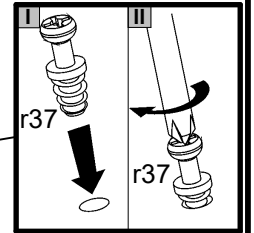
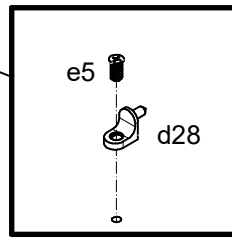
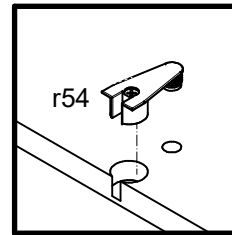
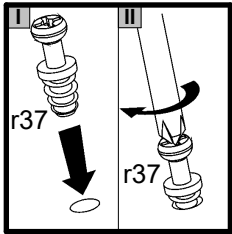
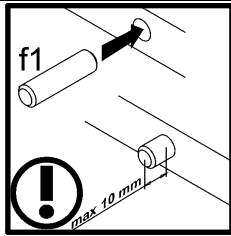


A	B	C (mm)		D
1	L37-002	2082	450	6/7
2	L37-003	2082	450	6/7
3	L37-004	1410	450	7/7
4	L37-005	1410	450	7/7
5	L37-016	904	220	4/7
6	L37-119	2248	565	1/7
7	L37-120	2248	565	1/7
8	L37-121	2248	565	2/7
9	L37-122	2248	565	2/7
10	L37-310	891	545	3/7
11	L37-311	965	549	3/7
12	L37-312	892	549	3/7
13	L37-313	965	565	1/7
14	L37-314	965	565	4/7
15	L37-315	892	565	2/7
16	L37-316	965	565	1/7
17	L37-317	965	565	4/7
18	L37-318	892	565	2/7
19	L37-571	2250	80	5/7
20	L37-572	1444	80	5/7
21	L37-578	1444	80	5/7
22	L37-903	2226	899	1/7
23	L37-904	2226	973	2/7
24	L37-905	865	505	4/7
25	ZS3-5601	784	140	4/7
26	ZS4-533	500	120	4/7
27	ZS4-534	500	120	4/7
28	dr-960	960	22	4/7



8x  a28	14x  a68	8x  b15	14x  b35	9x  c344I2	8x  d1	24x  d20	18x  d28	16x  e2	18x  e3	18x  e5	18x  e19	24x  e50
52x  f1	6x  f9	12x  f25	8x  f41	11x  k43	36x  l2	4x  n158	4x  p1	3x  p25	3x  p35	18x  p38	44x  p51	18x  p78
42x  r1	6x  r10	12x  r15	36x  r37	42x  r42	36x  r54	27x  s2	3x  t34	3x  w26\CL	3x  w26\CR	3x  w26\DL	3x  w26\DR	

1 



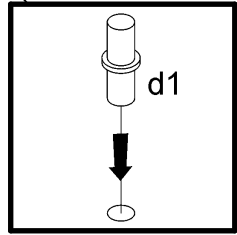
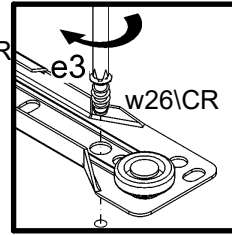
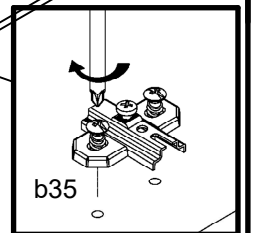
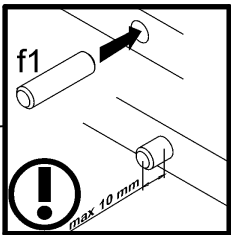
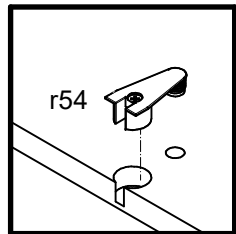
7

16

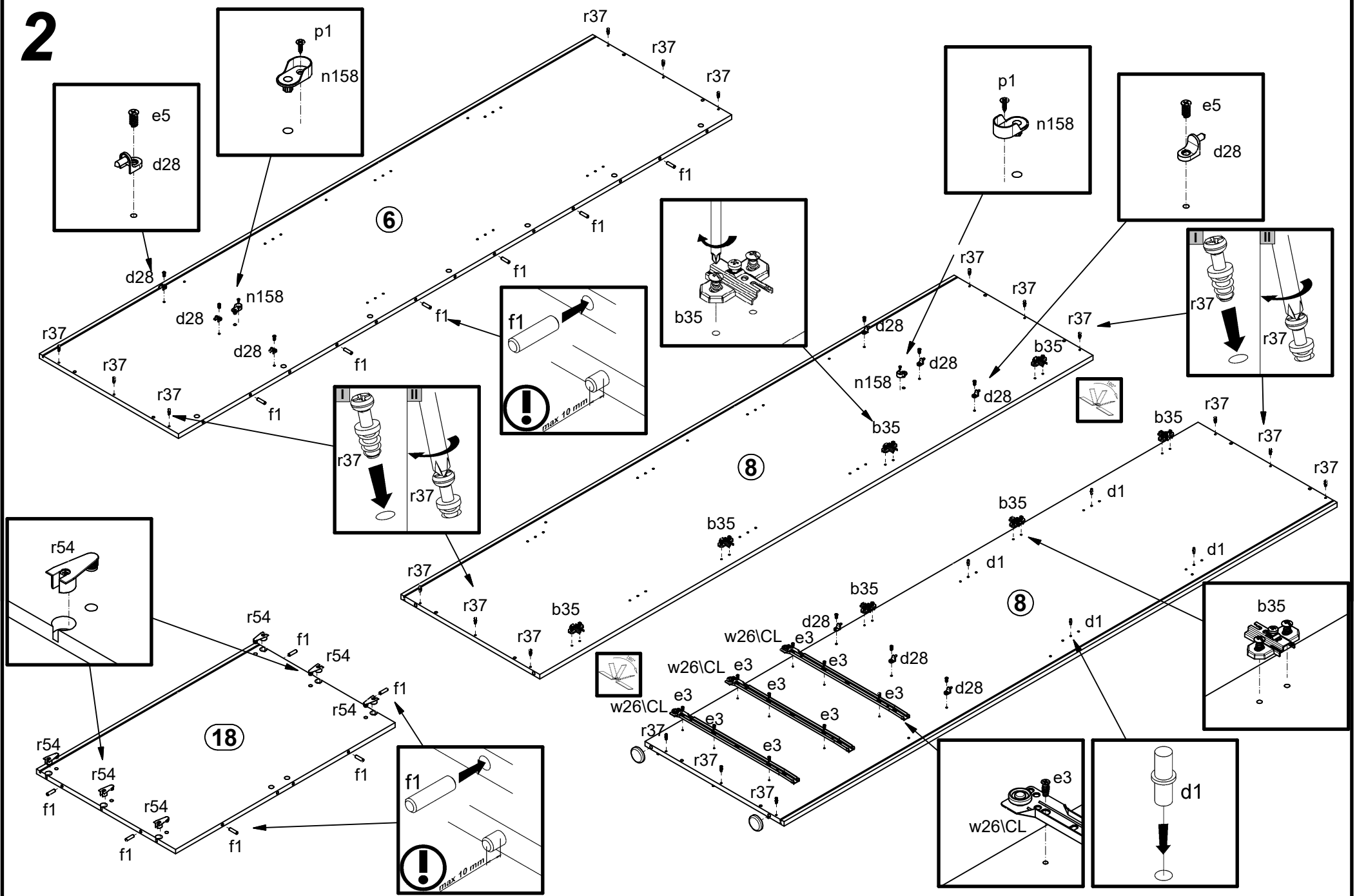
9

9

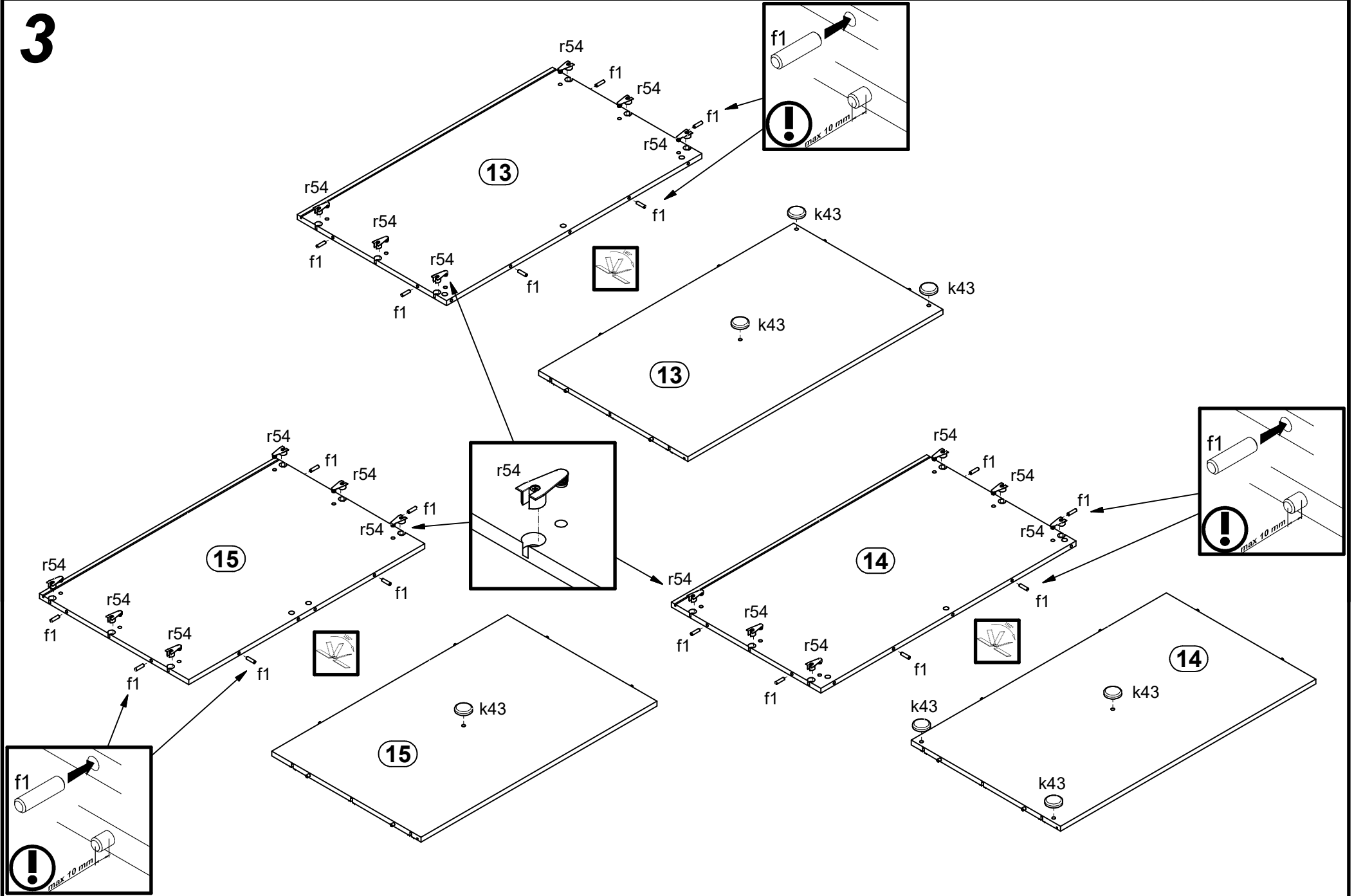
17



2

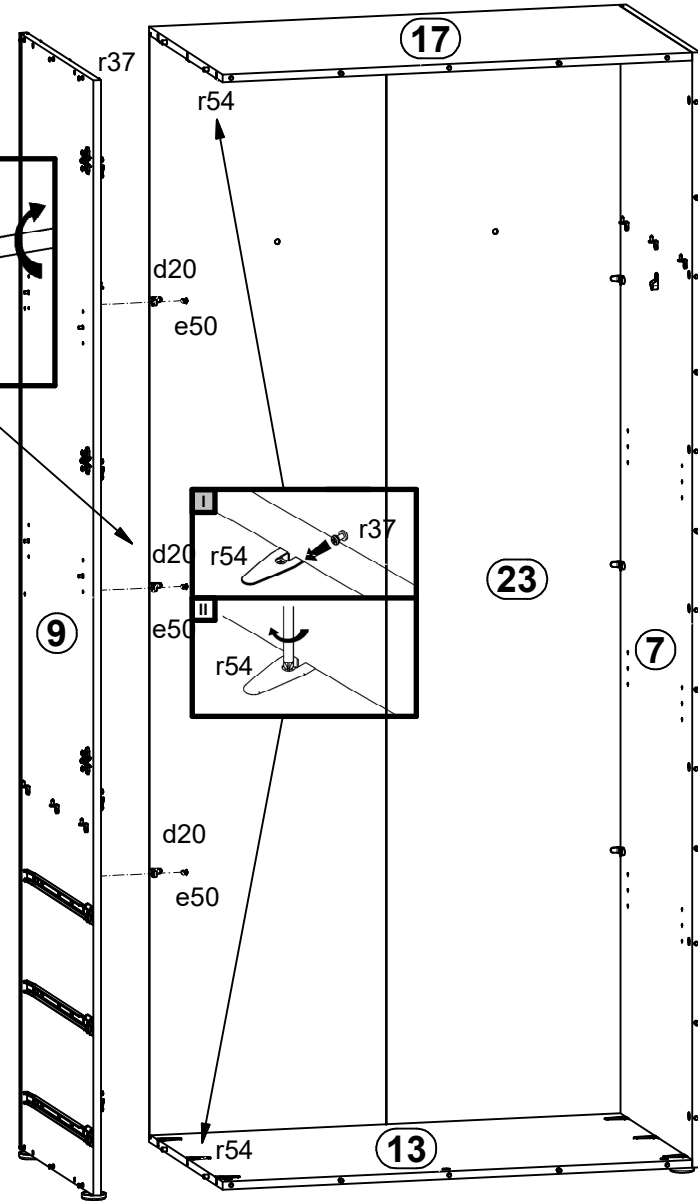
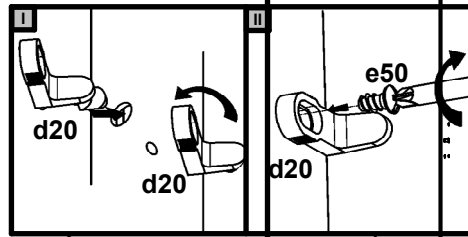
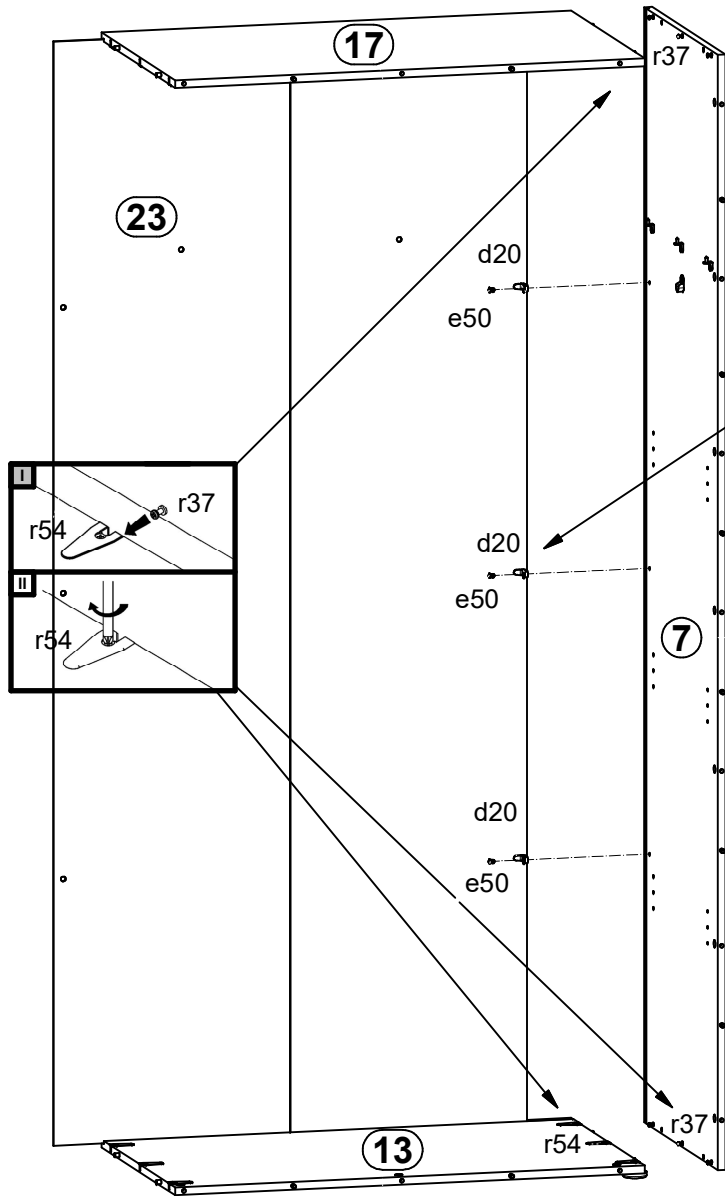


3

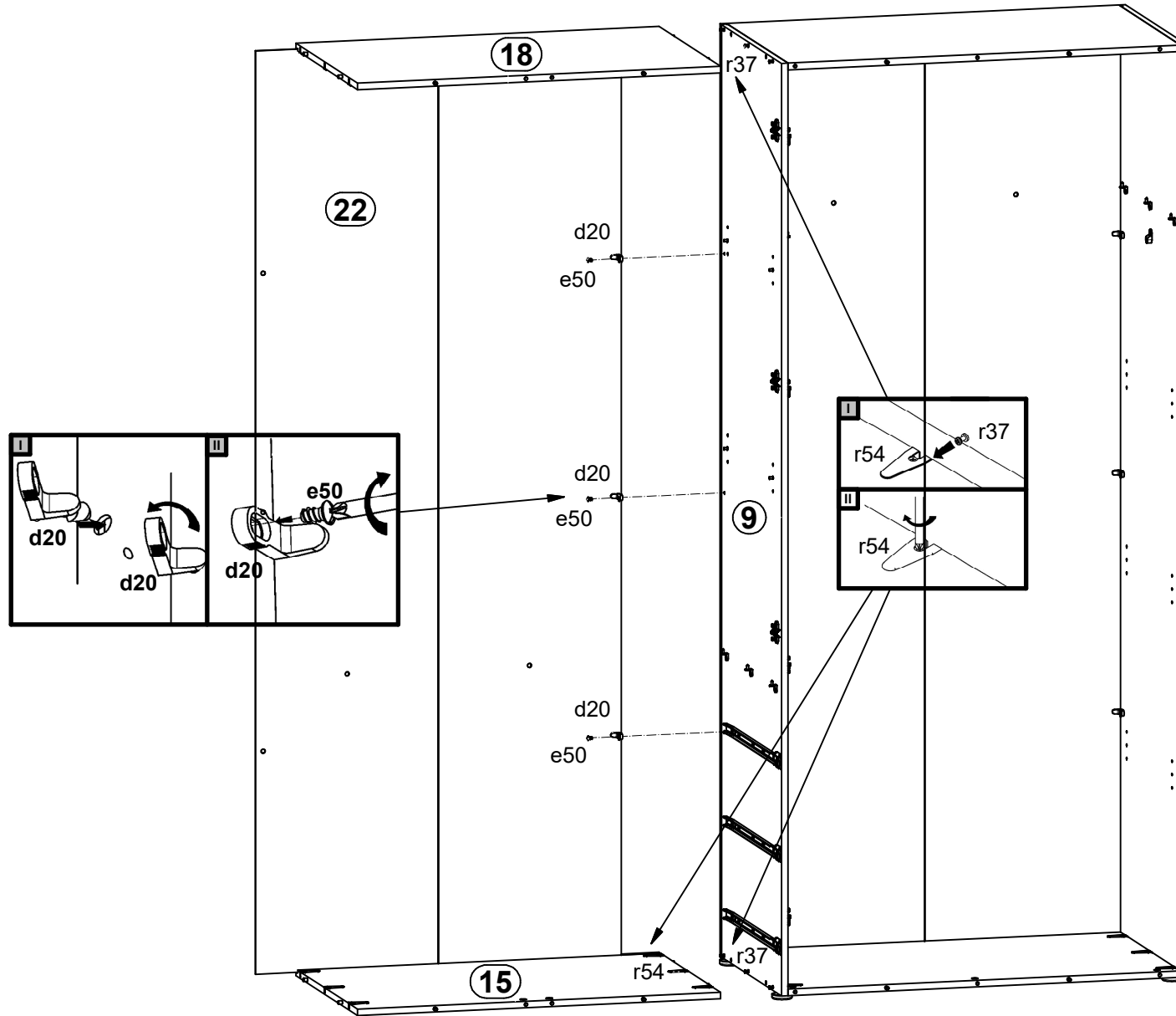


**4** 

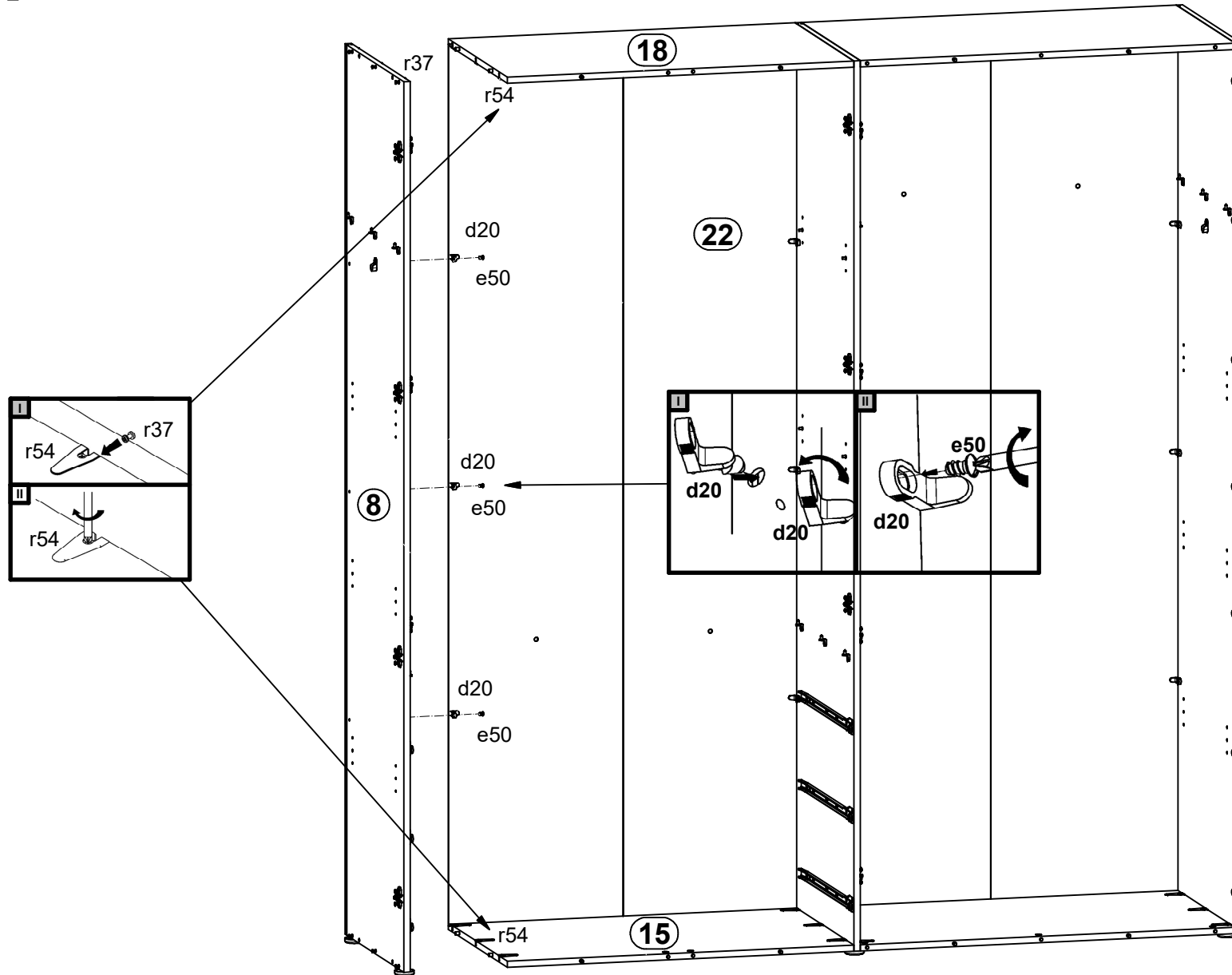
**5**



# 6

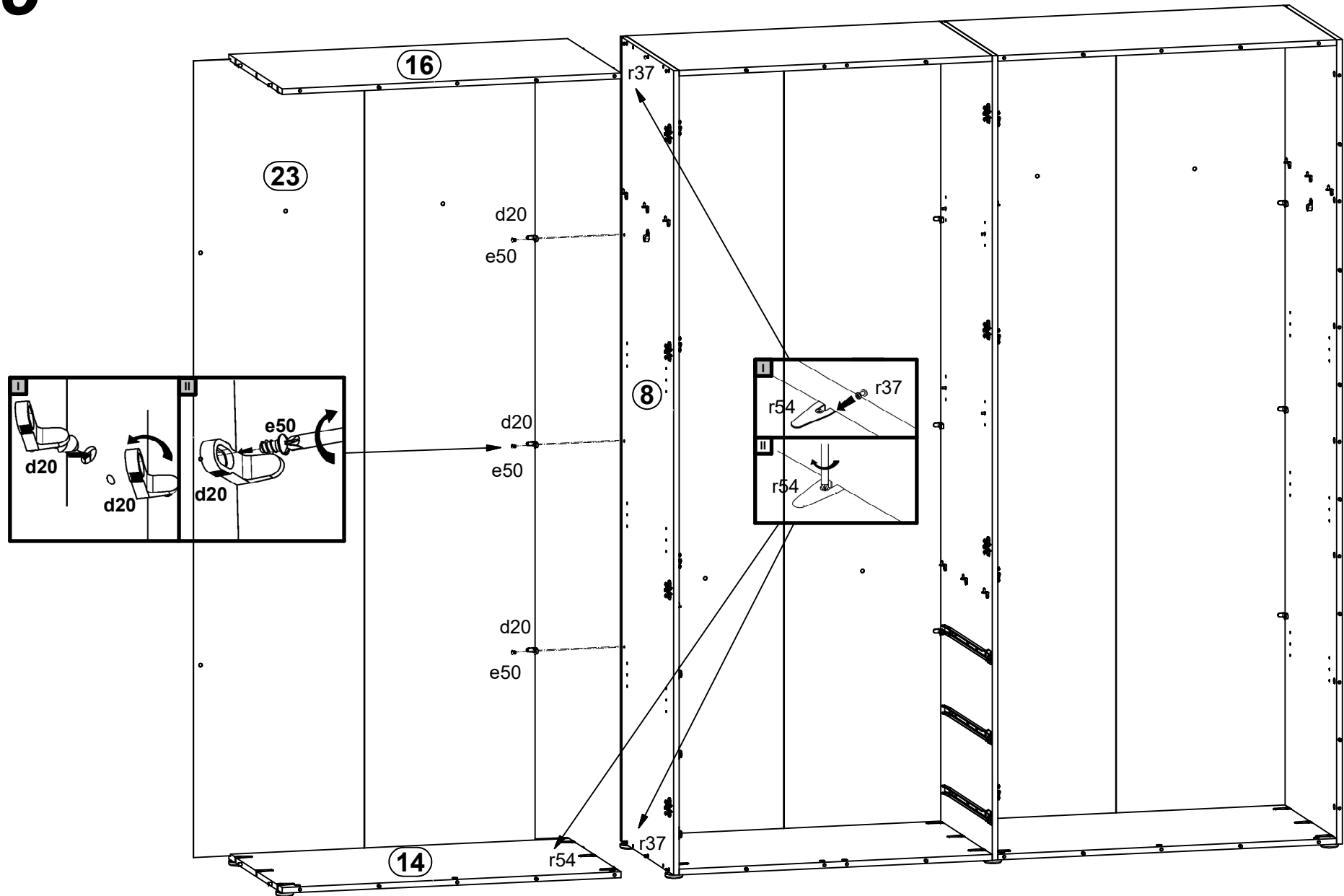


# 7

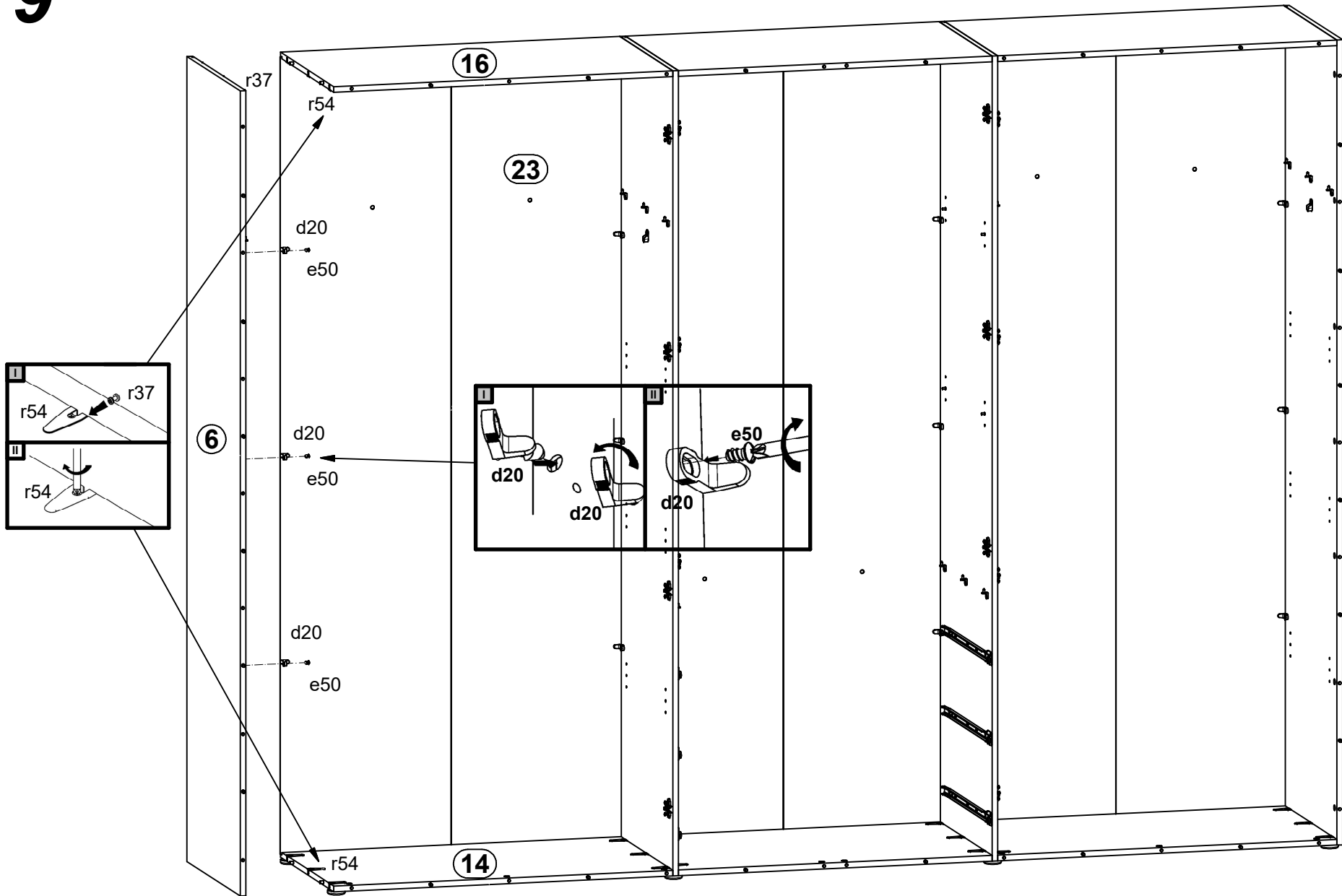




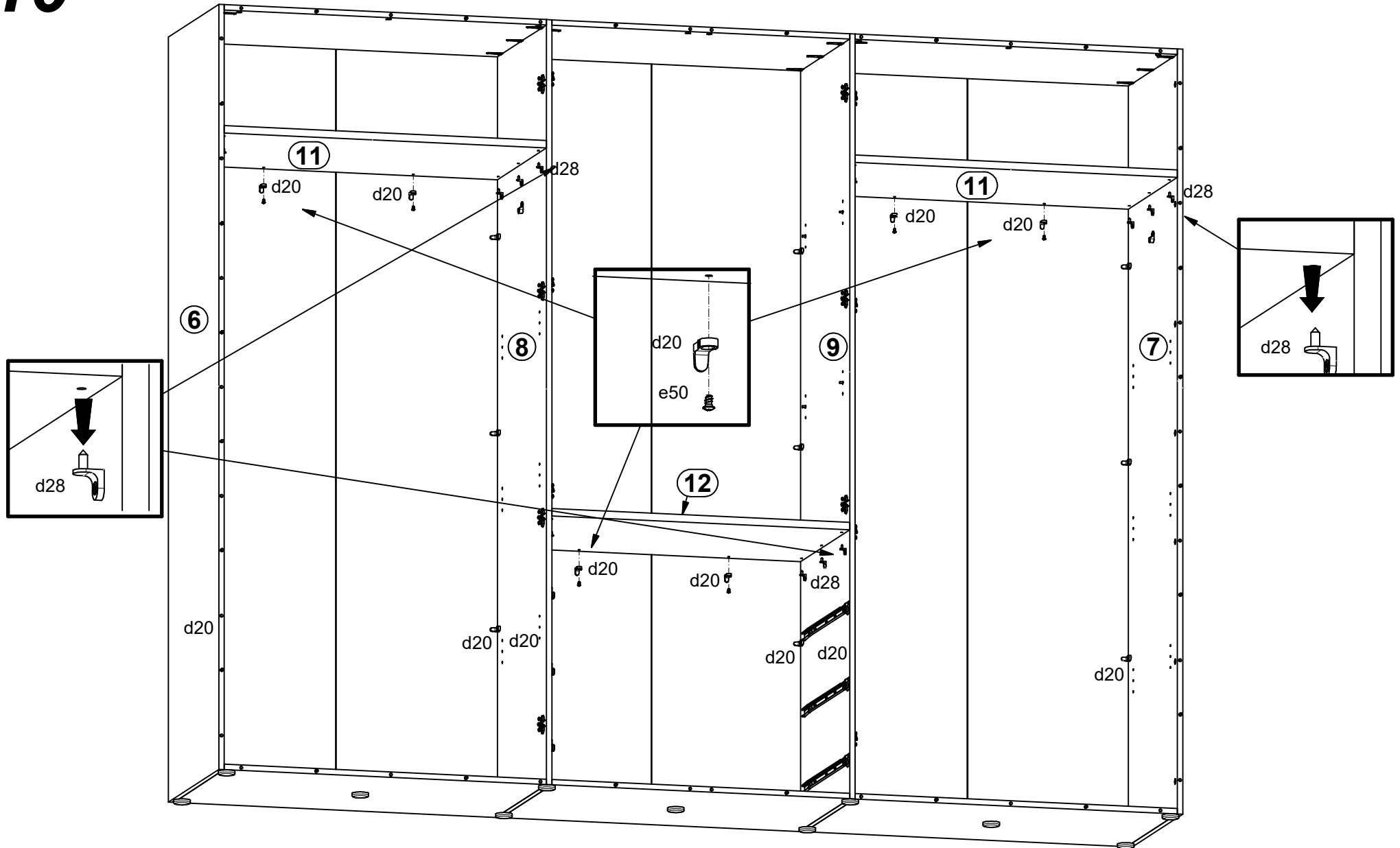
# 8



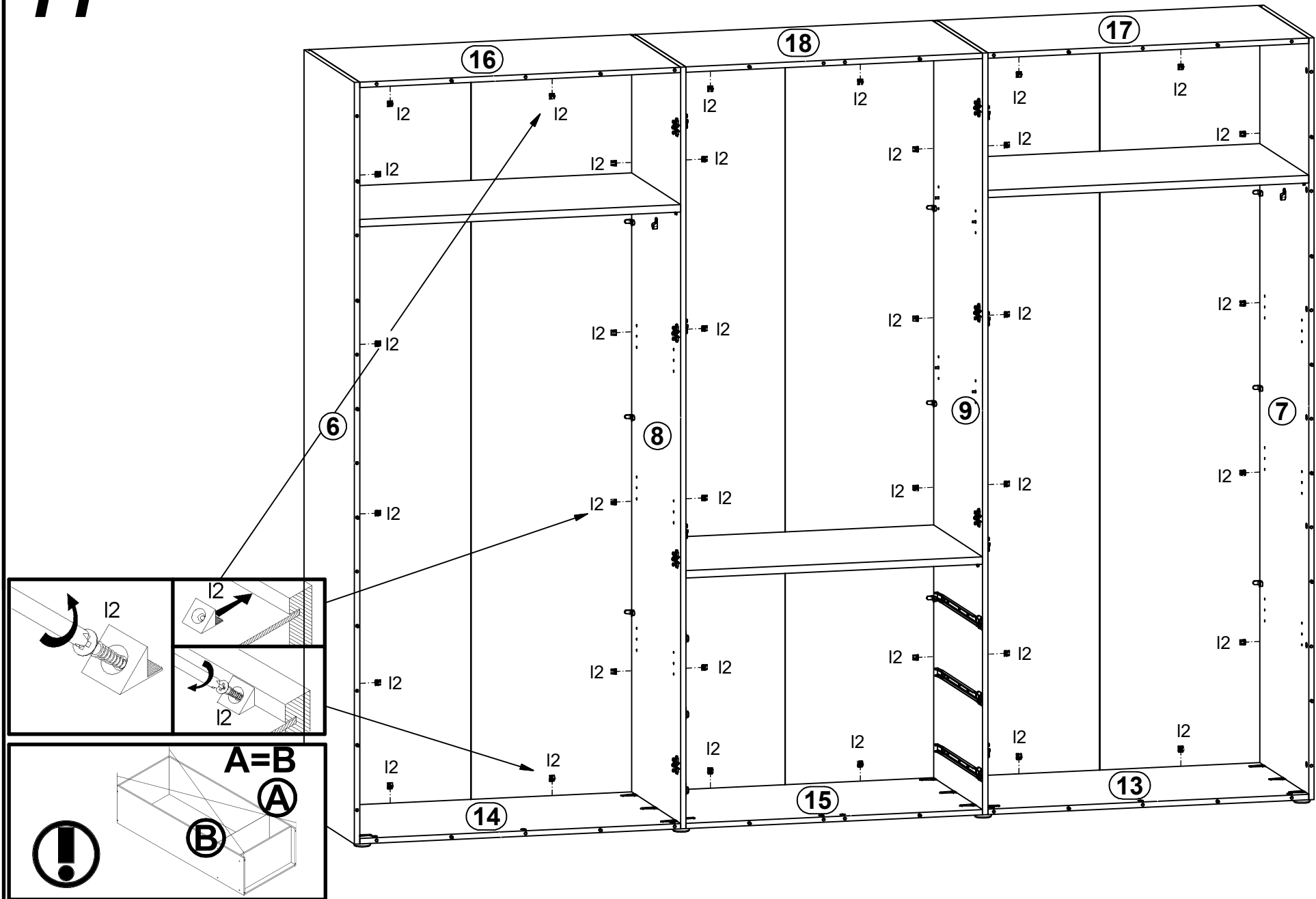
# 9



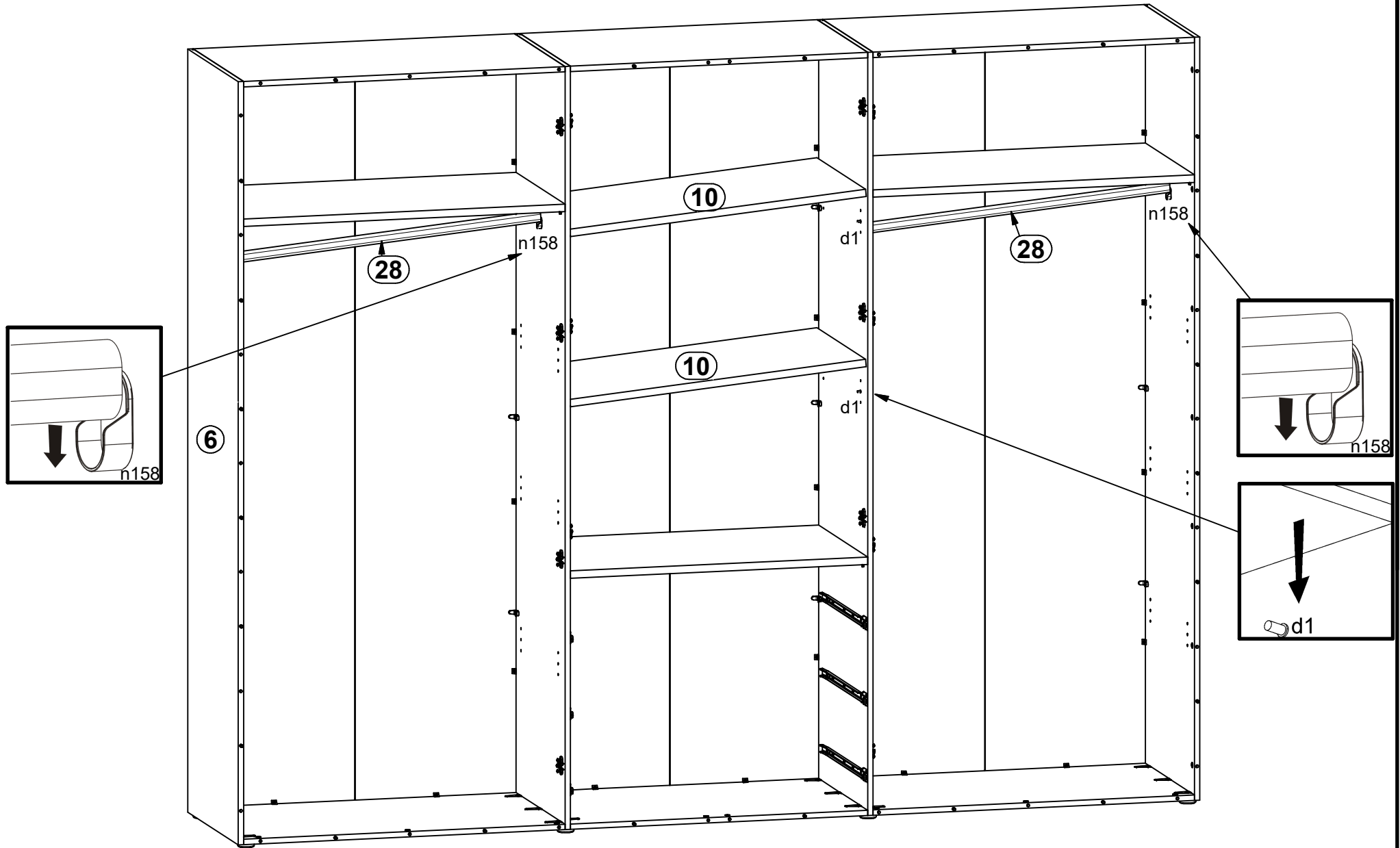
# 10



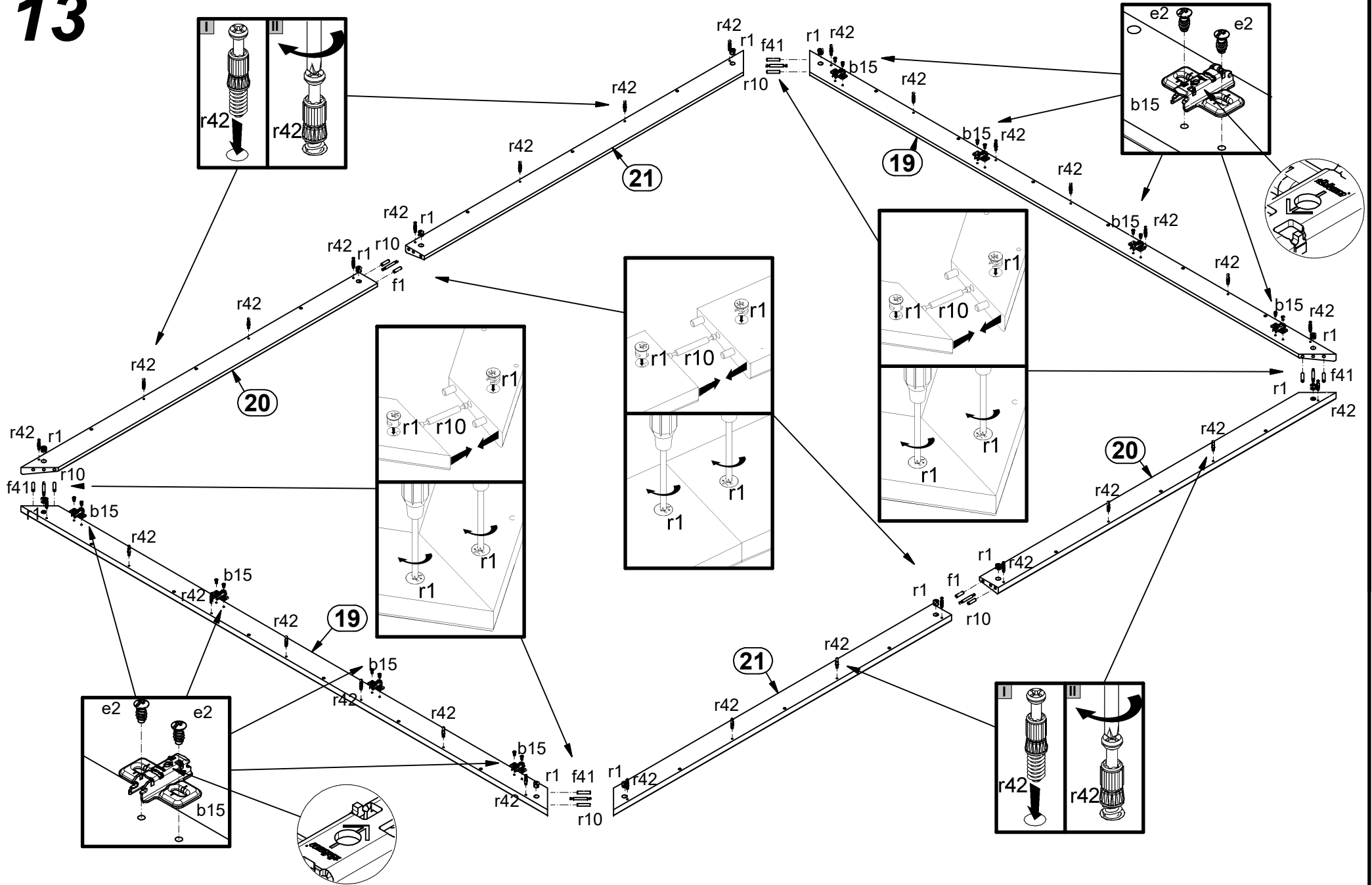
# 11



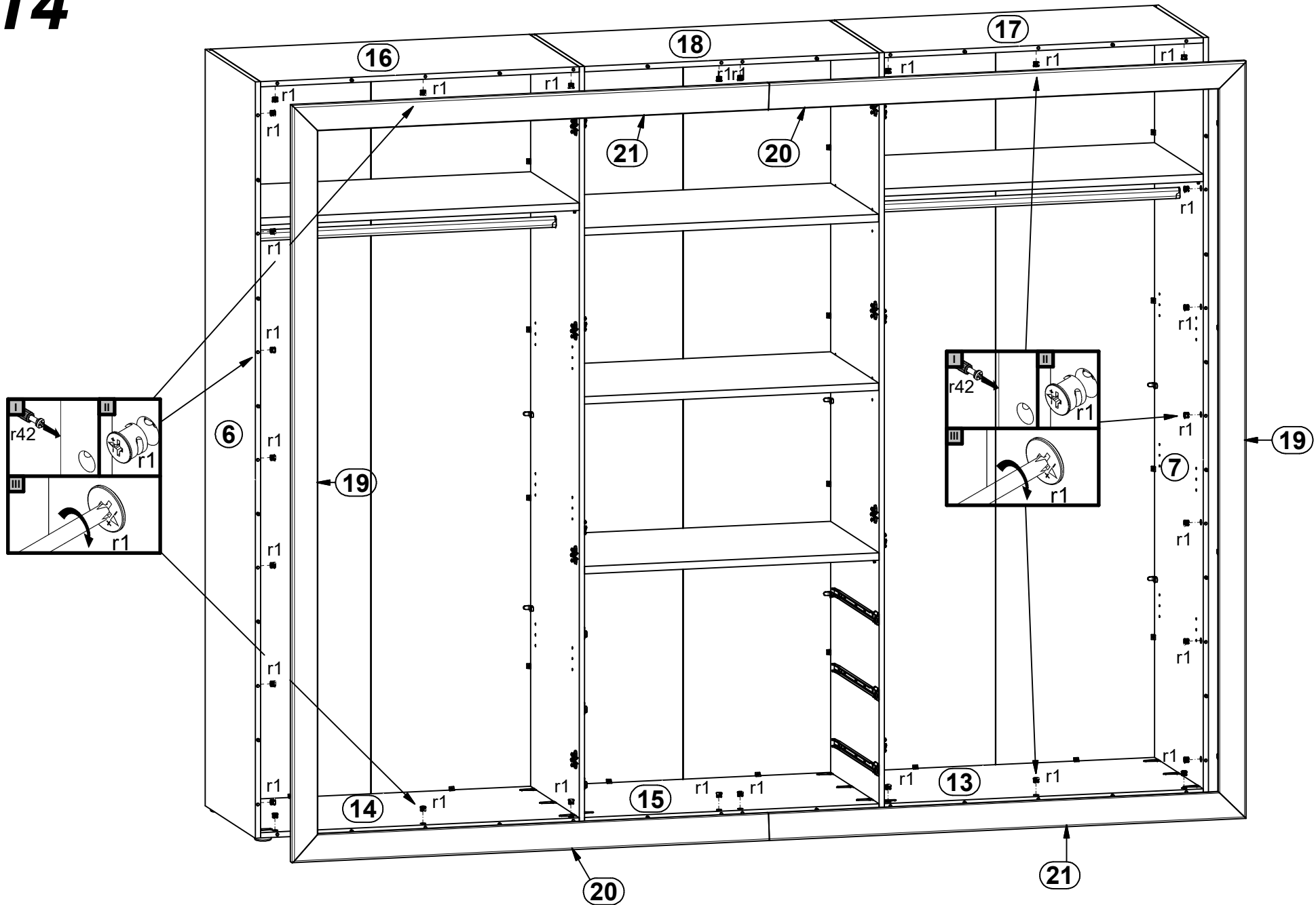
# 12



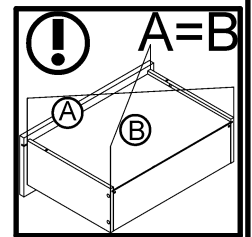
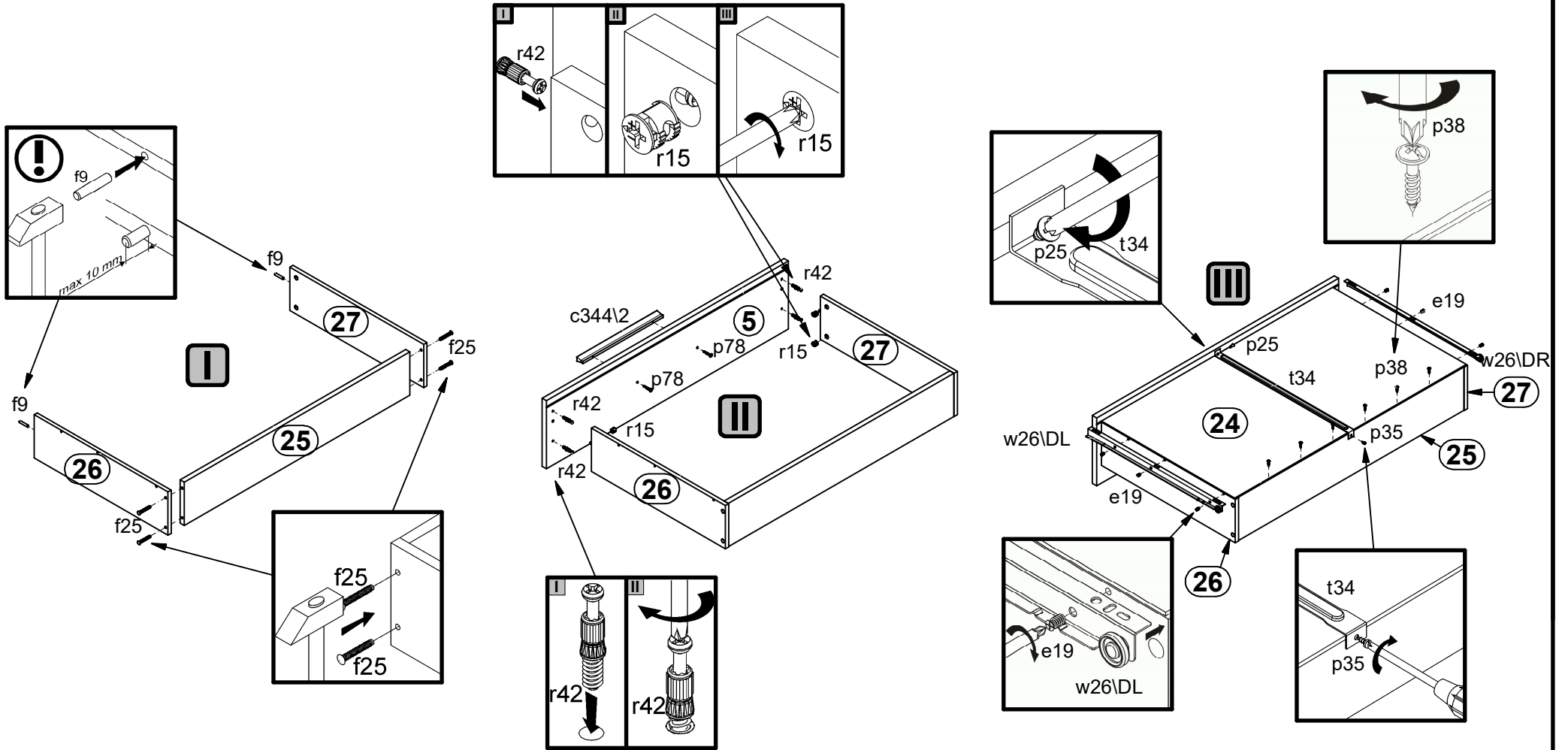
# 13



# 14

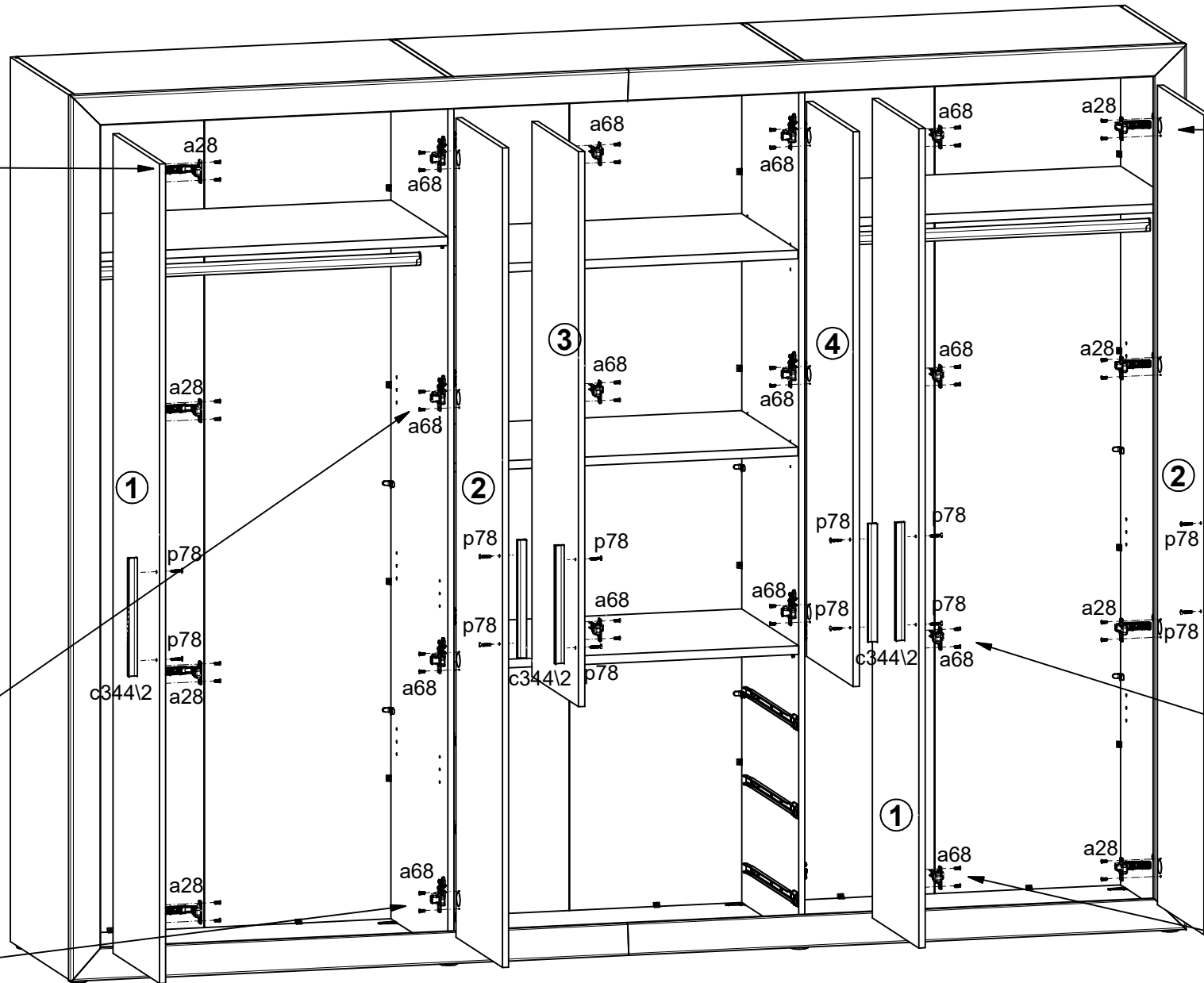
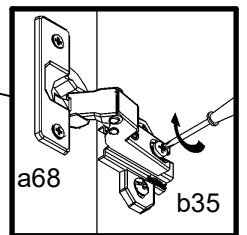
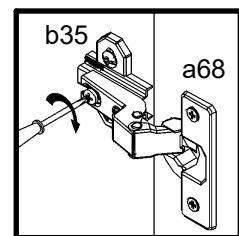
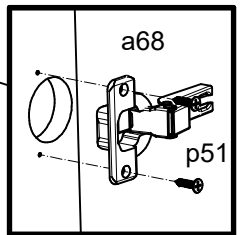
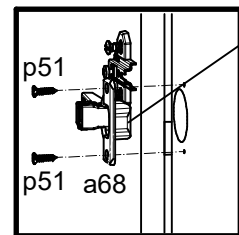
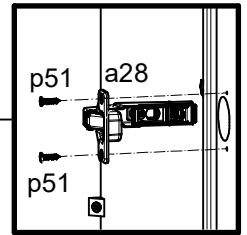
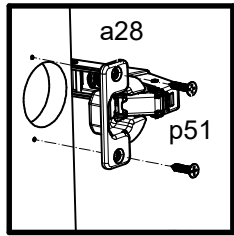


# 15





# 16



# 17

