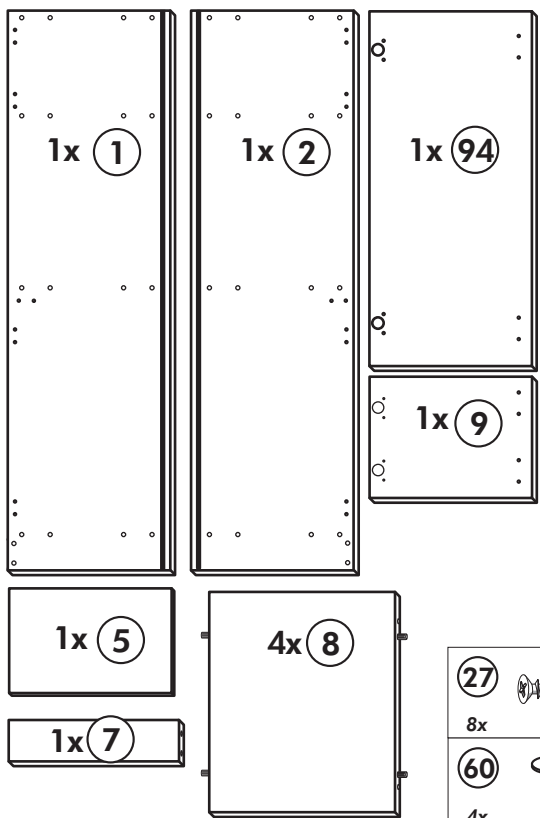
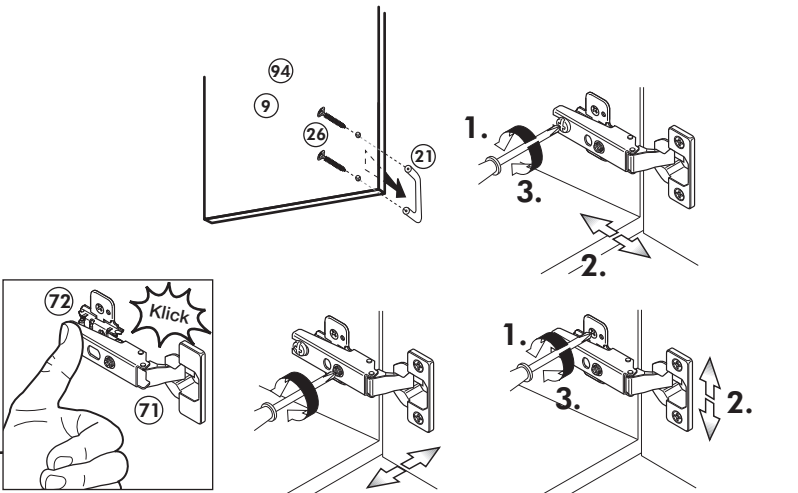
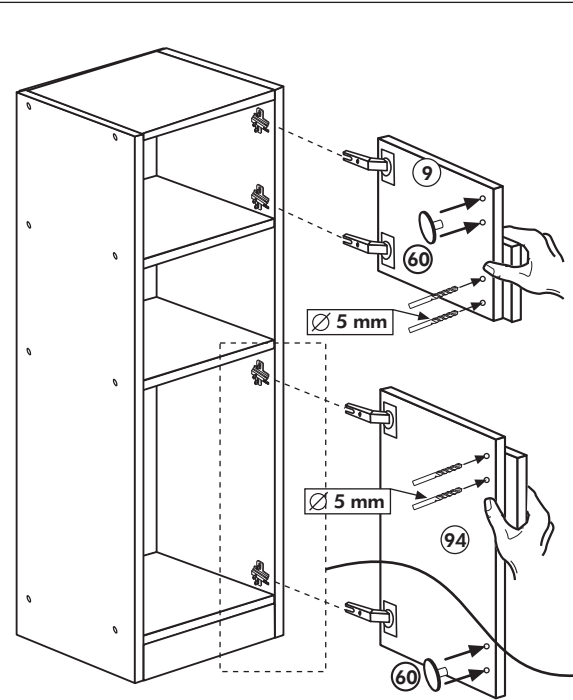
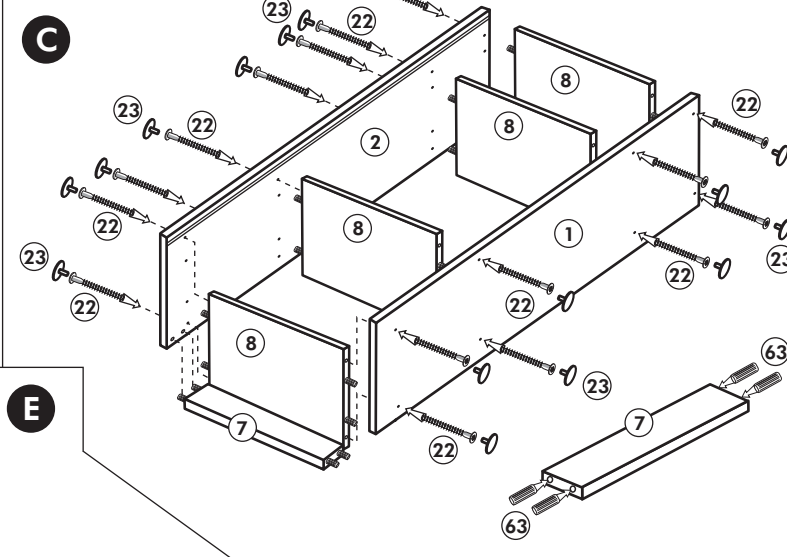
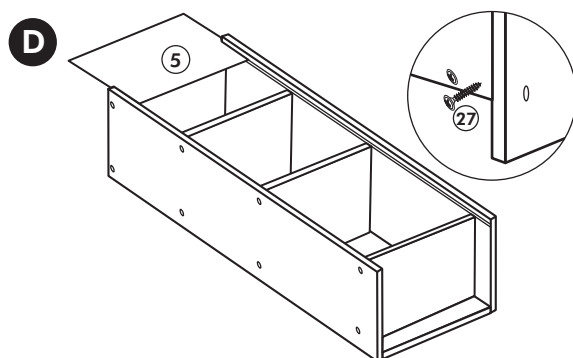
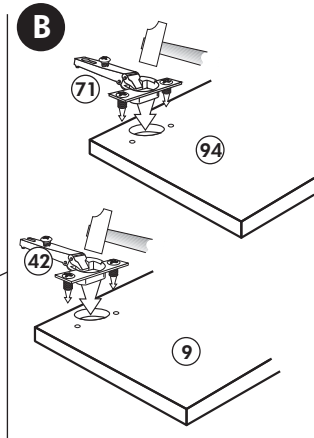
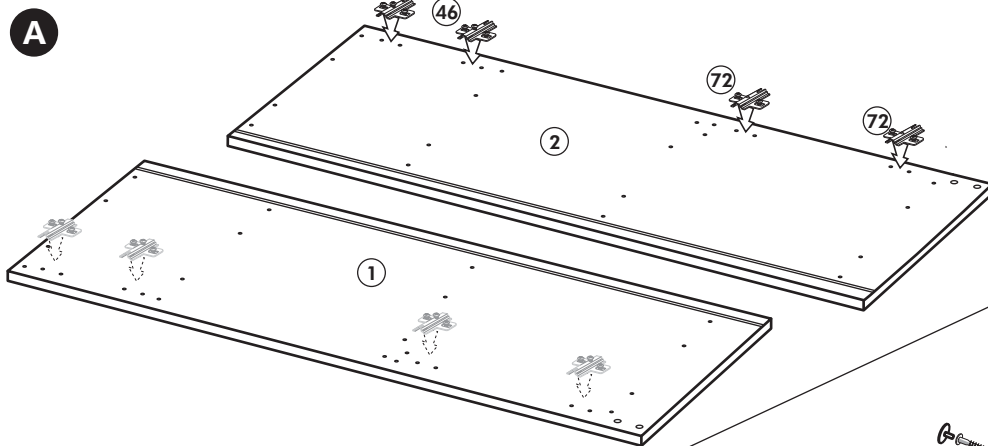
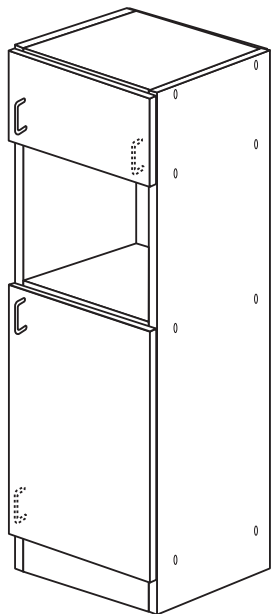
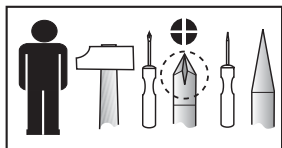


Back.-Kühlumbau 200cm

Nr. 312 Rev.00



- | | | |
|-----------|--|----------------|
| 22 | | 16x |
| 23 | | 16x Ø 3 |
| 26 | | 4x 4,0 x 30 M4 |
| 72 | | 2x |
| 63 | | 4x 8 x 30 |
| 71 | | 2x |
| 42 | | 2x |
| 27 | | 8x 3,0 x 20 |
| 46 | | 2x |
| 60 | | 4x Ø 5 |
| 21 | | 2x |