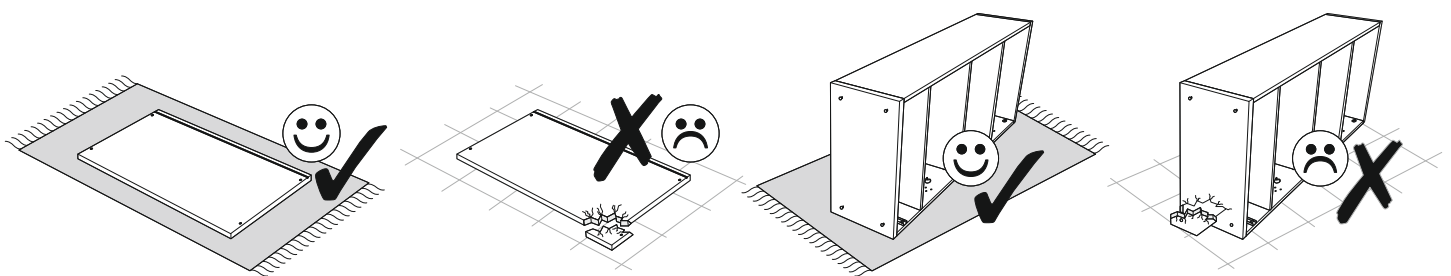
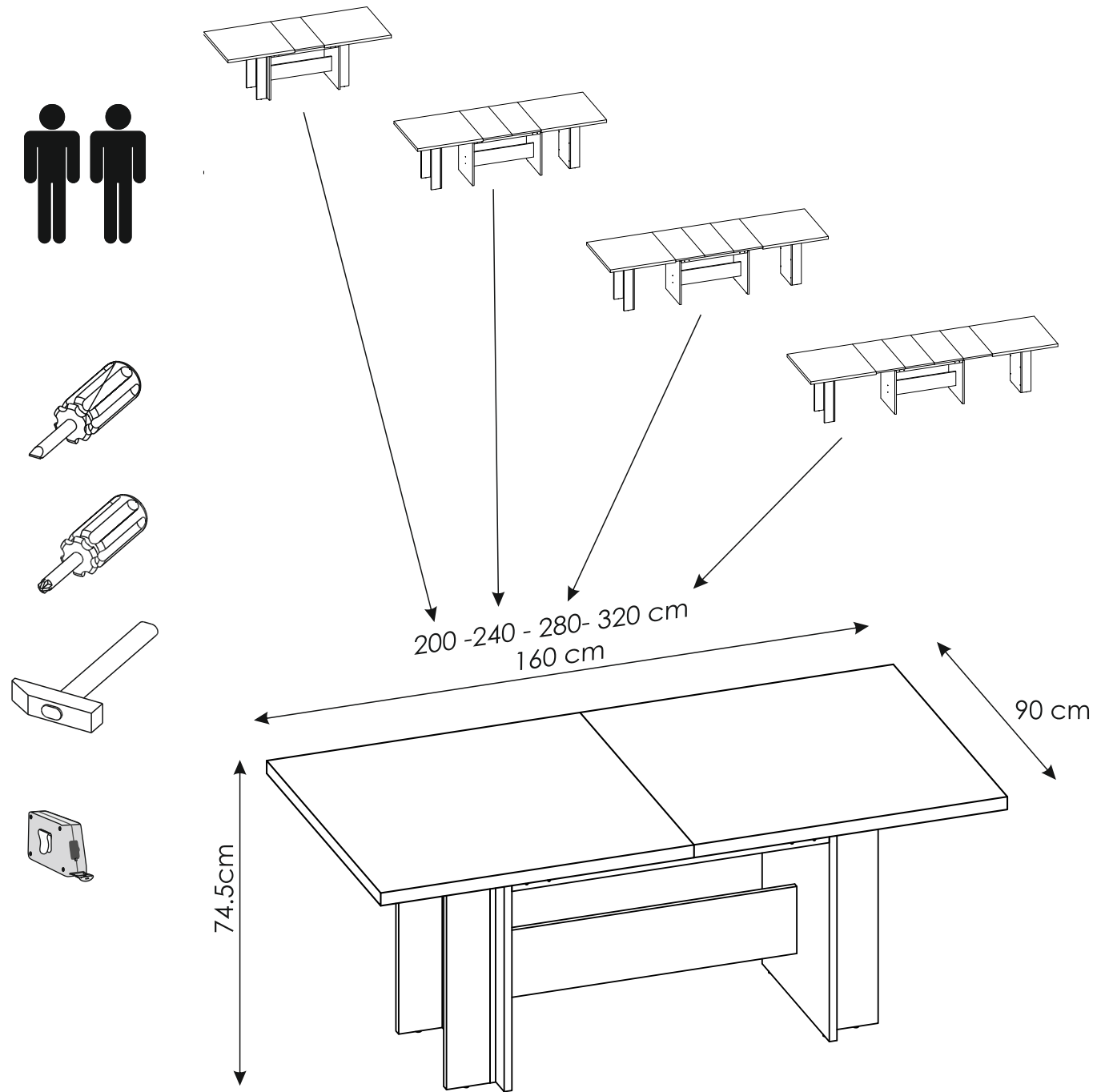
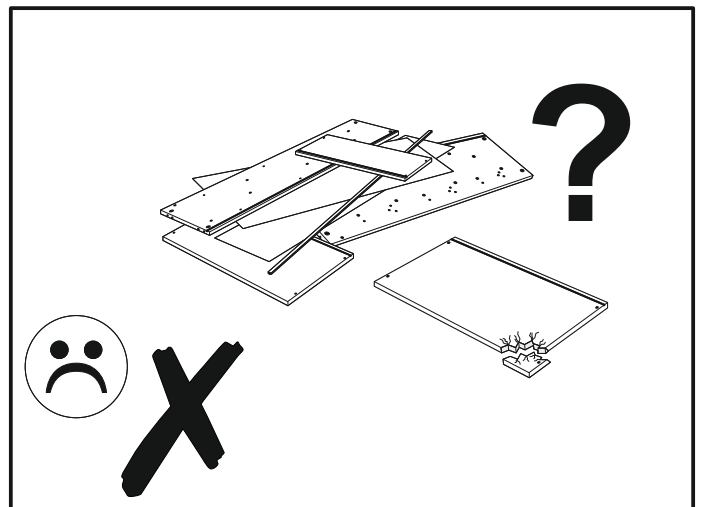
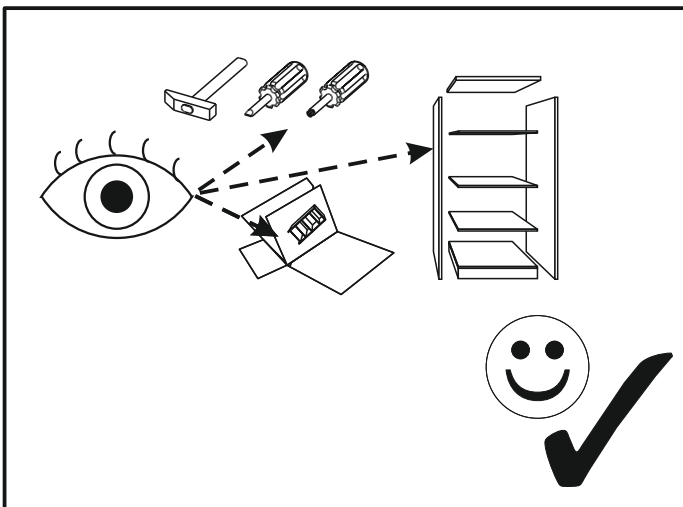
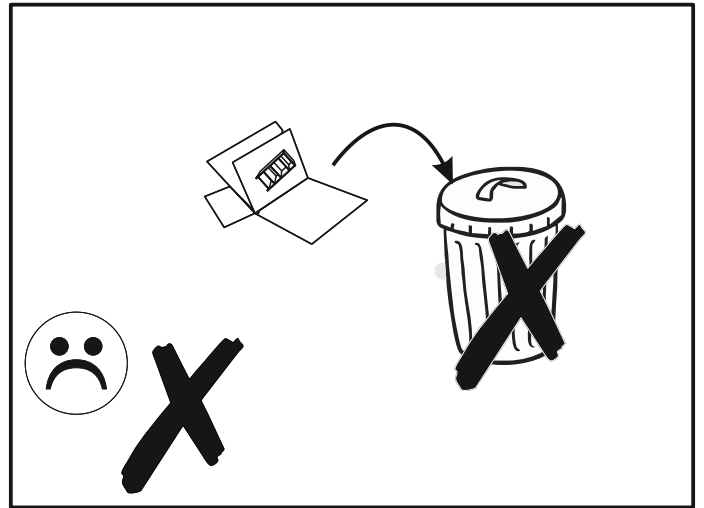
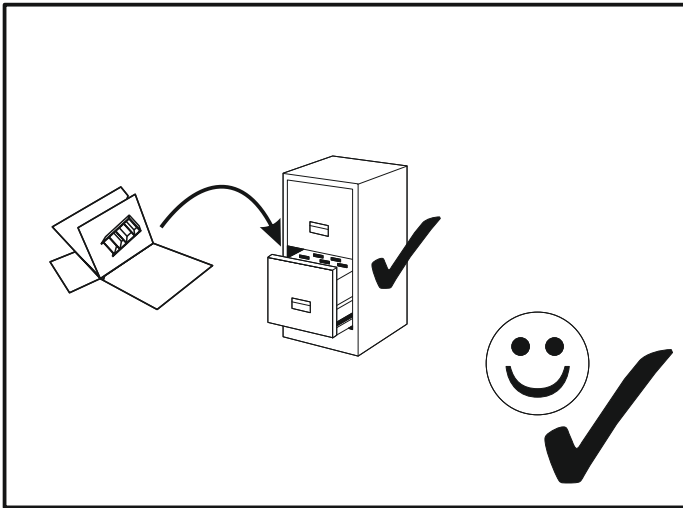
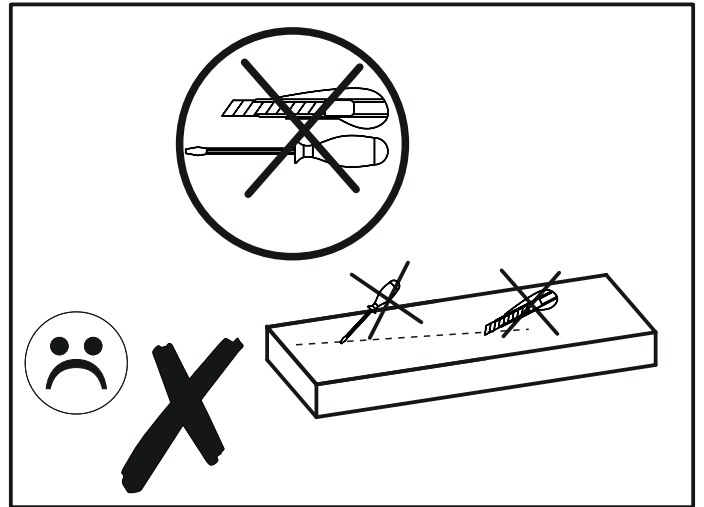
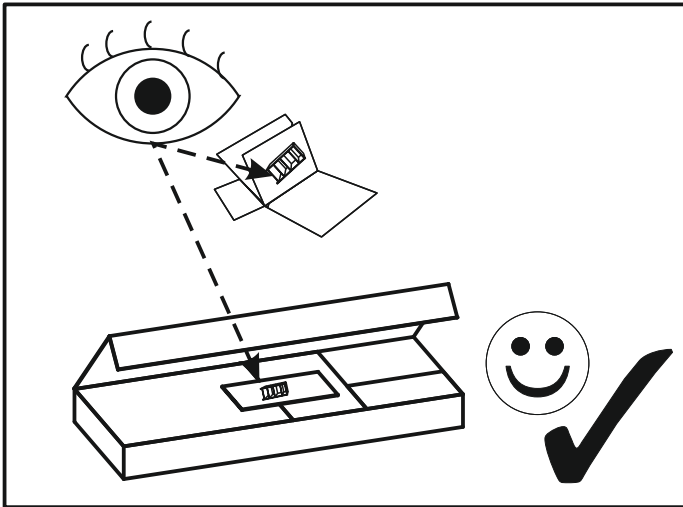
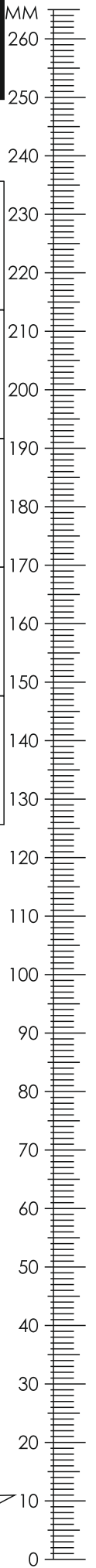


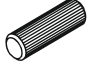

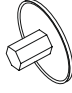

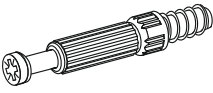

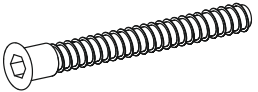

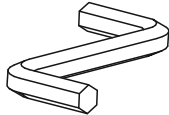
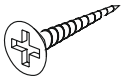
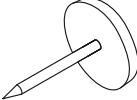


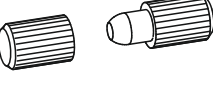
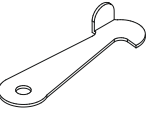

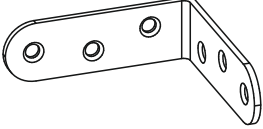
# LIA II

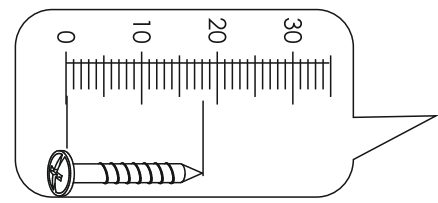




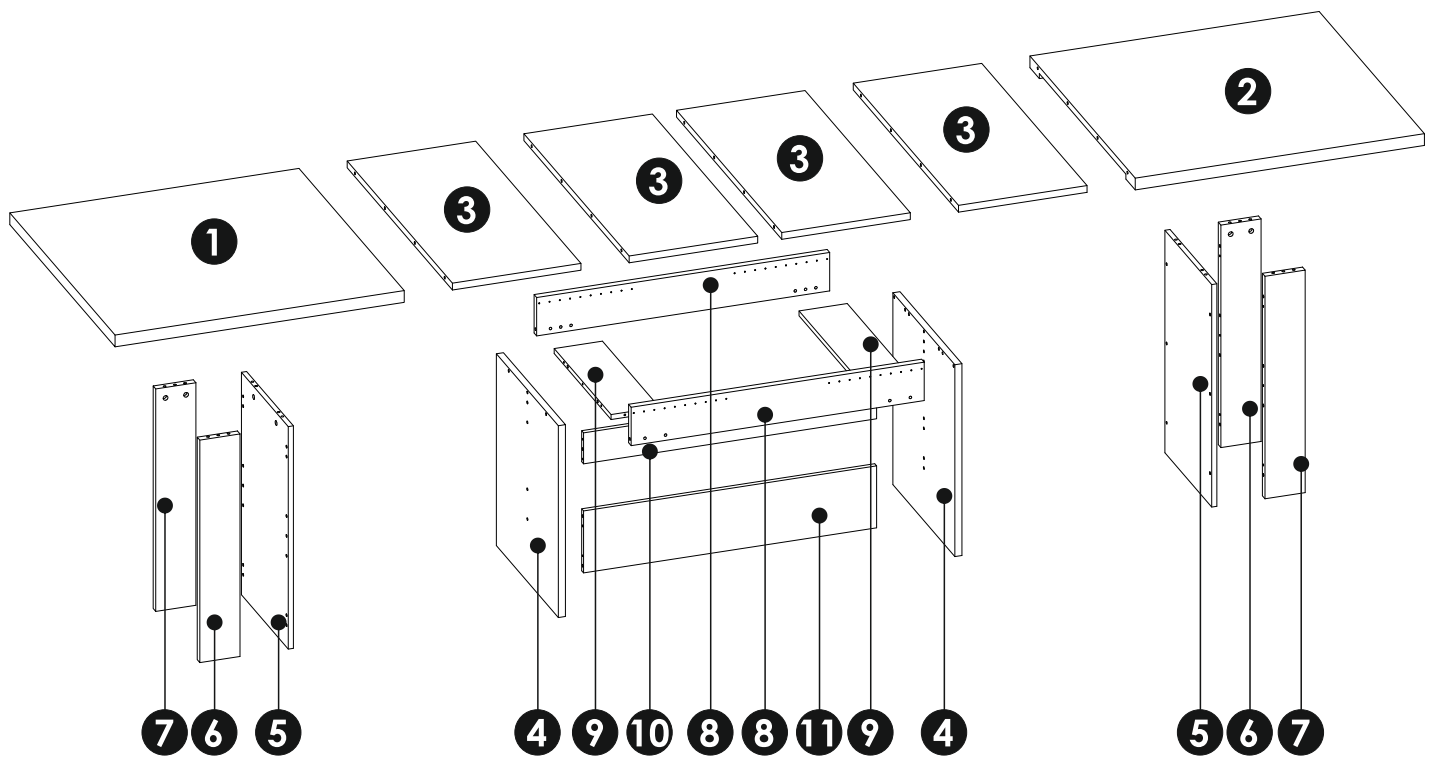
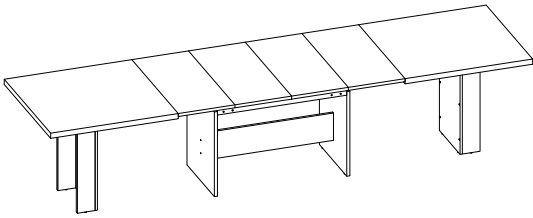
# LIA II



<b>A1</b> 8 x 35 mm x42 	<b>C2</b> 5 x 13 mm x68 	<b>E0</b> x12 
<b>E1</b> 15 x 12 mm x12 	<b>F1</b> 6 x 34 mm x12 	<b>G1</b> 7 x 50 mm x12 
<b>G2</b> 7 x 60 mm x22 	<b>I2</b> 4 x 16 mm x32 	<b>M</b> x1 
<b>N2</b> 3.5 X 16 mm x48 	<b>O2</b> x12 	<b>O2A</b> Ø10 x4 
<b>P16</b> x34 	<b>R8</b> x20 	<b>S19</b> x2 
<b>T12</b> x4 	<b>W</b> x8 	



# LIA II



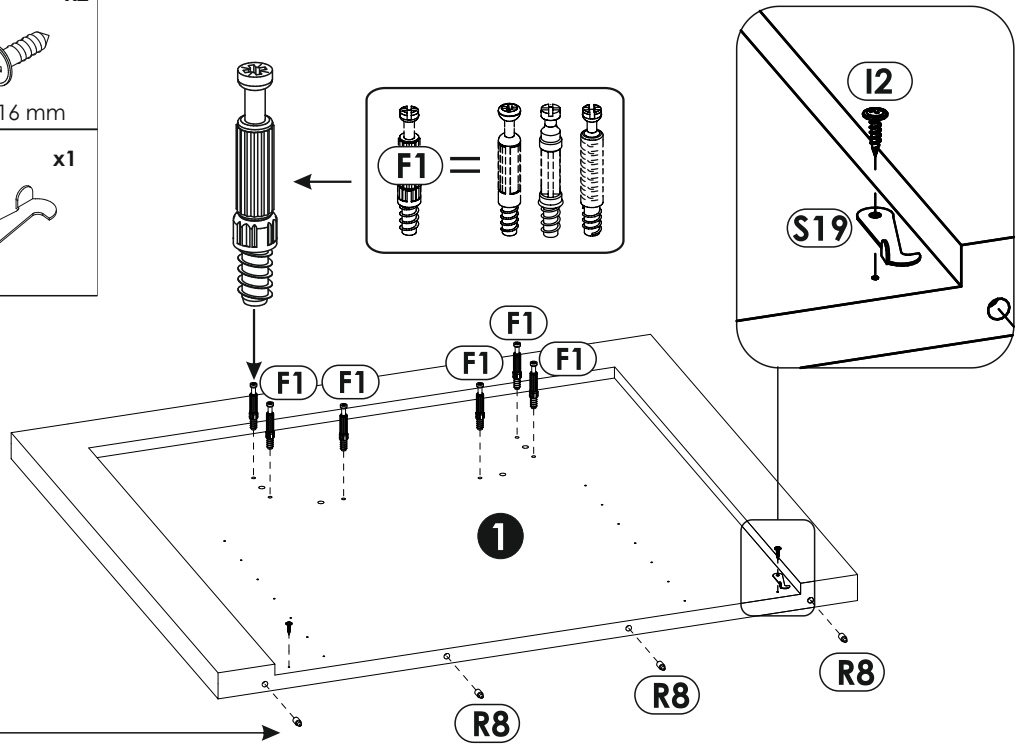
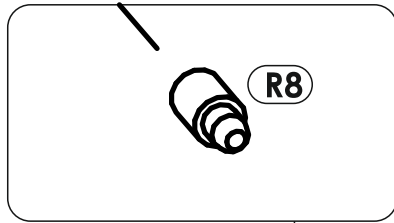
<b>1</b>	900	800	38	x1	2/3
<b>2</b>	900	800	38	x1	2/3
<b>3</b>	900	400	22	x4	3/3

<b>4</b>	619	530	22	x2	1/3
<b>5</b>	718	400	16	x2	1/3
<b>6</b>	718	125	22	x2	1/3
<b>7</b>	718	125	22	x2	1/3

<b>8</b>	124	912	22	x2	1/3
<b>9</b>	486	150	16	x2	1/3
<b>10</b>	100	912	16	x1	1/3
<b>11</b>	200	912	16	x1	1/3

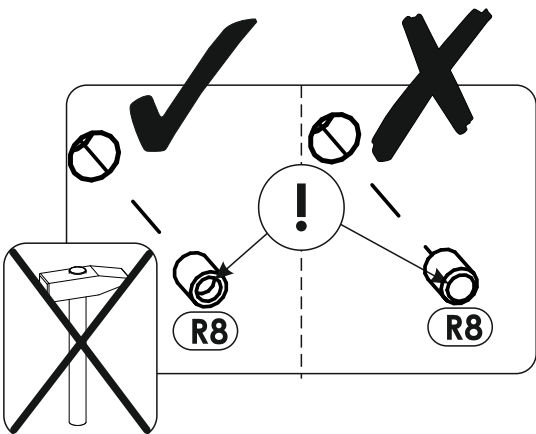
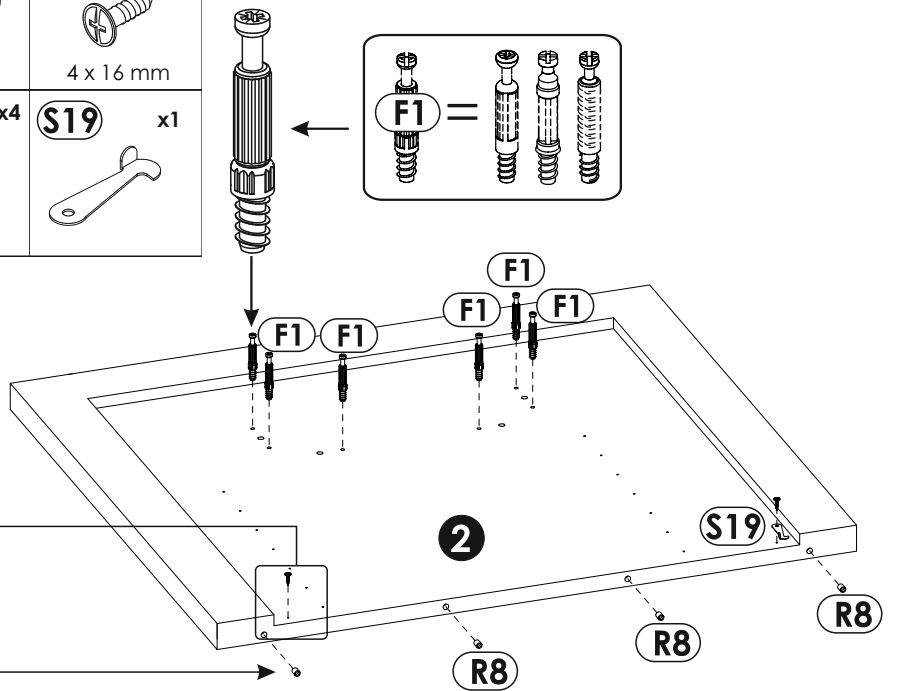
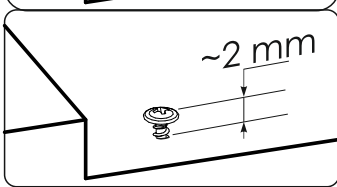
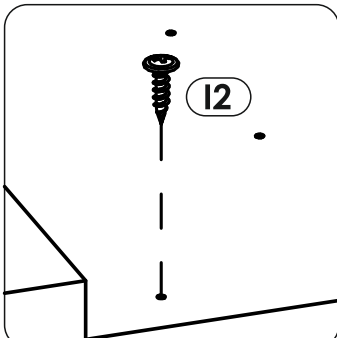
1 ▶

<b>F1</b> x6 6 x 34 mm	<b>I2</b> x2 4 x 16 mm
<b>R8</b> x4	<b>S19</b> x1






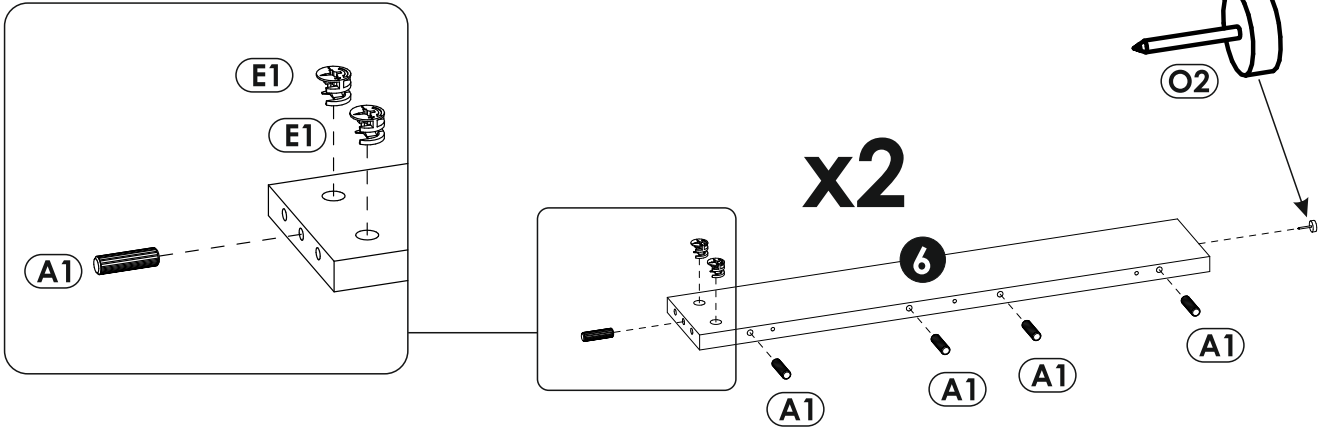
2 ▶

<b>F1</b> x6 6 x 34 mm	<b>I2</b> x2 4 x 16 mm
<b>R8</b> x4	<b>S19</b> x1

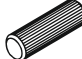




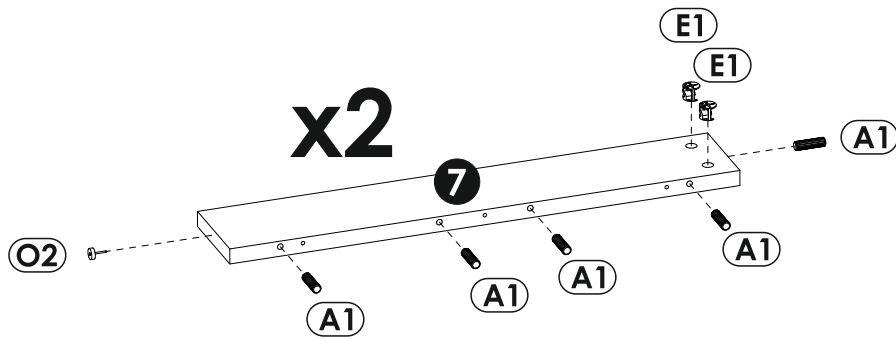
3 ▶

<b>A1</b> x10  8 x 35 mm	<b>E1</b> x4  15 x 12 mm	<b>O2</b> x2 
---	---	---

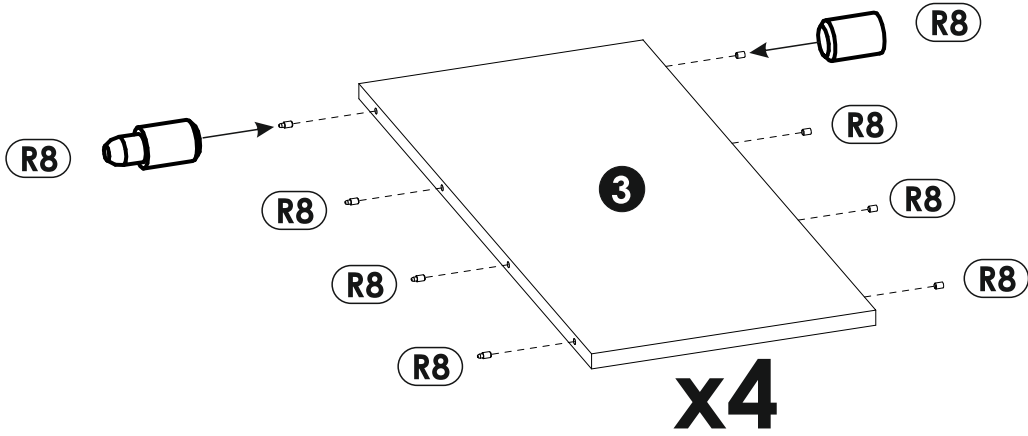
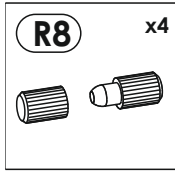


4 ▶

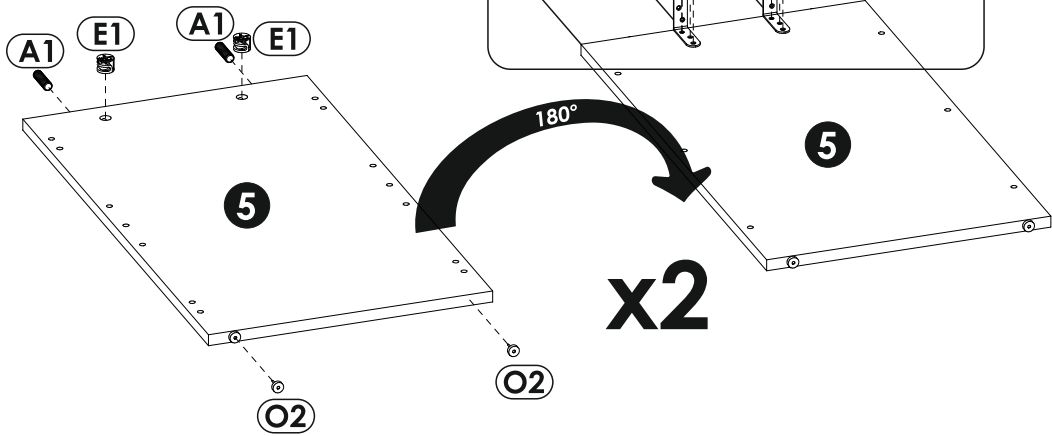
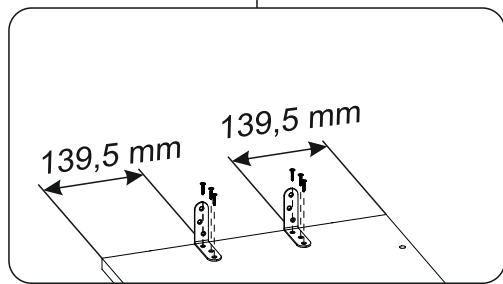
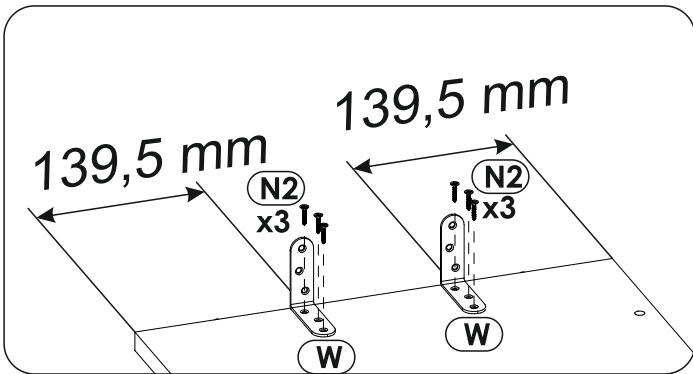
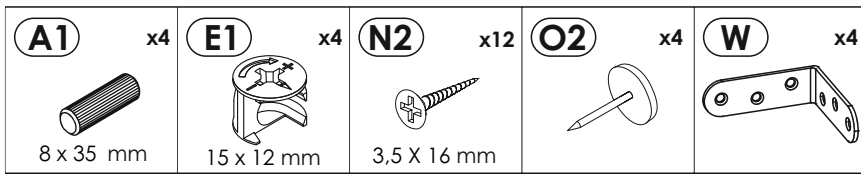
<b>A1</b> x10  8 x 35 mm	<b>E1</b> x4  15 x 12 mm	<b>O2</b> x2 
---	---	---

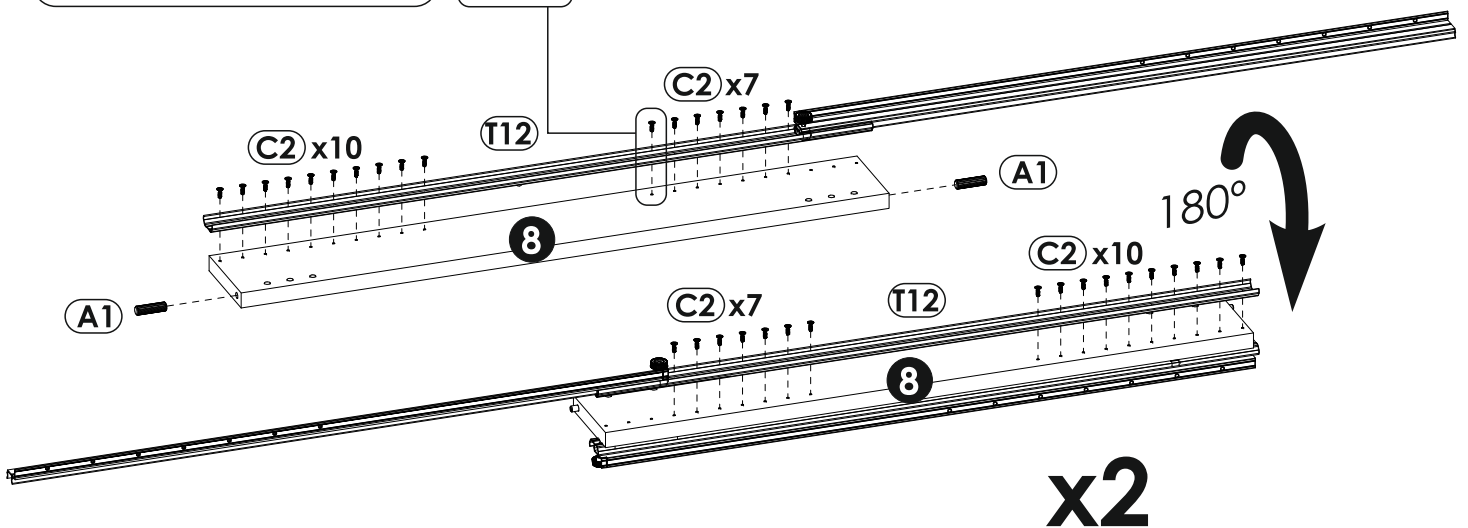
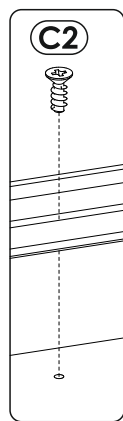
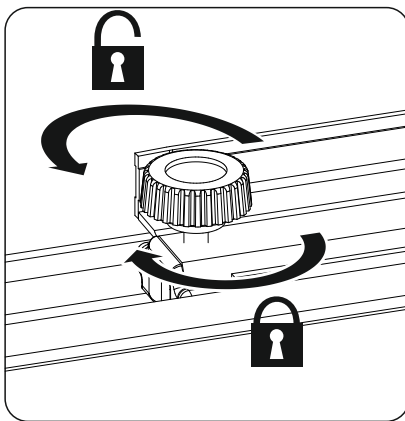
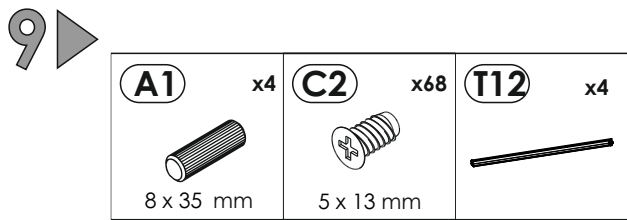
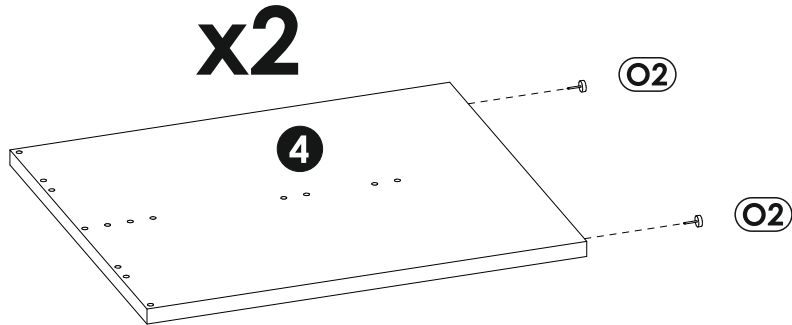
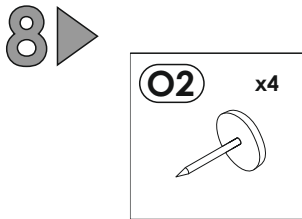
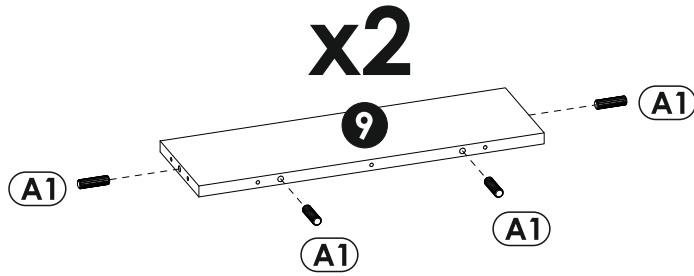
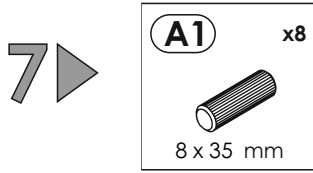


5 ▶



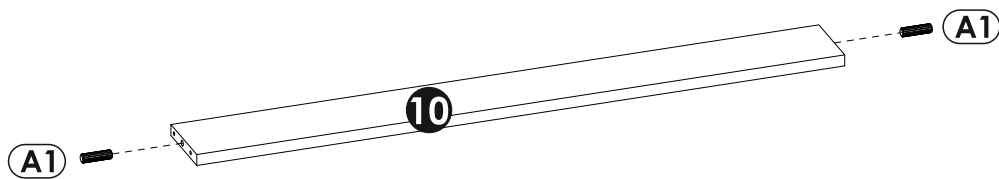
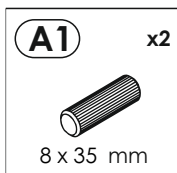
6 ▶



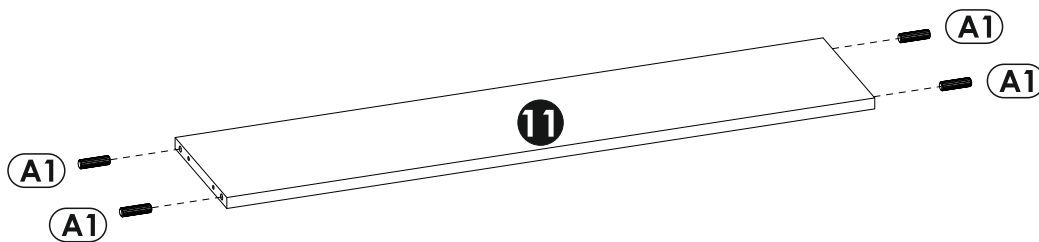
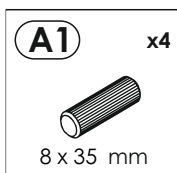




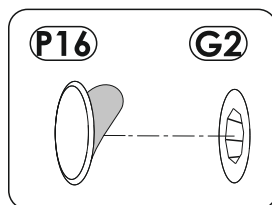
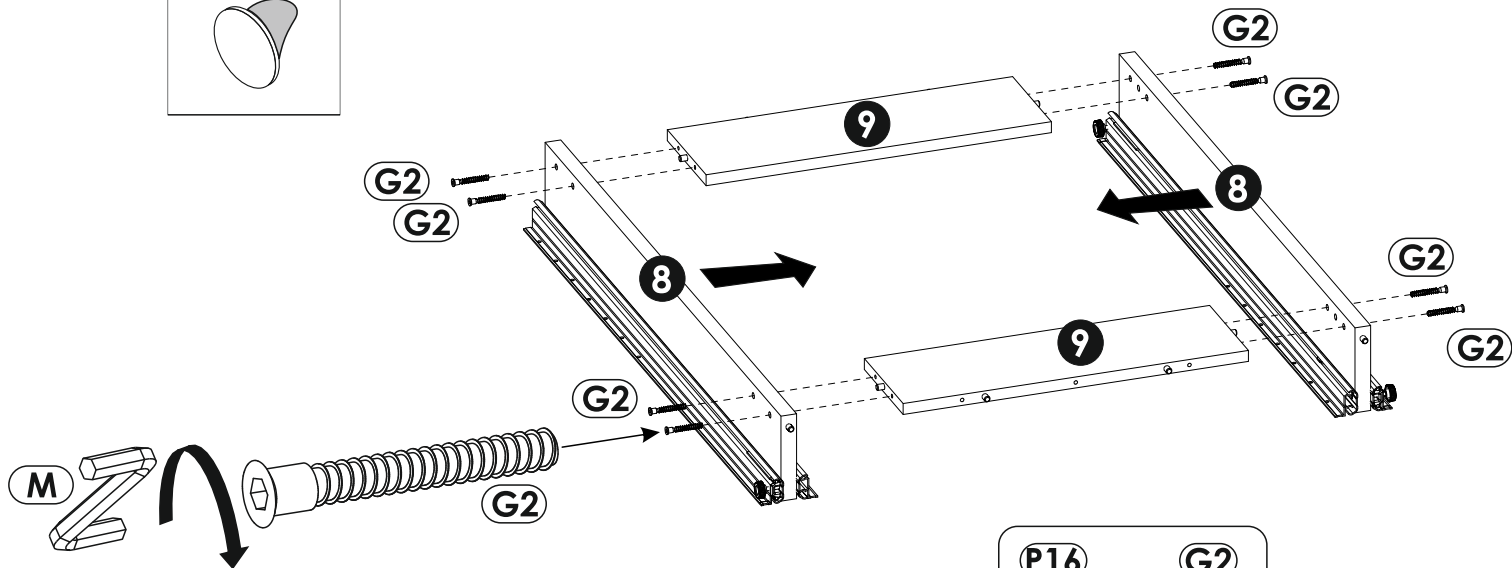
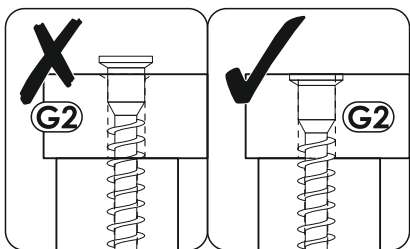
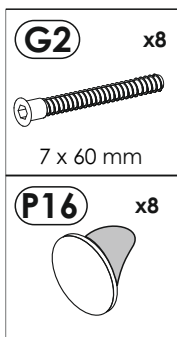
10▶



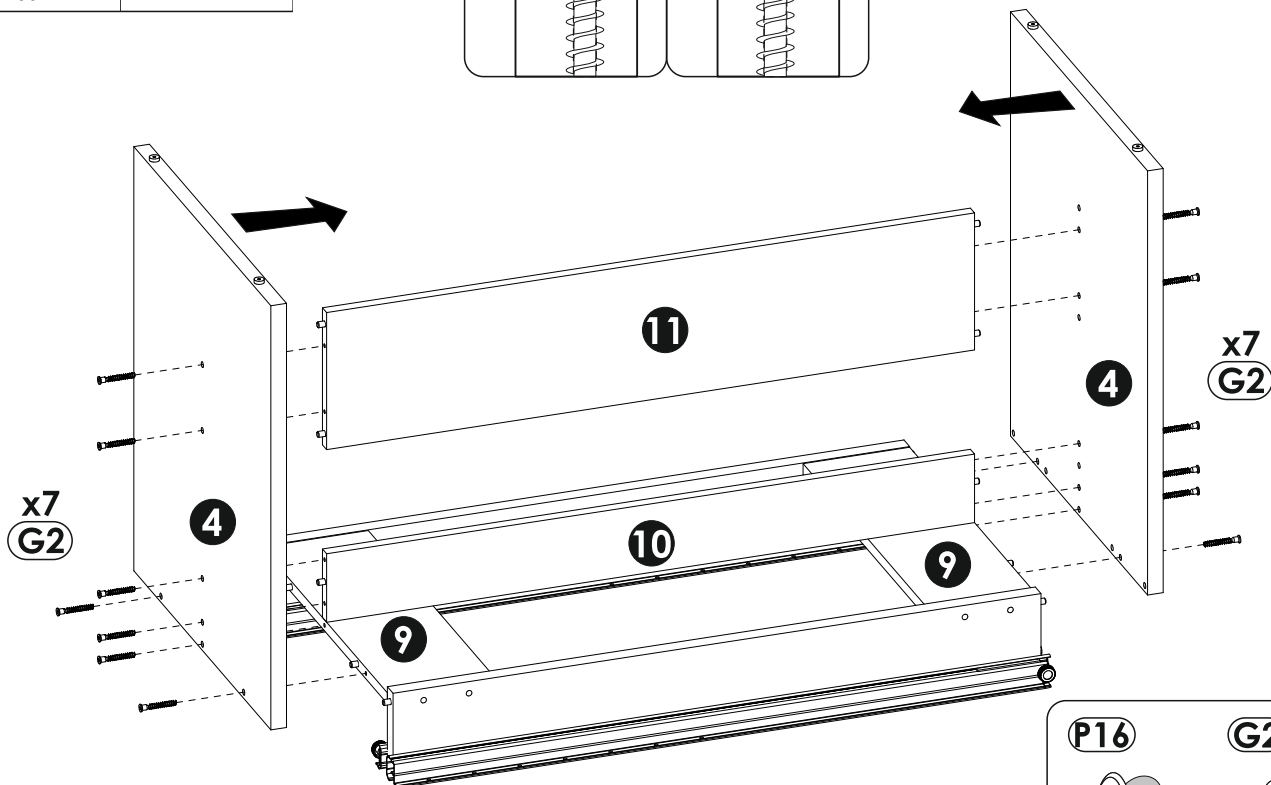
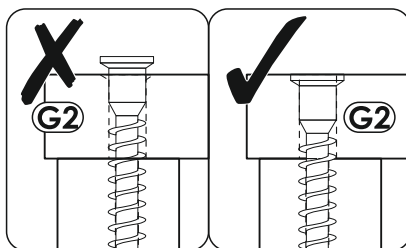
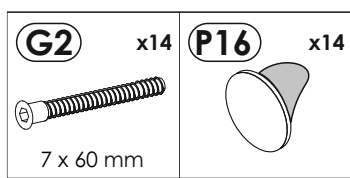
11▶



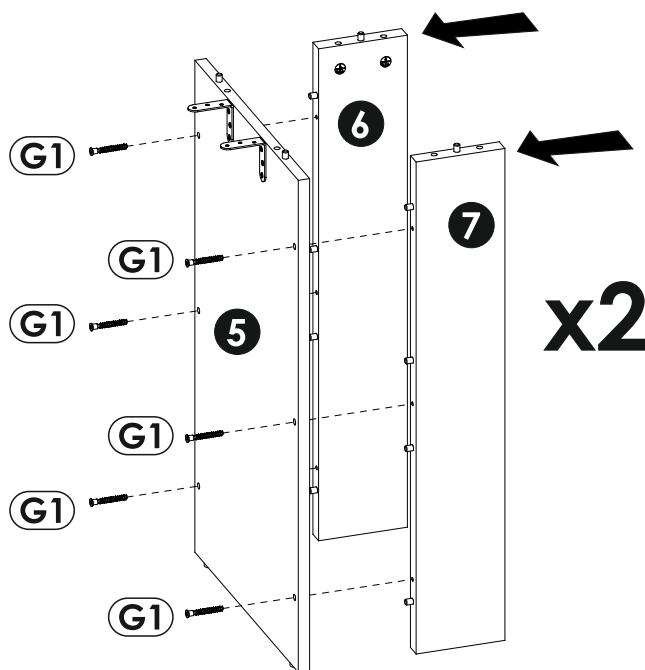
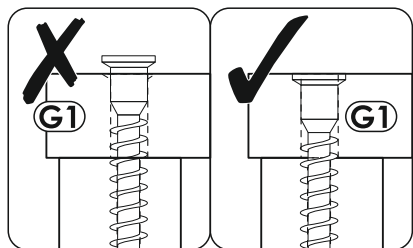
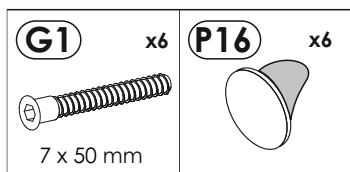
12▶



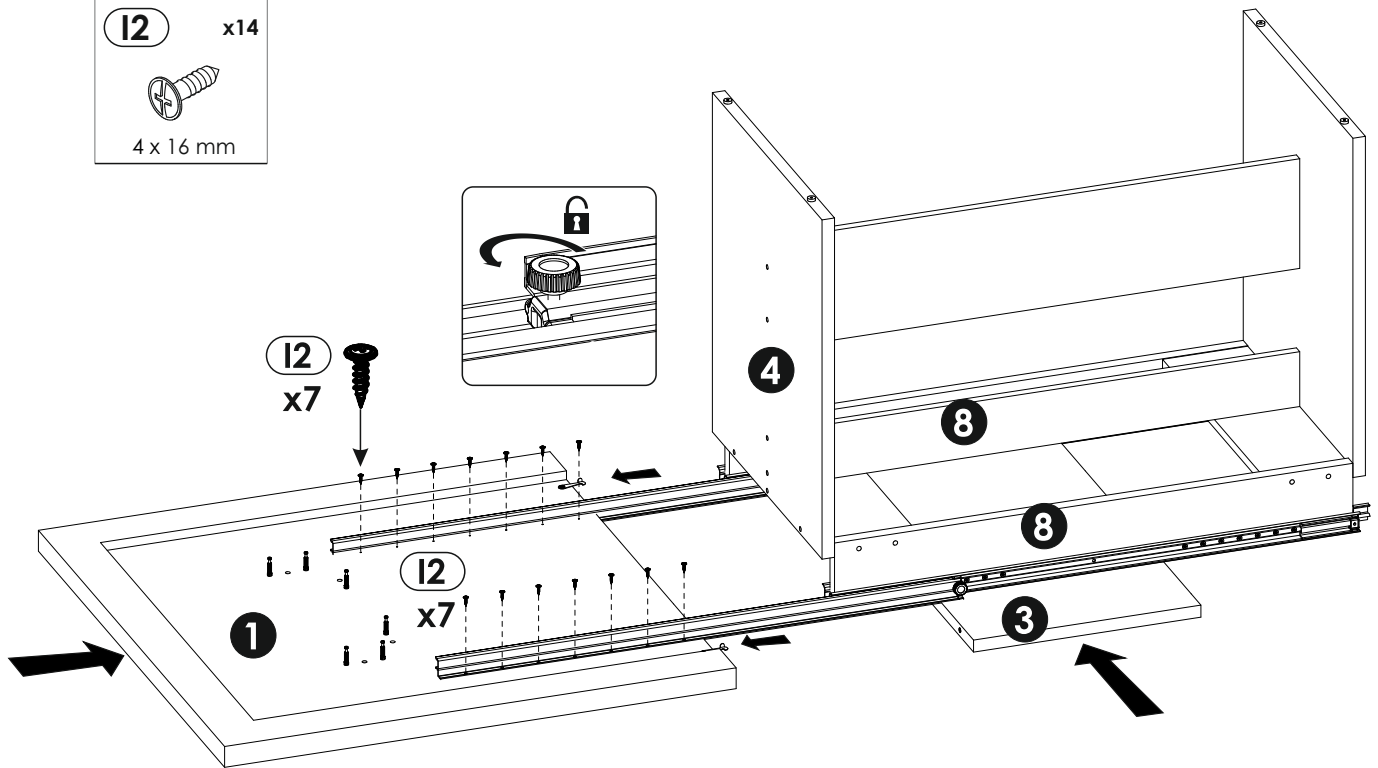
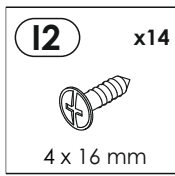
# 13 ▶



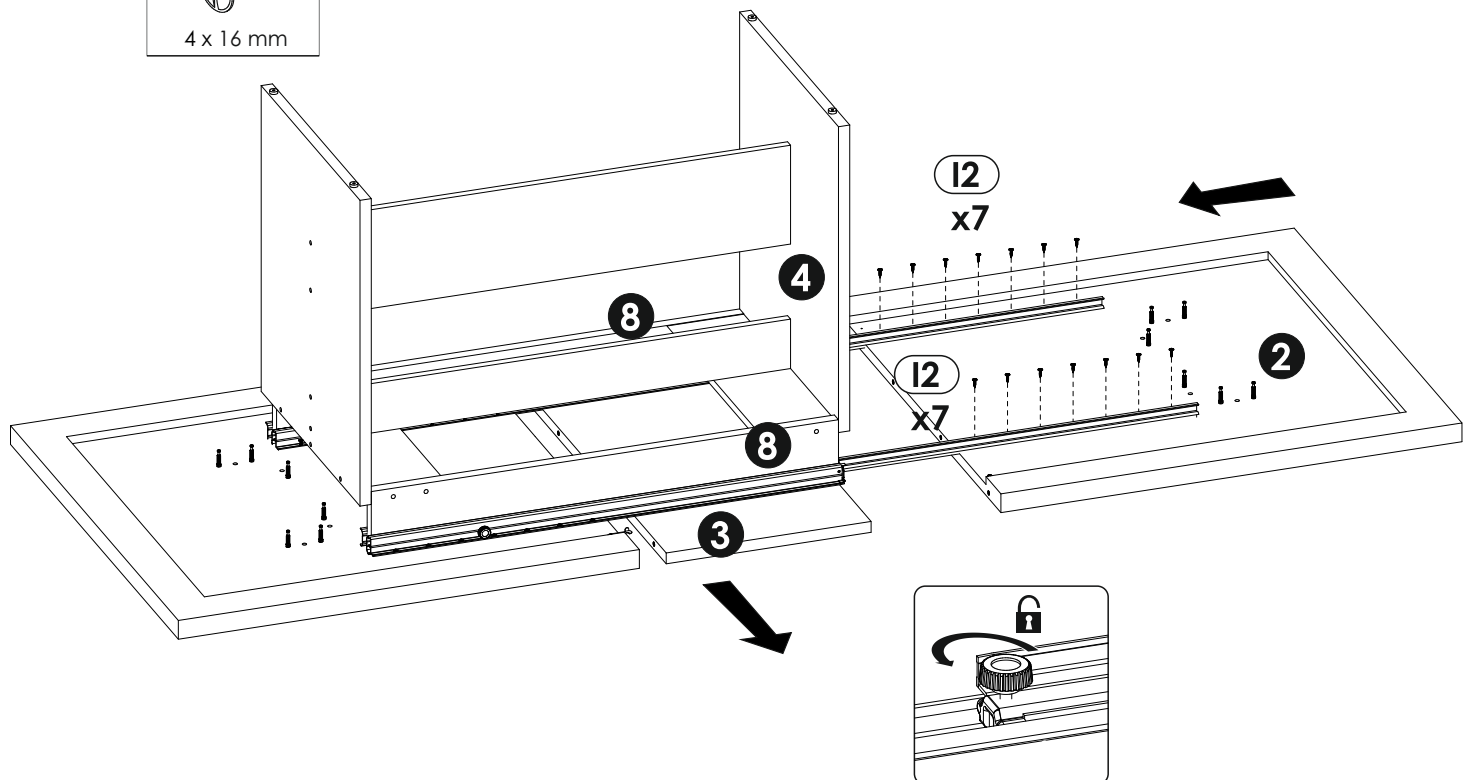
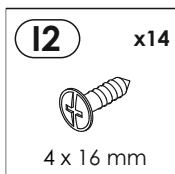
# 14 ▶



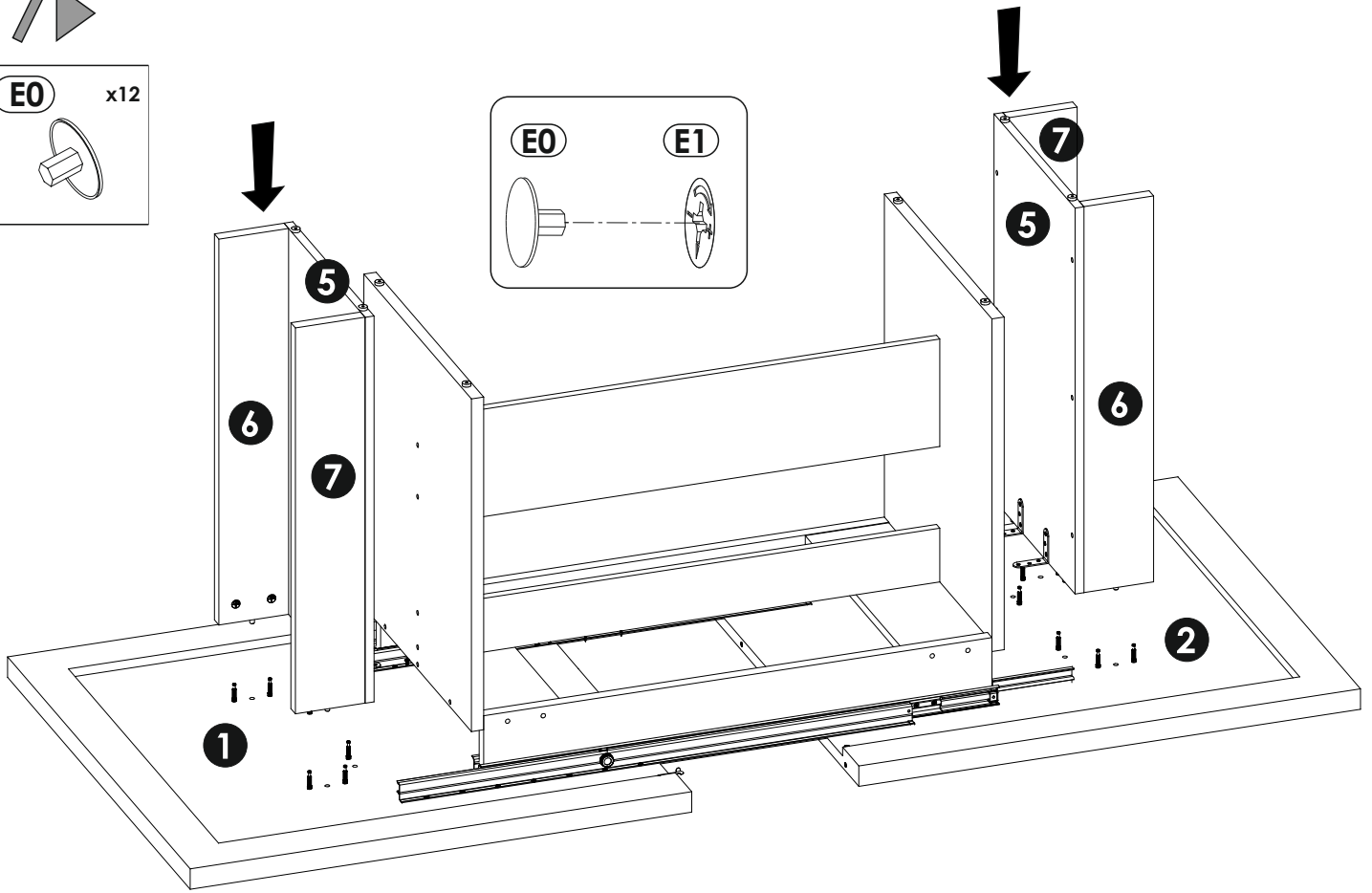
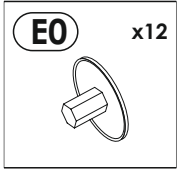
15 ▶



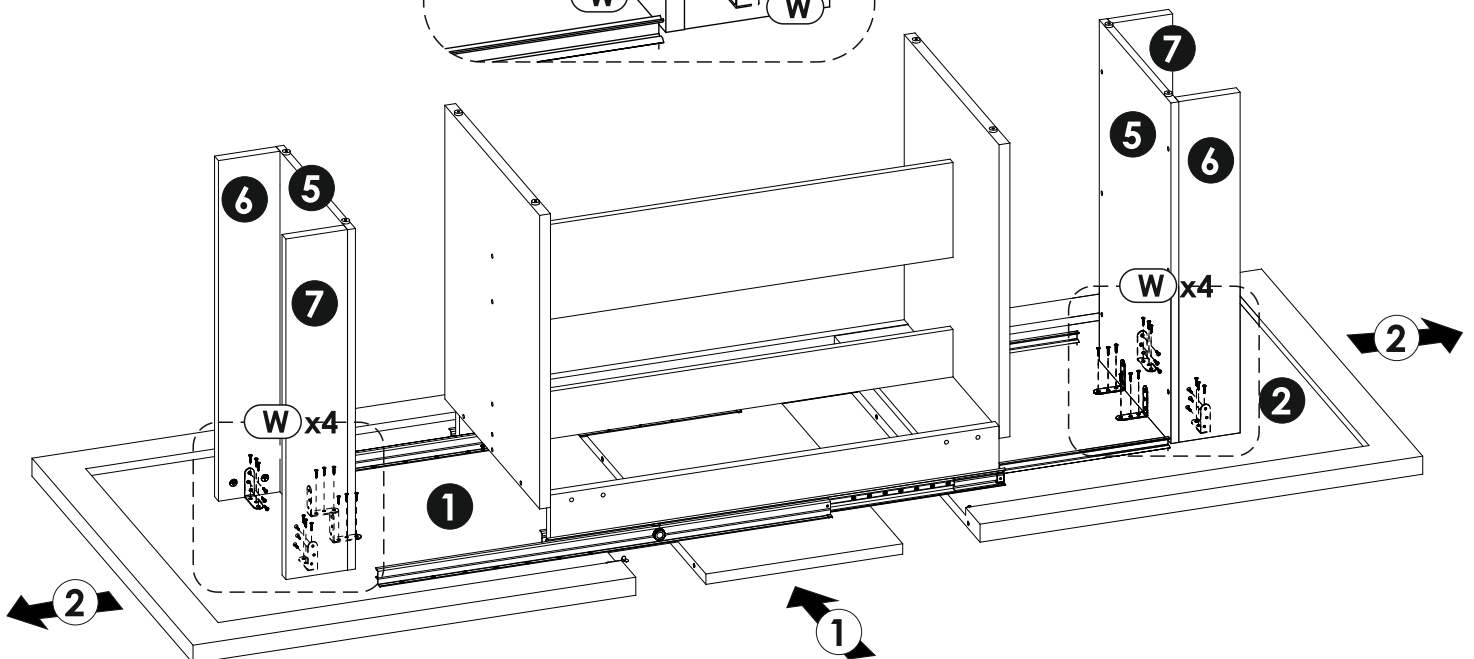
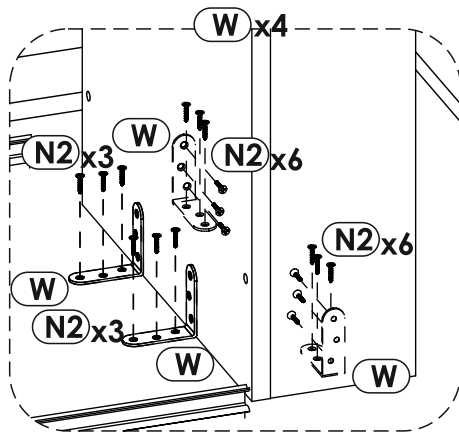
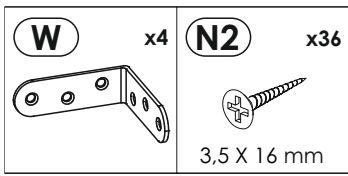
16 ▶



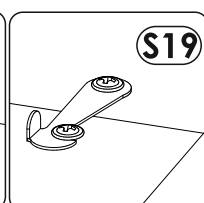
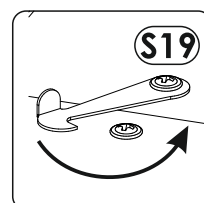
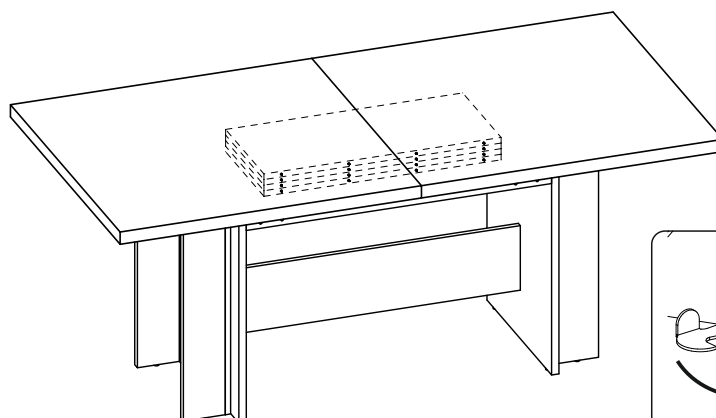
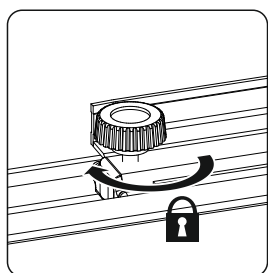
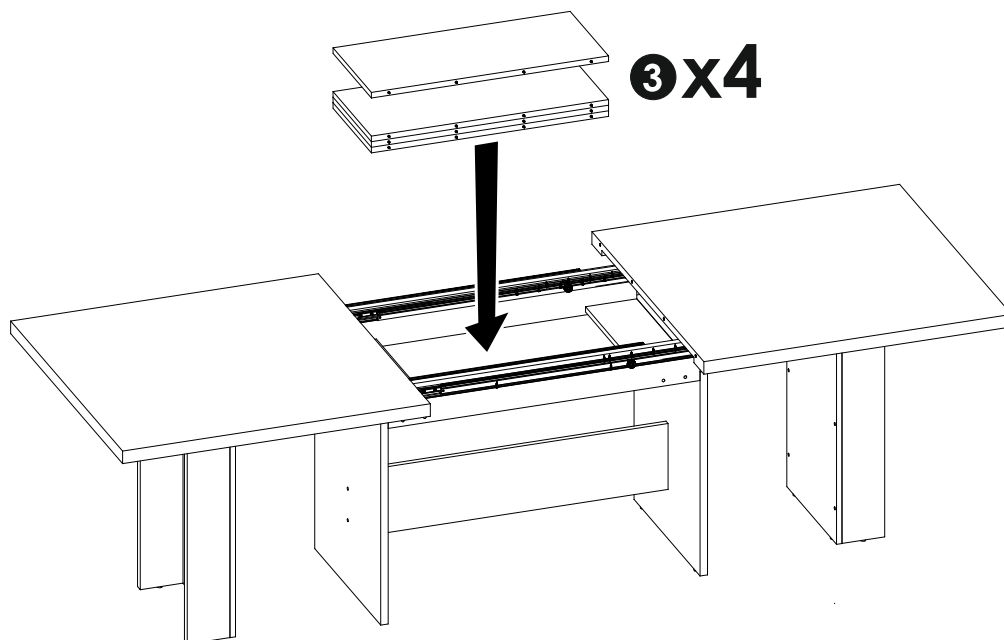
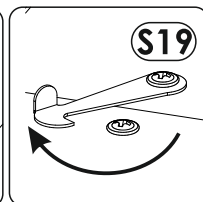
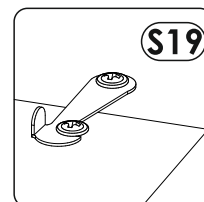
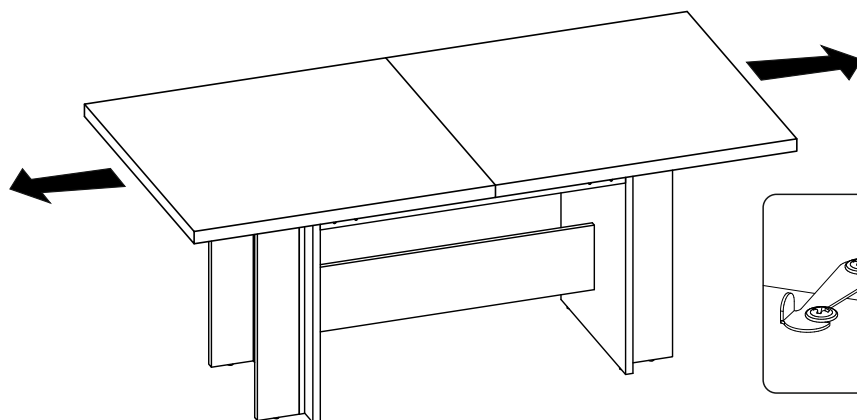
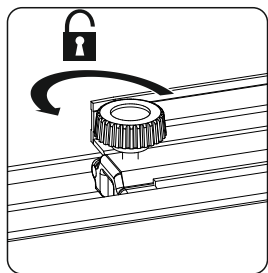
17▶



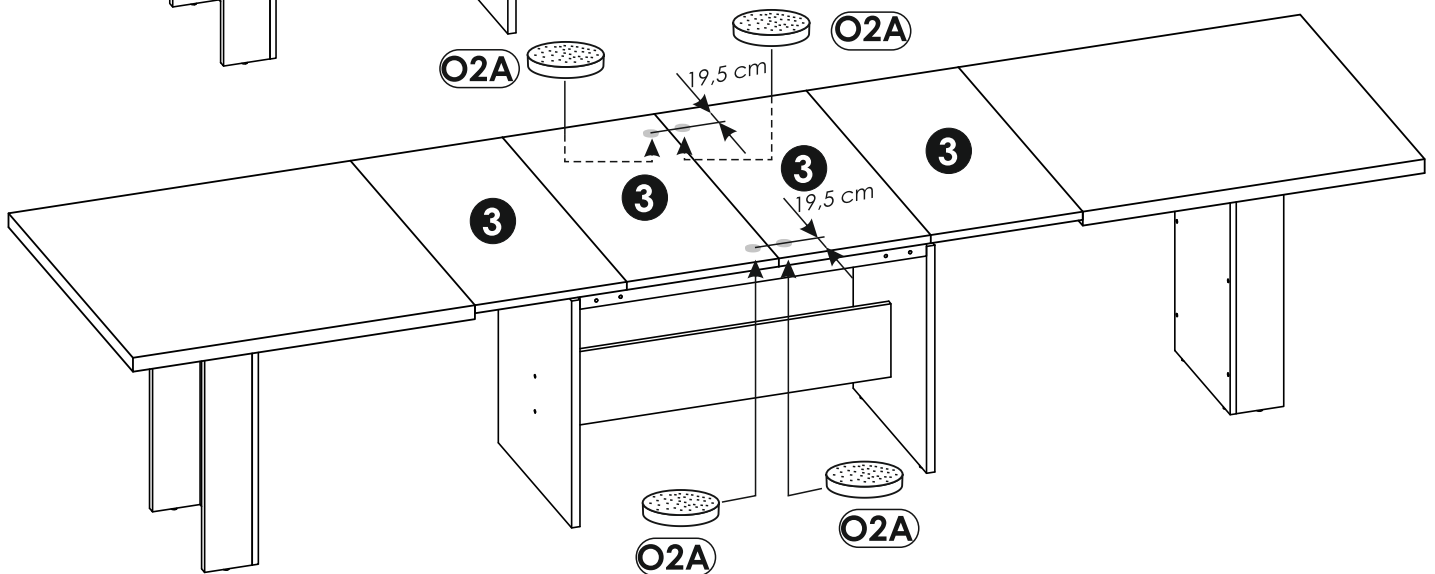
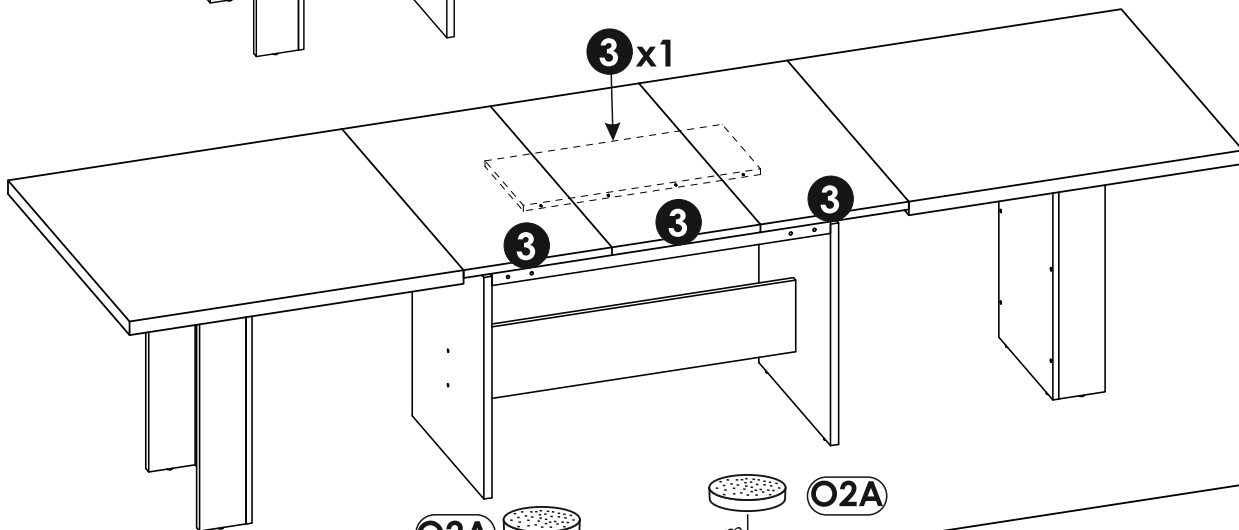
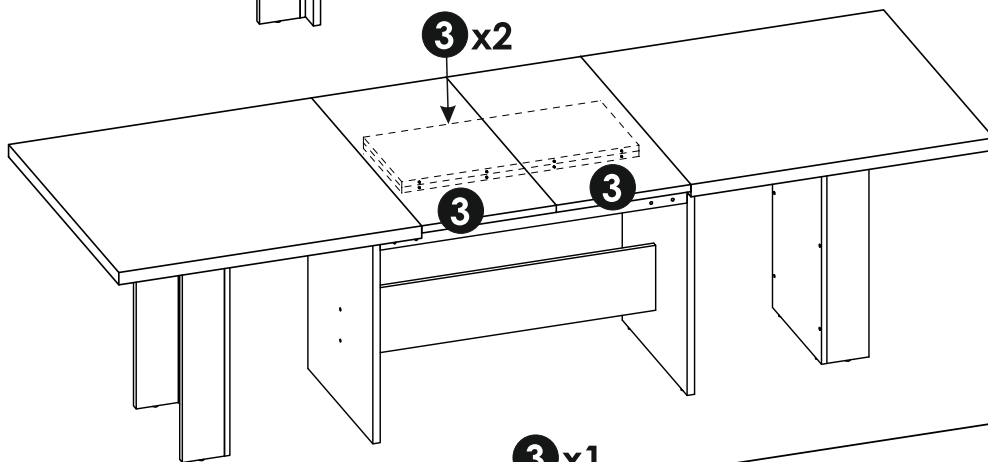
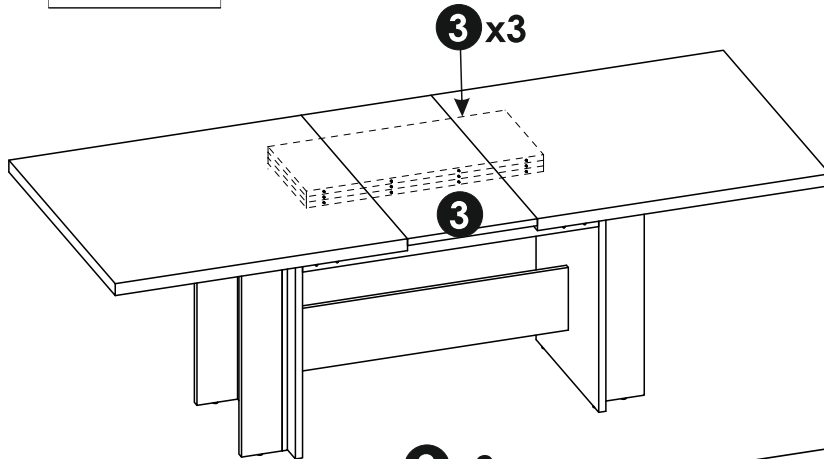
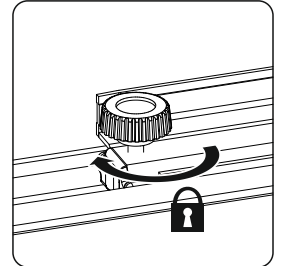
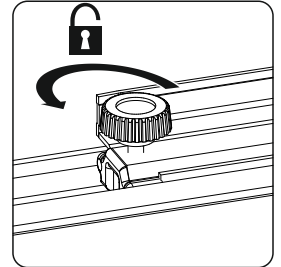
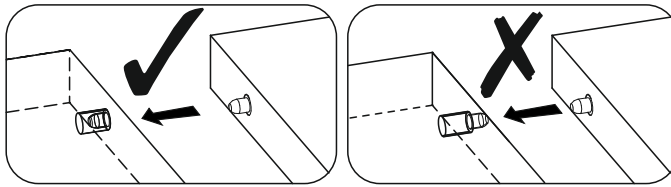
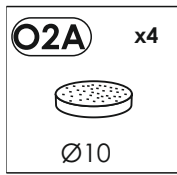
18▶

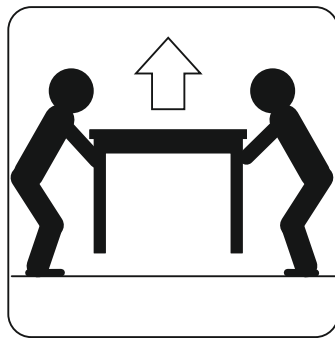
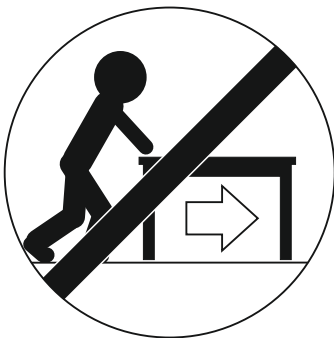
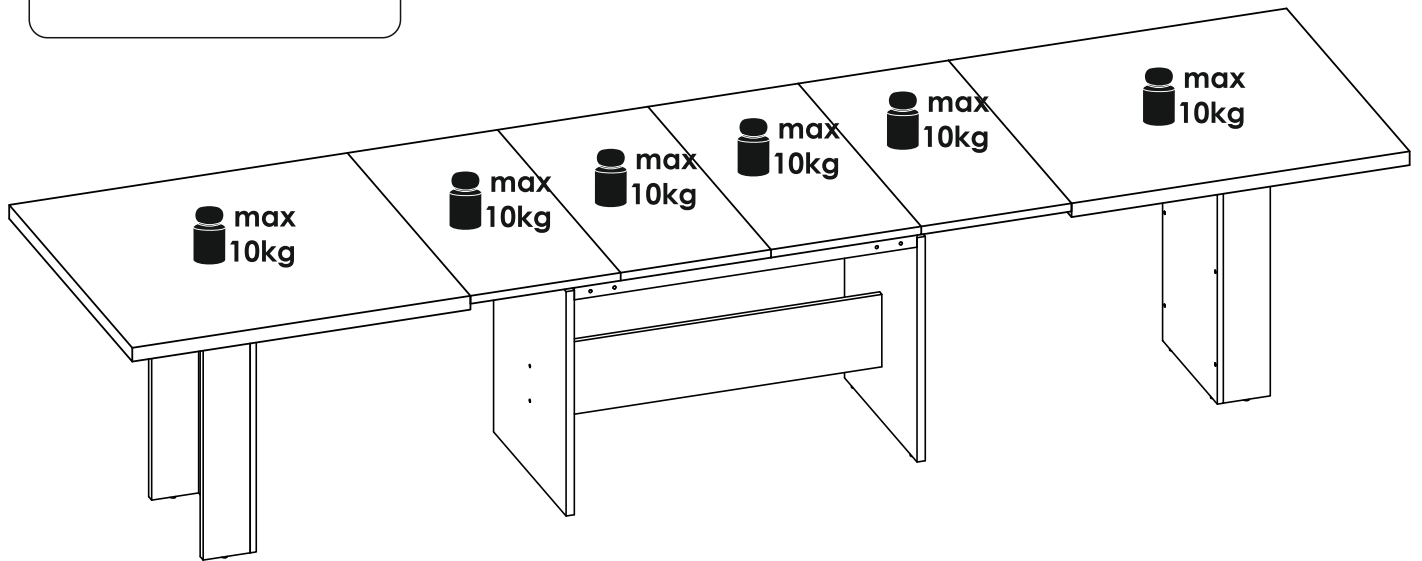
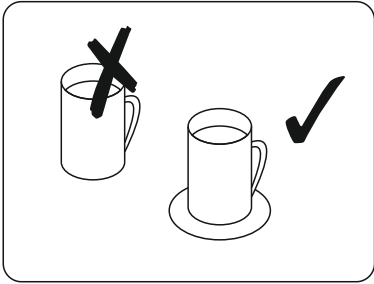


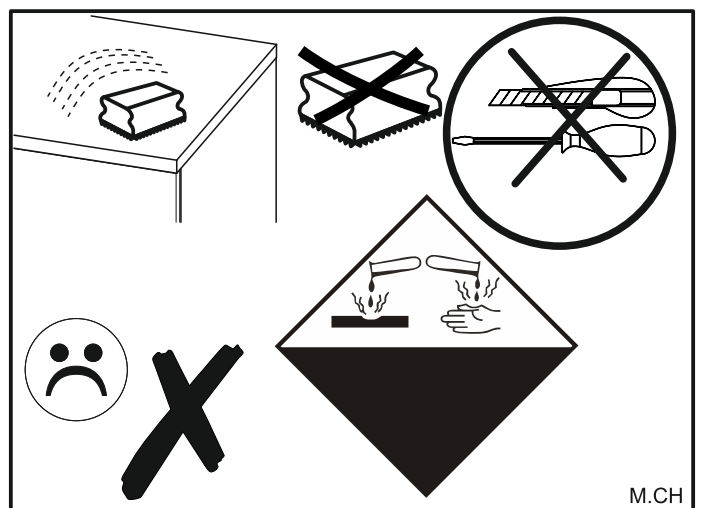
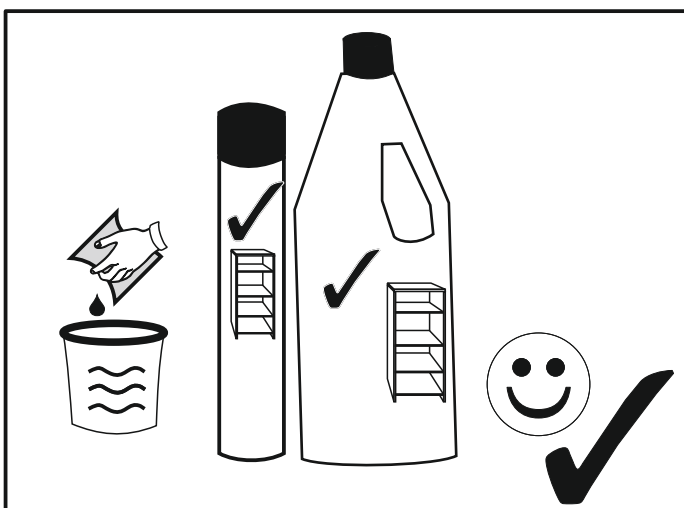
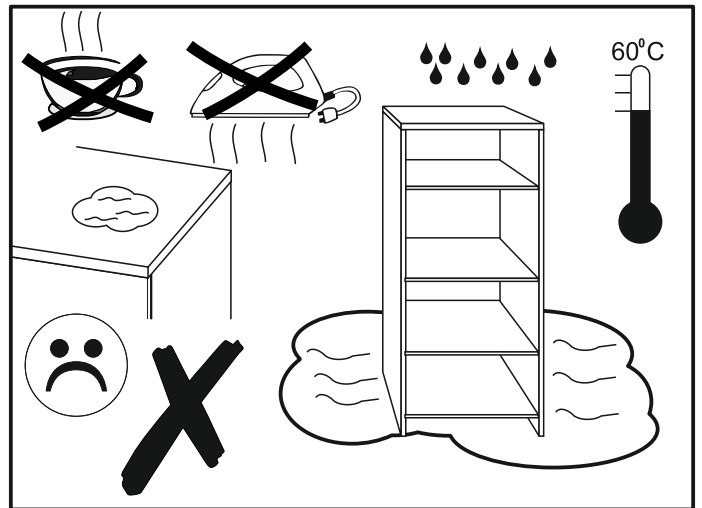
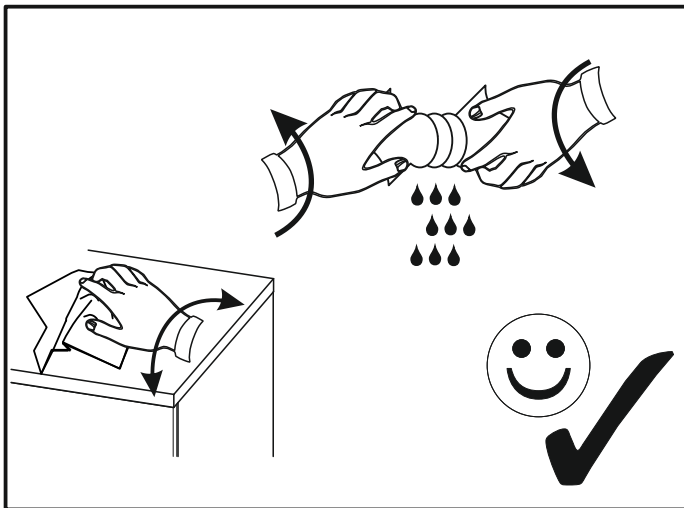
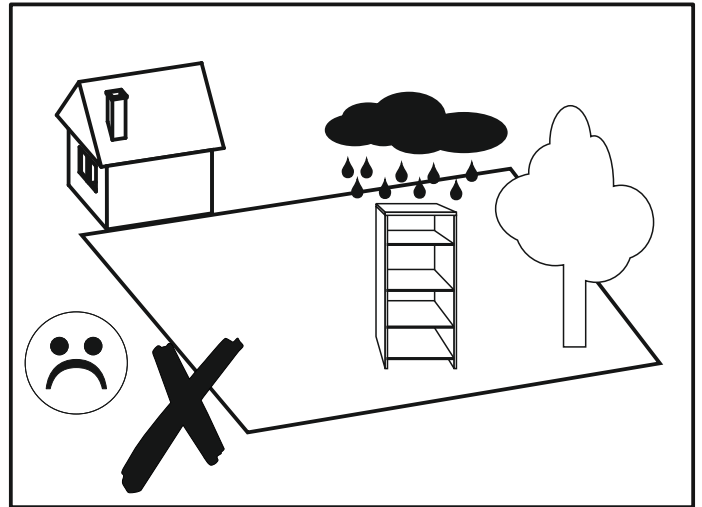
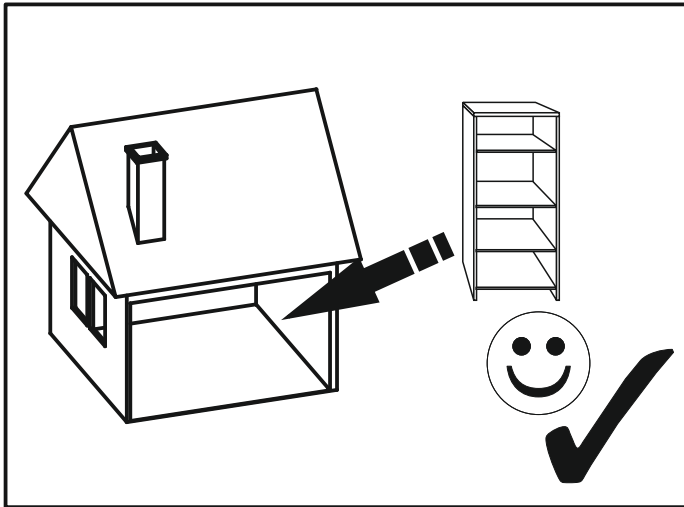
19 ▶



20 ▶







M.CH