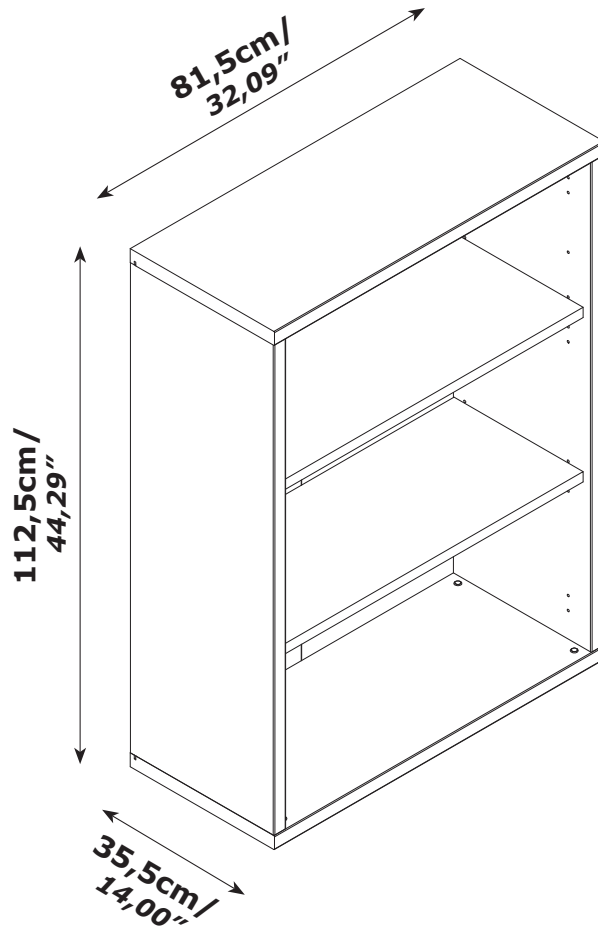
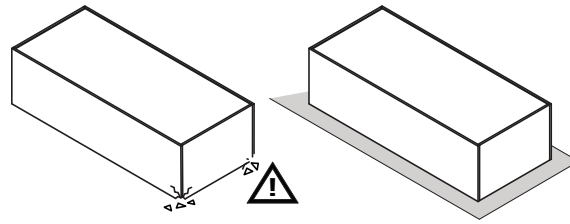
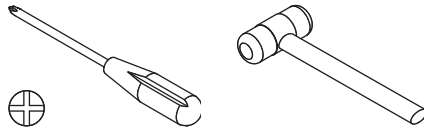
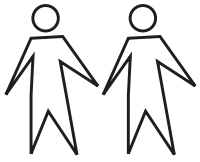


LB4800B



QF5180



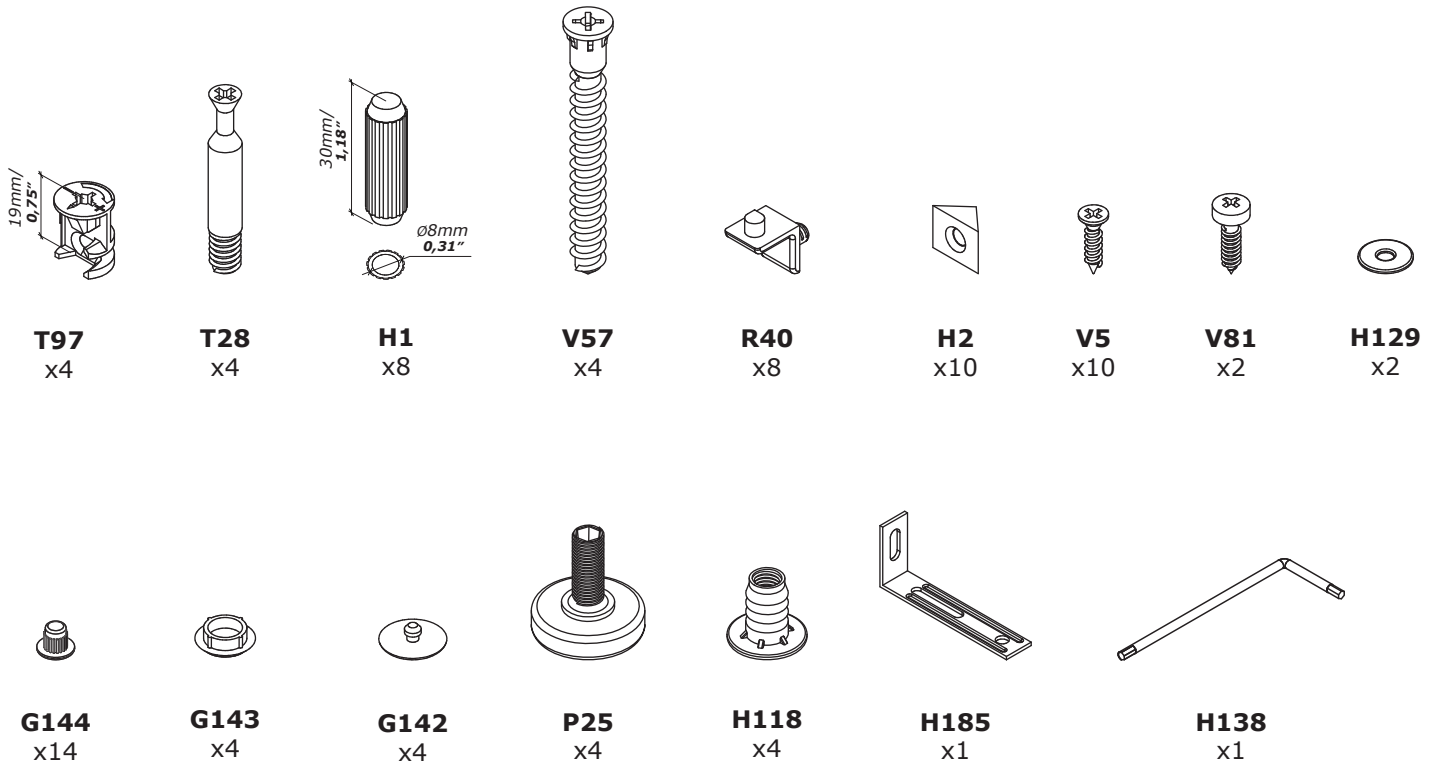
IT IS RECOMMENDED THAT THE ANTI-TIP KIT INCLUDED WITH THIS PRODUCT BE INSTALLED FOR ADDED SAFETY AND STABILITY.

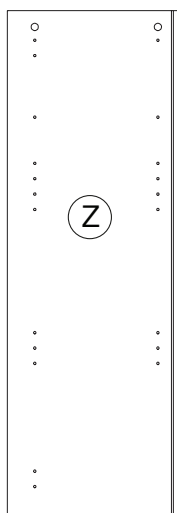
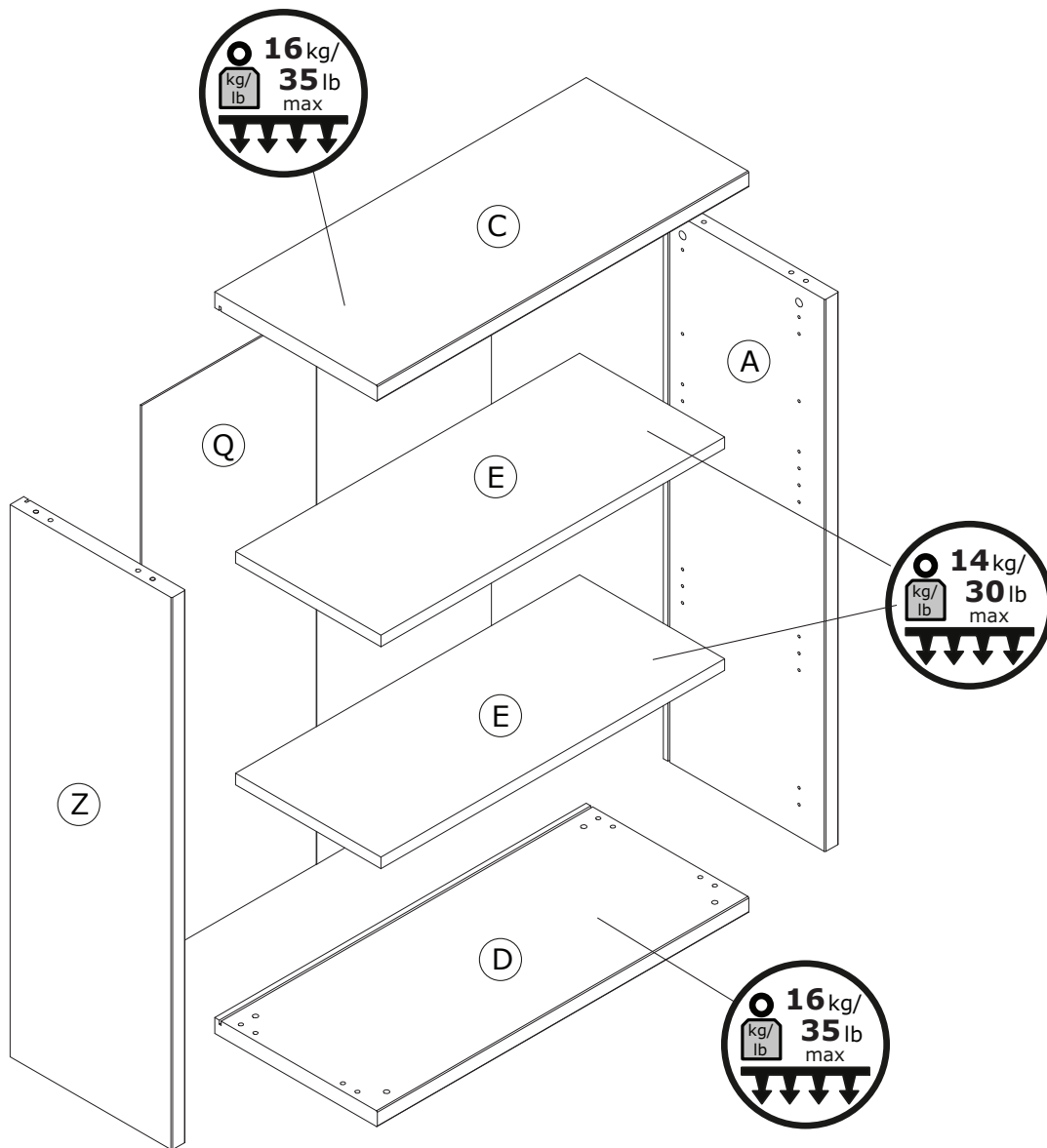
IT IS ESSENTIAL TO USE WALL ANCHORS APPROPRIATE FOR YOUR WALL TYPE (I.E. PLASTER, DRYWALL, CONCRETE, ETC.), ALONG WITH APPROPRIATE SCREWS, FOR PROPER MOUNTING.

THE SCREWS INCLUDED IN THIS ANTI-TIP KIT MAY NOT BE SUITED FOR ALL WALL TYPES. MOUNTING TO WOOD STUDS IS RECOMMENDED.

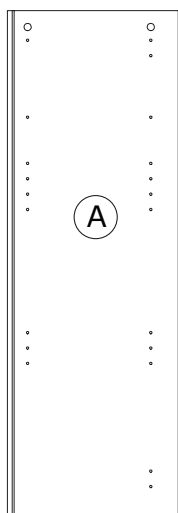
CONSULT A QUALIFIED PROFESSIONAL OR YOUR LOCAL HARDWARE STORE FOR APPROPRIATE MOUNTING HARDWARE SUITED FOR YOUR SPECIFIC WALL MEDIUM.

BU2925

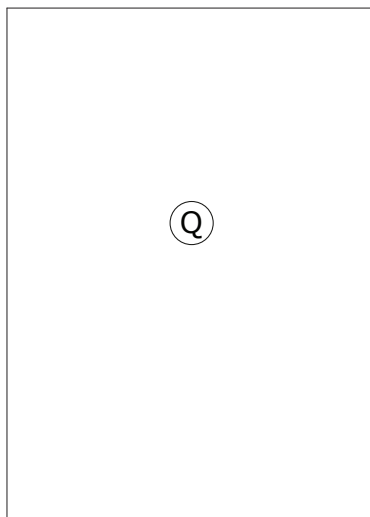




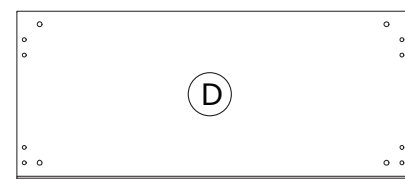
F17709
1051x355x30mm/
41,38" x 13,98" x 1,18"



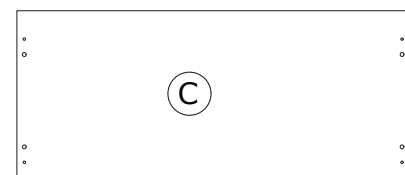
F17708
1051x355x30mm/
41,38" x 13,98" x 1,18"



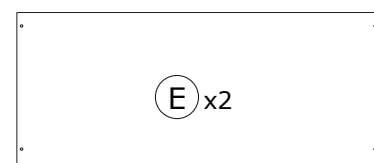
SH2537
1065x768x2mm/
41,93" x 30,24" x 0,08"



BA1927
816x357x30mm/
32,12" x 14,05" x 1,18"

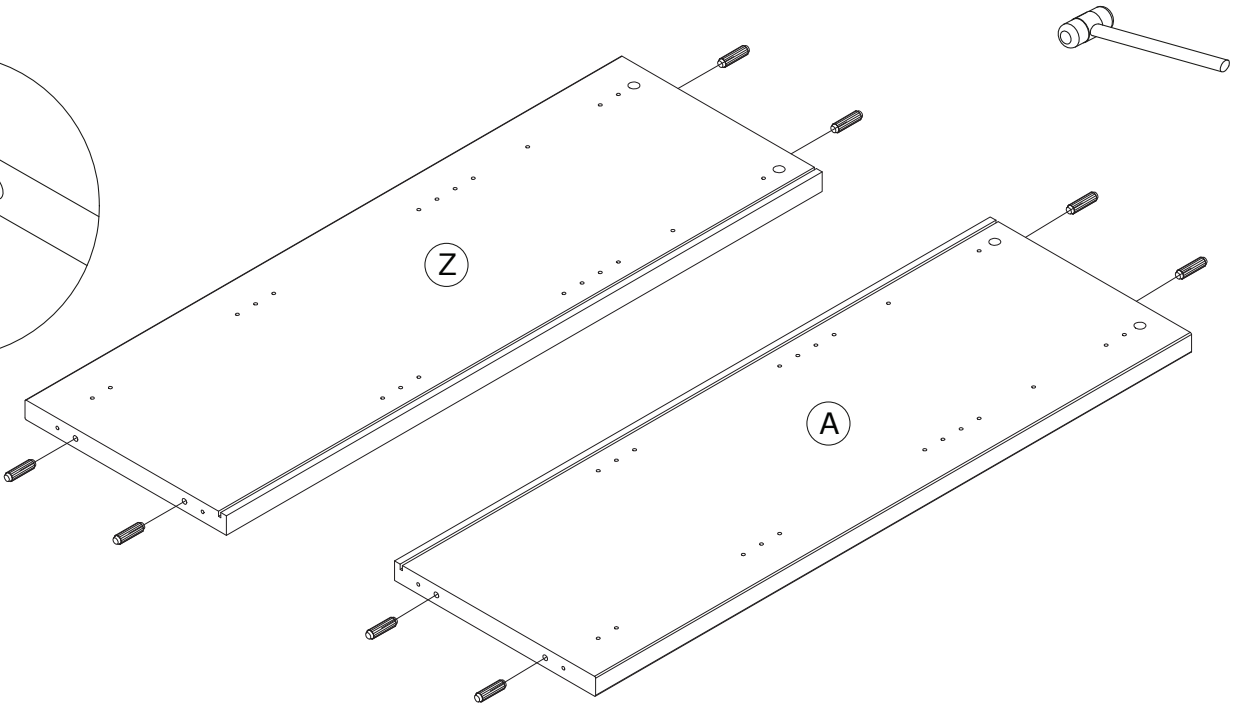
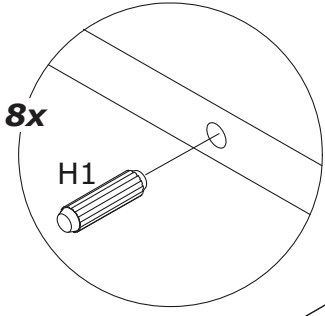


CA3164
816x357x30mm/
32,12" x 14,05" x 1,18"

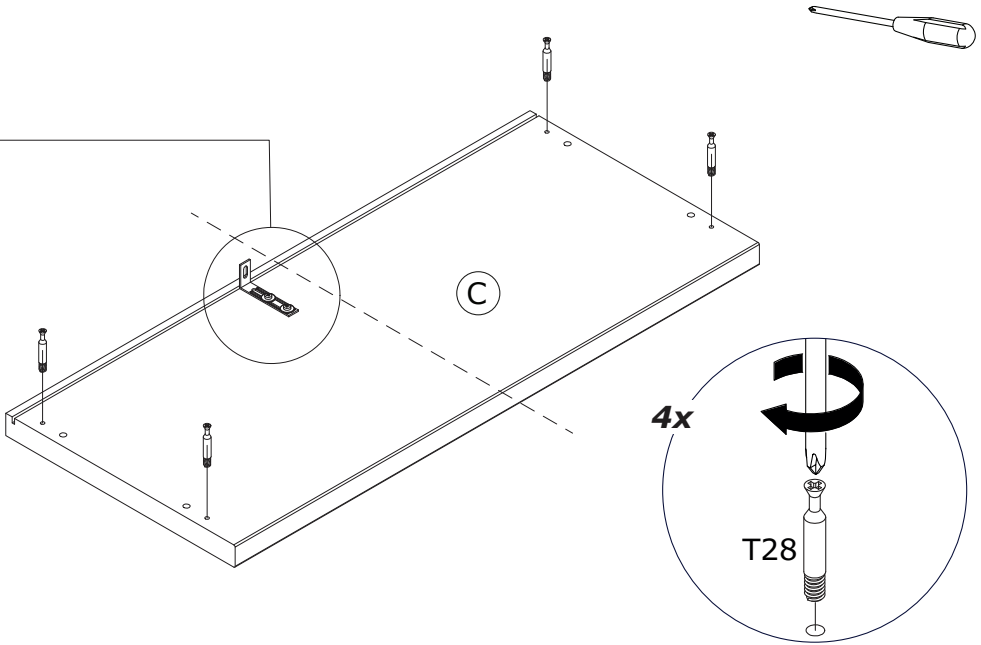
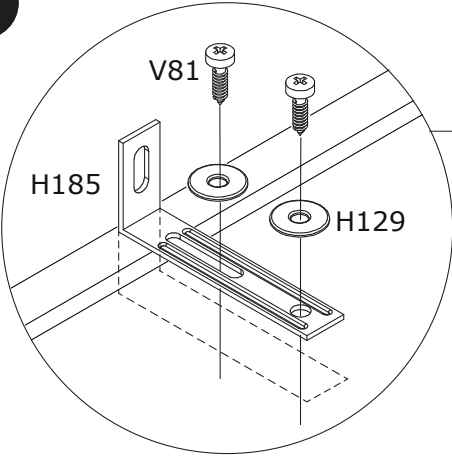


PI6646
755x319x22mm/
29,72" x 12,56" x 0,87"

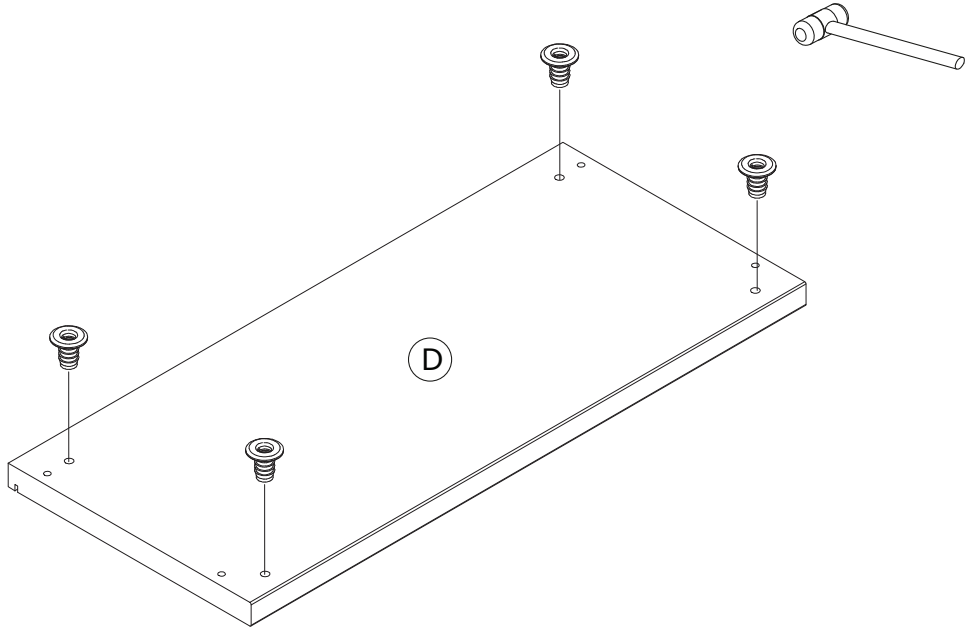
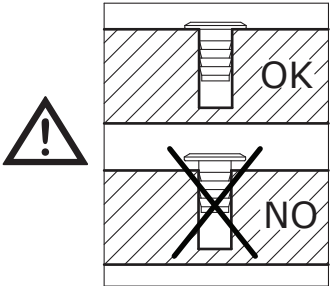
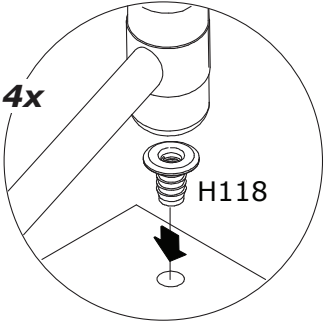
1



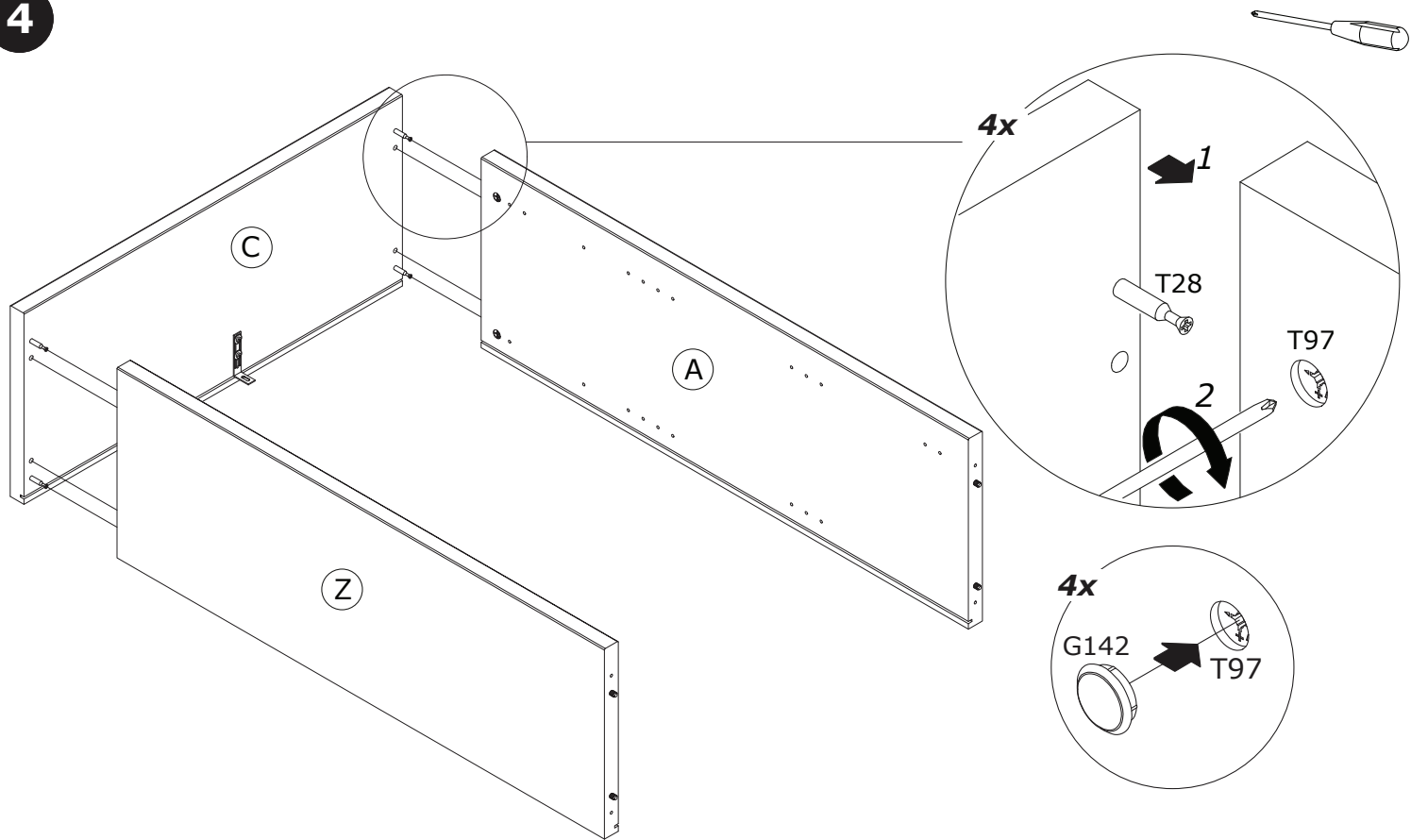
2



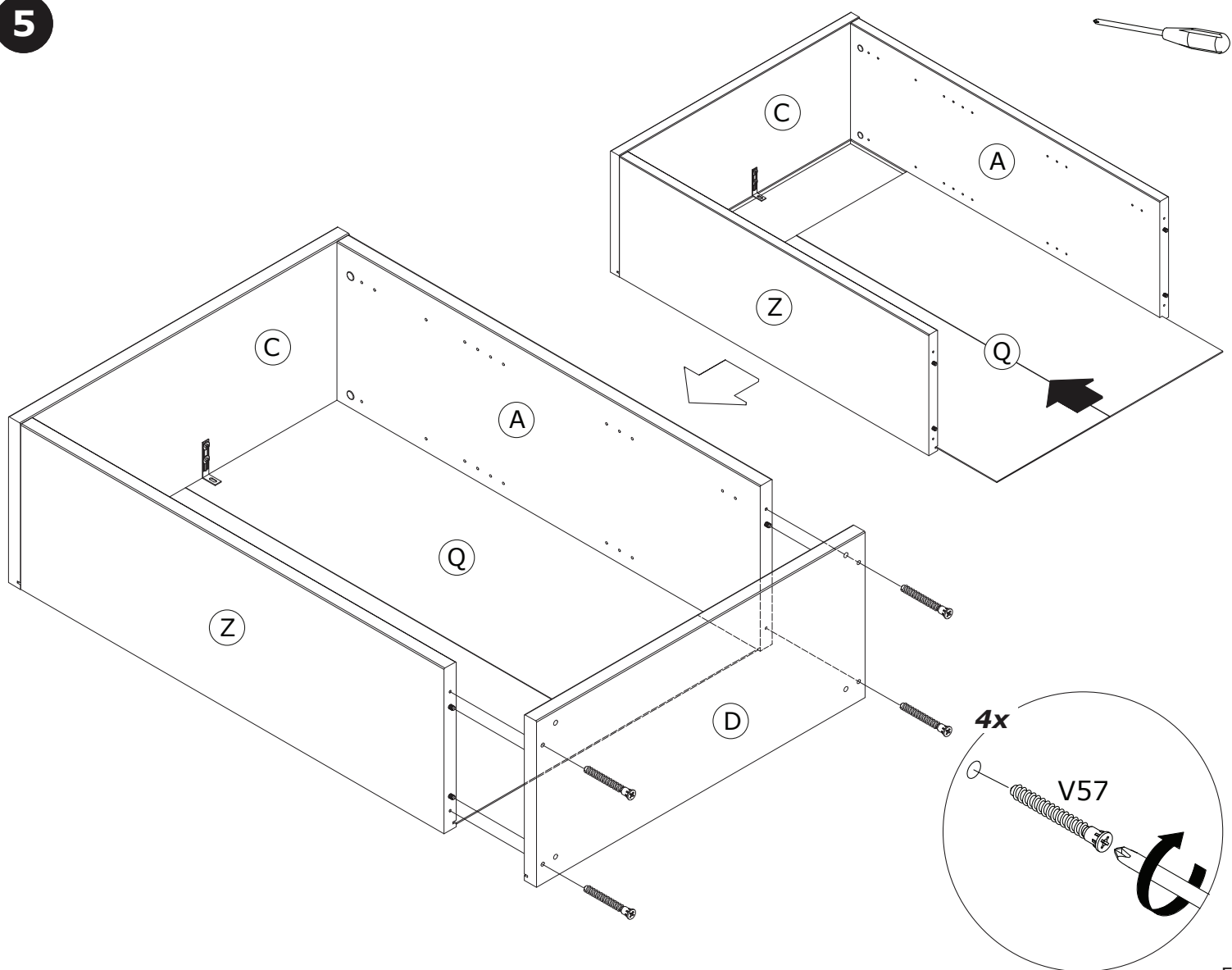
3



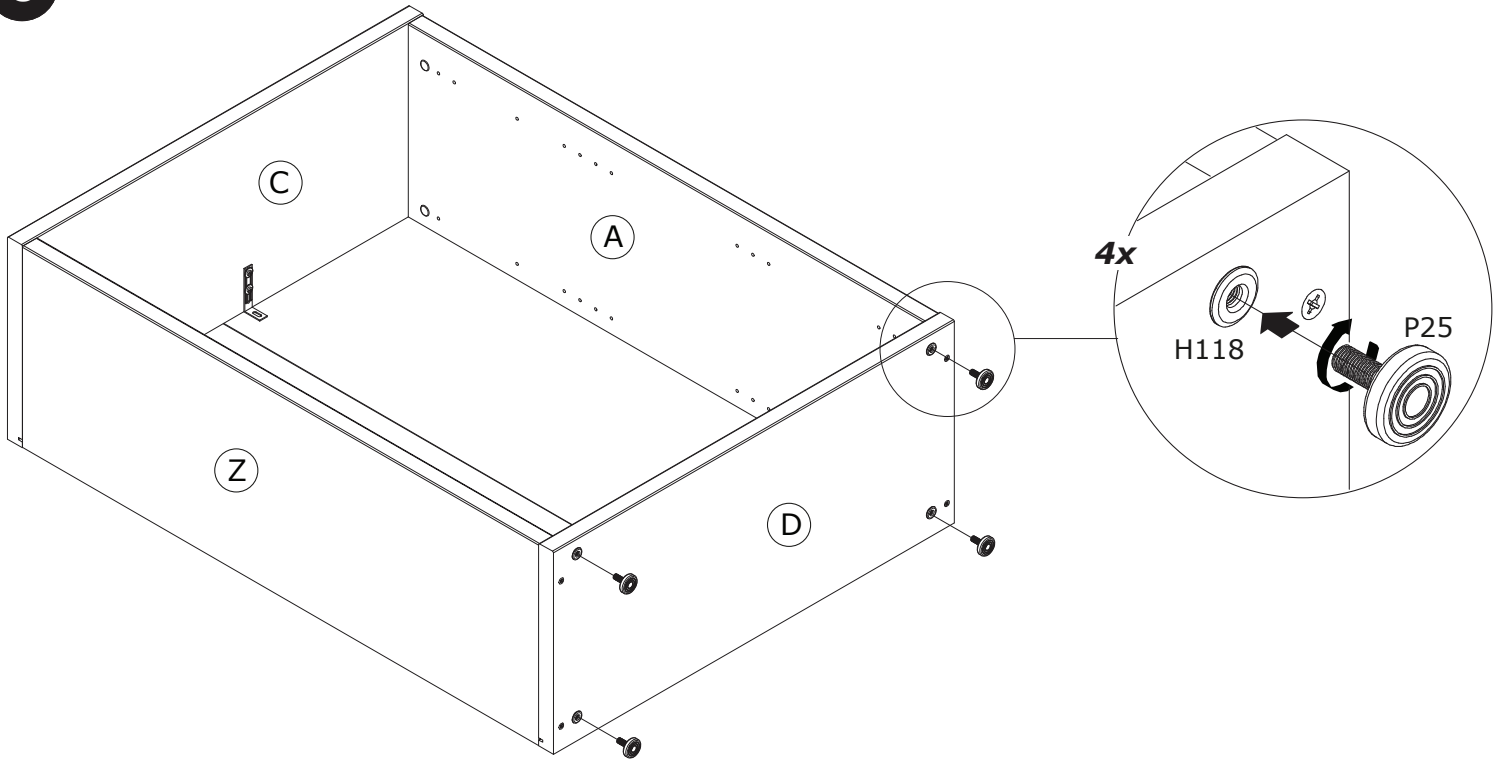
4



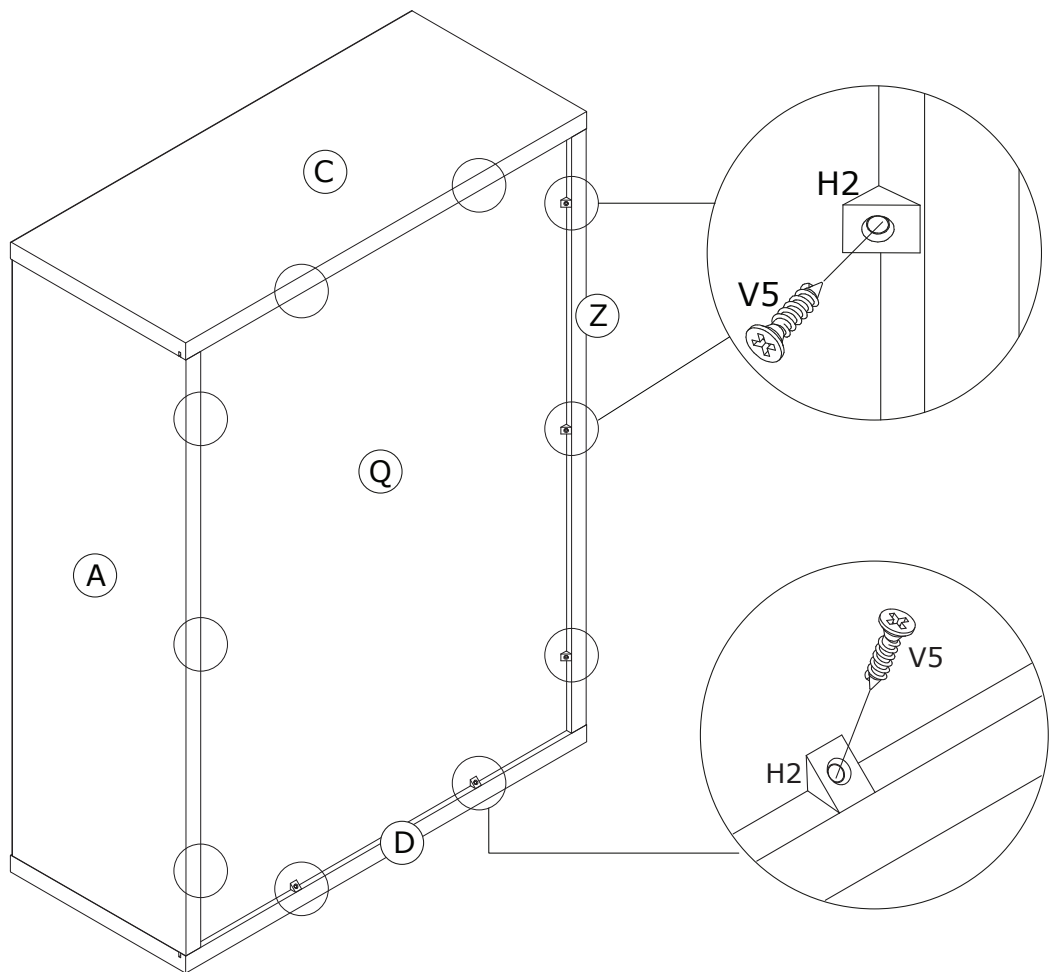
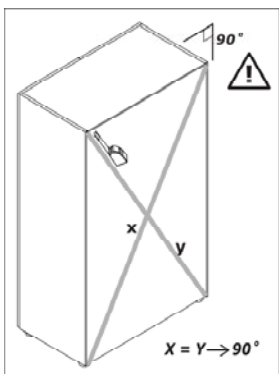
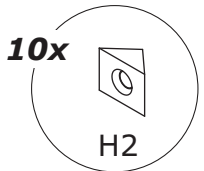
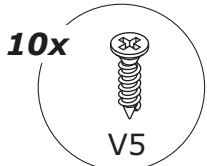
5

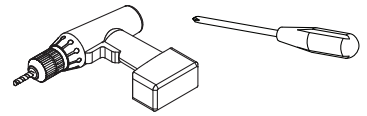


6



7



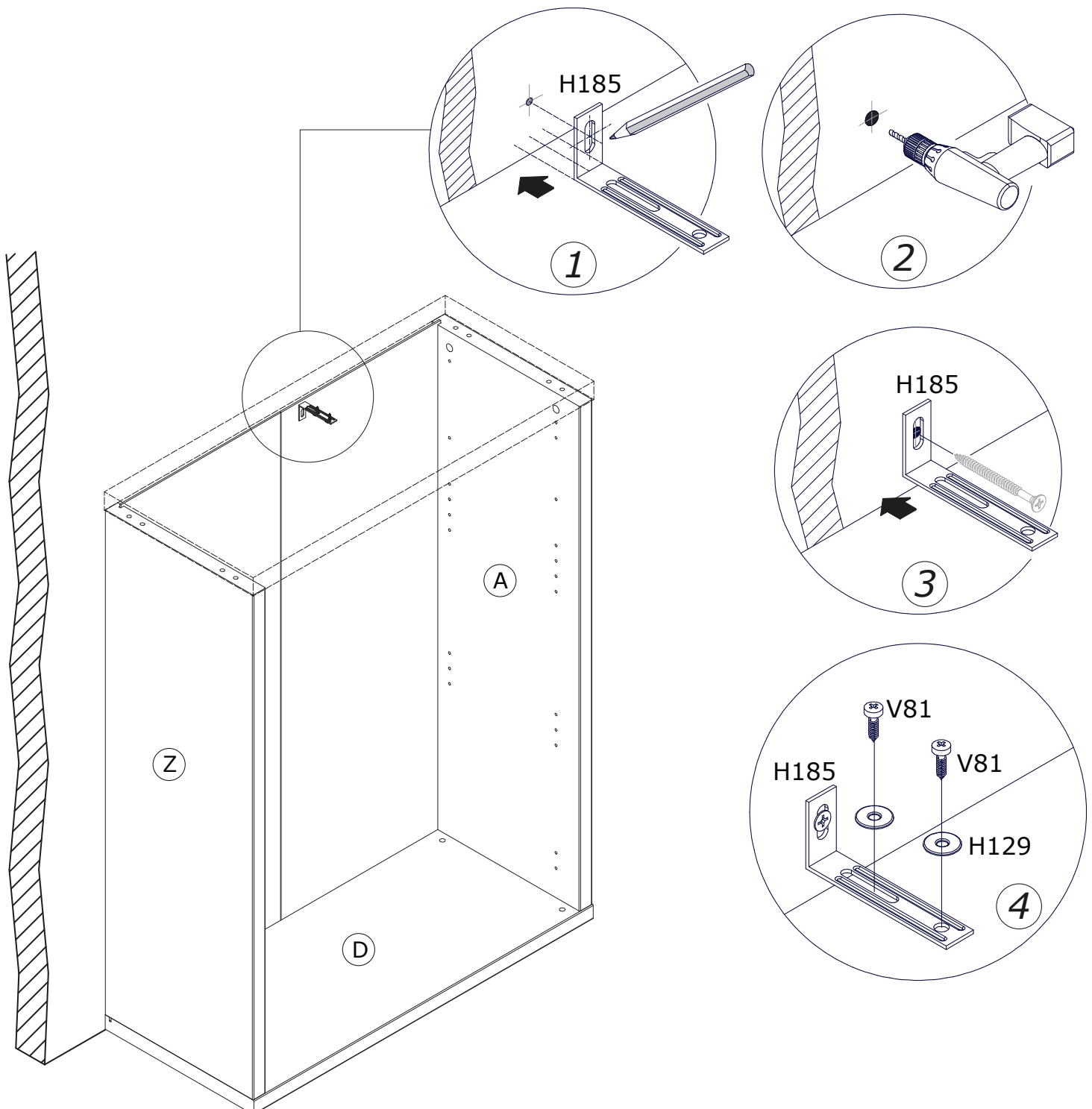


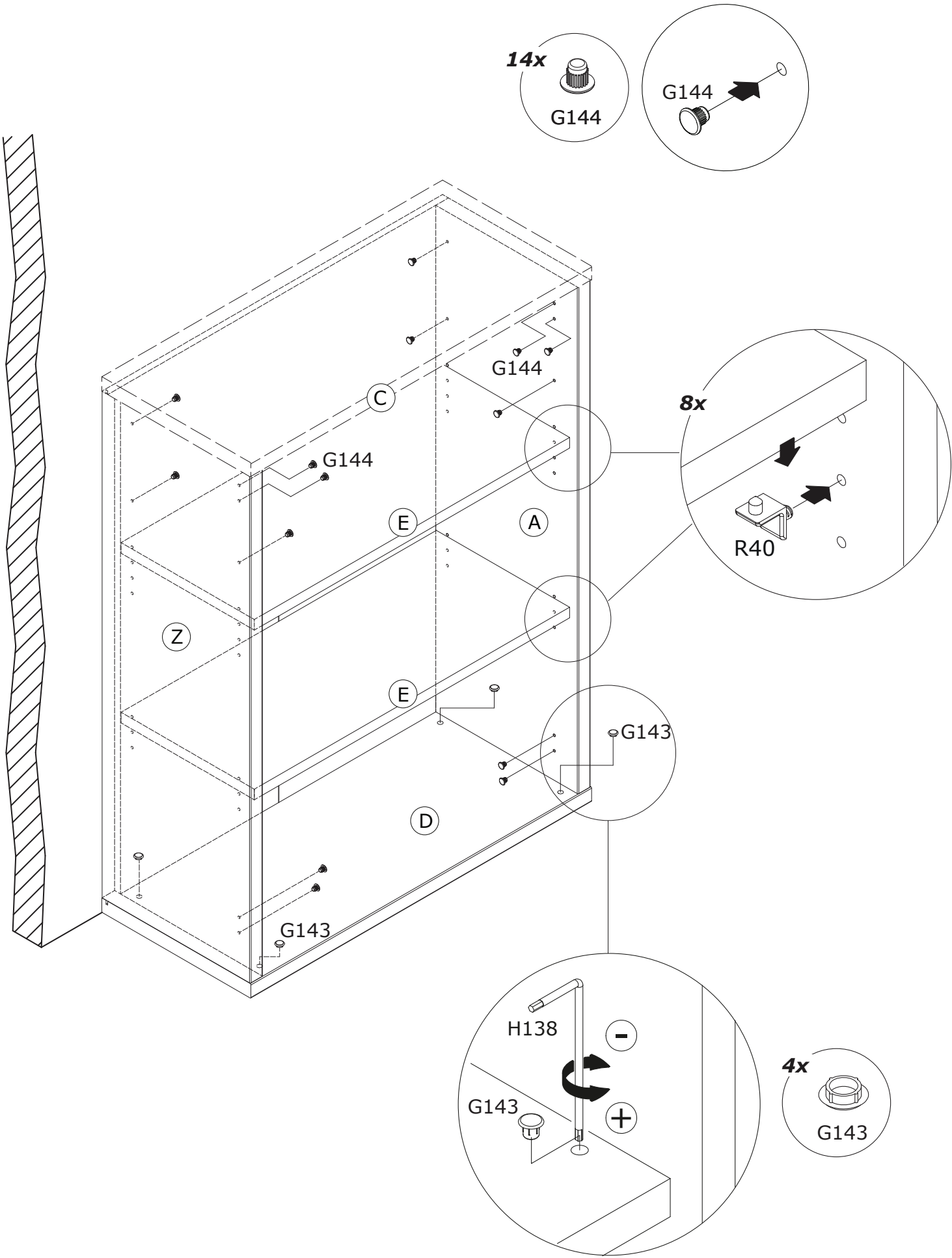
IT IS RECOMMENDED THAT THE ANTI-TIP KIT INCLUDED WITH THIS PRODUCT BE INSTALLED FOR ADDED SAFETY AND STABILITY.

IT IS ESSENTIAL TO USE WALL ANCHORS APPROPRIATE FOR YOUR WALL TYPE (I.E. PLASTER, DRYWALL, CONCRETE, ETC.), ALONG WITH APPROPRIATE SCREWS, FOR PROPER MOUNTING.

THE SCREWS INCLUDED IN THIS ANTI-TIP KIT MAY NOT BE SUITED FOR ALL WALL TYPES. MOUNTING TO WOOD STUDS IS RECOMMENDED.

CONSULT A QUALIFIED PROFESSIONAL OR YOUR LOCAL HARDWARE STORE FOR APPROPRIATE MOUNTING HARDWARE SUITED FOR YOUR SPECIFIC WALL MEDIUM.

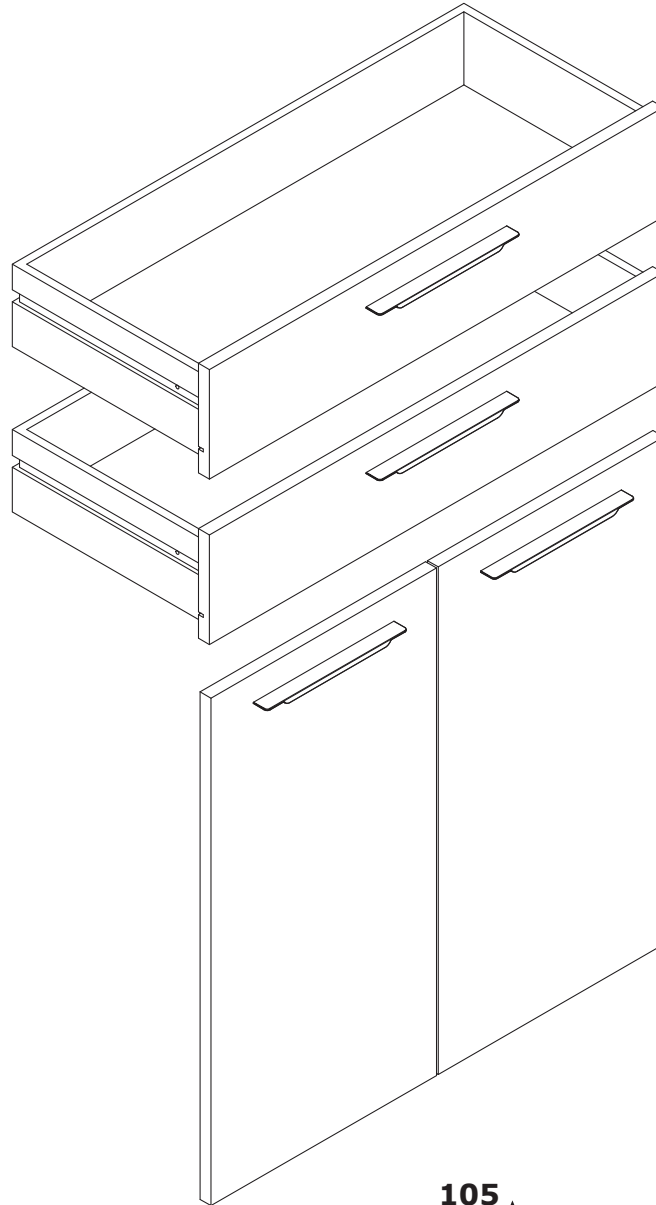




AN4804K



MIX
Wood | Supporting
responsible forestry
FSC® C011298



105
75
1,8



FR

Pensez à
donner ou recycler.



Association

ou



Magasin

ou



Déchèterie

<https://quefairedemesdechets.fr>

QF3546-2

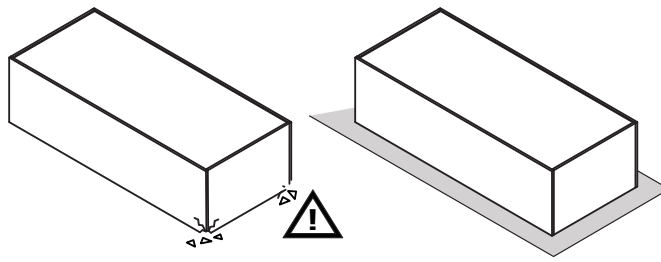
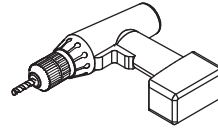
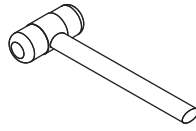
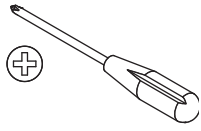
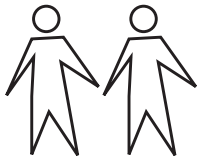


The Eco-Ethical Company



MADE IN ITALY

Produced by COMPOSAD srl, Via Lombardia 29, 46019 Viadana (MN) ITALY



BU2944

BU2928



H113
x10



V137
x8



G31
x4



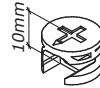
H54
x8



V5
x8



V38
x4



T98
x4



T28
x4



G128
x4

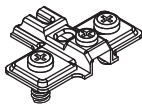


H14
x1

BU0523



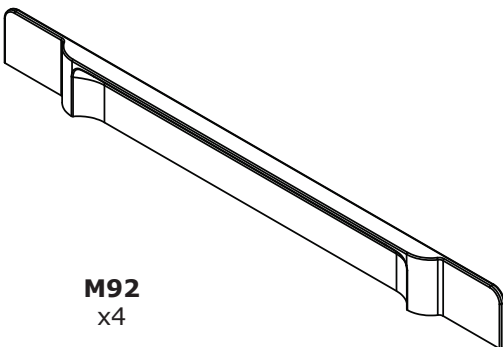
C39
x4



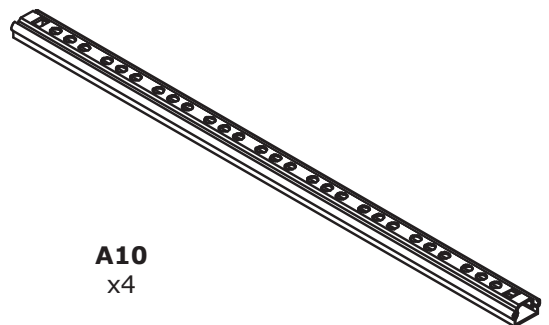
B9
x4



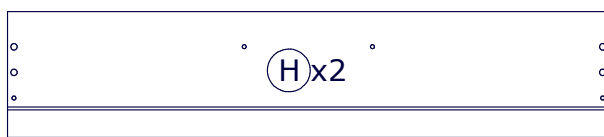
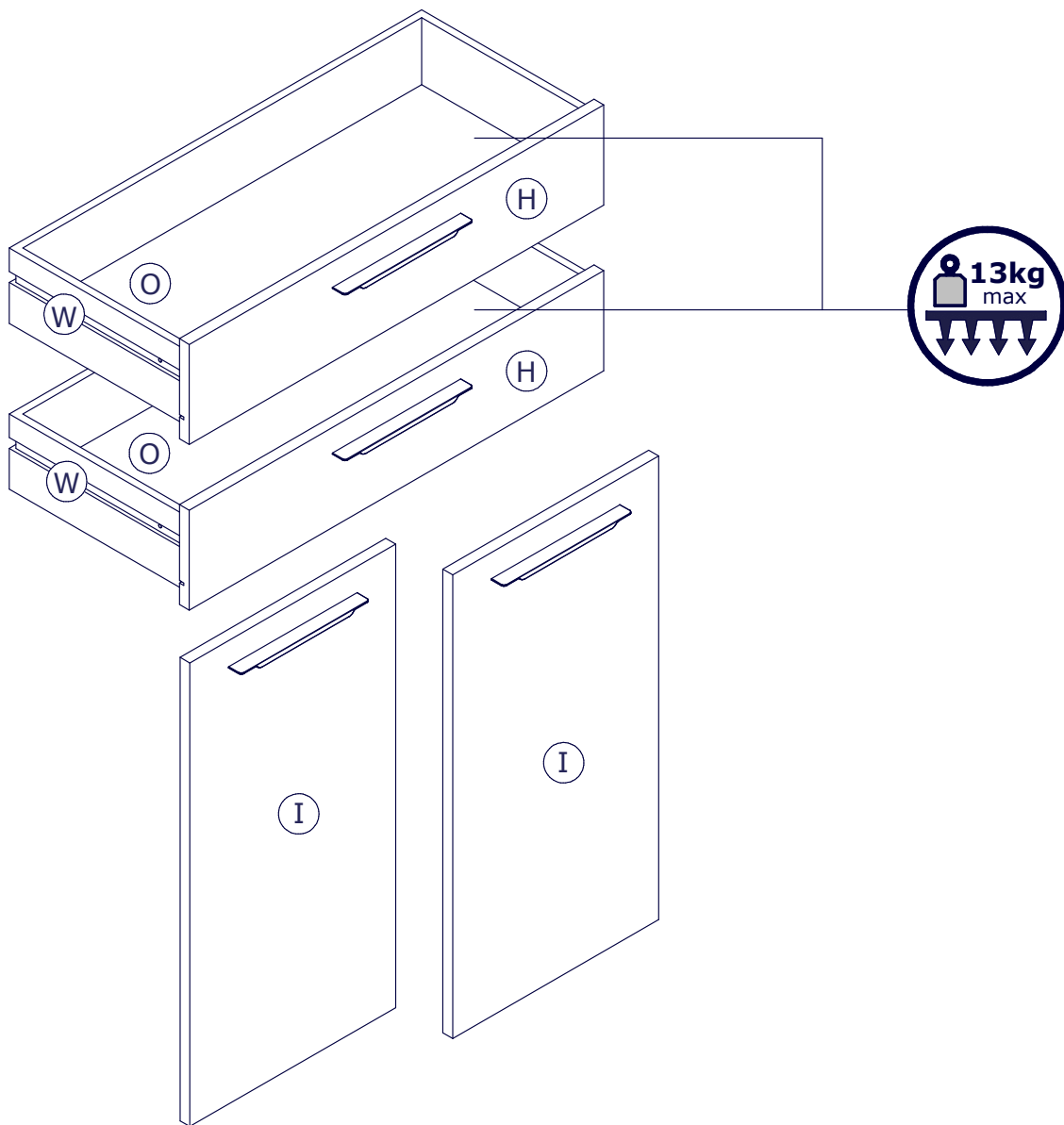
V5
x8



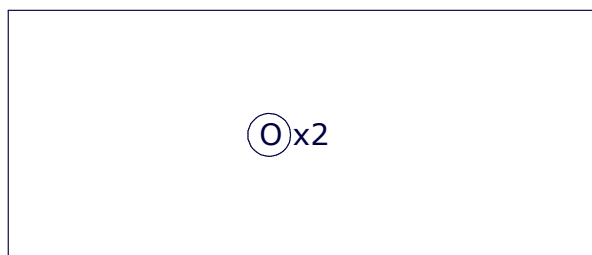
M92
x4



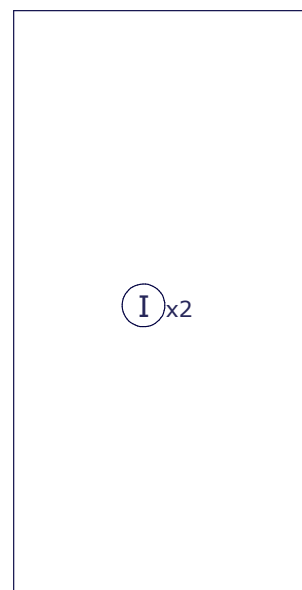
A10
x4



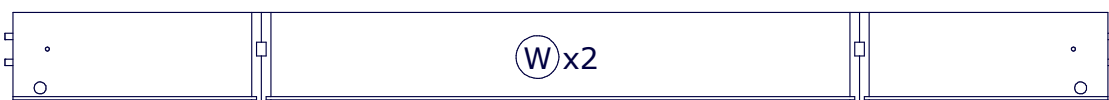
• **CS2241**
751x157x18mm



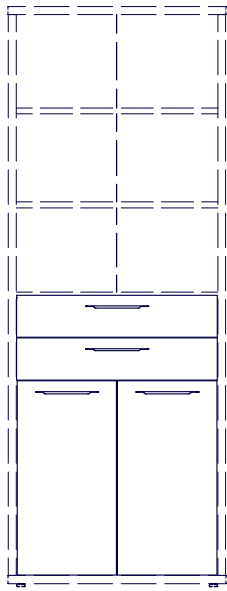
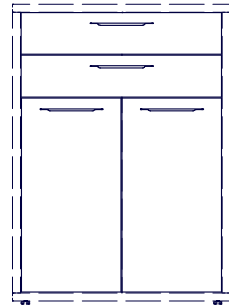
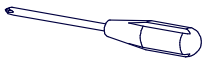
• **SH2536**
734x311x3mm



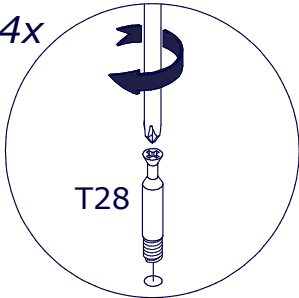
• **AN2053**
727x373x18mm



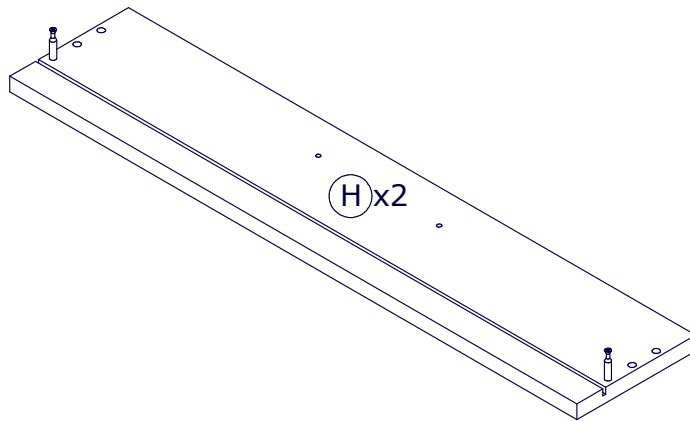
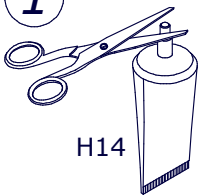
• **OF0277**
310x747x310mm H.118mm

A**B****1**

4x



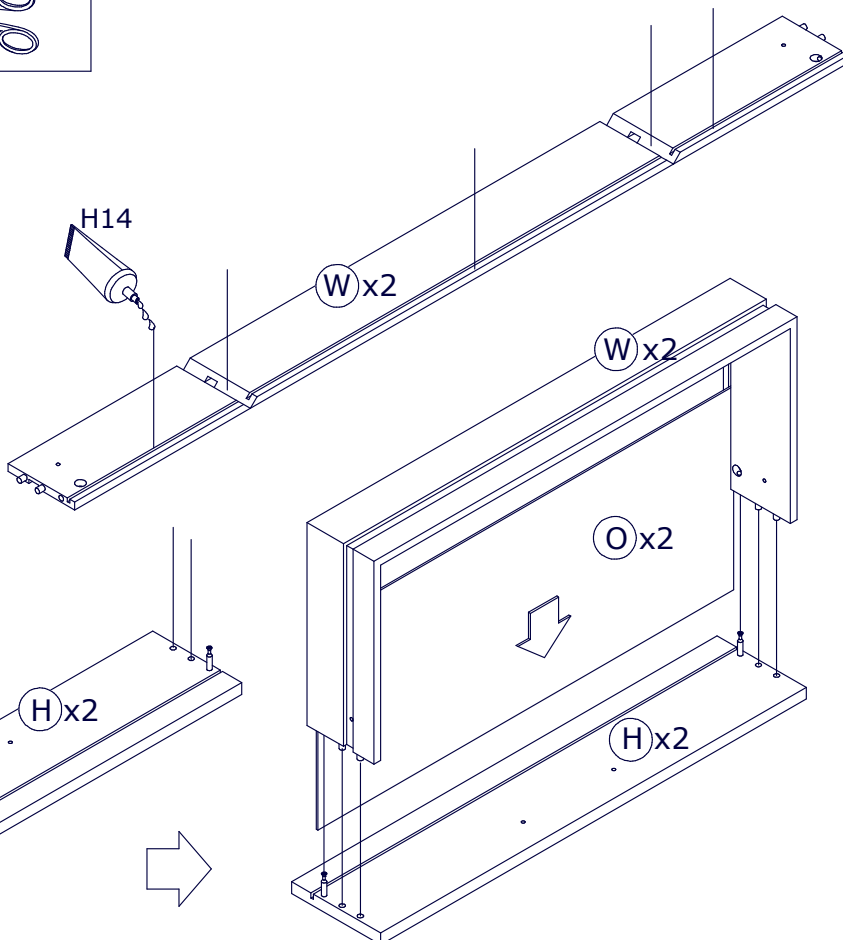
T28

**2****1**

H14

2

H14

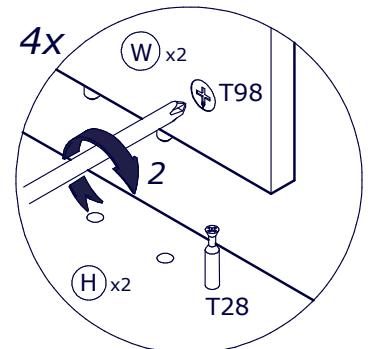


4x

G128



4x



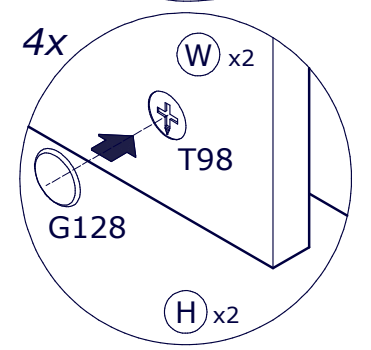
W x2

T98

H x2

T28

4x



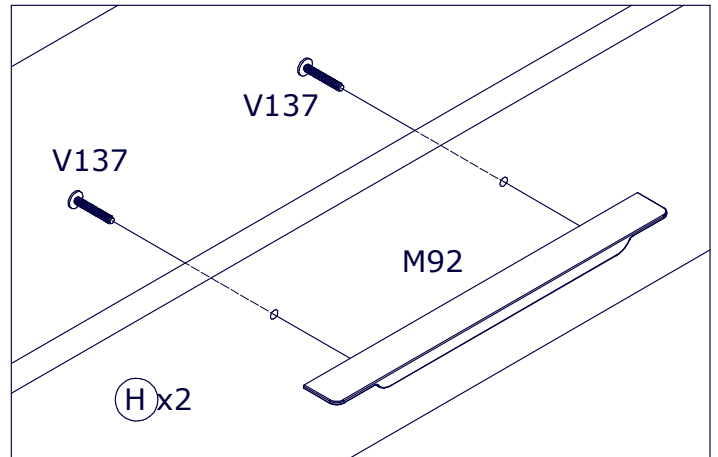
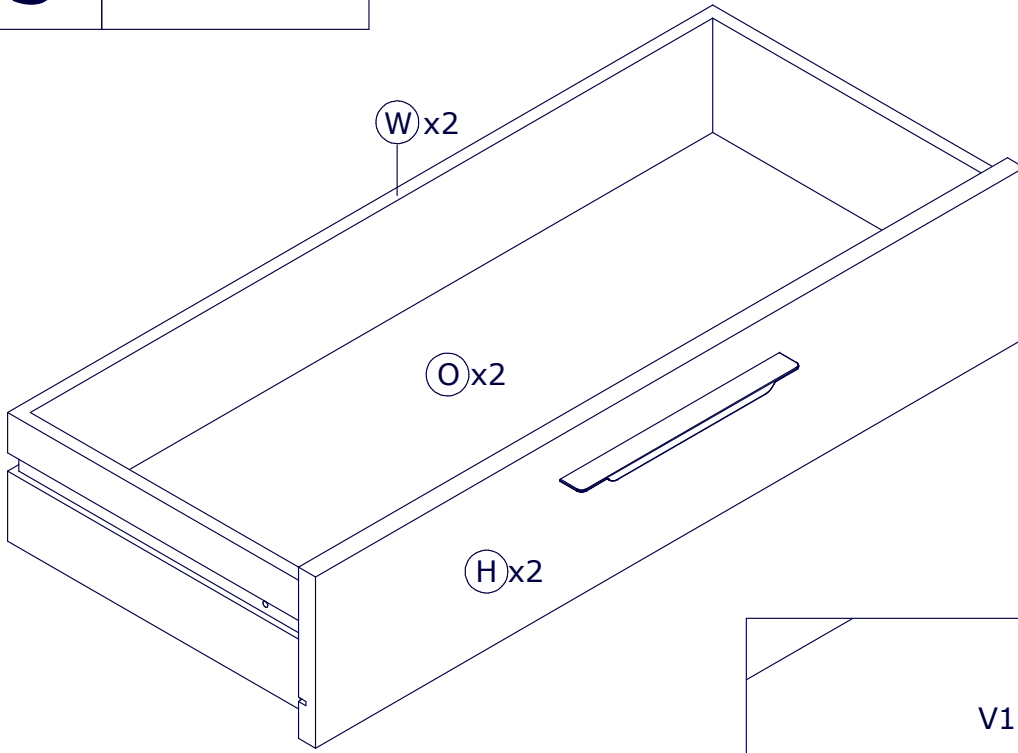
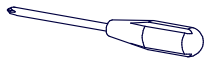
W x2

T98

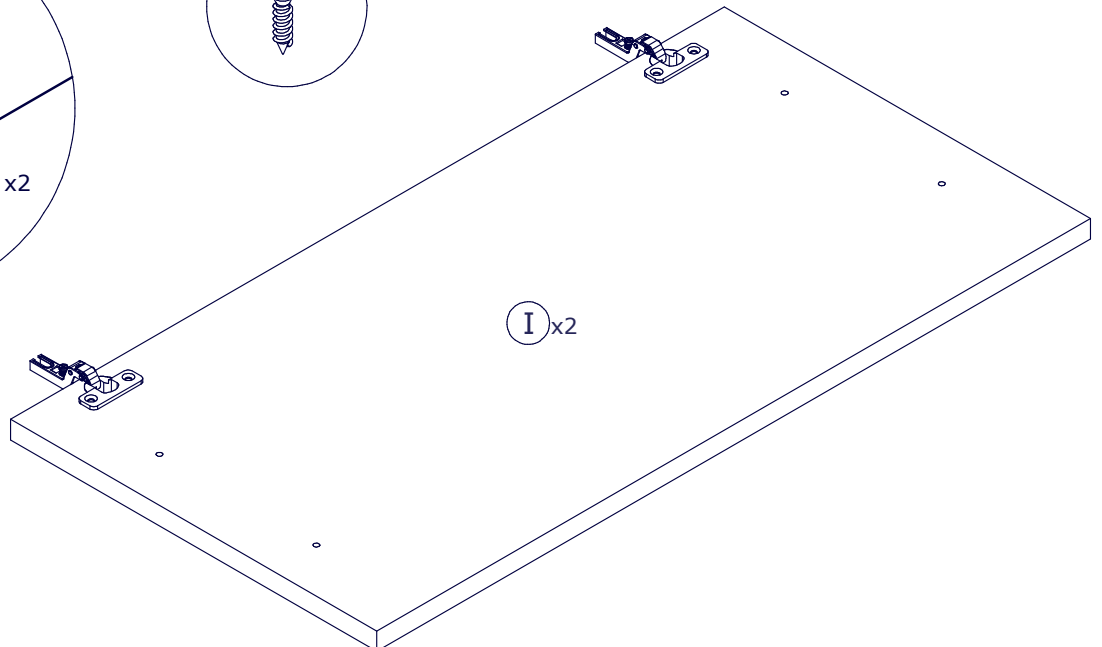
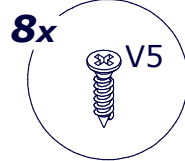
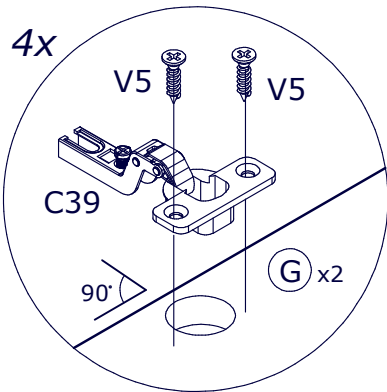
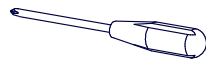
G128

H x2

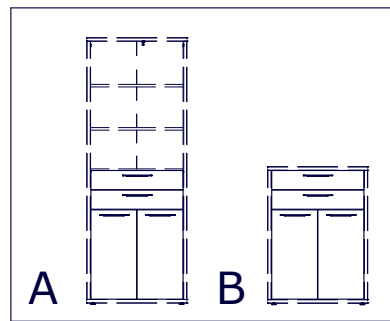
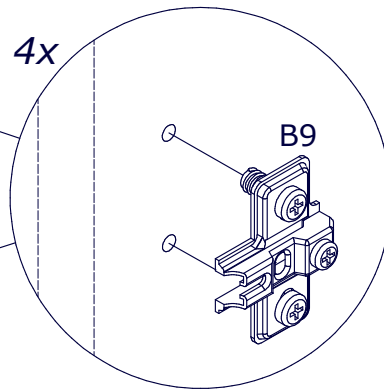
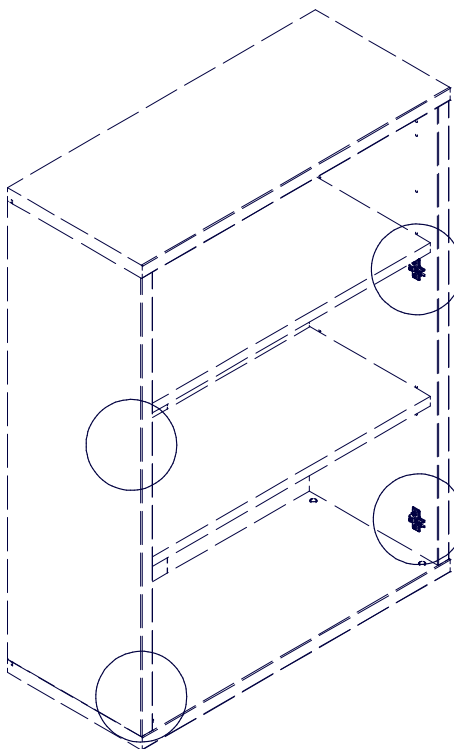
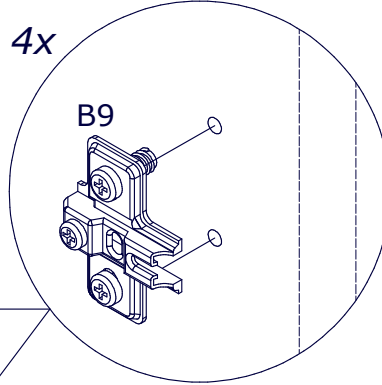
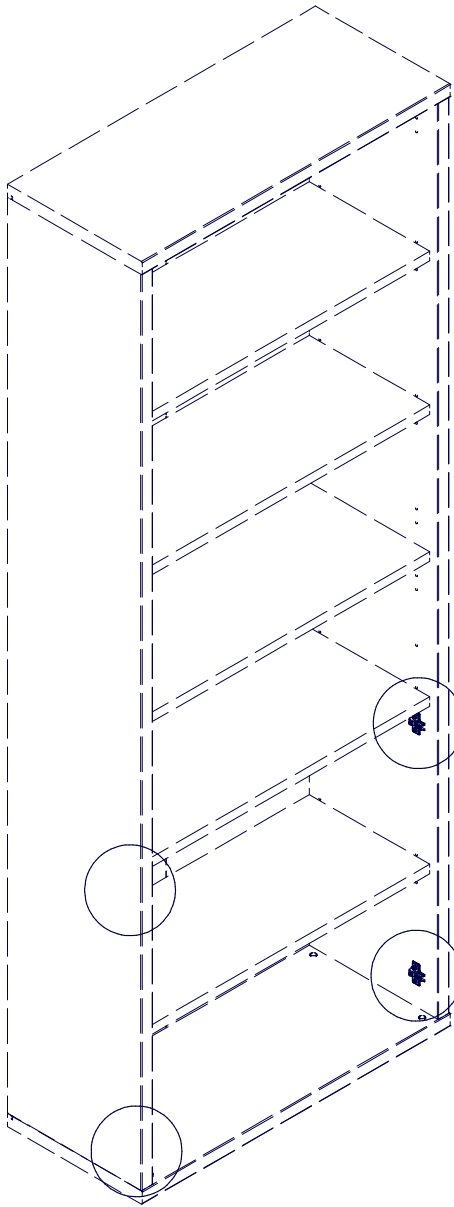
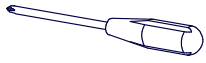
3



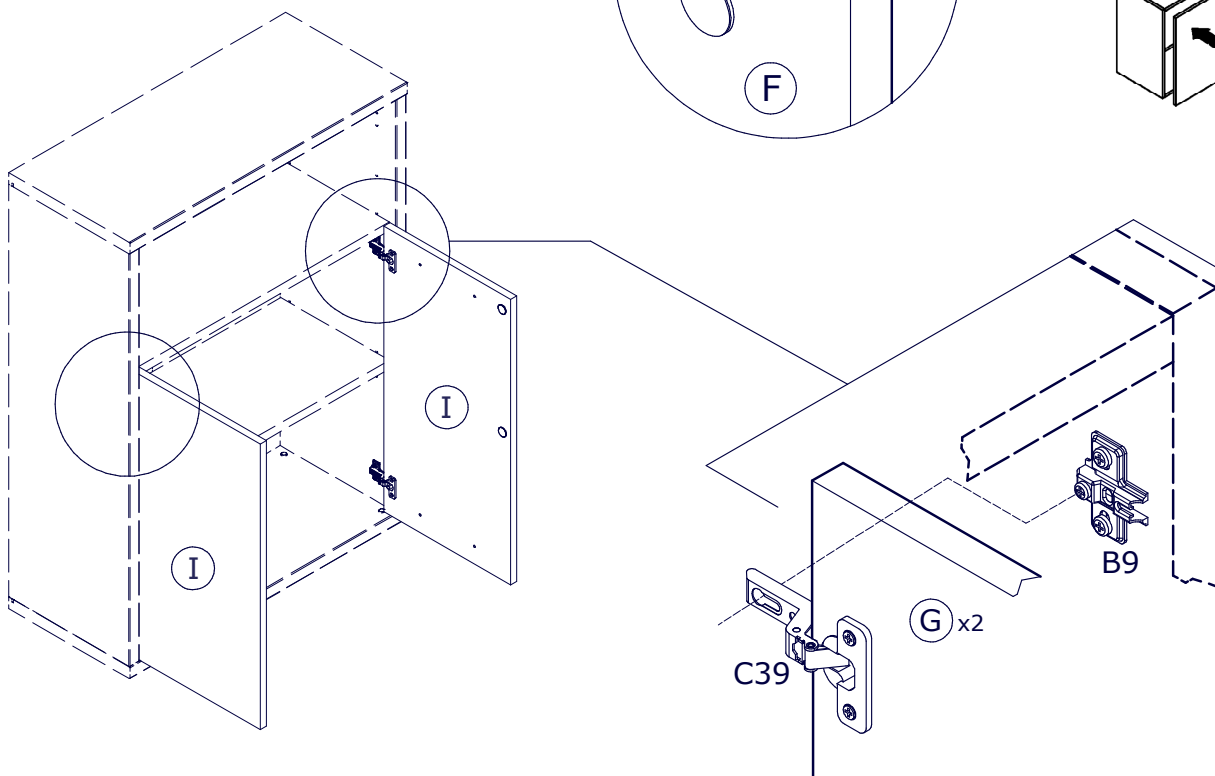
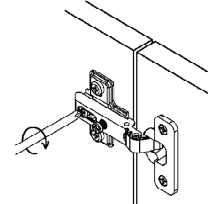
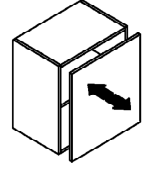
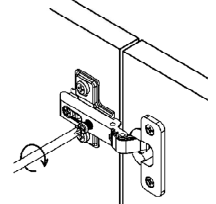
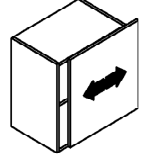
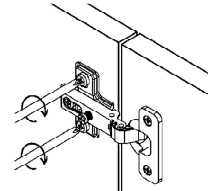
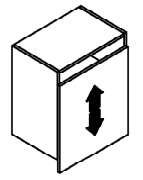
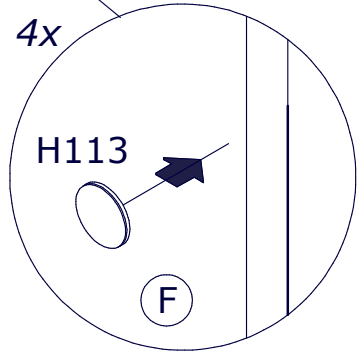
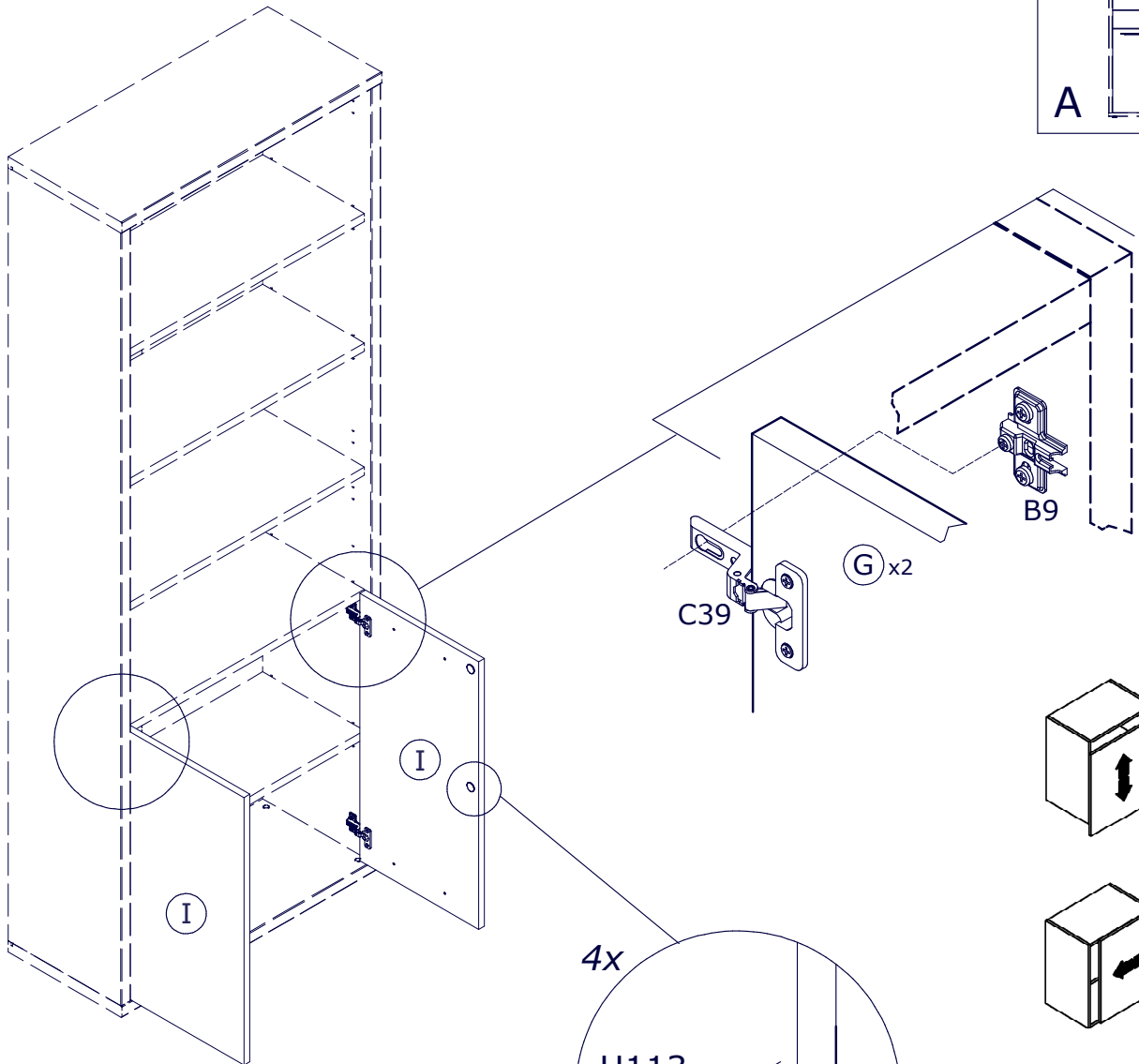
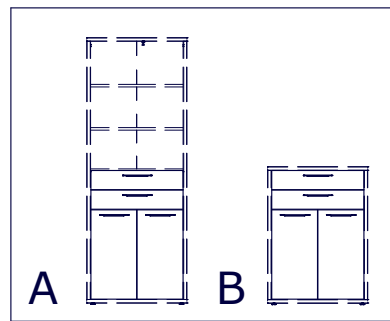
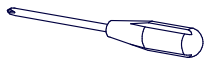
4



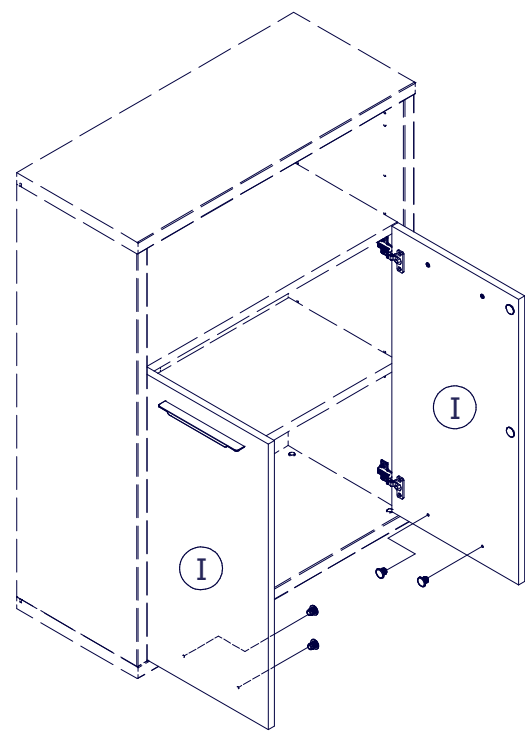
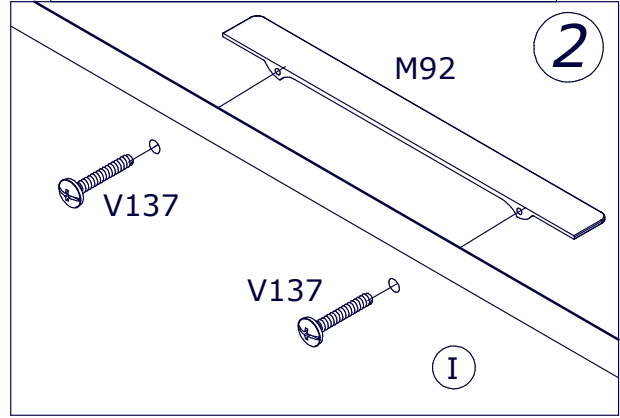
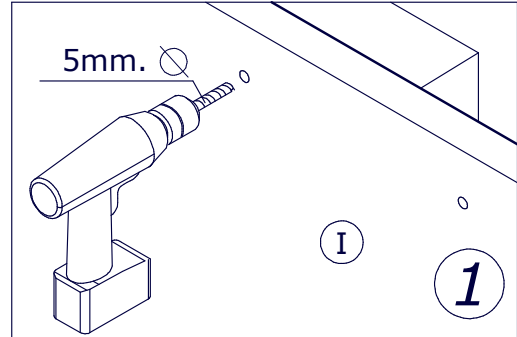
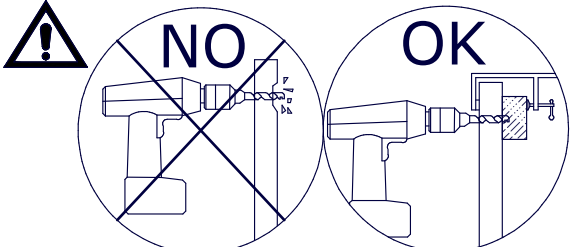
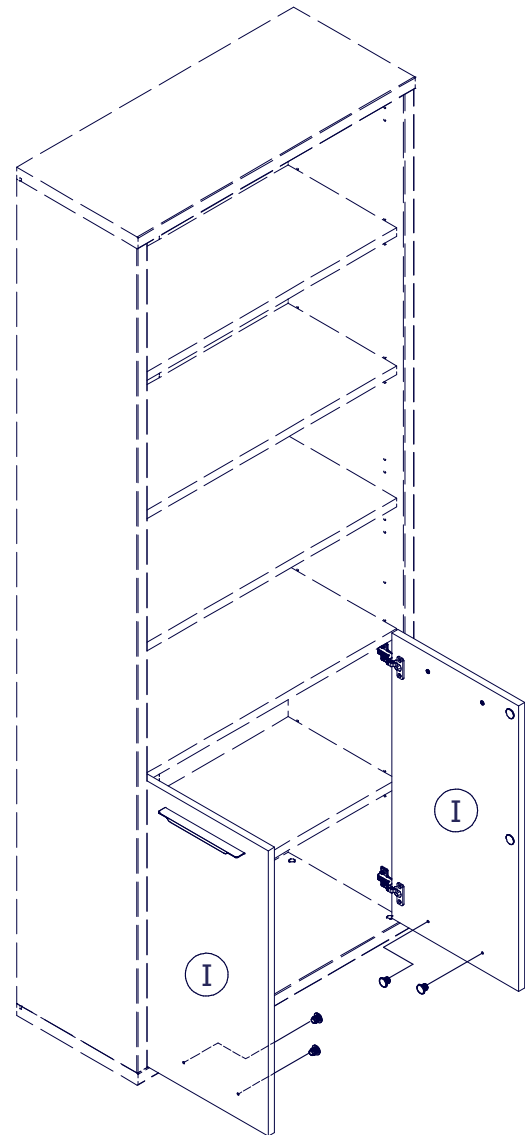
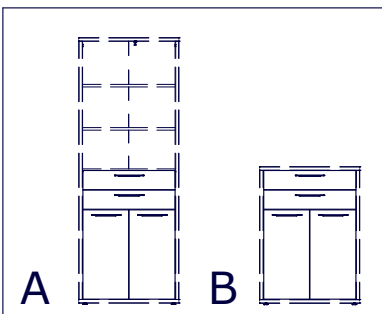
5



6



7



8

