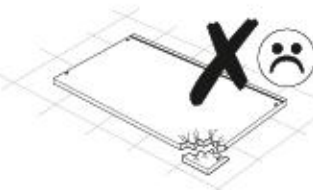
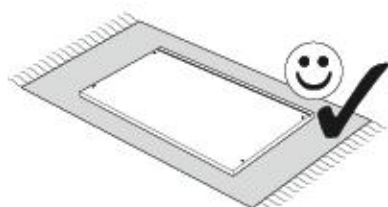
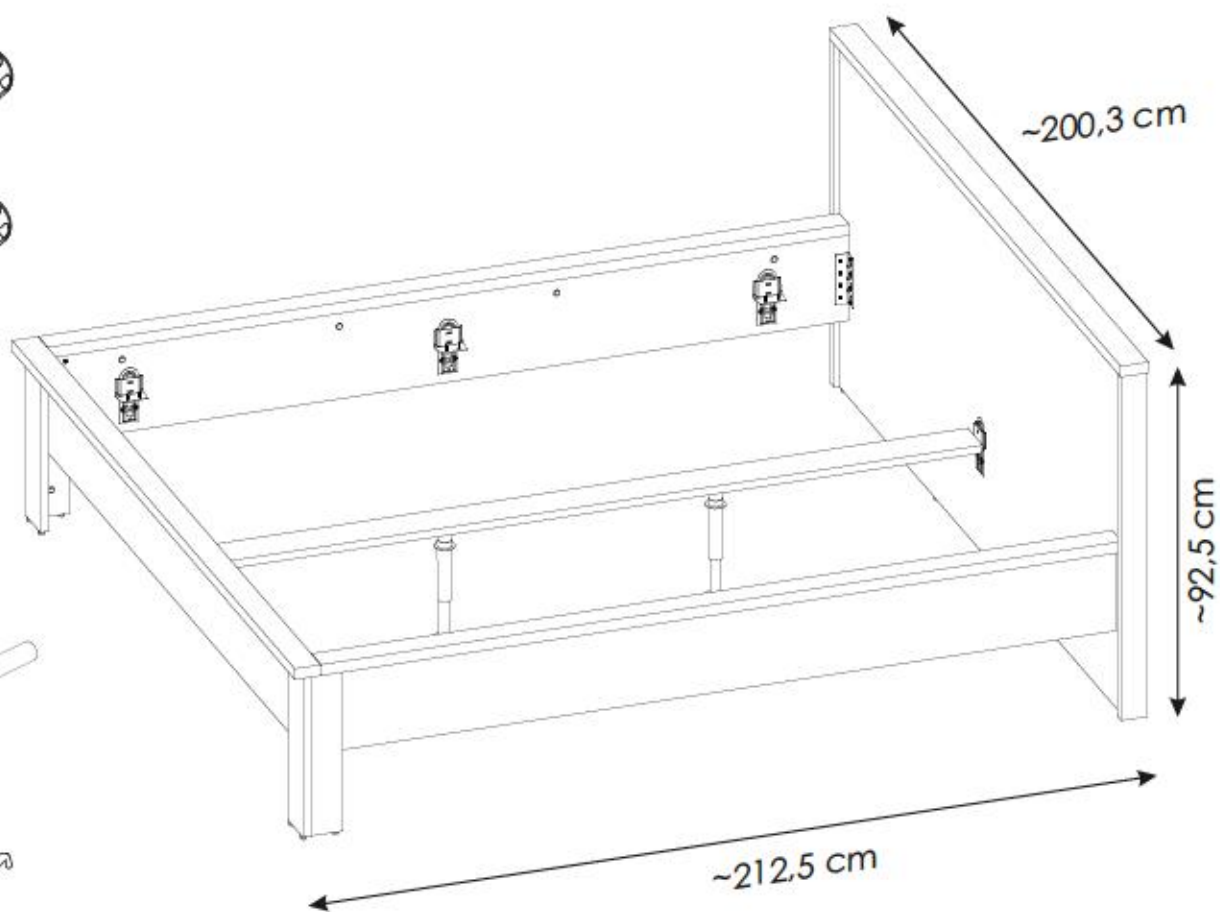
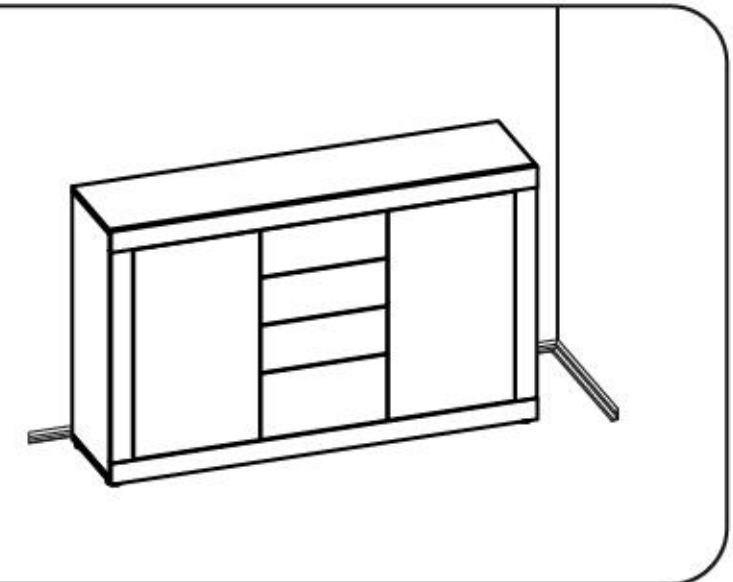
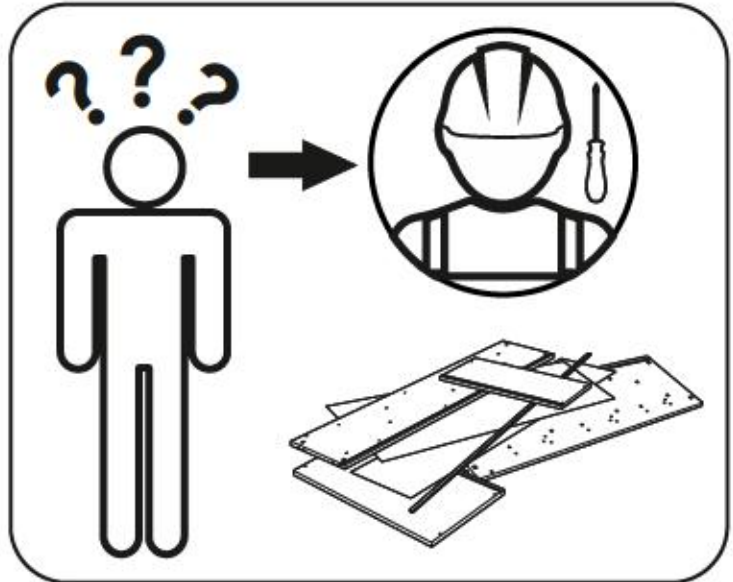
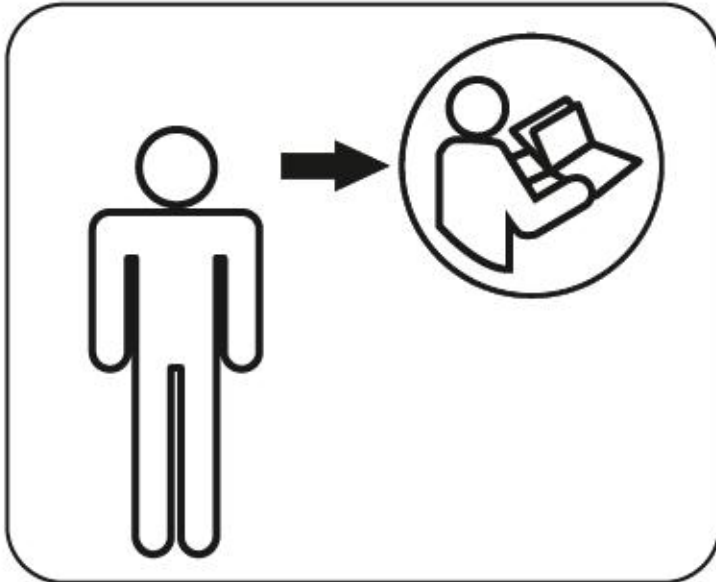
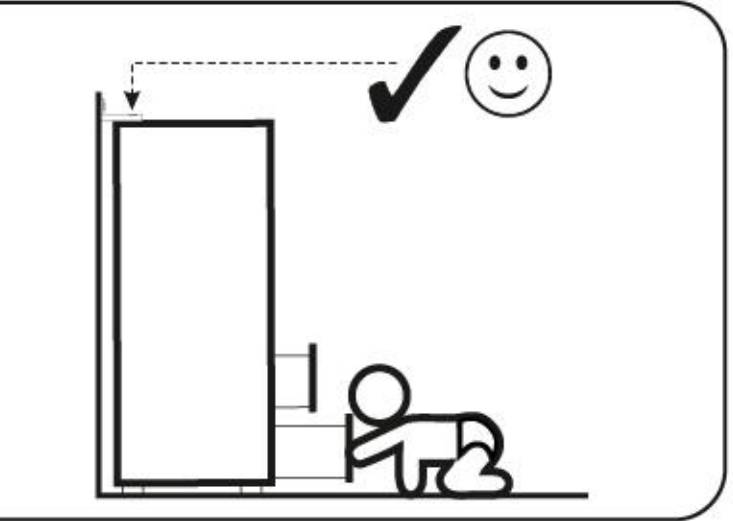
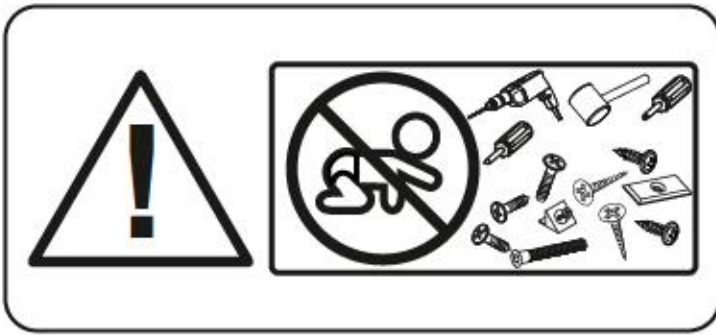
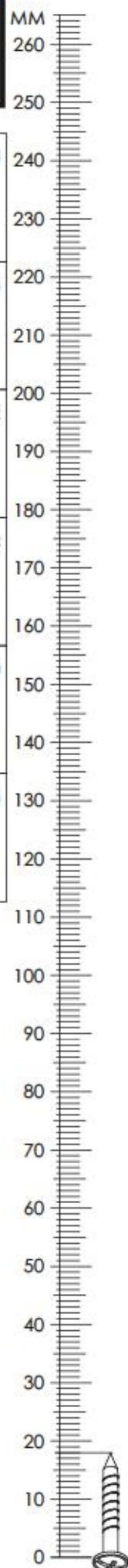


1PPASC94/1YYASC94



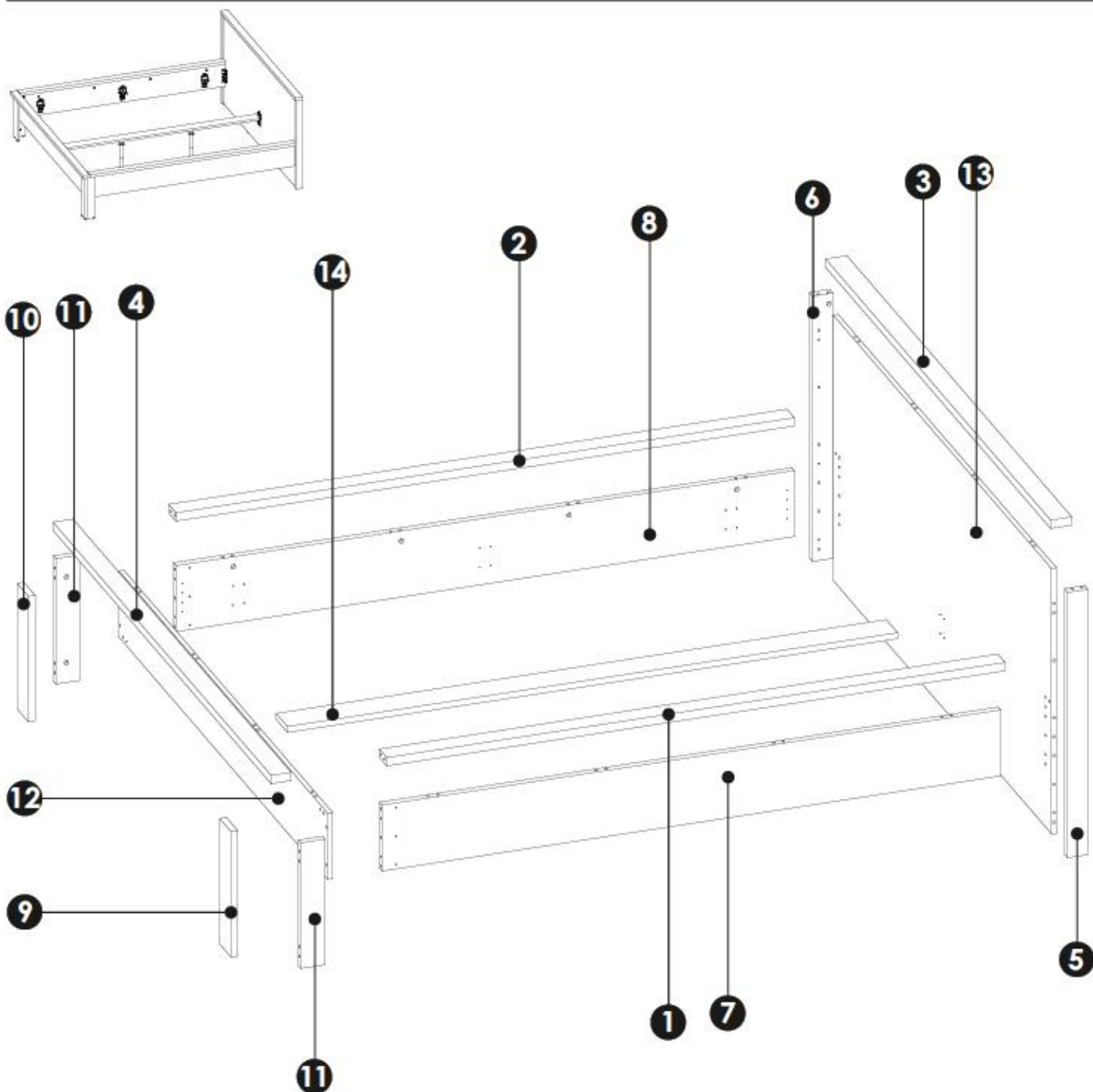


1PPASC94/1YYASC94



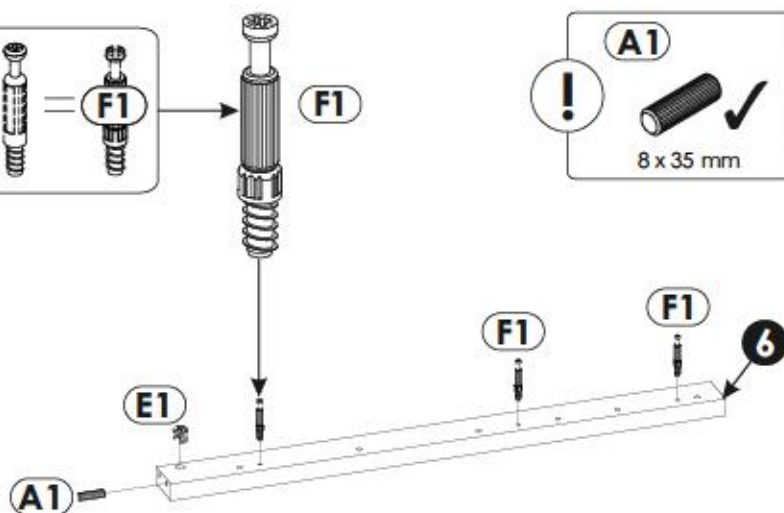
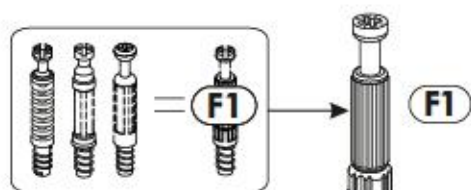
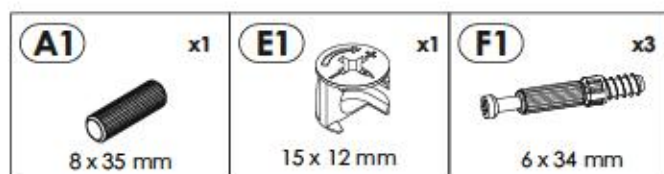
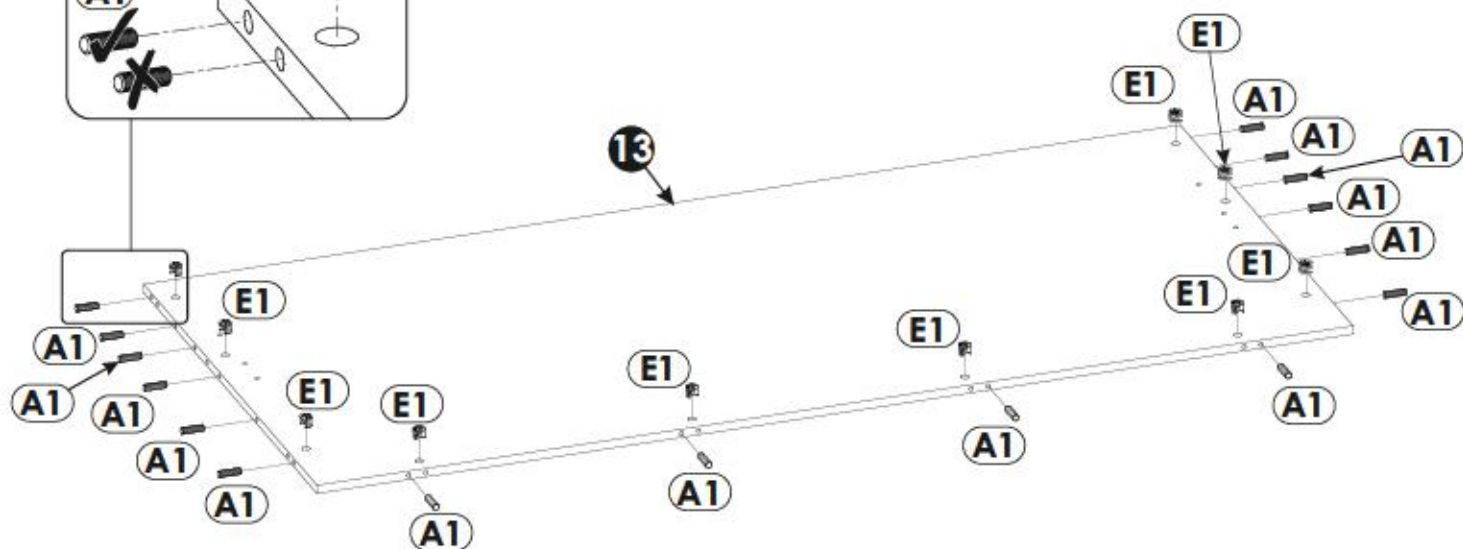
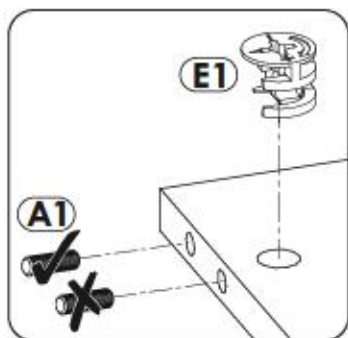
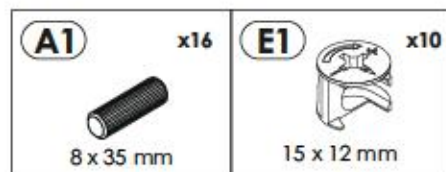
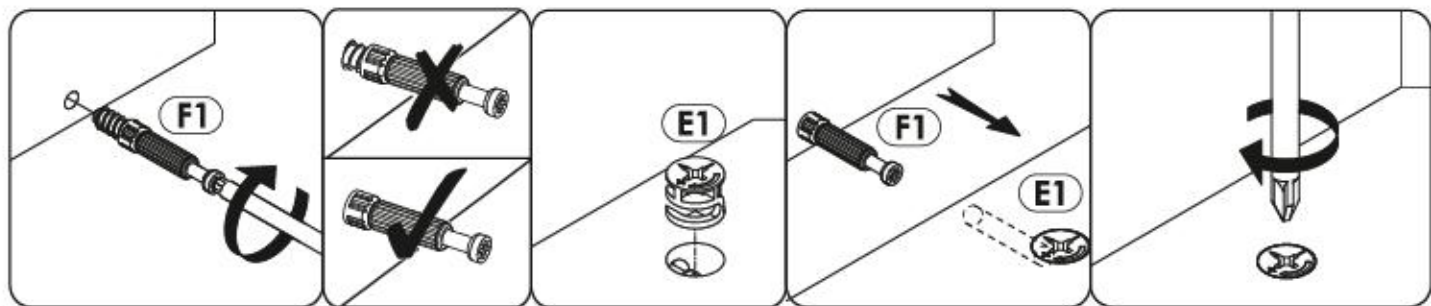
A1	8 x 35 mm	x48	A2	8 x 45 mm	x2	A6	8 x 24 mm	x4
C2	5 x 13 mm	x8	C4	5 x 20 mm	x24	E0	Ø16	x14
E1	15 x 12 mm	x32	F1	6 x 34 mm	x28	F3	7 x 64 mm	x2
G2	7 x 60 mm	x10	I2	4 x 16 mm	x32	I14	4 x 35 mm	x12
M		x1	N5	3,5 x 16 mm	x20	O2		x10
O24		x2	O25		x2	W14		x4
W15		x8						

1PPASC94/1YYASC94



1	2005	65	28	x1	1/2
2	2005	65	28	x1	1/2
3	2003	69	28	x1	1/2
4	1943	65	28	x1	2/2
5	892	65	28	x1	1/2
6	892	65	28	x1	1/2
7	2005	222	22	x1	1/2

8	2005	222	22	x1	1/2
9	422	100	22	x1	2/2
10	422	100	22	x1	2/2
11	422	78	22	x2	2/2
12	1859	222	16	x1	2/2
13	892	1945	16	x1	2/2
14	1988	100	20	x1	1/2

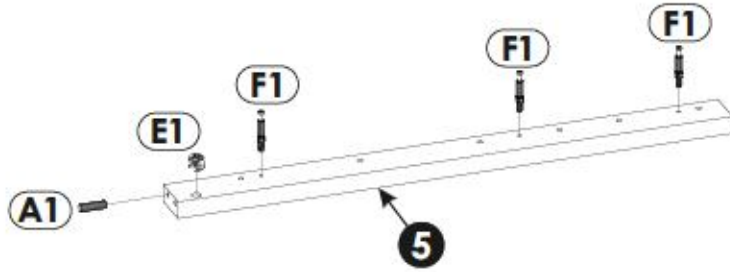


3

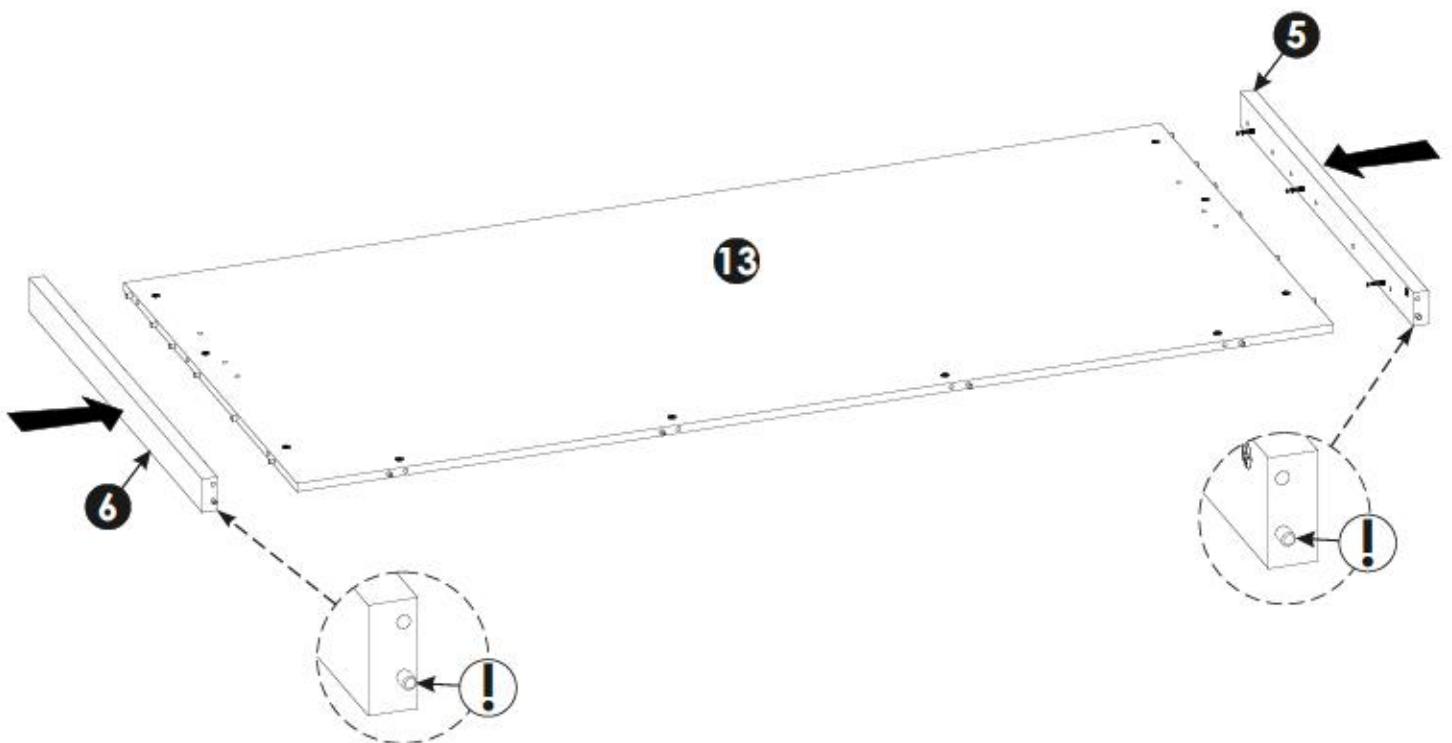
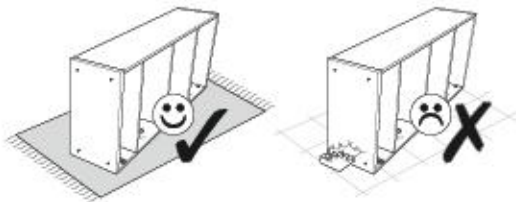


A1 8 x 35 mm x1	E1 15 x 12 mm x1	F1 6 x 34 mm x3
------------------------------	-------------------------------	------------------------------

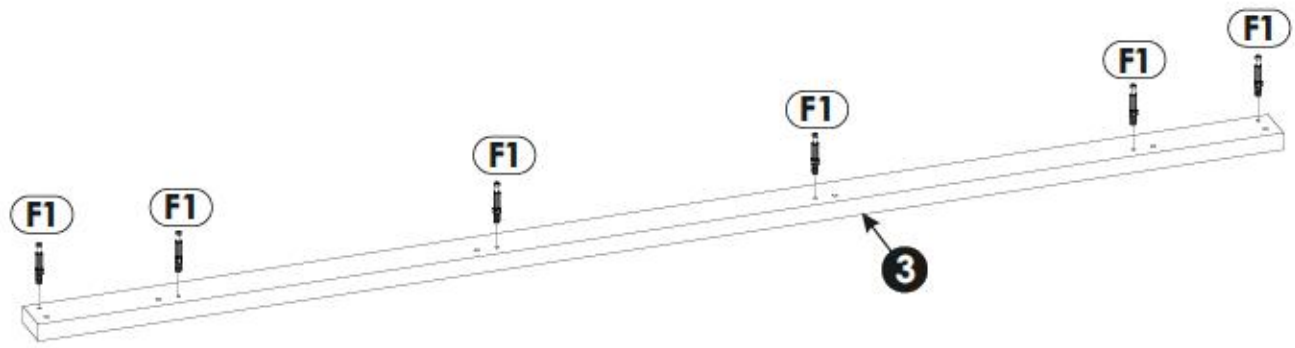
! A1 8 x 35 mm ✓	A2 8 x 45 mm ✗	A6 8 x 24 mm ✗
---	-----------------------------	-----------------------------



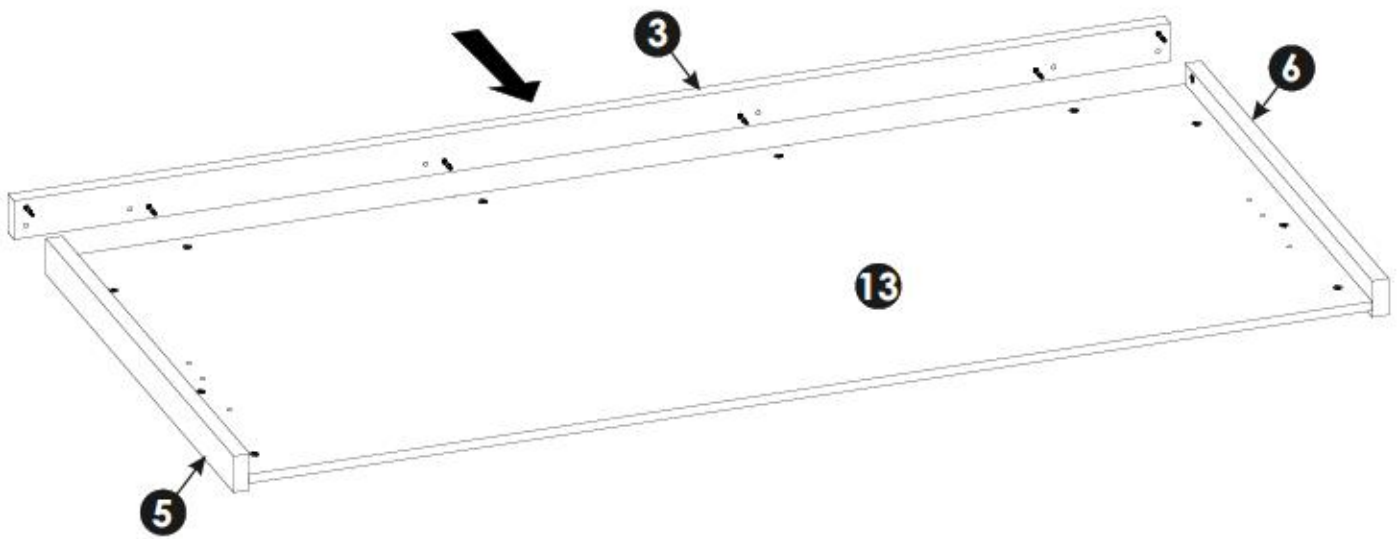
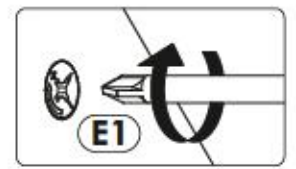
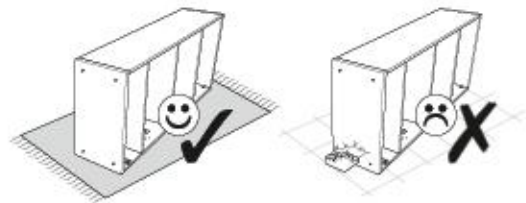
4

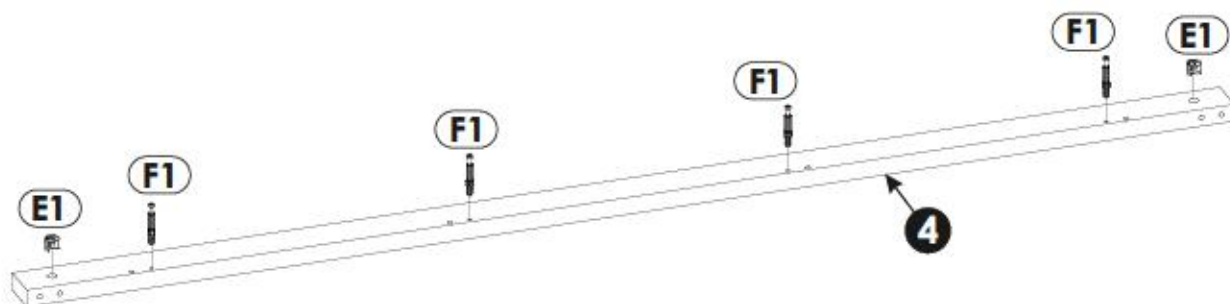
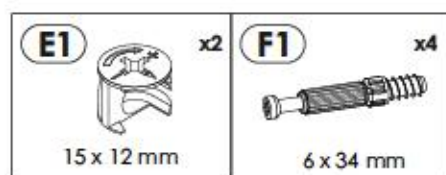
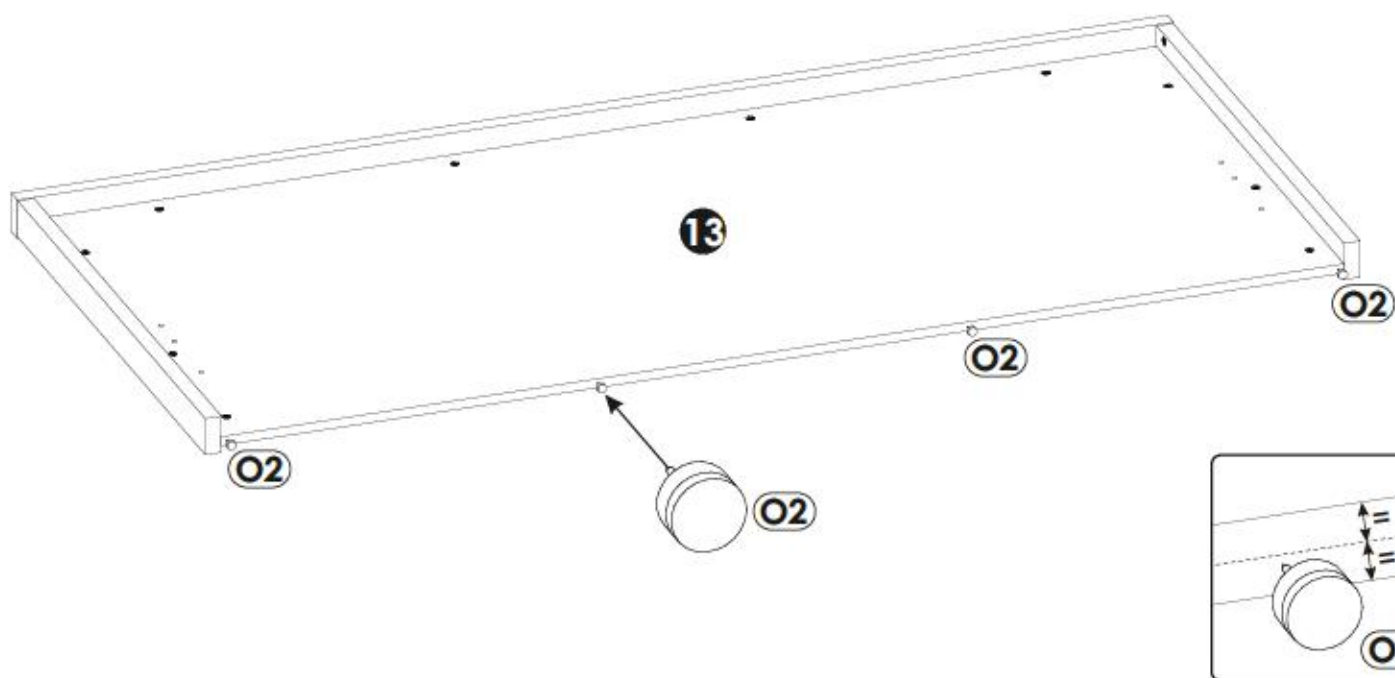
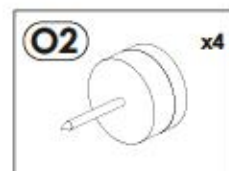


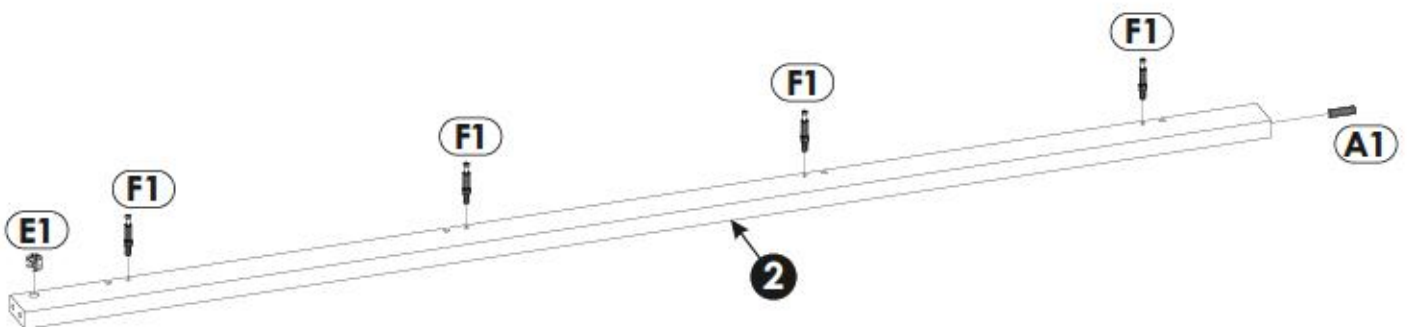
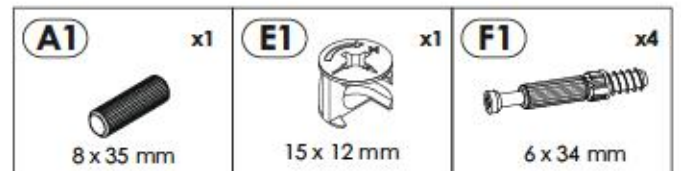
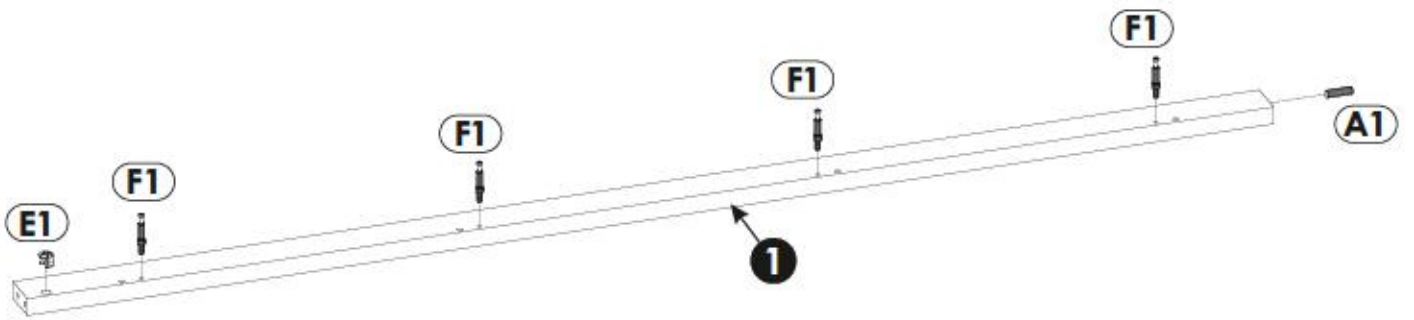
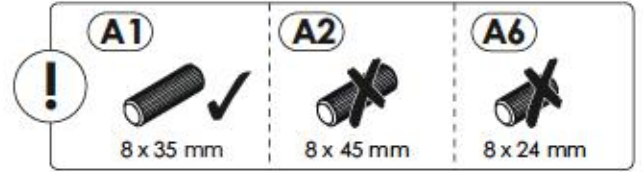
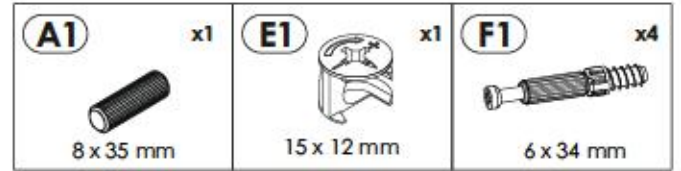
5 ▶



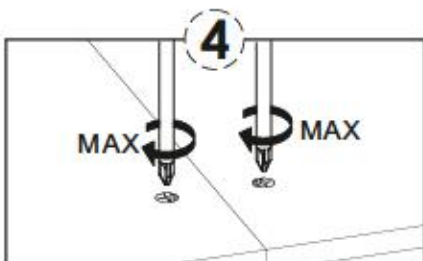
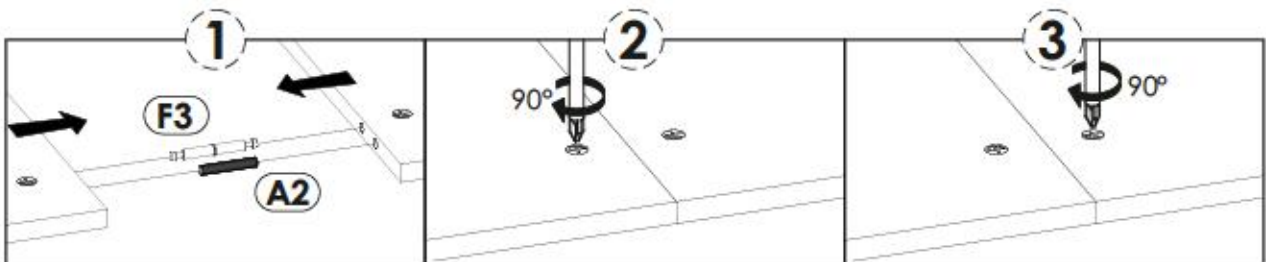
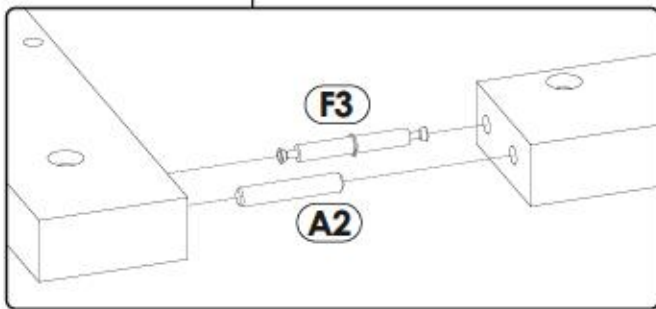
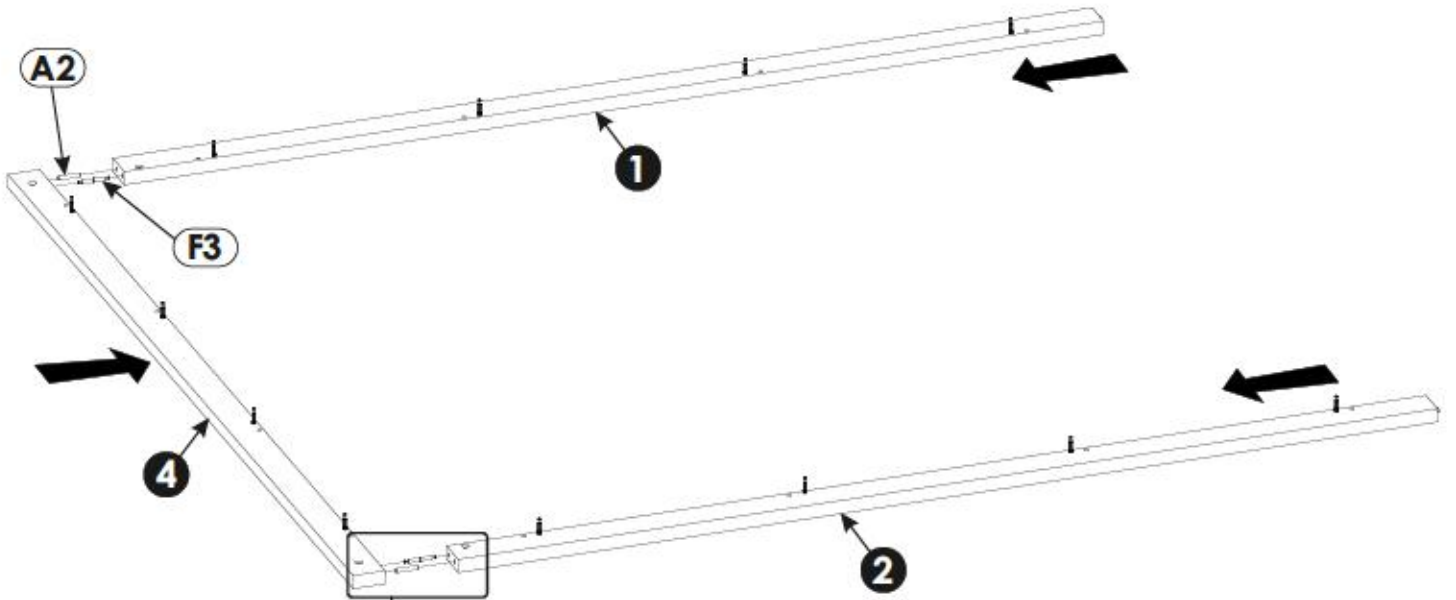
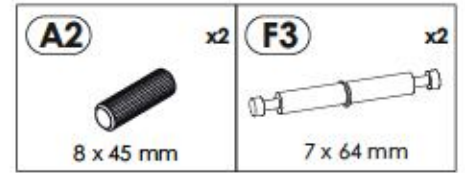
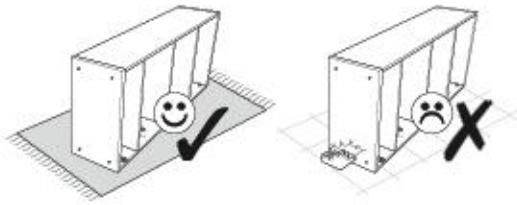
6 ▶



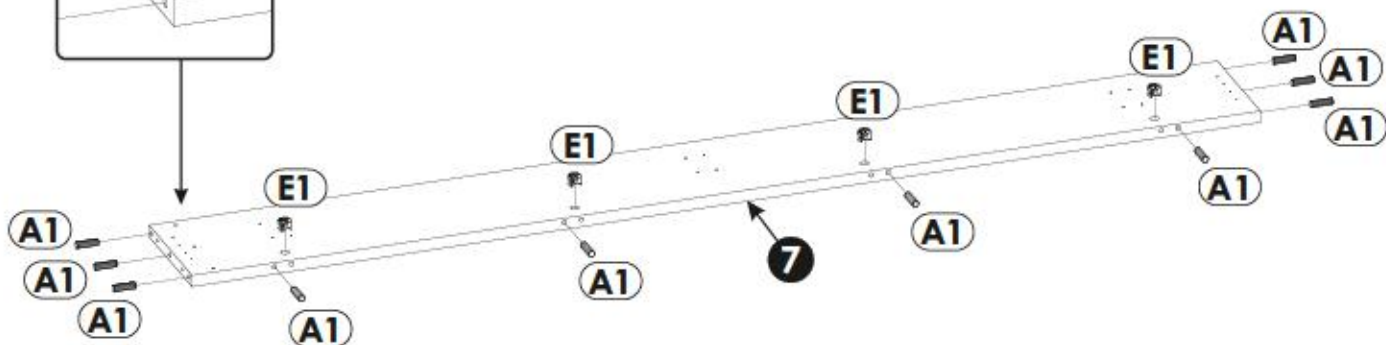
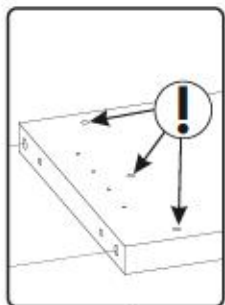
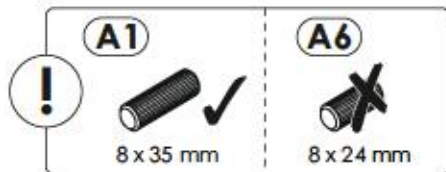
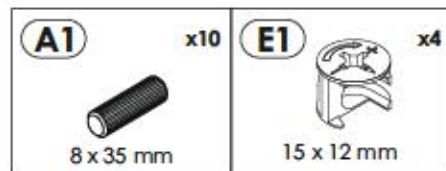




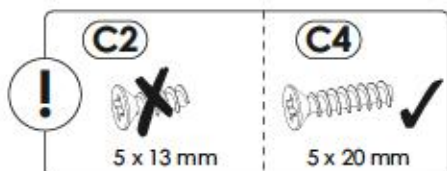
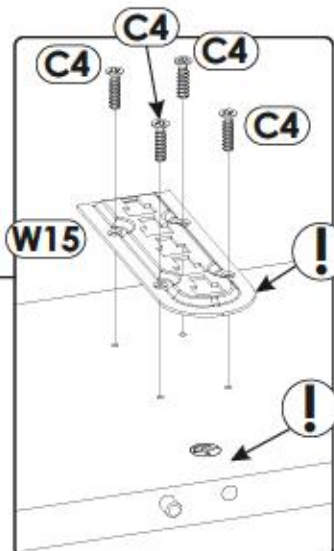
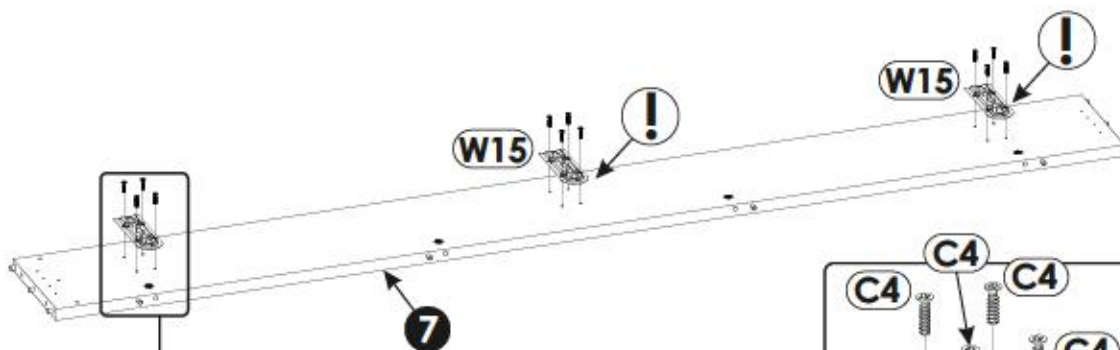
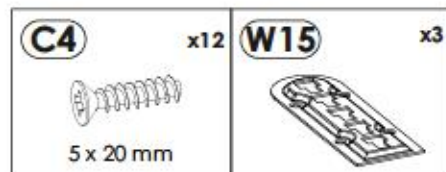
11 ▶



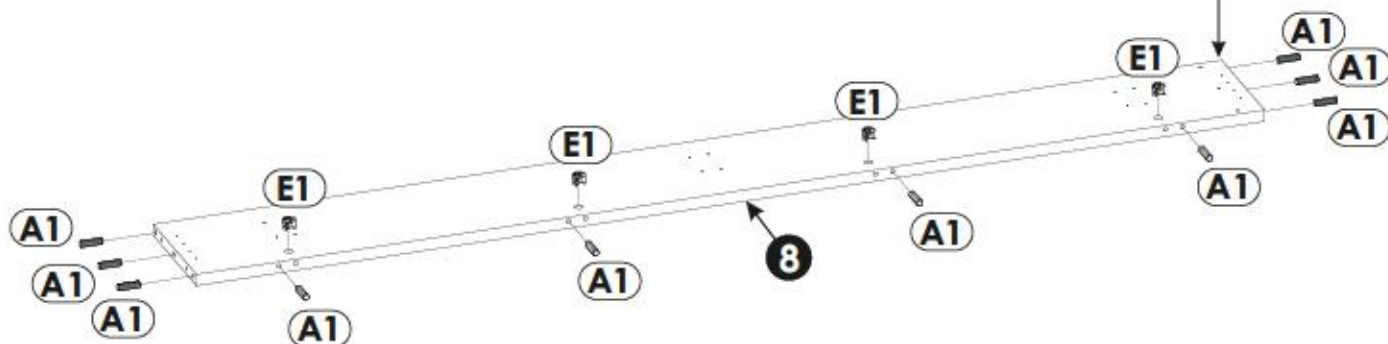
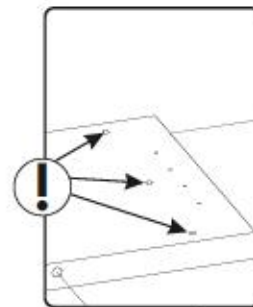
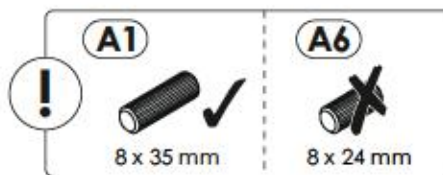
12▶



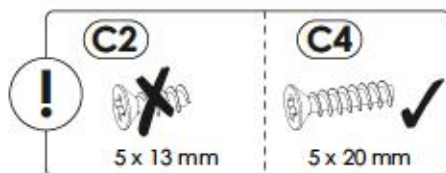
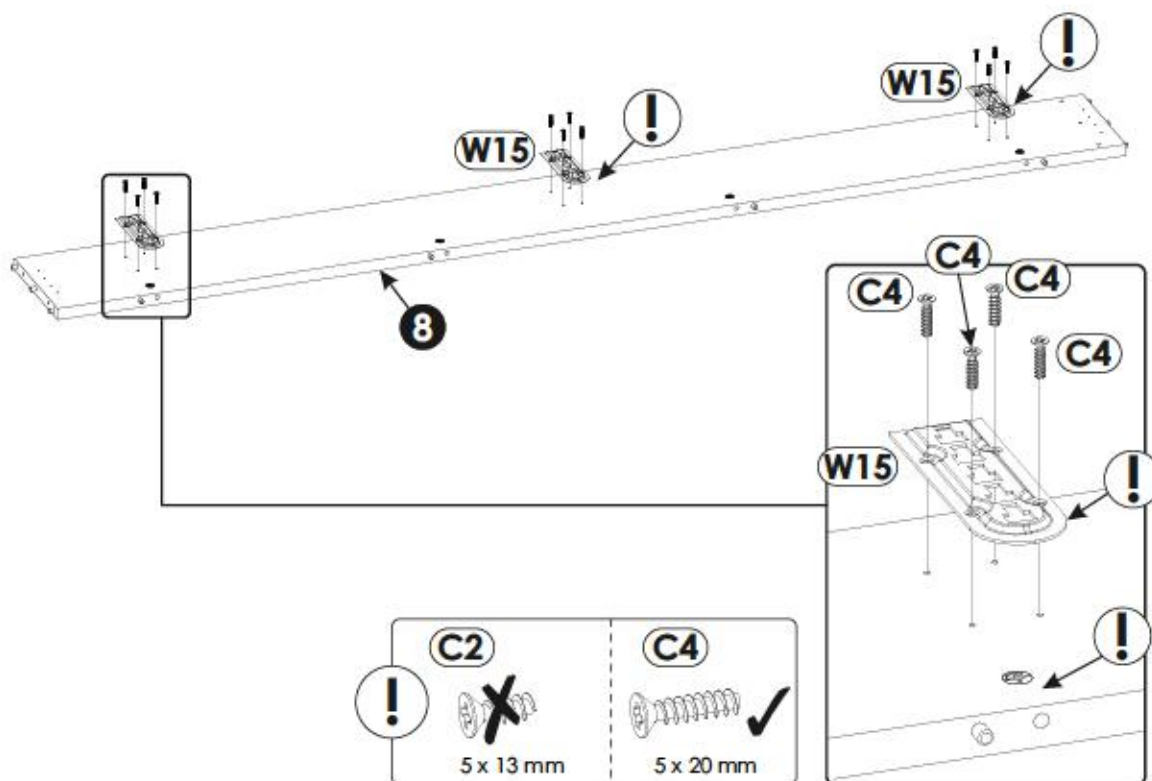
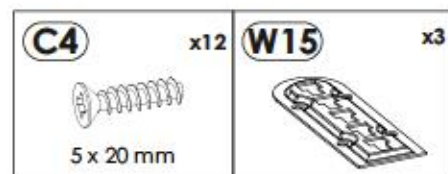
13▶



14▶



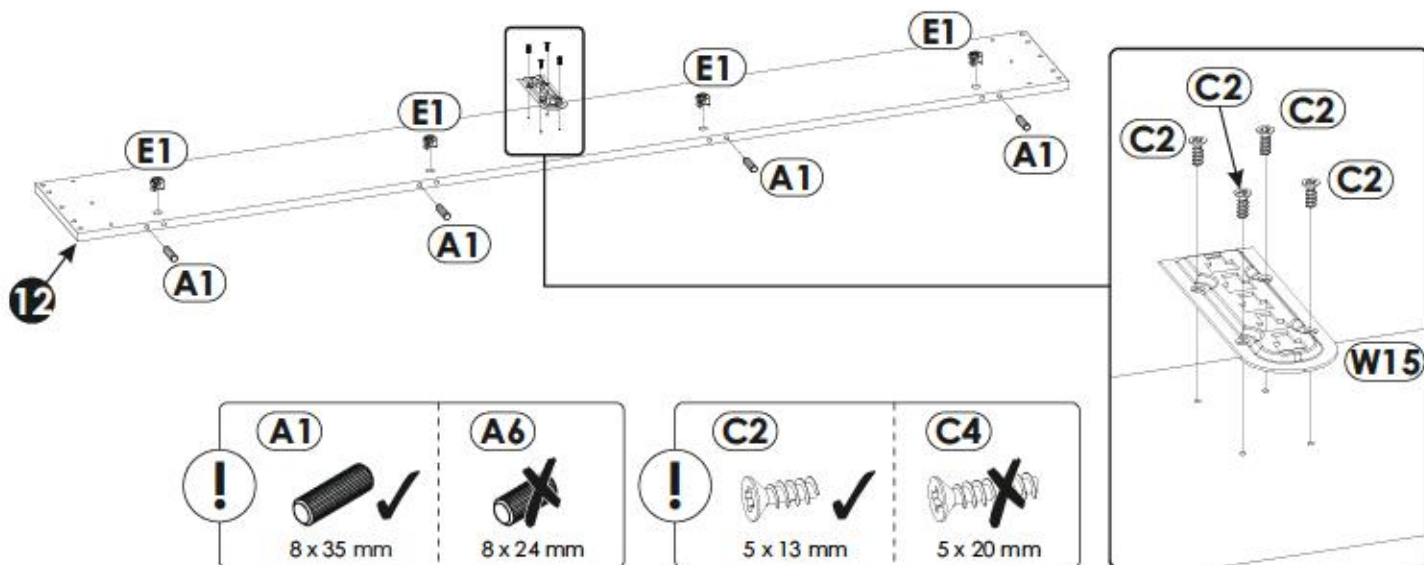
15▶



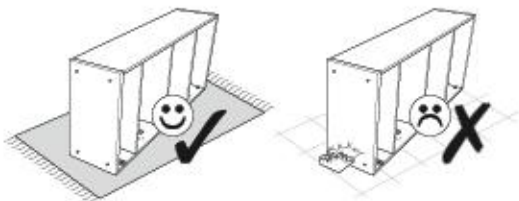
16▶



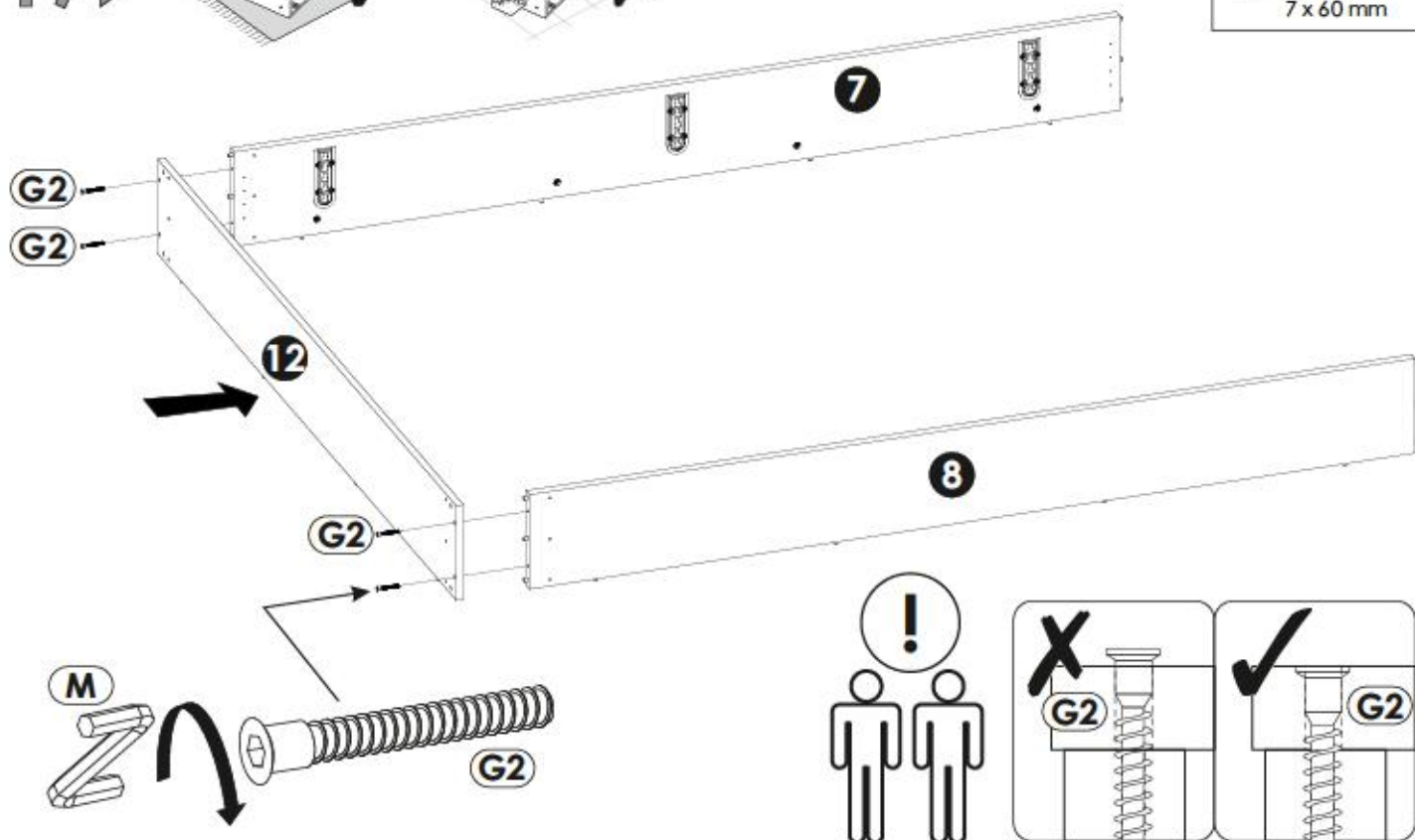
A1 8 x 35 mm x4	C2 5 x 13 mm x4	E1 15 x 12 mm x4
W15 x1		



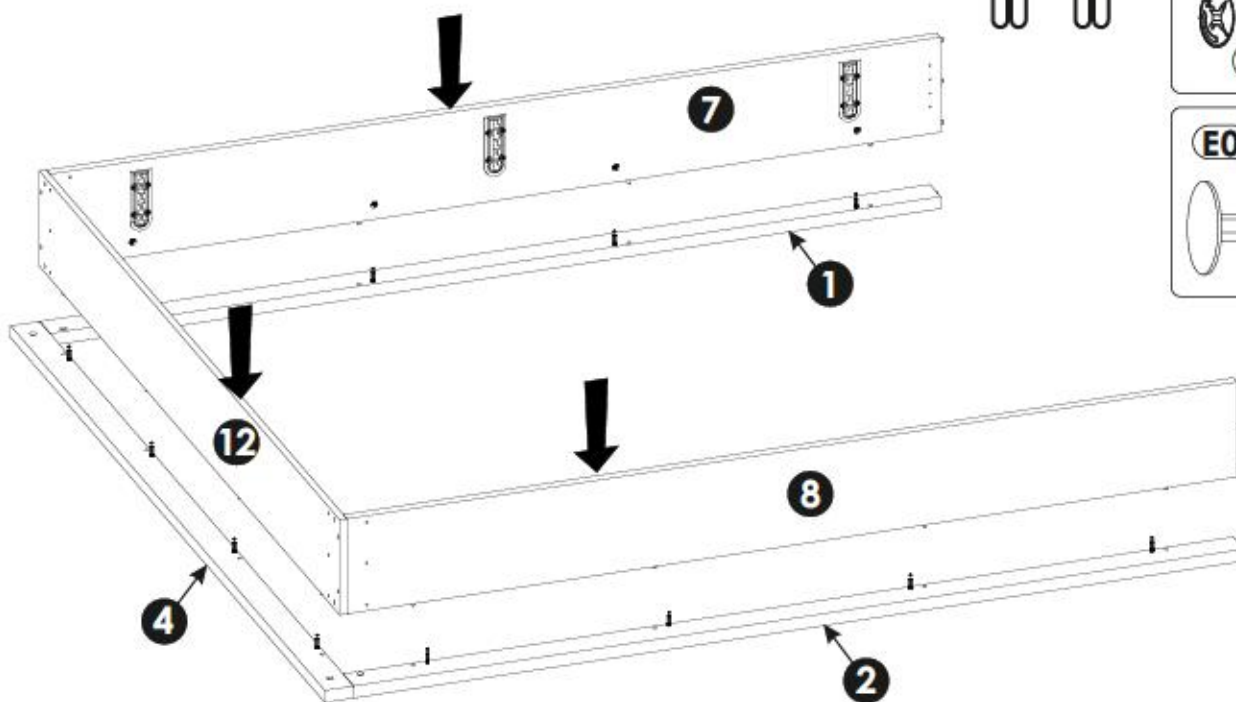
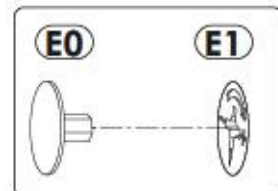
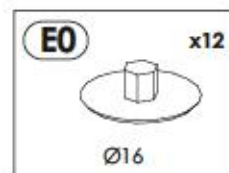
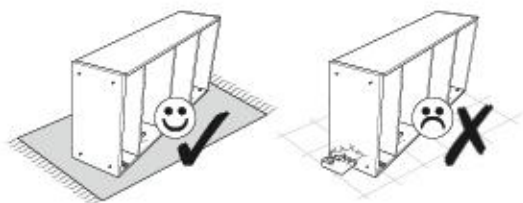
17▶



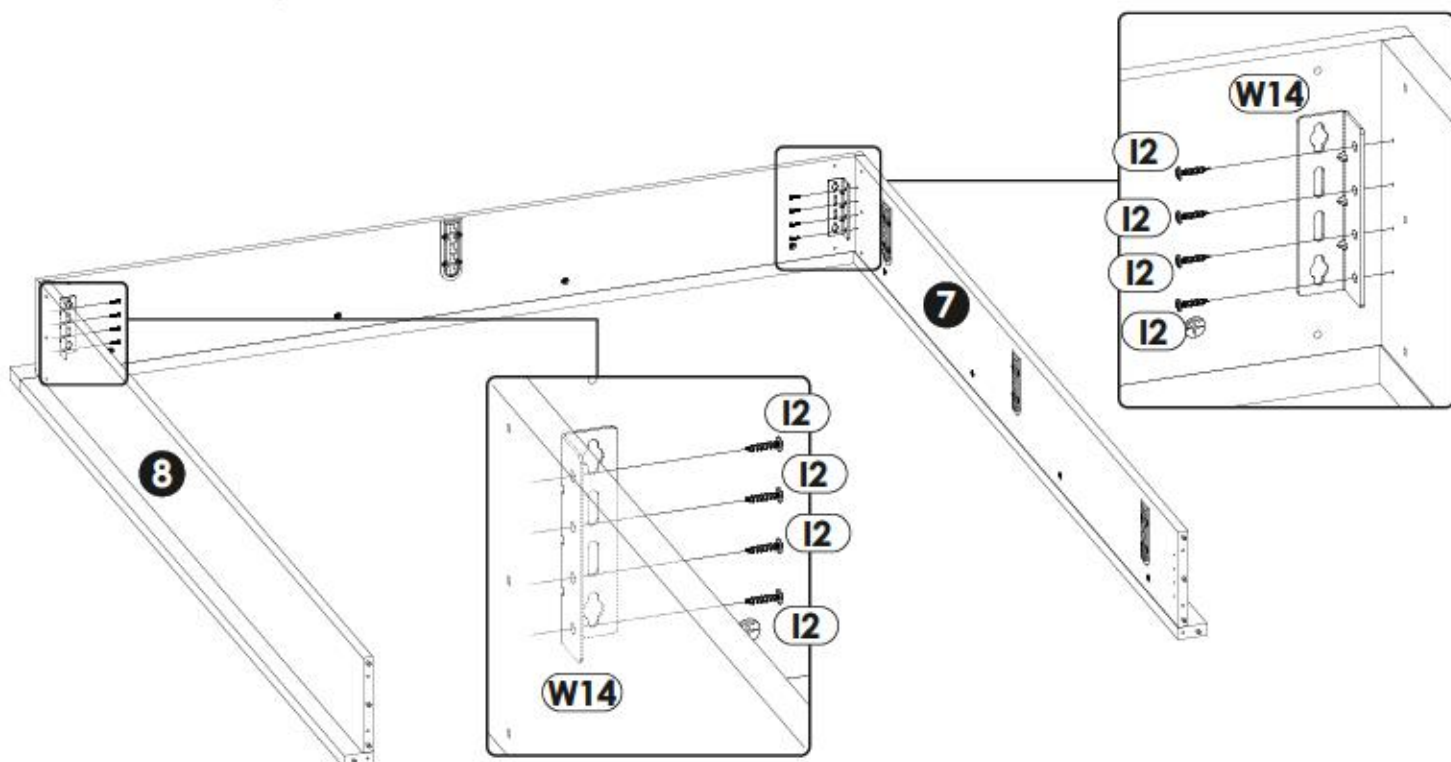
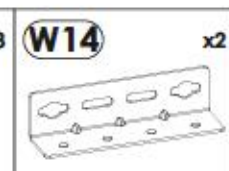
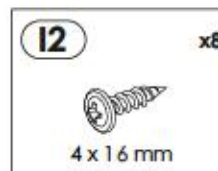
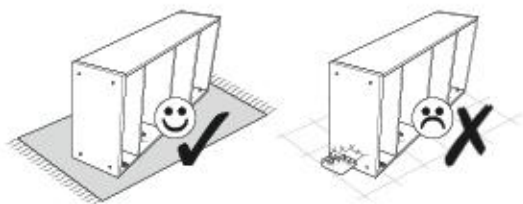
G2 7 x 60 mm x4



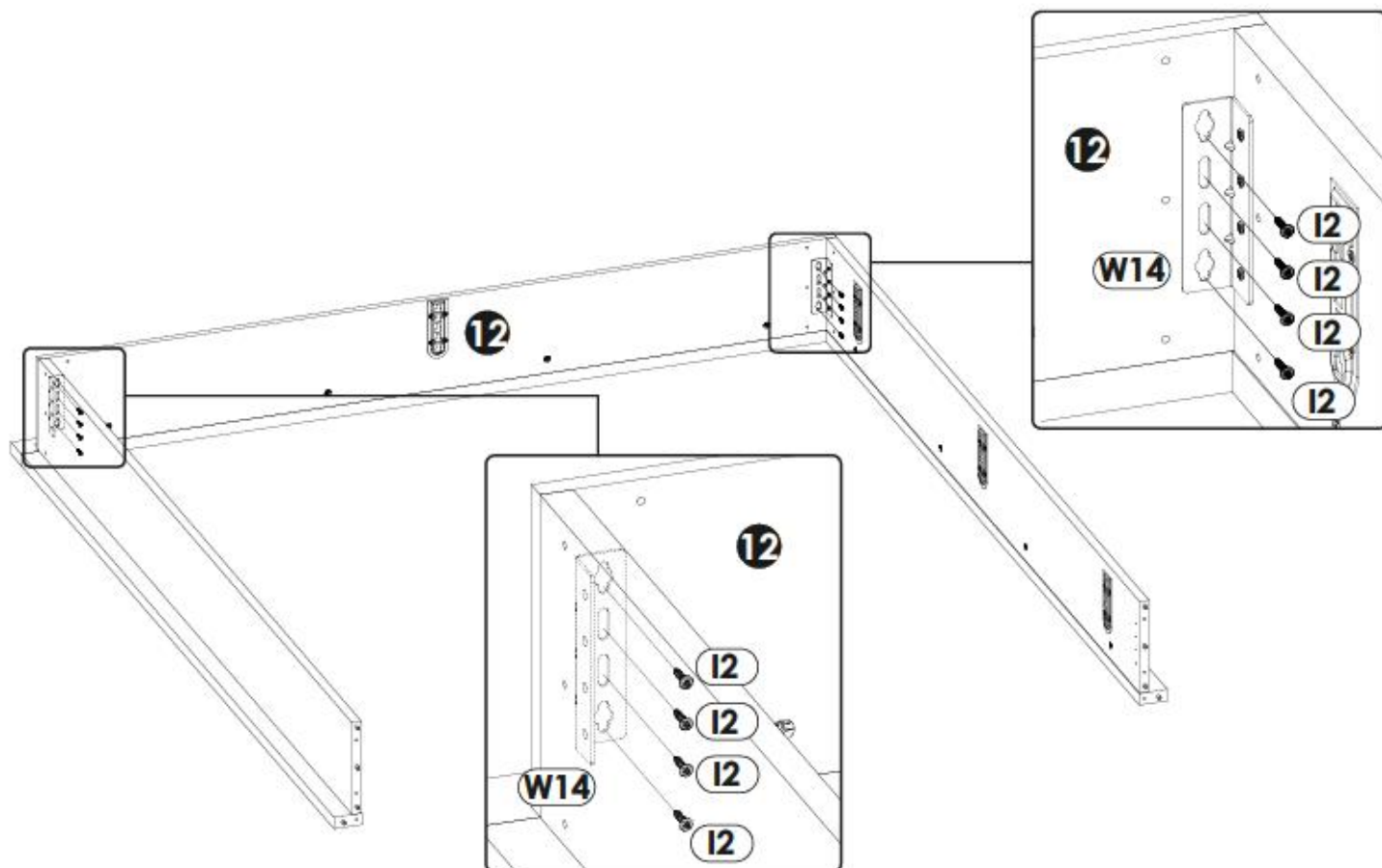
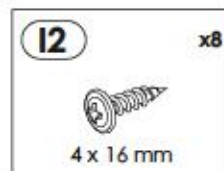
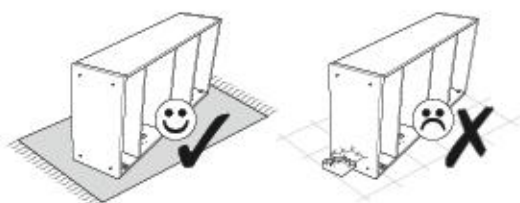
18▶



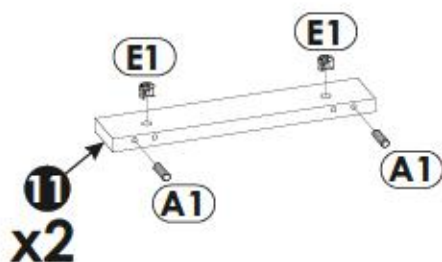
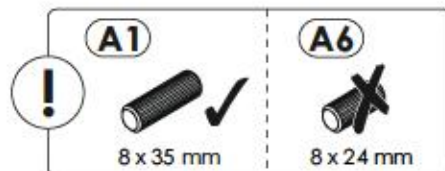
19▶



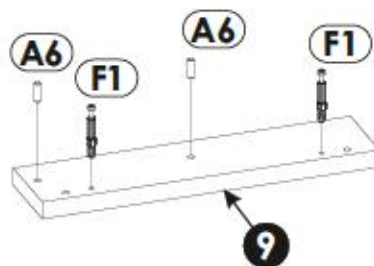
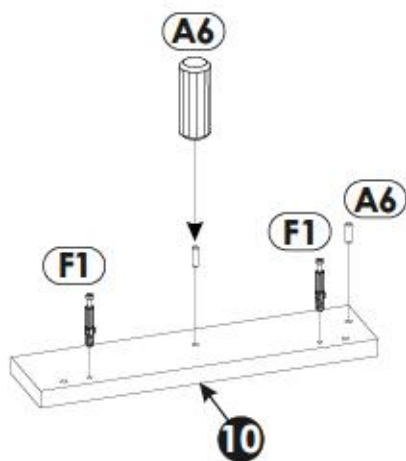
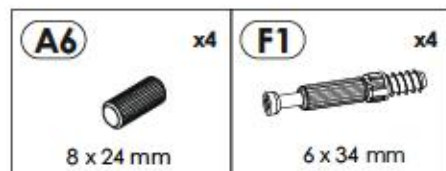
20 ▶



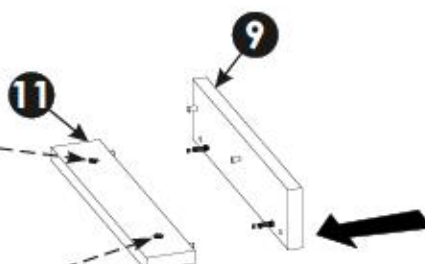
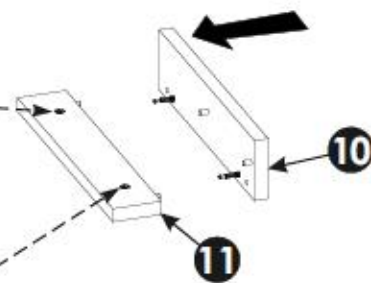
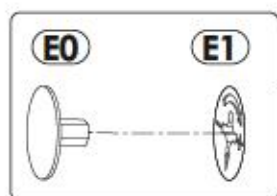
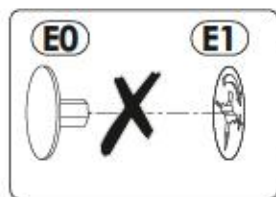
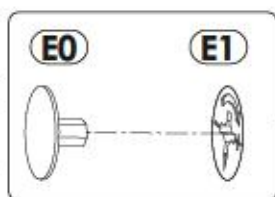
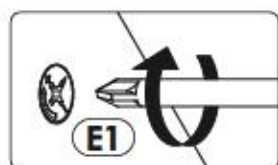
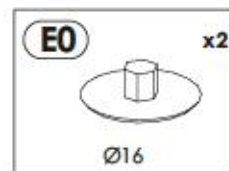
21 ▶



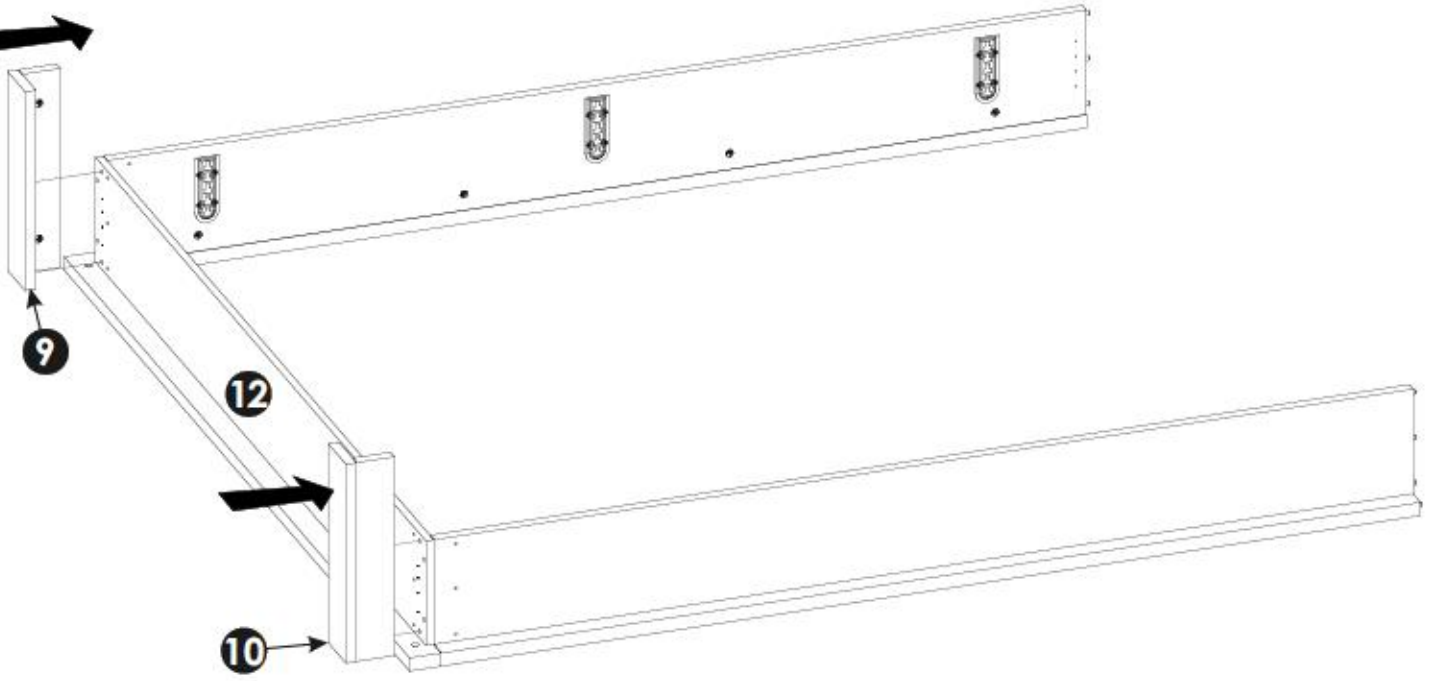
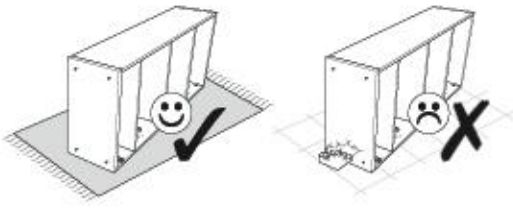
22▶



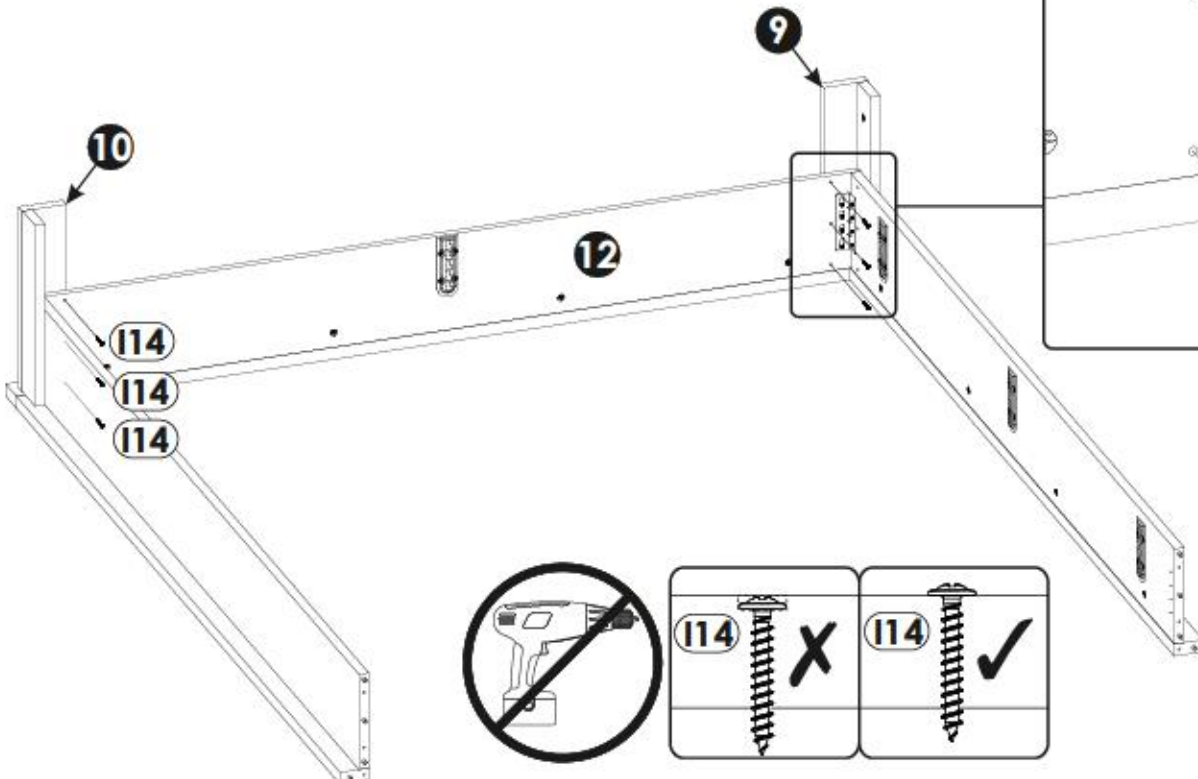
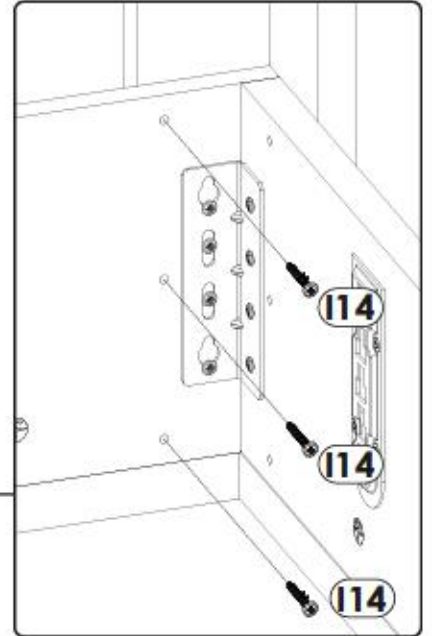
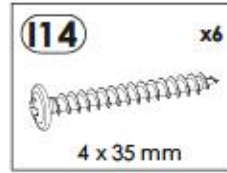
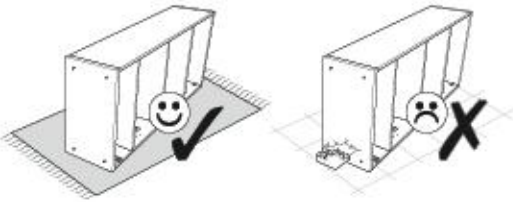
23▶



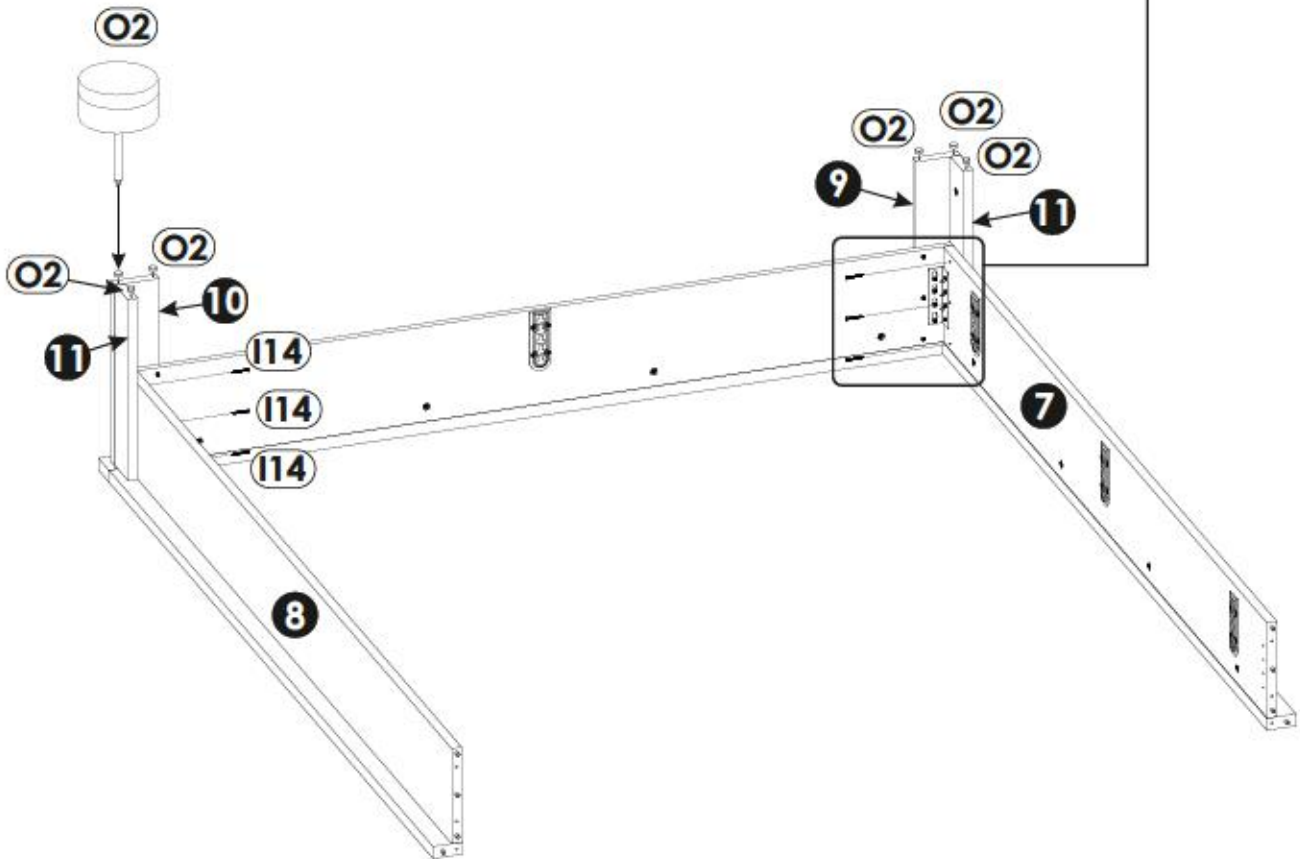
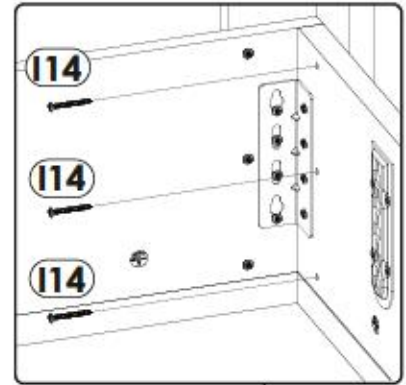
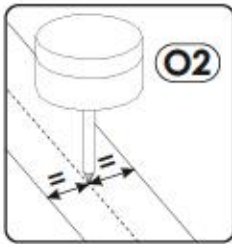
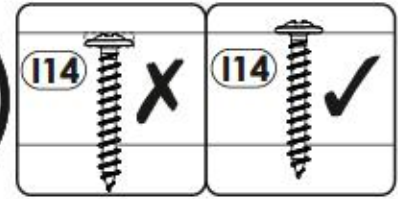
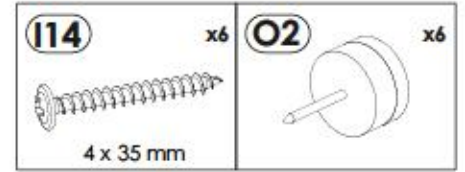
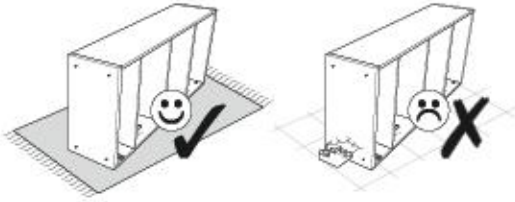
24▶



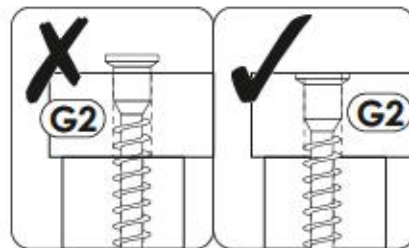
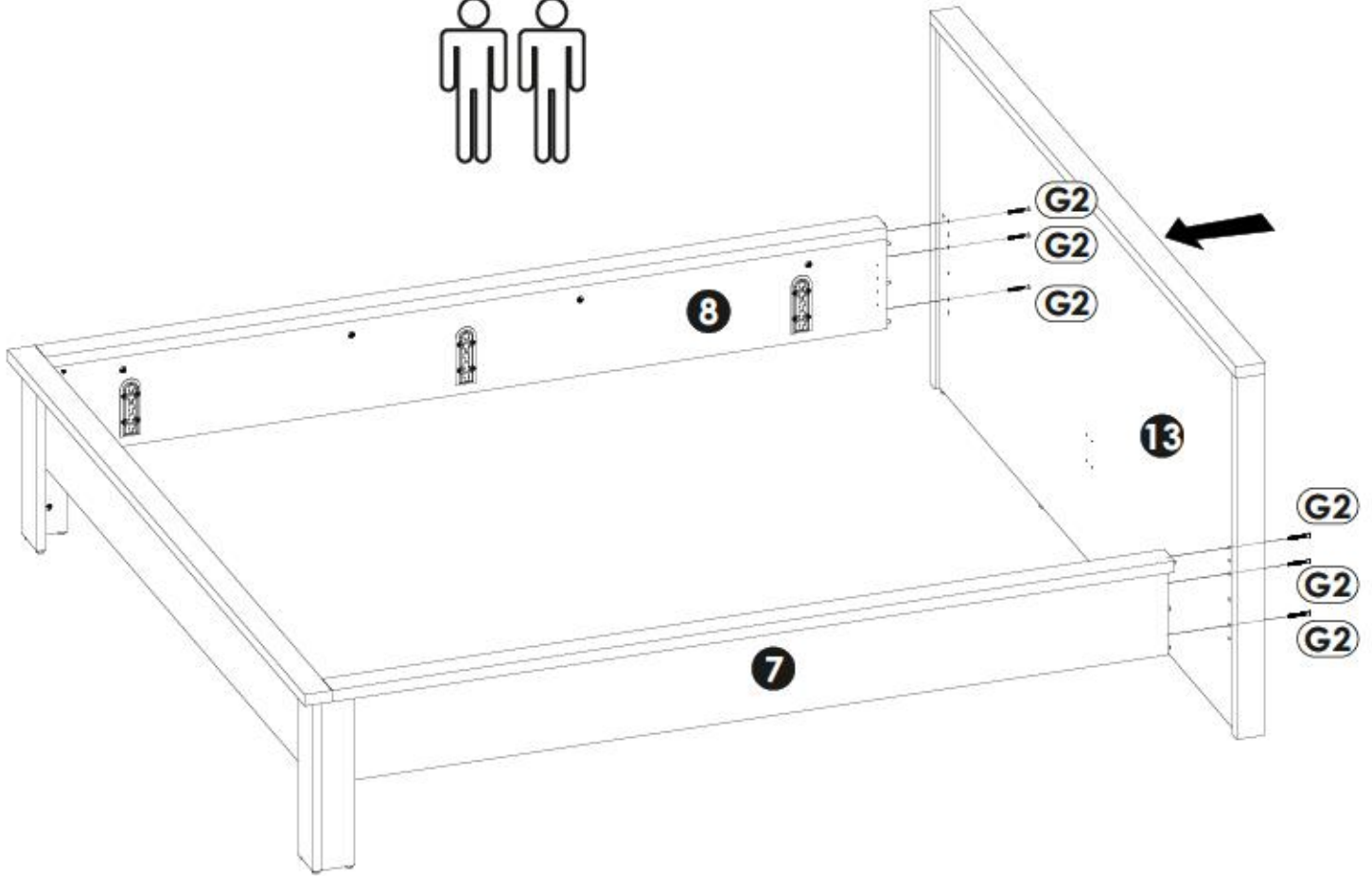
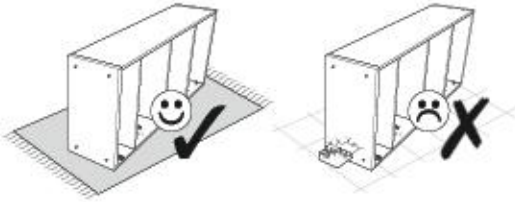
25▶



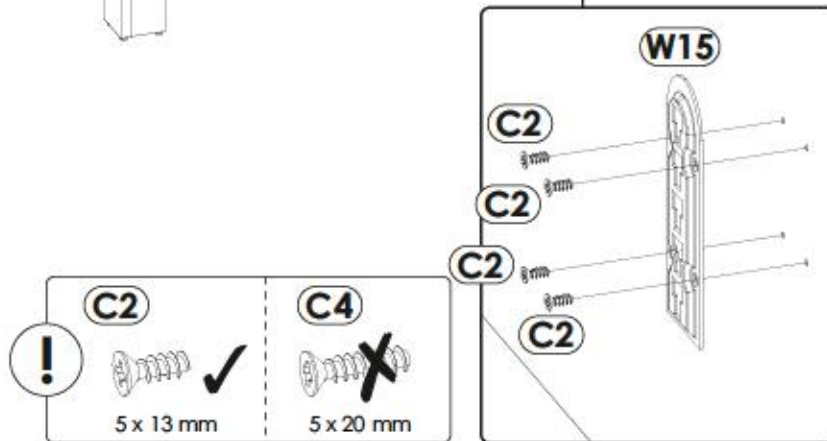
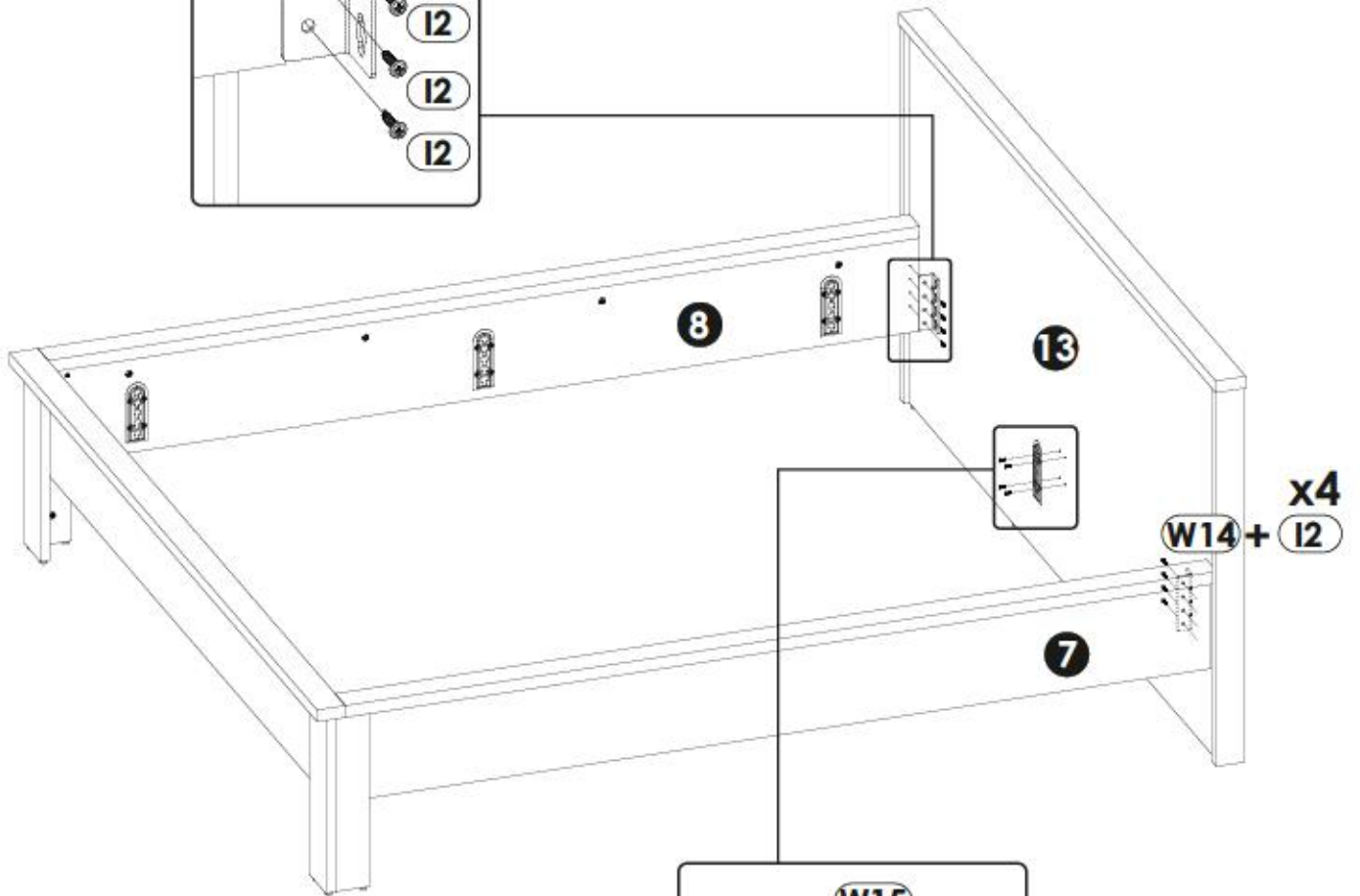
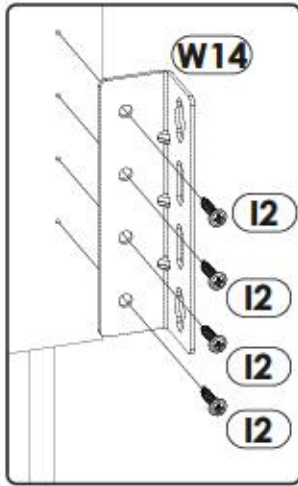
26▶



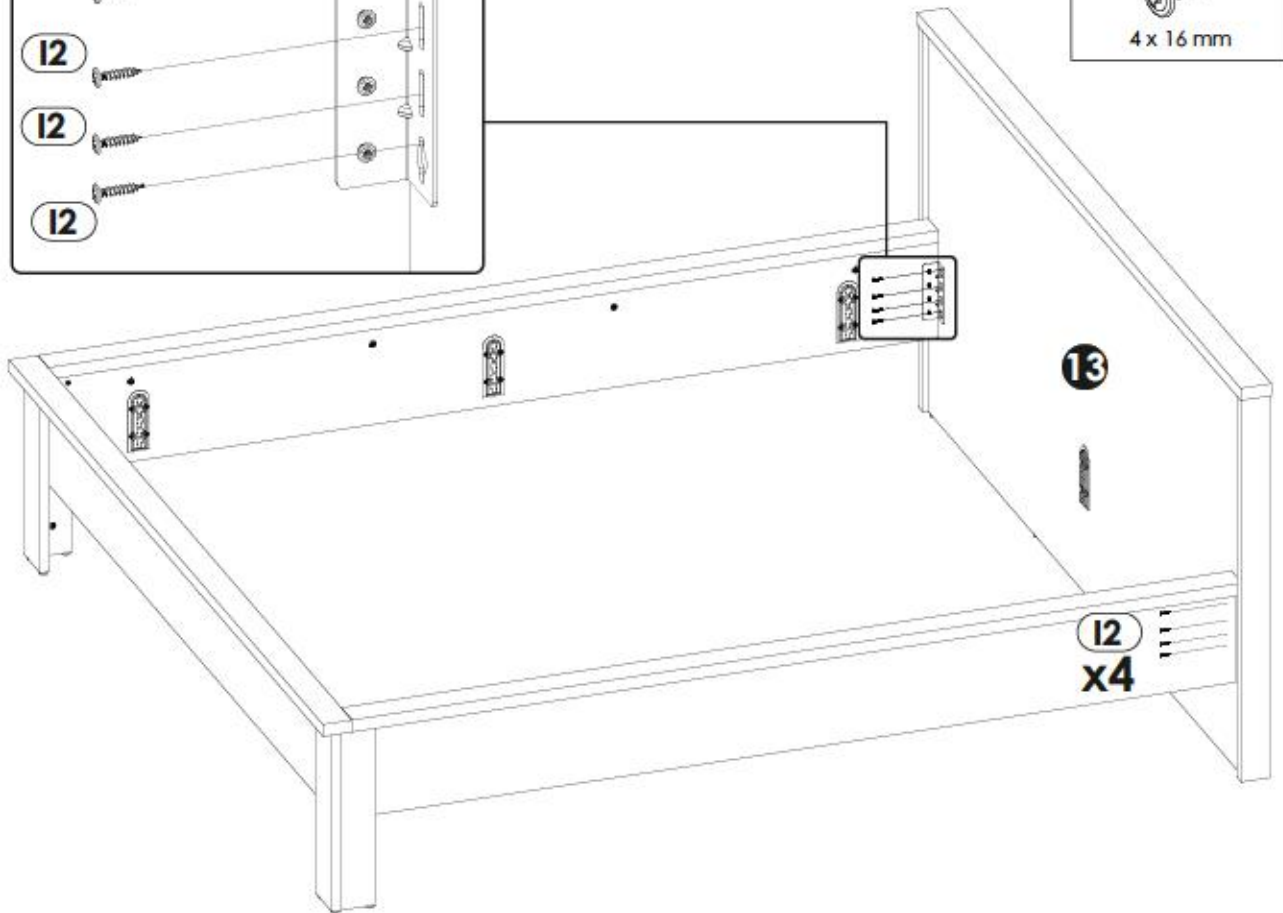
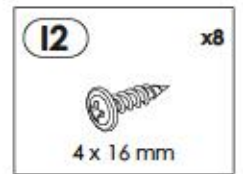
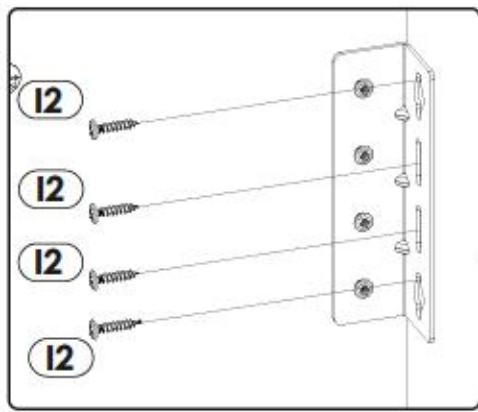
27▶



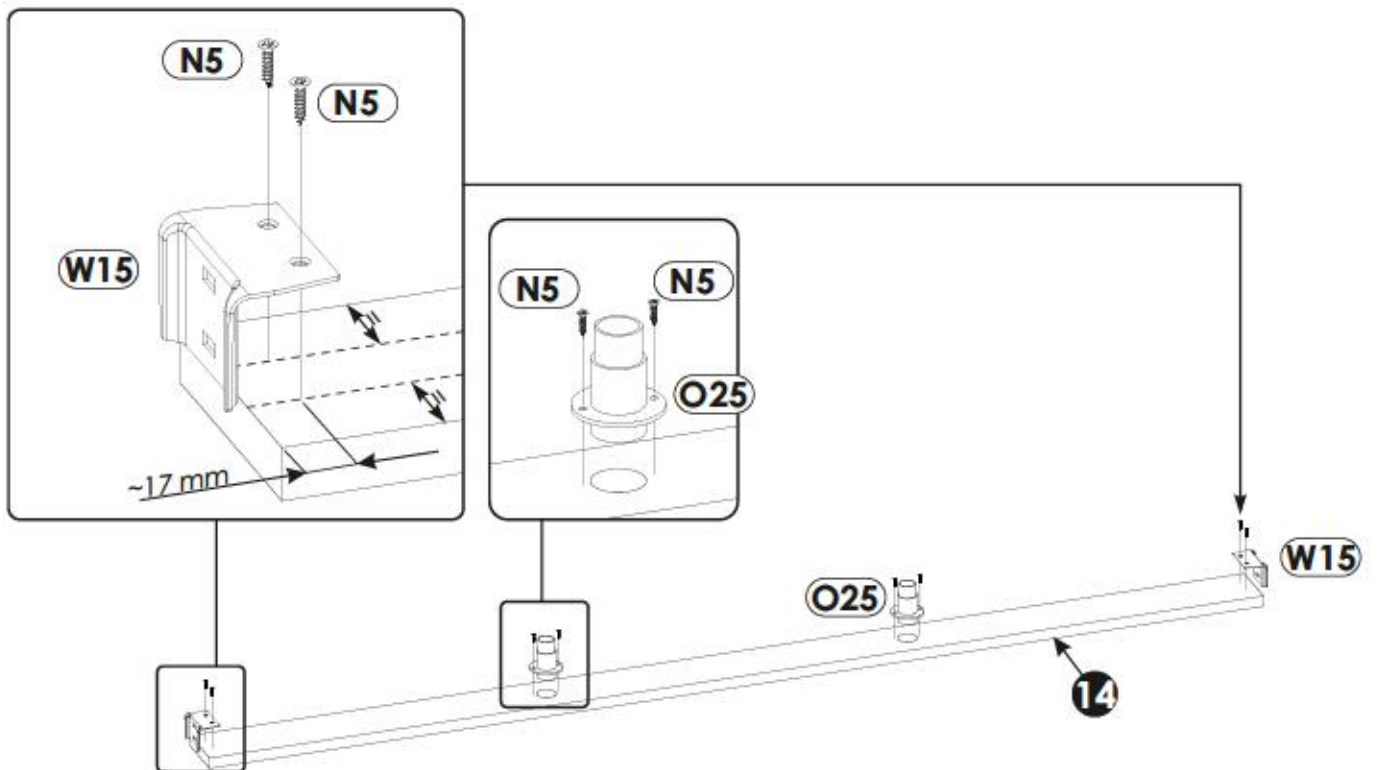
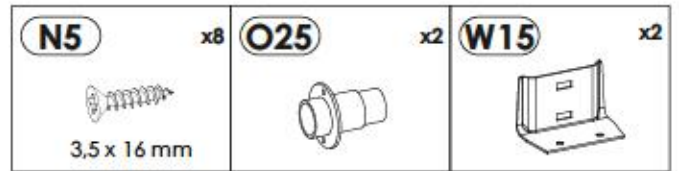
C2 5 x 13 mm x4	I2 4 x 16 mm x8	W14 x2	W15 x1
------------------------------	------------------------------	------------------	------------------



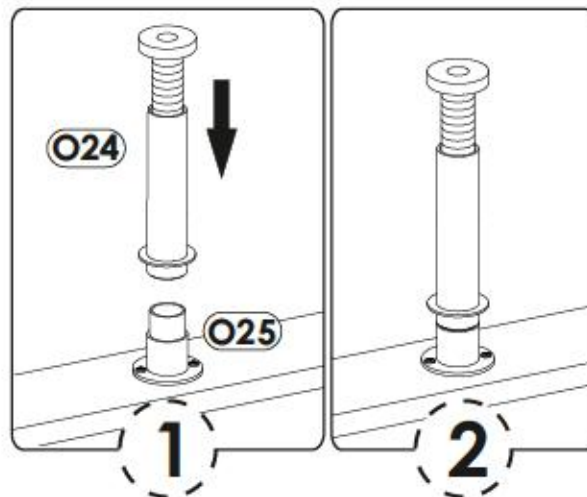
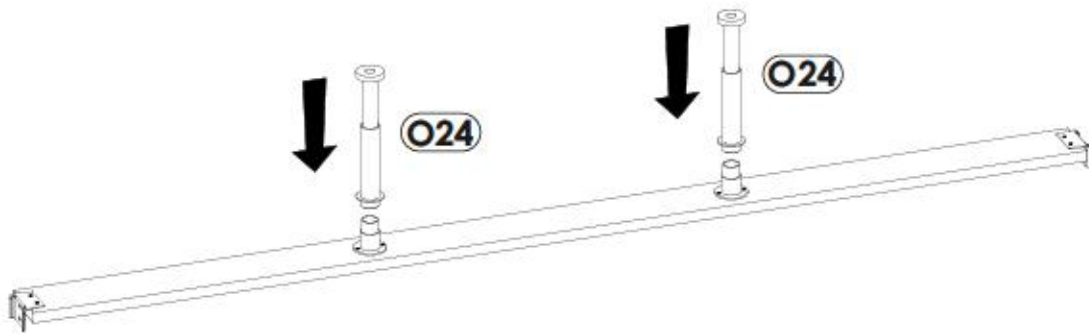
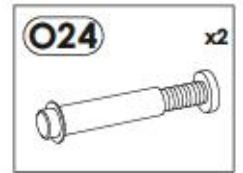
29 ▶

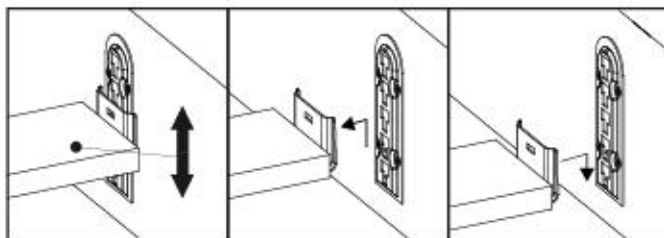
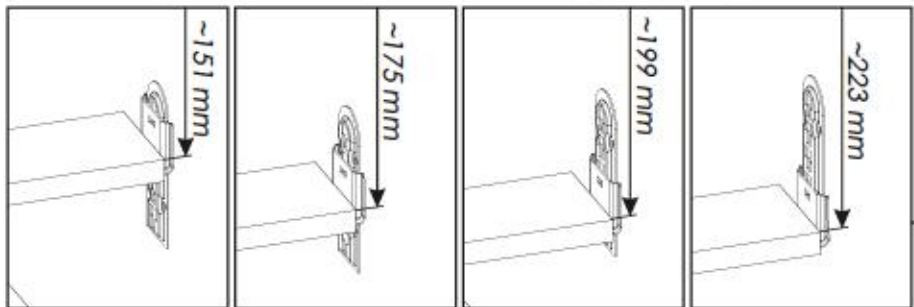
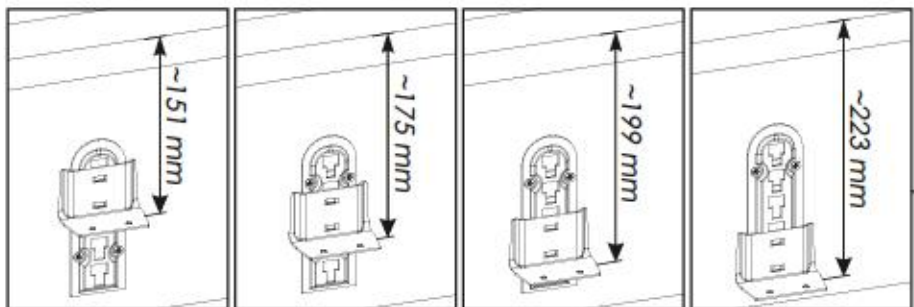
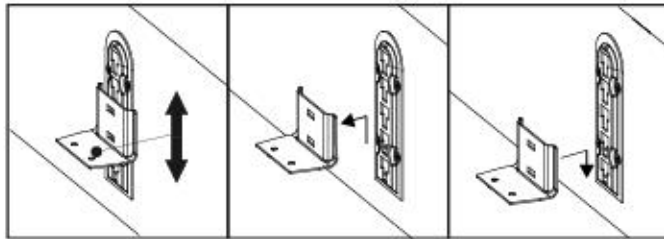
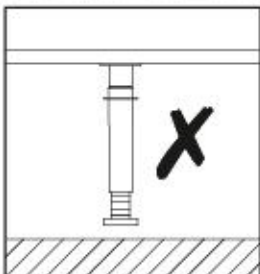
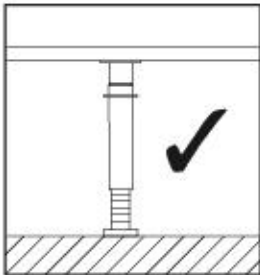
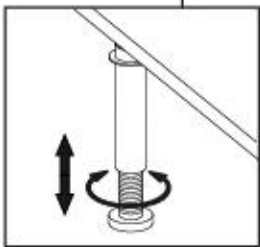
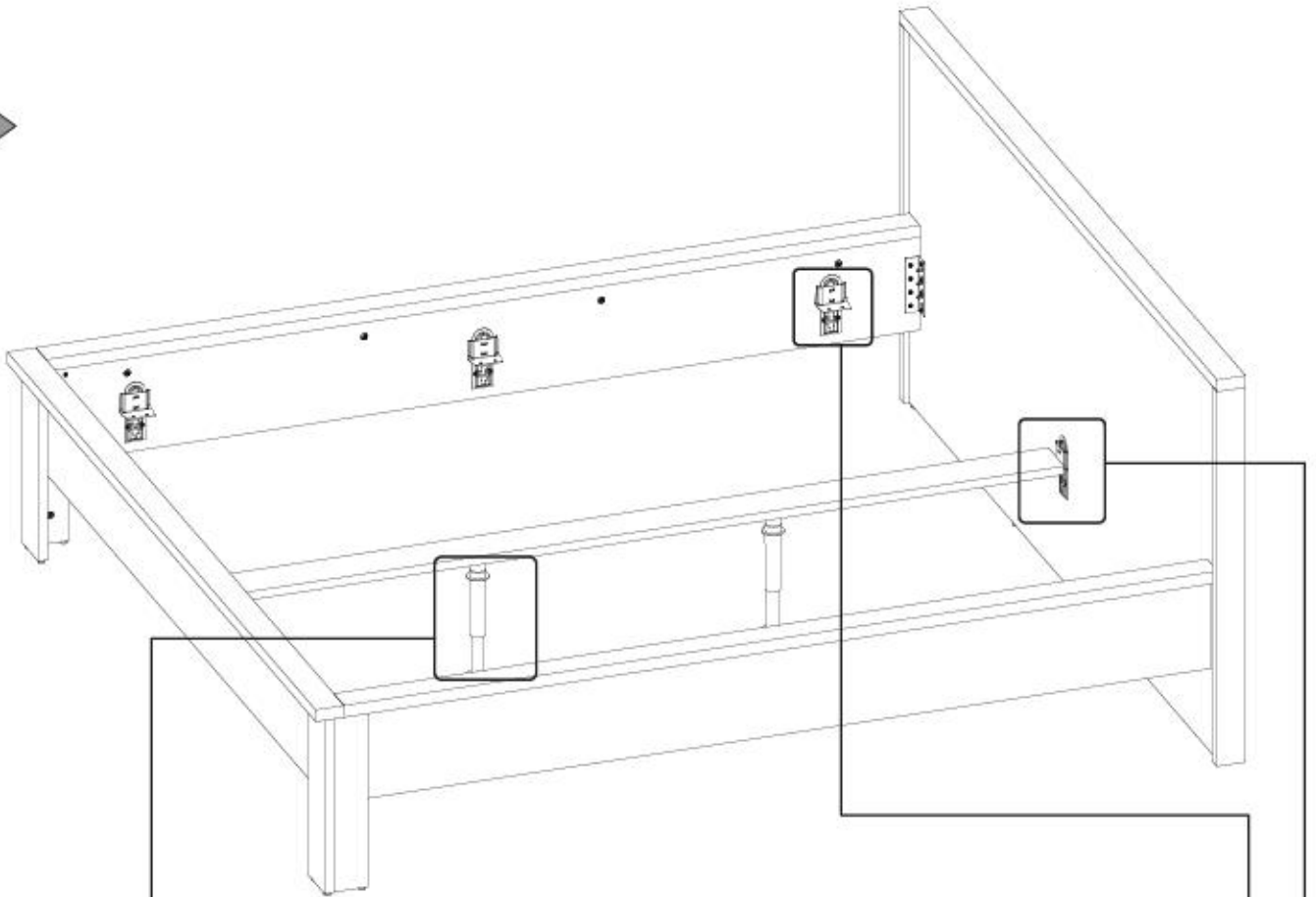


30 ▶



31 ▶▶





33 ▶

