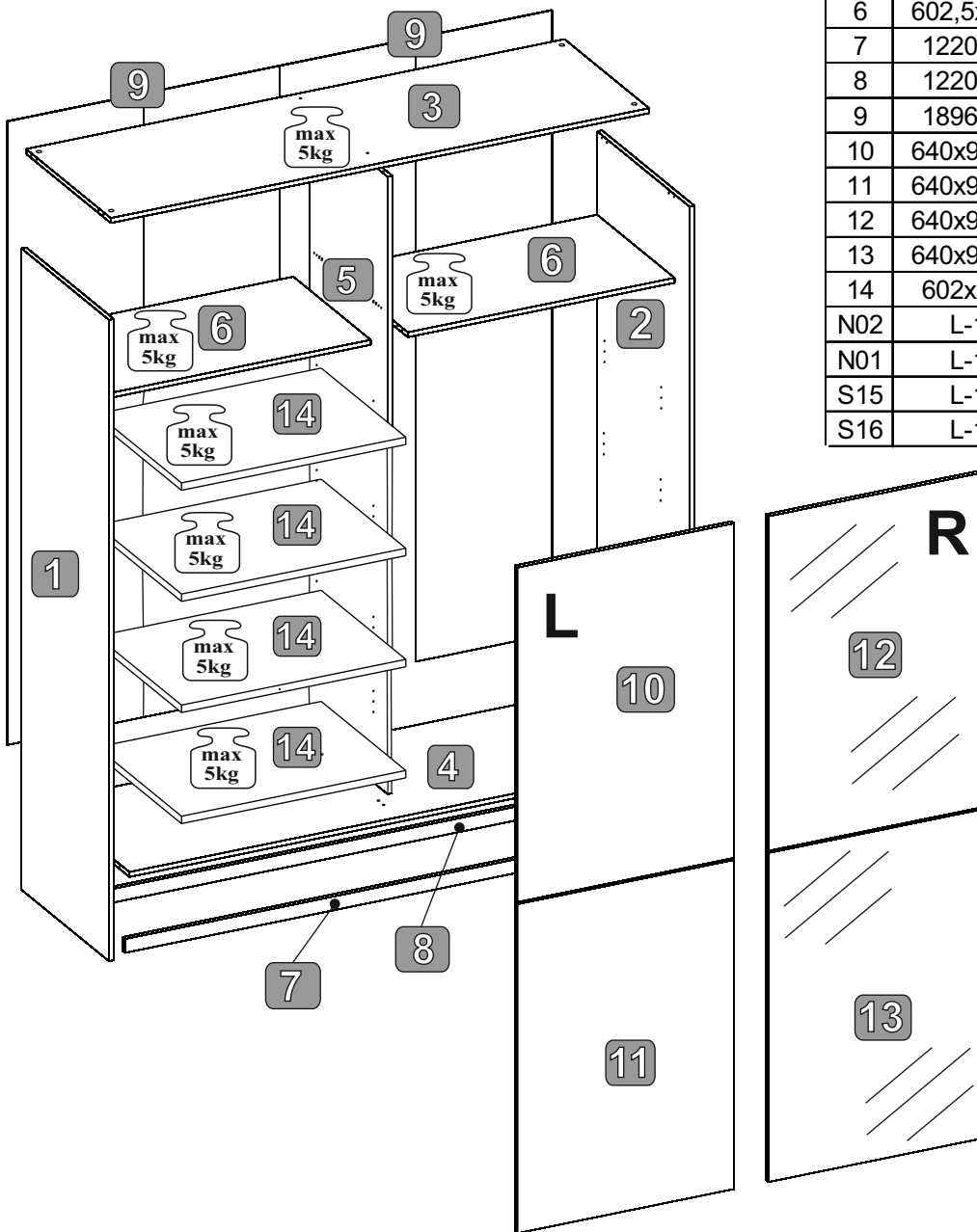
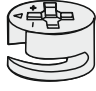
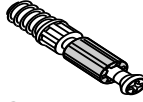

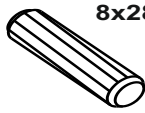

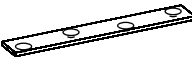


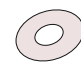
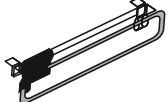

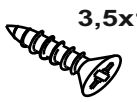
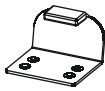

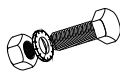
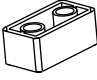
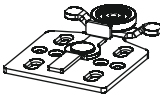
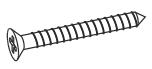
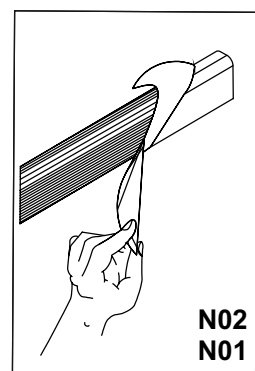
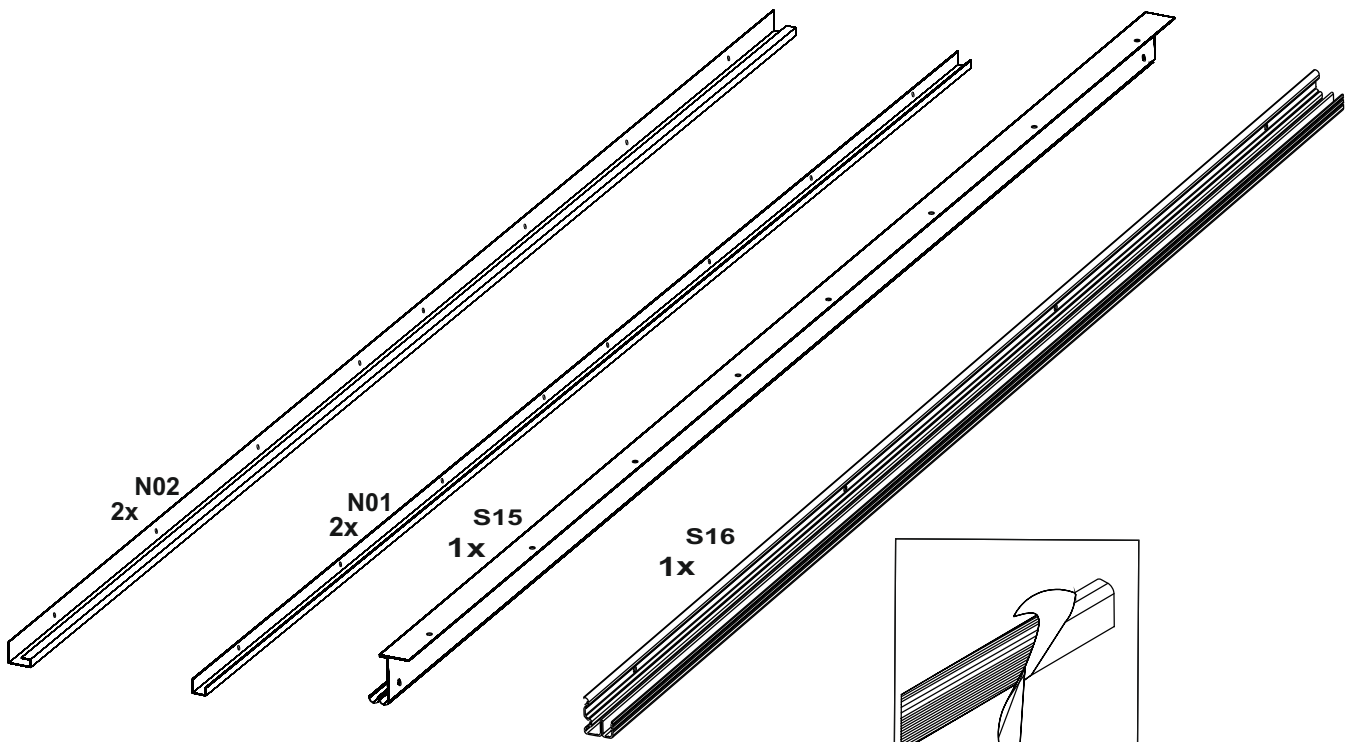


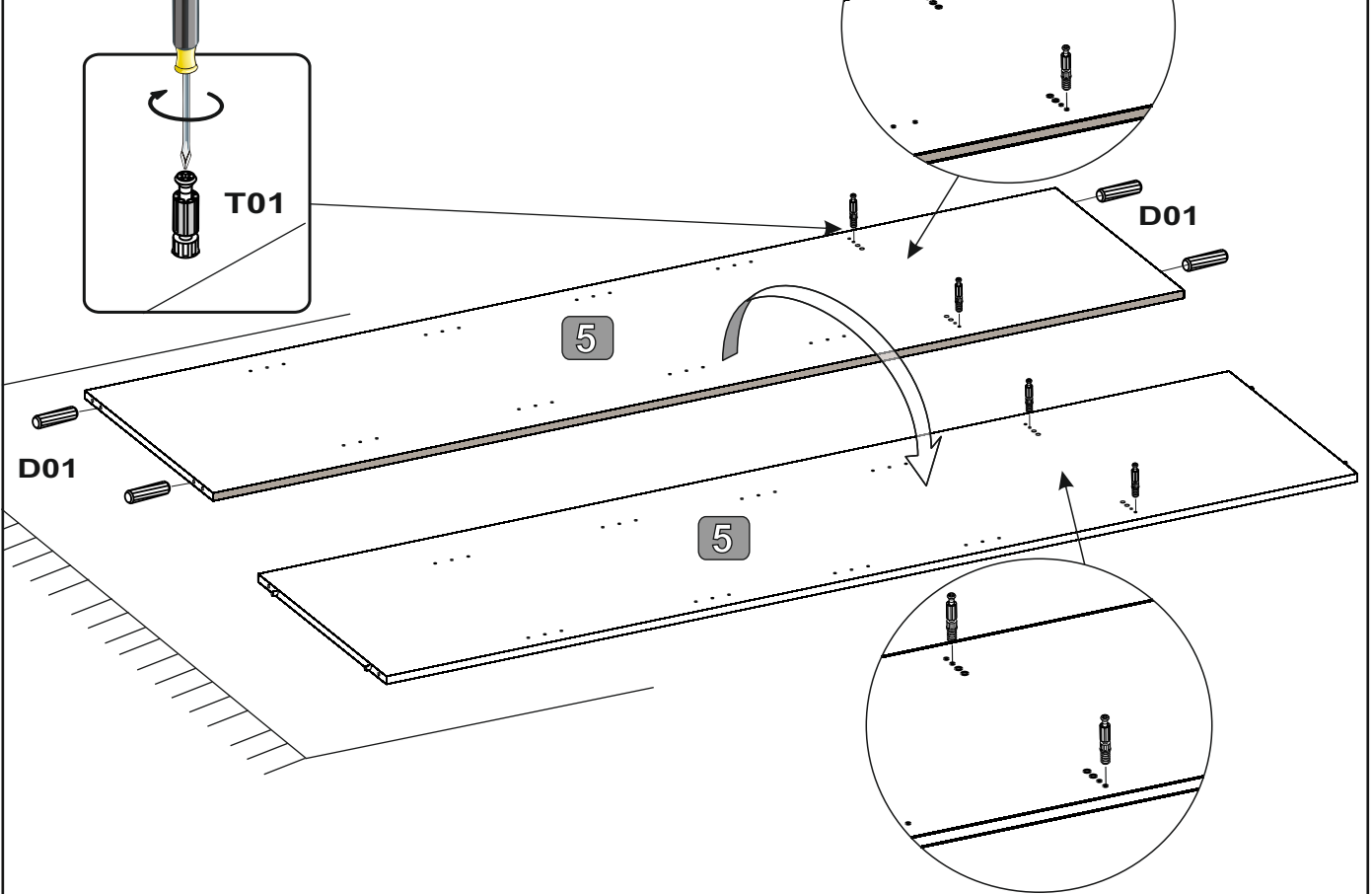
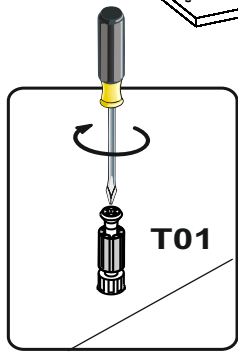
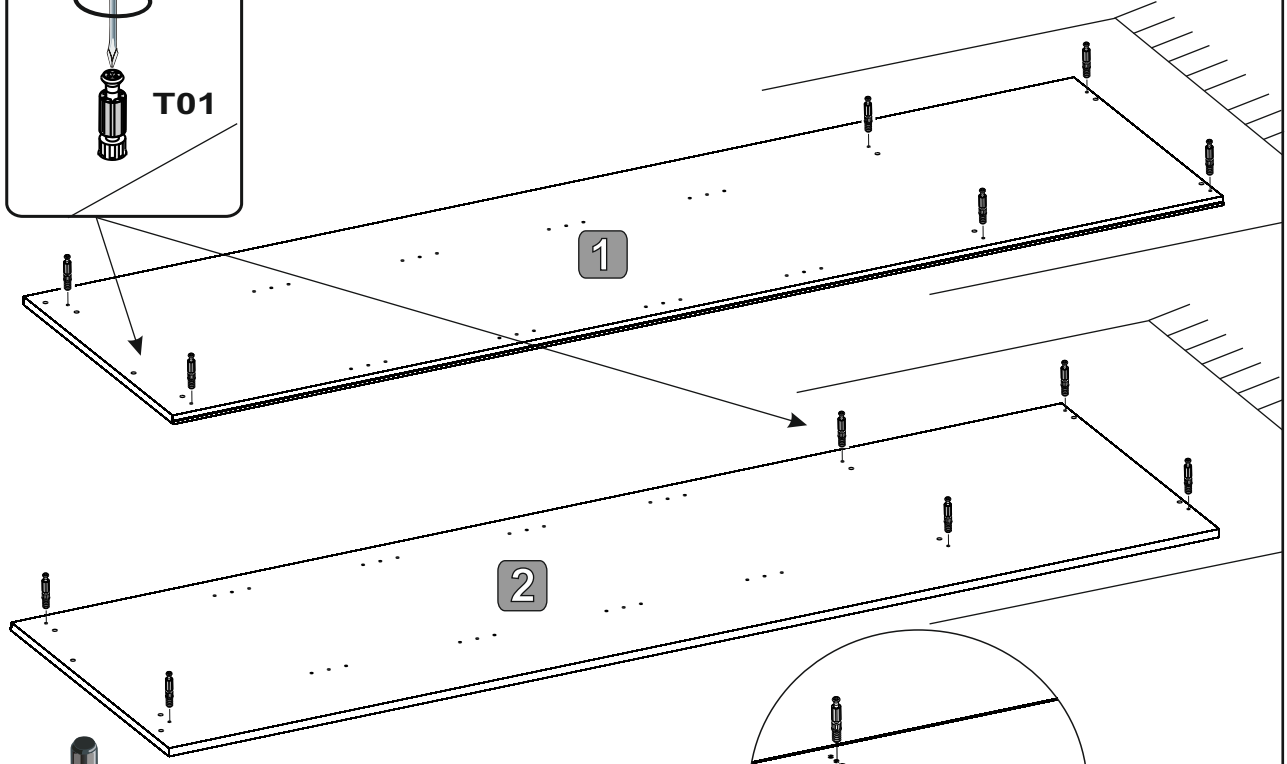
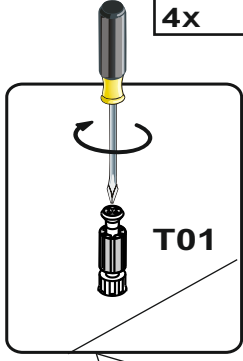
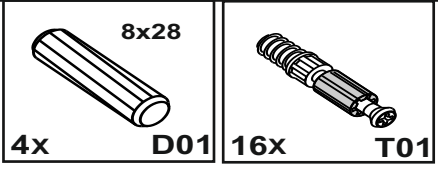
NR	DIM	QTE	COLLI
1	1950x324x15	1	1/2
2	1950x353x15	1	1/2
3	1220x305x15	1	1/2
4	1220x321x15	1	1/2
5	1877x265x15	1	1/2
6	602,5x260x15	2	1/2
7	1220x42x15	1	1/2
8	1220x42x15	1	1/2
9	1896x619x2	2	1/2
10	640x962,5x15	1	2/2
11	640x962,5x15	1	2/2
12	640x962,5x16	1	2/2
13	640x962,5x16	1	2/2
14	602x260x15	4	1/2
N02	L-1925	2	1/2
N01	L-1925	2	1/2
S15	L-1218	1	1/2
S16	L-1218	1	1/2



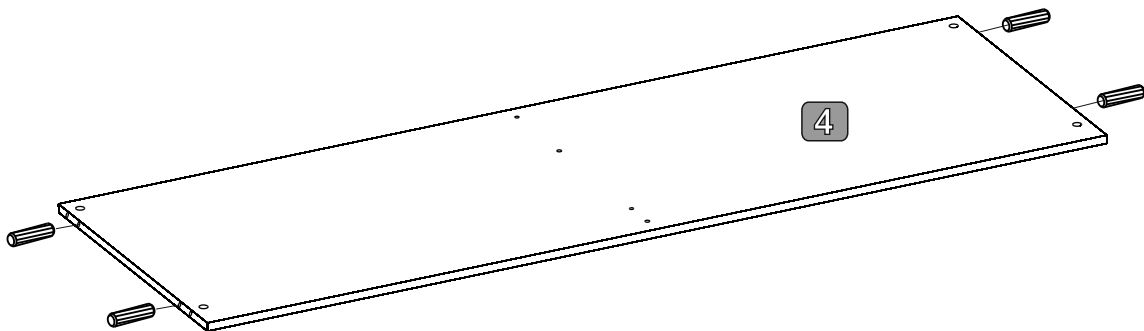
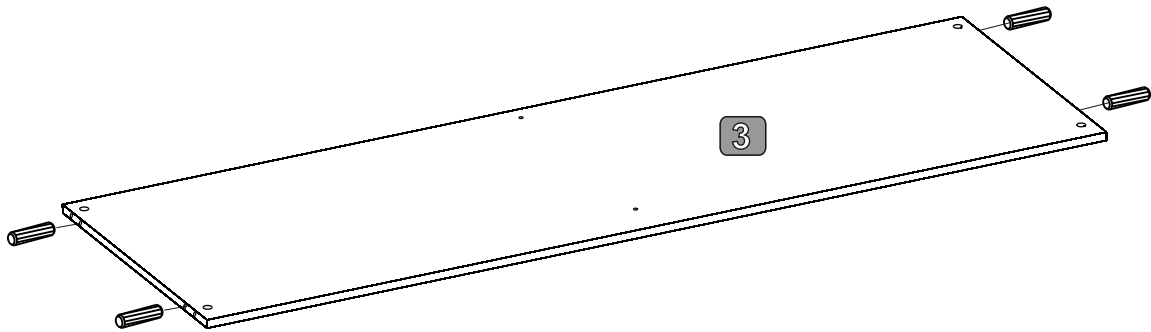
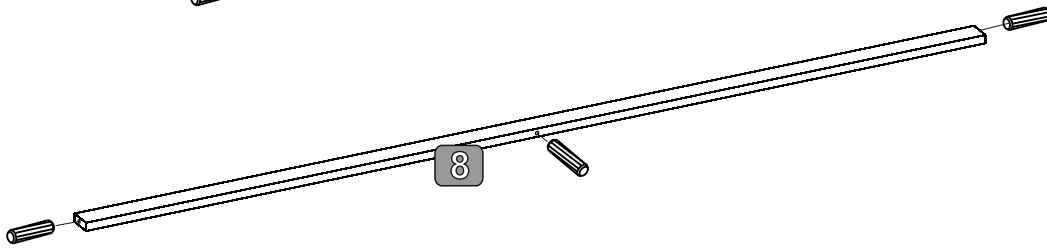
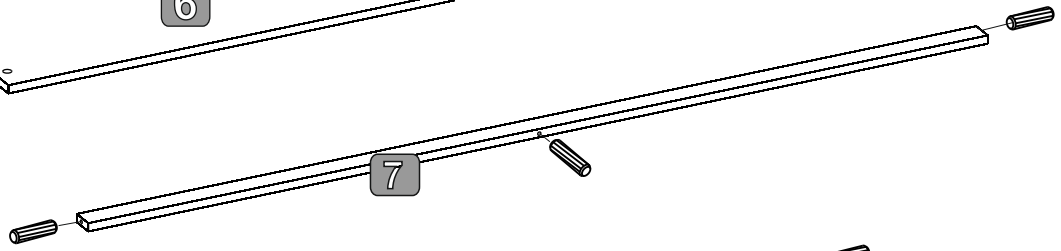
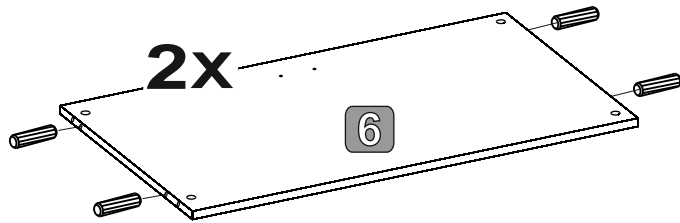
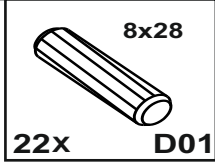
 16x T02	 16x T01	 60x G01	 26x D01	 1x K01	 4x W06
 4x W08	 5x W02	 16x E01	 6x S01	 2x W07	 4x R01
 1x Q01	 9x W05	 81x W01	 2x P01	 2x S14	 2x S13
 2x W05S	 2x E05	 1x S10	 1x S11	 2x S12	 4x W36
 4x H-29 ZA3					



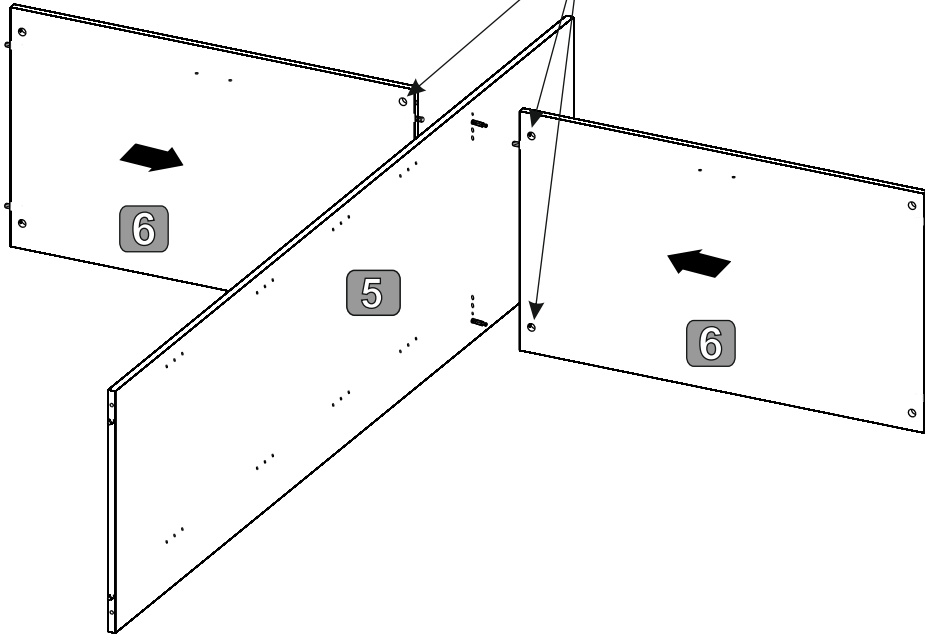
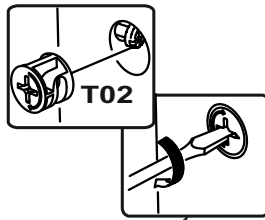
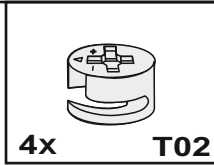
1



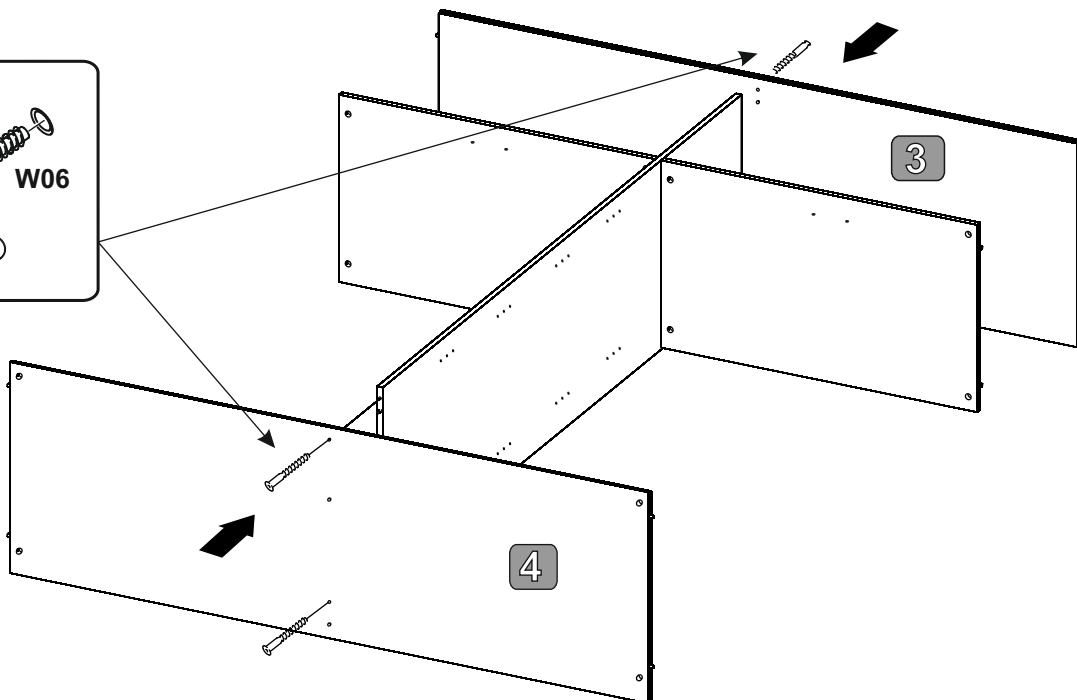
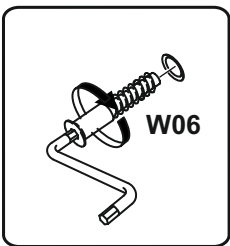
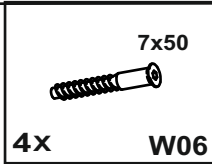
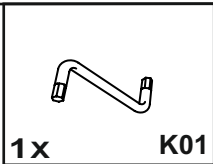
2



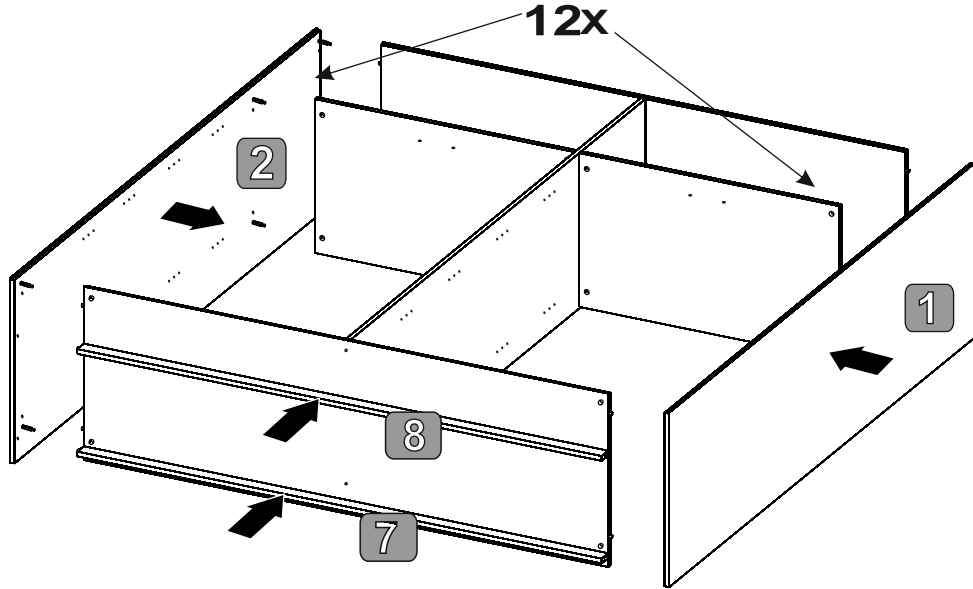
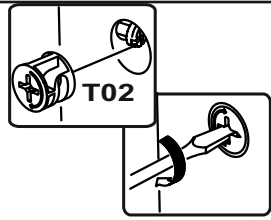
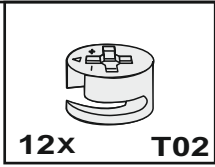
3



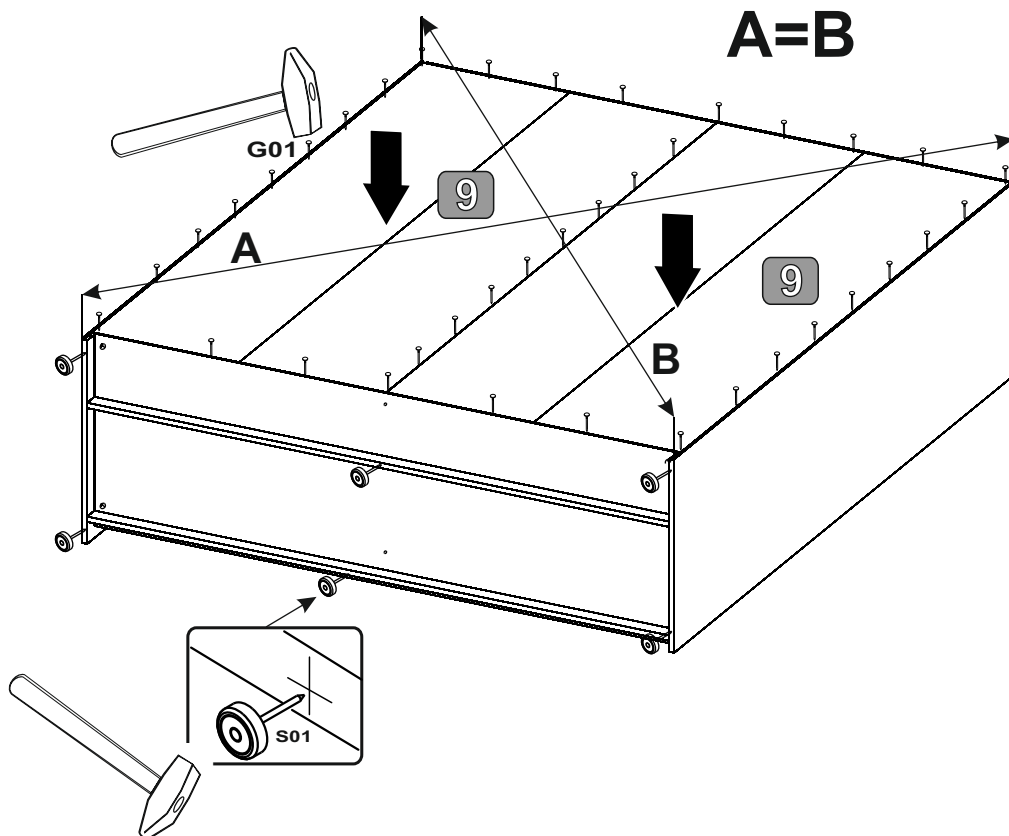
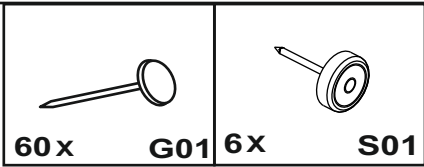
4



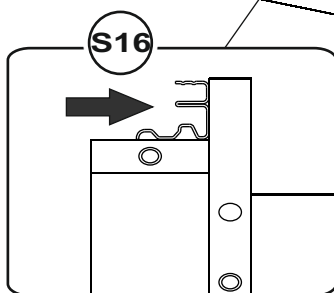
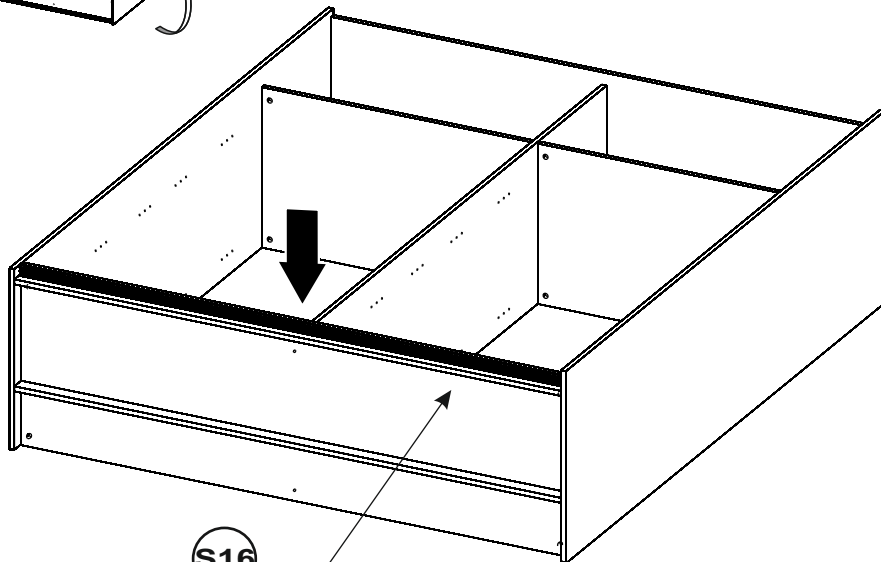
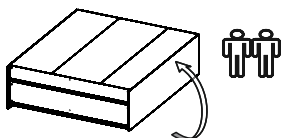
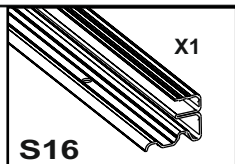
5



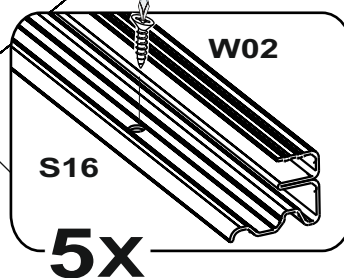
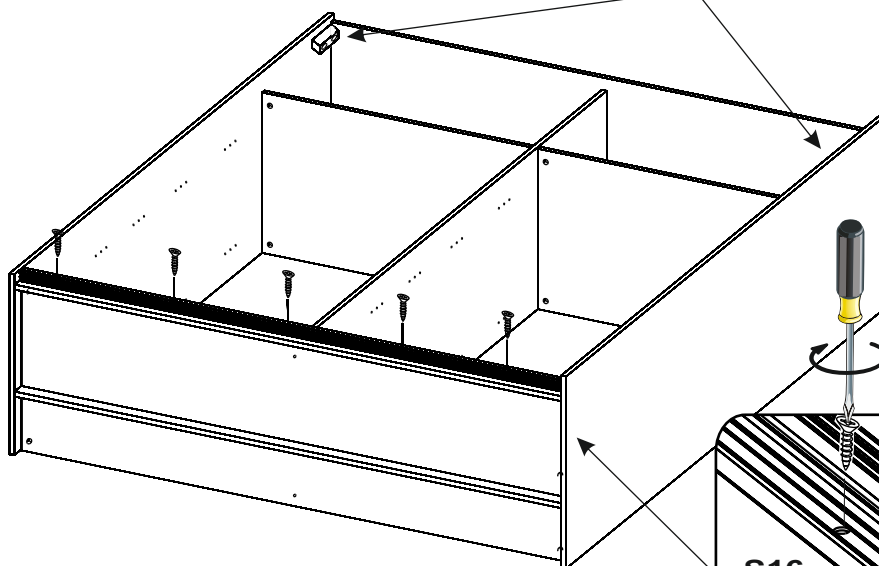
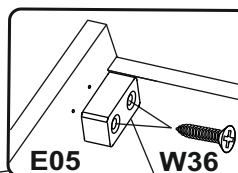
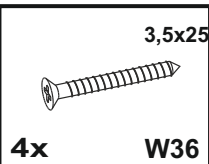
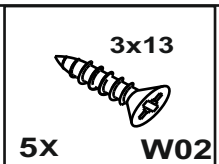
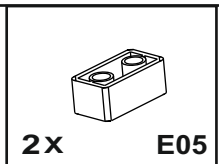
6



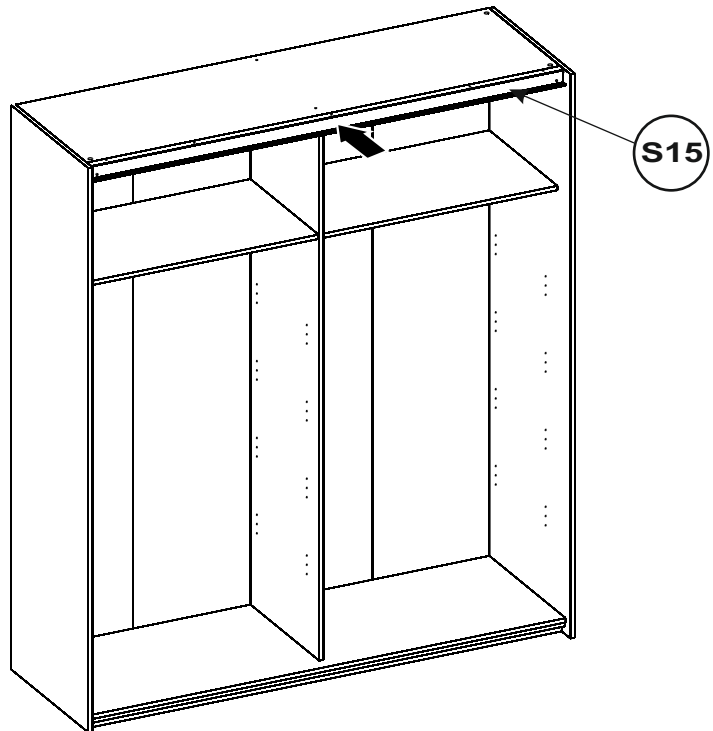
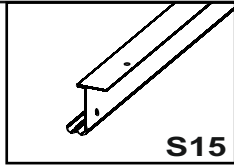
7



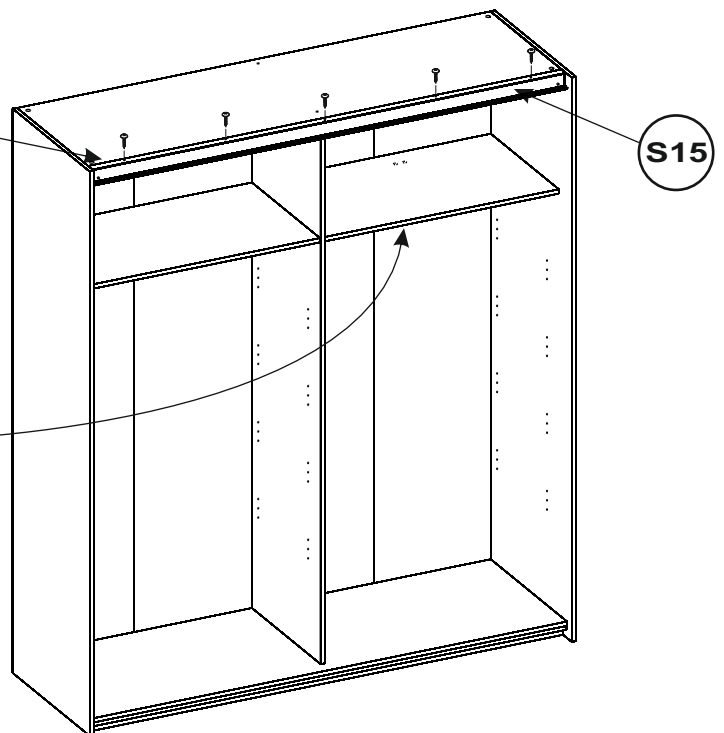
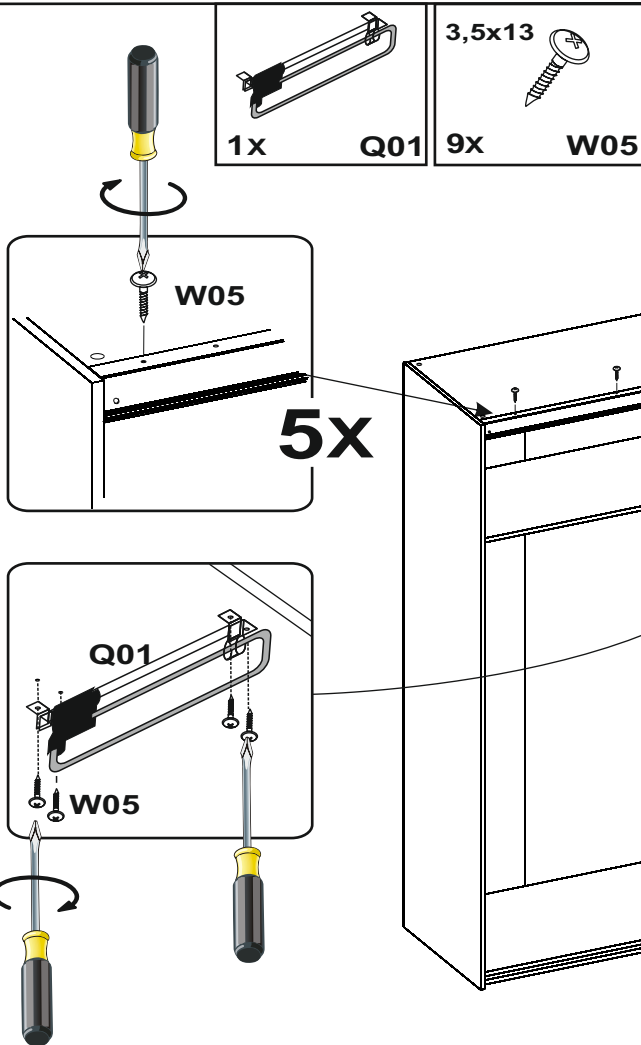
8



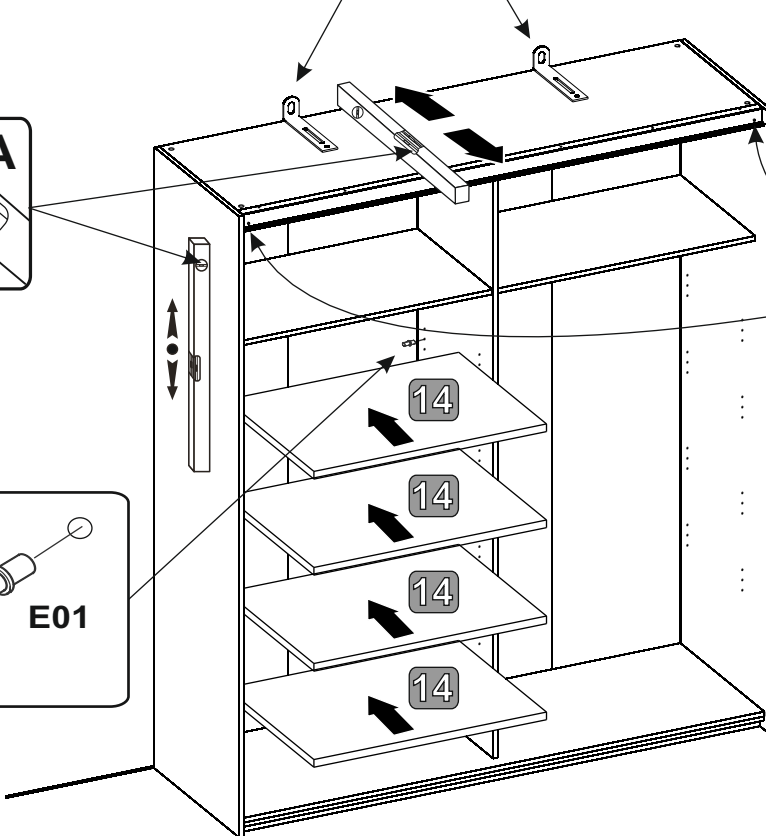
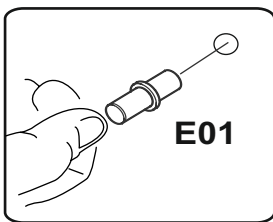
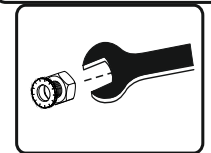
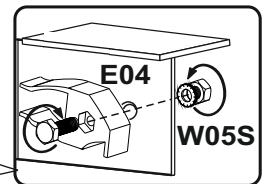
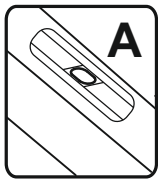
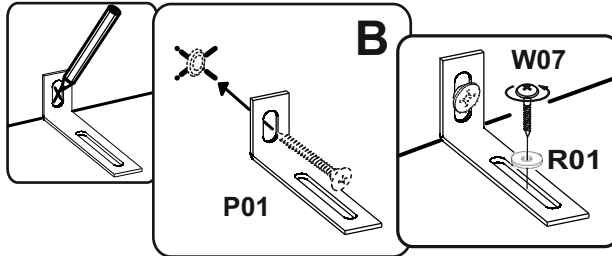
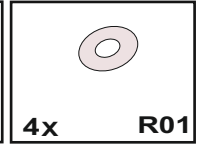
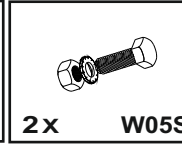
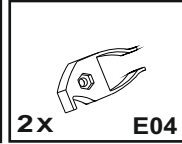
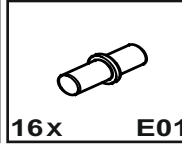
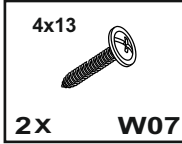
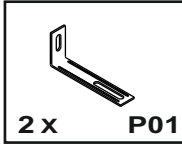
9



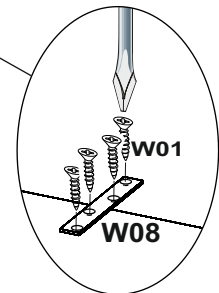
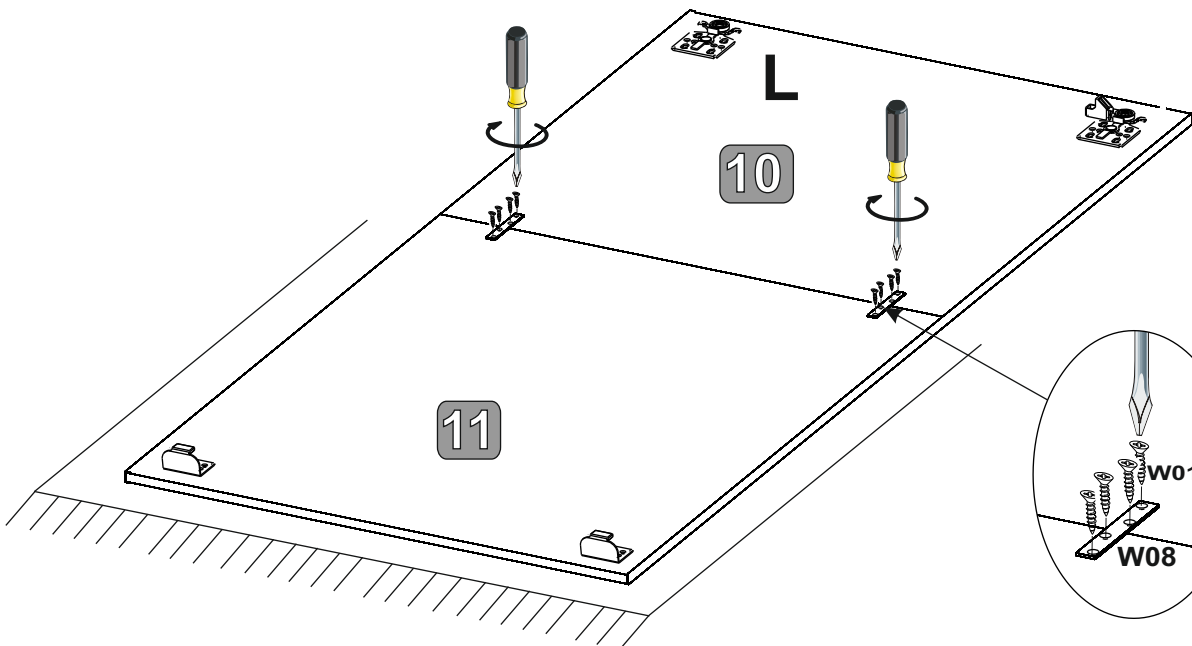
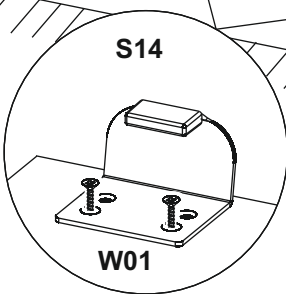
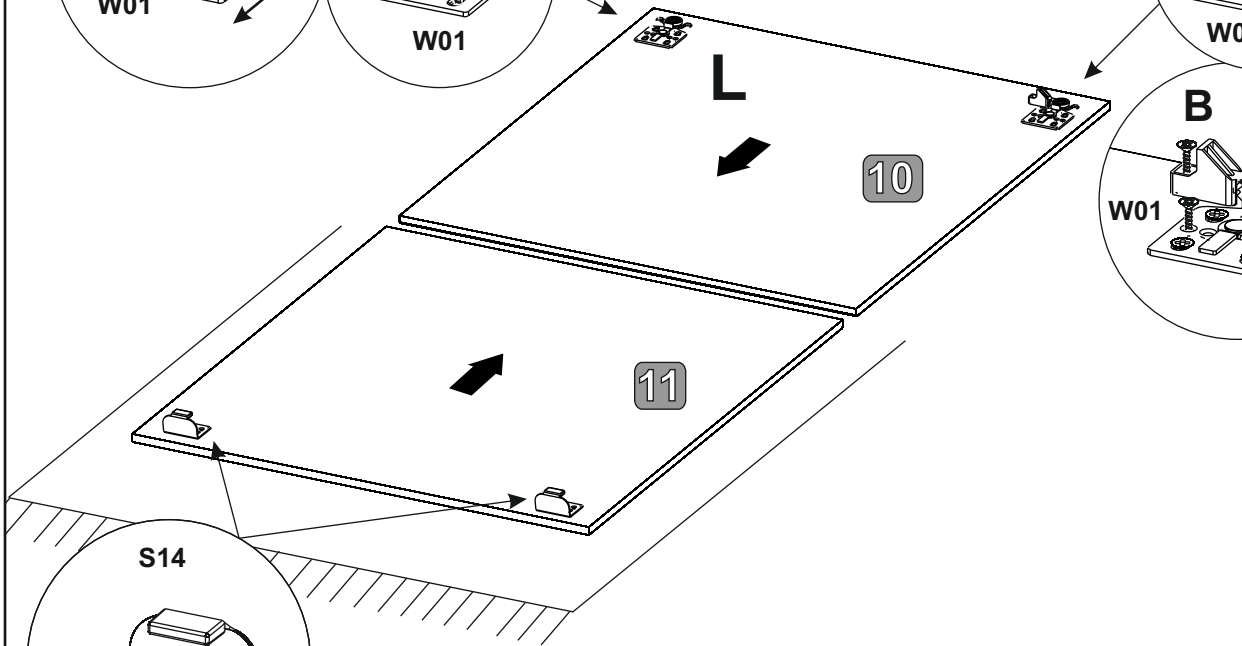
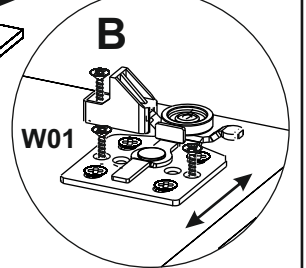
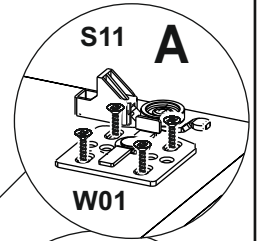
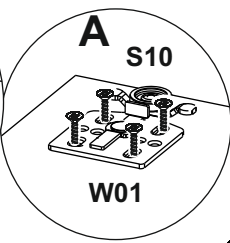
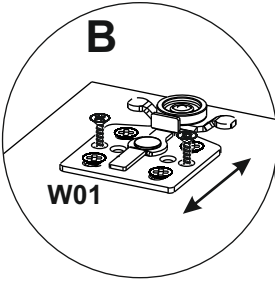
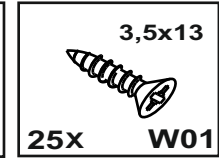
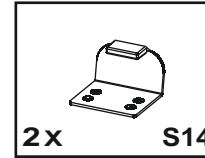
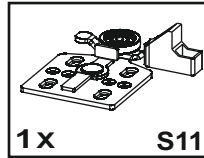
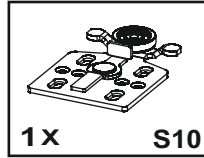
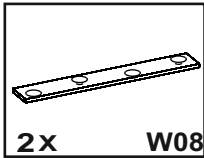
10



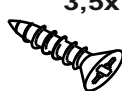
11

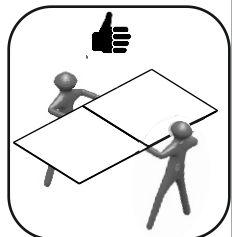
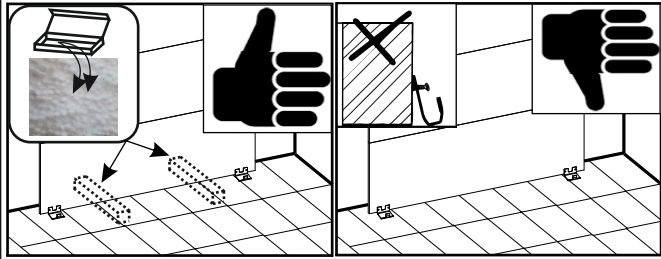
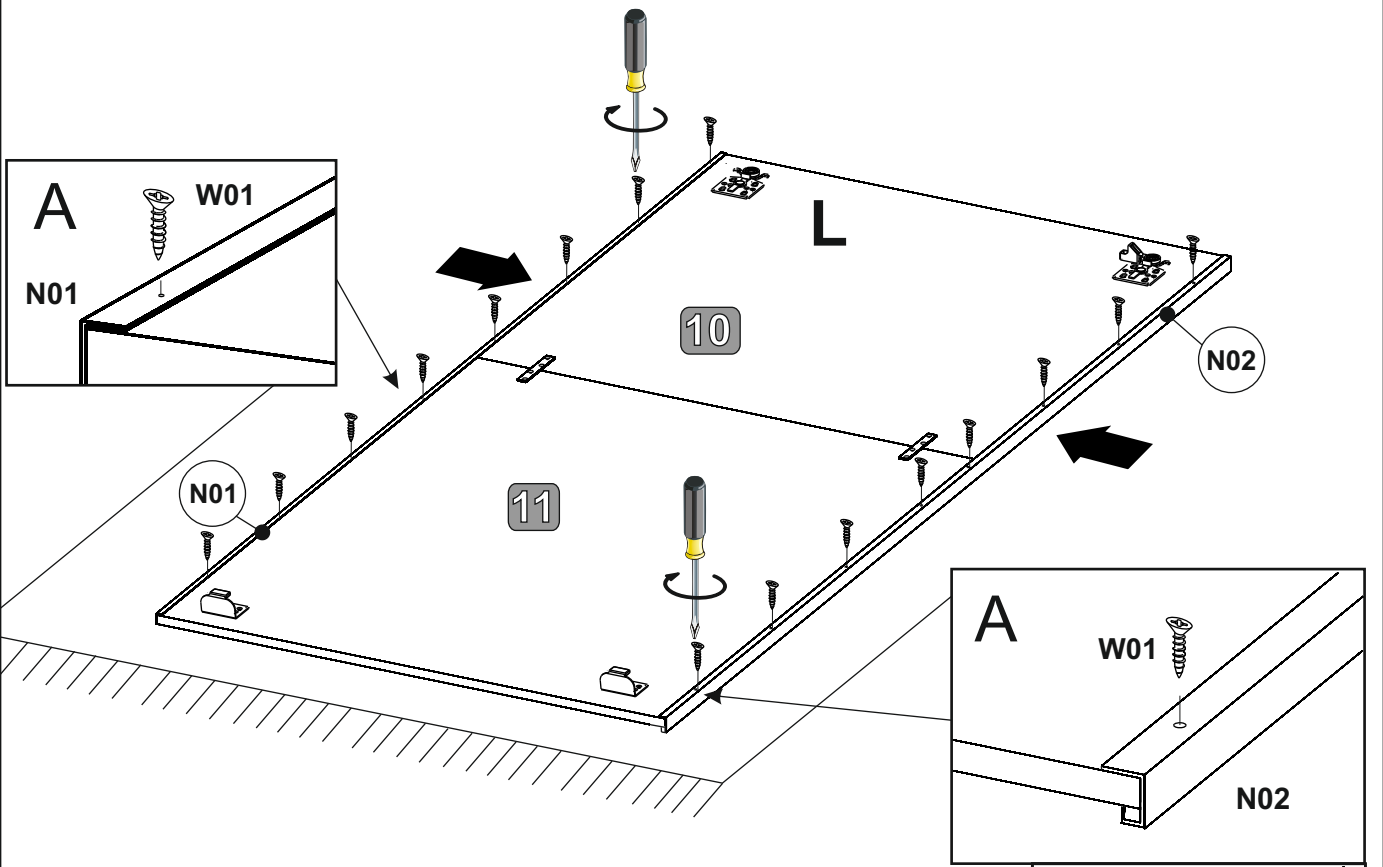


12

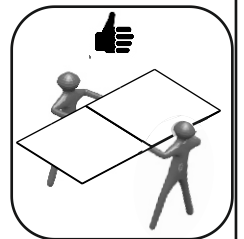
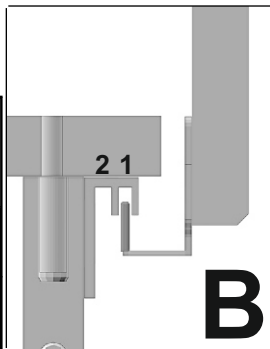
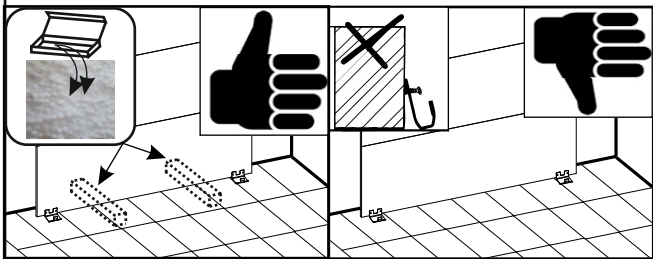
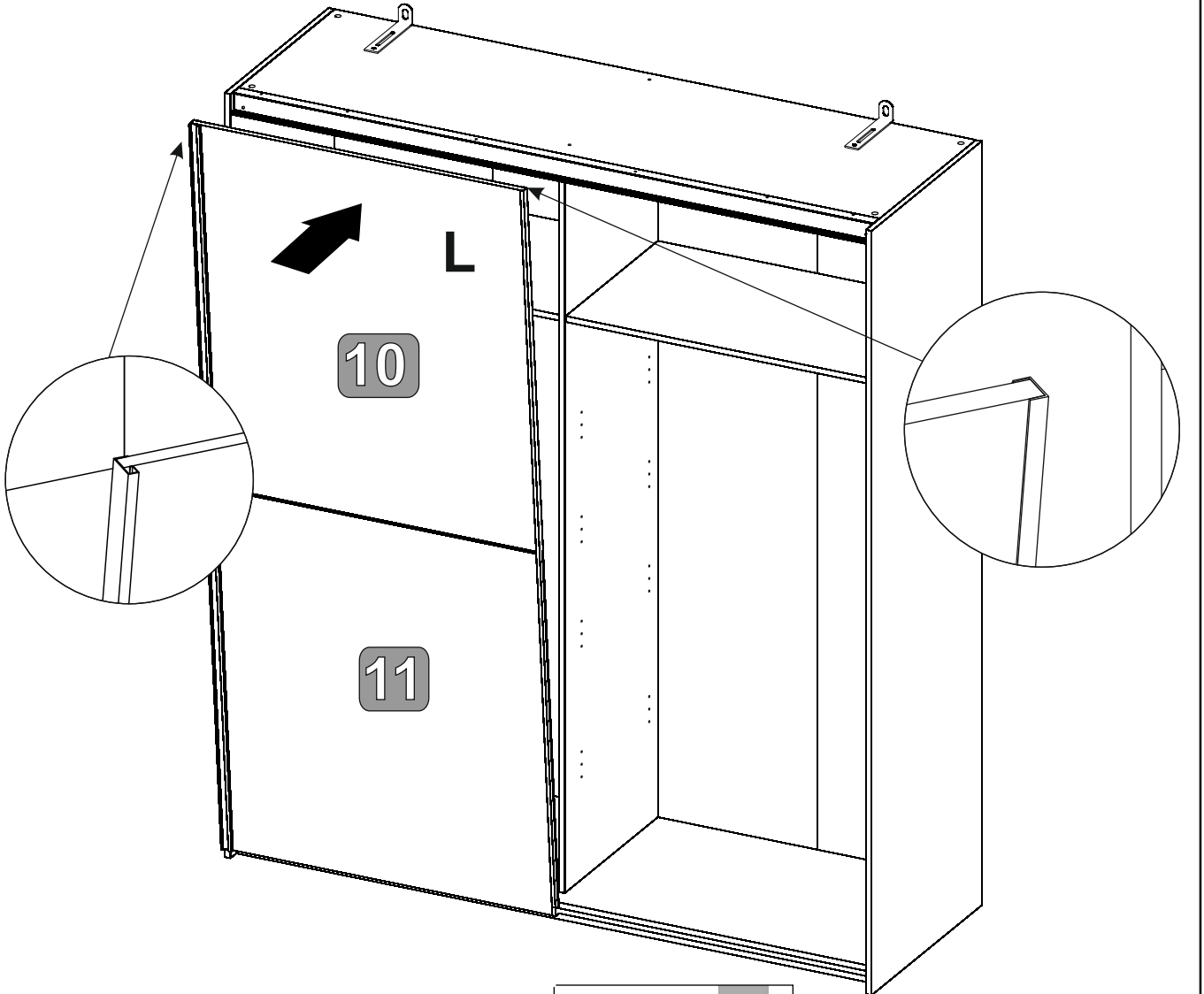
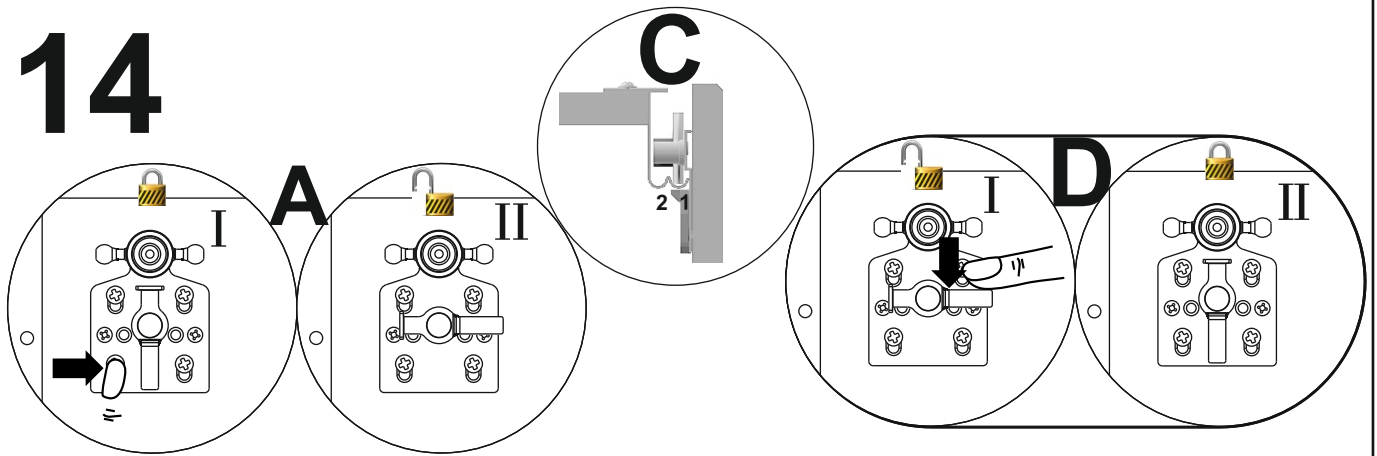


13

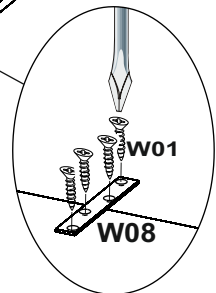
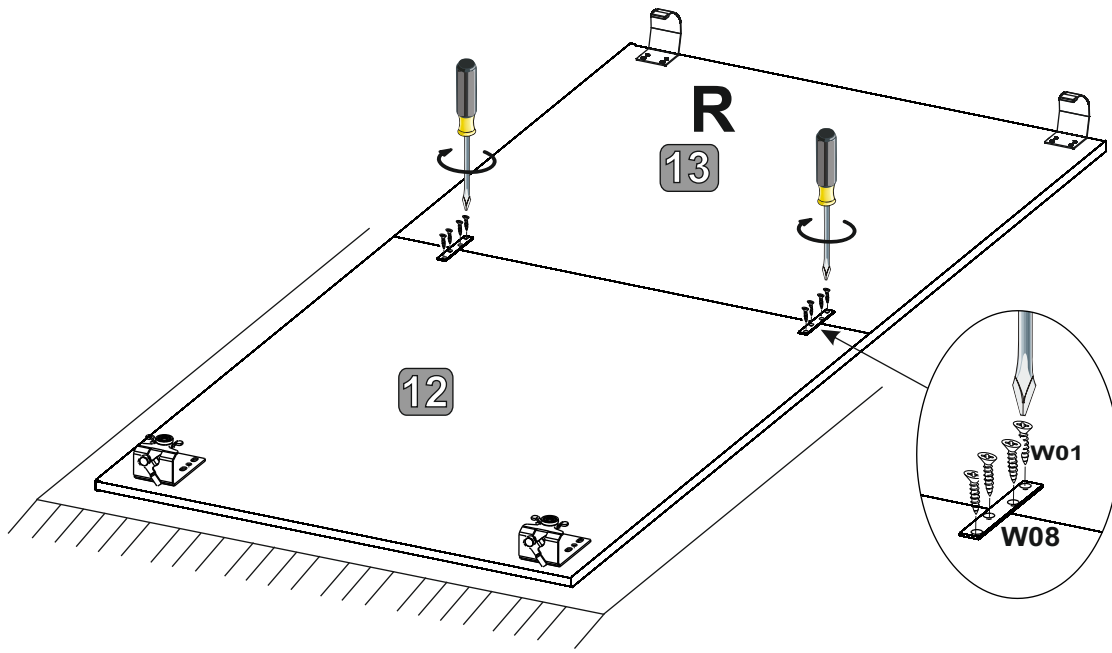
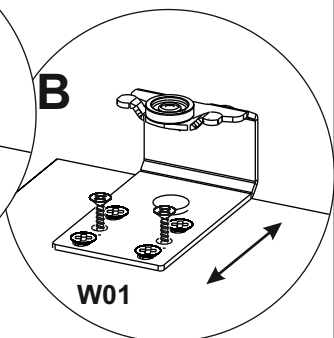
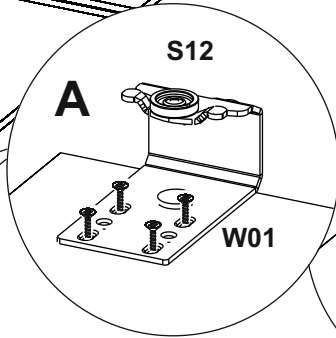
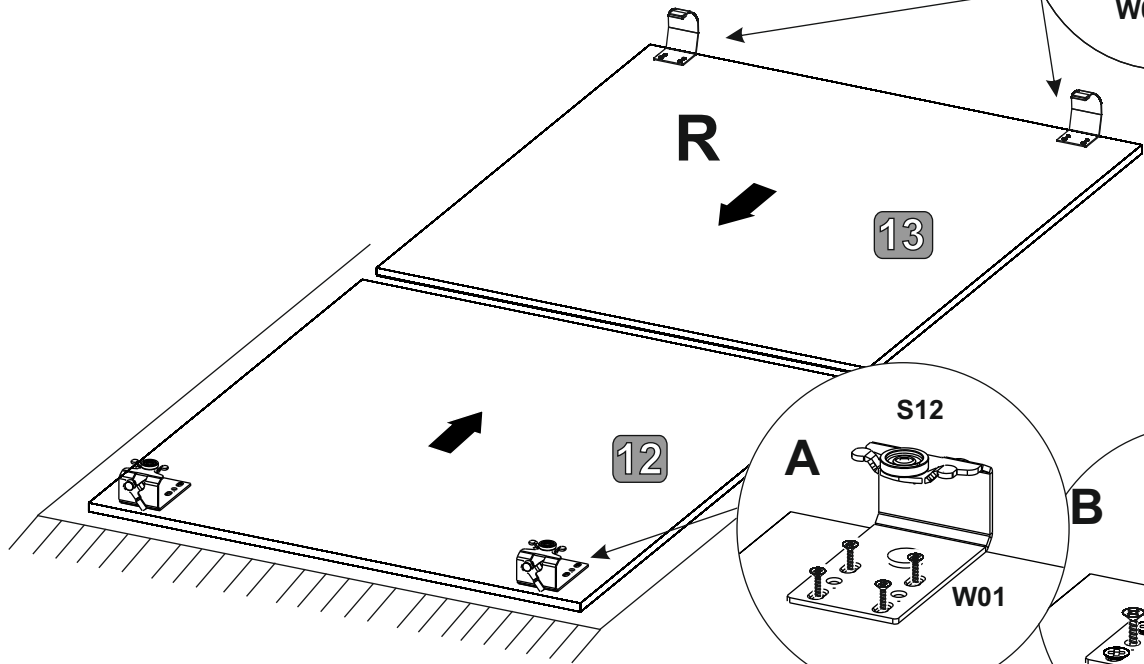
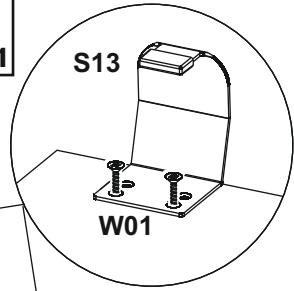
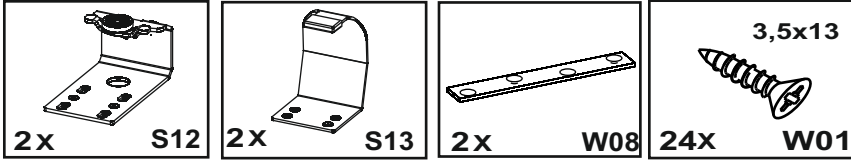
	3,5x13		H-29
16X	W01	2X	ZA3



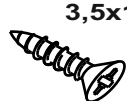
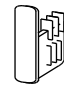
14

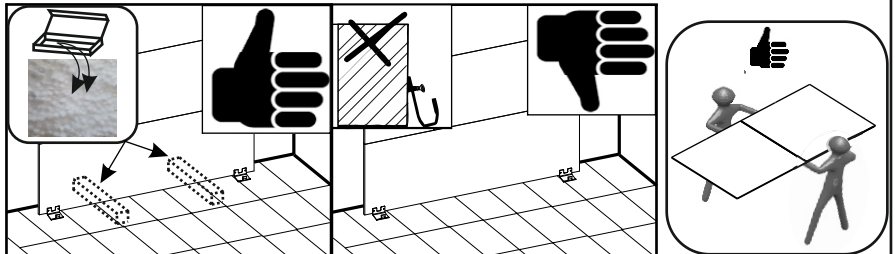
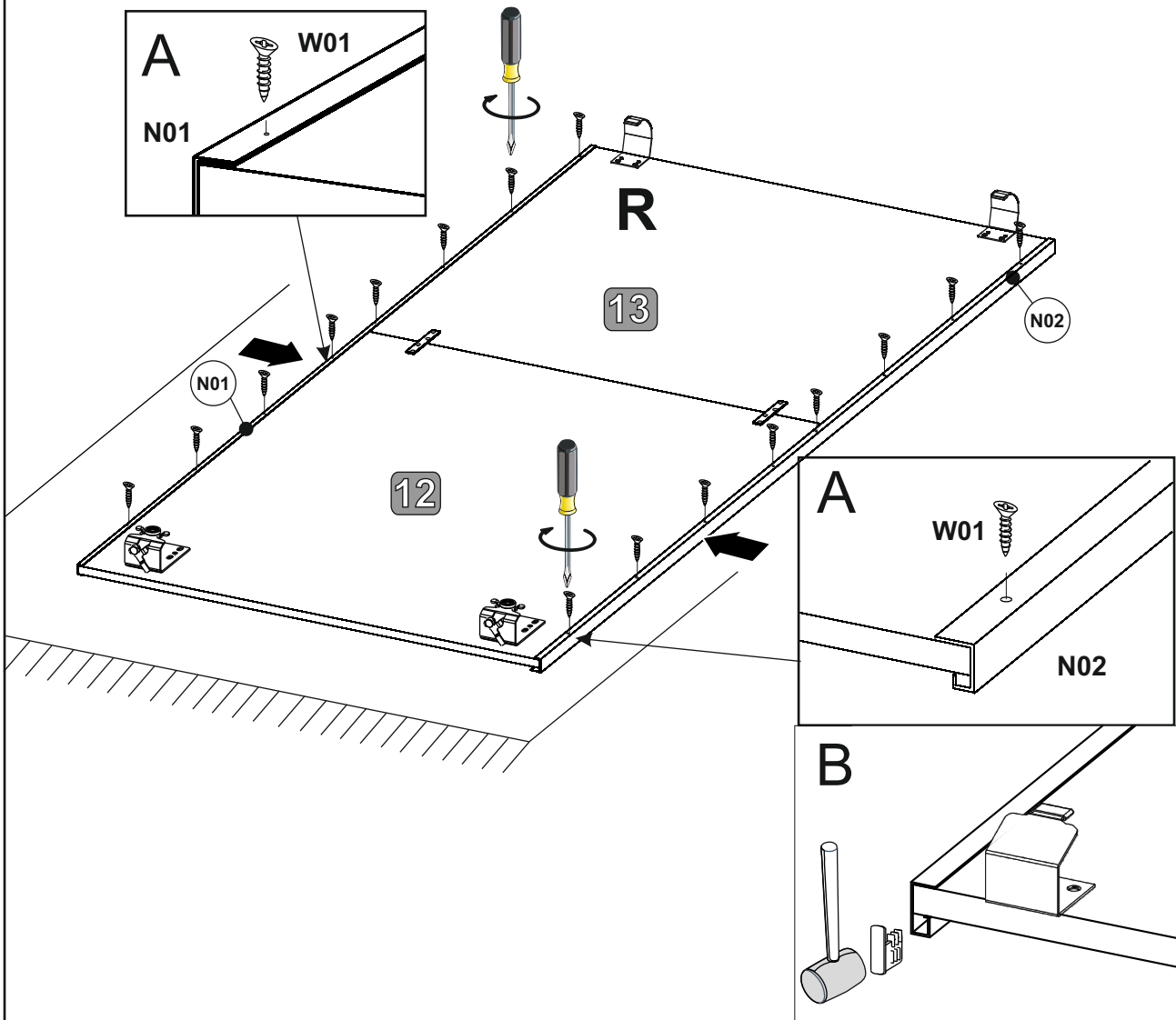


15



16

 <p>3,5x13 W01</p>	 <p>H-29 ZA3</p>
16X	2X



17

