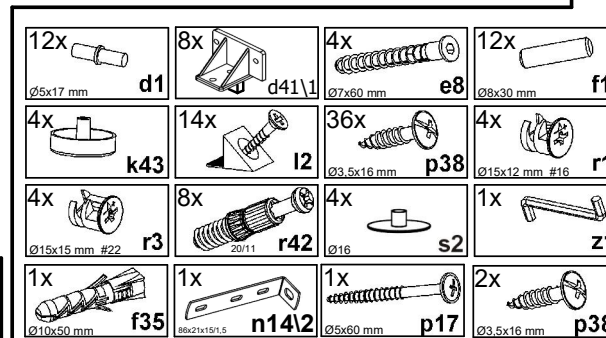
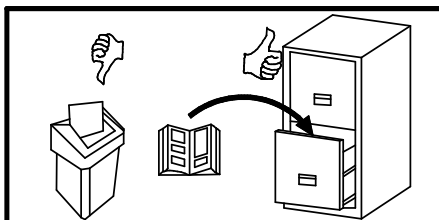
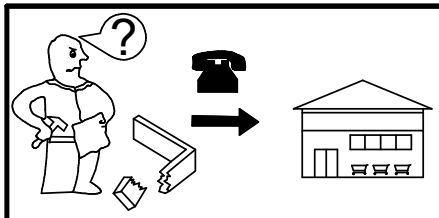
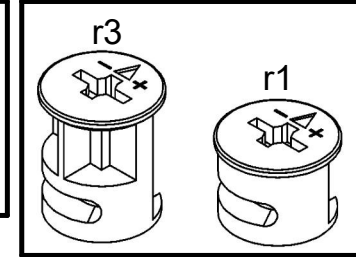
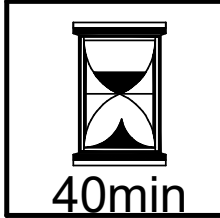
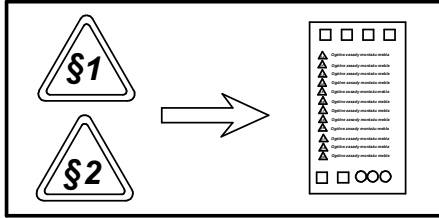
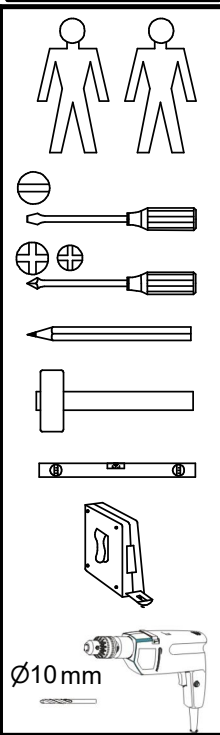
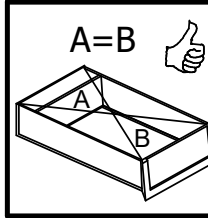
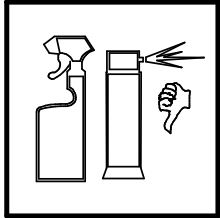
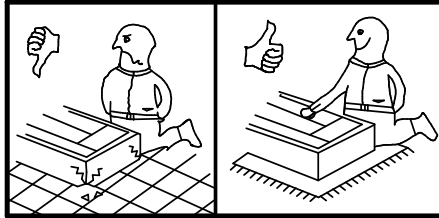
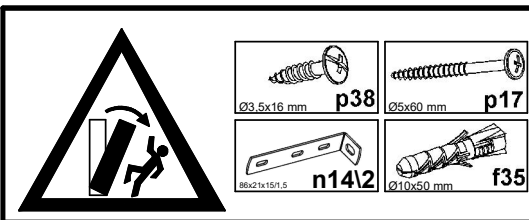
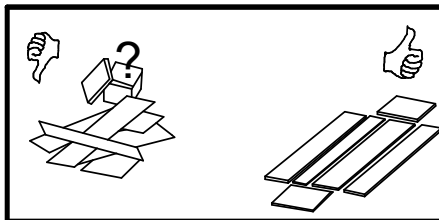
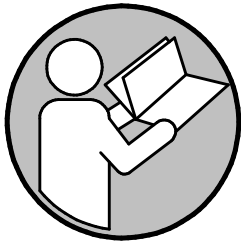
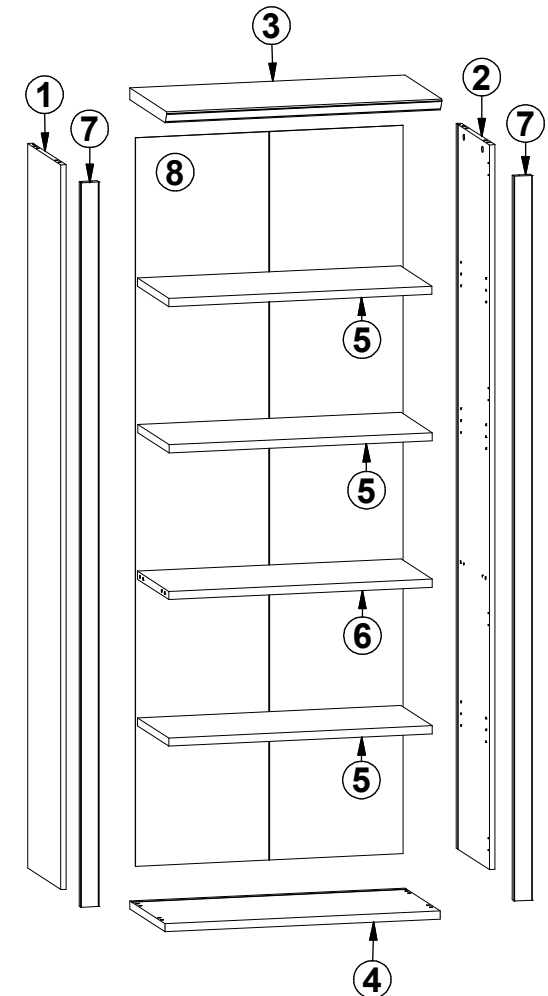


A**S516-REG/20/8****013-D4**

1 / 6



A	B	C1	C2	C3	D
1	S516-1005	1958	342	15	2/2
2	S516-1006	1958	342	15	2/2
3	S516-2001	760	380	32	1/2
4	S516-2002	760	365	22	1/2
5	S516-3001	727	322	22	1/2
6	S516-3002	728	322	22	1/2
7	S516-5003	1958	50	19	2/2
8	S516-9303	1968	739	2,5	2/2

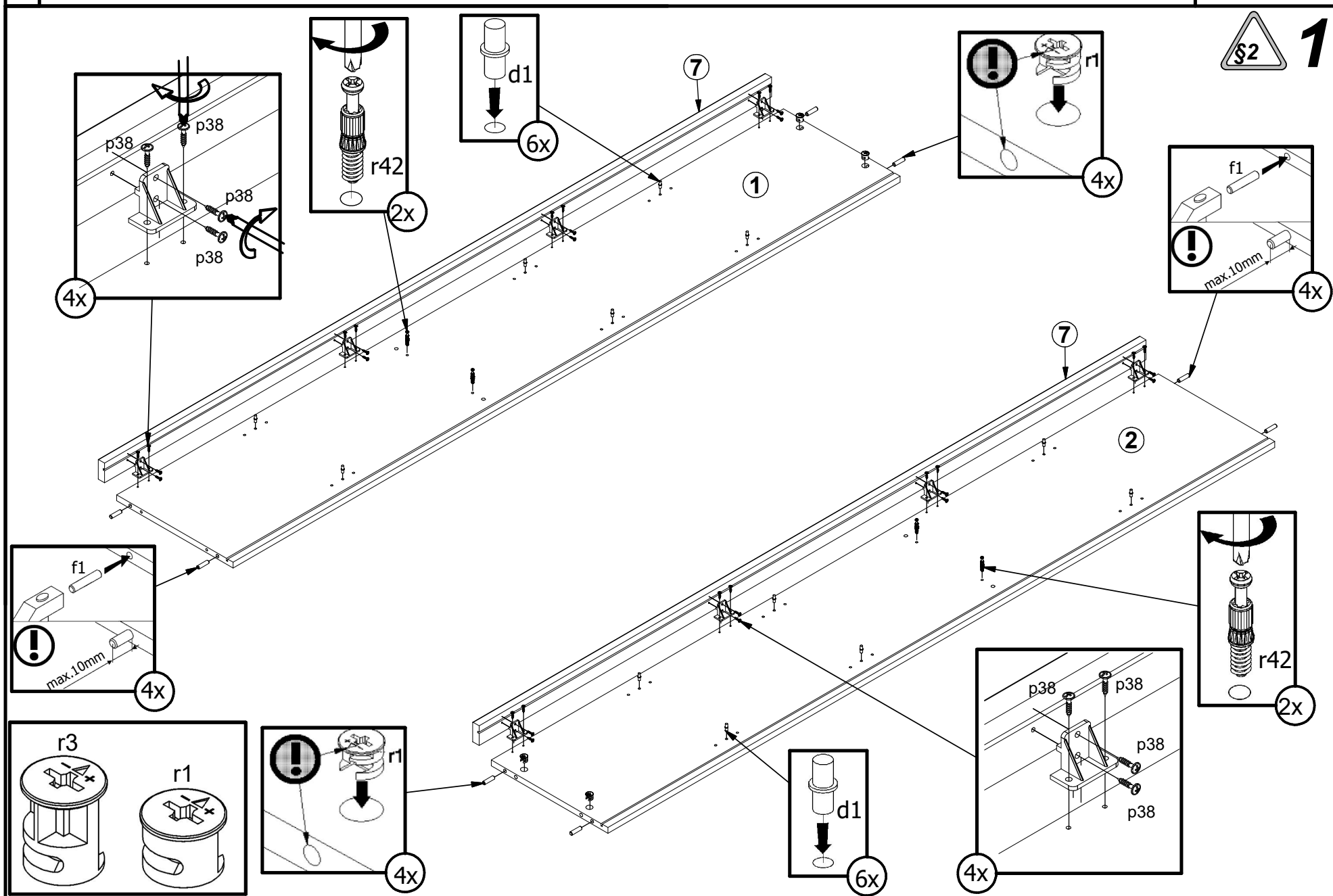


A

S516-REG/20/8

013-D4

2 / 6



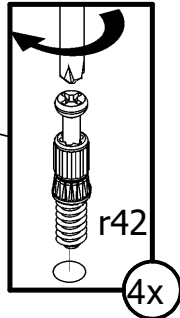
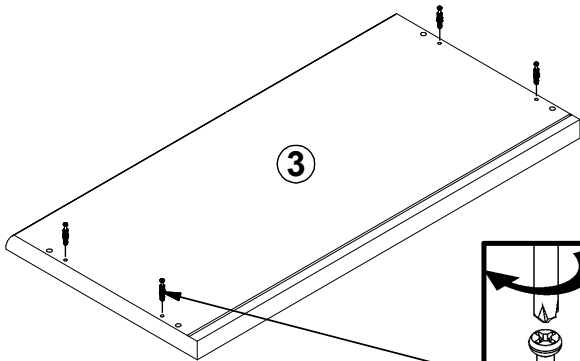
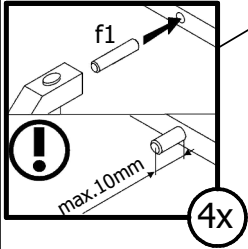
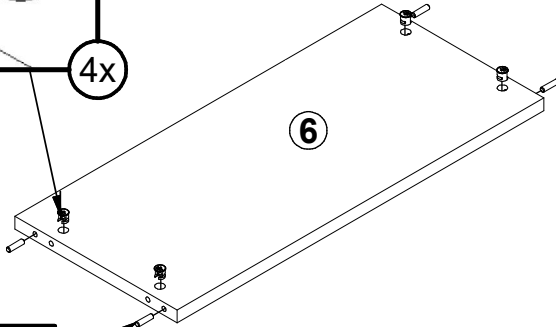
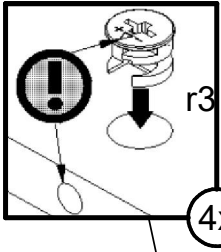
A

S516-REG/20/8

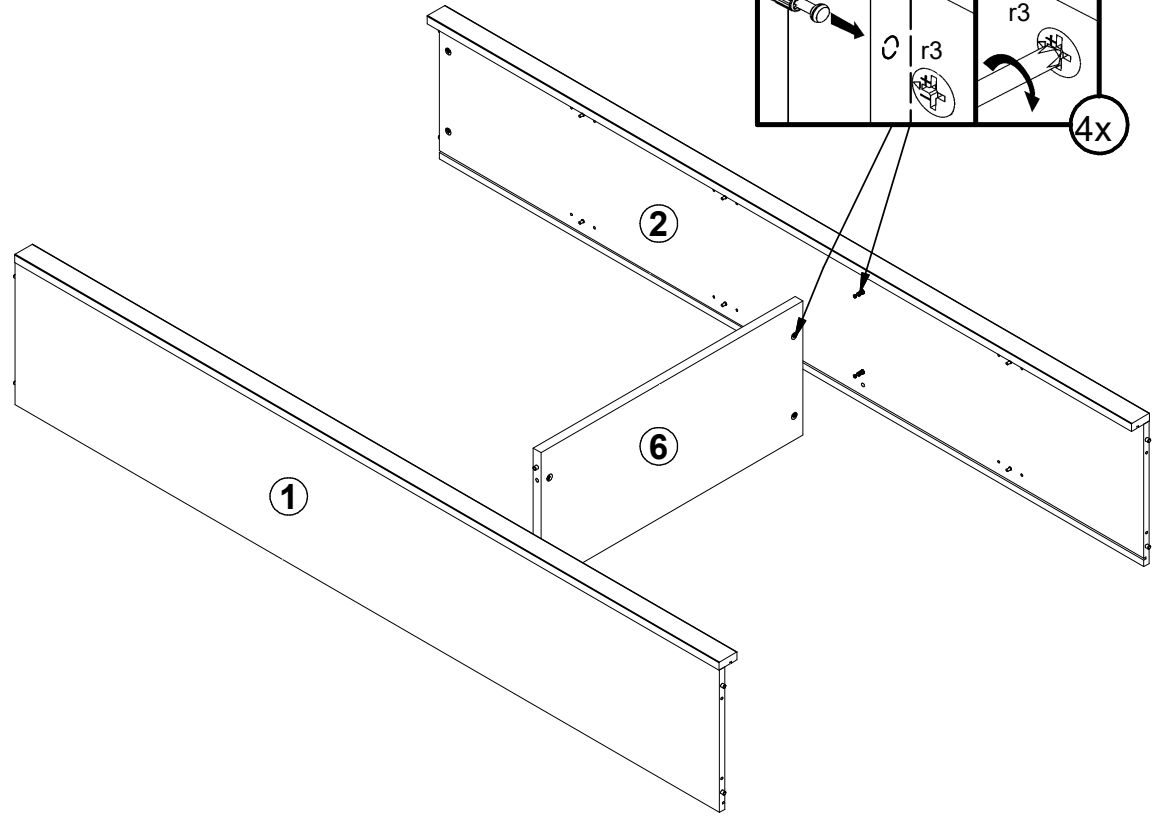
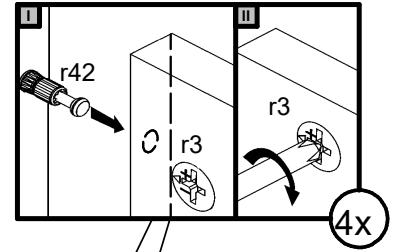
013-D4

3 / 6

§2 **1**

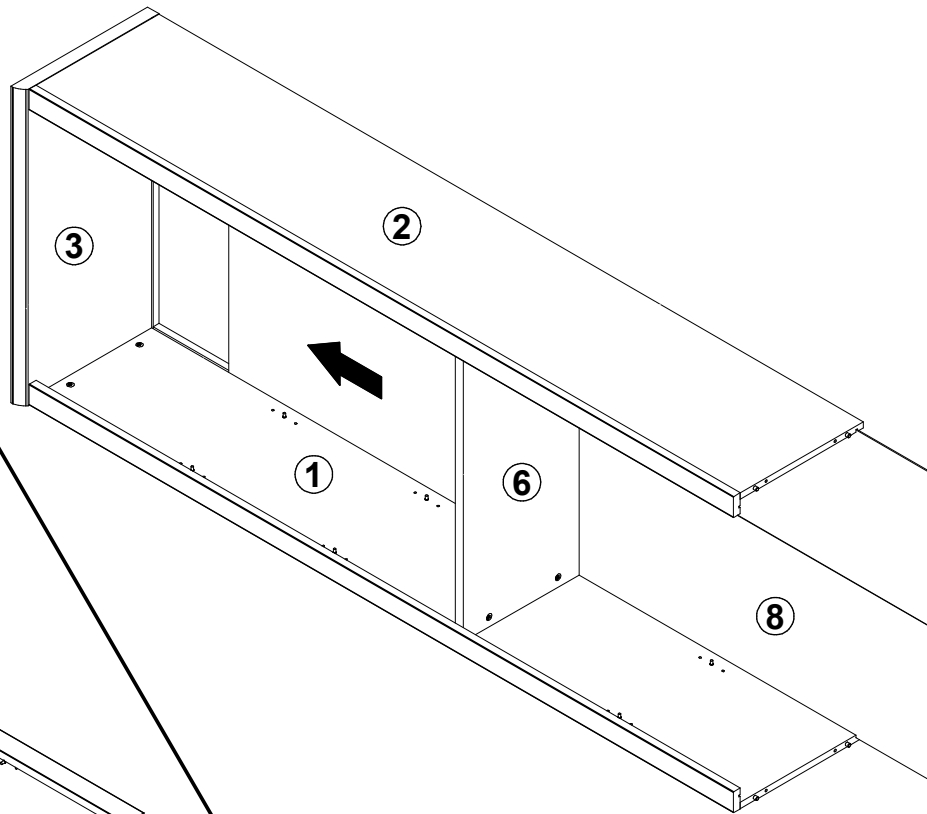
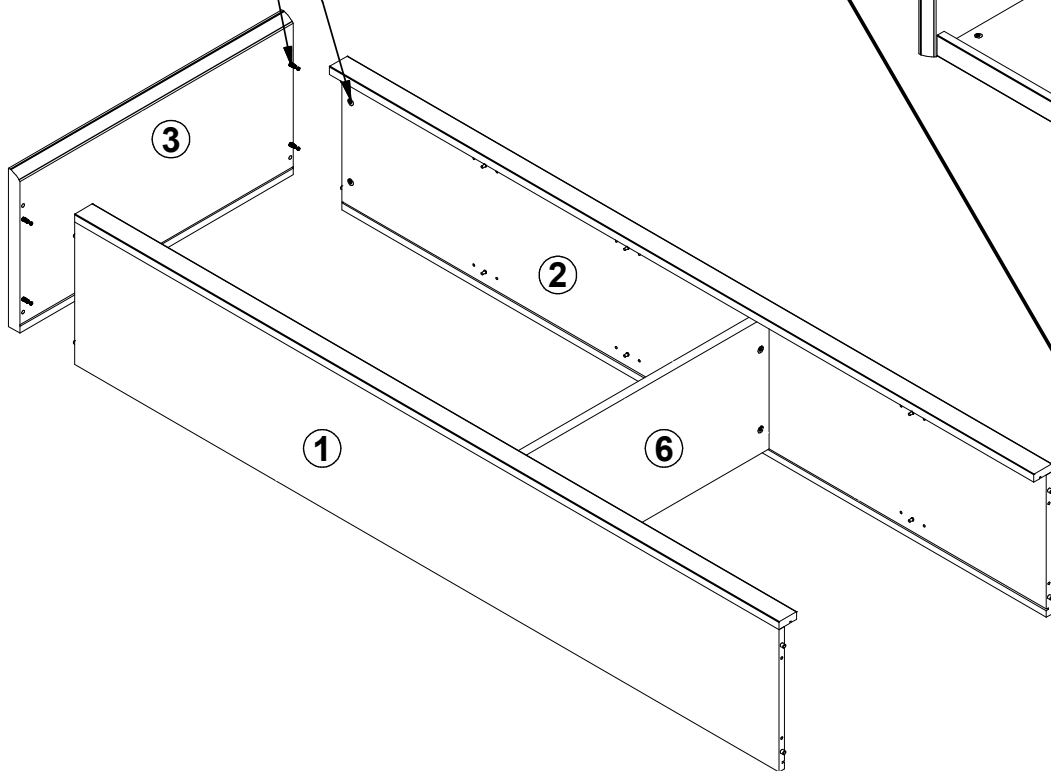
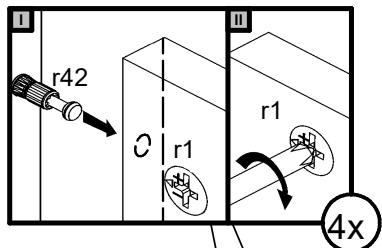


2



3

4



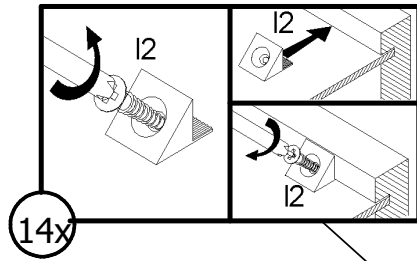
A

S516-REG/20/8

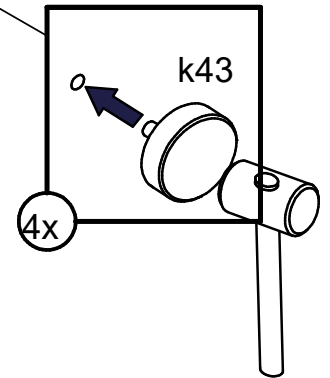
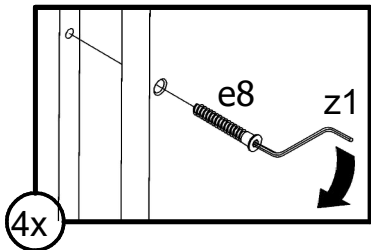
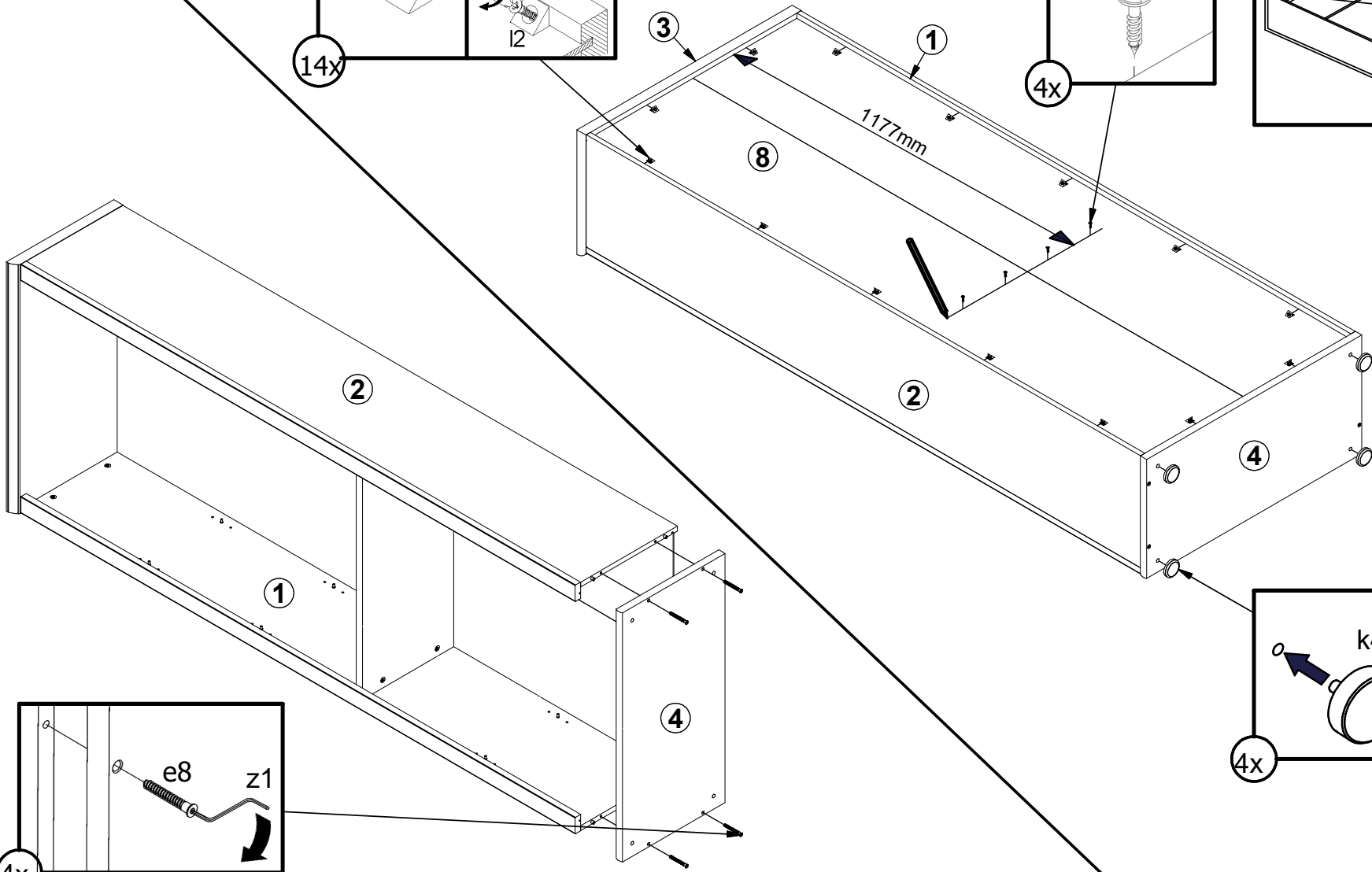
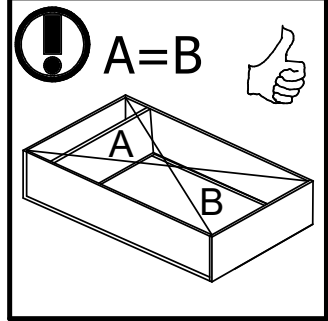
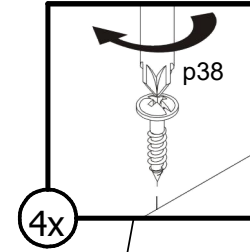
013-D4

5 / 6

5



6



7

