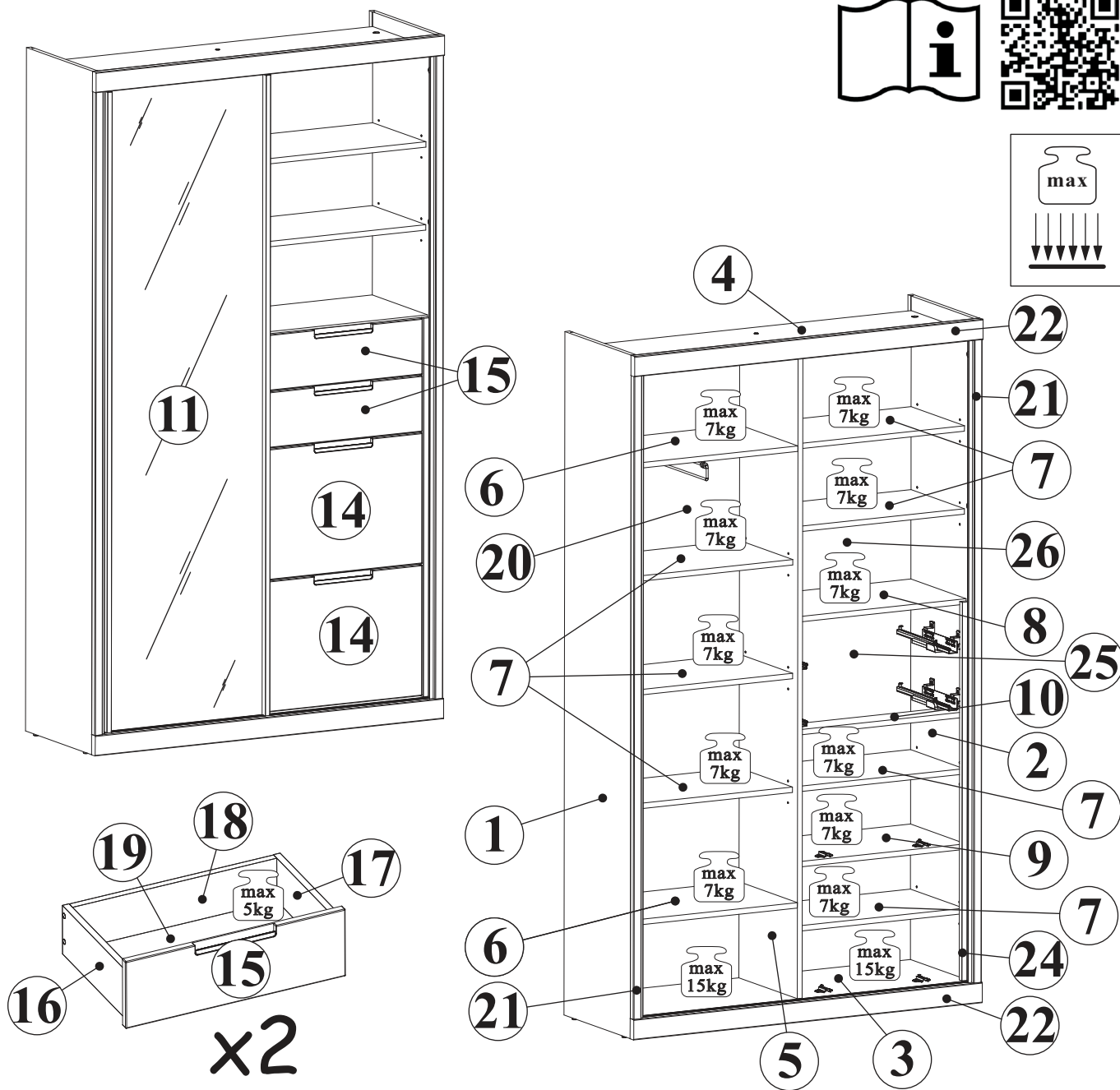
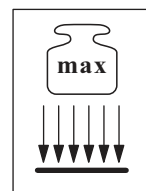


SINGLE TWO 30G499

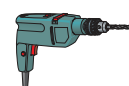
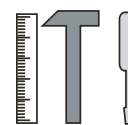


NO	Dim.[mm]			Col.-No	Qty
1	2019	398	16	2/4	1
2	2019	398	16	2/4	1
3	1118	378	16	3/4	1
4	1118	378	16	3/4	1
5	1901	350	16	2/4	1
6	551	350	16	1/4	2
7	551	320	16	1/4	7
8	551	331	16	1/4	1
9	551	331	16	1/4	1
10	551	80	16	1/4	1
11	1893	537	16	4/4	1
14	523	386	18	3/4	2

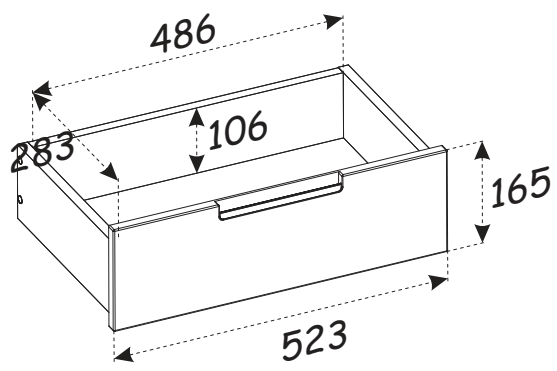
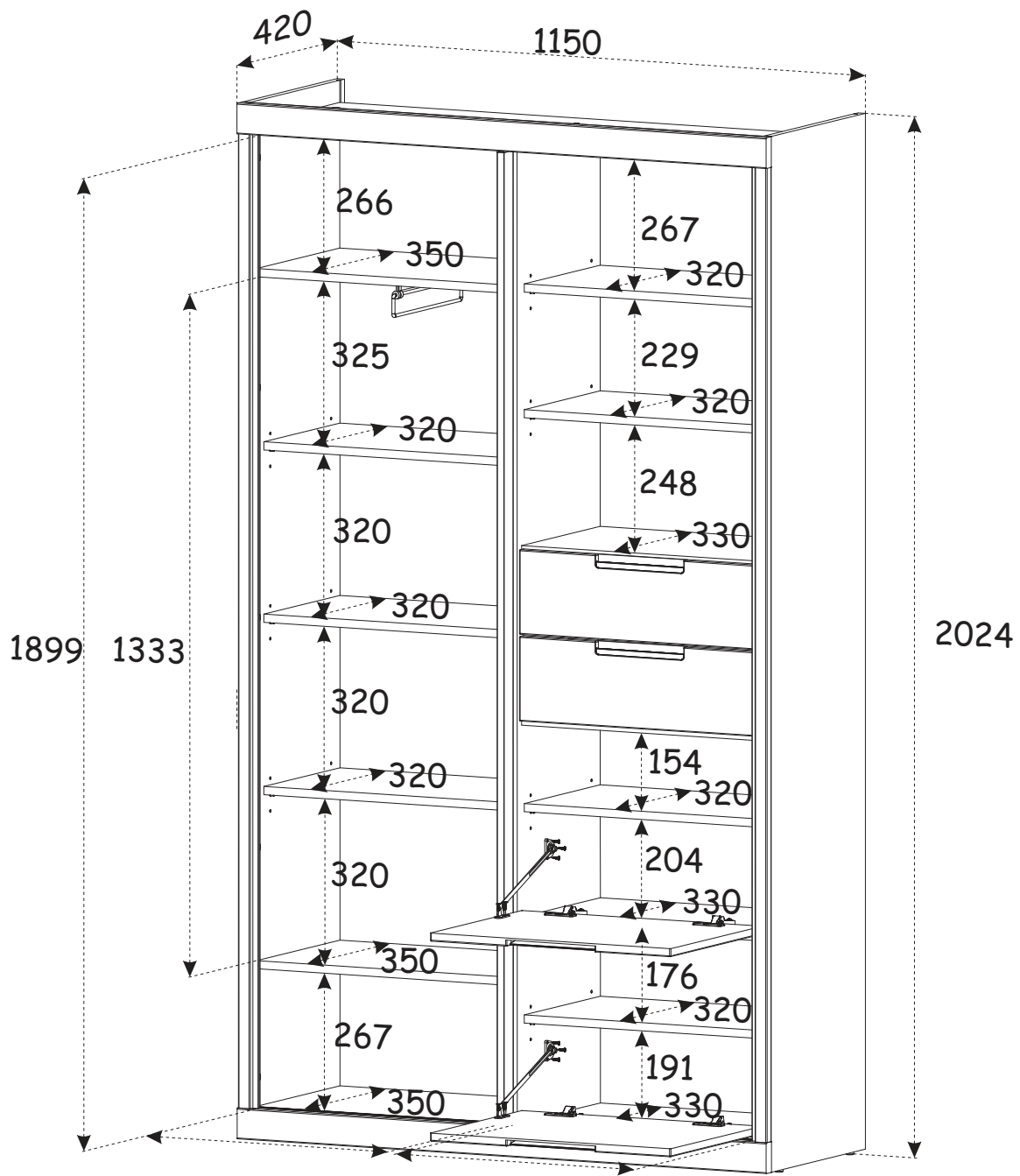
	Dim.[mm]			Col.-No	Qty
15	523	165	18	3/4	2
16	300	120	16	3/4	2
17	300	120	16	3/4	2
18	486	106	16	3/4	2
19	304	498	3	1/4	2
20	1931	564	3	4/4	1
21	1899	38	19	4/4	2
22	1152	60	22	3/4	2
24	1118	20	16	3/4	1
25	1130	564	3	4/4	1
26	801	564	3	4/4	1

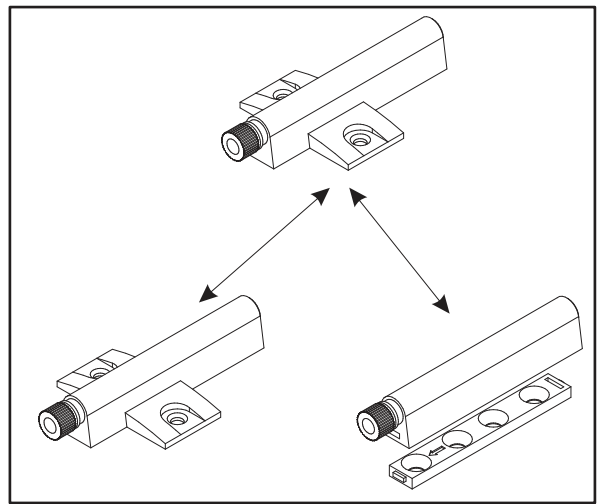
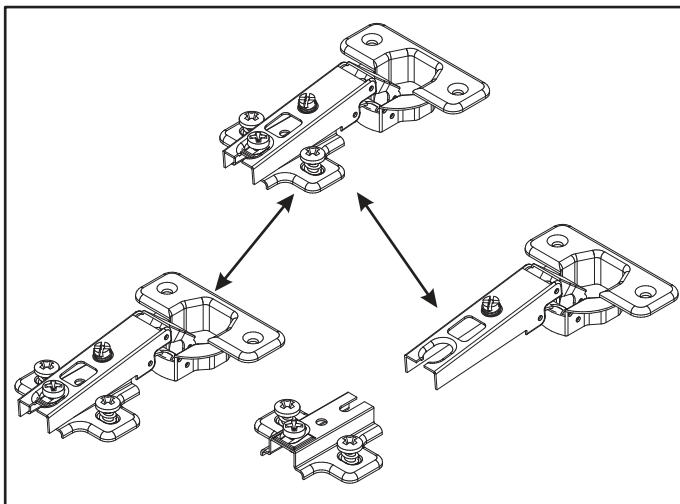
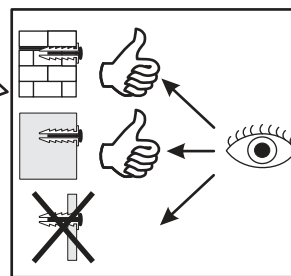
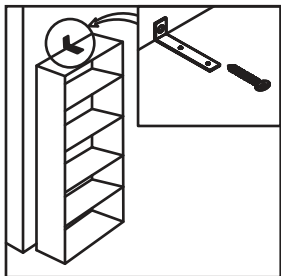
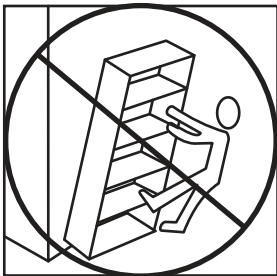
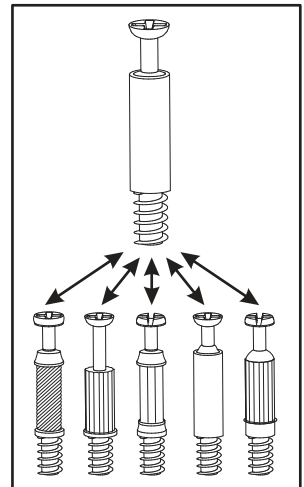
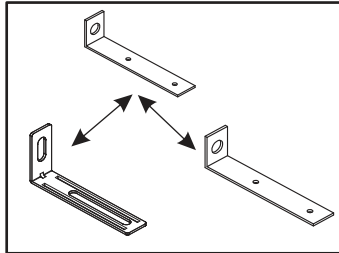
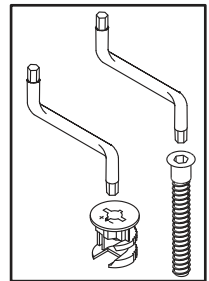
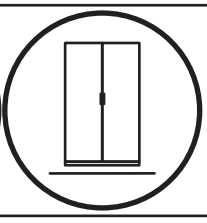
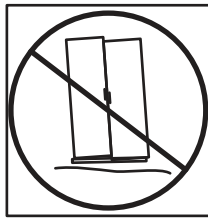
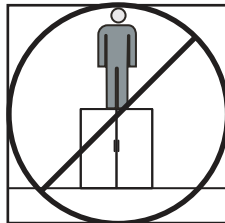
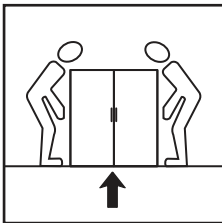
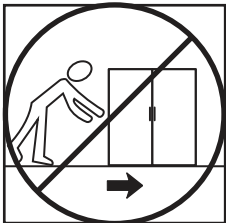
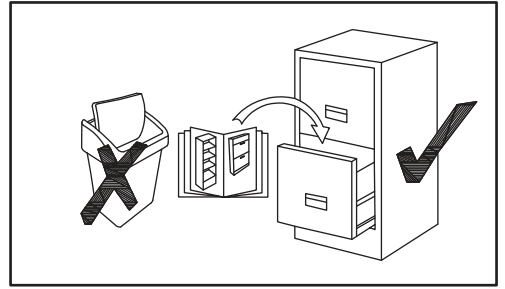
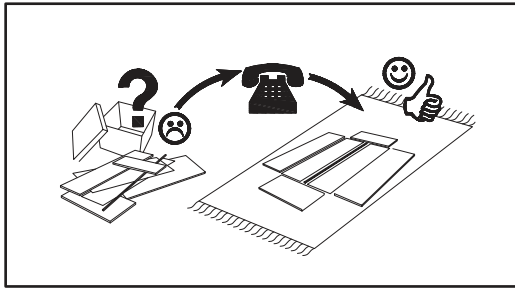
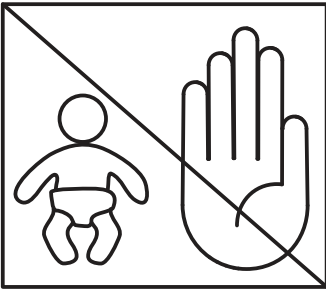
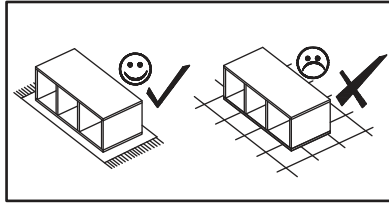
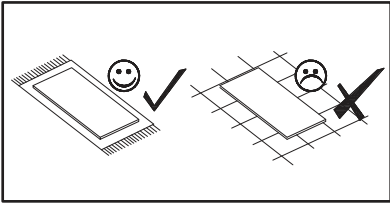


120 min



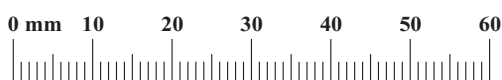
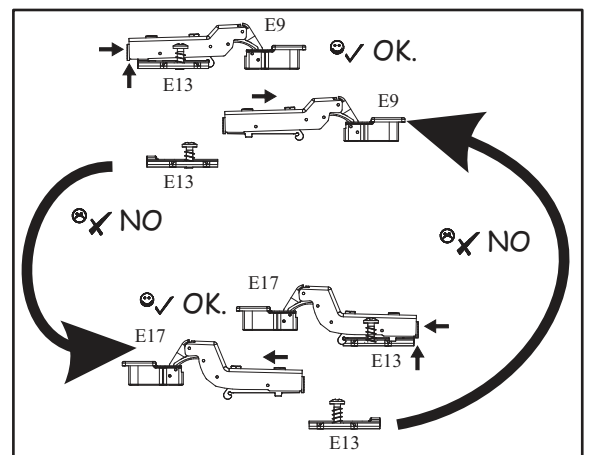
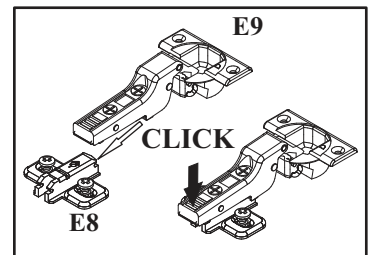
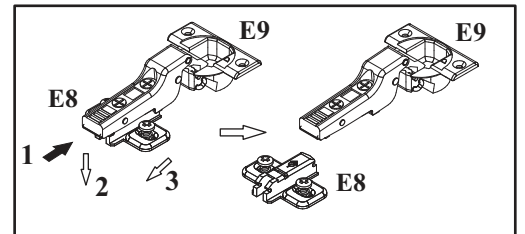
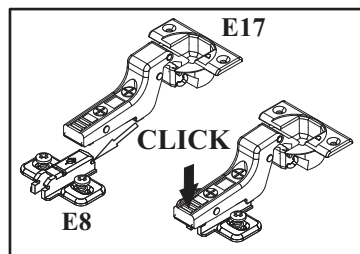
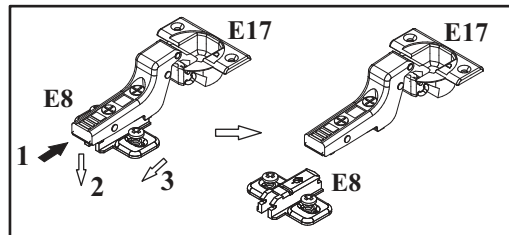
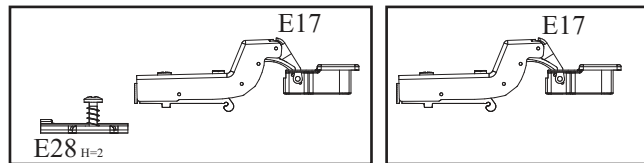
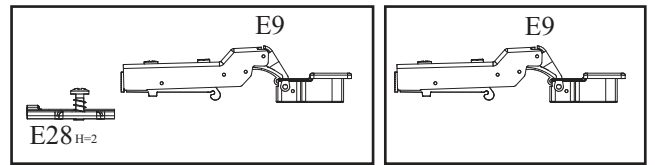
SINGLE TWO 30G499



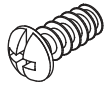


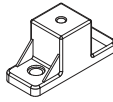
SINGLE TWO 30G499

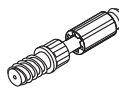
A1 x38 ø8x36	B4 x40	B5 x40 ø15x12	G5 x37	G4 x8	B11 x12 Ø7x50
E17 x2 Ø35 H=16	E9 x2 Ø35 H=8	E28 x4 H=2	HW1 x4	HS12 x1	C6 x1 L-300mm
G7 x28	I2 x4	OM x2 L-1892mm	QU2 x2 L-300mm	G21 x2	S1 x20
KM4 x3 20x20	KM5 x6 35x27	G16 x11	EK6 x20 EKØ6,3x13	D20 x8 ESØ6x9,5	D52 x4 ESØ5x9
D10 x30 USØ3,5x13	UP9 x77 UPØ3,5x16	ST28 x1 60x60x40	L1 x2	KR1 x2	G2 x1
P3 x6	G8 x3 Ø20				




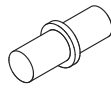
1


EK6	
x8	EKØ6,3x13

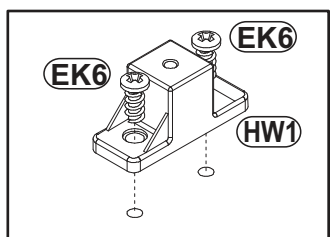
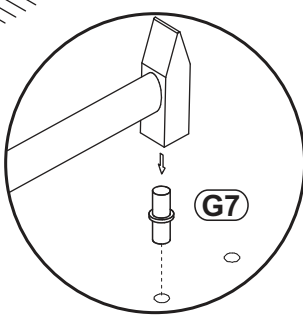
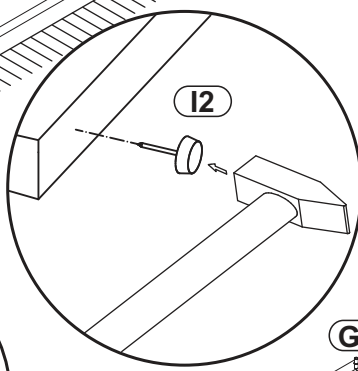
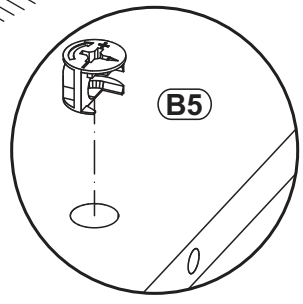
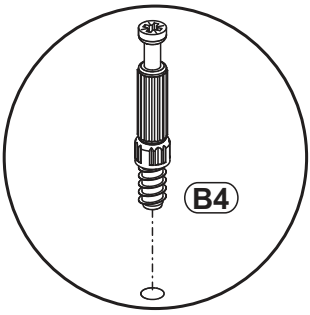
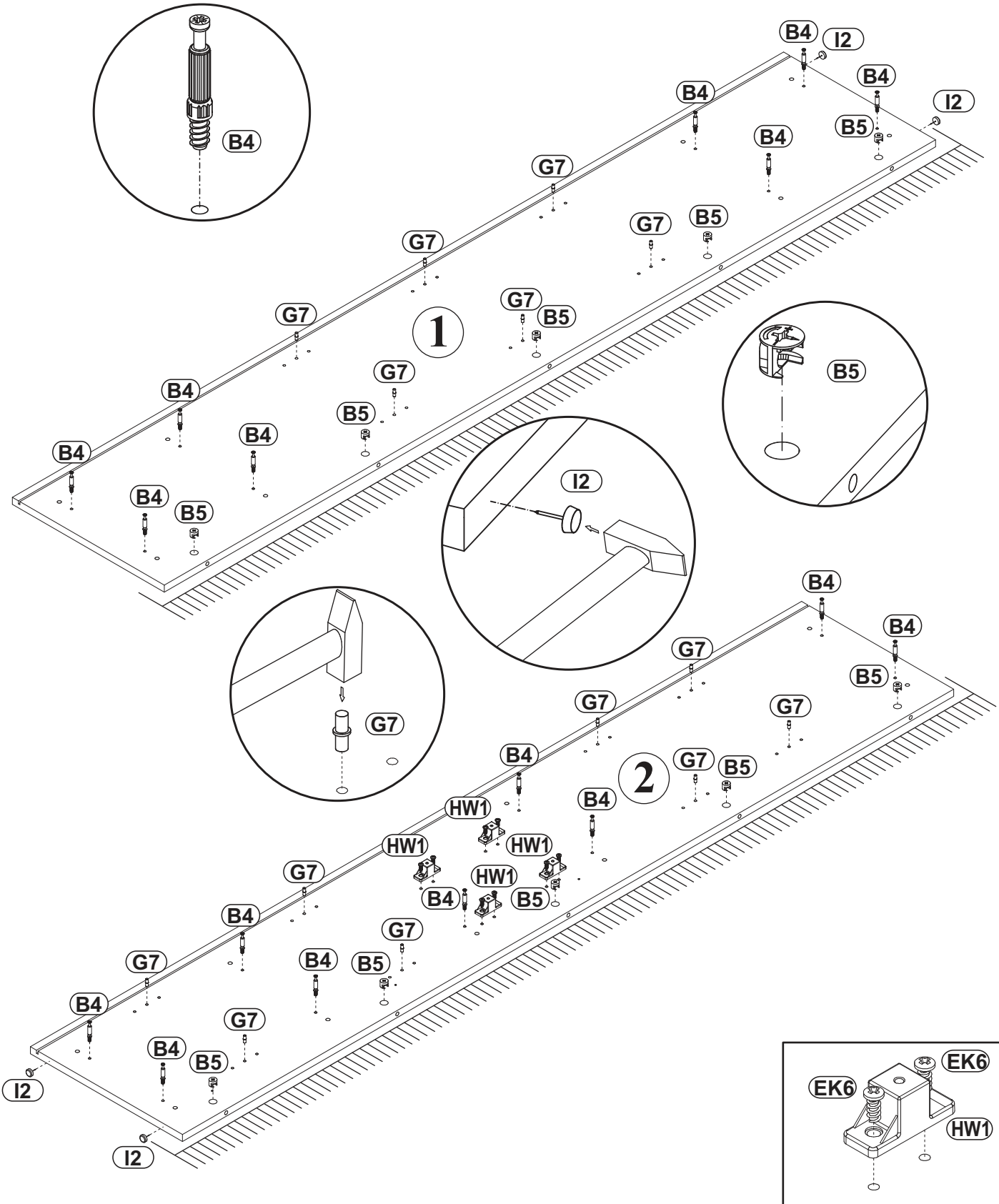
HW1	
x4	

B4	
x17	

B5	
x10	ø15x12

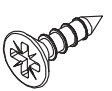
G7	
x14	

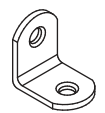
I2	
x4	

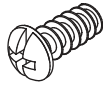


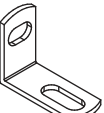
SINGLE TWO 30G499

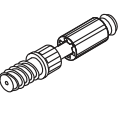
2

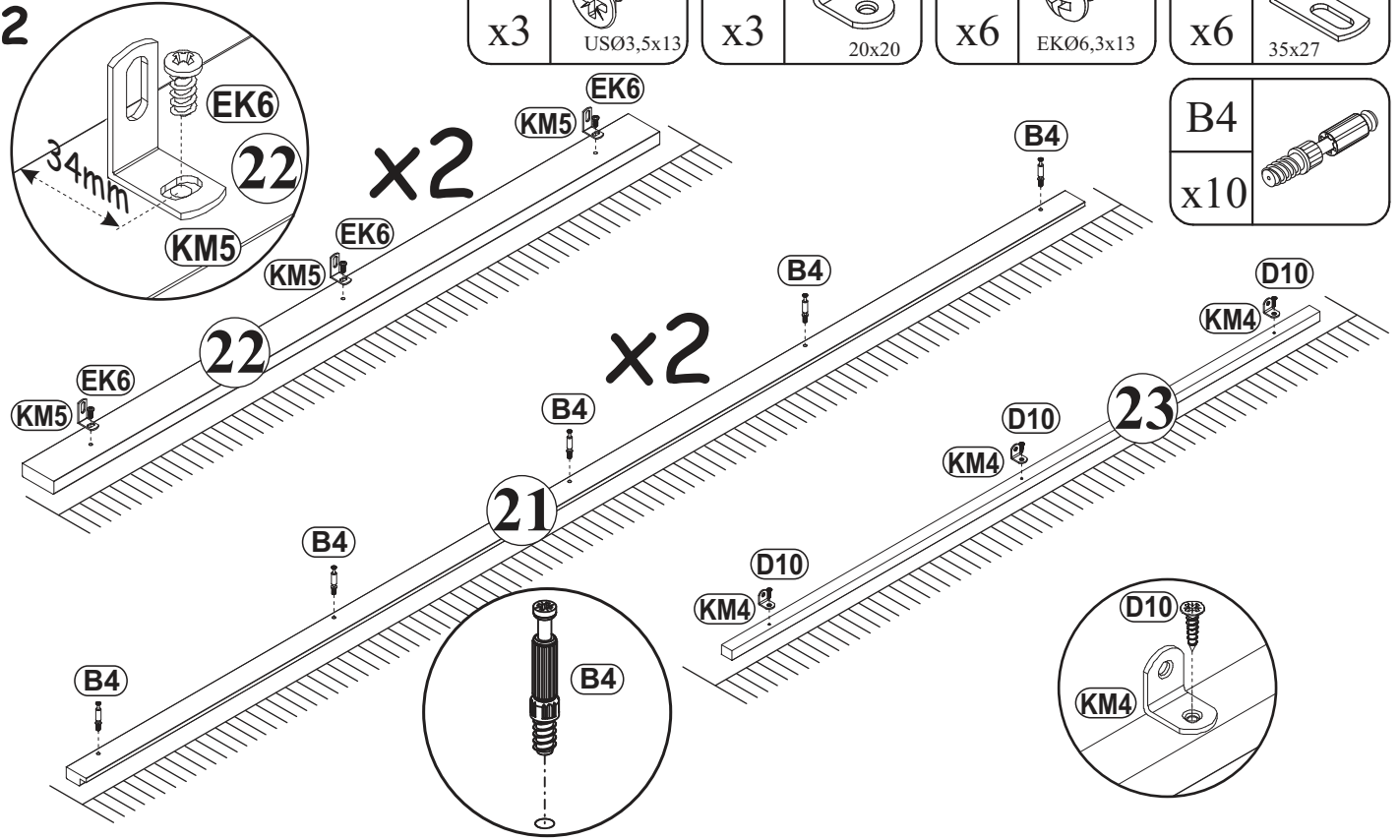
D10	
x3	USØ3,5x13

KM4	
x3	20x20

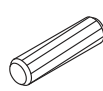
EK6	
x6	EKØ6,3x13

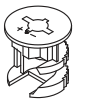
KM5	
x6	35x27

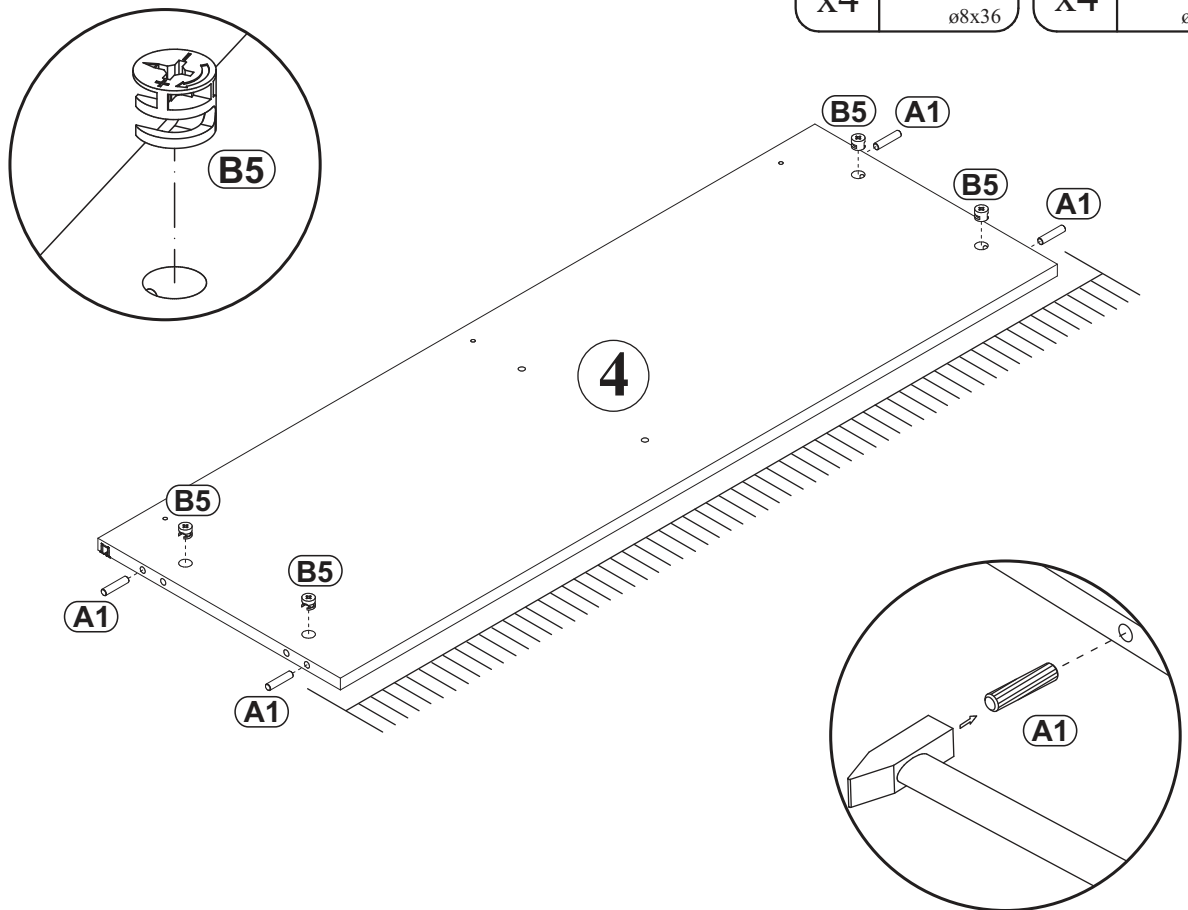
B4	
x10	

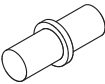


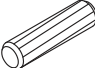
3

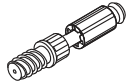
A1	
x4	ø8x36

B5	
x4	ø15x12

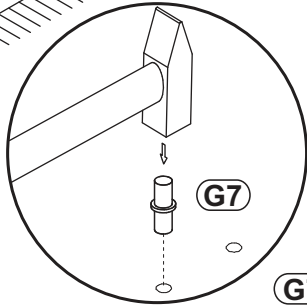
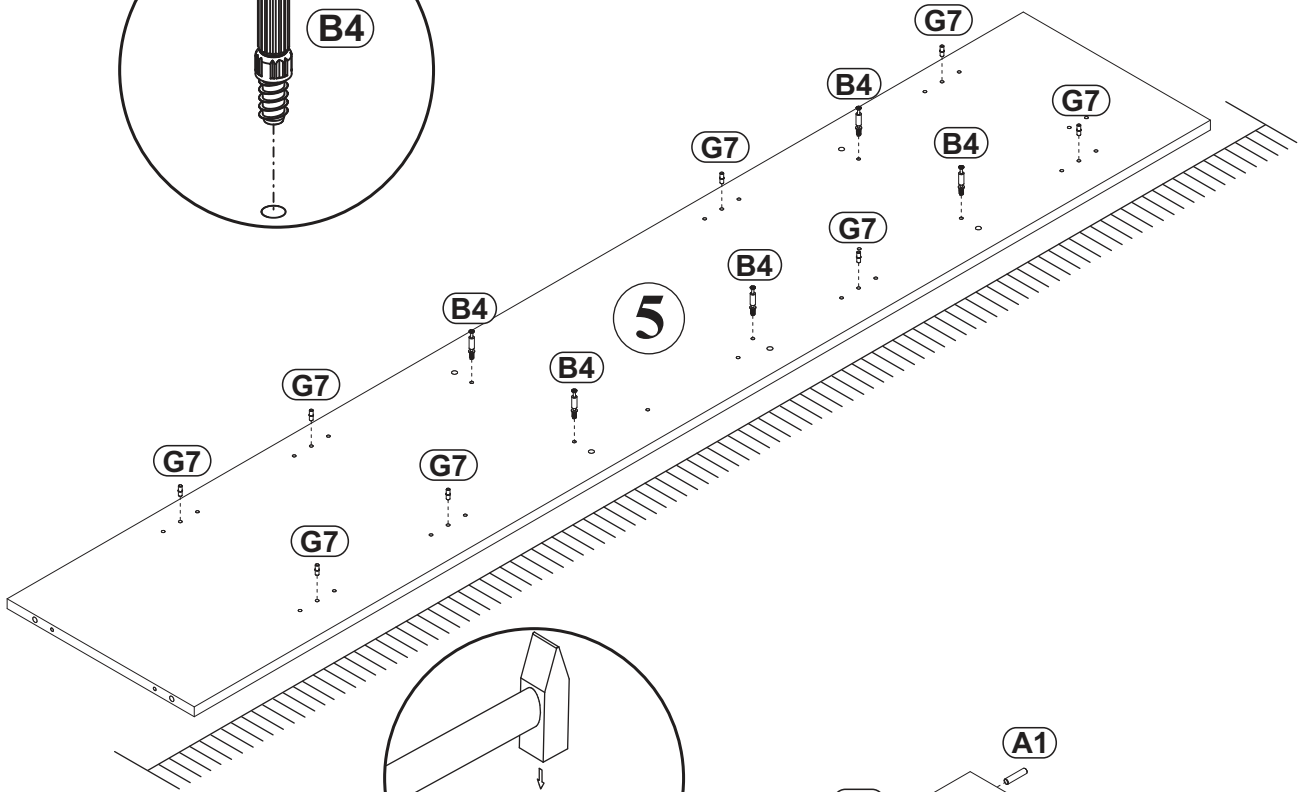
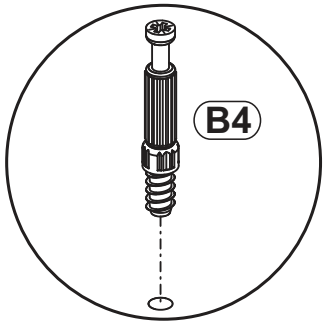


G7	
x14	

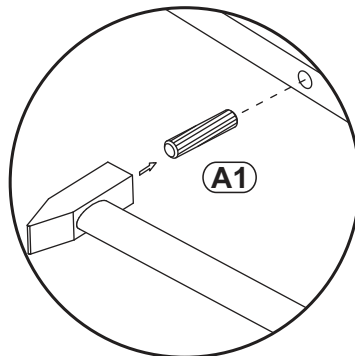
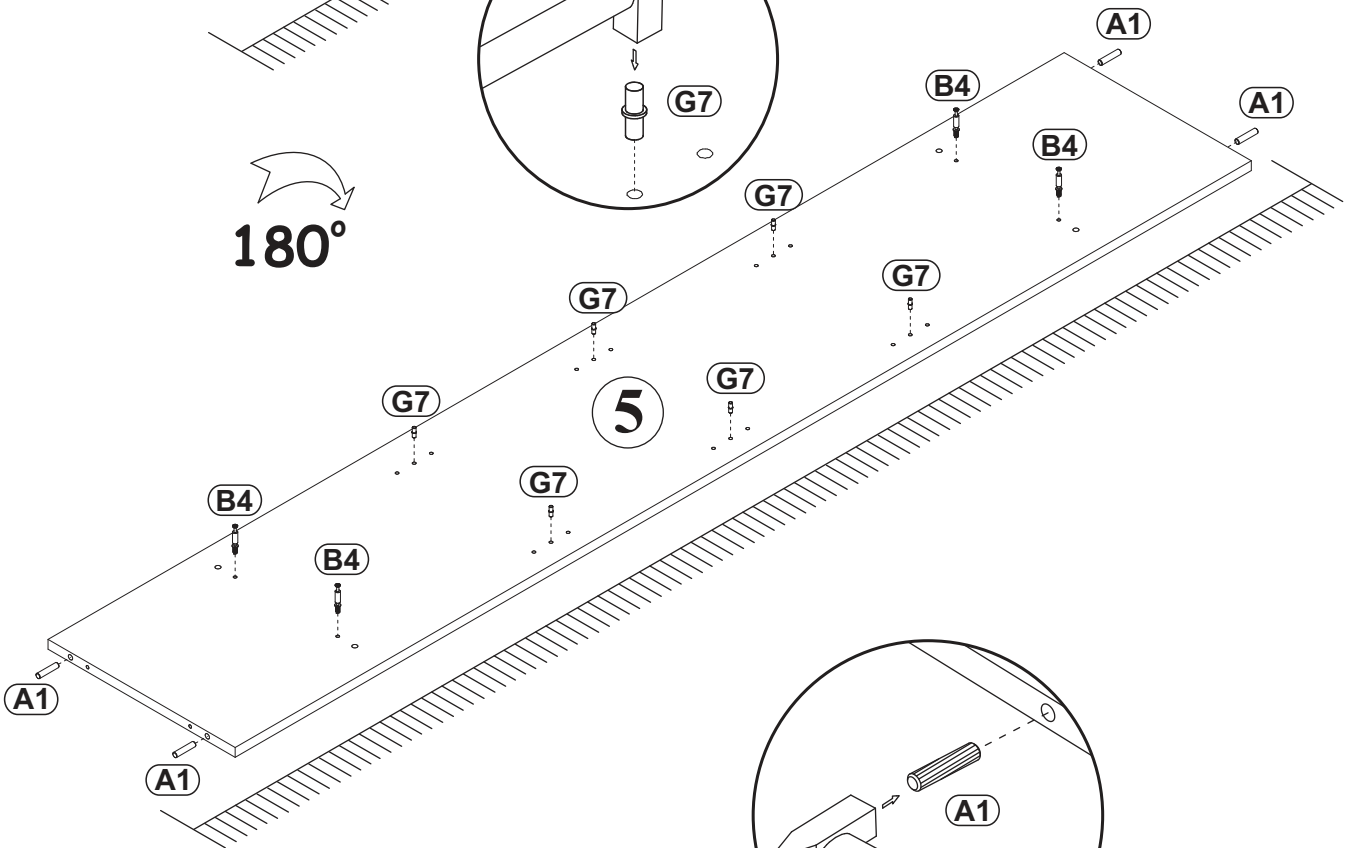
A1	
x4	ø8x36

B4	
x9	

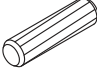
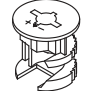
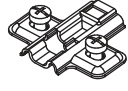
4

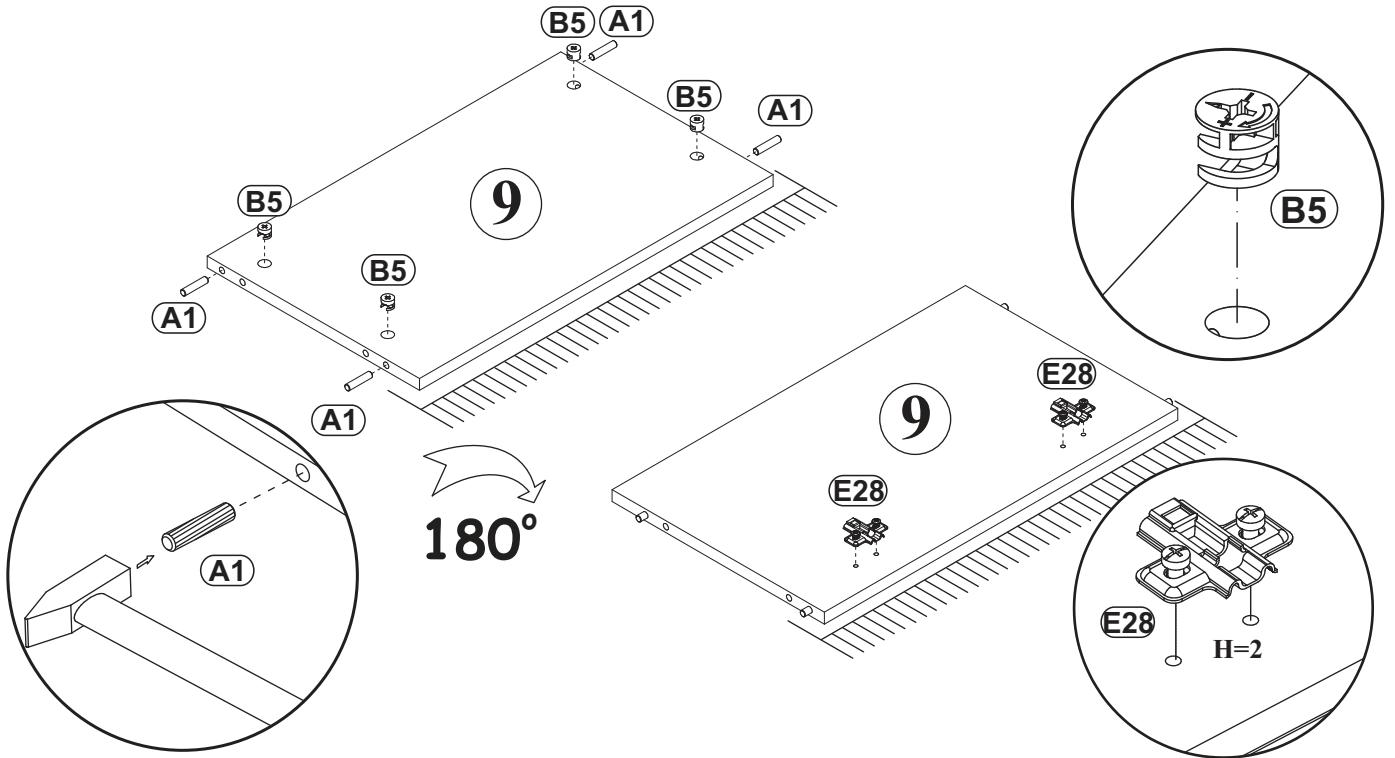


180°

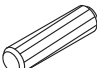

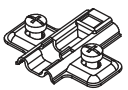


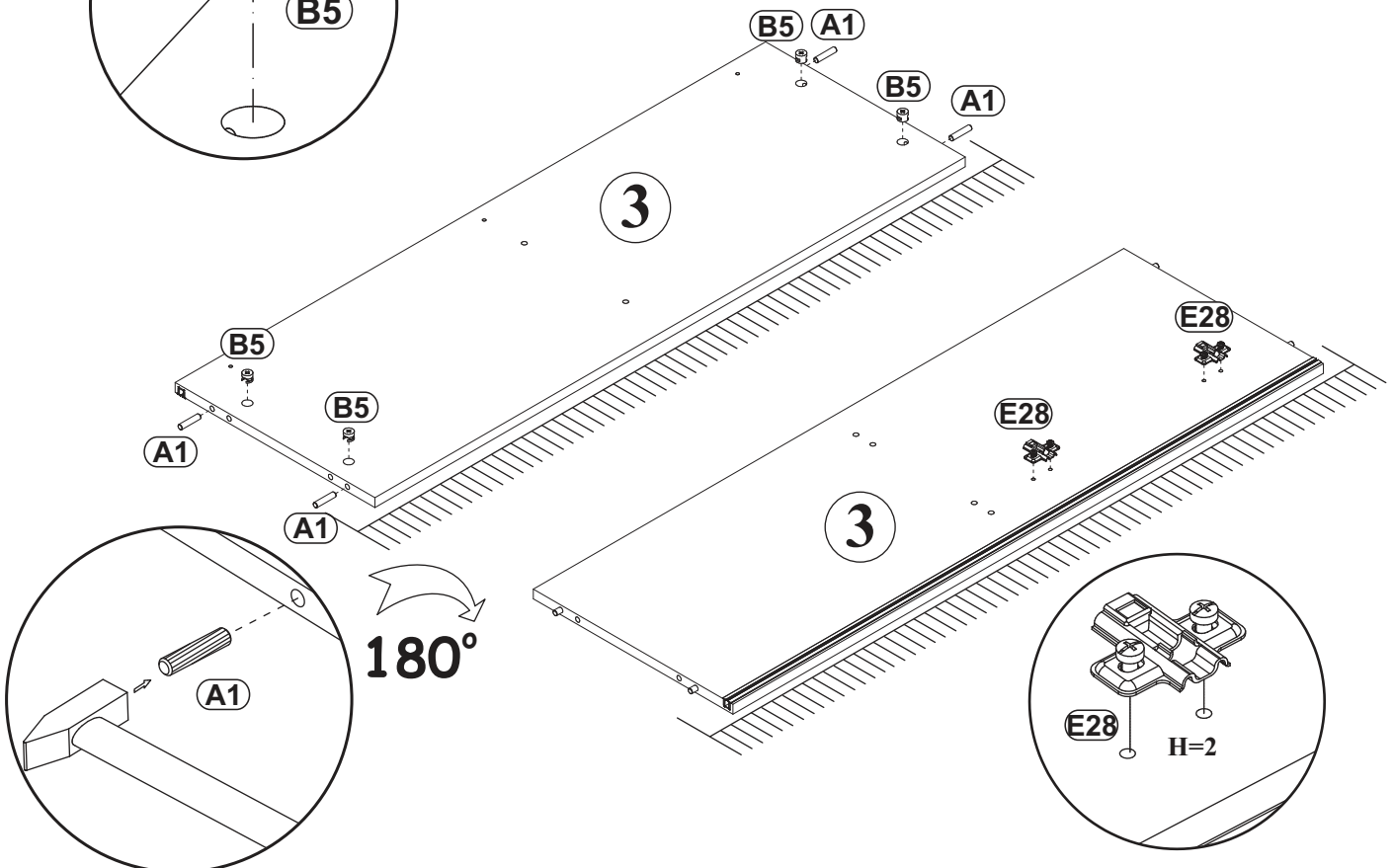
5

A1		B5		E28	
x4	ø8x36	x4	ø15x12	x2	H=2

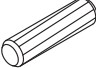
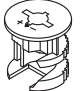


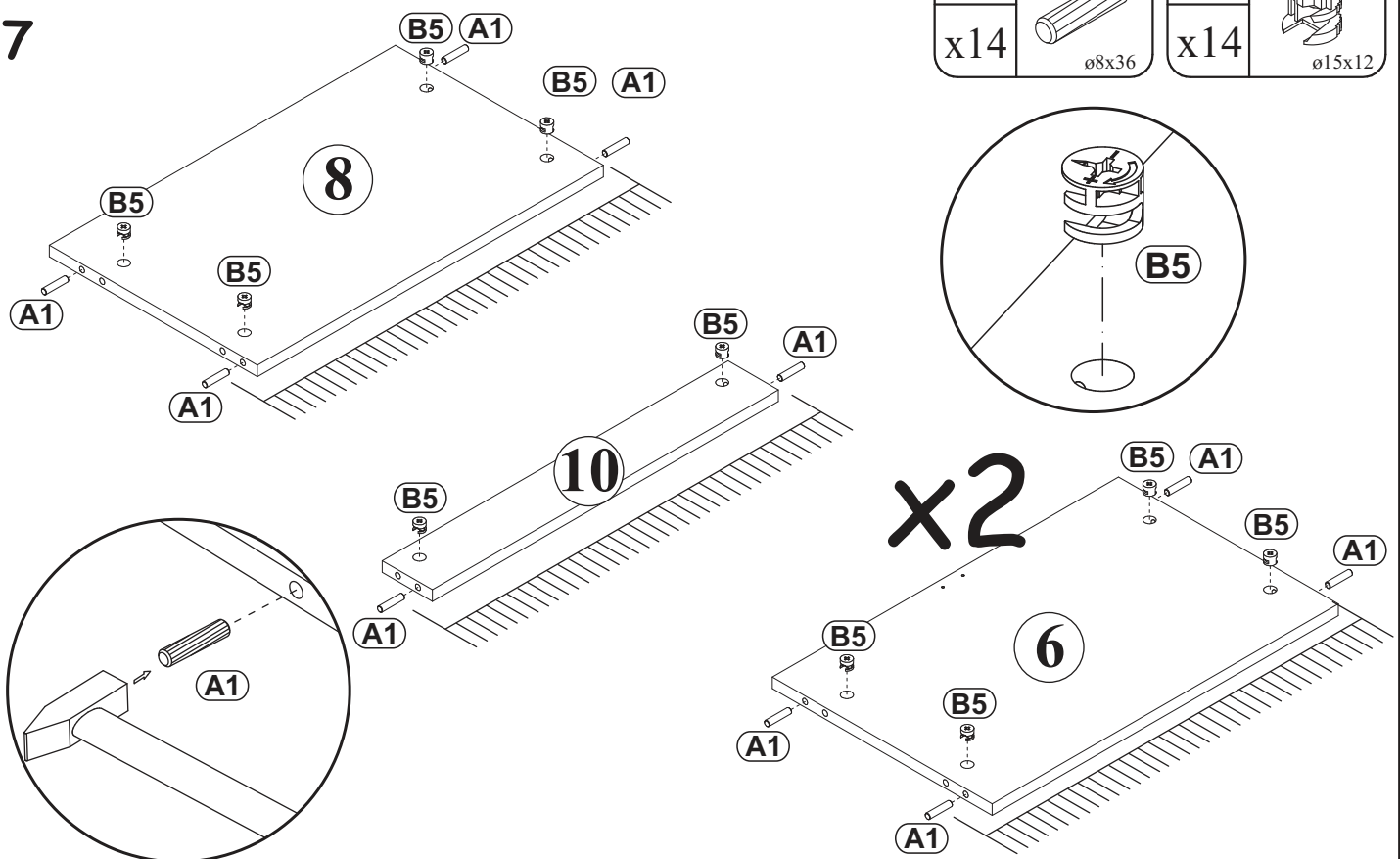
6

A1		B5		E28	
x4	ø8x36	x4	ø15x12	x2	H=2

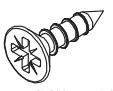

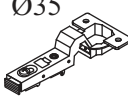


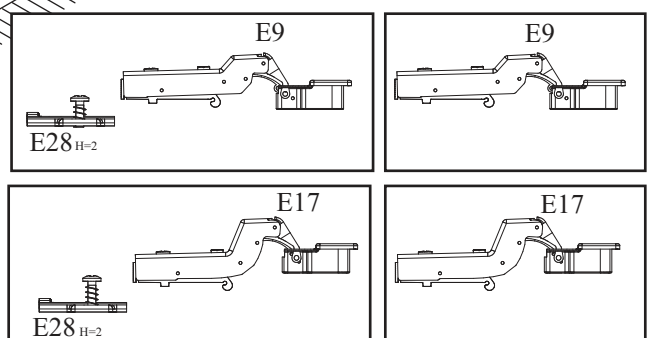
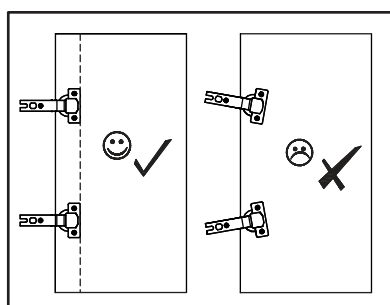
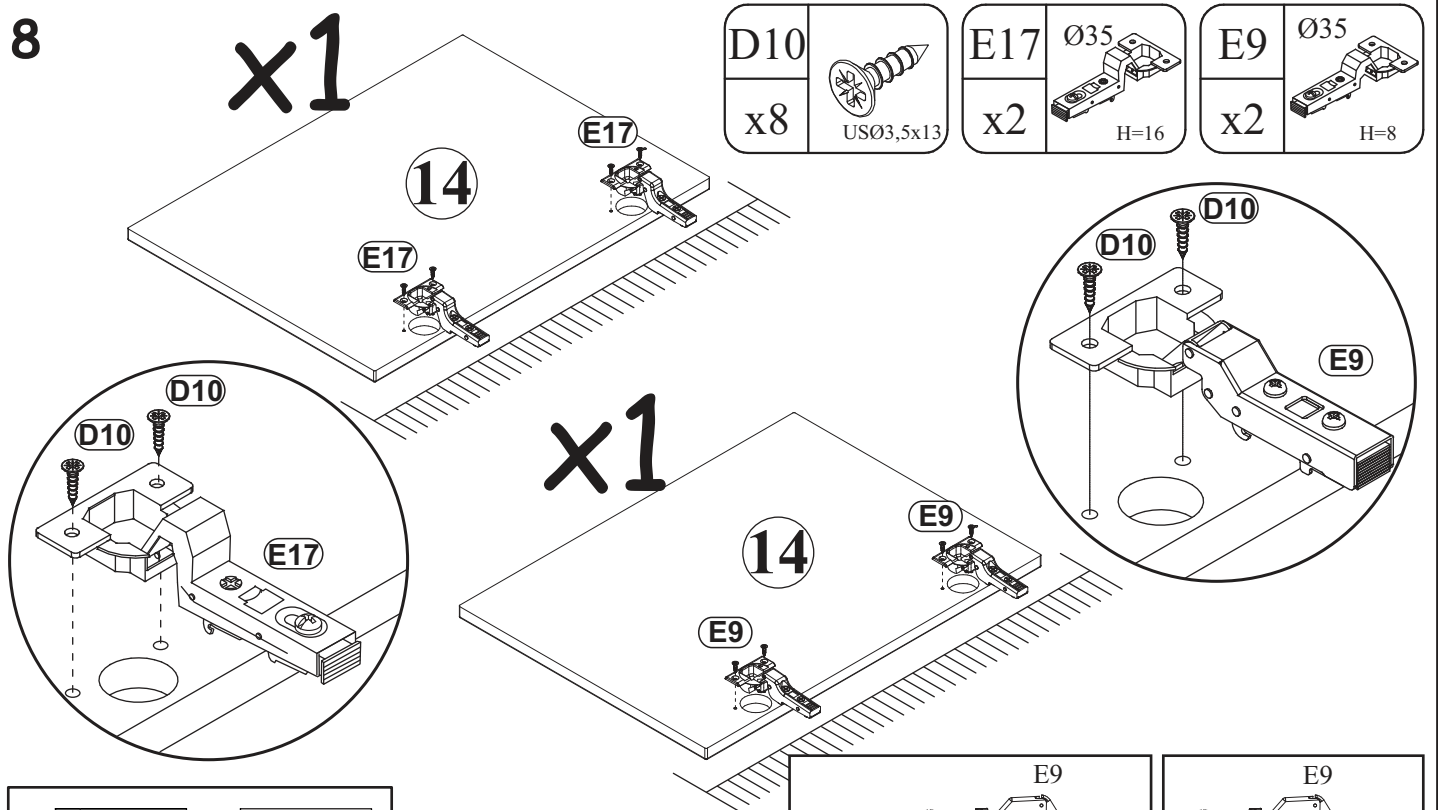
7

A1		B5	
x14	ø8x36	x14	ø15x12

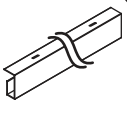
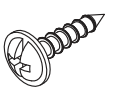
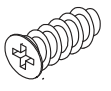
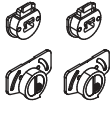


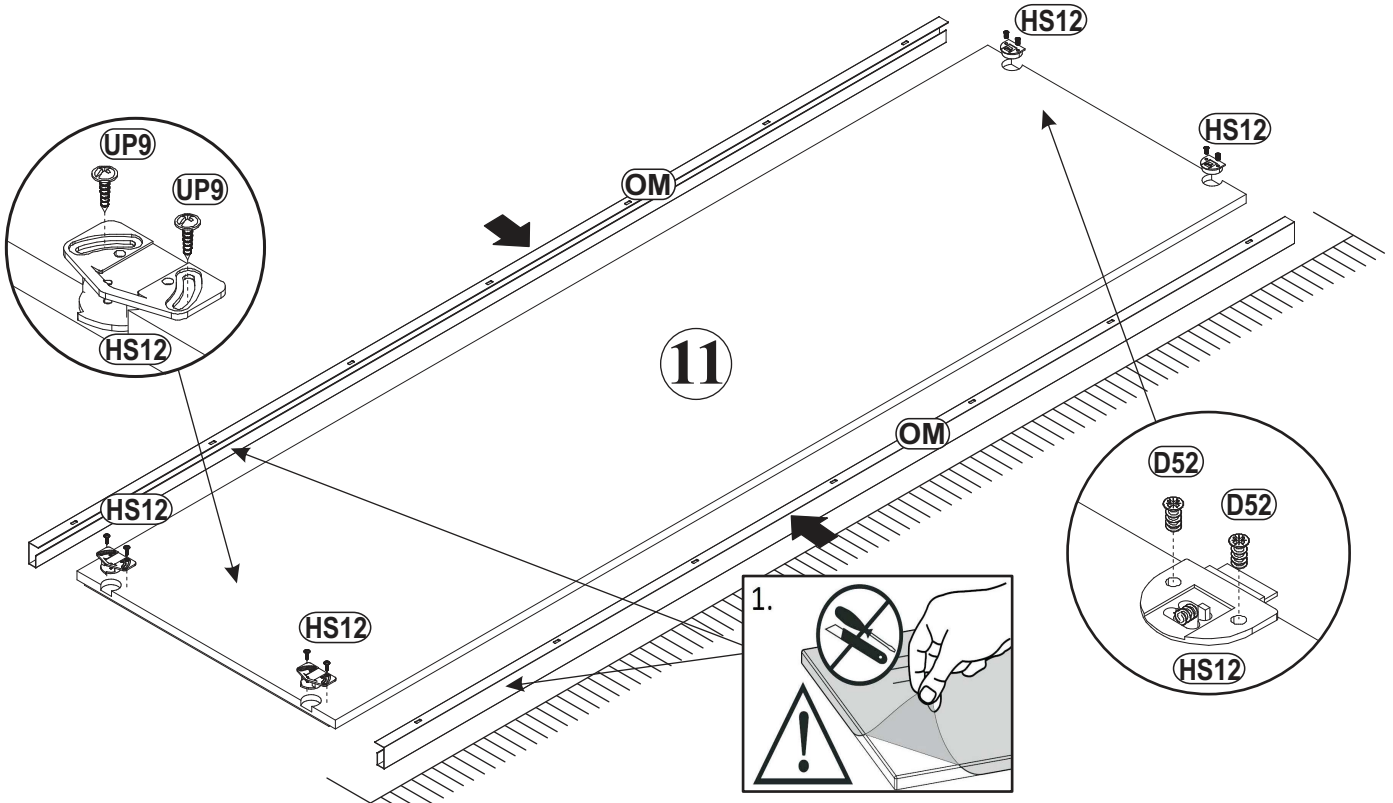
8

D10		E17		E9	
x8	USØ3,5x13	x2	Ø35 H=16	x2	Ø35 H=8

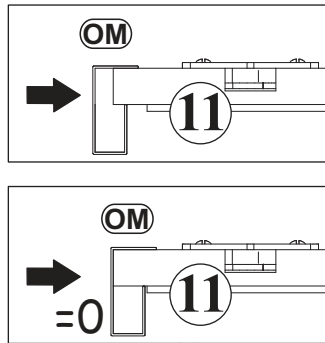


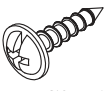
9

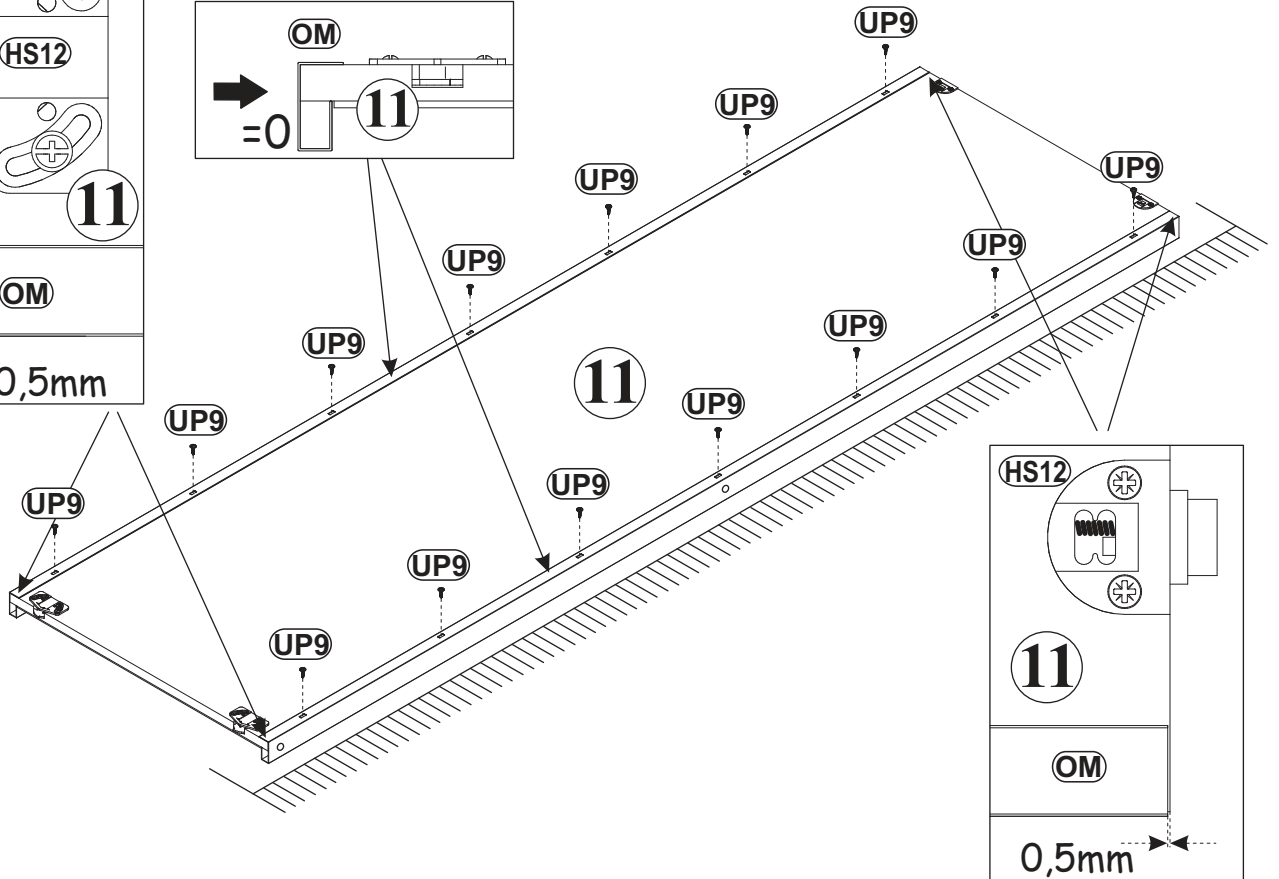
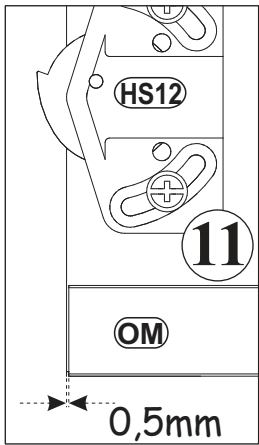
OM		UP9		D52		HS12	
x2	L-1892mm.	x4	UPØ3,5x16	x4	ESØ5X9	x1	



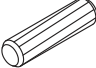
10




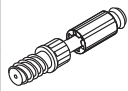
UP9	
x14	UPØ3,5x16

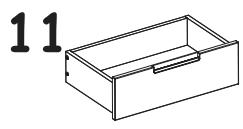


SINGLE TWO 30G499

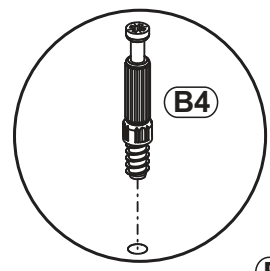
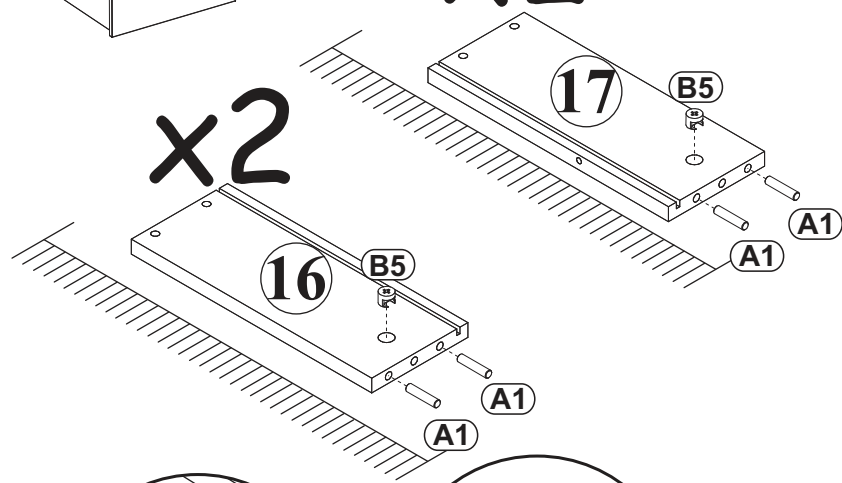
A1	
x8	ø8x36

B5	
x4	ø15x12

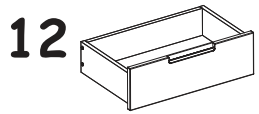
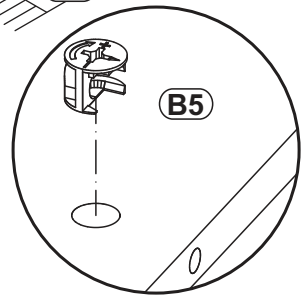
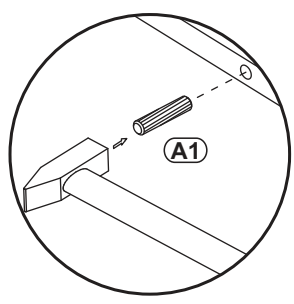
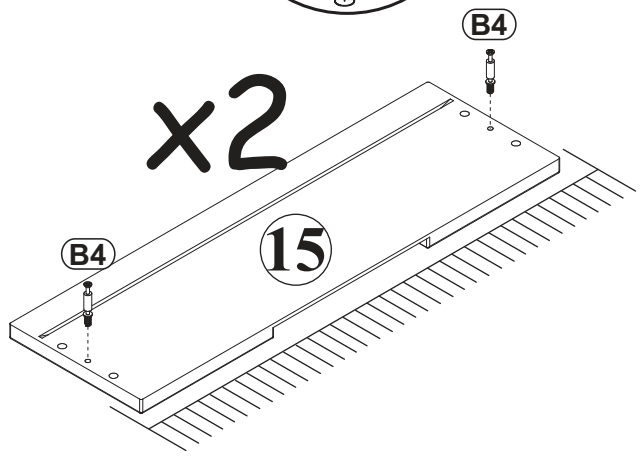
B4	
x4	





x2



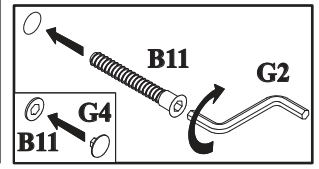
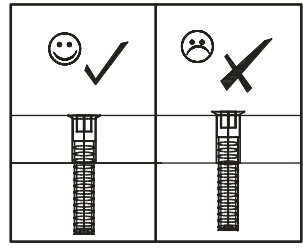
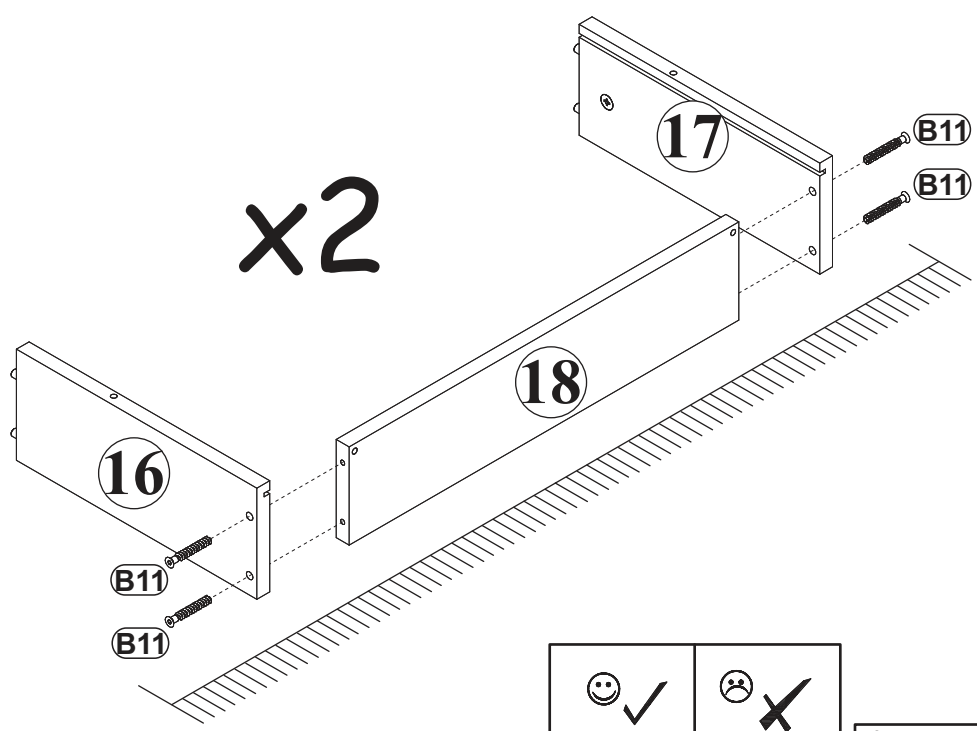
x2




G4	
x8	

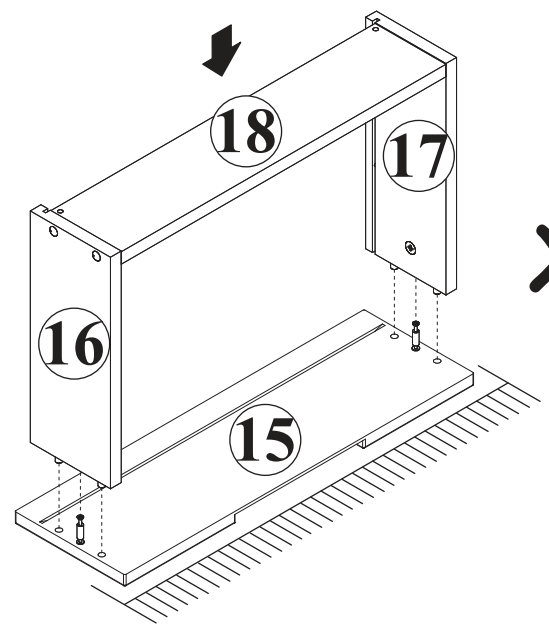
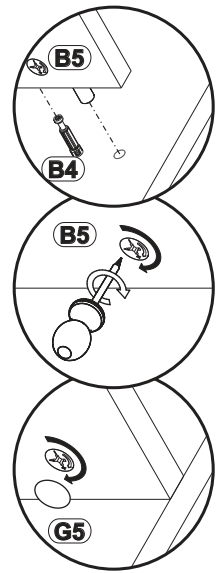
B11	
x8	Ø7x50

x2

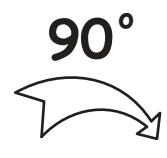


G5	
x4	

13

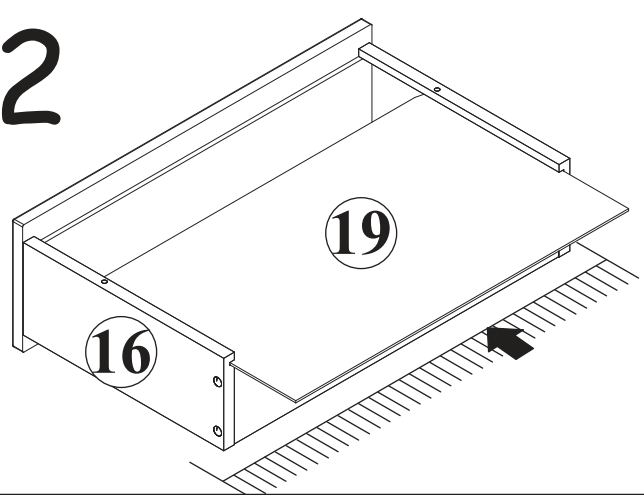


x2



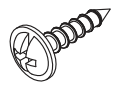
14

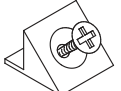
x2

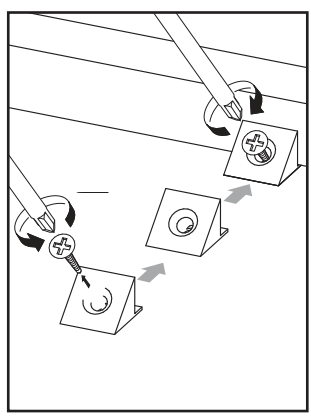
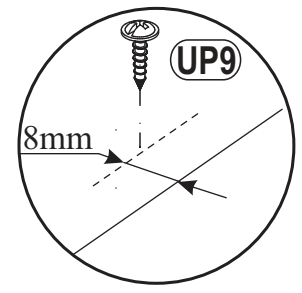
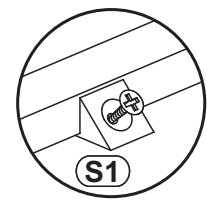
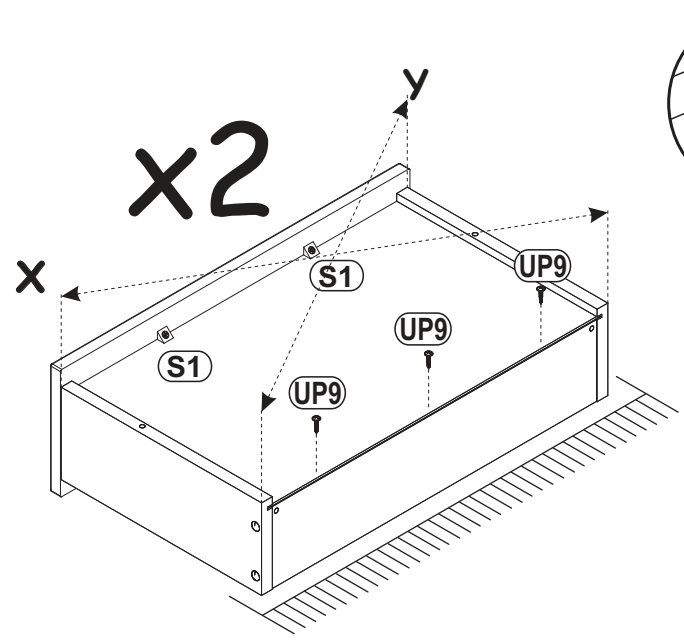


15

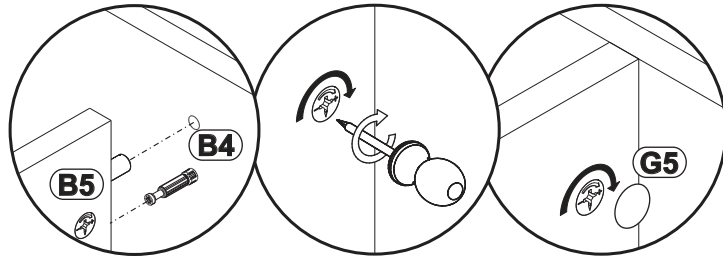



UP9	
x6	UPØ3,5x16

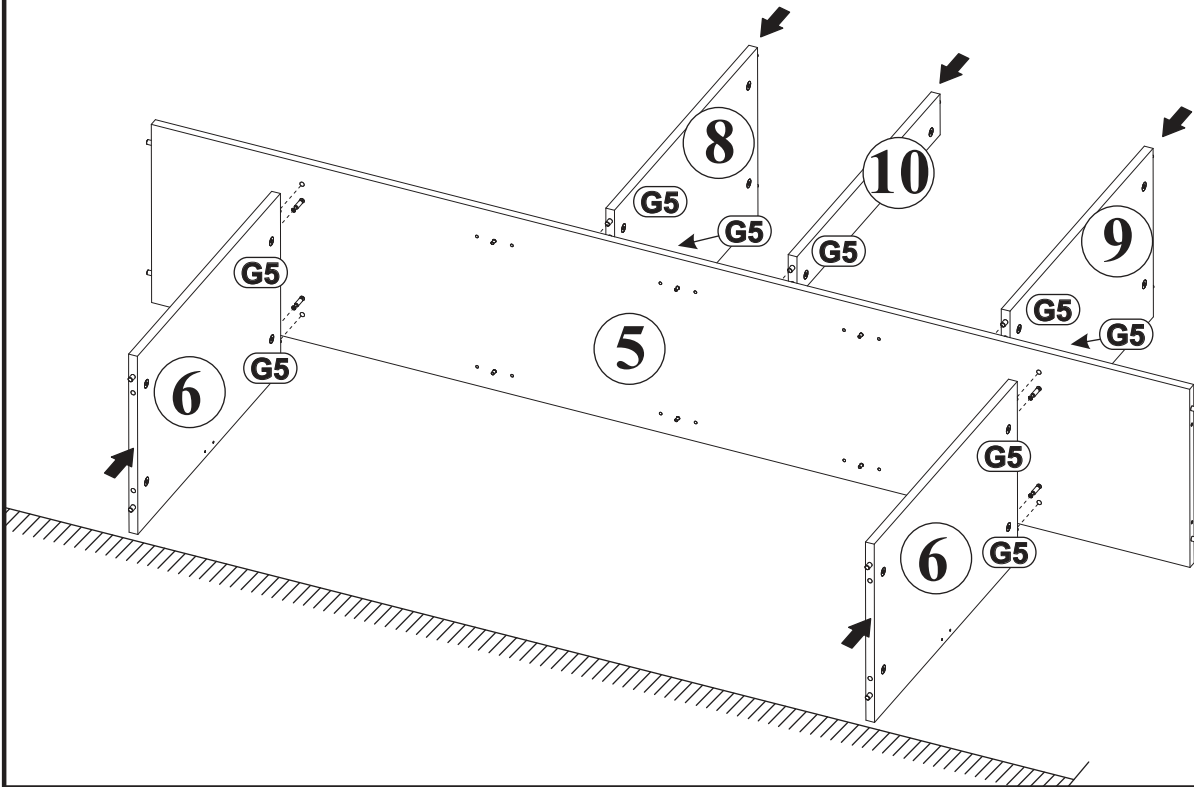
S1	
x4	




16

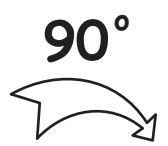
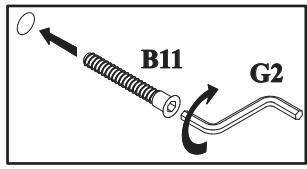
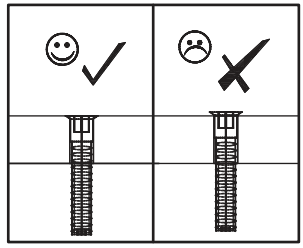
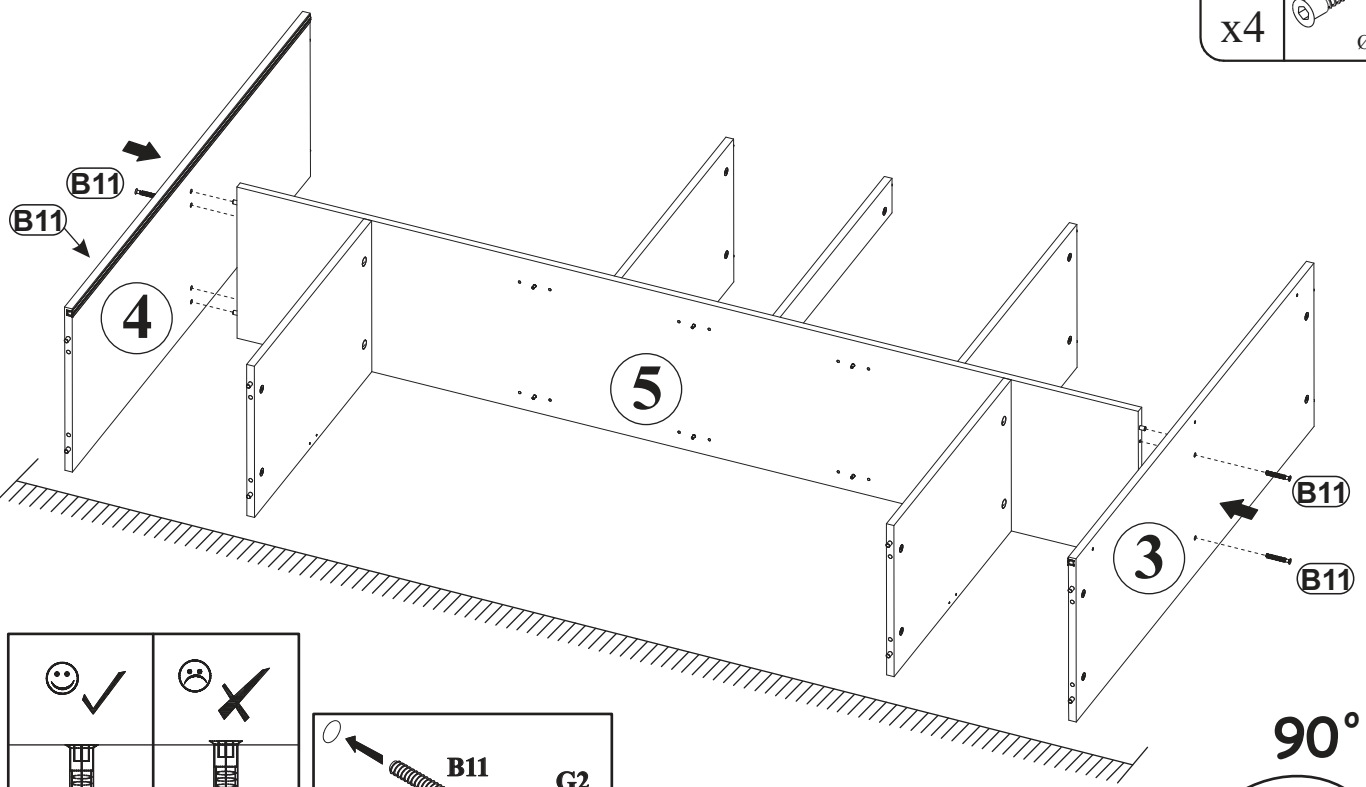



G5	
x9	



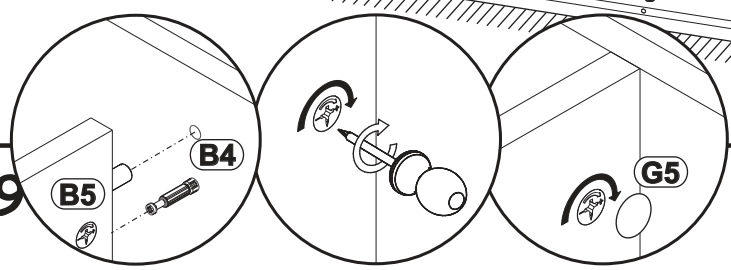
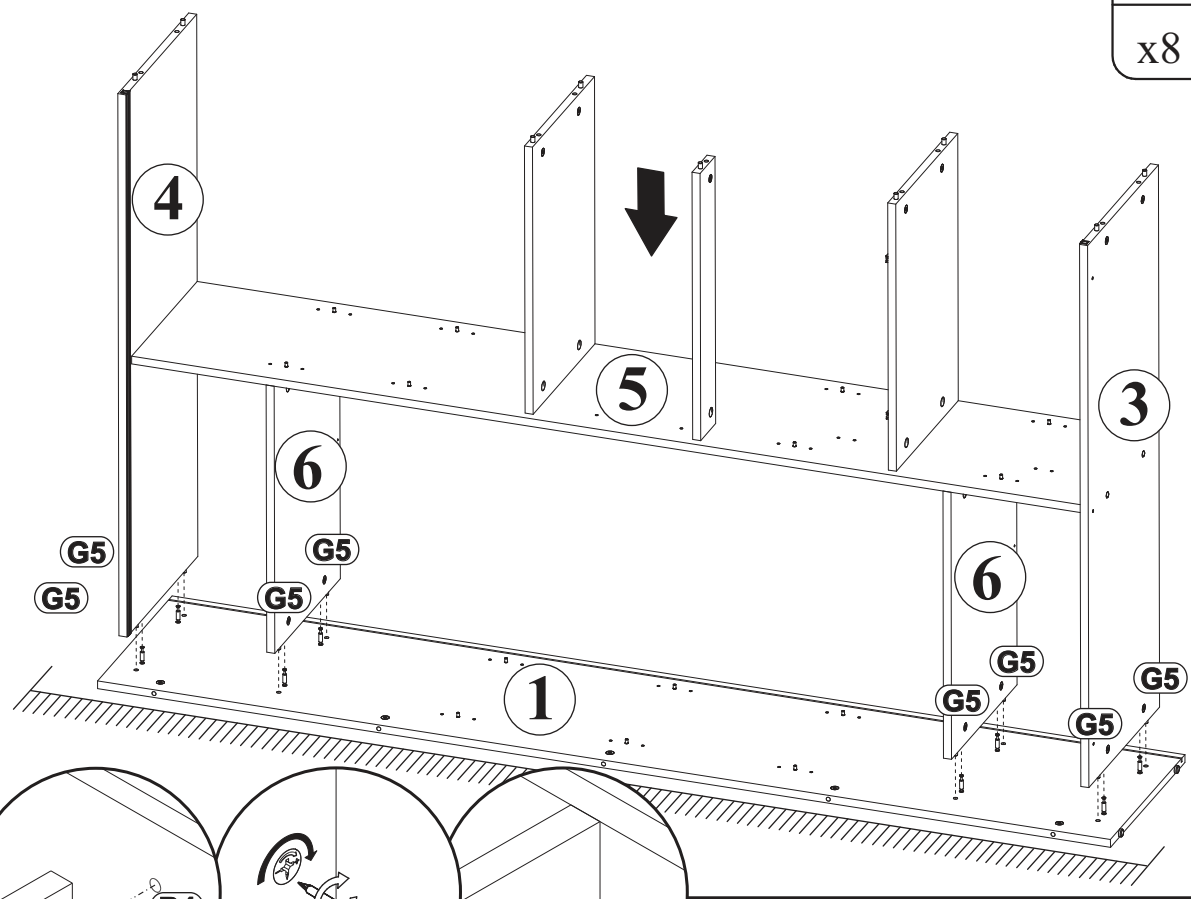
17

B11	
x4	Ø7x50

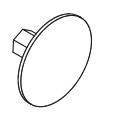


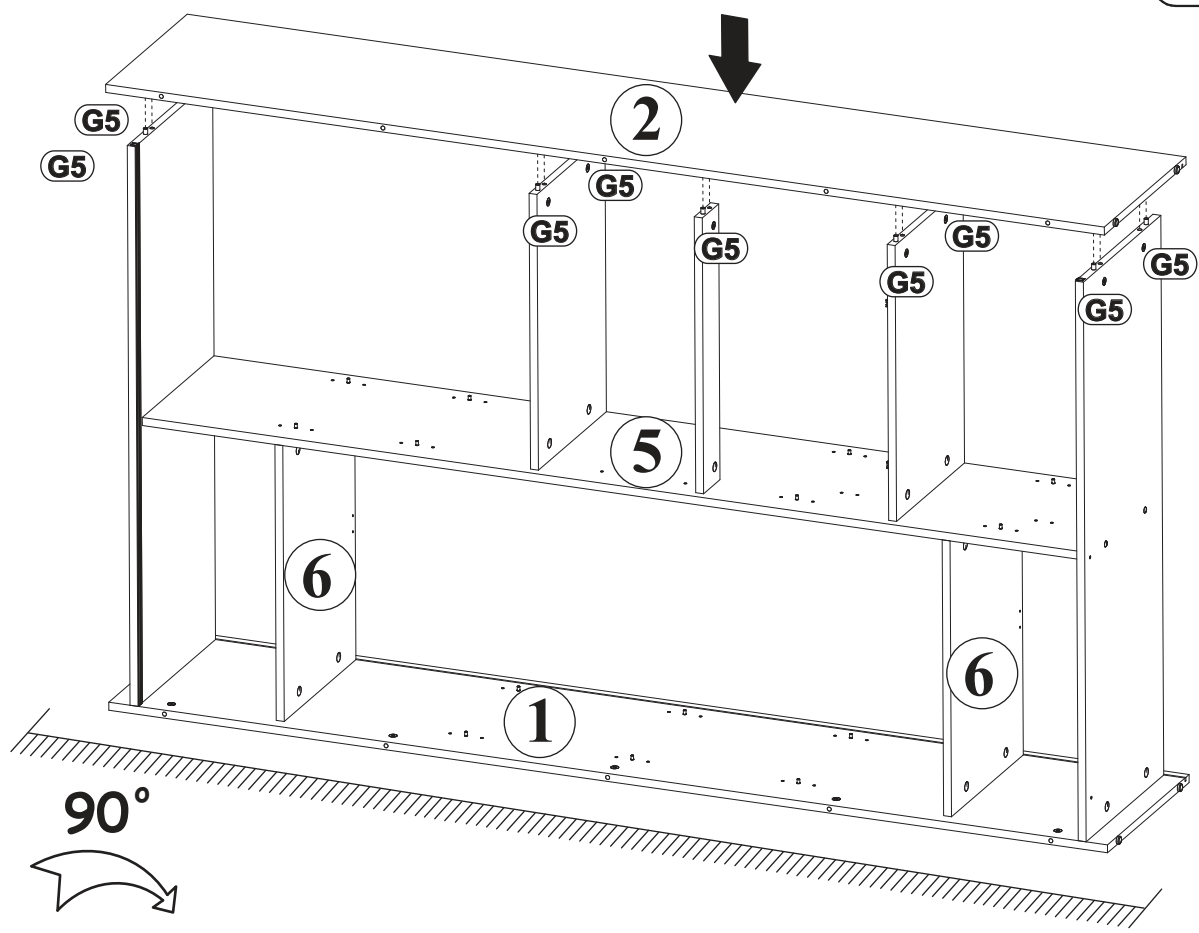
G5	
x8	

18



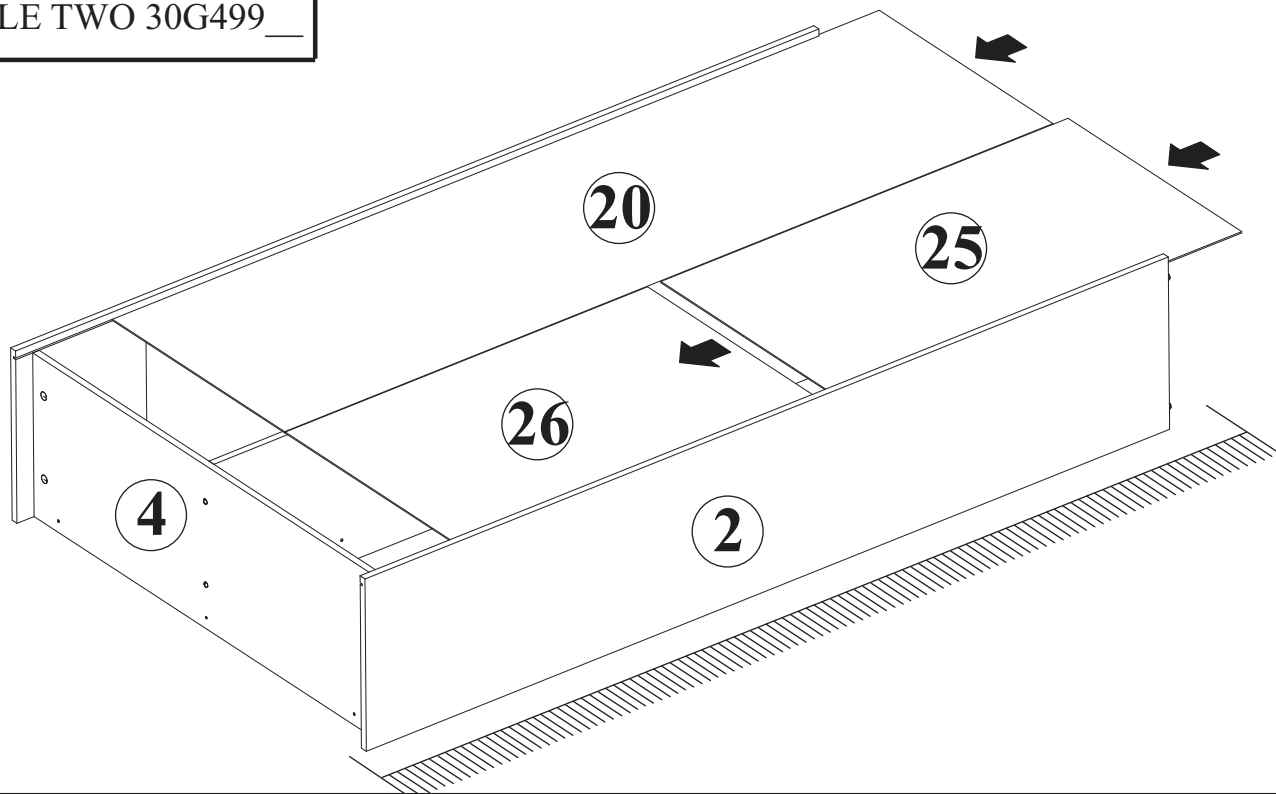
19

G5	
x9	

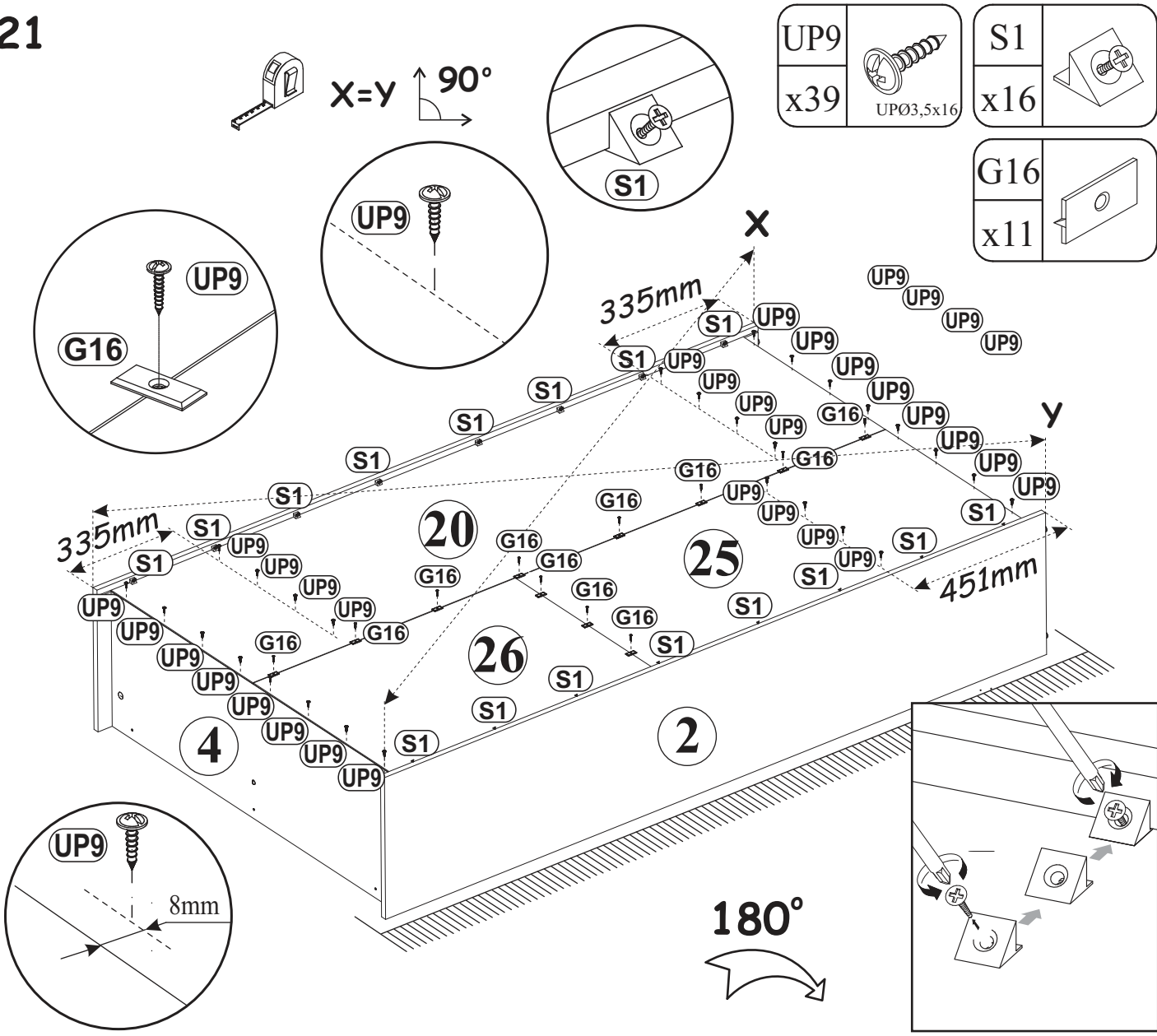


90°

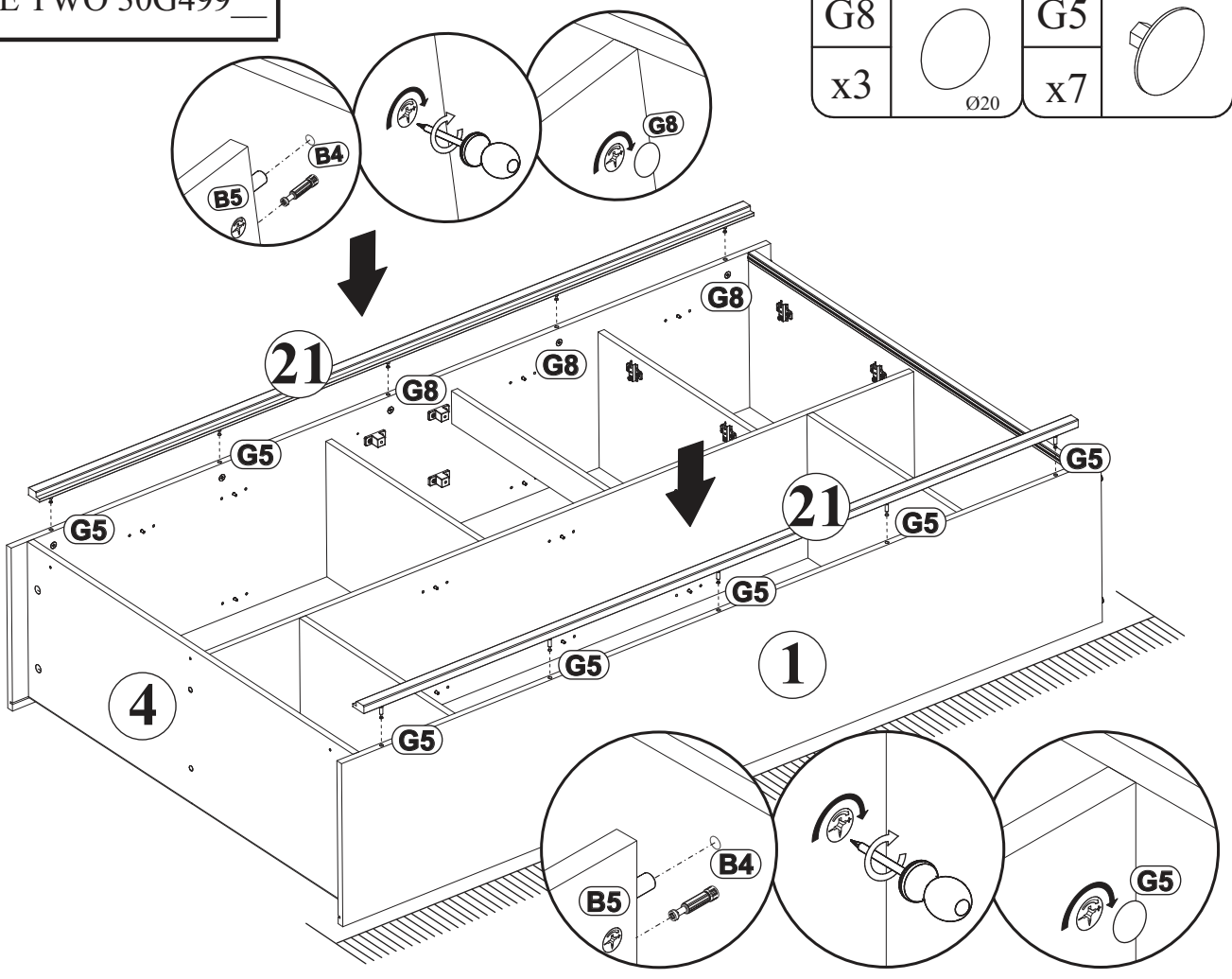
20



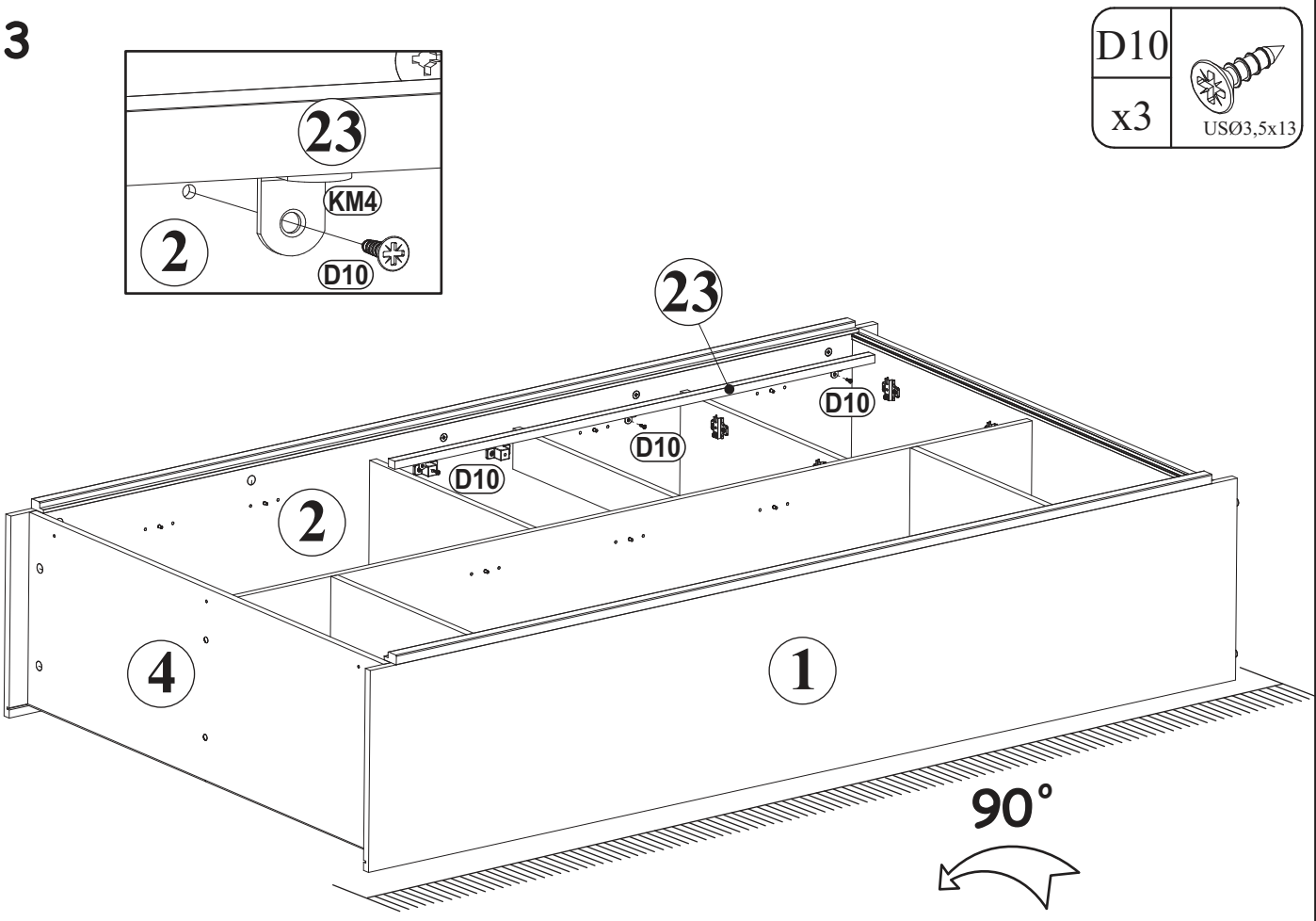
21



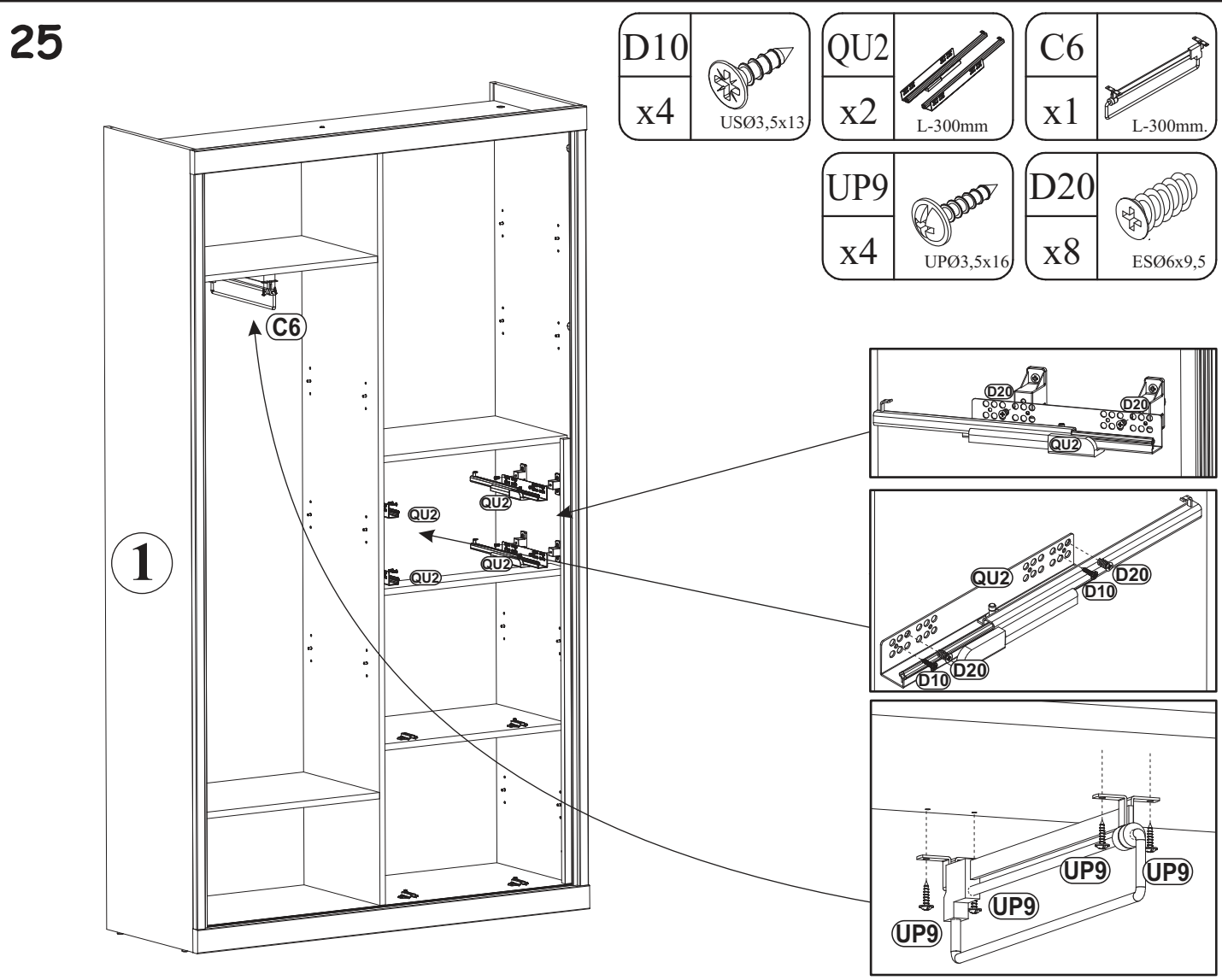
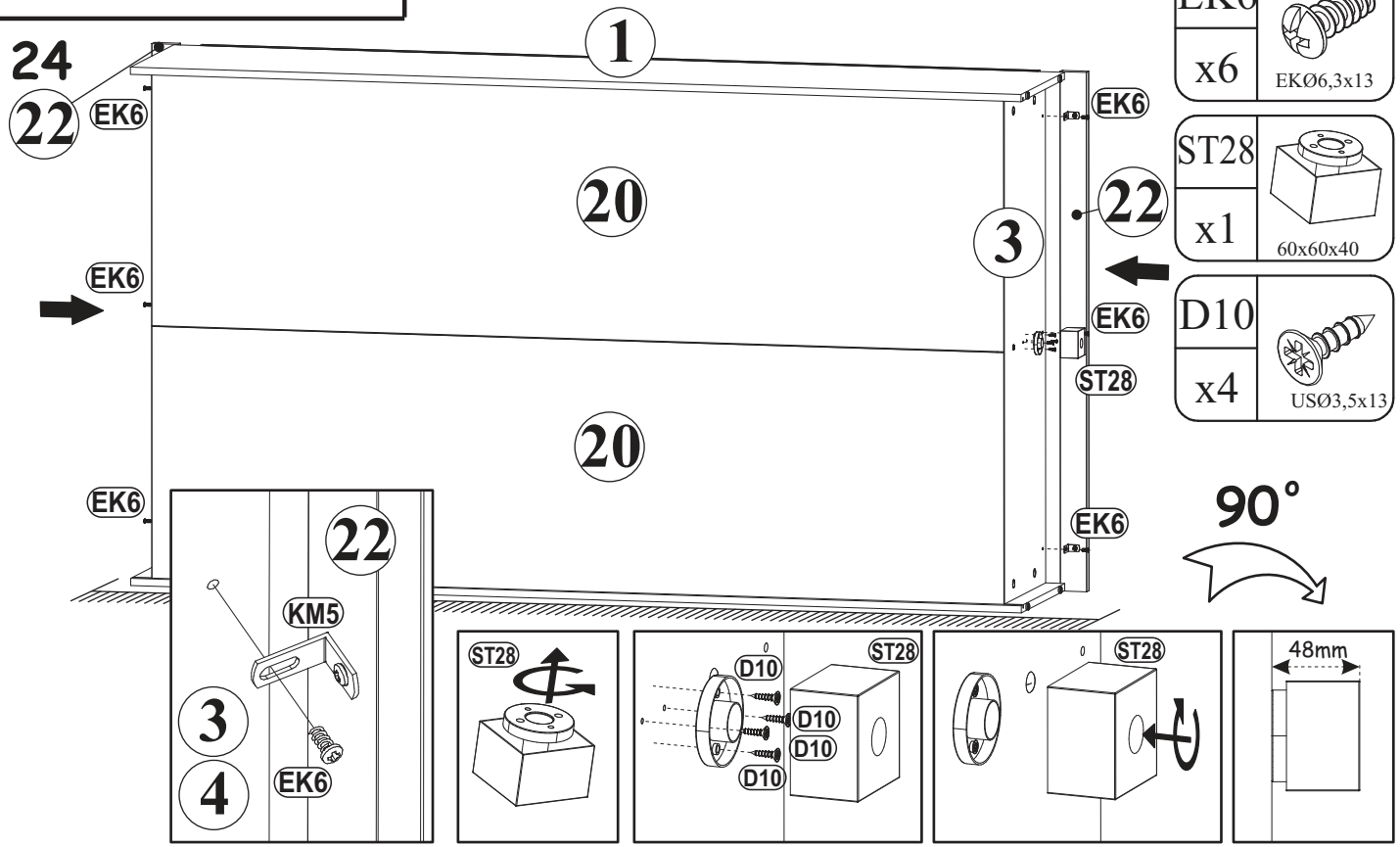
22



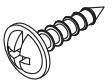
23

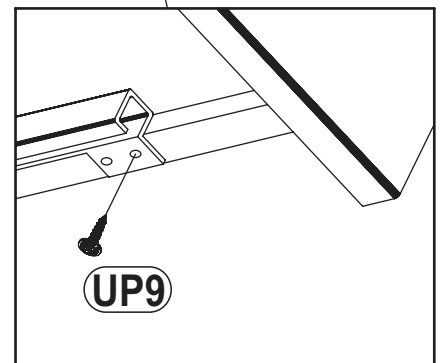
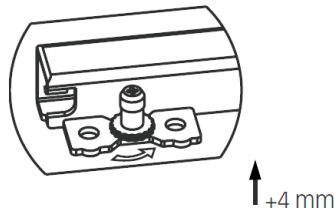
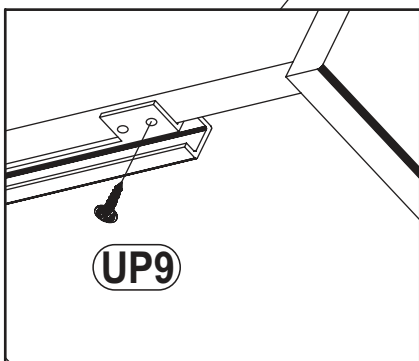
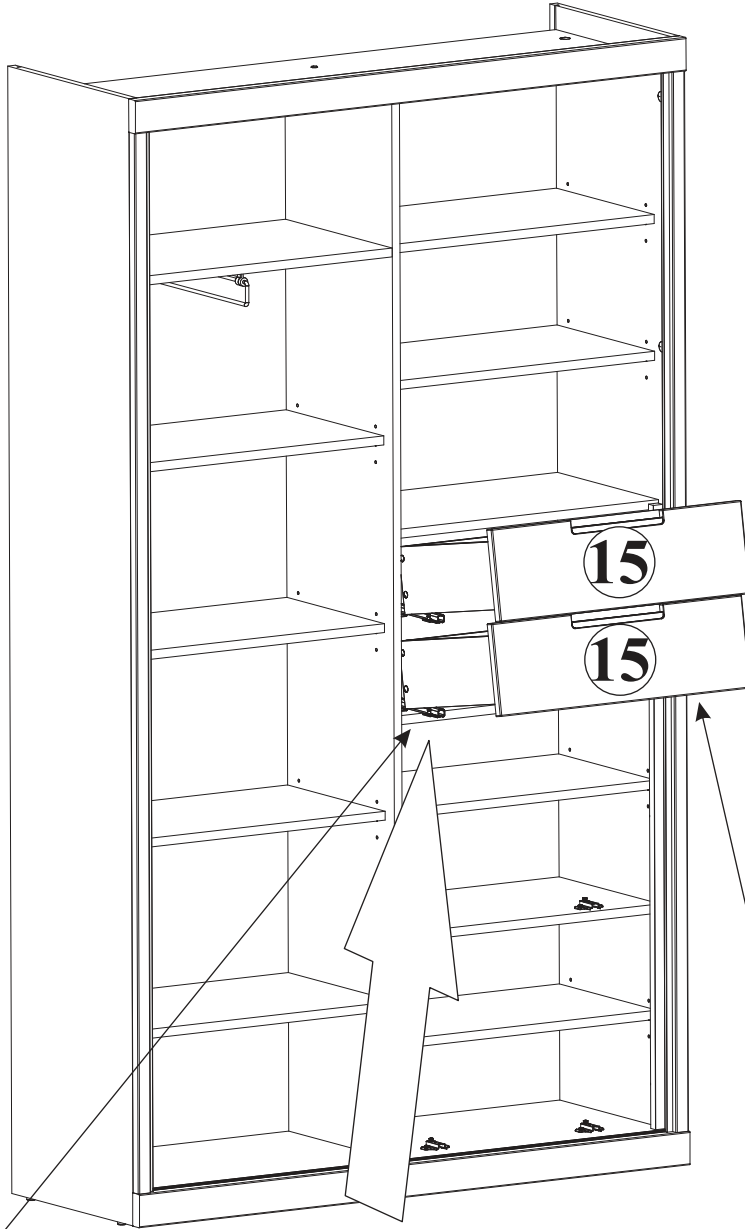
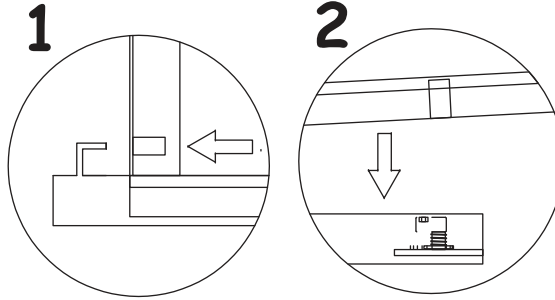


SINGLE TWO 30G499

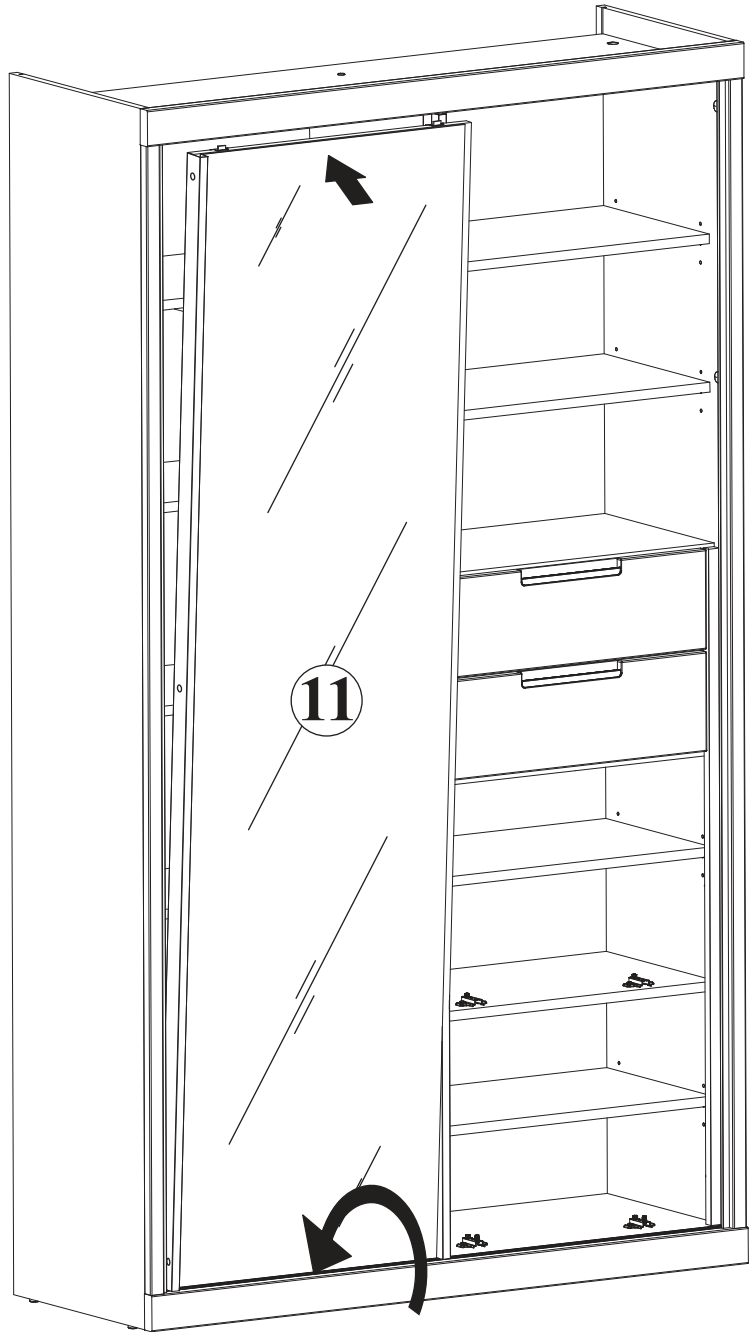
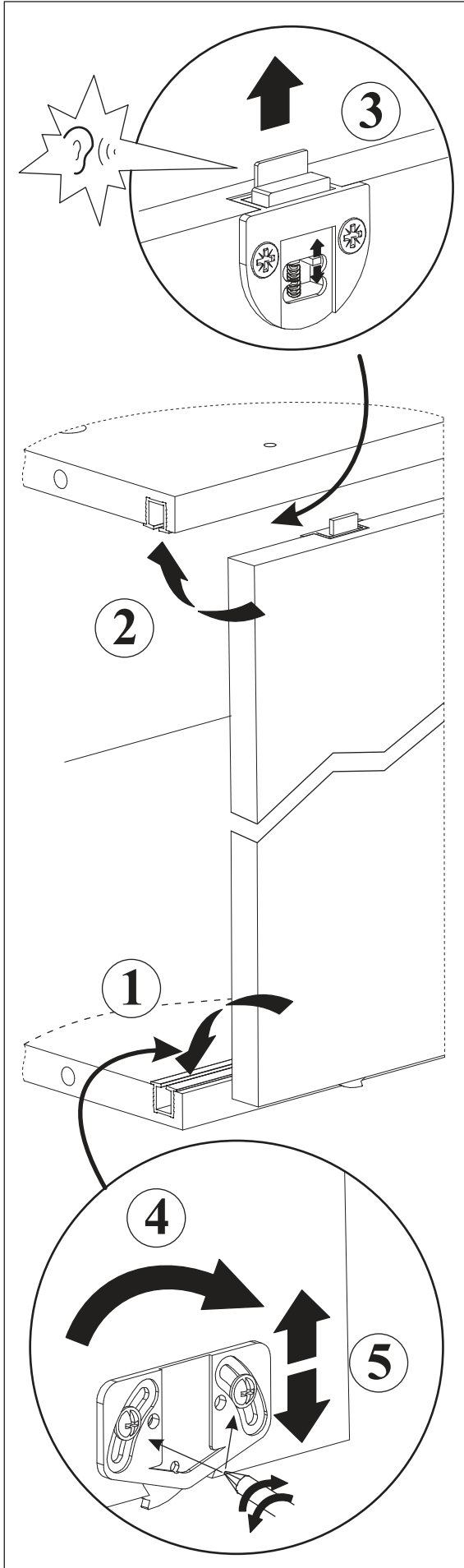


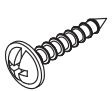
27

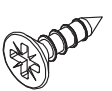
UP9	 UPØ3,5x16
x4	




28



UP9	
x6	UPØ3,5x16

D10	
x4	USØ3,5x13

G21	
x2	

