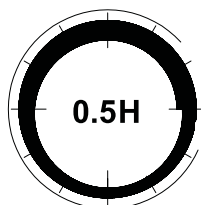
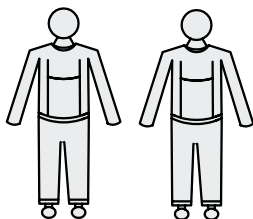
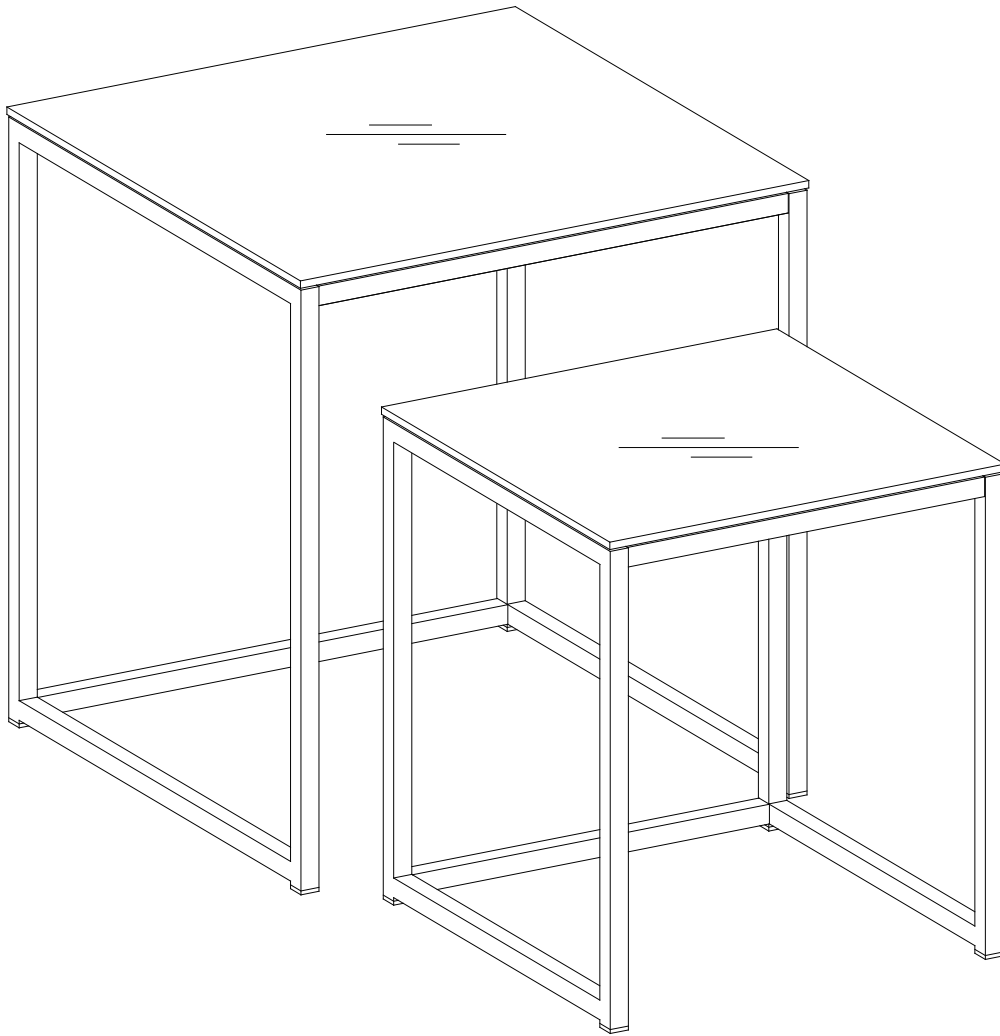
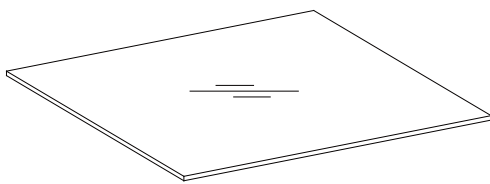
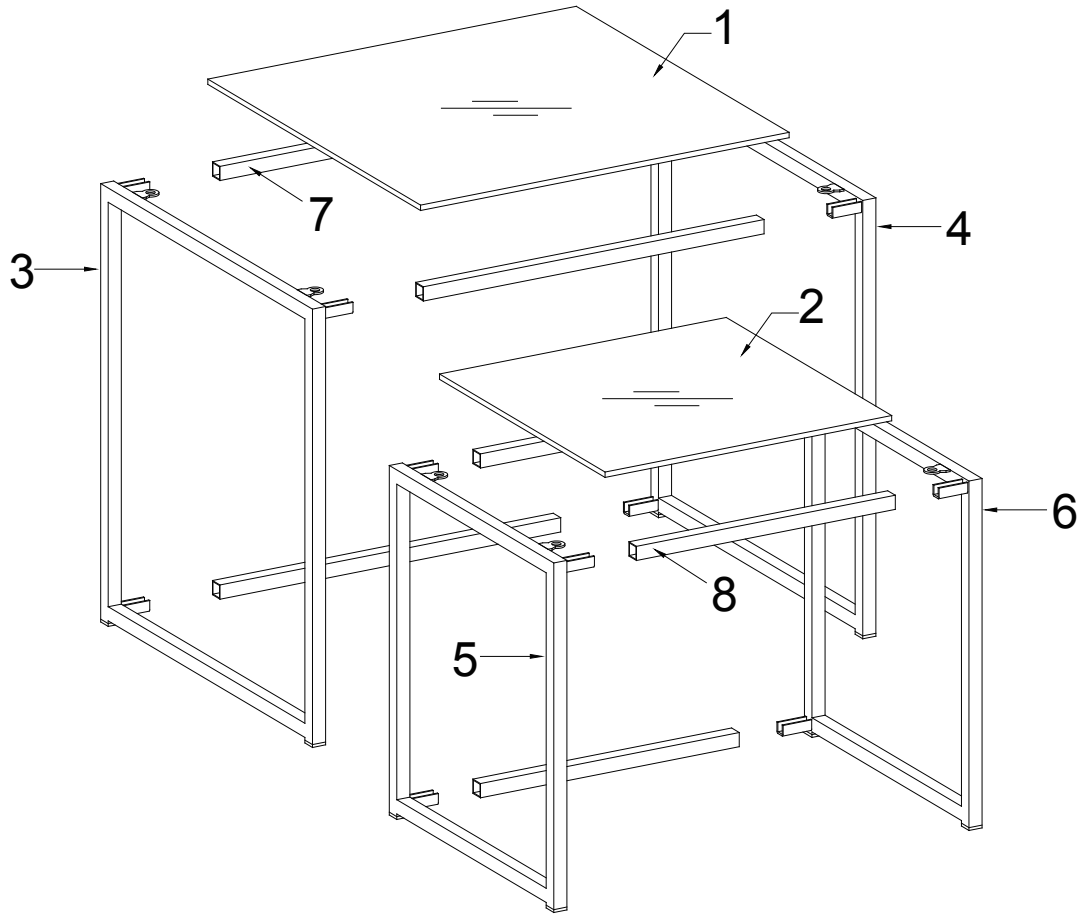


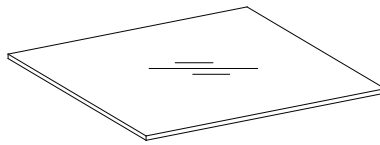
---

# Alisma

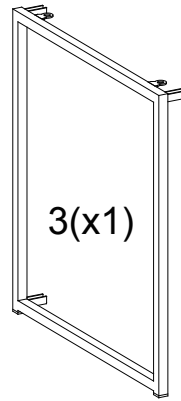




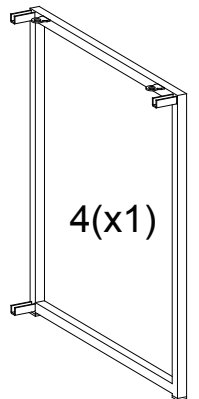
1(x1)



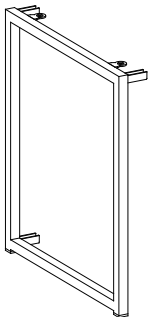
2(x1)



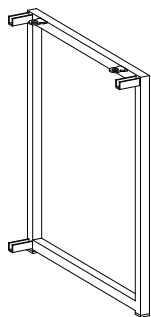
3(x1)



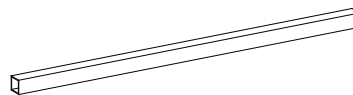
4(x1)



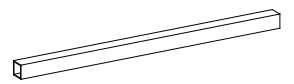
5(x1)



6(x1)



7(x3)



8(x3)

M6x10  
A x24



Ø30  
Bx8



4MM  
Cx1



