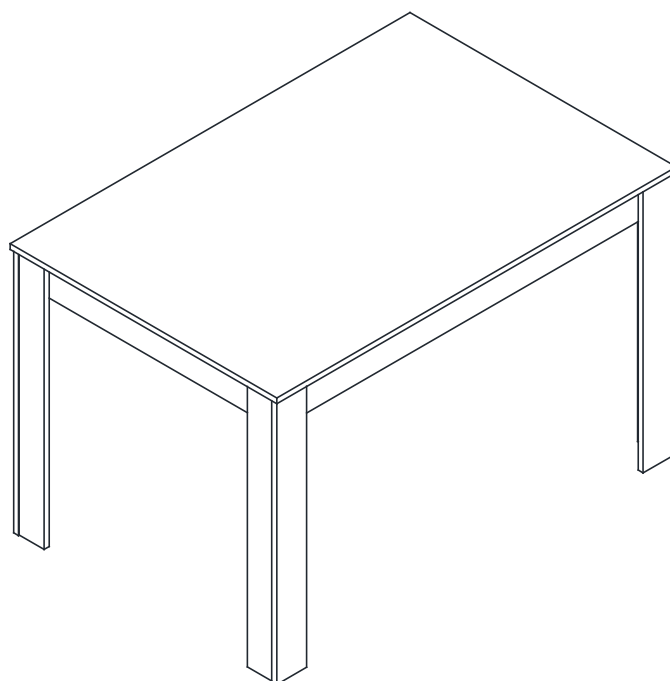
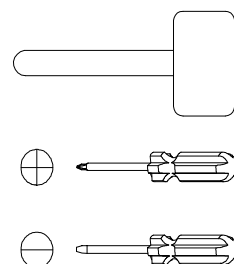
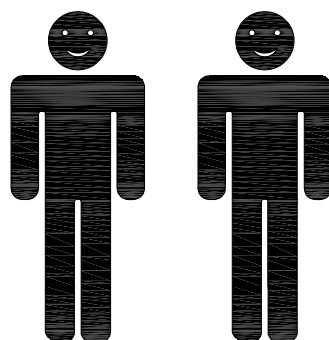


59031192  
59031194  
59031305



- |   |                                     |
|---|-------------------------------------|
| <b>(D)</b> Montageanleitung             | <b>(GB)</b> Assembly instructions   |
| <b>(FR)</b> Notice de montage           | <b>(IT)</b> Istruzioni di montaggio |
| <b>(NL)</b> Handleiding voor de montage | <b>(PL)</b> Instrukcja montażu      |
| <b>(CZ)</b> Montážní návod              | <b>(SK)</b> Návod na montáž         |
| <b>(HU)</b> Szerelési útmutató          | <b>(RO)</b> Instrucțiuni de montaj  |
| <b>(TR)</b> Montaj talimatı             | <b>(RU)</b> инструкция по монтажу   |

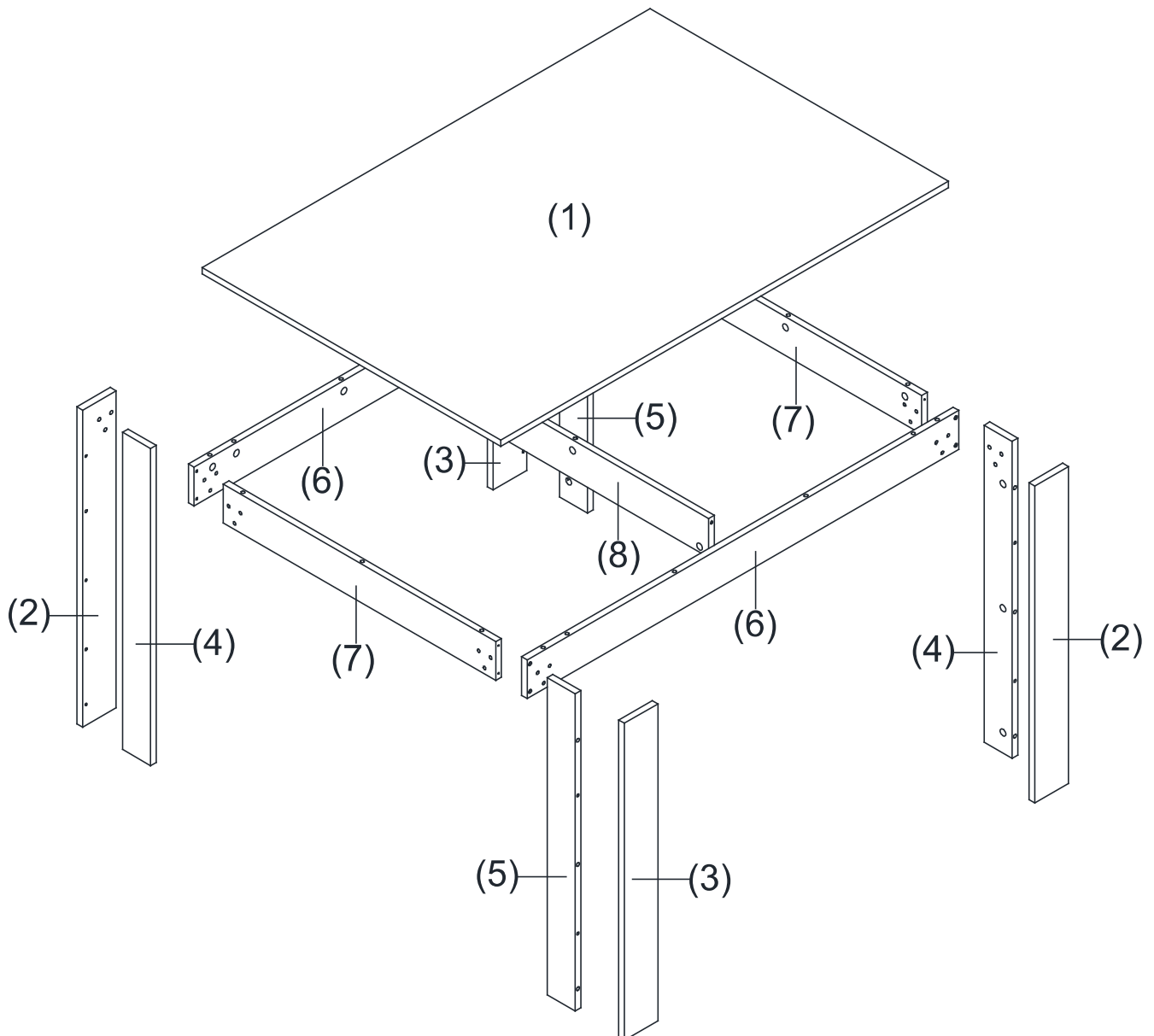
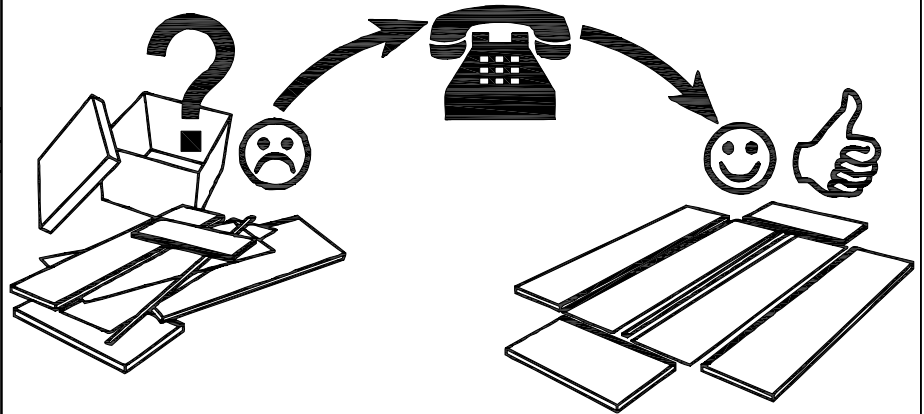
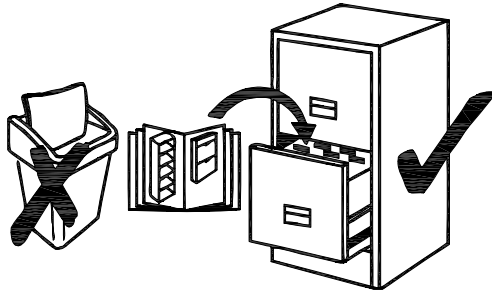



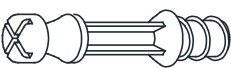


**Service • Assistenza • Dienstverlening • Serwis  
 Servis • Szerviz • Сервисная служба**





Name • Nom • Nome • Naam •  
 Nazwa • Jméno • Názov • Név •  
 Denimire • Isim • Название

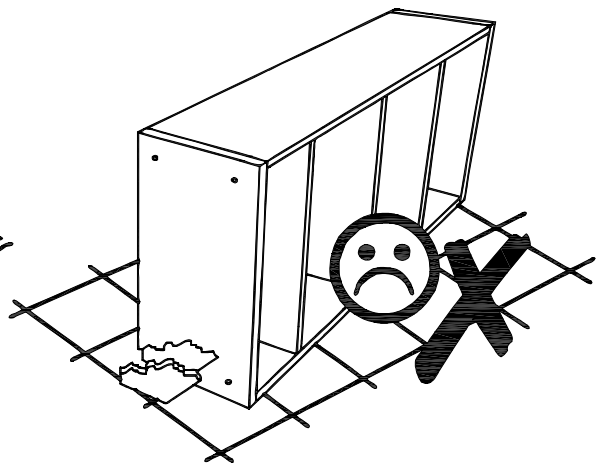
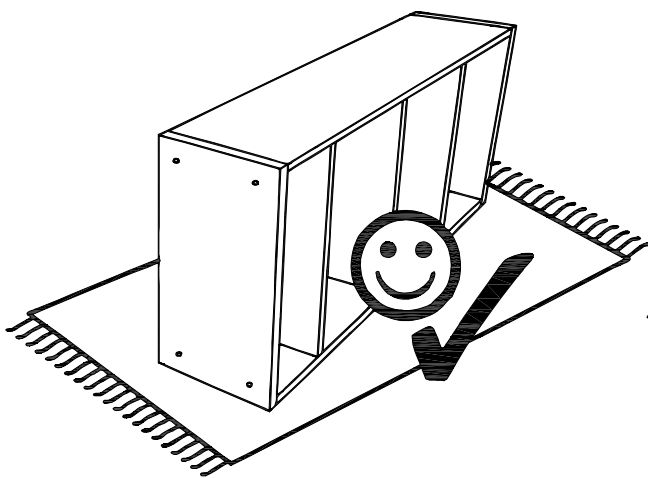
Nr. • No. • N° • Номер • Č • Sz

Typ • Type • Tip • Tipus • Tipo •  
 Тип

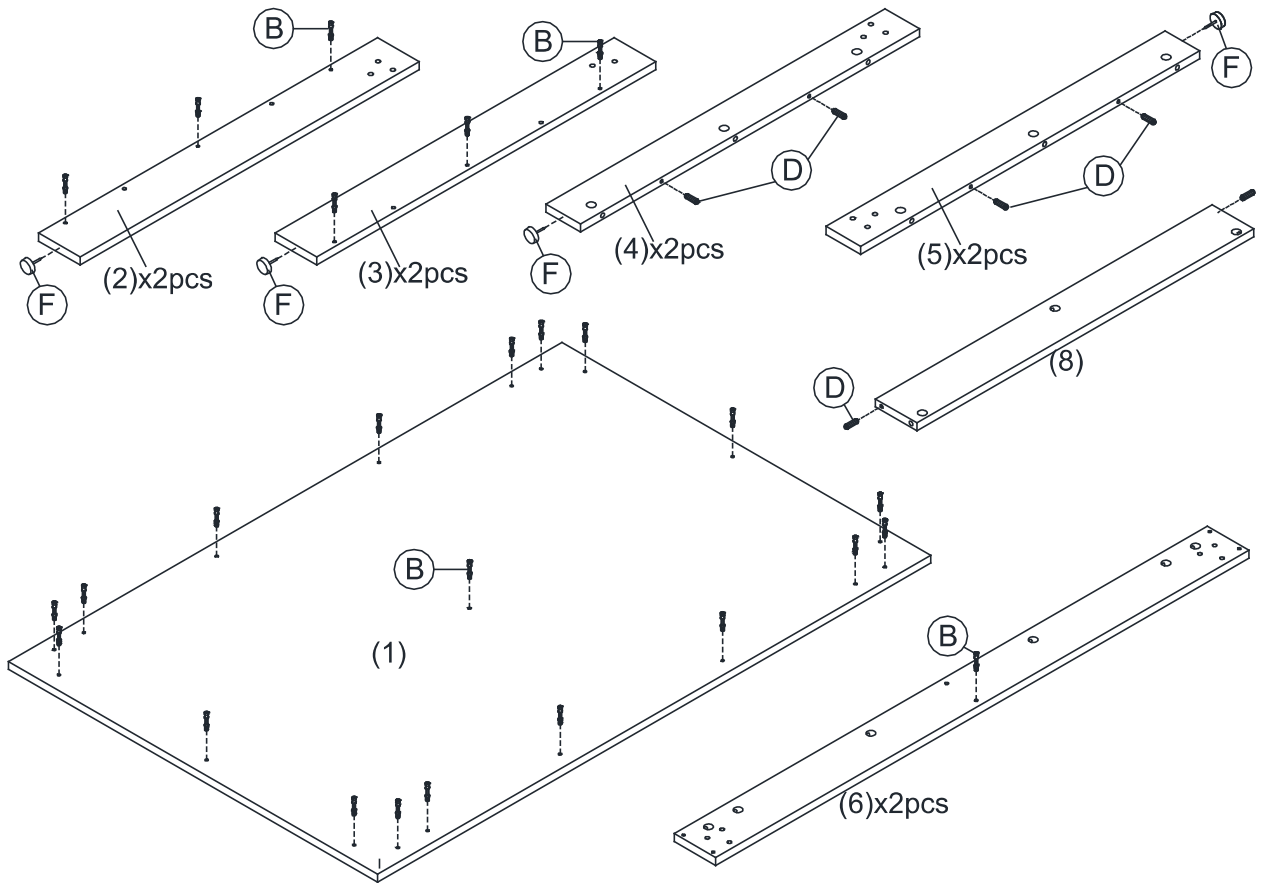


A	 M6 X 25mm	24
B		32
C		32
D	 Ø6 X 25mm	10

E		1
F		8
G		12
H	 M4 X 38mm	8



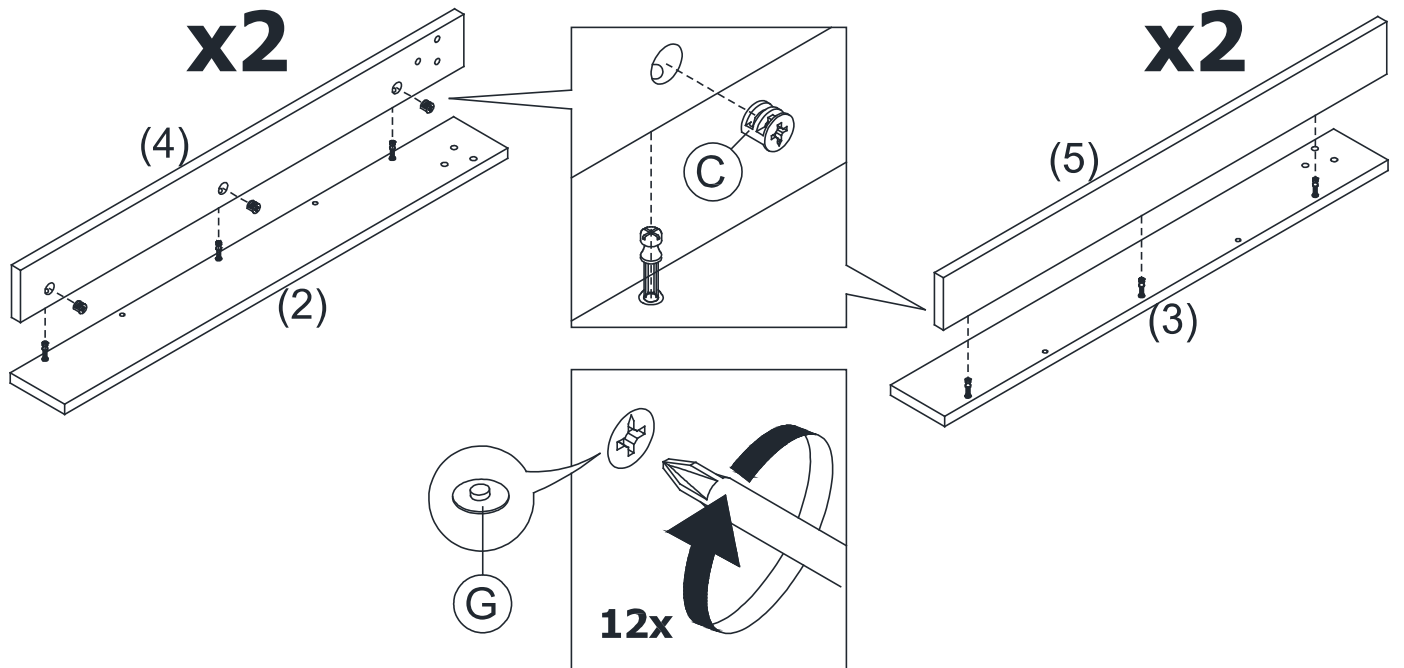
1



B X33  
D X10  
F X8

Fastener B: A long screw with a wide head and a threaded shaft.  
Fastener D: A shorter screw with a hexagonal head and a threaded shaft.  
Fastener F: A small screw with a wide, flat head and a threaded shaft.

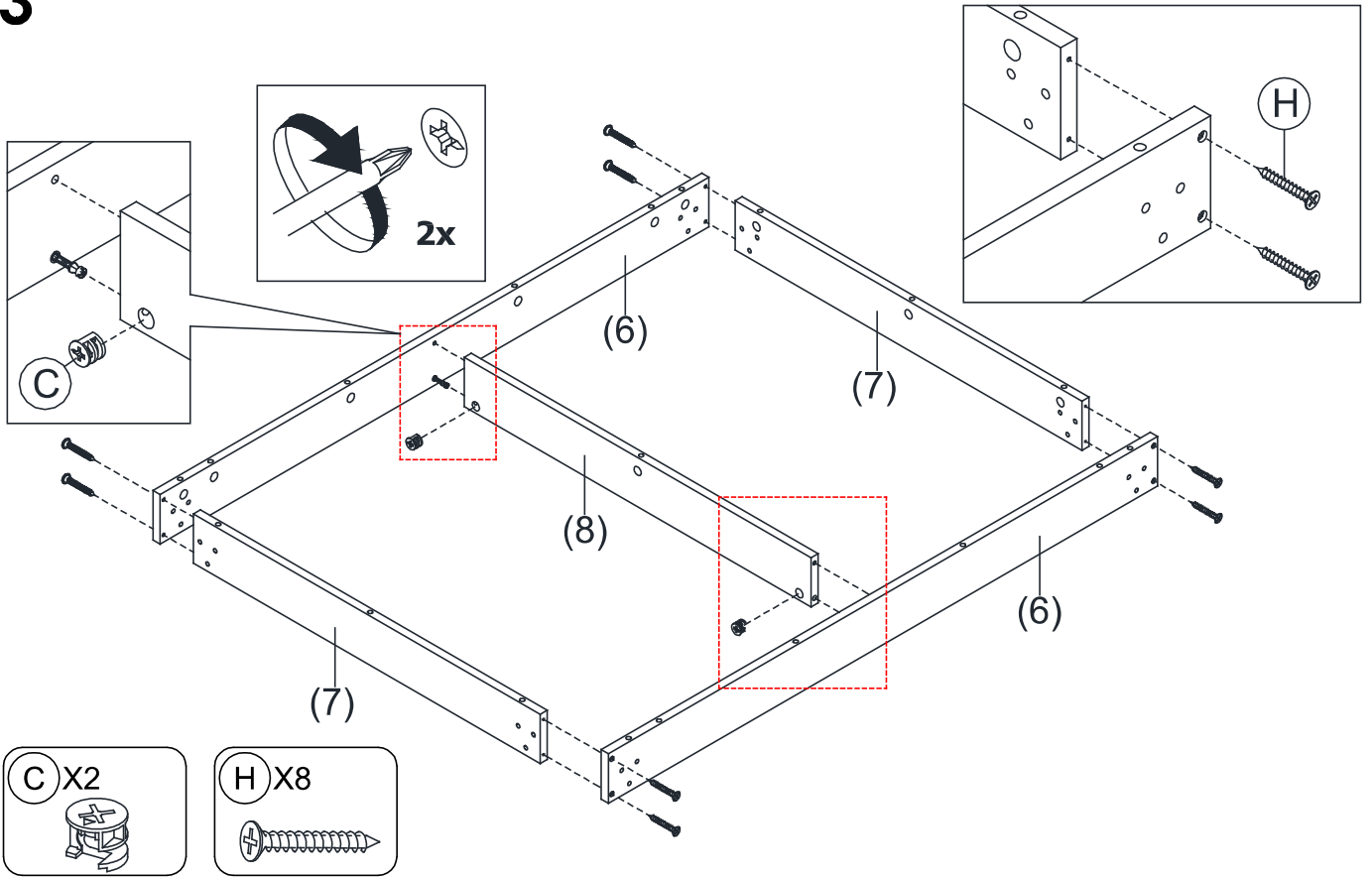
2



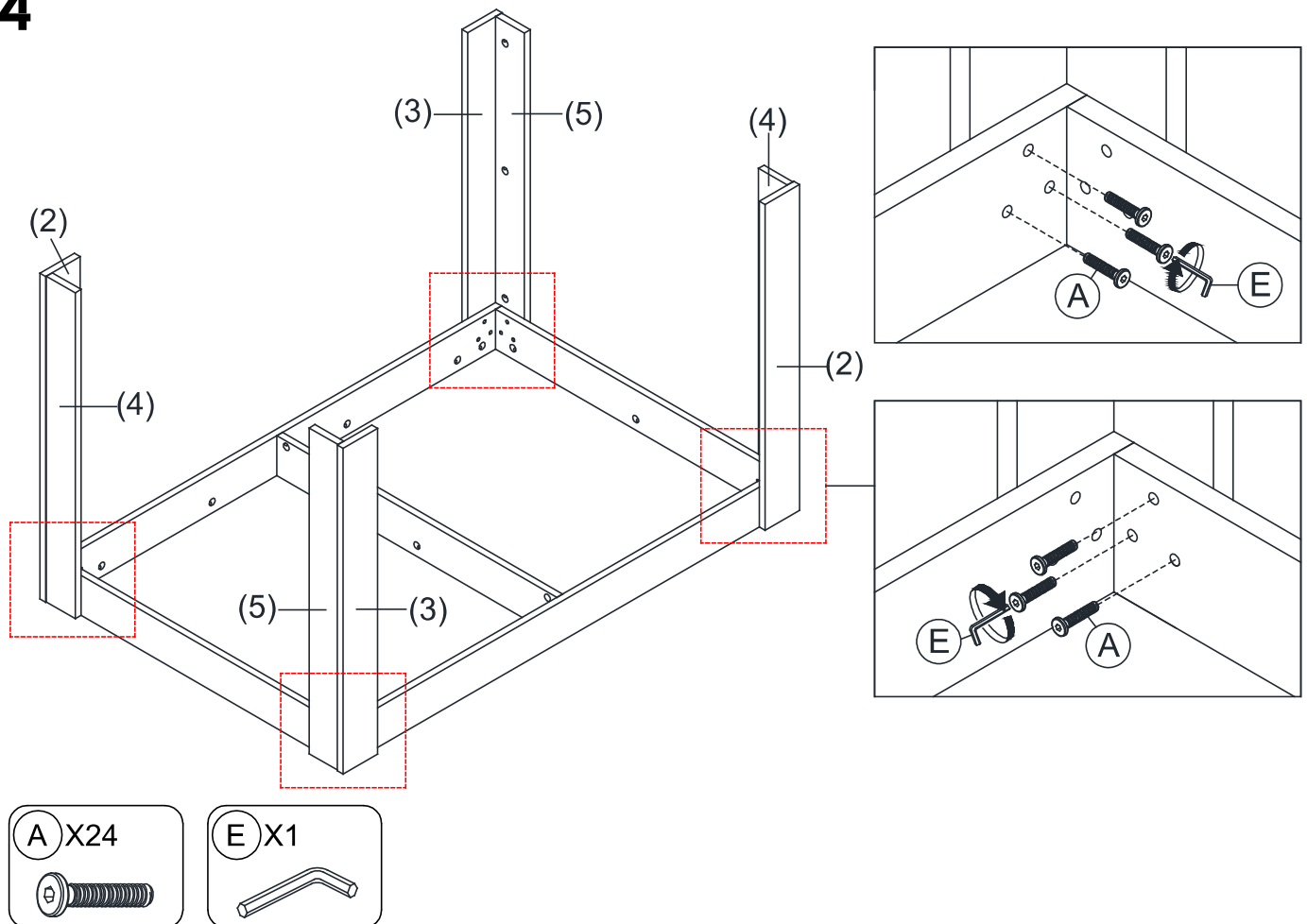
C X12  
G X12

Fastener C: A screw with a hexagonal head and a threaded shaft.  
Fastener G: A small screw with a wide, flat head and a threaded shaft.

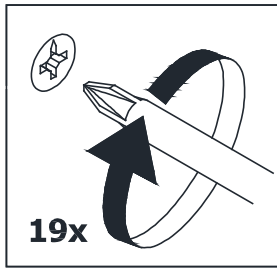
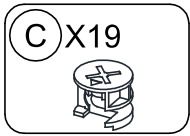
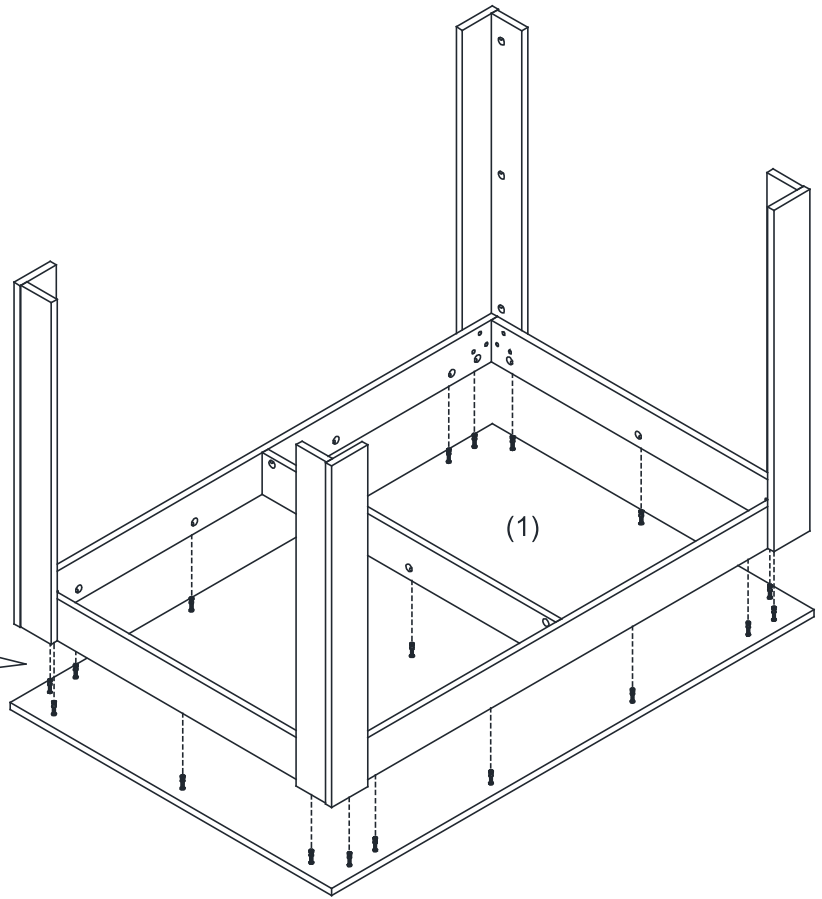
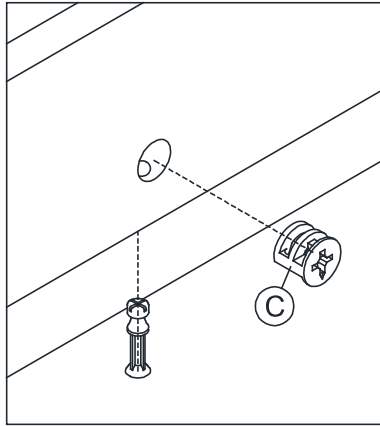
3



4



5



6

