

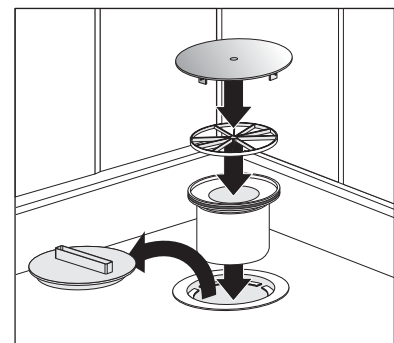
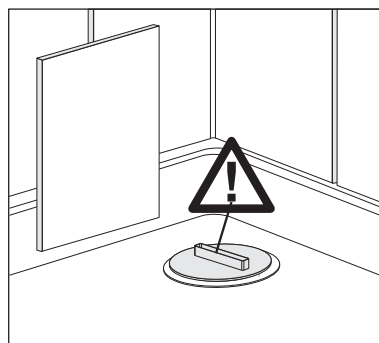
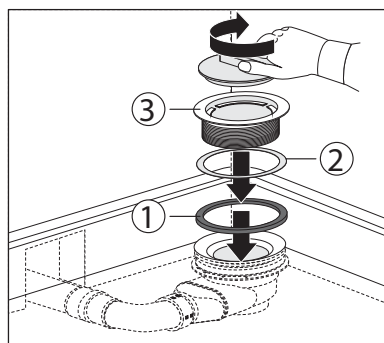
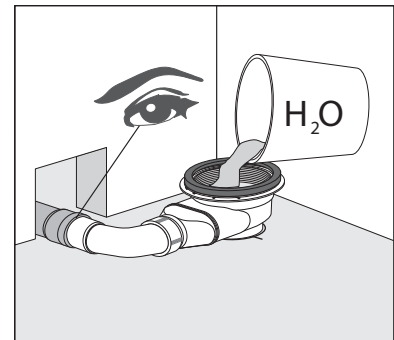
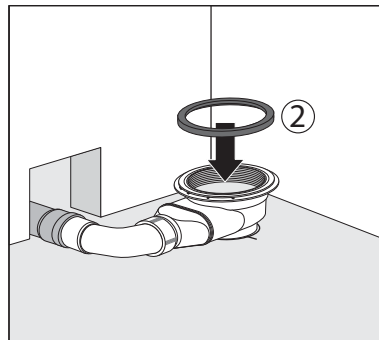
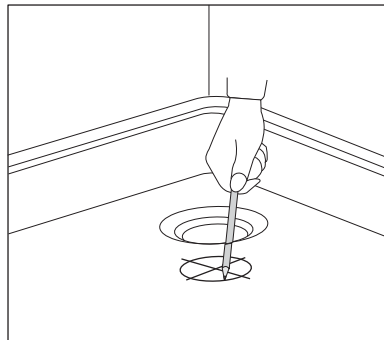
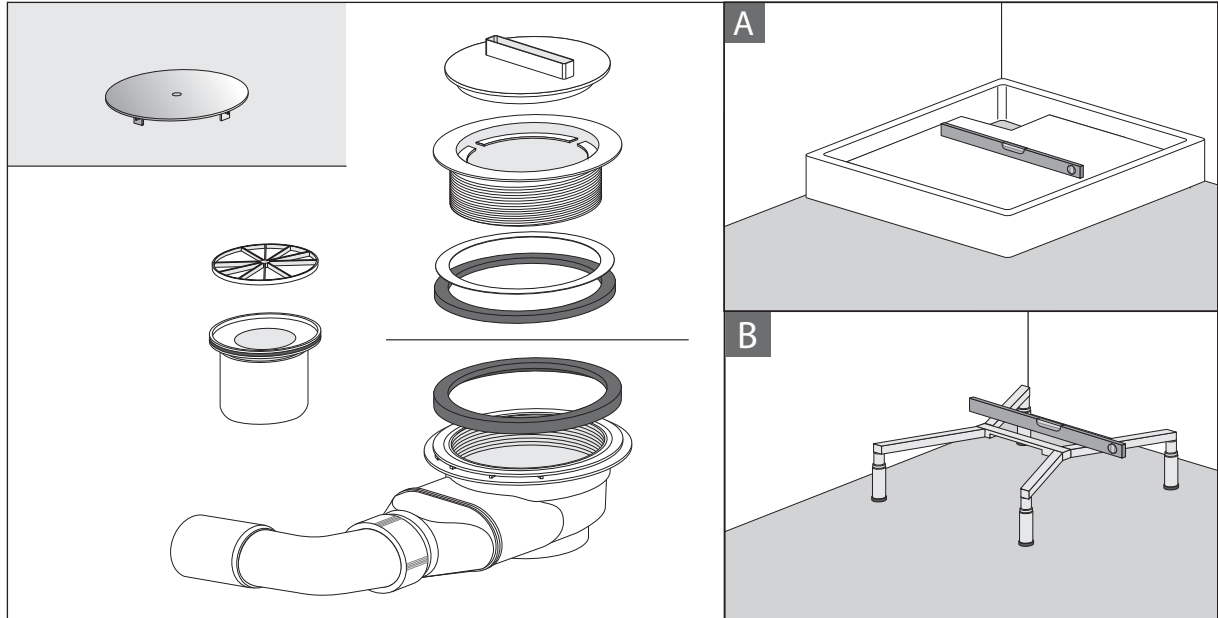


# Montageanleitung

## Ablaufgarnitur Tasso 90



[mm]



**Service**

The service diagram includes several elements:
 

- On the left, a diagram labeled 1 shows the disassembly of the drain components for cleaning.
- In the center, a diagram labeled 2 shows a faucet with water droplets, indicating that the drain should be kept clean to prevent clogging.
- On the right, a diagram labeled 3 shows the reassembly of the drain components.
- Below these diagrams, there are several icons: a warning triangle with an exclamation mark, a can of 'Chlor Chlorine (Cl)' with a large 'X' over it, a roll of paper with a large 'X' over it, and a bucket of liquid with a large 'X' over it. Below these are icons for cleaning materials: a scrubber with a large 'X' over it, a sponge with a checkmark, another sponge with a checkmark, a cloth with a checkmark, and a brush with a checkmark.