

# Refrigerator

---

## User manual

---

Built-in Appliance

**SAMSUNG**

# Contents

---

|   |           |
|---|-----------|
| <b>Safety information</b>                           | <b>3</b>  |
| What you need to know about the safety instructions | 3         |
| Important safety symbols and precautions:           | 5         |
| Important safety precautions                        | 6         |
| Severe warning signs for transportation and site    | 9         |
| Critical installation warnings                      | 10        |
| Installation cautions                               | 14        |
| Critical usage warnings                             | 14        |
| Usage cautions                                      | 19        |
| Cleaning cautions                                   | 21        |
| Critical disposal warnings                          | 23        |
| Additional tips for proper usage                    | 24        |
| Instructions about the WEEE                         | 26        |
| <b>Installation</b>                                 | <b>27</b> |
| Refrigerator at a glance                            | 27        |
| Step-by-step installation                           | 28        |
| <b>Operations</b>                                   | <b>39</b> |
| Main panel  | 39        |
| SmartThings (applicable models only)                | 44        |
| Storage information                                 | 47        |
| <b>Maintenance</b>                                  | <b>49</b> |
| Handle and care                                     | 49        |
| Cleaning  | 51        |
| Replacement   | 51        |
| <b>Troubleshooting</b>                              | <b>52</b> |
| General   | 52        |
| Do you hear abnormal sounds from the refrigerator?  | 55        |
| SmartThings (applicable models only)                | 57        |
| <b>Appendix</b>                                     | <b>58</b> |
| Safety Instruction                                  | 58        |
| Install Instruction                                 | 58        |
| Temperature Instruction                             | 59        |
| Information for model and ordering spare parts      | 62        |
| <b>Open Source Announcement</b>                     | <b>63</b> |
| Open Source Announcement                            | 63        |

# Safety information

---

Before using your new Samsung Refrigerator, please read this manual thoroughly to ensure that you know how to operate the features and functions that your new appliance offers safely and efficiently.

## What you need to know about the safety instructions

---

- Warnings and Important Safety Instructions in this manual do not cover all possible conditions and situations that may occur.  
It is your responsibility to use common sense, caution, and care when installing, maintaining, and operating your appliance.
- Because these following operating instructions cover various models, the characteristics of your refrigerator may differ slightly from those described in this manual and not all warning signs may be applicable. If you have any questions or concerns, contact your nearest service center or find help and information online at [www.samsung.com](http://www.samsung.com).
- R-600a or R-134a is used as a refrigerant. Check the compressor label on the rear of the appliance or the rating label inside the fridge to see which refrigerant is used for your appliance. When this product contains flammable gas (Refrigerant R-600a), contact your local authority in regard to safe disposal of this product.
- In order to avoid the creation of a flammable gas-air mixture if a leak in the refrigerating circuit occurs, the size of the room in which the appliance may be sited depends on the amount of refrigerant used.
- It is hazardous for anyone other than an Authorized Service Person to service this appliance.

## Safety information

---

- Never start up an appliance showing any signs of damage. If in doubt, consult your dealer. The room must be 1 m<sup>3</sup> in size for every 8 g of R-600a refrigerant inside the appliance.  
The amount of refrigerant in your particular appliance is shown on the identification plate inside the appliance.
- Refrigerant squirting out of the pipes could ignite or cause an eye injury. When refrigerant leaks from the pipe, avoid any naked flames and move anything flammable away from the product and ventilate the room immediately.
  - Failing to do so may result in fire or explosion.
- To avoid contamination of food, please respect the following instructions:
  - Opening the door for long periods can cause a significant increase of the temperature in the compartments of the appliance.
  - Clean regularly surfaces that can come in contact with food and accessible drainage systems.
  - Clean water tanks if they have not been used for 48 h; flush the water system connected to a water supply if water has not been drawn for 5 days.
  - Store raw meat and fish in suitable containers in the refrigerator, so that it is not in contact with or drip onto other food.
  - Two-star frozen-food compartments are suitable for storing pre-frozen food, storing or making icecream and making ice cubes.
  - One-, two- and three-star compartments are not suitable for the freezing of fresh food.

- 
- If the refrigerating appliance is left empty for long periods, switch off, defrost, clean, dry, and leave the door open to prevent mould developing within the appliance.

## **Important safety symbols and precautions:**

---

Please follow all safety instructions in this manual. This manual uses the following safety symbols.

### **WARNING**

Hazards or unsafe practices that may result in **severe personal injury, property damage, and/or death.**

### **CAUTION**

Hazards or unsafe practices that may result in **severe personal injury and/or property damage.**

### **NOTE**

Useful information that helps users understand or benefit from the refrigerator.

These warning signs are here to prevent injury to you and others.

Please follow them carefully.

After reading this section, keep it in a safe place for future reference.

# Safety information

---

## Important safety precautions

---



WARNING; Risk of fire / flammable materials

### **WARNING**

- When positioning the appliance, ensure the supply cord is not trapped or damaged.
- Do not locate multiple portable socket-outlets or portable power supplies at the rear of the appliance.
- Keep ventilation openings, in the appliance enclosure or in the built-in structure, clear of obstruction.
- Do not use mechanical devices or any other means to accelerate the defrosting process, other than those recommended by the manufacturer.
- Do not damage the refrigerant circuit.
- Do not use electrical appliances inside the food storage compartments of the appliance, unless they are of the type recommended by the manufacturer.
  
- This appliance is not intended for use by persons (including children) with reduced physical, sensory, or mental capabilities, or those who lack experience and knowledge, unless they have been given supervision or instruction concerning the use of the appliance by a person responsible for their safety.

- 
- This appliance can be used by children aged from 8 years and above and persons with reduced physical, sensory or mental capabilities or lack of experience and knowledge if they have been given supervision or instruction concerning use of the appliance in a safe way and understand the hazards involved. Children shall not play with the appliance. Cleaning and user maintenance shall not be made by children without supervision. Children aged from 3 to 8 years are allowed to load and unload refrigerating appliances.
  - If the supply cord is damaged, it must be replaced by the manufacturer, its service agent or similarly qualified persons in order to avoid a hazard.
  - The socket must be easily accessible so that the appliance can be quickly disconnected from the supply in an emergency.
    - It must be outside the area of the rear of the appliance.
  - Do not store explosive substances such as aerosol cans with a flammable propellant in this appliance.
  - If the product is equipped with LED lamps, do not disassemble the Lamp Covers and LED lamps yourself.
    - Contact a Samsung service center.
    - Use only the LED Lamps provided by the manufacturer or its service agents.
  - If the interior or exterior LED lamp has gone out, contact your nearest service center.
  - For the most efficient use of energy, please keep the all inner fittings such as baskets, drawers, shelves on the position supplied by manufacturer.

## Safety information

---

- To get the best energy efficiency of this product, please leave all shelves, drawers and baskets on their original position.

### How to minimize the energy consumption

- Install the appliance in a cool, dry room with adequate ventilation.
- Ensure that it is not exposed to direct sunlight and never put it near a direct source of heat (radiator, for example).
  - Not to block any vents or grilles is recommended for energy efficiency.
  - Allow warm food to cool down before placing it in the appliance.
  - Put frozen food in the refrigerator to thaw. You can then use the low temperatures of the frozen products to cool food in the refrigerator.
  - Do not keep the door of the appliance open for too long when putting food in or taking food out.
  - The shorter time for which the door is open, the less ice will form in the freezer.
  - Clean the rear of the refrigerator regularly. Dust increases energy consumption.
  - Do not set temperature colder than necessary.
  - Ensure sufficient air exhaust at the refrigerator base and at the back wall of the refrigerator. Do not cover air vent openings.
  - Allow clearance to the right, left, back and top when installing. This will help reduce power consumption and keep your energy bills lower.



- 
- Select 560 mm cavity depth. A smaller cavity depth will result in a higher energy consumption.

This appliance is intended to be used in household and similar applications such as

- staff kitchen areas in shops, offices and other working environments;
- farm houses and by clients in hotels, motels and other residential type environments;
- bed and breakfast type environments;
- catering and similar non-retail applications.

## **Severe warning signs for transportation and site**

---

### **WARNING**

- When transporting and installing the appliance, care should be taken to ensure that no parts of the refrigerating circuit are damaged.
  - Refrigerant leaking from the pipe work could ignite or cause an eye injury. If a leak is detected, avoid any naked flames or potential sources of ignition and air the room in which the appliance is standing for several minutes.

## Safety information

---

- This appliance contains a small amount of isobutane refrigerant (R-600a), a natural gas with high environmental compatibility that is, however, also combustible. When transporting and installing the appliance, care should be taken to ensure that no parts of the refrigerating circuit are damaged.

## Critical installation warnings

---

### **WARNING**

- Do not install the refrigerator in a damp location or place where it may come in contact with water.
  - Deteriorated insulation on electrical parts may cause an electric shock or fire.
- Do not place this refrigerator in direct sunlight or expose it to the heat from stoves, room heaters, or other appliances.
- Do not plug several appliances into the same multiple power strip. The refrigerator should always be plugged into its own individual electrical outlet which has a voltage rating that matches the voltage listed on the refrigerator's rating plate.
  - This provides the best performance and also prevents overloading of house wiring circuits, which could cause a fire hazard from overheated wires.
- If the wall socket is loose, do not insert the power plug.
  - There is a risk of electric shock or fire.
- Do not use a power cord that has cracks or abrasion damage along its length or at either end.

- 
- Do not bend the power cord excessively or place heavy objects on it.
  - Do not pull or excessively bend the power cord.
  - Do not twist or tie the power cord.
  - Do not hook the power cord over a metal object, place a heavy object on the power cord, insert the power cord between objects, or push the power cord into the space behind the appliance.
  - When moving the refrigerator, be careful not to roll over or damage the power cord.
    - This may result in an electric shock or fire.
  - Never unplug your refrigerator by pulling on the power cord. Always grip the plug firmly and pull straight out from the outlet.
    - Damage to the cord may cause a short-circuit, fire, and/or electric shock.
  - Do not use aerosols near the refrigerator.
    - Using aerosols near the refrigerator may cause an explosion or fire.
  - Do not install this appliance near a heater or inflammable material.
  - Do not install this appliance in a location where gas may leak.
    - This may result in an electric shock or fire.
  - This refrigerator must be properly located and installed in accordance with the instructions in this manual before you use it.

## Safety information

---

- Connect the power plug in the proper position with the cord hanging down.
  - If you connect the power plug upside down, the wire can get cut off and cause a fire or electric shock.
- Make sure that the power plug is not crushed or damaged by the back of the refrigerator.
- Keep the packing materials out of reach of children.
  - There is a risk of death from suffocation if a child puts the packing materials on his or her head.
- Do not install this appliance in a humid, oily or dusty location, in a location exposed to direct sunlight and water (rain drops).
  - Deteriorated insulation of electrical parts may cause an electric shock or fire.
- If any dust or water is in the refrigerator, pull out power plug and contact your Samsung Electronics service center.
  - Otherwise there is a risk of fire.
- Do not stand on top of the appliance or place objects (such as laundry, lighted candles, lighted cigarettes, dishes, chemicals, metal objects, etc.) on the appliance.
  - This may result in an electric shock, fire, problems with the product, or injury.
- You need to remove all the protective plastic film before you initially plug the product in.
- Children should be supervised to ensure that they do not play with the snap rings used for door adjustment or the water tube clips.
  - There is risk of death by suffocation if a child swallows a snap ring or water tube clip. Keep the snap rings and water tube clips out of children's reach.

- 
- The refrigerator must be safely grounded.
    - Always make sure that you have grounded the refrigerator before attempting to investigate or repair any part of the appliance. Power leakages can cause severe electric shock.
  - Never use gas pipes, telephone lines, or other potential lightning attractors as an electrical ground.
    - You must ground the refrigerator to prevent any power leakages or electric shocks caused by current leakage from the refrigerator.
    - This may result in an electric shock, fire, explosion, or problems with the product.
  - Plug the power plug into the wall socket firmly. Do not use a damaged power plug, damaged power cord, or loose wall socket.
    - This may result in an electric shock or fire.
  - The fuse on the refrigerator must be changed by a qualified technician or service company.
    - Failing to do so may result in an electric shock or personal injury.
  - This appliance is a built-in model that requires guided ventilation. To prevent a risk of explosion, make sure to secure room for ventilation.
  - The fuse on the refrigerator must be changed by a qualified technician or service company. Failing to do so may result in an electric shock or personal injury.

# Safety information

---

## Installation cautions

---

### CAUTION

- Allow sufficient space around the refrigerator and install it on a flat surface.
  - If your refrigerator is not level, cooling efficiency and durability can be declined.
- Allow the appliance to stand for 2-3 hours before loading foods after installation and turning on.
- We strongly recommend you have a qualified technician or service company install the refrigerator.
  - Failing to do so may result in an electric shock, fire, explosion, problems with the product, or injury.

## Critical usage warnings

---

### WARNING

- Do not insert the power plug into a wall socket with wet hands.
  - This may result in an electric shock.
- Do not store articles on the top of the appliance.
  - When you open or close the door, the articles may fall and cause personal injury and/or material damage.
- Do not insert hands, feet or metal objects (such as chopsticks, etc.) into the bottom or the back of the refrigerator.
  - This may result in an electric shock or injury.
  - Any sharp edges may cause a personal injury.

- 
- Do not touch the inside walls of the freezer or products stored in the freezer with wet hands.
    - This may cause frostbite.
  - Do not put a container filled with water on the refrigerator.
    - If spilled, there is a risk of fire or electric shock.
  - Do not keep volatile or flammable objects or substances (benzene, thinner, propane gas, alcohol, ether, LP gas, and other such products) in the refrigerator.
    - This refrigerator is for storing food only.
    - This may result in fire or explosion.
  - Children should be supervised to ensure that they do not play with the appliance.
    - Keep fingers out of “pinch point” areas. Clearances between the doors and cabinet are necessarily small. Be careful when you open the doors if children are in the area.
  - Do not put your fingers or children's fingers between the doors.
    - Keep fingers out of the left and right door gaps. Be careful when you open the doors if your fingers are in between the doors.
  - Do not let children hang on the door or door bins. A serious injury may occur.
  - Do not let children go inside the refrigerator. They could become trapped.
  - Do not insert your hands into the bottom area under the appliance.
    - Any sharp edges may cause personal injury.

## Safety information

---

- Do not store pharmaceutical products, scientific materials, or temperature sensitive products in the refrigerator.
  - Products that require strict temperature controls must not be stored in the refrigerator.
- If you smell pharmaceutical or smoke, pull out power plug immediately and contact your Samsung Electronics service center.
- If any dust or water is in Refrigerator, pull out power plug and contact your Samsung Electronics service center.
  - Otherwise there is a risk of fire.
- Do not let children step on a drawer.
  - The drawer may break and cause them to slip.
- Do not leave the doors of the refrigerator open while the refrigerator is unattended and do not let children enter inside the refrigerator.
- Do not allow babies or children go inside the drawer.
  - It can cause death from suffocation by entrapment or personal injury.
- Do not overfill the refrigerator with food.
  - When you open the door, an item may fall out and cause personal injury or material damage.
- Do not spray volatile material such as insecticide onto the surface of the appliance.
  - As well as being harmful to humans, it may also result in an electric shock, fire, or problems with the product.
- Do not use or place any substances sensitive to temperature such as flammable sprays, flammable objects, dry ice, medicine, or chemicals near or inside of the refrigerator.



- 
- Do not use a hair dryer to dry the inside of the refrigerator. Do not place a lighted candle in the refrigerator for removing bad odours.
    - This may result in an electric shock or fire.
  - Do not stand on top of the appliance or place objects (such as laundry, lighted candles, lighted cigarettes, dishes, chemicals, metal objects, etc.) on the appliance. This may result in an electric shock, fire, problems with the product, or injury. Do not put a container filled with water on the appliance.
    - If spilled, there is a risk of fire or electric shock.
  - Never stare directly at the UV LED lamp for long periods of time.
    - This may result in eye strain due to the ultraviolet rays.
  - Do not put shelf in upside down. Shelf stopper could not work.
    - It may cause a personal injury because of glass shelf drop.
  - If a gas leak is detected, avoid any naked flames or potential sources of ignition, and air the room in which the appliance is standing for several minutes.
    - Do not touch the appliance or power cord.
    - Do not use a ventilating fan.
    - A spark may result in explosion or fire.
  - Bottles should be stored tightly together so that they do not fall out.
  - This product is intended only for the storage of food in a domestic environment.

## Safety information

---

- Do not attempt to repair, disassemble, or modify the refrigerator yourself.
  - Unauthorized modifications can cause safety problems. To reverse an unauthorized modification, we will charge the full cost of parts and labor.
- Do not use any fuse (such as cooper, steel wire, etc.) other than a standard fuse.
- If your refrigerator needs to be repaired or reinstalled, contact your nearest service center.
  - Failing to do so may result in an electric shock, fire, problems with the product, or injury.
- If the refrigerator emits a burning smell or smoke, unplug the refrigerator immediately and contact your Samsung Electronics service center.
  - Failing to do so may result in an electric or fire hazards.
- Pull the power plug out of the socket before changing the interior lamps of the refrigerator.
  - Otherwise, there is a risk of electric shock.
- If you experience difficulty changing a non-LED light, contact a Samsung service center.
- Plug the power plug into the wall socket firmly.
- Do not use a damaged power plug, damaged power cord or loose wall socket.
  - This may result in an electric shock or fire.

---

## Usage cautions

---

### CAUTION

- Do not refreeze thawed food.
  - Frozen and thawed food will develop harmful bacteria faster than fresh.
  - The second thaw will break down even more cells, leaching out moisture and changing the integrity of the product.
- Do not thaw meat at room temperature.
  - Safety will depend on whether the raw product was handled properly.
- Do not place glass bottles or carbonated beverages into the freezer.
  - The container may freeze and break, and this may result in injury.
- Use only the ice maker provided with the refrigerator.
- To get the best performance from the product:
  - Do not place food too close to the vents at the rear of the refrigerator as this can obstruct free air circulation in the refrigerator compartment.
  - Wrap food up properly or place it in airtight containers before putting it into the refrigerator.
  - Please observe maximum storage times and expiration dates of frozen goods.

## Safety information

---

- There is no need to disconnect the refrigerator from the power supply if you will be away for less than three weeks. However, if you will be away for more than three weeks, remove all the food and ice in the ice bucket, unplug the refrigerator, close the water valve, wipe excess moisture from the inside walls, and leave the doors open to prevent odors and mold.
- Service Warranty and Modification.
  - Any changes or modifications performed by a 3rd party on this finished appliance are not covered under Samsung warranty service, nor is Samsung responsible for safety issues that result from 3rd party modifications.
- Do not block the air vents inside the refrigerator.
  - If the air vents are blocked, especially with a plastic bag, the refrigerator can be over cooled.
- Wipe excess moisture from the inside and leave the doors open.
  - Otherwise, odor and mold may develop.
- If the refrigerator is disconnected from the power supply, you should wait for at least five minutes before plugging it back in.
- When the refrigerator got wet by water, pull out the power plug and contact your Samsung Electronics service center.
- Do not strike or apply excessive force to any glass surface.
  - Broken glass may result in a personal injury and/or property damage.
- Be careful that your fingers are not caught in.

- 
- If the refrigerator is flooded, make sure to contact your nearest service center.
    - There is a risk of electric shock or fire.
  - Do not keep vegetable oil in your refrigerator's door bins. The oil can solidify, making it foul-tasting and difficult to use. In addition, the open container can leak and the leaked oil can cause the door bin to crack. After opening an oil container, it is best to keep the container in a cool and shaded place such as a cupboard or pantry.
    - Examples of vegetable oil: olive oil, corn oil, grape-seed oil, etc.

## Cleaning cautions

---

### CAUTION

- Do not spray water directly on the inside or outside the refrigerator.
  - There is a risk of fire or electric shock.
- Do not use a hair dryer to dry the inside of the refrigerator.
- Do not place a lighted candle in the refrigerator to remove bad odors.
  - This may result in an electric shock or fire.
- Do not spray cleaning products directly on the display.
  - Printed letters on the display may come off.
- If any foreign substance such as water has entered the appliance, unplug the power plug and contact your nearest service center.
  - Failing to do so may result in an electric shock or fire.

## Safety information

---

- Use a clean, dry cloth to remove any foreign matter or dust from the power plug blades. Do not use a wet or damp cloth when cleaning the plug.
  - Otherwise, there is a risk of fire or electric shock.
- Do not clean the appliance by spraying water directly onto it.
- Do not use benzene, thinner, or Clorox, Chloride for cleaning.
  - They may damage the surface of the appliance and may cause a fire.
- Before cleaning or performing maintenance, unplug the appliance from the wall socket.
  - Failing to do so may result in an electric shock or fire.
- Use a clean sponge or soft cloth and a mild detergent in warm water to clean the refrigerator.
- Do not use abrasive or harsh cleansers such as window sprays, scouring cleansers, flammable fluids, muriatic acid, cleaning waxes, concentrated detergents, bleaches, or cleansers containing petroleum products on exterior surfaces (doors and cabinet), plastic parts, door and interior liners, and gaskets.
  - These can scratch or damage the material.
- Do not clean glass shelves or covers with warm water when they are cold. Glass shelves and covers may break if exposed to sudden temperature changes or impacts such as bumping or dropping.

---

## Critical disposal warnings

---

### **WARNING**

- Please dispose of the packaging material from this product in an environmentally friendly manner.
- Ensure that none of the pipes on the back of the refrigerator are damaged prior to disposal.
- When disposing of this refrigerator, remove the door/door seals and door latch so that small children or animals cannot become trapped inside. Children should be supervised to ensure that they do not play with the appliance. If trapped inside, a child may get hurt or suffocate to death.
  - If trapped inside, the child may become injury and suffocate to death.
- Cyclopentane is used in the insulation. The gases in the insulation material require a special disposal procedure. Please contact your local authorities in regard to the environmentally safe disposal of this product.
- Keep all packaging materials well out of the reach of children, as packaging materials can be dangerous to children.
  - If a child places a bag over his or her head, the child could suffocate.

# Safety information

---

## Additional tips for proper usage

---

- In the event of a power failure, call the local office of your electric company and ask how long the failure is going to last.
  - Most power failures that are corrected in an hour or two will not affect your refrigerator temperatures. However, you should minimize the number of door openings while the power is off.
  - Should the power failure last more than 24 hours, remove and discard all frozen food.
- The refrigerator might not operate consistently (frozen contents can thaw or temperatures can become too warm in the frozen food compartment) if sited for an extended period of time in a location where ambient air temperatures are constantly below the temperatures for which the appliance is designed.
- In case of particular foods, keeping it under refrigeration can have a bad effect on preservation due to its properties.
- Your appliance is frost free, which means there is no need to manually defrost your appliance. This will be carried out automatically.
- Temperature rise during defrosting complies with ISO requirements. If you want to prevent an undue rise in the temperature of frozen food while the appliance defrosts, wrap the frozen food in several layers of newspaper.
- Do not re-freeze frozen foods that have thawed completely.



- 
- The temperature of two star section (sections) or compartment (compartments) which have two star symbol (\*\*) is slightly higher than other freezer compartment (compartments).

The two star section (sections) or compartment (compartments) is (are) based on the instruction and/or the condition as delivered.

# Safety information

---

## Instructions about the WEEE

---



### Correct Disposal of This Product (Waste Electrical & Electronic Equipment) (Applicable in countries with separate collection systems)

This marking on the product, accessories or literature indicates that the product and its electronic accessories (e.g. charger, headset, USB cable) should not be disposed of with other household waste at the end of their working life. To prevent possible harm to the environment or human health from uncontrolled waste disposal, please separate these items from other types of waste and recycle them responsibly to promote the sustainable reuse of material resources.

Household users should contact either the retailer where they purchased this product, or their local government office, for details of where and how they can take these items for environmentally safe recycling.

Business users should contact their supplier and check the terms and conditions of the purchase contract. This product and its electronic accessories should not be mixed with other commercial wastes for disposal.

For information on Samsung's environmental commitments and product regulatory obligations, e.g. REACH, WEEE or Batteries, visit our sustainability page available via [www.samsung.com](http://www.samsung.com)

(For products sold in European countries and in the UK only)

# Installation

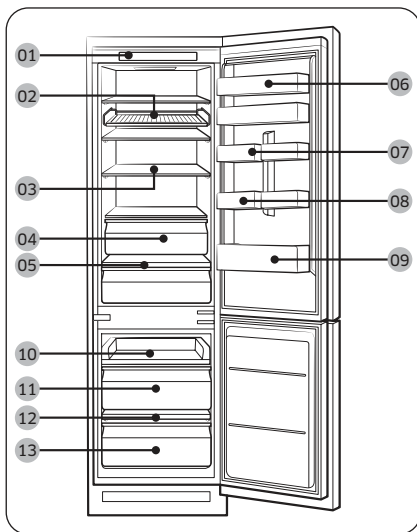
Follow these instructions carefully to ensure a proper installation of this refrigerator and to prevent accidents before using it.

## ⚠ WARNING

- Use the refrigerator only for its intended purpose as described in this manual.
- Any servicing must be performed by a qualified technician.
- Dispose of the product packaging material in compliance with the local regulations.
- To prevent electric shock, unplug the power cord before servicing or replacements.

## Refrigerator at a glance

The actual image and provided component parts of the refrigerator may differ, depending on the model and the country.



- 01 Control panel
- 02 Shelf wine \*
- 03 Fridge shelf \*
- 04 Fridge drawer \*
- 05 Vegetable shelf \*
- 06 Top door bin \*
- 07 Variety door bin
- 08 Egg tray \*
- 09 Fridge door bin
- 10 Slide shelf
- 11 Freezer middle drawer
- 12 Freezer shelf \*
- 13 Freezer bottom drawer

\* applicable models only

## 📖 NOTE

- For best energy efficiency, make sure all of shelves, drawers, and baskets are placed in their original position.
- Only for models which have freezer shelf:
  - To quickly freeze large quantities of food, use the freezer after removing the bottom drawer of the freezer.
  - To get more space, you can remove the slide shelf (10) and two freezer drawers (11, 13) under it but keep the freezer shelf on the bottom drawer of the freezer. They do not affect thermal and mechanical characteristics. The declared storage volume of the frozen food storage compartment is calculated with the shelf and the freezer drawers removed.

# Installation

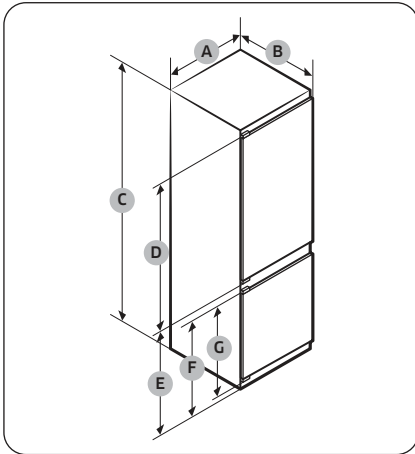
## Step-by-step installation

### STEP 1 Select a site

#### Site requirements:

- Solid, level surface without carpeting or flooring that may obstruct ventilation
- Away from direct sunlight
- Adequate room for opening and closing the door
- Away from a heat source
- Room for maintenance and servicing

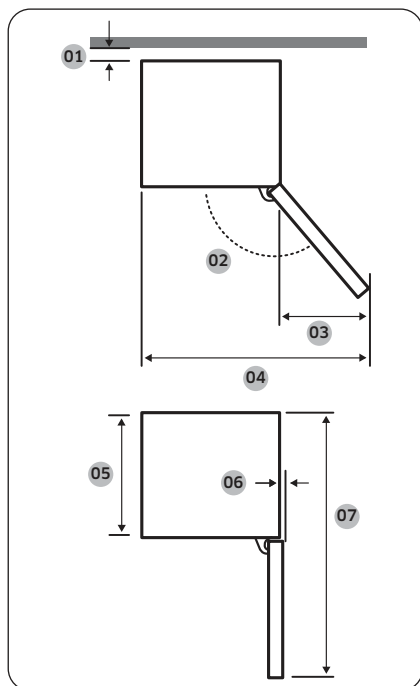
#### Product dimension



|   | BRB***26*         | BRB***30*         |
|---|-------------------|-------------------|
| A | 540±2             | 540±2             |
| B | 550±2 (with door) | 550±2 (with door) |
| C | 1775±2            | 1935±2            |
| D | 987               | 1147              |
| E | 735               | 735               |
| F | 671               | 671               |
| G | 621               | 621               |

(unit : mm)

## Product Overall Dimension



| Model | BRB*****S0<br>SLIDE TYPE     | BRB*****FO<br>FIXED TYPE |
|-------|------------------------------|--------------------------|
| 01 *  | 10 (Min.) / 30 (Recommended) |                          |
| 02    | 95° (Recommended)            | 115°<br>(Recommended)    |
| 03    | 218                          | 180                      |
| 04    | 758                          | 700                      |
| 05    | 510                          | 510                      |
| 06    | 1                            | 5                        |
| 07    | 1055                         | 1055                     |

\* 01: From cabinet to rear of product.  
(unit : mm)

### NOTE

- The specified energy consumption is based on the condition of a 10 mm gap from cabinet to rear of product. The product will work properly even with a gap which is less than 10 mm, however it consumes slightly more energy.
- We recommend using a cabinet that is 18 mm thick with hinges less than 20 mm thick.

### NOTE

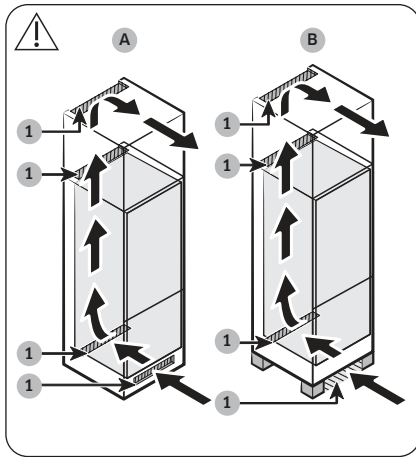
- The measurements in the above table may differ, depending on the measuring method.
- For built-in installation, see the Installation Manual.

# Installation

## Ventilation system of the cabinet

As shown in the figure, the air entering the refrigerator circulates along the ventilation path (see the arrow direction) of the cabinet. The cabinet must have at least 200 cm<sup>2</sup> (WxH: 500 mm x 40 mm) of space both for the air inlet and air outlet. Also, the cabinet must have a rear vent of at least 200 cm<sup>2</sup> (WxH: 500 mm x 40 mm) of space at the rear bottom.

### Air inlet

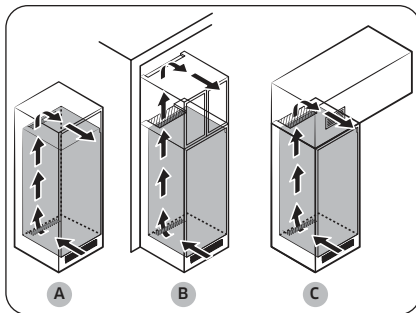


|   |                     |
|---|---------------------|
| 1 | 200 cm <sup>2</sup> |
|---|---------------------|

The air inlet must be positioned in one of the examples below, or a similar position, depending on your cabinet type.

- A. A ventilation hole included in the cabinet.
- B. A cabinet with feet.

### Air outlet



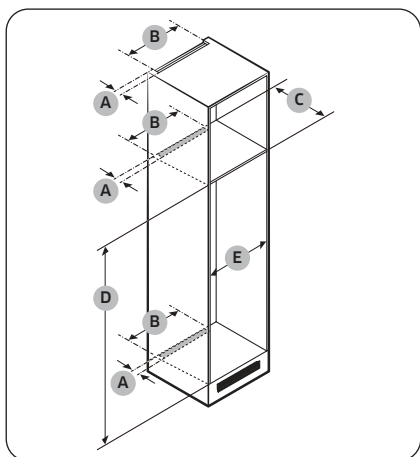
The air outlet must be positioned in one of the examples below, or a similar position, depending on your cabinet type.

- A. Immediately above the refrigerator with an optional vent grille
- B. Close to the cabinet ceiling
- C. Above the refrigerator with a separately built-in vent

### ⚠ CAUTION

Regardless of the cabinet design, the air ventilation system must not be blocked by any kind of installation.

## Cabinet dimension



### ⚠ CAUTION

If the cabinet has a door, make sure the door is not heavy to prevent it from tipping or falling off.

| Cabinet door | Thickness (mm)     | Weight (kg) |
|--------------|--------------------|-------------|
| Fridge side  | Min. 16<br>Max. 19 | Max. 18     |
| Freezer side |                    | Max. 12     |

Any product failure due to the following is not covered by the Warranty.

1. Improper site conditions or incorrect cabinet sizes
2. Defective cabinet
3. Mistakes by the installer or the user

## Clearance

See the pictures and tables below for space requirements for installation.

| Model                      |           | A (mm) | B (mm) | C (mm) | D (mm) | E (mm) | Remark        |
|----------------------------|-----------|--------|--------|--------|--------|--------|---------------|
| BRB***26**SO<br>SLIDE TYPE | Min.      | 40     | 500    | 560    | 1778   | 560    |               |
|                            | Recommend |        |        | 580    | 1780   | 562    |               |
|                            | Max.      |        |        | -      | 1782   | 568    |               |
| BRB***26**FO<br>FIXED TYPE | Min.      | 40     | 500    | 560    | 1778   | 555    | Hinge : 17 mm |
|                            | Recommend |        |        | 580    | 1780   | 562    |               |
|                            | Max.      |        |        | -      | 1782   | 568    |               |
| BRB***30**SO<br>SLIDE TYPE | Min.      | 40     | 500    | 560    | 1938   | 560    |               |
|                            | Recommend |        |        | 580    | 1940   | 562    |               |
|                            | Max.      |        |        | -      | 1942   | 568    |               |
| BRB***30**FO<br>FIXED TYPE | Min.      | 40     | 500    | 560    | 1938   | 555    | Hinge : 17 mm |
|                            | Recommend |        |        | 580    | 1940   | 562    |               |
|                            | Max.      |        |        | -      | 1942   | 568    |               |

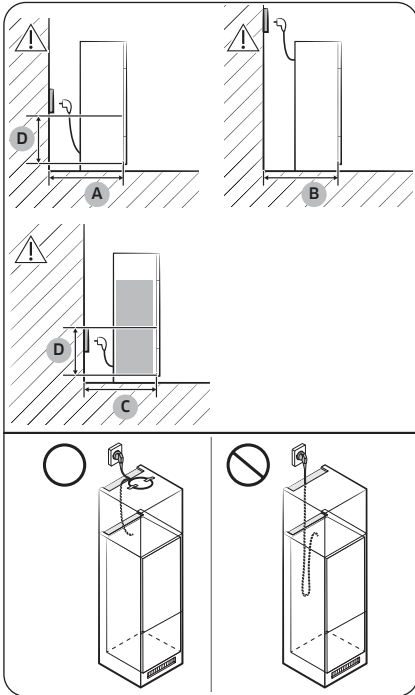
### 📖 NOTE

- If the width of a cabinet is larger than 568 mm, the gasket (between the refrigerator and the cabinet) can become loose.

# Installation

- If the cabinet is higher than the maximum dimension (1782 mm), you must use other finishing materials to fill the gap.

Consideration for socket outlet location and required space



|   |          |
|---|----------|
| A | Min. 590 |
| B | Min. 560 |
| C | Min. 580 |
| D | 240      |

(unit : mm)

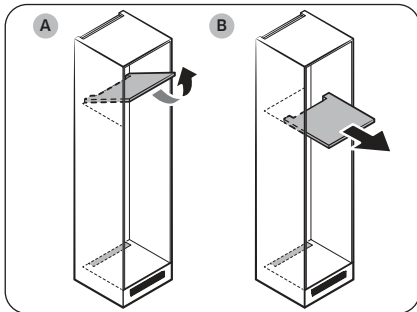
## NOTE

If you install the refrigerator in a cabinet with a 560 mm depth, make sure the power cord is arranged on a side of the refrigerator before plugging into a power socket. If the power cord is in the rear of the refrigerator, it could decrease the energy efficiency.



## Cabinet type

The recommended cabinet type is one of the following:

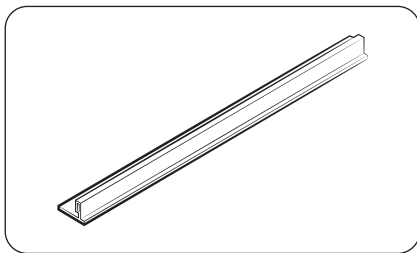


### NOTE

If using any of these cabinet types, you don't need to remove the main unit from the cabinet for servicing a defective main PBA. If using another cabinet type, you must remove the main unit from that cabinet for servicing.

**A.** Flipping type

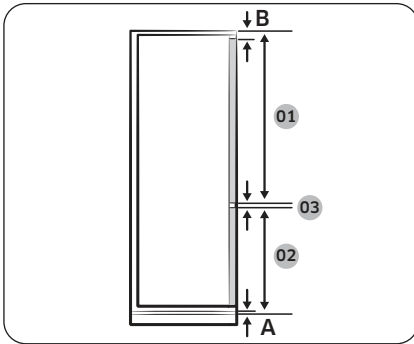
**B.** Sliding type



### NOTE

- Using an unrecommended-sized cabinet can cause the gasket between the refrigerator and the cabinet to be loose after the refrigerator is inserted in the cabinet.

# Installation



## NOTE

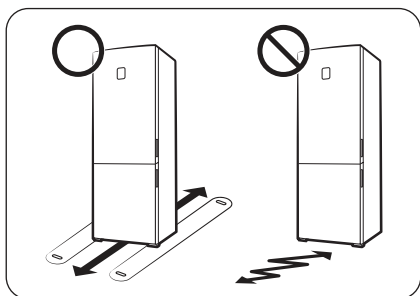
To install a cabinet requiring a 3 mm gap (03), see the cabinet reference table below.

| Model | BRB***26**S0<br>SLIDE TYPE            | BRB***26**F0<br>FIXED TYPE |
|-------|---------------------------------------|----------------------------|
| 01    | Min. 1041+B<br>Max. 1102+B            | Min. 1063+B<br>Max. 1076+B |
| 02    | Min. 670+A<br>Max. 731+A              | Min. 696+A<br>Max. 709+A   |
| 03    | 3 mm<br>(fridge and freezer door gap) |                            |

| Model | BRB***30**S0<br>SLIDE TYPE           | BRB***30**F0<br>FIXED TYPE |
|-------|--------------------------------------|----------------------------|
| 01    | Min. 1204+B<br>Max. 1262+B           | Min. 1223+B<br>Max. 1236+B |
| 02    | Min. 670+A<br>Max. 731+A             | Min. 696+A<br>Max. 709+A   |
| 03    | 3mm<br>(fridge and freezer door gap) |                            |

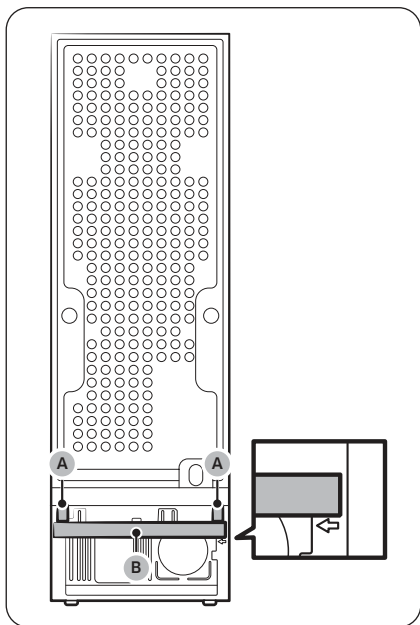
- A. Lower edge of the front panel above the air ventilation
- B. Front panel overhang

## STEP 2 Flooring



- The surface to install the refrigerator must support a fully loaded refrigerator.
- To protect the floor, put a large piece of cardboard on each foot of the refrigerator.
- Once the refrigerator is in its final position, do not move it unless necessary to protect the floor. If you have to, use a thick paper or cloth such as old carpet along the movement path.

## STEP 3 Spacing (applicable models only)



Attach the provided **spacers (A)** and the **sponge (B)** as shown in the figure to for optimal energy efficiency.

### ⚠ CAUTION

If the refrigerator is not flush with the cabinet, you may remove the spacers to make the refrigerator flush with the cabinet, but the optimal energy efficiency cannot be guaranteed.

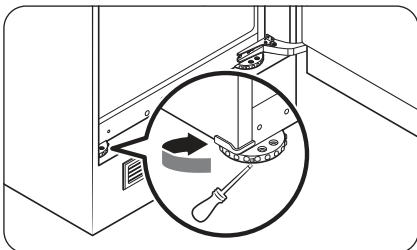
# Installation

## STEP 4 Adjust the levelling legs

### ⚠ CAUTION

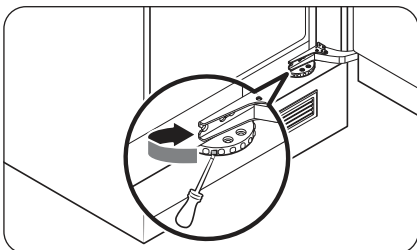
- The refrigerator must be levelled on a flat, solid floor. Failing to do so can cause damage to the refrigerator or physical injury.
- Levelling must be performed with an empty refrigerator. Make sure no food items remain inside the refrigerator.

The refrigerator can be levelled using the front legs that have a special screw (leveller) for levelling purposes. Use a flat-head screwdriver for levelling.



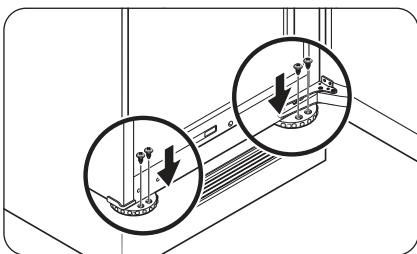
### To adjust the height of the left side:

Insert a flat-head screwdriver into the leveller of the front left leg. Turn the leveller clockwise to raise, or turn it counter clockwise to lower.



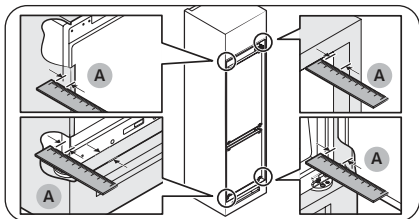
### To adjust the height of the right side:

Insert a flat-head screwdriver into the leveller of the front right leg. Turn the leveller clockwise to raise, or turn it counter clockwise to lower.



### 📖 NOTE

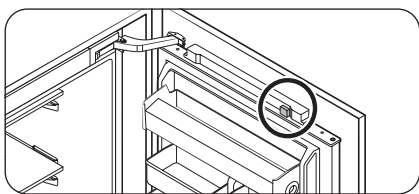
Make sure to secure a 41 mm (A: for both the sliding hinge and the fixed hinge) gap between the refrigerator and the closet or alcove. Then, fix the front legs using the screws.



### STEP 5 Initial settings

By completing the following steps, the refrigerator should be fully functioning.

1. Remove the PE foam sheet on each shelf corner, which is attached to protect the refrigerator during transportation.
2. Open the door, and check if the interior light lights up.



3. Remove the PE foam on the magnet from the top of the door.

4. Set the temperature to the coldest, and wait for about an hour. Then, the freezer will be slightly chilled, and the motor will run smoothly.
5. Wait until the refrigerator reaches the set temperature. Now the refrigerator is ready for use.

#### NOTE

When the refrigerator powers on, the alarm will sound. To turn off the alarm, press **Freezer** or **Fridge**.

# Installation

---

## STEP 6 Temperature Alarm (applicable models only)

---

### Type 1

- The refrigerator blinks '- -' on the temperature display with an alarm if the freezer compartment is too warm. This may occur if the freezer becomes too warm after there has been a power failure.
- If this happens, press **Freezer** or **Fridge**. Whichever warmer temperature is displayed for 5 seconds. Then the actual temperature is displayed. To deactivate the alarm, press **Door Alarm**.

### Type 2

- The refrigerator blinks the temperature indicator with an alarm if the freezer compartment is too warm. This may occur if the freezer becomes too warm after there has been a power failure. To deactivate the alarm, press **Freezer** or **Fridge**.

## STEP 7 Final check

---

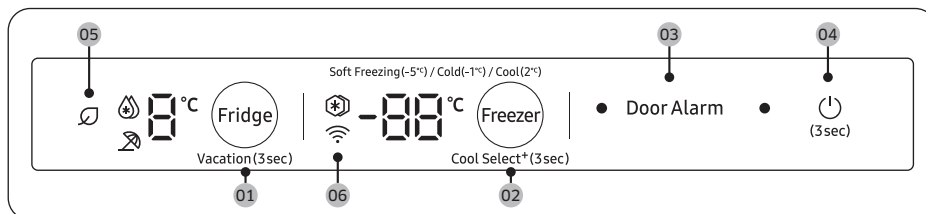
When installation is complete, confirm that:

- The refrigerator is plugged into an electrical outlet and grounded properly.
- The refrigerator is installed on a flat, level surface with a reasonable clearance from the wall or the cabinet.
- The refrigerator is level and is sitting firmly on the furniture.
- The door opens and closes freely, and the interior light turns on automatically when you open the door.

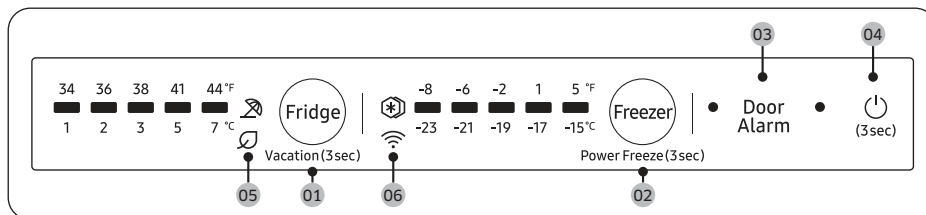
# Operations

## Main panel

### TYPE 1



### TYPE 2



**01** Fridge / Vacation

**02** Freezer / Power Freeze / Cool Select+ \*

**03** Door Alarm

**04** (Power)

**05** AI Energy Mode

**06** Network connection




\* applicable models only

#### **NOTE**

The LED indicators turn on all at once when the door is open, or turn off all at once when the door is closed.





# Operations

## 01 Fridge / Vacation (3 sec)

|          |   |
|----------|---|
| Fridge   | <p>To adjust the fridge temperature, press <b>Fridge</b> to select the corresponding temperature.<br/>You can change the temperature between 1 °C and 7 °C (default: 3 °C).</p> <p><b>Power Cool (Type 1)</b><br/>Power Cool speeds up the cooling process at maximum fan speed. The fridge keeps running at full speed for two and a half hours and then returns to the previous temperature.</p> <ul style="list-style-type: none"><li>• To activate Power Cool, select temperature 1 °C, and then press <b>Fridge</b> to select Power Cool. The corresponding indicator (  ) lights up, and the refrigerator will speed up the cooling process for you.</li><li>• To deactivate Power Cool, press <b>Fridge</b> again. Then, the temperature of the fridge will be set back to 7 °C.</li></ul> <p> <b>NOTE</b><br/>Using Power Cool increases power consumption. Make sure you turn it off and return to the previous temperature if you don't intend to use it.</p> |
| Vacation | <ul style="list-style-type: none"><li>• Use the Vacation function if you are going on vacation or a business trip, or if you do not intend to use the fridge for an extended time. The fridge temperature will be kept under 17 °C, but the freezer remains active as previously set.</li><li>• To activate or deactivate the Vacation mode, press and hold <b>Fridge</b> for 3 seconds.</li></ul> <p> <b>NOTE</b></p> <ul style="list-style-type: none"><li>• Make sure to remove foods in the fridge compartment before using Vacation mode.</li><li>• The Vacation mode will be disabled if you adjust the temperature.</li></ul>   |



## 02 Freezer / Power Freeze (3 sec) / Cool Select+ (3 sec)

|              |  |
|--------------|--|
| Freezer      | <p>The <b>Freezer</b> button can be used to set the freezer temperature. Available temperatures are between -15 °C and -23 °C (default: -19 °C).</p> <p> <b>NOTE</b><br/>You cannot change the temperature in Cool Select+ mode.</p>  |
| Power Freeze | <p>Power Freeze speeds up the freezing process at maximum fan speed. The freezer keeps running at full speed for 50 hours and then returns to the previous temperature. To freeze large amounts of food, activate Power Freeze for at least 20 hours before putting food in the freezer.</p> <p><b>Type 1</b></p> <ul style="list-style-type: none"><li>• To activate Power Freeze, select temperature -23 °C, and then press <b>Freezer</b> to select Power Freeze.<br/>The corresponding indicator () lights up, and the refrigerator will speed up the freezing process for you.</li><li>• When the Power Freeze process is complete, the corresponding indicator turns off and the freezer returns to the previous temperature setting.</li><li>• To deactivate Power Freeze, press <b>Freezer</b> again.<br/>The freezer returns to the pervious temperature setting.</li></ul> <p><b>Type 2</b></p> <ul style="list-style-type: none"><li>• To activate Power Freeze, press and hold <b>Freezer</b> for 3 seconds to select Power Freeze.<br/>The corresponding indicator () lights up, and the refrigerator will speed up the freezing process for you.</li><li>• To deactivate Power Freeze, press and hold <b>Freezer</b> for 3 seconds again.<br/>The freezer returns to the previous temperature setting, and the indicator turns off.</li></ul> <p> <b>NOTE</b><br/>Using Power Freeze increases power consumption. Make sure you turn it off and return to the previous temperature if you do not intend to use it.</p> |

# Operations


|                          |  |
|--------------------------|--|
| Cool Select+<br>(Type 1) | <p>Each time you press and hold <b>Cool Select+</b> for 3 seconds, the operating mode switches in this sequence:<br/>Freeze → Soft Freezing (-5 °C) → Cold (-1 °C) → Cool (2 °C)</p> <p><b>⚠ CAUTION</b></p> <ul style="list-style-type: none"><li>• If you switch the mode from Freezer to Cool Select+, the stored food may leak juice or liquid from the food.</li><li>• Do not store meat or fishery for an extended time in Cool Select+ mode. The food may freeze or spoil because of inappropriate temperature settings for the food to store.</li><li>• If the refrigerator recovers power from an extended time of inactivity, the Cool Select+ settings may be reset to factory defaults. Check out the Cool Select+ settings before using the refrigerator.</li></ul> |
|--------------------------|--|

## 03 Door Alarm


|            |   |
|------------|---|
| Door Alarm | <p>You can set the alarm for a reminder. If the door is left open for more than 2 minutes, the alarm will sound with the Alarm indicator blinking.</p> <p>You can toggle to enable and disable the alarm by pressing <b>Door Alarm</b>.</p> |
|------------|---|

## 04 (Power)

To turn the refrigerator on, press and hold  for 3 seconds.

If you press and hold  for 3 seconds again, the refrigerator turns off, and the room lamps also turn off.

## 05 AI Energy Mode (applicable models only)

The  icon appears when the AI Energy Mode is operating. You may turn on or off the AI Energy Mode in the SmartThings app. (applicable models only)

## 06 Network connection (applicable models only)

You can control and monitor your refrigerator on the SmartThings app. For more information, see the **SmartThings (applicable models only)** section.

### **NOTE**

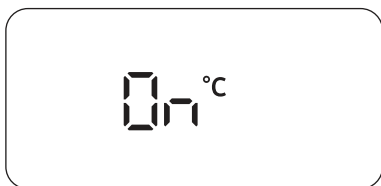
If the refrigerator is not connected to the SmartThings app, the Wi-Fi (📶) icon blinks to alert. If you see the blinking Wi-Fi (📶) icon, we recommend that you connect your refrigerator to the SmartThings app.

### Turning on or off the Wi-Fi (applicable models only)

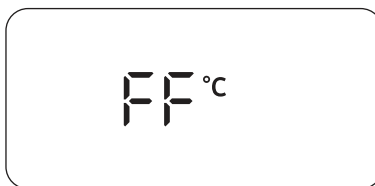
#### Type 1

To turn the Wi-Fi on or off, tap and hold **Fridge** for 10 seconds. The display shows the status of Wi-Fi for 5 seconds (as shown in the figure).

Wi-Fi On



Wi-Fi Off



#### Type 2

To turn the Wi-Fi on or off, press and hold **Fridge** for 10 seconds. The Wi-Fi (📶) icon shows the status of the Wi-fi as shown below.

- Wi-Fi Off: The Wi-Fi (📶) icon blinks for 5 seconds and then turns off.
- Wi-Fi On: The Wi-Fi (📶) icon blinks for 5 seconds and then turns on for 5 seconds.

### **NOTE**

- When you setup the Wi-Fi to connect the refrigerator to the SmartThings app, Wi-Fi On/Off functions turns on.
- For more information, see the **SmartThings (applicable models only)** section.

# Operations

---

## SmartThings (applicable models only)

---

### Installation

Visit the Google Play Store, Galaxy Apps, or Apple App Store and search for “SmartThings”. Download and install the SmartThings app provided by Samsung Electronics to your smart device.

#### NOTE

- The supporting software version of the SmartThings app is subject to change according to the OS supporting policy the manufacturer provides. In addition, as for the SmartThings app or the functions that the app supports, the new application update policy on the existing OS version can be suspended due to usability or security reasons.
- The SmartThings app is subject to change without notice to improve usability or performance. As the mobile phone OS version is updated every year, the SmartThings is also updated continually according to the latest OS. If you have enquiries regarding the items mentioned above, please contact us on [st.service@samsung.com](mailto:st.service@samsung.com)
- Recommended encryption systems include WPA/TKIP and WPA2/AES. Any newer or non-standard Wi-Fi authentication protocols are not supported.
- Wireless networks may be affected by the surrounding wireless communication environment.
- If your Internet service provider has registered the MAC address of your PC or modem for identification, your Samsung Smart Refrigerator may fail to connect to the Internet. If this happens, contact your Internet service provider for technical assistance.
- The firewall settings of your network system may prevent your Samsung Smart Refrigerator from accessing the Internet. Contact your Internet service provider for technical assistance. If this symptom continues, contact a local Samsung service center or retailer.
- To configure the wireless access point (AP) settings, see the user manual of the AP (router).
- Samsung Smart Refrigerators support both Wi-Fi 2.4 GHz with IEEE 802.11 b/g/n and Soft-AP protocols. (IEEE 802.11 n is recommended.)
- Unauthorized Wi-Fi wireless routers may fail to connect to applicable Samsung Smart Refrigerators.

---

## Samsung account

You are required to register your Samsung account to use the app. If you don't have a Samsung account, follow the app's onscreen instructions to create a free Samsung account.

## Getting started

Turn on the device you want to connect, open the SmartThings app on your phone, and then follow the instructions below.

If a pop-up appears saying that a new device has been found, tap **ADD NOW**.

If a pop-up doesn't appear, tap the **+** button, and then select the device you want to connect from the list of available devices.

If your device isn't in the list of available devices, tap **Supported Devices**, select the device type (Refrigerator), and then select the specific device model.

Follow the instructions in the app to set up your device. Once setup is complete, your refrigerator will appear as a "card" on your **Devices** screen.

## Integrated control


You can monitor and control your refrigerator at home and on the go.

- Tap the refrigerator icon on the SmartThings Dashboard or tap the Devices icon at the bottom of the Dashboard, and then tap the refrigerator "card" to open the Refrigerator page.
- Check the operation status or notifications related to your refrigerator, and then change options or settings if necessary.

### **NOTE**

Some options or settings of the refrigerator may not be available for remote control.

# Operations

| Category                                | Item   | Description  |
|---|--|--|
| Monitoring                              | Fridge temperature   | Displays the current temperature setting of the fridge.                              |
|   | Freezer temperature  | Displays the current temperature setting of the freezer.                             |
| Functions                               | Power Cool (applicable models only)  | You can turn Power Cool on or off, and check the current settings.                   |
|   | Power Freeze   | You can turn Power Freeze on or off, and check the current settings.                 |
|   | Fridge temperature   | You can set the desired temperature of the fridge.                                   |
|   | Freezer temperature  | You can set the desired temperature of the freezer.                                  |
| Alarms                                  | Abnormally high temperature  | This alarm is triggered when the fridge or freezer has abnormally high temperatures. |
|   | Door opening   | This alarm is triggered if the door is open for more than 2 minutes.                 |
| AI Energy Mode (applicable models only) | <p>You can turn on or off the AI Energy Mode under the Energy menu in the SmartThings app.</p> <p>You can check the status of the AI Energy Mode on the SmartThings app.</p> <p>On some models, the  icon appears on the main panel to indicate that AI Energy Mode is operating. (applicable models only)</p> <p>Turning on the AI Energy Mode decreases energy consumption, but it may also reduce the cooling performance.</p> |  |

## Security updates information

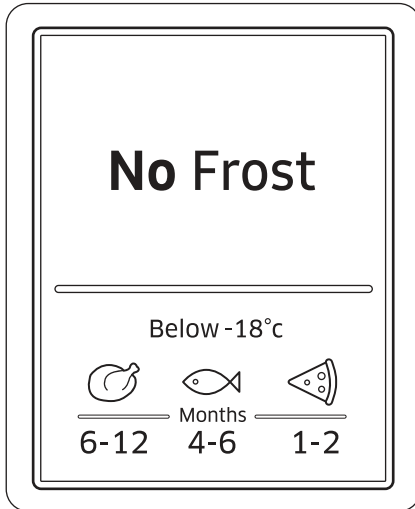
Security updates are provided to strengthen the security of your device and protect your personal information. For more information on security updates, visit <https://security.samsungda.com>.

\* The website supports only some languages.

---

## Storage information

---



The numbers marked in the bottom section of this figure indicate the storage period for the immediately above food item. For example, 4-6 months for fish.

### To freeze food

1. Wrap the food airtight with suitable wrapping materials.
2. Seal the wrapping.
3. Label the wrapping with the content and date.

### Wrapping materials

- Materials suitable for wrapping food: plastic film, polyethylene blown film, aluminium foil, and freezer tins.
- Materials not suitable for wrapping food: wrapping paper, greaseproof paper, cellophane, food garbage bags, and used shopping bags.

### Sealing materials

Rubber bands, plastic clips, string, cold-resistant adhesive tape or similar. Bags and polyethylene blown film can be sealed with a film sealer.

# Operations

---

## Storage period of frozen food

The storage period differs with food types and storing temperatures. The following specification is based on a temperature of  $-18^{\circ}\text{C}$  ( $0^{\circ}\text{F}$ ):

- Fresh poultry (whole chickens), fresh meat (steaks, roasts): up to 12 months
- Fish (lean fish, cooked fish), fresh shrimp, scallops, squid: up to 6 months
- Pizza, sausage: up to 2 months

### NOTE

For more information, visit the FDA web site (<http://www.fda.gov/>).

## Thawing

Frozen food can be thawed in the following ways:

- Naturally at room temperatures
- Naturally in the fridge
- By using an electric oven with or without heat support
- By using a microwave oven

### NOTE

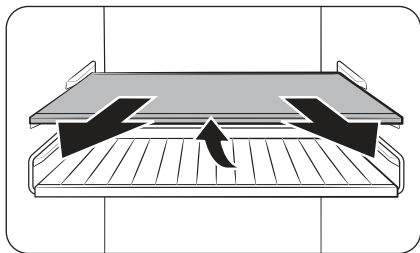
- Do not refreeze thawed food. Some parts of the food may not freeze completely.
- Do not store frozen food for longer than the max storage period.



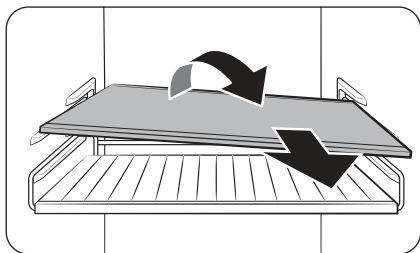
# Maintenance

## Handle and care

### Shelves (fridge/freezer) / Shelf Wine (applicable models only)



1. Pull out the shelf (or shelf wine) a little. Then, while lifting the rear side, pull out.

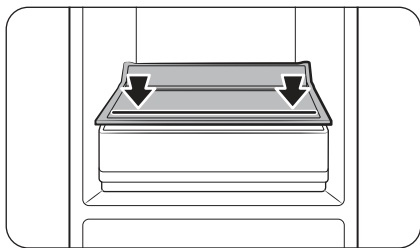


2. Twist the shelf (or shelf wine) diagonally to remove.

#### ⚠ CAUTION

- The shelf must be inserted correctly. Do not insert upside down.
- Glass containers may scratch the surface of glass shelves.
- Do not insert a shelf in the shelf wine position. This may damage the refrigerator. (applicable models only)

### Vegetable shelf (applicable models only)

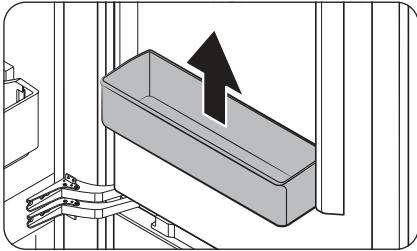


- If your model has just one drawer in the fridge, the vegetable shelf just above the drawer has a line printed on it. When you store items on the vegetable shelf, make sure you put the items within the printed line.

# Maintenance

---

## Fridge door bin / Variety door bin

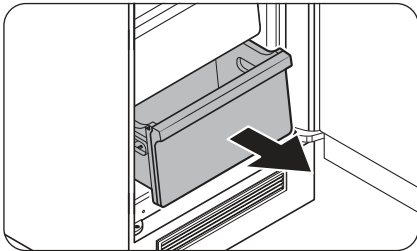


Hold the door bin with both hands, and then lift up to remove.

**⚠ CAUTION**

To prevent accidents, empty the door bins before removing

## Fridge drawer / Freezer drawer



Gently lift up the front of the drawer and slide out.

---

## Cleaning

---

### Interior and exterior

#### **WARNING**

- Do not use benzene, thinner, vinegar, liquid bleach, baking soda, citric, salt mixtures or home/car detergent such as Clorox™ for cleaning purposes. They may damage the surface of the refrigerator and cause a fire.
- Do not spray water onto the refrigerator. This may cause electric shock.

Regularly use a dry cloth to remove all foreign substances such as dust or water from the power plug terminals and contact points.

1. Unplug the power cord.
2. Use a moistened, soft, lint-free cloth or paper towel to clean the refrigerator's interior and exterior.
3. When done, use a dry cloth or paper towel to dry well.
4. Plug in the power cord.

## Replacement

---

### LED Lamps

To replace the lamps of the refrigerator, contact a local Samsung service centre.

#### **WARNING**

- The lamps are not user-serviceable. Do not attempt to replace a lamp yourself. This can cause electric shock.

### Lamp (Light Source)

This product contains a light source of energy efficiency class <G>.

The lamp(s) and/or control gear(s) are not user-serviceable. To replace the lamp(s) and/or control gear(s) in the product, contact a local Samsung service centre.

For detailed instructions on replacing lamp(s) or control gear(s) in your product, visit the Samsung website (<http://www.samsung.com>), go to Support > Support home, and then enter the model name.

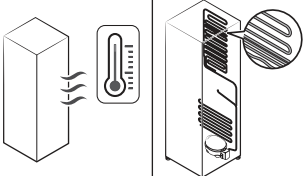
For detailed instructions on dismantling lamp(s) and/or control gear(s), simply follow the replacement instruction reached as described above.

# Troubleshooting

Before calling for service, review the checkpoints below. Any service calls regarding normal situations (No Defect Cases) will be charged to users.

## General

### Temperature

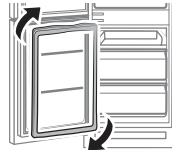
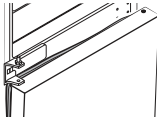
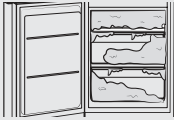
| Symptom   | Possible causes  | Solution   |
|---|--|--|
| Fridge/freezer does not operate.<br>Fridge/freezer temperature is warm. | <ul style="list-style-type: none"> <li>Power cord is not plugged in properly.</li> </ul>                                   | <ul style="list-style-type: none"> <li>Properly plug in the power cord.</li> </ul>   |
|   | <ul style="list-style-type: none"> <li>Temperature control is not set correctly.</li> </ul>                                | <ul style="list-style-type: none"> <li>Set the temperature lower.</li> </ul>   |
|   | <ul style="list-style-type: none"> <li>Refrigerator is located near a heat source or direct sunlight.</li> </ul>           | <ul style="list-style-type: none"> <li>Keep the refrigerator away from direct sunlight or a heat source.</li> </ul>  |
|   | <ul style="list-style-type: none"> <li>Not enough clearance between refrigerator and sides/rear.</li> </ul>                | <ul style="list-style-type: none"> <li>Make sure to secure at least 7 mm of space from the rear and side walls of the cabinet.</li> </ul>  |
|   | <ul style="list-style-type: none"> <li>Vacation mode is activated.</li> </ul>  | <ul style="list-style-type: none"> <li>Deactivate vacation mode.</li> </ul>  |
|   | <ul style="list-style-type: none"> <li>The refrigerator is overloaded. Food is blocking the refrigerator vents.</li> </ul> | <ul style="list-style-type: none"> <li>Do not overload the refrigerator. Do not allow food to block ventilation.</li> </ul>  |
| Fridge/freezer is over-cooling.   | <ul style="list-style-type: none"> <li>Temperature control is not set correctly.</li> </ul>                                | <ul style="list-style-type: none"> <li>Set the temperature higher.</li> </ul>  |
| Interior wall is hot.   | <ul style="list-style-type: none"> <li>Refrigerator has heat-proof piping in the interior wall.</li> </ul>                 | <ul style="list-style-type: none"> <li>To prevent condensation from forming, the refrigerator has heat-proof piping in the front corners. If the ambient temperature rises, this equipment may not work effectively. This is not a system failure.</li> </ul>  |

## Odors

| Symptom                 | Possible causes   | Solution  |
|-------------------------|---|---|
| Refrigerator has odors. | <ul style="list-style-type: none"> <li>Spoiled food.</li> </ul>           | <ul style="list-style-type: none"> <li>Clean the refrigerator and remove any spoiled food.</li> </ul> |
|                         | <ul style="list-style-type: none"> <li>Food with strong odors.</li> </ul> | <ul style="list-style-type: none"> <li>Make sure strong smelling food is wrapped airtight.</li> </ul> |

## Frost

| Symptom                                   | Possible causes  | Solution  |
|---|--|---|
| Frost around the vents.                   | <ul style="list-style-type: none"> <li>Food is blocking the vents.</li> </ul>  | <ul style="list-style-type: none"> <li>Make sure no food blocks the refrigerator vents.</li> </ul>                  |
| Frost on interior walls.                  | <ul style="list-style-type: none"> <li>Door is not closed properly.</li> </ul>   | <ul style="list-style-type: none"> <li>Make sure food does not block the door. Clean the door gasket.</li> </ul>    |
| Fruits or vegetables are frozen.          | <ul style="list-style-type: none"> <li>Fruits or vegetables are stored in the Fresh/Chef Zone.</li> </ul>  | <ul style="list-style-type: none"> <li>The Fresh/Chef Zone is only for meat/fish.</li> </ul>                        |
| Excessive frost build-ups in the freezer. | <ul style="list-style-type: none"> <li>The door is not sealing properly because the door gasket was not reversed after reversing the doors.</li> </ul> | <ul style="list-style-type: none"> <li>Detach the door gasket and then attach it after rotating it 180°.</li> </ul> |



# Troubleshooting

---

## Condensation

| Symptom                                   | Possible causes   | Solution  |
|---|---|---|
| Condensation forms on the interior walls. | <ul style="list-style-type: none"><li>If door is left open, moisture enters the refrigerator.</li></ul> | <ul style="list-style-type: none"><li>Remove the moisture and do not open the door for a long time.</li></ul> |
|   | <ul style="list-style-type: none"><li>Food with high moisture content.</li></ul>                        | <ul style="list-style-type: none"><li>Make sure food is wrapped airtight.</li></ul>                           |

## Alarm

| Symptom          | Possible causes  | Solution   |
|------------------|--|--|
| An alarm sounds. | <ul style="list-style-type: none"><li>If the door is left open for more than two minutes, the alarm sounds until the door is closed.</li></ul> | <ul style="list-style-type: none"><li>Press any button to turn off the alarm. Contact a local Samsung service centre if the alarm sounds again after 12 hours.</li></ul> |

---

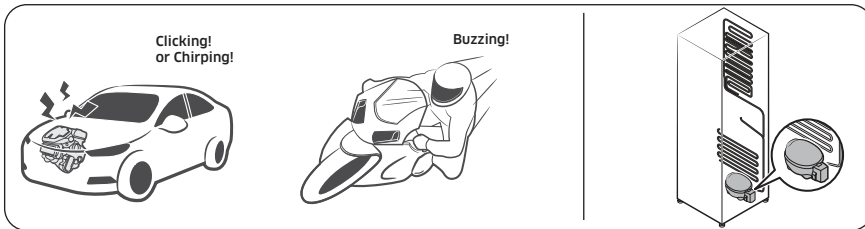
## Do you hear abnormal sounds from the refrigerator?

---

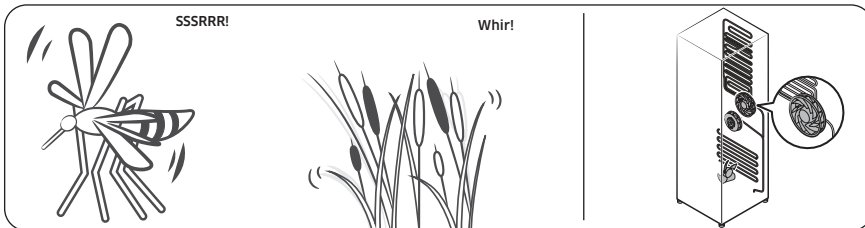
Before calling for service, review the checkpoints below. Any service calls related to normal sounds will be charged to the user.

### These sounds are normal.

- When starting or ending an operation, the refrigerator may make sounds similar to a car engine igniting. As the operation stabilizes, the sounds will decrease.



- While the fan is operating, these sounds may occur. When the refrigerator reaches the set temperature, no fan sound will occur.

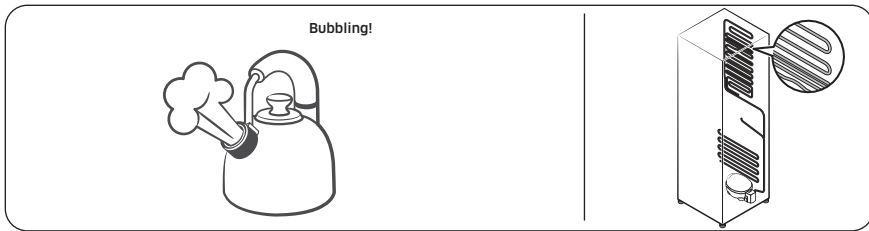


- During a defrost cycle, water may drip on the defrost heater, causing sizzling sounds.

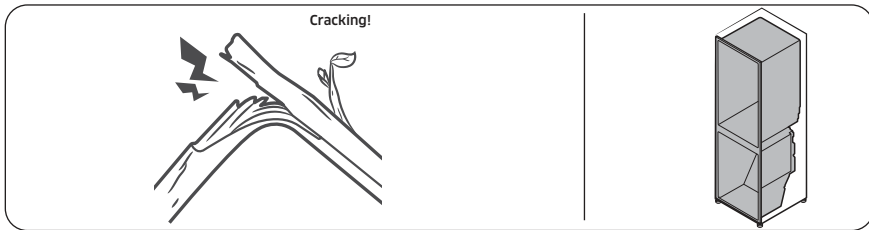


# Troubleshooting

- As the refrigerator cools or freezes, refrigerant gas moves through sealed pipes, causing bubbling sounds.




- As the refrigerator temperature increases or decreases, plastic parts contract and expand, creating knocking noises. These noises occur during the defrosting cycle or when electronic parts are working.



- For ice maker models: When the water valve opens to fill the ice maker, buzzing sounds may occur.
- Because of pressure equalizing when opening and closing the refrigerator door, whooshing sounds may occur.



## SmartThings (applicable models only)

| Symptom   | Action   |
|---|--|
| Could not find "SmartThings" in the app market.   | <ul style="list-style-type: none"> <li>The supporting software version of the SmartThings app is subject to change according to the OS supporting policy the manufacturer provides. In addition, as for the SmartThings app or the functions that the app supports, the new application update policy on the existing OS version can be suspended due to usability or security reasons.</li> </ul>                               |
| The SmartThings app fails to operate.   | <ul style="list-style-type: none"> <li>The SmartThings app is available for applicable models only.</li> <li>The old Samsung Smart Refrigerator app cannot connect with Samsung Smart Home models.</li> </ul>  |
| The SmartThings app is installed but is not connected to my refrigerator.   | <ul style="list-style-type: none"> <li>You must log into your Samsung account to use the app.</li> <li>Make sure that your router is operating normally.</li> <li>If the Wi-Fi icon on the refrigerator's display is off, this indicates that no network connection has been established yet. In this case, use the SmartThings app to connect and register your refrigerator to the access point (AP) of your house.</li> </ul> |
| Could not log into the app.   | <ul style="list-style-type: none"> <li>You must log into your Samsung account to use the app.</li> <li>If you don't have a Samsung account, follow the app's onscreen instructions to create one.</li> </ul>   |
| An error message appears when I try to register my refrigerator.  | <ul style="list-style-type: none"> <li>Easy Connection may fail due to the distance from your access point (AP) or electrical interference from the surrounding environment. Wait a moment and try again.</li> </ul>   |
| The SmartThings app is successfully connected to my refrigerator but does not run.                                  | <ul style="list-style-type: none"> <li>Exit and restart the SmartThings app, or disconnect and reconnect the router.</li> <li>Power off the refrigerator, and then power it on again after 1 minute.</li> </ul>  |
| The Wi-Fi icon is blinking. (  ) | <ul style="list-style-type: none"> <li>Connect your refrigerator with the SmartThings app before use. When the connection is made successfully, the indicator stops blinking.               <ul style="list-style-type: none"> <li>If you fail to make connection or don't want to use the app, press and hold the <b>Fridge</b> button for 10 seconds. The indicator stops blinking.</li> </ul> </li> </ul>                     |

# Appendix

## Safety Instruction

- For the most efficient use of energy, please keep the all inner fittings such as baskets, drawers, shelves and ice cube tray on the position supplied by manufacturer.

## Install Instruction

### For refrigerating appliances with climate class

Depending on the climate class, This refrigerating appliance is intended to be used at ambient temperatures range as specified following table.

The climate class can be found on the rating plate. The product may not operate properly at temperatures outside of the specific range.

You can find climate class on label inside of your refrigerator

### Effective temperature range

The refrigerator is designed to operate normally in the temperature range specified by its class rating.

| Class              | Symbol | Ambient Temperature range (°C) |            |
|--------------------|--------|--------------------------------|------------|
|                    |        | IEC 62552 (ISO 15502)          | ISO 8561   |
| Extended Temperate | SN     | +10 to +32                     | +10 to +32 |
| Temperate          | N      | +16 to +32                     | +16 to +32 |
| Subtropical        | ST     | +16 to +38                     | +18 to +38 |
| Tropical           | T      | +16 to +43                     | +18 to +43 |

### NOTE

The cooling performance and power consumption of the refrigerator may be affected by the ambient temperature, the door-opening frequency, and the location of the refrigerator. We recommend adjusting the temperature settings as appropriate.

---

## Temperature Instruction

---

### Recommended Temperature

The optimal temperature setting for food storage:

- Fridge: 3 °C
- Freezer: -19 °C

#### NOTE

The optimal temperature setting of each compartment depends on the ambient temperature. Above optimal temperature is based on the ambient temperature of 25 °C.

### Power Cool

Power Cool speeds up the cooling process at maximum fan speed. The fridge keeps running at full speed for two and a half hours and then returns to the previous temperature.

### Power Freeze

Power Freeze speeds up the freezing process at maximum fan speed. The freezer keeps running at full speed for 50 hours and then returns to the previous temperature. To freeze large amounts of food, activate Power Freeze for at least 20 hours before putting food in the freezer.

#### NOTE

When you use this function the energy consumption of the refrigerator will increase. Remember to turn it off when you don't need it and return the freezer to your original temperature setting.

### How to store for best preservation (applicable models only)

Cover foods to retain moisture and prevent them from picking up odors from other foods. A large pot of food like soup or stew should be divided into small portions and put in shallow containers before being refrigerated. A large cut of meat or whole poultry should be divided into smaller pieces or placed in shallow containers before refrigerating.

### Placement of Foods

|  |  |
|--|--|
| Shelves  | Shelves should be adjustable to accommodate a variety of packages.   |
| Specialized compartment (applicable models only) | Sealed crisper drawers provide an optimal storage environment for fruits and vegetables. Vegetables require higher humidity conditions while fruits require lower humidity conditions.<br>Crispers are equipped with controls devices to control the humidity level. (*Depending on model and options)<br>An adjustable temperature meat drawer maximizes the storage time of meats and cheeses. |

# Appendix

|                     |   |
|---------------------|---|
| Stored on the door  | Don't store perishable foods in the door. Eggs should be stored in the carton on a shelf. The temperature of the storage bins in the door fluctuate more than the temperature in the cabinet. Keep the door closed as much as possible. |
| Freezer Compartment | You can store frozen food, make ice cubes and freeze fresh food in the freezer compartment.   |

## NOTE

Freeze fresh, undamaged food only. Keep food which is to be frozen away from food which is already frozen. To prevent food from losing its flavour or drying out, place in airtight containers.

### Refrigerator & Freezer Storage Chart

The freshness longevity depends on temperature and exposure to moisture. Since product dates aren't a guide for safe use of a product, consult this chart and follow these tips.

#### Milk products

| Product        | Refrigerator | Freezer         |
|----------------|--------------|-----------------|
| Milk           | 1 week       | 1 month         |
| Butter         | 2 weeks      | 12 months       |
| Ice cream      | -            | 2-3 weeks       |
| Natural cheese | 1 month      | 4-6 months      |
| Cream cheese   | 2 weeks      | Not recommended |
| Yogurt         | 1 month      | -               |

#### Meat

| Product                              | Refrigerator | Freezer    |
|--------------------------------------|--------------|------------|
| Fresh roasts, steaks, chops          | 3-4 days     | 2-3 months |
| Fresh ground meat, stew meat         | 1-2 days     | 3-4 months |
| Bacon                                | 7 days       | 1 month    |
| Sausage, Raw from pork, beef, turkey | 1-2 days     | 1-2 months |

### Poultry / Eggs

| Product              | Refrigerator | Freezer         |
|----------------------|--------------|-----------------|
| Fresh poultry        | 2 days       | 6-8 months      |
| Poultry salad        | 1 day        | -               |
| Eggs, Fresh in shell | 2-4 weeks    | Not recommended |

### Fish / Seafood

| Product               | Refrigerator | Freezer         |
|-----------------------|--------------|-----------------|
| Fresh fish            | 1-2 days     | 3-6 months      |
| Cooked fish           | 3-4 days     | 1 month         |
| Fish salad            | 1 day        | Not recommended |
| Dried or pickled fish | 3-4 weeks    | -               |

### Fruits

| Product           | Refrigerator | Freezer     |
|-------------------|--------------|-------------|
| Apples            | 1 month      | -           |
| Peaches           | 2-3 weeks    | -           |
| Pineapple         | 1 week       | -           |
| Other fresh fruit | 3-5 days     | 9-12 months |

### Vegetables

| Product   | Refrigerator | Freezer |
|---|--------------|---------|
| Asparagus   | 2-3 days     | -       |
| Broccoli, Brussels sprouts, green peas, mushrooms | 3-5 days     | -       |
| Cabbage, cauliflower, celery, cucumbers, lettuce  | 1 week       | -       |
| Carrots, beets, radishes                          | 2 weeks      | -       |

# Appendix

---

## Information for model and ordering spare parts

---

### Model information

To access energy labelling information about this product on the European Product Registry for Energy Labelling (EPREL), scan QR-Code on the energy label. You can find QR-Code on the energy label in your product box.

### Part information

- The minimum period during which spare parts, necessary for the repair of the appliance, are available
  - 7 Years thermostats, temperature sensors, printed circuit boards and light sources, door handles, door hinges, trays, baskets (boxes or drawers)
  - 10 Years door gaskets
- The minimum duration of the guarantee of the refrigerating appliance offered by the manufacturer 24 Months.
- Relevant information for ordering spare parts, directly or through other channels provided by the manufacturer, importer or authorized representative
- You can find professional repair information on <http://samsung.com/support>. You can find user servicing manual on <http://samsung.com/support>.

# Open Source Announcement

---

## Open Source Announcement

---

The software included in this product contains open source software. You may obtain the complete corresponding source code for a period of three years after the last shipment of this product by contacting our support team via <http://opensource.samsung.com> (Please use the "Inquiry" menu.)

It is also possible to obtain the complete corresponding source code in a physical medium such as a CD-ROM; a minimal charge will be required.

The following URL [http://opensource.samsung.com/opensource/COMMON\\_TZ6\\_0/seq/0](http://opensource.samsung.com/opensource/COMMON_TZ6_0/seq/0) leads to the open source license information as related to this product. This offer is valid to anyone in receipt of this information.



## NOTE

Hereby, Samsung declares that this radio equipment is in compliance with Directive 2014/53/EU and with the relevant statutory requirements in the UK.

The full text of the EU declaration of conformity and the UK declaration of conformity is available at the following internet address: The official Declaration of conformity may be found at <http://www.samsung.com>, go to Support > Search Product Support and enter the model name.

|           | Frequency range | Transmitter power (Max) |
|-----------|-----------------|-------------------------|
| Wi-Fi     | 2412 - 2472 MHz | 20 dBm                  |
| Bluetooth | 2402 - 2480 MHz | 20 dBm                  |

|             |   |   |
|-------------|---|---|
| FRANCE      | 01 48 63 00 00  | <a href="http://www.samsung.com/fr/support">www.samsung.com/fr/support</a>  |
| GERMANY     | 06196 77 555 77   | <a href="http://www.samsung.com/de/support">www.samsung.com/de/support</a>  |
| LUXEMBURG   | 261 03 710  | <a href="http://www.samsung.com/be_fr/support">www.samsung.com/be_fr/support</a>  |
| NETHERLANDS | 088 90 90 100   | <a href="http://www.samsung.com/nl/support">www.samsung.com/nl/support</a>  |
| BELGIUM     | 02-201-24-18  | <a href="http://www.samsung.com/be/support">www.samsung.com/be/support</a> (Dutch)<br><a href="http://www.samsung.com/be_fr/support">www.samsung.com/be_fr/support</a> (French) |
| NORWAY      | 21629099  | <a href="http://www.samsung.com/no/support">www.samsung.com/no/support</a>  |
| DENMARK     | 707 019 70  | <a href="http://www.samsung.com/dk/support">www.samsung.com/dk/support</a>  |
| FINLAND     | 030-6227 515  | <a href="http://www.samsung.com/fi/support">www.samsung.com/fi/support</a>  |
| SWEDEN      | 0771-400 300  | <a href="http://www.samsung.com/se/support">www.samsung.com/se/support</a>  |
| CYPRUS      | 8009 4000 only from landline, toll free   | <a href="http://www.samsung.com/gr/support">www.samsung.com/gr/support</a>  |
| GREECE      | 80111-SAMSUNG (80111 726 7864) only from land line<br>(+30) 210 6897691 from mobile and land line |   |
| ITALIA      | 800-SAMSUNG (800.7267864)   | <a href="http://www.samsung.com/it/support">www.samsung.com/it/support</a>  |
| PORTUGAL    | 210 608 098<br>Chamada para a rede fixa nacional<br>Dias úteis das 9h às 20h                      | <a href="http://www.samsung.com/pt/support">www.samsung.com/pt/support</a>  |
| SPAIN       | 91 175 00 15  | <a href="http://www.samsung.com/es/support">www.samsung.com/es/support</a>  |





# Réfrigérateur

---

## Manuel d'utilisation

---

Appareil encastré

**SAMSUNG**

# Sommaire

---

|   |           |
|---|-----------|
| <b>Consignes de sécurité</b>  | <b>4</b>  |
| Ce que vous devez savoir concernant les consignes de sécurité                                       | 4         |
| Consignes et symboles de sécurité importants :  | 7         |
| Mesures importantes de sécurité   | 8         |
| Symboles d'avertissement importants concernant le transport et le lieu d'installation de l'appareil | 12        |
| Avertissements importants concernant l'installation   | 12        |
| Consignes d'installation  | 17        |
| Avertissements importants concernant l'utilisation  | 18        |
| Consignes d'utilisation   | 23        |
| Consignes de nettoyage  | 26        |
| Avertissements importants concernant la mise au rebut   | 28        |
| Conseils complémentaires pour une utilisation appropriée  | 29        |
| Instructions concernant la réglementation DEEE  | 31        |
| <b>Installation</b>   | <b>32</b> |
| Présentation rapide du réfrigérateur  | 32        |
| Étiquette de température (modèles applicables uniquement)   | 33        |
| Installation étape par étape  | 34        |
| <b>Opérations</b>   | <b>45</b> |
| Panneau principal   | 45        |
| SmartThings (modèles applicables uniquement)  | 50        |
| Informations relatives au stockage  | 53        |
| <b>Maintenance</b>  | <b>55</b> |
| Utilisation et entretien  | 55        |
| Nettoyage   | 57        |
| Remplacement  | 57        |
| <b>Dépannage</b>  | <b>58</b> |
| Généralités   | 58        |
| Entendez-vous des sons anormaux provenant du réfrigérateur ?  | 61        |
| SmartThings (modèles applicables uniquement)  | 63        |
| <b>Annexe</b>   | <b>64</b> |
| Consignes de sécurité   | 64        |
| Instructions d'installation   | 64        |
| Consignes relatives à la température  | 65        |
| Informations du modèle et commande de pièces de rechange  | 68        |

---

Open Source Announcement

69

Open Source Announcement

69

# Consignes de sécurité

---

Avant d'utiliser votre nouveau réfrigérateur Samsung, veuillez lire attentivement ce manuel afin de vous assurer que vous savez comment utiliser de manière sûre et efficace ses différentes fonctions et fonctionnalités.

## Ce que vous devez savoir concernant les consignes de sécurité

---

- Les avertissements et les consignes importantes de sécurité contenus dans ce manuel ne prétendent pas couvrir toutes les situations susceptibles de se produire. Il est de votre responsabilité de faire preuve de bon sens et de prudence lors de l'installation, de l'entretien et du fonctionnement de l'appareil.
- Les consignes d'utilisation suivantes concernent plusieurs modèles ; il est donc possible que les caractéristiques de votre réfrigérateur soient légèrement différentes de celles spécifiées dans ce manuel et que certains symboles d'avertissement ne s'appliquent pas. Pour toute question ou doute, contactez votre centre de service le plus proche ou recherchez de l'aide et des informations en ligne sur [www.samsung.com](http://www.samsung.com).
- Le gaz réfrigérant utilisé est le R-600a ou R-134a. Vérifiez le gaz réfrigérant utilisé dans votre appareil sur l'étiquette du compresseur située à l'arrière de l'appareil ou sur l'étiquette signalétique située à l'intérieur du réfrigérateur. Lorsque cet appareil contient du gaz inflammable (gaz réfrigérant R-600a), veuillez contacter les autorités locales pour obtenir des renseignements sur la mise au rebut en toute sécurité de votre appareil.

- 
- Afin d'éviter la création d'un mélange gaz-air inflammable lorsqu'une fuite se produit dans le circuit frigorifique, la taille de la pièce dans laquelle l'appareil peut être installé dépend de la quantité de gaz réfrigérant utilisée.
  - Il est dangereux pour quiconque n'est pas un agent d'entretien agréé d'entretenir cet appareil.
  - Ne démarrez jamais un appareil qui présente des signes d'endommagement. En cas de doutes, contactez votre revendeur. La pièce doit avoir un volume de 1 m<sup>3</sup> pour chaque 8 g de gaz réfrigérant R-600a à l'intérieur de l'appareil.

La quantité de gaz réfrigérant que votre appareil peut contenir est indiquée sur la plaque signalétique située à l'intérieur de l'appareil.

- Le gaz réfrigérant qui pourrait s'échapper des tuyaux risquerait de s'enflammer ou de provoquer des lésions oculaires. En cas de fuite de réfrigérant au niveau des tuyaux, n'approchez pas de flamme nue, éloignez tout objet inflammable de l'appareil et aérez immédiatement la pièce.
  - Le non-respect de cette consigne risquerait de provoquer un incendie ou une explosion.
- Pour éviter de contaminer les aliments, veuillez respecter les instructions suivantes :
  - Ouvrir la porte pendant de longues périodes peut entraîner une hausse considérable de la température dans les compartiments de l'appareil.
  - Nettoyez régulièrement les surfaces pouvant entrer en contact avec des aliments et les systèmes de vidange accessibles.

## Consignes de sécurité

---

- Nettoyez les réservoirs d'eau s'ils n'ont pas été utilisés depuis 48 h ; rincez le système d'eau relié à une source d'alimentation en eau si vous n'avez pas tiré d'eau depuis 5 jours.
- Placez la viande crue et le poisson dans des récipients adaptés à l'intérieur du réfrigérateur afin qu'ils n'entrent pas en contact avec d'autres aliments ou qu'ils ne gouttent pas dessus.
- Les compartiments à deux étoiles pour aliments surgelés sont adaptés pour stocker des aliments pré-congelés, pour ranger ou faire de la glace et pour créer des glaçons.
- Les compartiments à une, deux et trois étoiles ne sont pas adaptés pour congeler des aliments frais.
- Si l'appareil de réfrigération est laissé vide pendant de longues périodes, mettez-le hors tension, faites-le dégeler, nettoyez-le, laissez-le sécher et maintenez la porte ouverte afin d'éviter que des moisissures ne se développent à l'intérieur de l'appareil.

---

## Consignes et symboles de sécurité importants :

---

Veuillez suivre toutes les consignes de sécurité indiquées dans ce manuel. Ce manuel utilise les symboles de sécurité suivants.

### **AVERTISSEMENT**

Pratiques inadaptées ou dangereuses susceptibles de causer des blessures graves, voire mortelles, et des dommages matériels.

### **ATTENTION**

Pratiques inadaptées ou dangereuses susceptibles de causer des blessures graves et/ou des dommages matériels.

### **REMARQUE**

Informations utiles qui aident l'utilisateur à comprendre ou à utiliser au mieux son réfrigérateur.

Ces symboles d'avertissement ont pour but d'éviter tout risque de blessure pour vous ou d'autres personnes.

Respectez-les en toutes circonstances.

Lisez attentivement la présente section et conservez le manuel en lieu sûr afin de pouvoir vous y reporter ultérieurement.

# Consignes de sécurité

---

## Mesures importantes de sécurité

---



**AVERTISSEMENT** : risque d'incendie / matières inflammables

### **AVERTISSEMENT**

- Lorsque vous positionnez l'appareil, assurez-vous que le cordon d'alimentation n'est ni endommagé, ni coincé.
- Ne placez pas plusieurs prises portables ou alimentations électriques portables à l'arrière de l'appareil.
- N'obstruez pas les ouvertures de ventilation à l'intérieur du réfrigérateur ou de la structure encastrée.
- N'utilisez pas d'appareil mécanique ni de dispositif susceptible d'accélérer le processus de décongélation, autres que ceux recommandés par le fabricant.
- N'endommagez pas le circuit frigorifique.
- N'utilisez pas d'appareils électriques à l'intérieur des compartiments de stockage des aliments de l'appareil, sauf si cela est recommandé par le fabricant.
  
- Cet appareil n'est pas conçu pour être utilisé par des personnes (y compris des enfants) ayant des capacités physiques, sensorielles ou mentales réduites, ou ayant un manque d'expérience et de connaissances, à moins qu'elles soient surveillées ou qu'elles aient reçu les instructions nécessaires concernant l'utilisation de cet appareil de la part d'une personne responsable de leur sécurité.



- 
- Cet appareil n'est pas destiné à être utilisé par des enfants de moins de 8 ans ou des personnes ayant des capacités physiques, sensorielles ou mentales réduites, ou un manque d'expérience et de connaissances, à moins qu'elles soient surveillées ou qu'elles aient reçu les instructions nécessaires concernant l'utilisation en toute sécurité de cet appareil et qu'elles comprennent les risques impliqués. Les enfants ne doivent pas jouer avec l'appareil. Le nettoyage et la maintenance de l'appareil ne doivent pas être effectués par des enfants sans surveillance. Les enfants de 3 à 8 ans sont autorisés à charger et décharger les appareils de réfrigération.
  - Si le cordon d'alimentation est endommagé, il doit être remplacé par le fabricant, son fournisseur de service ou toute autre personne aux qualifications similaires afin d'éviter tout risque.
  - La prise de courant doit être facilement accessible de sorte que vous puissiez rapidement débrancher l'appareil de l'alimentation en cas d'urgence.
    - Elle doit se situer en dehors de la zone arrière de l'appareil.
  - Dans cet appareil, ne stockez pas de substances explosives telles que des aérosols avec un propulseur inflammable.
  - Si l'appareil est équipé d'ampoules DEL, ne démontez pas vous-même les caches d'ampoules et les ampoules.
    - Contactez un centre de service Samsung.
    - Utilisez uniquement les ampoules DEL fournies par le fabricant ou son réparateur agréé.
  - Contactez le centre de service le plus proche lorsque l'ampoule DEL intérieure ou extérieure est grillée.

## Consignes de sécurité

---

- Pour une utilisation optimale de l'énergie, veuillez laisser tous les accessoires internes tels que les paniers, les tiroirs, les clayettes sur leur position indiquée par le fabricant.
- Pour optimiser la consommation d'énergie de cet appareil, laissez l'ensemble des clayettes, tiroirs et bacs dans leur position d'origine.

### Mesures pour réduire la consommation d'énergie

- Installez l'appareil dans une pièce sèche et fraîche, correctement ventilée.
- Vérifiez qu'il n'est pas exposé à la lumière directe du soleil et ne le placez jamais à proximité d'une source de chaleur (un radiateur par exemple).
  - Pour obtenir une meilleure efficacité énergétique, il est conseillé de ne pas bloquer les orifices de ventilation ou les grilles de l'appareil.
  - Laissez refroidir les aliments chauds avant de les placer à l'intérieur de l'appareil.
  - Placez les aliments surgelés dans le réfrigérateur pour les laisser décongeler. Les aliments surgelés peuvent ainsi servir à refroidir les aliments stockés dans le réfrigérateur.
  - Veuillez à refermer la porte rapidement lorsque vous mettez des aliments dans le réfrigérateur ou lorsque vous les en sortez.
  - Ceci permet de réduire la formation de glace à l'intérieur du congélateur.
  - Nettoyez régulièrement l'arrière de votre réfrigérateur. La poussière augmente sa consommation d'énergie.

- 
- Ne baissez pas inutilement la température intérieure.
  - Vérifiez que le système d'évacuation de l'air à la base et à l'arrière du réfrigérateur n'est pas obstrué. Ne recouvrez pas les ouvertures de ventilation.
  - Laissez un espace suffisant tout autour de l'appareil (à droite, à gauche, à l'arrière et au-dessus) au moment de l'installation. Ceci vous permettra de réduire sa consommation d'énergie et ainsi vos factures.
  - Sélectionnez une profondeur de cavité de 560 mm. Une profondeur de cavité inférieure entraînera une hausse de la consommation d'énergie.

**Cet appareil est destiné à être utilisé dans les applications domestiques et similaires telles que :**

- les zones de cuisine pour le personnel de magasins, de bureaux et d'autres environnements de travail ;
- les fermes et clients d'hôtels, motels et autres environnements de type résidentiel ;
- les environnements de type « chambres d'hôtes » ;
- les applications de restauration et similaires sans vente au détail.

# Consignes de sécurité

---

## Symboles d'avertissement importants concernant le transport et le lieu d'installation de l'appareil

---

### **AVERTISSEMENT**

- Veillez à ce qu'aucune pièce du circuit frigorifique ne soit endommagée pendant le transport ou l'installation de l'appareil.
  - Risque d'incendie ou de lésions oculaires en cas de fuite de réfrigérant. En cas de fuite, n'approchez pas de flamme nue ou de matière potentiellement inflammable et aérez la pièce pendant plusieurs minutes.
  - Cet appareil contient une faible quantité de réfrigérant isobutane (R-600a), un gaz naturel présentant une compatibilité écologique élevée, mais qui est aussi un combustible. Veillez à ce qu'aucune pièce du circuit frigorifique ne soit endommagée pendant le transport ou l'installation de l'appareil.

## Avertissements importants concernant l'installation

---

### **AVERTISSEMENT**

- N'installez pas le réfrigérateur dans un lieu humide ou dans un lieu où il est susceptible d'être en contact avec de l'eau.
  - Une détérioration de l'isolation sur des composants électriques est susceptible de provoquer une électrocution ou un incendie.
- N'installez pas le réfrigérateur dans un endroit exposé à la lumière directe du soleil ou à proximité d'une cuisinière, d'un appareil de chauffage ou d'autres appareils.

- 
- Ne branchez pas plusieurs appareils sur la même multiprise. Le réfrigérateur doit toujours être branché sur une prise électrique indépendante dotée d'une tension nominale correspondant à celle figurant sur la plaque signalétique du réfrigérateur.
    - Vous obtiendrez de meilleurs résultats et éviterez également une surcharge des circuits électriques du domicile (risque d'incendie dû à une surchauffe des câbles).
  - Ne branchez pas la fiche d'alimentation dans une prise murale mal fixée.
    - Cela risquerait d'entraîner une électrocution ou un incendie.
  - N'utilisez pas de cordon d'alimentation craquelé ou endommagé sur sa longueur ou à l'une de ses extrémités.
  - Ne pliez pas le cordon d'alimentation à l'excès et ne posez pas d'objets lourds dessus.
  - Ne tirez pas ou ne pliez pas excessivement le cordon d'alimentation.
  - Ne tordez pas ou ne nouez pas le cordon d'alimentation.
  - N'accrochez pas le cordon d'alimentation sur un objet métallique, ne placez pas un objet lourd sur le cordon d'alimentation, n'insérez pas le cordon d'alimentation entre des objets, ou n'enfoncez pas le cordon d'alimentation dans l'espace situé derrière l'appareil.
  - Lorsque vous déplacez le réfrigérateur, assurez-vous de ne pas endommager ou rouler sur le cordon d'alimentation.
    - Risque d'électrocution ou d'incendie.

## Consignes de sécurité

---

- Ne débranchez jamais le réfrigérateur en tirant sur le cordon d'alimentation. Maintenez toujours fermement la fiche pour la débrancher de la prise de courant.
  - Tout dommage causé au cordon est susceptible d'entraîner un court-circuit, un incendie et/ou une électrocution.
- N'utilisez pas d'aérosols à proximité du réfrigérateur.
  - L'utilisation d'aérosols à proximité du réfrigérateur peut provoquer une explosion ou un incendie.
- N'installez pas cet appareil près d'une source de chaleur ou d'un matériau inflammable.
- N'installez pas cet appareil dans un endroit où des fuites de gaz sont susceptibles de se produire.
  - Risque d'électrocution ou d'incendie.
- Ce réfrigérateur doit être correctement situé et installé conformément aux instructions fournies dans le présent manuel, avant d'être utilisé.
- Branchez la fiche d'alimentation dans la bonne position, de façon à ce que le cordon pende vers le bas.
  - Si vous branchez la fiche d'alimentation à l'envers, le câble est susceptible de se rompre et de provoquer un incendie ou une électrocution.
- Assurez-vous que la fiche d'alimentation n'est pas écrasée ou endommagée par l'arrière du réfrigérateur.
- Gardez les matériaux d'emballage hors de portée des enfants.
  - Il y a un risque d'asphyxie si un enfant place les matériaux d'emballage sur sa tête.

- 
- N'installez pas cet appareil dans un lieu humide, huileux ou poussiéreux, ni dans un endroit exposé directement au soleil ou à l'eau (gouttes de pluie).
    - Une détérioration de l'isolation des composants électriques est susceptible de provoquer une électrocution ou un incendie.
  - Si vous constatez des traces de poussière ou d'eau dans le réfrigérateur, débranchez la fiche d'alimentation et contactez votre centre de service Samsung Electronics.
    - Sinon, il existe un risque d'incendie.
  - Ne montez pas sur l'appareil et ne placez pas d'objets (tels que du linge, des bougies allumées, des cigarettes allumées, de la vaisselle, des produits chimiques, des objets métalliques, etc.) sur celui-ci.
    - Le non-respect de cette consigne risque d'entraîner une électrocution, un incendie, des problèmes avec l'appareil ou des blessures.
  - Vous devez retirer toutes les pellicules protectrices en plastique avant de brancher l'appareil pour la première fois.
  - Les enfants ne doivent pas jouer ni avec les circlips utilisés pour le réglage de la porte ni avec les clips pour le tuyau d'eau.
    - Il y a un risque d'asphyxie si un enfant avale un circlip ou un clip pour le tuyau d'eau. Tenez les circlips et les clips pour le tuyau d'eau hors de portée des enfants.

## Consignes de sécurité

---

- Le réfrigérateur doit être correctement mis à la terre.
  - Veillez toujours à ce que le réfrigérateur soit branché à la terre avant de vérifier ou de réparer n'importe quelle partie de l'appareil. Les fuites électriques peuvent provoquer des électrocutions graves.
- N'utilisez jamais de conduits de gaz, de fils téléphoniques ou d'autres éléments susceptibles d'attirer la foudre pour relier l'appareil à la terre.
  - Vous devez mettre le réfrigérateur à la terre afin d'éviter les fuites électriques ou les électrocutions provoquées par les fuites de courant au niveau de l'appareil.
  - Le non-respect de cette consigne risque d'entraîner une électrocution, un incendie, une explosion ou des problèmes avec l'appareil.
- Branchez fermement la fiche dans la prise murale. N'utilisez pas de fiche d'alimentation endommagée, de cordon d'alimentation endommagé ou de prise murale mal fixée.
  - Risque d'électrocution ou d'incendie.
- Le fusible du réfrigérateur doit être changé par un technicien qualifié ou une entreprise de dépannage.
  - Le non-respect de cette consigne est susceptible de provoquer une électrocution ou des blessures corporelles.
- Cet appareil est un modèle encastré qui requiert une ventilation guidée. Pour éviter un risque d'explosion, assurez-vous de laisser de la place pour garantir la bonne ventilation.



- 
- Le fusible du réfrigérateur doit être changé par un technicien qualifié ou une entreprise de dépannage. Le non-respect de cette consigne est susceptible de provoquer une électrocution ou des blessures corporelles.

## Consignes d'installation

---

### **ATTENTION**

- Laissez un espace suffisant autour du réfrigérateur et installez celui-ci sur une surface plane.
  - Si le réfrigérateur n'est pas de niveau, l'efficacité et la durabilité du refroidissement peuvent en être affectées.
- Après l'installation et la mise sous tension, laissez l'appareil tourner à vide pendant 2 à 3 heures avant de placer des aliments à l'intérieur.
- Nous vous recommandons fortement de faire appel à un technicien qualifié ou à une société de services pour installer votre réfrigérateur.
  - Le non-respect de cette consigne risque d'entraîner une électrocution, un incendie, une explosion, des problèmes avec l'appareil ou des blessures.

# Consignes de sécurité

---

## Avertissements importants concernant l'utilisation

---

### **AVERTISSEMENT**

- Ne branchez pas la fiche d'alimentation si vous avez les mains mouillées.
  - Cela pourrait causer une électrocution.
- N'entrez pas d'objets sur le dessus de l'appareil.
  - Lors de l'ouverture ou de la fermeture de la porte, les objets pourraient tomber et provoquer des blessures corporelles et/ou des dommages matériels.
- Ne placez pas vos mains, vos pieds ou des objets métalliques (baguettes, etc.) sous ou derrière le réfrigérateur.
  - Risque d'électrocution ou de blessures.
  - Les bords coupants sont susceptibles de provoquer des blessures corporelles.
- Ne touchez pas les parois intérieures du congélateur ni les produits qui y sont rangés si vous avez les mains mouillées.
  - Risque de gelures.
- Ne placez pas de récipient rempli d'eau sur le réfrigérateur.
  - En cas de renversement, cela pourrait entraîner un incendie ou une électrocution.
- Ne stockez pas d'objets ou de substances volatiles ou inflammables (benzène, diluant, propane, alcool, éther, GPL et toute autre substance similaire) dans le réfrigérateur.
  - Le réfrigérateur a été conçu exclusivement pour le rangement de produits alimentaires.
  - Cela pourrait entraîner un incendie ou une explosion.

- 
- Il est nécessaire de surveiller les enfants pour s'assurer qu'ils ne jouent pas avec l'appareil.
    - Maintenez les doigts éloignés des zones contenant des « points de pincement ». Le jeu entre les portes et l'armoire doit nécessairement être faible. Soyez attentif lorsque vous ouvrez les portes si des enfants se trouvent dans la zone.
  - Ne mettez pas vos doigts et veillez à ce que les enfants ne mettent pas leurs doigts entre les portes.
    - Tenez vos doigts éloignés des intervalles situés à gauche et à droite des portes. Veillez à ne pas avoir les doigts entre les portes avant de les ouvrir.
  - Ne laissez pas les enfants se suspendre à la porte de l'appareil ou aux bacs des portes. Ils risqueraient de se blesser.
  - Ne laissez pas les enfants entrer dans le réfrigérateur. Ils risqueraient de rester emprisonnés.
  - Ne placez pas vos mains sous l'appareil.
    - Les bords coupants sont susceptibles de provoquer des blessures corporelles.
  - Ne rangez pas de produits pharmaceutiques, chimiques ou sensibles aux températures dans le réfrigérateur.
    - Les produits nécessitant un contrôle strict de la température ne doivent pas être entreposés dans le réfrigérateur.
  - Si l'appareil dégage une odeur chimique ou de la fumée, débranchez immédiatement la fiche d'alimentation et contactez votre centre de service Samsung Electronics.

## Consignes de sécurité

---

- En cas de traces de poussière ou d'eau dans le réfrigérateur, débranchez la fiche d'alimentation et contactez votre centre de service Samsung Electronics.
  - Sinon, il existe un risque d'incendie.
- Ne laissez pas les enfants monter sur un tiroir.
  - Le tiroir risquerait de se casser et de provoquer leur chute.
- Ne laissez pas les portes du réfrigérateur ouvertes lorsque l'appareil n'est pas sous surveillance afin d'éviter qu'un enfant ne se glisse à l'intérieur de l'appareil.
- Ne laissez pas les bébés ou les enfants aller à l'intérieur d'un tiroir.
  - Risque d'étouffement ou de blessures corporelles.
- Ne remplissez pas trop le réfrigérateur en aliments.
  - Lors de l'ouverture de la porte, un article pourrait tomber et provoquer des blessures corporelles ou des dommages matériels.
- Ne vaporisez pas de substance volatile telle qu'un insecticide sur la surface de l'appareil.
  - Ces produits peuvent se révéler dangereux pour la santé et risquent en outre de provoquer une électrocution, un incendie ou des problèmes avec l'appareil.
- N'utilisez pas ni ne placez pas de substances thermosensibles (ex. : pulvérisateurs ou objets inflammables, glace sèche, médicaments ou produits chimiques) à proximité ou à l'intérieur du réfrigérateur.

- 
- N'utilisez pas de sèche-cheveux pour sécher l'intérieur du réfrigérateur. Ne placez pas de bougie allumée à l'intérieur du réfrigérateur pour éliminer les mauvaises odeurs.
    - Risque d'électrocution ou d'incendie.
  - Ne montez pas sur l'appareil et ne placez pas d'objets (tels que du linge, des bougies allumées, des cigarettes allumées, de la vaisselle, des produits chimiques, des objets métalliques, etc.) sur celui-ci. Le non-respect de cette consigne risque d'entraîner une électrocution, un incendie, des problèmes avec l'appareil ou des blessures. Ne placez pas de récipient rempli d'eau sur l'appareil.
    - En cas de renversement, cela pourrait entraîner un incendie ou une électrocution.
  - Ne fixez jamais directement l'ampoule DEL UV pendant une période prolongée.
    - Cela risquerait d'entraîner une fatigue oculaire due aux rayons ultraviolets.
  - Ne placez pas la clayette à l'envers. La butée des clayettes ne fonctionnerait pas.
    - Cela pourrait provoquer des blessures corporelles dues à la chute de la clayette en verre.
  - Si une fuite de gaz est détectée, évitez toute flamme nue ou source potentielle d'inflammation et aérez pendant plusieurs minutes la pièce dans laquelle se trouve l'appareil.
    - Ne touchez pas l'appareil ou le cordon d'alimentation.
    - N'utilisez pas de ventilateur.
    - Une étincelle risquerait de provoquer une explosion ou un incendie.

## Consignes de sécurité

---

- Serrez les bouteilles les unes contre les autres pour éviter qu'elles ne tombent.
- Cet appareil est destiné au rangement des aliments dans un environnement domestique uniquement.
- Ne tentez pas de réparer, démonter ou modifier le réfrigérateur vous-même.
  - Des modifications non autorisées peuvent générer des problèmes de sécurité. Pour annuler une modification non autorisée, nous facturons le coût total des pièces et de la main d'œuvre.
- N'utilisez aucun fusible (tel que du cuivre, un câble d'acier, etc.) autre qu'un fusible standard.
- Si le réfrigérateur doit être réparé ou réinstallé, contactez le centre de service le plus proche.
  - Le non-respect de cette consigne risque d'entraîner une électrocution, un incendie, des problèmes avec l'appareil ou des blessures.
- Si le réfrigérateur dégage une odeur de brûlé ou de la fumée, débranchez-le immédiatement et contactez votre centre de service Samsung Electronics.
  - Le non-respect de cette consigne risquerait de provoquer un incendie ou une électrocution.
- Débranchez le réfrigérateur avant de remplacer les lampes intérieures.
  - Sinon, il pourrait y avoir un risque d'électrocution.
- Contactez votre centre de service Samsung si vous éprouvez des difficultés à remplacer une ampoule (qui n'est pas une DEL).
- Branchez fermement la fiche dans la prise murale.

- 
- N'utilisez pas de fiche d'alimentation endommagée, de cordon d'alimentation endommagé ou de prise murale mal fixée.
    - Risque d'électrocution ou d'incendie.

## Consignes d'utilisation

---

### **ATTENTION**

- Ne recongelez pas des aliments décongelés.
  - Les aliments surgelés et décongelés développent des bactéries nocives plus rapidement que les aliments frais.
  - Une deuxième décongélation détruit davantage de cellules, extrayant ainsi l'humidité des aliments et modifiant leur intégrité.
- Ne décongelez pas de la viande à température ambiante.
  - L'opération est sans risque pour la santé si le produit cru a été manipulé correctement.
- Ne placez pas de bouteilles en verre ni de boissons gazeuses dans le congélateur.
  - Le récipient peut geler et se briser, ce qui peut entraîner des blessures.
- Utilisez uniquement la machine à glaçons fournie avec le réfrigérateur.
- Pour un fonctionnement optimal de l'appareil :
  - Ne placez pas d'aliments trop près des orifices de ventilation à l'arrière de l'appareil car ils pourraient empêcher la libre circulation de l'air dans la partie réfrigérateur.

## Consignes de sécurité

---

- Emballez bien les aliments ou mettez-les dans des récipients hermétiques avant de les placer dans le réfrigérateur.
- Respectez les durées de stockage maximales et les dates de péremption associées aux aliments surgelés.
- Il n'est pas nécessaire de débrancher le réfrigérateur lorsque vous vous absentez moins de trois semaines. Cependant, si vous vous absentez pendant plus de trois semaines, retirez les aliments de l'appareil et la glace se trouvant dans le bac à glaçons et débranchez le réfrigérateur. Fermez la vanne d'arrivée d'eau, essuyez l'excédent d'humidité à l'intérieur et laissez les portes ouvertes afin d'éviter la formation d'odeurs et de moisissures.
- Garantie de réparation et modification
  - Les changements et modifications apportés à cet appareil fini par un tiers ne sont pas couverts par le service de garantie Samsung. Samsung ne peut être tenue responsable des problèmes de sécurité résultant des modifications apportées par un tiers.
- N'obstruez pas les orifices de ventilation à l'intérieur du réfrigérateur.
  - Si les orifices de ventilation sont obstrués, notamment par un sac en plastique, le réfrigérateur risque de trop refroidir.
- Essuyez l'excédent d'humidité à l'intérieur et laissez les portes ouvertes.
  - Le non-respect de cette consigne pourrait engendrer le développement d'odeurs et de moisissure.



- 
- Si le réfrigérateur est débranché de la prise d'alimentation, patientez au moins cinq minutes avant de le rebrancher.
  - Si le réfrigérateur est mouillé par de l'eau, débranchez la fiche d'alimentation et contactez votre centre de service Samsung Electronics.
  - Ne frappez pas et n'exercez pas de force excessive sur une surface en verre.
    - Du verre brisé pourrait entraîner des blessures corporelles et/ou des dégâts matériels.
  - Veillez à ne pas vous pincer les doigts.
  - En cas d'inondation, si votre appareil est entré en contact avec de l'eau, contactez le centre de service le plus proche.
    - Risque d'électrocution ou d'incendie.
  - Ne conservez pas d'huile végétale dans les bacs de la porte de votre réfrigérateur. L'huile peut se solidifier, ce qui peut lui donner un mauvais goût et la rendre difficile à utiliser. De plus, le récipient ouvert risque de fuir et la fuite d'huile peut créer une fissure dans le bac de la porte. Après avoir ouvert un récipient d'huile, le mieux est de le conserver dans un endroit frais et à l'abri du soleil, par exemple dans un placard ou un cellier.
    - Exemples d'huile végétale : huile d'olive, huile de maïs, huile de pépins de raisin, etc.

# Consignes de sécurité

---

## Consignes de nettoyage

---

### **ATTENTION**

- Ne vaporisez pas directement de l'eau à l'intérieur ou à l'extérieur du réfrigérateur.
  - Risque d'incendie ou d'électrocution.
- N'utilisez pas de sèche-cheveux pour sécher l'intérieur du réfrigérateur.
- Ne placez pas de bougie allumée à l'intérieur du réfrigérateur pour en éliminer les mauvaises odeurs.
  - Risque d'électrocution ou d'incendie.
- Ne vaporisez pas de produit de nettoyage directement sur l'écran.
  - Les caractères imprimés risqueraient de s'effacer.
- Lorsqu'un corps étranger tel que de l'eau a pénétré dans l'appareil, débranchez la fiche d'alimentation et contactez votre centre de service le plus proche.
  - Le non-respect de cette consigne est susceptible de provoquer un incendie ou une électrocution.
- Utilisez un chiffon propre et sec pour éliminer toute poussière ou corps étranger des lames de la fiche d'alimentation. N'utilisez pas de chiffon mouillé ou humide lors du nettoyage de la fiche.
  - Sinon, il pourrait y avoir un risque d'incendie ou d'électrocution.
- Ne nettoyez pas l'appareil en vaporisant de l'eau directement dessus.

- 
- N'utilisez pas de benzène, de diluant, de Clorox ou de chlorure pour le nettoyage.
    - Ces produits risquent d'endommager la surface de l'appareil et de provoquer un incendie.
  - Débranchez l'appareil de la prise murale avant de le nettoyer et d'en faire la maintenance.
    - Le non-respect de cette consigne est susceptible de provoquer un incendie ou une électrocution.
  - Utilisez une éponge propre ou un chiffon doux et un produit de nettoyage doux avec de l'eau tiède pour nettoyer le réfrigérateur.
  - N'utilisez pas de produits de nettoyage abrasifs ou concentrés, tels que des produits à vitre, des produits à récurer, des liquides inflammables, de l'acide chlorhydrique, des cires nettoyantes, des détergents concentrés, de la Javel ou des produits de nettoyage contenant des produits pétroliers, sur les surfaces extérieures (portes et meuble), les pièces en plastique, les revêtements de la porte et de l'intérieur, ainsi que les joints.
    - Vous risqueriez de rayer ou d'endommager le matériau.
  - Ne nettoyez pas les caches ou les clayettes en verre avec de l'eau tiède lorsqu'ils sont froids. Les caches et les clayettes en verre risquent de se casser s'ils sont exposés à des variations soudaines de température ou à des impacts (chocs ou chutes).

# Consignes de sécurité

---

## Avertissements importants concernant la mise au rebut

---

### **AVERTISSEMENT**

- Veuillez jeter le matériel d'emballage de cet appareil dans le respect de l'environnement.
- Assurez-vous qu'aucun des tuyaux situés à l'arrière du réfrigérateur n'est endommagé avant sa mise au rebut.
- Lors de la mise au rebut de ce réfrigérateur, retirez la porte/les joints de porte ainsi que le loquet de la porte afin que des petits enfants ou des animaux ne puissent pas se retrouver enfermés à l'intérieur. Il est nécessaire de surveiller les enfants pour s'assurer qu'ils ne jouent pas avec l'appareil. Un enfant risquerait de se retrouver emprisonné à l'intérieur, de se blesser ou de s'asphyxier.
  - Les enfants risqueraient de se retrouver emprisonnés à l'intérieur, de se blesser et de s'asphyxier.
- Du cyclopentane est utilisé comme isolant. Les gaz utilisés pour l'isolation nécessitent une procédure d'élimination spéciale. Pour savoir comment mettre cet appareil au rebut dans le respect de l'environnement, veuillez contacter les autorités locales.
- Conservez tous les matériaux d'emballage hors de portée des enfants, car ils présentent un danger pour ces derniers.
  - Un enfant pourrait s'asphyxier s'il met sa tête dans un sac.

---

## Conseils complémentaires pour une utilisation appropriée

---

- En cas de coupure de courant, appelez le bureau local de votre fournisseur d'électricité afin de connaître la durée prévue de la coupure.
  - La plupart des coupures de courant qui sont corrigées dans l'heure ou dans les deux heures qui suivent n'affectent pas les températures du réfrigérateur. Cependant, il est recommandé de limiter le nombre d'ouvertures de la porte pendant l'absence de courant.
  - Si la coupure de courant dure plus de 24 heures, retirez et jetez tous les aliments surgelés.
- Le réfrigérateur pourrait ne pas fonctionner d'une manière constante (possibilité de décongélation des aliments surgelés ou de hausse trop importante de la température à l'intérieur du compartiment d'aliments surgelés) s'il est placé pendant une période prolongée dans des pièces dont la température ambiante est constamment en dessous des températures pour lesquelles il a été conçu.
- En cas de présence d'aliments particuliers, les conserver réfrigérés peut avoir un effet négatif sur leur conservation en raison de leurs propriétés.
- Votre appareil est équipé de la fonction de dégivrage automatique, ce qui veut dire que vous n'avez pas besoin de le dégivrer manuellement. Le dégivrage se fera automatiquement.

## Consignes de sécurité

---

- L'augmentation de la température pendant le dégivrage reste conforme aux normes ISO. Si vous souhaitez éviter toute augmentation excessive de la température des aliments surgelés pendant le dégivrage de l'appareil, emballez-les dans plusieurs couches de papier (un journal par exemple).
- Ne recongelez pas un aliment qui a complètement décongelé.
- La température de la/des parties à deux étoiles ou du/des compartiments qui possèdent le symbole deux étoiles (❄️) est légèrement plus élevée que celle de l'autre/des autres compartiments du congélateur.  
La/Les parties ou le/les compartiments à deux étoiles sont basé(e)s sur les instructions et/ou l'état lors de la livraison.

## Instructions concernant la réglementation DEEE



Les bons gestes de mise au rebut de ce produit (Déchets d'équipements électriques et électroniques)

(Applicable aux pays disposant de systèmes de collecte séparés)

Ce symbole sur le produit, ses accessoires ou sa documentation indique que ni le produit, ni ses accessoires électroniques usagés (chargeur, casque audio, câble USB, etc.) ne peuvent être jetés avec les autres déchets ménagers. La mise au rebut incontrôlée des déchets présentant des risques environnementaux et de santé publique, veuillez séparer vos produits et accessoires usagés des autres déchets. Vous favoriserez ainsi le recyclage de la matière qui les compose dans le cadre d'un développement durable.

Les particuliers sont invités à contacter le magasin leur ayant vendu le produit ou à se renseigner auprès des autorités locales pour connaître les procédures et les points de collecte de ces produits en vue de leur recyclage.

Les entreprises et particuliers sont invités à contacter leurs fournisseurs et à consulter les conditions de leur contrat de vente. Ce produit et ses accessoires ne peuvent être jetés avec les autres déchets.

Pour plus d'informations sur les engagements de Samsung en matière d'environnement et les obligations légales relatives à l'appareil (par exemple, la directive REACH ou celles portant sur les DEEE et les batteries), consultez notre page relative au développement durable accessible via [www.samsung.com](http://www.samsung.com).

(Uniquement pour les appareils commercialisés dans les pays européens et au Royaume-Uni)



FR

Cet appareil se recycle



Points de collecte sur [www.quefairedemesdechets.fr](http://www.quefairedemesdechets.fr)  
Privilégiez la réparation ou le don de votre appareil !

FR

ÉLÉMENTS  
D'EMBALLAGE  
+ LIVRET  
+ FEUILLE



Séparez les éléments avant de trier

# Installation

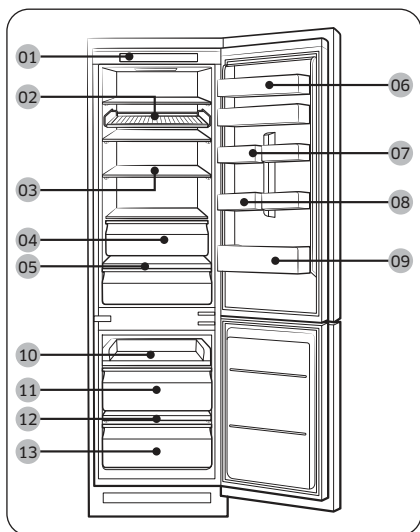
Avant toute utilisation, respectez scrupuleusement ces consignes pour assurer une installation adéquate du réfrigérateur et éviter les accidents.

## ⚠ AVERTISSEMENT

- N'utilisez ce réfrigérateur que conformément à l'usage auquel il est destiné, tel que décrit dans ce manuel.
- Toute opération d'entretien doit être effectuée par un technicien qualifié.
- Mettez au rebut les matériaux d'emballage de l'appareil conformément aux réglementations locales.
- Pour éviter tout risque d'électrocution, débranchez le cordon d'alimentation avant tout entretien ou remplacement.

## Présentation rapide du réfrigérateur

L'apparence réelle du réfrigérateur et les composants qui l'accompagnent peuvent varier en fonction du modèle et du pays.



- 01 Panneau de commande
- 02 Clayette à bouteilles de vin \*
- 03 Clayette du réfrigérateur \*
- 04 Tiroir du réfrigérateur \*
- 05 Clayette à légumes \*
- 06 Bac supérieur de la porte \*
- 07 Bac de porte Variety
- 08 Bac à œufs \*
- 09 Bac de la porte du réfrigérateur
- 10 Clayette coulissante
- 11 Tiroir central du congélateur
- 12 Clayette du congélateur \*
- 13 Tiroir inférieur du congélateur

\* modèles applicables uniquement

## 📖 REMARQUE

- Pour une efficacité énergétique optimale, veillez à ce que l'ensemble des clayettes, des tiroirs et des paniers soient placés dans leur position d'origine.
- Uniquement pour les modèles équipés de la clayette du congélateur :
  - Pour congeler rapidement de grandes quantités d'aliments, utilisez le congélateur après avoir retiré le tiroir inférieur du congélateur.
  - Pour obtenir plus d'espace, vous pouvez retirer la clayette coulissante (10) et les deux tiroirs du congélateur (11, 13) situés en dessous, mais laissez la clayette du congélateur sur le tiroir inférieur du congélateur. Ils n'affectent pas les caractéristiques thermiques et mécaniques de l'appareil. Le volume de stockage nominal du compartiment d'aliments surgelés est calculé sans la clayette et sans les tiroirs du congélateur.



## Étiquette de température (modèles applicables uniquement)

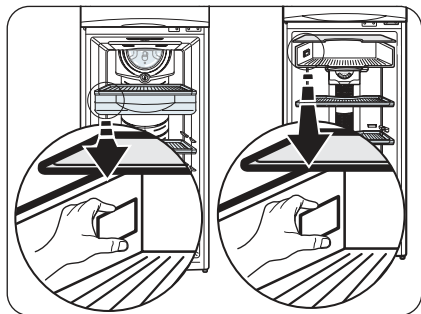
Pour un réglage optimal de la température, le réfrigérateur est fourni avec une étiquette de température (fournie avec le guide d'utilisation) afin de vous permettre de contrôler la température moyenne dans la zone la plus froide. Si l'étiquette de température n'est pas fournie, veuillez en réclamer une à votre distributeur.

Reportez-vous aux illustrations suivantes pour fixer l'étiquette de température.

### REMARQUE

L'utilisation de l'étiquette de température est destinée à ce réfrigérateur uniquement. Ne l'utilisez pas avec un autre réfrigérateur ou pour d'autres fins.

### Fixation de l'étiquette de température à l'intérieur du réfrigérateur



Vérifiez que la paroi de l'appareil est propre et sèche, puis fixez l'étiquette de température comme illustré sur la figure.

### Contrôle de la température dans la zone la plus froide

Une fois l'étiquette de température fixée, vous pouvez procéder à des contrôles réguliers pour vous assurer que la température dans la zone la plus froide est correcte et, si nécessaire, pour régler le thermostat tel qu'indiqué dans le guide d'utilisation.

La température intérieure du réfrigérateur dépend de nombreux facteurs tels que la température ambiante de la pièce, de la quantité d'aliments stockés et du nombre d'ouvertures de la porte. Ces facteurs doivent être pris en compte lors du réglage de l'appareil.



- A. Réglage correct
- B. Température trop élevée, réglez le thermostat

Pour maintenir une température correcte à l'intérieur de l'appareil, assurez-vous que l'étiquette de température est toujours bleue. Si l'étiquette de température devient blanche, la température est trop élevée. Dans ce cas, baissez le réglage du thermostat et patientez 12 heures avant de vérifier à nouveau l'étiquette de température. Lorsque des aliments frais sont entreposés, ou lorsque la porte reste ouverte pendant une certaine durée, il est normal que l'étiquette devienne blanche.

# Installation

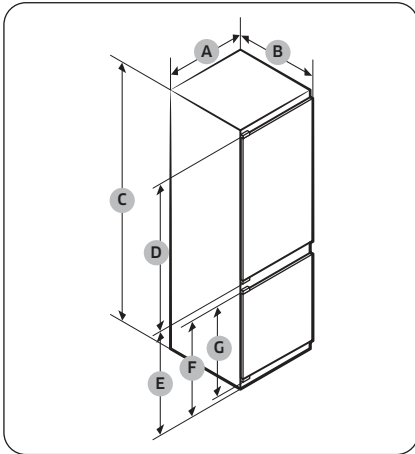
## Installation étape par étape

### ÉTAPE 1 Choisir un site d'installation

Exigences relatives au site :

- surface solide et plane sans moquette et sans revêtement de sol pouvant obstruer la ventilation ;
- emplacement éloigné de la lumière directe du soleil ;
- espace adéquat pour ouvrir et fermer la porte ;
- emplacement éloigné d'une source de chaleur ;
- espace suffisant pour effectuer des travaux de maintenance et d'entretien ;

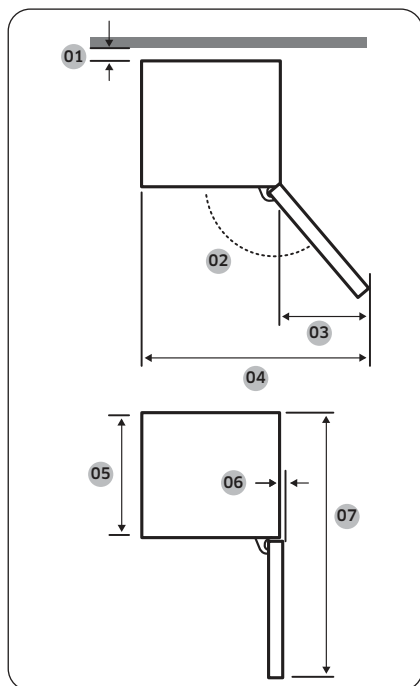
Dimensions de l'appareil



|   | BRB***26*            | BRB***30*            |
|---|----------------------|----------------------|
| A | 540 ± 2              | 540 ± 2              |
| B | 550 ± 2 (avec porte) | 550 ± 2 (avec porte) |
| C | 1775 ± 2             | 1935 ± 2             |
| D | 987                  | 1147                 |
| E | 735                  | 735                  |
| F | 671                  | 671                  |
| G | 621                  | 621                  |

(unité : mm)

## Dimensions totales de l'appareil



| Modèle | BRB*****S0<br>TYPE COULISSANT      | BRB*****F0<br>TYPE FIXE |
|--------|------------------------------------|-------------------------|
| 01 *   | 10 (minimum) / 30 (recommandation) |                         |
| 02     | 95° (recommandation)               | 115° (recommandation)   |
| 03     | 218                                | 180                     |
| 04     | 758                                | 700                     |
| 05     | 510                                | 510                     |
| 06     | 1                                  | 5                       |
| 07     | 1055                               | 1055                    |

\* 01 : entre le meuble et la partie arrière de l'appareil.

(unité : mm)

### REMARQUE

- La consommation électrique spécifiée est valable pour un espace de 10 mm entre le meuble et la partie arrière de l'appareil. Si l'appareil fonctionnera correctement avec un espace inférieur à 10 mm, il consommera en revanche un peu plus d'énergie.
- Nous recommandons l'utilisation d'un meuble de 18 mm d'épaisseur et de charnières dont l'épaisseur est inférieure à 20 mm.

### REMARQUE

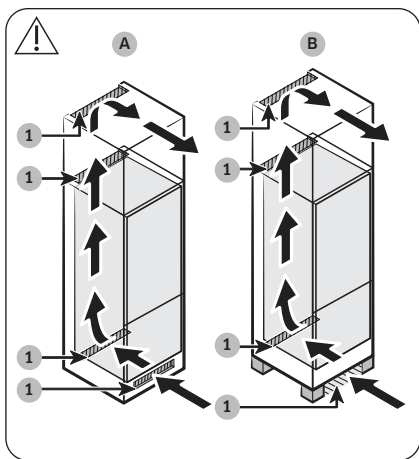
- Les mesures fournies dans le tableau ci-dessus peuvent varier en fonction de la méthode de mesure.
- Pour une installation encastrée, voir le manuel d'installation.

# Installation

## Système de ventilation du meuble

Comme indiqué sur l'illustration, l'air entrant dans le réfrigérateur circule en suivant le chemin de ventilation (cf. sens des flèches) du meuble. Le meuble doit avoir au moins 200 cm<sup>2</sup> (L x H = 500 mm x 40 mm) d'espace à la fois pour l'entrée d'air et la sortie d'air. De plus, le meuble doit disposer d'un espace de ventilation arrière d'au moins 200 cm<sup>2</sup> (L x H = 500 mm x 40 mm) en bas.

Entrée d'air

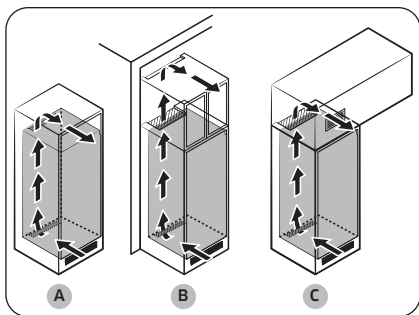


|   |                     |
|---|---------------------|
| 1 | 200 cm <sup>2</sup> |
|---|---------------------|

L'entrée d'air doit être positionnée comme dans l'un des exemples ci-dessous, ou dans une position similaire, selon le type de votre meuble.

- A. Un orifice de ventilation présent dans le meuble.
- B. Un meuble sur pieds.

Sortie d'air



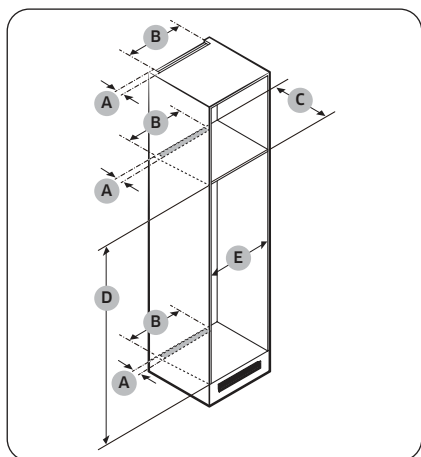
La sortie d'air doit être positionnée comme dans l'un des exemples ci-dessous, ou dans une position similaire, selon le type de votre meuble.

- A. Juste au-dessus du réfrigérateur avec une grille de ventilation en option
- B. Près du haut du meuble
- C. Au-dessus du réfrigérateur avec une ventilation séparément intégrée

### ⚠ ATTENTION

Quelle que soit la conception du meuble, le système de ventilation ne doit être obstrué par aucune installation.

## Dimensions du meuble



### ⚠ ATTENTION

Si le meuble est équipé d'une porte, assurez-vous que celle-ci n'est pas lourde afin d'éviter tout risque de basculement ou de chute.

| Porte du meuble    | Épaisseur (mm)     | Poids (kg) |
|--------------------|--------------------|------------|
| Côté réfrigérateur | Min. 16<br>Max. 19 | Max. 18    |
| Côté congélateur   |                    | Max. 12    |

Toute défaillance de l'appareil due à l'une des causes suivantes n'est pas couverte par la garantie.

1. Conditions inappropriées du site ou dimensions du meuble incorrectes
2. Meuble défectueux
3. Erreurs commises par l'installateur ou l'utilisateur

## Dégagement

Pour connaître les exigences en matière d'espace d'installation, reportez-vous aux images et tableaux ci-dessous.

| Modèle                          |                | A (mm) | B (mm) | C (mm) | D (mm) | E (mm) | Remarque          |
|---------------------------------|----------------|--------|--------|--------|--------|--------|-------------------|
| BRB***26**S0<br>TYPE COULISSANT | Min.           | 40     | 500    | 560    | 1778   | 560    |                   |
|                                 | Recommandation |        |        | 580    | 1780   | 562    |                   |
|                                 | Max.           |        |        | -      | 1782   | 568    |                   |
| BRB***26**F0<br>TYPE FIXE       | Min.           | 40     | 500    | 560    | 1778   | 555    | Charnière : 17 mm |
|                                 | Recommandation |        |        | 580    | 1780   | 562    |                   |
|                                 | Max.           |        |        | -      | 1782   | 568    |                   |
| BRB***30**S0<br>TYPE COULISSANT | Min.           | 40     | 500    | 560    | 1938   | 560    |                   |
|                                 | Recommandation |        |        | 580    | 1940   | 562    |                   |
|                                 | Max.           |        |        | -      | 1942   | 568    |                   |
| BRB***30**F0<br>TYPE FIXE       | Min.           | 40     | 500    | 560    | 1938   | 555    | Charnière : 17 mm |
|                                 | Recommandation |        |        | 580    | 1940   | 562    |                   |
|                                 | Max.           |        |        | -      | 1942   | 568    |                   |

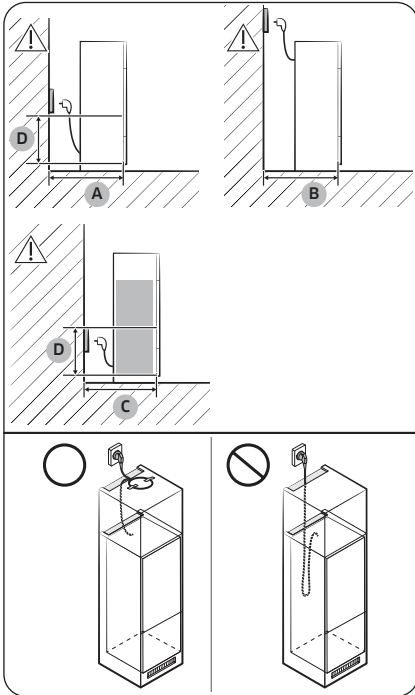
### 📖 REMARQUE

- Si la largeur d'un meuble est supérieure à 568 mm, le joint d'étanchéité (entre le réfrigérateur et le meuble) risque de se détacher.

# Installation

- Si le meuble est plus haut que la dimension maximale (1 782 mm), vous devez utiliser d'autres matériaux de finition pour remplir l'espace.

Considération pour l'emplacement de la prise électrique et pour l'espace requis



|   |          |
|---|----------|
| A | Min. 590 |
| B | Min. 560 |
| C | Min. 580 |
| D | 240      |

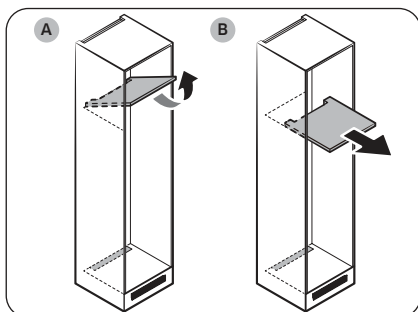
(unité : mm)

## REMARQUE

Si vous installez le réfrigérateur dans un meuble dont la profondeur est de 560 mm, assurez-vous que le cordon d'alimentation est placé sur un côté du réfrigérateur avant de le brancher à une prise de courant. Si le cordon d'alimentation se trouve à l'arrière du réfrigérateur, cela pourrait réduire l'efficacité énergétique.

## Type de meuble

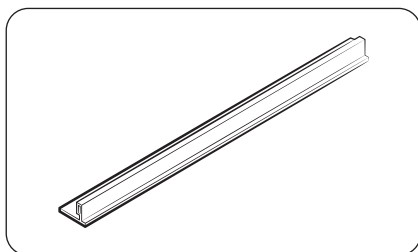
Le type de meuble recommandé est l'un des suivants :



### REMARQUE

Si vous utilisez l'un de ces types de meubles, vous n'avez pas besoin de retirer l'unité principale du meuble pour réparer une carte de circuit imprimé principale défectueuse. Si vous utilisez un autre type de meuble, vous devez retirer l'unité principale de ce meuble pour procéder à la réparation.

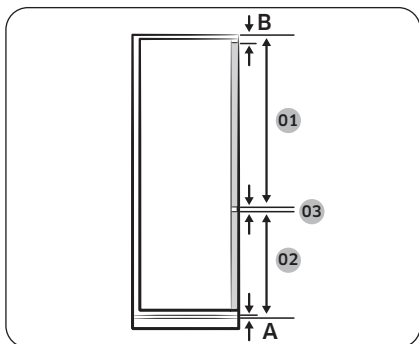
- A. Type à clayettes inclinables
- B. Type à clayettes coulissantes



### REMARQUE

- Si vous utilisez un meuble dont la taille ne correspond pas aux recommandations, vous risquez de détacher le joint d'étanchéité situé entre le réfrigérateur et le meuble lors de l'insertion du réfrigérateur dans le meuble.

# Installation



## REMARQUE

Pour installer un meuble nécessitant un espace de 3 mm (03), reportez-vous au tableau de référence des meubles ci-dessous.

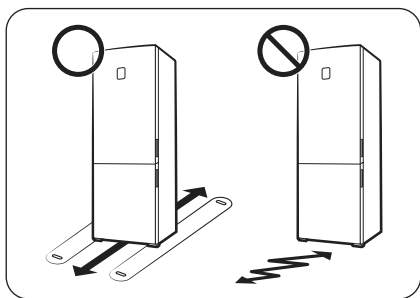
| Modèle | BRB***26**SO<br>TYPE COULISSANT  | BRB***26**FO<br>TYPE FIXE  |
|--------|--|----------------------------|
| 01     | Min. 1041+B<br>Max. 1102+B   | Min. 1063+B<br>Max. 1076+B |
| 02     | Min. 670+A<br>Max. 731+A   | Min. 696+A<br>Max. 709+A   |
| 03     | 3 mm<br>(espace entre la porte du réfrigérateur et celle du congélateur) |                            |

| Modèle | BRB***30**SO<br>TYPE COULISSANT  | BRB***30**FO<br>TYPE FIXE  |
|--------|--|----------------------------|
| 01     | Min. 1204+B<br>Max. 1262+B   | Min. 1223+B<br>Max. 1236+B |
| 02     | Min. 670+A<br>Max. 731+A   | Min. 696+A<br>Max. 709+A   |
| 03     | 3 mm<br>(espace entre la porte du réfrigérateur et celle du congélateur) |                            |

- A. Bord inférieur du panneau avant au-dessus de la ventilation
- B. Avancée du panneau avant

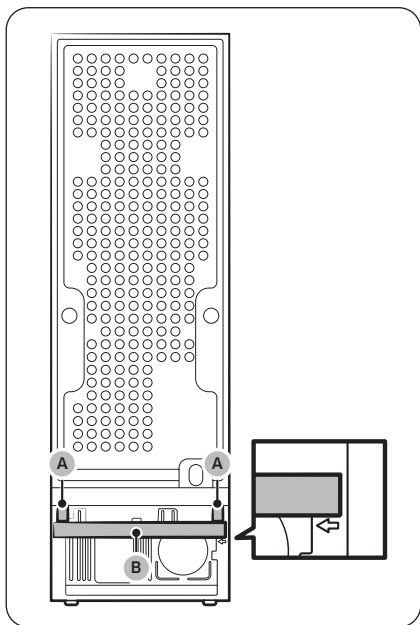


## ÉTAPE 2 Sol



- La surface d'installation doit supporter le poids d'un réfrigérateur plein.
- Pour protéger le sol, placez un grand morceau de carton sur chaque pied du réfrigérateur.
- Lorsque le réfrigérateur se trouve dans sa position finale, ne le déplacez plus sauf si cela est nécessaire pour protéger le sol. Si nécessaire, utilisez du papier ou du tissu épais (par exemple un morceau de vieille moquette) le long du chemin de transport.

## ÉTAPE 3 Espacement (modèles applicables uniquement)



Installez les entretoises (A) fournies et l'éponge (B) comme illustré pour garantir une efficacité énergétique optimale.

### ⚠ ATTENTION

Si le réfrigérateur n'est pas aligné avec le meuble, vous pouvez couper les entretoises pour que le réfrigérateur soit aligné avec le meuble, mais il ne sera pas possible de garantir une efficacité énergétique optimale.

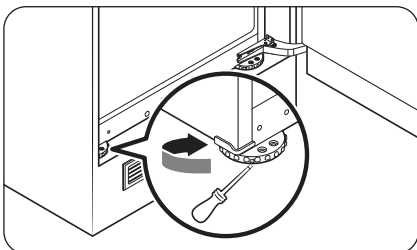
# Installation

## ÉTAPE 4 Réglage des pieds de mise à niveau

### ⚠ ATTENTION

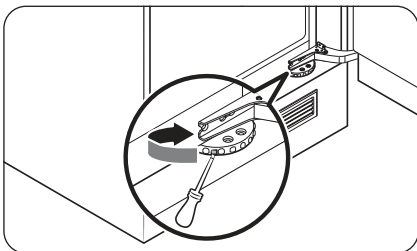
- Le réfrigérateur doit être mis de niveau sur un sol plat et solide. Le non-respect de cette consigne peut entraîner l'endommagement du réfrigérateur ou des blessures corporelles.
- Pour mettre le réfrigérateur de niveau, ce dernier doit être vide. Assurez-vous qu'il ne reste aucun aliment à l'intérieur du réfrigérateur.

Le réfrigérateur peut être mis de niveau à l'aide des pieds avant qui disposent d'une vis spéciale (vis de mise à niveau) permettant de mettre le réfrigérateur de niveau. Utilisez un tournevis à tête plate pour mettre le réfrigérateur de niveau.



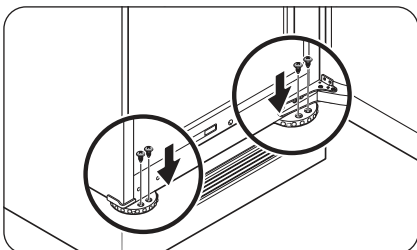
### Pour ajuster la hauteur côté gauche :

Insérez un tournevis à tête plate dans la vis de mise à niveau du pied avant gauche. Faites-la tourner dans le sens horaire pour le remonter ou dans le sens antihoraire pour l'abaisser.



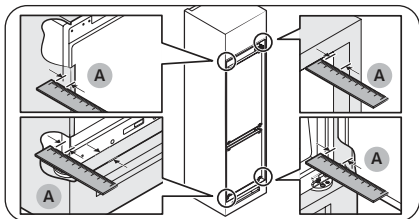
### Pour ajuster la hauteur côté droit :

Insérez un tournevis à tête plate dans la vis de mise à niveau du pied avant droit. Faites-la tourner dans le sens horaire pour le remonter ou dans le sens antihoraire pour l'abaisser.



### 📖 REMARQUE

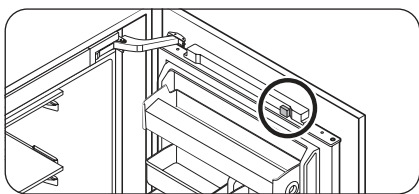
Assurez-vous de laisser un espace de 41 mm (A : pour la charnière coulissante et la charnière fixe) entre le réfrigérateur et le meuble (ou la niche). Fixez ensuite les pieds avant à l'aide des vis.



### ÉTAPE 5 Réglages initiaux

En effectuant les étapes suivantes, le réfrigérateur doit fonctionner entièrement.

1. Retirez la feuille de mousse PE à chaque coin de la clayette, qui est attachée pour protéger le réfrigérateur pendant le transport.
2. Ouvrez la porte et vérifiez si l'éclairage à l'intérieur s'allume.



3. Retirez la mousse PE sur l'aimant en haut de la porte.

4. Réglez la température sur la valeur la plus basse et patientez une heure. Le congélateur est légèrement réfrigéré et le moteur tourne doucement.
5. Attendez jusqu'à ce que le réfrigérateur atteigne la température réglée. Le réfrigérateur est désormais prêt à l'emploi.

#### REMARQUE

Une fois le réfrigérateur mis sous tension, une alarme retentit. Pour arrêter l'alarme, appuyez sur le bouton Freezer (Congélateur) ou Fridge (Réfrigérateur).

# Installation

---

## ÉTAPE 6 Alarme de température (modèles applicables uniquement)

---

### Type 1

- Le message « - - » clignote sur l'affichage de température de l'appareil et une alarme retentit si la température du compartiment du congélateur est trop élevée. Cela peut se produire si la température du congélateur devient trop élevée après une coupure de courant.
- Si tel est le cas, appuyez sur **Freezer (Congélateur)** ou sur **Fridge (Réfrigérateur)**. La température la plus élevée s'affiche pendant 5 secondes. Puis la température réelle s'affiche. Pour désactiver l'alarme, appuyez sur **Door Alarm (Alarme de la porte)**.

### Type 2

- Le voyant de température clignote sur l'appareil et une alarme retentit si la température du compartiment du congélateur est trop élevée. Cela peut se produire si la température du congélateur devient trop élevée après une coupure de courant. Pour désactiver l'alarme, appuyez sur **Freezer (Congélateur)** ou sur **Fridge (Réfrigérateur)**.

## ÉTAPE 7 Vérification finale

---

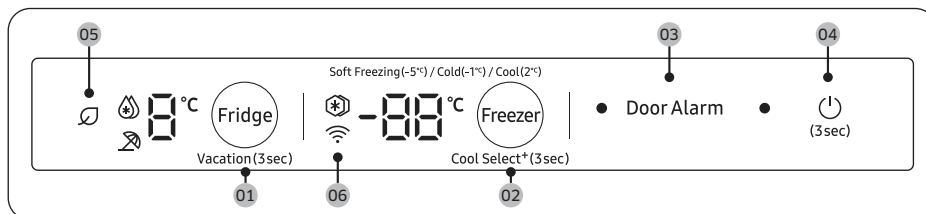
Lorsque l'installation est terminée, vérifiez les points suivants :

- Le réfrigérateur est branché sur une prise électrique et correctement mis à la terre.
- Le réfrigérateur est installé sur une surface plane et de niveau, à une distance suffisante du mur ou du meuble.
- Le réfrigérateur est de niveau et il repose fermement sur le meuble.
- La porte s'ouvre et se ferme sans problèmes et l'éclairage intérieur s'allume automatiquement dès que vous ouvrez la porte.

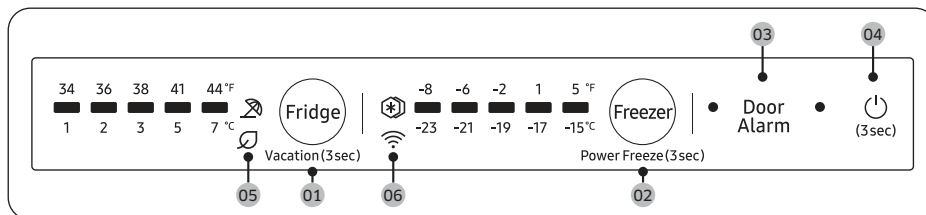
# Opérations

## Panneau principal

### TYPE 1



### TYPE 2



01 Fridge (Réfrigérateur) / Vacation (Absence)

02 Freezer (Congélateur) /  
Power Freeze (Congélation rapide) /  
Cool Select+ (Température réglable) \*

03 Door Alarm (Alarme de la porte)

04 (Marche/Arrêt)

05 AI Energy Mode

06 Connexion au réseau




\* modèles applicables uniquement

#### REMARQUE


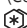


Les voyants DEL s'allument tous en même temps lorsque la porte est ouverte et s'éteignent tous en même temps lorsque la porte est refermée.

# Opérations

## 01 Réfrigérateur / Absence (3 s)

|                           |  |
|---------------------------|--|
| Fridge<br>(Réfrigérateur) | <p>Pour régler la température du réfrigérateur, appuyez sur le bouton <b>Fridge (Réfrigérateur)</b> et sélectionnez la température correspondante. Vous pouvez régler une température comprise entre 1 °C et 7 °C (réglage par défaut : 3 °C).</p> <p><b>Refroidissement rapide (type 1)</b></p> <p>La fonction Power Cool (Refroidissement rapide) accélère le processus de refroidissement avec le ventilateur à vitesse maximale. Le réfrigérateur continue de fonctionner à vitesse maximale pendant deux heures et demie, avant de revenir à la température précédente.</p> <ul style="list-style-type: none"><li>• Pour activer la fonction Power Cool (Refroidissement rapide), sélectionnez une température de 1 °C, puis appuyez sur <b>Fridge (Réfrigérateur)</b> pour sélectionner Power Cool (Refroidissement rapide). Le voyant correspondant (  ) s'allume et le réfrigérateur accélère le processus de refroidissement pour vous.</li><li>• Pour désactiver la fonction Power Cool (Refroidissement rapide), appuyez de nouveau sur <b>Fridge (Réfrigérateur)</b>. Le réglage pour la température du réfrigérateur reviendra à 7 °C.</li></ul> <p> <b>REMARQUE</b></p> <p>L'utilisation de la fonction Power Cool (Refroidissement rapide) augmente la consommation électrique. Assurez-vous de la désactiver et de remettre la température précédente si vous n'avez pas besoin de cette fonction.</p> |
| Vacation (Absence)        | <ul style="list-style-type: none"><li>• Utilisez la fonction Vacation (Absence) si vous partez en vacances ou en voyage d'affaires ou si vous n'avez pas besoin d'utiliser votre réfrigérateur pour une période prolongée. La température du réfrigérateur peut être maintenue en dessous de 17 °C, mais le congélateur reste actif selon le réglage précédent.</li><li>• Pour activer ou désactiver le mode Vacation (Absence), maintenez le bouton <b>Fridge (Réfrigérateur)</b> enfoncé pendant 3 secondes.</li></ul> <p> <b>REMARQUE</b></p> <ul style="list-style-type: none"><li>• Assurez-vous de retirer les aliments du compartiment du réfrigérateur avant d'utiliser le mode Vacation (Absence).</li><li>• Le mode Vacation (Absence) est désactivé si vous réglez la température.</li></ul>   |

## 02 Congélateur / Congélation rapide (3 s) / Température réglable+ (3 s)

|                                      |  |
|--------------------------------------|--|
| Freezer<br>(Congélateur)             | <p>Le bouton <b>Freezer (Congélateur)</b> permet de régler la température du congélateur. Les températures disponibles sont comprises entre -15 °C et -23 °C (par défaut : -19 °C).</p> <p> <b>REMARQUE</b></p> <p>Vous ne pouvez pas changer la température en mode Cool Select+ (Température réglable+).</p>  |
| Power Freeze<br>(Congélation rapide) | <p>La fonction Power Freeze (Congélation rapide) accélère le processus de congélation avec le ventilateur à vitesse maximale. Le congélateur fonctionne à vitesse maximale durant 50 heures avant de revenir à la température précédente. Pour congeler une grande quantité d'aliments, activez la fonction Power Freeze (Congélation rapide) au moins 20 heures avant de placer les aliments dans le congélateur.</p> <p><b>Type 1</b></p> <ul style="list-style-type: none"><li>• Pour activer la fonction Power Freeze (Congélation rapide), sélectionnez une température de -23 °C, puis appuyez sur <b>Freezer (Congélateur)</b> pour sélectionner Power Freeze (Congélation rapide). Le voyant correspondant (  ) s'allume et le réfrigérateur accélère le processus de congélation pour vous.</li><li>• Une fois le processus Power Freeze (Congélation rapide) terminé, le voyant correspondant s'éteint et le congélateur revient au réglage de température précédent.</li><li>• Pour désactiver la fonction Power Freeze (Congélation rapide), appuyez de nouveau sur <b>Freezer (Congélateur)</b>. Le congélateur revient au réglage de température précédent.</li></ul> <p><b>Type 2</b></p> <ul style="list-style-type: none"><li>• Pour activer la fonction Power Freeze (Congélation rapide), maintenez le bouton <b>Freezer (Congélateur)</b> enfoncé pendant 3 secondes pour sélectionner Power Freeze (Congélation rapide). Le voyant correspondant (  ) s'allume et le réfrigérateur accélère le processus de congélation pour vous.</li><li>• Pour désactiver la fonction Power Freeze (Congélation rapide), maintenez de nouveau le bouton <b>Freezer (Congélateur)</b> enfoncé pendant 3 secondes. Le congélateur revient au réglage de température précédent et le voyant correspondant s'éteint.</li></ul> <p> <b>REMARQUE</b></p> <p>L'utilisation de la fonction Power Freeze (Congélation rapide) augmente la consommation électrique. Assurez-vous de la désactiver et de remettre la température précédente si vous n'avez pas besoin de cette fonction.</p> |

# Opérations


|   |   |
|---|---|
| <p>Zone Cool Select+ (Température réglable+) (type 1)</p> | <p>Chaque fois que vous maintenez le bouton <b>Cool Select+ (Température réglable+)</b> enfoncé pendant 3 secondes, le mode de fonctionne change dans l'ordre suivant : Freeze (Congélation) → Soft Freezing (Congélation douce) (-5 °C) → Cold (Froid) (-1 °C) → Cool (Refroidissement) (2 °C)</p> <p><b>⚠ ATTENTION</b></p> <ul style="list-style-type: none"><li>• Si vous passez du mode Freezer (Congélateur) au mode Cool Select+ (Température réglable+), du jus ou du liquide risque de s'égoutter des aliments stockés.</li><li>• Ne placez pas de viande ou de poisson pendant une période prolongée en mode Cool Select+ (Température réglable+). Les aliments risquent de geler ou de s'abîmer en raison des réglages de température inappropriés pour les aliments à stocker.</li><li>• Si le réfrigérateur est remis sous tension après une longue période d'inactivité, il est possible que les paramètres de la fonction Cool Select+ (Température réglable+) se soient réinitialisés aux réglages d'usine par défaut. Vérifiez les paramètres de la fonction Cool Select+ (Température réglable+) avant d'utiliser le réfrigérateur.</li></ul> |
|---|---|

## 03 Alarme de la porte

|  |  |
|--|--|
| <p>Door Alarm (Alarme de la porte)</p> | <p>Vous pouvez régler l'alarme pour un rappel. Si la porte est laissée ouverte pendant plus de 2 minutes, l'alarme retentit avec le voyant Alarme clignotant. Vous pouvez activer ou désactiver l'alarme en appuyant sur <b>Door Alarm (Alarme de la porte)</b>.</p> |
|--|--|

## 04 (Marche/Arrêt)

Pour mettre le réfrigérateur sous tension, maintenez le bouton  enfoncé pendant 3 secondes.

Si vous maintenez de nouveau le bouton  enfoncé pendant 3 secondes, l'appareil se met hors tension et les voyants des compartiments s'éteignent également.

## 05 AI Energy Mode (modèles applicables uniquement)

L'icône  apparaît lorsque l'AI Energy Mode est activé. Vous pouvez activer ou désactiver l'AI Energy Mode sur l'application SmartThings. (modèles applicables uniquement)



## 06 Connexion au réseau (modèles applicables uniquement)

Vous pouvez commander et surveiller votre réfrigérateur sur l'application SmartThings. Pour en savoir plus, reportez-vous à la section **SmartThings (modèles applicables uniquement)**.

### REMARQUE

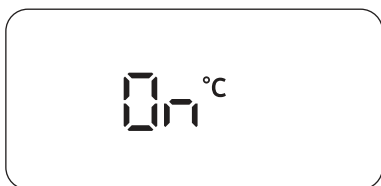
Si le réfrigérateur n'est pas connecté à l'application SmartThings, l'icône de connexion Wi-Fi (📶) clignote pour vous avertir. Si vous voyez l'icône de connexion Wi-Fi (📶) clignoter, nous vous recommandons de connecter votre réfrigérateur à l'application SmartThings.

### Activation ou désactivation de la connexion Wi-Fi (modèles applicables uniquement)

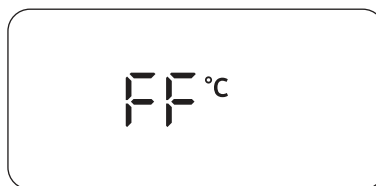
#### Type 1

Pour activer ou désactiver la connexion Wi-Fi, maintenez le bouton **Fridge (Réfrigérateur)** enfoncé pendant 10 secondes. L'écran affiche alors l'état de la connexion Wi-Fi pendant 5 secondes (comme indiqué sur l'illustration).

Connexion Wi-Fi activée



Connexion Wi-Fi désactivée



#### Type 2

Pour activer ou désactiver la connexion Wi-Fi, maintenez le bouton **Fridge (Réfrigérateur)** enfoncé pendant 10 secondes. L'icône de connexion Wi-Fi (📶) affiche le statut de la connexion Wi-Fi comme indiqué ci-dessous.

- Connexion Wi-Fi désactivée : l'icône de connexion Wi-Fi (📶) clignote pendant 5 secondes, puis s'éteint.
- Connexion Wi-Fi activée : l'icône de connexion Wi-Fi (📶) clignote pendant 5 secondes, puis s'allume pendant 5 secondes.

### REMARQUE

- Lorsque vous configurez la connexion Wi-Fi pour pouvoir connecter le réfrigérateur à l'application SmartThings, la fonction Wi-Fi On/Off (Activation/Désactivation de la connexion Wi-Fi) s'active.
- Pour en savoir plus, reportez-vous à la section **SmartThings (modèles applicables uniquement)**.

# Opérations

---

## SmartThings (modèles applicables uniquement)

---

### Installation

Rendez-vous sur Google Play Store, Galaxy Apps ou Apple App Store et recherchez « SmartThings ». Téléchargez et installez l'application SmartThings fournie par Samsung Electronics sur votre appareil intelligent.

#### REMARQUE

- La version du logiciel de soutien de l'application SmartThings est soumise à modifications en fonction de la politique de prise en charge du système d'exploitation fournie par le fabricant. En outre, comme pour l'application SmartThings ou les fonctions prises en charge par l'application, la nouvelle politique de mise à jour de l'application sur la version existante du système d'exploitation est susceptible d'être suspendue pour des raisons d'utilité ou de sécurité.
- L'application SmartThings est soumise à modification sans préavis pour en améliorer l'utilisation ou les performances. Étant donné que la version du système d'exploitation du téléphone portable est mise à jour chaque année, l'application SmartThings est également mise à jour en permanence en fonction du dernier système d'exploitation. Pour toute question concernant les éléments mentionnés ci-dessus, veuillez nous contacter à l'adresse [st.service@samsung.com](mailto:st.service@samsung.com).
- Les systèmes de codage recommandés incluent WPA/TKIP et WPA2/AES. Tous les protocoles d'authentification par connexion Wi-Fi plus récents ou non standard ne sont pas pris en charge.
- Les réseaux sans fil peuvent être affectés par l'environnement de communication sans fil autour.
- Si votre fournisseur de services Internet a enregistré l'adresse MAC de votre ordinateur ou de votre modem à des fins d'identification, il est possible que votre réfrigérateur intelligent Samsung ne parvienne pas à se connecter à Internet. Si c'est le cas, prenez contact avec votre fournisseur de services Internet pour bénéficier d'une assistance technique.
- Les paramètres de pare-feu de votre système réseau peuvent empêcher votre réfrigérateur intelligent Samsung d'accéder à Internet. Prenez contact avec votre fournisseur de services Internet pour bénéficier d'une assistance technique. Si ce symptôme persiste, prenez contact avec un centre de service Samsung local ou un revendeur.
- Pour configurer les paramètres du point d'accès sans fil, reportez-vous au manuel d'utilisation du point d'accès (routeur).
- Les réfrigérateurs intelligents Samsung prennent en charge la connexion Wi-Fi 2,4 GHz avec les protocoles IEEE 802.11 b/g/n et Soft-AP. (Le protocole IEEE 802.11 n est recommandé.)
- Les routeurs Wi-Fi sans fil non autorisés peuvent ne pas parvenir à se connecter aux réfrigérateurs intelligents Samsung applicables.

## Compte Samsung

Vous devez créer votre compte Samsung pour pouvoir utiliser l'application. Si vous n'avez pas de compte Samsung, suivez les instructions affichées sur l'écran de l'application pour créer un compte Samsung gratuit.

### Pour commencer

Allumez l'appareil que vous souhaitez connecter, ouvrez l'application SmartThings sur votre téléphone, puis suivez les instructions ci-dessous.

Si une fenêtre contextuelle apparaît en indiquant qu'un nouvel appareil a été détecté, appuyez sur **ADD NOW (AJOUTER MAINTENANT)**.

En l'absence de fenêtre contextuelle, appuyez sur le bouton **+**, puis sélectionnez l'appareil que vous souhaitez connecter dans la liste des appareils disponibles.

Si votre appareil ne figure pas dans la liste des appareils disponibles, appuyez sur **Supported Devices (Appareils pris en charge)**, sélectionnez le type d'appareil, à savoir Refrigerator (Réfrigérateur) et sélectionnez le modèle d'appareil spécifique.

Pour configurer votre appareil, suivez les instructions affichées dans l'application. Une fois la configuration terminée, votre réfrigérateur apparaît sous forme de « carte » sur l'écran de vos **Devices (Appareils)**.

### Commande intégrée


Vous pouvez surveiller et contrôler votre réfrigérateur chez vous et lorsque vous êtes en déplacement.

- Appuyez sur l'icône du réfrigérateur sur le Tableau de bord SmartThings, ou appuyez sur l'icône Devices (Appareils) en bas du Tableau de bord, puis appuyez sur la « carte » du réfrigérateur pour ouvrir la page Refrigerator (Réfrigérateur).
- Vérifiez l'état de fonctionnement ou l'absence de notifications relatives à votre réfrigérateur, puis modifiez des options ou réglages si nécessaire.

### REMARQUE

Certaines options ou certains réglages du réfrigérateur peuvent ne pas être disponibles pour la commande à distance.

# Opérations

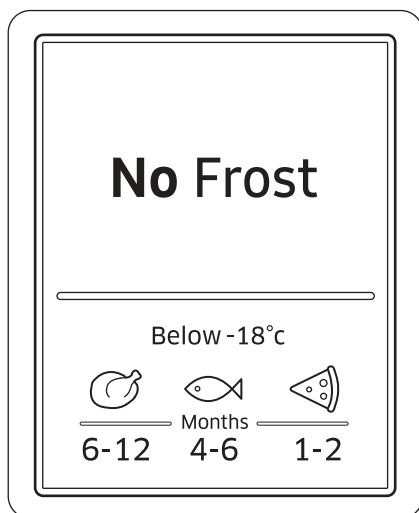
| Catégorie                                       | Élément   | Description  |
|---|---|--|
| Contrôle  | Température du réfrigérateur  | Affiche le réglage de température actuel du réfrigérateur.   |
|   | Température du congélateur  | Affiche le réglage de température actuel du congélateur.   |
| Fonctions                                       | Refroidissement rapide (modèles applicables uniquement)   | Vous pouvez activer ou désactiver la fonction Refroidissement rapide et vérifier les réglages actuels.             |
|   | Congélation rapide  | Vous pouvez activer ou désactiver la fonction Congélation rapide et vérifier les réglages actuels.                 |
|   | Température du réfrigérateur  | Vous pouvez régler la température souhaitée du réfrigérateur.  |
|   | Température du congélateur  | Vous pouvez régler la température souhaitée du congélateur.  |
| Alarmes   | Température anormalement élevée   | Cette alarme se déclenche lorsque le réfrigérateur ou le congélateur présente une température anormalement élevée. |
|   | Ouverture de la porte   | Cette alarme se déclenche lorsque la porte reste ouverte pendant plus de 2 minutes.                                |
| AI Energy Mode (modèles applicables uniquement) | <p>Vous pouvez activer ou désactiver l'AI Energy Mode dans le menu Energy de l'application SmartThings.</p> <p>Vous pouvez vérifier le statut de l'AI Energy Mode sur l'application SmartThings.</p> <p>Sur certains modèles, l'icône  apparaît sur le panneau principal pour indiquer que l'AI Energy Mode est activé. (modèles applicables uniquement)</p> <p>La désactivation de l'AI Energy Mode permet de réduire la consommation d'énergie, mais elle peut également détériorer les performances de refroidissement.</p> |  |

## Informations concernant les mises à jour de sécurité

Des mises à jour de sécurité sont fournies afin de renforcer la sécurité de votre appareil et pour protéger vos informations personnelles. Pour obtenir plus d'informations concernant les mises à jour de sécurité, rendez-vous sur le site <https://security.samsungda.com>.

\* Le site Web ne prend en charge que certaines langues.

## Informations relatives au stockage



Les chiffres marqués dans la partie inférieure de cette illustration indiquent la période de stockage pour les aliments représentés juste au-dessus. Par exemple, entre 4 et 6 mois pour du poisson.

### Pour congeler des aliments

1. Enveloppez les aliments de façon hermétique avec des matériaux d'emballage adaptés.
2. Rendez l'emballage hermétique.
3. Étiquetez l'emballage en indiquant son contenu et la date.

### Matériaux d'emballage

- Les matériaux adaptés pour emballer des aliments sont les suivants : film plastique, feuille soufflée en polyéthylène, papier aluminium et glacières.
- Les matériaux inadaptés pour emballer des aliments sont les suivants : papier d'emballage, papier sulfurisé, cellophane, sacs-poubelles et sacs de courses usagés.

### Matériaux d'hermétisation

Rubans élastiques, clips en plastique, ficelle, ruban adhésif résistant au froid ou d'autres matériaux similaires. Les sacs et films en polyéthylène peuvent être scellés à l'aide d'un isolant de film.

# Opérations

---

## Période de stockage des aliments surgelés

La période de stockage diffère selon le type d'aliments et la température de stockage. Les spécifications suivantes sont basées sur une température de -18 °C (0 °F) :

- Volaille fraîche (poulets entiers), viande fraîche (steaks, rôtis) : jusqu'à 12 mois
- Poisson (poisson maigre, poisson cuit), crevette fraîche, coquilles Saint Jacques, calmars : jusqu'à 6 mois
- Pizzas, saucisses : jusqu'à 2 mois

### REMARQUE

Pour en savoir plus, consultez le site Web de la FDA (<http://www.fda.gov/>).

## Décongélation

Vous pouvez décongeler les aliments surgelés des manières suivantes :

- Naturellement à température ambiante
- Naturellement dans le réfrigérateur
- En utilisant un four électrique avec ou sans apport de chaleur
- En utilisant un four à micro-ondes

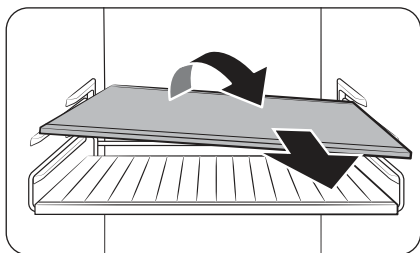
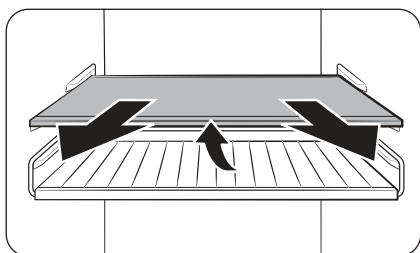
### REMARQUE

- Ne recongelez pas des aliments décongelés. Certaines parties des aliments peuvent ne pas se congeler complètement.
- Ne stockez pas les aliments surgelés plus longtemps que la durée maximale de stockage.

# Maintenance

## Utilisation et entretien

### Clayettes (réfrigérateur/congélateur) / Clayette à bouteilles de vin (modèles applicables uniquement)



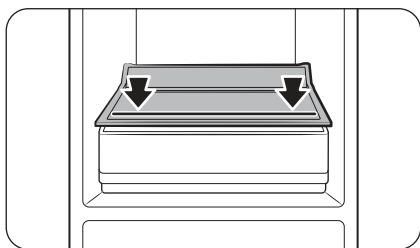
1. Tirez un peu la clayette (ou la clayette à bouteilles de vin) vers l'extérieur. Ensuite, tout en soulevant l'arrière, procédez au retrait en tirant.

2. Inclinez la clayette (ou la clayette à bouteilles de vin) en diagonale pour la retirer.

#### ⚠ ATTENTION

- La clayette doit être correctement insérée. Ne l'insérez pas à l'envers.
- Les récipients en verre peuvent rayer la surface des clayettes en verre.
- N'insérez pas de clayette à la place de la clayette à bouteilles de vin. Cela pourrait endommager le réfrigérateur. (modèles applicables uniquement)

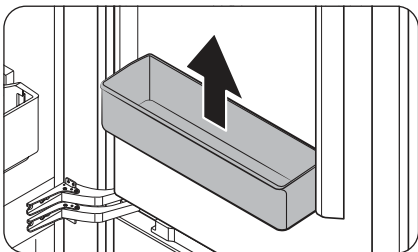
### Clayette à légumes (modèles applicables uniquement)



- Si votre modèle possède un seul tiroir dans le réfrigérateur, la clayette à légumes située juste au-dessus du tiroir a une ligne imprimée dessus. Lorsque vous stockez des éléments sur la clayette à légumes, assurez-vous de placer les éléments au niveau de la ligne imprimée.

# Maintenance

## Bac de la porte du réfrigérateur / Bac de porte Variety

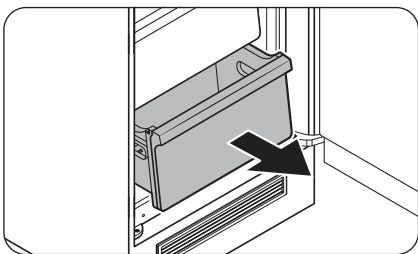


Tenez le bac de la porte à deux mains, puis soulevez-le pour le retirer.

**⚠ ATTENTION**

Pour éviter tout accident, videz les bacs de la porte avant de les retirer.

## Tiroir du réfrigérateur/congélateur



Soulevez doucement l'avant du tiroir et faites-le glisser pour le retirer.



---

## Nettoyage

---

### Intérieur et extérieur

#### AVERTISSEMENT

- Ne nettoyez pas l'appareil avec du benzène, du diluant, du vinaigre, de l'eau de Javel, du bicarbonate de soude, de l'acide citrique, des mélanges de sel ou du nettoyant domestique/pour voiture comme du Clorox™. Ces produits risquent d'endommager la surface du réfrigérateur et de provoquer un incendie.
- Évitez de vaporiser de l'eau directement sur le réfrigérateur. Risque d'électrocution.

À l'aide d'un chiffon sec, retirez régulièrement tous les corps étrangers, tels que la poussière ou l'eau, au niveau des broches de la fiche d'alimentation et des points de contact.

1. Débranchez le cordon d'alimentation.
2. Utilisez un chiffon doux non pelucheux humidifié ou une serviette en papier pour nettoyer l'intérieur et l'extérieur du réfrigérateur.
3. Ensuite, utilisez un chiffon sec ou une serviette en papier pour bien sécher les surfaces.
4. Branchez le cordon d'alimentation.

---

## Remplacement

---

### Ampoules DEL

Pour changer les ampoules du réfrigérateur, contactez votre centre de service Samsung local.

#### AVERTISSEMENT

- Les ampoules ne peuvent pas être remplacées par l'utilisateur. N'essayez pas de remplacer une ampoule par vous-même. Risque d'électrocution.

### Ampoule (source de lumière)

Ce produit contient une source lumineuse de classe d'efficacité énergétique <G>.

La ou les ampoule(s) et/ou le ou les mécanisme(s) de commande ne sont pas remplaçables par l'utilisateur. Pour remplacer la ou les ampoule(s) et/ou le ou les mécanisme(s) de commande de l'appareil, contactez un centre de service Samsung local.

Pour obtenir les instructions détaillées de remplacement pour la ou les ampoule(s) ou pour le ou les mécanisme(s) de commande de votre appareil, rendez-vous sur le site Internet de Samsung (<http://www.samsung.com>), allez dans Assistance > Assistance sur la page d'accueil, puis saisissez le nom du modèle.

Pour obtenir les instructions détaillées de démontage pour la ou les ampoule(s) et/ou pour le ou les mécanisme(s) de commande, suivez simplement les instructions de remplacement fournies, tel que décrit ci-dessus.

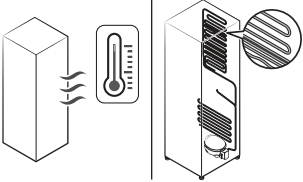
# Dépannage

Avant d'appeler pour obtenir de l'aide, parcourez les points de vérification ci-dessous. Tous les appels de dépannage concernant des situations normales (autres que des cas de défaut) seront facturés à l'utilisateur.

## Généralités

### Température

| Symptôme   | Causes possibles   | Solution  |
|--|--|---|
| Le réfrigérateur/<br>congélateur ne<br>fonctionne pas.<br>La température<br>du réfrigérateur/<br>congélateur est élevée. | <ul style="list-style-type: none"><li>Le cordon d'alimentation n'est pas branché correctement.</li></ul>   | <ul style="list-style-type: none"><li>Branchez correctement le cordon d'alimentation.</li></ul>   |
|  | <ul style="list-style-type: none"><li>La molette de contrôle de la température n'est pas réglée correctement.</li></ul>                                      | <ul style="list-style-type: none"><li>Baissez la température.</li></ul>   |
|  | <ul style="list-style-type: none"><li>Le réfrigérateur se trouve à proximité d'une source de chaleur ou est exposé à la lumière directe du soleil.</li></ul> | <ul style="list-style-type: none"><li>Assurez-vous que le réfrigérateur n'est pas exposé à la lumière directe du soleil et qu'il n'est pas à proximité d'une source de chaleur.</li></ul> |
|  | <ul style="list-style-type: none"><li>Le dégagement entre le réfrigérateur et les parois sur les côtés/à l'arrière n'est pas suffisant.</li></ul>            | <ul style="list-style-type: none"><li>Assurez-vous de laisser au moins 7 mm d'espace par rapport aux parois arrière et latérales du meuble.</li></ul>                                     |
|  | <ul style="list-style-type: none"><li>Le mode Absence est activé.</li></ul>  | <ul style="list-style-type: none"><li>Désactivez le mode Absence.</li></ul>   |
| Le réfrigérateur/<br>congélateur refroidit<br>trop.  | <ul style="list-style-type: none"><li>Le réfrigérateur est en surcharge. Des aliments bloquent les orifices de ventilation du réfrigérateur.</li></ul>       | <ul style="list-style-type: none"><li>Ne surchargez pas le réfrigérateur. Ne laissez pas des aliments bloquer la ventilation.</li></ul>   |
|  | <ul style="list-style-type: none"><li>La molette de contrôle de la température n'est pas réglée correctement.</li></ul>                                      | <ul style="list-style-type: none"><li>Augmentez la température.</li></ul>   |

| Symptôme                        | Causes possibles   | Solution  |
|---------------------------------|--|---|
| La paroi intérieure est chaude. | <ul style="list-style-type: none"> <li>Le réfrigérateur dispose de tuyaux résistants à la chaleur dans la paroi intérieure.</li> </ul> | <ul style="list-style-type: none"> <li>Pour prévenir la formation de condensation, le réfrigérateur est équipé de tuyaux résistants à la chaleur dans les coins à l'avant. Lorsque la température ambiante augmente, cet équipement peut ne pas fonctionner correctement. Il ne s'agit pas d'un dysfonctionnement du système.</li> </ul>  |

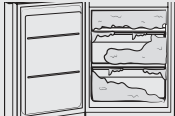
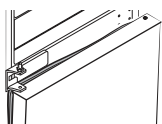
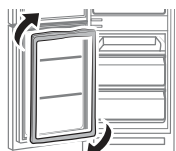
## Odeurs

| Symptôme                            | Causes possibles  | Solution   |
|-------------------------------------|---|--|
| Le réfrigérateur dégage des odeurs. | <ul style="list-style-type: none"> <li>Aliments abîmés.</li> </ul>        | <ul style="list-style-type: none"> <li>Nettoyez le réfrigérateur et retirez les aliments abîmés.</li> </ul>                        |
|                                     | <ul style="list-style-type: none"> <li>Aliments très odorants.</li> </ul> | <ul style="list-style-type: none"> <li>Assurez-vous que les aliments à forte odeur sont emballés de manière hermétique.</li> </ul> |

## Givre

| Symptôme  | Causes possibles   | Solution   |
|---|--|--|
| Présence de givre autour des orifices de ventilation. | <ul style="list-style-type: none"> <li>Des aliments bloquent les orifices de ventilation.</li> </ul>                                   | <ul style="list-style-type: none"> <li>Assurez-vous qu'aucun aliment ne bloque les orifices de ventilation du réfrigérateur.</li> </ul>  |
| Présence de givre sur les parois intérieures.         | <ul style="list-style-type: none"> <li>La porte est mal fermée.</li> </ul>   | <ul style="list-style-type: none"> <li>Assurez-vous que les aliments ne bloquent pas la porte. Nettoyez le joint de la porte.</li> </ul> |
| Les fruits ou légumes sont congelés.                  | <ul style="list-style-type: none"> <li>Les fruits ou légumes sont stockés dans la Zone fraîche/Zone à température réglable.</li> </ul> | <ul style="list-style-type: none"> <li>La Zone fraîche/Zone à température réglable est réservée à la viande/au poisson.</li> </ul>       |

# Dépannage

| Symptôme   | Causes possibles   | Solution  |
|--|--|---|
| <p>Une quantité excessive de givre s'accumule dans le congélateur.</p>  | <ul style="list-style-type: none"> <li>La porte ne se ferme pas de manière complètement hermétique car le joint de la porte n'a pas été inversé après l'inversion des portes.</li> </ul>  | <ul style="list-style-type: none"> <li>Détachez le joint de la porte, puis fixez-le après une rotation de 180°.</li> </ul>  |

## Condensation

| Symptôme   | Causes possibles  | Solution  |
|--|---|---|
| <p>De la condensation se forme sur les parois intérieures.</p> | <ul style="list-style-type: none"> <li>Si la porte est laissée ouverte, de l'humidité pénètre dans le réfrigérateur.</li> </ul> | <ul style="list-style-type: none"> <li>Éliminez l'humidité et ne laissez pas la porte ouverte pendant une période prolongée.</li> </ul> |
|  | <ul style="list-style-type: none"> <li>Aliments avec une forte teneur en humidité.</li> </ul>                                   | <ul style="list-style-type: none"> <li>Assurez-vous que les aliments sont emballés de manière hermétique.</li> </ul>                    |

## Alarme

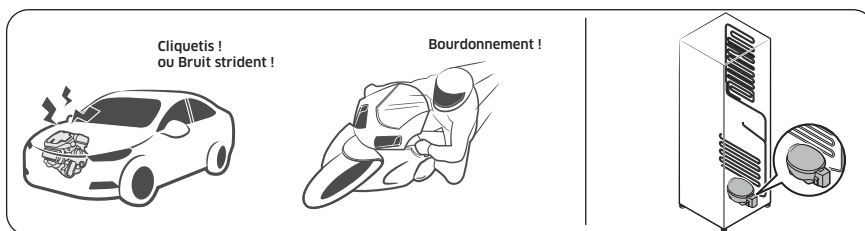
| Symptôme                    | Causes possibles   | Solution   |
|-----------------------------|--|--|
| <p>Une alarme retentit.</p> | <ul style="list-style-type: none"> <li>Si la porte est laissée ouverte pendant plus de deux minutes, l'alarme retentit jusqu'à ce que la porte soit fermée.</li> </ul> | <ul style="list-style-type: none"> <li>Appuyez sur n'importe quel bouton pour couper l'alarme. Contactez un centre de service Samsung local si l'alarme retentit à nouveau après 12 heures.</li> </ul> |

## Entendez-vous des sons anormaux provenant du réfrigérateur ?

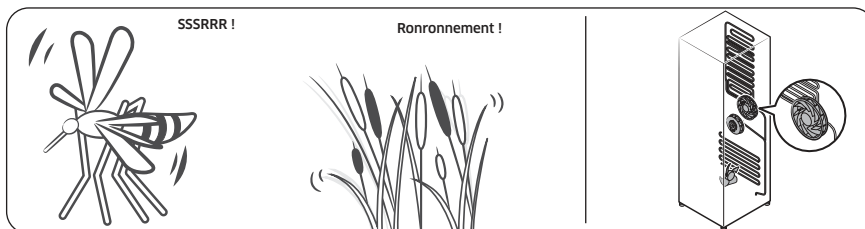
Avant d'appeler pour obtenir de l'aide, parcourez les points de vérification ci-dessous. Tous les appels d'assistance concernant des bruits normaux seront facturés à l'utilisateur.

### Ces sons sont tout à fait normaux.

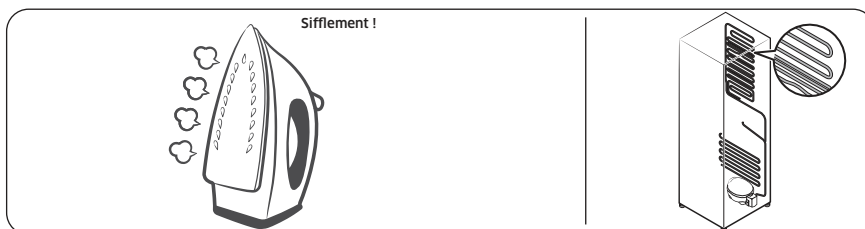
- Lorsque vous commencez ou terminez une opération, il se peut que le réfrigérateur émette des sons similaires à l'allumage du moteur d'une voiture. Lorsque l'opération se stabilise, les sons s'atténuent.



- Lorsque le ventilateur est en marche, ces sons peuvent être émis. Lorsque le réfrigérateur atteint la température réglée, aucun son de ventilateur n'est émis.

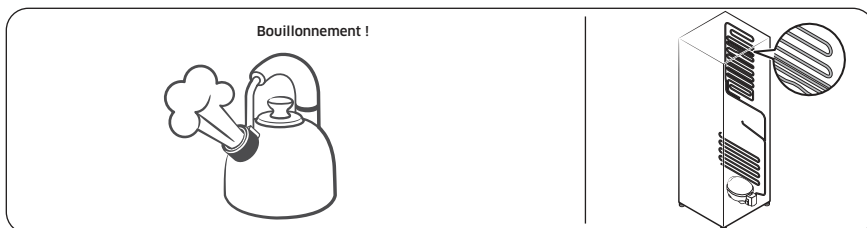


- Pendant le cycle de décongélation, il se peut que de l'eau goutte sur la résistance de décongélation, générant alors des sons de grésillement.

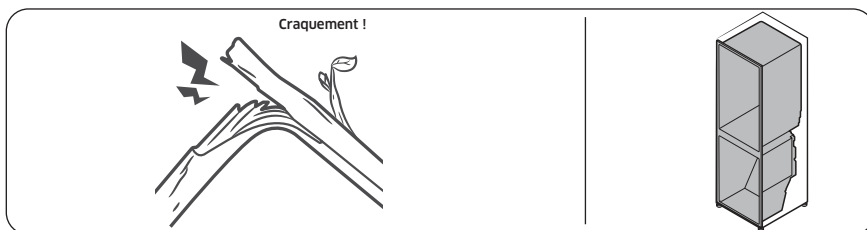


# Dépannage

- À mesure que le réfrigérateur refroidit ou congèle, du gaz réfrigérant circule dans les tuyaux hermétiques, provoquant alors des sons de bouillonnement.




- À mesure que la température du réfrigérateur augmente ou baisse, les pièces en plastique se contractent ou se détendent, créant alors des bruits de craquement. Ces bruits sont produits pendant le cycle de décongélation ou lorsque les pièces électroniques fonctionnent.



- Pour les modèles avec machine à glaçons : Lorsque la vanne d'eau s'ouvre pour remplir la machine à glaçons, des sons de bourdonnement peuvent être émis.
- En raison de l'égalisation de la pression lors de l'ouverture et de la fermeture de la porte du réfrigérateur, des sons de souffle peuvent être émis.

## SmartThings (modèles applicables uniquement)

| Symptôme   | Action   |
|--|--|
| L'application « SmartThings » est introuvable sur le marché des applications.  | <ul style="list-style-type: none"><li>• La version du logiciel de soutien de l'application SmartThings est soumise à modifications en fonction de la politique de prise en charge du système d'exploitation fournie par le fabricant. En outre, comme pour l'application SmartThings ou les fonctions prises en charge par l'application, la nouvelle politique de mise à jour de l'application sur la version existante du système d'exploitation est susceptible d'être suspendue pour des raisons d'utilité ou de sécurité.</li></ul> |
| L'application SmartThings ne fonctionne pas.   | <ul style="list-style-type: none"><li>• L'application SmartThings est disponible pour les modèles applicables uniquement.</li><li>• L'ancienne application Samsung Smart Refrigerator ne peut pas se connecter à des modèles pour Samsung Smart Home.</li></ul>  |
| L'application SmartThings est installée mais n'est pas connectée à mon réfrigérateur.  | <ul style="list-style-type: none"><li>• Vous devez vous connecter à votre compte Samsung pour pouvoir utiliser l'application.</li><li>• Assurez-vous que votre routeur fonctionne normalement.</li><li>• Si l'icône de connexion Wi-Fi est éteinte sur l'écran du réfrigérateur, cela indique qu'aucune connexion au réseau n'a encore été établie. Dans ce cas, utilisez l'application SmartThings pour connecter et enregistrer votre réfrigérateur au point d'accès (PA) de votre maison.</li></ul>                                   |
| Impossible de se connecter à l'application.  | <ul style="list-style-type: none"><li>• Vous devez vous connecter à votre compte Samsung pour pouvoir utiliser l'application.</li><li>• Si vous n'avez pas de compte Samsung, suivez les instructions affichées sur l'écran de l'application pour en créer un.</li></ul>   |
| Un message d'erreur apparaît lorsque j'essaie d'enregistrer mon réfrigérateur.   | <ul style="list-style-type: none"><li>• La fonction Easy Connection (Connexion facile) peut échouer en raison de la distance par rapport au point d'accès ou d'interférences électriques provenant de l'environnement. Attendez un moment puis réessayez.</li></ul>  |
| L'application SmartThings est bien connectée à mon réfrigérateur mais ne fonctionne pas.                                     | <ul style="list-style-type: none"><li>• Quittez puis relancez l'application SmartThings, ou déconnectez et reconnectez le routeur.</li><li>• Mettez le réfrigérateur hors tension, puis remettez-le sous tension après 1 minute.</li></ul>   |
| L'icône de connexion Wi-Fi clignote. (  ) | <ul style="list-style-type: none"><li>• Avant toute utilisation, connectez votre réfrigérateur à l'application SmartThings. Une fois la connexion établie avec succès, le voyant arrête de clignoter.<ul style="list-style-type: none"><li>- Si vous ne parvenez pas à établir la connexion ou ne souhaitez pas utiliser l'application, maintenez le bouton <b>Fridge (Réfrigérateur)</b> enfoncé pendant 10 secondes. Le voyant cesse de clignoter.</li></ul></li></ul>   |

# Annexe

## Consignes de sécurité

- Pour garantir l'utilisation la plus optimale de l'énergie, veuillez laisser tous les accessoires internes tels que les paniers, les tiroirs, les clayettes et le bac à glaçons sur leur position indiquée par le fabricant.

## Instructions d'installation

### Pour les appareils de réfrigération avec classe climatique

Selon la classe climatique, cet appareil de réfrigération est destiné à être utilisé dans une plage de températures ambiantes telle que spécifiée dans le tableau suivant.

La classe climatique figure sur la plaque signalétique. L'appareil peut ne pas fonctionner correctement s'il est utilisé à des températures situées en dehors de la plage spécifiée.

La classe climatique figure sur l'étiquette apposée à l'intérieur de votre réfrigérateur.

### Plage de température efficace

Le réfrigérateur a été conçu pour un fonctionnement normal dans la plage de températures spécifiée par sa classe énergétique nominale.

| Classe                | Symbole | Plage de températures ambiante (°C) |           |
|-----------------------|---------|-------------------------------------|-----------|
|                       |         | IEC 62552 (ISO 15502)               | ISO 8561  |
| Climat tempéré étendu | SN      | +10 à +32                           | +10 à +32 |
| Climat tempéré        | N       | +16 à +32                           | +16 à +32 |
| Climat subtropical    | ST      | +16 à +38                           | +18 à +38 |
| Climat tropical       | T       | +16 à +43                           | +18 à +43 |

### REMARQUE

Les performances de refroidissement et la consommation électrique du réfrigérateur peuvent être affectées par la température ambiante, la fréquence d'ouverture de la porte et l'emplacement du réfrigérateur. Nous vous recommandons de régler les réglages de température comme approprié.



## Consignes relatives à la température

### Température recommandée

Réglage de température optimal pour le stockage d'aliments :

- Fridge (Réfrigérateur) : 3 °C
- Freezer (Congélateur) : -19 °C

#### REMARQUE

La température optimale de chaque compartiment dépend de la température ambiante. La température optimale ci-dessus a été déterminée pour une température ambiante de 25 °C.

### Refroidissement rapide

La fonction Refroidissement rapide accélère le processus de refroidissement avec le ventilateur à vitesse maximale. Le réfrigérateur continue de fonctionner à vitesse maximale pendant deux heures et demie, avant de revenir à la température précédente.

### Congélation rapide

La fonction Congélation rapide accélère le processus de congélation avec le ventilateur à vitesse maximale. Le congélateur fonctionne à vitesse maximale durant 50 heures avant de revenir à la température précédente. Pour congeler une grande quantité d'aliments, activez la fonction Congélation rapide au moins 20 heures avant de placer les aliments dans le congélateur.

#### REMARQUE

Lorsque vous utilisez cette fonction, la consommation d'énergie du réfrigérateur augmente. N'oubliez pas de la désactiver lorsque vous n'en avez plus besoin et de régler à nouveau la température d'origine.

### Conseils de stockage pour une préservation optimale (modèles applicables uniquement)

Recouvrez les aliments afin de conserver leur humidité et éviter qu'ils ne récupèrent les odeurs des autres aliments. Pour une grande casserole contenant des aliments tels que de la soupe ou un ragoût, veuillez répartir son contenu en plusieurs portions plus petites que vous mettrez dans des récipients peu profonds avant de les mettre au réfrigérateur. Pour un gros morceau de viande ou un poulet entier, veuillez le couper en morceaux de plus petite taille ou le placer dans des récipients peu profonds avant de le mettre au réfrigérateur.

#### Positionnement des aliments

|  |   |
|--|---|
| Clayettes  | Les clayettes sont réglables afin de pouvoir les adapter aux divers emballages.   |
| Compartiment spécialisé (modèles applicables uniquement) | Les tiroirs à légumes étanches offrent un environnement de stockage optimal pour les fruits et légumes. Les légumes requièrent un taux d'humidité élevé tandis que les fruits ont besoin d'un faible taux d'humidité.<br>Les tiroirs à légumes sont équipés de dispositifs de contrôle permettant de réguler le taux d'humidité. (*Selon le modèle et les options disponibles) Un tiroir à viande à température réglable optimise le temps de stockage des viandes et fromages. |

# Annexe

|                             |   |
|-----------------------------|---|
| Stockage dans la porte      | Ne stockez pas les denrées périssables dans la porte. Les œufs doivent être stockés dans leur emballage en carton sur une clayette. La température des bacs de stockage de la porte fluctue davantage que celle dans le compartiment. Maintenez la porte fermée le plus possible. |
| Compartiment du congélateur | Vous pouvez stocker des aliments surgelés, faire des glaçons et congeler des aliments frais dans le compartiment du congélateur.  |

## REMARQUE

Congelez uniquement des aliments frais et non abîmés. Conservez les aliments devant être congelés loin des aliments déjà congelés. Pour prévenir la perte de saveur ou le séchage des aliments, placez-les dans des récipients hermétiques.

### Tableau des périodes de stockage au réfrigérateur et au congélateur

La durabilité de la fraîcheur des aliments dépend de la température et de l'exposition à l'humidité. Étant donné que les dates des produits n'indiquent pas comment utiliser les produits en toute sécurité, reportez-vous à ce tableau et suivez les conseils qui y figurent.

#### Produits laitiers

| Produit            | Réfrigérateur | Congélateur    |
|--------------------|---------------|----------------|
| Lait               | 1 semaine     | 1 mois         |
| Beurre             | 2 semaines    | 12 mois        |
| Crème glacée       | -             | 2 à 3 semaines |
| Fromage naturel    | 1 mois        | 4 à 6 mois     |
| Fromage à la crème | 2 semaines    | Non recommandé |
| Yaourt             | 1 mois        | -              |

#### Viande

| Produit  | Réfrigérateur | Congélateur |
|--|---------------|-------------|
| Rôtis frais, steaks frais, côtelettes fraîches | 3 à 4 jours   | 2 à 3 mois  |
| Viande crue fraîche, bœuf à braiser            | 1 à 2 jours   | 3 à 4 mois  |
| Bacon  | 7 jours       | 1 mois      |
| Saucisses, viande crue de porc, bœuf, dinde    | 1 à 2 jours   | 1 à 2 mois  |

### Volaille / Œufs

| Produit                        | Réfrigérateur  | Congélateur    |
|--------------------------------|----------------|----------------|
| Viande de volaille fraîche     | 2 jours        | 6 à 8 mois     |
| Salade à la volaille           | 1 jour         | -              |
| Œufs, frais dans leur coquille | 2 à 4 semaines | Non recommandé |

### Poisson / Fruits de la mer

| Produit                 | Réfrigérateur  | Congélateur    |
|-------------------------|----------------|----------------|
| Poisson frais           | 1 à 2 jours    | 3 à 6 mois     |
| Poisson cuit            | 3 à 4 jours    | 1 mois         |
| Salade au poisson       | 1 jour         | Non recommandé |
| Poisson séché ou mariné | 3 à 4 semaines | -              |

### Fruits

| Produit             | Réfrigérateur  | Congélateur |
|---------------------|----------------|-------------|
| Pommes              | 1 mois         | -           |
| Pêches              | 2 à 3 semaines | -           |
| Ananas              | 1 semaine      | -           |
| Autres fruits frais | 3 à 5 jours    | 9 à 12 mois |

### Légumes

| Produit  | Réfrigérateur | Congélateur |
|--|---------------|-------------|
| Asperges   | 2 à 3 jours   | -           |
| Brocoli, chou de Bruxelles, petits pois, champignons | 3 à 5 jours   | -           |
| Chou, chou-fleur, céleri, concombre, laitue          | 1 semaine     | -           |
| Carottes, betteraves, radis                          | 2 semaines    | -           |

# Annexe

---

## Informations du modèle et commande de pièces de rechange

---

### Informations du modèle

Pour accéder aux informations relatives à l'étiquetage énergétique de cet appareil sur le Registre européen des produits pour l'étiquetage énergétique (EPREL), scannez le code QR figurant sur l'étiquette énergétique. Le code QR se trouve sur l'étiquette énergétique apposée sur l'emballage de votre appareil.

### Informations sur les pièces

- Période minimale de disponibilité des pièces de rechange nécessaires à la réparation de l'appareil
  - 7 ans pour les thermostats, capteurs de température, cartes de circuit imprimé et sources d'éclairage, poignées de porte, charnières de porte, bacs, paniers (boîtes ou tiroirs)
  - 10 ans pour les joints de porte
- La période minimale de garantie fournie par le fabricant pour l'appareil de réfrigération est de 24 mois.
- Informations pertinentes pour commander des pièces de rechange, directement ou via d'autres intermédiaires proposés par le fabricant, l'importateur ou le représentant agréé
- Vous trouverez des informations pour une réparation par des professionnels sur le site Internet <http://samsung.com/support>.  
Vous trouverez le guide de réparation pour l'utilisateur sur le site Internet <http://samsung.com/support>.

# Open Source Announcement

---

## Open Source Announcement

---

The software included in this product contains open source software. You may obtain the complete corresponding source code for a period of three years after the last shipment of this product by contacting our support team via <http://opensource.samsung.com> (Please use the "Inquiry" menu.)

It is also possible to obtain the complete corresponding source code in a physical medium such as a CD-ROM; a minimal charge will be required.

The following URL [http://opensource.samsung.com/opensource/COMMON\\_TZ6\\_0/seq/0](http://opensource.samsung.com/opensource/COMMON_TZ6_0/seq/0) leads to the open source license information as related to this product. This offer is valid to anyone in receipt of this information.



# Mémo

---

# Mémo

---

## REMARQUE

Par la présente, Samsung déclare que cet équipement radio est conforme à la Directive 2014/53/UE et aux exigences légales pertinentes en vigueur au Royaume-Uni.

L'intégralité du texte de la déclaration de conformité de l'UE et de la déclaration de conformité du Royaume-Uni est accessible via l'URL suivante : La déclaration de conformité officielle est accessible à l'adresse <http://www.samsung.com>, en cliquant sur Support (Assistance) > Search Product Support (Obtenir une assistance produits), puis en saisissant le nom du modèle.

|                     | Plage de fréquences | Puissance de l'émetteur (maximale) |
|---------------------|---------------------|------------------------------------|
| Connexion Wi-Fi     | 2412 à 2472 MHz     | 20 dBm                             |
| Connexion Bluetooth | 2402 à 2480 MHz     | 20 dBm                             |

|             |   |   |
|-------------|---|---|
| FRANCE      | 01 48 63 00 00  | <a href="http://www.samsung.com/fr/support">www.samsung.com/fr/support</a>  |
| GERMANY     | 06196 77 555 77   | <a href="http://www.samsung.com/de/support">www.samsung.com/de/support</a>  |
| LUXEMBURG   | 261 03 710  | <a href="http://www.samsung.com/be_fr/support">www.samsung.com/be_fr/support</a>  |
| NETHERLANDS | 088 90 90 100   | <a href="http://www.samsung.com/nl/support">www.samsung.com/nl/support</a>  |
| BELGIUM     | 02-201-24-18  | <a href="http://www.samsung.com/be/support">www.samsung.com/be/support</a> (Dutch)<br><a href="http://www.samsung.com/be_fr/support">www.samsung.com/be_fr/support</a> (French) |
| NORWAY      | 21629099  | <a href="http://www.samsung.com/no/support">www.samsung.com/no/support</a>  |
| DENMARK     | 707 019 70  | <a href="http://www.samsung.com/dk/support">www.samsung.com/dk/support</a>  |
| FINLAND     | 030-6227 515  | <a href="http://www.samsung.com/fi/support">www.samsung.com/fi/support</a>  |
| SWEDEN      | 0771-400 300  | <a href="http://www.samsung.com/se/support">www.samsung.com/se/support</a>  |
| CYPRUS      | 8009 4000 only from landline, toll free   | <a href="http://www.samsung.com/gr/support">www.samsung.com/gr/support</a>  |
| GREECE      | 80111-SAMSUNG (80111 726 7864) only from land line<br>(+30) 210 6897691 from mobile and land line |   |
| ITALIA      | 800-SAMSUNG (800.7267864)   | <a href="http://www.samsung.com/it/support">www.samsung.com/it/support</a>  |
| PORTUGAL    | 210 608 098<br>Chamada para a rede fixa nacional<br>Dias úteis das 9h às 20h                      | <a href="http://www.samsung.com/pt/support">www.samsung.com/pt/support</a>  |
| SPAIN       | 91 175 00 15  | <a href="http://www.samsung.com/es/support">www.samsung.com/es/support</a>  |





# Frigorifero

---

## Manuale dell'utente

---

Apparecchio da incasso

**SAMSUNG**

# Indice

---

|   |           |
|---|-----------|
| <b>Informazioni di sicurezza</b>  | <b>3</b>  |
| Cosa è necessario sapere sulle istruzioni di sicurezza                                | 3         |
| Simboli di sicurezza e precauzioni importanti:  | 6         |
| Importanti istruzioni di sicurezza  | 7         |
| Simboli relativi a importanti avvertenze per il trasporto e il luogo di installazione | 11        |
| Avvertenze per installazioni critiche   | 11        |
| Precauzioni per l'installazione   | 16        |
| Importanti avvertenze per l'uso   | 16        |
| Precauzioni per l'uso   | 21        |
| Avvertenze per la pulizia   | 24        |
| Importanti avvertenze per la pulizia  | 26        |
| Ulteriori suggerimenti per un uso corretto  | 27        |
| Informazioni sul simbolo WEEE (RAEE)  | 29        |
| <b>Installazione</b>  | <b>30</b> |
| Il frigorifero in breve   | 30        |
| Passaggi di installazione   | 31        |
| <b>Funzionamento</b>  | <b>42</b> |
| Pannello principale   | 42        |
| SmartThings (solo modelli relativi)   | 47        |
| Informazioni sulla conservazione  | 50        |
| <b>Manutenzione</b>   | <b>52</b> |
| Pulizia e manutenzione  | 52        |
| Pulizia   | 54        |
| Sostituzione  | 54        |
| <b>Risoluzione dei problemi</b>   | <b>55</b> |
| Generale  | 55        |
| Si avvertono rumori anomali provenire dal frigorifero?                                | 58        |
| SmartThings (solo modelli relativi)   | 60        |
| <b>Appendice</b>  | <b>61</b> |
| Istruzioni di sicurezza   | 61        |
| Istruzioni di installazione   | 61        |
| Istruzioni sulla temperatura  | 62        |
| Informazioni sul modello e l'ordinazione di parti di ricambio                         | 65        |
| <b>Open Source Announcement</b>   | <b>66</b> |
| Open Source Announcement  | 66        |

# Informazioni di sicurezza

---

Prima di utilizzare il nuovo frigorifero Samsung, leggere completamente questo manuale in modo da conoscerne le caratteristiche e le funzioni così da utilizzare l'apparecchio in modo sicuro ed efficiente.

## Cosa è necessario sapere sulle istruzioni di sicurezza

---

- Le avvertenze e le importanti istruzioni di sicurezza riportate in questo manuale non coprono tutte le possibili condizioni e situazioni che possono verificarsi. E' responsabilità dell'utente utilizzare l'apparecchio con buon senso, prestando la massima attenzione e cura in fase di installazione, manutenzione e funzionamento.
- Poiché le seguenti istruzioni operative coprono i vari modelli disponibili, le caratteristiche del frigorifero possono differire da quelle descritte in questo manuale e non tutti i simboli di avvertenza possono essere applicabili. In caso di dubbi o domande rivolgersi al centro assistenza di zona o visitare il sito [www.samsung.com](http://www.samsung.com) per reperire le informazioni necessarie.
- Come refrigerante vengono utilizzati i gas R-600a o R-134a. Controllare l'etichetta del compressore sul retro dell'apparecchio e l'etichetta della potenza nominale all'interno del frigorifero per individuare il tipo di refrigerante utilizzato. Se il prodotto contiene gas infiammabile (refrigerante R-600a), contattare l'ente locale preposto per lo smaltimento sicuro di questo prodotto.
- Per evitare la possibile formazione di una miscela di aria e gas infiammabile, in caso di una perdita nel circuito di raffreddamento, la dimensione del locale in cui viene installato il prodotto deve essere adeguata alla quantità di refrigerante utilizzato.

## Informazioni di sicurezza

---

- L'esecuzione autonoma della manutenzione di questo apparecchio può essere pericolosa; per esigenze di manutenzione, rivolgersi ad un Centro di assistenza autorizzato.
- Non attivare mai un apparecchio che mostri chiari segni di danni. In caso di dubbi, consultare il rivenditore. La dimensione del locale dovrebbe essere calcolata considerando 1 m<sup>3</sup> di spazio per ogni 8 g di refrigerante R-600a contenuto nell'apparecchio. La quantità di refrigerante utilizzata nell'apparecchio è indicata nella targhetta identificativa all'interno dell'unità.
- Eventuali schizzi di refrigerante fuoriuscito dalle tubazioni possono provocare incendio o lesioni oculari. In caso di perdita di refrigerante dalle tubazioni, evitare il contatto del prodotto con fiamme libere o qualsiasi altra fonte infiammabile e ventilare immediatamente il locale.
  - La mancata osservanza di questa precauzione può causare un incendio o una esplosione.
- Al fine di evitare una contaminazione dei cibi, rispettare le seguenti istruzioni:
  - L'apertura per lunghi periodi di tempo della porta può provocare un significativo innalzamento della temperatura interna.
  - Pulire regolarmente la superficie interna che entra a contatto con i cibi ed i sistemi di scolo accessibili.
  - Pulire i serbatoi dell'acqua qualora non vengano utilizzati per 48 ore; azionare i sistemi di erogazione dell'acqua collegati alle tubazioni di mandata qualora non vengano utilizzati per 5 giorni.

- 
- Conservare la carne ed il pesce in idonei contenitori all'interno del frigorifero, così che non possano colare liquidi o possano entrare in contatto con altri cibi.
  - Gli scomparti a due stelle per il congelamento dei cibi sono idonei alla conservazione di cibi pre-congelati, la conservazione o produzione di gelati e la formazione o conservazione di cubetti di ghiaccio.
  - Gli scomparti a una, due o tre stelle non sono idonei per il congelamento di cibi freschi.
  - Se il frigorifero viene lasciato vuoto per lunghi periodi di tempo, spegnerlo, scongelarlo, pulirlo ed asciugarlo lasciando la porta aperta al fine di prevenire la formazione di muffa al suo interno.

# Informazioni di sicurezza

---

## Simboli di sicurezza e precauzioni importanti:

---

Seguire le istruzioni per la sicurezza riportate in questo manuale. Questo manuale utilizza la seguente simbologia di sicurezza.

### **AVVERTENZA**

Pericoli o pratiche non sicure che possono causare **lesioni personali gravi e/o danni alla proprietà, o causare la morte.**

### **ATTENZIONE**

Pericoli o pratiche non sicure che possono causare **lesioni personali gravi e/o danni alla proprietà.**

### **NOTA**

Informazioni utili che aiutano l'utente a comprendere o beneficiare dell'uso del frigorifero.

Questi simboli di avvertenza hanno lo scopo di prevenire lesioni personali.

Seguire attentamente le istruzioni ad essi associate.

Una volta letto, si raccomanda di conservare il manuale in un luogo sicuro per future consultazioni.

---

## Importanti istruzioni di sicurezza

---



**ATTENZIONE:** Rischio di incendio / materiali infiammabili

### **AVVERTENZA**

- Nel posizionare l'apparecchio, assicurarsi che il cavo di alimentazione non sia impigliato o danneggiato.
- Non posizionare multiprese o alimentatori portatili sul retro dell'apparecchio.
- Mantenere libere le aperture predisposte nella struttura di montaggio o nel mobile a incasso per la ventilazione dell'apparecchio.
- Per accelerare il processo di sbrinamento, non utilizzare dispositivi meccanici o altri mezzi diversi da quelli consigliati dal costruttore.
- Non danneggiare il circuito refrigerante.
- Non usare apparecchi elettrici all'interno dei compartimenti di conservazione del cibo, a meno che non siano consigliati dal costruttore.
  
- Questo apparecchio non è inteso per l'uso da parte di persone (bambini inclusi) che abbiano ridotte capacità fisiche, sensoriali o mentali, o siano prive di esperienza o conoscenza, a meno che siano state fornite loro istruzioni per l'uso da parte di una persona responsabile della loro sicurezza o che sovrintenda all'uso dell'apparecchio.

## Informazioni di sicurezza

---

- Questo apparecchio può essere utilizzato da bambini di età superiore agli 8 anni e da persone con ridotte capacità fisiche, sensoriali o mentali o senza esperienza o conoscenza del prodotto solo sotto la supervisione di una persona responsabile o nel caso in cui abbiano ricevuto informazioni specifiche sull'uso sicuro dell'apparecchio e ne abbiano compreso i rischi ad esso associati. Non consentire ai bambini di giocare con l'apparecchio. La pulizia e la manutenzione dell'apparecchio non devono essere eseguite da bambini senza la supervisione di un adulto. L'inserimento e l'estrazione del cibo nel frigorifero è consentito ai bambini tra i 3 e gli 8 anni.
- Se il cavo di alimentazione è danneggiato, richiederne la sostituzione al produttore, a un tecnico dell'assistenza o un tecnico specializzato al fine di evitare potenziali pericoli
- La presa deve essere sempre facilmente accessibile in modo da poter rapidamente scollegare l'apparecchio dalla corrente elettrica in caso di una emergenza.
  - Deve essere situata al di fuori dell'area posteriore del frigorifero.
- Non conservare sostanze potenzialmente esplosive, come bombolette spray contenenti gas infiammabili, all'interno di questo apparecchio.
- Se il prodotto è dotato di lampadine LED, non disassemblare l'assieme coprilampada/lampada LED autonomamente.
  - Contattare un Centro di assistenza Samsung.
  - Utilizzare solo lampade LED fornite dal costruttore o dal centro assistenza.



- 
- Se una lampadina a LED interna o esterna si brucia, contattare l'assistenza.
  - Per i migliori risultati in termini di efficienza energetica, tenere tutti gli accessori interni quali cestelli, cassette e ripiani nella posizione indicata dal costruttore.
  - Perché questo prodotto mantenga la migliore efficienza energetica, lasciare tutti i ripiani, i cassette e i cestelli nella loro posizione originaria.

### **Come ridurre al minimo il consumo energetico**

- Installare l'apparecchio in un luogo fresco, asciutto e dotato di adeguata ventilazione.
- Accertarsi che non sia esposto a luce solare diretta e non sia installato vicino a una fonte diretta di calore (un calorifero, ad esempio).
  - Si raccomanda di non ostruire le ventole e le griglie di ventilazione per garantire l'efficienza energetica.
  - Lasciare che il cibo caldo si raffreddi prima di riporlo nell'apparecchio.
  - Per scongelare i surgelati, collocarli in frigorifero. Le basse temperature dei surgelati consentono inoltre di rinfrescare ulteriormente gli alimenti presenti in frigorifero.
  - Nel riporre o estrarre gli alimenti, non tenere per molto tempo la porta aperta.
  - Minore è il tempo di apertura, minore è il ghiaccio che si forma nel freezer.
  - Pulire il retro del frigorifero regolarmente. La polvere che si accumula aumenta il consumo di corrente.

## Informazioni di sicurezza

---

- Non impostare una temperatura più bassa del necessario.
- Garantire una ventilazione sufficiente alla base e sul retro del frigorifero. Non coprire le aperture di ventilazione.
- Durante l'installazione, lasciare sufficiente spazio sui lati, sul retro e in alto per consentire la circolazione dell'aria. Ciò consentirà di ridurre sia il consumo energetico sia il costo della bolletta elettrica.
- Selezionare un vano con una profondità di 560 mm. Un vano meno profondo comporterà un maggiore consumo energetico.

**Questo apparecchio è progettato per un uso domestico o applicazioni simili quali**

- angoli cottura per il personale di punti vendita, uffici e altri ambienti lavorativi;
- fattorie/aziende agricole e per l'uso dei clienti in hotel, motel e altri ambiti residenziali;
- ambienti di tipo bed and breakfast;
- catering e applicazioni simili non-retail.

---

## Simboli relativi a importanti avvertenze per il trasporto e il luogo di installazione

---

### **AVVERTENZA**

- Durante il trasporto e l'installazione dell'apparecchio, prestare attenzione a non danneggiare alcuna parte del circuito refrigerante.
  - Una perdita di refrigerante dalla tubazione può infiammarsi o causare lesioni oculari. Se si rileva una perdita, evitare l'uso di fiamme libere o potenziali fonti di accensione nei pressi e aerare il locale per alcuni minuti.
  - Questo apparecchio contiene, come refrigerante, una minima quantità di isobutano (R-600a), il quale, nonostante sia un gas naturale a basso impatto ambientale, è comunque combustibile. Durante il trasporto e l'installazione dell'apparecchio, prestare attenzione a non danneggiare alcuna parte del circuito refrigerante.

## Avvertenze per installazioni critiche

---

### **AVVERTENZA**

- Non installare il frigorifero in un luogo umido o dove possa entrare a contatto con acqua.
  - L'usura del rivestimento isolante delle parti elettriche può causare scariche elettriche o un incendio.

## Informazioni di sicurezza

---

- Non collocare il frigorifero in una posizione esposta alla luce solare diretta o al calore di stufe, radiatori o altri apparecchi di riscaldamento.
- Non collegare più apparecchi a una presa multipla. Il frigorifero deve essere sempre collegato a una presa elettrica separata in grado di sostenere una tensione corrispondente a quanto riportato sull'etichetta apposto sul frigorifero.
  - Ciò consente di ottenere le migliori prestazioni e prevenire il sovraccarico dell'impianto domestico che potrebbe causare un incendio a causa del surriscaldamento dei cavi.
- Se la presa elettrica è allentata, non inserire la spina.
  - Rischio di incendio o scariche elettriche.
- Non utilizzare un cavo con evidenti segni di usura o abrasione lungo il rivestimento o alle estremità.
- Non piegare eccessivamente il cavo di alimentazione né posizzionarvi sopra oggetti pesanti.
- Non piegare o tirare eccessivamente il cavo di alimentazione.
- Non torcere o annodare il cavo di alimentazione.
- Non agganciare il cavo elettrico a oggetti metallici, non collocarvi sopra oggetti pesanti, non far correre il cavo tra oggetti, né spingere il cavo dietro l'apparecchio.
- Durante lo spostamento del frigorifero, prestare attenzione a non schiacciare o danneggiare il cavo di alimentazione.
  - Ciò può portare a scariche elettriche o un incendio.

- 
- Non scollegare mai l'alimentazione dal frigorifero tirando il cavo di alimentazione. Afferrare sempre la spina e tirarla verso di sé per estrarla dalla presa.
    - Un cavo danneggiato può causare un cortocircuito, un incendio o una scarica elettrica.
  - Non utilizzare spray nei pressi del frigorifero.
    - L'uso di spray vicino al frigorifero può causare una esplosione o un incendio.
  - Non installare l'apparecchio vicino ad una fonte di calore o materiale infiammabile
  - Non installare l'apparecchio in un locale in cui possa verificarsi una perdita di gas.
    - Ciò può portare a scariche elettriche o un incendio.
  - Questo frigorifero deve essere posizionato correttamente ed installato seguendo le istruzioni fornite in questo manuale prima dell'uso.
  - Collegare la spina inserendola nella posizione corretta con il cavo rivolto verso il basso.
    - Collegando la spina elettrica al contrario, il cavo potrebbe danneggiarsi e causare scariche elettriche o un incendio.
  - Accertarsi che la spina non sia schiacciata o danneggiata dal retro del frigorifero.
  - Tenere i materiali di imballaggio lontano dalla portata dei bambini.
    - Sussiste il rischio di morte a causa di soffocamento qualora un bambino inserisca la testa nei materiali da imballaggio.

## Informazioni di sicurezza

---

- Non installare l'apparecchio in un locale soggetto a umidità, fumi d'olio o polvere, luce solare diretta o acqua (pioggia).
  - L'usura del rivestimento isolante delle parti elettriche può causare scariche elettriche o un incendio.
- Qualora si riscontri la presenza all'interno del frigorifero di polvere o acqua, estrarre la spina dalla presa di corrente e contattare un Centro di assistenza autorizzato Samsung.
  - In caso contrario, potrebbe verificarsi un incendio.
- Non salire sul prodotto né appoggiarvi sopra oggetti (biancheria, candele e sigarette accese, piatti, sostanze chimiche, oggetti metallici, ecc.).
  - Ciò può provocare scariche elettriche, un incendio o problemi al prodotto o lesioni personali.
- Prima di collegare alla presa di corrente per la prima volta il frigorifero è necessario rimuovere tutte le pellicole protettive.
- Sorvegliare i bambini per accertarsi che non giochino con le cerniere a scatto usate per regolare lo sportello o i fermi del tubo dell'acqua.
  - Qualora un anello di ritenuta o un fermo del tubo dell'acqua venga ingerito da un bambino, potrebbe soffocarlo. Tenere gli anelli di ritenuta ed i fermi del tubo dell'acqua fuori dalla portata dei bambini.
- Il frigorifero deve essere collegato alla terra.
  - Accertarsi sempre che il frigorifero sia correttamente collegato alla terra prima di tentare di riparare eventuali malfunzionamenti. Eventuali dispersioni di corrente possono provocare serie scariche elettriche.

- 
- Per il collegamento a terra non utilizzare condotte del gas, linee telefoniche o altri tubi e barre che potenzialmente potrebbero fungere da parafulmini.
    - Per evitare dispersioni di corrente o scariche elettriche causate dalle dispersioni del frigorifero, collegare l'apparecchio alla terra.
    - La mancata osservanza di questa precauzione può causare scariche elettriche, incendio, esplosione o malfunzionamenti del prodotto.
  - Inserire saldamente la spina nella presa di corrente. Non usare prese di corrente o cavi di alimentazione danneggiati o prese di corrente allentate.
    - Ciò può portare a scariche elettriche o un incendio.
  - Il fusibile del frigorifero deve essere sostituito da un tecnico qualificato o da un Centro di assistenza autorizzato Samsung.
    - Il mancato rispetto di questa precauzione può causare scariche elettriche o lesioni personali.
  - Questo apparecchio è un modello da incasso che richiede una ventilazione guidata. Al fine di prevenire un rischio di esplosioni, assicurarsi che vi sia sufficiente spazio così da garantire una adeguata ventilazione.
  - Il fusibile del frigorifero deve essere sostituito da un tecnico qualificato o da un Centro di assistenza autorizzato. Il mancato rispetto di questa precauzione può causare scariche elettriche o lesioni personali.

# Informazioni di sicurezza

---

## Precauzioni per l'installazione

---

### **ATTENZIONE**

- Lasciare sufficiente spazio intorno al frigorifero ed installarlo su una superficie piana e stabile.
  - Se il frigorifero non è livellato, non è possibile garantire una durata ed una efficienza nel raffreddamento.
- Lasciare riposare l'apparecchio per 2-3 ore dopo l'installazione prima di inserire il cibo al suo interno ed accenderlo.
- Si consiglia caldamente di far eseguire l'installazione del frigorifero ad un tecnico qualificato.
  - Il mancato rispetto di questa precauzione può causare scariche elettriche, incendio, esplosione, malfunzionamenti o lesioni.

## Importanti avvertenze per l'uso

---

### **AVVERTENZA**

- Non toccare la spina elettrica con le mani bagnate.
  - La mancata osservanza di questa precauzione può causare una scarica elettrica.
- Non collocare alcun oggetto sopra il frigorifero.
  - Durante l'apertura o la chiusura della porta, un articolo potrebbe cadere provocando lesioni o danni.
- Non inserire mani, piedi, oggetti metallici (per esempio spiedini, ecc.) sul fondo o sul retro del frigorifero.
  - La mancata osservanza di questa precauzione può causare scariche elettriche o lesioni.



- 
- I bordi taglienti possono causare lesioni.
  - Non toccare le pareti interne del freezer o i prodotti surgelati con le mani bagnate.
    - Ciò potrebbe causare il congelamento delle dita.
  - Non conservare sul frigorifero contenitori pieni d'acqua.
    - In caso di fuoriuscita, l'acqua potrebbe causare scariche elettriche o un incendio.
  - Non conservare all'interno del frigorifero oggetti infiammabili o sostanze volatili (benzene, diluenti, gas propano, alcol, etere, GPL e sostanze simili).
    - Il frigorifero è idoneo solo alla conservazione di alimenti.
    - La mancata osservanza di questa precauzione può causare un incendio o una esplosione.
  - Sorvegliare i bambini affinché non giochino con l'apparecchio.
    - Tenere le dita lontano dalle aree di "possibile schiacciamento". Lo spazio tra le porte e la struttura è necessariamente ristretto. Prestare attenzione all'apertura delle porte in presenza di bambini.
  - Non inserire le dita o lasciare che i bambini inseriscano le dita tra le porte.
    - Tenere le dita lontane dalle aperture delle porte sinistra e destra. Prestare attenzione all'apertura delle porte avendo inserito le dita tra le porte.
  - Non permettere ai bambini di appendersi alle porte o ai cassetti. In caso contrario, potrebbero riportare gravi lesioni.
  - Non permettere ai bambini di accedere al frigorifero. Potrebbero restare intrappolati all'interno.

## Informazioni di sicurezza

---

- Non inserire le mani nell'area inferiore sotto l'apparecchio.
  - I bordi taglienti possono causare lesioni.
- Non conservare in frigorifero prodotti medicinali, materiale scientifico o prodotti sensibili alla temperatura.
  - I prodotti che necessitano di severi controlli della temperatura non devono essere conservati in frigorifero.
- Se si avverte un odore di medicinale o si nota del fumo uscire dall'apparecchio, staccare la spina dalla presa e chiamare il Centro assistenza Samsung Electronics.
- Se all'interno del frigorifero è penetrata polvere o acqua, scollegare la spina dalla presa di corrente e rivolgersi al centro assistenza Samsung Electronics.
  - In caso contrario, potrebbe verificarsi un incendio.
- Non lasciare che i bambini salgano sui cassetti.
  - Il cassetto potrebbe rompersi e farli cadere.
- Non lasciare le porte del frigorifero aperte senza sorveglianza e non permettere ai bambini di entrare all'interno dell'apparecchio.
- Non lasciare che neonati o bambini penetrino all'interno del vano frigo o dei cassetti.
  - In caso contrario, potrebbero riportare lesioni o morire per soffocamento.
- Non riempire eccessivamente il frigorifero.
  - L'apertura dello sportello potrebbe provocare la caduta di un prodotto causando lesioni personali o danni materiali.

- 
- Non spruzzare sostanze volatili come per esempio insetticidi sulla superficie dell'apparecchio.
    - Oltre ad essere dannosi per l'uomo, possono causare scariche elettriche, incendio o malfunzionamenti.
  - Non utilizzare né collocare sostanze sensibili alla temperatura, come ad esempio spray e oggetti infiammabili, ghiaccio secco, farmaci o sostanze chimiche vicino o dentro il frigorifero.
  - Non utilizzare un asciugacapelli per asciugare l'interno del frigorifero. Non inserirvi candele accese per eliminare i cattivi odori.
    - Ciò può portare a scariche elettriche o un incendio.
  - Non salire sul prodotto né appoggiarvi sopra oggetti (biancheria, candele e sigarette accese, piatti, sostanze chimiche, oggetti metallici, ecc.). Ciò può provocare scariche elettriche, un incendio o problemi al prodotto o lesioni personali. Non appoggiare sull'apparecchio contenitori pieni di acqua.
    - In caso di fuoriuscita, l'acqua potrebbe causare scariche elettriche o un incendio.
  - Non guardare direttamente la lampadina LED per un lungo periodo di tempo.
    - In caso contrario i raggi ultravioletti potrebbero causare un affaticamento della vista.
  - Non inserire i ripiani capovolti. I fine corsa dei ripiani non funzionerebbero.
    - Ciò potrebbe causare lesioni personali causate dalla caduta dei ripiani in vetro.

## Informazioni di sicurezza

---

- Se si rileva una perdita di gas, evitare l'uso di fiamme libere o potenziali fonti di accensione nei pressi e aerare il locale per alcuni minuti.
  - Non toccare né l'apparecchio né il cavo di alimentazione.
  - Non utilizzare ventilatori o aspiratori elettrici.
  - Una scintilla può causare una esplosione o un incendio.
- Riporre le bottiglie una vicina all'altra nel medesimo scomparto in modo che non possano cadere all'apertura della porta.
- Questo prodotto è inteso solo per la conservazione di alimenti in ambito domestico.
- Non tentare di riparare, disassemblare o modificare l'apparecchio autonomamente.
  - Eventuali modifiche non autorizzate possono provocare problemi di sicurezza. Per ripristinare eventuali modifiche non autorizzate, verranno addebitati i costi delle parti di ricambio e della manodopera necessaria per la loro sostituzione.
- Non utilizzare fusibili diversi (quali cavi di rame, acciaio, ecc) diversi dai fusibili standard.
- Se l'apparecchio deve essere riparato o reinstallato, rivolgersi al più vicino centro di assistenza.
  - Il mancato rispetto di questa precauzione può causare scariche elettriche, incendio, malfunzionamenti del prodotto o lesioni.
- Qualora si avverta un odore di medicinale o si noti del fumo uscire dall'apparecchio, staccare la spina dalla presa e chiamare un Centro di assistenza Samsung Electronics.
  - Il mancato rispetto di questa precauzione può causare scariche elettriche o un incendio.

- 
- Prima di sostituire le lampadine interne del frigorifero, scollegare l'apparecchio dalla presa elettrica.
    - In caso contrario, vi è il rischio di scariche elettriche.
  - In caso di difficoltà nella sostituzione di una lampadina non a LED, rivolgersi ad un Centro di assistenza Samsung.
  - Inserire saldamente la spina nella presa di corrente.
  - Non utilizzare spine, prese di corrente o cavi di alimentazione danneggiati.
    - Ciò può portare a scariche elettriche o un incendio.

## Precauzioni per l'uso

---

### **ATTENZIONE**

- Non congelare di nuovo il cibo già scongelato.
  - I cibi congelati e poi scongelati sviluppano batteri nocivi più velocemente dei cibi freschi.
  - Il secondo congelamento romperebbe una maggiore quantità di cellule, lasciando fuoriuscire liquidi ed alterando l'integrità dei prodotti.
- Non scongelare la carne a temperatura ambiente.
  - La sicurezza dipenderà da quanto il prodotto all'origine sia stato trattato correttamente.
- Non collocare bicchieri, bottiglie o bevande gassate nel freezer.
  - Questi contenitori potrebbero congelarsi e rompersi, provocando lesioni.
- Usare solo l'ice maker fornito insieme al frigorifero.

## Informazioni di sicurezza

---

- Per ottenere le migliori prestazioni dal prodotto:
  - Non collocare alimenti davanti alle aperture di ventilazione sul retro del frigorifero per evitare di ostruire la circolazione dell'aria all'interno del frigorifero.
  - Avvolgere i cibi adeguatamente o riporli in contenitori sottovuoto prima di conservarli nel frigorifero.
  - Rispettare i tempi di conservazione massimi e le date di scadenza degli alimenti congelati.
  - Non è necessario scollegare il frigorifero dalla presa di corrente se si prevede di non utilizzare l'apparecchio per meno di tre settimane. Qualora l'assenza sia maggiore di tre settimane, rimuovere tutto il cibo ed il ghiaccio dalla vaschetta di raccolta, scollegarlo dalla presa di corrente, chiudere la valvola di mandata dell'acqua, asciugare l'umidità residua dalle pareti interne del frigorifero e lasciare le porte aperte al fine di prevenire eventuali odori e muffa.
- Garanzia di assistenza e modifiche.
  - Eventuali modifiche eseguite da terzi su questo apparecchio non saranno coperte dalla garanzia Samsung, inoltre Samsung non potrà essere ritenuta responsabile per problemi di sicurezza e danni risultanti da modifiche eseguite da terzi.
- Non ostruire le aperture di ventilazione situate all'interno del frigorifero.
  - Se le aperture di ventilazione sono ostruite, per esempio da un sacchetto di plastica, il frigorifero potrebbe raffreddarsi eccessivamente.

- 
- Asciugare all'interno l'umidità in eccesso e lasciare le porte aperte.
    - In caso contrario, all'interno possono svilupparsi cattivi odori e muffe.
  - Se il frigorifero viene scollegato dalla presa elettrica, attendere almeno cinque minuti prima di collegarlo nuovamente.
  - Se il frigorifero entra a contatto con l'acqua, scollegare la spina di alimentazione dalla presa di corrente e contattare il centro assistenza Samsung Electronics.
  - Non urtare o applicare una forza eccessiva sulle superfici in vetro.
    - La rottura del vetro può provocare lesioni personali e/o danni alla proprietà.
  - Prestare attenzione a non intrappolarsi le dita.
  - Se sull'apparecchio è stata versata dell'acqua, contattare il più vicino centro di assistenza.
    - Sussiste il rischio di incendio o di scariche elettriche.
  - Non conservare olii vegetali nei balconcini della porta del frigorifero. L'olio potrebbe solidificarsi ed il suo sapore ne risulterebbe alterato, rendendo l'olio difficile da utilizzare. Inoltre, il contenitore aperto potrebbe perdere, nel qual caso l'olio fuoriuscito potrebbe, solidificandosi, provocare la rottura del balconcino. Una volta aperto il contenitore dell'olio, si consiglia di conservarlo in un luogo fresco e al riparo dalla luce, quale ad esempio una credenza o un ripostiglio.
    - Esempi di olii vegetali: olio di oliva, di semi, vinacciolo, ecc.

# Informazioni di sicurezza

---

## Avvertenze per la pulizia

---

### **ATTENZIONE**

- Non spruzzare acqua direttamente sull'interno o l'esterno del frigorifero.
  - Pericolo di scariche elettriche o incendi.
- Non utilizzare un asciugacapelli per asciugare l'interno del frigorifero.
- Non collocarvi candele accese per eliminare i cattivi odori.
  - Ciò può portare a scariche elettriche o un incendio.
- Non spruzzare prodotti per la pulizia direttamente sul display.
  - Le lettere stampate sul display potrebbero non essere più visibili.
- Se sostanze estranee, per esempio acqua, penetrano all'interno dell'apparecchio, scollegare la spina di alimentazione e rivolgersi al più vicino centro di assistenza.
  - Il mancato rispetto di questa precauzione può causare scariche elettriche o un incendio.
- Usare un panno morbido e pulito per rimuovere eventuali sostanze estranee o polvere dai contatti della spina del cavo di alimentazione. Non utilizzare un panno bagnato o umido durante la pulizia della presa.
  - In caso contrario, sussiste il pericolo di scariche elettriche o incendi.
- Non pulire l'apparecchio spruzzandovi direttamente sopra acqua.



- 
- Non usare benzene, diluenti o prodotti per la pulizia quali Clorox o a base di cloruro.
    - L'uso di questi prodotti potrebbe danneggiare la superficie dell'apparecchio e causare un incendio.
  - Prima di eseguire la pulizia o la manutenzione dell'apparecchio, scollegare la spina dalla presa di corrente.
    - Il mancato rispetto di questa precauzione può causare scariche elettriche o un incendio.
  - Per pulire il frigorifero usare una spugna pulita o un panno morbido ed un detergente non aggressivo in acqua calda.
  - Non usare detergenti abrasivi o aggressivi quali detergenti per vetri, pagliette abrasive, liquidi infiammabili, acido muriatico, pasta abrasiva, detersivi concentrati, candeggina o detergenti contenenti petrolio sulla superficie esterna (porte e carrozzeria), parti in plastica, porte e rivestimenti interni, e cestelli.
    - Tali prodotti possono infatti graffiare o danneggiare i materiali.
  - Non pulire i ripiani di vetro o coperchi con acqua calda quando sono freddi. I coperchi ed i ripiani di vetro possono rompersi se esposti ad un repentino cambiamento di temperatura, urtati o lasciati cadere.

# Informazioni di sicurezza

---

## Importanti avvertenze per la pulizia

---

### **AVVERTENZA**

- Si raccomanda di smaltire e riciclare i materiali di imballaggio di questo prodotto secondo quanto previsto dalle norme vigenti.
- Verificare l'integrità delle tubazioni sul retro dell'apparecchio prima di smaltirlo.
- Per lo smaltimento di questo prodotto o di altri frigoriferi, rimuovere le porte, le guarnizioni e le chiusure delle porte in modo che bambini o animali non possano rimanere intrappolati all'interno. Sorvegliare i bambini affinché non giochino con l'apparecchio. Se i bambini rimangono intrappolati all'interno dell'apparecchio, possono morire per soffocamento.
  - Se un bambino, giocando, rimane intrappolato all'interno dell'apparecchio potrebbe ferirsi e morire per soffocamento.
- L'isolante utilizzato è il ciclopentano. I gas contenuti nel materiale isolante richiedono speciali procedure di smaltimento. Contattare l'autorità locale competente per informazioni sul corretto smaltimento di questo prodotto.
- Tenere tutti i materiali di imballaggio lontano dalla portata dei bambini, poiché possono essere pericolosi.
  - Qualora un bambino inserisca la testa in uno di essi, potrebbe soffocare.

---

## Ulteriori suggerimenti per un uso corretto

---

- In caso di interruzione di corrente, chiamare la compagnia elettrica locale e chiedere il tempo previsto per il ripristino dell'elettricità.
  - La maggior parte delle interruzioni elettriche ripristinate in una o due ore non hanno alcuna influenza sulla temperatura interna del frigorifero. Tuttavia, durante l'interruzione di corrente limitare al minimo l'apertura del frigorifero.
  - Se l'interruzione di corrente si protrae per oltre 24 ore, rimuovere tutti i surgelati dal freezer.
- Il frigorifero potrebbe funzionare in modo costante (i cibi surgelati possono sciogliersi o le temperature del reparto dei surgelati possono innalzarsi troppo) se posizionato a lungo in un luogo dove la temperatura dell'aria è costantemente inferiore alle temperature operative per le quali il frigorifero è stato progettato.
- La conservazione in frigorifero di alcuni alimenti particolari può comportarne un deterioramento a causa delle loro proprietà intrinseche.
- L'apparecchio è di tipo "frost free"; ciò significa che non è necessario sbrinarlo manualmente poiché tale operazione è automatica. Tale operazione verrà effettuata automaticamente.
- L'aumento di temperatura per lo sbrinamento è conforme ai requisiti ISO. Per prevenire un inopportuno aumento della temperatura dei cibi surgelati durante lo sbrinamento dell'apparecchio, conservare i cibi congelati in appositi involucri.

## Informazioni di sicurezza

---

- Non congelare nuovamente cibi già scongelati.
- La temperatura di comparti o sezioni a due stelle, contrassegnati dal simbolo (☆☆), è lievemente superiore rispetto a quella di altri comparti freezer. La posizione delle sezioni e dei comparti a due stelle può variare, pertanto fare riferimento alle istruzioni e/o alle condizioni di vendita.

---

## Informazioni sul simbolo WEEE (RAEE)

---



Corretto smaltimento del prodotto (rifiuti elettrici ed elettronici)

(Applicabile nei Paesi con sistemi di raccolta differenziata)

Il simbolo riportato sul prodotto, sugli accessori o sulla documentazione (un contenitore della spazzatura con ruote barrato da una croce con una banda nera sotto) indica che il prodotto e i relativi accessori elettronici (quali caricabatterie, cuffia e cavo USB) non devono essere smaltiti come rifiuti urbani misti al termine del ciclo di vita ma devono essere raccolti separatamente in modo da permetterne il riutilizzo, il riciclaggio e altre forme di recupero in conformità alla normativa vigente. I rifiuti derivanti da apparecchiature elettriche ed elettroniche possono, infatti, contenere sostanze dannose e pericolose che, se non correttamente gestite, costituiscono un pericolo per l'ambiente e la salute umana.

L'utente ha, quindi, un ruolo attivo nel ciclo di recupero e riciclaggio dei rifiuti di apparecchiature elettriche ed elettroniche.

Al fine di evitare eventuali danni all'ambiente o alla salute causati da uno smaltimento non corretto, si invita pertanto l'utente a separare il prodotto e i suddetti accessori da altri tipi di rifiuti, conferendoli ai sistemi di ritiro e di raccolta autorizzati secondo le normative locali.

Gli utenti domestici possono consegnare gratuitamente l'apparecchiatura che desiderano smaltire al rivenditore, al momento dell'acquisto di una nuova apparecchiatura di tipo equivalente. Presso i rivenditori di prodotti elettronici con superficie di vendita di almeno 400 m<sup>2</sup> è inoltre possibile consegnare gratuitamente, senza obbligo di acquisto, i prodotti elettronici da smaltire con dimensioni inferiori a 25 cm.

Gli utenti professionali (imprese e professionisti) sono invitati a contattare il proprio fornitore e verificare i termini e le condizioni del contratto di acquisto. Questo prodotto e i relativi accessori elettronici non devono essere smaltiti unitamente ad altri rifiuti commerciali.

Per ulteriori informazioni sull'impegno ambientale di Samsung e sugli obblighi normativi specifici dei singoli prodotti es. REACH, WEEE, Batterie, visitare la pagina relativa alla sostenibilità nel sito [www.samsung.com](http://www.samsung.com)

(solo per prodotti venduti nei paesi dell'Unione Europea e nel Regno Unito).

### **NOTA**

Verifica le informazioni su come smaltire correttamente questo imballaggio accedendo alla pagina dedicata tramite il seguente link (<https://www.samsung.com/it/sustainability/environment/environment-data/>) attraverso il tuo browser.

# Installazione

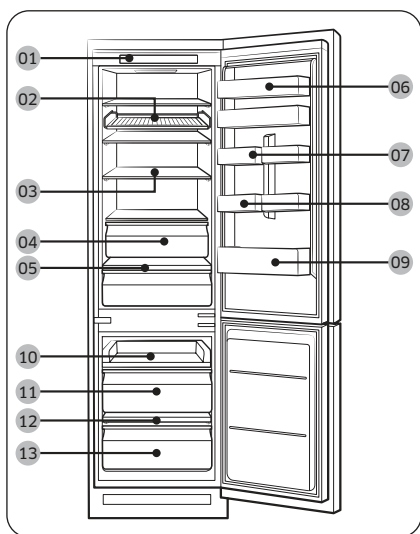
Seguire queste istruzioni con cura per garantire una corretta installazione del frigorifero ed in modo da evitare incidenti prima dell'uso.

## ⚠ AVVERTENZA

- Utilizzare l'apparecchio solo per lo scopo per il quale è stato prodotto, come descritto in questo manuale.
- Una eventuale assistenza deve essere eseguita da un tecnico qualificato.
- Disporre i materiali da imballaggio secondo quanto prescritto dalle vigenti normative sullo smaltimento.
- Al fine di evitare scariche elettriche, prima di effettuare una assistenza o una sostituzione, scollegare la spina dalla presa di corrente.

## Il frigorifero in breve

L'effettiva immagine ed i componenti del frigorifero in dotazione possono differire in base al modello ed al paese di acquisto.



- 01 Pannello di controllo
- 02 Griglia per i vini \*
- 03 Ripiano frigo \*
- 04 Cassetto frigo \*
- 05 Ripiano verdure \*
- 06 Balconcino sportello superiore \*
- 07 Balconcino multiuso
- 08 Portauova \*
- 09 Balconcino frigo multifunzione
- 10 Ripiano scorrevole
- 11 Cassetto centrale freezer
- 12 Ripiano del freezer \*
- 13 Cassetto inferiore freezer

\* solo modelli relativi

## 📖 NOTA

- Per una maggiore efficienza energetica, assicurarsi che tutti i ripiani, i cassetti ed i cestelli siano nella loro posizione originale.
- Solo per modelli dotati di ripiano del freezer:
  - Per congelare rapidamente grandi quantità di cibo, usare il freezer rimuovendo il cassetto inferiore.
  - Per avere a disposizione maggiore spazio, è possibile rimuovere il ripiano scorrevole (10) ed i due cassetti del freezer al di sotto (11, 13) ma mantenere il ripiano sul cassetto inferiore. Ciò non influenza le caratteristiche termiche e meccaniche del frigorifero. Il volume dichiarato del comparto dei cibi surgelati è calcolato senza il ripiano ed il cassetto del freezer.

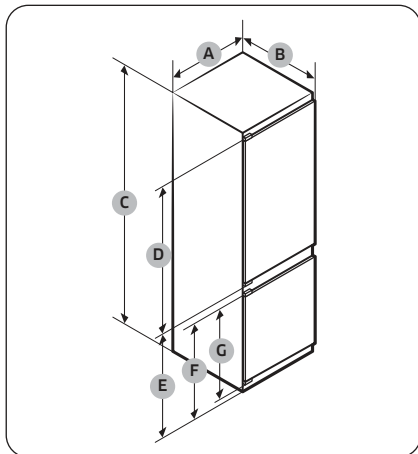
## Passaggi di installazione

### PASSAGGIO 1 Selezionare una posizione

Requisiti della posizione:

- La superficie di appoggio deve essere solida, piana e priva di moquette o tappeti in grado di ostruire la ventilazione
- Lontano dalla luce solare diretta.
- Spazio adeguato per l'apertura e la chiusura della porta
- Non deve essere esposta a fonti di calore
- Spazio per la manutenzione e l'assistenza

Dimensioni del prodotto

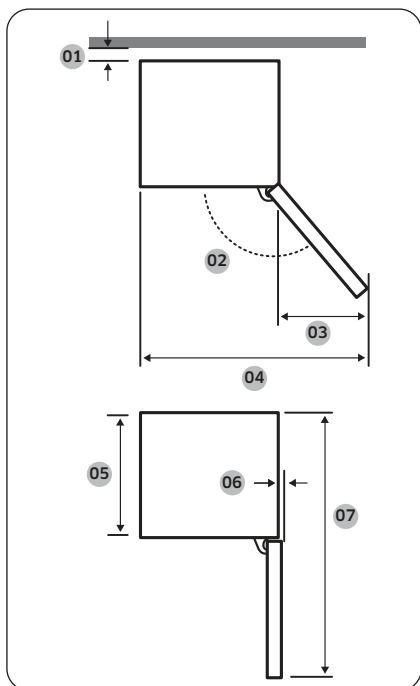


|   | BRB***26"            | BRB***30"            |
|---|----------------------|----------------------|
| A | 540±2                | 540±2                |
| B | 550±2 (con la porta) | 550±2 (con la porta) |
| C | 1775±2               | 1935±2               |
| D | 987                  | 1147                 |
| E | 735                  | 735                  |
| F | 671                  | 671                  |
| G | 621                  | 621                  |

(unità : mm)

# Installazione

Dimensioni complessive del prodotto



| Modello | BRB*****SO<br>TIPO SCORREVOLE | BRB*****FO<br>TIPO FISSO |
|---------|-------------------------------|--------------------------|
| 01 *    | 10 (Min.) / 30 (Consigliato)  |                          |
| 02      | 95° (Consigliato)             | 115° (Consigliato)       |
| 03      | 218                           | 180                      |
| 04      | 758                           | 700                      |
| 05      | 510                           | 510                      |
| 06      | 1                             | 5                        |
| 07      | 1055                          | 1055                     |

\* 01: Dal fondo del vano al retro del prodotto.  
(unità : mm)

## NOTA

- Il consumo energetico specificato si basa su uno spazio di 10 mm dal vano al retro del prodotto. Il prodotto funzionerà correttamente anche in presenza di uno spazio inferiore a 10 mm, tuttavia il suo consumo energetico sarà leggermente superiore.
- Si consiglia di usare un armadio che abbia uno spessore di 18 mm con cerniere con uno spessore inferiore a 20 mm.

## NOTA

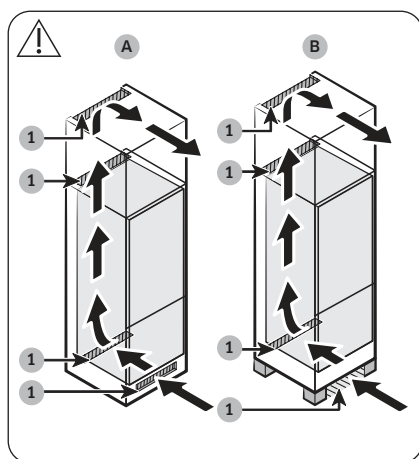
- Le misure riportate nella tabella sopra possono differire in base al metodo di misurazione utilizzato.
- Per una installazione ad incasso, vedere il Manuale di installazione.



### Sistema di ventilazione dell'armadio

Come mostrato in figura, l'aria in ingresso al frigorifero circola lungo le aperture di ventilazione (vedere la direzione della freccia) dell'armadio. L'armadio deve essere almeno 200 cm<sup>2</sup> (LxA: 500 mm x 40 mm) di spazio per l'ingresso dell'aria e lo stesso spazio per l'uscita. Inoltre, l'armadio deve prevedere una ventilazione posteriore di almeno 200 cm<sup>2</sup> (LxA: 500 mm x 40 mm) di spazio sul fondo della parte posteriore.

Ingresso dell'aria

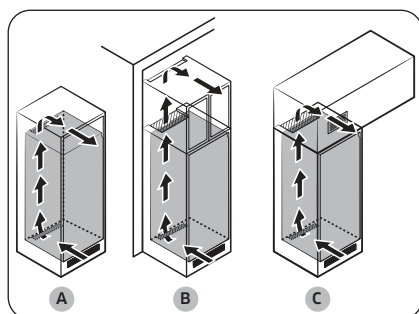


|   |                     |
|---|---------------------|
| 1 | 200 cm <sup>2</sup> |
|---|---------------------|

L'ingresso dell'aria deve essere situato come in uno degli esempi sotto o in una posizione analoga, in base al tipo di armadio.

- A. Un foro di ventilazione previsto nell'armadio.
- B. Un armadio con piedini.

Uscita dell'aria



L'uscita dell'aria deve essere situata come in uno degli esempi sotto o in una posizione analoga, in base al tipo di armadio.

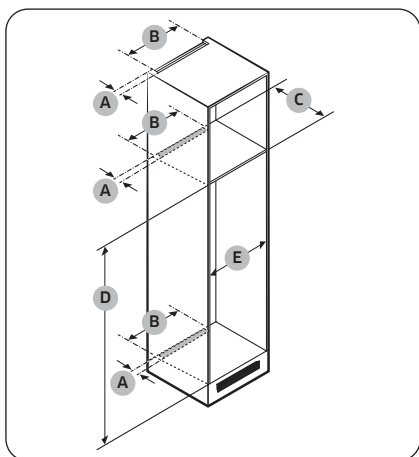
- A. Immediatamente sopra il frigorifero con una griglia di ventilazione opzionale
- B. Vicino al cielo dell'armadio
- C. Sopra il frigorifero con una ventilazione separata

#### **ATTENZIONE**

Indipendentemente dalla forma dell'armadio, l'installazione deve lasciare libero il sistema di ventilazione.

# Installazione

## Dimensioni armadio



### ⚠ ATTENZIONE

Se l'armadio è dotato di porta, assicurarsi che la porta non sia pesante in modo da prevenire eventuali ribaltamenti in avanti.

| Porta armadio | Spessore (mm) | Peso (kg) |
|---------------|---------------|-----------|
| Lato frigo    | Min. 16       | Max. 18   |
| Lato freezer  | Max. 19       | Max. 12   |

Eventuali interventi dovuti a malfunzionamenti del prodotto causati da una mancata osservanza delle indicazioni seguenti non saranno coperti dalla garanzia.

1. Condizioni inadeguate del luogo di installazione o dimensioni inadeguate dell'armadio di contenimento
2. Armadio difettoso
3. Errori dovuti all'installatore o all'utente

## Spazio

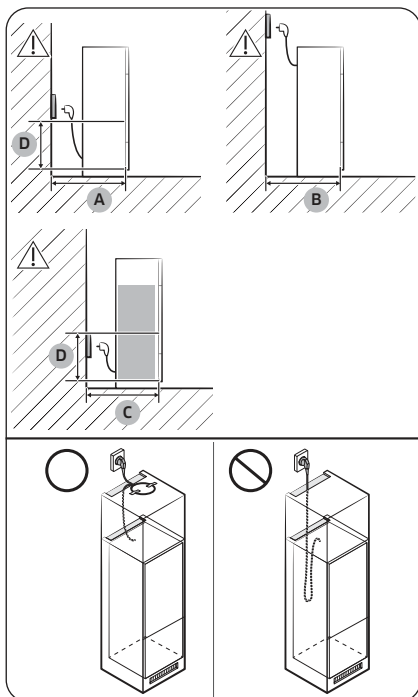
Per i requisiti di spazio per l'installazione vedere le figure e le tabelle sotto.

| Modello                         |             | A (mm) | B (mm) | C (mm) | D (mm) | E (mm) | Nota             |
|---------------------------------|-------------|--------|--------|--------|--------|--------|------------------|
| BRB***26**S0<br>TIPO SCORREVOLE | Min.        | 40     | 500    | 560    | 1778   | 560    |                  |
|                                 | Consigliato |        |        | 580    | 1780   | 562    |                  |
|                                 | Max.        |        |        | -      | 1782   | 568    |                  |
| BRB***26**F0<br>TIPO FISSO      | Min.        | 40     | 500    | 560    | 1778   | 555    | Cerniera : 17 mm |
|                                 | Consigliato |        |        | 580    | 1780   | 562    |                  |
|                                 | Max.        |        |        | -      | 1782   | 568    |                  |
| BRB***30**S0<br>TIPO SCORREVOLE | Min.        | 40     | 500    | 560    | 1938   | 560    |                  |
|                                 | Consigliato |        |        | 580    | 1940   | 562    |                  |
|                                 | Max.        |        |        | -      | 1942   | 568    |                  |
| BRB***30**F0<br>TIPO FISSO      | Min.        | 40     | 500    | 560    | 1938   | 555    | Cerniera : 17 mm |
|                                 | Consigliato |        |        | 580    | 1940   | 562    |                  |
|                                 | Max.        |        |        | -      | 1942   | 568    |                  |

**NOTA**

- Se la larghezza dell'armadio è maggiore di 568 mm, la guarnizione (tra il frigorifero e l'armadio) potrebbe diventare lenta.
- Qualora l'armadio abbia dimensioni superiori a quelle massime (1782 mm), sarà necessario utilizzare altri materiali di finitura per riempire lo spazio rimanente.

**Considerazione per la posizione della presa e spazio necessario**



|   |          |
|---|----------|
| A | Min. 590 |
| B | Min. 560 |
| C | Min. 580 |
| D | 240      |

(unità : mm)

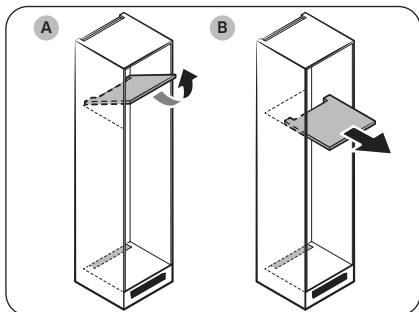
**NOTA**

Qualora si installi un frigorifero all'interno di un vano con una profondità di 560 mm, assicurarsi che il cavo di alimentazione sia disposto sul lato del frigorifero prima di inserire la spina in una presa di corrente. Se il cavo di alimentazione è posto sul retro del frigorifero, ciò potrebbe ridurre l'efficienza energetica.

# Installazione

## Tipo di armadio

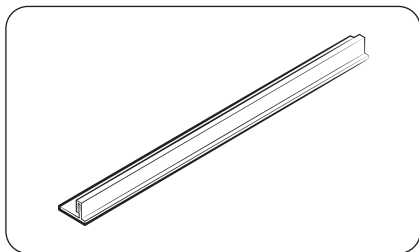
Il tipo di armadio consigliato è uno dei seguenti:



### NOTA

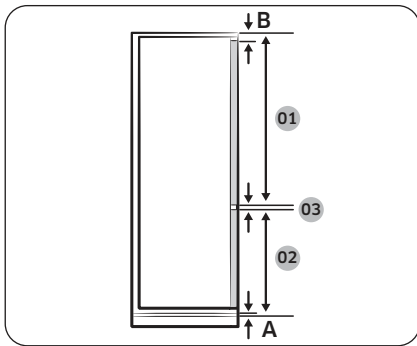
Qualora si usi uno di questi armadi, non sarà necessario rimuovere l'unità principale dall'armadio per effettuare assistenza su una PBA principale guasta. Qualora si usi un altro tipo di armadio, per effettuare l'assistenza sarà necessario estrarre l'unità principale.

- A. Tipo a ribalta
- B. Tipo scorrevole



### NOTA

- L'uso di un vano dalle dimensioni non appropriate può provocare l'allentamento della guarnizione tra il frigorifero e l'armadio una volta inserito il frigorifero nel vano.



#### NOTA

Per l'installazione di un armadio che prevede uno spazio di 3 mm (03), vedere la tabella di riferimento sotto.

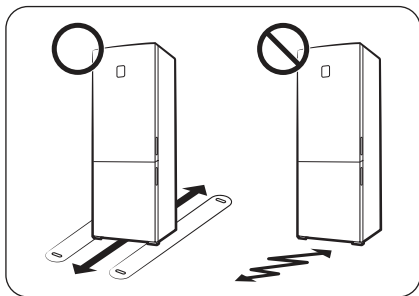
| Modello | BRB***26**S0<br>TIPO SCORREVOLE                       | BRB***26**FO<br>TIPO FISSO |
|---------|---|----------------------------|
| 01      | Min. 1041+B<br>Max. 1102+B                            | Min. 1063+B<br>Max. 1076+B |
| 02      | Min. 670+A<br>Max. 731+A                              | Min. 696+A<br>Max. 709+A   |
| 03      | 3 mm<br>(spazio tra la porta del frigo e del freezer) |                            |

| Modello | BRB***30**S0<br>TIPO SCORREVOLE                       | BRB***30**FO<br>TIPO FISSO |
|---------|---|----------------------------|
| 01      | Min. 1204+B<br>Max. 1262+B                            | Min. 1223+B<br>Max. 1236+B |
| 02      | Min. 670+A<br>Max. 731+A                              | Min. 696+A<br>Max. 709+A   |
| 03      | 3 mm<br>(spazio tra la porta del frigo e del freezer) |                            |

- A. Bordo inferiore del pannello anteriore sopra la ventilazione
- B. Sporgenza pannello frontale

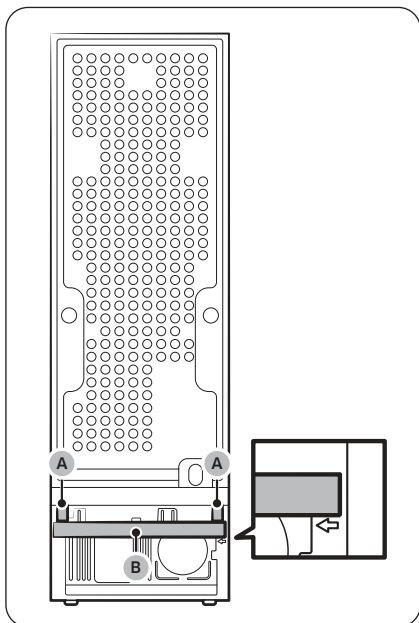
# Installazione

## PASSAGGIO 2 Superficie di appoggio



- La superficie sulla quale appoggiare il frigorifero deve essere in grado di sostenere il peso del frigorifero a pieno carico.
- Per proteggere il pavimento, posizionare un listello di cartone sotto ogni piedino.
- Una volta posizionato il frigorifero nella sua posizione definitiva, non spostarlo, a meno che non sia necessario, in modo da salvaguardare il pavimento. Se necessario, usare un foglio di carta spesso o del tessuto come un vecchio tappeto per facilitare lo spostamento.

## PASSAGGIO 3 Spaziatura (solo modelli che lo prevedono)



Inserire i distanziali (A) e la spugna (B) in dotazione come illustrato in figura in modo da ottenere una efficienza energetica ottimale.

### ⚠ ATTENZIONE

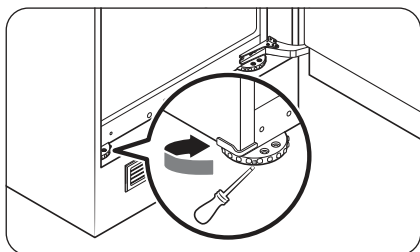
Se il frigorifero non è livellato al pavimento, potrebbe essere necessario ritagliare i distanziali in modo da rendere il frigorifero allineato alla armadiatura, ma in questo modo l'efficienza energetica ottimale non può essere garantita.

## PASSAGGIO 4 Regolare i piedini di appoggio

### ⚠ ATTENZIONE

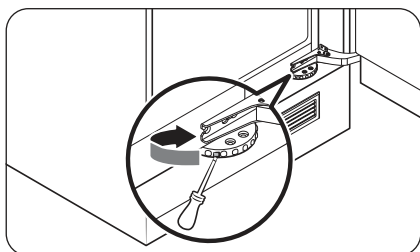
- Il frigorifero deve essere livellato, su una superficie stabile e solida. La mancata osservanza di tale indicazione può danneggiare il frigorifero o provocare lesioni personali.
- Il livellamento del frigorifero deve essere eseguito a frigorifero vuoto. Assicurarsi che non vi sia del cibo all'interno del frigorifero.

Il frigorifero può essere livellato usando i piedini anteriori dotati di una apposita vite di regolazione del livello. Per eseguire la regolazione usare un cacciavite a lama piatta.



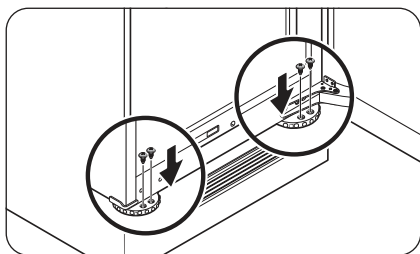
### Per regolare l'altezza del lato sinistro:

Inserire un cacciavite a lama piatta nell'alloggiamento di regolazione del piedino anteriore sinistro. Ruotare il piedino in senso orario per sollevare, in senso antiorario per abbassare.



### Per regolare l'altezza sul lato destro:

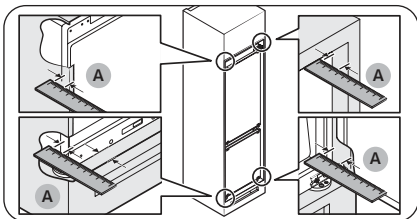
Inserire un cacciavite a lama piatta nell'alloggiamento di regolazione del piedino anteriore destro. Ruotare il piedino in senso orario per sollevare, in senso antiorario per abbassare.



### 📄 NOTA

Assicurarsi di lasciare uno spazio di 41 mm (A): sia per la cerniera scorrevole sia per la cerniera fissa) tra il frigorifero e l'armadio o il vano. Quindi fissare i piedini anteriori usando le viti.

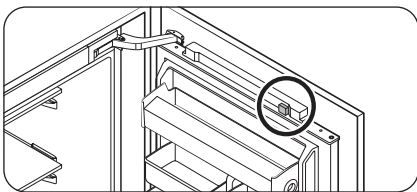
# Installazione



## PASSAGGIO 5 Impostazioni iniziali

Completando i seguenti passaggi, il frigorifero sarà pienamente operativo.

1. Rimuovere il foglio di poliestere posto su ogni lato del ripiano, posizionato per proteggere il frigorifero durante il trasporto.
2. Aprire la porta e controllare che la luce interna si sia accesa.
3. Rimuovere l'imbottitura in PE posta sul magnete dalla sommità della porta.



4. Impostare la temperatura sul valore più freddo e attendere un'ora. Il freezer si raffredderà moderatamente e il motore girerà regolarmente.
5. Attendere fino a quando il frigorifero abbia raggiunto la temperatura impostata. Il frigorifero è ora pronto per l'uso.

### **NOTA**

All'accensione, l'allarme del frigorifero suonerà. Per spegnere l'allarme, premere **Freezer** o **Fridge** (Frigo).



---

## **PASSAGGIO 6 Allarme temperatura (solo modelli che ne sono dotati)**

---

### **Tipo 1**

- L'indicazione della temperatura del frigorifero lampeggia '- -' e si avverte un allarme se il comparto del freezer ha una temperatura troppo elevata. Ciò può accadere se nel comparto del freezer la temperatura aumenta a causa di una mancanza di alimentazione.
- In caso ciò avvenisse, premere **Freezer** o **Fridge (Frigo)**. La temperatura più elevata viene visualizzata per 5 secondi. Successivamente viene indicata la temperatura corrente. Per disattivare l'allarme, premere **Door Alarm (Allarme porta)**.

### **Tipo 2**

- L'indicazione della temperatura del frigorifero lampeggia e si avverte un allarme se il comparto del freezer ha una temperatura troppo elevata. Ciò può accadere se nel comparto del freezer la temperatura aumenta a causa di una mancanza di alimentazione. Per disattivare l'allarme, premere **Freezer** o **Fridge (Frigo)**.

## **PASSAGGIO 7 Controllo finale**

---

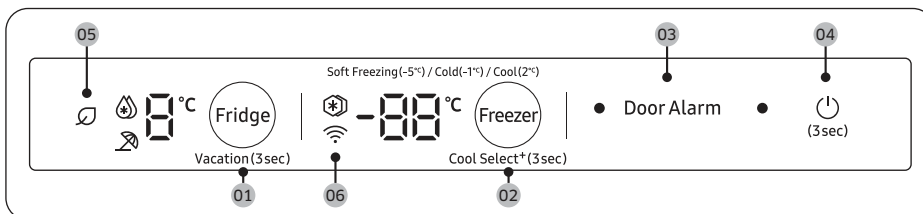
Al termine dell'installazione, accertarsi che:

- Il frigorifero sia collegato ad una presa elettrica e sia dotato di una opportuna messa a terra.
- Il frigorifero sia installato su una superficie piana e livellata con sufficiente spazio dalla parete o dal mobile.
- Il frigorifero sia livellato e stabilmente posizionato sul pavimento.
- La porta si apra e si chiuda liberamente e la luce interna si accenda automaticamente all'apertura della porta.

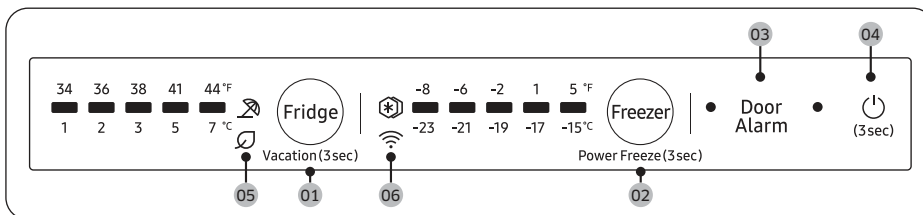
# Funzionamento

## Pannello principale

### TIPO 1



### TIPO 2



**01** Fridge (Frigo) / Vacation (Vacanze)

**02** Freezer / Power Freeze (Congelamento rapido) / Cool Select+ \*

**03** Door Alarm (Allarme porta)

**04** ⏻ (Accensione)

**05** AI Energy Mode




**06** Connessione di rete

\* solo modelli relativi

### 📖 NOTA





Le spie LED si accendono tutte insieme all'apertura della porta e si spengono tutte insieme alla chiusura della porta.

## 01 Frigo / Vacanze (3 sec)

|                    |  |
|--------------------|--|
| Frigo (Frigo)      | <p>Per regolare la temperatura del frigorifero premere il tasto <b>Frigo (Frigo)</b> fino a raggiungere la temperatura corrispondente.</p> <p>La temperatura è selezionabile in valori tra 1 °C e 7 °C (predefinita: 3 °C).</p> <p><b>Raffreddamento rapido (Tipo 1)</b></p> <p>Power Cool (Raffreddamento rapido) accelera il processo di raffreddamento attivando la massima velocità di ventilazione. Il frigorifero continua a funzionare al massimo per due ore e mezza per poi tornare alla temperatura precedente.</p> <ul style="list-style-type: none"><li>• Per attivare Power Cool (Raffreddamento rapido), impostare una temperatura di 1 °C, quindi premere <b>Frigo (Frigo)</b> per selezionare Power Cool (Raffreddamento rapido). La corrispondente spia (  ) si illumina, ed il frigorifero accelera il processo di raffreddamento.</li><li>• Per disattivare la modalità Power Cool (Raffreddamento rapido), premere nuovamente il tasto <b>Frigo (Frigo)</b>. La temperatura del frigo verrà quindi ripristinata a 7 °C.</li></ul> <p> <b>NOTA</b></p> <p>L'uso della funzione Power Cool (Raffreddamento rapido) aumenta il consumo energetico. Accertarsi di disattivarla per tornare all'impostazione di temperatura precedente qualora non si desidera utilizzarla.</p> |
| Vacation (Vacanze) | <ul style="list-style-type: none"><li>• Se ci si assenta per un lungo periodo di tempo per una vacanza o un viaggio di lavoro o non si intende utilizzare il frigorifero per diverso tempo, usare la modalità Vacation (Vacanze). La temperatura del frigorifero verrà impostata sotto i 17 °C, ma il freezer rimarrà attivo così come precedentemente impostato.</li><li>• Per attivare la modalità Vacation (Vacanze), tenere premuto il tasto <b>Frigo (Frigo)</b> per 3 secondi.</li></ul> <p> <b>NOTA</b></p> <ul style="list-style-type: none"><li>• Accertarsi di aver rimosso tutto il cibo dal comparto frigorifero prima di attivare la modalità Vacation (Vacanze).</li><li>• La modalità Vacation (Vacanze) verrà automaticamente disattivata regolando successivamente la temperatura del frigorifero.</li></ul>   |

# Funzionamento

## 02 Freezer / Congelamento rapido (3 sec) / Cool Select+ (3 sec)

|                                    |  |
|------------------------------------|--|
| Freezer                            | <p>Il tasto <b>Freezer</b> può essere utilizzato per impostare la temperatura del freezer. Intervallo temperature disponibile: tra -15 °C e -23 °C (predefinito -19 °C).</p> <p> <b>NOTA</b><br/>Non è possibile cambiare la temperatura nella modalità Cool Select+.</p>   |
| Power Freeze (Congelamento rapido) | <p>La funzione Power Freeze (Congelamento rapido) accelera il processo di congelamento attivando la massima velocità di ventilazione. Il freezer continua a funzionare al massimo per 50 ore quindi torna alla temperatura precedente. Per congelare grandi quantità di cibo, attivare la funzione Power Freeze (Congelamento rapido) per almeno 20 ore prima di inserire il cibo nel freezer.</p> <p><b>Tipo 1</b></p> <ul style="list-style-type: none"><li>• Per attivare la funzione Power Freeze (Congelamento rapido), impostare una temperatura di -23 °C, quindi premere <b>Freezer</b> per selezionare Power Freeze (Congelamento rapido).<br/>La spia corrispondente si illumina () , ed il frigorifero accelererà il processo di congelamento.</li><li>• Quando il processo della funzione Power Freeze (Congelamento rapido) è terminato, la spia si spegne e il freezer torna alla temperatura precedentemente impostata.</li><li>• Per disattivare la modalità Power Freeze (Congelamento rapido), premere nuovamente il tasto <b>Freezer</b>.<br/>Il freezer torna all'impostazione di temperatura precedente.</li></ul> <p><b>Tipo 2</b></p> <ul style="list-style-type: none"><li>• Per attivare la funzione Power Freeze (Congelamento rapido), tenere premuto il tasto <b>Freezer</b> per 3 secondi così da attivare la funzione Power Freeze (Congelamento rapido).<br/>La spia corrispondente si illumina () , ed il frigorifero accelererà il processo di congelamento.</li><li>• Per disattivare la funzione Power Freeze (Congelamento rapido), tenere nuovamente premuto il tasto <b>Freezer</b> per 3 secondi.<br/>Il freezer torna alle impostazioni precedenti della temperatura e la spia si spegne.</li></ul> <p> <b>NOTA</b><br/>L'uso della funzione Power Freeze (Congelamento rapido) aumenta il consumo energetico. Accertarsi di disattivarla per tornare all'impostazione di temperatura precedente qualora non si desideri utilizzarla.</p> |


|                                  |   |
|----------------------------------|---|
| <p>Cool Select+<br/>(Tipo 1)</p> | <p>Ogni volta che si preme e si tiene premuto il tasto <b>Cool Select+</b> per 3 secondi, la modalità operativa scorre con questa sequenza:<br/>Freeze (Congelamento) → Soft Freezing (Surgelamento leggero) (-5 °C) → Cold (Freddo) (-1 °C) → Cool (Fresco) (2 °C)</p> <p><b>⚠ ATTENZIONE</b></p> <ul style="list-style-type: none"> <li>• Passando dalla modalità Freezer alla modalità Cool Select+, dal cibo conservato potrebbero colare succhi o liquidi.</li> <li>• Non conservare la carne o il pesce per un lungo periodo in modalità Cool Select+. Il cibo potrebbe congelarsi o guastarsi a causa di una errata impostazione della temperatura di conservazione.</li> <li>• Qualora il frigorifero ripristini la corretta alimentazione elettrica dopo un lungo periodo di inattività, l'impostazione Cool Select+ può essere ripristinata ai valori di fabbrica. Verificare l'impostazione di Cool Select+ prima di utilizzare il frigorifero.</li> </ul> |
|----------------------------------|---|

### 03 Allarme porta

|                                       |   |
|---------------------------------------|---|
| <p>Door Alarm<br/>(Allarme porta)</p> | <p>È possibile impostare l'allarme per un promemoria. Se la porta viene lasciata aperta per oltre 2 minuti, l'allarme suonerà e la spia Allarme lampeggerà. È possibile attivare e disattivare la funzione premendo il tasto <b>Door Alarm</b> (Allarme porta).</p> |
|---------------------------------------|---|

### 04 (Accensione)

Per accendere il frigorifero, tenere premuto il tasto  per 3 secondi.

Tenendo premuto il tasto  nuovamente per 3 secondi, il frigorifero si spegne così come anche le luci.

### 05 AI Energy Mode (solo modelli relativi)

L'icona  viene visualizzata durante l'uso della AI Energy Mode. La AI Energy Mode può essere attivata e disattivata nella app SmartThings (solo modelli relativi)

# Funzionamento

## 06 Connessione di rete (solo modelli relativi)

È possibile controllare e monitorare il frigorifero mediante la app SmartThings. Per ulteriori informazioni, consultare la sezione **SmartThings (solo modelli relativi)**.

### **NOTA**

Se il frigorifero non è collegato alla app SmartThings, l'icona Wi-Fi (📶) lampeggia come avviso. Se si nota l'icona Wi-Fi lampeggiare (📶) si consiglia di collegare il frigorifero alla app SmartThings.

**Attivare o disattivare la funzione Wi-Fi (solo modelli relativi).**

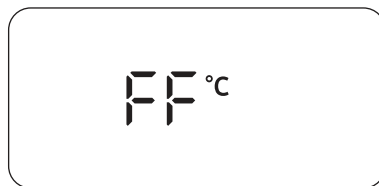
### Tipo 1

Per attivare o disattivare il Wi-Fi, tenere premuto il tasto **Fridge (Frigo)** per 10 secondi. Il display mostra lo stato del Wi-Fi per 5 secondi (come mostrato in figura).

Wi-Fi On



Wi-Fi Off



### Tipo 2

Per attivare o disattivare il Wi-Fi, tenere premere il tasto **Fridge (Frigo)** per 10 secondi. L'icona Wi-Fi (📶) mostra lo stato del Wi-Fi come mostrato sotto.

- Wi-Fi Off: L'icona Wi-Fi (📶) lampeggia per 5 secondi e quindi si disattiva.
- Wi-Fi On: L'icona Wi-Fi (📶) lampeggia per 5 secondi e quindi si attiva per 5 secondi.

### **NOTA**

- Impostando il Wi-Fi in modo da collegare il frigorifero alla app SmartThings, le funzioni Wi-Fi On/Off si attivano.
- Per ulteriori informazioni, consultare la sezione **SmartThings (solo modelli relativi)**.

---

## SmartThings (solo modelli relativi)

---

### Installazione

Visitare il Google Play Store, il Galaxy Apps o il Apple App Store e cercare "SmartThings". Scaricare e installare la app SmartThings fornita da Samsung Electronics sul proprio dispositivo smart.

#### **NOTA**

- La versione del software di supporto della app SmartThings è soggetta a variazioni secondo le politiche di supporto del SO fornito dal produttore. Inoltre, come per la app SmartThings o le funzioni supportate da essa, le nuove politiche di aggiornamento dell'applicazione della versione del SO esistente possono essere sospese per motivi di uso o sicurezza.
- La app SmartThings è soggetta a variazioni senza preavviso al fine di migliorarne l'uso o le prestazioni. Dal momento che la versione del SO del telefono mobile viene aggiornata annualmente, anche la app SmartThing viene costantemente aggiornata secondo l'ultimo SO. Per eventuali domande riguardanti quanto espresso sopra, inviare una email a [st.service@samsung.com](mailto:st.service@samsung.com).
- Tra i sistemi di crittografia consigliati vi sono WPA/TKIP e WPA2/AES. Eventuali protocolli di autenticazione Wi-Fi nuovi o non standard non sono supportati.
- Le reti wireless possono essere influenzate dagli ambienti di comunicazione wireless circostanti.
- Se il proprio provider di servizi internet registra l'indirizzo MAC dei PC o dei modem ai fini di una identificazione, il proprio frigorifero Smart Samsung potrebbe non riuscire a collegarsi ad Internet. In tale caso, contattare il proprio provider di servizi internet per richiedere assistenza.
- Le impostazioni del firewall del proprio sistema di rete possono impedire al proprio frigorifero Samsung Smart di accedere ad Internet. Contattare il proprio provider di servizi internet per richiedere assistenza. Qualora tale sintomo persista, contattare un Centro di assistenza autorizzato o un rivenditore Samsung.
- Per configurare le impostazioni del router wireless (AP), vedere il manuale dell'utente del router.
- I frigoriferi Smart Samsung supportano sia le reti Wi-Fi 2.4 GHz con IEEE 802.11 b/g/n e i protocolli Soft-AP (È consigliata la connessione IEEE 802.11 n).
- I router Wi-Fi non approvati possono non riuscire a collegarsi ai frigoriferi Samsung Smart dotati di questa funzione.

# Funzionamento

---

## Account Samsung

Per utilizzare la app è necessario registrare un proprio account Samsung. Qualora non si disponga di un account Samsung, seguire le istruzioni visualizzate sullo schermo per crearne uno gratuito.

## Introduzione

Accendere il dispositivo da collegare, eseguire la app SmartThings sul proprio telefono e seguire le istruzioni riportate sotto.

Alla comparsa di un messaggio che indica l'individuazione di un nuovo dispositivo, premere **ADD NOW (AGGIUNGI ORA)**.

Qualora non compaia alcun messaggio, premere il tasto **+** e selezionare il dispositivo da connettere tra quelli riportati nell'elenco dei dispositivi disponibili.

Se il proprio dispositivo non compare nell'elenco **Supported Devices (Dispositivi supportati)**, aggiungere il dispositivo manualmente selezionando il tipo di dispositivo (Frigorifero) ed in seguito il modello specifico.

Seguire le istruzioni visualizzate nella app per impostare il dispositivo. Una volta terminata l'impostazione, il frigorifero comparirà come "scheda" nella schermata **Devices (Dispositivi)**.

## Controllo integrato


È possibile monitorare e controllare il proprio frigorifero in casa così come a distanza.

- Selezionare l'icona del frigorifero nella Dashboard SmartThings o l'icona Dispositivi in basso nella Dashboard, quindi selezionare la "scheda" del frigorifero per accedere alla pagina del proprio Frigorifero.
- Verificare lo stato operativo o le notifiche dal proprio frigorifero e cambiare le opzioni o impostazioni se necessario.

### **NOTA**

Alcune opzioni o impostazioni del frigorifero potrebbero non essere disponibili per il controllo da remoto.



| Categoria                              | Elemento   | Descrizione   |
|--|--|---|
| Monitoraggio                           | Temperatura frigorifero  | Visualizza le impostazioni correnti della temperatura del frigorifero.  |
|  | Sensore temperatura freezer  | Visualizza le impostazioni correnti della temperatura del freezer.  |
| Funzioni                               | Raffreddamento rapido (solo modelli relativi)  | È possibile attivare e disattivare la modalità Raffreddamento rapido, e controllare le impostazioni correnti. |
|  | Congelamento rapido  | È possibile attivare e disattivare la modalità Congelamento rapido, e controllare le impostazioni correnti.   |
|  | Temperatura frigorifero  | È possibile regolare la temperatura del frigorifero.  |
|  | Sensore temperatura freezer  | È possibile regolare la temperatura del freezer.  |
| Allarmi                                | Temperatura insolitamente elevata  | Questo allarme è attivato quando il frigorifero o il freezer hanno una temperatura insolitamente elevata.     |
|  | Porta aperta   | Questo allarme viene innescato quando la porta rimane aperta per più di 2 minuti.                             |
| AI Energy Mode (solo modelli relativi) | <p>E' possibile attivare e disattivare la AI Energy Mode nel menu Energy della app SmartThings.</p> <p>Permette di controllare lo stato della AI Energy Mode nella app SmartThings.</p> <p>In alcuni modelli l'icona  viene visualizzata nel pannello principale ad indicare che la AI Energy Mode è attiva. (solo modelli relativi)</p> <p>L'attivazione della AI Energy Mode aumenta i consumi energetici ma riduce al contempo le prestazioni di raffreddamento.</p> |   |

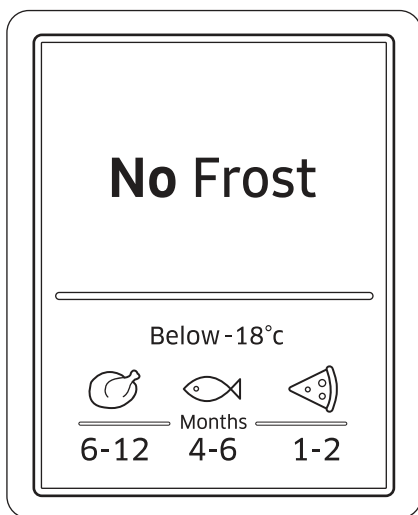
### Informazioni sugli aggiornamenti di sicurezza

Gli aggiornamenti vengono forniti per rafforzare la sicurezza del dispositivo e proteggere le informazioni personali. Per maggiori informazioni sugli aggiornamenti di sicurezza, visitare la pagina <https://security.samsungda.com>.

\* Il sito web supporta solo alcune lingue.

# Funzionamento

## Informazioni sulla conservazione



I numeri riportati nella parte bassa della figura indicano il periodo di conservazione per il cibo riportato appena sopra. Ad esempio, 4-6 mesi per il pesce.

### Per congelare il cibo

1. Avvolgere con cura il cibo con della pellicola.
2. Sigillare la confezione.
3. Etichettare la confezione indicandone il contenuto e la data di congelamento.

### Materiali per avvolgere il cibo

- Materiali adatti ad avvolgere il cibo: pellicola plastica, pellicola in polietilene, foglio di alluminio e vaschette per congelare.
- Materiali non adatti per avvolgere il cibo: carta da imballaggio, carta da forno, cellophane, sacchetti per immondizia, e sacchetti di plastica usati.

### Materiali per sigillare

Elastici, fermagli in plastica, cordini, nastro adesivo o simili. I sacchetti e la pellicola in polietilene possono essere sigillati con del sigillante per pellicola.

---

## Periodo di conservazione del cibo congelato

Il periodo di conservazione dipende dal tipo di cibo e dalla temperatura di conservazione. La specifica che segue si basa su una temperatura di conservazione di  $-18\text{ }^{\circ}\text{C}$  ( $0\text{ }^{\circ}\text{F}$ ):

- Pollame fresco (pollo intero), carne fresca (bistecche, arrostiti): fino a 12 mesi
- Pesce (pesce pulito, pesce cotto), scampi freschi, calamari, capesante: fino a 6 mesi
- Pizza, salsicce: fino a 2 mesi

### **NOTA**

Per maggiori informazioni, visitare il sito web FDA (<http://www.fda.gov/>).

## Scongelamento

Il cibo congelato può essere scongelato nei seguenti modi:

- Naturalmente a temperatura ambiente
- Naturalmente nel frigorifero
- Mediante un forno elettrico con o senza il supporto del calore
- Mediante un forno a microonde

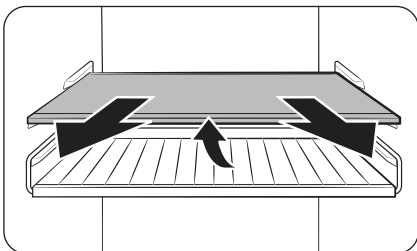
### **NOTA**

- Non congelare di nuovo il cibo già scongelato. Alcune parti del cibo potrebbero non congelare completamente.
- Non conservare il cibo congelato oltre il periodo massimo consigliato.

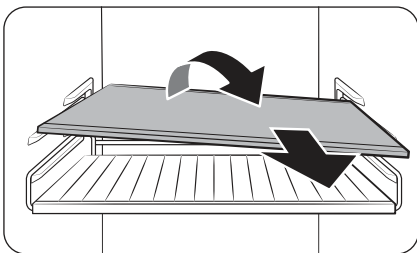
# Manutenzione

## Pulizia e manutenzione

### Ripiani (frigo/freezer) / griglia per i vini (solo modelli che ne sono dotati)



1. Estrarre leggermente il ripiano (o la griglia dei vini). Quindi, sollevare il lato posteriore ed estrarlo.

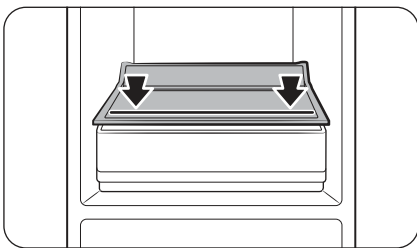


2. Ruotare il ripiano (o la griglia dei vini) in diagonale per estrarlo.

#### ⚠ ATTENZIONE

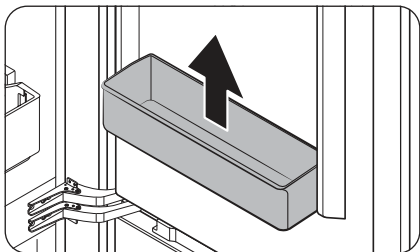
- Il ripiano deve essere inserito correttamente. Non inserirlo capovolto.
- I contenitori in vetro possono graffiare la superficie dei ripiani in vetro.
- Non inserire un ripiano nella posizione per la griglia dei vini. Ciò potrebbe danneggiare il frigorifero. (solo modelli relativi)

### Ripiano verdure (solo modelli che lo prevedono)



- Se il modello in uso è dotato di un solo cassetto nel frigo, il ripiano verdure posto appena sopra il cassetto ha una linea stampigliata su di esso. Nel caso si conservino le verdure sul ripiano verdure, accertarsi di conservare le verdure entro il limite della riga stampata.

### Balconcino sportello frigo / balconcino sportello multiuso

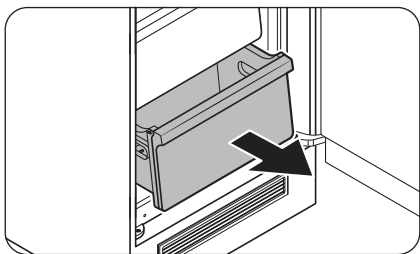


Tenendo il balconcino della porta con entrambe le mani, sollevarlo per estrarlo.

**⚠ ATTENZIONE**

Per evitare incidenti, vuotare i balconcini prima di estrarli

### Cassetto frigo / Cassetto freezer



Sollevare delicatamente la parte anteriore del cassetto ed estrarlo.

# Manutenzione

---

## Pulizia

---

### Interno ed esterno

#### AVVERTENZA

- Per pulire non utilizzare benzene, aceto, candeggina liquida, bicarbonato, miscela di sali o detersivi per casa/auto quali Clorox™. L'uso di questi prodotti potrebbe danneggiare la superficie dell'apparecchio e causare un incendio.
- Non spruzzare acqua sul frigorifero. In caso contrario, esiste il pericolo di scariche elettriche.

Usare regolarmente un panno morbido per rimuovere eventuale polvere o sporizia dai terminali della spina elettrica e dai contatti.

1. Scollegare la spina di alimentazione.
2. Usare un panno inumidito e liscio o un tovagliolo di carta per pulire l'interno e l'esterno del frigorifero.
3. Al termine, usare un panno o della carta per asciugarlo con cura.
4. Ricollegare la spina di alimentazione.

## Sostituzione

---

### Lampadine a LED

Per effettuare la sostituzione delle lampadine, rivolgersi al Centro di assistenza autorizzato Samsung di zona.

#### AVVERTENZA

- Le lampadine non possono essere sostituite autonomamente. Non tentare di effettuare autonomamente la loro sostituzione. In caso contrario, esiste il pericolo di scariche elettriche.

### Lampadina (sorgente luminosa)

Questo prodotto contiene una sorgente luminosa di classe di efficienza energetica <G>.

La lampadina ed i comandi non possono essere sostituibile dall'utente in autonomia. Per effettuare la sostituzione delle lampadine o dei comandi, rivolgersi al Centro assistenza autorizzato Samsung di zona.

Per maggiori informazioni sulla sostituzione di lampadine o comandi del vostro prodotto, visitare il sito web Samsung (<http://www.samsung.com>), accedere a Support > Support home, e digitare il nome del modello.

Per maggiori informazioni sullo smontaggio delle lampadine o dei comandi seguire le istruzioni come descritto sopra.

# Risoluzione dei problemi

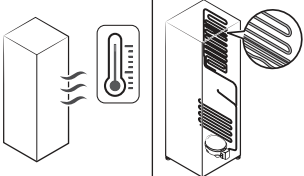
Prima di chiamare l'assistenza rivedere i punti di controllo sotto. Eventuali interventi di assistenza riguardanti situazioni normali (nessun difetto riscontrato) comporteranno un addebito per il cliente.

## Generale

### Temperatura

| Sintomo   | Possibili cause  | Soluzione   |
|---|--|---|
| Il frigorifero/freezer non funziona.<br>La temperatura del frigorifero/freezer è elevata. | <ul style="list-style-type: none"><li>La spina del cavo di alimentazione non è inserita correttamente in una presa elettrica.</li></ul>          | <ul style="list-style-type: none"><li>Ricollegare correttamente la spina di alimentazione.</li></ul>  |
|   | <ul style="list-style-type: none"><li>Il controllo della temperatura non è impostato correttamente.</li></ul>                                    | <ul style="list-style-type: none"><li>Impostare una temperatura inferiore.</li></ul>  |
|   | <ul style="list-style-type: none"><li>Il frigorifero è posizionato vicino ad una fonte di calore o è esposto alla luce solare diretta.</li></ul> | <ul style="list-style-type: none"><li>Assicurarsi che il frigorifero sia posizionato lontano dalla luce solare diretta o eventuali fonti di calore.</li></ul> |
|   | <ul style="list-style-type: none"><li>Non c'è sufficiente spazio tra il frigorifero ed i lati/retro.</li></ul>                                   | <ul style="list-style-type: none"><li>Assicurarsi che vi siano almeno 7 mm di spazio dalle pareti posteriore e laterali dell'armadio.</li></ul>               |
|   | <ul style="list-style-type: none"><li>La modalità Vacation (Vacanze) è attivata.</li></ul>   | <ul style="list-style-type: none"><li>Disattivare la modalità Vacation (Vacanze).</li></ul>   |
|   | <ul style="list-style-type: none"><li>Il frigorifero è troppo pieno. Il cibo blocca le aperture per la ventilazione.</li></ul>                   | <ul style="list-style-type: none"><li>Non sovraccaricare il frigorifero. Accertarsi che il cibo non ostruisca le aperture di ventilazione.</li></ul>          |
| Il frigorifero/freezer raffredda eccessivamente.  | <ul style="list-style-type: none"><li>Il controllo della temperatura non è impostato correttamente.</li></ul>                                    | <ul style="list-style-type: none"><li>Impostare la temperatura ad un valore superiore.</li></ul>  |

# Risoluzione dei problemi

| Sintomo                       | Possibili cause   | Soluzione  |
|-------------------------------|---|--|
| La parete interna è bollente. | <ul style="list-style-type: none"> <li>Il frigorifero è dotato di tubazioni isolate termicamente nella parete interna.</li> </ul> | <ul style="list-style-type: none"> <li>Al fine di prevenire la formazione di condensa, il frigorifero è dotato di tubazioni isolate sugli angoli anteriori. Qualora la temperatura ambientale aumenti, questo apparecchio potrebbe non funzionare in modo ottimale. Ciò non indica un guasto al sistema.</li> </ul>  |

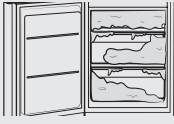
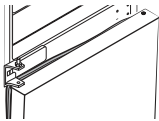
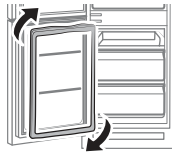
## Odori

| Sintomo  | Possibili cause         | Soluzione  |
|--|-------------------------|--|
| Nel frigorifero si avvertono alcuni cattivi odori. | • Cibo guasto.          | • Pulire il frigorifero e rimuovere eventuale cibo guasto. |
|  | • Cibo dal forte odore. | • Avvolgere con pellicola i cibi con un forte odore.       |

## Brina

| Sintomo                                      | Possibili cause  | Soluzione   |
|--|--|---|
| Brina intorno alle aperture di ventilazione. | • Il cibo blocca le aperture per la ventilazione.                      | • Accertarsi che il cibo non ostruisca le aperture di ventilazione.                                 |
| Sulla pareti interne si forma della brina.   | • Lo sportello non è chiuso bene.                                      | • Assicurarsi che il cibo non impedisca la chiusura della porta. Pulire la guarnizione della porta. |
| La frutta e la verdura sono congelate.       | • La frutta e la verdura sono conservate nel cassetto Fresh/Chef Zone. | • Il cassetto Fresh/Chef Zone è dedicato solo alla conservazione di carne e pesce.                  |



| Sintomo  | Possibili cause   | Soluzione  |
|--|---|--|
| <p>Eccessiva brina accumulata nel freezer.</p>  | <ul style="list-style-type: none"> <li>La porta non si chiude per la mancata inversione della guarnizione a seguito dell'inversione della porta.</li> </ul>  | <ul style="list-style-type: none"> <li>Rimuovere la guarnizione dalla porta quindi fissarla nuovamente dopo averla ruotata di 180°.</li> </ul>  |

### Condensa

| Sintomo  | Possibili cause   | Soluzione  |
|--|---|--|
| <p>Sulle pareti interne si forma della condensa.</p> | <ul style="list-style-type: none"> <li>Se la porta viene lasciata aperta, l'umidità penetra nel frigorifero.</li> </ul> | <ul style="list-style-type: none"> <li>Rimuovere l'umidità e non aprire la porta per un lungo periodo di tempo.</li> </ul> |
|  | <ul style="list-style-type: none"> <li>Cibo con elevato contenuto di umidità.</li> </ul>                                | <ul style="list-style-type: none"> <li>Avvolgere con pellicola il cibo.</li> </ul>   |

### Avviso acustico

| Sintomo                      | Possibili cause  | Soluzione   |
|------------------------------|--|---|
| <p>Si avverte un allarme</p> | <ul style="list-style-type: none"> <li>Se la porta viene lasciata aperta per oltre due minuti, l'allarme suonerà fino a quando la porta non venga chiusa.</li> </ul> | <ul style="list-style-type: none"> <li>Premere un tasto qualsiasi per disattivare l'allarme. Contattare un Centro di assistenza autorizzato Samsung se l'allarme suona di nuovo dopo 12 ore.</li> </ul> |

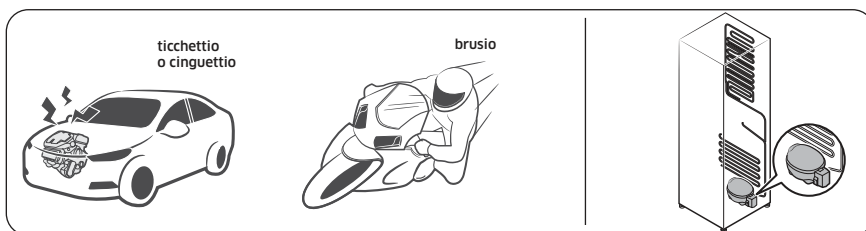
# Risoluzione dei problemi

## Si avvertono rumori anomali provenire dal frigorifero?

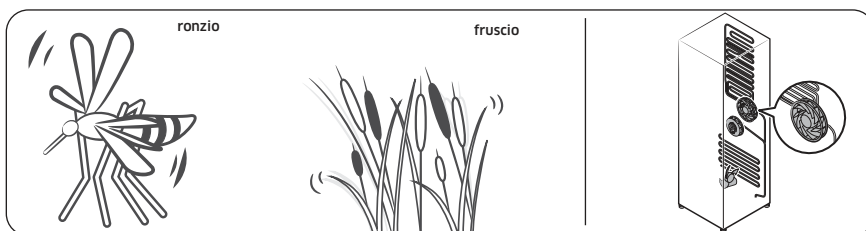
Prima di chiamare l'assistenza rivedere i punti di controllo sotto. Eventuali richieste di assistenza relative a rumori normali saranno a carico dell'utente.

**Questi rumori sono normali.**

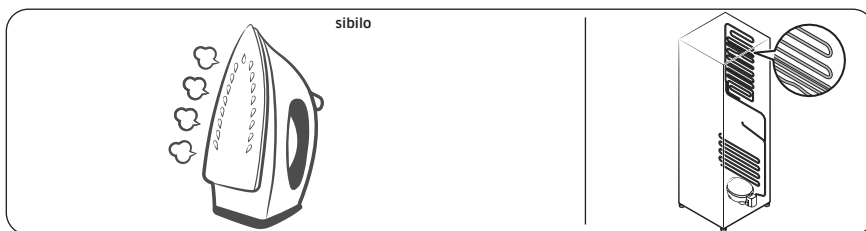
- Durante l'inizio o il termine di una operazione il frigorifero può emettere un rumore simile all'accensione di un'automobile. Con lo stabilizzarsi del funzionamento, il rumore diminuirà.



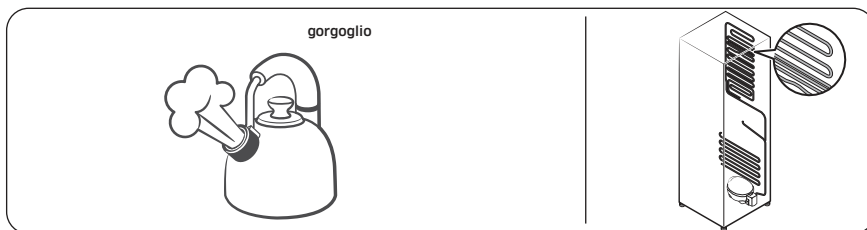
- Durante il funzionamento della ventola, possono verificarsi tali rumori. Quando il frigorifero raggiunge la temperatura impostata, la ventilazione si disattiva.



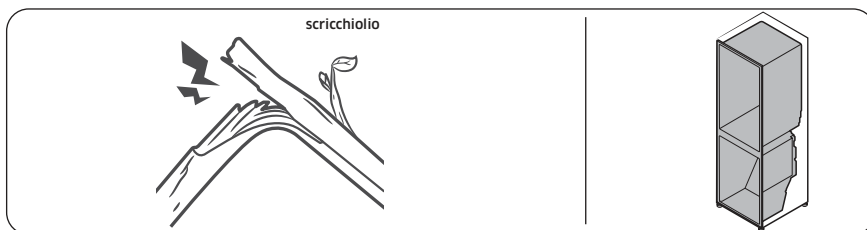
- Durante un ciclo di sbrinamento, l'acqua potrebbe gocciolare sull'elemento riscaldante per lo sbrinamento provocando un rumore simile allo sfrigolio.



- Con il raffreddamento o il congelamento, il gas refrigerante si sposta all'interno delle tubazioni sigillate provocando dei gorgoglii.



- Con l'aumento o la riduzione della temperatura, le parti in plastica si contraggono o si espandono generando dei rumori. Tali rumori si verificano durante il ciclo di sbrinamento o durante il funzionamento delle parti elettroniche.



- Per i modelli dotati di macchina per il ghiaccio: Quando la valvola dell'acqua si apre per riempire la macchina del ghiaccio, si avvertono dei ronzii.
- A causa dell'equalizzazione della pressione, durante l'apertura e la chiusura della porta si avvertono dei fruscii.

# Risoluzione dei problemi

## SmartThings (solo modelli relativi)

| Sintomo  | Azione   |
|--|--|
| Impossibile trovare "SmartThings" nell'app market.                               | <ul style="list-style-type: none"><li>La versione del software di supporto della app SmartThings è soggetta a variazioni secondo le politiche di supporto del SO fornito dal produttore. Inoltre, come per la app SmartThings o le funzioni supportate da essa, le nuove politiche di aggiornamento dell'applicazione della versione del SO esistente possono essere sospese per motivi di uso o sicurezza.</li></ul>  |
| La app SmartThings non si avvia.   | <ul style="list-style-type: none"><li>La app SmartThings è disponibile solo per i modelli che la supportano.</li><li>La precedente app Samsung Smart Refrigerator non è in grado di collegarsi con i modelli Samsung Smart Home.</li></ul>   |
| La app SmartThings è installata ma non si collega al frigorifero.                | <ul style="list-style-type: none"><li>Per utilizzare la app è necessario accedere al proprio account Samsung.</li><li>Assicurarsi che il router funzioni regolarmente.</li><li>Se l'icona Wi-Fi sul display del frigorifero sia spenta, ciò indica che non sia stata ancora stabilita alcuna connessione di rete. In questo caso, usare la app SmartThings per collegare e registrare il proprio frigorifero all'access point (AP) della propria abitazione.</li></ul> |
| Impossibile collegarsi alla app.   | <ul style="list-style-type: none"><li>Per utilizzare la app è necessario accedere al proprio account Samsung.</li><li>Qualora non si disponga di un account Samsung, seguire le istruzioni visualizzate sullo schermo per crearne uno.</li></ul>   |
| Quando provo a registrare il mio frigorifero compare un messaggio di errore.     | <ul style="list-style-type: none"><li>Easy Connection (Connessione rapida) potrebbe non riuscire a collegarsi a causa della distanza dal router o alle interferenze elettriche derivanti dall'ambiente circostante. Attendere qualche minuto e riprovare.</li></ul>  |
| La app SmartThings si collega con successo al frigorifero ma non viene eseguita. | <ul style="list-style-type: none"><li>Uscire e riavviare la app SmartThings o scollegare e ricollegare il router.</li><li>Spegnere il frigorifero, quindi riaccenderlo Dopo 1 minuto.</li></ul>  |
| L'icona Wi-Fi lampeggia (📶)  | <ul style="list-style-type: none"><li>Collegare il frigorifero alla app SmartThings prima dell'uso. Una volta stabilita la connessione, la spia smette di lampeggiare.<ul style="list-style-type: none"><li>Qualora non si riesca ad effettuare la connessione o non si desidera utilizzare la app, tenere premuto il tasto <b>Fridge (Frigo)</b> per 10 secondi. La spia smette di lampeggiare.</li></ul></li></ul>   |

# Appendice

## Istruzioni di sicurezza

- Per i migliori risultati in termini di efficienza energetica, tenere tutti gli accessori interni quali cestelli, cassetti, ripiani e vaschette per il ghiaccio nella posizione indicata dal costruttore.

## Istruzioni di installazione

### Per gli apparecchi di refrigerazione con classi climatiche

In base alla sua classe climatica, questo apparecchio di refrigerazione è progettato per essere utilizzato a temperature ambiente come indicato nella tabella che segue.

La classe climatica può essere individuata sull'etichetta dei valori nominali. Il prodotto potrebbe non operare correttamente a temperature al di fuori dell'intervallo di valori indicato.

La classe climatica può essere individuata sull'etichetta dei valori nominali all'interno del prodotto.

### Temperatura di funzionamento effettivo

Il frigorifero è stato progettato per funzionare normalmente all'interno dell'intervallo di temperature indicato per la sua classe energetica.

| Classe           | Simbolo | Intervallo temperatura ambiente (°C) |              |
|------------------|---------|--------------------------------------|--------------|
|                  |         | IEC 62552 (ISO 15502)                | ISO 8561     |
| Temperata estesa | SN      | da +10 a +32                         | da +10 a +32 |
| Temperata        | N       | da +16 a +32                         | da +16 a +32 |
| Subtropicale     | ST      | da +16 a +38                         | da +18 a +38 |
| Tropicale        | T       | da +16 a +43                         | da +18 a +43 |

### NOTA

Le prestazioni di raffreddamento ed il consumo energetico del frigorifero potrebbero essere influenzati dalla temperatura ambientale, la frequenza di apertura della porta e la posizione del frigorifero. Regolare la temperatura in base alle proprie necessità.

# Appendice

## Istruzioni sulla temperatura

### Temperatura consigliata

La temperatura ottimale consigliata per la conservazione dei cibi:

- Fridge (Frigo): 3 °C
- Freezer: -19 °C

#### **NOTA**

L'impostazione ottimale della temperatura di ogni scomparto dipende dalla temperatura ambientale. La temperatura ottimale sopra si basa sulla temperatura ambientale di 25 °C.

### Raffreddamento rapido

Raffreddamento rapido accelera il processo di raffreddamento con la massima velocità di ventilazione. Il frigorifero continua a funzionare al massimo per due ore e mezza per poi tornare alla temperatura precedente.

### Congelamento rapido

La funzione Congelamento rapido accelera il processo di congelamento con la massima velocità di ventilazione. Il freezer continua a funzionare al massimo per 50 ore quindi torna alla temperatura precedente. Per congelare grandi quantità di cibo, attivare la funzione Congelamento rapido per almeno 20 ore prima di inserire il cibo nel freezer.

#### **NOTA**

L'uso di questa funzione comporta un aumento del consumo energetico del frigorifero. Disattivarla qualora non sia necessaria, riportando il freezer alla temperatura originaria.

### Come avere una conservazione ottimale (solo alcuni modelli)

Coprire i cibi al fine di conservarne l'umidità e impedire che assumano altri odori. Una grande porzione di cibo come una minestra o uno stufato deve essere suddiviso in porzioni più piccole e conservato in recipienti poco profondi prima di essere inserito nel freezer. Un taglio di carne di grosse dimensioni o un pollo intero deve essere suddiviso in più parti prima di essere conservato in frigorifero.

#### Disposizione dei cibi

|   |  |
|---|--|
| Ripiani                                   | I ripiani devono essere regolati in base alle dimensioni delle confezioni dei cibi da conservare.  |
| Comparti dedicati (solo modelli relativi) | I cassetti dotati di chiusura sono ideali per conservare frutta e verdura. Le verdure richiedono una maggiore presenza di umidità mentre la frutta ne richiede di meno.<br>Tali cassetti sono dotati di dispositivi di controllo per il mantenimento dei livelli di umidità (*in base al modello ed alle opzioni). Un cassetto per la carne con la temperatura regolabile ottimizza il tempo di conservazione di carni e formaggi. |

|                        |  |
|------------------------|--|
| Conservati nella porta | Non conservare cibi deperibili nella porta. Le uova devono essere conservate in un cartone su un ripiano. La temperatura dei balconcini nella porta può variare più della temperatura all'interno. Mantenere la porta chiusa il più possibile. |
| Comparto freezer       | Nel comparto freezer è possibile conservare i cibi congelati, formare cubetti di ghiaccio e congelare cibi freschi.  |

#### **NOTA**

Congelare solo cibi freschi e non guasti. Conservare il cibo da congelare lontano dai cibi già congelati. Al fine di impedire che i cibi perdano il sapore o si disidratino, conservarli in contenitori ermetici.

#### **Diagramma Frigorifero & Freezer**

La durata della freschezza dei cibi dipende dalla temperatura e dall'umidità. Dal momento che le date di scadenza dei prodotti non sono un riferimento sicuro per una consumazione sicura dei cibi, consultare questo diagramma e seguire questi suggerimenti.

##### Prodotti del latte

| Prodotto          | Frigorifero | Freezer         |
|-------------------|-------------|-----------------|
| Latte             | 1 settimana | 1 mese          |
| Burro             | 2 settimane | 12 Mesi         |
| Gelato            | -           | 2-3 settimane   |
| Formaggio fresco  | 1 mese      | 4-6 Mesi        |
| Formaggio cremoso | 2 settimane | Non consigliato |
| Yogurt            | 1 mese      | -               |

##### Carne

| Prodotto                                 | Frigorifero | Freezer  |
|--|-------------|----------|
| Arrosti freschi, bistecche, spiedini     | 3-4 Giorni  | 2-3 Mesi |
| Carne fresca, stufati                    | 1-2 Giorni  | 3-4 Mesi |
| Pancetta                                 | 7 giorni    | 1 mese   |
| Salsiccia, maiale crudo, manzo, tacchino | 1-2 Giorni  | 1-2 Mesi |

# Appendice

## Pollame / Uova

| Prodotto                | Frigorifero   | Freezer         |
|-------------------------|---------------|-----------------|
| Pollame fresco          | 2 giorni      | 6-8 Mesi        |
| Insalata di pollo       | 1 giorno      | -               |
| Uova, fresche in guscio | 2-4 settimane | Non consigliato |

## Pesce / Frutti di mare

| Prodotto                      | Frigorifero   | Freezer         |
|-------------------------------|---------------|-----------------|
| Pesce fresco                  | 1-2 Giorni    | 3-6 Mesi        |
| Pesce cotto                   | 3-4 Giorni    | 1 mese          |
| Insalata di pesce             | 1 giorno      | Non consigliato |
| Pesce essiccato o in salamoia | 3-4 settimane | -               |

## Frutta

| Prodotto            | Frigorifero   | Freezer   |
|---------------------|---------------|-----------|
| Mele                | 1 mese        | -         |
| Pesche              | 2-3 settimane | -         |
| Ananas              | 1 settimana   | -         |
| Altra frutta fresca | 3-5 Giorni    | 9-12 Mesi |

## Verdure

| Prodotto  | Frigorifero | Freezer |
|---|-------------|---------|
| Asparagi  | 2-3 Giorni  | -       |
| Broccoli, cavoletti di Bruxelles, piselli, funghi | 3-5 Giorni  | -       |
| Cavolo, cavolfiore, cetrioli, lattuga             | 1 settimana | -       |
| Carote, barbabietole, ravanelli                   | 2 settimane | -       |



---

## Informazioni sul modello e l'ordinazione di parti di ricambio

---

### Informazioni sul modello

Per accedere alle informazioni energetiche di questo prodotto nel European Product Registry for Energy Labelling (EPREL), scansionare il codice QR dell'etichetta energetica.

Il codice QR è reperibile sull'etichetta energetica contenuta nella confezione del prodotto.

### Informazione sulla parte di ricambio

- Il periodo minimo nel quale i ricambi necessari continueranno ad essere disponibili
  - 7 anni termostati, sensori di temperatura, circuiti stampati e luci, maniglie di porte, cerniere, vassoi, guarnizioni (scatole o cassette)
  - 10 anni guarnizioni delle porte
- La durata minima della garanzia dei dispositivi di refrigerazione offerta dal costruttore è di 24 mesi.
- Informazioni importanti per l'ordinazione dei ricambi, direttamente o tramite altri canali sono fornite dal costruttore, importatore o rappresentanti autorizzati
- È possibile ottenere informazioni sulle riparazioni professionali alla pagina <http://samsung.com/support>.  
È possibile trovare il manuale di assistenza dell'utente alla pagina <http://www.samsung.com/>

# Open Source Announcement

---

## Open Source Announcement

---

The software included in this product contains open source software. You may obtain the complete corresponding source code for a period of three years after the last shipment of this product by contacting our support team via <http://opensource.samsung.com> (Please use the “Inquiry” menu.)

It is also possible to obtain the complete corresponding source code in a physical medium such as a CD-ROM; a minimal charge will be required.

The following URL [http://opensource.samsung.com/opensource/COMMON\\_TZ6\\_0/seq/0](http://opensource.samsung.com/opensource/COMMON_TZ6_0/seq/0) leads to the open source license information as related to this product. This offer is valid to anyone in receipt of this information.



# Memo

---

## NOTA

Samsung dichiara che questo apparecchio radio è conforme alla Direttiva 2014/53/UE e con le relative disposizioni di legge nel Regno Unito.

Il testo completo della Dichiarazione di conformità UE e la Dichiarazione di conformità del Regno Unito sono disponibili all'indirizzo internet: La Dichiarazione di conformità ufficiale è reperibile all'indirizzo <http://www.samsung.com>, accedendo alla pagina Supporto > Supporto prodotto e digitando il nome del modello.

|           | Gamma frequenze | Potenza trasmettitore (Max) |
|-----------|-----------------|-----------------------------|
| Wi-Fi     | 2412 - 2472 MHz | 20 dBm                      |
| Bluetooth | 2402 - 2480 MHz | 20 dBm                      |

|             |   |   |
|-------------|---|---|
| FRANCE      | 01 48 63 00 00  | <a href="http://www.samsung.com/fr/support">www.samsung.com/fr/support</a>  |
| GERMANY     | 06196 77 555 77   | <a href="http://www.samsung.com/de/support">www.samsung.com/de/support</a>  |
| LUXEMBURG   | 261 03 710  | <a href="http://www.samsung.com/be_fr/support">www.samsung.com/be_fr/support</a>  |
| NETHERLANDS | 088 90 90 100   | <a href="http://www.samsung.com/nl/support">www.samsung.com/nl/support</a>  |
| BELGIUM     | 02-201-24-18  | <a href="http://www.samsung.com/be/support">www.samsung.com/be/support</a> (Dutch)<br><a href="http://www.samsung.com/be_fr/support">www.samsung.com/be_fr/support</a> (French) |
| NORWAY      | 21629099  | <a href="http://www.samsung.com/no/support">www.samsung.com/no/support</a>  |
| DENMARK     | 707 019 70  | <a href="http://www.samsung.com/dk/support">www.samsung.com/dk/support</a>  |
| FINLAND     | 030-6227 515  | <a href="http://www.samsung.com/fi/support">www.samsung.com/fi/support</a>  |
| SWEDEN      | 0771-400 300  | <a href="http://www.samsung.com/se/support">www.samsung.com/se/support</a>  |
| CYPRUS      | 8009 4000 only from landline, toll free   | <a href="http://www.samsung.com/gr/support">www.samsung.com/gr/support</a>  |
| GREECE      | 80111-SAMSUNG (80111 726 7864) only from land line<br>(+30) 210 6897691 from mobile and land line |   |
| ITALIA      | 800-SAMSUNG (800.7267864)   | <a href="http://www.samsung.com/it/support">www.samsung.com/it/support</a>  |
| PORTUGAL    | 210 608 098<br>Chamada para a rede fixa nacional<br>Dias úteis das 9h às 20h                      | <a href="http://www.samsung.com/pt/support">www.samsung.com/pt/support</a>  |
| SPAIN       | 91 175 00 15  | <a href="http://www.samsung.com/es/support">www.samsung.com/es/support</a>  |



# Frigorífico

---

## Manual del usuario

---

Electrodoméstico empotrado

**SAMSUNG**

# Índice

---

|   |           |
|---|-----------|
| <b>Información de seguridad</b>                                       | <b>3</b>  |
| Lo que debe saber sobre las instrucciones de seguridad                | 3         |
| Símbolos y precauciones de seguridad importantes:                     | 6         |
| Precauciones de seguridad importantes                                 | 7         |
| Señales de advertencia importantes sobre el transporte y la ubicación | 11        |
| Advertencias de instalación muy importantes                           | 11        |
| Precauciones de instalación   | 15        |
| Advertencias de uso muy importantes                                   | 16        |
| Precauciones de uso   | 21        |
| Precauciones de limpieza  | 23        |
| Advertencias de eliminación muy importantes                           | 25        |
| Consejos adicionales para un uso correcto                             | 26        |
| Instrucciones sobre los RAEE  | 28        |
| <b>Instalación</b>  | <b>29</b> |
| Descripción general del frigorífico                                   | 29        |
| Instalación paso a paso   | 30        |
| <b>Funcionamiento</b>   | <b>41</b> |
| Panel principal   | 41        |
| SmartThings (solo modelos aplicables)                                 | 46        |
| Información sobre el almacenamiento                                   | 49        |
| <b>Mantenimiento</b>  | <b>51</b> |
| Manipulación y cuidado  | 51        |
| Limpieza  | 53        |
| Recambio  | 53        |
| <b>Solución de problemas</b>  | <b>54</b> |
| General   | 54        |
| ¿Se oyen ruidos anómalos procedentes del frigorífico?                 | 57        |
| SmartThings (solo modelos aplicables)                                 | 59        |
| <b>Apéndice</b>   | <b>60</b> |
| Instrucciones de seguridad  | 60        |
| Instrucciones de instalación  | 60        |
| Instrucciones sobre la temperatura                                    | 61        |
| Información para el modelo y el pedido de piezas de repuesto          | 64        |
| <b>Open Source Announcement</b>                                       | <b>65</b> |
| Open Source Announcement  | 65        |

# Información de seguridad

---

Antes de utilizar su nuevo frigorífico Samsung, lea detenidamente este manual a fin de aprender a usar de manera segura y eficiente las funciones que ofrece su nuevo aparato.

## Lo que debe saber sobre las instrucciones de seguridad

---

- Las advertencias y las instrucciones de seguridad importantes de este manual no abarcan todas las situaciones posibles que puedan surgir. Es su responsabilidad usar el sentido común y actuar con precaución y cuidado durante la instalación, el mantenimiento y el uso del electrodoméstico.
- Ya que las siguientes instrucciones de funcionamiento se aplican a varios modelos, las características de su frigorífico pueden variar ligeramente de las descritas en este manual y es posible que no sean relevantes todos los símbolos de advertencia. Si tiene consultas o dudas, puede ponerse en contacto con el centro de servicio técnico más cercano o solicitar ayuda e información en línea en [www.samsung.com](http://www.samsung.com).
- Como refrigerante, se utiliza R-600a o R-134a. Compruebe la etiqueta del compresor situada en la parte posterior del electrodoméstico o la etiqueta de especificaciones del interior del frigorífico para ver cuál es el refrigerante utilizado. Si este producto contiene gas inflamable (refrigerante R-600a), póngase en contacto con las autoridades locales en relación con la eliminación segura de este producto.

## Información de seguridad

---

- Para evitar que se mezclen el gas inflamable y el aire en caso de una fuga en el circuito de refrigeración, el tamaño de la habitación donde se pueda instalar el electrodoméstico dependerá de la cantidad de refrigerante utilizado.
- Es peligroso que cualquier persona que no sea una persona del servicio técnico autorizada realice el mantenimiento de este electrodoméstico.
- Nunca ponga en marcha un electrodoméstico que presente indicios de daños. En caso de duda, póngase en contacto con el distribuidor. El tamaño de la habitación debe ser de 1 m<sup>3</sup> por cada 8 g de refrigerante R-600a del electrodoméstico.

La cantidad de refrigerante de cada electrodoméstico se indica en la placa de identificación que se encuentra en el interior.

- Una fuga de refrigerante de los tubos se puede inflamar o causar lesiones oculares. Si hay fugas de refrigerante en los tubos, evite la presencia de llamas, aleje cualquier material inflamable del producto y ventile la habitación inmediatamente.
  - De no hacerlo se podría producir un incendio o una explosión.
- Para evitar la contaminación de alimentos, cumpla las siguientes instrucciones:
  - Abrir la puerta durante períodos prolongados puede generar un aumento significativo de la temperatura en los compartimentos del electrodoméstico.



- 
- Limpie regularmente las superficies que pueden entrar en contacto con alimentos y los sistemas de drenaje accesibles.
  - Limpie los depósitos de agua si no se han utilizado durante 48 horas; enjuague el sistema de agua conectado a un suministro de agua si no se ha extraído agua durante 5 días.
  - Almacene la carne y el pescado crudos en recipientes apropiados en el frigorífico, de forma que no estén en contacto con otros alimentos ni goteen sobre otros alimentos.
  - Los compartimentos de alimentos congelados de dos estrellas son apropiados para almacenar alimentos precongelados, almacenar o fabricar helado y fabricar cubitos de hielo.
  - Los compartimentos de una, dos y tres estrellas no son apropiados para congelar alimentos frescos.
  - Si el aparato de refrigeración se deja vacío durante períodos prolongados, apáguelo, descongélelo, límpielo, séquelo y deje la puerta abierta para evitar la formación de moho dentro del electrodoméstico.

# Información de seguridad

---

## Símbolos y precauciones de seguridad importantes:

Siga todas las instrucciones de seguridad de este manual. En este manual se usan los siguientes símbolos de seguridad.

### **ADVERTENCIA**

Prácticas peligrosas o inseguras que pueden provocar **lesiones físicas graves, daños a la propiedad o la muerte.**

### **PRECAUCIÓN**

Prácticas peligrosas o inseguras que pueden provocar **lesiones físicas graves o daños a la propiedad.**

### **NOTA**

Información útil que ayuda a los usuarios a comprender o a sacar partido del frigorífico.

Estos símbolos de advertencia tienen la función de prevenir lesiones personales a usted y a otras personas.

Debe seguirlos cuidadosamente.

Después de leer esta sección, guárdela para consultas futuras.

---

## Precauciones de seguridad importantes

---



**ADVERTENCIA:** Riesgo de incendio/materiales inflamables

### **ADVERTENCIA**

- Cuando instale el electrodoméstico, asegúrese de que el cable de alimentación no está atrapado ni dañado.
- No coloque regletas de enchufes portátiles o unidades de alimentación móviles en la parte posterior del electrodoméstico.
- Mantenga libres de obstrucciones las aberturas de ventilación de la caja o de la estructura empotrable.
- No utilice dispositivos mecánicos ni otros métodos para acelerar el proceso de descongelación que no sean los recomendados por el fabricante.
- No dañe el circuito de refrigeración.
- No utilice dispositivos eléctricos dentro de los compartimentos de almacenamiento de alimentos del electrodoméstico, a menos que sean de un tipo recomendado por el fabricante.
- Este electrodoméstico no está diseñado para que lo usen personas (incluidos los niños) con discapacidad física, mental o sensorial, o faltas de conocimiento y experiencia, sin la supervisión o las indicaciones de una persona responsable que garanticen un uso seguro del aparato.

## Información de seguridad

---

- Este electrodoméstico lo pueden utilizar niños a partir de los 8 años y personas con discapacidad física, mental o sensorial, siempre y cuando tengan una supervisión o instrucciones sobre el uso de estos electrodomésticos de una forma segura y siendo consecuentes de los posibles peligros que este pueda ocasionar. Los niños no deben jugar con el electrodoméstico. Los niños no deben efectuar tareas de limpieza ni de mantenimiento sin vigilancia. Los niños con edades comprendidas entre los 3 y los 8 años pueden cargar y descargar aparatos de refrigeración.
- Si el cable de alimentación está dañado, lo debe reemplazar el fabricante, su técnico de servicio o personal con una cualificación análoga para evitar riesgos de accidentes.
- La toma de corriente debe ser fácilmente accesible para que el electrodoméstico pueda desenchufarse rápidamente en caso de emergencia.
  - Debe estar fuera de la zona posterior del electrodoméstico.
- No almacene en este aparato sustancias explosivas como envases de aerosoles con propulsores inflamables.
- Si el producto está equipado con lámparas LED, no desmonte la tapa de la lámpara ni la lámpara LED usted mismo.
  - Póngase en contacto con un centro de servicio técnico de Samsung.
  - Utilice solo las lámparas LED suministradas por el fabricante o su personal de servicio técnico.

- 
- Si la lámpara led interior o exterior se ha apagado, póngase en contacto con su centro de servicio técnico más cercano.
  - Para un uso más eficiente de la energía, mantenga todos los accesorios internos, como cestas, cajones o estantes, en la posición en la que los entrega el fabricante.
  - Para obtener el mejor rendimiento energético del producto, deje todos los estantes, cajones y cestos en su posición original.

### Cómo minimizar el consumo de energía

- Instale el aparato en un lugar fresco y seco con la ventilación adecuada.
- No exponga el electrodoméstico a la luz directa del sol ni lo ponga cerca de fuentes de calor directo (un radiador, por ejemplo).
  - Para mejorar la eficiencia energética, se recomienda no bloquear las aberturas ni las rejillas de ventilación.
  - Deje enfriar los alimentos antes de introducirlos en el aparato.
  - Deje descongelar los alimentos en el frigorífico. De este modo se utilizan las bajas temperaturas de los alimentos congelados para enfriar los alimentos del frigorífico.
  - No deje abierta la puerta del frigorífico demasiado tiempo cuando introduzca o saque alimentos.
  - Cuanto menos tiempo esté abierta la puerta, menos hielo se formará en el congelador.

## Información de seguridad

---

- Limpie la parte posterior del electrodoméstico regularmente. El polvo aumenta el consumo de energía.
- No configure una temperatura más baja de lo necesario.
- Asegúrese de que hay una salida de aire suficientemente amplia en la base y en la parte posterior del frigorífico. No tape las aperturas de ventilación.
- Cuando instale el frigorífico deje espacio suficiente a la derecha, a la izquierda, detrás y arriba. Esto ayudará a reducir tanto el consumo de energía como los recibos de la luz.
- Seleccione una cavidad de profundidad de 560 mm. Una cavidad de profundidad menor supondrá un mayor consumo de energía.

### Este aparato está diseñado para utilizarse en entornos domésticos o similares como

- cocinas para el personal de tiendas, oficinas u otros lugares de trabajo
- albergues rurales y habitaciones de hoteles, moteles y otros entornos residenciales
- pensiones y casas de huéspedes
- catering y aplicaciones no minoristas similares.

---

## Señales de advertencia importantes sobre el transporte y la ubicación

---

### **ADVERTENCIA**

- Cuando transporte e instale el electrodoméstico, tenga cuidado de no dañar ninguna pieza del circuito de refrigeración.
  - Una fuga de refrigerante se puede inflamar o causar lesiones oculares. Si detecta una fuga, evite la presencia de llamas o fuentes capaces de provocar una ignición y ventile durante varios minutos la habitación donde está instalado el frigorífico.
  - Este electrodoméstico contiene una pequeña cantidad de refrigerante isobutano (R-600a), un gas natural de alta compatibilidad medioambiental que, sin embargo, también es combustible. Cuando transporte e instale el electrodoméstico, tenga cuidado de no dañar ninguna pieza del circuito de refrigeración.

## Advertencias de instalación muy importantes

---

### **ADVERTENCIA**

- No instale el frigorífico en un lugar húmedo o donde pueda entrar en contacto con el agua.
  - Un aislamiento defectuoso de las partes eléctricas puede causar una descarga eléctrica o un incendio.
- No exponga el frigorífico a la luz directa del sol ni a fuentes de calor, como por ejemplo estufas, calentadores y otros aparatos.

## Información de seguridad

---

- No enchufe más de un aparato en la misma placa de potencia. El frigorífico siempre se debe enchufar en su propia toma de corriente, que tenga una tensión nominal que coincida con la de la placa de especificaciones eléctricas del frigorífico.
  - Así se conseguirá el mejor rendimiento y se impedirá el sobrecalentamiento del cableado, que podría causar un incendio.
- Si la toma mural está floja, no enchufe el cable de alimentación.
  - Hay peligro de descarga eléctrica o incendio.
- No utilice un cable de alimentación que presente grietas o signos de abrasión en toda su longitud o en sus extremos.
- No doble excesivamente el cable de alimentación ni coloque sobre él objetos pesados.
- No tire con excesiva fuerza del cable de alimentación ni lo doble demasiado.
- No retuerza el cable de alimentación.
- No cuelgue el cable de alimentación de un objeto metálico, no ponga sobre él objetos pesados, no lo coloque entre objetos ni lo introduzca en el espacio que hay detrás del electrodoméstico.
- Cuando mueva el frigorífico, tenga cuidado de no enroscar ni dañar el cable de alimentación.
  - Se podría producir una descarga eléctrica o un incendio.
- No tire del cable para desenchufar el frigorífico. Sujete siempre firmemente el enchufe y tire de él en línea recta.
  - Si se daña el cable de alimentación se puede provocar un cortocircuito, un incendio o una descarga eléctrica.



- 
- No utilice aerosoles cerca del frigorífico.
    - El uso de aerosoles cerca del frigorífico podría causar una explosión o un incendio.
  - No instale este aparato cerca de un calentador o de materiales inflamables.
  - No instale este aparato en un lugar donde pueda haber fugas de gas.
    - Se podría producir una descarga eléctrica o un incendio.
  - Antes de su utilización, este frigorífico debe instalarse correctamente en el lugar adecuado siguiendo las instrucciones de este manual.
  - Conecte el cable de alimentación en la posición adecuada y deje que cuelgue.
    - Si conecta el cable de alimentación invertido, los hilos se pueden cortar y provocar un incendio o una descarga eléctrica.
  - Asegúrese de que el cable no quede aplastado ni lo dañe la parte posterior del frigorífico.
  - Guarde los materiales del embalaje fuera del alcance de los niños.
    - Existe el riesgo de muerte por asfixia si un niño introduce la cabeza en los materiales de embalaje.
  - No instale este aparato en un lugar donde haya humedad, grasas o polvo, o que esté expuesto a la luz directa del sol o al agua de la lluvia.
    - Un aislamiento defectuoso de las partes eléctricas puede causar una descarga eléctrica o un incendio.

## Información de seguridad

---

- Si hay polvo o agua dentro del frigorífico, desenchúfelo y póngase en contacto con el centro de servicio técnico de Samsung.
  - Hay peligro de incendio.
- No se suba al electrodoméstico ni coloque encima de él objetos (como ropa para lavar, velas o cigarrillos encendidos, platos, productos químicos, objetos metálicos, etc.).
  - Se podría provocar una descarga eléctrica, un incendio, problemas con el producto o lesiones personales.
- Antes de conectar el producto por primera vez debe quitar todas las películas de plástico de protección.
- No deje que los niños jueguen con los anillos elásticos del ajuste de las puertas ni con las grapas del tubo de agua.
  - Existe el riesgo de muerte por asfixia si un niño se traga un anillo elástico o una grapa del tubo de agua. Mantenga los anillos elásticos y las grapas del tubo de agua fuera del alcance de los niños.
- El frigorífico debe estar conectado a tierra.
  - Asegúrese siempre de conectar el frigorífico a una toma de tierra antes de intentar examinar o reparar alguna pieza. Las fugas de electricidad pueden provocar una descarga eléctrica.
- Para la conexión a tierra nunca utilice cañerías de gas, líneas de teléfono ni otros elementos que puedan atraer los rayos.
  - La puesta a tierra del frigorífico evita fugas de electricidad o descargas eléctricas originadas por una fuga de corriente del frigorífico.

- 
- Se podría producir una descarga eléctrica, un incendio, una explosión o causar problemas con el funcionamiento del producto.
  - Conecte el enchufe firmemente en la toma mural. No utilice enchufes o cables dañados, ni tomas de pared sueltas.
    - Se podría producir una descarga eléctrica o un incendio.
  - El fusible del frigorífico debe cambiarlo un técnico cualificado o una empresa de servicios técnicos.
    - De no hacerlo así, se podría provocar una descarga eléctrica o lesiones personales.
  - Este electrodoméstico es un modelo empotrado que requiere ventilación guiada. Para evitar el riesgo de explosión, asegúrese de garantizar un espacio para la ventilación.
  - El fusible del frigorífico debe reemplazarlo un técnico o una empresa de servicios acreditados. De no hacerlo así, se podría provocar una descarga eléctrica o lesiones personales.

## Precauciones de instalación

---

### PRECAUCIÓN

- Deje espacio suficiente alrededor del frigorífico e instálelo sobre una superficie plana.
  - Si el frigorífico no está equilibrado, se puede reducir tanto el rendimiento de la refrigeración como la durabilidad del aparato.

## Información de seguridad

---

- Antes de introducir alimentos, el electrodoméstico debe permanecer en posición vertical durante 2-3 horas después de la instalación y de su encendido.
- Es muy recomendable encargar la instalación de este frigorífico a un técnico cualificado o una empresa de servicios.
  - De no hacerlo así, se podría provocar una descarga eléctrica, un incendio, una explosión, problemas con el producto o lesiones personales.

## Advertencias de uso muy importantes

---

### **ADVERTENCIA**

- No enchufe el cable de alimentación en la toma de pared con las manos mojadas.
  - Se puede producir una descarga eléctrica.
- No deposite objetos encima del aparato.
  - Al abrir o cerrar la puerta, los objetos se podrían caer y causar lesiones personales o daños materiales.
- No introduzca las manos ni los pies, ni objetos de metal (como varillas, etc.), en la parte inferior o posterior del frigorífico.
  - Se podría producir una descarga eléctrica o lesiones personales.
  - Los bordes afilados pueden causar lesiones personales.
- No toque las paredes interiores del congelador ni los productos guardados en su interior con las manos mojadas.
  - Se podría causar lesiones por congelación.

- 
- No ponga recipientes que contengan agua encima del frigorífico.
    - Si se derrama agua, hay peligro de incendio o descarga eléctrica.
  - No deje objetos ni sustancias volátiles o inflamables (benceno, disolventes, gas propano, alcohol, éter, gas LP y otros productos similares) en el frigorífico.
    - En este frigorífico solo se deben guardar alimentos.
    - Se puede producir un incendio o una explosión.
  - No deje que los niños jueguen con el electrodoméstico.
    - Tenga cuidado de no pillarse los dedos en los puntos donde existe este riesgo. La holgura entre las puertas y el armario es necesariamente pequeña. Tenga cuidado cuando abra la puerta si hay niños cerca.
  - No ponga sus dedos ni los de los niños entre las puertas.
    - Mantenga los dedos alejados de las holguras izquierda y derecha de las puertas. Tenga cuidado cuando abra las puertas de no atraparse los dedos.
  - No deje que los niños se cuelguen de la puerta ni de los compartimentos. Hay riesgo de lesiones graves.
  - No permita que los niños se introduzcan en el frigorífico. Podrían quedar atrapados.
  - No introduzca las manos debajo del aparato.
    - Los bordes afilados pueden causar lesiones personales.
  - No almacene en el frigorífico productos farmacéuticos, materiales científicos ni otros productos sensibles a las temperaturas.
    - No almacene en el frigorífico productos que requieran un control estricto de la temperatura.

## Información de seguridad

---

- Si advierte olor a fármaco o humo, desconéctelo inmediatamente y llame a su centro de servicio técnico de Samsung Electronics.
- Si hay polvo o agua dentro del frigorífico, desenchúfelo y póngase en contacto con su centro de servicio técnico de Samsung Electronics.
  - Hay peligro de incendio.
- No permita que los niños se suban encima de un cajón.
  - El cajón se puede romper y provocar su caída.
- No deje las puertas del frigorífico abiertas sin supervisión ni permita que los niños se introduzcan en el frigorífico.
- No deje que los niños se metan en el cajón.
  - Si quedan atrapados se podrían asfixiar o sufrir lesiones.
- No llene en exceso el frigorífico.
  - Al abrir o cerrar la puerta, los artículos se podrían caer y causar lesiones personales o daños materiales.
- No rocíe materiales volátiles, como insecticidas, sobre la superficie del aparato.
  - Además de ser perjudiciales para las personas, se podría provocar una descarga eléctrica, un incendio o problemas con el producto.
- No utilice ni deposite sustancias sensibles a la temperatura, como pulverizadores u objetos inflamables, hielo seco, medicinas ni productos químicos cerca o dentro del frigorífico.
- No utilice un secador de pelo para secar el interior del frigorífico. No ponga una vela encendida en el interior del frigorífico para eliminar los malos olores.
  - Se podría producir una descarga eléctrica o un incendio.

- 
- No se suba al electrodoméstico ni coloque encima de él objetos (como ropa para lavar, velas o cigarrillos encendidos, platos, productos químicos, objetos metálicos, etc.). Se podría provocar una descarga eléctrica, un incendio, problemas con el producto o lesiones personales. No ponga recipientes que contengan agua encima del electrodoméstico.
    - Si se derrama agua, hay peligro de incendio o descarga eléctrica.
  - No mire directamente la lámpara LED UV durante mucho tiempo.
    - Los rayos ultravioletas pueden causar fatiga ocular.
  - No ponga el estante boca abajo. El tope del estante podría no funcionar.
    - La caída del estante de vidrio podría provocar lesiones personales.
  - Si detecta una fuga de gas, evite la presencia de llamas o posibles fuentes de ignición y ventile durante varios minutos la habitación donde está instalado el electrodoméstico.
    - No toque el aparato ni el cable de alimentación.
    - No utilice un ventilador.
    - Una chispa podría provocar una explosión o un incendio.
  - Las botellas se deben guardar juntas y sin dejar espacio entre ellas para evitar que se caigan.
  - Este producto está diseñado únicamente para almacenar alimentos en un entorno doméstico.

## Información de seguridad

---

- No intente arreglar, desmontar ni modificar el frigorífico usted mismo.
  - Las modificaciones no autorizadas pueden causar problemas de seguridad. Para revertir una modificación no autorizada, cobraremos el coste total de las piezas y la mano de obra.
- No utilice un fusible (como cable de cobre o acero, etc.) que no sea el estándar.
- Si es necesario reparar o volver a instalar el frigorífico, póngase en contacto con su centro de servicio técnico más cercano.
  - De no hacerlo así, se podría provocar una descarga eléctrica, un incendio, problemas con el producto o lesiones personales.
- Si advierte olor a quemado o a humo en el frigorífico, desenchúfelo de inmediato y póngase en contacto con el centro de servicio técnico de Samsung Electronics.
  - De no hacerlo así, se podría provocar una descarga eléctrica o un incendio.
- Desenchufe el electrodoméstico de la toma de corriente antes de cambiar las lámparas interiores del frigorífico.
  - De lo contrario, hay peligro de descarga eléctrica.
- Si tiene dificultades para cambiar una lámpara que no sea LED, póngase en contacto con un centro de servicio técnico de Samsung.
- Conecte el enchufe firmemente en la toma mural.
- No utilice enchufes o cables dañados, ni tomas de pared sueltas.
  - Se podría producir una descarga eléctrica o un incendio.



---

## Precauciones de uso

---

### PRECAUCIÓN

- No vuelva a congelar alimentos que han sido descongelados.
  - Los alimentos que han sido congelados y después descongelados desarrollan bacterias nocivas más rápido que los alimentos frescos.
  - Una segunda descongelación romperá las paredes de más células, lo que supondrá una pérdida de humedad y un cambio en la integridad del producto.
- No descongele la carne a temperatura ambiente.
  - La seguridad dependerá de si el producto crudo se trató de una manera idónea.
- No guarde botellas de vidrio ni bebidas carbónicas en el congelador.
  - El envase se puede congelar y romper y provocar lesiones personales.
- Utilice solo la máquina de hielo proporcionada con el frigorífico.
- Para conseguir el mejor rendimiento del producto:
  - No ponga alimentos demasiado cerca de las salidas de ventilación de la parte posterior del frigorífico ya que podrían obstruir la circulación del aire del compartimento del frigorífico.
  - Envuelva los alimentos adecuadamente o póngalos en un recipiente hermético antes de guardarlos en el frigorífico.
  - Sea estricto con los tiempos de almacenamiento máximo y las fechas de caducidad de los alimentos congelados.

## Información de seguridad

---

- No es necesario que desenchufe el frigorífico de la fuente de alimentación si va a ausentarse menos de tres semanas. Sin embargo, si va a estar ausente más de tres semanas, retire todos los alimentos y el hielo del depósito del hielo, desenchufe el frigorífico, cierre la válvula de agua, seque el exceso de humedad de las paredes interiores y deje las puertas abiertas para evitar la aparición de olores y moho.
- Garantía de servicio y modificaciones.
  - El servicio de garantía de Samsung no cubre los cambios o modificaciones realizados por un tercero a este frigorífico y Samsung no se hace responsable de los problemas relacionados con la seguridad que se deriven de las modificaciones realizadas por terceros.
- No obstruya las rejillas de ventilación internas del frigorífico.
  - Si bloquea las salidas, en especial con bolsas de plástico, el frigorífico se puede enfriar en exceso.
- Elimine el exceso de humedad del interior y deje las puertas abiertas.
  - De lo contrario, pueden generarse malos olores y mohos.
- Si ha desconectado el frigorífico de la fuente de alimentación, deberá esperar al menos cinco minutos antes de volver a conectarlo.
- Si el frigorífico se moja, desenchúfelo y póngase en contacto con el centro de servicio técnico de Samsung Electronics.

- 
- No golpee ni aplique una fuerza excesiva sobre las superficies de vidrio.
    - La rotura del vidrio puede causar lesiones personales o daños materiales.
  - Tenga cuidado de no pillarse los dedos.
  - Si el frigorífico se llena de agua, póngase en contacto con el servicio técnico más cercano.
    - Hay peligro de descarga eléctrica o incendio.
  - No guarde aceite vegetal en los compartimentos de la puerta del frigorífico. El aceite puede solidificarse, lo que alterará su sabor y la facilidad de uso. Además, el envase abierto puede gotear y el aceite vertido puede agrietar el compartimento de la puerta. Una vez abierto el envase de aceite, es mejor guardarlo en un lugar fresco y a la sombra, como un armario o despensa.
    - Ejemplos de aceite vegetal: aceite de oliva, de maíz, de pepitas de uva, etc.

## Precauciones de limpieza

---

### PRECAUCIÓN

- No rocíe agua directamente en el interior ni en el exterior del frigorífico.
  - Hay riesgo de descarga eléctrica o incendio.
- No utilice un secador de pelo para secar el interior del frigorífico.
- No ponga una vela encendida en el interior del frigorífico para eliminar los malos olores.
  - Se podría producir una descarga eléctrica o un incendio.

## Información de seguridad

---

- No rocíe el visor directamente con limpiadores en aerosol.
  - Los caracteres impresos del visor se pueden borrar.
- Si ha penetrado en el aparato cualquier sustancia extraña como agua, desenchufe el cable y póngase en contacto con el centro de servicio técnico más cercano.
  - De no hacerlo así, se podría provocar una descarga eléctrica o un incendio.
- Utilice un paño limpio y seco para eliminar cualquier resto de polvo o suciedad de las clavijas del enchufe. No utilice un paño húmedo o mojado para limpiar el enchufe.
  - Hay peligro de incendio o descarga eléctrica.
- No rocíe agua directamente sobre el aparato para limpiarlo.
- No limpie con benceno, disolventes, lejía ni cloruro.
  - Podría dañar la superficie y provocar un incendio.
- Antes de realizar tareas de limpieza o de mantenimiento, desenchufe el aparato de la toma mural.
  - De no hacerlo así, se podría provocar una descarga eléctrica o un incendio.
- Utilice una esponja limpia o un paño suave y un detergente neutro disuelto en agua tibia para limpiar el frigorífico.
- No utilice limpiadores abrasivos ni muy fuertes, como limpiacristales, limpiadores corrosivos, líquidos inflamables, ácido clorhídrico, ceras limpiadoras, detergentes concentrados, lejías ni limpiadores que contengan petróleo en las superficies exteriores (puertas y paneles), piezas de plástico, revestimientos de puertas e interiores y juntas.
  - Pueden rayar o dañar el material.

- 
- Cuando los estantes o las tapas de vidrio están fríos, no los limpie con agua tibia. Los estantes y las tapas de vidrio pueden romperse si se exponen a cambios bruscos de temperatura o a impactos como golpes o caídas.

## **Advertencias de eliminación muy importantes**

---

### **⚠ ADVERTENCIA**

- Deshágase del embalaje de este aparato de forma respetuosa con el medio ambiente.
- Antes de deshacerse de un aparato compruebe que no estén deteriorados los tubos de la parte posterior.
- Cuando se deshaga de este frigorífico, quite la puerta y los cierres y pestillos de la puerta para que no pueda quedar atrapado en su interior un niño pequeño o un animal. No deje que los niños jueguen con el electrodoméstico. Si un niño queda atrapado dentro se puede lesionar o morir asfixiado.
  - Si un niño queda atrapado dentro se puede lesionar y morir asfixiado.
- Se usa ciclopentano en el aislante. Los gases de los materiales aislantes requieren un procedimiento especial de eliminación. Póngase en contacto con las autoridades locales para deshacerse de este aparato de forma segura para el medio ambiente.
- Guarde los materiales del embalaje fuera del alcance de los niños, ya que pueden ser peligrosos para ellos.
  - Si un niño mete la cabeza en una bolsa, se podría asfixiar.

# Información de seguridad

---

## Consejos adicionales para un uso correcto

---

- En el caso de un fallo de corriente, llame a la oficina local de su compañía eléctrica y solicite información sobre la duración de la interrupción del suministro.
  - La mayoría de los cortes de electricidad que se solucionan en una o dos horas no afectan a la temperatura del frigorífico. Sin embargo, mientras el aparato esté sin corriente abra la puerta lo menos posible.
  - Si el fallo de corriente supera las 24 horas, saque todos los alimentos congelados y deséchelos.
- Es posible que el frigorífico no funcione correctamente (descongelación del contenido o temperatura del compartimento de los congelados demasiado alta) si se ha mantenido durante un tiempo excesivo en un lugar donde la temperatura ambiente esté constantemente por debajo de las temperaturas para las que se ha diseñado este frigorífico.
- En el caso de determinados alimentos, mantenerlos refrigerados puede tener un efecto negativo sobre la conservación debido a sus propiedades.
- Este aparato no genera escarcha y no es necesario descongelarlo manualmente. Esta función se realiza automáticamente.
- El aumento de la temperatura durante la descongelación cumple con los requisitos ISO. Si desea evitar un aumento indebido de la temperatura de los alimentos congelados durante la descongelación del aparato, envuélvalos con varias capas de papel de periódico.

- 
- No vuelva a congelar alimentos que se hayan descongelado completamente.
  - La temperatura en las secciones o compartimentos con el símbolo de dos estrellas ( $\overline{**}$ ) es ligeramente más alta que en los otros compartimentos del congelador.  
La sección (secciones) o compartimento (compartimentos) de dos estrellas se basa en las instrucciones o en el estado en que se entrega.

# Información de seguridad

---

## Instrucciones sobre los RAEE

---



Eliminación correcta de este producto (Residuos de aparatos eléctricos y electrónicos)  
(Se aplica en países con sistemas de recolección por separado)

La presencia de este símbolo en el producto, accesorios o material informativo que lo acompañan, indica que al finalizar su vida útil ni el producto ni sus accesorios electrónicos (como el cargador, cascos, cable USB) deberán eliminarse junto con otros residuos domésticos. Para evitar los posibles daños al medio ambiente o a la salud humana que representa la eliminación incontrolada de residuos, separe estos productos de otros tipos de residuos y reciclelos correctamente. De esta forma se promueve la reutilización sostenible de recursos materiales.

Los usuarios particulares pueden contactar con el establecimiento donde adquirieron el producto o con las autoridades locales pertinentes para informarse sobre cómo y dónde pueden llevarlo para que sea sometido a un reciclaje ecológico y seguro.

Los usuarios comerciales pueden contactar con su proveedor y consultar las condiciones del contrato de compra. Este producto y sus accesorios electrónicos no deben eliminarse junto a otros residuos comerciales.

Para obtener información sobre los compromisos medioambientales y las obligaciones reglamentarias del producto de Samsung, por ejemplo, REACH, WEEE y pilas, visite nuestra página de sostenibilidad disponible a través de [www.samsung.com](http://www.samsung.com)

(Solo para productos que se venden en países europeos y Reino Unido)



# Instalación

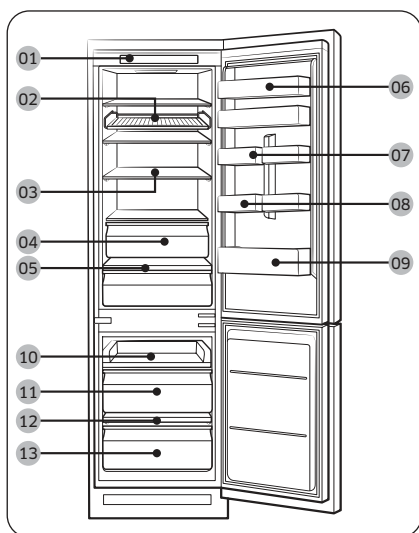
Antes de instalar el frigorífico, siga detenidamente estas instrucciones para asegurar una instalación correcta y evitar accidentes.

## ⚠ ADVERTENCIA

- Utilice este frigorífico solo para las funciones propias que se describen en este manual.
- Los servicios de reparación debe efectuarlos un técnico cualificado.
- Deshágase del embalaje de este aparato en conformidad con la normativa local.
- Para prevenir descargas eléctricas, desenchufe el cable de alimentación antes de las operaciones de servicio o reemplazo.

## Descripción general del frigorífico

La imagen real y los componentes proporcionados del frigorífico pueden diferir, según el modelo y el país.



- 01 Panel de control
- 02 Estante para vino \*
- 03 Estante del frigorífico \*
- 04 Cajón del frigorífico \*
- 05 Estante para verduras \*
- 06 Compartimento superior de la puerta \*
- 07 Compartimento de la puerta para productos variados
- 08 Bandeja para huevos \*
- 09 Compartimento de la puerta del frigorífico
- 10 Estante deslizable
- 11 Cajón central del congelador
- 12 Estante del congelador \*
- 13 Cajón inferior del congelador

\* solo modelos aplicables

## 📖 NOTA

- Para mayor eficiencia energética, asegúrese de que todos los estantes, cajones y cestas están en su posición original.
- Solo para los modelos que tienen estante del congelador:
  - Para congelar rápidamente grandes cantidades de alimentos, utilice el congelador después de retirar el cajón inferior del congelador.
  - Para obtener más espacio, puede retirar el estante deslizable (10) y los dos cajones del congelador (11, 13) que se encuentran debajo, pero mantener el estante del congelador en el cajón inferior del congelador. No afectan a las características térmicas y mecánicas. El volumen de almacenamiento declarado del compartimento de alimentos congelados se calcula con el estante y los cajones del congelador retirados.

# Instalación

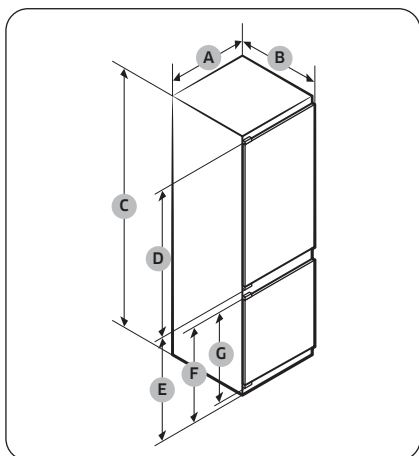
## Instalación paso a paso

### PASO 1 Selección de la ubicación

Requisitos del lugar:

- Superficie sólida y nivelada sin alfombras ni suelos que puedan obstruir la ventilación
- Alejado de la luz directa del sol
- Espacio suficiente para abrir y cerrar la puerta
- Alejado de fuentes de calor
- Espacio suficiente para tareas de mantenimiento y reparación

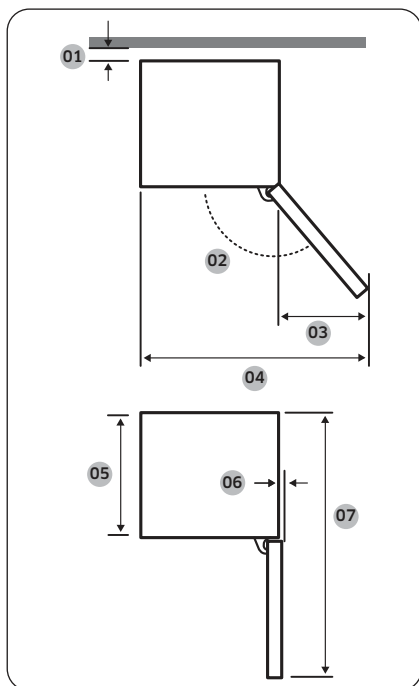
Dimensiones del producto



|   | BRB***26*          | BRB***30*          |
|---|--------------------|--------------------|
| A | 540±2              | 540±2              |
| B | 550±2 (con puerta) | 550±2 (con puerta) |
| C | 1775±2             | 1935±2             |
| D | 987                | 1147               |
| E | 735                | 735                |
| F | 671                | 671                |
| G | 621                | 621                |

(unidad: mm)

## Dimensiones totales del producto



| Modelo | BRB*****SO<br>TIPO DESLIZANTE | BRB*****FO<br>TIPO FIJO |
|--------|-------------------------------|-------------------------|
| 01 *   | 10 (mín.) / 30 (recomendado)  |                         |
| 02     | 95° (recomendado)             | 115° (recomendado)      |
| 03     | 218                           | 180                     |
| 04     | 758                           | 700                     |
| 05     | 510                           | 510                     |
| 06     | 1                             | 5                       |
| 07     | 1055                          | 1055                    |

\* 01: Desde el armario hasta la parte trasera del producto.

(unidad: mm)

### NOTA

- El consumo de energía especificado se basa en la condición de una separación de 10 mm entre el armario y la parte trasera del producto. El producto funcionará correctamente incluso con una separación inferior a 10 mm, aunque consumirá algo más de energía.
- Recomendamos utilizar un armario de 18 mm de grosor con bisagras de menos de 20 mm.

### NOTA

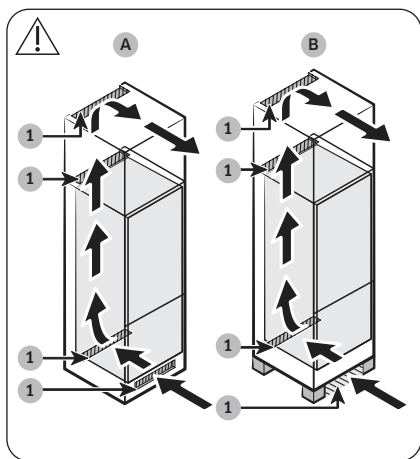
- Las medidas de la tabla anterior pueden diferir, dependiendo del método de medición.
- Para la instalación empotrada, consulte el manual de instalación.

# Instalación

## Sistema de ventilación del armario

Como se muestra en la figura, el aire que entra en el frigorífico circula por la vía de ventilación (ver la dirección de la flecha) del armario. El armario debe tener un espacio mínimo de 200 cm<sup>2</sup> (ancho x alto: 500 mm x 40 mm) de espacio tanto para la entrada como para la salida de aire. Además, el armario debe tener un respiradero trasero de al menos 200 cm<sup>2</sup> (ancho x alto: 500 mm x 40 mm) de espacio en la parte inferior trasera.

### Entrada de aire

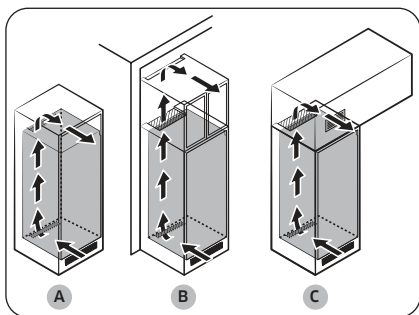


|   |                     |
|---|---------------------|
| 1 | 200 cm <sup>2</sup> |
|---|---------------------|

La entrada de aire debe colocarse en uno de los ejemplos siguientes, o en una posición similar, según el tipo de armario.

- A. Un orificio de ventilación incluido en el armario.
- B. Un armario con patas.

### Salida de aire



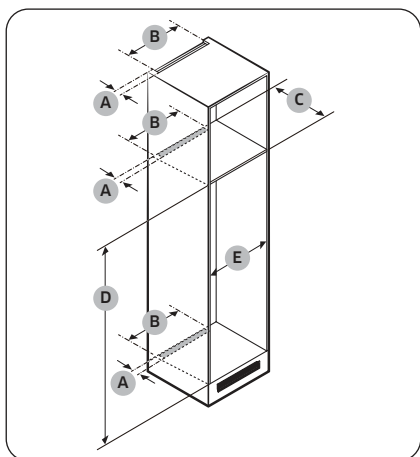
La salida de aire debe colocarse en uno de los ejemplos siguientes, o en una posición similar, dependiendo del tipo de armario.

- A. Inmediatamente por encima del frigorífico con una rejilla de ventilación opcional
- B. Cerca del techo del armario
- C. Por encima del frigorífico con una rejilla de ventilación incorporada por separado

### **⚠ PRECAUCIÓN**

Independientemente del diseño del armario, el sistema de ventilación de aire no debe estar bloqueado por ningún tipo de instalación.

## Dimensiones del armario



### ⚠ PRECAUCIÓN

Si el armario tiene puerta, asegúrese de que esta no pese para evitar que se vuelque o se caiga.

| Puerta del armario   | Anchura (mm)       | Peso (kg) |
|----------------------|--------------------|-----------|
| Lado del frigorífico | Mín. 16<br>Máx. 19 | Máx. 18   |
| Lado del congelador  |                    | Máx. 12   |

Cualquier fallo del producto debido a lo siguiente no está cubierto por la garantía.

1. Condiciones de emplazamiento inadecuadas o tamaños de armario incorrectos
2. Armario defectuoso
3. Errores del instalador o del usuario

## Espacio requerido

Consulte las imágenes y las tablas siguientes para conocer los requisitos de espacio para la instalación.

| Modelo                          |             | A (mm) | B (mm) | C (mm) | D (mm) | E (mm) | Observación    |
|---------------------------------|-------------|--------|--------|--------|--------|--------|----------------|
| BRB***26**S0<br>TIPO DESLIZANTE | Mín.        | 40     | 500    | 560    | 1778   | 560    |                |
|                                 | Recomendado |        |        | 580    | 1780   | 562    |                |
|                                 | Máx.        |        |        | -      | 1782   | 568    |                |
| BRB***26**F0<br>TIPO FIJO       | Mín.        | 40     | 500    | 560    | 1778   | 555    | Bisagra: 17 mm |
|                                 | Recomendado |        |        | 580    | 1780   | 562    |                |
|                                 | Máx.        |        |        | -      | 1782   | 568    |                |
| BRB***30**S0<br>TIPO DESLIZANTE | Mín.        | 40     | 500    | 560    | 1938   | 560    |                |
|                                 | Recomendado |        |        | 580    | 1940   | 562    |                |
|                                 | Máx.        |        |        | -      | 1942   | 568    |                |
| BRB***30**F0<br>TIPO FIJO       | Mín.        | 40     | 500    | 560    | 1938   | 555    | Bisagra: 17 mm |
|                                 | Recomendado |        |        | 580    | 1940   | 562    |                |
|                                 | Máx.        |        |        | -      | 1942   | 568    |                |

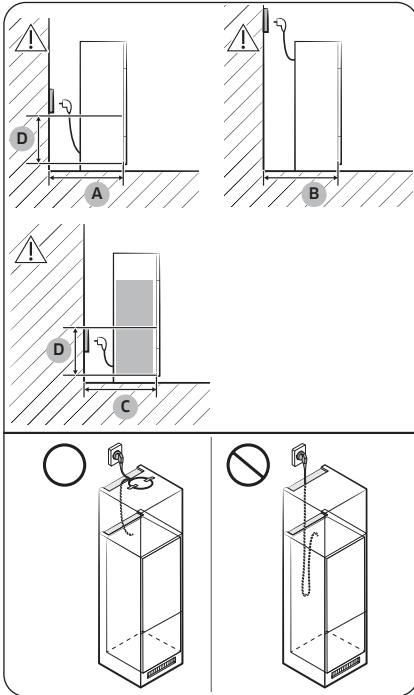
### 📄 NOTA

- Si la anchura de un armario es superior a 568 mm, la junta (entre el frigorífico y el armario) puede aflojarse.

# Instalación

- Si el armario es más alto que las dimensiones máximas (1782 mm), deberá utilizar otros materiales de acabado para rellenar el hueco.

Consideración en cuanto a la ubicación de la toma de corriente y del espacio necesario



|   |          |
|---|----------|
| A | Mín. 590 |
| B | Mín. 560 |
| C | Mín. 580 |
| D | 240      |

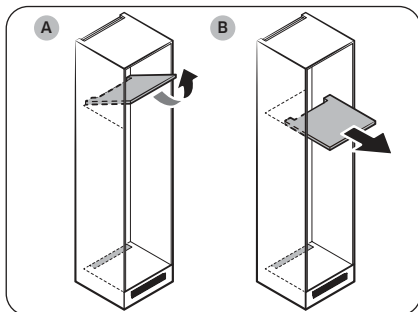
(unidad: mm)

## NOTA

Si instala el frigorífico en un armario de 560 mm de profundidad, asegúrese de que el cable de alimentación está dispuesto en un lateral del frigorífico antes de enchufarlo a la toma de corriente. Si el cable de alimentación está en la parte trasera del frigorífico, podría disminuir la eficiencia energética.

## Tipo de armario

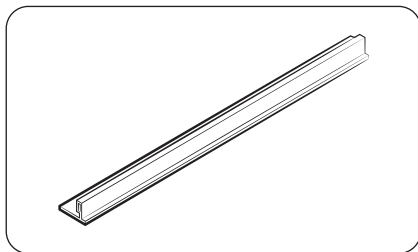
El tipo de armario recomendado es uno de los siguientes:



### NOTA

Si se utiliza cualquiera de estos tipos de armario, no es necesario retirar la unidad principal del armario para reparar un PBA principal defectuoso. Si utiliza otro tipo de armario, deberá retirar la unidad principal de ese armario para realizar el mantenimiento.

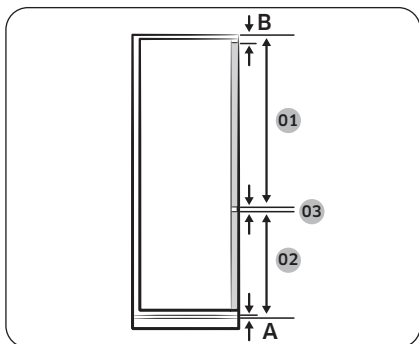
- A. Tipo abatible
- B. Tipo deslizante



### NOTA

- El uso de un armario de tamaño no recomendado puede hacer que la junta entre el frigorífico y el armario se afloje después de introducir el frigorífico en el armario.

# Instalación



## NOTA

Para instalar un armario que requiera una separación de 3 mm (03), consulte la tabla de referencia de armarios que aparece a continuación.

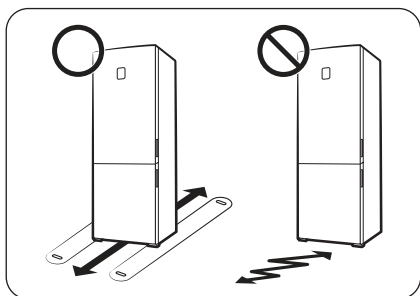
| Modelo | BRB***26**SO<br>TIPO DESLIZANTE                               | BRB***26**FO<br>TIPO FIJO  |
|--------|---|----------------------------|
| 01     | Mín. 1041+B<br>Máx. 1102+B                                    | Mín. 1063+B<br>Máx. 1076+B |
| 02     | Mín. 670+A<br>Máx. 731+A                                      | Mín. 696+A<br>Máx. 709+A   |
| 03     | 3 mm<br>(hueco de la puerta del frigorífico y del congelador) |                            |

| Modelo | BRB***30**SO<br>TIPO DESLIZANTE                               | BRB***30**FO<br>TIPO FIJO  |
|--------|---|----------------------------|
| 01     | Mín. 1204+B<br>Máx. 1262+B                                    | Mín. 1223+B<br>Máx. 1236+B |
| 02     | Mín. 670+A<br>Máx. 731+A                                      | Mín. 696+A<br>Máx. 709+A   |
| 03     | 3 mm<br>(hueco de la puerta del frigorífico y del congelador) |                            |

- A. Borde inferior del panel frontal por encima de la ventilación de aire
- B. Saliente del panel frontal

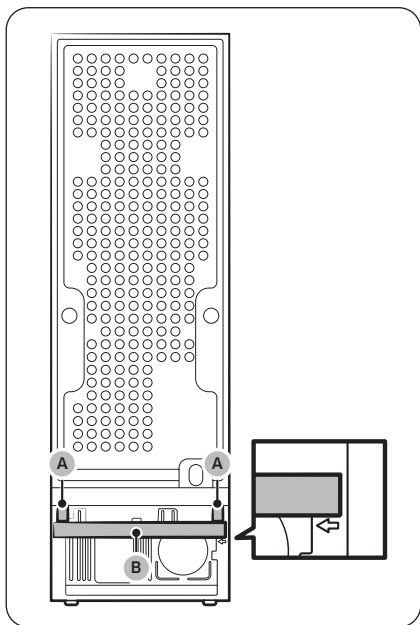


## PASO 2 Pavimento



- La superficie de instalación debe poder sostener un frigorífico a plena carga.
- Para proteger el suelo, coloque un trozo grande de cartón en cada pata del frigorífico.
- Una vez el frigorífico se encuentre en la ubicación definitiva, no lo desplace a menos que sea necesario a fin de proteger el suelo. Si debe hacerlo, cubra el espacio de desplazamiento con papel grueso o tela, por ejemplo una alfombra vieja.

## PASO 3 Espaciador (solo modelos aplicables)



Coloque los **separadores (A)** suministrados y la **esponja (B)** como se muestra en la figura para obtener una eficiencia energética óptima.

### ⚠ PRECAUCIÓN

Si el frigorífico no está enrasado con el armario, puede cortar los separadores para que el frigorífico quede enrasado con el armario, pero no se puede garantizar una eficiencia energética óptima.

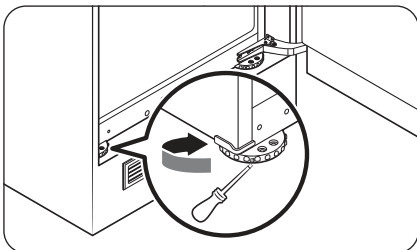
# Instalación

## PASO 4 Regulación de las patas de ajuste

### ⚠ PRECAUCIÓN

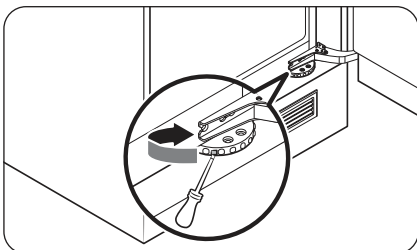
- El frigorífico debe estar nivelado sobre un suelo plano y sólido. De no hacerlo, puede causar daños al frigorífico o lesiones físicas.
- La nivelación debe hacerse con el frigorífico vacío. Asegúrese de que no quedan alimentos dentro del frigorífico.

El frigorífico puede nivelarse mediante el tornillo especial (nivelador) de las patas delanteras. Use un destornillador de punta plana para la nivelación.



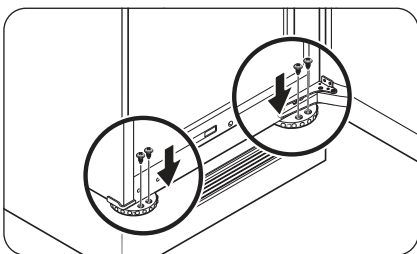
### Para ajustar la altura del lado izquierdo:

Introduzca un destornillador de punta plana en el nivelador de la pata delantera izquierda. Gire el nivelador en el sentido de las agujas del reloj para subir y en el sentido contrario al de las agujas del reloj para bajar.



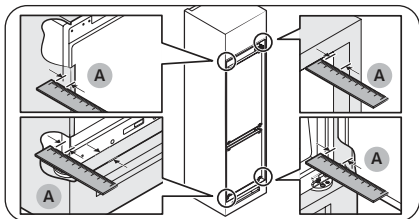
### Para ajustar la altura del lado derecho:

Introduzca un destornillador de punta plana en el nivelador de la pata delantera derecha. Gire el nivelador en el sentido de las agujas del reloj para subir y en el sentido contrario al de las agujas del reloj para bajar.



### 📖 NOTA

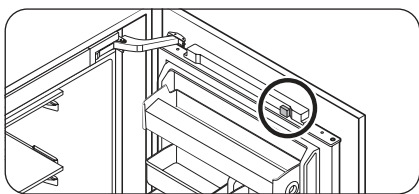
Asegúrese de garantizar un espacio de 41 mm (A: tanto para la bisagra deslizante como para la bisagra fija) entre el frigorífico y el armario o el hueco. A continuación, fije las patas delanteras con los tornillos.



### PASO 5 Configuración inicial

Siga estos pasos para que su refrigerador esté totalmente operativo.

1. Retire la espuma PE de cada esquina de los estantes, cuya función es proteger el refrigerador durante el transporte.
2. Abra la puerta y compruebe si se enciende la luz interior.



3. Retire la espuma de PE del imán de la parte superior de la puerta.

4. Ajuste el control a la temperatura más baja y espere alrededor de una hora. Entonces, el congelador se enfriará ligeramente y el motor funcionará sin problemas.
5. Espere hasta que el refrigerador alcance la temperatura ajustada. Ahora el refrigerador está a punto para funcionar.

#### **NOTA**

Cuando el refrigerador se enciende, suena la alarma. Para apagar la alarma, pulse **Freezer (Congelador)** o **Fridge (Refrigerador)**.

# Instalación

---

## PASO 6 Alarma de temperatura (solo modelos aplicables)

---

### Tipo 1

- El frigorífico parpadea «- -» en la pantalla de temperatura con una alarma si el congelador está demasiado caliente. Esto puede ocurrir si el congelador se calienta demasiado después de un corte de energía.
- Si esto ocurre, pulse **Freezer (Congelador)** o **Fridge (Frigorífico)**. La temperatura más cálida se muestra durante 5 segundos. A continuación, se muestra la temperatura real. Para desactivar la alarma, pulse **Door Alarm (Alarma de la puerta)**.

### Tipo 2

- El frigorífico hace parpadear el indicador de temperatura con una alarma si el congelador está demasiado caliente. Esto puede ocurrir si el congelador se calienta demasiado después de un corte de energía. Para desactivar la alarma, pulse **Freezer (Congelador)** o **Fridge (Frigorífico)**.

## PASO 7 Comprobación final

---

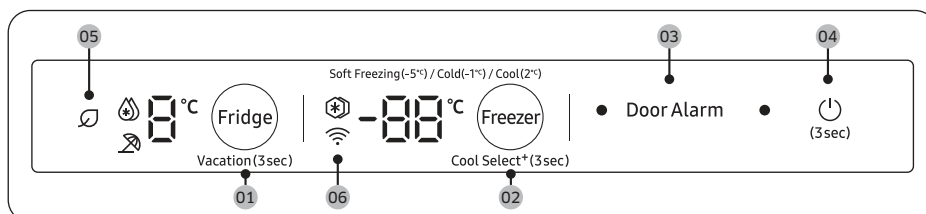
Una vez finalizada la instalación, compruebe que:

- El frigorífico está enchufado en una toma eléctrica y conectado correctamente a tierra.
- El frigorífico está instalado sobre una superficie plana y nivelada y separado razonablemente de la pared o del armario.
- El frigorífico está nivelado y se asienta firmemente sobre el mueble.
- La puerta se abre y cierra libremente, y la luz interior se enciende automáticamente al abrir la puerta.

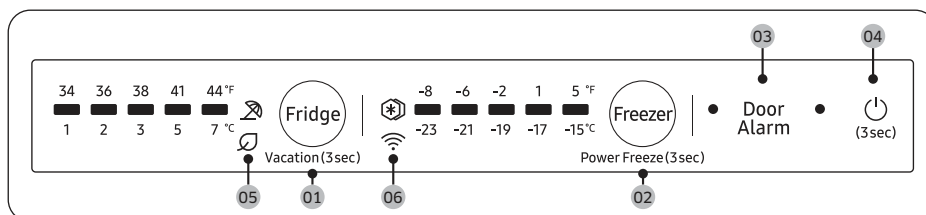
# Funcionamiento

## Panel principal

### TIPO 1



### TIPO 2



**01** Fridge (Frigorífico) / Vacation (Vacaciones)

**02** Freezer (Congelador) / Power Freeze (Congelación rápida) / Cool Select+ (Selección de enfriamiento+) \*

**03** Door Alarm (Alarma de la puerta)

**04** (Encendido)

**05** AI Energy Mode

**06** Conexión de red

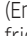


\* solo modelos aplicables

#### NOTA





Los indicadores led se encienden todos a la vez cuando la puerta está abierta, o se apagan todos a la vez cuando la puerta está cerrada.

# Funcionamiento

## 01 Frigorífico / Vacaciones (3 s)

|                       |  |
|-----------------------|--|
| Fridge (Frigorífico)  | <p>Para ajustar la temperatura del frigorífico, pulse <b>Fridge (Frigorífico)</b> para seleccionar la temperatura correspondiente. Puede modificar la temperatura entre 1 °C y 7 °C (por defecto: 3 °C).</p> <p><b>Enfriamiento rápido (Tipo 1)</b></p> <p>Power Cool (Enfriamiento rápido) acelera el proceso de enfriamiento con la velocidad máxima del ventilador. El frigorífico funciona a la máxima velocidad durante dos horas y media, y luego vuelve a la temperatura anterior.</p> <ul style="list-style-type: none"><li>• Para activar el Power Cool (Enfriamiento rápido), seleccione la temperatura 1 °C y, a continuación, pulse <b>Fridge (Frigorífico)</b> para seleccionar Power Cool (Enfriamiento rápido). El indicador correspondiente (  ) se ilumina y el frigorífico acelerará el proceso de enfriamiento para usted.</li><li>• Para desactivar el Power Cool (Enfriamiento rápido), vuelva a pulsar <b>Fridge (Frigorífico)</b>. A continuación, la temperatura del frigorífico volverá a ser de 7 °C.</li></ul> <p> <b>NOTA</b></p> <p>El uso de Power Cool (Enfriamiento rápido) aumenta el consumo de energía. Asegúrese de apagarlo y volver a la temperatura anterior si no tiene intención de utilizarlo.</p> |
| Vacation (Vacaciones) | <ul style="list-style-type: none"><li>• Si se va de vacaciones o de viaje de negocios, o si no piensa utilizar el frigorífico durante un periodo prolongado, use el modo Vacation (Vacaciones). La temperatura del frigorífico permanecerá por debajo de 17 °C, pero el congelador seguirá activo con la configuración anterior.</li><li>• Para activar o desactivar el modo de Vacation (Vacaciones), mantenga pulsado <b>Fridge (Frigorífico)</b> durante 3 segundos.</li></ul> <p> <b>NOTA</b></p> <ul style="list-style-type: none"><li>• Asegúrese de retirar los alimentos del compartimento del frigorífico antes de utilizar el modo Vacation (Vacaciones).</li><li>• El modo Vacation (Vacaciones) se desactivará si ajusta la temperatura.</li></ul>  |

## 02 Congelador / Congelación rápida (3 s) / Selección de enfriamiento+ (3 s)

|                                      |  |
|--------------------------------------|--|
| Freezer<br>(Congelador)              | <p>Con el botón <b>Freezer (Congelador)</b> se puede ajustar la temperatura del congelador. Las temperaturas disponibles están entre -15 °C y -23 °C (por defecto: -19 °C).</p> <p> <b>NOTA</b></p> <p>No se puede cambiar la temperatura en el modo Cool Select+ (Selección de enfriamiento+).</p>   |
| Power Freeze<br>(Congelación rápida) | <p>Power Freeze (Congelación rápida) acelera el proceso de congelación con la velocidad máxima del ventilador. El congelador funciona a la máxima velocidad durante 50 horas y luego vuelve a la temperatura anterior. Para congelar grandes cantidades de alimentos, active Power Freeze (Congelación rápida) al menos 20 horas antes de guardar alimentos en el congelador.</p> <p><b>Tipo 1</b></p> <ul style="list-style-type: none"><li>• Para activar Power Freeze (Congelación rápida), seleccione la temperatura -23 °C y, a continuación, pulse <b>Freezer (Congelador)</b> para seleccionar Power Freeze (Congelación rápida).<br/>El indicador correspondiente (  ) se ilumina y el frigorífico acelerará el proceso de congelación para usted.</li><li>• Cuando el proceso de Power Freeze (Congelación rápida) finaliza, el indicador correspondiente se apaga y el congelador vuelve al ajuste de temperatura anterior.</li><li>• Para desactivar Power Freeze (Congelación rápida), vuelva a pulsar <b>Freezer (Congelador)</b>.<br/>El congelador vuelve al ajuste de temperatura anterior.</li></ul> <p><b>Tipo 2</b></p> <ul style="list-style-type: none"><li>• Para activar Power Freeze (Congelación rápida), mantenga pulsado <b>Freezer (Congelador)</b> durante 3 segundos para seleccionar Power Freeze (Congelación rápida).<br/>El indicador correspondiente (  ) se ilumina y el frigorífico acelerará el proceso de congelación para usted.</li><li>• Para desactivar Power Freeze (Congelación rápida), vuelva a mantener pulsado <b>Freezer (Congelador)</b> durante 3 segundos.<br/>El congelador vuelve al ajuste de temperatura anterior y el indicador se apaga.</li></ul> <p> <b>NOTA</b></p> <p>El uso de Power Freeze (Congelación rápida) aumenta el consumo de energía. Asegúrese de apagarlo y volver a la temperatura anterior si no tiene intención de utilizarlo.</p> |


# Funcionamiento


|   |  |
|---|--|
| <p>Cool Select+ (Selección de enfriamiento+) (Tipo 1)</p> | <p>Cada vez que se mantiene pulsado <b>Cool Select+ (Selección de enfriamiento+)</b> durante 3 segundos, el modo de funcionamiento cambia en esta secuencia: Freeze (Congelación) → Soft Freezing (Congelación suave) (-5 °C) → Cold (Frio) (-1 °C) → Cool (Fresco) (2 °C)</p> <p><b>⚠ PRECAUCIÓN</b></p> <ul style="list-style-type: none"><li>• Si cambia el modo de Freezer (Congelador) a Cool Select+ (Selección de enfriamiento+), los alimentos almacenados pueden perder jugo o líquido de los mismos.</li><li>• No almacene carne o pescado durante un tiempo prolongado en el modo Cool Select+ (Selección de enfriamiento+). Los alimentos pueden congelarse o estropearse debido a los ajustes de temperatura inadecuados para los alimentos almacenados.</li><li>• Si el frigorífico recupera la energía tras un tiempo prolongado de inactividad, los ajustes de Cool Select+ (Selección de enfriamiento+) pueden restablecerse a los valores predeterminados de fábrica. Compruebe los ajustes de Cool Select+ (Selección de enfriamiento+) antes de utilizar el frigorífico.</li></ul> |
|---|--|

## 03 Alarma de la puerta

|   |  |
|---|--|
| <p>Door Alarm (Alarma de la puerta)</p> | <p>Puede programar la alarma para que sea un recordatorio. Si la puerta se deja abierta durante más de 2 minutos, la alarma sonará con el indicador de alarma parpadeando.</p> <p>Puede activar y desactivar la alarma pulsando <b>Door Alarm (Alarma de la puerta)</b>.</p> |
|---|--|

## 04 (Encendido)

Para encender el frigorífico, mantenga pulsado  durante 3 segundos.

Si vuelve a mantener pulsado  durante 3 segundos, el frigorífico se apaga y las lámparas del interior también se apagan.

## 05 AI Energy Mode (solo modelos aplicables)

El icono  aparece cuando el AI Energy Mode está funcionando. Puede activar o desactivar el AI Energy Mode en la aplicación SmartThings. (solo modelos aplicables)



## 06 Conexión de red (solo modelos aplicables)

Puede controlar y supervisar su frigorífico a través de la aplicación SmartThings. Para obtener más información, consulte la sección **SmartThings (solo modelos aplicables)**.

### **NOTA**

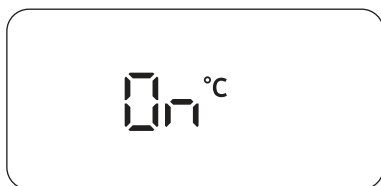
Si el frigorífico no está conectado a la aplicación SmartThings, el icono del wifi (📶) parpadea para avisarle. Si ve el icono del wifi (📶) parpadeando, le recomendamos que conecte su frigorífico a la aplicación SmartThings.

### Activar o desactivar la conexión wifi (solo modelos aplicables)

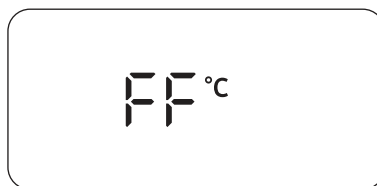
#### Tipo 1

Para activar o desactivar la conexión wifi, toque y mantenga pulsado **Fridge (Frigorífico)** durante 10 segundos. La pantalla muestra el estado de la conexión wifi durante 5 segundos (tal como se muestra en la imagen).

Wifi activada



Wifi desactivada



#### Tipo 2

Para activar o desactivar la conexión wifi, mantenga pulsado **Fridge (Frigorífico)** durante 10 segundos. El icono de la wifi (📶) muestra el estado de la conexión wifi como se muestra a continuación.

- Wifi desactivada: El icono de la wifi (📶) parpadea durante 5 segundos y luego se apaga.
- Wifi activada: El icono de la wifi (📶) parpadea durante 5 segundos y luego se enciende durante 5 segundos.

### **NOTA**

- Cuando configure la conexión wifi para conectar el refrigerador a la aplicación SmartThings, las funciones wifi activada/desactivada se encienden.
- Para obtener más información, consulte la sección **SmartThings (solo modelos aplicables)**.

# Funcionamiento

---

## SmartThings (solo modelos aplicables)

---

### Instalación

Visite Google Play Store, Galaxy Apps o Apple App Store y busque «SmartThings». Descargue e instale en su dispositivo inteligente la aplicación SmartThings proporcionada por Samsung Electronics.

#### NOTA

- La versión de software compatible de la aplicación SmartThings está sujeta a cambios de conformidad con la política de compatibilidad del sistema operativo que proporciona el fabricante. Además, en cuanto a la aplicación SmartThings o a las funciones que admite la aplicación, la nueva política de actualización de la aplicación en la versión existente del sistema operativo se puede suspender debido a razones de uso o seguridad.
- La aplicación SmartThings está sujeta a cambios sin previo aviso para mejorar la facilidad de uso o el rendimiento. Como la versión del sistema operativo del teléfono móvil se actualiza cada año, SmartThings también se actualiza continuamente de acuerdo con el último sistema operativo. Si tiene alguna pregunta sobre los elementos mencionados anteriormente, póngase en contacto con nosotros en [st.service@samsung.com](mailto:st.service@samsung.com)
- Entre los sistemas de cifrado recomendados se incluyen WPA/TKIP y WPA2/AES. El resto de protocolos de autenticación wifi no estándares o más recientes no son compatibles.
- Las redes inalámbricas pueden resultar afectadas por los entornos de comunicación inalámbrica que las rodean.
- Si su proveedor de servicios de Internet ha registrado la dirección MAC de su PC o módem para identificación, su Samsung Smart Refrigerator puede fallar al conectarse a Internet. En este caso, póngase en contacto con su proveedor de servicios de Internet para recibir asistencia técnica.
- La configuración de firewall de su sistema de red puede impedir que su Samsung Smart Refrigerator acceda a Internet. Póngase en contacto con su proveedor de servicios de Internet para recibir asistencia técnica. Si el síntoma continúa, póngase en contacto con un centro de servicio local de Samsung o con el establecimiento de compra.
- Para configurar los ajustes del punto de acceso (PA) inalámbrico, consulte el manual de usuario del PA (enrutador).
- Los Samsung Smart Refrigerators admiten tanto los protocolos de wifi 2.4 GHz con IEEE 802.11 b/g/n como Soft-AP. (Se recomienda IEEE 802.11 n).
- Es posible que los enrutadores inalámbricos wifi no autorizados no logren conectarse a los frigoríficos inteligentes Samsung correspondientes.

---

## Cuenta de Samsung

Para usar la aplicación, se le pedirá que registre su cuenta de Samsung. Si no tiene una cuenta de Samsung, siga las instrucciones en pantalla de la aplicación para crear una cuenta de Samsung gratuita.

## Introducción

Encienda el dispositivo que desea conectar, abra la aplicación SmartThings en su teléfono y siga las instrucciones que se indican a continuación.

Si aparece un mensaje de nuevo dispositivo encontrado, pulse **ADD NOW (AÑADIR AHORA)**.

Si no aparece ningún mensaje, pulse el botón **+** y seleccione el dispositivo que desea conectar de la lista de dispositivos disponibles.

Si su dispositivo no aparece en la lista de dispositivos disponibles, pulse **Supported Devices (Dispositivos admitidos)**, seleccione el tipo de dispositivo (Frigorífico) y seleccione el modelo de dispositivo específico.

Siga las instrucciones de la aplicación para configurar su dispositivo. Una vez finalizada la configuración, su frigorífico aparecerá como una «tarjeta» en su pantalla de **Devices (Dispositivos)**.

## Control integrado


Puede controlar y supervisar su frigorífico desde casa y desde fuera de ella.

- Pulse el icono de frigorífico en el Panel de SmartThings o el icono de Dispositivos en la parte inferior del Panel y, a continuación, pulse la «tarjeta» del frigorífico para abrir la página del Frigorífico.
- Revise el estado de funcionamiento o las notificaciones relativas a su frigorífico y, a continuación, cambie las opciones o los ajustes si es necesario.

### **NOTA**

Es posible que algunas opciones o ajustes del frigorífico no estén disponibles para el control remoto.

# Funcionamiento

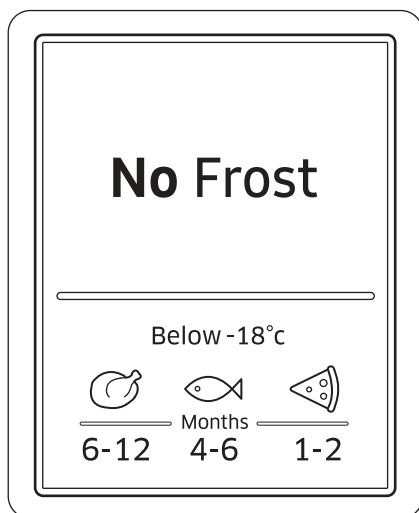
| Categoría                                | Elemento                                      | Descripción  |
|--|---|--|
| Supervisión                              | Temperatura del frigorífico                   | Muestra el ajuste de temperatura actual del frigorífico.   |
|  | Temperatura del congelador                    | Muestra el ajuste de temperatura actual del congelador.  |
| Funciones                                | Enfriamiento rápido (solo modelos aplicables) | Puede activar o desactivar el enfriamiento rápido y comprobar los ajustes actuales.  |
|  | Congelación rápida                            | Puede activar o desactivar la congelación rápida y comprobar los ajustes actuales.   |
|  | Temperatura del frigorífico                   | Puede ajustar la temperatura deseada del frigorífico.  |
|  | Temperatura del congelador                    | Puede ajustar la temperatura deseada del congelador.   |
| Alarmas                                  | Temperatura excepcionalmente alta             | Esta alarma se activa cuando la temperatura del frigorífico o del congelador es excepcionalmente elevada.  |
|  | Puerta abierta                                | Esta alarma se activa si la puerta queda abierta durante más de 2 minutos.   |
| AI Energy Mode (solo modelos aplicables) |   | Puede activar o desactivar el AI Energy Mode en el menú Energy de la aplicación SmartThings.<br>Puede verificar el estado del AI Energy Mode en la aplicación SmartThings.<br>En algunos modelos, el icono  aparece en el panel principal para indicar que el AI Energy Mode está funcionando. (solo modelos aplicables)<br>Al activar el AI Energy Mode, se reduce el consumo de energía, pero también se puede reducir el rendimiento de refrigeración. |

## Información de actualizaciones de seguridad

Se proporcionan actualizaciones de seguridad para fortalecer la seguridad de su dispositivo y proteger su información personal. Para obtener información sobre actualizaciones de seguridad, visite <https://security.samsungda.com>.

\* El sitio web solo admite algunos idiomas.

## Información sobre el almacenamiento



Los números marcados en la parte inferior de esta figura indican el período de almacenamiento del alimento inmediatamente anterior. Por ejemplo, 4-6 meses para el pescado.

### Para congelar alimentos

1. Envuelva el alimento de forma hermética con materiales de envoltura adecuados.
2. Selle el envoltorio.
3. Etiquete el envoltorio con el contenido y la fecha.

### Materiales de envoltura

- Materiales adecuados para envolver alimentos: film de plástico, film de polietileno por soplado, papel de aluminio y recipientes de congelación.
- Materiales no aptos para envolver alimentos: papel de embalar, papel antigrasa, celofán, bolsas de basura para alimentos y bolsas de la compra usadas.

### Materiales de sellado

Gomas elásticas, clips de plástico, cuerdas, cinta adhesiva resistente al frío o similares. Las bolsas y el film de polietileno por soplado pueden sellarse con una selladora de film.

# Funcionamiento

---

## Período de almacenamiento de los alimentos congelados

El período de almacenamiento difiere según los tipos de alimentos y las temperaturas de almacenamiento. La siguiente especificación se basa en una temperatura de  $-18\text{ }^{\circ}\text{C}$  ( $0\text{ }^{\circ}\text{F}$ ):

- Aves frescas (pollos enteros), carne fresca (filetes, asados): hasta 12 meses
- Pescado (pescado magro, pescado cocido), gambas frescas, vieiras, calamares: hasta 6 meses
- Pizza, salchichas: hasta 2 meses

### NOTA

Para más información, visite la página web de la FDA (<http://www.fda.gov/>).

## Descongelación

Los alimentos congelados pueden descongelarse de las siguientes maneras:

- De forma natural a temperatura ambiente
- De forma natural en el frigorífico
- Utilizando un horno eléctrico con o sin soporte de calor
- Utilizando un horno microondas

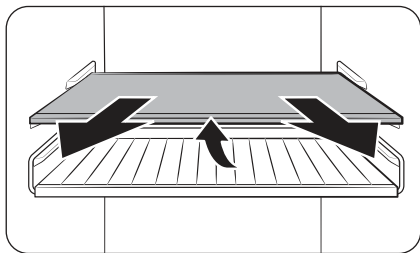
### NOTA

- No vuelva a congelar alimentos que han sido descongelados. Es posible que algunas partes de los alimentos no se congelen por completo.
- No almacene los alimentos congelados durante más tiempo que el período máximo de almacenamiento.

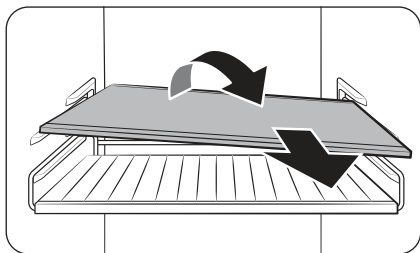
# Mantenimiento

## Manipulación y cuidado

### Estantes (frigorífico/congelador) / Estante para vino (solo en los modelos aplicables)



1. Extraiga un poco el estante (o el estante para vino). Después, mientras levanta la parte posterior, tire hacia fuera.

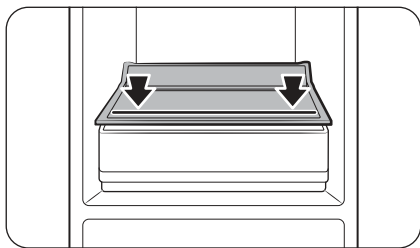


2. Gire el estante (o el estante para vino) en diagonal para retirarlo.

#### ⚠ PRECAUCIÓN

- El estante debe insertarse correctamente. No lo instale boca abajo.
- Los contenedores de vidrio pueden rayar la superficie de los estantes de vidrio.
- No introduzca un estante en la posición del estante para vino. Podría dañar el refrigerador. (solo modelos aplicables)

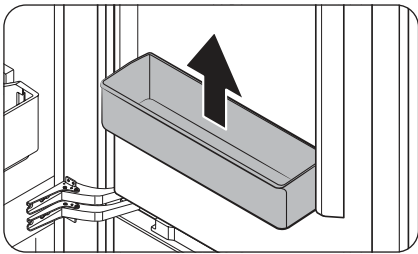
### Estante para verduras (solo modelos aplicables)



- Si su modelo tiene un solo cajón en el refrigerador, el estante para verduras, justo encima del cajón, tiene una línea impresa. Cuando almacene artículos en el estante para verduras, asegúrese de colocarlos dentro de la línea impresa.

# Mantenimiento

## Compartimento de la puerta del frigorífico / Compartimento de la puerta para productos variados

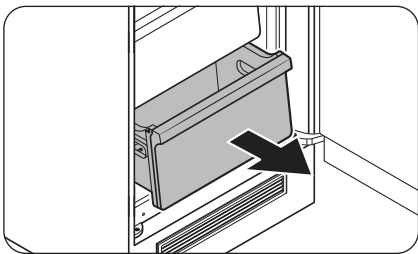


Sujete el compartimento de la puerta con ambas manos y luego levántelo para retirarlo.

### **⚠ PRECAUCIÓN**

Para prevenir accidentes, vacíe los compartimentos de la puerta antes de retirarlos.

## Cajón del frigorífico/Cajón del congelador



Levante con cuidado la parte frontal del cajón y deslícelo hacia afuera.



---

## Limpieza

---

### Interior y exterior

#### ADVERTENCIA

- No limpie con benceno, disolvente, vinagre, lejía líquida, bicarbonato sódico, cítricos, mezclas de sal o detergentes para hogar/automóvil como Clorox™. Podría dañar la superficie del frigorífico y provocar un incendio.
- No rocíe agua sobre el frigorífico. Se podría producir una descarga eléctrica.

Utilice regularmente un paño seco para limpiar cualquier sustancia extraña, como polvo o agua, de los terminales del enchufe y los puntos de contacto.

1. Desenchufe el cable de alimentación.
2. Utilice un paño suave y sin pelusa o una toalla de papel humedecidos para limpiar el interior y el exterior del frigorífico.
3. A continuación, seque bien con un paño o una toalla de papel secos.
4. Enchufe el cable de alimentación.

## Recambio

---

### Lámparas LED

Para reemplazar las lámparas del frigorífico, póngase en contacto con un centro local de servicio técnico de Samsung.

#### ADVERTENCIA

- El usuario no debe reemplazar las lámparas. No intente sustituir una lámpara usted mismo. Se puede producir una descarga eléctrica.

### Lámpara (fuente de luz)

Este producto contiene una fuente luminosa de la clase de eficiencia energética <G>.

La(s) lámpara(s) o los auxiliares eléctricos no son reparables por parte del usuario. Para sustituir la(s) lámpara(s) o los auxiliares eléctricos del producto, póngase en contacto con un centro local de servicio técnico de Samsung.

Para obtener instrucciones detalladas sobre la sustitución de la(s) lámpara(s) o los auxiliares eléctricos de su producto, visite el sitio web de Samsung (<http://www.samsung.com>), vaya a Support > Support home (Soporte > Página de inicio de soporte), y luego introduzca el nombre del modelo.

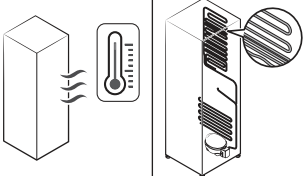
Para obtener instrucciones detalladas sobre el desmantelamiento de la(s) lámpara(s) o los auxiliares eléctricos, simplemente siga las instrucciones de sustitución, tal y como se ha descrito anteriormente.

# Solución de problemas

Antes de llamar al servicio técnico revise los siguientes puntos de comprobación. Las llamadas de servicio para situaciones normales (cuando no existe ningún defecto) se cobrarán a los usuarios.

## General

### Temperatura

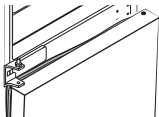
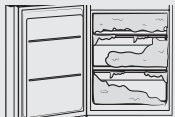
| Síntoma   | Posibles causas   | Solución   |
|---|---|--|
| <p>El frigorífico/ congelador no funciona.</p> <p>La temperatura del frigorífico/congelador es elevada.</p> | <ul style="list-style-type: none"> <li>El cable de alimentación no está bien enchufado.</li> </ul>  | <ul style="list-style-type: none"> <li>Enchufe correctamente el cable de alimentación.</li> </ul>  |
|   | <ul style="list-style-type: none"> <li>El control de temperatura no está configurado correctamente.</li> </ul>  | <ul style="list-style-type: none"> <li>Configure una temperatura más baja.</li> </ul>  |
|   | <ul style="list-style-type: none"> <li>El frigorífico está instalado cerca de una fuente de calor o expuesto a la luz solar directa.</li> </ul>           | <ul style="list-style-type: none"> <li>Mantenga el frigorífico alejado de la luz directa del sol y de las fuentes de calor.</li> </ul>   |
|   | <ul style="list-style-type: none"> <li>No hay suficiente espacio entre el frigorífico y las paredes laterales o posterior.</li> </ul>                     | <ul style="list-style-type: none"> <li>Asegúrese de garantizar al menos 7 mm de espacio de las paredes traseras y laterales del armario.</li> </ul>  |
|   | <ul style="list-style-type: none"> <li>El modo Vacation (Vacaciones) está activado.</li> </ul>  | <ul style="list-style-type: none"> <li>Desactive el modo Vacation (Vacaciones).</li> </ul>   |
|   | <ul style="list-style-type: none"> <li>El frigorífico está demasiado lleno. Los alimentos bloquean las salidas de ventilación del frigorífico.</li> </ul> | <ul style="list-style-type: none"> <li>No sobrecargue el frigorífico. Evite que los alimentos bloqueen las salidas de ventilación.</li> </ul>  |
| <p>El frigorífico/ congelador enfría demasiado.</p>   | <ul style="list-style-type: none"> <li>El control de temperatura no está configurado correctamente.</li> </ul>  | <ul style="list-style-type: none"> <li>Configure una temperatura más alta.</li> </ul>  |
| <p>La pared interior está caliente.</p>   | <ul style="list-style-type: none"> <li>El frigorífico cuenta con tuberías a prueba de calor en la pared interior.</li> </ul>                              | <p>Para evitar que se genere condensación, el frigorífico cuenta con tuberías a prueba de calor en las esquinas frontales. Si la temperatura ambiental aumenta, es posible que este sistema no funcione correctamente. No se trata de un fallo del sistema.</p>  |

## Olores

| Síntoma               | Posibles causas   | Solución   |
|-----------------------|---|--|
| El frigorífico huele. | <ul style="list-style-type: none"> <li>Alimentos en mal estado.</li> </ul>      | <ul style="list-style-type: none"> <li>Limpie el frigorífico y elimine los alimentos en mal estado.</li> </ul>                               |
|                       | <ul style="list-style-type: none"> <li>Alimentos con olores fuertes.</li> </ul> | <ul style="list-style-type: none"> <li>Asegúrese de que los alimentos que despiden un olor fuerte están envueltos herméticamente.</li> </ul> |

## Escarcha

| Síntoma  | Posibles causas  | Solución  |
|--|--|---|
| Escarcha alrededor de las salidas de ventilación.    | <ul style="list-style-type: none"> <li>Los alimentos bloquean las salidas de ventilación.</li> </ul>   | <ul style="list-style-type: none"> <li>Asegúrese de que no hay alimentos bloqueando las salidas de ventilación.</li> </ul>              |
| Escarcha en las paredes interiores.                  | <ul style="list-style-type: none"> <li>La puerta no está bien cerrada.</li> </ul>  | <ul style="list-style-type: none"> <li>Asegúrese de que no hay alimentos bloqueando la puerta. Limpie la junta de la puerta.</li> </ul> |
| Las frutas o verduras se congelan.                   | <ul style="list-style-type: none"> <li>Las frutas o verduras se almacenan en la Zona Fresca/Chef.</li> </ul>   | <ul style="list-style-type: none"> <li>La Zona Fresca/Chef es solo para carne/pescado.</li> </ul>                                       |
| Se ha acumulado demasiada escarcha en el congelador. | <ul style="list-style-type: none"> <li>La puerta no sella correctamente porque su junta no se ha invertido después de invertir las puertas.</li> </ul> | <ul style="list-style-type: none"> <li>Separe la junta de la puerta y colóquela después de girarla 180°.</li> </ul>                     |



# Solución de problemas

---

## Condensación

| Síntoma  | Posibles causas  | Solución   |
|--|--|--|
| Se forma condensación en las paredes interiores. | <ul style="list-style-type: none"><li>• Si se deja la puerta abierta, entra humedad en el frigorífico.</li></ul> | <ul style="list-style-type: none"><li>• Retire la humedad y no abra la puerta durante un tiempo.</li></ul>       |
|  | <ul style="list-style-type: none"><li>• Alimentos con elevado contenido de humedad.</li></ul>                    | <ul style="list-style-type: none"><li>• Asegúrese de que los alimentos están envueltos herméticamente.</li></ul> |

## Alarma

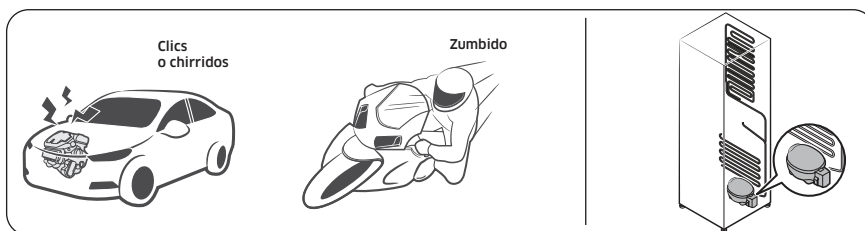
| Síntoma           | Posibles causas  | Solución   |
|-------------------|--|--|
| Suena una alarma. | <ul style="list-style-type: none"><li>• Si la puerta se deja abierta durante más de dos minutos, la alarma sonará hasta que la puerta se haya cerrado.</li></ul> | <ul style="list-style-type: none"><li>• Pulse cualquier botón para apagar la alarma. Póngase en contacto con un centro de servicio técnico local de Samsung si la alarma vuelve a sonar después de 12 horas.</li></ul> |

## ¿Se oyen ruidos anómalos procedentes del frigorífico?

Antes de llamar al servicio técnico revise los siguientes puntos de comprobación. Las llamadas de servicio relacionadas con ruidos anómalos se cobrarán a los usuarios.

**Estos ruidos son normales.**

- Al principio o al final de una operación, el frigorífico puede hacer unos ruidos similares al encendido del motor de un coche. Cuando la operación se estabiliza, el ruido disminuye.



- Quando el ventilador está en funcionamiento puede producir algunos ruidos. Cuando el frigorífico alcanza la temperatura establecida, el ventilador deja de hacer ruido.

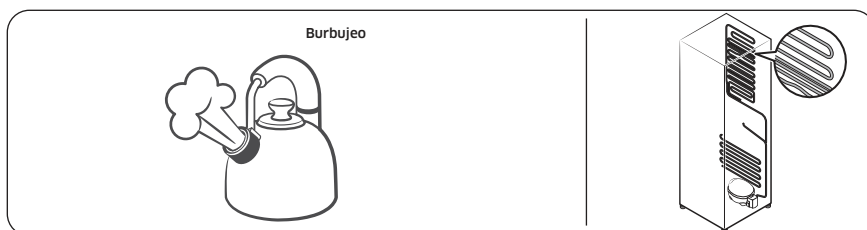


- Durante un ciclo de descongelación, pueden caer gotas de agua sobre el calefactor y producir como un burbujeo.

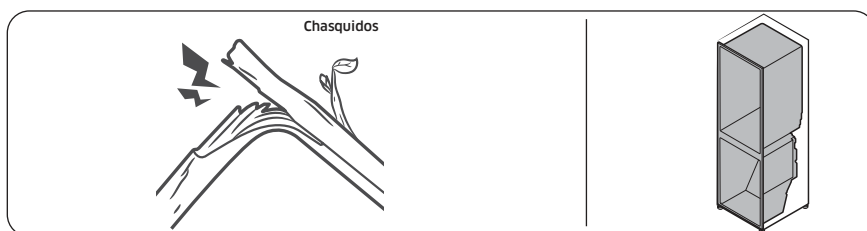


## Solución de problemas

- Cuando el frigorífico enfría o congela, el gas refrigerante circula por las tuberías selladas y produce un ruido de borboteo.



- Cuando la temperatura del frigorífico aumenta o disminuye, las partes de plástico se contraen y se expanden y producen ruidos de golpeteo. Dichos ruidos se producen durante el ciclo de descongelación o cuando funcionan las piezas electrónicas.



- Para modelos con máquina de hielo: Cuando la válvula de agua se abre para llenar la máquina de hielo, pueden emitirse unos zumbidos.
- Debido a la equalización de la presión cuando se abre y cierra la puerta del frigorífico, pueden producirse sonidos silbantes.

## SmartThings (solo modelos aplicables)

| Síntoma  | Acción   |
|--|--|
| No se encuentra «SmartThings» en el mercado de aplicaciones.                               | <ul style="list-style-type: none"> <li>La versión de software compatible de la aplicación SmartThings está sujeta a cambios de conformidad con la política de compatibilidad del sistema operativo que proporciona el fabricante. Además, en cuanto a la aplicación SmartThings o a las funciones que admite la aplicación, la nueva política de actualización de la aplicación en la versión existente del sistema operativo se puede suspender debido a razones de uso o seguridad.</li> </ul> |
| La aplicación SmartThings no funciona.   | <ul style="list-style-type: none"> <li>La aplicación SmartThings solo está disponible para los modelos aplicables.</li> <li>La antigua aplicación Samsung Smart Refrigerator no se puede conectar con los modelos Samsung Smart Home.</li> </ul>   |
| La aplicación SmartThings está instalada pero no está conectada a mi frigorífico.          | <ul style="list-style-type: none"> <li>Para usar la aplicación debe iniciar sesión en su cuenta de Samsung.</li> <li>Asegúrese de que el enrutador funciona adecuadamente.</li> <li>Si el icono de la wifi en la pantalla del frigorífico está apagado, esto indica que todavía no se ha establecido ninguna conexión de red. En este caso, utilice la aplicación SmartThings para conectar y registrar su frigorífico al punto de acceso (PA) de su hogar.</li> </ul>                           |
| No puedo iniciar sesión en la aplicación.  | <ul style="list-style-type: none"> <li>Para usar la aplicación debe iniciar sesión en su cuenta de Samsung.</li> <li>Si no tiene una cuenta de Samsung, siga las instrucciones en pantalla de la aplicación para crear una.</li> </ul>   |
| Se muestra un mensaje de error cuando intento registrar el frigorífico.                    | <ul style="list-style-type: none"> <li>La Easy Connection puede fallar debido a la distancia con el punto de acceso (PA) o por interferencias eléctricas del entorno. Espere un momento y vuelva a intentarlo.</li> </ul>  |
| La aplicación SmartThings se ha conectado correctamente al refrigerador, pero no funciona. | <ul style="list-style-type: none"> <li>Salga y reinicie la aplicación SmartThings, o desconecte y vuelva a conectar el enrutador.</li> <li>Desenchufe el frigorífico y vuelva a enchufarlo al cabo de 1 minuto.</li> </ul>   |
| El icono de la wifi parpadea. (📶)  | <ul style="list-style-type: none"> <li>Conecte su frigorífico con la aplicación SmartThings antes de utilizar. Cuando la conexión se establece correctamente, el indicador para de parpadear. <ul style="list-style-type: none"> <li>Si no logra establecer la conexión o si no desea usar la aplicación, mantenga pulsado el botón <b>Fridge (Frigorífico)</b> durante 10 segundos. El indicador deja de parpadear.</li> </ul> </li> </ul>  |

# Apéndice

## Instrucciones de seguridad

- Para un uso más eficiente de la energía, mantenga todos los accesorios internos, como cestas, cajones, estantes y bandejas de cubitos de hielo, en la posición en la que los entrega el fabricante.

## Instrucciones de instalación

### Para los aparatos frigoríficos con clase climática

Según la clase climática, este aparato frigorífico está diseñado para utilizarse en el rango de temperaturas ambiente como se especifica en la tabla siguiente.

La clase climática se encuentra en la placa de características. Es posible que el producto no funcione correctamente a temperaturas fuera del rango específico.

Puede encontrar la clase climática en la etiqueta del interior de su frigorífico

### Rango de temperatura efectiva

Este frigorífico está diseñado para funcionar normalmente en el rango de temperatura especificado por su categoría de calificación.

| Clase               | Símbolo | Rango de temperatura ambiente (°C) |           |
|---------------------|---------|------------------------------------|-----------|
|                     |         | IEC 62552 (ISO 15502)              | ISO 8561  |
| Templado prolongado | SN      | +10 a +32                          | +10 a +32 |
| Templado            | N       | +16 a +32                          | +16 a +32 |
| Subtropical         | ST      | +16 a +38                          | +18 a +38 |
| Tropical            | T       | +16 a +43                          | +18 a +43 |

### NOTA

La capacidad de enfriamiento y el consumo de energía del frigorífico pueden verse afectados por la temperatura ambiente, la frecuencia con que se abre la puerta y la ubicación del electrodoméstico. Se recomienda ajustar las configuraciones de la temperatura según sea apropiado.



## Instrucciones sobre la temperatura

### Temperatura recomendada

Ajuste perfecto de temperatura para el almacenamiento de alimentos:

- Fridge (Frigorífico): 3 °C
- Freezer (Congelador): -19 °C

#### **NOTA**

El ajuste de temperatura óptimo de cada compartimento depende de la temperatura ambiente. Por encima de la temperatura ambiente se basa en la temperatura ambiente de 25 °C.

### Enfriamiento rápido

Enfriamiento rápido acelera el proceso de enfriamiento con la velocidad máxima del ventilador. El frigorífico funciona a la máxima velocidad durante dos horas y media, y luego vuelve a la temperatura anterior.

### Congelación rápida

Congelación rápida acelera el proceso de congelación a su máxima velocidad. El congelador funciona a la máxima velocidad durante 50 horas y luego vuelve a la temperatura anterior. Para congelar grandes cantidades de alimentos, active Congelación rápida al menos 20 horas antes de guardar alimentos en el congelador.

#### **NOTA**

El uso de esta función aumenta el consumo energético del frigorífico. No se olvide de desactivarla cuando no la utilice y restablezca el ajuste de temperatura original del congelador.

### Cómo almacenar para una mejor conservación (solo modelos aplicables)

Tape los alimentos para que retengan la humedad y para evitar que adquieran olores de otros alimentos. Los grandes recipientes de comida como sopas o guisos deben dividirse en porciones menores y colocarse en recipientes menos profundos antes de refrigerarse. Los cortes grandes de carne o las aves enteras deben dividirse en trozos más pequeños y colocarse en recipientes menos profundos antes de refrigerarse.

#### Colocación de los alimentos

|   |  |
|---|--|
| Estantes  | Los estantes deben poder ajustarse para almacenar diferentes envases.  |
| Compartimento especializado (solo modelos aplicables) | Los cajones sellados son el ambiente perfecto para almacenar frutas y verduras. Las verduras necesitan condiciones de mayor humedad, mientras que las frutas necesitan condiciones de menor humedad. Los cajones de verduras están equipados con dispositivos de control que controlan el nivel de humedad. (*En función del modelo y opciones) Un cajón para carne con temperatura regulable maximiza el tiempo de almacenamiento de carnes y quesos. |

# Apéndice

|                              |   |
|------------------------------|---|
| Almacenamiento en la puerta  | No almacene alimentos perecederos en la puerta. Los huevos deben almacenarse en el cartón o en una estante. La temperatura en los compartimentos de almacenamiento de la puerta fluctúa más que la temperatura del armario. Mantenga la puerta cerrada el mayor tiempo posible. |
| Compartimento del congelador | En el compartimento del congelador puede almacenar comida congelada, hacer cubos de hielo y congelar comida fresca.   |

## **NOTA**

Congele únicamente alimentos frescos y en buen estado. Mantenga separados los alimentos que vaya a congelar y los ya congelados. Para que los alimentos no pierdan su aroma ni se sequen, colóquelos en recipientes herméticos.

### Cuadro de almacenamiento del frigorífico y el congelador

La duración en que los alimentos permanecen frescos depende de la temperatura y de la exposición a la humedad. Puesto que las fechas en los productos no son una guía para su consumo seguro, consulte este cuadro y siga estos consejos.

#### Productos lácteos

| Producto         | Frigorífico | Congelador     |
|------------------|-------------|----------------|
| Leche            | 1 semana    | 1 mes          |
| Mantequilla      | 2 semanas   | 12 meses       |
| Helado           | -           | 2-3 semanas    |
| Queso natural    | 1 mes       | 4-6 meses      |
| Queso para untar | 2 semanas   | No recomendado |
| Yogur            | 1 mes       | -              |

#### Carne

| Producto  | Frigorífico | Congelador |
|---|-------------|------------|
| Chuletas, filetes y asados frescos              | 3-4 días    | 2-3 meses  |
| Carne picada fresca y carne para guisar         | 1-2 días    | 3-4 meses  |
| Panceta   | 7 días      | 1 mes      |
| Salchichas, carne cruda de cerdo, ternera, pavo | 1-2 días    | 1-2 meses  |

### Aves / Huevos

| Producto                   | Frigorífico | Congelador     |
|----------------------------|-------------|----------------|
| Aves frescas               | 2 días      | 6-8 meses      |
| Ensalada de pollo          | 1 día       | -              |
| Huevos, frescos en estante | 2-4 semanas | No recomendado |

### Pescado / Marisco

| Producto                    | Frigorífico | Congelador     |
|-----------------------------|-------------|----------------|
| Pescado fresco              | 1-2 días    | 3-6 meses      |
| Pescado cocinado            | 3-4 días    | 1 mes          |
| Ensalada de pescado         | 1 día       | No recomendado |
| Pescado seco o en escabeche | 3-4 semanas | -              |

### Fruta

| Producto          | Frigorífico | Congelador |
|-------------------|-------------|------------|
| Manzanas          | 1 mes       | -          |
| Melocotones       | 2-3 semanas | -          |
| Piña              | 1 semana    | -          |
| Otra fruta fresca | 3-5 días    | 9-12 meses |

### Verduras

| Producto                                     | Frigorífico | Congelador |
|--|-------------|------------|
| Espárragos                                   | 2-3 días    | -          |
| Brócoli, coles de Bruselas, guisantes, setas | 3-5 días    | -          |
| Repollo, coliflor, apio, pepino, lechuga     | 1 semana    | -          |
| Zanahoria, remolacha, rábano                 | 2 semanas   | -          |

# Apéndice

---

## Información para el modelo y el pedido de piezas de repuesto

---

### Información del modelo

Para acceder a la información del etiquetado energético de este producto en el registro europeo de productos para el etiquetado energético (EPREL), escanee el código QR que figura en la etiqueta energética. Encontrará el código QR en la etiqueta energética incluida en la caja del producto.

### Información sobre las piezas

- El período mínimo durante el cual se dispone de las piezas de repuesto necesarias para la reparación del aparato es de
  - 7 años para termostatos, sensores de temperatura, placas de circuitos impresos y fuentes de luz, tiradores de puertas, bisagras de puertas, bandejas, cestas (cajas o cajones)
  - 10 años para juntas de puertas
- La duración mínima de la garantía del aparato frigorífico ofrecida por el fabricante es de 24 meses.
- Información pertinente para solicitar piezas de repuesto, directamente o a través de otros canales proporcionados por el fabricante, el importador o el representante autorizado.
- Puede encontrar información sobre reparación profesional en <http://samsung.com/support>. Puede encontrar el manual de mantenimiento del usuario en <http://samsung.com/support>.

# Open Source Announcement

---

## Open Source Announcement

---

The software included in this product contains open source software. You may obtain the complete corresponding source code for a period of three years after the last shipment of this product by contacting our support team via <http://opensource.samsung.com> (Please use the "Inquiry" menu.)

It is also possible to obtain the complete corresponding source code in a physical medium such as a CD-ROM; a minimal charge will be required.

The following URL [http://opensource.samsung.com/opensource/COMMON\\_TZ6\\_0/seq/0](http://opensource.samsung.com/opensource/COMMON_TZ6_0/seq/0) leads to the open source license information as related to this product. This offer is valid to anyone in receipt of this information.



# Notas

---

# Notas

---

## NOTA

Por la presente, Samsung declara que este equipo de radio cumple con la Directiva 2014/53/UE y con los requisitos legales pertinentes en el Reino Unido.

El texto completo de la declaración de conformidad de la Unión Europea y de la declaración de conformidad del Reino Unido está disponible en la siguiente dirección de Internet: La declaración de conformidad oficial puede encontrarse en <http://www.samsung.com>; vaya a Soporte > Buscar soporte del producto, e introduzca el nombre del modelo.

|           | Rango de frecuencia | Potencia del transmisor (máx.) |
|-----------|---------------------|--------------------------------|
| Wifi      | 2412 - 2472 MHz     | 20 dBm                         |
| Bluetooth | 2402 - 2480 MHz     | 20 dBm                         |

|             |   |   |
|-------------|---|---|
| FRANCE      | 01 48 63 00 00  | <a href="http://www.samsung.com/fr/support">www.samsung.com/fr/support</a>  |
| GERMANY     | 06196 77 555 77   | <a href="http://www.samsung.com/de/support">www.samsung.com/de/support</a>  |
| LUXEMBURG   | 261 03 710  | <a href="http://www.samsung.com/be_fr/support">www.samsung.com/be_fr/support</a>  |
| NETHERLANDS | 088 90 90 100   | <a href="http://www.samsung.com/nl/support">www.samsung.com/nl/support</a>  |
| BELGIUM     | 02-201-24-18  | <a href="http://www.samsung.com/be/support">www.samsung.com/be/support</a> (Dutch)<br><a href="http://www.samsung.com/be_fr/support">www.samsung.com/be_fr/support</a> (French) |
| NORWAY      | 21629099  | <a href="http://www.samsung.com/no/support">www.samsung.com/no/support</a>  |
| DENMARK     | 707 019 70  | <a href="http://www.samsung.com/dk/support">www.samsung.com/dk/support</a>  |
| FINLAND     | 030-6227 515  | <a href="http://www.samsung.com/fi/support">www.samsung.com/fi/support</a>  |
| SWEDEN      | 0771-400 300  | <a href="http://www.samsung.com/se/support">www.samsung.com/se/support</a>  |
| CYPRUS      | 8009 4000 only from landline, toll free   | <a href="http://www.samsung.com/gr/support">www.samsung.com/gr/support</a>  |
| GREECE      | 80111-SAMSUNG (80111 726 7864) only from land line<br>(+30) 210 6897691 from mobile and land line |   |
| ITALIA      | 800-SAMSUNG (800.7267864)   | <a href="http://www.samsung.com/it/support">www.samsung.com/it/support</a>  |
| PORTUGAL    | 210 608 098<br>Chamada para a rede fixa nacional<br>Dias úteis das 9h às 20h                      | <a href="http://www.samsung.com/pt/support">www.samsung.com/pt/support</a>  |
| SPAIN       | 91 175 00 15  | <a href="http://www.samsung.com/es/support">www.samsung.com/es/support</a>  |





# Frigorífico

---

## Manual do utilizador

---

Aparelho encastrado

**SAMSUNG**

# Índice

---

|   |           |
|---|-----------|
| <b>Informações de segurança</b>                                       | <b>3</b>  |
| Informações a ter em conta sobre as instruções de segurança           | 3         |
| Símbolos e precauções de segurança importantes:                       | 5         |
| Precauções de segurança importantes                                   | 6         |
| Sinais de aviso importantes relativamente ao transporte e localização | 10        |
| Avisos muito importantes relativamente à instalação                   | 10        |
| Chamadas de atenção relativamente à instalação                        | 14        |
| Avisos muito importantes relativamente à utilização                   | 15        |
| Chamadas de atenção relativamente à utilização                        | 20        |
| Chamadas de atenção relativamente à limpeza                           | 23        |
| Avisos muito importantes relativamente à eliminação                   | 25        |
| Sugestões adicionais para uma utilização adequada                     | 26        |
| Instruções sobre REEE   | 28        |
| <b>Instalação</b>   | <b>29</b> |
| Visão geral do frigorífico  | 29        |
| Instalação passo a passo  | 30        |
| <b>Operações</b>  | <b>41</b> |
| Painel principal  | 41        |
| SmartThings (apenas nos modelos aplicáveis)                           | 46        |
| Informações sobre armazenamento                                       | 49        |
| <b>Manutenção</b>   | <b>51</b> |
| Manuseamento e cuidado  | 51        |
| Limpeza   | 53        |
| Substituição  | 53        |
| <b>Resolução de problemas</b>   | <b>54</b> |
| Geral   | 54        |
| Ouve sons estranhos vindos do frigorífico?                            | 57        |
| SmartThings (apenas nos modelos aplicáveis)                           | 59        |
| <b>Apêndice</b>   | <b>60</b> |
| Instrução de segurança  | 60        |
| Instrução de instalação   | 60        |
| Instrução de temperatura  | 61        |
| Informações sobre o modelo e a encomenda de peças de substituição     | 64        |
| <b>Open Source Announcement</b>                                       | <b>65</b> |
| Open Source Announcement  | 65        |

# Informações de segurança

---

Antes de utilizar o seu novo frigorífico Samsung, leia atentamente este manual para saber como utilizar de forma segura e eficaz as funcionalidades e funções deste novo aparelho.

## Informações a ter em conta sobre as instruções de segurança

---

- Os avisos e instruções de segurança importantes deste manual não abordam todas as condições e situações que poderão ocorrer.  
É da sua responsabilidade ter bom senso, atenção e cuidado durante a instalação, manutenção e utilização do aparelho.
- Uma vez que as instruções de funcionamento que se seguem abrangem vários modelos, as características do seu frigorífico podem diferir ligeiramente das descritas neste manual, não sendo eventualmente aplicáveis todos os sinais de aviso. Caso tenha alguma dúvida ou problema, contacte o centro de assistência mais perto de si ou procure informações e peça ajuda online acedendo a [www.samsung.com](http://www.samsung.com).
- O gás R-600a ou R-134a é utilizado como refrigerante. Verifique a etiqueta do compressor na parte posterior do aparelho ou a etiqueta de classificação no interior do frigorífico para saber qual o refrigerante utilizado no seu aparelho. Se este produto contiver gás inflamável (refrigerante R-600a), contacte as autoridades locais para saber como eliminar este produto em segurança.
- Para evitar a formação de uma mistura inflamável de gás e ar, na eventualidade de uma fuga no circuito de refrigeração, o tamanho da divisão onde o aparelho poderá ser instalado depende da quantidade de refrigerante utilizado.

## Informações de segurança

---

- É perigoso efetuar operações de assistência neste aparelho, se não for um técnico de assistência autorizado.
- Nunca ligue um aparelho que aparente estar danificado. Em caso de dúvida, consulte o seu distribuidor. A divisão tem de ter 1 m<sup>3</sup> de dimensão para cada 8 g de refrigerante R-600a no interior do aparelho. A quantidade de refrigerante neste aparelho está indicada na placa de identificação que se encontra no interior do mesmo.
- Uma fuga do gás refrigerante dos tubos pode fazer com que se inflame ou provocar uma lesão ocular. Se o refrigerante verter do tubo, evite todo o tipo de chamas, afaste todo o tipo de objetos inflamáveis do produto e ventile imediatamente a divisão.
  - Se não o fizer, poderá provocar um incêndio ou uma explosão.
- Para evitar a contaminação de alimentos, respeite as seguintes instruções:
  - Deixar a porta aberta durante muito tempo pode originar um aumento de temperatura significativo nos compartimentos do aparelho.
  - Limpe regularmente as superfícies que estejam em contacto com alimentos e sistemas de drenagem acessíveis.
  - Se os depósitos de água não tiverem sido utilizados durante 48 horas, limpe-os; se a água for a mesma durante 5 dias, lave o sistema de abastecimento de água ligado a uma fonte de abastecimento de água.

- 
- Armazene carne e peixe crus em recipientes adequados no frigorífico, de modo a não entrarem em contacto com outros alimentos e para que não pinguem sobre estes.
  - Os compartimentos de alimentos congelados de duas estrelas são adequados para armazenar alimentos pré-congelados e para armazenar ou fazer gelados; também são adequados para fazer cubos de gelo.
  - Os compartimentos de uma, duas e três estrelas não são adequados para congelar alimentos frescos.
  - Se o aparelho de refrigeração ficar vazio durante muito tempo, desligue-o, descongele-o, limpe-o, seque-o e deixe a sua porta aberta para evitar a formação de bolor no seu interior.

## **Símbolos e precauções de segurança importantes:**

---

Siga todas as instruções de segurança neste manual. Este manual utiliza os seguintes símbolos de segurança.

### **AVISO**

Perigos ou práticas pouco seguras que podem resultar em ferimentos graves, danos materiais e/ou morte.

### **ATENÇÃO**

Perigos ou práticas pouco seguras que podem resultar em ferimentos graves e/ou danos materiais.

### **NOTA**

Informação útil que ajuda o utilizador a familiarizar-se e a tirar o máximo partido do frigorífico.

## Informações de segurança

---

Estes sinais de aviso destinam-se a evitar ferimentos em qualquer pessoa.

Respeite-os.

Depois de ler esta secção, guarde-a num local seguro para referência futura.

## Precauções de segurança importantes

---



**AVISO:** risco de incêndio/materiais inflamáveis

### **AVISO**

- Ao instalar o aparelho, assegure-se de que o cabo de alimentação não está preso nem danificado.
- Não coloque extensões de tomadas múltiplas nem fontes de alimentação portáteis atrás do aparelho.
- Mantenha as aberturas de ventilação do aparelho e da estrutura incorporada desobstruídas.
- Não utilize dispositivos mecânicos ou quaisquer outros meios para acelerar o processo de descongelação, que não sejam os recomendados pelo fabricante.
- Não danifique o circuito de refrigeração.
- Não utilize aparelhos elétricos dentro dos compartimentos do frigorífico destinados à conservação de alimentos, a menos que sejam do tipo recomendado pelo fabricante.

- 
- Este aparelho não se destina a ser utilizado por pessoas (incluindo crianças) com capacidades físicas, sensoriais ou mentais reduzidas, nem por pessoas com falta de experiência e conhecimentos, exceto se forem supervisionadas ou lhes tiverem sido dadas instruções sobre a utilização do aparelho por uma pessoa responsável pela sua segurança.
  - Este aparelho pode ser utilizado por crianças com idade igual ou superior a oito anos, por pessoas com capacidades mentais, sensoriais ou físicas reduzidas ou por pessoas com falta de experiência e conhecimentos de utilização desde que sejam supervisionadas ou tenham recebido instruções relativas à utilização segura do aparelho e que percebam os eventuais riscos envolvidos. As crianças não devem brincar com o aparelho. A limpeza e manutenção necessárias não devem ser feitas por crianças sem supervisão de um adulto responsável. As crianças dos 3 aos 8 anos podem carregar e descarregar aparelhos de refrigeração.
  - Se o cabo de alimentação estiver danificado, tem de ser substituído pelo fabricante, pelo respetivo representante da assistência ou por agentes qualificados, para evitar qualquer tipo de risco.
  - A tomada tem de ter acesso fácil, para que o aparelho possa ser desligado rapidamente da fonte de alimentação, em caso de emergência.
    - Tem de estar fora da área da parte posterior do aparelho.
  - Não armazene substâncias explosivas, tais como latas de aerossóis com um propulsor inflamável, neste aparelho.

## Informações de segurança

---

- Se o produto estiver equipado com lâmpadas LED, não desmonte as proteções das lâmpadas nem substitua as lâmpadas LED sem assistência.
  - Contacte um centro de assistência técnica da Samsung.
  - Utilize apenas lâmpadas LED fornecidas pelo fabricante ou pelo representante da assistência.
- Se a lâmpada LED interior ou exterior se fundir, contacte o centro de assistência mais próximo.
- Para uma utilização mais eficiente da energia, mantenha todos os acessórios internos, tais como cestos, gavetas e prateleiras, na posição definida pelo fabricante.
- Para obter a melhor eficiência energética deste produto, deixe todas as prateleiras, gavetas e cestos na sua posição original.

### Como minimizar o consumo de energia

- Instale o aparelho num local fresco e seco com ventilação adequada.
- Certifique-se de que não fica exposto à incidência direta de raios solares e nunca o coloque perto de uma fonte direta de calor (radiador, por exemplo).
  - Com vista à eficiência energética, recomenda-se que não bloqueie as aberturas de ventilação ou as grelhas.
  - Deixe arrefecer os alimentos quentes antes de os guardar no aparelho.
  - Coloque os alimentos congelados no frigorífico para descongelarem. Deste modo, pode utilizar as baixas temperaturas dos produtos congelados para arrefecer outros alimentos no frigorífico.



- 
- Não mantenha a porta do aparelho aberta durante muito tempo para colocar ou retirar alimentos.
  - Quanto menos tempo a porta estiver aberta, menos gelo se acumulará no congelador.
  - Limpe a parte posterior do frigorífico com regularidade. O pó aumenta o consumo de energia.
  - Não regule a temperatura para um nível mais baixo do que o necessário.
  - Certifique-se de que a saída de ar do frigorífico é suficiente na base e na parte posterior do mesmo. Não tape as aberturas de ventilação de ar.
  - Durante a instalação, deixe espaço de ambos os lados, bem como na parte posterior e superior. Estas medidas irão ajudá-lo a reduzir o consumo de energia e a manter as suas contas de eletricidade mais baixas.
  - Selecione uma profundidade da cavidade de 560 mm. Uma profundidade de cavidade inferior irá resultar num maior consumo de energia.

**Este aparelho de uso doméstico destina-se também a ser utilizado em aplicações semelhantes como:**

- em zonas de cozinha de funcionários em lojas, escritórios e em outros ambientes de trabalho;
- em casas de campo/quintas, hotéis, motéis e outros tipos de ambientes residenciais;
- em ambientes tipo pousada;
- em serviços de catering e em outras aplicações semelhantes que não se destinem a retalho.

## Informações de segurança

---

### Sinais de aviso importantes relativamente ao transporte e localização

---

#### AVISO

- Quando transportar e instalar o aparelho, deverá ter cuidado para garantir que nenhuma peça do circuito de refrigeração fica danificada.
  - Se houver fugas de refrigerante na tubagem, este poderá entrar em combustão ou provocar danos nos olhos. Se for detetada uma fuga, evite o contacto com chamas ou potenciais fontes de ignição e ventile a divisão na qual se encontra o aparelho durante vários minutos.
  - Este aparelho contém uma pequena quantidade de refrigerante isobutano (R-600a), um gás natural com elevada compatibilidade ambiental, embora seja também combustível. Quando transportar e instalar o aparelho, deverá ter cuidado para garantir que nenhuma peça do circuito de refrigeração fica danificada.

### Avisos muito importantes relativamente à instalação

---

#### AVISO

- Não instale o frigorífico num local húmido ou num local onde possa ficar em contacto com água.
  - A deterioração do isolamento em componentes elétricos pode provocar choques elétricos ou incêndios.

- 
- Não coloque este frigorífico num local com exposição solar direta ou próximo de fogões, aquecedores ou outros aparelhos que emanem calor.
  - Não ligue vários aparelhos à mesma extensão elétrica. O frigorífico deve ser sempre ligado à sua própria tomada elétrica, devendo esta ter uma tensão nominal igual à indicada na placa sinalética do frigorífico.
    - Deste modo, obtém-se o melhor desempenho possível e também se evita a sobrecarga dos circuitos elétricos domésticos, o que pode provocar um incêndio resultante de cabos sobreaquecidos.
  - Se a tomada estiver solta, não introduza a ficha.
    - Existe o risco de choque elétrico ou incêndio.
  - Não utilize um cabo de alimentação que apresente fissuras ou desgaste na sua extensão ou em qualquer uma das extremidades.
  - Não dobre excessivamente o cabo de alimentação nem coloque objetos pesados sobre o mesmo.
  - Não puxe nem dobre excessivamente o cabo de alimentação.
  - Não torça nem dê nós no cabo de alimentação.
  - Não pendure o cabo de alimentação num objeto metálico, não coloque qualquer objeto pesado em cima do cabo de alimentação, não introduza o cabo entre objetos, nem o empurre para o espaço na parte de trás do aparelho.
  - Se deslocar o frigorífico, tenha cuidado para não passar por cima do cabo de alimentação nem o danificar.
    - Tal pode resultar num choque elétrico ou num incêndio.

## Informações de segurança

---

- Nunca puxe o cabo de alimentação para desligar o frigorífico. Segure sempre bem a ficha e puxe a direito para a retirar da tomada.
  - Se o cabo estiver danificado, pode provocar um curto-circuito, um incêndio e/ou um choque elétrico.
- Não utilize aerossóis perto do frigorífico.
  - A utilização de aerossóis perto do frigorífico pode causar uma explosão ou um incêndio.
- Não instale este aparelho perto de um aquecedor ou de materiais inflamáveis.
- Não instale este aparelho num local onde possam ocorrer fugas de gás.
  - Tal pode resultar num choque elétrico ou num incêndio.
- Antes de utilizar o frigorífico, este tem de ser localizado e instalado corretamente de acordo com as instruções do manual.
- Ligue a ficha na posição correta com o cabo pendurado.
  - Se ligar a ficha ao contrário, o cabo pode ficar cortado e provocar um incêndio ou choque elétrico.
- Certifique-se de que a ficha não é esmagada nem danificada pela parte de trás do frigorífico.
- Mantenha os materiais de embalagem fora do alcance das crianças.
  - Existe o risco de morte por asfixia se uma criança colocar os materiais de embalagem na cabeça.
- Não instale este aparelho num local húmido, gorduroso ou sujo, num local com exposição solar direta, nem em contacto com água (chuva).
  - A deterioração do isolamento dos componentes elétricos pode provocar choques elétricos ou incêndios.

- 
- Se existir algum pó ou água no frigorífico, desligue a ficha e contacte o seu centro de assistência Samsung Electronics.
    - Caso contrário, existe o risco de incêndio.
  - Não se coloque em cima do aparelho, nem coloque objetos (tais como roupa, velas acesas, cigarros acesos, pratos, químicos, objetos de metal, etc.) sobre o mesmo.
    - Se o fizer, pode provocar um choque elétrico, um incêndio, outras falhas no produto ou ferimentos.
  - Tem de retirar toda a película protetora de plástico antes de ligar o produto.
  - As crianças devem ser vigiadas para impedir que brinquem com os anéis de retenção utilizados para o ajuste da porta ou com os grampos do tubo de água.
    - Existe o risco de morte por asfixia se uma criança engolir um anel de retenção ou um grampo do tubo de água. Mantenha os anéis de retenção e os grampos do tubo de água fora do alcance das crianças.
  - O frigorífico tem de estar ligado à terra em segurança.
    - Antes de tentar investigar ou reparar qualquer componente do aparelho, certifique-se sempre de que o frigorífico está ligado à terra. As fugas de corrente podem provocar choques elétricos.
  - Nunca utilize canos de gás, fios de telefone nem outros potenciais para-raios para a ligação à terra.
    - Tem de efetuar a ligação à terra do frigorífico de modo a evitar fugas de corrente ou choques elétricos provocados pela fuga de corrente do frigorífico.
    - Tal pode resultar em choque elétrico, incêndio, explosão ou danos no produto.

## Informações de segurança

---

- Ligue a ficha de alimentação firmemente na tomada. Não utilize uma ficha ou um cabo de alimentação danificados ou uma tomada solta.
  - Tal pode resultar num choque elétrico ou num incêndio.
- O fusível existente no frigorífico tem de ser substituído por um técnico qualificado ou pela empresa de assistência.
  - Caso contrário, pode provocar um choque elétrico ou ferimentos.
- Este aparelho é um modelo encastrado que requer ventilação orientada. Para impedir o risco de explosão, certifique-se de que assegura a ventilação da divisão.
- O fusível existente no frigorífico tem de ser substituído por um técnico qualificado ou pela empresa de assistência. Caso contrário, pode provocar um choque elétrico ou ferimentos.

## Chamadas de atenção relativamente à instalação

---

### ATENÇÃO

- Instale o frigorífico num local com espaço suficiente à volta e sobre uma superfície plana.
  - Se o frigorífico não estiver nivelado, pode haver uma redução na eficiência de arrefecimento e na durabilidade do mesmo.
- Não coloque alimentos no aparelho no espaço de 2 a 3 horas após a instalação e a ligação.

- 
- Recomendamos vivamente que solicite a instalação do frigorífico a um técnico qualificado ou a uma empresa de assistência.
    - Caso contrário, pode provocar um choque elétrico, incêndio, explosão, danos no produto ou ferimentos.

## **Avisos muito importantes relativamente à utilização**

---

### **⚠ AVISO**

- Não introduza a ficha numa tomada com as mãos molhadas.
  - Tal pode provocar um choque elétrico.
- Não coloque objetos sobre o aparelho.
  - Ao abrir ou fechar a porta, os objetos podem cair e provocar ferimentos e/ou danos materiais.
- Não introduza mãos, pés ou objetos metálicos (tais como pauzinhos chineses, etc.) debaixo ou na parte de trás do frigorífico.
  - Tal pode provocar um choque elétrico ou ferimento.
  - As pontas afiadas podem provocar ferimentos.
- Não toque nas paredes interiores do congelador nem nos produtos guardados no mesmo com as mãos molhadas.
  - Pode ficar com queimaduras de frio.
- Não coloque recipientes com água sobre o frigorífico.
  - Se se entornarem, podem provocar um incêndio ou um choque elétrico.

## Informações de segurança

---

- Não coloque objetos ou substâncias voláteis ou inflamáveis (benzeno, diluente, gás propano, álcool, éter, gás de petróleo liquefeito e outros produtos semelhantes) no frigorífico.
  - Este frigorífico destina-se exclusivamente a armazenar alimentos.
  - Tal pode resultar em incêndio ou explosão.
- As crianças devem ser vigiadas para impedir que brinquem com o aparelho.
  - Mantenha os dedos afastados de zonas onde possa entalá-los. Os espaços entre as portas e o armário são muito pequenos. Tenha cuidado ao abrir as portas na presença de crianças.
- Não coloque os dedos e não permita que crianças coloquem os dedos entre as portas.
  - Mantenha os dedos afastados das folgas das portas à esquerda e à direita. Tenha cuidado ao abrir as portas se os seus dedos se encontrarem entre as mesmas.
- Não deixe que as crianças se pendurem na porta nem nos compartimentos da porta. Se o fizerem, podem ferir-se gravemente.
- Não deixe que as crianças entrem no frigorífico. Podem ficar presas no interior.
- Não coloque as mãos debaixo do aparelho.
  - Extremidades afiadas podem provocar ferimentos.



- 
- Não guarde produtos farmacêuticos, materiais científicos ou produtos com requisitos especiais de temperatura no frigorífico.
    - Os produtos que requerem controlos de temperatura rigorosos não devem ser guardados dentro do frigorífico.
  - Se lhe cheirar a produtos farmacêuticos ou a fumo, desligue imediatamente a ficha e contacte o centro de assistência da Samsung Electronics.
  - Se entrar água ou pó para o frigorífico, desligue a ficha de alimentação e contacte o centro de assistência da Samsung Electronics.
    - Caso contrário, existe o risco de incêndio.
  - Não deixe que as crianças subam para as gavetas.
    - As gavetas podem partir-se e fazer com que as crianças escorreguem.
  - Não deixe as portas do frigorífico abertas se estiver longe do mesmo e não permita que as crianças entrem no frigorífico.
  - Não permita que bebés ou crianças entrem na gaveta do frigorífico.
    - Tal poderá provocar ferimentos ou a morte por asfixia, se ficarem presas no interior.
  - Não encha demasiado o frigorífico com alimentos.
    - Ao abrir a porta, pode cair um produto e causar ferimentos ou danos materiais.

## Informações de segurança

---

- Não vaporize materiais voláteis, tais como inseticidas, sobre a superfície do aparelho.
  - Além de serem prejudiciais para os seres humanos, também podem provocar choques elétricos, incêndios ou outras falhas no produto.
- Não utilize nem coloque substâncias sensíveis às temperaturas, tais como sprays ou objetos inflamáveis, gelo seco, medicamentos ou produtos químicos perto ou dentro do frigorífico.
- Não utilize um secador de cabelo para secar o interior do frigorífico. Não coloque uma vela acesa no frigorífico para remover maus odores.
  - Tal pode resultar num choque elétrico ou num incêndio.
- Não se coloque em cima do aparelho, nem coloque objetos (tais como roupa, velas acesas, cigarros acesos, pratos, químicos, objetos de metal, etc.) sobre o mesmo. Se o fizer, pode provocar um choque elétrico, um incêndio, outras falhas no produto ou ferimentos. Não coloque um recipiente cheio de água sobre o aparelho.
  - Se se entornarem, podem provocar um incêndio ou um choque elétrico.
- Nunca olhe diretamente para a lâmpada LED UV por períodos prolongados.
  - Se o fizer, tal poderá resultar em astenopia devido aos raios ultravioletas.
- Não coloque a prateleira ao contrário. O batente da prateleira poderá não funcionar.
  - Tal poderá causar ferimentos decorrentes da queda de uma prateleira de vidro.

- 
- Se detetar uma fuga de gás, evite as chamas abertas ou potenciais fontes de ignição e areje a divisão em que o aparelho se encontra, durante vários minutos.
    - Não toque no aparelho nem no cabo de alimentação.
    - Não utilize um ventilador.
    - Uma faísca pode provocar uma explosão ou um incêndio.
  - As garrafas devem ser guardadas compactamente de modo a não caírem.
  - Este produto destina-se apenas ao armazenamento de alimentos num ambiente doméstico.
  - Não tente reparar, desmontar ou modificar o frigorífico sozinho.
    - As alterações não autorizadas poderão originar problemas de segurança. Para revertermos uma alteração não autorizada, cobraremos os custos totais das peças e mão-de-obra.
  - Não utilize qualquer fusível (tal como cobre, cabo de aço, etc.) para além de um fusível padrão.
  - Se o frigorífico tiver de ser reparado ou reinstalado, contacte o centro de assistência mais próximo.
    - Caso contrário, pode provocar um choque elétrico, incêndio, danos no produto ou ferimentos.
  - Se o frigorífico começar a deitar fumo ou se sentir um cheiro a queimado, desligue o frigorífico imediatamente e contacte o centro de assistência da Samsung Electronics.
    - Caso contrário, pode provocar um choque elétrico ou um incêndio.

## Informações de segurança

---

- Desligue a ficha da tomada antes de substituir as lâmpadas interiores do frigorífico.
  - Caso contrário, existe o risco de choque elétrico.
- Se se deparar com alguma dificuldade no processo de substituição de uma lâmpada não LED, contacte um centro de assistência da Samsung Electronics.
- Ligue a ficha de alimentação firmemente na tomada.
- Não utilize uma ficha ou um cabo de alimentação danificados ou uma tomada solta.
  - Tal pode resultar num choque elétrico ou num incêndio.

## Chamadas de atenção relativamente à utilização

---

### ATENÇÃO

- Não volte a congelar alimentos descongelados.
  - O desenvolvimento de bactérias nocivas em alimentos congelados e descongelados será mais rápido do que em alimentos frescos.
  - O segundo descongelamento irá destruir ainda mais células, retirando humidade e alterando a integridade do produto.
- Não descongele carne à temperatura ambiente.
  - A segurança dependerá da forma como o produto cru foi tratado.
- Não coloque garrafas de vidro nem bebidas com gás no congelador.
  - O recipiente pode congelar e partir, o que pode provocar ferimentos.

- 
- Utilize apenas o módulo de produção de gelo fornecido com o frigorífico.
  - Para obter o melhor desempenho possível do aparelho:
    - Não coloque os alimentos muito perto das aberturas de ventilação na parte de trás do frigorífico, dado que podem obstruir a circulação de ar no compartimento do frigorífico.
    - Acondicione muito bem os alimentos, embrulhando-os ou colocando-os em recipientes hermeticamente fechados, antes de os colocar no frigorífico.
    - Respeite os tempos máximos de conservação e os prazos de validade dos alimentos congelados.
    - Não é necessário desligar o frigorífico da fonte de alimentação, se apenas se ausentar durante um período inferior a três semanas. Mas se o período de ausência for superior a três semanas, retire todos os alimentos e o gelo do depósito de gelo, desligue o frigorífico da tomada, feche a válvula de água, limpe o excesso de humidade acumulada nas paredes interiores e deixe as portas abertas para prevenir o aparecimento de bolor e de odores.
  - Garantia de assistência e alterações.
    - Quaisquer alterações efetuadas por terceiros a este produto final não serão cobertas pelo serviço de garantia da Samsung. Da mesma forma, a Samsung não será responsável por problemas de segurança resultantes de alterações feitas por terceiros.

## Informações de segurança

---

- Não bloqueie as aberturas de ventilação no interior do frigorífico.
  - Se as aberturas de ventilação estiverem bloqueadas (especialmente se for com um saco de plástico), o frigorífico pode refrigerar em excesso.
- Limpe o excesso de humidade do interior e deixe as portas abertas.
  - Caso contrário, podem gerar-se odores e bolor.
- Se o frigorífico estiver desligado da fonte de alimentação, deve aguardar, no mínimo, cinco minutos antes de ligá-lo novamente.
- Se o frigorífico ficar molhado com água, desligue o cabo de alimentação da tomada e contacte o centro de assistência da Samsung Electronics.
- Não aplique pressão ou força excessiva nas superfícies de vidro.
  - Vidros partidos poderão resultar em ferimentos e/ou danos materiais.
- Tenha cuidado para não entalar os dedos.
- Se o frigorífico ficar cheio de água, contacte o centro de assistência mais próximo.
  - Existe o risco de choque elétrico ou de incêndio.

- 
- Não guarde óleo vegetal nos compartimentos da porta do frigorífico. O óleo pode solidificar, tornando-o desagradável ao paladar e difícil de usar. Além disso, um recipiente aberto pode derramar e o óleo derramado pode fazer com que o compartimento da porta rache. Depois de abrir um recipiente de óleo, o ideal será guardar o recipiente num local fresco e ao abrigo da luz, como um armário ou despensa.
    - Exemplos de óleo vegetal: azeite, óleo de milho, óleo de semente de uva, etc.

## Chamadas de atenção relativamente à limpeza

---

### **ATENÇÃO**

- Não pulverize água diretamente sobre o interior ou exterior do frigorífico.
  - Existe o risco de incêndio ou choque elétrico.
- Não utilize um secador de cabelo para secar o interior do frigorífico.
- Não coloque velas acesas no interior do frigorífico para remover maus cheiros.
  - Tal pode resultar num choque elétrico ou num incêndio.
- Não pulverize produtos de limpeza diretamente sobre o visor.
  - As letras impressas no visor podem desaparecer.

## Informações de segurança

---

- Se uma substância estranha, tal como água, entrar para o aparelho, desligue a ficha e contacte o centro de assistência mais próximo.
  - Se não o fizer, pode provocar um incêndio ou um choque elétrico.
- Utilize um pano limpo e seco para remover quaisquer substâncias estranhas ou pó dos pinos da ficha. Não utilize um pano molhado ou húmido para limpar a ficha.
  - Se o fizer, existe o risco de incêndio ou choque elétrico.
- Não limpe o aparelho pulverizando-o diretamente com água.
- Não utilize benzeno, diluente, Clorox™ nem cloreto para a limpeza.
  - Podem danificar a superfície do aparelho e provocar um incêndio.
- Antes de limpar ou efetuar a manutenção, desligue o aparelho da tomada.
  - Se não o fizer, pode provocar um incêndio ou um choque elétrico.
- Utilize uma esponja ou um pano macio limpo e um detergente suave e água morna para limpar o frigorífico.
- Não utilize produtos de limpeza abrasivos ou agressivos, tais como limpa-vidros, produtos de limpeza abrasivos, fluidos inflamáveis, ácido muriático, ceras de limpeza, detergentes concentrados, lixívia ou produtos de limpeza contendo produtos petrolíferos nas superfícies exteriores (portas e armário), peças de plástico, portas e revestimentos interiores e juntas.
  - Estes produtos podem riscar ou danificar o material.



- 
- Não limpe prateleiras ou tampas de vidro com água morna quando estas estão frias. As prateleiras e tampas de vidro podem partir-se se forem expostas a mudanças súbitas de temperatura ou impactos, como choques ou quedas.

## **Avisos muito importantes relativamente à eliminação**

---

### **⚠ AVISO**

- Elimine o material de embalagem deste produto de uma forma não prejudicial para o ambiente.
- Certifique-se de que nenhum dos tubos existentes na parte de trás do frigorífico está danificado antes da eliminação.
- Ao eliminar este frigorífico, retire a porta/as vedações da porta e o fecho de segurança, para que crianças pequenas ou animais não corram o risco de ficar presos no interior. As crianças devem ser vigiadas para impedir que brinquem com o aparelho. Caso fique presa no interior, uma criança pode magoar-se ou sufocar até à morte.
  - Caso fique presa no interior, uma criança pode magoar-se e sufocar até à morte.
- O ciclopentano é utilizado no isolamento. Os gases existentes no material de isolamento requerem um procedimento de eliminação especial. Contacte as autoridades locais relativamente à eliminação não prejudicial para o ambiente deste produto.
- Mantenha todos os materiais de embalagem fora do alcance das crianças, uma vez que estes podem representar um perigo para as crianças.
  - Se uma criança colocar um saco na cabeça, pode sufocar.

# Informações de segurança

---

## Sugestões adicionais para uma utilização adequada

---

- Em caso de falha de energia, contacte a repartição local da sua companhia de eletricidade e pergunte quanto tempo irá durar.
  - Por norma, as falhas de energia que são resolvidas no espaço de uma a duas horas não afetam as temperaturas do frigorífico. No entanto, deve abrir a porta do frigorífico o menos possível enquanto a energia não for reposta.
  - Caso a falha de energia se prolongue por mais de 24 horas, retire todos os alimentos congelados e deite-os fora.
- O frigorífico pode não funcionar de forma consistente (os produtos congelados podem descongelar ou a temperatura pode subir demasiado no congelador) se, durante um longo período de tempo, ficar instalado num local em que a temperatura ambiente está constantemente abaixo das temperaturas para as quais o aparelho foi concebido.
- No caso de determinados alimentos, a refrigeração pode não ser adequada para a conservação dos mesmos devido às suas propriedades.
- Este aparelho é “frost free”, o que significa que não há necessidade de o descongelar manualmente. Esta operação é realizada de forma automática.

- 
- O aumento de temperatura durante a descongelação está em conformidade com os requisitos da norma ISO. Se quiser impedir um aumento excessivo da temperatura dos alimentos congelados durante a descongelação do aparelho, embrulhe-os em várias camadas de papel de jornal.
  - Não volte a congelar alimentos que tenham descongelado completamente.
  - A temperatura da secção (secções) de duas estrelas ou do compartimento (compartimentos) que tem o símbolo de duas estrelas (☆☆) é ligeiramente mais elevada do que noutros compartimentos do congelador.  
A localização da secção (secções) de duas estrelas ou do compartimento (compartimentos) pode (podem) variar consoante os produtos; por isso, consulte as instruções e/ou as condições em que são entregues.

# Informações de segurança

## Instruções sobre REEE



Eliminação Correcta Deste Produto (Resíduos de Equipamentos Eléctricos e Electrónicos)

(Aplicável a países cujos sistemas de recolha sejam separados)

Esta marca - apresentada no produto, nos acessórios ou na literatura - indica que o produto e os seus acessórios electrónicos (por exemplo, o carregador, o auricular, o cabo USB) não deverão ser eliminados juntamente com os resíduos domésticos no final do seu período de vida útil. Para impedir danos ao ambiente ou à saúde humana causados pela eliminação incontrolada de resíduos, deverá separar estes equipamentos de outros tipos de resíduos e reciclá-los de forma responsável, para promover uma reutilização sustentável dos recursos materiais.

Os utilizadores domésticos deverão contactar o estabelecimento onde adquiriram este produto ou as entidades oficiais locais para obterem informações sobre onde e de que forma podem entregar estes equipamentos para permitir efectuar uma reciclagem segura em termos ambientais.

Os utilizadores profissionais deverão contactar o seu fornecedor e consultar os termos e condições do contrato de compra. Este produto e os seus acessórios electrónicos não deverão ser misturados com outros resíduos comerciais para eliminação.

Para obter informações sobre os compromissos ambientais da Samsung e as obrigações regulatórias do produto, por exemplo, as Diretivas REACH, REEE e de Baterias, visite a nossa página sobre sustentabilidade, disponível através do site [www.samsung.com](http://www.samsung.com)

(Apenas para produtos vendidos em países europeus)

# Instalação

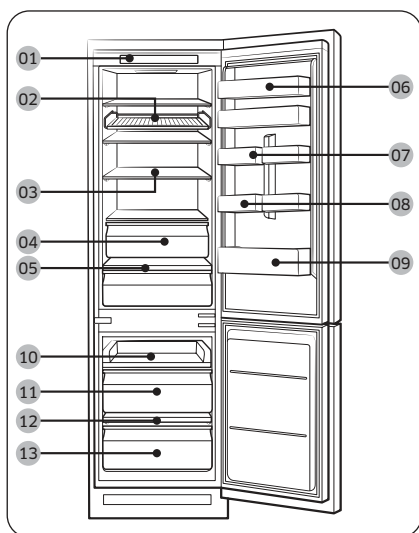
Antes de utilizar este frigorífico, siga estas instruções cuidadosamente para garantir uma correta instalação do mesmo e evitar acidentes.

## ⚠ AVISO

- Utilize o frigorífico apenas para o fim a que se destina e de acordo com este manual.
- Qualquer reparação tem de ser efetuada por um técnico qualificado.
- Elimine o material de embalagem do produto em conformidade com os regulamentos locais.
- Para evitar choques elétricos, retire o cabo de alimentação da tomada antes de qualquer reparação ou substituição.

## Visão geral do frigorífico

Esta imagem pode diferir dos componentes do frigorífico fornecidos consoante o modelo e o país.



- 01 Painel de controlo
- 02 Prateleira para vinhos \*
- 03 Prateleira do frigorífico \*
- 04 Gaveta de frigorífico \*
- 05 Prateleira dos vegetais \*
- 06 Compartimento superior da porta \*
- 07 Compartimento da porta para diversos produtos
- 08 Compartimento para ovos \*
- 09 Compartimento da porta do frigorífico
- 10 Prateleira deslizante
- 11 Gaveta do meio do congelador
- 12 Prateleira do congelador \*
- 13 Gaveta inferior do congelador

\* apenas nos modelos aplicáveis

## 📖 NOTA

- Para obter a melhor eficiência energética possível, certifique-se de que todos os cestos, prateleiras e gavetas estão colocados na respetiva posição original.
- Apenas nos modelos com prateleira do congelador:
  - Para congelar rapidamente grandes quantidades de alimentos, utilize o congelador após remover a gaveta inferior.
  - Para obter mais espaço, pode retirar a prateleira deslizante (10) e as duas gavetas do congelador (11, 13) por baixo da mesma, mas manter a prateleira do congelador na gaveta inferior do congelador. Estas não afetam as características térmicas e mecânicas. A capacidade declarada de armazenamento de alimentos congelados deste compartimento é calculada sem a prateleira e as gavetas do congelador.

# Instalação

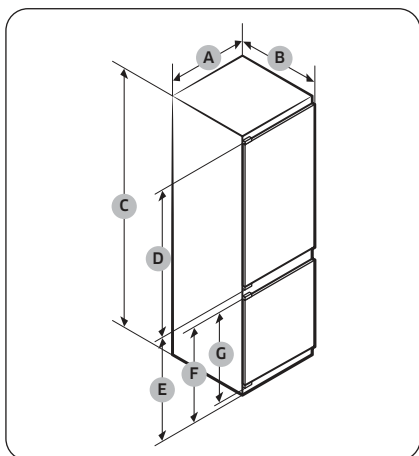
## Instalação passo a passo

### PASSO 1 Selecionar um local

Requisitos para o local:

- Superfície sólida e nivelada sem carpete ou pavimento que possa obstruir a ventilação
- Afastado da incidência direta de raios solares
- Espaço adequado para abrir e fechar a porta
- Afastado de uma fonte de calor
- Espaço para a manutenção e assistência

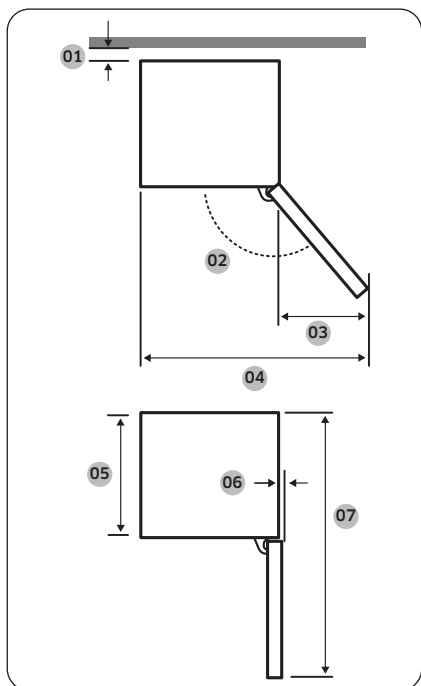
Dimensão do produto



|   | BRB***26*         | BRB***30*         |
|---|-------------------|-------------------|
| A | 540±2             | 540±2             |
| B | 550±2 (com porta) | 550±2 (com porta) |
| C | 1775±2            | 1935±2            |
| D | 987               | 1147              |
| E | 735               | 735               |
| F | 671               | 671               |
| G | 621               | 621               |

(unidade: mm)

## Dimensão global do produto



| Modelo | BRB*****S0<br>TIPO DESLIZANTE | BRB*****F0<br>TIPO FIXO |
|--------|-------------------------------|-------------------------|
| 01 *   | 10 (Mín.) / 30 (Recomendado)  |                         |
| 02     | 95° (Recomendado)             | 115° (Recomendado)      |
| 03     | 218                           | 180                     |
| 04     | 758                           | 700                     |
| 05     | 510                           | 510                     |
| 06     | 1                             | 5                       |
| 07     | 1055                          | 1055                    |

\* 01: Do armário até à traseira do produto.  
(unidade: mm)

### NOTA

- O consumo de energia especificado baseia-se na condição de um espaço de 10 mm do armário até à traseira do produto. O produto irá funcionar corretamente, mesmo com um espaço inferior a 10 mm, contudo, consome ligeiramente mais energia.
- É recomendado utilizar um armário com uma espessura de 18 mm, com dobradiças inferiores a 20 mm.

### NOTA

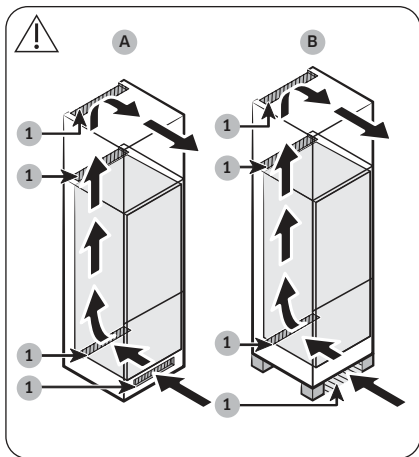
- As medidas apresentadas na tabela acima podem variar consoante o método de medição.
- Para instalação encastrada, consulte o Manual de instalação.

# Instalação

## Sistema de ventilação do armário

Como mostrado na imagem, o ar que entra no frigorífico circula pelo caminho de ventilação (consulte a direção da seta) do armário. O armário tem de ter, pelo menos, 200 cm<sup>2</sup> (LxA: 500 mm x 40 mm) de espaço para entrada e saída de ar. Além disso, o armário tem de ter uma ventilação traseira de, pelo menos, 200 cm<sup>2</sup> (LxA: 500 mm x 40 mm) de espaço na parte inferior traseira.

Entrada de ar

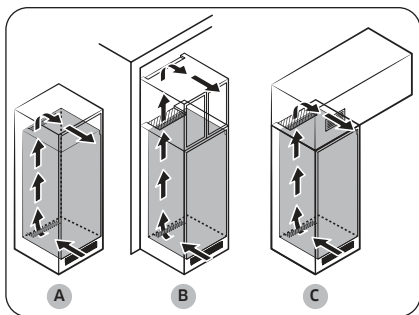


|   |                     |
|---|---------------------|
| 1 | 200 cm <sup>2</sup> |
|---|---------------------|

A entrada de ar tem de estar posicionada como num dos exemplos abaixo, ou numa posição semelhante, dependendo do tipo de armário.

- A. Um orifício de ventilação incluído no armário.
- B. Um armário com pés.

Saída de ar



A saída de ar tem de estar posicionada como num dos exemplos abaixo, ou numa posição semelhante, dependendo do tipo de armário.

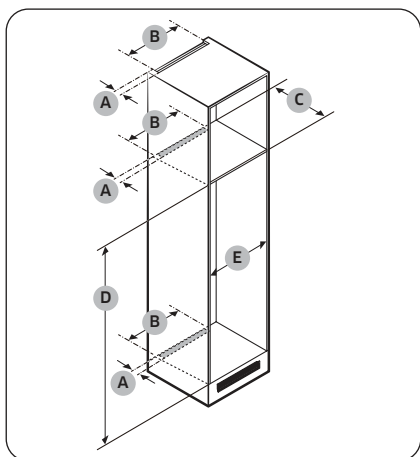
- A. Imediatamente acima do frigorífico, com uma grelha de ventilação opcional
- B. Perto do teto do armário
- C. Acima do frigorífico com uma ventilação encastrada em separado

### ⚠ ATENÇÃO

Independentemente do design do armário, o sistema de ventilação de ar não pode estar bloqueado por nenhum tipo de instalação.



## Dimensão do armário



### ⚠ ATENÇÃO

Se o armário tiver uma porta, certifique-se de que a porta não é pesada, para impedir que tombe ou caia.

| Porta do armário    | Espessura (mm) | Peso (kg) |
|---------------------|----------------|-----------|
| Lado do frigorífico | Mín. 16        | Máx. 18   |
| Lado do congelador  | Máx. 19        | Máx. 12   |

As falhas do produto causadas pelas seguintes condições não são abrangidas pela garantia.

1. Condições incorretas do local ou tamanho incorreto do armário
2. Armário danificado
3. Erros do instalador ou do utilizador

## Folga

Consulte as imagens e as tabelas abaixo para saber os requisitos de espaço para a instalação.

| Modelo                          |             | A (mm) | B (mm) | C (mm) | D (mm) | E (mm) | Observação       |
|---------------------------------|-------------|--------|--------|--------|--------|--------|------------------|
| BRB***26**S0<br>TIPO DESLIZANTE | Mín.        | 40     | 500    | 560    | 1778   | 560    |                  |
|                                 | Recomendado |        |        | 580    | 1780   | 562    |                  |
|                                 | Máx.        |        |        | -      | 1782   | 568    |                  |
| BRB***26**F0<br>TIPO FIXO       | Mín.        | 40     | 500    | 560    | 1778   | 555    | Dobradiça: 17 mm |
|                                 | Recomendado |        |        | 580    | 1780   | 562    |                  |
|                                 | Máx.        |        |        | -      | 1782   | 568    |                  |
| BRB***30**S0<br>TIPO DESLIZANTE | Mín.        | 40     | 500    | 560    | 1938   | 560    |                  |
|                                 | Recomendado |        |        | 580    | 1940   | 562    |                  |
|                                 | Máx.        |        |        | -      | 1942   | 568    |                  |
| BRB***30**F0<br>TIPO FIXO       | Mín.        | 40     | 500    | 560    | 1938   | 555    | Dobradiça: 17 mm |
|                                 | Recomendado |        |        | 580    | 1940   | 562    |                  |
|                                 | Máx.        |        |        | -      | 1942   | 568    |                  |

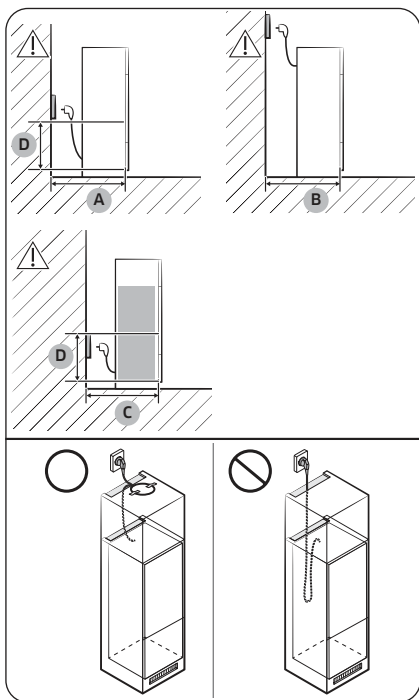
### 📄 NOTA

- Se a largura de um armário for superior a 568 mm, o vedante (entre o frigorífico e o armário) pode ficar solto.

# Instalação

- Se o armário for superior à dimensão máxima (1782 mm), terá de utilizar outros materiais de acabamento para encher o espaço.

Consideração para a localização da tomada e o espaço requerido



|   |          |
|---|----------|
| A | Mín. 590 |
| B | Mín. 560 |
| C | Mín. 580 |
| D | 240      |

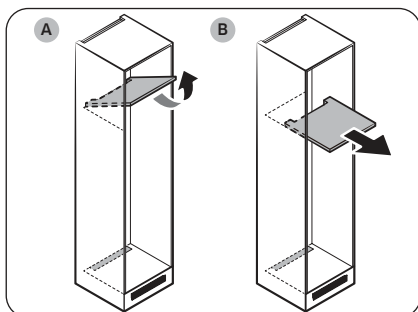
(unidade: mm)

## NOTA

Se instalar o frigorífico num armário com uma profundidade de 560 mm, certifique-se de que o cabo de alimentação está colocado num dos lados do frigorífico antes de ligar a uma tomada. Se o cabo de alimentação estiver na traseira do frigorífico, poderá reduzir a eficiência energética.

## Tipo de armário

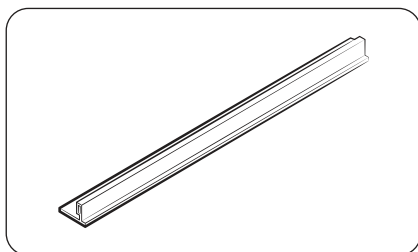
O tipo de armário recomendado é um dos seguintes:



### NOTA

Se estiver a utilizar qualquer um destes tipos de armários, não é necessário retirar a unidade principal do armário para a reparação de um PBA principal danificado. Se estiver a utilizar outro tipo de armário, terá de remover a unidade principal desse armário para reparação.

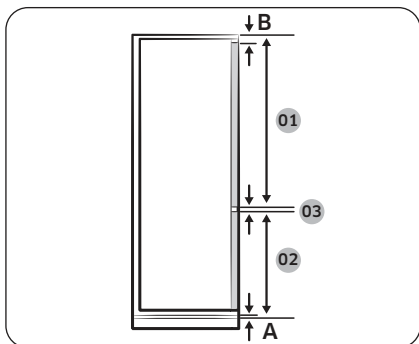
- A. Tipo de encaixe
- B. Tipo deslizante



### NOTA

- A utilização de um armário com um tamanho não recomendado pode fazer com que o vedante entre o frigorífico e o armário fique solto após o frigorífico ser inserido no armário.

# Instalação



## NOTA

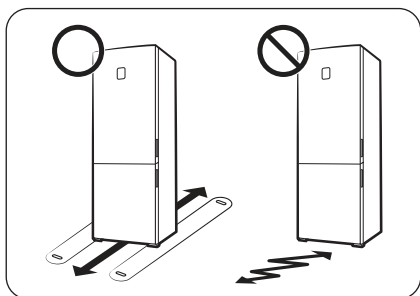
Para instalar um armário que requer um espaço de 3 mm (03), consulte a tabela de referência do armário abaixo.

| Modelo | BRB***26**SO<br>TIPO DESLIZANTE                          | BRB***26**FO<br>TIPO FIXO  |
|--------|--|----------------------------|
| 01     | Mín. 1041+B<br>Máx. 1102+B                               | Mín. 1063+B<br>Máx. 1076+B |
| 02     | Mín. 670+A<br>Máx. 731+A                                 | Mín. 696+A<br>Máx. 709+A   |
| 03     | 3 mm<br>(espaço da porta do frigorífico e do congelador) |                            |

| Modelo | BRB***30**SO<br>TIPO DESLIZANTE                          | BRB***30**FO<br>TIPO FIXO  |
|--------|--|----------------------------|
| 01     | Mín. 1204+B<br>Máx. 1262+B                               | Mín. 1223+B<br>Máx. 1236+B |
| 02     | Mín. 670+A<br>Máx. 731+A                                 | Mín. 696+A<br>Máx. 709+A   |
| 03     | 3 mm<br>(espaço da porta do frigorífico e do congelador) |                            |

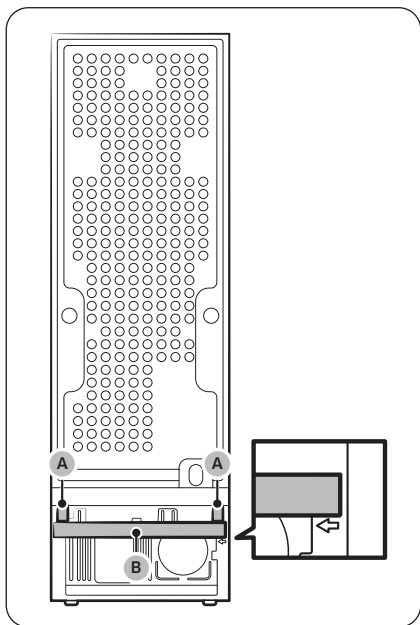
- A. Extremidade inferior do painel dianteiro acima da ventilação de ar
- B. Saliência do painel dianteiro

## PASSO 2 Pavimento



- A superfície de instalação do frigorífico tem de suportar um frigorífico totalmente carregado.
- Para proteger o pavimento, coloque um pedaço grande de cartão por baixo de cada pé do frigorífico.
- Assim que o frigorífico estiver na sua posição final, desloque-o apenas se for necessário, de modo a proteger o pavimento. Se tiver de o fazer, utilize um papel ou tecido grosso como, por exemplo, carpetes usadas, ao longo da trajetória.

## PASSO 3 Espaçamento (apenas nos modelos aplicáveis)



Fixe os espaçadores (A) e a esponja (B) como mostrado na imagem para eficiência energética otimizada.

### ⚠ ATENÇÃO

Se o frigorífico não estiver alinhado com o armário, pode cortar os espaçadores para alinhar, mas não poderá ser garantida uma eficiência energética otimizada.

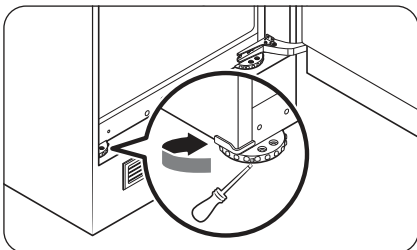
# Instalação

## PASSO 4 Ajustar os pés de nivelamento

### ⚠ ATENÇÃO

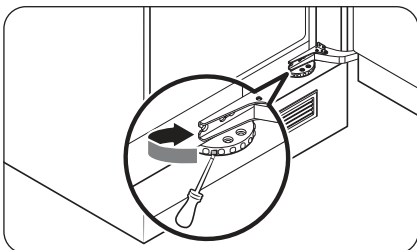
- É necessário nivelar o frigorífico sobre uma superfície plana e resistente. Se não o fizer, pode danificar o frigorífico ou causar ferimentos.
- O nivelamento tem de ser efetuado com o frigorífico vazio. Certifique-se de que não existem alimentos no interior do frigorífico.

É possível nivelar o frigorífico utilizando os pés dianteiros que têm um parafuso especial (nivelador) para efeitos de nivelamento. Utilize uma chave de fendas para efetuar o nivelamento.



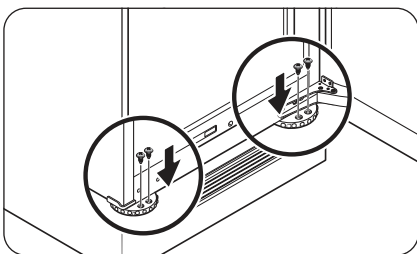
### Para ajustar a altura do lado esquerdo:

Introduza uma chave de fendas no nivelador do pé dianteiro esquerdo. Rode o nivelador para a direita para levantar ou para a esquerda para baixar.



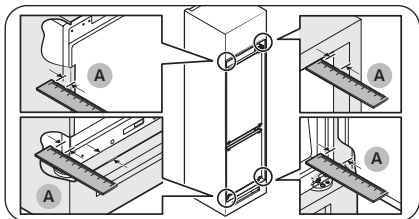
### Para ajustar a altura do lado direito:

Introduza uma chave de fendas no nivelador do pé dianteiro direito. Rode o nivelador para a direita para levantar ou para a esquerda para baixar.



### 📖 NOTA

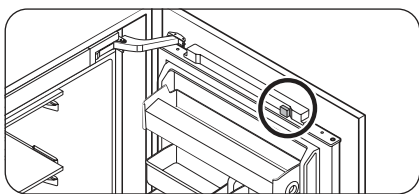
Certifique-se de que existe um espaço de 41 mm (A: para a dobradiça deslizante e a dobradiça fixa) entre o frigorífico e o armário ou nicho. Em seguida, fixe os pés dianteiros utilizando os parafusos.



### PASSO 5 Definições iniciais

Depois de concluídos os seguintes passos, o frigorífico deverá estar totalmente operacional.

1. Retire a película de espuma de polietileno de cada canto da prateleira, colocada para proteger o frigorífico durante o transporte.
2. Abra a porta e verifique se a luz interior se acende.



3. Retire a espuma de polietileno no íman da parte superior da porta.

4. Defina a temperatura para a opção mais fria e aguarde cerca de uma hora. Em seguida, o congelador estará ligeiramente fresco e o motor funcionará de maneira uniforme.
5. Aguarde até que o frigorífico atinja a temperatura definida. Agora o frigorífico está pronto a utilizar.

#### NOTA

Quando o frigorífico se liga, o alarme toca. Para desligar o alarme, carregue em **Freezer (Congelador)** ou em **Fridge (Frigorífico)**.

# Instalação

---

## PASSO 6 Alarme de temperatura (apenas modelos aplicáveis)

---

### Tipo 1

- O frigorífico pisca “- -” no visor da temperatura com um alarme, se o compartimento do congelador estiver demasiado quente. Essa situação pode ocorrer, se o congelador ficar demasiado quente após uma falha de energia.
- Nesse caso, carregue em **Freezer (Congelador)** ou **Fridge (Frigorífico)**. A temperatura mais quente que for apresentada durante 5 segundos. De seguida, é apresentada a temperatura real. Para desativar o alarme, carregue em **Door Alarm (Alarme da porta)**.

### Tipo 2

- O frigorífico pisca o indicador da temperatura com um alarme, se o compartimento do congelador estiver demasiado quente. Essa situação pode ocorrer, se o congelador ficar demasiado quente após uma falha de energia. Para desativar o alarme, carregue em **Freezer (Congelador)** ou em **Fridge (Frigorífico)**.

## PASSO 7 Verificação final

---

Quando a instalação estiver concluída, confirme se:

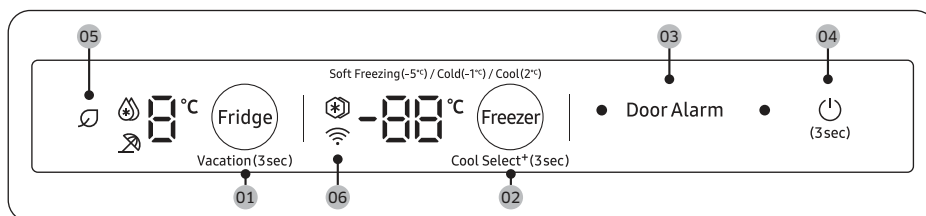
- O frigorífico está devidamente ligado a uma tomada elétrica e à terra.
- O frigorífico está instalado sobre uma superfície plana e nivelada com uma folga razoável em relação à parede ou ao armário.
- O frigorífico está nivelado e bem assente no móvel.
- A porta abre e fecha livremente e a luz interior acende-se automaticamente ao abrir a porta.



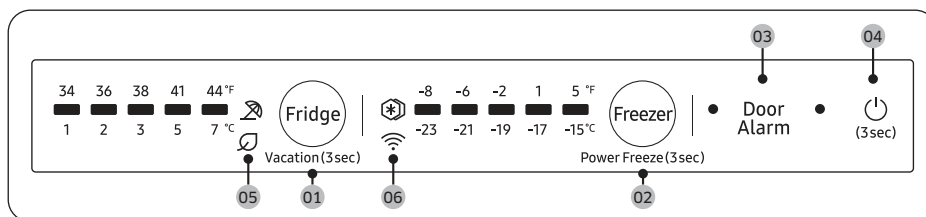
# Operações

## Painel principal

### TIPO 1



### TIPO 2



**01** Fridge (Frigorífico) / Vacation (Férias)

**02** Freezer (Congelador) / Power Freeze (Congelação rápida) / Cool Select+ (Refrigeração selecionável+) \*

**03** Door Alarm (Alarme da porta)

**04** ⏻ (Ligar/Desligar)

**05** AI Energy Mode

**06** Ligação à rede




\* apenas nos modelos aplicáveis

#### 📖 NOTA





Os indicadores LED acendem-se todos ao mesmo tempo quando a porta é aberta ou apagam-se todos quando a porta é fechada.

# Operações

## 01 Frigorífico / Férias (3 s)

|                      |  |
|----------------------|--|
| Fridge (Frigorífico) | <p>Para ajustar a temperatura do frigorífico, carregue em <b>Fridge (Frigorífico)</b> para selecionar a temperatura correspondente.<br/>Pode alterar a temperatura entre 1 °C e 7 °C (predefinição: 3 °C).</p> <p><b>Refrigeração rápida (Tipo 1)</b><br/>Power Cool (Refrigeração rápida) permite acelerar o processo de refrigeração com a ventoinha na velocidade máxima. O frigorífico funciona à velocidade máxima durante duas horas e meia e depois regressa à temperatura anterior.</p> <ul style="list-style-type: none"><li>• Para ativar Power Cool (Refrigeração rápida), selecione a temperatura 1 °C e, em seguida, carregue em <b>Fridge (Frigorífico)</b> para selecionar Power Cool (Refrigeração rápida). O indicador correspondente (  ) acende-se e o frigorífico acelera automaticamente o processo de refrigeração.</li><li>• Para desativar Power Cool (Refrigeração rápida), carregue em <b>Fridge (Frigorífico)</b> novamente. A temperatura do frigorífico será então definida novamente como 7 °C.</li></ul> <p> <b>NOTA</b><br/>A utilização de Power Cool (Refrigeração rápida) aumenta o consumo de energia. Se não pretender utilizar esta função, desative-a e certifique-se de que regressa à temperatura anterior.</p> |
| Vacation (Férias)    | <ul style="list-style-type: none"><li>• Utilize a função Vacation (Férias), se for de férias ou em viagem de negócios, ou se não pretender utilizar o frigorífico durante um longo período de tempo. A temperatura do frigorífico será mantida abaixo de 17 °C, mas o congelador permanece ativo, conforme definido anteriormente.</li><li>• Para ativar ou desativar o modo Vacation (Férias), carregue sem soltar em <b>Fridge (Frigorífico)</b> durante 3 segundos.</li></ul> <p> <b>NOTA</b></p> <ul style="list-style-type: none"><li>• Não se esqueça de retirar os alimentos do frigorífico antes de utilizar o modo Vacation (Férias).</li><li>• O modo Vacation (Férias) é desativado se ajustar a temperatura.</li></ul>  |

## 02 Congelador / Congelação rápida (3 s) / Refrigeração selecionável+ (3 s)

|  |  |
|--|--|
| Freezer<br>(Congelador)                | <p>O botão <b>Freezer (Congelador)</b> pode ser utilizado para definir a temperatura do congelador.</p> <p>As temperaturas disponíveis situam-se entre -15 °C e -23 °C (predefinição: -19 °C).</p> <p> <b>NOTA</b></p> <p>Não é possível alterar a temperatura no modo Cool Select+ (Refrigeração selecionável+).</p>   |
| Power Freeze<br>(Congelação<br>rápida) | <p>Power Freeze (Congelação rápida) permite acelerar o processo de congelação com a ventoinha na velocidade máxima. O congelador funciona na velocidade máxima durante 50 horas e depois regressa à temperatura anterior. Para congelar uma grande quantidade de alimentos, ative Power Freeze (Congelação rápida) pelo menos 20 horas antes de colocar os alimentos no congelador.</p> <p><b>Tipo 1</b></p> <ul style="list-style-type: none"><li>• Para ativar Power Freeze (Congelação rápida), selecione a temperatura -23 °C e, em seguida, carregue em <b>Freezer (Congelador)</b> para selecionar Power Freeze (Congelação rápida).<br/>O indicador correspondente (  ) acende-se e o frigorífico acelera automaticamente o processo de congelação.</li><li>• Quando o processo de Power Freeze (Congelação rápida) estiver concluído, o indicador correspondente apaga-se e o congelador volta à definição de temperatura anterior.</li><li>• Para desativar Power Freeze (Congelação rápida), carregue em <b>Freezer (Congelador)</b> novamente.<br/>O congelador regressa à definição de temperatura anterior.</li></ul> <p><b>Tipo 2</b></p> <ul style="list-style-type: none"><li>• Para ativar Power Freeze (Congelação rápida), carregue sem soltar em <b>Freezer (Congelador)</b> durante 3 segundos para selecionar Power Freeze (Congelação rápida).<br/>O indicador correspondente (  ) acende-se e o frigorífico acelera automaticamente o processo de congelação.</li><li>• Para desativar Power Freeze (Congelação rápida), carregue sem soltar em <b>Freezer (Congelador)</b> durante 3 segundos novamente.<br/>O congelador regressa à definição de temperatura anterior e o indicador apaga-se.</li></ul> <p> <b>NOTA</b></p> <p>A utilização de Power Freeze (Congelação rápida) aumenta o consumo de energia. Se não pretender utilizar esta função, desative-a e certifique-se de que regressa à temperatura anterior.</p> |

# Operações

|   |  |
|---|--|
| <p>Cool Select+ (Refrigeração selecionável+) (Tipo 1)</p> | <p>Sempre que carregar sem soltar no botão <b>Cool Select+ (Refrigeração selecionável+)</b> durante 3 segundos, o modo de funcionamento muda, segundo esta ordem:<br/>Freeze (Congelação) → Soft Freezing (Congelação suave) (-5 °C) → Cold (Frio) (-1 °C) → Cool (Refrigeração) (2 °C)</p> <p><b>⚠ ATENÇÃO</b></p> <ul style="list-style-type: none"><li>• Se mudar o modo de Freezer (Congelador) para Cool Select+ (Refrigeração selecionável+), os alimentos armazenados podem perder líquidos ou sumos.</li><li>• Não conserve carne ou peixe por um período prolongado no modo Cool Select+ (Refrigeração selecionável+). Os alimentos podem congelar ou estragar-se devido a regulações de temperatura não adequadas para a conservação dos alimentos.</li><li>• Se o frigorífico recuperar energia após um período de inatividade prolongado, as predefinições de fábrica de Cool Select+ (Refrigeração selecionável+) poderão ser repostas. Verifique as definições de Cool Select+ (Refrigeração selecionável+) antes de utilizar o frigorífico.</li></ul> |
|---|--|

## 03 Alarme da porta


|                                     |  |
|-------------------------------------|--|
| <p>Door Alarm (Alarme da porta)</p> | <p>Pode definir o alarme para emitir um alerta. Se deixar a porta aberta durante mais de 2 minutos, o alarme toca e o indicador do alarme pisca.</p> <p>Pode alternar entre ativar e desativar o alarme carregando em <b>Door Alarm (Alarme da porta)</b>.</p> |
|-------------------------------------|--|

## 04 (Ligar/Desligar)

Para ligar o frigorífico, carregue sem soltar em  durante 3 segundos.

Se carregar sem soltar em  durante 3 segundos novamente, o frigorífico é desligado e as lâmpadas apagam-se.

## 05 AI Energy Mode (apenas nos modelos aplicáveis)

O ícone  aparece quando o AI Energy Mode está ativado. Pode ativar ou desativar o AI Energy Mode na aplicação SmartThings. (apenas nos modelos aplicáveis)

## 06 Ligação à rede (apenas nos modelos aplicáveis)

Pode controlar e monitorizar o frigorífico na aplicação SmartThings. Para obter mais informações, consulte a secção **SmartThings (apenas nos modelos aplicáveis)**.

### **NOTA**

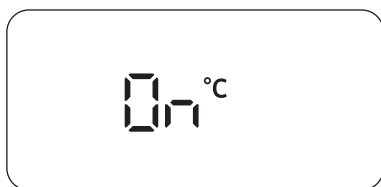
Se o frigorífico não for ligado à aplicação SmartThings, o ícone do Wi-Fi (📶) pisca para avisá-lo. Se vir o ícone do Wi-Fi (📶) a piscar, recomendamos a ligação do frigorífico à aplicação SmartThings.

### Ligar ou desligar o Wi-Fi (apenas nos modelos aplicáveis)

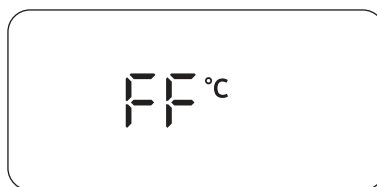
#### Tipo 1

Para ligar ou desligar o Wi-Fi, toque sem soltar **Fridge (Frigorífico)** durante 10 segundos. O visor mostra o estado do Wi-Fi durante 5 segundos (como mostrado na imagem).

Wi-Fi ligado



Wi-Fi desligado



#### Tipo 2

Para ligar ou desligar o Wi-Fi, carregue sem soltar em **Fridge (Frigorífico)** durante 10 segundos. O ícone do Wi-Fi (📶) mostra o estado do Wi-Fi, conforme apresentado abaixo.

- Wi-Fi desligado: o ícone do Wi-Fi (📶) pisca durante 5 segundos e, em seguida, apaga-se.
- Wi-Fi ligado: o ícone do Wi-Fi (📶) pisca durante 5 segundos e, em seguida, acende-se durante 5 segundos.

### **NOTA**

- Ao configurar o Wi-Fi para ligar o frigorífico à aplicação SmartThings, as funções de Wi-Fi ligado/desligado são ativadas.
- Para obter mais informações, consulte a secção **SmartThings (apenas nos modelos aplicáveis)**.

# Operações

---

## SmartThings (apenas nos modelos aplicáveis)

---

### Instalação

Visite a Google Play Store, a Galaxy Apps ou a Apple App Store e pesquise por "SmartThings". Transfira e instale a aplicação SmartThings fornecida pela Samsung Electronics no seu dispositivo inteligente.

#### NOTA

- A versão de software de suporte da aplicação SmartThings está sujeita a alterações de acordo com a política de suporte de SO que o fabricante fornece. Além disso, relativamente à aplicação SmartThings ou às funções que a aplicação suporta, a nova política de atualização de aplicações sobre a versão de SO existente pode ser suspensa por motivos de usabilidade ou de segurança.
- A aplicação SmartThings está sujeita a alterações sem aviso prévio para melhorar a usabilidade ou o desempenho. Uma vez que a versão de SO do telemóvel é atualizada todos os anos, a aplicação SmartThings também é continuamente atualizada de acordo com o SO mais recente. Se tiver questões sobre os itens acima mencionados, entre em contacto connosco através do endereço [st.service@samsung.com](mailto:st.service@samsung.com)
- Os sistemas de encriptação recomendados incluem WPA/TKIP e WPA2/AES. Não são suportados protocolos de autenticação de Wi-Fi mais recentes ou não padronizados.
- As redes sem fios podem ser afetadas pelo ambiente de comunicação sem fios circundante.
- Se o seu fornecedor de serviço de Internet registou o endereço MAC do seu PC ou modem para efeitos de identificação, poderá não conseguir ligar o seu frigorífico Samsung Smart à Internet. Se isso acontecer, contacte o seu fornecedor de serviço de Internet para obter assistência técnica.
- As definições de firewall do seu sistema de rede podem estar a impedir o acesso do frigorífico Samsung Smart à Internet. Contacte o seu fornecedor de serviço de Internet para obter assistência técnica. Se este sintoma continuar, contacte um centro de assistência ou revendedor Samsung local.
- Para configurar as definições do ponto de acesso (AP) sem fios, consulte o manual do utilizador do AP (router).
- Os frigoríficos Samsung Smart suportam os protocolos Wi-Fi 2,4 GHz com IEEE 802.11 b/g/n e Soft-AP. (É recomendado IEEE 802.11 n.)
- Os routers sem fios Wi-Fi não autorizados poderão não ligar aos frigoríficos Samsung Smart aplicáveis.

---

## Conta Samsung

Tem de registar a sua conta Samsung para poder utilizar a aplicação. Se não tem uma conta Samsung, siga as instruções no ecrã da aplicação para criar uma conta Samsung gratuita.

## Introdução

Ligue o dispositivo que pretende ligar, abra a aplicação SmartThings no telefone e siga as instruções abaixo.

Se for apresentada uma mensagem pop-up a informar que foi encontrado um novo dispositivo, toque em **ADD NOW (ADICIONAR AGORA)**.

Se não for apresentada uma mensagem pop-up, toque no botão + e selecione o dispositivo que pretende ligar a partir da lista de dispositivos disponíveis.

Se o seu dispositivo não estiver na lista de dispositivos disponíveis, toque em **Supported Devices (Dispositivos suportados)**, selecione o tipo de dispositivo (frigorífico) e, em seguida, selecione o modelo de dispositivo específico.

Siga as instruções na aplicação para configurar o dispositivo. Depois de concluída a configuração, o frigorífico irá aparecer como um "cartão" no ecrã **Devices (Dispositivos)**.

## Controlo integrado


Pode monitorizar e controlar o seu frigorífico em casa e remotamente, onde quer que esteja.

- Toque no ícone do frigorífico no painel da aplicação SmartThings ou toque no ícone de dispositivos na parte inferior do painel e, em seguida, toque no "cartão" do frigorífico para abrir a página Refrigerator (Frigorífico).
- Verifique o estado de funcionamento ou as notificações relacionadas com o frigorífico e altere opções ou definições, se necessário.

### **NOTA**

Algumas opções ou definições do frigorífico podem não estar disponíveis para controlo remoto.

# Operações

| Categoria                                      | Item  | Descrição  |
|--|---|--|
| Monitorização                                  | Temperatura do frigorífico  | Apresenta a definição atual da temperatura do frigorífico.                                       |
|  | Temperatura do congelador   | Apresenta a definição atual da temperatura do congelador.  |
| Funções  | Refrigeração rápida (apenas nos modelos aplicáveis)   | Pode ligar ou desligar a função Refrigeração rápida e verificar as definições atuais.            |
|  | Congelação rápida   | Pode ligar ou desligar a função Congelação rápida e verificar as definições atuais.              |
|  | Temperatura do frigorífico  | Pode definir a temperatura pretendida do frigorífico.  |
|  | Temperatura do congelador   | Pode definir a temperatura pretendida do congelador.   |
| Alarmes  | Temperatura anormalmente elevada  | Este alarme dispara quando o frigorífico ou o congelador tem temperaturas anormalmente elevadas. |
|  | Abertura da porta   | Este alarme dispara se a porta permanecer aberta durante mais de 2 minutos.                      |
| AI Energy Mode (apenas nos modelos aplicáveis) | Pode ativar ou desativar o AI Energy Mode no menu Energy da aplicação SmartThings.<br>Pode verificar o estado do AI Energy Mode na aplicação SmartThings.<br>Nalguns modelos, o ícone  aparece no painel principal para indicar que o AI Energy Mode está ativado. (apenas nos modelos aplicáveis)<br>A ativação do AI Energy Mode reduz o consumo de energia, mas também pode reduzir o desempenho de refrigeração. |  |

## Informações sobre atualizações de segurança

As atualizações de segurança são fornecidas para reforçar a segurança do seu dispositivo e proteger as suas informações pessoais. Para obter mais informações sobre atualizações de segurança, visite <https://security.samsungda.com>.

\* O website suporta apenas alguns idiomas.



## Informações sobre armazenamento



Os números apresentados na secção inferior da imagem indicam o período de armazenamento do alimento imediatamente acima. Por exemplo, 4 a 6 meses para o peixe.

### Para congelar alimentos

1. Embrulhe os alimentos de forma hermeticamente fechada com materiais adequados.
2. Feche hermeticamente a embalagem.
3. Etiquete a embalagem com o conteúdo e a data.

### Materiais de embalagem

- Materiais adequados para embalar alimentos: película de plástico, película de alta densidade, papel de alumínio e recipientes para congelador.
- Materiais não adequados para embalar alimentos: papel de embrulho, papel vegetal, celofane, sacos do lixo e sacos de compras usados.

### Materiais de vedação

Elásticos, molas de plástico, atilhos, fita adesiva resistente ao frio ou semelhante. Os sacos e a película de polietileno de alta densidade podem ser hermeticamente fechados com uma máquina para fecho de sacos.

# Operações

---

## Período de armazenamento de alimentos congelados

O período de armazenamento é diferente consoante o tipo de alimentos e as temperaturas de armazenamento. A especificação que se segue baseia-se numa temperatura de  $-18^{\circ}\text{C}$  ( $0^{\circ}\text{F}$ ):

- Aves frescas (frango inteiro), carne fresca (bifes, carne para assar): até 12 meses
- Peixe (peixe magro, peixe cozinhado), camarão fresco, vieiras, choco/lula: até 6 meses
- Pizza, enchidos: até 2 meses

### NOTA

Para obter mais informações, visite o website da FDA (<http://www.fda.gov/>).

## Descongelação

É possível descongelar os alimentos congelados das seguintes formas:

- Naturalmente, à temperatura ambiente
- Naturalmente, no frigorífico
- Utilizando um forno elétrico, com ou sem aquecimento
- Utilizando um forno micro-ondas

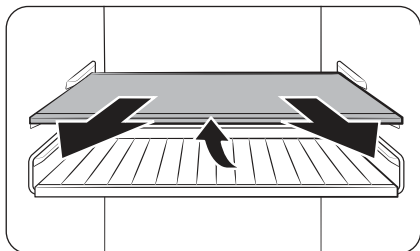
### NOTA

- Não volte a congelar alimentos descongelados. Algumas partes do alimento podem não congelar completamente.
- Não conserve alimentos congelados por mais tempo do que o período de armazenamento máximo.

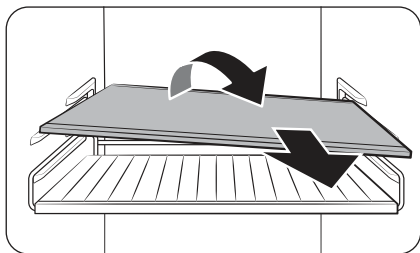
# Manutenção

## Manuseamento e cuidado

### Prateleiras (frigorífico/congelador) / Prateleira para vinhos (apenas modelos aplicáveis)



1. Puxe a prateleira (ou prateleira para vinhos) ligeiramente para fora. Em seguida, enquanto levanta o lado de trás, puxe para fora.

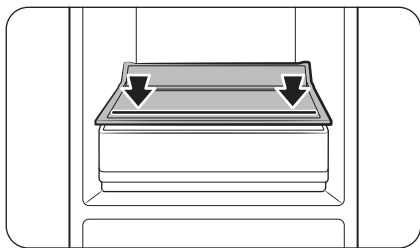


2. Rode a prateleira (ou prateleira para vinhos) na diagonal para retirá-la.

#### ⚠ ATENÇÃO

- A prateleira tem de ser introduzida corretamente. Não a introduza ao contrário.
- Os recipientes de vidro podem riscar a superfície das prateleiras de vidro.
- Não insira uma prateleira na posição da prateleira para vinhos. Tal poderá danificar o frigorífico. (apenas nos modelos aplicáveis)

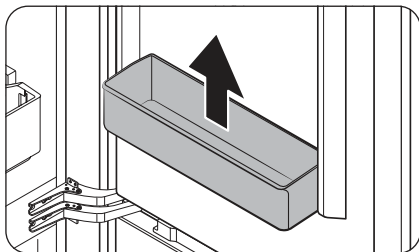
### Prateleira dos vegetais (apenas nos modelos aplicáveis)



- Se o seu modelo tiver apenas uma gaveta no frigorífico, a prateleira dos vegetais mesmo por cima da gaveta tem uma linha impressa. Ao guardar alimentos na prateleira dos vegetais, certifique-se de que os coloca atrás da linha impressa.

# Manutenção

## Compartimento da porta do frigorífico / Compartimento da porta para diversos produtos

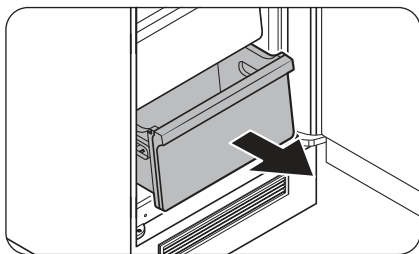


Segure o compartimento da porta com ambas as mãos e, em seguida, levante para retirar.

### ⚠ ATENÇÃO

Para evitar acidentes, esvazie os compartimentos da porta antes de os retirar.

## Gaveta de frigorífico / Gaveta do congelador



Levante cuidadosamente a parte da frente da gaveta e faça-a deslizar para fora.

---

## Limpeza

---

### Interior e exterior

#### AVISO

- Não utilize benzeno, diluente, vinagre, lixívia líquida, bicarbonato de sódio, citrinos, misturas de sal ou detergentes para casa/carro, como o Clorox™, para efeitos de limpeza. Estes podem danificar a superfície do frigorífico e provocar um incêndio.
- Não pulverize água no frigorífico. Pode provocar choques elétricos.

Utilize regularmente um pano seco para remover todas as substâncias estranhas, como pó ou água, dos pontos de contacto e dos terminais da ficha de alimentação.

1. Retire o cabo de alimentação da tomada.
2. Utilize um pano macio sem fibras ou um toalhete de papel humedecido para limpar o interior e o exterior do frigorífico.
3. Quando terminar, utilize um pano ou toalhete de papel seco para secar bem.
4. Introduza o cabo de alimentação na tomada.

---

## Substituição

---

### Lâmpadas LED

Para substituir as lâmpadas do frigorífico, contacte um centro de assistência técnica local da Samsung.

#### AVISO

- As lâmpadas não podem ser substituídas pelo utilizador. Não tente substituí-las sozinho. Pode causar choques elétricos.

### Lâmpada (fonte de luz)

Este produto contém uma fonte de luz de classe de eficiência energética <G>.

As lâmpadas e/ou os dispositivos de controlo não podem ser substituídos(as) pelo utilizador. Para a substituição de lâmpadas e/ou dispositivos de controlo do produto, contacte um centro de assistência técnica local da Samsung.

Para obter instruções detalhadas sobre a substituição de lâmpadas ou dispositivos de controlo do produto, visite o site da Samsung (<http://www.samsung.com>), vá para Support > Support home (Suporte > Página de produto) e introduza o nome do modelo.

Para obter instruções detalhadas sobre a remoção de lâmpadas e/ou dispositivos de controlo, basta seguir as instruções de substituição conforme descrito acima.

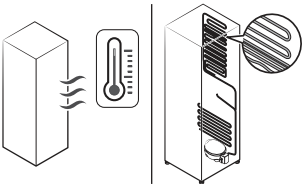
# Resolução de problemas

Antes de telefonar para a assistência técnica, reveja os pontos de verificação abaixo. Quaisquer chamadas de assistência relacionadas com situações normais (sem serem casos de avaria) serão cobradas aos utilizadores.

## Geral

### Temperatura

| Sintoma   | Causas possíveis  | Solução   |
|---|---|---|
| O frigorífico/<br>congelador não<br>funciona.<br>A temperatura do<br>frigorífico/congelador<br>está quente. | • O cabo de alimentação não está bem ligado na tomada.  | • Ligue o cabo de alimentação corretamente à tomada.  |
|   | • O controlo de temperatura não está definido corretamente.   | • Defina a temperatura para um nível mais baixo.  |
|   | • O frigorífico está posicionado junto de uma fonte de calor ou exposto à luz solar direta.                   | • Mantenha o frigorífico afastado da luz solar direta ou de uma fonte de calor.                             |
|   | • Não há espaço suficiente entre o frigorífico e as laterais/parte de trás.                                   | • Certifique-se de que existe, pelo menos, um espaço de 7 mm até às paredes traseira e laterais do armário. |
|   | • O modo Vacation (Férias) está ativado.  | • Desative o modo Vacation (Férias).  |
|   | • O frigorífico está sobrecarregado. Os alimentos estão a bloquear as aberturas de ventilação do frigorífico. | • Não sobrecarregue o frigorífico. Não deixe os alimentos bloquearem a ventilação.                          |
| O frigorífico/<br>congelador está a<br>refrigerar em excesso.   | • O controlo de temperatura não está definido corretamente.   | • Defina a temperatura para um nível mais alto.   |

| Sintoma                        | Causas possíveis   | Solução  |
|--------------------------------|--|--|
| A parede interior está quente. | <ul style="list-style-type: none"> <li>O frigorífico tem tubagem à prova de calor na parede interior.</li> </ul> | <ul style="list-style-type: none"> <li>Para evitar a formação de condensação, os cantos frontais do frigorífico estão equipados com tubos resistentes ao calor. Se a temperatura ambiente subir, este equipamento pode não funcionar eficazmente. Não se trata de uma avaria do sistema.</li> </ul>  |

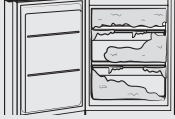
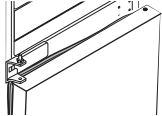
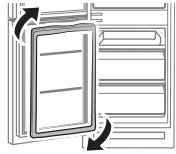
## Cheiros

| Sintoma                    | Causas possíveis  | Solução  |
|----------------------------|---|--|
| O frigorífico tem cheiros. | <ul style="list-style-type: none"> <li>Comida estragada.</li> </ul>             | <ul style="list-style-type: none"> <li>Limpe o frigorífico e retire os alimentos estragados.</li> </ul>  |
|                            | <ul style="list-style-type: none"> <li>Alimentos com cheiros fortes.</li> </ul> | <ul style="list-style-type: none"> <li>Certifique-se de que os alimentos de cheiro forte estão embrulhados e hermeticamente fechados.</li> </ul> |

## Gelo

| Sintoma                                   | Causas possíveis  | Solução   |
|---|---|---|
| Gelo à volta das aberturas de ventilação. | <ul style="list-style-type: none"> <li>Os alimentos estão a bloquear as aberturas de ventilação.</li> </ul>             | <ul style="list-style-type: none"> <li>Certifique-se de que não há alimentos a bloquear as aberturas de ventilação do frigorífico.</li> </ul> |
| Gelo nas paredes interiores.              | <ul style="list-style-type: none"> <li>A porta não fica bem fechada.</li> </ul>   | <ul style="list-style-type: none"> <li>Atenção para não haver alimentos a impedir o fecho da porta. Limpe a borracha da porta.</li> </ul>     |
| As frutas ou os legumes congelam.         | <ul style="list-style-type: none"> <li>As frutas ou os legumes estão guardados na Zona de refrigeração/chef.</li> </ul> | <ul style="list-style-type: none"> <li>A Zona de refrigeração/chef destina-se apenas a carne/peixe.</li> </ul>                                |

## Resolução de problemas

| Sintoma   | Causas possíveis   | Solução   |
|---|--|---|
| <p>Gelo em excesso acumulado no congelador.</p>  | <ul style="list-style-type: none"> <li>A porta não fecha devidamente porque o vedante não foi invertido após a inversão das portas.</li> </ul>  | <ul style="list-style-type: none"> <li>Solte o vedante da porta, rode-o a 180° e volte fixá-lo.</li> </ul>  |

### Condensação

| Sintoma   | Causas possíveis   | Solução  |
|---|--|--|
| <p>Forma-se condensação nas paredes interiores.</p> | <ul style="list-style-type: none"> <li>Se deixar a porta do frigorífico aberta, a humidade entra.</li> </ul> | <ul style="list-style-type: none"> <li>Elimine a humidade e não tenha a porta aberta durante muito tempo.</li> <li>Certifique-se de que os alimentos estão embrulhados e hermeticamente fechados.</li> </ul> |
|   | <ul style="list-style-type: none"> <li>Alimentos com elevado teor de humidade.</li> </ul>                    |  |

### Alarme

| Sintoma                | Causas possíveis   | Solução  |
|------------------------|--|--|
| <p>Toca um alarme.</p> | <ul style="list-style-type: none"> <li>Se deixar a porta aberta durante mais de dois minutos, o alarme toca até fechar a porta.</li> </ul> | <ul style="list-style-type: none"> <li>Carregue num botão qualquer para desligar o alarme. Contacte um centro de assistência técnica local da Samsung se o alarme voltar a tocar passadas 12 horas.</li> </ul> |

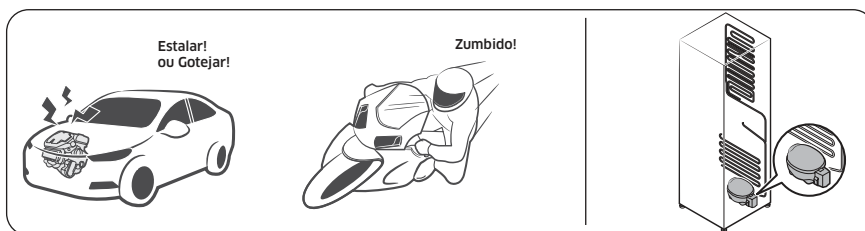


## Ouve sons estranhos vindos do frigorífico?

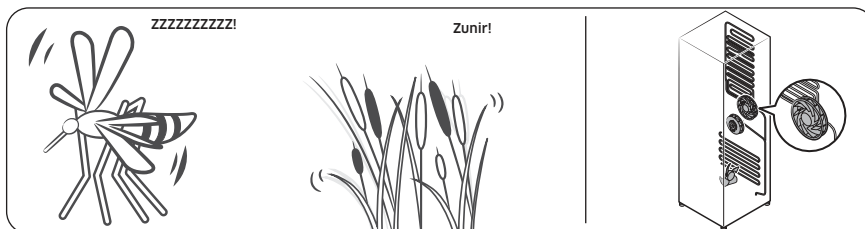
Antes de telefonar para a assistência técnica, reveja os pontos de verificação abaixo. Quaisquer chamadas de assistência relacionadas com sons normais serão cobradas ao utilizador.

### Estes sons são normais.

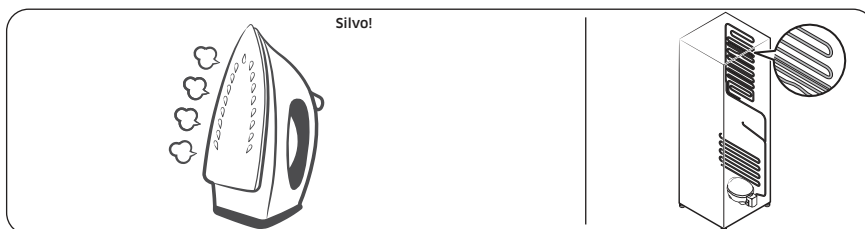
- Quando o frigorífico inicia ou termina uma operação, pode fazer sons semelhantes ao motor de um carro a arrancar. À medida que o funcionamento estabiliza, os sons diminuem.



- Estes sons podem ocorrer durante o funcionamento da ventoinha. Quando o frigorífico atinge a temperatura definida, a ventoinha deixa de produzir sons.

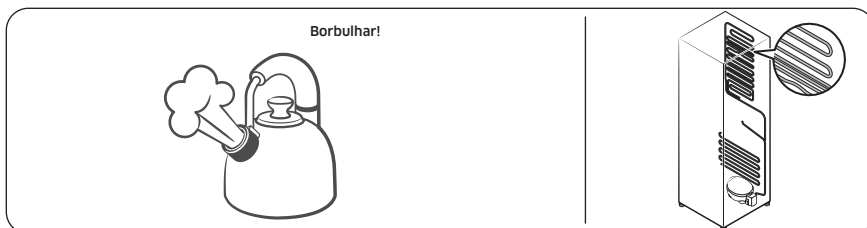


- Durante um ciclo de descongelação, a água pode pingar em cima do aquecedor de descongelação originando sons de água a ferver.

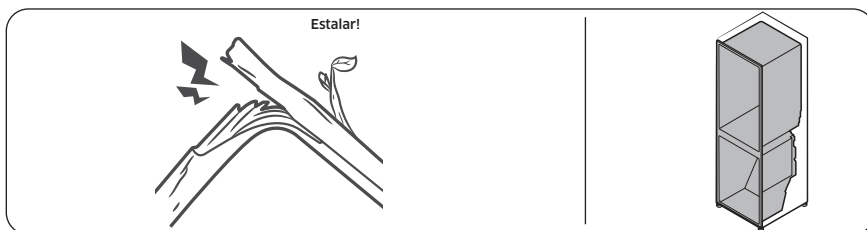


## Resolução de problemas

- À medida que o frigorífico refrigera ou congela, o gás refrigerante move-se através de tubos selados, causando um som de borbulhar.




- À medida que a temperatura do frigorífico aumenta ou diminui, as peças de plástico contraem ou expandem, criando sons semelhantes a batidas. Estes ruídos ocorrem durante o ciclo de descongelação ou quando as peças electrónicas estão a funcionar.



- Para modelos com módulo de produção de gelo: Quando a válvula de água abre para encher o módulo de produção de gelo, poderão ouvir-se zumbidos.
- Devido à equalização de pressão quando se abre e fecha a porta do frigorífico, poderá ouvir-se um ruído semelhante a um sopro forte.

## SmartThings (apenas nos modelos aplicáveis)

| Sintoma   | Ação  |
|---|---|
| Não foi possível encontrar a "SmartThings" no mercado das aplicações.   | <ul style="list-style-type: none"><li>A versão de software de suporte da aplicação SmartThings está sujeita a alterações de acordo com a política de suporte de SO que o fabricante fornece. Além disso, relativamente à aplicação SmartThings ou às funções que a aplicação suporta, a nova política de atualização de aplicações sobre a versão de SO existente pode ser suspensa por motivos de usabilidade ou de segurança.</li></ul>     |
| A aplicação SmartThings não funciona.   | <ul style="list-style-type: none"><li>A aplicação SmartThings está disponível apenas para os modelos aplicáveis.</li><li>A antiga aplicação Samsung Smart Refrigerator não se liga aos modelos Samsung Smart Home.</li></ul>  |
| A aplicação SmartThings está instalada mas não está ligada ao meu frigorífico.  | <ul style="list-style-type: none"><li>Tem de iniciar sessão na sua conta Samsung para utilizar a aplicação.</li><li>Confirme se o seu router está a funcionar normalmente.</li><li>Se o ícone de Wi-Fi no visor do frigorífico estiver desligado, significa que ainda não foi estabelecida ligação à rede. Neste caso, utilize a aplicação SmartThings para ligar e registar o seu frigorífico ao ponto de acesso (AP) em sua casa.</li></ul> |
| Não consegui iniciar sessão na aplicação.   | <ul style="list-style-type: none"><li>Tem de iniciar sessão na sua conta Samsung para utilizar a aplicação.</li><li>Se não tem uma conta Samsung, siga as instruções no ecrã da aplicação para criar uma.</li></ul>   |
| É apresentada uma mensagem de erro quando tento registar o meu frigorífico.   | <ul style="list-style-type: none"><li>A funcionalidade Easy Connection (Ligação simples) pode falhar devido à distância a que se encontra do seu ponto de acesso (AP) ou à interferência elétrica do ambiente circundante. Espere um momento e tente novamente.</li></ul>   |
| A aplicação SmartThings foi ligada com sucesso ao meu frigorífico mas não funciona.                                     | <ul style="list-style-type: none"><li>Saia e reinicie a aplicação SmartThings ou desligue e volte a ligar o router.</li><li>Desligue o frigorífico e volte a ligá-lo após 1 minuto.</li></ul>   |
| O ícone do Wi-Fi está a piscar. (  ) | <ul style="list-style-type: none"><li>Ligue o frigorífico à aplicação SmartThings antes de utilizar. Se a ligação for bem feita, o indicador deixa de piscar.<ul style="list-style-type: none"><li>Se não conseguir fazer a ligação ou não quiser utilizar a aplicação, carregue sem soltar o botão <b>Fridge (Frigorífico)</b> durante 10 segundos. O indicador deixa de piscar.</li></ul></li></ul>   |

# Apêndice

## Instrução de segurança

- Para uma utilização mais eficiente da energia, mantenha todos os acessórios internos, tais como cestos, gavetas, prateleiras e cusetes, na posição definida pelo fabricante.

## Instrução de instalação

### Para aparelhos de refrigeração com classe climática

Dependendo da classe climática, este aparelho de refrigeração destina-se a ser utilizado no intervalo de temperaturas ambiente, como especificado na seguinte tabela.

A classe climática pode ser encontrada na placa sinalética. O produto poderá não funcionar corretamente a temperaturas fora do intervalo específico.

Pode encontrar a classe climática na etiqueta no interior do frigorífico

### Intervalo de temperaturas efectivo

O frigorífico foi concebido para funcionar normalmente no intervalo de temperaturas especificado na respectiva placa de características.

| Classe             | Símbolo | Intervalo de temperaturas ambiente (°C) |           |
|--------------------|---------|---|-----------|
|                    |         | IEC 62552 (ISO 15502)                   | ISO 8561  |
| Temperada alargada | SN      | +10 a +32                               | +10 a +32 |
| Temperada          | N       | +16 a +32                               | +16 a +32 |
| Sub-tropical       | ST      | +16 a +38                               | +18 a +38 |
| Tropical           | T       | +16 a +43                               | +18 a +43 |

### NOTA

O desempenho de refrigeração e o consumo de energia do frigorífico podem ser afectados pela temperatura ambiente, pela frequência de abertura da porta e pela localização do aparelho. Recomendamos o ajuste das definições de temperatura conforme adequado.

## Instrução de temperatura

### Temperatura recomendada

Definição de temperatura ideal para conservação de alimentos:

- Fridge (Frigorífico): 3 °C
- Freezer (Congelador): -19 °C

#### NOTA

A definição de temperatura ideal para cada compartimento depende da temperatura ambiente. Esta temperatura ideal baseia-se numa temperatura ambiente de 25 °C.

### Refrigeração rápida

O botão Refrigeração rápida permite acelerar o processo de refrigeração com a ventoinha na velocidade máxima. O frigorífico funciona à velocidade máxima durante duas horas e meia e depois regressa à temperatura anterior.

### Congelação rápida

O botão Congelação rápida permite acelerar o processo de congelação com a ventoinha na velocidade máxima. O congelador funciona na velocidade máxima durante 50 horas e depois regressa à temperatura anterior. Para congelar uma grande quantidade de alimentos, ative a funcionalidade Congelação rápida durante, pelo menos, 20 horas antes de colocar os alimentos no congelador.

#### NOTA

Se utilizar esta função, o consumo de energia do frigorífico aumentará. Depois de utilizar esta função, certifique-se de que desliga o modo e repõe a definição de temperatura original do congelador.

### Como guardar para melhor conservação (apenas nos modelos aplicáveis)

Tape os alimentos para reter a humidade e impedir que adquiram odores de outros alimentos. O conteúdo de uma panela grande de alimentos, tais como sopa ou guisado, deve ser dividido em pequenas porções e colocado em recipientes rasos antes de ser refrigerado. Uma peça grande de carne ou uma ave inteira deve ser dividida em pequenas porções ou colocada em recipientes rasos antes de ser refrigerada.

### Colocação de alimentos

|   |   |
|---|---|
| Prateleiras   | As prateleiras devem ser ajustáveis para guardar uma grande variedade de embalagens.  |
| Compartimento especializado (apenas nos modelos aplicáveis) | As gavetas dos vegetais herméticas proporcionam um ambiente de armazenamento otimizado para frutas e vegetais. Os vegetais requerem mais humidade, enquanto as frutas requerem menos humidade.<br>Os compartimentos dos vegetais estão equipados com dispositivos para controlar o nível de humidade. (*Dependendo do modelo e das opções) Uma gaveta de carne com temperatura ajustável maximiza o tempo de armazenamento de carnes e queijos. |

# Apêndice

|                             |   |
|-----------------------------|---|
| Armazenamento na porta      | Não guarde os alimentos perecíveis na porta. Os ovos devem ser guardados na embalagem numa prateleira. A temperatura dos compartimentos de armazenamento na porta varia mais do que a temperatura no armário. Mantenha a porta fechada o máximo possível. |
| Compartimento do congelador | Pode guardar alimentos congelados, fazer cubos de gelo e congelar alimentos frescos no compartimento do congelador.   |

## NOTA

Congele apenas alimentos frescos e em bom estado. Separe os alimentos a congelar dos alimentos que já estão congelados. Para evitar que os alimentos percam o seu sabor ou sequem, coloque-os em recipientes hermeticamente fechados.

### Tabela de armazenamento do frigorífico e do congelador

A longevidade da frescura depende da temperatura e exposição à humidade. Uma vez que as datas dos produtos não são guias de utilização segura dos produtos, consulte esta tabela e siga estas sugestões.

#### Laticínios

| Produto            | Frigorífico | Congelador      |
|--------------------|-------------|-----------------|
| Leite              | 1 semana    | 1 mês           |
| Manteiga           | 2 semanas   | 12 meses        |
| Gelado             | -           | 2-3 semanas     |
| Queijo natural     | 1 mês       | 4-6 meses       |
| Queijo para barrar | 2 semanas   | Não recomendado |
| logurte            | 1 mês       | -               |

#### Carne

| Produto                                      | Frigorífico | Congelador |
|--|-------------|------------|
| Carne para assar, bifes e costeletas frescos | 3-4 dias    | 2-3 meses  |
| Carne picada fresca, carne para guisado      | 1-2 dias    | 3-4 meses  |
| Bacon  | 7 dias      | 1 mês      |
| Salsichas, carne crua de porco, vaca, peru   | 1-2 dias    | 1-2 meses  |

#### Aves/ovos

| Produto                 | Frigorífico | Congelador      |
|-------------------------|-------------|-----------------|
| Aves frescas            | 2 dias      | 6-8 meses       |
| Salada de aves          | 1 dia       | -               |
| Ovos frescos, com casca | 2-4 semanas | Não recomendado |

#### Peixe/marisco

| Produto                | Frigorífico | Congelador      |
|------------------------|-------------|-----------------|
| Peixe fresco           | 1-2 dias    | 3-6 meses       |
| Peixe cozinhado        | 3-4 dias    | 1 mês           |
| Salada de peixe        | 1 dia       | Não recomendado |
| Peixe seco ou marinado | 3-4 semanas | -               |

#### Frutas

| Produto            | Frigorífico | Congelador |
|--------------------|-------------|------------|
| Maçãs              | 1 mês       | -          |
| Pêssegos           | 2-3 semanas | -          |
| Ananás             | 1 semana    | -          |
| Outra fruta fresca | 3-5 dias    | 9-12 meses |

#### Vegetais

| Produto   | Frigorífico | Congelador |
|---|-------------|------------|
| Espargos  | 2-3 dias    | -          |
| Brócolos, couves de Bruxelas, ervilhas, cogumelos | 3-5 dias    | -          |
| Couve, couve-flor, aipo, pepino, alface           | 1 semana    | -          |
| Cenouras, beterrabas, rabanetes                   | 2 semanas   | -          |

# Apêndice

---

## Informações sobre o modelo e a encomenda de peças de substituição

---

### Informações sobre o modelo

Para aceder a informações de etiquetagem energética sobre este produto no EPREL (European Product Registry for Energy Labelling, Registo Europeu de Produtos para a Etiquetagem Energética), leia o código QR na etiqueta energética.

O código QR está na etiqueta energética afixada na caixa do produto.

### Informações sobre as peças

- O período mínimo durante o qual as peças de substituição, necessárias para a reparação do aparelho, estão disponíveis
  - 7 anos: termóstatos, sensores de temperatura, placas de circuitos impressos e fontes de luz, pegas das portas, dobradiças das portas, tabuleiros, cestos (caixas ou gavetas)
  - 10 anos: vedantes das portas
- A duração mínima da garantia do aparelho de refrigeração oferecida pelo fabricante é de 24 meses.
- Informações relevantes para a encomenda de peças de substituição, diretamente ou através de outros canais fornecidos pelo fabricante, importador ou representante autorizado
- Pode encontrar informações sobre reparação profissional em <http://samsung.com/support>.  
Pode encontrar o manual de serviço do utilizador em <http://samsung.com/support>.



# Open Source Announcement

---

## Open Source Announcement

---

The software included in this product contains open source software. You may obtain the complete corresponding source code for a period of three years after the last shipment of this product by contacting our support team via <http://opensource.samsung.com> (Please use the "Inquiry" menu.)

It is also possible to obtain the complete corresponding source code in a physical medium such as a CD-ROM; a minimal charge will be required.

The following URL [http://opensource.samsung.com/opensource/COMMON\\_TZ6\\_0/seq/0](http://opensource.samsung.com/opensource/COMMON_TZ6_0/seq/0) leads to the open source license information as related to this product. This offer is valid to anyone in receipt of this information.



# Memo

---

# Memo

---

## NOTA

A Samsung declara, desta forma, que este equipamento de rádio está em conformidade com a Diretiva 2014/53/UE e com os requisitos estatutários relevantes no Reino Unido.

O texto integral da declaração de conformidade da UE e da declaração de conformidade do Reino Unido está disponível no seguinte endereço de Internet: A declaração de conformidade oficial encontra-se disponível em <http://www.samsung.com>. Acesse a Suporte > Procurar suporte do produto e introduza o nome do modelo.

|           | Intervalo de frequência | Potência do transmissor (máx.) |
|-----------|-------------------------|--------------------------------|
| Wi-Fi     | 2412 - 2472 MHz         | 20 dBm                         |
| Bluetooth | 2402 - 2480 MHz         | 20 dBm                         |

|             |   |   |
|-------------|---|---|
| FRANCE      | 01 48 63 00 00  | <a href="http://www.samsung.com/fr/support">www.samsung.com/fr/support</a>  |
| GERMANY     | 06196 77 555 77   | <a href="http://www.samsung.com/de/support">www.samsung.com/de/support</a>  |
| LUXEMBURG   | 261 03 710  | <a href="http://www.samsung.com/be_fr/support">www.samsung.com/be_fr/support</a>  |
| NETHERLANDS | 088 90 90 100   | <a href="http://www.samsung.com/nl/support">www.samsung.com/nl/support</a>  |
| BELGIUM     | 02-201-24-18  | <a href="http://www.samsung.com/be/support">www.samsung.com/be/support</a> (Dutch)<br><a href="http://www.samsung.com/be_fr/support">www.samsung.com/be_fr/support</a> (French) |
| NORWAY      | 21629099  | <a href="http://www.samsung.com/no/support">www.samsung.com/no/support</a>  |
| DENMARK     | 707 019 70  | <a href="http://www.samsung.com/dk/support">www.samsung.com/dk/support</a>  |
| FINLAND     | 030-6227 515  | <a href="http://www.samsung.com/fi/support">www.samsung.com/fi/support</a>  |
| SWEDEN      | 0771-400 300  | <a href="http://www.samsung.com/se/support">www.samsung.com/se/support</a>  |
| CYPRUS      | 8009 4000 only from landline, toll free   | <a href="http://www.samsung.com/gr/support">www.samsung.com/gr/support</a>  |
| GREECE      | 80111-SAMSUNG (80111 726 7864) only from land line<br>(+30) 210 6897691 from mobile and land line |   |
| ITALIA      | 800-SAMSUNG (800.7267864)   | <a href="http://www.samsung.com/it/support">www.samsung.com/it/support</a>  |
| PORTUGAL    | 210 608 098<br>Chamada para a rede fixa nacional<br>Dias úteis das 9h às 20h                      | <a href="http://www.samsung.com/pt/support">www.samsung.com/pt/support</a>  |
| SPAIN       | 91 175 00 15  | <a href="http://www.samsung.com/es/support">www.samsung.com/es/support</a>  |



# Ψυγείο

---

## Εγχειρίδιο χρήσης

---

Εντοιχιζόμενη συσκευή

**SAMSUNG**

# Περιεχόμενα

---

|   |           |
|---|-----------|
| <b>Πληροφορίες για την ασφάλεια</b>                                 | <b>3</b>  |
| Όσα χρειάζεται να γνωρίζετε σχετικά με τις οδηγίες για την ασφάλεια | 3         |
| Σημαντικά σύμβολα ασφάλειας και προφυλάξεις:                        | 5         |
| Σημαντικές προφυλάξεις για την ασφάλεια                             | 6         |
| Σήματα σοβαρής προειδοποίησης για τη μεταφορά και την τοποθέτηση    | 10        |
| Σοβαρές προειδοποιήσεις για την εγκατάσταση                         | 10        |
| Προφυλάξεις για την εγκατάσταση                                     | 14        |
| Σοβαρές προειδοποιήσεις για τη χρήση                                | 15        |
| Προφυλάξεις για τη χρήση  | 19        |
| Προφυλάξεις για τον καθαρισμό                                       | 22        |
| Σοβαρές προειδοποιήσεις για την απόρριψη                            | 23        |
| Πρόσθετες συμβουλές για σωστή χρήση                                 | 24        |
| Οδηγίες σχετικά με την ένδειξη WEEE                                 | 26        |
| <b>Εγκατάσταση</b>  | <b>27</b> |
| Επισκόπηση του ψυγείου  | 27        |
| Εγκατάσταση βήμα προς βήμα  | 28        |
| <b>Λειτουργίες</b>  | <b>39</b> |
| Κύριος πίνακας  | 39        |
| SmartThings (μόνο για τα κατάλληλα μοντέλα)                         | 44        |
| Πληροφορίες φύλαξης   | 47        |
| <b>Συντήρηση</b>  | <b>49</b> |
| Χειρισμός και φροντίδα  | 49        |
| Καθαρισμός  | 51        |
| Αντικατάσταση   | 51        |
| <b>Αντιμετώπιση προβλημάτων</b>                                     | <b>52</b> |
| Γενικά  | 52        |
| Ακούτε μη φυσιολογικούς ήχους από το ψυγείο;                        | 55        |
| SmartThings (μόνο για τα κατάλληλα μοντέλα)                         | 57        |
| <b>Παράρτημα</b>  | <b>58</b> |
| Οδηγίες για την ασφάλεια  | 58        |
| Οδηγίες εγκατάστασης  | 58        |
| Οδηγίες για τη θερμοκρασία  | 59        |
| Πληροφορίες για το μοντέλο και την παραγγελία ανταλλακτικών         | 62        |
| <b>Open Source Announcement</b>                                     | <b>63</b> |
| Open Source Announcement  | 63        |

# Πληροφορίες για την ασφάλεια

Προτού χρησιμοποιήσετε το νέο σας ψυγείο Samsung, διαβάστε προσεκτικά αυτό το εγχειρίδιο για να διασφαλίσετε ότι γνωρίζετε πώς να αξιοποιήσετε τις δυνατότητες και τις λειτουργίες που προσφέρει η νέα σας συσκευή, με ασφάλεια και αποτελεσματικά.

## Όσα χρειάζεται να γνωρίζετε σχετικά με τις οδηγίες για την ασφάλεια

- Οι προειδοποιήσεις και οι σημαντικές οδηγίες για την ασφάλεια που περιλαμβάνονται σε αυτό το εγχειρίδιο δεν καλύπτουν όλες τις πιθανές συνθήκες και καταστάσεις που ενδέχεται να προκύψουν. Αποτελεί δική σας ευθύνη να ακολουθείτε την κοινή λογική και να είστε προσεκτικοί κατά την εγκατάσταση, τη συντήρηση και τη χρήση της συσκευής.
- Επειδή οι παρακάτω οδηγίες λειτουργίας αφορούν διάφορα μοντέλα, τα χαρακτηριστικά του ψυγείου σας ενδέχεται να διαφέρουν ελαφρώς από εκείνα που περιγράφονται σε αυτό το εγχειρίδιο, ενώ ενδέχεται να μην ισχύουν όλα τα σήματα προειδοποίησης. Αν έχετε ερωτήσεις ή προβληματισμούς, επικοινωνήστε με το πλησιέστερο επισκευαστικό κέντρο ή αναζητήστε βοήθεια και πληροφορίες στο Διαδίκτυο, στη διεύθυνση [www.samsung.com](http://www.samsung.com).
- Ως ψυκτικό μέσο χρησιμοποιείται το R-600a ή το R-134a. Ελέγξτε την ετικέτα του συμπιεστή στο πίσω μέρος της συσκευής ή την ετικέτα τεχνικών στοιχείων στο εσωτερικό του ψυγείου για να δείτε ποιο ψυκτικό μέσο χρησιμοποιείται για τη δική σας συσκευή. Σε περίπτωση που αυτό το προϊόν περιέχει εύφλεκτο αέριο (ψυκτικό μέσο R-600a), επικοινωνήστε με την αρμόδια τοπική αρχή για να ενημερωθείτε σχετικά με τον ασφαλή τρόπο απόρριψης αυτού του προϊόντος.
- Προκειμένου να αποτραπεί η δημιουργία ενός εύφλεκτου μείγματος αερίου-αέρα αν προκύψει διαρροή στο κύκλωμα ψύξης, το μέγεθος του χώρου στον οποίο μπορεί να τοποθετηθεί η συσκευή εξαρτάται από τη χρησιμοποιούμενη ποσότητα ψυκτικού μέσου.

## Πληροφορίες για την ασφάλεια

---

- Είναι επικίνδυνο αυτή η συσκευή να επισκευάζεται από οποιοδήποτε άλλο άτομο, εκτός ενός εξουσιοδοτημένου τεχνικού σέρβις.
- Μη θέτετε ποτέ σε λειτουργία μια συσκευή που παρουσιάζει οποιαδήποτε ένδειξη ζημιάς. Αν έχετε αμφιβολίες, συμβουλευτείτε τον τοπικό αντιπρόσωπο. Ο χώρος πρέπει να έχει μέγεθος 1 m<sup>3</sup> για κάθε 8 g ψυκτικού μέσου R-600a που υπάρχουν στο εσωτερικό της συσκευής.  
Η ποσότητα ψυκτικού μέσου που υπάρχει στη δική σας συσκευή αναγράφεται στην πινακίδα αναγνώρισης στο εσωτερικό της συσκευής.
- Το πιτσιλίσμα ψυκτικού μέσου από τους σωλήνες μπορεί να προκαλέσει ανάφλεξη ή τραυματισμό στα μάτια. Αν διαρρεύσει ψυκτικό μέσο από τον σωλήνα, αποφύγετε τυχόν γυμνές φλόγες, απομακρύνετε από το προϊόν οτιδήποτε εύφλεκτο και αερίστε αμέσως τον χώρο.
  - Διαφορετικά, ενδέχεται να προκληθεί πυρκαγιά ή έκρηξη.
- Για την αποτροπή της μόλυνσης των τροφίμων, να εφαρμόζετε τις παρακάτω οδηγίες:
  - Το άνοιγμα της πόρτας για μεγάλα χρονικά διαστήματα μπορεί να προκαλέσει σημαντική αύξηση της θερμοκρασίας στους θαλάμους της συσκευής.
  - Καθαρίζετε τακτικά τις επιφάνειες που μπορούν να έρθουν σε επαφή με τρόφιμα, καθώς και τα προσβάσιμα συστήματα αποστράγγισης.
  - Καθαρίζετε τα δοχεία νερού, αν δεν έχουν χρησιμοποιηθεί επί 48 ώρες. Αν δεν έχει γίνει άντληση νερού επί 5 ημέρες, εκπλύνετε το σύστημα νερού συνδεδεμένο με μια παροχή νερού.



- 
- Φυλάσσετε το ωμό κρέας και ψάρι σε κατάλληλα δοχεία στο ψυγείο, έτσι ώστε να μην έρχονται σε επαφή και να μη στάζουν επάνω σε άλλα τρόφιμα.
  - Οι θάλαμοι κατεψυγμένων τροφίμων δύο αστέρων είναι κατάλληλοι για τη φύλαξη προκατεψυγμένων τροφίμων, για τη φύλαξη ή την παρασκευή παγωτού, καθώς και για την παρασκευή παγακιών.
  - Οι θάλαμοι ενός, δύο και τριών αστέρων δεν είναι κατάλληλοι για την κατάψυξη φρέσκων τροφίμων.
  - Αν η συσκευή ψυγείου θα παραμείνει άδεια για μεγάλο χρονικό διάστημα, απενεργοποιήστε την, κάντε απόψυξη, καθαρίστε την, στεγνώστε την και αφήστε την πόρτα ανοιχτή, έτσι ώστε να αποτραπεί η δημιουργία μούχλας μέσα στη συσκευή.

### Σημαντικά σύμβολα ασφάλειας και προφυλάξεις:

Εφαρμόστε όλες τις οδηγίες για την ασφάλεια που παρέχονται σε αυτό το εγχειρίδιο. Σε αυτό το εγχειρίδιο χρησιμοποιούνται τα παρακάτω σύμβολα ασφάλειας.

#### ΠΡΟΕΙΔΟΠΟΙΗΣΗ

Κίνδυνοι ή μη ασφαλείς πρακτικές που ενδέχεται να προκαλέσουν **σοβαρό τραυματισμό, υλικές ζημιές ή/και θάνατο.**

#### ΠΡΟΣΟΧΗ

Κίνδυνοι ή μη ασφαλείς πρακτικές που ενδέχεται να προκαλέσουν **σοβαρό τραυματισμό ή/και υλικές ζημιές.**

# Πληροφορίες για την ασφάλεια

---

## ΣΗΜΕΙΩΣΗ

Χρήσιμες πληροφορίες που βοηθούν στους χρήστες να κατανοούν τη λειτουργία ή να αξιοποιούν το ψυγείο.

**Σκοπός αυτών των σημάτων προειδοποίησης είναι να μην τραυματιστείτε εσείς ή άλλοι άνθρωποι.**

**Ακολουθήστε τα σχολαστικά.**

**Αφού διαβάσετε αυτή την ενότητα, φυλάξτε την σε ασφαλές μέρος για μελλοντική αναφορά.**

## Σημαντικές προφυλάξεις για την ασφάλεια

---



**ΠΡΟΕΙΔΟΠΟΙΗΣΗ: Κίνδυνος πυρκαγιάς / εύφλεκτα υλικά**

## ΠΡΟΕΙΔΟΠΟΙΗΣΗ

- Όταν τοποθετείτε τη συσκευή, βεβαιωθείτε ότι το καλώδιο ρεύματος δεν έχει παγιδευτεί και δεν έχει υποστεί ζημιά.
- Μην τοποθετείτε πολλαπλά φορητά πολύπριζα ή τροφοδοτικά στο πίσω μέρος της συσκευής.
- Διατηρείτε τα ανοίγματα εξαερισμού που βρίσκονται στο περίβλημα της συσκευής ή στην ενσωματωμένη βάση της ελεύθερα από εμπόδια.
- Μη χρησιμοποιείτε μηχανικές συσκευές ή οποιοδήποτε άλλο μέσο, εκτός από εκείνα που συνιστά ο κατασκευαστής, για να επιταχύνετε τη διαδικασία απόψυξης.
- Μην προκαλείτε ζημιές στο κύκλωμα του ψυκτικού μέσου.

- 
- Μη χρησιμοποιείτε ηλεκτρικές συσκευές μέσα στους θαλάμους φύλαξης τροφίμων της συσκευής, εκτός αν πρόκειται για τύπος συσκευής που συνιστάται από τον κατασκευαστή.
  - Αυτή η συσκευή δεν προορίζεται για χρήση από άτομα (συμπεριλαμβανομένων των παιδιών) με περιορισμένες σωματικές, αισθητηριακές ή νοητικές ικανότητες ή από άτομα με έλλειψη εμπειρίας και γνώσεων, εκτός αν βρίσκονται υπό την επίβλεψη ή ακολουθούν τις οδηγίες σχετικά με τη χρήση της συσκευής που δίνονται από ένα άτομο που είναι υπεύθυνο για την ασφάλειά τους.
  - Αυτή η συσκευή μπορεί να χρησιμοποιηθεί από παιδιά ηλικίας 8 ετών και άνω και από άτομα με περιορισμένες σωματικές, αισθητηριακές ή νοητικές ικανότητες ή με έλλειψη εμπειρίας και γνώσεων, εφόσον βρίσκονται υπό επίβλεψη ή ακολουθούν οδηγίες σχετικά με τη χρήση της συσκευής με ασφαλή τρόπο και κατανοούν τους κινδύνους που ενέχονται. Τα παιδιά απαγορεύεται να παίζουν με τη συσκευή. Ο καθαρισμός και η συντήρηση από τον χρήστη δεν πρέπει να πραγματοποιούνται από παιδιά χωρίς επίβλεψη. Στα παιδιά ηλικίας από 3 έως 8 ετών επιτρέπεται η τοποθέτηση και η αφαίρεση αγαθών από τις συσκευές ψυγείου.
  - Αν το καλώδιο ρεύματος υποστεί ζημιά, πρέπει να αντικατασταθεί από τον κατασκευαστή, τον αντιπρόσωπο σέρβις του ή έναν εξειδικευμένο τεχνικό, προκειμένου να αποφευχθεί τυχόν κίνδυνος.
  - Η πρίζα πρέπει να είναι εύκολα προσβάσιμη, έτσι ώστε η συσκευή να μπορεί να αποσυνδεθεί γρήγορα από την παροχή ρεύματος σε περίπτωση έκτακτης ανάγκης.
    - Πρέπει να βρίσκεται εκτός της περιοχής του πίσω μέρους της συσκευής.
  - Μην αποθηκεύετε εκρηκτικά υλικά, όπως δοχεία αεροζόλ με εύφλεκτες προωθητικές ουσίες, σε αυτή τη συσκευή.

## Πληροφορίες για την ασφάλεια

---

- Αν το προϊόν διαθέτει λυχνίες LED, μην αποσυναρμολογείτε μόνοι σας τα καλύμματα λυχνιών και τις λυχνίες LED.
  - Επικοινωνήστε με ένα επισκευαστικό κέντρο της Samsung.
  - Χρησιμοποιείτε μόνο τις λυχνίες LED που παρέχονται από τον κατασκευαστή ή το τμήμα επισκευών της αντιπροσωπείας του.
- Αν η εσωτερική ή η εξωτερική λυχνία LED σταματήσει να λειτουργεί, επικοινωνήστε με το πλησιέστερο επισκευαστικό κέντρο.
- Για πιο αποδοτική χρήση ενέργειας, να αφήνετε όλα τα εσωτερικά εξαρτήματα όπως καλάθια, συρτάρια και ράφια στη θέση που προβλέπεται από τον κατασκευαστή.
- Για τη βέλτιστη ενεργειακή απόδοση αυτού του προϊόντος, αφήνετε όλα τα ράφια, τα συρτάρια και τα καλάθια στην αρχική τους θέση.

### Ελαχιστοποίηση της κατανάλωσης ενέργειας

- Εγκαταστήστε τη συσκευή σε δροσερό και ξηρό χώρο με επαρκή εξαερισμό.
- Βεβαιωθείτε ότι η συσκευή δεν εκτίθεται σε άμεσο ηλιακό φως και μην την τοποθετείτε ποτέ κοντά σε άμεση πηγή θερμότητας (για παράδειγμα, καλοριφέρ).
  - Για υψηλότερη ενεργειακή απόδοση, συνιστάται να μη φράζετε τα ανοίγματα εξαερισμού ή τις γρίλιες.
  - Αφήνετε τα ζεστά τρόφιμα να κρυώσουν προτού τα τοποθετήσετε μέσα στη συσκευή.
  - Τοποθετείτε τα κατεψυγμένα τρόφιμα στο ψυγείο για να ξεπαγώσουν. Στη συνέχεια, μπορείτε να χρησιμοποιήσετε τις χαμηλές θερμοκρασίες των κατεψυγμένων προϊόντων για να ψύξετε τα τρόφιμα που βρίσκονται στο ψυγείο.
  - Μην αφήνετε την πόρτα της συσκευής ανοιχτή για πολλή ώρα όταν βάζετε ή βγάζετε τρόφιμα από το ψυγείο.

- 
- Όσο λιγότερη ώρα μένει ανοιχτή η πόρτα, τόσο λιγότερος πάγος θα σχηματιστεί στον καταψύκτη.
  - Να καθαρίζετε τακτικά το πίσω μέρος του ψυγείου. Η σκόνη αυξάνει την κατανάλωση ενέργειας.
  - Μην επιλέγετε χαμηλότερη ρύθμιση θερμοκρασίας από όσο είναι απαραίτητο.
  - Εξασφαλίστε επαρκή απαγωγή του αέρα στη βάση και στο πίσω τοίχωμα του ψυγείου. Μην καλύπτετε τα ανοίγματα εξαερισμού.
  - Κατά την εγκατάσταση, να αφήνετε χώρο στα δεξιά, στα αριστερά, στο πίσω και στο επάνω μέρος. Με αυτόν τον τρόπο, θα μειωθεί η κατανάλωση ενέργειας και ο λογαριασμός του ηλεκτρικού ρεύματος θα διατηρείται σε χαμηλά επίπεδα.
  - Επιλέξτε βάθος κοιλώματος 560 mm. Μικρότερο βάθος κοιλώματος θα έχει ως αποτέλεσμα υψηλότερη κατανάλωση ενέργειας.

**Αυτή η συσκευή προορίζεται για οικιακή χρήση και για άλλες παρόμοιες χρήσεις όπως:**

- χρήση σε χώρους κουζίνας προσωπικού καταστημάτων, γραφείων και σε άλλα εργασιακά περιβάλλοντα,
- χρήση σε αγροικίες και από πελάτες σε ξενοδοχεία, μοτέλ και σε άλλα οικιστικά περιβάλλοντα,
- χρήση σε περιβάλλοντα τύπου πανσιόν,
- χρήση για επισιτισμό και άλλες παρόμοιες χρήσεις που δεν σχετίζονται με τη λιανική πώληση.

# Πληροφορίες για την ασφάλεια

---

## Σήματα σοβαρής προειδοποίησης για τη μεταφορά και την τοποθέτηση

---

### ΠΡΟΕΙΔΟΠΟΙΗΣΗ

- Κατά τη μεταφορά και την εγκατάσταση της συσκευής, θα πρέπει να είστε προσεκτικοί προκειμένου να μην υποστεί ζημιά κανένα μέρος του κυκλώματος ψύξης.
  - Η διαρροή ψυκτικού μέσου από τους σωλήνες μπορεί να προκαλέσει ανάφλεξη ή τραυματισμό στα μάτια. Αν εντοπίσετε διαρροή, αποφύγετε τυχόν γυμνές φλόγες ή πιθανές πηγές ανάφλεξης και αερίστε για αρκετά λεπτά τον χώρο στον οποίο βρίσκεται η συσκευή.
  - Αυτή η συσκευή περιέχει ως ψυκτικό μέσο μια μικρή ποσότητα ισοβουτανίου (R-600a). Πρόκειται για ένα φυσικό αέριο με υψηλή περιβαλλοντική συμβατότητα, το οποίο ωστόσο είναι εύφλεκτο. Κατά τη μεταφορά και την εγκατάσταση της συσκευής, θα πρέπει να είστε προσεκτικοί προκειμένου να μην υποστεί ζημιά κανένα μέρος του κυκλώματος ψύξης.

## Σοβαρές προειδοποιήσεις για την εγκατάσταση

---

### ΠΡΟΕΙΔΟΠΟΙΗΣΗ

- Μην εγκαθιστάτε το ψυγείο σε χώρους με υγρασία ή σε μέρη όπου ενδέχεται να έρθει σε επαφή με νερό.
  - Η φθαρμένη μόνωση των ηλεκτρικών εξαρτημάτων ενδέχεται να προκαλέσει ηλεκτροπληξία ή πυρκαγιά.
- Μην τοποθετείτε αυτό το ψυγείο σε μέρος όπου εκτίθεται σε άμεσο ηλιακό φως ή στη θερμότητα που εκπέμπεται από σύμπες, καλοριφέρ ή άλλες συσκευές.

- 
- Μη συνδέετε πολλές συσκευές στο ίδιο πολύπριζο. Το ψυγείο θα πρέπει πάντα να είναι συνδεδεμένο σε δική του πρίζα, με ονομαστική τιμή τάσης ίδια με την τάση που αναγράφεται στην πινακίδα τεχνικών στοιχείων του ψυγείου.
    - Με αυτόν τον τρόπο, εξασφαλίζεται η καλύτερη δυνατή απόδοση της συσκευής και αποτρέπεται η υπερφόρτωση των κυκλωμάτων καλωδίωσης της κατοικίας σας, γεγονός που θα μπορούσε να προκαλέσει κίνδυνο πυρκαγιάς λόγω υπερθέρμανσης των καλωδίων.
  - Αν η πρίζα είναι χαλαρή, μη συνδέετε το φως τροφοδοσίας.
    - Υπάρχει κίνδυνος ηλεκτροπληξίας ή πυρκαγιάς.
  - Μη χρησιμοποιείτε καλώδιο ρεύματος που παρουσιάζει ρωγμές ή ζημιά λόγω τριβής σε όλο το μήκος του ή σε οποιοδήποτε από τα άκρα του.
  - Μην κάμπτετε υπερβολικά το καλώδιο ρεύματος και μην τοποθετείτε βαριά αντικείμενα επάνω του.
  - Μην τραβάτε και μην κάμπτετε υπερβολικά το καλώδιο ρεύματος.
  - Μη συστρέψετε και μη δένετε κόμπο το καλώδιο ρεύματος.
  - Μην κρεμάτε το καλώδιο ρεύματος επάνω σε μεταλλικά αντικείμενα, μην τοποθετείτε βαριά αντικείμενα επάνω στο καλώδιο ρεύματος, μην τοποθετείτε το καλώδιο ρεύματος ανάμεσα σε αντικείμενα και μη σπρώχνετε το καλώδιο ρεύματος στον χώρο πίσω από τη συσκευή.
  - Όταν μετακινείτε το ψυγείο, προσέχετε να μην αναποδογυρίσει και να μην υποστεί ζημιά το καλώδιο ρεύματος.
    - Ενδέχεται να προκληθεί ηλεκτροπληξία ή πυρκαγιά.
  - Μην αποσυνδέετε ποτέ το ψυγείο από την πρίζα τραβώντας το καλώδιο ρεύματος. Να πιάνετε πάντα σταθερά το φως και να το τραβάτε κατευθείαν προς τα έξω από την πρίζα.
    - Τυχόν ζημιά στο καλώδιο ενδέχεται να προκαλέσει βραχυκύκλωμα, πυρκαγιά ή/και ηλεκτροπληξία.

## Πληροφορίες για την ασφάλεια

---

- Μη χρησιμοποιείτε αερολύματα (αεροζόλ) κοντά στο ψυγείο.
  - Η χρήση αεροζόλ κοντά στο ψυγείο, ενδέχεται να προκαλέσει έκρηξη ή πυρκαγιά.
- Μην εγκαθιστάτε αυτή τη συσκευή κοντά σε καλοριφέρ ή σε εύφλεκτα υλικά.
- Μην εγκαθιστάτε αυτή τη συσκευή σε μέρη όπου ενδέχεται να διαρρεύσει αέριο.
  - Ενδέχεται να προκληθεί ηλεκτροπληξία ή πυρκαγιά.
- Πριν από τη χρήση, αυτό το ψυγείο πρέπει να τοποθετηθεί σε κατάλληλο σημείο και να εγκατασταθεί σύμφωνα με τις οδηγίες του παρόντος εγχειριδίου.
- Συνδέστε το φιν τροφοδοσίας σωστά, με το καλώδιο να κρέμεται προς τα κάτω.
  - Αν συνδέσετε το φιν τροφοδοσίας ανάποδα, μπορεί να κοπεί το καλώδιο και να προκληθεί πυρκαγιά ή ηλεκτροπληξία.
- Βεβαιωθείτε ότι το πίσω μέρος του ψυγείου δεν συνθλίβει ούτε προκαλεί ζημιά στο φιν τροφοδοσίας.
- Φυλάτε τα υλικά συσκευασίας μακριά από παιδιά.
  - Αν ένα παιδί καλύψει το κεφάλι του με τα υλικά συσκευασίας, υπάρχει κίνδυνος θανάτου λόγω ασφυξίας.
- Μην εγκαθιστάτε αυτή τη συσκευή σε χώρους με υγρασία, λάδια ή σκόνη ή σε μέρη που είναι εκτεθειμένα σε άμεσο ηλιακό φως ή σε νερό (σταγόνες βροχής).
  - Η φθαρμένη μόνωση των ηλεκτρικών εξαρτημάτων ενδέχεται να προκαλέσει ηλεκτροπληξία ή πυρκαγιά.
- Αν υπάρχει σκόνη ή νερό μέσα στο ψυγείο, αποσυνδέστε το φιν τροφοδοσίας και επικοινωνήστε με το τοπικό επισκευαστικό κέντρο της Samsung Electronics.
  - Διαφορετικά, υπάρχει κίνδυνος πυρκαγιάς.



- 
- Μην πατάτε επάνω στη συσκευή και μην τοποθετείτε αντικείμενα (όπως ρούχα, αναμμένα κεριά, αναμμένα τσιγάρα, πιάτα, χημικά, μεταλλικά αντικείμενα κ.λπ.) επάνω στη συσκευή.
    - Ενδέχεται να προκληθεί ηλεκτροπληξία, πυρκαγιά, προβλήματα με το προϊόν ή τραυματισμός.
  - Προτού συνδέσετε για πρώτη φορά το προϊόν στην πρίζα, πρέπει να αφαιρέσετε όλη την προστατευτική πλαστική μεμβράνη.
  - Τα παιδιά θα πρέπει να επιβλέπονται, ώστε να διασφαλίζεται ότι δεν παίζουν με τους δακτυλίους συγκράτησης που χρησιμοποιούνται για τη ρύθμιση της πόρτας ή τα κλιπ του σωλήνα νερού.
    - Αν ένα παιδί καταπιεί έναν δακτύλιο συγκράτησης ή ένα κλιπ του σωλήνα νερού, υπάρχει κίνδυνος θανάτου λόγω ασφυξίας. Φυλάτε τους δακτυλίους συγκράτησης και τα κλιπ του σωλήνα νερού μακριά από παιδιά.
  - Το ψυγείο πρέπει να γειώνεται με ασφάλεια.
    - Προτού επιχειρήσετε να επιθεωρήσετε ή να επισκευάσετε οποιοδήποτε μέρος της συσκευής, να βεβαιώνετε πάντα ότι έχετε γειώσει το ψυγείο. Οι διαρροές ρεύματος μπορούν να προκαλέσουν ισχυρή ηλεκτροπληξία.
  - Μη χρησιμοποιείτε ποτέ σωλήνες αερίου, τηλεφωνικές γραμμές ή άλλα αντικείμενα που μπορούν να λειτουργήσουν ως αλεξικέραυνα ως ηλεκτρική γείωση.
    - Πρέπει να γειώνετε το ψυγείο, προκειμένου να αποτρέψετε τυχόν διαρροή ηλεκτρικής ενέργειας ή ηλεκτροπληξία λόγω διαρροής ρεύματος από το ψυγείο.
    - Ενδέχεται να προκληθεί ηλεκτροπληξία, πυρκαγιά, έκρηξη ή προβλήματα με το προϊόν.

## Πληροφορίες για την ασφάλεια

---

- Συνδέστε σταθερά το φιν τροφοδοσίας στην πρίζα. Μη χρησιμοποιείτε φιν τροφοδοσίας ή καλώδιο ρεύματος που έχει υποστεί ζημιά ούτε χαλαρή πρίζα.
  - Ενδέχεται να προκληθεί ηλεκτροπληξία ή πυρκαγιά.
- Η ασφάλεια του ψυγείου πρέπει να αντικαθίσταται από εξειδικευμένο τεχνικό ή εταιρεία επισκευών.
  - Διαφορετικά, ενδέχεται να προκληθεί ηλεκτροπληξία ή τραυματισμός.
- Αυτή η συσκευή είναι ένα εντοιχιζόμενο μοντέλο που απαιτεί ειδική διαδρομή εξαερισμού. Για να αποτρέψετε τον κίνδυνο έκρηξης, φροντίστε να υπάρχει ελεύθερος χώρος για εξαερισμό.
- Η ασφάλεια του ψυγείου πρέπει να αντικαθίσταται από εξειδικευμένο τεχνικό ή εταιρεία επισκευών. Διαφορετικά, ενδέχεται να προκληθεί ηλεκτροπληξία ή τραυματισμός.

## Προφυλάξεις για την εγκατάσταση

---

### ΠΡΟΣΟΧΗ

- Φροντίστε να υπάρχει αρκετός χώρος γύρω από το ψυγείο και εγκαταστήστε το σε επίπεδη επιφάνεια.
  - Αν το ψυγείο δεν είναι τοποθετημένο σε επίπεδη επιφάνεια, μπορεί να μειωθεί η απόδοση ψύξης και η διάρκεια ζωής του.
- Μετά την εγκατάσταση και την ενεργοποίηση, αφήστε τη συσκευή να λειτουργήσει για 2-3 ώρες προτού τη γεμίσετε με τρόφιμα.
- Συνιστούμε ιδιαίτερα το ψυγείο να εγκαθίσταται από εξειδικευμένο τεχνικό ή εταιρεία επισκευών.
  - Διαφορετικά, ενδέχεται να προκληθεί ηλεκτροπληξία, πυρκαγιά, έκρηξη, προβλήματα με το προϊόν ή τραυματισμός.

---

## Σοβαρές προειδοποιήσεις για τη χρήση

---

### ΠΡΟΕΙΔΟΠΟΙΗΣΗ

- Μη συνδέετε το φως τροφοδοσίας στην πρίζα με υγρά χέρια.
  - Ενδέχεται να προκληθεί ηλεκτροπληξία.
- Μην αποθηκεύετε αντικείμενα στο επάνω μέρος της συσκευής.
  - Όταν ανοιγοκλείνετε την πόρτα, τα αντικείμενα ενδέχεται να πέσουν και να προκαλέσουν τραυματισμό ή/και υλικές ζημιές.
- Μην τοποθετείτε τα χέρια σας, τα πόδια σας ή μεταλλικά αντικείμενα (όπως μεταλλικές ράβδους κ.λπ.) στο κάτω ή στο πίσω μέρος του ψυγείου.
  - Ενδέχεται να προκληθεί ηλεκτροπληξία ή τραυματισμός.
  - Τυχόν αιχμηρές άκρες ενδέχεται να προκαλέσουν τραυματισμό.
- Μην αγγίζετε τα εσωτερικά τοιχώματα του καταψύκτη ή τα προϊόντα που φυλάσσονται στον καταψύκτη με υγρά χέρια.
  - Ενδέχεται να προκληθεί κρουπάγημα.
- Μην τοποθετείτε δοχεία με νερό επάνω στο ψυγείο.
  - Αν χυθεί το νερό, υπάρχει κίνδυνος πυρκαγιάς ή ηλεκτροπληξίας.
- Μη διατηρείτε πτητικά ή εύφλεκτα αντικείμενα ή ουσίες (βενζόλιο, διαλυτικά, αέριο προπάνιο, οινόπνευμα, αιθέρα, υγραέριο και άλλα παρόμοια προϊόντα) μέσα στο ψυγείο.
  - Αυτό το ψυγείο προορίζεται αποκλειστικά για τη φύλαξη τροφίμων.
  - Ενδέχεται να προκληθεί πυρκαγιά ή έκρηξη.
- Τα παιδιά θα πρέπει να επιβλέπονται, ώστε να διασφαλίζεται ότι δεν παίζουν με τη συσκευή.
  - Κρατήστε τα δάχτυλά σας μακριά από σημεία όπου θα μπορούσαν να πιαστούν. Τα κενά ανάμεσα στις πόρτες και τον θάλαμο είναι αναγκαστικά μικρά. Αν υπάρχουν παιδιά στον χώρο, να είστε προσεκτικοί όταν ανοίγετε τις πόρτες.

## Πληροφορίες για την ασφάλεια

---

- Μη βάζετε τα δάχτυλά σας ή τα δάχτυλα των παιδιών ανάμεσα στις πόρτες.
  - Κρατήστε τα δάχτυλά σας μακριά από το κενό της αριστερής και της δεξιάς πόρτας. Αν τα δάχτυλά σας είναι ανάμεσα στις πόρτες, να είστε προσεκτικοί όταν ανοίγετε τις πόρτες.
- Μην αφήνετε τα παιδιά να κρέμονται από την πόρτα ή τα ράφια πόρτας. Ενδέχεται να προκληθεί σοβαρός τραυματισμός.
- Μην αφήνετε τα παιδιά να μπαίνουν μέσα στο ψυγείο. Μπορεί να παγιδευτούν.
- Μη βάζετε τα χέρια σας κάτω από τη συσκευή.
  - Τυχόν αιχμηρές άκρες ενδέχεται να προκαλέσουν τραυματισμό.
- Μη φυλάσσετε φαρμακευτικά προϊόντα, επιστημονικά υλικά ή θερμοευαίσθητα προϊόντα μέσα στο ψυγείο.
  - Τα προϊόντα που απαιτούν αυστηρό έλεγχο της θερμοκρασίας δεν πρέπει να φυλάσσονται στο ψυγείο.
- Αν μυρίσετε οσμή φαρμάκου ή καπνό, αποσυνδέστε αμέσως το φιντροφοδοσίας και επικοινωνήστε με το τοπικό επισκευαστικό κέντρο της Samsung Electronics.
- Αν υπάρχει σκόνη ή νερό μέσα στο ψυγείο, αποσυνδέστε το φιντροφοδοσίας και επικοινωνήστε με το τοπικό επισκευαστικό κέντρο της Samsung Electronics.
  - Διαφορετικά, υπάρχει κίνδυνος πυρκαγιάς.
- Μην αφήνετε τα παιδιά να πατούν επάνω σε συρτάρια.
  - Το συρτάρι ενδέχεται να σπάσει και μπορεί να σκοντάψουν.
- Μην αφήνετε ανοικτές τις πόρτες του ψυγείου ενόσω δεν το επιτηρείτε και μην αφήνετε τα παιδιά να μπαίνουν μέσα στο ψυγείο.
- Μην αφήνετε μωρά ή παιδιά να μπαίνουν μέσα στο συρτάρι.
  - Μπορεί να προκληθεί θάνατος λόγω ασφυξίας εξαιτίας παγίδευσης ή τραυματισμός.

- 
- Μην παραγεμίζετε το ψυγείο με τρόφιμα.
    - Όταν ανοίγετε την πόρτα, κάποιο αντικείμενο ενδέχεται να πέσει και να προκαλέσει τραυματισμό ή υλικές ζημιές.
  - Μην ψεκάζετε πτητικά υγρά όπως εντομοκτόνα στην επιφάνεια της συσκευής.
    - Είναι επιβλαβή για τους ανθρώπους και, επιπλέον, ενδέχεται να προκαλέσουν ηλεκτροπληξία, πυρκαγιά ή προβλήματα με το προϊόν.
  - Μη χρησιμοποιείτε και μην τοποθετείτε ουσίες ευαίσθητες στη θερμοκρασία, όπως εύφλεκτα σπρέι, εύφλεκτα αντικείμενα, ξηρό πάγο, φάρμακα ή χημικά, κοντά ή μέσα στο ψυγείο.
  - Μη χρησιμοποιείτε σεσουάρ για να στεγνώσετε το εσωτερικό του ψυγείου. Μην τοποθετείτε αναμμένα κεριά μέσα στο ψυγείο για την απομάκρυνση των δυσάρεστων οσμών.
    - Ενδέχεται να προκληθεί ηλεκτροπληξία ή πυρκαγιά.
  - Μην πατάτε επάνω στη συσκευή και μην τοποθετείτε αντικείμενα (όπως ρούχα, αναμμένα κεριά, αναμμένα τσιγάρα, πιάτα, χημικά, μεταλλικά αντικείμενα κ.λπ.) επάνω στη συσκευή. Ενδέχεται να προκληθεί ηλεκτροπληξία, πυρκαγιά, προβλήματα με το προϊόν ή τραυματισμός. Μην τοποθετείτε δοχεία με νερό επάνω στη συσκευή.
    - Αν χυθεί το νερό, υπάρχει κίνδυνος πυρκαγιάς ή ηλεκτροπληξίας.
  - Μην κοιτάζετε ποτέ κατευθείαν τη λυχνία LED τύπου UV για μεγάλα χρονικά διαστήματα.
    - Ενδέχεται να προκληθεί ασθενοπία, εξαιτίας των υπεριωδών ακτίνων.
  - Μην τοποθετείτε το ράφι ανάποδα. Δεν θα λειτουργεί η ασφάλεια των ραφιών.
    - Αν πέσει ένα γυάλινο ράφι, ενδέχεται να προκληθεί τραυματισμός.

## Πληροφορίες για την ασφάλεια

---

- Αν εντοπίσετε διαρροή αερίου, αποφύγετε τυχόν γυμνές φλόγες ή πιθανές πηγές ανάφλεξης και αερίστε για αρκετά λεπτά τον χώρο στον οποίο βρίσκεται η συσκευή.
  - Μην αγγίζετε τη συσκευή ή το καλώδιο ρεύματος.
  - Μην χρησιμοποιείτε ανεμιστήρα εξαερισμού.
  - Μια σπίθα ενδέχεται να προκαλέσει έκρηξη ή πυρκαγιά.
- Τα μπουκάλια θα πρέπει να τοποθετούνται το ένα πολύ κοντά στο άλλο, ώστε να μην πέσουν έξω από το ψυγείο.
- Αυτό το προϊόν προορίζεται αποκλειστικά για τη φύλαξη τροφίμων σε οικιακό περιβάλλον.
- Μην επιχειρήσετε να επισκευάσετε, να αποσυναρμολογήσετε ή να τροποποιήσετε μόνοι σας το ψυγείο.
  - Μη εξουσιοδοτημένες τροποποιήσεις μπορούν να προκαλέσουν προβλήματα ασφαλείας. Για να αποκαταστήσουμε μια μη εξουσιοδοτημένη τροποποίηση, θα χρεώσουμε το πλήρες κόστος για τα εξαρτήματα και την εργασία.
- Μη χρησιμοποιείτε κανέναν άλλο τύπο ασφάλειας (όπως χαλκού, χαλύβδινου σύρματος κ.λπ.) εκτός από την τυπική ασφάλεια.
- Αν το ψυγείο χρειάζεται να επισκευαστεί ή να μετεγκατασταθεί, επικοινωνήστε με το πλησιέστερο επισκευαστικό κέντρο.
  - Διαφορετικά, ενδέχεται να προκληθεί ηλεκτροπληξία, πυρκαγιά, προβλήματα με το προϊόν ή τραυματισμός.
- Αν βγαίνει μυρωδιά καμένου ή καπνός από το ψυγείο, αποσυνδέστε το από την πρίζα και επικοινωνήστε με το τοπικό επισκευαστικό κέντρο της Samsung Electronics.
  - Διαφορετικά, ενδέχεται να προκληθεί ηλεκτροπληξία ή πυρκαγιά.
- Προτού αντικαταστήσετε τις εσωτερικές λυχνίες του ψυγείου, αποσυνδέστε το φινις τροφοδοσίας από την πρίζα.
  - Διαφορετικά, υπάρχει κίνδυνος ηλεκτροπληξίας.

- 
- Αν αντιμετωπίσετε δυσκολίες με την αντικατάσταση μιας λυχνίας που δεν είναι τύπου LED, επικοινωνήστε με ένα επισκευαστικό κέντρο της Samsung.
  - Συνδέστε σταθερά το φως τροφοδοσίας στην πρίζα.
  - Μη χρησιμοποιείτε φως τροφοδοσίας ή καλώδιο ρεύματος που έχει υποστεί ζημιά ούτε χαλαρή πρίζα.
    - Ενδέχεται να προκληθεί ηλεκτροπληξία ή πυρκαγιά.

## Προφυλάξεις για τη χρήση

---

### ΠΡΟΣΟΧΗ

- Μην καταψύχετε ξανά αποψυγμένα τρόφιμα.
  - Στα κατεψυγμένα και αποψυγμένα τρόφιμα αναπτύσσονται βλαβερά βακτήρια ταχύτερα από τα φρέσκα.
  - Η δεύτερη απόψυξη προκαλεί τη διάσπαση ακόμα περισσότερων κυττάρων και την απώλεια υγρασίας, μεταβάλλοντας την ακεραιότητα του προϊόντος.
- Μην αποψύχετε κρέας σε θερμοκρασία δωματίου.
  - Η ασφάλεια εξαρτάται από τον σωστό ή μη χειρισμό του ωμού προϊόντος.
- Μην τοποθετείτε γυάλινα μπουκάλια ή ανθρακούχα ποτά μέσα στον καταψύκτη.
  - Το δοχείο ενδέχεται να παγώσει και να σπάσει, καθώς και να προκαλέσει τραυματισμό.
- Χρησιμοποιείτε μόνο τον παρασκευαστή πάγου που παρέχεται με το ψυγείο.

## Πληροφορίες για την ασφάλεια

---

- Για την καλύτερη δυνατή απόδοση του προϊόντος:
  - Μην τοποθετείτε τρόφιμα πολύ κοντά στα ανοίγματα εξαερισμού που βρίσκονται στο πίσω μέρος του ψυγείου, καθώς μπορεί να εμποδίσουν την ελεύθερη κυκλοφορία του αέρα στον θάλαμο του ψυγείου.
  - Τυλίγετε σωστά τα τρόφιμα ή τοποθετείτε τα σε αεροστεγή δοχεία, προτού τα βάλετε στο ψυγείο.
  - Τηρείτε τους μέγιστους χρόνους φύλαξης και τις ημερομηνίες λήξης των κατεψυγμένων προϊόντων.
  - Δεν χρειάζεται να αποσυνδέσετε το ψυγείο από την παροχή ρεύματος, αν σκοπεύετε να λείψετε για διάστημα μικρότερο των τριών εβδομάδων. Ωστόσο, αν θα λείψετε για περισσότερο από τρεις εβδομάδες, αφαιρέστε όλα τα τρόφιμα και τον πάγο από το δοχείο πάγου, αποσυνδέστε το ψυγείο από την πρίζα, κλείστε τη βαλβίδα νερού, σκουπίστε την περίσσεια υγρασίας από τα εσωτερικά τοιχώματα και αφήστε τις πόρτες ανοιχτές για να αποτρέψετε τη δημιουργία οσμών και μούχλας.
- Εγγύηση επισκευής και τροποποιήσεις
  - Οποιοσδήποτε αλλαγές ή τροποποιήσεις εκτελούνται από τρίτους σε αυτή την ολοκληρωμένη συσκευή δεν καλύπτονται από την εγγύηση επισκευής της Samsung και η Samsung δεν ευθύνεται για προβλήματα ασφαλείας που προκύπτουν εξαιτίας τροποποιήσεων από τρίτους.
- Μη φράζετε τα ανοίγματα εξαερισμού στο εσωτερικό του ψυγείου.
  - Αν τα ανοίγματα εξαερισμού είναι φραγμένα, ειδικά με πλαστική σακούλα, το ψυγείο μπορεί να ψυχθεί υπερβολικά.
- Σκουπίστε την περίσσεια υγρασίας από το εσωτερικό του ψυγείου και αφήστε τις πόρτες ανοιχτές.
  - Διαφορετικά, ενδέχεται να δημιουργηθούν οσμές και μούχλα.



- 
- Αν το ψυγείο αποσυνδεθεί από την παροχή ρεύματος, θα πρέπει να περιμένετε για τουλάχιστον πέντε λεπτά προτού το συνδέσετε ξανά στην πρίζα.
  - Αν το ψυγείο βραχεί με νερό, αποσυνδέστε το φινιτροφοδοσίας και επικοινωνήστε με το τοπικό επισκευαστικό κέντρο της Samsung Electronics.
  - Μη χτυπάτε και μην ασκείτε υπερβολική δύναμη σε καμία γυάλινη επιφάνεια.
    - Το σπασμένο γυαλί ενδέχεται να προκαλέσει τραυματισμό ή/και υλικές ζημιές.
  - Προσέχετε να μην πιαστούν τα δάχτυλά σας στην πόρτα του ψυγείου.
  - Αν το ψυγείο πλημμυρίσει με νερό, φροντίστε να επικοινωνήσετε με το πλησιέστερο επισκευαστικό κέντρο.
    - Υπάρχει κίνδυνος ηλεκτροπληξίας ή πυρκαγιάς.
  - Μην αποθηκεύετε φυτικό λάδι στα ράφια της πόρτας του ψυγείου σας. Το λάδι μπορεί να στερεοποιηθεί, να αποκτήσει κακή γεύση και να είναι δύσκολο να χρησιμοποιηθεί. Επιπλέον, το ανοιχτό δοχείο μπορεί να έχει διαρροή και το λάδι που θα διαρρεύσει να προκαλέσει ρωγμή στο ράφι της πόρτας. Αφού ανοίξετε ένα δοχείο λαδιού, καλύτερα να διατηρείτε το δοχείο σε δροσερό και σκιερό χώρο, όπως ένα ντουλάπι ή μια τροφοθήκη.
    - Παραδείγματα φυτικού λαδιού: ελαιόλαδο, καλαμποκέλαιο, σταφυλέλαιο κ.λπ.

# Πληροφορίες για την ασφάλεια

---

## Προφυλάξεις για τον καθαρισμό

---

### ΠΡΟΣΟΧΗ

- Μην ψεκάζετε νερό κατευθείαν επάνω στην εσωτερική ή στην εξωτερική επιφάνεια του ψυγείου.
  - Υπάρχει κίνδυνος πυρκαγιάς ή ηλεκτροπληξίας.
- Μη χρησιμοποιείτε σεσουάρ για να στεγνώσετε το εσωτερικό του ψυγείου.
- Μην τοποθετείτε αναμμένα κεριά μέσα στο ψυγείο για να απομακρύνετε τις δυσάρεστες οσμές.
  - Ενδέχεται να προκληθεί ηλεκτροπληξία ή πυρκαγιά.
- Μην ψεκάζετε καθαριστικά προϊόντα κατευθείαν επάνω στην οθόνη.
  - Τα γράμματα που είναι τυπωμένα στην οθόνη ενδέχεται να σβηστούν.
- Αν εισχωρήσει στη συσκευή οποιαδήποτε ξένη ουσία όπως το νερό, αποσυνδέστε το φινιρ τροφοδοσίας από την πρίζα και επικοινωνήστε με το πλησιέστερο επισκευαστικό κέντρο.
  - Διαφορετικά, ενδέχεται να προκληθεί ηλεκτροπληξία ή πυρκαγιά.
- Χρησιμοποιήστε ένα καθαρό και στεγνό πανί για να απομακρύνετε τυχόν ξένα σώματα ή σκόνη από τους ακροδέκτες του φινιρ τροφοδοσίας. Μη χρησιμοποιείτε υγρό ή νοτισμένο πανί κατά τον καθαρισμό του φινιρ.
  - Διαφορετικά, υπάρχει κίνδυνος πυρκαγιάς ή ηλεκτροπληξίας.
- Μην ψεκάζετε νερό κατευθείαν επάνω στη συσκευή για να την καθαρίσετε.
- Μη χρησιμοποιείτε βενζόλιο, διαλυτικό, λευκαντικό ή χλώριο για τον καθαρισμό.
  - Ενδέχεται να προκαλέσουν ζημιά στην επιφάνεια της συσκευής, καθώς και πυρκαγιά.

- 
- Πριν από τον καθαρισμό ή τις εργασίες συντήρησης, να αποσυνδέετε τη συσκευή από την πρίζα.
    - Διαφορετικά, ενδέχεται να προκληθεί ηλεκτροπληξία ή πυρκαγιά.
  - Χρησιμοποιήστε ένα καθαρό σφουγγάρι ή μαλακό πανί και ήπιο απορρυπαντικό σε ζεστό νερό για να καθαρίσετε το ψυγείο.
  - Μη χρησιμοποιείτε λειαντικά ή σκληρά καθαριστικά, όπως σπρέι καθαρισμού υαλοπινάκων, καθαριστικά αποτριβής, εύφλεκτα υγρά, υδροχλωρικό οξύ, κεριά καθαρισμού, συμπυκνωμένα καθαριστικά, χλωρίνες ή καθαριστικά που περιέχουν προϊόντα του πετρελαίου στις εξωτερικές επιφάνειες (πόρτες και θάλαμο), τα πλαστικά μέρη, τις επενδύσεις της πόρτας και τις εσωτερικές επενδύσεις και τα παρεμβύσματα.
    - Αυτά ενδέχεται να προκαλέσουν γρατσουνιές ή ζημιές στο υλικό.
  - Μην καθαρίζετε τα γυάλινα ράφια ή τα καλύμματα με ζεστό νερό όταν είναι κρύα. Τα γυάλινα ράφια και τα καλύμματα ενδέχεται να σπάσουν αν εκτεθούν σε απότομες αλλαγές θερμοκρασίας ή κρούσεις, όπως χτυπήματα ή πτώσεις.

## Σοβαρές προειδοποιήσεις για την απόρριψη

---

### ΠΡΟΕΙΔΟΠΟΙΗΣΗ

- Απορρίψτε τα υλικά συσκευασίας αυτού του προϊόντος με τρόπο φιλικό προς το περιβάλλον.
- Πριν από την απόρριψη, βεβαιωθείτε ότι δεν έχει υποστεί ζημιά κανένας από τους σωλήνες που βρίσκονται στο πίσω μέρος του ψυγείου.

## Πληροφορίες για την ασφάλεια

---

- Κατά την απόρριψη αυτού του ψυγείου, αφαιρέστε την πόρτα/στεγανοποιητικά πόρτας και το σύστημα μανδάλωσης της πόρτας, έτσι ώστε να μην μπορεί να παγιδευτεί κάποιο μικρό παιδί ή ζώο στο εσωτερικό του. Τα παιδιά θα πρέπει να επιβλέπονται, ώστε να διασφαλίζεται ότι δεν παίζουν με τη συσκευή. Αν παγιδευτεί μέσα κάποιο παιδί, ενδέχεται να τραυματιστεί και να πεθάνει από ασφυξία.
  - Αν παγιδευτεί μέσα κάποιο παιδί, ενδέχεται να τραυματιστεί και να πεθάνει από ασφυξία.
- Στη μόνωση χρησιμοποιείται κυκλοπεντάνιο. Για τα αέρια που περιέχονται στο μονωτικό υλικό απαιτείται ειδική διαδικασία απόρριψης. Επικοινωνήστε με τις αρμόδιες τοπικές αρχές για να ενημερωθείτε σχετικά με τον περιβαλλοντικά ασφαλή τρόπο απόρριψης αυτού του προϊόντος.
- Φυλάξτε όλα τα υλικά συσκευασίας μακριά από παιδιά, καθώς μπορούν να είναι επικίνδυνα για τα παιδιά.
  - Αν ένα παιδί καλύψει το κεφάλι του με μια σακούλα, μπορεί να πάθει ασφυξία.

## Πρόσθετες συμβουλές για σωστή χρήση

---

- Σε περίπτωση διακοπής ρεύματος, καλέστε το τοπικό γραφείο της εταιρείας παροχής ηλεκτρικού ρεύματος με την οποία συνεργάζεστε και ρωτήστε πόσο θα διαρκέσει η διακοπή.
  - Οι περισσότερες διακοπές ρεύματος που αποκαθίστανται σε μία ή δύο ώρες δεν θα επηρεάσουν τη θερμοκρασία του ψυγείου σας. Ωστόσο, θα πρέπει να ανοίγετε την πόρτα όσο το δυνατόν λιγότερο κατά τη διάρκεια της διακοπής ρεύματος.
  - Αν τυχόν η διακοπή ρεύματος διαρκέσει περισσότερο από 24 ώρες, απομακρύνετε και απορρίψτε όλα τα κατεψυγμένα τρόφιμα.

- 
- Αν τοποθετηθεί για παρατεταμένο χρονικό διάστημα σε μέρος στο οποίο η θερμοκρασία περιβάλλοντος είναι συνεχώς χαμηλότερη από τις θερμοκρασίες για τις οποίες έχει σχεδιαστεί η συσκευή, το ψυγείο ενδέχεται να μη λειτουργεί αξιόπιστα (μπορεί να ξεπαγώσουν τα κατεψυγμένα προϊόντα που περιέχει ή μπορεί να είναι πολύ υψηλή η θερμοκρασία στον θάλαμο κατεψυγμένων τροφίμων).
  - Σε περίπτωση ευαίσθητων τροφίμων, το να διατηρούνται υπό ψύξη μπορεί να επηρεάσει αρνητικά τη συντήρησή τους, λόγω των ιδιοτήτων τους.
  - Η συσκευή σας είναι «frost free», γεγονός που σημαίνει ότι δεν χρειάζεται να την αποψύξετε. Αυτή η διαδικασία εκτελείται αυτόματα.
  - Η αύξηση της θερμοκρασίας κατά την απόψυξη συμμορφώνεται με τις απαιτήσεις ISO. Αν θέλετε να αποτρέψετε υπερβολική αύξηση της θερμοκρασίας των κατεψυγμένων τροφίμων κατά την απόψυξη της συσκευής, τυλίξτε τα κατεψυγμένα τρόφιμα σε αρκετά φύλλα εφημερίδας.
  - Μην καταψύχετε ξανά κατεψυγμένα τρόφιμα που έχουν ξεπαγώσει εντελώς.
  - Η θερμοκρασία στους χώρους με τα δύο αστέρια ή στους θαλάμους με το σύμβολο των δύο αστεριών (\*\*) είναι ελαφρώς υψηλότερη από εκείνη στους άλλους θαλάμους του καταψύκτη.  
Η θέση των χώρων ή των θαλάμων με τα δύο αστέρια βασίζεται στις οδηγίες ή/και στην κατάσταση κατά την παράδοση.

# Πληροφορίες για την ασφάλεια

## Οδηγίες σχετικά με την ένδειξη WEEE



Σωστή Απόρριψη αυτού του Προϊόντος (Απόβλητα Ηλεκτρικού & Ηλεκτρονικού Εξοπλισμού)  
(Ισχύει σε χώρες με ξεχωριστά συστήματα συλλογής)

Αυτό το σήμα που εμφανίζεται επάνω στο προϊόν, στα εξαρτήματά του ή στα εγχειρίδια που το συνοδεύουν, υποδεικνύει ότι το προϊόν και τα ηλεκτρονικά του εξαρτήματα (π.χ. φορτιστής, ακουστικά, καλώδιο USB) δεν θα πρέπει να ρίπτονται μαζί με τα υπόλοιπα οικιακά απορρίμματα μετά το τέλος του κύκλου ζωής τους. Προκειμένου να αποφευχθούν ενδεχόμενες βλαβερές συνέπειες στο περιβάλλον ή την υγεία εξαιτίας της ανεξέλεγκτης διάθεσης απορριμμάτων, σας παρακαλούμε να διαχωρίσετε αυτά τα προϊόντα από άλλους τύπους απορριμμάτων και να τα ανακυκλώσετε, ώστε να βοηθήσετε στην βιώσιμη επαναχρησιμοποίηση των υλικών πόρων.

Οι οικιακοί χρήστες θα πρέπει να έλθουν σε επικοινωνία είτε με το κατάστημα απ' όπου αγόρασαν αυτό το προϊόν, είτε με τις κατά τόπους υπηρεσίες, προκειμένου να πληροφορηθούν τις λεπτομέρειες σχετικά με τον τόπο και τον τρόπο με τον οποίο μπορούν να δώσουν αυτά τα προϊόντα για ασφαλή προς το περιβάλλον ανακύκλωση.

Οι επιχειρήσεις-χρήστες θα πρέπει να έλθουν σε επαφή με τον προμηθευτή τους και να ελέγξουν τους όρους και τις προϋποθέσεις του συμβολαίου αγοράς. Αυτό το προϊόν και τα ηλεκτρονικά του εξαρτήματα δεν θα πρέπει να αναμιγνύονται με άλλα συνηθισμένα απορρίμματα προς διάθεση.

Για πληροφορίες σχετικά με τις δεσμεύσεις της Samsung αναφορικά με την προστασία του περιβάλλοντος και τις κανονιστικές υποχρεώσεις για τα προϊόντα, π.χ. τις οδηγίες REACH, WEEE και τις οδηγίες σχετικά με τις μπαταρίες, επισκεφτείτε τη σελίδα μας σχετικά με την αειφορία στη διαδικτυακή τοποθεσία [www.samsung.com](http://www.samsung.com)

(Μόνο για προϊόντα που πωλούνται σε ευρωπαϊκές χώρες και στο Ηνωμένο Βασίλειο)

# Εγκατάσταση

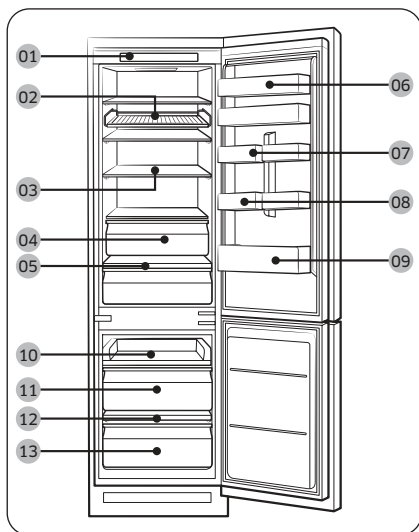
Ακολουθήστε προσεκτικά αυτές τις οδηγίες, για να διασφαλίσετε τη σωστή εγκατάσταση αυτού του ψυγείου και να αποφύγετε τα ατυχήματα πριν από τη χρήση του.

## ⚠ ΠΡΟΕΙΔΟΠΟΙΗΣΗ

- Χρησιμοποιείτε το ψυγείο μόνο για τον σκοπό για τον οποίο προορίζεται, όπως περιγράφεται σε αυτό το εγχειρίδιο.
- Οποιαδήποτε εργασίες επισκευής πρέπει να εκτελούνται από εξειδικευμένο τεχνικό.
- Απορρίψτε τα υλικά συσκευασίας του προϊόντος σύμφωνα με τους τοπικούς κανονισμούς.
- Για να αποτρέψετε την πρόκληση ηλεκτροπληξίας, αποσυνδέστε το καλώδιο ρεύματος πριν από τις εργασίες επισκευής ή αντικατάστασης.

## Επισκόπηση του ψυγείου

Η πραγματική εμφάνιση και τα παρεχόμενα εξαρτήματα του ψυγείου ενδέχεται να διαφέρουν, ανάλογα με το μοντέλο και τη χώρα.



- 01 Πίνακας ελέγχου
- 02 Ράφι κρασιών \*
- 03 Ράφι ψυγείου \*
- 04 Συρτάρι ψυγείου \*
- 05 Ράφι λαχανικών \*
- 06 Επάνω θήκη πόρτας \*
- 07 Θήκη πόρτας πολλαπλής χρήσης
- 08 Δίσκος για αβγά \*
- 09 Ράφι πόρτας ψυγείου
- 10 Συρόμενο ράφι
- 11 Μεσαίο συρτάρι καταψύκτη
- 12 Ράφι καταψύκτη \*
- 13 Κάτω συρτάρι καταψύκτη

\* μόνο για τα κατάλληλα μοντέλα

## 📖 ΣΗΜΕΙΩΣΗ

- Για την υψηλότερη δυνατή ενεργειακή απόδοση, βεβαιωθείτε ότι όλα τα ράφια, τα συρτάρια και τα καλάθια βρίσκονται στην αρχική τους θέση.
- Μόνο για τα μοντέλα που έχουν ράφι καταψύκτη:
  - Για να καταψύξετε γρήγορα μεγάλες ποσότητες τροφίμων, χρησιμοποιήστε τον καταψύκτη αφού αφαιρέσετε το κάτω συρτάρι του καταψύκτη.
  - Για να έχετε περισσότερο χώρο, μπορείτε να αφαιρέσετε το συρόμενο ράφι (10) και τα δύο συρτάρια καταψύκτη (11, 13) που βρίσκονται από κάτω του, αλλά αφήστε το ράφι καταψύκτη στο κάτω συρτάρι του καταψύκτη. Τα θερμικά και μηχανικά χαρακτηριστικά του ψυγείου δεν θα επηρεαστούν. Ο αναφερόμενος όγκος φύλαξης του θαλάμου κατεψυγμένων τροφίμων έχει υπολογιστεί μετά την αφαίρεση του ραφιού και των συρταριών του καταψύκτη.

# Εγκατάσταση

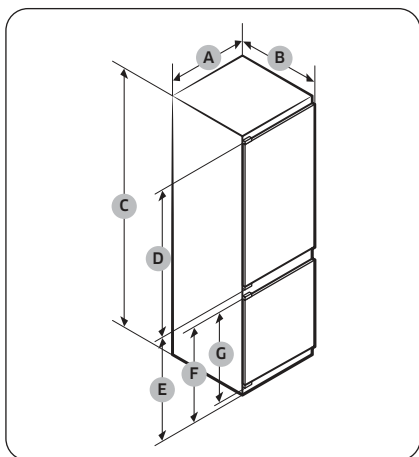
## Εγκατάσταση βήμα προς βήμα

### ΒΗΜΑ 1 Επιλέξτε μια θέση

#### Απαιτήσεις θέσης:

- Γερή και επίπεδη επιφάνεια χωρίς χαλί ή υλικό δαπέδου που ενδέχεται να εμποδίσει τον εξαερισμό
- Μακριά από άμεσο ηλιακό φως
- Επαρκής χώρος για άνοιγμα και κλείσιμο της πόρτας
- Μακριά από πηγές θερμότητας
- Χώρος για συντήρηση και επισκευή

#### Διαστάσεις προϊόντος

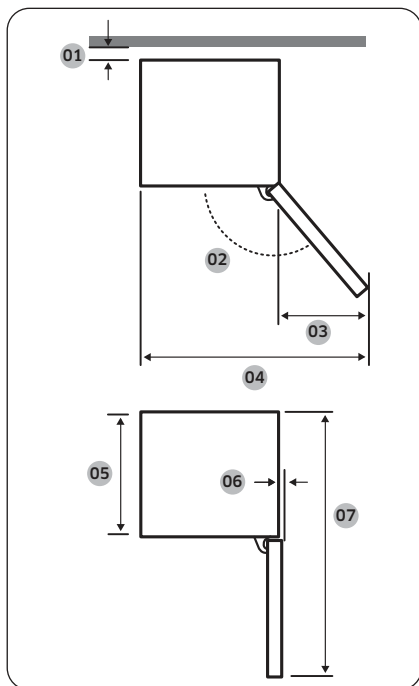


|   | BRB***26*            | BRB***30*            |
|---|----------------------|----------------------|
| A | 540±2                | 540±2                |
| B | 550±2 (με την πόρτα) | 550±2 (με την πόρτα) |
| C | 1775±2               | 1935±2               |
| D | 987                  | 1147                 |
| E | 735                  | 735                  |
| F | 671                  | 671                  |
| G | 621                  | 621                  |

(μονάδες: mm)



## Συνολικές διαστάσεις προϊόντος



| Μοντέλο | BRB*****S0<br>ΣΥΡΟΜΕΝΟΣ ΤΥΠΟΣ    | BRB*****F0<br>ΣΤΑΘΕΡΟΣ ΤΥΠΟΣ |
|---------|----------------------------------|------------------------------|
| 01*     | 10 (Ελάχιστο) / 30 (Συνιστώμενο) |                              |
| 02      | 95° (Συνιστώμενο)                | 115° (Συνιστώμενο)           |
| 03      | 218                              | 180                          |
| 04      | 758                              | 700                          |
| 05      | 510                              | 510                          |
| 06      | 1                                | 5                            |
| 07      | 1055                             | 1055                         |

\* 01: Από το ντουλάπι έως το πίσω μέρος του προϊόντος.  
(μονάδες: mm)

### ΣΗΜΕΙΩΣΗ

- Η καθορισμένη κατανάλωση ενέργειας βασίζεται στη συνθήκη ενός κενού 10 mm ανάμεσα στο ντουλάπι και το πίσω μέρος του προϊόντος. Το προϊόν θα λειτουργεί σωστά ακόμα και με κενό που είναι μικρότερο από 10 mm, ωστόσο, θα καταναλώνει λίγο περισσότερη ενέργεια.
- Συνιστούμε τη χρήση ενός ντουλαπιού που έχει πάχος 18 mm με μεντεσέδες που έχουν πάχος μικρότερο από 20 mm.

### ΣΗΜΕΙΩΣΗ

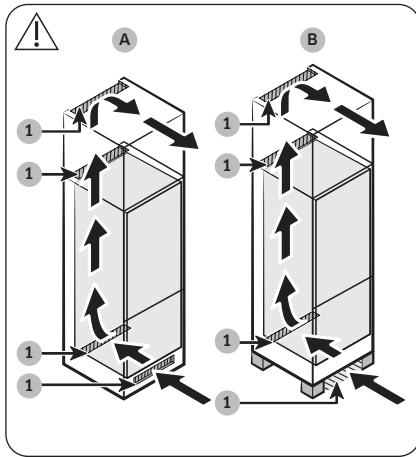
- Οι μετρήσεις στον παραπάνω πίνακα ενδέχεται να διαφέρουν, ανάλογα με τη μέθοδο μέτρησης.
- Για εντοιχισμένη εγκατάσταση, ανατρέξτε στο εγχειρίδιο εγκατάστασης.

# Εγκατάσταση

## Σύστημα εξαερισμού του ντουλαπιού

Ο αέρας που εισέρχεται στο ψυγείο κυκλοφορεί κατά μήκος της διαδρομής εξαερισμού (δείτε την κατεύθυνση του βέλους) του ντουλαπιού, όπως φαίνεται στην εικόνα. Το ντουλάπι πρέπει να έχει ελεύθερο χώρο τουλάχιστον 200 cm<sup>2</sup> (ΠxΥ: 500 mm x 40 mm) τόσο για την είσοδο αέρα όσο και για την έξοδο αέρα. Επίσης, το ντουλάπι πρέπει να έχει ένα πίσω άνοιγμα αερισμού με ελεύθερο χώρο τουλάχιστον 200 cm<sup>2</sup> (ΠxΥ: 500 mm x 40 mm) στο κάτω μέρος της πίσω πλευράς.

Είσοδος αέρα

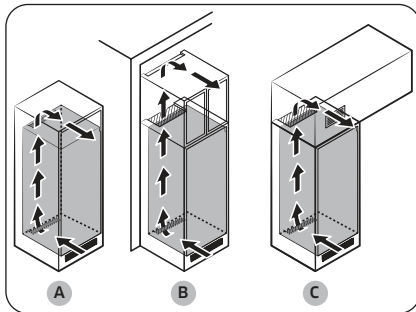


|   |                     |
|---|---------------------|
| 1 | 200 cm <sup>2</sup> |
|---|---------------------|

Η θέση της εισόδου αέρα πρέπει να είναι αυτή που φαίνεται στα παρακάτω παραδείγματα ή μια παρόμοια θέση, ανάλογα με τον τύπο του ντουλαπιού.

- A. Οπή εξαερισμού που περιλαμβάνεται στο ντουλάπι.
- B. Ντουλάπι με πόδια.

Έξοδος αέρα



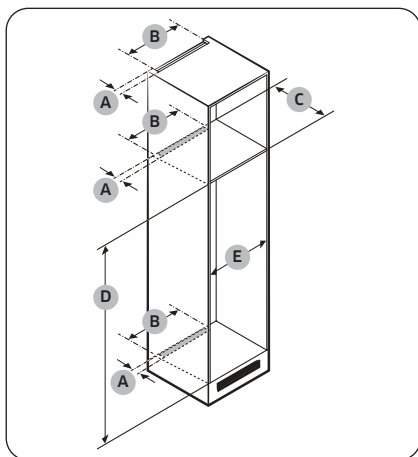
Η θέση της εξόδου αέρα πρέπει να είναι αυτή που φαίνεται στα παρακάτω παραδείγματα ή μια παρόμοια θέση, ανάλογα με τον τύπο του ντουλαπιού.

- A. Ακριβώς πάνω από το ψυγείο με προαιρετική γρίλια εξαερισμού
- B. Κοντά στην κορυφή του ντουλαπιού
- C. Πάνω από το ψυγείο με ξεχωριστό ενσωματωμένο άνοιγμα εξαερισμού

### ⚠ ΠΡΟΣΟΧΗ

Ανεξάρτητα από τη σχεδίαση του ντουλαπιού, το σύστημα εξαερισμού δεν πρέπει να φράζεται από κανένα είδος εγκατάστασης.

## Διαστάσεις ντουλαπιού



### ⚠ ΠΡΟΣΟΧΗ

Αν το ντουλάπι έχει πόρτα, βεβαιωθείτε ότι η πόρτα δεν είναι βαριά, για να αποτρέψετε την πρόκληση κλίσης ή την πτώση του.

| Πόρτα ντουλαπιού | Πάχος (mm)  | Βάρος (kg) |
|------------------|-------------|------------|
| Πλευρά ψυγείου   | Ελάχιστο 16 | Μέγιστο 18 |
| Πλευρά καταψύκτη | Μέγιστο 19  | Μέγιστο 12 |

Οποιαδήποτε βλάβη του προϊόντος λόγω των παρακάτω δεν καλύπτεται από την εγγύηση.

1. Ακατάλληλες συνθήκες τοποθέτησης ή εσφαλμένο μέγεθος ντουλαπιού
2. Ελαττωματικό ντουλάπι
3. Λάθη από τον τεχνικό εγκατάστασης ή τον χρήστη

## Διάκενο

Για τις απαιτήσεις χώρου της εγκατάστασης, ανατρέξτε στις εικόνες και τους πίνακες παρακάτω.

| Μοντέλο                         |             | A (mm) | B (mm) | C (mm) | D (mm) | E (mm) | Παρατήρηση     |
|---------------------------------|-------------|--------|--------|--------|--------|--------|----------------|
| BRB***26**50<br>ΣΥΡΟΜΕΝΟΣ ΤΥΠΟΣ | Ελάχιστο    | 40     | 500    | 560    | 1778   | 560    |                |
|                                 | Συνιστώμενο |        |        | 580    | 1780   | 562    |                |
|                                 | Μέγιστο     |        |        | -      | 1782   | 568    |                |
| BRB***26**F0<br>ΣΤΑΘΕΡΟΣ ΤΥΠΟΣ  | Ελάχιστο    | 40     | 500    | 560    | 1778   | 555    | Μεντεσές 17 mm |
|                                 | Συνιστώμενο |        |        | 580    | 1780   | 562    |                |
|                                 | Μέγιστο     |        |        | -      | 1782   | 568    |                |
| BRB***30**50<br>ΣΥΡΟΜΕΝΟΣ ΤΥΠΟΣ | Ελάχιστο    | 40     | 500    | 560    | 1938   | 560    |                |
|                                 | Συνιστώμενο |        |        | 580    | 1940   | 562    |                |
|                                 | Μέγιστο     |        |        | -      | 1942   | 568    |                |
| BRB***30**F0<br>ΣΤΑΘΕΡΟΣ ΤΥΠΟΣ  | Ελάχιστο    | 40     | 500    | 560    | 1938   | 555    | Μεντεσές 17 mm |
|                                 | Συνιστώμενο |        |        | 580    | 1940   | 562    |                |
|                                 | Μέγιστο     |        |        | -      | 1942   | 568    |                |

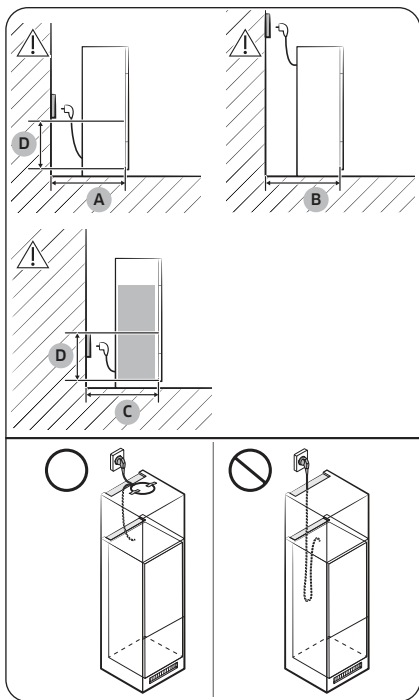
### ☰ ΣΗΜΕΙΩΣΗ

- Αν το πλάτος ενός ντουλαπιού είναι μεγαλύτερο από 568 mm, μπορεί να χαλαρώσει το παρέμβυσμα (ανάμεσα στο ψυγείο και το ντουλάπι).

# Εγκατάσταση

- Αν το ντουλάπι είναι ψηλότερο από τις μέγιστες διαστάσεις (1782 mm), πρέπει να χρησιμοποιήσετε άλλα υλικά επένδυσης για να γεμίσετε το κενό.

## Θέση πρίζας και απαιτούμενος χώρος



|   |              |
|---|--------------|
| A | Ελάχιστο 590 |
| B | Ελάχιστο 560 |
| C | Ελάχιστο 580 |
| D | 240          |

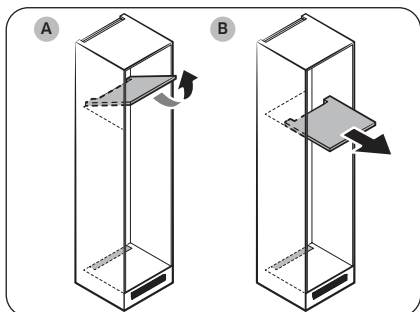
(μονάδες: mm)

## ΣΗΜΕΙΩΣΗ

Αν εγκαταστήσετε το ψυγείο σε ένα ντουλάπι με βάθος 560 mm, φροντίστε να τακτοποιήσετε το καλώδιο ρεύματος στη μια πλευρά του ψυγείου προτού το συνδέσετε στην πρίζα. Αν το καλώδιο ρεύματος κρέμεται στο πίσω μέρος του ψυγείου, μπορεί να μειωθεί η ενεργειακή απόδοση.

## Τύπος ντουλαπιού

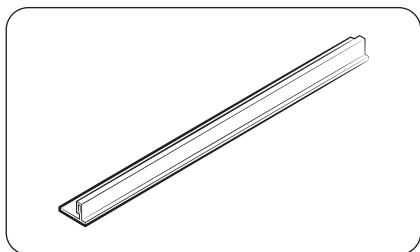
Ο συνιστώμενος τύπος ντουλαπιού είναι ένας από τους παρακάτω:



### ΣΗΜΕΙΩΣΗ

Αν χρησιμοποιήσετε οποιονδήποτε από αυτούς τους τύπους ντουλαπιού, δεν χρειάζεται να αφαιρέσετε την κεντρική μονάδα από το ντουλάπι για να επισκευάσετε μια ελαττωματική κύρια πλακέτα PBA. Αν χρησιμοποιήσετε άλλο τύπο ντουλαπιού, πρέπει να αφαιρέσετε την κεντρική μονάδα από το ντουλάπι για επισκευή.

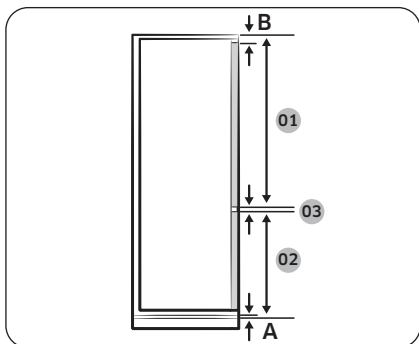
- A. Αναδιπλούμενος τύπος
- B. Συρόμενος τύπος



### ΣΗΜΕΙΩΣΗ

- Η χρήση ενός ντουλαπιού μη συνιστώμενου μεγέθους μπορεί να προκαλέσει τη χαλάρωση του παρεμβύσματος ανάμεσα στο ψυγείο και το ντουλάπι μετά την τοποθέτηση του ψυγείου στο ντουλάπι.

# Εγκατάσταση



## ΣΗΜΕΙΩΣΗ

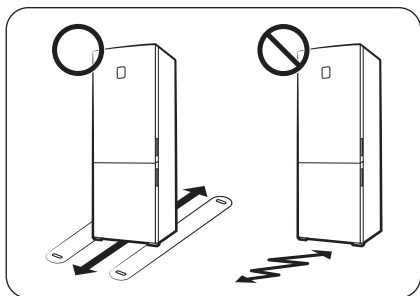
Για να εγκαταστήσετε ένα ντουλάπι που απαιτεί διάκενο 3 mm (03), ανατρέξτε στον πίνακα αναφοράς ντουλαπιών παρακάτω.

| Μοντέλο | BRB***26**S0<br>ΣΥΡΟΜΕΝΟΣ ΤΥΠΟΣ                | BRB***26**F0<br>ΣΤΑΘΕΡΟΣ ΤΥΠΟΣ    |
|---------|--|-----------------------------------|
| 01      | Ελάχιστο 1041+B<br>Μέγιστο 1102+B              | Ελάχιστο 1063+B<br>Μέγιστο 1076+B |
| 02      | Ελάχιστο 670+A<br>Μέγιστο 731+A                | Ελάχιστο 696+A<br>Μέγιστο 709+A   |
| 03      | 3 mm<br>(διάκενο πορτών ψυγείου και καταψύκτη) |                                   |

| Μοντέλο | BRB***30**S0<br>ΣΥΡΟΜΕΝΟΣ ΤΥΠΟΣ                | BRB***30**F0<br>ΣΤΑΘΕΡΟΣ ΤΥΠΟΣ    |
|---------|--|-----------------------------------|
| 01      | Ελάχιστο 1204+B<br>Μέγιστο 1262+B              | Ελάχιστο 1223+B<br>Μέγιστο 1236+B |
| 02      | Ελάχιστο 670+A<br>Μέγιστο 731+A                | Ελάχιστο 696+A<br>Μέγιστο 709+A   |
| 03      | 3 mm<br>(διάκενο πορτών ψυγείου και καταψύκτη) |                                   |

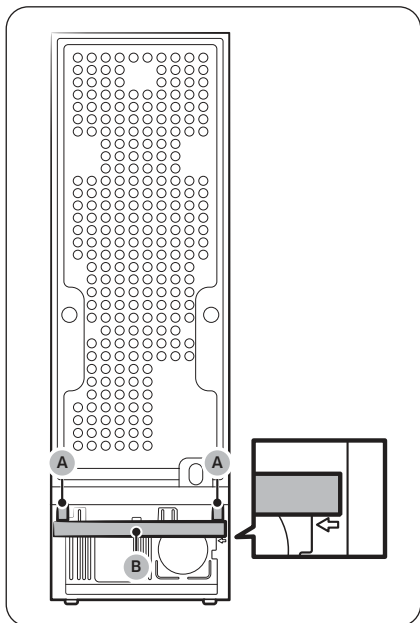
- A. Κάτω άκρη του μπροστινού πίνακα πάνω από το άνοιγμα εξαερισμού
- B. Προεξοχή μπροστινού πίνακα

## ΒΗΜΑ 2 Δάπεδο



- Η επιφάνεια στην οποία θα εγκατασταθεί το ψυγείο πρέπει να αντέχει το βάρος ενός γεμάτου ψυγείου.
- Για να προστατεύσετε το δάπεδο, τοποθετήστε ένα μεγάλο κομμάτι χαρτόνι κάτω από το κάθε πόδι του ψυγείου.
- Αφού τοποθετήσετε το ψυγείο στην τελική του θέση, μην το μετακινείτε εκτός αν είναι απαραίτητο, ώστε να προστατεύσετε το δάπεδο. Αν πρέπει να το μετακινήσετε, τοποθετήστε παχύ χαρτί ή ύφασμα, όπως παλιό χαλί, κατά μήκος της διαδρομής του.

## ΒΗΜΑ 3 Αποστατικά (μόνο για τα κατάλληλα μοντέλα)



Προσαρτήστε τα παρεχόμενα **αποστατικά (A)** και το **απορροφητικό υλικό (B)**, όπως φαίνεται στην εικόνα, για βέλτιστη ενεργειακή απόδοση.

### ⚠ ΠΡΟΣΟΧΗ

Αν το ψυγείο δεν είναι ισόπεδο με το ντουλάπι, μπορείτε να κόψετε τα αποστατικά για να καταστήσετε το ψυγείο ισόπεδο με το ντουλάπι, αλλά δεν μπορεί να είναι εγγυημένη η βέλτιστη ενεργειακή απόδοση.

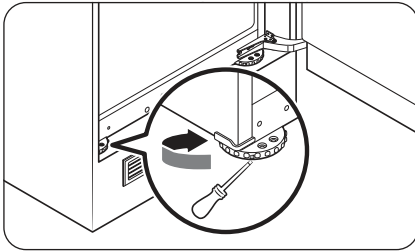
# Εγκατάσταση

## ΒΗΜΑ 4 Προσαρμογή των ποδιών οριζοντίωσης

### ⚠ ΠΡΟΣΟΧΗ

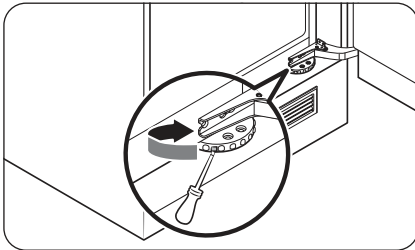
- Το ψυγείο πρέπει να είναι οριζοντιωμένο, σε ένα επίπεδο και γερό δάπεδο. Διαφορετικά, μπορεί να προκληθεί ζημιά στο ψυγείο ή τραυματισμός.
- Η οριζοντίωση πρέπει να γίνεται με το ψυγείο άδειο. Βεβαιωθείτε ότι δεν υπάρχουν τρόφιμα μέσα στο ψυγείο.

Το ψυγείο μπορεί να οριζοντιωθεί χρησιμοποιώντας τα εμπρός πόδια, τα οποία διαθέτουν ειδική βίδα (εξάρτημα οριζοντίωσης) για αυτόν τον σκοπό. Χρησιμοποιήστε ένα κατασβίδι με επίπεδη κεφαλή για την οριζοντίωση.



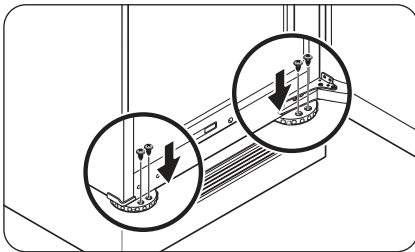
### Για να προσαρμόσετε το ύψος της αριστερής πλευράς:

Τοποθετήστε ένα κατασβίδι με επίπεδη κεφαλή μέσα στο εξάρτημα οριζοντίωσης του εμπρός αριστερού ποδιού. Περιστρέψτε το εξάρτημα οριζοντίωσης δεξιόστροφα για να το ανυψώσετε ή αριστερόστροφα για να το χαμηλώσετε.



### Για να προσαρμόσετε το ύψος της δεξιάς πλευράς:

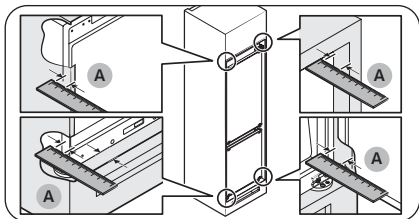
Τοποθετήστε ένα κατασβίδι με επίπεδη κεφαλή μέσα στο εξάρτημα οριζοντίωσης του εμπρός δεξιού ποδιού. Περιστρέψτε το εξάρτημα οριζοντίωσης δεξιόστροφα για να το ανυψώσετε ή αριστερόστροφα για να το χαμηλώσετε.



### 📄 ΣΗΜΕΙΩΣΗ

Φροντίστε να υπάρχει κενό 41 mm (A: τόσο για τον συρόμενο μεντεσέ όσο και για τον σταθερό μεντεσέ) ανάμεσα στο ψυγείο και το ντουλάπι ή την εσοχή. Στη συνέχεια, στερεώστε τα εμπρός πόδια χρησιμοποιώντας τις βίδες.

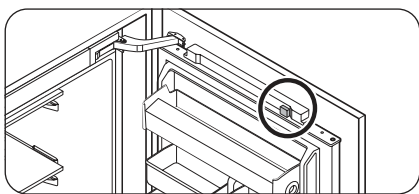




### ΒΗΜΑ 5 Αρχικές ρυθμίσεις

Μετά την ολοκλήρωση των παρακάτω βημάτων, το ψυγείο θα πρέπει να είναι πλήρως λειτουργικό.

1. Αφαιρέστε τα φύλλα αφρού πολυαιθυλενίου, τα οποία τοποθετούνται για την προστασία του ψυγείου κατά τη μεταφορά, από κάθε γωνία ραφιού.
2. Ανοίξτε την πόρτα και βεβαιωθείτε ότι ανάβει η εσωτερική λυχνία.



3. Αφαιρέστε τον αφρό πολυαιθυλενίου από τον μαγνήτη στο επάνω μέρος της πόρτας.

4. Ρυθμίστε τη θερμοκρασία στη χαμηλότερη τιμή και περιμένετε για περίπου μία ώρα. Στη συνέχεια, ο καταψύκτης θα είναι ελαφρώς κρύος και το μοτέρ θα λειτουργεί ομαλά.
5. Περιμένετε μέχρι το ψυγείο να φτάσει στη ρυθμισμένη θερμοκρασία. Πλέον το ψυγείο είναι έτοιμο για χρήση.

#### ΣΗΜΕΙΩΣΗ

Όταν ενεργοποιείται το ψυγείο, ακούγεται ο ήχος ειδοποίησης. Για να απενεργοποιήσετε την ειδοποίηση, πατήστε το κουμπί **Freezer (Καταψύκτης)** ή **Fridge (Ψυγείο)**.

# Εγκατάσταση

---

## ΒΗΜΑ 6 Ειδοποίηση θερμοκρασίας (μόνο για τα κατάλληλα μοντέλα)

---

### Τύπος 1

- Η ένδειξη «-» αναβοσβήνει στην οθόνη θερμοκρασίας του ψυγείου και ακούγεται ένας ήχος ειδοποίησης αν ο θάλαμος καταψύκτη είναι πολύ ζεστός. Αυτό ενδέχεται να συμβεί αν η θερμοκρασία του καταψύκτη είναι πολύ υψηλή μετά από μια διακοπή ρεύματος.
- Σε αυτήν την περίπτωση, πατήστε το κουμπί **Freezer (Καταψύκτης)** ή **Fridge (Ψυγείο)**. Η υψηλότερη θερμοκρασία εμφανίζεται για 5 δευτερόλεπτα. Στη συνέχεια, εμφανίζεται η πραγματική θερμοκρασία. Για να απενεργοποιήσετε την ειδοποίηση, πατήστε το κουμπί **Door Alarm (Ειδοποίηση πόρτας)**.

### Τύπος 2

- Η ένδειξη θερμοκρασίας του ψυγείου αναβοσβήνει και ακούγεται ένας ήχος ειδοποίησης αν ο θάλαμος καταψύκτη είναι πολύ ζεστός. Αυτό ενδέχεται να συμβεί αν η θερμοκρασία του καταψύκτη είναι πολύ υψηλή μετά από μια διακοπή ρεύματος. Για να απενεργοποιήσετε την ειδοποίηση, πατήστε το κουμπί **Freezer (Καταψύκτης)** ή **Fridge (Ψυγείο)**.

## ΒΗΜΑ 7 Τελικός έλεγχος

---

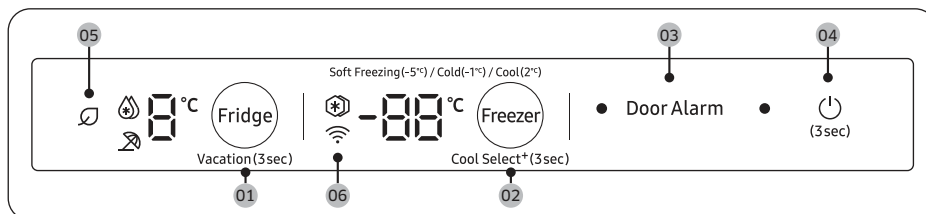
Όταν ολοκληρωθεί η εγκατάσταση, επιβεβαιώστε τα εξής:

- Το ψυγείο είναι συνδεδεμένο σε μια πρίζα και είναι γειωμένο σωστά.
- Το ψυγείο είναι εγκατεστημένο σε μια επίπεδη και ομαλή επιφάνεια, σε εύλογη απόσταση από τον τοίχο ή το ντουλάπι.
- Το ψυγείο είναι οριζόντιο και στηρίζεται σταθερά στο έπιπλο.
- Η πόρτα ανοίγει και κλείνει εύκολα, ενώ η εσωτερική λυχνία ανάβει αυτόματα όταν ανοίγετε την πόρτα.

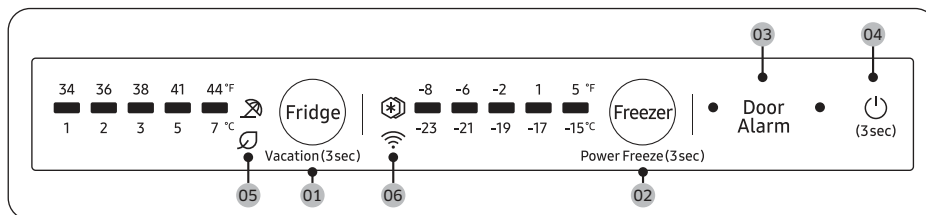
# Λειτουργίες

## Κύριος πίνακας

### ΤΥΠΟΣ 1



### ΤΥΠΟΣ 2



**01** Fridge (Ψυγείο) / Vacation (Διακοπές)

**02** Freezer (Καταψύκτης) / Power Freeze (Γρήγορη κατάψυξη) / Cool Select+ (Επιλογή ψύξης+)\*

**03** Door Alarm (Ειδοποίηση πόρτας)

**04** (Λειτουργία)

**05** AI Energy Mode

**06** Σύνδεση δικτύου




\* μόνο για τα κατάλληλα μοντέλα

### ΣΗΜΕΙΩΣΗ





Οι ενδεικτικές λυχνίες LED ανάβουν όλες μαζί όταν η πόρτα ανοίγει ή σβήνουν όλες μαζί όταν η πόρτα κλείνει.

# Λειτουργίες

## 01 Ψυγείο / Διακοπές (3 δευτ.)

|                            |  |
|----------------------------|--|
| <b>Fridge (Ψυγείο)</b>     | <p>Για να προσαρμόσετε τη θερμοκρασία του ψυγείου, πατήστε το κουμπί <b>Fridge (Ψυγείο)</b> για να επιλέξετε την αντίστοιχη θερμοκρασία.<br/>Μπορείτε να αλλάξετε τη θερμοκρασία μεταξύ 1 °C και 7 °C (προεπιλογή: 3 °C).</p> <p><b>Γρήγορη ψύξη (Τύπος 1)</b><br/>Η λειτουργία Power Cool (Γρήγορη ψύξη) επιταχύνει τη διαδικασία ψύξης στη μέγιστη ταχύτητα ανεμιστήρα. Το ψυγείο λειτουργεί συνεχώς σε πλήρη ισχύ για δύομισι ώρες και, στη συνέχεια, επανέρχεται στην προηγούμενη θερμοκρασία.</p> <ul style="list-style-type: none"><li>• Για να ενεργοποιήσετε τη λειτουργία Power Cool (Γρήγορη ψύξη), επιλέξτε θερμοκρασία 1 °C και, στη συνέχεια, πατήστε το κουμπί <b>Fridge (Ψυγείο)</b> για να επιλέξετε Power Cool (Γρήγορη ψύξη). Η αντίστοιχη ενδεικτική λυχνία (  ) ανάβει και το ψυγείο επιταχύνει αυτόματα τη διαδικασία ψύξης.</li><li>• Για να απενεργοποιήσετε τη λειτουργία Power Cool (Γρήγορη ψύξη), πατήστε ξανά το κουμπί <b>Fridge (Ψυγείο)</b>. Στη συνέχεια, η θερμοκρασία του ψυγείου θα επανέλθει στους 7 °C.</li></ul> <p> <b>ΣΗΜΕΙΩΣΗ</b><br/>Η χρήση της λειτουργίας Power Cool (Γρήγορη ψύξη) αυξάνει την κατανάλωση ενέργειας. Αν δεν σκοπεύετε να τη χρησιμοποιήσετε, φροντίστε να την απενεργοποιήσετε για να επανέλθετε στην προηγούμενη θερμοκρασία.</p> |
| <b>Vacation (Διακοπές)</b> | <ul style="list-style-type: none"><li>• Αν πρόκειται να λείψετε σε διακοπές ή σε επαγγελματικό ταξίδι, ή αν δεν σκοπεύετε να χρησιμοποιήσετε το ψυγείο για παρατεταμένο χρονικό διάστημα, χρησιμοποιήστε τη λειτουργία Vacation (Διακοπές). Η θερμοκρασία του ψυγείου διατηρείται χαμηλότερη από 17 °C, αλλά ο καταψύκτης παραμένει ενεργός στην προηγούμενη ρύθμιση.</li><li>• Για να ενεργοποιήσετε ή να απενεργοποιήσετε τη λειτουργία Vacation (Διακοπές), κρατήστε πατημένο το κουμπί <b>Fridge (Ψυγείο)</b> για 3 δευτερόλεπτα.</li></ul> <p> <b>ΣΗΜΕΙΩΣΗ</b></p> <ul style="list-style-type: none"><li>• Προτού χρησιμοποιήσετε τη λειτουργία διακοπών, φροντίστε να αφαιρέσετε τα τρόφιμα από τον θάλαμο του ψυγείου.</li><li>• Η λειτουργία Vacation (Διακοπές) απενεργοποιείται αν προσαρμόσετε τη θερμοκρασία.</li></ul>   |

## 02 Καταψύκτης / Γρήγορη κατάψυξη (3 δευτ.) / Επιλογή ψύξης+ (3 δευτ.)

|  |   |
|--|---|
| <b>Freezer<br/>(Καταψύκτης)</b>            | <p>Το κουμπί <b>Freezer (Καταψύκτης)</b> μπορεί να χρησιμοποιηθεί για τη ρύθμιση της θερμοκρασίας του καταψύκτη.</p> <p>Οι διαθέσιμες θερμοκρασίες είναι μεταξύ -15 °C και -23 °C (προεπιλογή: -19 °C).</p> <p> <b>ΣΗΜΕΙΩΣΗ</b></p> <p>Δεν μπορείτε να αλλάξετε τη θερμοκρασία στη λειτουργία Cool Select+ (Επιλογή ψύξης+).</p>   |
| <b>Power Freeze<br/>(Γρήγορη κατάψυξη)</b> | <p>Η λειτουργία Power Freeze (Γρήγορη κατάψυξη) επιταχύνει τη διαδικασία κατάψυξης στη μέγιστη ταχύτητα ανεμιστήρα. Ο καταψύκτης λειτουργεί συνεχώς σε πλήρη ισχύ για 50 ώρες και, στη συνέχεια, επανέρχεται στην προηγούμενη θερμοκρασία. Για να καταψύξετε μεγάλες ποσότητες τροφίμων, ενεργοποιήστε τη λειτουργία Power Freeze (Γρήγορη κατάψυξη) επί τουλάχιστον 20 ώρες προτού τοποθετήσετε τα τρόφιμα στον καταψύκτη.</p> <p><b>Τύπος 1</b></p> <ul style="list-style-type: none"><li>• Για να ενεργοποιήσετε τη λειτουργία Power Freeze (Γρήγορη κατάψυξη), επιλέξτε θερμοκρασία -23 °C και, στη συνέχεια, πατήστε το κουμπί <b>Freezer (Καταψύκτης)</b> για να επιλέξετε Power Freeze (Γρήγορη κατάψυξη).<br/>Η αντίστοιχη ενδεικτική λυχνία (  ) ανάβει και το ψυγείο επιταχύνει αυτόματα τη διαδικασία κατάψυξης.</li><li>• Όταν ολοκληρώνεται η διαδικασία Power Freeze (Γρήγορη κατάψυξη), η αντίστοιχη ενδεικτική λυχνία σβήνει και ο καταψύκτης επανέρχεται στην προηγούμενη ρύθμιση θερμοκρασίας.</li><li>• Για να απενεργοποιήσετε τη λειτουργία Power Freeze (Γρήγορη κατάψυξη), πατήστε ξανά το κουμπί <b>Freezer (Καταψύκτης)</b>.<br/>Ο καταψύκτης επανέρχεται στην προηγούμενη ρύθμιση θερμοκρασίας.</li></ul> <p><b>Τύπος 2</b></p> <ul style="list-style-type: none"><li>• Για να ενεργοποιήσετε τη λειτουργία Power Freeze (Γρήγορη κατάψυξη), κρατήστε πατημένο το κουμπί <b>Freezer (Καταψύκτης)</b> για 3 δευτερόλεπτα και επιλέξτε Power Freeze (Γρήγορη κατάψυξη).<br/>Η αντίστοιχη ενδεικτική λυχνία (  ) ανάβει και το ψυγείο επιταχύνει αυτόματα τη διαδικασία κατάψυξης.</li><li>• Για να απενεργοποιήσετε τη λειτουργία Power Freeze (Γρήγορη κατάψυξη), κρατήστε πατημένο ξανά το κουμπί <b>Freezer (Καταψύκτης)</b> για 3 δευτερόλεπτα.<br/>Ο καταψύκτης επανέρχεται στην προηγούμενη ρύθμιση θερμοκρασίας και η ενδεικτική λυχνία σβήνει.</li></ul> <p> <b>ΣΗΜΕΙΩΣΗ</b></p> <p>Η χρήση της λειτουργίας Power Freeze (Γρήγορη κατάψυξη) αυξάνει την κατανάλωση ενέργειας. Αν δεν σκοπεύετε να τη χρησιμοποιήσετε, φροντίστε να την απενεργοποιήσετε για να επανέλθει στην προηγούμενη θερμοκρασία.</p> |

# Λειτουργίες


|   |  |
|---|--|
| <b>Cool Select+ (Επιλογή ψύξης+)</b><br>(Τύπος 1) | <p>Κάθε φορά που κρατάτε πατημένο το κουμπί <b>Cool Select+ (Επιλογή ψύξης+)</b> για 3 δευτερόλεπτα, ο τρόπος λειτουργίας αλλάζει με αυτή τη σειρά:<br/>Freeze (Κατάψυξη) → Soft Freezing (Απαλή κατάψυξη) (-5 °C) → Cold (Κρύο) (-1 °C) → Cool (Ψύξη) (2 °C)</p> <p><b>⚠ ΠΡΟΣΟΧΗ</b></p> <ul style="list-style-type: none"><li>• Αν αλλάξετε τη λειτουργία από Freezer (Καταψύκτης) σε Cool Select+ (Επιλογή ψύξης+), ενδέχεται να διαρρεύσουν ζουμιά ή υγρά από τα αποθηκευμένα τρόφιμα.</li><li>• Μην αποθηκεύετε κρέας ή ψάρια για παρατεταμένο χρονικό διάστημα στη λειτουργία Cool Select+ (Επιλογή ψύξης+). Τα τρόφιμα ενδέχεται να παγώσουν ή να χαλάσουν, λόγω των ακατάλληλων ρυθμίσεων θερμοκρασίας για τη φύλαξή τους.</li><li>• Αν το ψυγείο ενεργοποιηθεί ξανά μετά από παρατεταμένο χρονικό διάστημα αδράνειας, οι ρυθμίσεις της λειτουργίας Cool Select+ (Επιλογή ψύξης+) ενδέχεται να επανέλθουν στις εργοστασιακές προεπιλογές. Προτού χρησιμοποιήσετε το ψυγείο, ελέγξτε τις ρυθμίσεις της λειτουργίας Cool Select+ (Επιλογή ψύξης+).</li></ul> |
|---|--|

## 03 Ειδοποίηση πόρτας


|                                       |   |
|---------------------------------------|---|
| <b>Door Alarm (Ειδοποίηση πόρτας)</b> | <p>Μπορείτε να ρυθμίσετε την ειδοποίηση για υπενθύμιση. Αν η πόρτα παραμείνει ανοιχτή για περισσότερο από 2 λεπτά, ακούγεται ο ήχος ειδοποίησης και αναβοσβήνει η ενδεικτική λυχνία ειδοποίησης.</p> <p>Μπορείτε να ενεργοποιήσετε και να απενεργοποιήσετε εναλλακτικά την ειδοποίηση πατώντας το κουμπί <b>Door Alarm (Ειδοποίηση πόρτας)</b>.</p> |
|---------------------------------------|---|

## 04 (Λειτουργία)

Για να ενεργοποιήσετε το ψυγείο, κρατήστε πατημένο το κουμπί  για 3 δευτερόλεπτα.

Αν κρατήσετε πατημένο ξανά το κουμπί  για 3 δευτερόλεπτα, το ψυγείο απενεργοποιείται και σβήνουν οι λυχνίες του θαλάμου.

## 05 AI Energy Mode (μόνο για τα κατάλληλα μοντέλα)

Το εικονίδιο  εμφανίζεται όταν η δυνατότητα AI Energy Mode είναι ενεργοποιημένη. Μπορείτε να ενεργοποιήσετε ή να απενεργοποιήσετε τη δυνατότητα AI Energy Mode στην εφαρμογή SmartThings. (μόνο για τα κατάλληλα μοντέλα)

## 06 Σύνδεση δικτύου (μόνο για τα κατάλληλα μοντέλα)

Μπορείτε να ελέγχετε και να παρακολουθείτε το ψυγείο σας από την εφαρμογή SmartThings. Για περισσότερες πληροφορίες, ανατρέξτε στην ενότητα **SmartThings (μόνο για τα κατάλληλα μοντέλα)**.

### ΣΗΜΕΙΩΣΗ

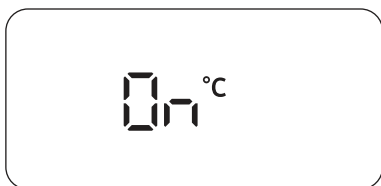
Αν το ψυγείο δεν έχει συνδεθεί στην εφαρμογή SmartThings, το εικονίδιο του Wi-Fi (📶) αναβοσβήνει για να σας ειδοποιήσει. Αν δείτε το εικονίδιο Wi-Fi (📶) να αναβοσβήνει, συστήνουμε να συνδέσετε το ψυγείο σας στην εφαρμογή SmartThings.

### Ενεργοποίηση ή απενεργοποίηση του Wi-Fi (μόνο για τα κατάλληλα μοντέλα)

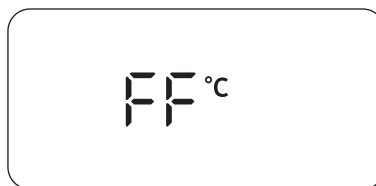
#### Τύπος 1

Για να ενεργοποιήσετε ή να απενεργοποιήσετε το Wi-Fi, κρατήστε πατημένο το κουμπί **Fridge (Ψυγείο)** για 10 δευτερόλεπτα. Η κατάσταση του Wi-Fi εμφανίζεται στην οθόνη για 5 δευτερόλεπτα (όπως φαίνεται στην εικόνα).

Wi-Fi ενεργοποιημένο



Wi-Fi απενεργοποιημένο



#### Τύπος 2

Για να ενεργοποιήσετε ή να απενεργοποιήσετε το Wi-Fi, κρατήστε πατημένο το κουμπί **Fridge (Ψυγείο)** για 10 δευτερόλεπτα. Το εικονίδιο Wi-Fi (📶) υποδεικνύει την κατάσταση του Wi-Fi όπως φαίνεται παρακάτω.

- Wi-Fi απενεργοποιημένο: Το εικονίδιο Wi-Fi (📶) αναβοσβήνει για 5 δευτερόλεπτα και, στη συνέχεια, σβήνει.
- Wi-Fi ενεργοποιημένο: Το εικονίδιο Wi-Fi (📶) αναβοσβήνει για 5 δευτερόλεπτα και, στη συνέχεια, ανάβει για 5 δευτερόλεπτα.

### ΣΗΜΕΙΩΣΗ

- Όταν ρυθμίζετε το Wi-Fi για να συνδέσετε το ψυγείο με την εφαρμογή SmartThings, η λειτουργία Wi-Fi ενεργοποιείται.
- Για περισσότερες πληροφορίες, ανατρέξτε στην ενότητα **SmartThings (μόνο για τα κατάλληλα μοντέλα)**.

# Λειτουργίες

## SmartThings (μόνο για τα κατάλληλα μοντέλα)

### Εγκατάσταση

Επισκεφτείτε το Google Play Store, το Galaxy Apps ή το Apple App Store και αναζητήστε την εφαρμογή «SmartThings». Λάβετε και εγκαταστήστε την εφαρμογή SmartThings που παρέχεται από τη Samsung Electronics στην έξυπνη συσκευή σας.

### ΣΗΜΕΙΩΣΗ

- Η υποστηριζόμενη έκδοση λογισμικού της εφαρμογής SmartThings υπόκειται σε αλλαγές, σύμφωνα με την πολιτική υποστήριξης λειτουργικού συστήματος που παρέχει ο κατασκευαστής. Επιπλέον, όσον αφορά την εφαρμογή SmartThings ή τις λειτουργίες που υποστηρίζει η εφαρμογή, η πολιτική νέων ενημερώσεων εφαρμογής στην υπάρχουσα έκδοση λειτουργικού συστήματος μπορεί να ανασταλεί για λόγους χρηστικότητας ή ασφαλείας.
- Η εφαρμογή SmartThings υπόκειται σε αλλαγές χωρίς προειδοποίηση για τη βελτίωση της χρηστικότητας ή της απόδοσης. Καθώς η έκδοση λειτουργικού συστήματος του κινητού τηλεφώνου ενημερώνεται κάθε έτος, η εφαρμογή SmartThings ενημερώνεται επίσης συνεχώς σύμφωνα με το τελευταίο λειτουργικό σύστημα. Αν έχετε ερωτήσεις σχετικά με τα προαναφερθέντα, επικοινωνήστε μαζί μας στο [st.service@samsung.com](mailto:st.service@samsung.com)
- Τα συνιστώμενα συστήματα κρυπτογράφησης περιλαμβάνουν τα WPA/TKIP και WPA2/AES. Δεν υποστηρίζονται τυχόν νεότερα ή μη τυπικά πρωτόκολλα ελέγχου ταυτότητας Wi-Fi.
- Τα ασύρματα δίκτυα ενδέχεται να επηρεαστούν από το περιβάλλον ασύρματης επικοινωνίας.
- Αν ο πάροχος υπηρεσιών Διαδικτύου έχει καταχωρίσει τη διεύθυνση MAC του υπολογιστή ή του μόντεμ σας ώστε να αναγνωρίζει, το έξυπνο ψυγείο Samsung ενδέχεται να μη συνδέεται στο Διαδίκτυο. Αν συμβεί αυτό, επικοινωνήστε με τον πάροχο υπηρεσιών Διαδικτύου για τεχνική υποστήριξη.
- Οι ρυθμίσεις τείχους προστασίας του συστήματος δικτύου σας ενδέχεται να αποτρέπουν την πρόσβαση του έξυπνου ψυγείου Samsung στο Διαδίκτυο. Επικοινωνήστε με τον πάροχο υπηρεσιών Διαδικτύου για τεχνική υποστήριξη. Αν αυτό το σύμπτωμα συνεχίζει να παρουσιάζεται, επικοινωνήστε με το τοπικό επισκευαστικό κέντρο ή τον έμπορο λιανικής της Samsung.
- Για να διαμορφώσετε τις ρυθμίσεις του ασύρματου σημείου πρόσβασης (AP), ανατρέξτε στο εγχειρίδιο χρήσης του σημείου πρόσβασης (δρομολογητή).
- Τα έξυπνα ψυγεία Samsung υποστηρίζουν τα πρωτόκολλα Wi-Fi 2,4 GHz με IEEE 802.11 b/g/n και Soft-AP. (Συνιστάται IEEE 802.11 n).
- Οι μη συγκεκριμένοι δρομολογητές ασύρματου δικτύου Wi-Fi ενδέχεται να μη συνδέονται με τα κατάλληλα έξυπνα ψυγεία Samsung.



## Λογαριασμός Samsung

Για να χρησιμοποιήσετε την εφαρμογή, απαιτείται να καταχωρίσετε τον δικό σας λογαριασμό Samsung. Αν δεν διαθέτετε λογαριασμό Samsung, ακολουθήστε τις οδηγίες της εφαρμογής στην οθόνη για να δημιουργήσετε δωρεάν έναν λογαριασμό Samsung.

## Έναρξη χρήσης

Ενεργοποιήστε τη συσκευή που θέλετε να συνδέσετε, ανοίξτε την εφαρμογή SmartThings στο κινητό σας και, στη συνέχεια, ακολουθήστε τις παρακάτω οδηγίες.

Αν εμφανιστεί ένα αναδυόμενο μήνυμα που δηλώνει ότι βρέθηκε μια νέα συσκευή, πατήστε **ADD NOW (ΠΡΟΣΘΗΚΗ ΤΩΡΑ)**.

Αν δεν εμφανιστεί κανένα αναδυόμενο μήνυμα, πατήστε το κουμπί + και, στη συνέχεια, επιλέξτε τη συσκευή που θέλετε να συνδέσετε από τη λίστα των διαθέσιμων συσκευών.

Αν η συσκευή σας δεν βρίσκεται στη λίστα των διαθέσιμων συσκευών, πατήστε **Supported Devices (Υποστηριζόμενες συσκευές)**, επιλέξτε τον τύπο της συσκευής (ψυγείο) και, στη συνέχεια, επιλέξτε το μοντέλο της συγκεκριμένης συσκευής. Ακολουθήστε τις οδηγίες στην εφαρμογή για να ρυθμίσετε τη συσκευή σας. Αφού ολοκληρωθεί η ρύθμιση, το ψυγείο σας θα εμφανίζεται ως «κάρτα» στην οθόνη **Devices (Συσκευές)**.

## Ολοκληρωμένος έλεγχος


Μπορείτε να παρακολουθείτε και να ελέγχετε το ψυγείο σας στο σπίτι και εν κινήσει.

- Πατήστε το εικονίδιο ψυγείου στον πίνακα εργαλείων SmartThings ή πατήστε το εικονίδιο συσκευών στο κάτω μέρος του πίνακα εργαλείων και, στη συνέχεια, πατήστε στην «κάρτα» ψυγείου για να ανοίξετε τη σελίδα του ψυγείου.
- Ελέγξτε την κατάσταση λειτουργίας ή τις ειδοποιήσεις που σχετίζονται με το ψυγείο σας και κατόπιν αλλάξτε τις επιλογές ή τις ρυθμίσεις, αν είναι απαραίτητο.

## ΣΗΜΕΙΩΣΗ

Ορισμένες επιλογές ή ρυθμίσεις του ψυγείου ενδέχεται να μην είναι διαθέσιμες για απομακρυσμένο έλεγχο.

# Λειτουργίες

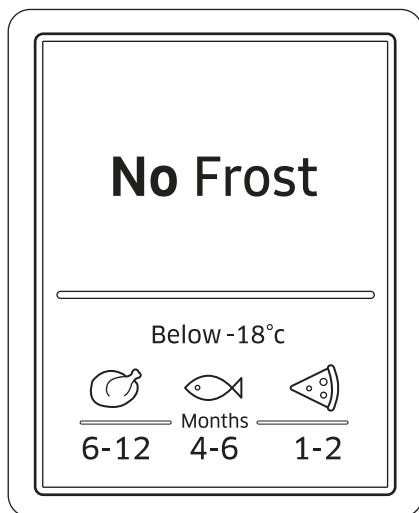
| Κατηγορία                                      | Χαρακτηριστικό  | Περιγραφή  |
|--|---|--|
| Παρακολούθηση                                  | Θερμοκρασία ψυγείου   | Εμφανίζει τη ρύθμιση τρέχουσας θερμοκρασίας του ψυγείου.   |
|  | Θερμοκρασία καταψύκτη   | Εμφανίζει τη ρύθμιση τρέχουσας θερμοκρασίας του καταψύκτη.   |
| Λειτουργίες                                    | Γρήγορη ψύξη (μόνο για τα κατάλληλα μοντέλα)  | Μπορείτε να ενεργοποιήσετε ή να απενεργοποιήσετε τη λειτουργία γρήγορης ψύξης και να ελέγξετε τις τρέχουσες ρυθμίσεις.     |
|  | Γρήγορη κατάψυξη  | Μπορείτε να ενεργοποιήσετε ή να απενεργοποιήσετε τη λειτουργία γρήγορης κατάψυξης και να ελέγξετε τις τρέχουσες ρυθμίσεις. |
|  | Θερμοκρασία ψυγείου   | Μπορείτε να ρυθμίσετε την επιθυμητή θερμοκρασία του ψυγείου.   |
|  | Θερμοκρασία καταψύκτη   | Μπορείτε να ρυθμίσετε την επιθυμητή θερμοκρασία του καταψύκτη.   |
| Ειδοποιήσεις                                   | Αφύσικα υψηλή θερμοκρασία   | Αυτή η ειδοποίηση ενεργοποιείται όταν η θερμοκρασία του ψυγείου ή του καταψύκτη είναι αφύσικα υψηλή.                       |
|  | Άνοιγμα πόρτας  | Αυτή η ειδοποίηση ενεργοποιείται αν η πόρτα παραμείνει ανοιχτή για περισσότερο από 2 λεπτά.                                |
| AI Energy Mode (μόνο για τα κατάλληλα μοντέλα) | <p>Μπορείτε να ενεργοποιήσετε ή να απενεργοποιήσετε τη δυνατότητα AI Energy Mode στο μενού Energy της εφαρμογής SmartThings.</p> <p>Μπορείτε να ελέγξετε την κατάσταση της δυνατότητας AI Energy Mode στην εφαρμογή SmartThings.</p> <p>Σε ορισμένα μοντέλα, το εικονίδιο  εμφανίζεται στον κύριο πίνακα για να υποδείξει ότι η δυνατότητα AI Energy Mode είναι ενεργοποιημένη. (μόνο για τα κατάλληλα μοντέλα)</p> <p>Η ενεργοποίηση της δυνατότητας AI Energy Mode μειώνει την κατανάλωση ενέργειας, αλλά ενδέχεται επίσης να μειώσει την απόδοση ψύξης.</p> |  |

## Πληροφορίες για τις ενημερώσεις ασφαλείας

Οι ενημερώσεις ασφαλείας παρέχονται για να ενισχύουν την ασφάλεια της συσκευής σας και να προστατεύουν τα προσωπικά στοιχεία σας. Για περισσότερες πληροφορίες σχετικά με τις ενημερώσεις ασφαλείας, επισκεφτείτε τη διαδικτυακή τοποθεσία <https://security.samsungda.com>.

\* Η διαδικτυακή τοποθεσία υποστηρίζει μόνο ορισμένες γλώσσες.

## Πληροφορίες φύλαξης



Οι αριθμοί που εμφανίζονται στο κάτω τμήμα αυτής της εικόνας υποδεικνύουν την περίοδο φύλαξης για τα τρόφιμα ακριβώς από πάνω. Για παράδειγμα, 4-6 μήνες για τα ψάρια.

### Για να καταψύξετε τρόφιμα

1. Τυλίξτε αεροστεγώς τα τρόφιμα με κατάλληλο υλικό περιτύλιξης.
2. Σφραγίστε το περιτύλιγμα.
3. Σημειώστε στο περιτύλιγμα το περιεχόμενο και την ημερομηνία.

### Υλικά περιτύλιξης

- Υλικά που είναι κατάλληλα για το περιτύλιγμα τροφίμων: πλαστική μεμβράνη, φουσητή μεμβράνη πολυαιθυλενίου, αλουμινόχαρτο και σκεύη για κατάψυξη.
- Υλικά που δεν είναι κατάλληλα για το περιτύλιγμα τροφίμων: χαρτί περιτυλίγματος, λαδόκολλα, σελοφάν, σακούλες σκουπιδιών και χρησιμοποιημένες σακούλες για ψώνια.

### Υλικά σφράγισης

Λαστιχάκια, πλαστικά κλιπ, σπάγκος, ανθεκτική στο ψύχος κολλητική ταινία ή παρόμοια υλικά. Οι σακούλες και η φουσητή μεμβράνη πολυαιθυλενίου μπορούν να σφραγιστούν με μηχανήμα σφράγισης πλαστικής μεμβράνης.

# Λειτουργίες

---

## Περίοδος φύλαξης κατεψυγμένων τροφίμων

Η περίοδος φύλαξης διαφέρει, ανάλογα με τον τύπο τροφίμου και τη θερμοκρασία φύλαξης. Οι παρακάτω προδιαγραφές βασίζονται σε θερμοκρασία -18 °C (0 °F):

- Φρέσκα πουλερικά (ολόκληρο κοτόπουλο), φρέσκο κρέας (μπριζόλες, κρέας για ψήσιμο): έως και 12 μήνες
- Ψάρι (άπαχα ψάρια, μαγειρεμένα ψάρια), φρέσκες γαρίδες, χτένια, καλαμάρι: έως και 6 μήνες
- Πίτσα, λουκάνικο: έως και 2 μήνες

### ΣΗΜΕΙΩΣΗ

Για περισσότερες πληροφορίες, επισκεφθείτε τη διαδικτυακή τοποθεσία της FDA (<http://www.fda.gov/>).

## Απόψυξη

Τα κατεψυγμένα τρόφιμα μπορούν να αποψυχθούν με τους παρακάτω τρόπους:

- Με φυσικό τρόπο σε θερμοκρασία δωματίου
- Με φυσικό τρόπο στο ψυγείο
- Με χρήση ηλεκτρικού φούρνου, με ή χωρίς θερμική υποστήριξη
- Με χρήση φούρνου μικροκυμάτων

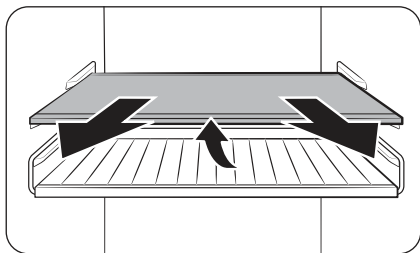
### ΣΗΜΕΙΩΣΗ

- Μην καταψύχετε ξανά αποψυγμένα τρόφιμα. Ορισμένα μέρη των τροφίμων ενδέχεται να μην καταψυχθούν εντελώς.
- Μη φυλάσσετε κατεψυγμένα τρόφιμα για διάστημα μεγαλύτερο από τη μέγιστη περίοδο φύλαξης.

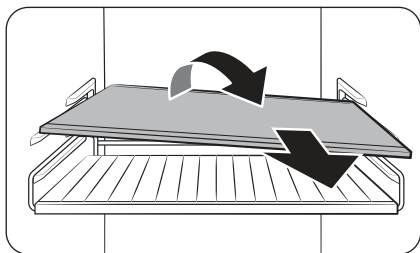
# Συντήρηση

## Χειρισμός και φροντίδα

### Ράφια (ψυγείο/καταψύκτης) / Ράφι κρασιών (μόνο για τα κατάλληλα μοντέλα)



1. Τραβήξτε λίγο προς τα έξω το ράφι (ή το ράφι κρασιών). Στη συνέχεια, ενώ ανασηκώνετε την πίσω πλευρά, τραβήξτε το έξω.

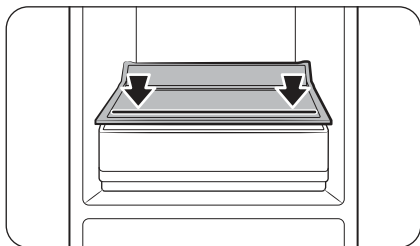


2. Γυρίστε διαγώνια το ράφι (ή το ράφι κρασιών) για να το αφαιρέσετε.

#### ⚠ ΠΡΟΣΟΧΗ

- Το ράφι πρέπει να τοποθετηθεί σωστά. Μην το τοποθετείτε ανάποδα.
- Τα γυάλινα δοχεία ενδέχεται να γρατσουνίσουν την επιφάνεια των γυάλινων ραφιών.
- Μην τοποθετείτε κανένα άλλο ράφι στη θέση του ραφιού κρασιών. Ενδέχεται να προκληθεί ζημιά στο ψυγείο. (μόνο για τα κατάλληλα μοντέλα)

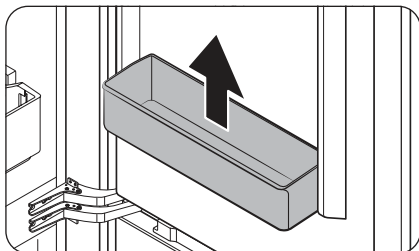
### Ράφι λαχανικών (μόνο για τα κατάλληλα μοντέλα)



- Αν το μοντέλο σας διαθέτει μόνο ένα συρτάρι στο ψυγείο, το ράφι λαχανικών ακριβώς πάνω από το συρτάρι έχει μια τυπωμένη γραμμή. Όταν φυλάσσετε τρόφιμα στο ράφι λαχανικών, φροντίστε να τα τοποθετήσετε εντός της τυπωμένης γραμμής.

# Συντήρηση

## Θήκη πόρτας ψυγείου / Θήκη πόρτας πολλαπλής χρήσης

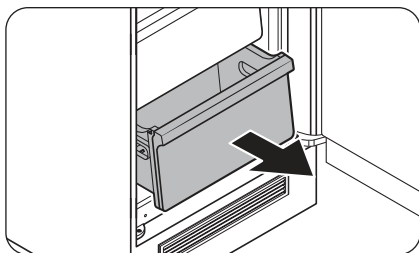


Συγκρατήστε τη θήκη πόρτας με τα δύο χέρια και, στη συνέχεια, ανασηκώστε την για να την αφαιρέσετε.

### ⚠ ΠΡΟΣΟΧΗ

Για να αποτρέψετε τα ατυχήματα, αδειάστε τις θήκες πόρτας προτού τις αφαιρέσετε.

## Συρτάρι ψυγείου / Συρτάρι καταψύκτη



Ανασηκώστε προσεκτικά το εμπρός μέρος του συρταριού και σύρετέ το έξω.

---

## Καθαρισμός

---

### Εσωτερικό και εξωτερικό μέρος

#### ΠΡΟΕΙΔΟΠΟΙΗΣΗ

- Μη χρησιμοποιείτε βενζόλιο, διαλυτικό, ξύδι, υγρό λευκαντικό, μαγειρική σόδα, κιτρικά, μείγματα αλάτων ή οικιακό απορρυπαντικό/απορρυπαντικό αυτοκινήτου όπως το Clorox™ για σκοπούς καθαρισμού. Ενδέχεται να προκαλέσουν ζημιά στην επιφάνεια του ψυγείου, καθώς και πυρκαγιά.
- Μην ψεκάζετε νερό επάνω στο ψυγείο. Ενδέχεται να προκληθεί ηλεκτροπληξία.

Χρησιμοποιείτε τακτικά ένα στεγνό πανί για να απομακρύνετε όλα τα ξένα σώματα, όπως σκόνη ή νερό, από τους ακροδέκτες και τα σημεία επαφής του φινιρ τροφοδοσίας.

1. Αποσυνδέστε το καλώδιο ρεύματος.
2. Χρησιμοποιήστε ένα βρεγμένο μαλακό πανί που δεν αφήνει χνούδι ή μια χαρτοπετσέτα για να καθαρίσετε το εσωτερικό και το εξωτερικό μέρος του ψυγείου.
3. Όταν τελειώσετε, χρησιμοποιήστε ένα στεγνό πανί ή μια χαρτοπετσέτα για να το στεγνώσετε καλά.
4. Συνδέστε το καλώδιο ρεύματος.

---

## Αντικατάσταση

---

### Λυχνίες LED

Για να αντικαταστήσετε τις λυχνίες του ψυγείου, επικοινωνήστε με το τοπικό επισκευαστικό κέντρο της Samsung.

#### ΠΡΟΕΙΔΟΠΟΙΗΣΗ

- Οι λυχνίες δεν μπορούν να επισκευαστούν από τον χρήστη. Μην επιχειρήσετε να αντικαταστήσετε μόνοι σας κάποια λυχνία. Μπορεί να προκληθεί ηλεκτροπληξία.

### Λυχνία (πηγή φωτός)

Το προϊόν αυτό περιέχει φωτεινή πηγή της τάξης ενεργειακής απόδοσης <G>.

Οι λυχνίες ή/και οι διατάξεις ελέγχου δεν μπορούν να επισκευαστούν από τον χρήστη. Για να αντικαταστήσετε τις λυχνίες ή/και τις διατάξεις ελέγχου του προϊόντος, επικοινωνήστε με το τοπικό επισκευαστικό κέντρο της Samsung.

Για λεπτομερείς οδηγίες σχετικά με την αντικατάσταση των λυχνιών ή των διατάξεων ελέγχου του προϊόντος σας, επισκεφτείτε τη διαδικτυακή τοποθεσία της Samsung (<http://www.samsung.com>), μεταβείτε στο μενού Υποστήριξη > Αρχική σελίδα υποστήριξης και εισαγάγετε το όνομα του μοντέλου.

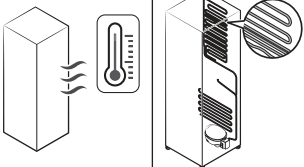
Για λεπτομερείς οδηγίες σχετικά με την απουναρμολόγηση των λυχνιών ή/και των διατάξεων ελέγχου, απλά ακολουθήστε τις οδηγίες αντικατάστασης που μπορείτε να βρείτε όπως περιγράφεται παραπάνω.

# Αντιμετώπιση προβλημάτων

Προτού καλέσετε το επισκευαστικό κέντρο, εξετάστε τα παρακάτω σημεία ελέγχου. Κάθε κλήση στο επισκευαστικό κέντρο σχετικά με φυσιολογικές καταστάσεις (περιπτώσεις που δεν υπάρχει κανένα ελάττωμα) θα χρεωθεί στον χρήστη.

## Γενικά

### Θερμοκρασία

| Σύμπτωμα   | Πιθανές αιτίες   | Λύση  |
|--|--|---|
| <p>Το ψυγείο/καταψύκτης δεν λειτουργεί.<br/>Η θερμοκρασία του ψυγείου/καταψύκτη είναι υψηλή.</p> | <ul style="list-style-type: none"> <li>Το καλώδιο ρεύματος δεν είναι συνδεδεμένο σωστά.</li> </ul>   | <ul style="list-style-type: none"> <li>Συνδέστε σωστά το καλώδιο ρεύματος.</li> </ul>   |
|  | <ul style="list-style-type: none"> <li>Ο διακόπτης ελέγχου θερμοκρασίας δεν έχει ρυθμιστεί σωστά.</li> </ul>                                     | <ul style="list-style-type: none"> <li>Ρυθμίστε τη θερμοκρασία σε χαμηλότερο επίπεδο.</li> </ul>  |
|  | <ul style="list-style-type: none"> <li>Το ψυγείο βρίσκεται κοντά σε πηγή θερμότητας ή εκτίθεται σε άμεσο ηλιακό φως.</li> </ul>                  | <ul style="list-style-type: none"> <li>Κρατήστε το ψυγείο μακριά από άμεσο ηλιακό φως και πηγές θερμότητας.</li> </ul>  |
|  | <ul style="list-style-type: none"> <li>Δεν υπάρχει αρκετός χώρος ανάμεσα στο ψυγείο και τις πλευρές/πίσω μέρος.</li> </ul>                       | <ul style="list-style-type: none"> <li>Φροντίστε να υπάρχει ελεύθερος χώρος τουλάχιστον 7 mm από τους πίσω και τους πλαϊνούς τοίχους του ντουλαπιού.</li> </ul>   |
|  | <ul style="list-style-type: none"> <li>Η λειτουργία διακοπών είναι ενεργοποιημένη.</li> </ul>  | <ul style="list-style-type: none"> <li>Απενεργοποιήστε τη λειτουργία διακοπών.</li> </ul>   |
|  | <ul style="list-style-type: none"> <li>Το ψυγείο είναι υπερφορτωμένο. Τα ανοίγματα εξαερισμού του ψυγείου είναι φραγμένα από τρόφιμα.</li> </ul> | <ul style="list-style-type: none"> <li>Μην υπερφορτώνετε το ψυγείο. Μην αφήνετε τα τρόφιμα να φράζουν τα ανοίγματα εξαερισμού.</li> </ul>   |
| <p>Το ψυγείο/καταψύκτης ψύχεται υπερβολικά.</p>  | <ul style="list-style-type: none"> <li>Ο διακόπτης ελέγχου θερμοκρασίας δεν έχει ρυθμιστεί σωστά.</li> </ul>                                     | <ul style="list-style-type: none"> <li>Ρυθμίστε τη θερμοκρασία σε υψηλότερο επίπεδο.</li> </ul>   |
| <p>Τα εσωτερικά τοιχώματα είναι ζεστά.</p>   | <ul style="list-style-type: none"> <li>Το ψυγείο διαθέτει ανθεκτική στη θερμότητα σωλήνωση στα εσωτερικά τοιχώματα.</li> </ul>                   | <ul style="list-style-type: none"> <li>Για να αποτραπεί η δημιουργία υγρασίας, το ψυγείο έχει ανθεκτική στη θερμότητα σωλήνωση στις μπροστινές γωνίες. Αν αυξηθεί η θερμοκρασία περιβάλλοντος, ο εξοπλισμός ενδέχεται να μη λειτουργεί αποτελεσματικά. Αυτό δεν αποτελεί βλάβη στο σύστημα.</li> </ul>  |

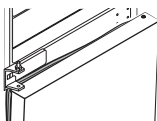
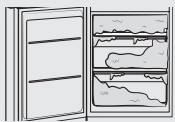


## Οσμές

| Σύμπτωμα                         | Πιθανές αιτίες              | Λύση  |
|----------------------------------|-----------------------------|---|
| Αναδίδονται οσμές από το ψυγείο. | • Αλλοιωμένα τρόφιμα.       | • Καθαρίστε το ψυγείο και αφαιρέστε τυχόν αλλοιωμένα τρόφιμα.             |
|                                  | • Τρόφιμα με έντονες οσμές. | • Βεβαιωθείτε ότι τα τρόφιμα με έντονες οσμές είναι τυλιγμένα αεροστεγώς. |

## Πάγος

| Σύμπτωμα                                    | Πιθανές αιτίες  | Λύση  |
|---|---|---|
| Πάγος γύρω από τα ανοίγματα εξαερισμού.     | • Τα ανοίγματα εξαερισμού είναι φραγμένα από τρόφιμα.   | • Βεβαιωθείτε ότι τα ανοίγματα εξαερισμού του ψυγείου δεν είναι φραγμένα από τρόφιμα.                         |
| Πάγος στα εσωτερικά τοιχώματα.              | • Η πόρτα δεν έχει κλείσει σωστά.   | • Βεβαιωθείτε ότι τα τρόφιμα δεν φράζουν την πόρτα. Καθαρίστε το παρέμβυσμα της πόρτας.                       |
| Τα φρούτα ή τα λαχανικά έχουν παγώσει.      | • Τα φρούτα ή τα λαχανικά φυλάσσονται στη ζώνη φύλαξης φρέσκων τροφίμων/ζώνη σεφ.                             | • Η ζώνη φύλαξης φρέσκων τροφίμων/ζώνη σεφ προορίζεται μόνο για κρέας/ψάρι.                                   |
| Υπερβολική συσσώρευση πάγου στον καταψύκτη. | • Η πόρτα δεν κλείνει σωστά, επειδή το παρέμβυσμα της πόρτας δεν αντιστράφηκε μετά την αντιστροφή των πορτών. | • Αφαιρέστε το παρέμβυσμα της πόρτας και, στη συνέχεια, στρέψτε το κατά 180° και τοποθετήστε το στη θέση του. |



## Αντιμετώπιση προβλημάτων

### Υγρασία

| Σύμπτωμα                                       | Πιθανές αιτίες  | Λύση   |
|--|---|--|
| Δημιουργείται υγρασία στα εσωτερικά τοιχώματα. | <ul style="list-style-type: none"><li>• Αν η πόρτα παραμείνει ανοιχτή, εισχωρεί υγρασία στο ψυγείο.</li></ul> | <ul style="list-style-type: none"><li>• Απομακρύνετε την υγρασία και μην ανοίγετε την πόρτα για μεγάλο χρονικό διάστημα.</li></ul> |
|  | <ul style="list-style-type: none"><li>• Τρόφιμα με υψηλή περιεκτικότητα σε υγρασία.</li></ul>                 | <ul style="list-style-type: none"><li>• Βεβαιωθείτε ότι τα τρόφιμα είναι τυλιγμένα αεροστεγώς.</li></ul>                           |

### Ειδοποίηση

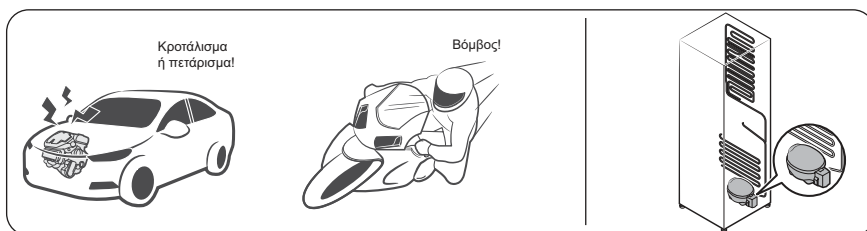
| Σύμπτωμα                         | Πιθανές αιτίες  | Λύση   |
|----------------------------------|---|--|
| Ακούγεται ένας ήχος ειδοποίησης. | <ul style="list-style-type: none"><li>• Αν η πόρτα μείνει ανοιχτή για περισσότερο από δύο λεπτά, ακούγεται ο ήχος ειδοποίησης μέχρι να κλείσει η πόρτα.</li></ul> | <ul style="list-style-type: none"><li>• Πατήστε οποιοδήποτε κουμπί για να απενεργοποιήσετε την ειδοποίηση. Αν ο ήχος ειδοποίησης ακούγεται ξανά μετά από 12 ώρες, επικοινωνήστε με το τοπικό επισκευαστικό κέντρο της Samsung.</li></ul> |

## Ακούτε μη φυσιολογικούς ήχους από το ψυγείο;

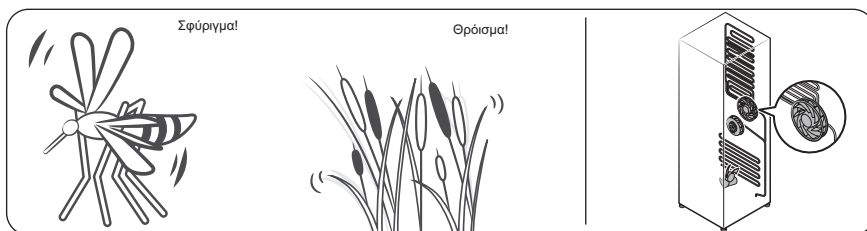
Προτού καλέσετε το επισκευαστικό κέντρο, εξετάστε τα παρακάτω σημεία ελέγχου. Κάθε κλήση στο επισκευαστικό κέντρο σχετικά με φυσιολογικούς ήχους θα χρεωθεί στο χρήστη.

### Αυτοί οι ήχοι είναι φυσιολογικοί.

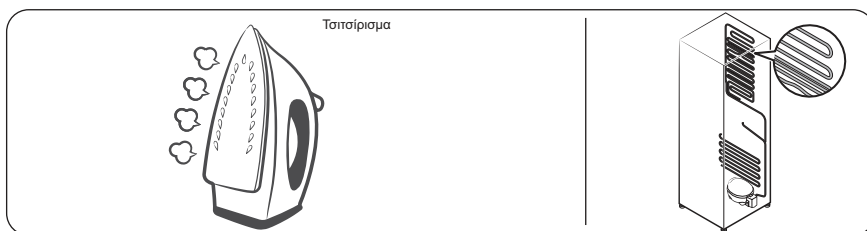
- Όταν αρχίζει ή τελειώνει μια λειτουργία, το ψυγείο ενδέχεται να εκπέμπει ήχους παρόμοιους με την εκκίνηση ενός κινητήρα αυτοκινήτου. Καθώς σταθεροποιείται η λειτουργία, οι ήχοι λιγότευουν.



- Αυτοί οι ήχοι ενδέχεται να ακουστούν ενώ λειτουργεί ο ανεμιστήρας. Όταν το ψυγείο φτάσει στη ρυθμισμένη θερμοκρασία, δεν ακούγεται κανένας ήχος ανεμιστήρα.

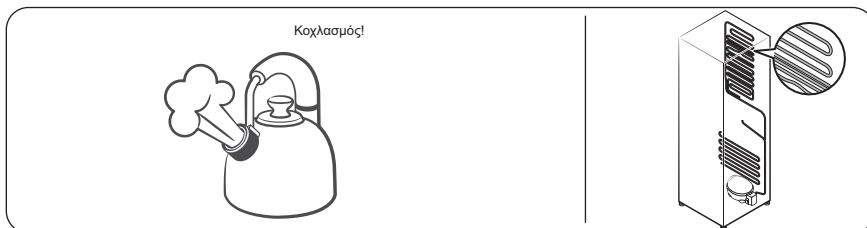


- Κατά τη διάρκεια ενός κύκλου απόψυξης, ενδέχεται να στάξει νερό επάνω στον θερμαντήρα απόψυξης, προκαλώντας συριστικούς ήχους.

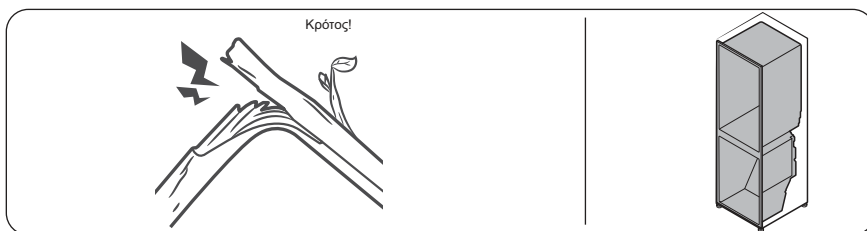


## Αντιμετώπιση προβλημάτων

- Καθώς το ψυγείο πραγματοποιεί ψύξη ή κατάψυξη, μετακινείται ψυκτικό αέριο μέσα από στεγανοποιημένους σωλήνες, προκαλώντας ήχους φυσαλίδων.



- Καθώς αυξάνεται ή μειώνεται η θερμοκρασία του ψυγείου, τα πλαστικά μέρη συστέλλονται και διαστέλλονται, δημιουργώντας θορύβους κρούσης. Αυτοί οι θόρυβοι ακούγονται κατά τη διάρκεια του κύκλου απόψυξης ή όταν λειτουργούν ηλεκτρονικά εξαρτήματα.



- Για μοντέλα με παρασκευαστή πάγου: Όταν ανοίγει η βαλβίδα νερού για να γεμίσει ο παρασκευαστής πάγου, ενδέχεται να ακουστεί βόμβος.
- Λόγω της εξισορρόπησης πίεσης κατά το άνοιγμα και το κλείσιμο της πόρτας του ψυγείου, ενδέχεται να ακουστούν σφυριχτοί ήχοι.

## SmartThings (μόνο για τα κατάλληλα μοντέλα)

| Σύμπτωμα  | Ενέργεια  |
|---|---|
| Δεν μπόρεσα να βρω την εφαρμογή «SmartThings» στο κατάστημα εφαρμογών.  | <ul style="list-style-type: none"> <li>Η υποστηριζόμενη έκδοση λογισμικού της εφαρμογής SmartThings υπόκειται σε αλλαγές, σύμφωνα με την πολιτική υποστήριξης λειτουργικού συστήματος που παρέχει ο κατασκευαστής. Επιπλέον, όσον αφορά την εφαρμογή SmartThings ή τις λειτουργίες που υποστηρίζει η εφαρμογή, η πολιτική νέων ενημερώσεων εφαρμογής στην υπάρχουσα έκδοση λειτουργικού συστήματος μπορεί να ανασταλεί για λόγους χρηστικότητας ή ασφαλείας.</li> </ul>   |
| Η εφαρμογή SmartThings δεν λειτουργεί.  | <ul style="list-style-type: none"> <li>Η εφαρμογή SmartThings είναι διαθέσιμη μόνο για τα κατάλληλα μοντέλα.</li> <li>Η παλαιότερη εφαρμογή Samsung Smart Refrigerator δεν μπορεί να συνδεθεί με τα μοντέλα Samsung Smart Home.</li> </ul>  |
| Η εφαρμογή SmartThings είναι εγκατεστημένη, αλλά δεν συνδέεται με το ψυγείο μου.  | <ul style="list-style-type: none"> <li>Για να χρησιμοποιήσετε την εφαρμογή, θα πρέπει να συνδεθείτε στον δικό σας λογαριασμό Samsung.</li> <li>Βεβαιωθείτε ότι ο δρομολογητής σας λειτουργεί κανονικά.</li> <li>Αν το εικονίδιο Wi-Fi στην οθόνη του ψυγείου είναι σβηστό, αυτό υποδεικνύει ότι δεν έχει πραγματοποιηθεί ακόμα σύνδεση στο δίκτυο. Σε αυτήν την περίπτωση, χρησιμοποιήστε την εφαρμογή SmartThings για να συνδέσετε και να καταχωρίσετε το ψυγείο στο σημείο πρόσβασης (AP) του σπιτιού σας.</li> </ul> |
| Δεν μπόρεσα να συνδεθώ στην εφαρμογή.   | <ul style="list-style-type: none"> <li>Για να χρησιμοποιήσετε την εφαρμογή, θα πρέπει να συνδεθείτε στον δικό σας λογαριασμό Samsung.</li> <li>Αν δεν διαθέτετε λογαριασμό Samsung, ακολουθήστε τις οδηγίες της εφαρμογής στην οθόνη για να δημιουργήσετε έναν.</li> </ul>  |
| Εμφανίζεται ένα μήνυμα σφάλματος όταν προσπαθώ να καταχωρίσω το ψυγείο μου.   | <ul style="list-style-type: none"> <li>Η εύκολη σύνδεση ενδέχεται να αποτύχει, λόγω της απόστασης του σημείου πρόσβασης (AP) ή ηλεκτρικών παρεμβολών από το περιβάλλον. Περιμένετε λίγο και προσπαθήστε ξανά.</li> </ul>  |
| Η εφαρμογή SmartThings έχει συνδεθεί επιτυχώς με το ψυγείο μου, αλλά δεν λειτουργεί.                                    | <ul style="list-style-type: none"> <li>Κλείστε και επανεκκινήστε την εφαρμογή SmartThings, ή αποσυνδέστε και επανασυνδέστε τον δρομολογητή.</li> <li>Απενεργοποιήστε το ψυγείο και, στη συνέχεια, ενεργοποιήστε το ξανά μετά από 1 λεπτό.</li> </ul>  |
| Το εικονίδιο Wi-Fi αναβοσβήνει. (  ) | <ul style="list-style-type: none"> <li>Συνδέστε το ψυγείο με την εφαρμογή SmartThings πριν από τη χρήση. Όταν η σύνδεση είναι επιτυχής, η ένδειξη σταματά να αναβοσβήνει. <ul style="list-style-type: none"> <li>Αν δεν μπορείτε να πραγματοποιήσετε τη σύνδεση ή δεν θέλετε να χρησιμοποιήσετε την εφαρμογή, κρατήστε πατημένο το κουμπί <b>Fridge (Ψυγείο)</b> για 10 δευτερόλεπτα. Η ένδειξη σταματά να αναβοσβήνει.</li> </ul> </li> </ul>  |

# Παράρτημα

## Οδηγίες για την ασφάλεια

- Για πιο αποδοτική χρήση ενέργειας, να αφήνετε όλα τα εσωτερικά εξαρτήματα όπως καλάθια, συρτάρια, ράφια και δίσκο για παγάκια στη θέση που προβλέπεται από τον κατασκευαστή.

## Οδηγίες εγκατάστασης

### Για συσκευές ψυγείου με κλιματική κλάση

Ανάλογα με την κλιματική κλάση, αυτή η συσκευή ψυγείου προορίζεται για χρήση στο εύρος θερμοκρασίας περιβάλλοντος που καθορίζεται στον παρακάτω πίνακα.

Μπορείτε να βρείτε την κλιματική κλάση στην πινακίδα τεχνικών στοιχείων. Το προϊόν ενδέχεται να μη λειτουργεί σωστά σε θερμοκρασίες εκτός του συγκεκριμένου εύρους.

Μπορείτε να βρείτε την κλιματική κλάση στην ετικέτα στο εσωτερικό του ψυγείου.

### Ενεργό εύρος θερμοκρασίας

Το ψυγείο έχει σχεδιαστεί ώστε να λειτουργεί κανονικά στο εύρος θερμοκρασίας που καθορίζεται από την ονομαστική τιμή της κατηγορίας του.

| Κατηγορία          | Σύμβολο | Εύρος θερμοκρασίας περιβάλλοντος (°C) |             |
|--------------------|---------|---------------------------------------|-------------|
|                    |         | IEC 62552 (ISO 15502)                 | ISO 8561    |
| Εκτεταμένη εύκρατη | SN      | +10 έως +32                           | +10 έως +32 |
| Εύκρατη            | N       | +16 έως +32                           | +16 έως +32 |
| Υποτροπική         | ST      | +16 έως +38                           | +18 έως +38 |
| Τροπική            | T       | +16 έως +43                           | +18 έως +43 |

### ΣΗΜΕΙΩΣΗ

Η απόδοση ψύξης και η κατανάλωση ενέργειας του ψυγείου ενδέχεται να επηρεαστούν από τη θερμοκρασία περιβάλλοντος, τη συχνότητα ανοίγματος της πόρτας και τη θέση του ψυγείου. Συνιστούμε να προσαρμόσετε τις ρυθμίσεις θερμοκρασίας όπως απαιτείται.

## Οδηγίες για τη θερμοκρασία

### Συνιστώμενη θερμοκρασία

Βέλτιστη ρύθμιση θερμοκρασίας για τη φύλαξη τροφίμων:

- Fridge (Ψυγείο): 3 °C
- Freezer (Καταψύκτης): -19 °C

#### ΣΗΜΕΙΩΣΗ

Η βέλτιστη ρύθμιση θερμοκρασίας για κάθε θάλαμο εξαρτάται από τη θερμοκρασία περιβάλλοντος. Η παραπάνω βέλτιστη θερμοκρασία βασίζεται σε θερμοκρασία περιβάλλοντος 25 °C.

### Γρήγορη ψύξη

Η λειτουργία Γρήγορη ψύξη επιταχύνει τη διαδικασία ψύξης στη μέγιστη ταχύτητα ανεμιστήρα. Το ψυγείο λειτουργεί συνεχώς σε πλήρη ισχύ για δύομισι ώρες και, στη συνέχεια, επανέρχεται στην προηγούμενη θερμοκρασία.

### Γρήγορη κατάψυξη

Η λειτουργία Γρήγορη κατάψυξη επιταχύνει τη διαδικασία κατάψυξης στη μέγιστη ταχύτητα ανεμιστήρα. Ο καταψύκτης λειτουργεί συνεχώς σε πλήρη ισχύ για 50 ώρες και, στη συνέχεια, επανέρχεται στην προηγούμενη θερμοκρασία. Για να καταψύξετε μεγάλες ποσότητες τροφίμων, ενεργοποιήστε τη λειτουργία Γρήγορη κατάψυξη επί τουλάχιστον 20 ώρες προτού τοποθετήσετε τα τρόφιμα στον καταψύκτη.

#### ΣΗΜΕΙΩΣΗ

Όταν χρησιμοποιείτε αυτή τη λειτουργία, η κατανάλωση ενέργειας του ψυγείου αυξάνεται. Θυμηθείτε να την απενεργοποιήσετε όταν δεν την χρειάζεστε πλέον και να επαναφέρετε τον καταψύκτη στην αρχική ρύθμιση θερμοκρασίας.

### Τρόπος φύλαξης για την καλύτερη δυνατή συντήρηση (μόνο για τα κατάλληλα μοντέλα)

Σκεπάστε τα τρόφιμα για να διατηρούν την υγρασία τους και να αποτρέψετε τη μεταφορά οσμών από άλλα τρόφιμα. Μια μεγάλη κατσαρόλα με φαγητό όπως σούπα ή ραγού θα πρέπει να χωρίζεται σε μικρές μερίδες και να τοποθετείται σε ρηχά δοχεία προτού ψυχθεί. Ένα μεγάλο κομμάτι κρέατος ή ολόκληρο κοτόπουλο θα πρέπει να χωρίζεται σε μικρότερα κομμάτια ή να τοποθετείται σε ρηχά δοχεία προτού ψυχθεί.

### Τοποθέτηση τροφίμων

|  |  |
|--|--|
| Ράφια  | Τα ράφια είναι ρυθμιζόμενα για να χωρούν διάφορες συσκευασίες.   |
| Ειδικός θάλαμος<br>(μόνο για τα κατάλληλα μοντέλα) | Τα στεγανοποιημένα συρτάρια φρούτων και λαχανικών παρέχουν βέλτιστο περιβάλλον φύλαξης για τα φρούτα και τα λαχανικά. Τα λαχανικά απαιτούν συνθήκες υψηλότερης υγρασίας, ενώ τα φρούτα απαιτούν συνθήκες χαμηλότερης υγρασίας.<br>Τα συρτάρια φρούτων και λαχανικών διαθέτουν συσκευές ελέγχου, για τον έλεγχο του επιπέδου υγρασίας. (*Ανάλογα με το μοντέλο και τα προαιρετικά εξαρτήματα) Το συρτάρι κρεάτων ρυθμιζόμενης θερμοκρασίας μεγιστοποιεί τον χρόνο φύλαξης των κρεάτων και των τυριών. |

## Παράρτημα

|                   |   |
|-------------------|---|
| Φύλαξη στην πόρτα | Μη φυλάσσετε ευπαθή τρόφιμα στην πόρτα. Τα αβγά θα πρέπει να φυλάσσονται μέσα στη θήκη τους σε ένα ράφι. Η θερμοκρασία των δοχείων φύλαξης στην πόρτα παρουσιάζει μεγαλύτερες διακυμάνσεις από τη θερμοκρασία στο εσωτερικό του θαλάμου. Διατηρείτε την πόρτα κλειστή για όσο το δυνατόν περισσότερο. |
| Θάλαμος καταψύκτη | Μπορείτε να φυλάξετε κατεψυγμένα τρόφιμα, να παρασκευάσετε παγάκια και να καταψύξετε φρέσκα τρόφιμα στον θάλαμο του καταψύκτη.  |

### ΣΗΜΕΙΩΣΗ

Καταψύχετε μόνο φρέσκα τρόφιμα που δεν έχουν αλλοιωθεί. Να διατηρείτε τα τρόφιμα που πρόκειται να καταψύξετε μακριά από τρόφιμα που έχουν ήδη καταψυχθεί. Για να μη χάσουν τα τρόφιμα τη γεύση τους και για να μην ξεραθούν, να τα τοποθετείτε σε αεροστεγή δοχεία.

### Πίνακας χρόνου φύλαξης ψυγείου και καταψύκτη

Ο χρόνος για τον οποίο διατηρούνται φρέσκα τα τρόφιμα εξαρτάται από τη θερμοκρασία και την έκθεση σε υγρασία. Επειδή οι ημερομηνίες που αναγράφονται στα προϊόντα δεν αποτελούν οδηγό ασφαλούς χρήσης ενός προϊόντος, συμβουλευτείτε αυτόν τον πίνακα και ακολουθήστε αυτές τις συμβουλές.

Γαλακτοκομικά προϊόντα

| Προϊόν      | Ψυγείο      | Καταψύκτης     |
|-------------|-------------|----------------|
| Γάλα        | 1 εβδομάδα  | 1 μήνας        |
| Βούτυρο     | 2 εβδομάδες | 12 μήνες       |
| Παγωτό      | -           | 2-3 εβδομάδες  |
| Φυσικό τυρί | 1 μήνας     | 4-6 μήνες      |
| Τυρί κρέμα  | 2 εβδομάδες | Δεν συνιστάται |
| Γιαούρτι    | 1 μήνας     | -              |

Κρέας

| Προϊόν   | Ψυγείο     | Καταψύκτης |
|--|------------|------------|
| Φρέσκο ψητό κρέας, μπριζόλες, παιδάκια         | 3-4 ημέρες | 2-3 μήνες  |
| Φρέσκος κιμάς, κρέας ραγού                     | 1-2 ημέρες | 3-4 μήνες  |
| Μπέικον  | 7 ημέρες   | 1 μήνας    |
| Λουκάνικο, ωμό από χοιρινό, μοσχάρι, γαλοπούλα | 1-2 ημέρες | 1-2 μήνες  |



Πουλερικά / Αβγά

| Προϊόν                  | Ψυγείο        | Καταψύκτης     |
|-------------------------|---------------|----------------|
| Φρέσκα πουλερικά        | 2 ημέρες      | 6-8 μήνες      |
| Σαλάτα με πουλερικά     | 1 ημέρα       | -              |
| Αβγά, φρέσκα στο τσόφλι | 2-4 εβδομάδες | Δεν συνιστάται |

Ψάρια / Θαλασσινά

| Προϊόν                   | Ψυγείο        | Καταψύκτης     |
|--------------------------|---------------|----------------|
| Φρέσκο ψάρι              | 1-2 ημέρες    | 3-6 μήνες      |
| Μαγειρεμένο ψάρι         | 3-4 ημέρες    | 1 μήνας        |
| Σαλάτα με ψάρι           | 1 ημέρα       | Δεν συνιστάται |
| Αποξηραμένο ή παστό ψάρι | 3-4 εβδομάδες | -              |

Φρούτα

| Προϊόν             | Ψυγείο        | Καταψύκτης |
|--------------------|---------------|------------|
| Μήλα               | 1 μήνας       | -          |
| Ροδάκινα           | 2-3 εβδομάδες | -          |
| Ανανάς             | 1 εβδομάδα    | -          |
| Άλλα φρέσκα φρούτα | 3-5 ημέρες    | 9-12 μήνες |

Λαχανικά

| Προϊόν   | Ψυγείο      | Καταψύκτης |
|--|-------------|------------|
| Σπαράγγι   | 2-3 ημέρες  | -          |
| Μπρόκολο, λαχανάκια Βρυξελλών, αρακάς, μανιτάρια | 3-5 ημέρες  | -          |
| Λάχανο, κουνουπίδι, σέλινο, αγγούρι, μαρούλι     | 1 εβδομάδα  | -          |
| Καρότα, παντζάρια, ραπανάκια                     | 2 εβδομάδες | -          |

# Παράρτημα

---

## Πληροφορίες για το μοντέλο και την παραγγελία ανταλλακτικών

---

### Πληροφορίες μοντέλου

Για να προσπελάσετε τις πληροφορίες ενεργειακής επισήμανσης σχετικά με αυτό το προϊόν στο Ευρωπαϊκό μητρώο προϊόντων για την ενεργειακή επισήμανση (EPREL), σαρώστε τον κωδικό QR στην ετικέτα ενεργειακής απόδοσης. Μπορείτε να βρείτε τον κωδικό QR στην ετικέτα ενεργειακής απόδοσης που υπάρχει στη συσκευασία του προϊόντος σας.

### Πληροφορίες ανταλλακτικών

- Ελάχιστο χρονικό διάστημα για το οποίο θα είναι διαθέσιμα τα ανταλλακτικά που είναι απαραίτητα για την επισκευή της συσκευής
  - 7 έτη για θερμοστάτες, αισθητήρες θερμοκρασίας, πλακέτες τυπωμένων κυκλωμάτων και πηγές φωτός, λαβές πόρτας, μεντεσέδες πόρτας, δίσκου, καλάθια (μεγάλα ή κανονικά συρτάρια)
  - 10 έτη για παρεμβύσματα πόρτας
- Η ελάχιστη διάρκεια της εγγύησης που προσφέρεται από τον κατασκευαστή για τη συσκευή ψυγείου είναι 24 μήνες.
- Σχετικές πληροφορίες για την παραγγελία ανταλλακτικών, απευθείας ή μέσω άλλων καναλιών, παρέχονται από τον κατασκευαστή, τον εισαγωγέα ή τον εξουσιοδοτημένο αντιπρόσωπο.
- Μπορείτε να βρείτε πληροφορίες για επαγγελματική επισκευή στη διαδικτυακή τοποθεσία <http://samsung.com/support>.  
Μπορείτε να βρείτε το εγχειρίδιο σέρβις χρήστη στη διαδικτυακή τοποθεσία <http://samsung.com/support>.

# Open Source Announcement

---

## Open Source Announcement

---

The software included in this product contains open source software. You may obtain the complete corresponding source code for a period of three years after the last shipment of this product by contacting our support team via <http://opensource.samsung.com> (Please use the "Inquiry" menu.)

It is also possible to obtain the complete corresponding source code in a physical medium such as a CD-ROM; a minimal charge will be required.

The following URL [http://opensource.samsung.com/opensource/COMMON\\_TZ6\\_0/seq/0](http://opensource.samsung.com/opensource/COMMON_TZ6_0/seq/0) leads to the open source license information as related to this product. This offer is valid to anyone in receipt of this information.



## ΣΗΜΕΙΩΣΗ

Δια της παρούσης, η Samsung δηλώνει ότι αυτός ο ραδιοεξοπλισμός συμμορφώνεται με την Οδηγία 2014/53/ΕΕ και με τις σχετικές νομικές απαιτήσεις στο Ηνωμένο Βασίλειο.

Το πλήρες κείμενο της δήλωσης συμμόρφωσης ΕΕ και της δήλωσης συμμόρφωσης Ηνωμένου Βασιλείου είναι διαθέσιμο στην ακόλουθη διαδικτυακή διεύθυνση: Μπορείτε να βρείτε την επίσημη Δήλωση συμμόρφωσης στη διαδικτυακή τοποθεσία <http://www.samsung.com>. Μεταβείτε στο μενού Υποστήριξη > αναζητήστε υποστήριξη για το προϊόν σας και εισαγάγετε το όνομα του μοντέλου.

|           | Εύρος συχνοτήτων | Ισχύς πομπού (μέγιστη) |
|-----------|------------------|------------------------|
| Wi-Fi     | 2412 - 2472 MHz  | 20 dBm                 |
| Bluetooth | 2402 - 2480 MHz  | 20 dBm                 |

|             |   |   |
|-------------|---|---|
| FRANCE      | 01 48 63 00 00  | <a href="http://www.samsung.com/fr/support">www.samsung.com/fr/support</a>  |
| GERMANY     | 06196 77 555 77   | <a href="http://www.samsung.com/de/support">www.samsung.com/de/support</a>  |
| LUXEMBURG   | 261 03 710  | <a href="http://www.samsung.com/be_fr/support">www.samsung.com/be_fr/support</a>  |
| NETHERLANDS | 088 90 90 100   | <a href="http://www.samsung.com/nl/support">www.samsung.com/nl/support</a>  |
| BELGIUM     | 02-201-24-18  | <a href="http://www.samsung.com/be/support">www.samsung.com/be/support</a> (Dutch)<br><a href="http://www.samsung.com/be_fr/support">www.samsung.com/be_fr/support</a> (French) |
| NORWAY      | 21629099  | <a href="http://www.samsung.com/no/support">www.samsung.com/no/support</a>  |
| DENMARK     | 707 019 70  | <a href="http://www.samsung.com/dk/support">www.samsung.com/dk/support</a>  |
| FINLAND     | 030-6227 515  | <a href="http://www.samsung.com/fi/support">www.samsung.com/fi/support</a>  |
| SWEDEN      | 0771-400 300  | <a href="http://www.samsung.com/se/support">www.samsung.com/se/support</a>  |
| CYPRUS      | 8009 4000 only from landline, toll free   | <a href="http://www.samsung.com/gr/support">www.samsung.com/gr/support</a>  |
| GREECE      | 80111-SAMSUNG (80111 726 7864) only from land line<br>(+30) 210 6897691 from mobile and land line |   |
| ITALIA      | 800-SAMSUNG (800.7267864)   | <a href="http://www.samsung.com/it/support">www.samsung.com/it/support</a>  |
| PORTUGAL    | 210 608 098<br>Chamada para a rede fixa nacional<br>Dias úteis das 9h às 20h                      | <a href="http://www.samsung.com/pt/support">www.samsung.com/pt/support</a>  |
| SPAIN       | 91 175 00 15  | <a href="http://www.samsung.com/es/support">www.samsung.com/es/support</a>  |



# Kühl-/Gefrierkombination

---

## Benutzerhandbuch

---

Einbaugerät

**SAMSUNG**

# Inhalt

---

|   |           |
|---|-----------|
| <b>Sicherheitsinformationen</b>                         | <b>3</b>  |
| Wichtige Informationen zu den Sicherheitshinweisen      | 3         |
| Wichtige Symbole für Sicherheits- und Gefahrenhinweise: | 6         |
| Wichtige Vorsichtsmaßnahmen für Ihre Sicherheit         | 7         |
| Wichtige Warnhinweise für Transport und Aufstellungsort | 11        |
| Wichtige Warnhinweise für das Aufstellen                | 11        |
| Vorsichtshinweise für die Aufstellung                   | 16        |
| Wichtige Warnhinweise für die Verwendung                | 17        |
| Vorsichtshinweise für die Verwendung                    | 23        |
| Vorsichtshinweise für die Reinigung                     | 26        |
| Wichtige Hinweise für die Entsorgung                    | 29        |
| Weitere Tipps zur ordnungsgemäßen Verwendung            | 30        |
| Hinweise zur WEEE-Kennzeichnung                         | 32        |
| <b>Aufstellung</b>                                      | <b>33</b> |
| Ihre Kühl-/Gefrierkombination auf einen Blick           | 33        |
| Aufstellungshinweise in Verfahrensschritten             | 34        |
| <b>Bedienung</b>  | <b>45</b> |
| Bedienfeld  | 45        |
| SmartThings (nur bestimmte Modelle)                     | 50        |
| Lagerungshinweise                                       | 53        |
| <b>Wartung und Pflege</b>                               | <b>55</b> |
| Handhabung und Pflege                                   | 55        |
| Reinigung   | 57        |
| Ersetzen von Teilen                                     | 57        |
| <b>Problembhebung</b>                                   | <b>58</b> |
| Allgemein   | 58        |
| Hören Sie ungewöhnliche Geräusche aus dem Kühlschrank?  | 61        |
| SmartThings (nur bestimmte Modelle)                     | 63        |
| <b>Anhang</b>   | <b>64</b> |
| Sicherheitshinweise                                     | 64        |
| Installationsanleitung                                  | 64        |
| Angaben zur Temperatur                                  | 65        |
| Modellinformationen und Bestellung von Ersatzteilen     | 68        |
| <b>Open Source Announcement</b>                         | <b>69</b> |
| Open Source Announcement                                | 69        |

# Sicherheitsinformationen

---

Um sicherzustellen, dass Sie über die Eigenschaften und Funktionen Ihres neuen Geräts Bescheid wissen, müssen Sie diese Anleitung sorgfältig durchlesen, ehe Sie Ihre neue Kühl-/Gefrierkombination von Samsung in Betrieb nehmen.

## Wichtige Informationen zu den Sicherheitshinweisen

---

- Die Warnungen und wichtigen Sicherheitsinformationen in diesem Benutzerhandbuch decken nicht alle denkbaren Umstände und Situationen ab.  
Lassen Sie den gesunden Menschenverstand, Vorsicht und die notwendige Sorgfalt nicht außer Acht, wenn Sie Ihr Gerät installieren, warten und einsetzen.
- Da die folgenden Hinweise zum Betrieb für verschiedene Modelle gelten, können sich die Eigenschaften Ihres Geräts leicht von den in diesem Handbuch beschriebenen unterscheiden, und es kann sein, dass nicht alle Warnhinweise zutreffen. Bei Fragen oder Problemen wenden Sie sich an Ihr nächstgelegenes Kundendienstzentrum, oder holen Sie sich Hilfe und Informationen online unter [www.samsung.com](http://www.samsung.com).
- Als Kältemittel werden R-600a oder R-134a verwendet. Sie können dem Kompressor aufkleber auf der Rückseite Ihres Geräts oder dem Typenschild im Innern des Geräts entnehmen, welches Kältemittel für Ihr Gerät verwendet wurde. Falls dieses Gerät entzündliche Gase enthält (Kältemittel R-600a), wenden Sie sich an die örtlichen Behörden, die Ihnen Informationen zur sicheren Entsorgung zur Verfügung stellen können.

# Sicherheitsinformationen

---

- Um die Entwicklung eines entflammaren Gas-Luftgemisches bei einem Leck des Kühlkreislaufs zu vermeiden, muss die Raumgröße entsprechend der eingesetzten Menge an Kältemitteln im Gerät gewählt werden.
- Wartungs- oder Reparaturarbeiten dürfen nur von sachkundigem Fachpersonal ausgeführt werden.
- Schalten Sie das Gerät niemals ein, wenn es Anzeichen von Beschädigungen zeigt. Setzen Sie sich im Zweifelsfall mit Ihrem Händler in Verbindung. Der für die Aufstellung des Geräts vorgesehene Raum muss für je 8 g des im Gerät befindlichen Kältemittels R-600a ein Raumvolumen von 1 m<sup>3</sup> besitzen.  
Die Menge des in Ihrem Gerät eingesetzten Kältemittels können Sie an dem Typenschild im Innern des Geräts ablesen.
- Aus den Geräterohren austretendes Kältemittel kann sich entzünden oder zu Verletzungen an den Augen führen. Wenn Kältemittel aus den Rohren austritt, vermeiden Sie offene Flammen, und nehmen Sie entzündliche Gegenstände aus der Reichweite des Geräts. Lüften Sie außerdem sofort den Raum.
  - Andernfalls besteht Brand- oder Explosionsgefahr.
- Beachten Sie bitte die folgenden Anweisungen, um eine Kontamination von Lebensmitteln zu vermeiden:
  - Längeres Öffnen der Tür kann zu einem deutlichen Temperaturanstieg in den Fächern des Gerätes führen.



- 
- Reinigen Sie regelmäßig die erreichbaren Entwässerungssysteme sowie die Oberflächen, die mit Lebensmitteln in Berührung kommen können.
  - Reinigen Sie die Wassertanks, wenn sie 48 Stunden lang nicht benutzt wurden und spülen Sie das an die Wasserversorgung angeschlossene Wassersystem, wenn Sie 5 Tage lang kein Wasser entnommen haben.
  - Bewahren Sie rohes Fleisch und Fisch in der Kühl-/ Gefrierkombination in geeigneten Behältern auf, damit sie nicht mit anderen Lebensmitteln in Berührung kommen und keine Flüssigkeit daraus auf andere Lebensmittel tropft.
  - Zwei-Sterne-Tiefkühlfächer eignen sich für die Aufbewahrung von tiefgefrorenen Lebensmitteln, für die Aufbewahrung oder Herstellung von Eiscreme und zur Herstellung von Eiswürfeln.
  - Ein-, Zwei- und Drei-Sterne-Fächer sind zum Einfrieren frische Lebensmittel nicht geeignet.
  - Wenn das Kühlgerät über einen längeren Zeitraum leer bleibt, empfehlen wir, es auszuschalten, abzutauen, zu reinigen, zu trocknen und die Tür offen zu lassen, um Schimmelbildung im Gerät zu verhindern.

# Sicherheitsinformationen

---

## Wichtige Symbole für Sicherheits- und Gefahrenhinweise:

---

Bitte beachten Sie alle Sicherheitshinweise in diesem Benutzerhandbuch. In diesem Handbuch werden folgende Sicherheitssymbole verwendet.

### **WARNUNG**

Gefährliche bzw. unsichere Verhaltensweisen, die zu **schweren Verletzungen, Sachschäden und/oder zum Tod** führen können.

### **VORSICHT**

Gefährliche bzw. unsichere Verhaltensweisen, die zu **schweren Verletzungen und/oder Sachschäden** führen können.

### **HINWEIS**

Nützliche Informationen, die dem Benutzer beim Einsatz der Kühl-/Gefrierkombination helfen.

Die folgenden Warnhinweise sollen Sie und andere vor Verletzungen schützen.

Befolgen Sie sie gewissenhaft.

Lesen Sie diesen Abschnitt aufmerksam durch, und bewahren Sie das Handbuch zum späteren Nachschlagen an einem sicheren Ort auf.

---

## Wichtige Vorsichtsmaßnahmen für Ihre Sicherheit

---



**WARNUNG:** Feuergefahr/brennbare Materialien

### **WARNUNG**

- Achten Sie beim Aufstellen des Geräts darauf, dass das Netzkabel nicht eingeklemmt oder beschädigt wird.
- Stellen Sie weder Steckdosenleisten noch tragbare Stromversorgungen hinter dem Gerät auf.
- Stellen Sie sicher, dass die Lüftungsöffnungen im Gerätegehäuse bzw. bei Einbau des Geräts nicht blockiert sind.
- Verwenden Sie keine anderen als die vom Hersteller empfohlenen mechanischen Vorrichtungen oder Hilfsmittel, um den Abtauvorgang zu beschleunigen.
- Beschädigen Sie niemals das Kältemittelsystem.
- Verwenden Sie keine elektrischen Geräte innerhalb des Lebensmittelabteils des Gerätes, sofern sie nicht dem durch den Hersteller empfohlenen Typ entsprechen.
  
- Dieses Gerät ist nicht zur Verwendung durch Personen (einschließlich Kindern) mit verringerten körperlichen, sensorischen oder mentalen Fähigkeiten oder einem Mangel an Erfahrung und Wissen bestimmt, sofern sie nicht von einer für ihre Sicherheit verantwortlichen Person im Umgang mit dem Gerät unterwiesen wurden und von dieser beaufsichtigt werden.

# Sicherheitsinformationen

---

- Dieses Gerät darf von Kindern ab 8 Jahren und Personen mit verminderten körperlichen, sensorischen oder geistigen Fähigkeiten oder einem Mangel an Erfahrung und Wissen nur bedient werden, wenn sie unter Aufsicht stehen oder eine Unterweisung zum sicheren Umgang mit dem Gerät erhalten haben und die damit verbundenen Gefahren verstehen. Kinder dürfen nicht mit dem Gerät spielen. Kinder dürfen bei Reinigung und Wartung nur dann helfen, wenn sie dabei beaufsichtigt werden. Kinder im Alter von 3 bis 8 Jahren dürfen Kühlgeräte ein- und ausräumen.
- Falls das Netzkabel beschädigt ist, muss es vom Hersteller oder vom Kundendienst bzw. von einer entsprechend qualifizierten Fachkraft ausgetauscht werden, um Gefährdungen auszuschließen.
- Die Steckdose muss leicht zugänglich sein, so dass das Gerät im Notfall schnell von der Stromversorgung getrennt werden kann.
  - Sie darf sich nicht hinter dem Gerät befinden.
- Bewahren Sie in diesem Gerät keine explosiven Stoffe wie Sprühdosen mit brennbaren Treibmitteln auf.
- Wenn das Gerät mit LED-Lampen ausgestattet ist, entfernen Sie nicht selbst die Lampenabdeckungen und die Lampen.
  - Wenden Sie sich an das nächstgelegene Samsung-Kundendienstzentrum.
  - Verwenden Sie nur die vom Hersteller oder Kundendienst empfohlenen LED-Lampen.
- Wenden Sie sich an Ihr nächstgelegenes Kundendienstcenter, wenn eine der inneren oder äußeren LED-Lampen nicht mehr funktioniert.

- 
- Für eine möglichst effiziente Energienutzung wird empfohlen, alle Einsätze, wie z. B. Türfächer, Schubfächer oder Fachböden, in der vom Hersteller angegebenen Position im Gerät zu verwenden.
  - Um die optimale Energieeffizienz für dieses Gerät zu gewährleisten, sollte die ursprüngliche Position der Fachböden, Schubfächer und Türfächer nicht verändert werden.

### So minimieren Sie den Energieverbrauch

- Stellen Sie das Gerät in einem kühlen, trockenen Raum mit ausreichender Belüftung auf.
- Stellen Sie sicher, dass es keinem direkten Sonnenlicht ausgesetzt ist und nicht in unmittelbarer Nähe von Wärmequellen (z. B. Heizkörper) aufgestellt wird.
  - Für eine gute Energieeffizienz wird empfohlen, die Lüfter und Gitter nicht zu versperren.
  - Lassen Sie warme Lebensmittel erst abkühlen, bevor Sie sie in das Gerät stellen.
  - Geben Sie tiefgefrorene Lebensmittel zum Auftauen in das Kühlabteil. Die niedrigen Temperaturen der tiefgefrorenen Lebensmittel können dann dazu genutzt werden, die übrigen Lebensmittel im Kühlabteil zu kühlen.
  - Lassen Sie die Tür des Gerätes nicht zu lange offen stehen, wenn Sie Lebensmittel hineinlegen oder herausnehmen.
  - Je kürzer die Zeit, in der die Tür geöffnet ist, desto weniger Eis bildet sich im Innern des Geräts.

# Sicherheitsinformationen

---

- Reinigen Sie die Rückseite der Kühl-/Gefrierkombination in regelmäßigen Abständen. Staub steigert den Energieverbrauch.
- Stellen Sie die Temperatur im Innern des Geräts nicht niedriger ein als nötig.
- Stellen Sie sicher, dass die Abluft an der Unterseite und Rückwand der Kühl-/Gefrierkombination ausreichend zirkulieren kann. Versperren Sie nicht die Lüftungsöffnungen.
- Achten Sie bei der Installation darauf, dass links, rechts, hinten und oben am Gerät ein Freiraum verbleibt. Dies wird dazu beitragen, den Stromverbrauch zu senken und Ihre Energiekosten gering zu halten.
- Wählen Sie eine Einbautiefe von 560 mm. Eine geringere Einbautiefe führt zu einem höheren Energieverbrauch.

**Dieses Gerät ist zur Verwendung im Haushalt und ähnlichen Umgebungen bestimmt, wie z. B.:**

- in Küchen oder Kantinen in Geschäften, Büros und anderen Arbeitsumgebungen;
- durch die Gäste in Gasthäusern, Hotels, Motels und anderen Wohnumgebungen;
- in Frühstückspensionen und ähnlichen Umgebungen;
- in Gastronomiebetrieben und ähnlichen Bereichen außerhalb des Einzelhandels.

---

## Wichtige Warnhinweise für Transport und Aufstellungsort

---

### **WARNUNG**

- Achten Sie darauf, dass keine Teile des Kühlkreislaufs beschädigt werden, wenn Sie das Gerät transportieren oder aufstellen.
  - Aus den Rohren austretendes Kältemittel kann sich entzünden oder zu Verletzungen der Augen führen. Wenn Kältemittel austritt, vermeiden Sie offene Flammen oder potenzielle Zündquellen, und lüften Sie einige Minuten lang den Raum, in dem sich das Gerät befindet.
  - Bei diesem Gerät wird eine geringe Menge eines Isobutan-Kältemittels (R-600a) eingesetzt. Dies ist ein natürliches Gas mit hoher Umweltverträglichkeit, das allerdings auch brennbar ist. Achten Sie darauf, dass keine Teile des Kühlkreislaufs beschädigt werden, wenn Sie das Gerät transportieren oder aufstellen.

## Wichtige Warnhinweise für das Aufstellen

---

### **WARNUNG**

- Stellen Sie das Gerät nicht in feuchten Räumen oder an einem Ort auf, wo es mit Wasser in Kontakt kommen kann.
  - Beschädigte Isolierungen von elektrischen Teilen können zu einem Stromschlag oder Brand führen.
- Setzen Sie das Gerät nicht direktem Sonnenlicht aus und stellen Sie es nicht in der Nähe von Öfen, Heizkörpern oder anderen Wärmequellen auf.

# Sicherheitsinformationen

---

- Stecken Sie den Netzstecker des Geräts nicht in eine Steckdosenleiste, die auch für andere Geräte verwendet wird. Die Kühl-/Gefrierkombination darf immer nur an eine ausschließlich für dieses Gerät bestimmte Steckdose angeschlossen werden, deren Spannung mit der auf dem Typenschild am Gerät übereinstimmt.
  - Dies gewährleistet eine optimale Leistung und verhindert eine Überlastung der Stromkreise im Haus, die einen Brand aufgrund überhitzter Leitungen auslösen könnte.
- Stecken Sie den Netzstecker nicht in eine lose Steckdose.
  - Andernfalls besteht die Gefahr eines Stromschlags oder Brands.
- Verwenden Sie keine Kabel, die im Kabelverlauf oder an einem der Enden Brüche oder Abnutzungsschäden aufweisen.
- Knicken Sie das Netzkabel nicht übermäßig und stellen Sie keine schweren Gegenstände darauf ab.
- Ziehen Sie nicht am Netzkabel und knicken Sie es nicht übermäßig.
- Verdrehen bzw. verknoten Sie das Netzkabel nicht.
- Verlegen Sie das Netzkabel nicht über scharfe Metallkanten, stellen Sie keine schweren Gegenstände darauf, verlegen Sie das Netzkabel nicht zwischen Objekten und schieben Sie das Netzkabel nicht in den Raum hinter dem Gerät.
- Achten Sie darauf, das Gerät beim Verschieben nicht über das Netzkabel zu fahren und dieses zu beschädigen.
  - Andernfalls besteht die Gefahr eines Stromschlags oder Brands.



- 
- Schalten Sie Ihre Kühl-/Gefrierkombination niemals aus, indem Sie das Netzkabel herausziehen. Fassen Sie den Stecker immer fest an und ziehen Sie ihn gerade aus der Steckdose.
    - Schäden am Kabel können einen Kurzschluss, Brand und/oder Stromschlag verursachen.
  - Verwenden Sie in der Nähe der Kühl-/Gefrierkombination keine Aerosole.
    - Die Verwendung von Aerosolen in der Nähe der Kühl-/Gefrierkombination kann zu Explosionen oder Bränden führen.
  - Stellen Sie dieses Gerät nicht in der Nähe von Heizkörpern oder brennbaren Materialien auf.
  - Stellen Sie dieses Gerät nicht an Orten auf, an denen Gas austreten kann.
    - Andernfalls besteht die Gefahr eines Stromschlags oder Brands.
  - Dieses Gerät muss vor der Inbetriebnahme in Übereinstimmung mit den Anweisungen in diesem Benutzerhandbuch ordnungsgemäß aufgestellt und installiert werden.
  - Schließen Sie den Netzstecker ordnungsgemäß mit dem Kabel nach unten an die Steckdose an.
    - Wenn Sie den Netzstecker falsch herum (also mit dem Kabel nach oben) in die Steckdose stecken, kann das Kabel durchtrennt werden und einen Brand oder Stromschlag verursachen.
  - Stellen Sie stets sicher, dass der Netzstecker nicht durch die Rückwand des Geräts gequetscht oder beschädigt wird.

# Sicherheitsinformationen

---

- Bewahren Sie die Verpackungsmaterialien außerhalb der Reichweite von Kindern auf.
  - Es besteht Erstickungsgefahr, wenn Kinder sich diese Materialien über den Kopf ziehen.
- Stellen Sie dieses Gerät weder an einem feuchten, öligen oder staubigen Ort noch an einem Platz auf, der direktem Sonnenlicht oder Wassereinwirkungen (z. B. Regen) ausgesetzt ist.
  - Beschädigte Isolierungen von elektrischen Teilen können zu einem Stromschlag oder Brand führen.
- Wenn sich Staub oder Wasser im Gerät angesammelt haben, trennen Sie die Stromversorgung, und wenden Sie sich an das nächstgelegene Kundendienstzentrum von Samsung Electronics.
  - Andernfalls besteht Brandgefahr.
- Stellen Sie sich nicht auf das Gerät und legen oder stellen Sie keine Gegenstände (Wäsche, brennende Kerzen, brennende Zigaretten, Geschirr, Chemikalien, Metallgegenstände usw.) auf das Gerät.
  - Andernfalls besteht Verletzungs- oder Brandgefahr bzw. die Gefahr von Stromschlägen oder Störungen des Geräts.
- Entfernen Sie sämtliche Schutzfolien, bevor Sie das Gerät erstmalig in Betrieb nehmen.

- 
- Kinder müssen beaufsichtigt werden, damit sie nicht mit den Unterlegscheiben für die Türeinrichtung oder mit den Klemmen für die Wasserleitungen spielen.
    - Es besteht die Gefahr von Tod durch Ersticken, wenn ein Kind eine Unterlegscheibe oder eine Wasserrohrklemme verschluckt. Halten Sie die Sprengringe und Wasserrohrklammern außerhalb der Reichweite von Kindern.
  - Die Kühl-/Gefrierkombination muss sicher geerdet werden.
    - Achten Sie immer darauf, dass die Kühl-/Gefrierkombination geerdet ist, bevor Sie versuchen, irgendein Teil des Gerätes zu untersuchen oder zu reparieren. Leckagen im Stromkreislauf können zu schweren elektrischen Schlägen führen.
  - Verwenden Sie niemals Gasleitungen, Telefonleitungen oder andere potenziell blitzschlaggefährdete Gegenstände zur Erdung des Gerätes.
    - Das Gerät muss geerdet werden, um durch Leckströme verursachte Stromverluste und Stromschläge zu verhindern.
    - Andernfalls besteht die Gefahr von Stromschlägen, Brand, Explosion oder Störungen des Geräts.
  - Stecken Sie den Netzstecker fest in die Steckdose. Verwenden Sie keine beschädigten Netzstecker bzw. Netzkabel und keine losen Steckdosen.
    - Andernfalls besteht die Gefahr eines Stromschlags oder Brands.

# Sicherheitsinformationen

---

- Die Gerätesicherung darf nur von einem qualifizierten Techniker oder einem dazu befugten Dienstleister ausgetauscht werden.
  - Andernfalls besteht die Gefahr von Stromschlägen oder Verletzungen.
- Dieses Einbaugerät erfordert eine geführte Belüftung. Um die Gefahr einer etwaigen Explosion auszuschließen, müssen Sie unbedingt für ausreichend Platz zur Entlüftung sorgen.
- Die Gerätesicherung darf nur von einem qualifizierten Techniker oder einem dazu befugten Dienstleister ausgetauscht werden. Andernfalls besteht die Gefahr von Stromschlägen oder Verletzungen.

## Vorsichtshinweise für die Aufstellung

---

### **VORSICHT**

- Stellen Sie die Kühl-/Gefrierkombination auf einer ebenen Fläche auf und lassen Sie ausreichend Platz um das Gerät.
  - Wenn die Kühl-/Gefrierkombination nicht auf einer ebenen Fläche aufgestellt wird, können Kühlleistung und Zuverlässigkeit sinken.
- Lassen Sie das Gerät nach dem Aufstellen und Einschalten 2-3 Stunden lang ruhen, bevor Sie es mit Lebensmitteln füllen.

- 
- Wir empfehlen Ihnen dringend, die Aufstellung der Kühl-/Gefrierkombination durch einen qualifizierten Techniker oder ein Serviceunternehmen durchführen zu lassen.
    - Andernfalls besteht Verletzungs- oder Brandgefahr bzw. die Gefahr von Stromschlägen, Explosionen oder Störungen des Geräts.

## **Wichtige Warnhinweise für die Verwendung**

---

### **⚠️ WARNUNG**

- Stecken Sie den Netzstecker nicht mit nassen Händen in die Steckdose.
  - Andernfalls besteht die Gefahr von Stromschlägen.
- Stellen Sie keine Gegenstände oben auf das Gerät.
  - Die Gegenstände könnten beim Öffnen oder Schließen der Gerätetür herunterfallen und zu Verletzungen und/oder Sachschäden führen.
- Stecken Sie weder Ihre Hände und Füße noch Metallgegenstände (Esstübchen usw.) von unten oder von hinten in das Gerät.
  - Andernfalls besteht die Gefahr von Stromschlägen oder Verletzungen.
  - Scharfe Kanten können zu Verletzungen führen.
- Berühren Sie die Innenseiten des Geräts oder die darin aufbewahrten Lebensmittel nicht mit nassen Händen.
  - Dies kann zu Erfrierungen führen.

# Sicherheitsinformationen

---

- Stellen Sie keinen mit Wasser gefüllten Behälter auf das Gerät.
  - Wenn das Wasser verschüttet wird, besteht die Gefahr eines Stromschlags oder Brands.
- Bewahren Sie keine flüchtigen oder entflammbaren Gegenstände oder Stoffe (Reinigungsbenzin, Verdünner, Propangas, Alkohol, Äther, Erdgas oder ähnliche Produkte) in der Kühl-/Gefrierkombination auf.
  - Dieses Gerät ist ausschließlich zur Aufbewahrung von Lebensmitteln bestimmt.
  - Andernfalls besteht Brand- oder Explosionsgefahr.
- Kinder müssen beaufsichtigt werden, um zu verhindern, dass sie mit dem Gerät spielen.
  - Halten Sie Ihre Finger von „Quetschstellen“ fern. Die Abstände zwischen den Türen und dem Schrank sind notwendigerweise klein. Öffnen Sie die Gerätetüren mit großer Vorsicht, wenn sich Kinder in der Nähe befinden.
- Stecken Sie nicht Ihre Finger oder die Finger von Kindern zwischen die Türen.
  - Halten Sie Ihre Finger von den Türspalten links und rechts fern. Öffnen Sie die Gerätetür mit großer Vorsicht, wenn sich Ihre Finger zwischen den Türen befinden.
- Lassen Sie nicht zu, dass Kinder sich an die Tür oder die Türfächer hängen. Andernfalls kann es zu ernsthaften Verletzungen kommen.
- Lassen Sie Kinder nicht in das Gerät hineinklettern. Sie könnten sich darin einsperren.

- 
- Stecken Sie Ihre Hände nicht in den Bodenbereich unter dem Gerät.
    - Scharfe Kanten können zu Verletzungen führen.
  - Bewahren Sie keine Arzneimittel, lebensmittelfremde Materialien oder temperaturempfindliche Produkte in der Kühl-/Gefrierkombination auf.
    - Lebensmittel, die unter streng kontrollierten Temperaturbedingungen gelagert werden müssen, dürfen nicht in diesem Gerät aufbewahrt werden.
  - Wenn das Gerät nach Arzneimitteln oder Rauch riecht, trennen Sie sofort die Stromversorgung und wenden Sie sich an Ihr nächstgelegenes Kundendienstzentrum von Samsung Electronics.
  - Wenn sich Staub oder Wasser in der Kühl-/Gefrierkombination angesammelt haben, trennen Sie die Stromversorgung und wenden Sie sich an das nächstgelegene Kundendienstzentrum von Samsung Electronics.
    - Andernfalls besteht Brandgefahr.
  - Lassen Sie nicht zu, dass Kinder auf die Schubfächer der Kühl-/Gefrierkombination steigen.
    - Die Schubfächer könnten abbrechen und zu Stürzen führen.
  - Lassen Sie die Türen des Geräts nicht offen stehen, wenn dieses unbeaufsichtigt ist, und lassen Sie Kinder nicht in das Gerät hineinklettern.

# Sicherheitsinformationen

---

- Lassen Sie Kinder oder Kleinkinder nicht in die Schubfächer klettern.
  - Dies kann zum Tod durch Ersticken oder zu Verletzungen führen, wenn die Kinder darin gefangen sind.
- Füllen Sie nicht zu viele Lebensmittel in die Kühl-/Gefrierkombination.
  - Die Gegenstände könnten beim Öffnen der Gerätetür herausfallen und zu Verletzungen oder Sachschäden führen.
- Sprühen Sie keine flüchtigen Substanzen wie Insektensprays auf die Oberfläche des Geräts.
  - Sie sind nicht nur gefährlich für Ihre Gesundheit, sondern es besteht außerdem die Gefahr eines Brands, eines Stromschlags oder einer Störung des Geräts.
- Verwenden Sie keine temperaturempfindlichen Materialien wie entflammable Sprays und Gegenstände, Trockeneis, Medikamente oder Chemikalien in der Nähe oder innerhalb der Kühl-/Gefrierkombination und bewahren Sie sie nicht dort auf.
- Verwenden Sie keine Haartrockner, um das Innere des Geräts zu trocknen. Stellen Sie keine brennende Duftkerze in das Gerät, um unangenehme Gerüche zu beseitigen.
  - Andernfalls besteht die Gefahr eines Stromschlags oder Brands.



- 
- Stellen Sie sich nicht auf das Gerät und legen oder stellen Sie keine Gegenstände (Wäsche, brennende Kerzen, brennende Zigaretten, Geschirr, Chemikalien, Metallgegenstände usw.) auf das Gerät. Andernfalls besteht Verletzungs- oder Brandgefahr bzw. die Gefahr von Stromschlägen oder Störungen des Geräts. Stellen Sie keine mit Wasser gefüllten Behälter auf das Gerät.
    - Wenn das Wasser verschüttet wird, besteht die Gefahr eines Stromschlags oder Brands.
  - Schauen Sie niemals direkt für eine längere Zeit auf die LED-UV-Lampe.
    - Andernfalls können Verletzungen der Augen aufgrund der UV-Strahlung die Folge sein.
  - Legen Sie den Boden nicht mit der Oberseite nach unten ein. Dies könnte die Funktionsweise der Fachböden beeinträchtigen.
    - Dies kann zu Verletzungen oder Sachschäden durch herunterfallende Glasfachböden führen.
  - Wenn ein Gasleck auftritt, vermeiden Sie offenes Feuer oder potenzielle Zündquellen und lüften Sie einige Minuten lang den Raum, in dem sich das Gerät befindet.
    - Berühren Sie dann weder das Gerät noch das Netzkabel.
    - Verwenden Sie keinen Lüfter.
    - Jeder Funke kann zu einer Explosion oder einem Brand führen.
  - Flaschen sollten dicht nebeneinander verstaut werden, damit sie nicht aus dem Gerät fallen.
  - Dieses Gerät ist ausschließlich für die Aufbewahrung von Lebensmitteln in Privathaushalten bestimmt.

# Sicherheitsinformationen

---

- Versuchen Sie nicht, das Gerät selbst zu reparieren, auseinander zu bauen oder zu verändern.
  - Nicht autorisierte Änderungen können Sicherheitsprobleme verursachen. Wenn wir eine nicht autorisierte Änderung rückgängig machen sollen, berechnen wir die vollen Kosten für Ersatzteile und Arbeitszeit.
- Verwenden Sie ausschließlich Normsicherungen (KEINESFALLS Überbrückungen aus Kupfer, Stahldraht usw.).
- Wenn Ihre Kühl-/Gefrierkombination repariert oder an einem anderen Ort aufgestellt werden muss, wenden Sie sich bitte an den nächstgelegenen Servicepartner.
  - Andernfalls besteht Verletzungs- oder Brandgefahr bzw. die Gefahr von Stromschlägen oder Störungen des Geräts.
- Wenn die Kühl-/Gefrierkombination nach Feuer riecht oder Rauch abgibt, trennen Sie das Gerät sofort vom Stromnetz und wenden Sie sich Ihren Samsung Electronics-Servicepartner.
  - Andernfalls besteht die Gefahr eines Stromschlags oder Brands.
- Ziehen Sie den Netzstecker aus der Steckdose, bevor Sie die Beleuchtung im Innern des Geräts austauschen.
  - Andernfalls besteht die Gefahr eines Stromschlags.
- Wenn Sie Probleme bei Austausch einer Nicht-LED-Lampe haben, wenden Sie sich bitte an einen Samsung-Servicepartner.
- Stecken Sie den Netzstecker fest in die Steckdose.

- 
- Verwenden Sie keine beschädigten Netzstecker bzw. Netzkabel und keine losen Steckdosen.
    - Andernfalls besteht die Gefahr eines Stromschlags oder Brands.

## Vorsichtshinweise für die Verwendung

---

### **VORSICHT**

- Frieren Sie aufgetaute Lebensmittel nicht wieder ein.
  - Gefrorene und aufgetaute Lebensmittel entwickeln schädliche Bakterien schneller als frische.
  - Beim zweiten Auftauen werden noch mehr Zellen zersetzt, sodass Feuchtigkeit austritt und die Konsistenz des Produkts sich verändert.
- Fleisch nicht bei Raumtemperatur auftauen.
  - Die Sicherheit hängt davon ab, ob das Rohprodukt ordnungsgemäß behandelt wurde.
- bewahren Sie keine Glasflaschen oder kohlenensäurehaltige Getränke im Gefrierabteil auf.
  - Die Behälter könnten beim Einfrieren platzen und zu Verletzungen führen.
- Verwenden Sie nur die mit dem Gerät mitgelieferte Eismaschine.
- Um eine optimale Leistung des Geräts zu gewährleisten,
  - stellen Sie keine Lebensmittel zu nah an die Lüftungsöffnungen auf der Rückseite des Geräts, da sonst die Luftzirkulation im Gerät beeinträchtigt werden kann,

# Sicherheitsinformationen

---

- geben Sie die zu lagernden Lebensmittel in geeignete Kunststoffbeutel oder in luftdichte Behälter, bevor Sie sie in das Gerät legen,
- Beachten Sie die maximale Aufbewahrungsdauer und das Verfallsdatum von tiefgefrorenen Lebensmitteln.
- Das Gerät muss nicht vom Stromnetz getrennt werden, wenn Sie weniger als drei Wochen außer Haus sind. Wenn Sie jedoch länger als drei Wochen abwesend sein werden, entfernen Sie sämtliche Lebensmittel und das Eis im Eisbehälter, trennen Sie die Kühl-/Gefrierkombination vom Netz, schließen Sie den Wasserhahn, wischen Sie überschüssige Feuchtigkeit von den Innenwänden ab und lassen Sie die Türen offen, damit sich keine Gerüche und Schimmel bilden.
- Servicegarantie und Veränderungen.
  - Sämtliche Veränderungen, die von einer Fremdpartei an diesem Gerät durchgeführt werden, sind nicht durch die Servicegarantie von Samsung abgedeckt und Samsung haftet daher nicht für Sicherheitsprobleme und Schäden, die durch solche von Fremdparteien vorgenommenen Veränderungen verursacht werden.
- Blockieren Sie nicht die Lüftungsöffnungen im Innern der Kühl-/Gefrierkombination.
  - Wenn die Lüftungsöffnungen beispielsweise mit einer Plastiktüte blockiert sind, wird die Kühl-/Gefrierkombination möglicherweise zu stark heruntergekühlt.

- 
- Wischen Sie überschüssige Feuchtigkeit im Innern des Geräts ab und lassen Sie die Gerätetür geöffnet.
    - Andernfalls können sich schlechte Gerüche und Ablagerungen bilden.
  - Wenn die Kühl-/Gefrierkombination von der Stromversorgung getrennt war, müssen Sie mindestens fünf Minuten warten, ehe Sie ihn wieder anschließen.
  - Wenn das Gerät durch den Kontakt mit Wasser nass geworden ist, ziehen Sie den Netzstecker und wenden Sie sich an den Kundendienst von Samsung Electronics.
  - Beschädigen Sie keine Glasflächen durch Schläge oder starke Krafteinwirkung.
    - Das Glas könnte brechen und zu Verletzungen und/oder Sachschäden führen.
  - Seien Sie vorsichtig, damit Sie sich nicht die Finger einklemmen.
  - Kontaktieren Sie bitte den Kundendienst, wenn die Kühl-/Gefrierkombination unter Wasser gesetzt wurde.
    - Andernfalls besteht die Gefahr eines Stromschlags oder Brands.

# Sicherheitsinformationen

---

- Bewahren Sie kein Pflanzenöl in den Türbehältern der Kühl-/Gefrierkombination auf. Das Öl kann zähflüssig werden, sodass es ungenießbar wird und schwer zu gebrauchen ist. Darüber hinaus kann der offene Behälter auslaufen und das ausgetretene Öl kann dazu führen, dass das Türfach Risse bekommt. Nach dem Öffnen eines Ölbehälters ist es das Beste, den Behälter an einem kühlen und schattigen Ort wie in einem Schrank oder einer Speisekammer aufzubewahren.
  - Beispiele für Pflanzenöle: Olivenöl, Maisöl, Traubenkernöl usw.

## Vorsichtshinweise für die Reinigung

---

### **VORSICHT**

- Sprühen Sie kein Wasser direkt in oder auf die Kühl-/Gefrierkombination.
  - Es besteht die Gefahr von Stromschlägen oder Bränden.
- Verwenden Sie keine Haartrockner, um das Innere des Geräts zu trocknen.
- Stellen Sie keine brennende Duftkerze in das Gerät, um unangenehme Gerüche zu beseitigen.
  - Andernfalls besteht die Gefahr eines Stromschlags oder Brands.
- Sprühen Sie keine Reinigungsmittel direkt auf das Display.
  - Andernfalls können sich die Aufdrucke auf dem Display lösen.

- 
- Wenn ein Fremdstoff, wie z. B. Wasser, in das Gerät eingedrungen ist, ziehen Sie den Netzstecker und wenden Sie sich an Ihr nächstgelegenes Kundendienstzentrum.
    - Andernfalls besteht die Gefahr eines Stromschlags oder Brands.
  - Verwenden Sie ein sauberes, trockenes Tuch, um Fremdkörper oder Staub von den Kontakten des Netzsteckers zu entfernen. Verwenden Sie zur Reinigung des Steckers kein nasses oder feuchtes Tuch.
    - Andernfalls besteht die Gefahr eines Stromschlags oder Brandes.
  - Sprühen Sie zum Reinigen kein Wasser direkt auf das Gerät.
  - Reinigen Sie das Gerät niemals mit Waschbenzin, Verdünner, Bleichmittel oder Chlor.
    - Andernfalls können Schäden an der Oberfläche des Geräts oder ein Brand die Folge sein.
  - Ziehen Sie den Netzstecker aus der Steckdose, bevor Sie das Gerät reinigen oder Wartungsarbeiten durchführen.
    - Andernfalls besteht die Gefahr eines Stromschlags oder Brands.
  - Verwenden Sie einen sauberen Schwamm oder ein weiches Tuch mit warmem Wasser und einem mildes Reinigungsmittel, um die Kühl-/Gefrierkombination zu reinigen.

## Sicherheitsinformationen

---

- Verwenden Sie für die Reinigung der Außenflächen (Türen und Schränke), Kunststoffteile, Tür- und Innenauskleidungen sowie Dichtungen keine scheuernden oder scharfen Reinigungsmittel wie Glasreinigersprays, Scheuermittel, brennbare Flüssigkeiten, Salzsäure, Reinigungswachse, Reinigungsmittelkonzentrate, Bleichmittel oder Reinigungsmittel, die Erdölprodukte enthalten.
  - Diese können das Material zerkratzen oder beschädigen.
- Reinigen Sie die Glaseinlegeböden oder Abdeckungen nicht mit heißem Wasser, solange diese kalt sind. Glaseinlegeböden und Abdeckungen können zerspringen, wenn sie plötzlichen Temperaturschwankungen oder Krafteinwirkungen (Stöße, Schläge, Herunterfallen) ausgesetzt sind.



---

## Wichtige Hinweise für die Entsorgung

---

### **WARNUNG**

- Achten Sie auf eine umweltgerechte Entsorgung des Verpackungsmaterials für dieses Gerät.
- Stellen Sie vor der Entsorgung sicher, dass die Rohre an der Geräterückseite nicht beschädigt sind.
- Entfernen Sie für eine ordnungsgemäße Entsorgung dieser Kühl-/Gefrierkombination die Gerätetür sowie die Dichtungen und die Verriegelung der Gerätetür, damit Kinder oder Tiere nicht versehentlich im Gerät eingeschlossen werden können. Kinder müssen beaufsichtigt werden, um zu verhindern, dass sie mit dem Gerät spielen. Wenn ein Kind eingeschlossen ist, kann es sich verletzen und ersticken.
  - Wenn ein Kind im Gerät eingeschlossen ist, besteht Verletzungs- und Erstickungsgefahr.
- In der Geräteisolierung wurde Cyclopentan verwendet. Die im Isoliermaterial gebundenen Gase erfordern eine spezielle Entsorgung. Informationen zur umweltfreundlichen Entsorgung dieses Geräts erhalten Sie bei den örtlichen Behörden.
- Bewahren Sie alle Verpackungsmaterialien außerhalb der Reichweite von Kindern auf, denn Verpackungsmaterial kann für Kinder gefährlich sein.
  - Wenn ein Kind sich eine Plastiktüte über den Kopf zieht, kann dies zum Ersticken führen.

# Sicherheitsinformationen

---

## Weitere Tipps zur ordnungsgemäßen Verwendung

---

- Wenden Sie sich im Falle eines Stromausfalls an das örtliche Büro Ihres Stromversorgungsunternehmens und fragen Sie, wie lange der Ausfall voraussichtlich dauern wird.
  - Die meisten Stromausfälle können innerhalb von ein bis zwei Stunden behoben werden und haben keine negativen Auswirkungen auf die in Ihrer Kühl-/Gefrierkombination herrschende Temperatur. Während eines Stromausfalls sollten Sie jedoch die Gerätetür so selten wie möglich öffnen.
  - Sollte der Stromausfall länger als 24 Stunden andauern, entsorgen Sie das gesamte Gefriergut.
- Die Kühl-/Gefrierkombination arbeitet möglicherweise nicht korrekt (gefrorener Inhalt kann auftauen oder die Temperatur im Gefrierfach zu hoch werden), wenn er über einen längeren Zeitraum an einem Ort aufgestellt ist, wo die Umgebungstemperatur durchgehend unterhalb der Temperatur liegt, für die das Gerät ausgelegt ist.
- Bestimmte temperaturempfindliche Lebensmittel sollten nicht gekühlt oder gar eingefroren werden, da sie ansonsten aufgrund ihrer speziellen Eigenschaften verderben können.
- Ihr Gerät ist frostfrei, d. h. der Abtauvorgang muss nicht von Ihnen manuell durchgeführt werden. Er erfolgt automatisch.

- 
- Der Temperaturanstieg beim Abtauen erfüllt die ISO-Anforderungen. Wenn Sie jedoch bei Gefriergut einen übermäßigen Temperaturanstieg verhindern möchten, wickeln Sie beim Abtauen des Geräts das Gefriergut in mehrere Lagen Zeitungspapier.
  - Frieren Sie bereits vollständig aufgetaute Lebensmittel nicht wieder ein.
  - Die Temperatur in mit zwei Sternen (\*\*) gekennzeichneten Fächern oder Abteilen (☼) ist geringfügig höher als die im restlichen Gefrierabteil.  
Die Position der Zwei-Sterne-Fächer variiert je nach Modell. Schlagen Sie im Zweifelsfall im mitgelieferten Benutzerhandbuch nach.

# Sicherheitsinformationen

---

## Hinweise zur WEEE-Kennzeichnung

---



Korrekte Entsorgung von Altgeräten (Elektroschrott)  
(Gilt für Länder mit Abfalltrennsystemen)

Die Kennzeichnung auf dem Produkt, Zubehörteilen bzw. auf der dazugehörigen Dokumentation gibt an, dass das Produkt und Zubehörteile (z. B. Ladegerät, Kopfhörer, USB-Kabel) nach ihrer Lebensdauer nicht zusammen mit dem normalen Haushaltsmüll entsorgt werden dürfen. Entsorgen Sie dieses Gerät und Zubehörteile bitte getrennt von anderen Abfällen, um der Umwelt bzw. der menschlichen Gesundheit nicht durch unkontrollierte Müllbeseitigung zu schaden. Helfen Sie mit, das Altgerät und Zubehörteile fachgerecht zu entsorgen, um die nachhaltige Wiederverwertung von stofflichen Ressourcen zu fördern.

Private Nutzer wenden sich an den Händler, bei dem das Produkt gekauft wurde, oder kontaktieren die zuständigen Behörden, um in Erfahrung zu bringen, wo Sie das Altgerät bzw. Zubehörteile für eine umweltfreundliche Entsorgung abgeben können. Gewerbliche Nutzer wenden sich an ihren Lieferanten und gehen nach den Bedingungen des Kaufvertrags vor. Dieses Produkt und elektronische Zubehörteile dürfen nicht zusammen mit anderem Gewerbemüll entsorgt werden.

Weitere Informationen zu den Umweltverpflichtungen von Samsung und zu produktspezifischen gesetzlichen Pflichten (z. B. REACH, WEEE und Batterien) finden Sie unter [www.samsung.com](http://www.samsung.com) auf unseren Nachhaltigkeitsseiten.

(Nur für Produkte, die in Europa und im Vereinigten Königreich verkauft werden)

# Aufstellung

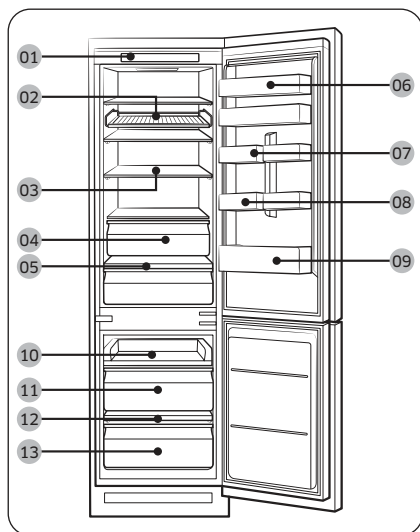
Befolgen Sie diese Anweisungen sorgfältig, um eine ordnungsgemäße Aufstellung dieser Kühl-/Gefrierkombination vor seiner Inbetriebnahme zu gewährleisten und Unfälle zu verhindern.

## ⚠️ WARNUNG

- Verwenden Sie die Kühl-/Gefrierkombination nur zu den in diesem Benutzerhandbuch beschriebenen Zwecken.
- Jede Wartung muss von einem qualifizierten Techniker durchgeführt werden.
- Entsorgen Sie das Produktverpackungsmaterial gemäß den örtlichen Vorschriften.
- Zur Verhinderung von Stromschlägen ziehen Sie das Netzkabel vor Wartungs- oder Austauscharbeiten heraus.

## Ihre Kühl-/Gefrierkombination auf einen Blick

Das tatsächliche Aussehen und die mitgelieferten Zubehörteile der Kühl-/Gefrierkombination können sich je nach Modell und Land unterscheiden.



- 01 Bedienfeld
- 02 Weinregal \*
- 03 Fachboden im Kühlabteil \*
- 04 Schubfach im Kühlabteil \*
- 05 Fachboden für Gemüse \*
- 06 Türfach oben \*
- 07 Verschiedene Türfächer
- 08 Eiereinsatz \*
- 09 Türfach im Kühlabteil
- 10 Auszugsboden
- 11 Mittleres Schubfach im Gefrierabteil
- 12 Zwischenboden \*
- 13 Unteres Schubfach im Gefrierabteil

\* Nur bestimmte Modelle

## 📖 HINWEIS

- Für beste Energieeffizienz müssen alle Böden, Schubfächer und Körbe wieder in ihre ursprüngliche Position gebracht werden.
- Nur für Modelle, die eine Zwischenboden haben:
  - Verwenden Sie zum schnellen Einfrieren größerer Mengen von Lebensmitteln das Gefrierabteil, nachdem Sie dessen unteres Schubfach entfernt haben.
  - Um mehr Platz zu schaffen, können Sie den Auszugsboden (10) und die beiden darunter befindlichen Schubfächer im Gefrierabteil (11, 13) herausnehmen, jedoch den Zwischenboden auf dem unteren Schubfach des Gefrierabteils an Ort und Stelle lassen. Sie haben keinen Einfluss auf die thermischen und mechanischen Eigenschaften. Das angegebene Volumen des Gefrierabteils wurde ohne diesen Boden und die Schubfächer berechnet.

# Aufstellung

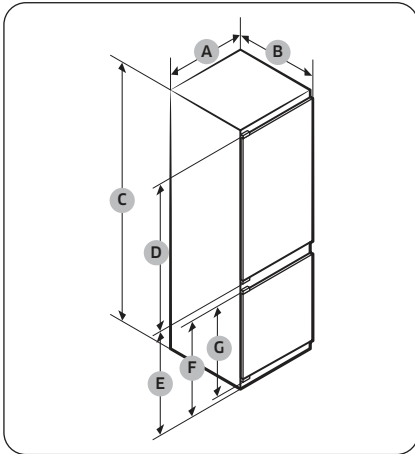
## Aufstellungshinweise in Verfahrensschritten

### SCHRITT 1 Standortauswahl

Anforderungen an den Standort:

- Ebener, fester Untergrund ohne Teppich oder Bodenbelag, der die Entlüftung behindern könnte
- Nicht im direkten Sonnenlicht
- Ausreichend Platz zum Öffnen und Schließen der Tür
- Nicht in der Nähe von Wärmequellen
- Raum für Wartung und Service

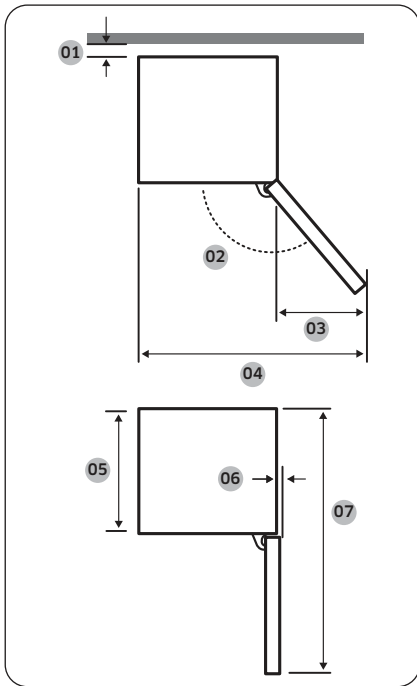
Abmessungen des Geräts



|   | BRB***26*       | BRB***30*       |
|---|-----------------|-----------------|
| A | 540±2           | 540±2           |
| B | 550±2 (mit Tür) | 550±2 (mit Tür) |
| C | 1775±2          | 1935±2          |
| D | 987             | 1147            |
| E | 735             | 735             |
| F | 671             | 671             |
| G | 621             | 621             |

(Einheit: mm)

## Gesamtabmessungen des Geräts



| Modell | BRB*****SO<br>SCHIEBEAUSFÜHRUNG | BRB*****FO<br>FESTSTEHENDE<br>AUSFÜHRUNG |
|--------|---------------------------------|--|
| 01*    | 10 (Min.) / 30 (Empfohlen)      |  |
| 02     | 95° (Empfohlen)                 | 115° (Empfohlen)                         |
| 03     | 218                             | 180                                      |
| 04     | 758                             | 700                                      |
| 05     | 510                             | 510                                      |
| 06     | 1                               | 5  |
| 07     | 1055                            | 1055                                     |

\* 01: Vom Schrank bis zur Rückseite des Geräts.  
(Einheit: mm)

### HINWEIS

- Für den angegebenen Energieverbrauch wird davon ausgegangen, dass ein Abstand von 10 mm zwischen dem Schrank und der Rückseite des Geräts eingehalten wird. Das Gerät funktioniert auch bei einem Abstand von weniger als 10 mm einwandfrei, verbraucht dann jedoch etwas mehr Energie.
- Wir empfehlen die Verwendung eines Schanks mit 18 mm starken Wänden und Scharnieren mit weniger als 20 mm Stärke.

### HINWEIS

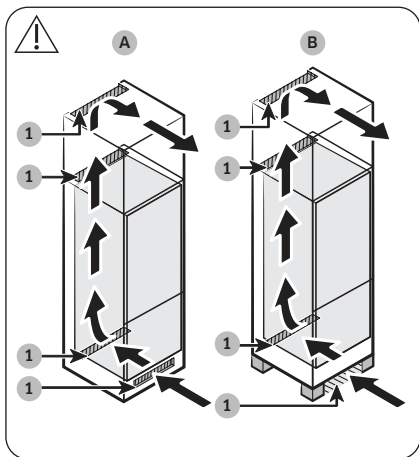
- Die Abmessungen können je nach Messverfahren von den Werten der obigen Tabelle abweichen.
- Informationen zur Aufstellung als Einbaugerät erhalten Sie im Installationshandbuch.

# Aufstellung

## Entlüftungssystem des Schrankes

Die in die Kühl-/Gefrierkombination eintretende Luft zirkuliert wie in der Abbildung dargestellt entlang dem Lüftungsweg (siehe Pfeilrichtung) des Schrankes. Der Schrank muss über eine Öffnung von mindestens 200 cm<sup>2</sup> (B x H: 500 mm x 40 mm) für den Lufteinlass wie auch für den Luftauslass verfügen. Außerdem muss der Schrank hinten eine Öffnung von mindestens 200 cm<sup>2</sup> (B x H: 500 mm x 40 mm) im unteren hinteren Bereich der Rückwand aufweisen.

### Lufteinlass

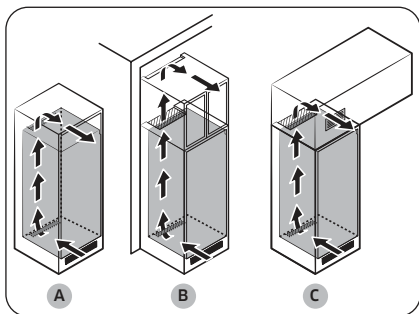


|   |                     |
|---|---------------------|
| 1 | 200 cm <sup>2</sup> |
|---|---------------------|

Der Lufteinlass muss je nach Art des Schrankes so wie in einem der folgenden Beispiele oder in einer ähnlichen Position angeordnet werden.

- A. Eine Lüftungsöffnung ist im Schrank enthalten.
- B. Ein Schrank mit Füßen.

### Luftauslass



Der Luftauslass muss je nach Art des Schrankes so wie in einem der folgenden Beispiele oder in einer ähnlichen Position angeordnet werden.

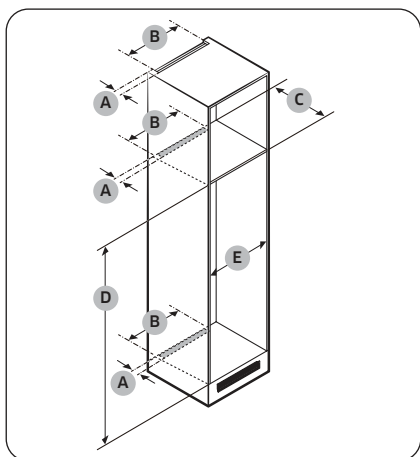
- A. Unmittelbar über der Kühl-/Gefrierkombination, optional mit Lüftungsgitter
- B. Nahe am Oberboden des Schrankes
- C. Über der Kühl-/Gefrierkombination, mit einer separat eingebauten Öffnung

### **⚠ VORSICHT**

Unabhängig von der Schrankkonstruktion darf das Belüftungssystem durch keinerlei Art von Installation versperrt werden.



## Maße des Schrankes



### ⚠ VORSICHT

Wenn der Schrank eine Tür hat, achten Sie darauf, dass die Tür nicht schwer ist, da sie ansonsten kippen oder abfallen könnte.

| Schranktür         | Dicke (mm)         | Gewicht (kg) |
|--------------------|--------------------|--------------|
| Vor dem Kühlabteil | Min. 16<br>Max. 19 | Max. 18      |
| Am Gefrierabteil   |                    | Max. 12      |

Die im Folgenden aufgeführten Gerätestörungen werden nicht durch die Garantie abgedeckt.

1. Ungeeignete Standortbedingungen und falsche Schrankgrößen
2. Defekte Schränke
3. Fehler seitens des Installateurs oder des Anwenders

## Abstand

Informationen zum Platzbedarf für die Aufstellung erhalten Sie in den folgenden Bildern und Tabellen.

| Modell                                     |           | A (mm) | B (mm) | C (mm) | D (mm) | E (mm) | Anmerkung        |
|--|-----------|--------|--------|--------|--------|--------|------------------|
| BRB***26**S0<br>SCHIEBEAUSFÜHRUNG          | Min.      | 40     | 500    | 560    | 1778   | 560    |                  |
|  | Empfehlen |        |        | 580    | 1780   | 562    |                  |
|  | Max.      |        |        | -      | 1782   | 568    |                  |
| BRB***26**F0<br>FESTSTEHENDE<br>AUSFÜHRUNG | Min.      | 40     | 500    | 560    | 1778   | 555    | Scharnier: 17 mm |
|  | Empfehlen |        |        | 580    | 1780   | 562    |                  |
|  | Max.      |        |        | -      | 1782   | 568    |                  |
| BRB***30**S0<br>SCHIEBEAUSFÜHRUNG          | Min.      | 40     | 500    | 560    | 1938   | 560    |                  |
|  | Empfehlen |        |        | 580    | 1940   | 562    |                  |
|  | Max.      |        |        | -      | 1942   | 568    |                  |
| BRB***30**F0<br>FESTSTEHENDE<br>AUSFÜHRUNG | Min.      | 40     | 500    | 560    | 1938   | 555    | Scharnier: 17 mm |
|  | Empfehlen |        |        | 580    | 1940   | 562    |                  |
|  | Max.      |        |        | -      | 1942   | 568    |                  |

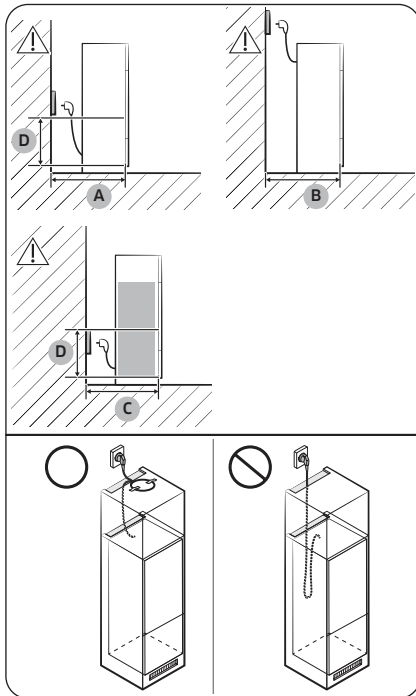
### 📖 HINWEIS

- Wenn ein Schrank breiter als 568 mm ist, kann sich die Dichtung (zwischen Kühl-/ Gefrierkombinationen und Schrank) lösen.

# Aufstellung

- Wenn der Schrank höher als das maximale Maß (1782 mm) ist, müssen Sie andere Materialien verwenden, um die Lücke zu füllen.

Berücksichtigung der Position der Steckdose und des Platzbedarfs



|   |          |
|---|----------|
| A | Min. 590 |
| B | Min. 560 |
| C | Min. 580 |
| D | 240      |

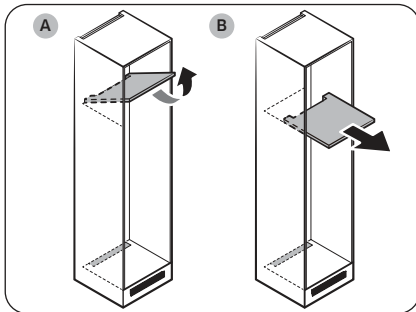
(Einheit: mm)

## HINWEIS

Wenn Sie die Kühl-/Gefrierkombination in einem Schrank mit einer Tiefe von 560 mm aufstellen, achten Sie darauf, dass das Netzkabel seitlich der Kühl-/Gefrierkombination liegt, bevor Sie es in eine Steckdose stecken. Wenn das Netzkabel entlang der Rückseite der Kühl-/Gefrierkombination liegt, könnte es die Energieeffizienz verringern.

## Schrankschranktyp

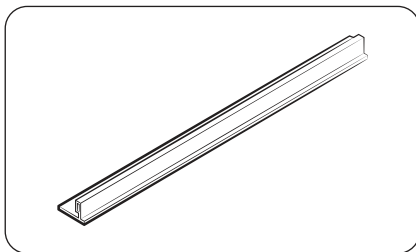
Es empfiehlt sich, einen der folgenden Schranktypen zu verwenden:



### HINWEIS

Wenn Sie einen dieser Schranktypen verwenden, brauchen Sie für die Wartung eines defekten Haupt-PBAs die Haupteinheit nicht aus dem Schrank herauszunehmen. Wenn Sie einen anderen Schranktyp verwenden, müssen Sie für die Wartung die Haupteinheit aus dem Schrank herausnehmen.

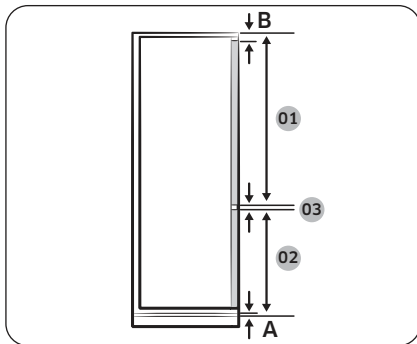
- A. Klappausführung
- B. Schiebeausführung



### HINWEIS

- Wird ein Schrank einer nicht empfohlenen Größe verwendet, kann die Dichtung zwischen der Kühl-/Gefrierkombination und dem Schrank lose sein, nachdem die Kühl-/Gefrierkombination in den Schrank geschoben wurde.

# Aufstellung



## HINWEIS

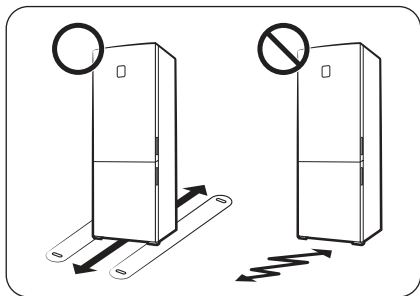
Wenn Sie einen Schrank mit einem Abstand von 3 mm (03) installieren müssen, schlagen Sie in der nachstehenden Schrankübersicht nach.

| Modell | BRB***26**SO<br>SCHIEBEAUSFÜHRUNG               | BRB***26**FO<br>FESTSTEHENDE<br>AUSFÜHRUNG |
|--------|---|--|
| 01     | Min. 1041+B<br>Max. 1102+B                      | Min. 1063+B<br>Max. 1076+B                 |
| 02     | Min. 670+A<br>Max. 731+A                        | Min. 696+A<br>Max. 709+A                   |
| 03     | 3 mm<br>(Türspalt des Kühl- und Gefrierabteils) |  |

| Modell | BRB***30**SO<br>SCHIEBEAUSFÜHRUNG               | BRB***30**FO<br>FESTSTEHENDE<br>AUSFÜHRUNG |
|--------|---|--|
| 01     | Min. 1204+B<br>Max. 1262+B                      | Min. 1223+B<br>Max. 1236+B                 |
| 02     | Min. 670+A<br>Max. 731+A                        | Min. 696+A<br>Max. 709+A                   |
| 03     | 3 mm<br>(Türspalt des Kühl- und Gefrierabteils) |  |

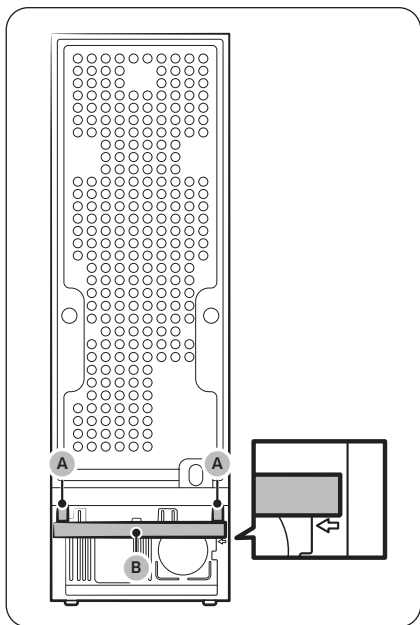
- A. Unterkante der Frontplatte über der Belüftung
- B. Überstand der Frontplatte

## SCHRITT 2 Bodenbelag



- Der Boden, auf dem die Kühl-/Gefrierkombination aufgestellt wird, muss das Gewicht des voll beladenen Geräts tragen können.
- Um den Boden zu schützen, legen Sie ein großes Stück Pappe unter jeden Fuß der Kühl-/Gefrierkombination.
- Sobald sich die Kühl-/Gefrierkombination in seiner endgültigen Position befindet, sollten Sie ihn zum Schutz des Untergrundes nur noch bewegen, wenn dies erforderlich ist. Wenn Sie ihn verschieben müssen, stellen Sie ihn auf eine dicke Pappe oder einen alten Teppich und ziehen Sie ihn damit an die gewünschte Stelle.

## SCHRITT 3 Abstand (nur bestimmte Modelle)



Um eine optimale Energieeffizienz zu erreichen, müssen Sie die mitgelieferten **Abstandshalter (A)** und den **Schwamm (B)** wie in der Abbildung gezeigt anbringen.

### ⚠ VORSICHT

Wenn die Kühl-/Gefrierkombination nicht bündig mit dem Schrank abschließt, können Sie die Abstandshalter so zuschneiden, dass dies der Fall ist, aber die optimale Energieeffizienz kann dabei nicht garantiert werden.

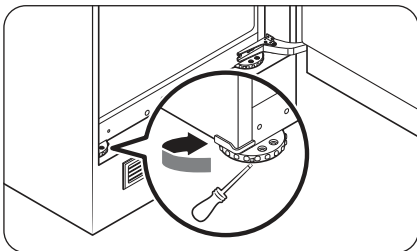
# Aufstellung

## SCHRITT 4 Einstellen der Nivellierfüße

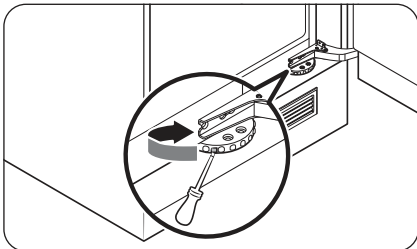
### ⚠ VORSICHT

- Die Kühl-/Gefrierkombination muss auf ebenem, festem Untergrund stehen. Anderenfalls kann es zu Schäden an der Kühl-/Gefrierkombination oder zu Verletzungen kommen.
- Führen Sie die Nivellierung mit der leeren Kühl-/Gefrierkombination durch. Achten Sie darauf, dass keine Lebensmittel in der Kühl-/Gefrierkombination bleiben.

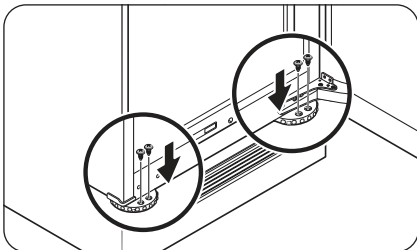
Das Nivellieren der Kühl-/Gefrierkombination kann mit Hilfe der hinteren Standfüße erfolgen. Diese verfügen zu diesem Zweck über eine Spezialschraube (Nivellierschraube). Verwenden Sie zum Nivellieren einen Schlitzschraubendreher.



**So stellen Sie die Höhe auf der linken Seite ein:**  
Setzen Sie an der Nivellierschraube am vorderen linken Standfuß einen Schlitzschraubendreher an. Drehen Sie die Nivellierschraube im Uhrzeigersinn, um das Gerät anzuheben, und gegen den Uhrzeigersinn, um es abzusenken.

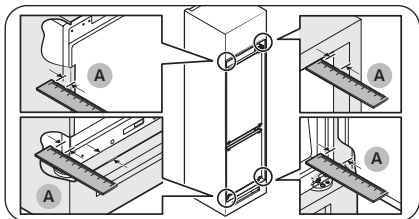


**So stellen Sie die Höhe auf der rechten Seite ein:**  
Setzen Sie an der Nivellierschraube am vorderen rechten Standfuß einen Schlitzschraubendreher an. Drehen Sie die Nivellierschraube im Uhrzeigersinn, um das Gerät anzuheben, und gegen den Uhrzeigersinn, um es abzusenken.



### 📖 HINWEIS

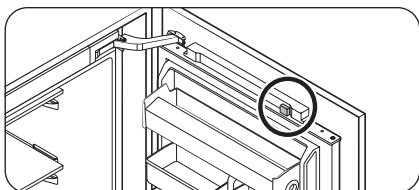
Achten Sie darauf, dass ein Abstand von 41 mm (A: sowohl für Gleitscharniere als auch für Festscharniere) zwischen der Kühl-/Gefrierkombination und den Wänden des Schrankes bzw. der Nische eingehalten wird. Befestigen Sie dann mithilfe der Schrauben die vorderen Füße.



### SCHRITT 5 Ersteinstellungen

Nachdem Sie die folgenden Schritte ausgeführt haben, sollte die Kühl-/Gefrierkombination vollständig einsatzfähig sein.

1. Entfernen Sie von jeder Fachecke die PE-Schaumfolie, die die Kühl-/Gefrierkombination während des Transports schützt.
2. Öffnen Sie die Tür und prüfen Sie, ob die Innenbeleuchtung angeht.



3. Entfernen Sie die PE-Schaumfolie von dem Magneten oben an der Tür.

4. Stellen Sie die niedrigste Temperatur ein und warten Sie etwa eine Stunde. Das Gefrierabteil ist nun leicht gekühlt und der Motor läuft störungsfrei.
5. Warten Sie, bis die Kühl-/Gefrierkombination die eingestellte Temperatur erreicht hat. Jetzt ist die Kühl-/Gefrierkombination einsatzbereit.

#### HINWEIS

Wenn die Kühl-/Gefrierkombination angeschaltet wird, ertönt ein Alarmsignal. Um den Alarm zu deaktivieren, drücken Sie die Tasten **Freezer (Gefrierabteil)** oder **Fridge (Kühlabteil)** erneut.

# Aufstellung

---

## SCHRITT 6 Temperaturalarm (nur bestimmte Modelle)

---

### Typ 1

- In der Temperaturanzeige der Kühl-/Gefrierkombination blinkt „-“ und es wird ein Alarm erzeugt, wenn der Gefrierraum zu warm ist. Das kann passieren, wenn das Gefrierabteil nach einem Stromausfall zu warm wird.
- Drücken Sie in diesem Fall auf **Freezer (Gefrierabteil)** oder **Fridge (Kühlabteil)**. Die jeweils höhere Temperatur wird 5 Sekunden lang angezeigt. Danach wird die gemessene Ist-Temperatur angezeigt. Um den Alarm zu deaktivieren, drücken Sie auf **Door Alarm (Türalarm)**.

### Typ 2

- Die Temperaturanzeige der Kühl-/Gefrierkombination blinkt und es wird ein Alarm erzeugt, wenn der Gefrierraum zu warm ist. Das kann passieren, wenn das Gefrierabteil nach einem Stromausfall zu warm wird. Um den Alarm zu deaktivieren, drücken Sie die Tasten **Freezer (Gefrierabteil)** oder **Fridge (Kühlabteil)** erneut.

## SCHRITT 7 Letzte Kontrolle

---

Bestätigen Sie nach Abschluss der Aufstellung, dass:

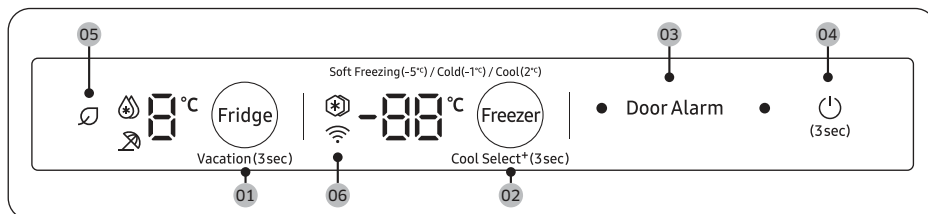
- die Kühl-/Gefrierkombination an eine Steckdose angeschlossen und ordnungsgemäß geerdet ist.
- die Kühl-/Gefrierkombination in ausreichendem Abstand von der Wand oder dem Schrank und auf einer flachen, ebenen Fläche aufgestellt ist.
- Die steht Kühl-/Gefrierkombination waagrecht und sicher im Einbauschränk.
- die Tür frei öffnet und schließt, und dass die Innenbeleuchtung sich automatisch einschaltet, wenn Sie die Tür öffnen.



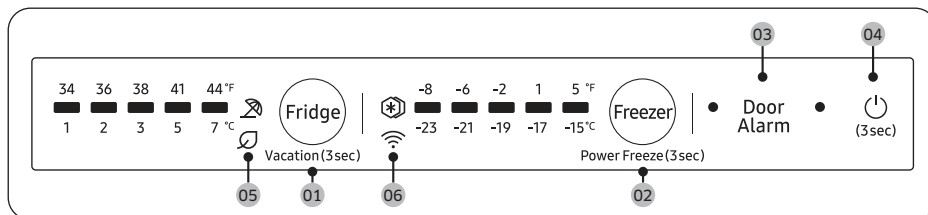
# Bedienung

## Bedienfeld

### TYP 1



### TYP 2



01 Fridge (Kühlabteil) / Vacation (Abwesenheit)

02 Freezer (Gefrierabteil) /  
Power Freeze (Turbokälte) / Cool Select+ \*

03 Door Alarm (Türalarm)

04 ⏻ (Ein/Aus)

05 AI Energy Mode

06 Netzwerkverbindung

\* Nur bestimmte Modelle

### HINWEIS





Die LED-Anzeigen werden alle zugleich eingeschaltet, wenn die Tür geöffnet wird, und zugleich ausgeschaltet, wenn sie geschlossen wird.

# Bedienung

## 01 Kühlabteil / Abwesenheit (3 Sek.)

|                        |   |
|------------------------|---|
| Fridge (Kühlabteil)    | <p>Um die Kühlabteilstemperatur einzustellen, drücken Sie auf <b>Fridge (Kühlabteil)</b> und wählen Sie die entsprechende Temperatur.<br/>Sie können eine Temperatur zwischen 1 °C und 7 °C einstellen. (Standardwert: 3 °C).</p> <p><b>Turbokühlung (Typ 1)</b><br/>Power Cool (Turbokühlung) beschleunigt das Abkühlen bei maximaler Lüfterdrehzahl. Das Kühlabteil läuft zweieinhalb Stunden lang mit voller Leistung weiter. Danach wird das Gerät wieder mit der vorher eingestellten Temperatur betrieben.</p> <ul style="list-style-type: none"><li>• Um Power Cool (Turbokühlung) zu aktivieren, stellen Sie die Temperatur auf 1 °C ein, und drücken Sie dann <b>Fridge (Kühlabteil)</b>, um Power Cool (Turbokühlung) zu aktivieren. Die entsprechende Anzeige (🔥) leuchtet auf, und die Kühl-/Gefrierkombination beschleunigt das Abkühlen für Sie.</li><li>• Um den Modus Power Cool (Turbokühlung) zu deaktivieren, drücken Sie erneut auf <b>Fridge (Kühlabteil)</b>. Dann wird die Temperatur des Kühlabteils wieder auf 7 °C zurückgesetzt.</li></ul> <p><b>HINWEIS</b><br/>Power Cool (Turbokühlung) erhöht den Stromverbrauch. Wenn Sie die Funktion nicht benötigen, dürfen Sie nicht vergessen, sie zu deaktivieren und wieder die vorherige Temperatur einzustellen.</p> |
| Vacation (Abwesenheit) | <ul style="list-style-type: none"><li>• Verwenden Sie die Funktion Vacation (Abwesenheit), wenn Sie in Urlaub fahren, auf Geschäftsreise sind oder das Kühlabteil für längere Zeit nicht benötigen. Die Temperatur des Kühlabteils unter 17 °C gehalten, aber das Gefrierabteil bleibt mit der vorherigen Einstellung eingeschaltet.</li><li>• Zum Aktivieren bzw. Deaktivieren des Modus Vacation (Abwesenheit) halten Sie die Taste <b>Fridge (Kühlabteil)</b> 3 Sekunden lang gedrückt.</li></ul> <p><b>HINWEIS</b></p> <ul style="list-style-type: none"><li>• Stellen Sie sicher, dass Sie alle Lebensmittel aus dem Kühlabteil entfernt haben, bevor Sie den Abwesenheitsmodus verwenden.</li><li>• Der Modus Vacation (Abwesenheit) wird automatisch deaktiviert, sobald Sie eine andere Kühlabteilstemperatur einstellen.</li></ul>   |

## 02 Gefrierabteil / Turbokälte (3 Sek.) / Cool Select+ (3 Sek.)

|                              |   |
|------------------------------|---|
| Freezer<br>(Gefrierabteil)   | <p>Die Taste <b>Freezer (Gefrierabteil)</b> kann verwendet werden, um die Gefrieratemperatur einzustellen.<br/>Es können Temperaturen zwischen -15 °C und -23 °C eingestellt werden.<br/>(Standardwert: -19 °C).</p> <p> <b>HINWEIS</b><br/>Im Modus Cool Select+ können Sie die Temperatur nicht ändern.</p>  |
| Power Freeze<br>(Turbokälte) | <p>Bei Power Freeze (Turbokälte) wird mit maximaler Lüfterdrehzahl gearbeitet, um das Einfrieren zu beschleunigen. Das Gefrierabteil läuft 50 Stunden lang mit voller Leistung. Danach wird das Gerät wieder mit der vorher eingestellten Temperatur betrieben. Um große Mengen an Lebensmitteln einzufrieren, aktivieren Sie Power Freeze (Turbokälte) mindestens 20 Stunden, bevor Sie die Lebensmittel in das Gefrierabteil stellen.</p> <p><b>Typ 1</b></p> <ul style="list-style-type: none"><li>• Um Power Freeze (Turbokälte) zu aktivieren, stellen Sie die Temperatur auf -23 °C ein, und drücken Sie dann <b>Freezer (Gefrierabteil)</b>, um Power Freeze (Turbokälte) zu aktivieren.<br/>Die entsprechende Anzeige  leuchtet auf, und der Kühlschrank beschleunigt das Einfrieren.</li><li>• Wenn der Prozess Power Freeze (Turbokälte) abgeschlossen ist, wird die entsprechende Anzeige ausgeschaltet und das Gefrierabteil läuft mit der zuvor eingestellten Temperatur weiter.</li><li>• Um den Modus Power Freeze (Turbokälte) zu deaktivieren, drücken Sie erneut auf <b>Freezer (Gefrierabteil)</b>.<br/>Das Gefrierabteil wechselt wieder zur vorherigen Temperatureinstellung.</li></ul> <p><b>Typ 2</b></p> <ul style="list-style-type: none"><li>• Zum Aktivieren von Power Freeze (Turbokälte) halten Sie die Taste <b>Freezer (Gefrierabteil)</b> 3 Sekunden lang gedrückt, um Power Freeze (Turbokälte) zu aktivieren.<br/>Die entsprechende Anzeige  leuchtet auf, und der Kühlschrank beschleunigt das Einfrieren.</li><li>• Zum Deaktivieren von Power Freeze (Turbokälte) halten Sie die Taste <b>Freezer (Gefrierabteil)</b> 3 Sekunden lang gedrückt.<br/>Das Gefrierabteil wechselt wieder zurück zur vorherigen Temperatureinstellung und die Anzeige erlischt.</li></ul> <p> <b>HINWEIS</b><br/>Power Freeze (Turbokälte) erhöht den Stromverbrauch. Wenn Sie die Funktion nicht mehr benötigen, dürfen Sie nicht vergessen, sie zu deaktivieren und wieder die vorherige Temperatur einzustellen.</p> |

# Bedienung

|                         |  |
|-------------------------|--|
| Cool Select+<br>(Typ 1) | <p>Wenn Sie <b>Cool Select+</b> 3 Sekunden lang gedrückt halten, wechselt die Betriebsart in dieser Reihenfolge:<br/>Freeze (Tiefkühlen) → Soft Freezing (Einfrieren) (-5 °C) → Cold (Kalt) (-1 °C) → Cool (Kühl) (2 °C)</p> <p><b>⚠ VORSICHT</b></p> <ul style="list-style-type: none"><li>• Wenn Sie die Betriebsart von Freezer (Gefrierabteil) zu Cool Select+ umschalten, kann Saft oder Flüssigkeit aus Lebensmitteln im Gerät austreten.</li><li>• Bewahren Sie Fleisch- oder Fischprodukte nicht für längere Zeit im Modus Cool Select+ auf. Die Lebensmittel frieren möglicherweise ein oder verderben, weil die Temperatureinstellungen für die gelagerten Lebensmittel nicht geeignet sind.</li><li>• Wenn sich die Kühl-/Gefrierkombination nach einer längeren Zeit ohne Aktivität wieder einschaltet, werden die Cool Select+-Einstellungen möglicherweise wieder auf die Werkseinstellungen zurückgesetzt. Überprüfen Sie die Cool Select+-Einstellungen, ehe Sie die Kühl-/Gefrierkombination verwenden.</li></ul> |
|-------------------------|--|

## 03 Türalarm

|                          |   |
|--------------------------|---|
| Door Alarm<br>(Türalarm) | <p>Sie können zur Erinnerung einen Alarm einstellen. Wenn Sie die Tür mehr als 2 Minuten lang offen lassen, ertönt ein Alarmsignal und die Alarmanzeige blinkt. Sie können zwischen aktiviertem und deaktiviertem Alarm umschalten, indem Sie die Taste <b>Door Alarm (Türalarm)</b> drücken.</p> |
|--------------------------|---|

## 04 (Ein/Aus)

Halten Sie die Taste  3 Sekunden lang gedrückt, um die Kühl-/Gefrierkombination einzuschalten.

Wenn Sie die Taste  3 Sekunden lang gedrückt halten, wird die Kühl-/Gefrierkombination zusammen mit den Leuchten im Gerät ausgeschaltet.

## 05 AI Energy Mode (nur bestimmte Modelle)

Das Symbol  erscheint, wenn der AI Energy Mode in Betrieb ist. Sie können den AI Energy Mode in der SmartThings-App ein- oder ausschalten. (nur bestimmte Modelle)

## 06 Netzwerkanschluss (nur bestimmte Modelle)

Sie können Ihre Kühl-/Gefrierkombination über die SmartThings-App steuern und überwachen. Weitere Informationen finden Sie im Abschnitt **SmartThings (nur bestimmte Modelle)**.

## HINWEIS

Wenn die Kühl-/Gefrierkombination nicht mit der SmartThings-App verbunden ist, blinkt das WLAN-Symbol () , um zu warnen. Wenn Sie das blinkende WLAN-Symbol () erkennen, empfehlen wir, dass Sie Ihre Kühl-/Gefrierkombination mit der SmartThings-App verbinden.

## Aktivieren bzw. Deaktivieren des WLAN (nur bestimmte Modelle)

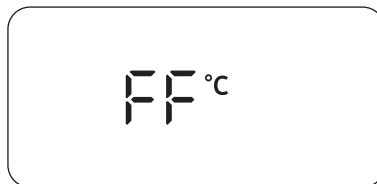
### Typ 1

Halten Sie Ihren Finger 10 Sekunden lang auf **Fridge (Kühlabteil)**, um das WLAN-Netzwerk zu aktivieren bzw. zu deaktivieren. Im Display wird 5 Sekunden lang der Wi-Fi-Status angezeigt (wie in der Abbildung dargestellt).

WLAN Ein



WLAN Aus



### Typ 2

Halten Sie Ihren Finger 10 Sekunden lang auf **Fridge (Kühlabteil)**, um das WLAN zu aktivieren bzw. zu deaktivieren. Das WLAN-Symbol (📶) zeigt den Status des WLANs wie unten dargestellt an.

- WLAN aus: Das WLAN-Symbol (📶) blinkt 5 Sekunden lang und schaltet sich dann aus.
- WLAN ein: Das WLAN-Symbol (📶) blinkt 5 Sekunden lang und schaltet sich dann 5 Sekunden lang ein.

#### HINWEIS

- Wenn Sie das Wi-Fi-Netzwerk so einrichten, dass die Kühl-/Gefrierkombination mit der SmartThings-App verbunden wird, wird sich die Funktion „Wi-Fi Ein/Aus“ aktiviert.
- Weitere Informationen finden Sie im Abschnitt **SmartThings (nur bestimmte Modelle)**.

# Bedienung

## SmartThings (nur bestimmte Modelle)

### Aufstellung

Besuchen Sie Google Play Store, Galaxy Apps oder Apple App Store und suchen Sie nach „SmartThings“. Laden Sie die von Samsung Electronics zur Verfügung gestellte SmartThings-App herunter und installieren Sie diese auf Ihrem Smart-Gerät.

### HINWEIS

- Welche Softwareversion die SmartThings-App unterstützt, hängt von den Richtlinien des Herstellers zur Unterstützung von Betriebssystemen ab. Im Hinblick auf die SmartThings-App und die von der App unterstützten Funktionen kann die neue Update-Richtlinie für die jeweilige Betriebssystemversion aus Gründen der Benutzerfreundlichkeit oder der Sicherheit ausgesetzt werden.
- Jederzeitige unangekündigte Änderungen der SmartThings-App zur Verbesserung der Benutzerfreundlichkeit oder der Leistung sind vorbehalten. Da die Betriebssystemversion des Mobilgeräts jedes Jahr aktualisiert wird, wird auch SmartThings laufend an das neueste Betriebssystem angepasst. Kontaktieren Sie uns bitte unter [st.service@samsung.com](mailto:st.service@samsung.com), falls Sie Fragen zu den oben genannten Themen haben.
- Empfohlene Verschlüsselungssysteme sind unter anderem WPA/TKIP und WPA2/AES. Neuere oder nicht genormte WLAN-Authentifizierungsprotokolle werden nicht unterstützt.
- Drahtlose Netzwerke können durch die sie umgebende drahtlose Kommunikationsumgebung beeinflusst werden.
- Wenn Ihr Internetdienstanbieter die MAC-Adresse Ihres PCs oder Modems zur Identifikation gespeichert hat, kann sich Ihre Samsung Smart-Kühl-/Gefrierkombination möglicherweise nicht mit dem Internet verbinden. Wenn dies der Fall ist, wenden Sie sich für technische Unterstützung an Ihren Internetdienstanbieter.
- Die Firewall-Einstellungen Ihres Netzwerks können den Zugriff Ihrer Samsung Smart-Kühl-/Gefrierkombination auf das Internet verhindern. Wenden Sie sich für technische Unterstützung an Ihren Internetdienstanbieter. Wenn sich dieses Symptom weiterhin zeigt, wenden Sie sich an das nächste Samsung-Kundendienstzentrum oder an einen Samsung-Händler.
- Informationen zur Konfiguration der Zugangspunkteinstellungen finden Sie im Benutzerhandbuch unter Zugangspunkte (Router).
- Samsung Smart-Kühl-/Gefrierkombinationen unterstützen WLAN 2,4 GHz mit IEEE 802.11 b/g/n sowie Soft-AP-Protokolle. (IEEE 802.11 n wird empfohlen.)
- Nicht zugelassene WLAN-Router können sich möglicherweise nicht mit den jeweiligen Samsung Smart Kühl-/Gefrierkombinationen verbinden.

## Samsung-Konto

Für die Nutzung der App müssen Sie ein Samsung-Konto einrichten. Wenn Sie kein Samsung-Konto haben, befolgen Sie die Anweisungen der App zur Erstellung eines kostenlosen Samsung-Kontos.

## Erste Schritte

Schalten Sie das Gerät, mit dem Sie sich verbinden möchten, ein, öffnen Sie die SmartThings-App auf Ihrem Telefon und befolgen Sie anschließend die nachstehenden Anweisungen.

Wenn ein Popup mit der Nachricht eingeblendet wird, dass ein neues Gerät gefunden wurde, tippen Sie auf **ADD NOW (JETZT HINZUFÜGEN)**.

Wenn kein Popup angezeigt wird, tippen Sie auf die Taste + und wählen Sie das Gerät, mit dem Sie sich verbinden möchten, aus der Liste der verfügbaren Geräte aus.

Ist Ihr Gerät nicht in der Liste der verfügbaren Geräte aufgeführt, tippen Sie auf **Supported Devices (Unterstützte Geräte)**, wählen Sie den Gerätetyp (Kühl-/Gefrierkombination) und anschließend das genaue Modell der Kühl-/Gefrierkombination aus.

Befolgen Sie die Anweisungen in der App, um Ihr Gerät einzurichten. Sobald die Einrichtung abgeschlossen ist, erscheint Ihre Kühl-/Gefrierkombination als „Karte“ auf Ihrem Bildschirm **Devices (Geräte)**.

## Integrierte Steuerung


Sie können Ihre Kühl-/Gefrierkombination zu Hause und unterwegs überwachen und bedienen.

- Tippen Sie zuerst auf das Symbol der Kühl-/Gefrierkombination auf dem SmartThings-Dashboard oder auf das Geräte-Symbol am unteren Rand des Dashboards und dann auf die Karte „Kühl-/Gefrierkombination“, um die Seite für die Kühl-/Gefrierkombination zu öffnen.
- Prüfen Sie den Betriebsstatus oder etwaige Benachrichtigungen, die mit Ihrer Kühl-/Gefrierkombination zu tun haben und ändern Sie gegebenenfalls die Optionen oder Einstellungen.

## HINWEIS

Einige Optionen und Einstellungen der Kühl-/Gefrierkombination stehen über die Fernbedienung nicht zur Verfügung.

# Bedienung

| Kategorie                              | Element   | Beschreibung  |
|--|---|---|
| Überwachung                            | Temperatur im Kühlabteil  | Zeigt die aktuelle Temperatureinstellung für das Kühlabteil an.                                       |
|  | Temperatur im Gefrierabteil   | Zeigt die aktuelle Solltemperatur des Gefrierabteils an.  |
| Funktionen                             | Turbokühlung (nur bestimmte Modelle)  | Sie können die Funktion Turbokühlung ein- und ausschalten und die aktuellen Einstellungen überprüfen. |
|  | Turbokälte  | Sie können die Funktion Turbokälte ein- und ausschalten und die aktuellen Einstellungen überprüfen.   |
|  | Temperatur im Kühlabteil  | Sie können die gewünschte Temperatur der Kühl-/Gerierkombination einstellen.                          |
|  | Temperatur im Gefrierabteil   | Sie können die aktuelle Solltemperatur im Gefrierabteil einstellen.                                   |
| Alarme                                 | Zu hohe Temperatur  | Dieser Alarm wird ausgelöst, wenn das Kühl- oder Gefrierabteil eine zu hohe Temperatur aufweist.      |
|  | Türöffnung  | Dieser Alarm wird ausgelöst, wenn die Tür mehr als 2 Minuten lang offensteht.                         |
| AI Energy Mode (nur bestimmte Modelle) | <p>Sie können den AI Energy Mode unter dem Menüpunkt Energy in der SmartThings App ein- oder ausschalten.</p> <p>Sie können den Status des AI Energy Mode in der SmartThings-App kontrollieren.</p> <p>Bei einigen Modellen erscheint das Symbol  auf dem Bedienfeld, um anzuzeigen, dass der AI Energy Mode in Betrieb ist. (nur bestimmte Modelle)</p> <p>Durch Aktivieren des AI Energy Mode verringern Sie zwar den Energieverbrauch, zugleich kann aber auch die Kühlleistung zurückgehen.</p> |   |

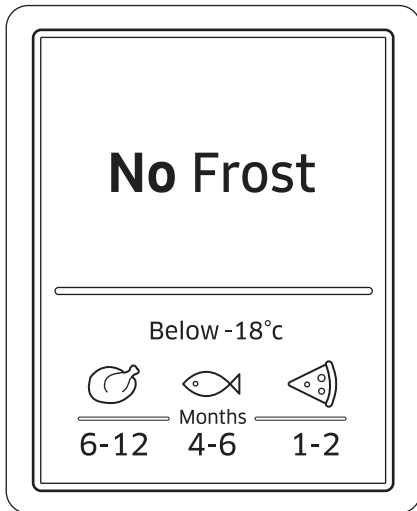
## Informationen zu Sicherheitsaktualisierungen

Sicherheitsaktualisierungen werden bereitgestellt, um die Sicherheit Ihres Geräts zu erhöhen und Ihre personenbezogenen Daten zu schützen. Weitere Informationen zu Sicherheitsaktualisierungen finden Sie unter <https://security.samsungda.com>.

\* Die Website unterstützt nur einige Sprachen.



## Lagerungshinweise



Die Zahlen im unteren Teil dieser Abbildung geben die Lagerzeit für die gleich darüber angezeigten Lebensmittel an. Beispiel: 4 bis 6 Monate für Fischprodukte.

### Einfrieren von Lebensmitteln

1. Packen Sie die Lebensmittel mit geeigneten Verpackungsmaterialien luftdicht ein.
2. Verschließen Sie die Verpackung.
3. Beschriften Sie die Verpackung mit Angaben über Inhalt und Datum.

### Verpackungsmaterialien

- Geeignete Materialien für die Verpackung von Lebensmitteln sind Kunststoffolie, Beutel aus Polyethylen-Blasfolie, Alufolie und Gefrierdosen.
- Ungeeignete Materialien für die Verpackung von Lebensmitteln sind Packpapier, Pergamentpapier, Cellophan, Müllsäcke und gebrauchte Einkaufstüten.

### Verschlussmaterialien

Gummibänder, Kunststoffclips, Schnur, kältebeständiges Klebeband oder ähnliches. Gefrierbeutel und Polyethylen-Blasfolie können mit einem Folienschweißgerät verschlossen werden.

# Bedienung

---

## Lagerzeiten für eingefrorene Lebensmittel

Die Lagerzeiten unterscheiden sich je nach Lebensmitteltyp und Lagertemperatur. Die folgende Auflistung basiert auf einer Temperatur von -18 °C (0 °F):

- Frisches Geflügel (ganze Hühnchen), Frischfleisch (Steaks, Braten): bis zu 12 Monate
- Fisch (magere Fischarten, gekochter Fisch), frische Garnelen, Jakobsmuscheln, Tintenfisch: bis zu 6 Monate
- Pizza, Wurstprodukte: bis zu 2 Monate

### HINWEIS

Weitere Informationen finden Sie auf der Website der FDA (<http://www.fda.gov/>).

## Auftauen

Gefriergut kann folgendermaßen aufgetaut werden:

- Auf natürlichem Wege bei Zimmertemperatur
- Auf natürlichem Wege im Kühlabteil
- Im Backofen mit oder ohne Wärmeunterstützung
- In einem Mikrowellengerät

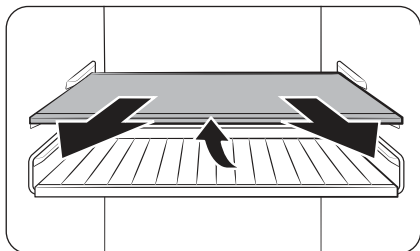
### HINWEIS

- Frieren Sie aufgetaute Lebensmittel nicht wieder ein. Einige Teile des Lebensmittels gefrieren möglicherweise nicht vollständig.
- Bewahren Sie Gefriergut niemals über die maximale Lagerzeit hinaus auf.

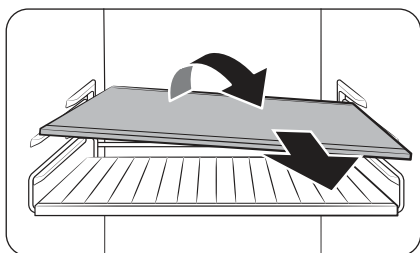
# Wartung und Pflege

## Handhabung und Pflege

### Fachböden (Kühlabteil/Gefrierabteil)/Weinregal (nur bestimmte Modelle)



1. Ziehen Sie den Fachboden (oder das Weinregal) ein wenig heraus. Heben Sie ihn dann auf der Rückseite an und ziehen in ganz heraus.

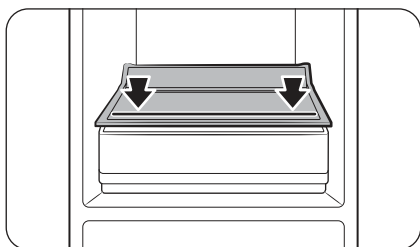


2. Kippen Sie den Fachboden (bzw. das Weinregal) zum Herausnehmen diagonal an.

#### ⚠ VORSICHT

- Das Regal muss richtig herum eingesetzt werden. Achten sie darauf, dass die Unterseite nicht nach oben zeigt.
- Glasbehälter können zu Kratzern auf der Oberfläche von Glasböden führen.
- Setzen Sie an der Position des Weinregals keinen Fachboden ein. Andernfalls könnten Sie das Gerät beschädigen. (nur bestimmte Modelle)

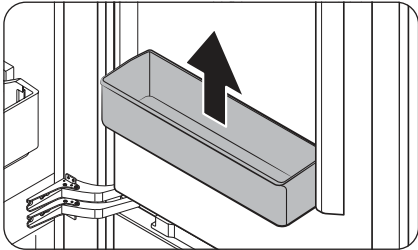
### Gemüseablage (nur bestimmte Modelle)



- Wenn Ihr Modell nur über ein Schubfach verfügt, ist auf der Gemüseablage direkt über der Schublade eine Linie aufgedruckt. Wenn Sie Lebensmittel auf der Gemüseablage aufbewahren, müssen Sie darauf achten, dass Sie sie innerhalb der aufgedruckten Zeile liegen.

# Wartung und Pflege

## Türfach im Kühlabteil/Verschiedene Türfächer

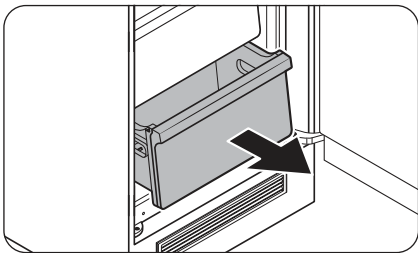


Fassen Sie das Türfach mit beiden Händen und ziehen Sie es dann nach oben heraus.

**⚠ VORSICHT**

Um Unfälle zu vermeiden, leeren Sie vor dem Ausbauen die Türfächer.

## Schubfach im Kühlabteil / Schubfach im Gefrierabteil



Heben Sie das Schubfach vorn leicht an und ziehen Sie es heraus.

---

## Reinigung

---

### Innen und außen

#### **WARNUNG**

- Verwenden Sie Benzin, Verdünnern, Essig, flüssige Bleichmittel, Backpulver, Zitronensäure, Salzmischungen oder Haushalts-/Autoreiniger wie Clorox™ nicht zu Reinigungszwecken. Andernfalls können Schäden an der Oberfläche des Geräts oder ein Brand die Folge sein.
- Sprühen Sie kein Wasser auf die Kühl-/Gefrierkombination. Andernfalls besteht die Gefahr von Stromschlägen.

Entfernen Sie eventuelle Fremdkörper (z. B. Staub oder Wasser) in regelmäßigen Abständen mit einem trockenen Tuch vom Netzstecker und von den Kontakten.

1. Ziehen Sie das Netzkabel aus der Steckdose.
2. Verwenden Sie ein angefeuchtetes, weiches, fusselfreies Tuch oder ein Papiertuch, um die Innen- und Außenflächen der Kühl-/Gefrierkombination zu reinigen.
3. Wenn Sie fertig sind, verwenden Sie ein trockenes Tuch oder ein Papiertuch, um das Gerät gründlich zu trocknen.
4. Verbinden Sie das Netzkabel mit der Steckdose.

---

## Ersetzen von Teilen

---

### LED-Lampen

Um Leuchten auszutauschen, wenden Sie sich an das nächstgelegene Samsung-Kundendienstzentrum.

#### **WARNUNG**

- Die Leuchten können nicht vom Benutzer gewartet werden. Versuchen Sie nicht, eine Lampe selbst auszutauschen. Es besteht Stromschlaggefahr.

### Leuchte (Lichtquelle)

Dieses Produkt enthält eine Lichtquelle der Energieeffizienzklasse <G>.

Die Leuchte(n) und/oder das/die Vorschaltgerät(e) dürfen vom Benutzer nicht gewartet werden. Um die Leuchten und/oder Vorschaltgeräte auszutauschen, wenden Sie sich an das nächstgelegene Samsung-Kundendienstzentrum.

Ausführliche Anweisungen zum Austauschen der Leucht(en) oder Vorschaltgerät(e) in Ihrem Produkt finden Sie auf der Samsung-Website (<http://www.samsung.com>). Wechseln Sie dort zu Support > Support-Startseite und geben Sie dann die Modellbezeichnung ein.

Detaillierte Anweisung zum Ausbauen der Leuchte(n) und/oder des/der Vorschaltgerät(e) finden Sie in der obigen Anweisung zum Tauschen.

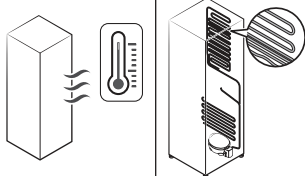
# Problembhebung

Überprüfen Sie Folgendes, ehe Sie den Kundendienst anrufen. Alle Serviceanrufe, die sich nicht auf Fehlfunktionen beziehen, werden dem Benutzer in Rechnung gestellt.

## Allgemein

### Temperatur

| Symptom   | Mögliche Ursachen  | Lösung  |
|---|--|---|
| Kühlabteil/Gefrierabteil funktionieren nicht. Die Temperatur im Kühlabteil/Gefrierabteil ist zu hoch. | <ul style="list-style-type: none"><li>• Das Netzkabel ist nicht richtig eingesteckt.</li></ul>   | <ul style="list-style-type: none"><li>• Verbinden Sie das Netzkabel richtig mit der Steckdose.</li></ul>  |
|   | <ul style="list-style-type: none"><li>• Die Temperaturregelung ist nicht richtig eingestellt.</li></ul>  | <ul style="list-style-type: none"><li>• Stellen Sie eine niedrigere Temperatur ein.</li></ul>   |
|   | <ul style="list-style-type: none"><li>• Die Kühl-/Gefrierkombination wurde in der Nähe einer Wärmequelle oder in direktem Sonnenlicht aufgestellt.</li></ul>                       | <ul style="list-style-type: none"><li>• Schützen Sie die Kühl-/Gefrierkombination vor direkter Sonneneinstrahlung oder Wärmequellen.</li></ul>                  |
|   | <ul style="list-style-type: none"><li>• Kein ausreichender seitlicher oder rückwärtiger Abstand der Kühl-/Gefrierkombination.</li></ul>  | <ul style="list-style-type: none"><li>• Stellen Sie sicher, dass zur Rückwand und zu den Seitenwänden des Schrankes mindestens 7 mm Abstand bestehen.</li></ul> |
|   | <ul style="list-style-type: none"><li>• Der Abwesenheitsmodus ist aktiviert.</li></ul>   | <ul style="list-style-type: none"><li>• Deaktivieren Sie den Abwesenheitsmodus.</li></ul>   |
|   | <ul style="list-style-type: none"><li>• Die Kühl-/Gefrierkombination ist überladen. Die Lüftungsöffnungen der Kühl-/Gefrierkombination sind mit Lebensmitteln verstellt.</li></ul> | <ul style="list-style-type: none"><li>• Überladen Sie die Kühl-/Gefrierkombination nicht. Verstellen Sie Lüftungsöffnungen nicht mit Lebensmitteln.</li></ul>   |
| Kühlabteil/Gefrierabteil kühlen zu stark.   | <ul style="list-style-type: none"><li>• Die Temperaturregelung ist nicht richtig eingestellt.</li></ul>  | <ul style="list-style-type: none"><li>• Stellen Sie eine höhere Temperatur ein.</li></ul>   |

| Symptom             | Mögliche Ursachen  | Lösung   |
|---------------------|--|--|
| Innenwand ist heiß. | <ul style="list-style-type: none"> <li>Die Kühl-/Gefrierkombination hat hitzebeständige Rohrleitungen in der Innenwand.</li> </ul> | <ul style="list-style-type: none"> <li>Um Kondensation zu verhindern, wurde die Kühl-/Gefrierkombination an den vorderen Ecken mit wärmeisolierten Rohren ausgestattet. Dieses Gerät arbeitet bei höheren Umgebungstemperaturen möglicherweise nicht effektiv. Dies ist keine Fehlfunktion des Geräts.</li> </ul>  |

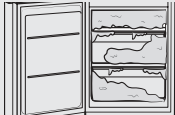
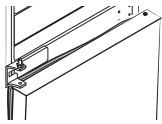
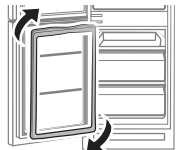
## Gerüche

| Symptom                                       | Mögliche Ursachen   | Lösung  |
|---|---|---|
| Die Kühl-/Gefrierkombination riecht schlecht. | <ul style="list-style-type: none"> <li>Verdorbenes Lebensmittel.</li> </ul>             | <ul style="list-style-type: none"> <li>Reinigen Sie die Kühl-/Gefrierkombination und entfernen Sie die verdorbenen Lebensmittel.</li> </ul> |
|   | <ul style="list-style-type: none"> <li>Lebensmittel mit starkem Eigengeruch.</li> </ul> | <ul style="list-style-type: none"> <li>Stellen Sie sicher, dass stark riechende Lebensmittel luftdicht verpackt sind.</li> </ul>            |

## Eisbildung

| Symptom                       | Mögliche Ursachen   | Lösung   |
|-------------------------------|---|--|
| Eis um die Lüftungsöffnungen. | <ul style="list-style-type: none"> <li>Die Lüftungsöffnungen werden von Lebensmitteln verstopft.</li> </ul> | <ul style="list-style-type: none"> <li>Stellen Sie sicher, dass keine Lebensmittel die Lüftungsöffnungen der Kühl-/Gefrierkombination versperren.</li> </ul> |
| Eis auf den Innenwänden.      | <ul style="list-style-type: none"> <li>Die Tür ist nicht richtig geschlossen.</li> </ul>                    | <ul style="list-style-type: none"> <li>Achten Sie darauf, dass keine Lebensmittel die Tür blockieren. Reinigen Sie die Türdichtung.</li> </ul>               |

# Problembehebung

| Symptom   | Mögliche Ursachen   | Lösung  |
|---|---|---|
| Früchte oder Gemüse sind gefroren.  | <ul style="list-style-type: none"> <li>• Früchte oder Gemüse werden in der Frischezone/im Frischeabteil aufbewahrt.</li> </ul>  | <ul style="list-style-type: none"> <li>• Die Frischezone/das Frischeabteil ist nur für Fleisch und Fisch bestimmt.</li> </ul>   |
| Übermäßige Frostbildung im Gefrierschrank.<br> | <ul style="list-style-type: none"> <li>• Die Tür ist nicht richtig abgedichtet, da die Türdichtung beim Umkehren des Türanschlags nicht ebenfalls umgedreht wurde.<br/></li> </ul> | <ul style="list-style-type: none"> <li>• Bauen Sie die Dichtungen an der Gerätetür aus, drehen Sie sie um 180° und bringen Sie sie wieder an.<br/></li> </ul> |

## Kondensation

| Symptom                            | Mögliche Ursachen  | Lösung   |
|------------------------------------|--|--|
| Kondenswasser auf den Innenwänden. | <ul style="list-style-type: none"> <li>• Wenn die Tür offen steht, dringt Feuchtigkeit in die Kühl-/Gefrierkombination ein.</li> </ul> | <ul style="list-style-type: none"> <li>• Entfernen Sie die Feuchtigkeit und lassen Sie die Tür nicht längere Zeit offen stehen.</li> </ul> |
|                                    | <ul style="list-style-type: none"> <li>• Lebensmittel mit hohem Feuchtigkeitsgehalt.</li> </ul>  | <ul style="list-style-type: none"> <li>• Achten Sie darauf, dass Lebensmittel luftdicht verpackt sind.</li> </ul>                          |

## Alarm

| Symptom           | Mögliche Ursachen   | Lösung  |
|-------------------|---|---|
| Ein Alarm ertönt. | <ul style="list-style-type: none"> <li>• Wenn die Tür länger als zwei Minuten offen bleibt, ertönt der Alarm, bis die Tür wieder geschlossen wird.</li> </ul> | <ul style="list-style-type: none"> <li>• Drücken Sie eine beliebige Taste, um den Alarm auszuschalten. Wenden Sie sich an ein lokales Samsung-Kundendienstzentrum, wenn der Alarm nach 12 Stunden erneut ertönt.</li> </ul> |

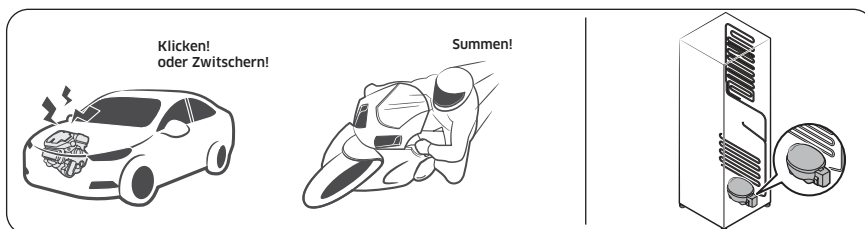


## Hören Sie ungewöhnliche Geräusche aus dem Kühlschrank?

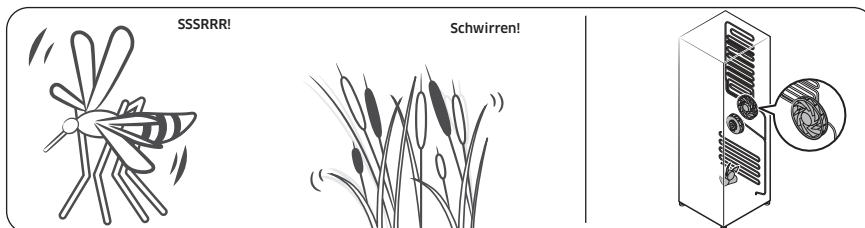
Überprüfen Sie Folgendes, ehe Sie den Kundendienst anrufen. Anrufe beim Service wegen normaler Geräusche werden dem Nutzer in Rechnung gestellt.

### Diese Geräusche sind normal.

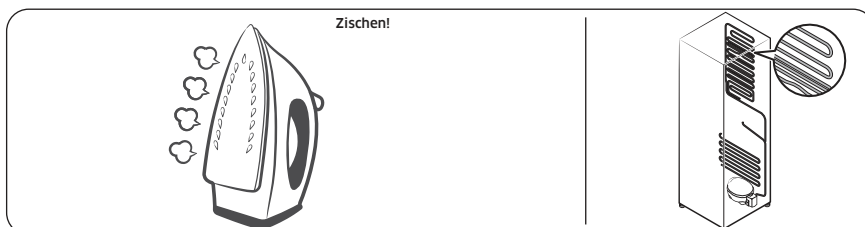
- Beim Ein- oder Ausschalten der Kühl-/Gefrierkombination hören Sie vom Gerät möglicherweise Geräusche wie ein Automotor, der angelassen wird. Wenn sich der Betrieb stabilisiert, gehen diese Geräusche zurück.



- Zu diesen Geräuschen kann es kommen, solange der Lüfter läuft. Wenn der Kühlschrank die eingestellte Temperatur erreicht, ist kein Lüftergeräusch zu hören.

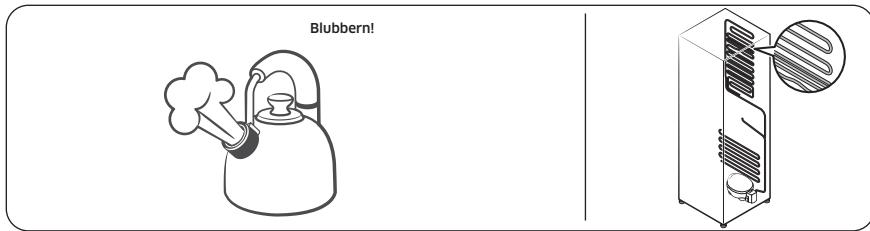


- Beim Abtauen kann Wasser auf die Abtauheizung tropfen und ein zischendes Geräusch verursachen.

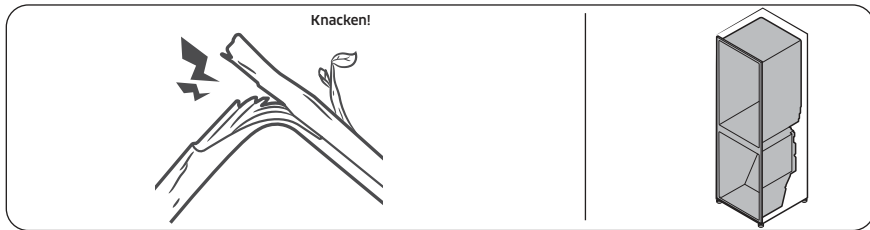


# Problembehebung

- Im Kühl- oder Gefrierbetrieb wird Kältemittelgas durch abgedichtete Rohre transportiert, wobei blubbernde Gehäuse verursacht werden können.



- Mit der Zunahme bzw. Abnahme der Kühlschranktemperatur ziehen sich Kunststoffteile zusammen und dehnen sich aus, wodurch Knackgeräusche entstehen. Diese Geräusche treten beim Abtauen auf, oder wenn elektronische Teile arbeiten.



- Modelle mit Eisspender: Möglicherweise sind Summtöne zu hören, wenn sich das Wasserventil öffnet, um die Eismaschine zu füllen.
- Durch den Druckausgleich beim Öffnen und Schließen der Kühlschranktür kann ein zischendes Geräusch auftreten.

## SmartThings (nur bestimmte Modelle)

| Symptom   | Abhilfemaßnahme   |
|---|---|
| „SmartThings“ ist im App-Shop nicht zu finden.  | <ul style="list-style-type: none"> <li>Welche Softwareversion die SmartThings-App unterstützt, hängt von den Richtlinien des Herstellers zur Unterstützung von Betriebssystemen ab. Im Hinblick auf die SmartThings-App und die von der App unterstützten Funktionen kann die neue Update-Richtlinie für die jeweilige Betriebssystemversion aus Gründen der Benutzerfreundlichkeit oder der Sicherheit ausgesetzt werden.</li> </ul>   |
| Die SmartThings-App funktioniert nicht.   | <ul style="list-style-type: none"> <li>Die SmartThings-App ist nur für bestimmte Modelle verfügbar.</li> <li>Die alte Samsung Smart Kühl-/Gefrierkombination-App kann sich nicht mit Samsung Smart Home-Modellen verbinden.</li> </ul>  |
| Die SmartThings-App ist installiert, verbindet sich aber nicht mit meiner Kühl-/Gefrierkombination.                         | <ul style="list-style-type: none"> <li>Sie müssen sich bei Ihrem Samsung-Konto anmelden, um die App zu nutzen.</li> <li>Prüfen Sie, ob Ihr Router normal arbeitet.</li> <li>Wenn das WLAN-Symbol auf dem Display der Kühl-/Gefrierkombination nicht angezeigt wird, bedeutet dies, dass noch keine Netzwerkverbindung hergestellt wurde. Verwenden Sie in diesem Fall die SmartThings-App, um Ihre Kühl-/Gefrierkombination mit dem Zugangspunkt (AP) Ihres Hauses zu verbinden und sie zu registrieren.</li> </ul> |
| Anmeldung bei der App nicht möglich.  | <ul style="list-style-type: none"> <li>Sie müssen sich bei Ihrem Samsung-Konto anmelden, um die App zu nutzen.</li> <li>Wenn Sie kein Samsung-Konto haben, befolgen Sie die Anweisungen der App zur Erstellung eines solchen.</li> </ul>  |
| Eine Fehlermeldung wird angezeigt, wenn ich versuche, meine Kühl-/Gefrierkombination zu registrieren.                       | <ul style="list-style-type: none"> <li>Easy Connection kann aufgrund der Entfernung vom Zugangspunkt oder elektrischen Umgebungsstörungen nicht verbinden. Warten Sie kurz und versuchen Sie es dann erneut.</li> </ul>   |
| Die SmartThings-App hat fehlerfrei eine Verbindung zu meiner Kühl-/Gefrierkombination hergestellt, funktioniert aber nicht. | <ul style="list-style-type: none"> <li>Beenden Sie die SmartThings-App und starten Sie sie neu oder trennen Sie den Router und verbinden Sie ihn erneut.</li> <li>Schalten Sie die Kühl-/Gefrierkombination aus und nach 1 Minute wieder ein.</li> </ul>  |
| Das WLAN-Symbol blinkt.<br>(  )          | <ul style="list-style-type: none"> <li>Verbinden Sie Ihre Kühl-/Gefrierkombination vor der Verwendung mit der SmartThings-App. Wenn die Verbindung erfolgreich hergestellt ist, hört die Anzeige auf zu blinken. <ul style="list-style-type: none"> <li>Wenn Sie die Verbindung nicht herstellen können oder die App nicht verwenden möchten, halten Sie die Taste <b>Fridge (Kühlabteil)</b> 10 Sekunden lang gedrückt. Die Anzeige hört auf zu blinken.</li> </ul> </li> </ul>                                    |

# Anhang

## Sicherheitshinweise

- Für eine möglichst effiziente Energienutzung wird empfohlen, alle Einsätze, wie z. B. Türfächer, Schubfächer, Fachböden oder den Eiswürfelbehälter, in der vom Hersteller angegebenen Position im Gerät zu verwenden.

## Installationsanleitung

### für Kühlgeräte mit Klimaklasse

In Abhängigkeit von der Klimaklasse ist dieses Kühlgerät für den Einsatz in den in der folgenden Tabelle angegebenen Umgebungstemperaturbereichen vorgesehen.

Die Klimaklasse ist auf dem Typenschild zu finden. Das Gerät funktioniert bei Temperaturen außerhalb des jeweiligen Bereichs möglicherweise nicht ordnungsgemäß.

Sie können die Klimaklasse auf dem Etikett im Inneren Ihres Kühlschranks ablesen.

### Effektiver Temperaturbereich

Die Kühl-/Gefrierkombination ist so ausgelegt, dass sie im Temperaturbereich ihrer Klimaklasse normal arbeitet.

| Klimaklasse               | Symbol | Raumtemperaturbereich (°C) |             |
|---------------------------|--------|----------------------------|-------------|
|                           |        | IEC 62552 (ISO 15502)      | ISO 8561    |
| Kalt gemäßigt (subnormal) | SN     | +10 bis +32                | +10 bis +32 |
| Warm gemäßigt (normal)    | N      | +16 bis +32                | +16 bis +32 |
| Subtropisch               | ST     | +16 bis +38                | +18 bis +38 |
| Tropisch                  | T      | +16 bis +43                | +18 bis +43 |

### HINWEIS

Die Kühlleistung und der Energieverbrauch der Kühl-/Gefrierkombination können von der Umgebungstemperatur, der Türöffnungshäufigkeit und der Position der Kühl-/Gefrierkombination beeinflusst werden. Wir empfehlen, angemessene Temperatureinstellungen zu verwenden.

## Angaben zur Temperatur

### Empfohlene Temperatur

Die optimale Temperatur für die Lagerung von Lebensmitteln:

- Fridge (Kühlabteil): 3 °C
- Freezer (Gefrierabteil): -19 °C

#### HINWEIS

Die optimale Temperatureinstellung für jedes Fach hängt von der Umgebungstemperatur ab. Die obige Optimaltemperatur ergibt sich bei einer Umgebungstemperatur von 25 °C.

### Turbokühlung

Die Turbokühlung beschleunigt das Abkühlen bei maximaler Lüfterdrehzahl. Das Kühlabteil läuft zweieinhalb Stunden lang mit voller Leistung weiter. Danach wird das Gerät wieder mit der vorher eingestellten Temperatur betrieben.

### Turbokälte

Mit Turbokälte wird das Einfrieren bei maximaler Lüfterdrehzahl beschleunigt. Das Gefrierabteil läuft 50 Stunden lang mit voller Leistung. Danach wird das Gerät wieder mit der vorher eingestellten Temperatur betrieben. Um größere Mengen an Lebensmitteln einzufrieren, aktivieren Sie Turbokälte für mindestens 20 Stunden, bevor Sie die Lebensmittel in das Gefrierabteil stellen.

#### HINWEIS

Der Energieverbrauch steigt, wenn Sie diese Funktion verwenden. Denken Sie daran, diese Funktion zu deaktivieren, wenn Sie sie nicht benötigen, und betreiben Sie das Gerät mit der ursprünglichen Temperatureinstellung.

### Regeln zur Lagerung mit bester Haltbarkeit (nur bestimmte Modelle)

Decken Sie Lebensmittel ab, um Feuchtigkeit zu speichern und zu verhindern, dass sie Gerüche von anderen Lebensmitteln aufnehmen. Ein großer Topf mit z. B. Suppe oder Eintopf sollte in kleine Portionen aufgeteilt und in flache Behälter gegeben werden, ehe sie sie kühlen. Ein großes Stück Fleisch oder Geflügel im Ganzen sollte vor dem Kühlen in kleinere Stücke zerteilt oder in flache Behälter gelegt werden.

#### Anordnung der Lebensmittel im Kühlschrank

|  |  |
|--|--|
| Fachböden                              | Die Fachböden sollten verstellbar sein, damit sie eine Vielzahl von Packungsgrößen aufnehmen können.   |
| Spezialfach<br>(nur bestimmte Modelle) | Versiegelte Gemüsefächer bieten eine optimale Aufbewahrungsumgebung für Obst und Gemüse. Gemüse benötigt höhere Feuchtigkeit, während Früchte weniger Feuchtigkeit benötigen.<br>Gemüsefächer sind mit Vorrichtungen zum Regulieren der Feuchtigkeit ausgestattet. (*je nach Modell und Zubehör) Ein Fleischschubfach mit einstellbarer Temperatur maximiert die Aufbewahrungszeit von Fleisch und Käse. |

# Anhang

|                     |   |
|---------------------|---|
| An der Tür verstaut | Bewahren Sie verderblichen Lebensmittel nicht in der Tür. Eier sollten im Karton in einem Regalfach aufbewahrt werden. Die Temperatur der Türfächer in der Tür schwankt stärker als die Temperatur im Kühlabteil. Halten Sie die Tür so weit wie möglich geschlossen. |
| Gefrierabteil       | Im Gefrierabteil können Sie Tiefkühlkost aufbewahren, Eiswürfel herstellen und frische Lebensmittel einfrieren.   |

## HINWEIS

Frieren Sie nur frische, einwandfreie Lebensmittel ein. Legen Sie Lebensmittel, die Sie neu einfrieren möchten, möglichst nicht neben solche, die bereits eingefroren sind. Damit Lebensmittel nicht ihren Geschmack verlieren oder austrocknen, müssen Sie sie in luftdicht verschlossenen Behältern oder Gefrierbeuteln aufbewahren.

### Tabelle zur Lagerung in Kühl- und Gefrierschränken

Wie lange Lebensmittel frisch bleiben, hängt von Temperatur und der Feuchtigkeitseinwirkung ab. Da die Angaben auf dem Produkt für die sichere Verwendung eines Produkts nicht verlässlich sind, schlagen Sie in dieser Tabelle nach und befolgen Sie diese Tipps.

#### Milchprodukte

| Produkt    | Kühlabteil | Gefrierabteil        |
|------------|------------|----------------------|
| Milch      | 1 Woche    | 1 Monat              |
| Butter     | 2 Wochen   | 12 Monate            |
| Eiskreme   | -          | 2-3 Wochen           |
| Naturkäse  | 1 Monat    | 4-6 Monate           |
| Frischkäse | 2 Wochen   | Nicht empfehlenswert |
| Joghurt    | 1 Monat    | -                    |

#### Fleisch

| Produkt                              | Kühlabteil | Gefrierabteil |
|--------------------------------------|------------|---------------|
| Frischer Braten, Steaks, Koteletts   | 3-4 Tage   | 2-3 Monate    |
| Frisches Hackfleisch, Suppenfleisch  | 1-2 Tage   | 3-4 Monate    |
| Speck                                | 7 Tage     | 1 Monat       |
| Wurst, Rohes vom Schwein, Rind, Pute | 1-2 Tage   | 1-2 Monate    |

## Geflügel/Eier

| Produkt                    | Kühlabteil | Gefrierabteil        |
|----------------------------|------------|----------------------|
| Frisches Geflügel          | 2 Tage     | 6-8 Monate           |
| Geflügelsalat              | 1 Tag      | -                    |
| Eier, frisch in der Schale | 2-4 Wochen | Nicht empfehlenswert |

## Fisch / Meeresfrüchte

| Produkt                             | Kühlabteil | Gefrierabteil        |
|-------------------------------------|------------|----------------------|
| Frischer Fisch                      | 1-2 Tage   | 3-6 Monate           |
| Gekochter Fisch                     | 3-4 Tage   | 1 Monat              |
| Fischsalat                          | 1 Tag      | Nicht empfehlenswert |
| Getrockneter oder eingelegter Fisch | 3-4 Wochen | -                    |

## Obst

| Produkt              | Kühlabteil | Gefrierabteil |
|----------------------|------------|---------------|
| Äpfel                | 1 Monat    | -             |
| Pfirsiche            | 2-3 Wochen | -             |
| Ananas               | 1 Woche    | -             |
| Sonstiges Frischobst | 3-5 Tage   | 9-12 Monate   |

## Gemüse

| Produkt                                       | Kühlabteil | Gefrierabteil |
|---|------------|---------------|
| Spargel                                       | 2-3 Tage   | -             |
| Brokkoli, Rosenkohl, grüne Erbsen, Pilze      | 3-5 Tage   | -             |
| Kohl, Blumenkohl, Sellerie, Gurken, Kopfsalat | 1 Woche    | -             |
| Karotten, Rüben, Radieschen                   | 2 Wochen   | -             |

# Anhang

---

## Modellinformationen und Bestellung von Ersatzteilen

---

### Modellinformationen

Scannen Sie den QR-Code auf dem Energieaufkleber, um Informationen über dieses Produkt aus dem Europäischen Produktregister für Energiekennzeichnung (EPREL) abzurufen.

Sie finden den QR-Code auf dem Energieaufkleber in Ihrer Produktverpackung.

### Angaben zu Ersatzteil

- Abgaben zum Zeitraum, während dem Ersatzteile vorgehalten werden, die für die Reparatur des Geräts erforderlich sind:
  - 7 Jahre - Thermostate, Temperaturfühler, Leiterplatten und Lichtquellen, Türgriffe, Türscharniere, Fachböden, Körbe (Kästen oder Schubladen)
  - 10 Jahre - Türdichtungen
- Die Mindestdauer der vom Hersteller geleisteten Garantie für das Kühlgerät beträgt 24 Monate.
- Relevante Informationen für die Bestellung von Ersatzteilen, sei es direkt bei Samsung oder über andere Kanäle, werden vom Hersteller, Importeur oder einem offiziellen Vertreter zur Verfügung gestellt.
- Informationen zu Reparaturfachbetrieben erhalten Sie auf <http://samsung.com/support>. Das Servicehandbuch für Benutzer erhalten Sie auf <http://samsung.com/support>.



# Open Source Announcement

---

## Open Source Announcement

---

The software included in this product contains open source software. You may obtain the complete corresponding source code for a period of three years after the last shipment of this product by contacting our support team via <http://opensource.samsung.com> (Please use the "Inquiry" menu.)

It is also possible to obtain the complete corresponding source code in a physical medium such as a CD-ROM; a minimal charge will be required.

The following URL [http://opensource.samsung.com/opensource/COMMON\\_TZ6\\_0/seq/0](http://opensource.samsung.com/opensource/COMMON_TZ6_0/seq/0) leads to the open source license information as related to this product. This offer is valid to anyone in receipt of this information.



# Notizen

---

# Notizen

---

## HINWEIS

Hiermit erklärt Samsung, dass dieses Funkgerät den Bestimmungen der Richtlinie 2014/53/EU und den entsprechenden gesetzlichen Vorschriften im Vereinigten Königreich entspricht.

Der vollständige Wortlaut der Konformitätserklärungen für die EU und das Vereinigte Königreich ist unter der folgenden Internetadresse verfügbar: Die offizielle Konformitätserklärung finden Sie unter <http://www.samsung.com>. Wechseln Sie zu Support > Produktsuche, und geben Sie den Modellnamen ein.

|           | Frequenzbereich | Senderleistung (Max) |
|-----------|-----------------|----------------------|
| WLAN      | 2412-2472 MHz   | 20 dBm               |
| Bluetooth | 2402-2480 MHz   | 20 dBm               |

|             |   |   |
|-------------|---|---|
| FRANCE      | 01 48 63 00 00  | <a href="http://www.samsung.com/fr/support">www.samsung.com/fr/support</a>  |
| GERMANY     | 06196 77 555 77   | <a href="http://www.samsung.com/de/support">www.samsung.com/de/support</a>  |
| LUXEMBURG   | 261 03 710  | <a href="http://www.samsung.com/be_fr/support">www.samsung.com/be_fr/support</a>  |
| NETHERLANDS | 088 90 90 100   | <a href="http://www.samsung.com/nl/support">www.samsung.com/nl/support</a>  |
| BELGIUM     | 02-201-24-18  | <a href="http://www.samsung.com/be/support">www.samsung.com/be/support</a> (Dutch)<br><a href="http://www.samsung.com/be_fr/support">www.samsung.com/be_fr/support</a> (French) |
| NORWAY      | 21629099  | <a href="http://www.samsung.com/no/support">www.samsung.com/no/support</a>  |
| DENMARK     | 707 019 70  | <a href="http://www.samsung.com/dk/support">www.samsung.com/dk/support</a>  |
| FINLAND     | 030-6227 515  | <a href="http://www.samsung.com/fi/support">www.samsung.com/fi/support</a>  |
| SWEDEN      | 0771-400 300  | <a href="http://www.samsung.com/se/support">www.samsung.com/se/support</a>  |
| CYPRUS      | 8009 4000 only from landline, toll free   | <a href="http://www.samsung.com/gr/support">www.samsung.com/gr/support</a>  |
| GREECE      | 80111-SAMSUNG (80111 726 7864) only from land line<br>(+30) 210 6897691 from mobile and land line |   |
| ITALIA      | 800-SAMSUNG (800.7267864)   | <a href="http://www.samsung.com/it/support">www.samsung.com/it/support</a>  |
| PORTUGAL    | 210 608 098<br>Chamada para a rede fixa nacional<br>Dias úteis das 9h às 20h                      | <a href="http://www.samsung.com/pt/support">www.samsung.com/pt/support</a>  |
| SPAIN       | 91 175 00 15  | <a href="http://www.samsung.com/es/support">www.samsung.com/es/support</a>  |



# Koelkast

---

## Gebruiksaanwijzing

---

Inbouwapparaat

**SAMSUNG**

# Inhoud

---

|  |           |
|--|-----------|
| <b>Veiligheidsinformatie</b>                                     | <b>3</b>  |
| Belangrijke informatie over de veiligheidswaarschuwingen         | 3         |
| Belangrijke veiligheidssymbolen en voorzorgsmaatregelen:         | 6         |
| Belangrijke veiligheidsvoorschriften                             | 7         |
| Belangrijke waarschuwingssymbolen voor transport en op locatie   | 11        |
| Belangrijke waarschuwingen met betrekking tot de installatie     | 11        |
| Let op bij de installatie  | 16        |
| Belangrijke waarschuwingen met betrekking tot het gebruik        | 16        |
| Let op bij het gebruik   | 21        |
| Waarschuwingen voor het schoonmaken                              | 24        |
| Belangrijke waarschuwingen met betrekking tot het verwijderen    | 26        |
| Aanvullende tips voor correct gebruik                            | 27        |
| Instructies over de AEEA-richtlijn                               | 29        |
| <b>Installatie</b>   | <b>30</b> |
| Overzicht van de koelkast  | 30        |
| Stapsgewijze installatie   | 31        |
| <b>Bediening</b>   | <b>42</b> |
| Hoofdpaneel  | 42        |
| SmartThings (alleen bepaalde modellen)                           | 47        |
| Informatie over het bewaren van etenswaren                       | 50        |
| <b>Onderhoud</b>   | <b>52</b> |
| Behandeling en onderhoud   | 52        |
| Reinigen   | 54        |
| Vervanging   | 54        |
| <b>Problemen oplossen</b>  | <b>55</b> |
| Algemeen   | 55        |
| Hoort u een abnormaal geluid uit de koelkast?                    | 58        |
| SmartThings (alleen bepaalde modellen)                           | 60        |
| <b>Bijlage</b>   | <b>61</b> |
| Veiligheidsinstructie  | 61        |
| Installatieinstructie  | 61        |
| Temperatuurinstructie  | 62        |
| Informatie over het model en het bestellen van reserveonderdelen | 65        |
| <b>Open Source Announcement</b>                                  | <b>66</b> |
| Open Source Announcement   | 66        |

# Veiligheidsinformatie

---

Lees deze handleiding aandachtig door voordat u uw nieuwe Samsung-koelkast in gebruik neemt, zodat u weet hoe u op veilige en efficiënte wijze gebruikmaakt van de mogelijkheden en functies van uw nieuwe apparaat.

## Belangrijke informatie over de veiligheidswaarschuwingen

---

- In de waarschuwingen en veiligheidsvoorschriften in deze handleiding worden niet alle mogelijke omstandigheden en situaties besproken.  
Het is uw verantwoordelijkheid om uw gezonde verstand te gebruiken en voorzichtig te zijn bij het installeren, onderhouden en bedienen van uw apparaat.
- Aangezien deze gebruiksinstructies gelden voor meerdere modellen, kunnen de eigenschappen van de koelkast verschillen van de beschrijving in deze handleiding. Als u vragen of opmerkingen hebt, dient u contact op te nemen met het dichtstbijzijnde servicecentrum. U kunt ook hulp en informatie online verkrijgen op [www.samsung.com](http://www.samsung.com).
- R-600a of R-134a wordt gebruikt als koelmiddel.  
Raadpleeg het compressorlabel achter op het apparaat of het typeplaatje binnen in de koelkast om te controleren welk koelmiddel er in uw apparaat wordt gebruikt. Als dit product brandbaar gas bevat (koelmiddel R-600a), neemt u contact op met de plaatselijke autoriteiten met betrekking tot het veilig afvoeren van dit product.
- Als u het vormen van een brandbaar gas-luchtmengsel wilt vermijden bij een lek in het koelcircuit, dient u rekening te houden met de grootte van de ruimte waarin het apparaat staat en met de hoeveelheid koelmiddel die wordt gebruikt.

# Veiligheidsinformatie

---

- Het is voor iedereen die geen bevoegd onderhoudsmonteur is gevaarlijk om onderhoud aan dit apparaat uit te voeren.
- Zet nooit een apparaat aan dat tekenen van schade vertoont. Neem bij twijfel contact op met uw dealer. De ruimte moet 1 m<sup>3</sup> groot zijn voor elke 8 g aan R-600a-koelmiddel in het apparaat. De hoeveelheid koelmiddel in uw specifieke apparaat wordt aangegeven op het identificatieplaatje binnen in het apparaat.
- Als er koelmiddel uit de leidingen spuit, kan dit ontbranden of oogletsel veroorzaken. Als er koelmiddel uit de leiding lekt, dient u open vuur te vermijden, verwijdert u alle ontvlambare items uit de buurt van het product en moet u de ruimte meteen ventileren.
  - Als u dit niet doet, kan dit leiden tot brand of een explosie.
- Ter voorkoming van aantasting van etenswaren moet het volgende in acht worden genomen:
  - Als de deur te lang geopend is, kan de temperatuur in de koelkastcompartimenten aanzienlijk stijgen.
  - Oppervlakken die in contact komen met etenswaren en bereikbare afvoersystemen moeten regelmatig worden gereinigd.
  - Wanneer watertanks gedurende 48 uur niet zijn gebruikt, dient u deze te reinigen. Als er 5 dagen lang geen water is gebruikt, dient u het watersysteem te spoelen door het aan te sluiten op een watertoevoer.



- 
- Bewaar rauw vlees en rauwe vis in de koelkast in geschikte bakken, zodat dit niet in contact kan komen met andere etenswaren en geen vocht kan lekken op andere etenswaren.
  - Vriescompartimenten met twee sterren zijn geschikt voor het bewaren van ingevroren etenswaren, voor het bewaren of maken van ijs en voor het maken van ijsblokjes.
  - Compartimenten met één, twee en drie sterren zijn niet geschikt voor het invriezen van verse etenswaren.
  - Als de koelkast langere tijd leeg is, moet u deze uitschakelen, ontdooien, reinigen, droogmaken en de deur open laten staan om te voorkomen dat er schimmelvorming in de koelkast ontstaat.

# Veiligheidsinformatie

---

## Belangrijke veiligheidssymbolen en voorzorgsmaatregelen:

---

Volg alle veiligheidsinstructies in deze handleiding. In deze handleiding worden de volgende veiligheidssymbolen gebruikt.

### **WAARSCHUWING**

Risico's of onveilige situaties die kunnen leiden tot **ernstig lichamelijk letsel, materiële schade en/of de dood.**

### **LET OP**

Risico's of onveilige situaties die kunnen leiden tot **ernstig lichamelijk letsel en/of schade aan eigendommen.**

### **OPMERKING**

Nuttige informatie voor gebruikers voor begrip en profijt van de koelkast.

Deze waarschuwingstekens zijn bestemd om te voorkomen dat u zichzelf of anderen verwondt.

Neem ze nauwgezet in acht.

Lees dit onderdeel door en bewaar het op een veilige plaats voor toekomstige referentie.

---

## Belangrijke veiligheidsvoorschriften

---



**WAARSCHUWING:** brandgevaar/brandbare materialen

### **WAARSCHUWING**

- Zorg bij het plaatsen van het apparaat dat de voedingskabel niet wordt bekneld of beschadigd.
- Plaats niet meerdere verlengsnoeren of stekkerdozen achter het apparaat.
- Houd de ventilatieopeningen in de kast of ombouw van het apparaat vrij.
- Gebruik geen mechanische apparaten of andere middelen om het ontdooien te bespoedigen, tenzij deze door de fabrikant worden aanbevolen.
- Beschadig het koelcircuit niet.
- Gebruik geen elektrische apparaten in de compartimenten voor voedingsmiddelen, tenzij ze van het type zijn dat door de fabrikant wordt aanbevolen.
  
- Dit apparaat is niet bedoeld voor personen (waaronder kinderen) met een verminderd fysiek, zintuiglijk of mentaal vermogen of met onvoldoende ervaring en kennis, tenzij ze onder toezicht staan of instructies hebben gekregen met betrekking tot het gebruik van het apparaat van een persoon die verantwoordelijk is voor hun veiligheid.

# Veiligheidsinformatie

---

- Dit apparaat kan door kinderen vanaf 8 jaar en door personen met een verminderd fysiek, zintuiglijk of mentaal vermogen of gebrek aan ervaring en kennis worden gebruikt. In dat geval dient er toezicht te zijn of dienen aan deze personen instructies te zijn gegeven omtrent veilig gebruik van het apparaat en moeten deze personen begrijpen welke gevaren het gebruik met zich meebrengt. Kinderen mogen niet met het apparaat spelen. Reiniging en gebruikersonderhoud mogen niet zonder toezicht door kinderen worden uitgevoerd. Kinderen van 3 t/m 8 jaar mogen koelkasten vullen en leeghalen.
- Als het netsnoer is beschadigd, moet dit door de fabrikant, een door de fabrikant aangewezen servicebedrijf of een vergelijkbaar gekwalificeerd persoon worden vervangen om schade te voorkomen.
- Zorg dat het stopcontact goed toegankelijk is zodat u de stekker van het apparaat snel kunt lostrekken bij een noodgeval.
  - Het stopcontact mag zich niet achter het apparaat bevinden.
- Bewaar in dit apparaat geen explosieve stoffen zoals spuitbussen met een brandbaar drijfgas.
- Als het product is uitgerust met LED-lampjes, neem de kapjes dan niet zelf van de lampjes en demonteer de LED-lampjes niet zelf.
  - Neem contact op met een Samsung-onderhoudscentrum.
  - Gebruik uitsluitend de LED-lampjes die door de fabrikant of door de servicebedrijven zijn geleverd.

- 
- Wanneer het LED-lampje voor de binnen- of buitenverlichting niet meer werkt, neemt u contact op met een servicecentrum.
  - Voor het efficiëntste energiegebruik dient u alle onderdelen zoals bakken, laden en leggers op de plaats te houden waar deze door de fabrikant zijn geleverd.
  - Voor een optimale energie-efficiëntie laat u alle schappen, laden en manden op de oorspronkelijke positie.

### Stroomverbruik verminderen

- Installeer het apparaat in een koele, droge ruimte met voldoende ventilatie.
- Zorg dat het apparaat niet is blootgesteld aan direct zonlicht en plaats het nooit in de buurt van een bron van directe warmte (bijvoorbeeld een radiator).
  - Zorg ervoor dat ventilatieopeningen of roosters niet worden geblokkeerd, zodat het apparaat niet onnodig veel stroom verbruikt.
  - Laat het voedsel afkoelen alvorens het in de koelkast te zetten.
  - Zet bevroren voedsel in de koelkast om het te laten ontdooien. U kunt de lage temperaturen van bevroren producten gebruiken om voedsel in de koelkast af te koelen.
  - Houd de deur van het apparaat niet te lang open terwijl u er etenswaren inzet of uitneemt.
  - Hoe korter de deur open is, hoe minder ijsvorming er in de vriezer plaatsvindt.

## Veiligheidsinformatie

---

- Reinig de achterkant van de koelkast regelmatig. Stof doet het energieverbruik toenemen.
- Stel geen koudere temperatuur in dan nodig is.
- Zorg voor voldoende luchtafvoer aan de onderzijde en de achterwand van de koelkast. Sluit geen luchtopeningen af.
- Plaats het apparaat zo dat er genoeg ruimte is aan de rechter-, linker-, achter- en bovenzijde. Het stroomverbruik neemt hierdoor af, wat kosten bespaart.
- Selecteer een diepte van 560 mm. Een minder diepe ruimte zal resulteren in een hoger energieverbruik.

### Dit apparaat is bedoeld om te worden gebruikt in huishoudens en soortgelijke toepassingen, zoals

- personeelskantines in winkels, kantoren en andere bedrijfsomgevingen;
- pensions, en door klanten in hotels, motels en andere accommodaties;
- bed & breakfast-achtige omgevingen;
- catering en soortgelijke kleinhandelstoepassingen.

---

## Belangrijke waarschuwingssymbolen voor transport en op locatie

---

### **WAARSCHUWING**

- Bij het transporteren en installeren van het apparaat moet u ervoor zorgen dat er geen onderdelen van het koelcircuit beschadigd raken.
  - Koelmiddel dat uit de pijp lekt, kan ontbranden of oogletsel veroorzaken. Als een lek wordt ontdekt, moet u open vuur of mogelijke ontstekingsbronnen vermijden en de ruimte waarin het apparaat staat, enkele minuten ventileren.
  - Dit apparaat bevat een kleine hoeveelheid isobutaan (R-600a), een natuurlijk, milieuvriendelijk gas, dat echter zeer brandbaar is. Bij het transporteren en installeren van het apparaat moet u ervoor zorgen dat er geen onderdelen van het koelcircuit beschadigd raken.

## Belangrijke waarschuwingen met betrekking tot de installatie

---

### **WAARSCHUWING**

- Installeer de koelkast niet in een vochtige omgeving of op een plaats waar deze in contact kan komen met water.
  - Verslechterde isolatie van elektrische onderdelen kan leiden tot een elektrische schok of brand.

## Veiligheidsinformatie

---

- Plaats deze koelkast niet in direct zonlicht en stel het apparaat niet bloot aan warmte van fornuizen, radiatoren of andere apparaten.
- Vermijd het aansluiten van meerdere apparaten op één stekkerdoos. De koelkast moet altijd een eigen individueel stopcontact hebben met een voltage dat overeenkomt met het voltage van het typeplaatje van de koelkast.
  - Dit zorgt ervoor dat het apparaat optimaal presteert en voorkomt overbelasting van de elektrische bekabeling in uw huis, die zou kunnen leiden tot brand door oververhitting van de elektriciteitskabels.
- Steek de stekker niet in het stopcontact als dit los zit.
  - Er bestaat gevaar op elektrische schokken of brand.
- Gebruik geen netsnoer dat over de lengte of aan de uiteinden is gebarsten of versleten.
- Buig het netsnoer niet te veel en plaats er geen zware voorwerpen op.
- Trek niet te hard aan het netsnoer en buig het niet overmatig.
- Draai het netsnoer niet en leg er geen knoop in.
- Haak het netsnoer niet over een metalen object, plaats geen zwaar voorwerp op het netsnoer en steek het snoer niet tussen voorwerpen door of druk het niet op zijn plaats achter het apparaat.
- Zorg dat u bij het verplaatsen van de koelkast niet met de koelkast over het netsnoer rolt of dit beschadigt.
  - Elektrische schokken en brand kunnen het gevolg zijn.



- 
- Trek nooit aan het netsnoer wanneer u de koelkast loskoppelt. Neem altijd de stekker stevig beet en trek deze recht uit het stopcontact.
    - Schade aan het snoer kan kortsluiting, brand of elektrische schokken veroorzaken.
  - Gebruik geen spuitbussen in de buurt van de koelkast.
    - Spuitbussen die in de buurt van de koelkast worden gebruikt, kunnen leiden tot een explosie of brand.
  - Installeer het apparaat niet in de buurt van een verwarming of ontvlambaar materiaal.
  - Plaats het apparaat niet op een locatie waar gas kan vrijkomen.
    - Elektrische schokken en brand kunnen het gevolg zijn.
  - Deze koelkast dient voor gebruik op de juiste wijze, zoals beschreven in deze handleiding, geplaatst en geïnstalleerd te worden.
  - Sluit de stekker aan in de juiste positie met het snoer naar beneden.
    - Als u de stekker ondersteboven in het stopcontact steekt, kan de draad afgeklemd raken en brand of elektrische schokken veroorzaken.
  - Zorg dat het netsnoer niet geplet of beschadigd wordt door de achterkant van de koelkast.
  - Houd het verpakkingsmateriaal uit de buurt van kinderen.
    - Er is gevaar van dodelijk letsel door verstikking als kinderen het verpakkingsmateriaal over hun hoofd trekken.

## Veiligheidsinformatie

---

- Installeer dit apparaat niet in een omgeving met veel vocht, olie of stof, of op een locatie waar het wordt blootgesteld aan direct zonlicht en water (regendruppels).
  - Verslechterde isolatie van elektrische onderdelen kan leiden tot een elektrische schok of brand.
- Als er zich stof of water in uw koelkast bevindt, haalt u de stekker uit het stopcontact en neemt u contact op met het servicecentrum van Samsung Electronics.
  - Anders bestaat het risico op brand.
- Ga niet op het apparaat staan en plaats geen objecten (zoals wasgoed, brandende kaarsen, aangestoken sigaretten, de vaatwas, chemicaliën, metalen objecten enz.) op het apparaat.
  - Dit kan resulteren in elektrische schokken, brand, problemen met het product of letsel.
- Verwijder eerst alle beschermende plastic folie voordat u de stekker in het stopcontact doet.
- Kinderen moeten onder toezicht staan om te voorkomen dat ze met de borgringen voor het afstellen van de deur, of met de waterslangklemmen gaan spelen.
  - Er is gevaar van dodelijk letsel door verstikking als kinderen een borgring of waterslangklem inslikken. Houd de borgringen en waterslangklemmen buiten het bereik van kinderen.
- De koelkast moet veilig worden geaard.
  - Controleer altijd of u de koelkast hebt geaard voordat u een onderdeel van het apparaat onderzoekt of herstelt. Stroomlekken kunnen ernstige elektrische schokken veroorzaken.

- 
- Gebruik nooit gasleidingen, telefoonkabels of andere potentiële bliksemafleiders als aarding.
    - U dient de koelkast te aarden om stroomlekken of elektrische schokken te voorkomen die veroorzaakt worden door stroomlekkage van de koelkast.
    - Een elektrische schok, brand, explosie of problemen met het product zouden het gevolg kunnen zijn.
  - Steek de stekker stevig in het stopcontact. Gebruik geen beschadigde stekker, beschadigde voedingskabel of los stopcontact.
    - Elektrische schokken en brand kunnen het gevolg zijn.
  - De zekering op de koelkast moet worden vervangen door een gekwalificeerde monteur of een gekwalificeerd servicebedrijf.
    - Als u dit nalaat, kan dat leiden tot elektrische schokken of lichamenlijk letsel.
  - Dit apparaat is een inbouwmodel waarvoor gerichte ventilatie is vereist. Om explosiegevaar te voorkomen, moet u ruimte vrijlaten voor ventilatie.
  - De zekering op de koelkast moet worden vervangen door een gekwalificeerde monteur of een gekwalificeerd servicebedrijf. Als u dit nalaat, kan dat leiden tot elektrische schokken of lichamenlijk letsel.

# Veiligheidsinformatie

---

## Let op bij de installatie

---

### **LET OP**

- Zorg voor voldoende ruimte rond de koelkast en installeer deze op een vlak oppervlak.
  - Als de koelkast niet waterpas staat, kunnen de koelingsefficiëntie en duurzaamheid afnemen.
- Laat het apparaat gedurende 2-3 uur na de installatie staan alvorens etenswaren in de koelkast te leggen en de koelkast in te schakelen.
- Wij adviseren u met klem de koelkast door een gekwalificeerde monteur of onderhoudsbedrijf te laten installeren.
  - Als u dit nalaat, kan dat leiden tot elektrische schokken, brand, een explosie, problemen met het product of lichamelijk letsel.

## Belangrijke waarschuwingen met betrekking tot het gebruik

---

### **WAARSCHUWING**

- Steek de stekker niet met natte handen in het stopcontact.
  - Als u dit wel doet, loopt u het risico op een elektrische schok.
- Bewaar geen voorwerpen boven op het apparaat.
  - Als u de deur opent of sluit, kunnen deze voorwerpen vallen en persoonlijk letsel en/of materiële schade veroorzaken.

- 
- Steek uw handen, voeten of metalen objecten (zoals stokjes) niet onder of achter de koelkast.
    - Elektrische schokken en lichamelijk letsel kunnen het gevolg zijn.
    - Scherpe randen kunnen lichamelijk letsel veroorzaken.
  - Raak de binnenwanden van de vriezer of producten die in de vriezer liggen niet met natte handen aan.
    - Dit kan bevriezing van de handen veroorzaken.
  - Plaats geen voorwerpen op de koelkast die zijn gevuld met water.
    - Als deze omvallen, bestaat het risico op een elektrische schok of brand.
  - Bewaar geen vluchtige of brandbare voorwerpen of stoffen (zoals wasbenzine, thinner, propaangas, alcohol, ether, LP-gas en dergelijke producten) in de koelkast.
    - Deze koelkast is uitsluitend bestemd om voedsel in te bewaren.
    - Dit kan brand of een explosie veroorzaken.
  - Kinderen mogen het apparaat uitsluitend onder toezicht gebruiken om te voorkomen dat ze ermee gaan spelen.
    - Houd uw vingers uit de buurt van gebieden waar ze afgekneld kunnen worden. Ruimtes tussen de deuren en de kast zijn noodzakelijkerwijze nauw. Wees voorzichtig wanneer u de deuren opent als er kinderen aanwezig zijn.

## Veiligheidsinformatie

---

- Voorkom dat uw vingers of de vingers van uw kinderen tussen de deur komen.
  - Houd vingers uit de weg van de linker- en rechterdeuropeningen. Wees voorzichtig wanneer u de deuren opent terwijl uw vingers tussen de deuren zijn geplaatst.
- Laat kinderen niet aan de deur of de deurbakken hangen. Dit kan leiden tot ernstig letsel.
- Zorg dat kinderen niet in de koelkast kunnen komen. Ze kunnen worden opgesloten.
- Steek uw hand niet in het onderste deel onder het apparaat.
  - Scherpe randen kunnen lichamelijk letsel veroorzaken.
- Bewaar geen farmaceutische producten, wetenschappelijk materiaal of temperatuurgevoelige producten in de koelkast.
  - Producten met strenge temperatuurvereisten mogen niet in de koelkast worden bewaard.
- Als het apparaat een brandlucht verspreidt of als er rook uit het apparaat komt, trekt u de onmiddellijk de stekker uit het stopcontact en neemt u contact op met het servicecenter van Samsung Electronics.
- Als er zich stof of water in uw koelkast bevindt, trekt u de stekker uit het stopcontact en neemt u contact op met het servicecentrum van Samsung Electronics.
  - Anders bestaat het risico op brand.
- Laat kinderen niet op een lade staan.
  - De lade kan breken waardoor ze uit kunnen glijden.

- 
- Laat de deuren van de koelkast niet open staan als er niemand in de buurt is en laat kinderen niet binnen in de koelkast.
  - Zorg dat baby's of kinderen niet in de lade gaan liggen.
    - Dit kan leiden tot verstikking als kinderen blijven vastzitten, of tot lichamelijk letsel.
  - Zorg dat er niet te veel voedsel in de koelkast ligt.
    - Als u de deur opent, kan er een item uitvallen en persoonlijk letsel of materiële schade veroorzaken.
  - Spuit geen vluchtig materiaal zoals insectenverdelger op het oppervlak van het apparaat.
    - Dit is niet alleen gevaarlijk voor mensen, maar kan ook leiden tot elektrische schokken, brand of problemen met het product.
  - Gebruik of bewaar geen temperatuurgevoelige stoffen in de buurt van of in de koelkast, zoals brandbare sprays, brandbare voorwerpen, droog ijs, medicijnen of chemicaliën.
  - Gebruik geen föhn om de binnenkant van de koelkast te drogen. Plaats geen aangestoken kaars in de koelkast om nare geurtjes te verwijderen.
    - Elektrische schokken en brand kunnen het gevolg zijn.
  - Ga niet op het apparaat staan en plaats geen objecten (zoals wasgoed, brandende kaarsen, aangestoken sigaretten, de vaatwas, chemicaliën, metalen objecten enz.) op het apparaat. Dit kan resulteren in elektrische schokken, brand, problemen met het product of letsel. Plaats geen voorwerpen op het apparaat die zijn gevuld met water.
    - Als deze omvallen, bestaat het risico op een elektrische schok of brand.

## Veiligheidsinformatie

---

- Kijk nooit gedurende langere tijd rechtstreeks in de UV LED-lamp.
  - Door de ultraviolette straling kunt u last van uw ogen krijgen.
- Plaats de glasplaat niet ondersteboven. Mogelijk werkt de stopper van het legplateau dan niet.
  - Dit kan leiden tot persoonlijk letsel of materiële schade.
- Als een gaslek wordt ontdekt, dient u open vuur of mogelijke ontstekingsbronnen te vermijden en de ruimte waarin het apparaat staat enkele minuten lang te luchten.
  - Raak het apparaat of netsnoer niet aan.
  - Gebruik geen ventilator.
  - Een vonkje kan een explosie of brand veroorzaken.
- Flessen moeten dicht naast elkaar worden bewaard, zodat ze er niet uitvallen.
- Dit product is uitsluitend bestemd voor het bewaren van voedsel in een huishoudelijke omgeving.
- Probeer de koelkast niet zelf te repareren, te demonteren of aan te passen.
  - Ongeautoriseerde wijzigingen kunnen tot onveilige situaties leiden. Voor het ongedaan maken van ongeautoriseerde wijzigingen brengen wij de volledige kosten van onderdelen en arbeid in rekening.
- Gebruik geen andere zekering (zoals koper, staaldraad, enz.) dan een standaardzekering.
- Neem contact op met het dichtstbijzijnde servicecentrum wanneer de koelkast moet worden gerepareerd of opnieuw moet worden geïnstalleerd.
  - Als u dit nalaat, kan dat leiden tot elektrische schokken, brand, problemen met het product of lichamelijk letsel.



- 
- Als u een brandlucht of rook uit de koelkast waarneemt, trekt u onmiddellijk de stekker van de koelkast uit het stopcontact en neemt u contact op met het servicecentrum van Samsung Electronics.
    - Als u dit niet doet, kan dat leiden tot brand of elektrische schokken.
  - Trek de stekker uit het stopcontact voordat u het lampje in de koelkast vervangt.
    - Anders loopt u het risico op een elektrische schok.
  - Als u problemen ondervindt bij het vervangen van een niet-LED-lampje, dient u contact op te nemen met het Samsung-servicebedrijf.
  - Steek de stekker stevig in het stopcontact.
  - Gebruik geen beschadigde stekker, beschadigd netsnoer of een loszittend stopcontact.
    - Elektrische schokken en brand kunnen het gevolg zijn.

## Let op bij het gebruik

---

### **LET OP**

- Vries ontdooide etenswaren niet opnieuw in.
  - Schadelijke bacteriën kunnen zich in ingevroren en ontdooide etenswaren sneller ontwikkelen dan in verse etenswaren.
  - Wanneer etenswaren een tweede keer worden ontdooid, worden nog meer cellen afgebroken, waardoor er vocht uit wordt onttrokken en de integriteit van het product verandert.

## Veiligheidsinformatie

---

- Laat vleeswaren niet bij kamertemperatuur ontdooien.
  - De veiligheid is afhankelijk van of het rauwe product op de juiste manier is verwerkt.
- Plaats geen glazen flessen of koolzuurhoudende dranken in de vriezer.
  - Het voorwerp kan bevriezen en breken, wat kan leiden tot letsel.
- Gebruik uitsluitend de ijsblokjesmaker die bij de koelkast is geleverd.
- Ga als volgt te werk om ervoor te zorgen dat uw product optimaal presteert:
  - Plaats geen etenswaren te dicht bij de luchtgaten achter in de koelkast, aangezien dit de vrije luchtcirculatie in het koelkastcompartiment kan belemmeren.
  - Dek de etenswaren goed af of plaats deze in luchtdichte bakjes voordat u de etenswaren in de koelkast zet.
  - Houd de maximale bewaartijd en houdbaarheidsdatum van bevroren voedsel goed in de gaten.
  - De koelkast hoeft niet van de stroomvoorziening te worden verwijderd als u korter dan drie weken afwezig bent. Als u echter langer dan drie weken afwezig bent, verwijder dan alle etenswaren en het ijs uit de ijsemmer, haal de stekker uit het stopcontact, sluit de waterklep, verwijder het overtollige vocht aan de binnenkant en laat de deuren open om geurtjes en schimmel te voorkomen.

- 
- Garantie en wijzigingen.
    - Wijzigingen of aanpassingen die door derden zijn verricht aan dit kant-en-klare apparaat worden niet gedekt door de garantieservice van Samsung. Samsung is tevens niet verantwoordelijk voor veiligheidskwesties die resulteren uit aanpassingen door derden.
  - Zorg dat de luchtopeningen in de koelkast niet worden geblokkeerd.
    - Als de luchtopeningen geblokkeerd zijn, vooral door een plastic zak, kan de koelkast te zeer afkoelen.
  - Verwijder het overtollige vocht aan de binnenkant en laat de deuren open.
    - Anders kunnen er geurtjes en schimmels ontstaan.
  - Als de stekker van de koelkast uit het stopcontact is gehaald, hoort u ten minste vijf minuten te wachten voordat u deze weer aansluit.
  - Als de koelkast nat is geworden door water, trekt u de stekker uit het stopcontact en neemt u contact op met het servicecenter van Samsung Electronics.
  - Pas geen schokken of sterke krachten toe op glazen oppervlakken.
    - Gebroken glas kan leiden tot lichamelijk letsel en/of eigendomsschade.
  - Pas op dat uw vingers niet bekneld raken.
  - Als de koelkast overstroomt, neemt u contact op met het dichtstbijzijnde servicecentrum.
    - Er bestaat het risico op een elektrische schok of brand.

## Veiligheidsinformatie

---

- Bewaar geen plantaardige olie in de deurbakken van de koelkast. De olie kan hard worden, waardoor deze vies gaat smaken en lastig te gebruiken is. Bovendien kan de open bak lekken en de gelekte olie kan de deurbak doen scheuren. Nadat een olieverpakking is geopend, kunt u deze het best op een koele, donkere plek bewaren, zoals een voorraadkast.
  - Voorbeelden van plantaardige olie: olijfolie, zonnebloemolie, raapzaadolie etc.

## Waarschuwingen voor het schoonmaken

---

### LET OP

- Sproei geen water rechtstreeks op de binnen- of buitenkant van de koelkast.
  - Er bestaat een risico op brand of een elektrische schok.
- Gebruik geen föhn om de binnenkant van de koelkast te drogen.
- Plaats geen aangestoken kaars in de koelkast om vieze geurtjes te verwijderen.
  - Elektrische schokken en brand kunnen het gevolg zijn.
- Spuit geen reinigingsproducten rechtstreeks op het display.
  - De letters op het display kunnen loslaten.
- Neem de stekker uit het stopcontact en neem contact op met uw dichtstbijzijnde servicecentrum als er vreemde voorwerpen of vloeistoffen zoals water in het apparaat terecht zijn gekomen.
  - Als u dit niet doet, kan dit leiden tot een elektrische schok of brand.

- 
- Gebruik een schone, droge doek om vreemd materiaal of stof van de bladen van de stekker te verwijderen. Gebruik geen natte of vochtige doek bij het reinigen van de stekker.
    - Anders bestaat het risico op een elektrische schok of brand.
  - Maak het product niet schoon door rechtstreeks water op het product te sproeien.
  - Gebruik geen wasbenzine, verdunner of chloorhoudende producten om het apparaat te reinigen.
    - Deze kunnen het oppervlak van het apparaat beschadigen en brand veroorzaken.
  - Haal de stekker van het apparaat uit het stopcontact voordat u het apparaat reinigt of onderhoudswerkzaamheden verricht.
    - Als u dit niet doet, kan dit leiden tot een elektrische schok of brand.
  - Gebruik een schone spons of zachte doek en een mild schoonmaakmiddel met warm water om de koelkast schoon te maken.
  - Gebruik geen schurende of scherpe schoonmaakmiddelen, zoals glasreiniger, schuursponsjes, brandbare vloeistoffen, zoutzuur, schoonmaakwas, geconcentreerde wasmiddelen, bleek of schoonmaakmiddelen op basis van petroleum op de buitenste oppervlakken (deur en kast), plastic onderdelen, deur- en interieurbekleding en pakkingen.
    - Deze kunnen het materiaal krassen of beschadigen.

## Veiligheidsinformatie

---

- Reinig de glazen planken of deksels niet met warm water wanneer ze koud zijn. Glazen planken en deksels kunnen breken als ze worden blootgesteld aan plotselinge temperatuurwisselingen of stoten/vallen.

### Belangrijke waarschuwingen met betrekking tot het verwijderen

---

#### WAARSCHUWING

- Gooi het verpakkingsmateriaal van dit product op een milieuvriendelijke manier weg.
- Controleer of de leidingen aan de achterkant van de koelkast niet beschadigd zijn voordat u het apparaat afvoert.
- Bij het afvoeren van deze koelkast, dient u de deur/ deurafdichtingen en deurklink te verwijderen, zodat kleine kinderen of dieren er niet in kunnen worden opgesloten. Kinderen mogen het apparaat uitsluitend onder toezicht gebruiken om te voorkomen dat ze ermee gaan spelen. Als een kind in een koelkast opgesloten komt te zitten, kan het letsel oplopen of stikken.
  - Als een kind in een koelkast opgesloten komt te zitten, kan het stikken.
- Cyclopentaan wordt gebruikt in de isolatie. De gassen in het isolatiemateriaal vereisen een speciale verwijderingsprocedure. Neem contact op met de plaatselijke autoriteiten met betrekking tot het milieuvriendelijk verwijderen van dit product.

- 
- Houd al het verpakkingsmateriaal ver buiten het bereik van kinderen, aangezien verpakkingsmateriaal gevaarlijk kan zijn voor kinderen.
    - Als een kind een zak over het hoofd trekt, kan het kind stikken.

### **Aanvullende tips voor correct gebruik**

---

- Bel bij een stroomstoring met de lokale vestiging van uw elektriciteitsbedrijf en vraag hoe lang de storing gaat duren.
  - De meeste stroomstoringen die binnen een uur of twee zijn verholpen, hebben geen gevolgen voor de temperatuur in uw koelkast. Probeer de deuren echter zo weinig mogelijk open te doen tijdens een stroomstoring.
  - Als de stroomstoring langer dan 24 uur duurt, verwijdert u al het ingevroren voedsel en gooit u het weg.
- De koelkast kan mogelijk niet consistent koelen (bevroren inhoud kan ontdooien of de temperatuur in de vriezer wordt te hoog) als deze langere tijd op een plek staat waar de omgevingstemperatuur constant lager is dan de temperatuur waarvoor de koelkast is ontworpen.
- Koeling kan een nadelig effect op de conservering van bepaalde etenswaren hebben.
- Uw apparaat is vorstvrij. Dit betekent dat u uw apparaat niet zelf hoeft te ontdooien. Dit wordt automatisch gedaan.

## Veiligheidsinformatie

---

- Een temperatuurstijging tijdens het ontdooien voldoet aan ISO-vereisten. Als u wilt voorkomen dat het bevroren voedsel te warm wordt tijdens het ontdooien van het apparaat, moet u het bevroren voedsel in meerdere lagen krantenpapier wikkelen.
- Vries voedsel dat al volledig is ontdooid, niet opnieuw in.
- De temperatuur in een vriesvak met twee sterren of een compartiment met een tweesterrensymbool (☆☆) ligt enigszins hoger dan in andere vriesvakken. De vriesvakken of compartimenten met twee sterren zijn gebaseerd op de instructie en/of toestand bij aflevering.



---

## Instructies over de AEEA-richtlijn

---



Correcte verwijdering van dit product (elektrische & elektronische afvalapparatuur)  
(Van toepassing in landen waar afval gescheiden wordt ingezameld)

Dit merkteken op het product, de accessoires of het informatiemateriaal duidt erop dat het product en zijn elektronische accessoires (bv. lader, headset, USB-kabel) niet met ander huishoudelijk afval verwijderd mogen worden aan het einde van hun gebruiksduur. Om mogelijke schade aan het milieu of de menselijke gezondheid door ongecontroleerde afvalverwijdering te voorkomen, moet u deze artikelen van andere soorten afval scheiden en op een verantwoorde manier recycelen, zodat het duurzame hergebruik van materiaalbronnen wordt bevorderd.

Huishoudelijke gebruikers moeten contact opnemen met de winkel waar ze dit product hebben gekocht of met de gemeente waar ze wonen om te vernemen waar en hoe ze deze artikelen milieuvriendelijk kunnen laten recycelen.

Zakelijke gebruikers moeten contact opnemen met hun leverancier en de algemene voorwaarden van de koopovereenkomst nalezen. Dit product en zijn elektronische accessoires mogen niet met ander bedrijfsafval voor verwijdering worden gemengd.

Ga voor informatie over de milieufafspraken en productspecifieke wettelijke verplichtingen van Samsung, zoals REACH, WEEE en m.b.t. accu's, naar onze duurzaamheidspagina via [www.samsung.com](http://www.samsung.com).

(Geldt alleen voor producten die worden verkocht in Europese landen en in de VK.)

# Installatie

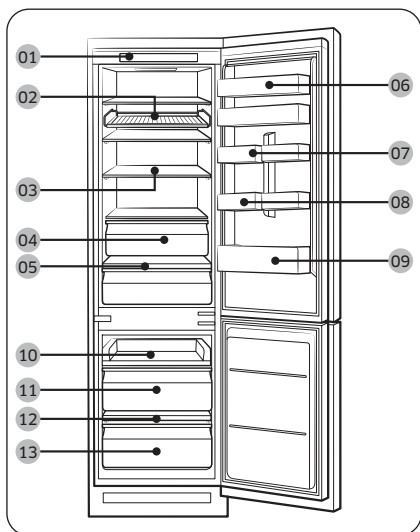
Volg vóór gebruik deze instructies zorgvuldig op om een goede installatie van deze koelkast te garanderen en om ongelukken te voorkomen.

## ⚠ WAARSCHUWING

- Gebruik de koelkast alleen voor de doeleinden waarvoor deze is ontworpen, zoals beschreven in deze handleiding.
- Eventuele reparatiewerkzaamheden moeten worden verricht door een gekwalificeerde monteur.
- Voer het verpakkingsmateriaal van het product in overeenstemming met de plaatselijke regelgeving af.
- Haal voor onderhoud of vervanging de stekker uit het stopcontact om elektrische schokken te voorkomen.

## Overzicht van de koelkast

Het werkelijke uiterlijk en de meegeleverde onderdelen van uw koelkast kunnen afwijken, afhankelijk van het model en het land.



- 01 Bedieningspaneel
  - 02 Wijnrek \*
  - 03 Koelkastlegger \*
  - 04 Koelkastlade \*
  - 05 Groentelegger \*
  - 06 Bovenste deurbak \*
  - 07 Deurbak Diversen
  - 08 Eierhouder \*
  - 09 Deurbak van koelkast
  - 10 Uitschuifbare legger
  - 11 Middelste vriezerlade
  - 12 Vriezerlegger \*
  - 13 Onderste vriezerlade
- \* alleen bepaalde modellen

## 📖 OPMERKING

- Voor een optimale energie-efficiëntie laat u alle schappen, laden en manden op de oorspronkelijke positie.
- Alleen voor modellen met een vriezerlegger:
  - Gebruik de vriezer met de onderste lade eruit als u snel grote hoeveelheden etenswaren wilt invriezen.
  - Als u meer ruimte nodig hebt, kunt u de uitschuifbare legger (10) en twee vriesladen (11, 13) eronder verwijderen, maar laat de vriezerlegger op de bovenste lade van de vriezer. Dit heeft geen gevolgen voor de thermische en mechanische eigenschappen. De aangegeven opslagcapaciteit van het compartiment voor bevroren etenswaren is berekend zonder de legger en vriezerladen.

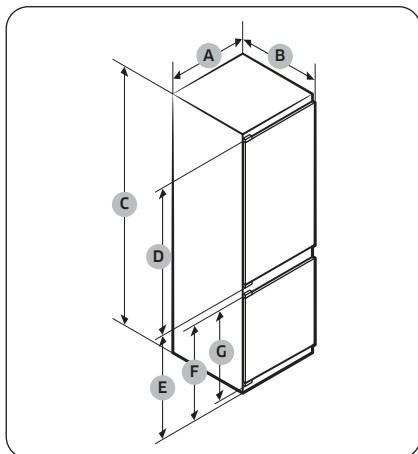
## Stapsgewijze installatie

### STAP 1 Een locatie selecteren

Vereisten voor locatie:

- Een harde, vlakke ondergrond zonder vloerbedekking of andere ventilatiebelemmeringen
- Buiten direct zonlicht
- Voldoende ruimte voor het openen en sluiten van de deur
- Uit de buurt van een warmtebron
- Ruimte voor onderhoud en service

Productafmetingen

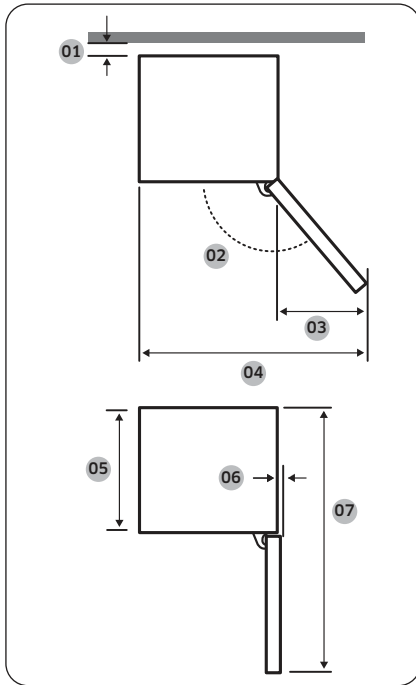


|   | BRB***26"        | BRB***30"        |
|---|------------------|------------------|
| A | 540±2            | 540±2            |
| B | 550±2 (met deur) | 550±2 (met deur) |
| C | 1775±2           | 1935±2           |
| D | 987              | 1147             |
| E | 735              | 735              |
| F | 671              | 671              |
| G | 621              | 621              |

(eenheid: mm)

# Installatie

## Totale productafmeting



| Model | BRB*****S0<br>SCHUIFTYPE    | BRB*****FO<br>VAST TYPE |
|-------|-----------------------------|-------------------------|
| 01 *  | 10 (min.) / 30 (aanbevolen) |                         |
| 02    | 95° (aanbevolen)            | 115° (aanbevolen)       |
| 03    | 218                         | 180                     |
| 04    | 758                         | 700                     |
| 05    | 510                         | 510                     |
| 06    | 1                           | 5                       |
| 07    | 1055                        | 1055                    |

\* 01: Van de omkasting tot de achterkant van het product

(eenheid: mm)

### OPMERKING

- Het genoemde energieverbruik is op basis van een afstand van 10 mm tussen de omkasting en de achterkant van het product. Het product werkt ook goed als de afstand minder dan 10 mm is, maar verbruikt dan iets meer energie.
- We raden aan een omkasting te gebruiken met panelen van 18 mm dik en scharnieren minder dan 20 mm dik.

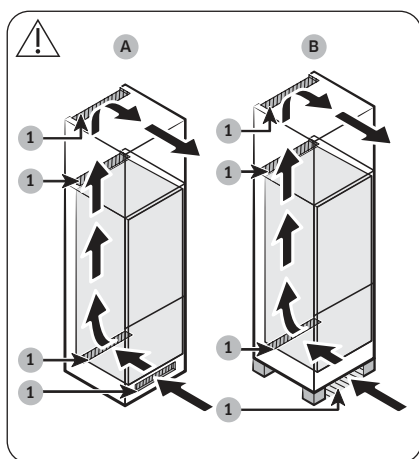
### OPMERKING

- De metingen in de bovenstaande tabel kunnen afwijken, afhankelijk van de meetmethode.
- Zie de installatiehandleiding voor informatie over installatie van het inbouwmodel.

## Ventilatiesysteem van de omkasting

Zoals weergegeven in de afbeelding circuleert de lucht die door de koelkast wordt aangezogen via het aangegeven ventilatietraject door de omkasting (zie pijlrichting). De omkasting moet zo worden geconstrueerd dat er ten minste 200 cm<sup>2</sup> (BxH: 500 mm x 40 mm) ruimte is rond de luchtinlaat en de ventilatieopening. Ook dient er aan de onderzijde van de omkasting ten minste 200 cm<sup>2</sup> (BxH: 500 mm x 40 mm) ruimte vrij te zijn rond de ventilatieopening aan de achterzijde.

Luchtinlaat

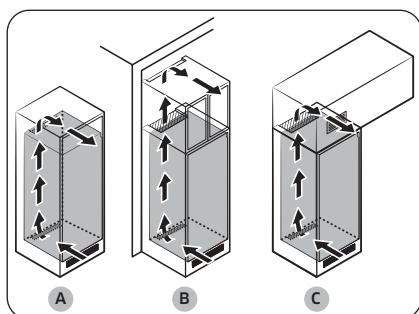


|   |                     |
|---|---------------------|
| 1 | 200 cm <sup>2</sup> |
|---|---------------------|

Afhankelijk van uw omkastingstype moet de luchtinlaat op dezelfde of een vergelijkbare plek gepositioneerd zijn als in de onderstaande voorbeelden.

- A. Een opening voor de luchtinlaat in de omkasting.
- B. Een omkasting op poten.

Ventilatieopening



Afhankelijk van uw omkastingstype moet de ventilatieopening op dezelfde of een vergelijkbare plek gepositioneerd zijn als in de onderstaande voorbeelden.

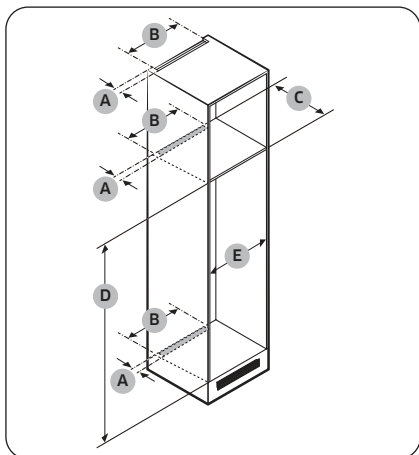
- A. Direct boven de koelkast, in combinatie met een optioneel ventilatierooster.
- B. Nabij het plafond van de omkasting.
- C. Boven de koelkast, waarbij een afzonderlijke ventilatieopening wordt aangebracht.

### ⚠ LET OP

Het luchtventilatiesysteem mag niet worden geblokkeerd, ongeacht het kastontwerp.

# Installatie

## Afmetingen van de omkasting



### ⚠ LET OP

Als de omkasting is voorzien van een deur, zorg er dan voor dat de deur niet te zwaar is om te voorkomen dat deze kan kantelen of losraken.

| Deur van de omkasting | Dikte (mm) | Gewicht (kg) |
|-----------------------|------------|--------------|
| Koelkastgedeelte      | Min. 16    | Max. 18      |
| Vriezergedeelte       | Max. 19    | Max. 12      |

Defecten van het product die het gevolg zijn van de hieronder genoemde oorzaken, worden niet gedekt door de garantie.

1. Onwenselijke omstandigheden op de plaatsingslocatie of onjuiste afmetingen van de omkasting.
2. Defecten van de omkasting.
3. Fouten die zijn gemaakt door de installateur of de gebruiker.

## Vrije ruimte

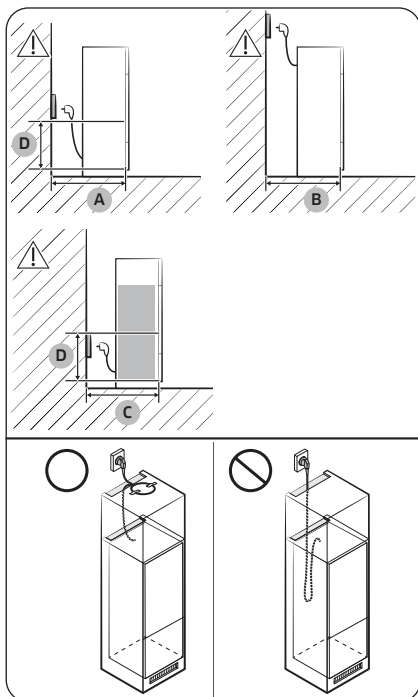
Zie de foto's en tabel hieronder voor de benodigde ruimte voor de installatie.

| Model                      |            | A (mm) | B (mm) | C (mm) | D (mm) | E (mm) | Opmerking        |
|----------------------------|------------|--------|--------|--------|--------|--------|------------------|
| BRB***26**S0<br>SCHUIFTYPE | Min.       | 40     | 500    | 560    | 1778   | 560    |                  |
|                            | Aanbevolen |        |        | 580    | 1780   | 562    |                  |
|                            | Max.       |        |        | -      | 1782   | 568    |                  |
| BRB***26**F0<br>VAST TYPE  | Min.       | 40     | 500    | 560    | 1778   | 555    | Scharnier: 17 mm |
|                            | Aanbevolen |        |        | 580    | 1780   | 562    |                  |
|                            | Max.       |        |        | -      | 1782   | 568    |                  |
| BRB***30**S0<br>SCHUIFTYPE | Min.       | 40     | 500    | 560    | 1938   | 560    |                  |
|                            | Aanbevolen |        |        | 580    | 1940   | 562    |                  |
|                            | Max.       |        |        | -      | 1942   | 568    |                  |
| BRB***30**F0<br>VAST TYPE  | Min.       | 40     | 500    | 560    | 1938   | 555    | Scharnier: 17 mm |
|                            | Aanbevolen |        |        | 580    | 1940   | 562    |                  |
|                            | Max.       |        |        | -      | 1942   | 568    |                  |

### **OPMERKING**

- Als de breedte van een omkasting groter is dan 568 mm, kan de pakking (tussen de koelkast en de omkasting) losraken.
- Als de omkasting hoger is dan de maximale afmetingen (1782 mm) moet u andere afwerkingsmaterialen gebruiken om de afstand op te vullen.

Overweging voor de locatie van stopcontacten en vereiste ruimte



|   |          |
|---|----------|
| A | Min. 590 |
| B | Min. 560 |
| C | Min. 580 |
| D | 240      |

(eenheid: mm)

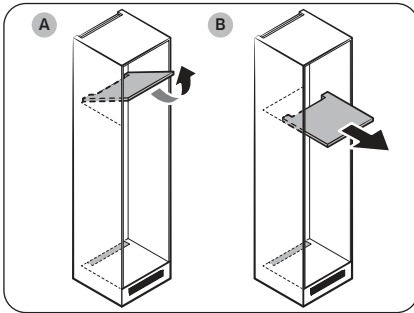
### **OPMERKING**

Wanneer u de koelkast in een omkasting met een diepte van 560 mm plaatst, moet u zorgen dat de stroomkabel aan de zijkant van de koelkast hangt voordat u de stekker in het stopcontact steekt. Als de stroomkabel aan de achterzijde van de koelkast hangt, kan dit de energie-efficiëntie negatief beïnvloeden.

# Installatie

## Type omkasting

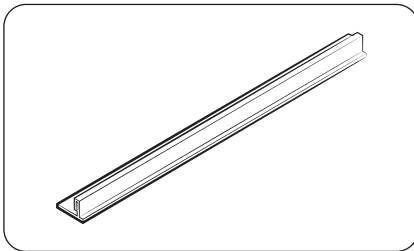
Het wordt aanbevolen om een van de volgende omkastingstypes te gebruiken:



### OPMERKING

Als een van de genoemde omkastingstypes wordt gebruikt, hoeft de hoofdeenheid niet uit de omkasting verwijderd te worden wanneer een defecte hoofd-PBA moet worden gerepareerd. Indien een ander omkastingstype wordt gebruikt, moet de hoofdeenheid wel worden verwijderd in geval van reparaties.

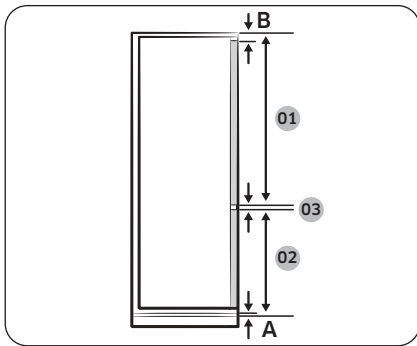
- A. Kanteltype
- B. Schuiftype



### OPMERKING

- Het gebruik van een omkasting van een ander formaat dan is aanbevolen kan ervoor zorgen dat de deurpakking tussen de koelkast en de omkasting los zit nadat de koelkast in de omkasting is geplaatst.





#### OPMERKING

Als u een omkasting wilt installeren met een opening van 3 mm (03), raadpleegt u de onderstaande referentietabel.

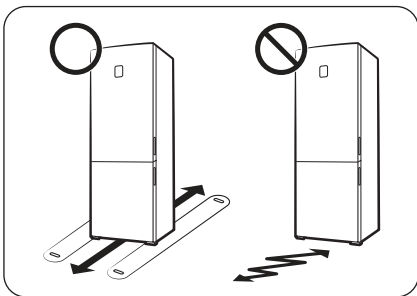
| Model | BRB***26**S0<br>SCHUIFTYPE                        | BRB***26**F0<br>VAST TYPE  |
|-------|---|----------------------------|
| 01    | Min. 1041+B<br>Max. 1102+B                        | Min. 1063+B<br>Max. 1076+B |
| 02    | Min. 670+A<br>Max. 731+A                          | Min. 696+A<br>Max. 709+A   |
| 03    | 3 mm<br>(afstand tussen koelkast- en vriezerdeur) |                            |

| Model | BRB***30**S0<br>SCHUIFTYPE                        | BRB***30**F0<br>VAST TYPE  |
|-------|---|----------------------------|
| 01    | Min. 1204+B<br>Max. 1262+B                        | Min. 1223+B<br>Max. 1236+B |
| 02    | Min. 670+A<br>Max. 731+A                          | Min. 696+A<br>Max. 709+A   |
| 03    | 3 mm<br>(afstand tussen koelkast- en vriezerdeur) |                            |

- A. Onderste rand van het voorpaneel boven de luchtventilatie
- B. Overhangend gedeelte bovenkant voorpaneel

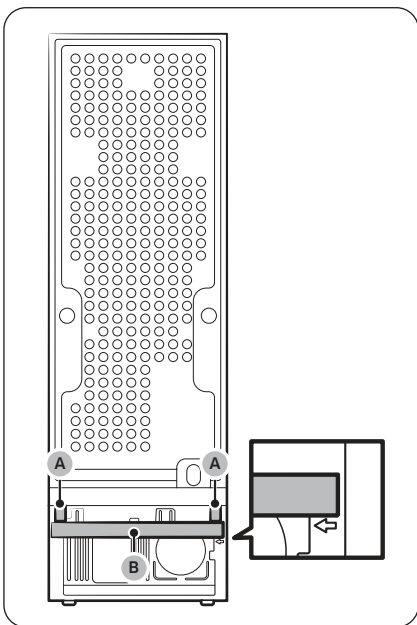
# Installatie

## STAP 2 Ondergrond



- Het installatieoppervlak van de koelkast moet een volledig gevulde koelkast kunnen dragen.
- Als u de vloer wilt beschermen, legt u een groot stuk karton onder elke steloot van de koelkast.
- Verplaatst de koelkast niet meer wanneer deze op de definitieve positie staat, tenzij het noodzakelijk is om de vloer te beschermen. Gebruik in dat geval dik papier of een kleed, zoals een oud tapijt op het pad waarlangs u de koelkast verplaatst.

## STAP 3 Tussenafstand (alleen bepaalde modellen)



Bevestig de meegeleverde **tussenstukken (A)** en de **spons (B)** zoals weergegeven in de afbeelding voor optimale energie-efficiëntie.

### ⚠ LET OP

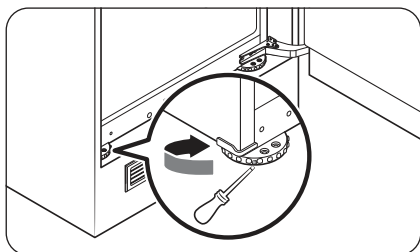
Als de koelkast niet gelijk staat met de omkasting, kunt u de tussenstukken bijsnijden om ervoor te zorgen dat koelkast en omkasting gelijk staan. Er kan dan echter geen optimale energie-efficiëntie worden gegarandeerd.

## STAP 4 De stelpoten afstellen

### ⚠ LET OP

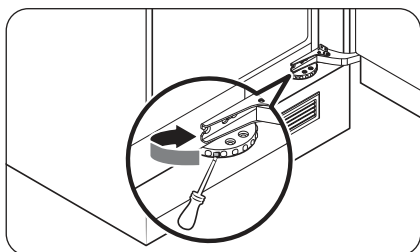
- De koelkast moet waterpas staan op een vlakke, stevige ondergrond. Wanneer u dit niet doet, kan dit leiden tot schade aan de koelkast of lichamelijk letsel.
- De koelkast moet leeg zijn wanneer u deze waterpas stelt. Zorg dat er geen etenswaren in de koelkast achterblijven.

De koelkast kan met behulp van de speciale schroef (regelaar) van de voorste stelpoten waterpas worden gesteld. Gebruik een platte schroevendraaier voor het waterpas stellen.



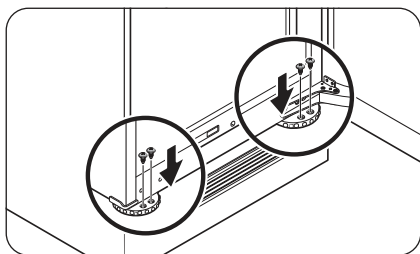
### De hoogte van de linkerzijde afstellen:

steek een platte schroevendraaier in de regelaar van de voorste stelmaat links van de koelkast. Draai de regelaar naar rechts om de koelkast hoger en linksom om deze lager te zetten.



### De hoogte van de rechterzijde afstellen:

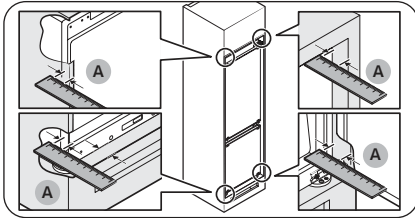
steek een platte schroevendraaier in de regelaar van de voorste stelmaat rechts van de koelkast. Draai de regelaar naar rechts om de koelkast hoger en linksom om deze lager te zetten.



### 📖 OPMERKING

Houd 41 mm (A: zowel voor het schuifscharnier als voor het vaste scharnier) vrij tussen de koelkast en de ombouw of nis. Zet daarna de voorste poten vast met behulp van de schroeven.

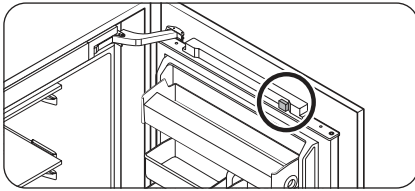
# Installatie



## STAP 5 Eerste instelling

Als u de volgende stappen uitvoert, is de koelkast volledig gebruiksklaar.

1. Verwijder het PE-schuim waarmee elke hoek is afgedekt, en dat bedoeld is om de koelkast te beschermen tijdens vervoer.
2. Open de deur en controleer of de binnenverlichting aan gaat.
3. Verwijder het PE-schuim van de magneet aan de bovenkant van de deur.



4. Zet de temperatuur op de koudste temperatuur en wacht ongeveer een uur. De vriezer wordt dan langzamerhand koud en de motor draait gelijkmatig.
5. Wacht totdat de koelkast de ingestelde temperatuur heeft bereikt. De koelkast is nu klaar voor gebruik.

### OPMERKING

Wanneer de koelkast wordt ingeschakeld, klinkt het alarm. Schakel het alarm uit door de drukken op Freezer (Vriezer) of Fridge (Koelkast).

---

## STAP 6 Temperatuuralarm (alleen bepaalde modellen)

---

### Type 1

- Op de temperatuurweergave van de koelkast knippert '-' met een alarm als het vriezercompartiment te warm is. Dat kan gebeuren als de vriezer te warm is geworden na een stroomstoring.
- Als dat gebeurt, drukt u op **Freezer (Vriezer)** of **Fridge (Koelkast)**. De warmere temperatuur wordt 5 seconden weergegeven. Vervolgens wordt de huidige temperatuur weergegeven. Als u het alarm wilt deactiveren, drukt u op **Door Alarm (Deuralarm)**.

### Type 2

- De temperatuurindicator van de koelkast knippert met een alarm als het vriezercompartiment te warm is. Dat kan gebeuren als de vriezer te warm is geworden na een stroomstoring. Deactiveer het alarm door te drukken op **Freezer (Vriezer)** of **Fridge (Koelkast)**.

## STAP 7 Eindcontrole

---

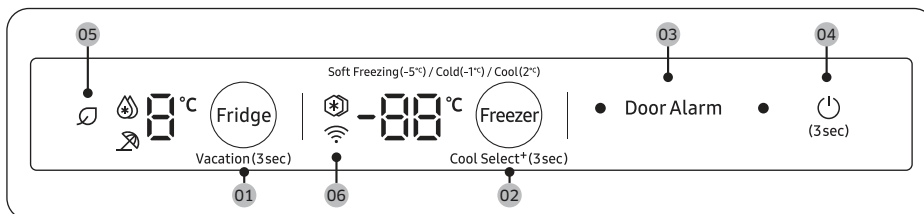
Wanneer de installatie is voltooid, controleert u of:

- De stekker van de koelkast in een goed geaard stopcontact zit.
- De koelkast op een vlakke en egale ondergrond is geïnstalleerd met een redelijke afstand tot de muur of de kast.
- De koelkast waterpas en stevig in de ombouw staat.
- De deur makkelijk open en dicht gaat, en of de binnenverlichting automatisch aan gaat als u de deur opent.

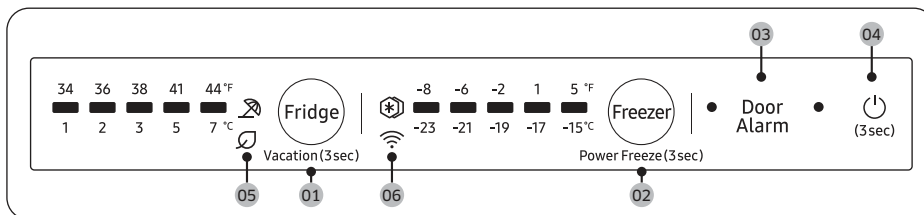
# Bediening

## Hoofdpaneel

### TYPE 1



### TYPE 2



01 Fridge (Koelkast) / Vacation (Vakantie)

02 Freezer (Vriezer) /  
Power Freeze (Snelvriezen) / Cool Select+ \*

03 Door Alarm (Deuralarm)

04 (Aan/Uit)

05 AI Energy Mode

06 Netwerkverbinding

\* alleen bepaalde modellen

### OPMERKING





De LED-indicatielampjes gaan allemaal tegelijk aan wanneer de deur open is en allemaal uit wanneer de deur wordt gesloten.

## 01 Koelkast / Vakantie (3 sec)

|                     |   |
|---------------------|---|
| Fridge (Koelkast)   | <p>Als u de temperatuur van de koelkast wilt aanpassen, drukt u op <b>Fridge (Koelkast)</b> om de overeenkomstige temperatuur te selecteren.</p> <p>U kunt de temperatuur instellen tussen 1 °C en 7 °C (standaard: 3 °C).</p> <p><b>Snelkoelen (Type 1)</b></p> <p>Met Power Cool (Snelkoelen) wordt het koelproces op maximale ventilatorsnelheid versneld. De koelkast blijft twee en een half uur op maximale snelheid draaien en keert vervolgens terug naar de vorige temperatuur.</p> <ul style="list-style-type: none"><li>• Om Power Cool (Snelkoelen) te activeren, selecteert u temperatuur 1 °C en drukt u op <b>Fridge (Koelkast)</b> om Power Cool (Snelkoelen) te selecteren. Het overeenkomstige indicatielampje (🔆) gaat branden en de koelkast zal het koelproces voor u versnellen.</li><li>• Als u Power Cool (Snelkoelen) wilt deactiveren, drukt u opnieuw op <b>Fridge (Koelkast)</b>. De temperatuur van de koelkast wordt vervolgens teruggezet naar 7 °C.</li></ul> <p><b>ⓘ OPMERKING</b></p> <p>Het gebruik van Power Cool (Snelkoelen) verhoogt het energieverbruik. Zorg dat u deze functie uitschakelt en terugkeert naar de vorige temperatuur als u niet van plan bent deze te gebruiken.</p> |
| Vacation (Vakantie) | <ul style="list-style-type: none"><li>• Gebruik de functie Vacation (Vakantie) als u op vakantie of op zakenreis gaat, of van plan bent om de koelkast een lange tijd niet te gebruiken. De temperatuur van de koelkast wordt onder de 17 °C gehouden, maar de vriezer blijft actief volgens de eerdere instellingen.</li><li>• Als u de modus Vacation (Vakantie) wilt activeren of deactiveren, houdt u <b>Fridge (Koelkast)</b> 3 seconden ingedrukt.</li></ul> <p><b>ⓘ OPMERKING</b></p> <ul style="list-style-type: none"><li>• Haal de koelkast leeg voordat u de vakantiemodus inschakelt.</li><li>• De modus Vacation (Vakantie) wordt uitgeschakeld als u de temperatuur aanpast.</li></ul>  |

# Bediening

## 02 Vriezer / Snelvriezen (3 sec) / Cool Select+ (3 sec)

|                            |  |
|----------------------------|--|
| Freezer (Vriezer)          | <p>Met de knop <b>Freezer (Vriezer)</b> kunt u de temperatuur in de vriezer instellen. Mogelijke temperaturen liggen tussen -15 °C en -23 °C (standaard: -19 °C).</p> <p> <b>OPMERKING</b></p> <p>U kunt de temperatuur niet wijzigen in de modus Cool Select+.</p>   |
| Power Freeze (Snelvriezen) | <p>Met Power Freeze (Snelvriezen) wordt het vriesproces op maximale ventilatorsnelheid versneld. De vriezer blijft 50 uur op maximale snelheid draaien en keert vervolgens terug naar de vorige temperatuur. Als u een grote hoeveelheid voedingsmiddelen wilt invriezen, activeer Power Freeze (Snelvriezen) dan ten minste 20 uur voordat u voedsel in de vriezer plaatst.</p> <p><b>Type 1</b></p> <ul style="list-style-type: none"><li>• Om Power Freeze (Snelvriezen) te activeren, selecteert u temperatuur -23 °C en drukt u op <b>Freezer (Vriezer)</b> om Power Freeze (Snelvriezen) te selecteren. Het overeenkomstige indicatielampje (  ) gaat branden en de koelkast zal het vriesproces voor u versnellen.</li><li>• Wanneer het proces Power Freeze (Snelvriezen) voltooid is, gaat het overeenkomstige indicatielampje uit en schakelt de vriezer terug naar de vorige temperatuurinstelling.</li><li>• Als u Power Freeze (Snelvriezen) wilt deactiveren, drukt u opnieuw op <b>Freezer (Vriezer)</b>. De vriezer keert terug naar de vorige temperatuurinstelling.</li></ul> <p><b>Type 2</b></p> <ul style="list-style-type: none"><li>• Als u Power Freeze (Snelvriezen) wilt activeren, houdt u <b>Freezer (Vriezer)</b> 3 seconden ingedrukt om Power Freeze (Snelvriezen) te selecteren. Het overeenkomstige indicatielampje (  ) gaat branden en de koelkast zal het vriesproces voor u versnellen.</li><li>• Als u Power Freeze (Snelvriezen) wilt deactiveren, houdt u <b>Freezer (Vriezer)</b> opnieuw 3 seconden ingedrukt. De vriezer keert terug naar de vorige temperatuurinstelling en het indicatielampje gaat uit.</li></ul> <p> <b>OPMERKING</b></p> <p>Het gebruik van Power Freeze (Snelvriezen) leidt tot een hoger stroomverbruik. Zorg dat u deze functie uitschakelt en terugkeert naar de vorige temperatuur als u niet van plan bent deze te gebruiken.</p> |



|                          |  |
|--------------------------|--|
| Cool Select+<br>(Type 1) | <p>Telkens wanneer u <b>Cool Select+</b> 3 seconden ingedrukt houdt, verandert de bedrijfsmodus in deze volgorde:<br/>Freeze (Vriezen) → Soft Freezing (Licht vriezen) (-5 °C) → Cold (Koud) (-1 °C) → Cool (Koel) (2 °C)</p> <p><b>⚠ LET OP</b></p> <ul style="list-style-type: none"> <li>• Als u de modus verandert van Freezer (Vriezer) naar Cool Select+, kan bewaard voedsel sap of vloeistof lekken.</li> <li>• Bewaar vlees of vis niet lang in de modus Cool Select+. Het voedsel kan dan bevriezen of bederven door een verkeerde temperatuurinstelling.</li> <li>• Als de koelkast weer stroom krijgt na een periode van inactiviteit, kunnen de instellingen voor Cool Select+ zijn teruggezet naar de fabrieksinstellingen. Controleer de instellingen van Cool Select+ voordat u de koelkast gaat gebruiken.</li> </ul> |
|--------------------------|--|

### 03 Deuralarm

|                           |   |
|---------------------------|---|
| Door Alarm<br>(Deuralarm) | <p>U kunt het alarm instellen voor een herinnering. Als de deur meer dan 2 minuten open is, klinkt het alarm en gaat het indicatielampje Alarm knipperen.</p> <p>U kunt het alarm in- of uitschakelen door op <b>Door Alarm (Deuralarm)</b> te drukken.</p> |
|---------------------------|---|

### 04 (Aan/Uit)

Als u de koelkast wilt inschakelen, houdt u  3 seconden ingedrukt.

Als u  opnieuw 3 seconden ingedrukt houdt, gaat de koelkast en ook het licht uit.

### 05 AI Energy Mode (alleen bepaalde modellen)

Het pictogram  wordt weergegeven als de AI Energy Mode is ingeschakeld. U kunt de AI Energy Mode in- of uitschakelen in de SmartThings-app. (alleen bepaalde modellen)

# Bediening

## 06 Netwerkverbinding (alleen bepaalde modellen)

U kunt uw koelkast bedienen en monitoren via de SmartThings-app. Zie voor meer informatie het gedeelte SmartThings (alleen bepaalde modellen).

### **OPMERKING**

Als de koelkast niet is verbonden met de SmartThings-app, knippert het Wi-Fi-pictogram (📶) om u te waarschuwen. Als u het knipperende Wi-Fi-pictogram ziet (📶), raden we u aan om uw koelkast te verbinden met de SmartThings-app.

## De Wi-Fi in- of uitschakelen (alleen bepaalde modellen)

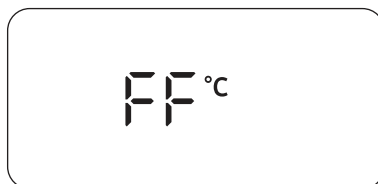
### Type 1

Voor het in- of uitschakelen van de Wi-Fi, houdt u **Fridge (Koelkast)** 10 seconden ingedrukt. Het display geeft gedurende 5 seconden de status van de Wi-Fi weer (zoals weergegeven in de afbeelding).

Wi-Fi aan



Wi-Fi Uit



### Type 2

Voor het in- of uitschakelen van de Wi-Fi, houdt u **Fridge (Koelkast)** 10 seconden ingedrukt. Het pictogram Wi-Fi (📶) geeft de status van de Wi-Fi weer, zoals hieronder weergegeven.

- Wi-Fi uit: Het Wi-Fi-pictogram (📶) knippert 5 seconden en gaat dan uit.
- Wi-Fi aan: Het Wi-Fi-pictogram (📶) knippert gedurende 5 seconden en gaat vervolgens gedurende 5 seconden aan.

### **OPMERKING**

- Wanneer u de Wi-Fi instelt om de koelkast met de SmartThings-app te verbinden, wordt de aan/uit-functie van de Wi-Fi ingeschakeld.
- Zie voor meer informatie het gedeelte SmartThings (alleen bepaalde modellen).

---

## SmartThings (alleen bepaalde modellen)

---

### Installatie

Ga naar Google Play Store, Galaxy Apps of Apple App Store en zoek naar SmartThings. Download en installeer de SmartThings-app van Samsung Electronics op uw smartapparaat.

#### OPMERKING

- De ondersteunende softwareversie van de SmartThings-app kan worden gewijzigd volgens het beleid voor ondersteunde besturingssystemen dat de fabrikant biedt. Bovendien kan, wat de SmartThings-app of de functies die de app ondersteunt betreft, het updatebeleid voor nieuwe toepassingen van het huidige besturingssysteem worden opgeschort vanwege bruikbaarheid of beveiliging.
- De SmartThings-app kan zonder voorafgaande kennisgeving worden gewijzigd om de bruikbaarheid of prestaties te verbeteren. Aangezien de besturingssystemen van mobiele telefoons elk jaar worden bijgewerkt, wordt de SmartThings-app ook voortdurend bijgewerkt conform het nieuwste besturingssysteem. Neem met vragen over de bovenstaande onderwerpen contact met ons op via [st.service@samsung.com](mailto:st.service@samsung.com)
- Aanbevolen versleutelingssystemen zijn WPA/TKIP en WPA2/AES. Nieuwere of afwijkende Wi-Fi-verificatieprotocollen worden niet ondersteund.
- Draadloze netwerken kunnen worden beïnvloed door de omringende draadloze communicatieomgeving.
- Als uw internetprovider het MAC-adres van uw pc of modem voor identificatie heeft geregistreerd, kan de Samsung Smart-koelkast misschien geen verbinding maken met internet. Neem in dat geval contact op met uw internetprovider voor technische assistentie.
- De firewallinstellingen van het netwerksysteem kunnen voorkomen dat de Samsung Smart-koelkast verbinding met internet maakt. Neem contact op met uw internetprovider voor technische assistentie. Als dit probleem aanhoudt, neemt u contact op met een lokaal servicecentrum van Samsung of de winkelier.
- Als u de instellingen van het draadloze toegangspunt (AP) wilt configureren, raadpleegt u de gebruikershandleiding van het toegangspunt (router).
- Samsung Smart-koelkasten ondersteunen het Wi-Fi-protocol voor 2,4 GHz met IEEE 802.11 b/g/n en Soft-AP-protocollen. (IEEE 802.11 n wordt aanbevolen.)
- Niet-geautoriseerde draadloze wifi-routers kunnen misschien geen verbinding maken met bepaalde Samsung Smart-koelkasten.

# Bediening

---

## Samsung-account

Als u de app wilt gebruiken, moet u uw Samsung-account registreren. Als u geen Samsung-account hebt, volgt u de scherm instructies van de app om een gratis Samsung-account aan te maken.

## Aan de slag

Schakel het apparaat in waarmee u verbinding wilt maken, open de SmartThings-app op uw telefoon en volg daarna onderstaande instructies.

Als er een melding verschijnt dat er een nieuw apparaat is gevonden, tikt u op **ADD NOW (NU TOEVOEGEN)**.

Als er geen melding verschijnt, tikt u op de knop **+** en selecteert u het apparaat waarmee u verbinding wilt maken in de lijst met beschikbare apparaten.

Als uw apparaat niet in de lijst met beschikbare apparaten staat, tikt u op **Supported Devices (Ondersteunde apparaten)**, selecteert u het type apparaat (Refrigerator: koelkast) en vervolgens het specifieke model.

Volg de aanwijzingen in de app om het apparaat in te stellen. Zodra de installatie voltooid is, verschijnt uw koelkast als een 'kaart' op het scherm **Devices (Apparaten)**.


## Geïntegreerde besturing

U kunt de koelkast thuis en onderweg controleren en bedienen.

- Tik op het koelkastpictogram op het SmartThings-dashboard of tik op het pictogram Apparaten onder op het dashboard en tik vervolgens op de 'koelkastkaart' om de pagina Koelkast te openen.
- Hier kunt u de bedrijfsstatus of meldingen voor uw koelkast controleren, en indien nodig opties of instellingen wijzigen.

### **OPMERKING**

Bepaalde opties of instellingen van de koelkast zijn wellicht niet op afstand te bedienen.

| Categorie                                 | Item  | Beschrijving   |
|---|---|--|
| Controle                                  | Temperatuur koelkast  | Geeft de huidige temperatuurinstelling van de koelkast weer.                                       |
|   | Temperatuur vriezer   | Geeft de huidige temperatuurinstelling van de vriezer weer.  |
| Functies                                  | Snelkoelen (alleen van toepassing voor bepaalde modellen)   | U kunt Snelkoelen in- of uitschakelen, en de huidige instellingen controleren.                     |
|   | Snelvriezen   | U kunt Snelvriezen in- of uitschakelen, en de huidige instellingen controleren.                    |
|   | Temperatuur koelkast  | U kunt de gewenste temperatuur van de koelkast instellen.  |
|   | Temperatuur vriezer   | U kunt de gewenste temperatuur van de vriezer instellen.   |
| Alarmen                                   | Abnormaal hoge temperatuur  | Dit alarm wordt geactiveerd wanneer de koelkast of vriezer een abnormaal hoge temperatuur bereikt. |
|   | Deur open   | Dit alarm wordt geactiveerd wanneer de deur langer dan twee minuten openstaat.                     |
| AI Energy Mode (alleen bepaalde modellen) | <p>U kunt de AI Energy Mode in- of uitschakelen via het menu Energy (Energie) in de SmartThings-app.</p> <p>U kunt de status van de AI Energy Mode controleren in de SmartThings-app. Bij sommige modellen wordt het -pictogram weergegeven op het hoofdpaneel om aan de te geven dat de AI Energy Mode is ingeschakeld. (alleen bepaalde modellen)</p> <p>Het inschakelen van de AI Energy Mode verlaagt het energieverbruik, maar kan ook de koelprestaties verminderen.</p> |  |

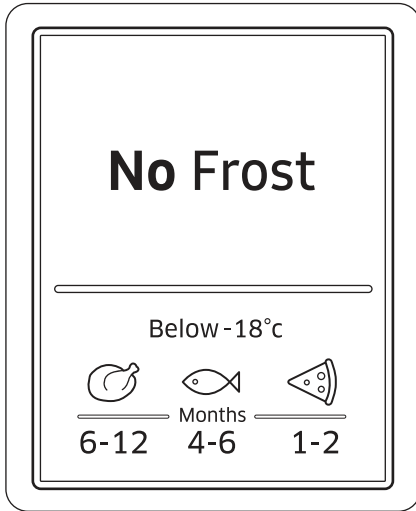
### Informatie over beveiligingsupdates

Er worden beveiligingsupdates geleverd om de beveiliging van uw apparaat te verbeteren en uw persoonlijke gegevens te beschermen. Ga voor meer informatie over beveiligingsupdates naar <https://security.samsungda.com>.

\* De website is alleen in bepaalde talen beschikbaar.

# Bediening

## Informatie over het bewaren van etenswaren



De cijfers onderin deze afbeelding geven de bewaarperiode aan voor de etenswaren er direct boven. Vis kan bijvoorbeeld 4 tot 6 maanden worden bewaard.

### Etenswaren invriezen

1. Pak de etenswaren in geschikt luchtdicht verpakkingsmateriaal in.
2. Sluit de verpakking.
3. Plak een label op de verpakking met daarop de inhoud en datum.

### Verpakkingsmateriaal

- Geschikt verpakkingsmateriaal voor etenswaren is: plastic zak, polyethyleen plastic, aluminiumfolie en invriesblikken.
- Materiaal dat niet geschikt is om etenswaren in te pakken is: inpakpapier, vetvrij papier, cellofaan, afvalzakken en plastic boodschappenzakken.

### Materiaal om luchtdicht mee af te sluiten

Elastiekjes, plastic clips, touwtjes, koubestendig plakband of vergelijkbaar materiaal. Tassen en polyethyleenfolie kunt u sluiten met folieverzegeling.

---

## Bewaarperiode van ingevroren etenswaren

De bewaarperiode is per type etenswaren en per bewaartemperatuur anders. De volgende specificatie is gebaseerd op een temperatuur van -18 °C (0 °F):

- Vers gevogelte (hele kip), vers vlees (biefstuk, braadvlees): maximaal 12 maanden
- Vis (magere vis, gekookte vis), verse garnalen, Sint-Jacobsschelpen, inktvis: maximaal 6 maanden
- Pizza, worst: maximaal 2 maanden

### **OPMERKING**

Ga voor meer informatie naar de website van de FDA (<http://www.fda.gov/>).

## Ontdooien

Ingevroren etenswaren kunnen op de volgende manieren worden ontdooid:

- Op natuurlijke wijze bij kamertemperatuur
- Op natuurlijke wijze in de koelkast
- Door een elektrische oven met of zonder hitte-ondersteuning
- Door een magnetron te gebruiken

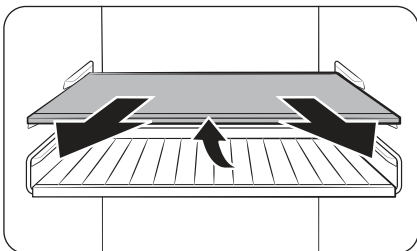
### **OPMERKING**

- Vries ontdooide etenswaren niet opnieuw in. Bepaalde delen van de etenswaren kunnen mogelijk niet meer in hun geheel worden bevroren.
- Bewaar geen ingevroren etenswaren langer dan de maximale bewaarperiode.

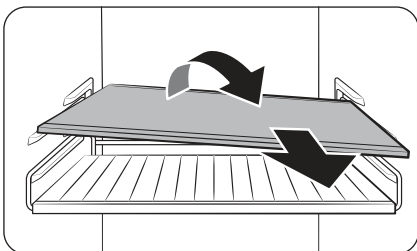
# Onderhoud

## Behandeling en onderhoud

### Leggers (koelkast/vriezer)/wijnrek (alleen bepaalde modellen)



1. Trek de legger (of wijnrek) een stukje naar voren. Trek hem dan naar buiten terwijl u de achterkant optilt.

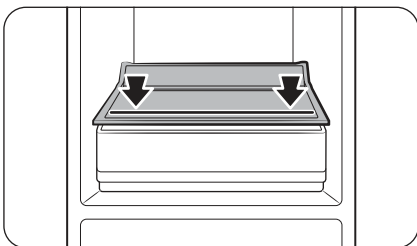


2. Draai de legger (of het wijnrek) schuin om te verwijderen.

#### LET OP

- De legger moet goed worden geplaatst. Plaats deze niet ondersteboven.
- Glazen accessoires kunnen het oppervlak van de glazen leggers beschadigen.
- Plaats geen legger op de plek voor het wijnrek. Hierdoor kan de koelkast beschadigd raken. (alleen bepaalde modellen)

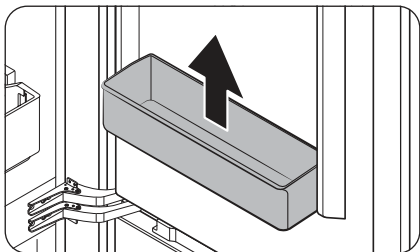
### Groentelegger (alleen bepaalde modellen)



- Als uw model slechts één lade in de koelkast heeft, is er een lijn afgedrukt op de groentelegger net boven de laden. Zorg er, wanneer u artikelen op de groentelegger bewaart, voor dat u de artikelen binnen de afgedrukt lijn plaatst.



## Deurbak van koelkast / Deurbak Diversen

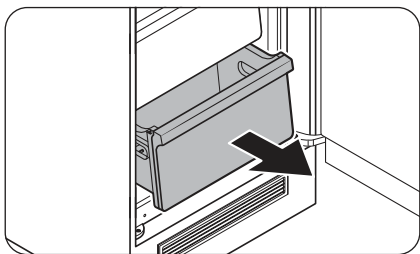


Pak de deurbak met beide handen vast en til deze uit de koelkast.

### ⚠ LET OP

Maak de deurbakken leeg voordat u ze verwijdert om ongelukken te voorkomen

## Koelkastlade / Vriezerlade



Til de voorkant van de lade voorzichtig op en schuif deze eruit.

# Onderhoud

---

## Reinigen

---

### Binnenkant en buitenkant

#### WAARSCHUWING

- Gebruik geen wasbenzine, thinner, azijn, vloeibare bleek, natriumbicarbonaat, citroenzuur, zoutmengsels of huis-/autoreinigingsmiddelen zoals bleekmiddel om het apparaat schoon te maken. Deze kunnen het oppervlak van de koelkast beschadigen en brand veroorzaken.
- Spuit geen water op de koelkast. Er kunnen elektrische schokken ontstaan.

Verwijder alle vreemde stoffen als stof en water regelmatig met een droge doek uit de klemmen en contactpunten van de stekker.

1. Ontkoppel het netsnoer.
2. Gebruik een vochtige, zachte, pluisvrije doek of keukenpapier om de koelkast van binnen en buiten schoon te maken.
3. Als u klaar bent, gebruik dan een droge doek of keukenpapier om alles goed te drogen.
4. Steek het netsnoer in het stopcontact.

## Vervanging

---

### LED-lampjes

Neem contact op met een lokaal servicecentrum van Samsung als u de lampjes van de koelkast wilt vervangen.

#### WAARSCHUWING

- De lampjes kunnen niet door de gebruiker worden vervangen. Probeer een lampje niet zelf te vervangen. Er kunnen elektrische schokken ontstaan.

### Lamp (lichtbron)

Dit product bevat een lichtbron van energie-efficiëntieklasse <G>.

De lamp(en) en/of voorschakelappara(a)t(en) mogen niet door de gebruiker worden onderhouden. Neem contact op met een lokaal servicecentrum van Samsung als u de lamp(en) en/of voorschakelappara(a)t(en) van het product wilt vervangen.

Voor uitgebreide instructies over het vervangen van lampen en voorschakelapparaten bij uw product gaat u naar de Samsung-website (<http://www.samsung.com>), en naar Support > Support home, en voert u de modelnaam in.

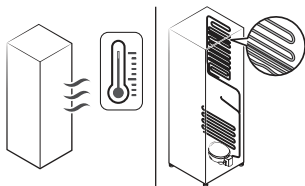
Voor uitgebreide instructies over het verwijderen van lampen en voorschakelapparaten volgt u de bovenstaande vervangingsinstructie.

# Problemen oplossen

Bekijk de onderstaande punten voordat u met de klantenservice belt. Alle gesprekken met de klantenservice die over normale situaties gaan (d.w.z. geen defecten), worden bij de gebruiker in rekening gebracht.

## Algemeen

### Temperatuur

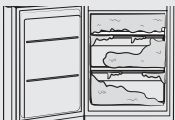
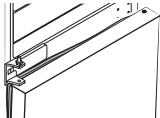
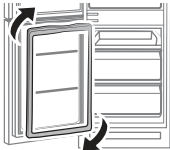
| Symptoom   | Mogelijke oorzaken  | Oplossing   |
|--|---|---|
| Koelkast/vriezer doet het niet.<br>Temperatuur van de koelkast/vriezer is te hoog. | <ul style="list-style-type: none"> <li>Netsnoer is niet goed aangesloten.</li> </ul>  | <ul style="list-style-type: none"> <li>Steek het netsnoer goed in het stopcontact.</li> </ul>   |
|  | <ul style="list-style-type: none"> <li>Temperatuur is niet goed ingesteld.</li> </ul>   | <ul style="list-style-type: none"> <li>Stel de temperatuur lager in.</li> </ul>   |
|  | <ul style="list-style-type: none"> <li>Koelkast bevindt zich in de buurt van een warmtebron of in direct zonlicht.</li> </ul>     | <ul style="list-style-type: none"> <li>Houd de koelkast uit de buurt van direct zonlicht en warmtebronnen.</li> </ul>   |
|  | <ul style="list-style-type: none"> <li>Onvoldoende ruimte tussen koelkast en muur aan zijkanen/achterkant.</li> </ul>             | <ul style="list-style-type: none"> <li>Zorg ervoor dat er ten minste 7 mm ruimte is ten opzichte van de achterwand en zijwanden van de omkasting.</li> </ul>  |
|  | <ul style="list-style-type: none"> <li>Vakantiemodus is geactiveerd.</li> </ul>   | <ul style="list-style-type: none"> <li>Deactiveer de vakantiemodus.</li> </ul>  |
| Koelkast/vriezer is te koud.   | <ul style="list-style-type: none"> <li>De koelkast is te vol. Etenswaaren blokkeren de luchtcirculatie in de koelkast.</li> </ul> | <ul style="list-style-type: none"> <li>Doe de koelkast niet te vol. Zorg ervoor dat etenswaren de luchtcirculatie in de koelkast niet kunnen blokkeren.</li> </ul>  |
|  | <ul style="list-style-type: none"> <li>Temperatuur is niet goed ingesteld.</li> </ul>   | <ul style="list-style-type: none"> <li>Stel de temperatuur hoger in.</li> </ul>   |
| De binnenwand van de koelkast is heet.   | <ul style="list-style-type: none"> <li>De koelkast heeft hittebestendige pijpen in de binnenwand.</li> </ul>                      | <ul style="list-style-type: none"> <li>De koelkast heeft warmtebestendige leidingen in de hoeken aan de voorzijde om condensvorming te voorkomen. Als de omgevingstemperatuur stijgt, werkt deze apparatuur mogelijk niet goed. Dit is geen defect aan het systeem.</li> </ul>  |

# Problemen oplossen

## Luchtjes

| Symptoom                            | Mogelijke oorzaken                 | Oplossing   |
|-------------------------------------|------------------------------------|---|
| Koelkast geeft vreemde luchtjes af. | • Bedorven etenswaren.             | • Maak de koelkast schoon en verwijder de bedorven etenswaren.      |
|                                     | • Etenswaren met een sterke lucht. | • Zorg dat etenswaren met een sterke lucht luchtdicht zijn verpakt. |

## Aanvriezing

| Symptoom   | Mogelijke oorzaken  | Oplossing   |
|--|---|---|
| Aanvriezing rond de luchtopeningen.  | • Etenswaren blokkeren de luchtopeningen.   | • Zorg dat etenswaren de luchtopeningen niet kunnen blokkeren.  |
| Aanvriezing aan de binnenwanden.   | • Deur is niet goed gesloten.   | • Zorg dat etenswaren de deur niet blokkeren. Maak de deurpakking schoon.   |
| Fruit of groenten zijn bevroren.   | • Fruit of groenten worden in de verszone/chefzone bewaard.   | • De verszone/chefzone is alleen voor vlees/vis.  |
| Er wordt te veel ijs in de vriezer gevormd.<br> | • De deur sluit niet goed af omdat de deurpakking niet is omgedraaid na het omdraaien van de deuren.<br> | • Verwijder de deurpakking, draai deze 180° en breng deze weer aan.<br> |

## Condensatie

| Symptoom                               | Mogelijke oorzaken   | Oplossing  |
|--|--|--|
| Er zit condensatie op de binnenwanden. | <ul style="list-style-type: none"><li>Als de deur wordt opengelaten, komt er vocht de koelkast in.</li></ul> | <ul style="list-style-type: none"><li>Verwijder het vocht en open de deur een lange tijd niet.</li></ul> |
|  | <ul style="list-style-type: none"><li>Etenswaaren met een hoge vochtigheid.</li></ul>                        | <ul style="list-style-type: none"><li>Zorg dat etenswaaren luchtdicht zijn ingepakt.</li></ul>           |

## Alarm

| Symptoom              | Mogelijke oorzaken  | Oplossing   |
|-----------------------|---|---|
| Er gaat een alarm af. | <ul style="list-style-type: none"><li>Als de deur langer dan 2 minuten wordt opengelaten, klinkt het alarm totdat de deur wordt gesloten.</li></ul> | <ul style="list-style-type: none"><li>Druk op een willekeurige knop om het alarm uit te schakelen. Neem contact op met een lokaal servicecentrum van Samsung als het alarm na 12 uur weer afgaat.</li></ul> |

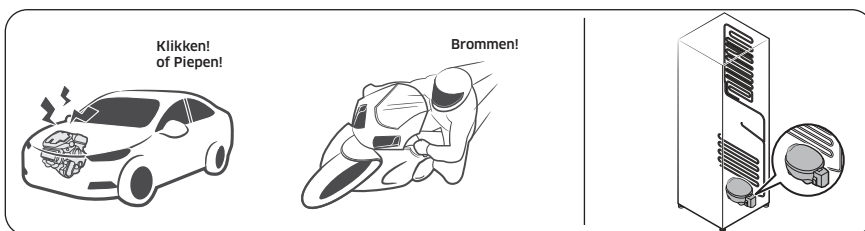
# Problemen oplossen

## Hoort u een abnormaal geluid uit de koelkast?

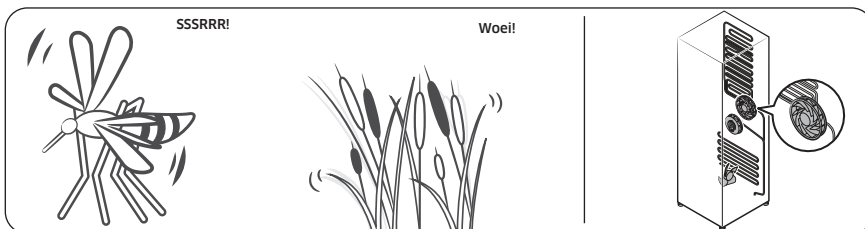
Bekijk de onderstaande punten voordat u met de klantenservice belt. Alle gesprekken met de klantenservice die over normale geluiden gaan, worden bij de gebruiker in rekening gebracht.

### Deze geluiden zijn normaal.

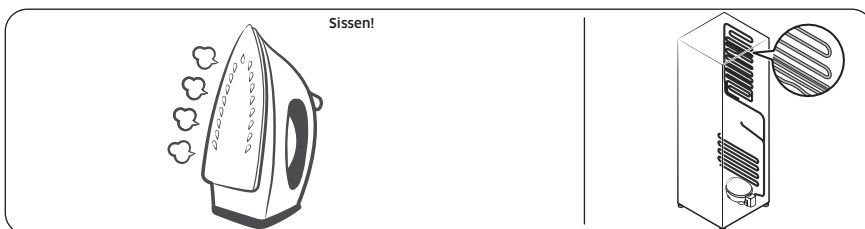
- Aan het begin en het einde van een koelcyclus kan de koelkast geluiden maken die lijken op de ontbranding van een motor. Dit geluid neemt gaandeweg af.



- Terwijl de ventilator draait, kunt u deze geluiden horen. Wanneer de koelkast de ingestelde temperatuur bereikt, hoort u de ventilator niet meer.



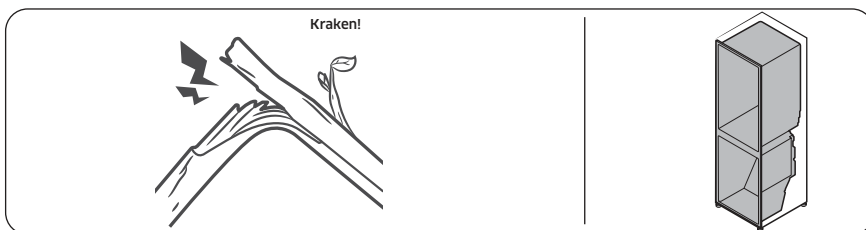
- Tijdens een ontdooiingscyclus kan er water op de ontdooiingsverwarming druppelen, waardoor er een sissend geluid hoorbaar kan zijn.



- Wanneer de koelkast koelt of vriest, gaan er koelgassen door de afgesloten buizen, waardoor u een bubbelend geluid kunt horen.




- Wanneer de koelkasttemperatuur toeneemt of afneemt, zetten plastic onderdelen uit of krimpen ze, waardoor u kloppende geluiden kunt horen. Deze geluiden treden op tijdens de ontdooiingscyclus of wanneer elektronica in de koelkast aan het werk is.



- Voor modellen met een ijsblokjesmaker: Wanneer de waterklep open gaat om de ijsblokjesmaker te vullen, kunt u een zoemend geluid horen.
- Doordat de druk verandert bij het openen en sluiten van de koelkastdeur, kunt u een sissend geluid horen.

# Problemen oplossen

## SmartThings (alleen bepaalde modellen)

| Symptoom  | Actie  |
|---|--|
| Kan SmartThings niet op de app-markt vinden.  | <ul style="list-style-type: none"><li>De ondersteunende softwareversie van de SmartThings-app kan worden gewijzigd volgens het beleid voor ondersteunde besturingssystemen dat de fabrikant biedt. Bovendien kan, wat de SmartThings-app of de functies die de app ondersteunt betreft, het updatebeleid voor nieuwe toepassingen van het huidige besturingssysteem worden opgeschort vanwege bruikbaarheid of beveiliging.</li></ul>                              |
| De SmartThings-app werkt niet.  | <ul style="list-style-type: none"><li>De SmartThings-app is alleen beschikbaar voor bepaalde modellen.</li><li>De oude app Samsung Smart Refrigerator kan geen verbinding maken met Samsung Smart Home-modellen.</li></ul>   |
| De SmartThings-app is geïnstalleerd maar is niet verbonden met mijn koelkast.   | <ul style="list-style-type: none"><li>Als u de app wilt gebruiken, moet u zich aanmelden bij uw Samsung-account.</li><li>Controleer of de router normaal werkt.</li><li>Als het Wi-Fi-pictogram op het display van de koelkast is uitgeschakeld, duidt dit erop dat er nog geen netwerkverbinding is. In dat geval kunt u de SmartThings-app gebruiken om uw koelkast verbinding laten maken met en te registreren bij het toegangspunt (AP) in uw huis.</li></ul> |
| Ik kan me niet aanmelden op de app.   | <ul style="list-style-type: none"><li>Als u de app wilt gebruiken, moet u zich aanmelden bij uw Samsung-account.</li><li>Als u geen Samsung-account hebt, volgt u de scherm instructies van de app om er een aan te maken.</li></ul>   |
| Er verschijnt een foutmelding wanneer ik mijn koelkast probeer te registreren.  | <ul style="list-style-type: none"><li>Easy Connection werkt mogelijk niet vanwege de afstand tot het toegangspunt (AP) of door elektrische ruis uit de omgeving. Wacht even en probeer het opnieuw.</li></ul>  |
| De SmartThings-app is verbonden met mijn koelkast, maar doet het niet.  | <ul style="list-style-type: none"><li>Sluit de SmartThings-app en start deze opnieuw op, of ontkoppel de router en koppel deze opnieuw.</li><li>Schakel de koelkast uit en schakel deze na 1 minuut weer in.</li></ul>   |
| Het Wi-Fi-pictogram knippert. (  ) | <ul style="list-style-type: none"><li>Verbind uw koelkast vóór gebruik met de SmartThings-app. Wanneer er succesvol verbinding is gemaakt, stopt de indicator met knipperen.<ul style="list-style-type: none"><li>Als u geen verbinding kunt maken of de app niet wilt gebruiken, houd dan de knop <b>Fridge (Koelkast)</b> 10 seconden ingedrukt. De indicator stopt met knipperen.</li></ul></li></ul>   |



# Bijlage

## Veiligheidsinstructie

- Voor het efficiëntste energiegebruik dient u alle onderdelen zoals bakken, laden, leggers en de ijsblokjestray op de plaats te houden waar deze door de fabrikant zijn geleverd.

## Installatieinstructie

### Voor koelapparaten met klimaatklasse

Afhankelijk van de klimaatklasse is dit koelapparaat bedoeld voor gebruik binnen het omgevingstemperatuurbereik dat is aangegeven in onderstaande tabel.

De klimaatklasse is aangegeven op het typeplaatje. Het product werkt mogelijk niet naar behoren bij temperaturen buiten het aangegeven bereik.

U kunt de klimaatklasse vinden op het etiket aan de binnenzijde van de koelkast

### Effectief temperatuurbereik

De koelkast is ontworpen voor normaal gebruik in het temperatuurbereik dat vermeld staat bij de classificatie.

| Klasse                 | Symbool | Bereik van de omgevingstemperatuur (°C) |             |
|------------------------|---------|---|-------------|
|                        |         | IEC 62552 (ISO 15502)                   | ISO 8561    |
| Hoog temperatuurbereik | SN      | +10 tot +32                             | +10 tot +32 |
| Gematigd               | N       | +16 tot +32                             | +16 tot +32 |
| Subtropisch            | ST      | +16 tot +38                             | +18 tot +38 |
| Tropisch               | T       | +16 tot +43                             | +18 tot +43 |

### OPMERKING

De koelprestaties en het energieverbruik van de koelkast kunnen worden beïnvloed door de omgevingstemperatuur, de regelmaat waarmee de deur wordt geopend en de plaats van de koelkast. Het wordt aanbevolen om waar nodig de temperatuurinstellingen te wijzigen.

# Bijlage

## Temperatuurinstructie

### Aanbevolen temperatuur

De optimale temperatuur voor het bewaren van voedsel:

- Fridge (Koelkast): 3 °C
- Freezer (Vriezer): -19 °C

### OPMERKING

De optimale temperatuurinstelling voor elk compartiment is afhankelijk van de omgevingstemperatuur. De hierboven vermelde optimale temperatuur is gebaseerd op een omgevingstemperatuur van 25 °C.

### Snelkoelen

Met Snelkoelen wordt het koelproces op maximale ventilatorsnelheid versneld. De koelkast blijft twee en een half uur op maximale snelheid draaien en keert vervolgens terug naar de vorige temperatuur.

### Snelvriezen

Met Snelvriezen wordt het vriesproces op maximale ventilatorsnelheid versneld. De vriezer blijft 50 uur op maximale snelheid draaien en keert vervolgens terug naar de vorige temperatuur. Als u een grote hoeveelheid voedingsmiddelen wilt invriezen, activeer Snelvriezen dan ten minste 20 uur voordat u voedsel in de vriezer plaatst.

### OPMERKING

Wanneer u deze functie gebruikt, neemt het energieverbruik van de koelkast toe. Zet deze functie uit als u deze niet nodig hebt en zet de vriezer weer op de oorspronkelijke temperatuurinstelling.

### De beste conservering van bewaarde etenswaren (alleen bepaalde modellen)

Dek etenswaren af om vochtverlies en het overnemen van geurtjes van andere voedingsmiddelen te beperken. Een grote pan met etenswaren als soep of stoofpot kunt u beter in kleinere porties verdelen en in ondiepe bakjes doen voordat u deze in de koelkast zet. Een groot stuk vlees of hele kip kan beter in kleinere stukken worden verdeeld of in ondiepe bakjes worden gedaan voordat u dit in de koelkast zet.

### Plaatsing van etenswaren

|  |   |
|--|---|
| Leggers  | Leggers dienen aangepast te kunnen worden om plaats te bieden aan verschillende verpakkingen.   |
| Speciale compartimenten (alleen bepaalde modellen) | Afgesloten groenteladen bieden een optimale bewaaromgeving voor groenten en fruit. Groenten hebben een hogere vochtigheidsgraad nodig, fruit een lagere.<br>Groenteladen zijn uitgerust met een bediening om de luchtvochtigheid te regelen. (*Afhankelijk van model en opties) In een vleeslade met aanpasbare temperatuur kunnen vlees en kaas het langst worden bewaard. |
| In de deur bewaard                                 | Bewaar bederfelijk voedsel niet in de deur. Eieren kunt u het beste in hun doos op een legger bewaren. De temperatuur van de opbergvakken in de deur wisselt sterker dan de temperatuur in de koelkast zelf. Houd de deur zoveel mogelijk gesloten.   |

|          |  |
|----------|--|
| Vriesvak | In het vriesvak kunt u diepvriesproducten bewaren, ijsblokjes maken en vers voedsel invriezen. |
|----------|--|

### **OPMERKING**

Vries alleen verse etenswaren in onbeschadigde staat in. Houd etenswaren die u wilt invriezen uit de buurt van etenswaren die al bevroren zijn. Bewaar etenswaren luchtdicht verpakt om te voorkomen dat het zijn smaak verliest of uitdroogt.

#### **Bewaartabel voor koelkast en vriezer**

Hoe lang een product vers blijft, hangt af van de temperatuur en blootstelling aan vocht. Omdat de houdbaarheidsdatums op de verpakking geen richtlijn zijn voor het veilig gebruik van een product, kunt u deze tabel raadplegen en de tips opvolgen.

#### Melkproducten

| Product  | Koelkast | Vriezer         |
|----------|----------|-----------------|
| Melk     | 1 week   | 1 maand         |
| Boter    | 2 weken  | 12 maanden      |
| IJs      | -        | 2-3 weken       |
| Kaas     | 1 maand  | 4-6 maanden     |
| Roomkaas | 2 weken  | Niet aangeraden |
| Yoghurt  | 1 maand  | -               |

#### Vlees

| Product                                   | Koelkast  | Vriezer     |
|---|-----------|-------------|
| Verse rollades, biefstukken en koteletten | 3-4 dagen | 2-3 maanden |
| Vers gehakt, stoofvlees                   | 1-2 dagen | 3-4 maanden |
| Spek                                      | 7 dagen   | 1 maand     |
| Verse worst van varken, rund of kalkoen   | 1-2 dagen | 1-2 maanden |

#### Gevogelte/eieren

| Product                     | Koelkast  | Vriezer         |
|-----------------------------|-----------|-----------------|
| Vers gevogelte              | 2 dagen   | 6-8 maanden     |
| Salade met gevogelte        | 1 dag     | -               |
| Verse eieren (in de schaal) | 2-4 weken | Niet aangeraden |

# Bijlage

## Vis/zeevruchten

| Product                     | Koelkast  | Vriezer         |
|-----------------------------|-----------|-----------------|
| Verse vis                   | 1-2 dagen | 3-6 maanden     |
| Gekookte/gebakken vis       | 3-4 dagen | 1 maand         |
| Vissalade                   | 1 dag     | Niet aangeraden |
| Gedroogde of ingemaakte vis | 3-4 weken | -               |

## Fruit

| Product          | Koelkast  | Vriezer      |
|------------------|-----------|--------------|
| Appels           | 1 maand   | -            |
| Perziken         | 2-3 weken | -            |
| Ananas           | 1 week    | -            |
| Ander vers fruit | 3-5 dagen | 9-12 maanden |

## Groenten

| Product   | Koelkast  | Vriezer |
|---|-----------|---------|
| Asperges  | 2-3 dagen | -       |
| Broccoli, spruitjes, doperwten en champignons     | 3-5 dagen | -       |
| Kool, bloemkool, bleekselderij, komkommers en sla | 1 week    | -       |
| Wortels, bietjes en radijsjes                     | 2 weken   | -       |

---

## Informatie over het model en het bestellen van reserveonderdelen

---

### Modelinformatie

Scan de QR-code op het energielabel om meer energielabel-informatie voor dit product te raadplegen in het Europees productregister voor energie-etikettering (EPREL).

U vindt de QR-code op het energielabel in uw productverpakking.

### Onderdeelinformatie

- De minimumperiode dat reserveonderdelen, die noodzakelijk zijn voor reparatie van het apparaat, beschikbaar zijn
  - 7 jaar thermostaten, temperatuursensoren, printplaten en lichtbronnen, deurgrepen, deurscharnieren, trays, manden (dozen of laden)
  - 10 jaar deurafdichtingen
- De minimale garantieperiode voor het koelapparaat die wordt geboden door de fabrikant 24 maanden.
- Relevante informatie voor het bestellen van reserveonderdelen, rechtstreeks of via andere door de fabrikant, importeur of erkende vertegenwoordiger geboden kanalen
- U kunt professionele reparatie-informatie vinden op <http://samsung.com/support>.  
U kunt de onderhoudshandleiding voor gebruikers vinden op <http://samsung.com/support>.

# Open Source Announcement

---

## Open Source Announcement

---

The software included in this product contains open source software. You may obtain the complete corresponding source code for a period of three years after the last shipment of this product by contacting our support team via <http://opensource.samsung.com> (Please use the "Inquiry" menu.)

It is also possible to obtain the complete corresponding source code in a physical medium such as a CD-ROM; a minimal charge will be required.

The following URL [http://opensource.samsung.com/opensource/COMMON\\_TZ6\\_0/seq/0](http://opensource.samsung.com/opensource/COMMON_TZ6_0/seq/0) leads to the open source license information as related to this product. This offer is valid to anyone in receipt of this information.



# Notities

---

## **OPMERKING**

Hierbij verklaart Samsung dat deze radioapparatuur voldoet aan de richtlijn 2014/53/EU en met de relevante wettelijke vereisten in het VK. De volledige tekst van de EU-conformiteitsverklaring en de VK-conformiteitsverklaring is beschikbaar op het volgende internetadres: De officiële conformiteitsverklaring vindt u op <http://www.samsung.com>. Ga hiervoor naar Support > Zoeken en geef de modelnaam op.

|           | Frequentiebereik | Zendvermogen (maximaal) |
|-----------|------------------|-------------------------|
| Wi-Fi     | 2412 - 2472 MHz  | 20 dBm                  |
| Bluetooth | 2402 - 2480 MHz  | 20 dBm                  |

|             |   |   |
|-------------|---|---|
| FRANCE      | 01 48 63 00 00  | <a href="http://www.samsung.com/fr/support">www.samsung.com/fr/support</a>  |
| GERMANY     | 06196 77 555 77   | <a href="http://www.samsung.com/de/support">www.samsung.com/de/support</a>  |
| LUXEMBURG   | 261 03 710  | <a href="http://www.samsung.com/be_fr/support">www.samsung.com/be_fr/support</a>  |
| NETHERLANDS | 088 90 90 100   | <a href="http://www.samsung.com/nl/support">www.samsung.com/nl/support</a>  |
| BELGIUM     | 02-201-24-18  | <a href="http://www.samsung.com/be/support">www.samsung.com/be/support</a> (Dutch)<br><a href="http://www.samsung.com/be_fr/support">www.samsung.com/be_fr/support</a> (French) |
| NORWAY      | 21629099  | <a href="http://www.samsung.com/no/support">www.samsung.com/no/support</a>  |
| DENMARK     | 707 019 70  | <a href="http://www.samsung.com/dk/support">www.samsung.com/dk/support</a>  |
| FINLAND     | 030-6227 515  | <a href="http://www.samsung.com/fi/support">www.samsung.com/fi/support</a>  |
| SWEDEN      | 0771-400 300  | <a href="http://www.samsung.com/se/support">www.samsung.com/se/support</a>  |
| CYPRUS      | 8009 4000 only from landline, toll free   | <a href="http://www.samsung.com/gr/support">www.samsung.com/gr/support</a>  |
| GREECE      | 80111-SAMSUNG (80111 726 7864) only from land line<br>(+30) 210 6897691 from mobile and land line |   |
| ITALIA      | 800-SAMSUNG (800.7267864)   | <a href="http://www.samsung.com/it/support">www.samsung.com/it/support</a>  |
| PORTUGAL    | 210 608 098<br>Chamada para a rede fixa nacional<br>Dias úteis das 9h às 20h                      | <a href="http://www.samsung.com/pt/support">www.samsung.com/pt/support</a>  |
| SPAIN       | 91 175 00 15  | <a href="http://www.samsung.com/es/support">www.samsung.com/es/support</a>  |





# Kylskåp

---

## Bruksanvisning

---

Inbyggd apparat

**SAMSUNG**

# Innehåll

---

|   |           |
|---|-----------|
| <b>Säkerhetsinformation</b>                               | <b>3</b>  |
| Vad du behöver veta om säkerhetsinstruktionerna           | 3         |
| Viktiga säkerhetssymboler och försiktighetsanvisningar:   | 5         |
| Viktiga försiktighetsanvisningar gällande säkerhet        | 6         |
| Allvarliga varningsmeddelanden för transport och leverans | 9         |
| Kritiska installationsvarningar                           | 10        |
| Försiktighetsåtgärder vid installation                    | 14        |
| Kritiska varningar för användning                         | 14        |
| Försiktighetsåtgärder vid användning                      | 18        |
| Försiktighetsåtgärder vid rengöring                       | 21        |
| Kritiska varningar för kassering                          | 22        |
| Fler tips för korrekt användning                          | 23        |
| Instruktioner om WEEE                                     | 25        |
| <b>Installation</b>                                       | <b>26</b> |
| En överblick över kylskåpet                               | 26        |
| Stegvis installation                                      | 27        |
| <b>Verksamhet</b>   | <b>38</b> |
| Huvudpanel  | 38        |
| SmartThings (endast tillämpliga modeller)                 | 43        |
| Förvaringsinformation                                     | 46        |
| <b>Underhåll</b>  | <b>48</b> |
| Hantering och skötsel                                     | 48        |
| Dammsugning   | 50        |
| Byte  | 50        |
| <b>Felsökning</b>   | <b>51</b> |
| Allmänt   | 51        |
| Hör du onormala ljud från kylskåpet?                      | 54        |
| SmartThings (endast tillämpliga modeller)                 | 56        |
| <b>Bilaga</b>   | <b>57</b> |
| Säkerhetsanvisningar                                      | 57        |
| Installeringsanvisningar                                  | 57        |
| Temperaturanvisningar                                     | 58        |
| Information om modellen och hur du beställer reservdelar  | 61        |
| <b>Open Source Announcement</b>                           | <b>62</b> |
| Open Source Announcement                                  | 62        |

# Säkerhetsinformation

---

Innan du använder ditt nya kylskåp från Samsung ska du läsa den här manualen noggrant för att garantera att du kan använda egenskaperna och funktionerna på din nya apparat på ett säkert och effektivt sätt.

## Vad du behöver veta om säkerhetsinstruktionerna

---

- Varningar och viktiga säkerhetsinstruktioner i den här bruksanvisningen inkluderar inte alla möjliga fall eller situationer som kan inträffa.  
Det är ditt ansvar att använda sunt förnuft, vara försiktig och noggrann när du installerar, underhåller och använder apparaten.
- Eftersom följande anvisningar är för flera olika modeller kan egenskaperna hos kylskåpet variera något från dem som beskrivs i den här bruksanvisningen, och alla varningsmeddelanden är eventuellt inte tillämpliga. Om du har några frågor eller kommentarer kan du kontakta närmaste servicecenter eller söka hjälp och information online på [www.samsung.com](http://www.samsung.com).
- R-600a eller R-134a används som kylmedel. Kontrollera märkningen på kompressorn på baksidan av apparaten eller typskylten i kylskåpet för att se vilket kylmedel som används i apparaten. Om produkten innehåller antändbar gas (kylmedel R-600a) ska du kontakta din lokala myndighet för säker kassering av produkten.
- För att undvika att brandfarliga blandningar av gas-luft uppstår vid en läcka i kylslingen ska apparaten placeras i ett rum som är tillräckligt stort för den mängd kylmedel som används i apparaten.
- Det är farligt för andra än auktoriserad servicepersonal att utföra service på den här apparaten.

## Säkerhetsinformation

---

- Använd aldrig en apparat som visar tecken på skada. Kontakta din återförsäljare om du är osäker. Rummet måste ha en volym på minst 1 m<sup>3</sup> per 8 g R-600a-kylmedel i apparaten.  
Mängden kylmedel som finns i din apparat visas på typskylten inuti apparaten.
- Kylmedel som stänker från rören kan antändas eller orsaka ögonskada. När kylmedel läcker från röret ska du undvika öppna lågor och flytta allt lättantändligt material bort från produkten och ventiler rummet omedelbart.
  - Om du inte gör det kan det resultera i brand eller explosion.
- Följ följande instruktioner för att undvika att kontaminera livsmedel:
  - Att öppna dörren under längre perioder kan höja temperaturen i apparatens fack signifikant.
  - Rengör med jämna mellanrum ytor som kan komma i kontakt med livsmedel och tillgängliga dräneringssystem.
  - Rengör vattenbehållare som inte har använts under 48 timmar; spola vattensystemet som är anslutet till vattenförsörjningen om inget vatten har tagits under 5 dagar.
  - Förvara rått kött och rå fisk i lämpliga behållare i kylskåpet, så att de inte är i kontakt med eller droppar på andra livsmedel.
  - Frysack för livsmedel med två stjärnor är lämpliga för att förvara förfryst mat, förvara eller laga glass och för att göra iskuber.

- 
- En-, två- och trestjärniga fack är inte lämpliga för att frysa färsk livsmedel.
  - Om kylskåpet lämnas tomt under längre perioder ska det slås av, avfrostas, rengöras och torkas, och dörren ska lämnas öppen för att förhindra att mögel uppstår inuti apparaten.

## **Viktiga säkerhetssymboler och försiktighetsanvisningar:**

Följ alla säkerhetsinstruktioner i den här manualen. I den här manualen används följande säkerhetssymboler.

### **VARNING**

Farlig eller osäker användning som kan leda till **allvarlig personskada, skada på egendom och/eller dödsfall.**

### **VAR FÖRSIKTIG**

Farlig eller osäker användning som kan leda till **allvarlig personskada och/eller skada på egendom.**

### **OBS!**

Användbar information som hjälper användaren att förstå eller utnyttja kylskåpet.

De här varningsmeddelandena är till för att undvika att du eller någon annan skadar sig.

Följ dem noga.

När du har läst igenom det här avsnittet ska du förvara det på en säker plats för framtida användning.

# Säkerhetsinformation

---

## Viktiga försiktighetsanvisningar gällande säkerhet

---



**WARNING!** Risk för brand/brandfarliga material

### **WARNING**

- Se till att nätsladden inte fastnar eller skadas när du positionerar apparaten.
- Placera inte flera förlängningssladdar eller bärbara nättaggregat på baksidan av kylskåpet.
- Håll ventilationsöppningar i apparatens hölje eller den inbyggda strukturen fri från hinder.
- Använd inte mekaniska apparater eller andra sätt att skynda på upptiningsprocessen, förutom dem som rekommenderas av tillverkaren.
- Skada inte kylslingan.
- Använd inte elektriska apparater i apparatens frysack såvida denna typ inte rekommenderats av tillverkaren.
  
- Den här apparaten är inte avsedd att användas av några personer (inklusive barn) med nedsatt fysisk, känslomässig eller mental förmåga, eller av de som saknar erfarenhet och kunskap, förutom om personen eller personerna har övervakats och instruerats angående hur apparaten används av en person som ansvarar för deras säkerhet.

- 
- Den här apparaten kan användas av barn från 8 år och uppåt och personer med nedsatt fysisk, känslomässig eller mental förmåga eller avsaknad av den erfarenhet och kunskap som krävs om de får övervakning eller instruktioner gällande användning av apparaten på ett säkert sätt och förstår de faror som finns med den. Barn får inte leka med apparaten. Rengöring och användarunderhåll får inte utföras av barn utan övervakning. Barn från 3 till 8 år får fylla och tömma kylskåp.
  - Om strömsladden skadas måste den bytas av tillverkaren eller dess serviceombud eller en liknande behörig person för att undvika skada.
  - Väggtaget måste vara lättåtkomligt så att apparaten i en nödsituation snabbt kan kopplas ifrån strömförsörjningen.
    - Den får inte vara placerad bakom enheten.
  - Förvara inte explosiva ämnen som aerosolburkar med brandfarlig drivgas i denna apparat.
  - Om produkten är utrustad med LED-lampor ska du inte demontera lamphöljerna och LED-lamporna på egen hand.
    - Kontakta ett Samsung-servicecenter.
    - Använd endast LED-lampor från tillverkaren eller dess servicerepresentanter.
  - Om den invändiga eller utvändiga LED-lampan är förbrukad ska du kontakta närmsta servicecenter.
  - För effektivast energianvändning ska du låta alla inre tillbehör såsom korgar, lådor och hyllor vara kvar på samma plats som de levererades på.
  - För att få optimal energiekonomi för den här produkten ska du låta alla hyllor, lådor och korgar vara kvar i originalposition.

# Säkerhetsinformation

---

## Så här minimerar du energiförbrukningen

- Installera apparaten i ett svalt, torrt rum med lämplig ventilation.
- Kontrollera att apparaten inte utsätts för direkt solljus och placera den aldrig nära en direkt värmekälla (t.ex. ett element).
  - För energieffektivitet rekommenderas att inte blockera ventiler eller galler.
  - Låt varma livsmedel svalna innan du ställer in dem i apparaten.
  - Tina upp frysta livsmedel i kylskåpet. På så sätt används den frysta produktens temperatur till att kyla livsmedel i kylskåpet.
  - Lämna inte apparatens dörr öppen under en längre tid när du ställer in eller plockar ut livsmedel.
  - Ju kortare tid dörren är öppen, desto mindre is skapas i frysen.
  - Rengör kylskåpets baksida regelbundet. Dammansamlingar ökar energiförbrukningen.
  - Ställ inte in temperaturen på mer kyla än vad som är nödvändigt.
  - Se till att tillräckligt mycket luft kan tränga ut under kylskåpet och på kylskåpets baksida. Täck inte över ventilationsöppningarna.
  - Lämna tillräckligt med utrymme åt höger, vänster, bak och ovanpå under installationen. Detta bidrar till att minska energiförbrukningen och hålla nere elkostnaderna.



- 
- Välj ett utrymmesdjup på 560 mm. Ett mindre utrymmesdjup leder till högre energiförbrukning.

**Denna apparat är avsedd för användning i hushåll och liknande användningsområden som:**

- personalkök i butiker, kontor eller andra arbetsomgivningar
- på bondgårdar och för gäster på hotell, motell och andra bostadsomgivningar
- i bed-and-breakfast-liknande omgivningar
- catering och liknande ej kommersiella användningsområden.

## **Allvarliga varningsmeddelanden för transport och leverans**

---

### **⚠ VARNING**

- Under transport och installation av apparaten ska åtgärder vidtas för att garantera att inga delar av kylslingan skadas.
  - Kylmedel som läcker från rören kan antändas eller orsaka ögonskada. Om en läcka upptäcks ska öppen eld eller andra möjliga antändningskällor undvikas och rummet i vilket apparaten befinner sig ska vädras i flera minuter.

## Säkerhetsinformation

---

- Den här apparaten innehåller en liten mängd kylmedel isobutan (R-600a) – en miljövänlig naturgas som dock även är brännbar. Under transport och installation av apparaten ska åtgärder vidtas för att garantera att inga delar av kylslingen skadas.

## Kritiska installationsvarningar

---

### **VARNING**

- Installera inte kylskåpet på en fuktig plats eller en plats där det kan komma i kontakt med vatten.
  - Sliten isolering på elektriska delar kan orsaka elstötar eller brand.
- Placera inte kylskåpet i direkt solljus och utsätt det inte för värme från spisar, element eller andra apparater.
- Anslut inte flera apparater till samma grenuttag. Kylskåp ska alltid anslutas till ett eget strömuttag med en märkspänning som matchar angiven spänning på kylskåpets typskylt.
  - Detta ger bästa prestanda och förhindrar också överbelastning på husets elinstallation, vilket skulle kunna orsaka brand från överhettade ledningar.
- Om vägguttaget sitter löst ska du inte ansluta kontakten.
  - Det finns risk för elstötar eller brand.
- Använd inte en nätsladd som är sprucken eller sliten på längden eller i ändarna.
- Böj inte strömsladden för mycket och placera inte tunga föremål på den.
- Dra inte i och böj inte strömsladden överdrivet mycket.

- 
- Vrid och knyt inte strömsladden.
  - Häng inte upp strömsladden över ett metallföremål, placera inte ett tungt föremål på strömsladden, stick inte in strömsladden mellan föremål och tryck inte in strömsladden i området bakom apparaten.
  - Var försiktig när du flyttar på kylskåpet så att du inte kör över eller skadar strömsladden.
    - Detta kan resultera i elstötar eller brand.
  - Koppla aldrig bort kylskåpet genom att dra i nätsladden. Håll alltid i kontakten med ett fast tag och dra rakt ut från eluttaget.
    - Skada på sladden kan orsaka kortslutning, brand och/eller elstötar.
  - Använd inte aerosoler nära kylskåpet.
    - Aerosoler som används nära kylskåpet kan orsaka explosion eller brand.
  - Installera inte den här apparaten nära ett element eller lättantändligt material.
  - Installera inte den här apparaten på en plats där det läcker ut gas.
    - Detta kan resultera i elstötar eller brand.
  - Det här kylskåpet måste placeras och installeras korrekt i enlighet med instruktionerna i denna bruksanvisning innan det används.
  - Anslut kontakten i rätt position med sladden hängande.
    - Om du ansluter kontakten upp och ned kan ledningen gå av och orsaka brand eller elstötar.
  - Kontrollera att kontakten inte krossas eller skadas av kylskåpets baksida.

## Säkerhetsinformation

---

- Håll förpackningsmaterialet utom räckhåll för barn.
  - Det finns risk för dödsfall till följd av kvävning om ett barn placerar förpackningsmaterialet över huvudet.
- Installera inte den här apparaten på en fuktig, oljig eller dammig plats, eller på en plats där den utsätts för direkt solljus och vatten (regndroppar).
  - Sliten isolering på elektriska delar kan orsaka elstötår eller brand.
- Om det finns damm eller vatten i kylskåpet ska du dra ur kontakten och kontakta ett Samsung Electronics-servicecenter.
  - Annars finns det en risk för brand.
- Stå inte ovanpå apparaten och placera inte objekt (t.ex. tvätt, tända ljus, tända cigaretter, tallrikar, kemikalier, metallobjekt o.s.v.) på apparaten.
  - Detta kan resultera i elstötår, brand, problem med produkten eller personskada.
- Du måste avlägsna all skyddande plastfilm innan du kopplar in produkten första gången.
- Barn ska övervakas så att de inte leker med låsringarna som används för att ställa in dörren eller vattenslangsklämmorna.
  - Det finns risk för dödsfall genom kvävning om ett barn sväljer en låsring eller en vattenslangsklämma. Håll låsringarna och vattenslangsklämmorna utom räckhåll för barn.
- Kylskåpet måste anslutas till jord på ett säkert sätt.
  - Se alltid till att du har jordat kylskåpet innan du undersöker eller försöker reparera någon del i apparaten. Strömläckage kan orsaka allvarliga elstötår.

- 
- Använd aldrig gasledning, telefonledningar eller andra potentiella åskledare som jord.
    - Du måste jorda kylskåpet för att förhindra strömläckage och elstötar till följd av strömläckage från kylskåpet.
    - Detta kan resultera i en elektrisk kortslutning, brand, explosion eller problem med produkten.
  - Sätt i kontakten ordentligt i vägguttaget. Använd inte en skadad kontakt, skadad strömsladd eller ett vägguttag som sitter löst.
    - Detta kan resultera i elstötar eller brand.
  - Kylskåpets säkring ska bytas av en kvalificerad tekniker eller ett serviceföretag.
    - Om du inte gör det kan det resultera i elstötar eller personskada.
  - Den här apparaten är en inbyggd modell som behöver guidad ventilation. För att undvika explosionsrisk ska du se till att det finns utrymme för ventilation.
  - Kylskåpets säkring ska bytas av en kvalificerad tekniker eller ett serviceföretag. Om du inte gör det kan det resultera i elstötar eller personskada.

# Säkerhetsinformation

---

## Försiktighetsåtgärder vid installation

---

### **VAR FÖRSIKTIG**

- Tillåt tillräckligt med utrymme runtomkring kylskåpet och installera det på en jämn yta.
  - Om kylskåpet inte står jämt kan kylningseffektiviteten och hållbarheten minska.
- Efter att du har installerat och slagit på apparaten ska du låta den stå i 2-3 timmar innan du fyller den med livsmedel.
- Vi rekommenderar starkt att du låter en kvalificerad tekniker eller ett serviceföretag installera kylskåpet.
  - Om du inte gör det kan det resultera i elstötar, brand, explosion, problem med produkten eller personskada.

## Kritiska varningar för användning

---

### **VARNING**

- Sätt inte i kontakten i vägguttaget med våta händer.
  - Detta kan resultera i elstötar.
- Förvara inte föremål ovanpå enheten.
  - När du öppnar eller stänger dörren kan föremål falla ned och orsaka personskada och/eller materialskada.
- Stick inte in händerna, fötterna eller metallföremål (exempelvis metallpinnar) under eller bakom kylskåpet.
  - Detta kan resultera i elstötar eller personskada.
  - Vassa kanter kan orsaka personskada.

- 
- Vidrör inte insidan av frysens väggar eller produkter som förvaras i frysen med våta händer.
    - Detta kan orsaka köldskador.
  - Ställ inte en vattenfylld behållare ovanpå kylskåpet.
    - Spillt vatten kan leda till brand eller elstötar.
  - Förvara inte flyktiga eller lättantändliga föremål eller ämnen (bensen, thinner, propangas, alkohol, eter, LP-gas och andra liknande produkter) i kylskåpet.
    - Det här kylskåpet är endast för att förvara livsmedel.
    - Detta kan resultera i brand eller explosion.
  - Barn ska övervakas av en vuxen så att de inte leker med apparaten.
    - Håll fingrarna utanför "klämpunkts"-områden. Spelen mellan dörrarna och skåpet är mycket litet. Var försiktig när du öppnar dörrar om barn befinner sig i området.
  - Placera inte dina eller barns fingrar mellan dörrarna.
    - Håll fingrar borta från mellanrummen vid höger och vänster dörr. Var försiktig när du öppnar dörrarna om du har fingrarna mellan dörrarna.
  - Låt inte barn hänga på dörren eller dörrlådorna. Det kan leda till allvarlig personskada.
  - Låt inte barn gå in i kylskåpet. De kan bli inlåsta.
  - För inte in händerna i den nedre delen på apparatens undersida.
    - Eventuella vassa kanter kan orsaka personskada.
  - Förvara inte läkemedel, vetenskapsmaterial eller produkter som är känsliga för låga temperaturer i kylskåpet.
    - Produkter som kräver strikta temperaturkontroller får inte förvaras i kylskåpet.

## Säkerhetsinformation

---

- Om det luktar läkemedel eller rök ska du omedelbart dra ut kontakten och kontakta Samsung Electronics servicecenter.
- Om det finns damm eller vatten i kylskåpet ska du dra ur kontakten och kontakta ett Samsung Electronics-servicecenter.
  - Annars finns det en risk för brand.
- Låt inte barn kliva på en låda.
  - Lådan kan gå sönder och få dem att halka.
- Lämna inte kylskåpsdörrarna öppna medan kylskåpet inte används och låt inte barn stiga in i kylskåpet.
- Låt inte spädbarn eller barn gå in i lådan.
  - Det kan orsaka dödsfall från kvävning genom klämning, eller personskada.
- Fyll inte kylskåpet med för mycket mat.
  - När du öppnar dörren kan föremål falla ut och orsaka personskada eller materialskada.
- Spreja inte flyktiga material som insektsmedel på apparatens yta.
  - Förutom att det är skadligt för människor kan det också orsaka elstötar, brand eller problem med produkten.
- Använd inte och placera inte ämnen som är temperaturkänsliga, t.ex. lättantändliga sprejer, lättantändliga föremål, torris, medicin eller kemikalier i närheten av kylskåpet.
- Använd inte en hårtork till att torka insidan av kylskåpet. Placera inte ett tält ljus i kylskåpet för att ta bort dålig lukt.
  - Detta kan resultera i elstötar eller brand.



- 
- Stå inte ovanpå apparaten och placera inte objekt (t.ex. tvätt, tända ljus, tända cigaretter, tallrikar, kemikalier, metallobjekt o.s.v.) på apparaten. Detta kan resultera i elstötar, brand, problem med produkten eller personskada. Ställ inte en vattenfylld behållare ovanpå apparaten.
    - Spillt vatten kan leda till brand eller elstötar.
  - Titta aldrig direkt in i UV LED-lampan under en längre tid.
    - Detta kan resultera i ansträngda ögon från det ultravioletta ljuset.
  - Placera inte hyllan upp och ned. Hyllstoppen fungerar eventuellt inte.
    - Det kan leda till personskada på grund av att glashyllan faller ned.
  - Om en gasläcka upptäcks ska öppen eld eller andra möjliga antändningskällor undvikas och rummet i vilket enheten befinner sig ska vädras i flera minuter.
    - Vidrör inte apparaten eller sladden.
    - Använd inte en fläkt.
    - Detta kan orsaka en gnista som resulterar i explosion eller brand.
  - Flaskor bör förvaras tätt tillsammans så att de inte ramlar ut.
  - Den här produkten är endast avsedd för förvaring av livsmedel i hemmiljö.
  - Försök inte att reparera, demontera eller modifiera kylskåpet på egen hand.
    - Obehöriga modifieringar kan leda till säkerhetsproblem. Vi kommer att debitera full kostnad för delar och arbete om du vill ändra tillbaka en obehörig modifiering.

## Säkerhetsinformation

---

- Använd inte andra säkringar (exempelvis koppar, ståltråd o.s.v.) än en standardsäkring.
- Om kylskåpet måste repareras eller installeras om ska du kontakta närmsta servicecenter.
  - Om du inte gör det kan det resultera i elstötar, brand, problem med produkten eller personskada.
- Om det luktar bränt eller kommer rök från kylskåpet ska du omedelbart koppla bort kylskåpet och kontakta ett Samsung Electronics-servicecenter.
  - Om du inte gör det kan det resultera i fara för elstötar eller brand.
- Dra ut kontakten ur vägguttaget innan du byter lampor i kylskåpet.
  - Annars finns det risk för att brand eller elstötar uppstår.
- Om du har problem med att byta en lampa som inte är LED ska du kontakta ett Samsung-servicecenter.
- Sätt i kontakten ordentligt i vägguttaget.
- Använd inte en skadad strömsladd eller ett vägguttag som sitter löst.
  - Detta kan resultera i elstötar eller brand.

## Försiktighetsåtgärder vid användning

---

### **VAR FÖRSIKTIG**

- Frys inte om upptinad mat.
  - Fryst och upptinad mat utvecklar skadliga bakterier snabbare än färsk mat.
  - Den andra upptiningen bryter ned ännu fler celler, avger fukt och ändrar produktens tillstånd.

- 
- Tina inte upp kött i rumstemperatur.
    - Säkerheten beror på om den råa produkten har hanterats korrekt.
  - Placera inte glasflaskor eller kolsyrade drycker i frysen.
    - Behållaren kan frysa och gå sönder, vilket kan resultera i skada.
  - Använd endast ismaskinen som följer med kylskåpet.
  - För att få bästa prestanda med produkten:
    - Placera inga livsmedel framför ventilationen på kylskåpets baksida, eftersom det kan hindra den fria luftcirkulationen i kylfacket.
    - Paketera livsmedel korrekt eller stoppa det i en lufttät behållare innan du ställer in det i kylskåpet.
    - Beakta längsta förvaringstider och utgångsdatum för frysta varor.
    - Du behöver inte koppla bort kylskåpet från strömmen om du ska vara borta i mindre än tre veckor. Om du ska vara borta i mer än tre veckor ska du dock ta bort all mat och ishinken, koppla bort kylskåpet, stänga vattenventilen, torka bort överbliven fukt från väggarnas insida och lämna dörrarna öppna för att undvika odörer och mögel.
  - Servicegaranti och modifieringar
    - Alla ändringar eller modifieringar som utförs av tredje part på den här slutförda apparaten täcks inte av Samsungs garantitjänst och är inte heller Samsungs ansvar gällande säkerhetsproblem som resultat av tredje parts modifieringar.

## Säkerhetsinformation

---

- Blockera inte luftöppningarna inuti kylskåpet.
  - Om luftöppningarna blockeras, särskilt med plastpåsar, kan kylskåpet bli överkyllt.
- Torka bort överskottsfukt från insidan och låt dörrarna vara öppna.
  - Annars kan det bildas dålig lukt och mögel.
- Om kylskåpet kopplas bort från elnätet ska du vänta i minst fem minuter innan du ansluter det igen.
- Om kylskåpet blir fuktigt av vatten ska du dra ut kontakten och kontakta Samsung Electronics servicecenter.
- Slå inte på och applicera inte för mycket kraft på någon glasyta.
  - Trasigt glas kan orsaka personskador och/eller skador på egendom.
- Var försiktig så att fingrarna inte fastnar.
- Om kylskåpet svämmar över ska du kontakta närmaste servicecenter.
  - Det finns risk för elstötar eller brand.
- Förvara inte vegetabilisk olja i kylskåpets dörrfack. Oljan kan stelna och få dålig smak och göra den svår att använda. Dessutom kan den öppna behållaren läcka och den spillda oljan kan leda till att dörrfacket spricker. När du har öppnat en oljebehållare är det bäst att förvara den på en sval och skuggig plats, t.ex. i ett skåp eller ett skafferi.
  - Exempel på vegetabilisk olja är: olivolja, majsolja, druvkärneolja etc.

---

## Försiktighetsåtgärder vid rengöring

---

### **VAR FÖRSIKTIG**

- Spreja inte vatten direkt på kylskåpets insida eller utsida.
  - Det finns risk för brand eller elstötar.
- Använd inte en hårtork till att torka insidan av kylskåpet.
- Placera inte ett tänd ljus i kylskåpet för att ta bort dålig lukt.
  - Detta kan resultera i elstötar eller brand.
- Spreja inte rengöringsmedel direkt på displayen.
  - Tryckta bokstäver på displayen kan lossna.
- Om ett främmande ämne, t.ex. vatten, har kommit in i apparaten ska du dra ut kontakten och kontakta närmaste servicecenter.
  - Om du inte gör det kan det resultera i elstötar eller brand.
- Använd en ren, torr trasa för att torka bort främmande ämnen eller damm från kontaktens blad. Använd inte en blöt eller fuktig trasa när du gör rent kontakten.
  - Annars finns det risk för brand eller elstötar.
- Gör inte rent apparaten genom att spreja vatten direkt på den.
- Använd inte bensen, thinner, klorox eller klorid för rengöring.
  - De kan skada ytan på enheten och orsaka brand.
- Innan rengöring eller underhåll ska du koppla bort apparaten från vägguttaget.
  - Om du inte gör det kan det resultera i elstötar eller brand.

## Säkerhetsinformation

---

- Använd en ren svamp eller mjuk trasa och ett svagt rengöringsmedel i varmt vatten för att göra rent kylskåpet.
- Använd inte slipande eller hårda rengöringsmedel, t.ex. fönsterputs, skurande rengöringsmedel, lättantändliga vätskor, saltsyra, rengöringsvax, koncentrerade tvättmedel, blekmedel eller rengöringsmedel som innehåller petroleumprodukter på de utvändiga ytorna (dörrar och skåp), plastdelar, dörrfoder och invändigt foder och packningar.
  - De kan skrapa eller skada materialet.
- Rengör inte glasytorna eller hölkena med varmt vatten när de är kalla. Glashyllor och höljen kan spricka om de utsätts för plötsliga temperaturförändringar eller slag, t.ex. stötar eller fall.

## Kritiska varningar för kassering

---

### **VARNING**

- Återvinn eller kassera produktens förpackningsmaterial på ett miljövänligt sätt.
- Kontrollera att inga av rören på kylskåpets baksida är skadade före kassering.
- När du kasserar det här kylskåpet ska du ta bort dörren/dörrtätningen och dörrlåset så att små barn eller djur inte kan fastna i det. Barn ska övervakas av en vuxen så att de inte leker med apparaten. Om barn fastnar inuti kan de skadas och kvävas till döds.
  - Om barn fastnar inuti apparaten kan de skadas och kvävas till döds.

- 
- Cyklopentan används i isoleringen. Gaserna i isoleringsmaterialet kräver en speciell avfallshantering. Kontakta din lokala myndighet för miljöanpassad säker återvinning av produkten.
  - Förvara allt förpackningsmaterial på avstånd från barn, eftersom förpackningsmaterial kan vara farliga för dem.
    - Om ett barn placerar en påse över huvudet kan barnet kvävas.

## Fler tips för korrekt användning

---

- Vid ett eventuellt strömavbrott ska du kontakta ditt elbolags lokala kontor och fråga hur länge det beräknas pågå.
  - De flesta strömavbrott åtgärdas inom en timme eller två och påverkar inte temperaturen i ditt kylskåp. Du ska dock minimera antalet gånger dörren öppnas när strömmen är fränkopplad.
  - Om strömavbrottet pågår i mer än 24 timmar ska du plocka bort och kassera all fryst mat.
- Kylskåpet fungerar eventuellt inte konsistent (fryst innehåll kan tina eller temperaturen kan bli för hög i frysfacket) om det under en längre tid placeras på en plats där omgivningens lufttemperatur konstant är lägre än temperaturen som apparaten är utformad för.
- För vissa, särskilda livsmedel kan det på grund av deras egenskaper vara dåligt för konserveringen att hålla dem frysta.

## Säkerhetsinformation

---

- Din apparat är frostfri, vilket innebär att du inte behöver frosta av den manuellt. Det sker automatiskt.
- Temperaturstigningar under avfrostningen uppfyller ISO-krav. Om du vill förhindra en otillbörlig temperaturökning för den frusna maten under avfrostning av apparaten ska du vira in fryst mat i flera lager tidningspapper.
- Frys inte redan frysta livsmedel igen om de har tinat helt.
- Temperaturen i den tvåstjärniga sektionen (sektionerna) eller facket (facken) som har en symbol med två stjärnor (☆☆) är lite högre än i de andra frysacken. De sektioner eller fack som är tvåstjärniga anges i instruktionerna och/eller leveransvillkoren.



---

## Instruktioner om WEEE

---



Korrekt avfallshantering av produkten (elektriska och elektroniska produkter)  
(Gäller i länder med separata insamlingssystem)

Denna symbol på produkten, tillbehören och i manualen anger att produkten och de elektroniska tillbehören (t.ex. laddare, headset, USB-kabel) inte bör sorteras tillsammans med annat hushållsavfall när de kasseras. Dessa föremål bör hanteras separat för ändamålsenlig återvinning av beståndsdelarna för att förhindra fara för hälsa och miljö.



Hushållsanvändare bör kontakta återförsäljaren som sålt produkten eller kommunen för vidare information om var och hur produkten och tillbehören kan återvinnas på ett miljösäkert sätt.

Företagsanvändare bör kontakta leverantören samt verifiera angivna villkor i köpekontraktet. Produkten och de elektroniska tillbehören bör inte hanteras tillsammans med annat kommersiellt avfall.

Information om Samsungs miljöinsatser och produktregleringskrav, t.ex. REACH, WEEE och batterier finns på vår hållbarhetssida på [www.samsung.com](http://www.samsung.com).

(Endast för produkter som säljs i europeiska länder och Storbritannien)

# Installation

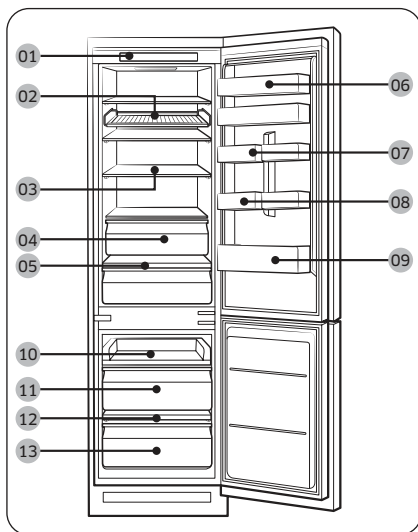
Följ de här instruktionerna noggrant för att garantera en korrekt installation av kylskåpet och för att undvika skador innan du använder det.

## ⚠ VARNING

- Använd bara den här apparaten i det syfte den är avsedd för och enligt den här bruksanvisningen.
- All eventuell service måste utgöras av en kvalificerad tekniker.
- Kassera produktförpackningens material enligt de lokala bestämmelserna.
- För att undvika elstötar ska du koppla bort strömsladden innan service eller byte.

## En överblick över kylskåpet

Det faktiska utseendet och medföljande delar till kylskåpet kan skilja sig åt beroende på modell och land.



- 01 Kontrollpanel
- 02 Vinhylla \*
- 03 Kylskåpshylla \*
- 04 Kylskåpslåda \*
- 05 Grönsakshylla \*
- 06 Övre dörrfack \*
- 07 Variationsdörrfack
- 08 Äggfack \*
- 09 Fack i kylskåpsdörren
- 10 Glidhylla
- 11 Fryslåda i mitten
- 12 Fryshylla \*
- 13 Nedersta fryslådan

\* Endast på tillämpliga modeller

## 📖 OBS!

- För bästa energieffektivitet ska du se till att alla hyllor, lådor och korgar är placerade på sina originalplatser.
- Endast för modeller som har en fryshylla:
  - För att snabbt frysa stora mängder mat ska du använda frysen efter att du har tagit bort frysens nedersta låda.
  - För att få mer utrymme kan du ta bort glidhyllan (10) och två fryslådor (11, 13) under den, men behåll fryshyllan på frysens nedersta låda. Det påverkar inte de termiska och mekaniska funktionerna. Deklarerad förvaringsvolym för fryst mat i förvaringsfacken beräknas med hyllan och fryslådorna borttagna.

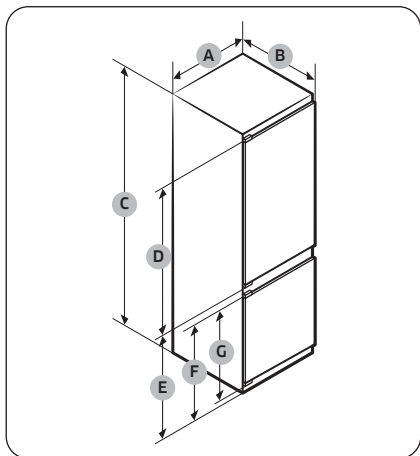
## Stegvis installation

### STEG 1 Välj en plats

#### Platskrav:

- Solid nivåutjämning utan mattor eller golv som blockerar ventilationen
- Borta från direkt solljus
- Lämpligt med utrymme för att öppna och stänga dörren.
- Håll borta från en värmekälla
- Rum för underhåll och service

#### Produktens mått

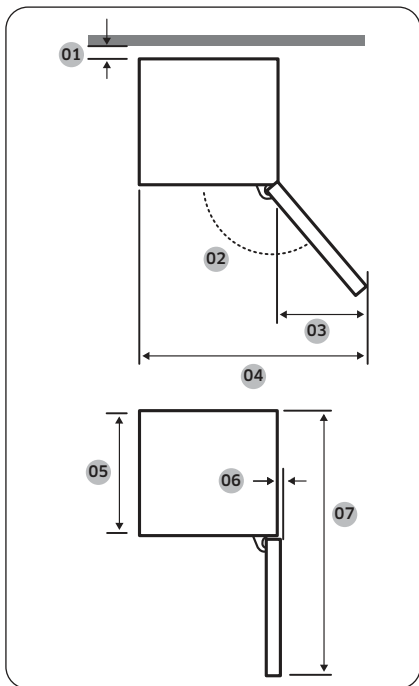


|   | BRB***26"          | BRB***30"          |
|---|--------------------|--------------------|
| A | 540 ± 2            | 540 ± 2            |
| B | 550 ± 2 (med dörr) | 550 ± 2 (med dörr) |
| C | 1775 ± 2           | 1935 ± 2           |
| D | 987                | 1147               |
| E | 735                | 735                |
| F | 671                | 671                |
| G | 621                | 621                |

(enhet: mm)

# Installation

## Övergripande produktmått



| Modell | BRB*****SO<br>GLIDTYP          | BRB*****FO<br>FAST TYP |
|--------|--------------------------------|------------------------|
| 01 *   | 10 (min.) / 30 (rekommenderat) |                        |
| 02     | 95° (rekommenderat)            | 115° (rekommenderat)   |
| 03     | 218                            | 180                    |
| 04     | 758                            | 700                    |
| 05     | 510                            | 510                    |
| 06     | 1                              | 5                      |
| 07     | 1055                           | 1055                   |

\* 01: Från skåp till produktens baksida.  
(enhet: mm)

### OBS!

- Specifierad energiförbrukning är baserad på förhållandet med ett 10 mm spel från skåpet till produktens baksida. Produkten fungerar som den ska även med ett spel på mindre än 10 mm, men förbrukar lite mer energi.
- Vi rekommenderar att du använder ett skåp som är 18 mm tjockt med gångjärn som inte är bredare än 20 mm.

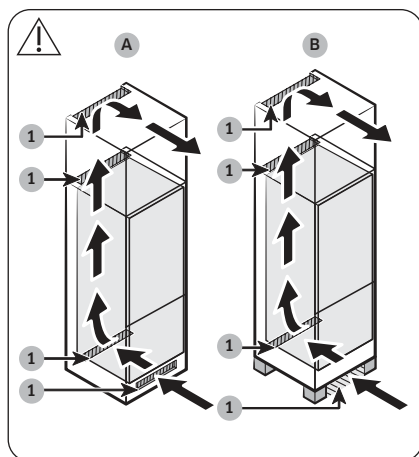
### OBS!

- Måtten i tabellen ovan kan variera beroende på mätmetoden.
- Se installationsmanualen för inbyggd installation.

## Skåpets ventilationssystem

Som bilden visar cirkulerar luften som kommer in i kylskåpet i skåpets ventilationsriktning (se pilarnas riktning). Skåpet måste ha minst 200 cm<sup>2</sup> (B x H: 500 mm x 40 mm) utrymme för luftintaget och luftutsläppet. Skåpet måste dessutom ha en bakre öppning på minst 200 cm<sup>2</sup> (B x H: 500 mm x 40 mm) längst ned på baksidan.

### Luftintag

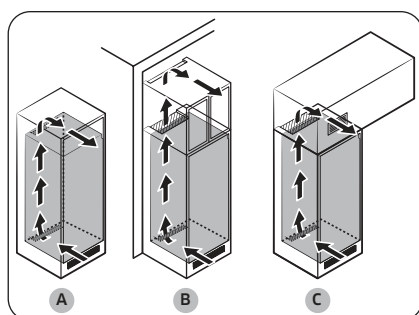


|   |                     |
|---|---------------------|
| 1 | 200 cm <sup>2</sup> |
|---|---------------------|

Luftintaget måste placeras som i ett av exemplen nedan, eller i en liknande position, beroende på skåpstyp.

- A. Ett ventilationshål inkluderat i skåpet.
- B. Ett skåp med fötter.

### Luftutsläpp



Luftutsläppet måste placeras som i ett av exemplen nedan, eller i en liknande position, beroende på skåpstyp.

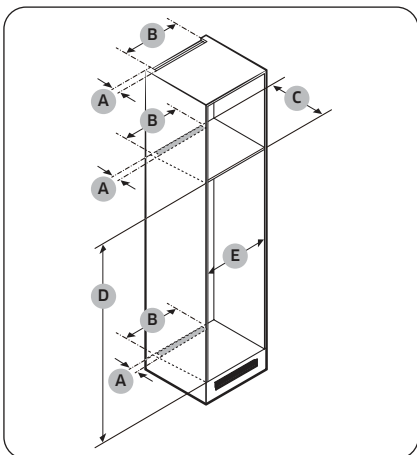
- A. Precis ovanför kylskåpet, med ett galler om så önskas
- B. Nära skåpets tak
- C. Ovanför kylskåpet med en separat inbyggd öppning

### ⚠ VAR FÖRSIKTIG

Luftventilationssystemet får inte blockeras av en installation av något slag, oavsett hur skåpdesignen ser ut.

# Installation

## Skåpets mått



### ⚠ VAR FÖRSIKTIG

Om skåpet är försett med en dörr ska du kontrollera att dörren inte är så tung att den kan tippa eller lossna.

| Skåpets dörr  | Tjocklek (mm)      | Vikt (kg) |
|---------------|--------------------|-----------|
| Kylskåpssidan | Min. 16<br>Max. 19 | Max. 18   |
| Fryssidan     |                    | Max. 12   |

Eventuella produktfel som beror på följande täcks inte av garantin.

1. Otillbörlig placering eller felaktiga skåpmått
2. Defekt skåp
3. Installatörens eller användarens misstag

## Spel

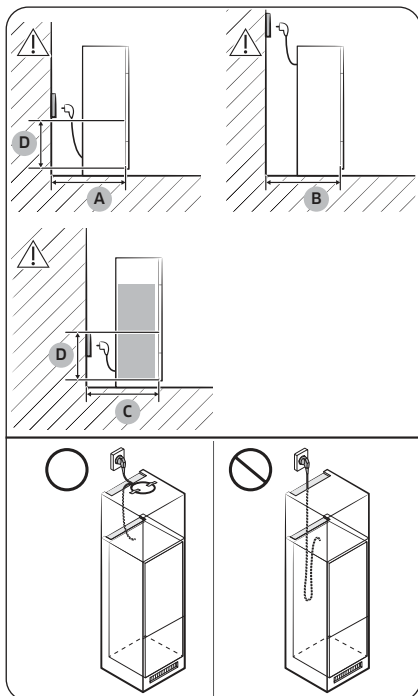
Se bilderna och tabellerna nedan för krav på utrymme vid installation.

| Modell                   |               | A (mm) | B (mm) | C (mm) | D (mm) | E (mm) | Anmärkning      |
|--------------------------|---------------|--------|--------|--------|--------|--------|-----------------|
| BRB***26**S0<br>GLIDTYP  | Min.          | 40     | 500    | 560    | 1778   | 560    |                 |
|                          | Rekommenderas |        |        | 580    | 1780   | 562    |                 |
|                          | Max.          |        |        | -      | 1782   | 568    |                 |
| BRB***26**F0<br>FAST TYP | Min.          | 40     | 500    | 560    | 1778   | 555    | Gångjärn: 17 mm |
|                          | Rekommenderas |        |        | 580    | 1780   | 562    |                 |
|                          | Max.          |        |        | -      | 1782   | 568    |                 |
| BRB***30**S0<br>GLIDTYP  | Min.          | 40     | 500    | 560    | 1938   | 560    |                 |
|                          | Rekommenderas |        |        | 580    | 1940   | 562    |                 |
|                          | Max.          |        |        | -      | 1942   | 568    |                 |
| BRB***30**F0<br>FAST TYP | Min.          | 40     | 500    | 560    | 1938   | 555    | Gångjärn: 17 mm |
|                          | Rekommenderas |        |        | 580    | 1940   | 562    |                 |
|                          | Max.          |        |        | -      | 1942   | 568    |                 |

### 📌 OBS!

- Om bredden på skåpet är större än 568 mm, kan packningen (mellan kylskåpet och skåpet) lossna.
- Om skåpet är högre än det maximala måttet (1782 mm) måste du använda andra ytbehandlingsmaterial för att fylla spelet.

## Beaktande av plats för uttag och erforderligt utrymme



|   |          |
|---|----------|
| A | Min. 590 |
| B | Min. 560 |
| C | Min. 580 |
| D | 240      |

(enhet: mm)

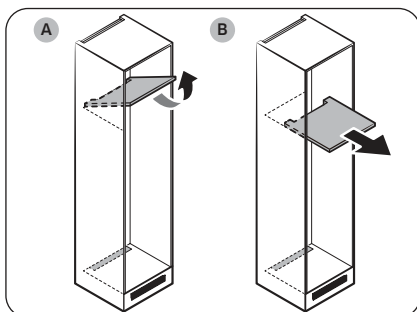
### **OBS!**

Om du installerar kylskåpet i ett skåp med ett djup på 560 mm ska du säkerställa att strömsladden är placerad på sidan av kylskåpet innan du ansluter den till ett vägguttag. Om strömsladden är placerad på baksidan av kylskåpet kan det minska energieffektiviteten.

# Installation

## Skåptyp

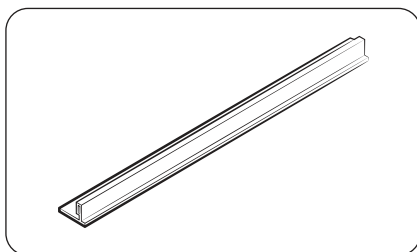
Följande skåptyper rekommenderas:



### **OBS!**

Om du använder en av dessa skåptyper behöver du inte ta ut huvudenheten ur skåpet när ett trasigt huvudmönsterkort behöver lagas. Om en annan skåptyp används måste huvudenheten tas ut ur skåpet för att lagas.

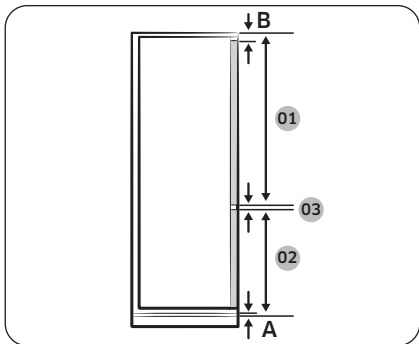
- A. Fällbar typ
- B. Glidbar typ



### **OBS!**

- Användning av ett skåp med icke rekommenderad storlek kan leda till att packningen mellan kylskåpet och skåpet lossar efter att kylskåpet har placerats i skåpet.





### **OBS!**

Om du ska installera ett skåp som kräver ett mellanrum på 3 mm (03) ska du titta i skåppreferenstabellen nedan.

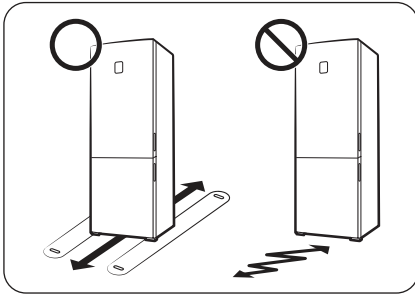
| Modell | BRB***26**S0<br>GLIDTYP             | BRB***26**FO<br>FAST TYP       |
|--------|-------------------------------------|--------------------------------|
| 01     | Min. 1041 + B<br>Max. 1102 + B      | Min. 1063 + B<br>Max. 1076 + B |
| 02     | Min. 670 + A<br>Max. 731 + A        | Min. 696 + A<br>Max. 709 + A   |
| 03     | 3 mm<br>(kyl- och frysdörrens spel) |                                |

| Modell | BRB***30**S0<br>GLIDTYP             | BRB***30**FO<br>FAST TYP       |
|--------|-------------------------------------|--------------------------------|
| 01     | Min. 1204 + B<br>Max. 1262 + B      | Min. 1223 + B<br>Max. 1236 + B |
| 02     | Min. 670 + A<br>Max. 731 + A        | Min. 696 + A<br>Max. 709 + A   |
| 03     | 3 mm<br>(kyl- och frysdörrens spel) |                                |

- A. Den nedre kanten på den främre panelen ovanför luftventilationen
- B. Frontpanelens utskjutande del

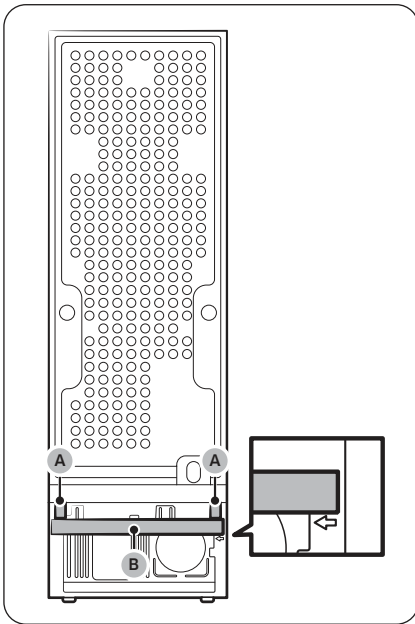
# Installation

## STEG 2 Golv



- Ytan som kylskåpet ska installeras på måste stöda kylskåpets hela vikt.
- För att skydda golvet ska du placera en stor bit kartong under varje fot på kylskåpet.
- När kylskåpet är i den slutgiltiga positionen ska du inte flytta på det förutom om du måste skydda golvet. Om du måste göra det ska du använda tjockt papper eller tyg, t.ex. en gammal matta, längs med rörelsevägen.

## STEG 3 Utrymme (endast på tillämpliga modeller)



Fäst brickorna (A) och svampen (B) som visas på bilden för optimal energieffektivitet.

### ⚠ VAR FÖRSIKTIG

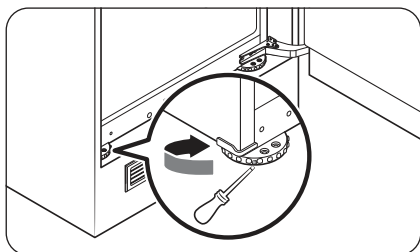
Om kylskåpet inte står jämt med skåpet kan du skär brickorna så att kylskåpet står jämnt med skåpet, men optimal energieffektivitet kan inte garanteras.

## STEG 4 Ställa in nivåbenen

### ⚠ VAR FÖRSIKTIG

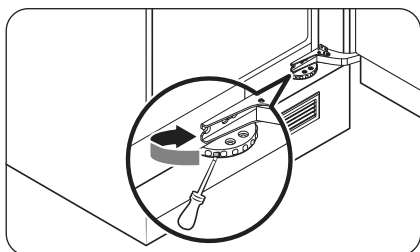
- Kylskåpet måste stå plant på ett jämt, fast golv. Om det inte gör det kan det orsaka skada på kylskåpet eller personskada.
- Nivåinställningen måste utföras med kylskåpet tomt. Se till att det inte finns några livsmedel kvar i kylskåpet.

Kylskåpet kan ställas rakt med hjälp av de främre benen som har en särskild skruv (nivåskruv) för detta ändamål. Använd en spårmejsel för att ställa in dem.



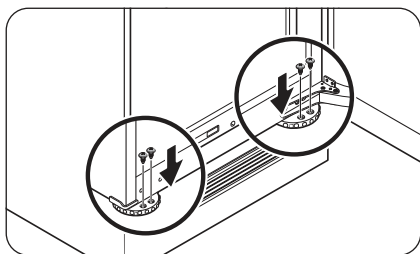
### Så här ställer du in höjden på vänster sida:

För in en spårmejsel i nivåskruven på det främre vänstra benet. Vrid nivåspaken motsols för att höja och medsols för att sänka.



### Så här ställer du in höjden på höger sida:

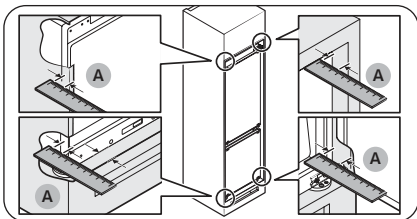
För in en spårmejsel i nivåskruven på det främre högra benet. Vrid nivåspaken motsols för att höja och medsols för att sänka.



### 📖 OBS!

Se till att det finns ett mellanrum på 41 mm (A) för såväl glidande som fast gångjärn mellan kylskåpet och skåpet eller alkoven. Fäst sedan frambenen med skruvarna.

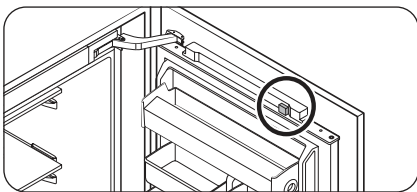
# Installation



## STEG 5 Första inställningen

Om du utför följande steg ska kylskåpet vara fullt funktionsdugligt.

1. Avlägsna skumlagret av PE från varje hyllkant som är fäst för att skydda kylskåpet under transport.
2. Öppna dörren och kontrollera att den invändiga lampan tänds.



3. Avlägsna PE-skummet från magneten i övre delen av dörren.

4. Ställ in temperaturkontrollen på den kallaste temperaturen och vänta i ca en timme. Efter en timme är frysen lätt kyld och motorn körs mjukt.
5. Vänta tills kylskåpet når angiven temperatur. Nu är kylskåpet redo att användas.

### OBS!

När kylskåpet startas kommer alarmet att ljuda. För att stänga av alarmet tryck på **Freezer (Frys)** eller **Fridge (Kylskåp)**.

---

## STEG 6 Temperaturalarm (endast på tillämpliga modeller)

---

### Typ 1

- Om frysacket är för varmt blinkar "- -" på kylskåpets temperaturdisplay tillsammans med ett alarm. Detta kan hända om frysen blir för varm eller vid ett strömavbrott.
- Om det händer ska du trycka på **Freezer (Frys)** eller **Fridge (Kylskåp)**. Oavsett vilken visas den varmare temperaturen i 5 sekunder. Sedan visas den faktiska temperaturen. Om du vill inaktivera alarmet ska du trycka på **Door Alarm (Dörralarm)**.

### Typ 2

- Om frysacket är för varmt blinkar kylskåpets temperaturindikator tillsammans med ett alarm. Detta kan hända om frysen blir för varm eller vid ett strömavbrott. Om du vill stänga av alarmet trycker du på **Freezer (Frys)** eller **Fridge (Kylskåp)**.

## STEG 7 Slutkontroll

---

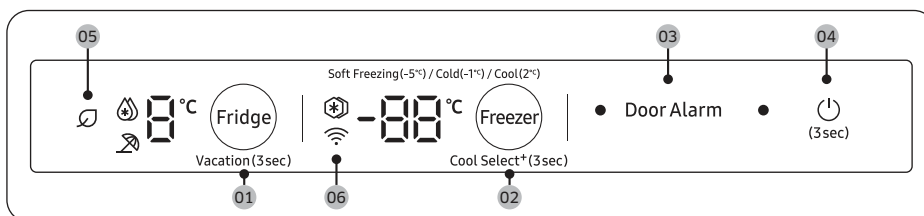
När installationen är klar ska du kontrollera att:

- Kylskåpet är anslutet till ett eluttag och korrekt jordat.
- Kylskåpet är installerat på en plan, jämn yta med lämpligt mellanrum mellan väggen och skåpet.
- Kylskåpet är jämnt och står stadigt på möbeln.
- Dörren öppnar och stänger utan problem och att den invändiga lampan tänds automatiskt när du öppnar dörren.

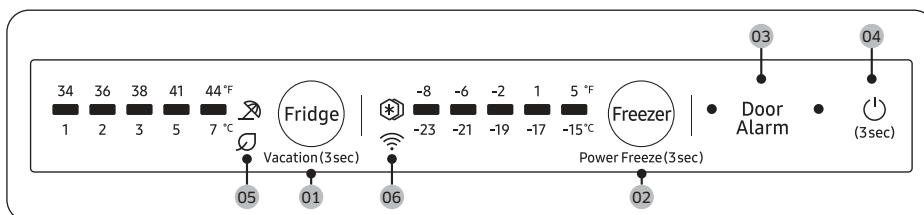
# Verksamhet

## Huvudpanel

### TYP 1



### TYP 2



01 Fridge (Kylskåp) / Vacation (Semester)

02 Freezer (Frys) / Power Freeze (Högeffektsfrys) / Cool Select+ \*

03 Door Alarm (Dörralarm)

04 ⏻ (Ström)

05 AI Energy Mode

06 Nätverksanslutning

\* Endast på tillämpliga modeller

**OBS!**





Alla LED-indikatorer tänds samtidigt när dörren öppnas och slocknar när dörren stängs.

## 01 Kylskåp / Semester (3 s)

|                     |   |
|---------------------|---|
| Fridge (Kylskåp)    | <p>För att justera kylskåpets temperatur ska du trycka på <b>Fridge (Kylskåp)</b> och välja motsvarande temperatur.<br/>Du kan ändra på temperaturen mellan 1 °C och 7 °C (standard: 3 °C).</p> <p><b>Power Cool (Högeffektskyl) (Typ 1)</b><br/>Power Cool (Högeffektskyl) ökar kylprocessen till högsta fläkthastighet. Kylskåpet fortsätter att fungera med högsta hastighet under två och en halv timme och går sedan tillbaka till föregående temperatur.</p> <ul style="list-style-type: none"><li>• Aktivera Power Cool (Högeffektskyl) genom att välja temperaturen 1 °C och sedan trycka på <b>Fridge (Kylskåp)</b> för att välja Power Cool (Högeffektskyl). Motsvarande indikator (🌀) tänds och kylskåpet ökar kylprocessens hastighet åt dig.</li><li>• För att inaktivera Power Cool (Högeffektskyl) trycker du på <b>Fridge (Kylskåp)</b> igen. Kylskåpets temperatur återställs till 7 °C.</li></ul> <p><b>🗨 OBS!</b><br/>Strömförbrukningen ökar när Power Cool (Högeffektskyl) används. Se till att du stänger av den och går tillbaka till föregående temperatur om du inte har för avsikt att använda den.</p> |
| Vacation (Semester) | <ul style="list-style-type: none"><li>• Använd funktionen Vacation (Semester) om du ska åka på semester eller en affärsresa och inte behöver använda kylskåpet under en längre tid. Kylskåpets temperatur kommer att hållas under 17 °C, men frysen fortsätter att vara aktiv som tidigare.</li><li>• För att aktivera eller inaktivera läget Vacation (Semester) håller du <b>Fridge (Kylskåp)</b> nedtryckt i 3 sekunder.</li></ul> <p><b>🗨 OBS!</b></p> <ul style="list-style-type: none"><li>• Se till att ta bort mat i kylsektionen innan du använder semesterläget.</li><li>• Läget Vacation (Semester) inaktiveras om du justerar temperaturen.</li></ul>   |

# Verksamhet

## 02 Frys / Högeffektsfrys (3 s) / Cool Select+ (3 s)

|                               |   |
|-------------------------------|---|
| Freezer (Frys)                | <p>Knappen <b>Freezer (Frys)</b> kan användas för att ställa in frysens temperatur. Tillgängliga temperaturer är mellan -15 °C och -23 °C (standard: -19 °C).</p> <p> <b>OBS!</b></p> <p>Det går inte att ändra temperaturen i läget Cool Select+.</p>   |
| Power Freeze (Högeffektsfrys) | <p>Power Freeze (Högeffektsfrys) ökar frysprocessen till högsta fläkthastighet. Frysningen fortsätter att fungera med högsta hastighet under 50 timmar och går sedan tillbaka till föregående temperatur. Om du behöver frysa en stor mängd livsmedel ska du aktivera Power Freeze (Högeffektsfrys) i minst 20 timmar innan du placerar livsmedlet i frysen.</p> <p><b>Typ 1</b></p> <ul style="list-style-type: none"><li>• Aktivera Power Freeze (Högeffektsfrys) genom att välja temperaturen -23 °C och sedan trycka på <b>Freezer (Frys)</b> för att välja Power Freeze (Högeffektsfrys). Motsvarande indikator  tänds och kylskåpet ökar frysprocessens hastighet åt dig.</li><li>• När processen Power Freeze (Högeffektsfrys) är klar, slocknar motsvarande indikator och frysen går tillbaka till föregående temperaturinställning.</li><li>• För att inaktivera Power Freeze (Högeffektsfrys) trycker du på <b>Freezer (Frys)</b> igen. Frysningen går tillbaka till föregående temperaturinställning.</li></ul> <p><b>Typ 2</b></p> <ul style="list-style-type: none"><li>• För att aktivera Power Freeze (Högeffektsfrys) håller du <b>Freezer (Frys)</b> nedtryckt i 3 sekunder för att välja Power Freeze (Högeffektsfrys). Motsvarande indikator  tänds och kylskåpet ökar frysprocessens hastighet åt dig.</li><li>• För att inaktivera Power Freeze (Högeffektsfrys) håller du <b>Freezer (Frys)</b> nedtryckt i 3 sekunder igen. Frysningen går tillbaka till föregående temperaturinställning och indikatorn slocknar.</li></ul> <p> <b>OBS!</b></p> <p>Om du använder Power Freeze (Högeffektsfrys) ökar energiförbrukningen. Se till att du stänger av den och går tillbaka till föregående temperatur om du inte har för avsikt att använda den.</p> |




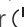
|                         |   |
|-------------------------|---|
| Cool Select+<br>(Typ 1) | <p>Varje gång du håller <b>Cool Select+</b> nedtryckt i 3 sekunder växlar funktionsläget i följande ordning:<br/>         Freeze (Frysning) → Soft Freezing (Lätt frysning) (-5 °C) → Cold (Kallt) (-1 °C) → Cool (Svalt) (2 °C)</p> <p><b>⚠ VAR FÖRSIKTIG</b></p> <ul style="list-style-type: none"> <li>• Om du byter läge från Freezer (Frys) till Cool Select+ kan det läcka juice eller vätska från den förvarade maten.</li> <li>• Förvara inte kött eller fisk under en längre tid i läget Cool Select+. Maten kan frysa eller förstöras på grund av olämpliga temperaturinställningar.</li> <li>• Om kylskåpet ansluts till strömmen efter en längre tids inaktivitet kan inställningarna för Cool Select+ ha återställts till fabriksinställningarna. Kontrollera inställningarna för Cool Select+ innan du använder kylskåpet.</li> </ul> |
|-------------------------|---|

### 03 Dörralarm

|                           |  |
|---------------------------|--|
| Door Alarm<br>(Dörralarm) | <p>Du kan ställa in alarmet för en påminnelse. Om dörren lämnas öppen i mer än 2 minuter hörs alarmet samtidigt som alarmindikatorn blinkar.</p> <p>Du kan växla för att aktivera och inaktivera larmet genom att trycka på <b>Door Alarm (Dörralarm)</b>.</p> |
|---------------------------|--|

### 04 (Ström)

Slå på kylskåpet genom att hålla  intryckt i 3 sekunder.

Om du håller  intryckt i 3 sekunder igen, slås kylskåpet av och även lamporna för varje utrymme.

### 05 AI Energy Mode (endast på tillämpliga modeller)

Ikonen  visas när AI Energy Mode körs. Du kan aktivera och inaktivera AI Energy Mode i SmartThings-appen. (Endast tillämpliga modeller)

# Verksamhet

## 06 Nätverksanslutning (endast på tillämpliga modeller)

Du kan kontrollera och övervaka ditt kylskåp i SmartThings-appen. Mer information finns i avsnittet SmartThings (endast tillämpliga modeller).

### **OBS!**

Om kylskåpet inte är anslutet till SmartThings-appen blinkar Wi-Fi-ikonen (📶) för att avisera dig. Om du ser den blinkande Wi-Fi-ikonen (📶) rekommenderar vi att du ansluter kylskåpet till SmartThings-appen.

## Slå på och stänga av Wi-Fi (endast tillämpliga modeller)

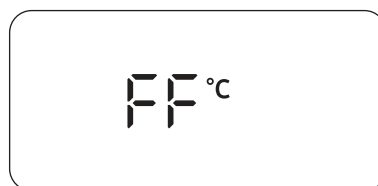
### Typ 1

Slå på och stäng av Wi-Fi genom att hålla **Fridge (Kylskåp)** intryckt i 10 sekunder. Displayen visar Wi-Fi-statusen i 5 sekunder (så som visas på bilden).

Wi-Fi på



Wi-Fi av



### Typ 2

Aktivera och inaktivera Wi-Fi genom att hålla **Fridge (Kylskåp)** intryckt i 10 sekunder. Wi-Fi-ikonen (📶) visar Wi-Fi-status enligt bilden nedan.

- Wi-Fi av: Wi-Fi-ikonen (📶) blinkar i fem sekunder och släcks sedan.
- Wi-Fi på: Wi-Fi-ikonen (📶) blinkar i fem sekunder och tänds sedan i fem sekunder.

### **OBS!**

- När du konfigurerar att ditt Wi-Fi ska ansluta kylskåpet till SmartThings-appen aktiveras funktionen för Wi-Fi på/av.
- Mer information finns i avsnittet SmartThings (endast tillämpliga modeller).

---

## SmartThings (endast tillämpliga modeller)

---

### Installation

Gå till Google Play Butik, Galaxy Apps eller Apple App Store och sök efter "SmartThings". Hämta och installera appen SmartThings från Samsung Electronics på din smarta enhet.

#### OBS!

- Den programversion av SmartThings-appen som stöds kan ändras i enlighet med den OS-supportpolicy som tillverkaren tillhandahåller. Precis som för SmartThings-appen eller de funktioner som appen har stöd för kan den nya policyn för programuppdatering på den befintliga OS-versionen hävas på grund av användbarhets- eller säkerhetsskäl.
- SmartThings-appen kan ändras utan förvarning för att förbättra användbarheten och prestandan. Eftersom mobiltelefonens OS-version uppdateras varje år uppdateras även SmartThings kontinuerligt enligt den senaste OS-versionen. Om du har frågor gällande de punkter som nämns ovan kan du kontakta oss på [st.service@samsung.com](mailto:st.service@samsung.com)
- Rekommenderade krypteringssystem inkluderar WPA/TKIP och WPA2/AES. Nyare eller icke-standardiserade Wi-Fi-autentiseringsprotokoll stöds inte.
- Trådlösa nätverk kan påverkas av omgivningens trådlösa kommunikationsmiljö.
- Om internetleverantören har registrerat datorns MAC-adress eller modem för identifiering, kan ditt smarta kylskåp från Samsung misslyckas med att ansluta till internet. Om detta händer ska du kontakta internetleverantören för att få hjälp.
- Brandväggsinställningarna på ditt nätverkssystem kan förhindra att ditt smarta Samsung-kylskåp kommer åt internet. Kontakta internetleverantören för att få teknisk hjälp. Om det här symptomet fortsätter ska du kontakta ett lokalt Samsung-servicecenter eller en återförsäljare.
- Om du vill konfigurera inställningarna för den trådlösa åtkomstpunkten (AP) ska du läsa användarhandboken för AP (router).
- Smarta kylskåp från Samsung stöder både Wi-Fi 2,4 GHz med IEEE 802.11 b/g/n och protokoll för mjuk åtkomstpunkt. (IEEE 802.11 n rekommenderas.)
- Obehöriga trådlösa Wi-Fi-routrar kan misslyckas med att ansluta till tillämpliga smarta kylskåp från Samsung.

# Verksamhet

---

## Samsung-konto

Du måste registrera ditt Samsung-konto för att kunna använda appen. Om du inte har ett Samsung-konto ska du följa instruktionerna på skärmen för appen för att skapa ett Samsung-konto gratis.

## Komma i gång

Slå på den enhet du vill ansluta, öppna appen SmartThings på telefonen och följ sedan anvisningarna nedan.

Om ett popup-meddelande där det står att en ny enhet har hittats visas trycker du på **ADD NOW (LÄGG TILL NU)**.

Om ett popup-meddelande inte visas trycker du på knappen **+** och väljer sedan den enhet du vill ansluta i listan över tillgängliga enheter.

Om enheten inte finns med i listan över tillgängliga enheter trycker du på **Supported Devices (Enheter som stöds)**, väljer enhetstyp (kylskåp) och väljer sedan specifik enhetsmodell.

Följ anvisningarna i appen för att konfigurera enheten. När configurationen är klar visas ditt kylskåp som ett "kort" på skärmen **Devices (Enheter)**.


## Integrerad kontroll

Du kan övervaka och styra ditt kylskåp när du är hemma och i farten.

- Tryck på kylskåpsikonen på SmartThings-instrumentpanelen eller tryck på ikonen Enheter längst ned på kontrollpanelen och tryck sedan på kylskåpets "kort" för att öppna kylskåpssidan.
- Kontrollera driftstatus eller meddelanden relaterade till kylskåpet och ändra sedan alternativ eller inställningar om det behövs.

### **OBS!**

Vissa alternativ eller inställningar i kylskåpet kanske inte är tillgängliga för fjärrstyrning.

| Kategori                                     | Objekt  | Beskrivning   |
|--|---|---|
| Övervakning                                  | Kylskåpstemperatur  | Visar aktuell temperaturinställning för kylskåpet.  |
|  | Frystemperatur  | Visar aktuell temperaturinställning för frysen.   |
| Funktioner                                   | Högeffektskyl (endast på tillämpliga modeller)  | Du kan slå på eller stänga av Högeffektskyl och kontrollera de aktuella inställningarna.  |
|  | Högeffektsfrys  | Du kan slå på eller stänga av Högeffektsfrys och kontrollera de aktuella inställningarna. |
|  | Kylskåpstemperatur  | Du kan ställa in önskad temperatur på kylskåpet.  |
|  | Frystemperatur  | Du kan ställa in önskad temperatur på frysen.   |
| Alarm  | Onormalt hög temperatur   | Det här alarmet utlöses när kylskåpet eller frysen har onormalt hög temperatur.           |
|  | Dörr öppen  | Det här alarmet aktiveras om dörren är öppen längre än två minuter.                       |
| AI Energy Mode (endast tillämpliga modeller) | <p>Du kan aktivera och inaktivera AI Energy Mode på menyn Energy i SmartThings-appen.</p> <p>Du kan kontrollera statusen på AI Energy Mode i SmartThings-appen.</p> <p>På vissa modeller visas ikonen  på huvudpanelen för att indikera att AI Energy Mode körs. (Endast tillämpliga modeller)</p> <p>Om du aktiverar AI Energy Mode minskar energiförbrukningen, men det kan även minska nedkylningsprestandan.</p> |   |

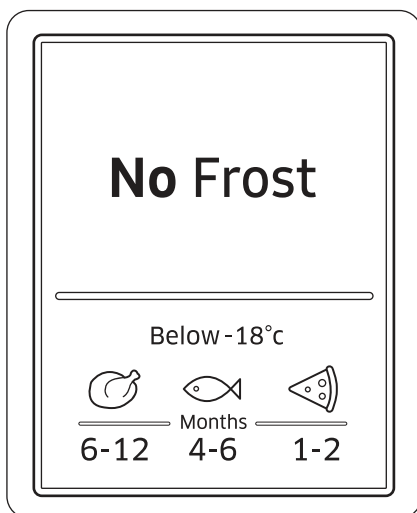
### Information om säkerhetsuppdateringar

Säkerhetsuppdateringar tillhandahålls för att stärka enhetens säkerhet och skydda dina personuppgifter. Du hittar mer information om säkerhetsuppdateringar på <https://security.samsungda.com>.

\* Webbplatsen har endast stöd för vissa språk.

# Verksamhet

## Förvaringsinformation



Siffrorna markerade på den undre delen av denna bild anger förvaringsperioden för matobjektet som visas omedelbart ovanför. Exempelvis 4-6 månader för fisk.

### För att frysa mat

1. Packa in maten lufttätt med lämpligt förpackningsmaterial.
2. Förseгла förpackningen.
3. Märk förpackningen med innehåll och datum.

### Förpackningsmaterial

- Lämpliga material för att förpacka mat: plastfilm, polyetenfilm, aluminiumfolie och frysburkar.
- Material olämpliga för att förpacka mat: förpackningspapper, smörpapper, cellofan, matsoppåsar och använda shoppingpåsar.

### Förseglingsmaterial

Gummiband, plastclip, band, kylresistent tejp eller liknande. Påsar och polyetylenfilm kan förseglas med en filmförseglare.

---

## Fryst mats förvaringsperiod

Förvaringsperioden skiljer sig mellan mattyper och förvaringstemperaturer. Följande specifikationer är baserade på en temperatur på  $-18\text{ }^{\circ}\text{C}$  ( $0\text{ }^{\circ}\text{F}$ ):

- Färsk fågel (hel kyckling), färskt kött (biffar, stekar): upp till 12 månader
- Fisk (mager fisk, kokt fisk), färska räkor, musslor, bläckfisk: upp till 6 månader
- Pizza, korv: upp till 2 månader

### **OBS!**

För mer information se livsmedelsverkets webbplats (<http://www.livsmedelsverket.se/>).

## Upptining

Fryst mat kan tinas upp på följande sätt:

- Naturlig i rumstemperaturer
- Naturligt i kylskåpet
- Med en elektrisk ugn med eller utan värmestöd
- Med en mikrovågsugn

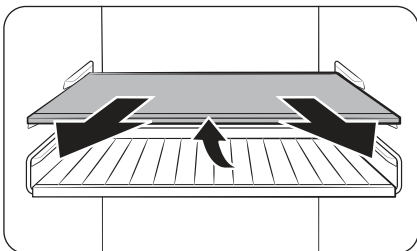
### **OBS!**

- Frys inte om upptinad mat. Vissa delar av maten kanske inte fryses komplett.
- Förvara inte fryst mat längre än den längsta förvaringsperioden.

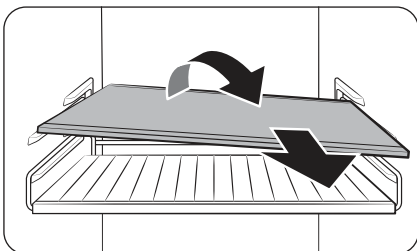
# Underhåll

## Hantering och skötsel

### Hyllor (kylskåp/frys) / Vinhylla (endast på tillämpliga modeller)



1. Dra ut hyllan (eller vinhyllan) en liten bit. Lyft den bakre delen och dra ut hyllan.

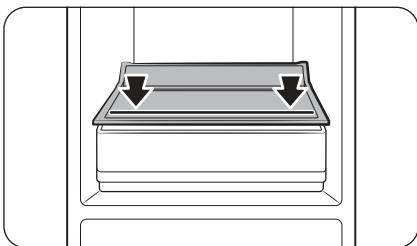


2. Vrid hyllan (eller vinhyllan) diagonalt för att ta bort.

#### ⚠ VAR FÖRSIKTIG

- Hyllan måste sättas i korrekt. Infoga inte upp och ned.
- Glasbehållare kan skrapa ytan på glashyllorna.
- För inte in en hylla i vinhyllan. Detta kan skada kylskåpet. (Endast på tillämpliga modeller)

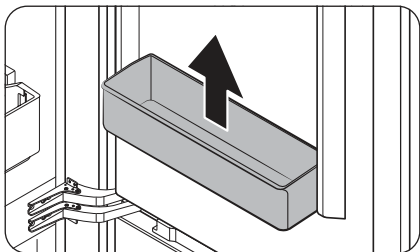
### Grönsakshylla (endast tillämpliga modeller)



- Om din modell endast har en låda i kylskåpet finns det en tryckt linje på grönsakshyllan precis ovanför lådan. När du förvarar livsmedel på grönsakshyllan, se till att du lägger dem innanför den tryckta linjen.



### Kylskåpsdörrfack / Variationsdörrfack

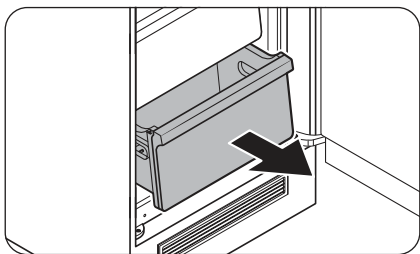


Håll i dörrfacket med båda händerna och lyft sedan uppåt för att ta bort det.

**⚠ VAR FÖRSIKTIG**

Töm dörrfacken innan du tar bort dem för att undvika olyckor.

### Kylskåpslåda / Fryslåda



Lyft försiktigt upp lådans framsida och dra ut den.

# Underhåll

---

## Dammsugning

---

### Insidan och utsidan

#### **VARNING**

- Använd inte bensen, thinner, vinäger, flytande blekmedel, bakpulver, citronsyra, saltblandningar eller rengöringsmedel för hem/bil, t.ex. Clorox™, för rengöring. De kan skada ytan på kylskåpet och orsaka en brand.
- Spreja inte vatten på kylskåpet. Det kan orsaka elstötar.

Använd en torr trasa med jämna mellanrum för att torka bort alla främmande föremål som damm eller vatten från kontaktens terminal och kontaktpunkterna.

1. Koppla bort strömsladden.
2. Använd en fuktad, mjuk, luddfri trasa eller pappershandduk för att rengöra kylskåpets insida och utsida.
3. När det är klart använder du en torr duk eller pappershandduk för att torka ordentligt.
4. Koppla in strömsladden.

## Byte

---

### LED-lampor

Om du behöver byta ut kylskåpets lampor ska du kontakta ett lokalt Samsung-servicecenter.

#### **VARNING**

- Du får inte byta ut lamporna själv. Försök inte byta ut en lampa själv. Det kan orsaka elstötar.

### Lampa (ljuskälla)

Denna produkt innehåller en ljuskälla med energieffektivitetsklass <G>.

Lamporna och/eller styrdonen kan inte servas av användaren. Om du behöver byta ut produktens lampor eller styrdon, kontakta ett lokalt Samsung-servicecenter.

För detaljerade anvisningar om byte av lampor eller styrdon i produkten, besök Samsungs webbplats (<http://www.samsung.com>), gå till Support > Support home och ange sedan modellnamnet.

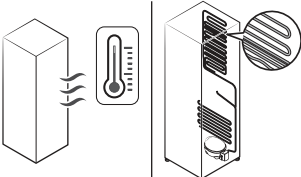
För detaljerade anvisningar om demontering av lampor och/eller styrdon, följ bara bytesanvisningen enligt beskrivningen ovan.

# Felsökning

Granska kontrollpunkterna nedan innan du ringer efter service. Alla servicesamtal angående normala situationer (inga defekta fall) kommer att faktureras användaren.

## Allmänt

### Temperatur

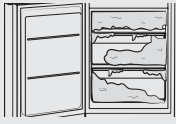
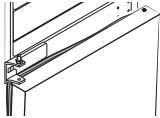
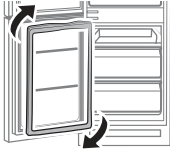
| Symtom  | Möjliga orsaker   | Lösning   |
|---|---|---|
| Kylskåp/frys fungerar inte.<br>Kylskåpets/frysens temperatur är varm. | <ul style="list-style-type: none"><li>• Strömsladden är inte korrekt inkopplad.</li></ul>                           | <ul style="list-style-type: none"><li>• Koppla in strömsladden korrekt.</li></ul>   |
|   | <ul style="list-style-type: none"><li>• Temperaturkontrollen är inte korrekt inställd.</li></ul>                    | <ul style="list-style-type: none"><li>• Ställ in temperaturen lägre.</li></ul>  |
|   | <ul style="list-style-type: none"><li>• Kylskåpet står nära en värmekälla eller direkt solljus.</li></ul>           | <ul style="list-style-type: none"><li>• Håll kylskåpet borta från direkt solljus eller en värmekälla.</li></ul>   |
|   | <ul style="list-style-type: none"><li>• Inte tillräckligt med spel mellan kylskåpet och sidorna/baksidan.</li></ul> | <ul style="list-style-type: none"><li>• Se till att det finns minst 7 mm utrymme från skåpets bakre vägg och från sidoväggarna.</li></ul>   |
|   | <ul style="list-style-type: none"><li>• Semesterläget är aktiverat.</li></ul>                                       | <ul style="list-style-type: none"><li>• Inaktivera semesterläget.</li></ul>   |
| Kylskåpet/frysen överkyler.   | <ul style="list-style-type: none"><li>• Kylskåpet är överlastat. Mat blockerar kylskåpsventilationen.</li></ul>     | <ul style="list-style-type: none"><li>• Överlasta inte kylskåpet. Tillåt inte att mat blockerar ventilationen.</li></ul>  |
|   | <ul style="list-style-type: none"><li>• Temperaturkontrollen är inte korrekt inställd.</li></ul>                    | <ul style="list-style-type: none"><li>• Ställ in temperaturen på ett högre värde.</li></ul>   |
| Den inre väggen är het.   | <ul style="list-style-type: none"><li>• Kylskåpet har värmesäkra rör i den inre väggen.</li></ul>                   | <ul style="list-style-type: none"><li>• För att undvika att kondens bildas har kylskåpet värmeskyddade rör i hörnen på framsidan. Om omgivningstemperaturen stiger fungerar eventuellt inte utrustningen effektivt. Det är inte ett systemproblem.</li></ul>  |

# Felsökning

## Lukt

| Symtom            | Möjliga orsaker       | Lösning   |
|-------------------|-----------------------|---|
| Kylskåpet luktar. | • Dålig mat.          | • Rengör kylskåpet och avlägsna all dålig mat.                |
|                   | • Mat med stark lukt. | • Se till att starkt luktande livsmedel är lufttätt inslagna. |

## Frost

| Symtom  | Möjliga orsaker   | Lösning   |
|---|---|---|
| Frost runt ventilationen.   | • Mat blockerar ventilationen.  | • Se till att ingen mat blockerar kylskåpsventilationen.  |
| Frost på de inre väggarna.  | • Dörren är inte ordentligt stängd.   | • Se till att maten inte blockerar dörren. Rengör dörrpackningen.   |
| Frukt eller grönsaker är frusna.  | • Frukt eller grönsaker förvaras i den färska zonen/kockzonen.  | • Den färska zonen/kockzonen är endast för kött/fisk.   |
| Extrem isbildning i frysen.<br> | • Dörren stängs inte korrekt eftersom dörrpackningen inte reverserats efter att dörrarna reverserats.<br> | • Ta bort dörrpackningen, vrid den 180° och fäst den igen.<br> |

## Kondens

| Symtom                               | Möjliga orsaker   | Lösning  |
|--------------------------------------|---|--|
| Kondens uppstår på de inre väggarna. | <ul style="list-style-type: none"><li>Om en dörr lämnas öppen kommer fukt in i kylskåpet.</li></ul> | <ul style="list-style-type: none"><li>Avlägsna fukten och öppna inte dörren under en lång tid.</li></ul> |
|                                      | <ul style="list-style-type: none"><li>Mat med högt fuktighetsinnehåll.</li></ul>                    | <ul style="list-style-type: none"><li>Se till att livsmedel är lufttätt inslagna.</li></ul>              |

## Alarm

| Symtom           | Möjliga orsaker  | Lösning  |
|------------------|--|--|
| Ett alarm låter. | <ul style="list-style-type: none"><li>Om dörren lämnas öppen i mer än två minuter låter alarmet till dess att dörren stängs.</li></ul> | <ul style="list-style-type: none"><li>Tryck på valfri knapp för att stänga av alarmet. Kontakta ett Samsung-servicecenter om alarmet börjar låta igen efter tolv timmar.</li></ul> |

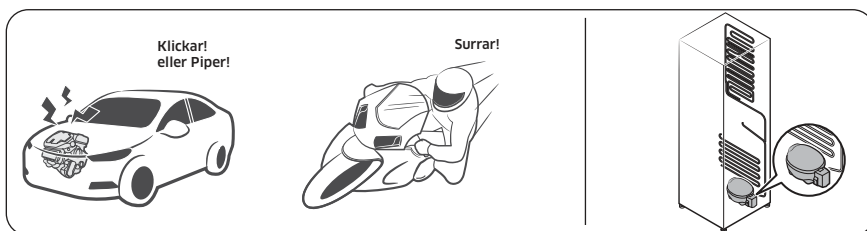
# Felsökning

## Hör du onormala ljud från kylskåpet?

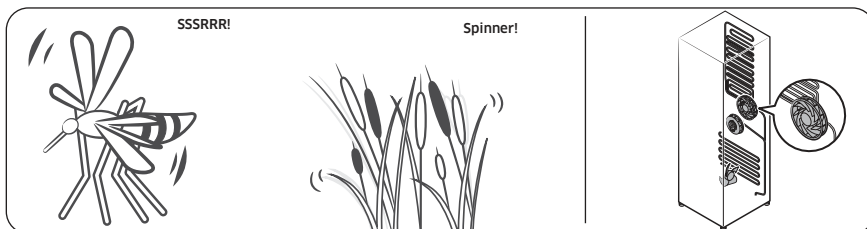
Granska kontrollpunkterna nedan innan du ringer efter service. Eventuella servicesamtal relaterade till normala ljud debiteras användaren.

### Dessa ljud är normala.

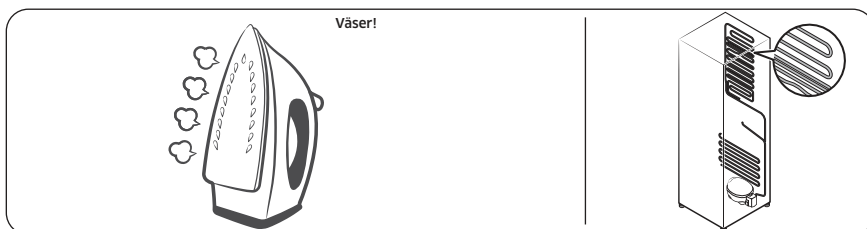
- När driften börjar eller slutar kan kylskåp göra ljud som liknar en bilmotor när den startar. Eftersom driften stabiliseras minskar ljuden.



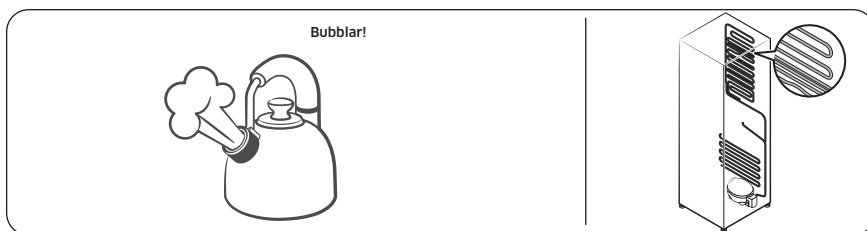
- Medan fläkten är i drift kan dessa ljud förekomma. När kylskåpet når den inställda temperaturen uppstår inget fläktljud.



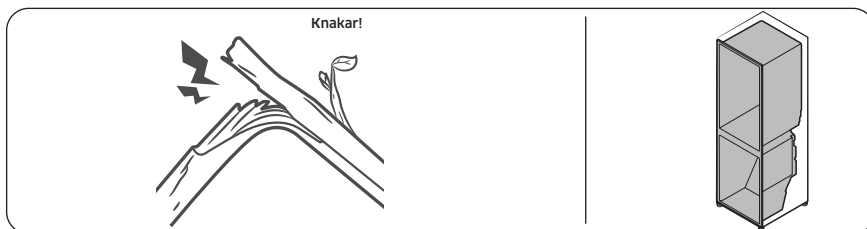
- Under en avfrostningscykel kan vatten droppa på avfrostningsvärmaren vilket avger fräsande ljud.



- Eftersom kylskåpet kyler och fryser rör sig kylgas genom slutna rör och orsakar bubblande ljud.




- Eftersom kylskåpets temperaturen ökar eller minskar drar plastdelar ihop sig och expanderar vilket skapar knackande ljud. Dessa ljud uppstår under avfrostningscykeln eller när elektroniska delar arbetar.



- För ismaskinmodeller: När vattenventilen öppnas för att fylla ismaskinen kan surrande ljud uppstå.
- På grund av tryckutjämnande vid öppning och stängning av kylskåpsdörren kan svischande ljud uppstå.

# Felsökning

## SmartThings (endast tillämpliga modeller)

| Symtom   | Åtgärd  |
|--|---|
| Appen SmartThings hittades inte i appbutiken.  | <ul style="list-style-type: none"><li>Den programversion av SmartThings-appen som stöds kan ändras i enlighet med den OS-støppolicy som tillverkaren tillhandahåller. Precis som för SmartThings-appen eller de funktioner som appen har stöd för kan den nya policyn för programuppdatering på den befintliga OS-versionen hävas på grund av användbarhets- eller säkerhetsskäl.</li></ul>                       |
| Appen SmartThings fungerar inte.   | <ul style="list-style-type: none"><li>Appen SmartThings är endast tillgänglig på tillämpliga modeller.</li><li>Den gamla appen för smarta kylskåp från Samsung kan inte ansluta med Samsung Smart Home-modeller.</li></ul>  |
| Appen SmartThings är installerad men är inte ansluten till kylskåpet.  | <ul style="list-style-type: none"><li>Du måste logga in på ditt Samsung-konto för att använda appen.</li><li>Se till att din router fungerar normalt.</li><li>Om Wi-Fi-ikonen på kylskåpets display är inaktiverad tyder det på att ingen nätverksanslutning har upprättats ännu. I så fall använder du appen SmartThings-appen för att ansluta och registrera kylskåpet till husets åtkomstpunkt (AP).</li></ul> |
| Det gick inte att logga in på appen.   | <ul style="list-style-type: none"><li>Du måste logga in på ditt Samsung-konto för att använda appen.</li><li>Om du inte har ett Samsung-konto ska du följa instruktionerna på skärmen för appen för att skapa ett.</li></ul>  |
| Ett felmeddelande visas när jag försöker registrera mitt kylskåp.  | <ul style="list-style-type: none"><li>Enkel anslutning kan misslyckas på grund av avståndet från åtkomstpunkten (AP) eller elektriska störningar från omgivningens miljö. Vänta en stund och försök igen.</li></ul>   |
| Appen SmartThings ansluts till kylskåpet men fungerar inte.  | <ul style="list-style-type: none"><li>Avsluta och starta om appen SmartThings eller koppla ur och återanslut routern.</li><li>Stäng av kylskåpet och sätt sedan på det igen efter 1 minut.</li></ul>  |
| Wi-Fi-ikonen blinkar.<br> | <ul style="list-style-type: none"><li>Anslut kylskåpet med SmartThings-appen före användning. När anslutningen har upprättats slutar indikatorn blinka.<ul style="list-style-type: none"><li>Om du inte kan upprätta en anslutning eller inte vill använda appen håller du knappen <b>Fridge (Kylskåp)</b> intryckt i tio sekunder. Indikatorn slutar att blinka.</li></ul></li></ul>                             |



# Bilaga

## Säkerhetsanvisningar

- För effektivast energianvändning ska du låta alla inre tillbehör såsom korgar, lådor, hyllor och isfack vara kvar på samma plats som de levererades på.

## Installeringsanvisningar

### För kylanläggningar med klimatklass

Beroende på klimatklass är den här kylanläggningen avsett att användas inom det intervall för omgivande temperatur som anges i följande tabell.

Du hittar klimatklassen på märkplåten. Produkten fungerar eventuellt inte korrekt i temperaturer utanför det specifika intervallet.

Du hittar klimatklassen på en etikett inuti kylskåpet

### Effektivt temperaturintervall

Kylskåpet är utformat för att fungera som vanligt i temperaturintervallet som anges i klassbehörigheten.

| Klass             | Symbol | Omgivningens temperaturintervall (°C) |              |
|-------------------|--------|---------------------------------------|--------------|
|                   |        | IEC 62552 (ISO 15502)                 | ISO 8561     |
| Utökad temperatur | SN     | +10 till +32                          | +10 till +32 |
| Tempererat        | N      | +16 till +32                          | +16 till +32 |
| Subtropiskt       | ST     | +16 till +38                          | +18 till +38 |
| Tropiskt          | T      | +16 till +43                          | +18 till +43 |

### OBS!

Kylskåpets kylprestanda och energiförbrukning kan påverkas av omgivningens temperatur, hur ofta dörren öppnas och kylskåpets placering. Vi rekommenderar att temperaturinställningarna ställs in efter behov.

# Bilaga

## Temperaturanvisningar

### Rekommenderad temperatur

Optimal temperatur för lagring av livsmedel:

- Fridge (Kylskåp): 3 °C
- Freezer (Frys): -19 °C

#### **OBS!**

Den optimala temperaturinställningen för varje fack beror på den omgivande temperaturen. Högre än optimal temperatur är baserat på en omgivande temperatur på 25 °C.

### Högeffektskyl

Högeffektskylen ökar kylprocessen till högsta fläkthastighet. Kylskåpet fortsätter att fungera med högsta hastighet under två och en halv timme och går sedan tillbaka till föregående temperatur.

### Högeffektsfrys

Snabb frysning ökar frysprocessen till högsta fläkthastighet. Frysaren fortsätter att fungera med högsta hastighet under 50 timmar och går sedan tillbaka till föregående temperatur. Om du behöver frysa en stor mängd livsmedel ska du aktivera Högeffektsfrys i minst 20 timmar innan du placerar livsmedlet i frysaren.

#### **OBS!**

När du använder den här funktionen ökar kylskåpets energiförbrukning. Kom ihåg att stänga av den när du inte behöver den och ställa in frysaren på dess originaltemperaturinställning igen.

### Hur livsmedel ska lagras för att hålla sig färska länge (endast på tillämpliga modeller)

Täck över livsmedlen så att de inte torkar ut och för att förhindra att de absorberar lukt från andra livsmedel. Innehållet i en stor gryta, t.ex. soppa eller stuvning, ska fördelas i mindre portioner i låga behållare innan du ställer det i kylan. En stor bit kött eller hel fågel ska delas upp i mindre bitar eller läggas i låga behållare innan du ställer köttet i kylan.

### Placering av livsmedel

|  |  |
|--|--|
| Hyllor                                       | Hyllorna ska vara justerbara, så att de kan anpassas till olika förpackningar.   |
| Specialfack<br>(endast tillämpliga modeller) | Slutna grönsakslådor utgör den perfekta förvaringsmiljön för frukt och grönsaker. Grönsaker behöver en hög fuktighetsnivå, och frukt behöver en lägre fuktighetsnivå. Grönsakslådorna har luftfuktighetskontroll, så att du kan justera fuktighetsnivån. (*Beroende på modell och tillval) En köttlåda med justerbar temperatur förlänger lagringstiden på kött och ost. |
| Lagring i dörrpanelen                        | Lagra inte färska livsmedel i dörrpanelen. Ägg ska förvaras i en kartong på en hylla. Temperaturen i facken på dörren varierar mer än temperaturen inne i kylskåpet. Håll dörren stängd så mycket som möjligt.   |

|         |   |
|---------|---|
| Frysack | I frysacket kan du förvara frysta livsmedel, frysa isbitar och frysa in färska livsmedel. |
|---------|---|

**OBS!**

Frysa färsk, ej skadad mat. Håll mat som ska frysas borta från mat som redan är fryst. För att undvika att mat förlorar sin smak eller torkar ut ska du placera den i lufttäta behållare.

**Lagringstabell för kylskåp och frys:**

Hållbarheten beror på temperaturen och exponeringen till fukt. Eftersom bäst före-datumet inte är en garanti på att produkten är säker att använda kan du följa tipsen i nedanstående tabell.

Mejeriprodukter

| Produkt    | Kylskåp  | Frys               |
|------------|----------|--------------------|
| Mjök       | 1 vecka  | 1 månad            |
| Smör       | 2 veckor | 12 månader         |
| Glass      | -        | 2-3 veckor         |
| Lagrad ost | 1 månad  | 4-6 månader        |
| Färskost   | 2 veckor | Rekommenderas inte |
| Yoghurt    | 1 månad  | -                  |

Kött

| Produkt                                 | Kylskåp   | Frys        |
|---|-----------|-------------|
| Färsk stek, biff, kotletter             | 3-4 dagar | 2-3 månader |
| Färsk köttfärs, grytbitar               | 1-2 dagar | 3-4 månader |
| Bacon                                   | 7 dagar   | 1 månad     |
| Korv, rå av fläsk, nötkött eller kalkon | 1-2 dagar | 1-2 månader |

Fågel / Ägg

| Produkt              | Kylskåp    | Frys               |
|----------------------|------------|--------------------|
| Färsk fågel          | 2 dagar    | 6-8 månader        |
| Sallad på fågel      | 1 dag      | -                  |
| Ägg, färska med skal | 2-4 veckor | Rekommenderas inte |

# Bilaga

## Fisk / Skaldjur

| Produkt                  | Kylskåp    | Frys               |
|--------------------------|------------|--------------------|
| Färsk fisk               | 1-2 dagar  | 3-6 månader        |
| Tillagad fisk            | 3-4 dagar  | 1 månad            |
| Fisksallad               | 1 dag      | Rekommenderas inte |
| Torkad eller inlagd fisk | 3-4 veckor | -                  |

## Frukt

| Produkt           | Kylskåp    | Frys         |
|-------------------|------------|--------------|
| Äpplen            | 1 månad    | -            |
| Persikor          | 2-3 veckor | -            |
| Ananas            | 1 vecka    | -            |
| Övrig färsk frukt | 3-5 dagar  | 9-12 månader |

## Grönsaker

| Produkt                                  | Kylskåp   | Frys |
|--|-----------|------|
| Sparris                                  | 2-3 dagar | -    |
| Broccoli, brysselkål, gröna ärtor, svamp | 3-5 dagar | -    |
| Kål, blomkål, blekselleri, gurka, sallad | 1 vecka   | -    |
| Morötter, rödbetor, rädisor              | 2 veckor  | -    |

---

## Information om modellen och hur du beställer reservdelar

---

### Modellinformation

Du kan skanna QR-koden på energimärkningen för att få åtkomst till den här produktens energimärkningsinformation enligt European Product Registry for Energy Labelling (EPREL). Du hittar QR-koden på energimärkningen på produktförpackningen.

### Reservdelsinformation

- Den minsta perioden under vilken reservdelar, som är nödvändiga för att reparera apparaten, är tillgängliga.
  - 7 år: termostater, temperatursensorer, tryckta kretskort och ljuskällor, dörrhandtag, dörrgångjärn, fack, korgar (lådor)
  - 10 år: dörrpackningar
- Den minsta garantiperioden som erbjuds av tillverkaren för kylanläggningen är 24 månader.
- Relevant information för att beställa reservdelar, direkt eller via andra kanaler som tillhandahålls av tillverkaren, importören eller auktoriserad representant
- Du hittar information om professionell reparation på <http://samsung.com/support>. Du hittar servicehandboken på <http://samsung.com/support>.

# Open Source Announcement

---

## Open Source Announcement

---

The software included in this product contains open source software. You may obtain the complete corresponding source code for a period of three years after the last shipment of this product by contacting our support team via <http://opensource.samsung.com> (Please use the "Inquiry" menu.)

It is also possible to obtain the complete corresponding source code in a physical medium such as a CD-ROM; a minimal charge will be required.

The following URL [http://opensource.samsung.com/opensource/COMMON\\_TZ6\\_0/seq/0](http://opensource.samsung.com/opensource/COMMON_TZ6_0/seq/0) leads to the open source license information as related to this product. This offer is valid to anyone in receipt of this information.



# Anteckningar

---

 **OBS!**

Härmed intygar Samsung att denna radioutrustning uppfyller direktiv 2014/53/EU och relevanta brittiska lagstadgade krav. Den fullständiga texten till EU:s försäkran om överensstämmelse och Storbritanniens försäkran om överensstämmelse finns på följande webbadress: Den officiella försäkran om överensstämmelse hittar du på <http://www.samsung.com>. Gå till Support > Sok produktsupport och ange modellnamn.

|           | Frekvensintervall | Sändareffekt (max.) |
|-----------|-------------------|---------------------|
| Wi-Fi     | 2412-2472 MHz     | 20 dBm              |
| Bluetooth | 2 402-2 480 MHz   | 20 dBm              |

|             |   |   |
|-------------|---|---|
| FRANCE      | 01 48 63 00 00  | <a href="http://www.samsung.com/fr/support">www.samsung.com/fr/support</a>  |
| GERMANY     | 06196 77 555 77   | <a href="http://www.samsung.com/de/support">www.samsung.com/de/support</a>  |
| LUXEMBURG   | 261 03 710  | <a href="http://www.samsung.com/be_fr/support">www.samsung.com/be_fr/support</a>  |
| NETHERLANDS | 088 90 90 100   | <a href="http://www.samsung.com/nl/support">www.samsung.com/nl/support</a>  |
| BELGIUM     | 02-201-24-18  | <a href="http://www.samsung.com/be/support">www.samsung.com/be/support</a> (Dutch)<br><a href="http://www.samsung.com/be_fr/support">www.samsung.com/be_fr/support</a> (French) |
| NORWAY      | 21629099  | <a href="http://www.samsung.com/no/support">www.samsung.com/no/support</a>  |
| DENMARK     | 707 019 70  | <a href="http://www.samsung.com/dk/support">www.samsung.com/dk/support</a>  |
| FINLAND     | 030-6227 515  | <a href="http://www.samsung.com/fi/support">www.samsung.com/fi/support</a>  |
| SWEDEN      | 0771-400 300  | <a href="http://www.samsung.com/se/support">www.samsung.com/se/support</a>  |
| CYPRUS      | 8009 4000 only from landline, toll free   | <a href="http://www.samsung.com/gr/support">www.samsung.com/gr/support</a>  |
| GREECE      | 80111-SAMSUNG (80111 726 7864) only from land line<br>(+30) 210 6897691 from mobile and land line |   |
| ITALIA      | 800-SAMSUNG (800.7267864)   | <a href="http://www.samsung.com/it/support">www.samsung.com/it/support</a>  |
| PORTUGAL    | 210 608 098<br>Chamada para a rede fixa nacional<br>Dias úteis das 9h às 20h                      | <a href="http://www.samsung.com/pt/support">www.samsung.com/pt/support</a>  |
| SPAIN       | 91 175 00 15  | <a href="http://www.samsung.com/es/support">www.samsung.com/es/support</a>  |





# Køleskab

---

## Brugervejledning

---

Indbygget apparat

**SAMSUNG**

# Indhold

---

|   |           |
|---|-----------|
| <b>Sikkerhedsinformationer</b>                                      | <b>3</b>  |
| Dette skal du vide om sikkerhedsanvisningerne                       | 3         |
| Vigtige sikkerhedssymboler og forholdsregler:                       | 5         |
| Vigtige sikkerhedsforholdsregler                                    | 6         |
| Alvorlige advarselstegn for transport og stedet                     | 9         |
| Vigtige advarsler vedrørende installation                           | 10        |
| Forsigtighed under installation                                     | 13        |
| Vigtige advarsler vedrørende brug                                   | 14        |
| Forsigtighed under brug   | 18        |
| Forsigtighed under rengøring  | 20        |
| Vigtige advarsler vedrørende bortskaffelse                          | 22        |
| Flere tips til korrekt anvendelse                                   | 23        |
| Instruktioner vedrørende affald fra elektrisk og elektronisk udstyr | 25        |
| <b>Installation</b>   | <b>26</b> |
| Overblik over køleskabet  | 26        |
| Trin for trin-installation  | 27        |
| <b>Drift</b>  | <b>38</b> |
| Hovedpanel  | 38        |
| SmartThings (kun relevante modeller)                                | 43        |
| Opbevaringsoplysninger  | 46        |
| <b>Vedligeholdelse</b>  | <b>48</b> |
| Håndtering og pleje   | 48        |
| Rengøring   | 50        |
| Udskiftning   | 50        |
| <b>Fejlfinding</b>  | <b>51</b> |
| Generelt  | 51        |
| Hører du unormale lyde fra køleskabet?                              | 54        |
| SmartThings (kun relevante modeller)                                | 56        |
| <b>Tillæg</b>   | <b>57</b> |
| Sikkerhedsvejledning  | 57        |
| Installationsvejledning   | 57        |
| Temperaturvejledning  | 58        |
| Oplysninger om model og bestilling af reservedele                   | 61        |
| <b>Open Source Announcement</b>                                     | <b>62</b> |
| Open Source Announcement  | 62        |

# Sikkerhedsinformationer

---

Læs denne vejledning grundigt, inden du tager dit nye Samsung-køleskab, for at sikre, at du ved, hvordan du sikkert og effektivt betjener dit nye apparats funktioner.

## Dette skal du vide om sikkerhedsanvisningerne

---

- Advarsler og Vigtige sikkerhedsanvisninger i denne brugervejledning omfatter ikke alle de mulige forhold og situationer, som kan forekomme.  
Det er dit ansvar at bruge sund fornuft, forsigtighed og omhyggelighed, når du installerer, vedligeholder og betjener apparatet.
- Da de følgende betjeningsinstruktioner omfatter forskellige modeller, kan egenskaberne ved køleskabet være lidt anderledes end dem, der beskrives i denne vejledning, og alle advarselstegn er måske ikke relevante. Hvis du har spørgsmål, bedes du kontakte dit nærmeste servicecenter eller finde hjælp og information online på [www.samsung.com](http://www.samsung.com).
- R-600a eller R-134a anvendes som kølemiddel. Tjek kompressormærkatet på bagsiden af apparatet eller mærkatet inde i køleskabet for at se, hvilket kølemiddel anvendes i dit apparat. Hvis dette produkt indeholder brændbar gas (kølemiddel R-600a), skal du kontakte den lokale miljømyndighed for sikker bortskaffelse af dette produkt.
- For at undgå, at der dannes en brændbar blanding af gas og luft i tilfælde af en lækage i kølesystemet, afhænger størrelsen på det rum, hvor apparatet må opstilles, af mængden af anvendt kølemiddel.
- Det er farligt for alle andre end en autoriseret servicetekniker at servicere dette apparat.

## Sikkerhedsinformationer

---

- Undgå at starte et apparat, der viser tegn på beskadigelse. Kontakt din forhandler, hvis du er i tvivl. Rummet skal have en størrelse på 1 m<sup>3</sup> for hver 8 g R-600a-kølemiddel i apparatet.  
Mængden af kølemiddel i det konkrete apparat er angivet på identifikationspladen inde i apparatet.
- Kølemiddel, der sprøjter ud fra rørene, kan antændes eller medføre øjenskader. Hvis der lækker kølemiddel fra røret, skal du undgå alle former for levende ild og flytte alt brændbart væk fra produktet og straks ventilere rummet.
  - Ellers kan der opstå brand eller eksplosion.
- For at undgå kontaminering af mad bør følgende instruktioner overholdes:
  - Hvis døren er åben i længere perioder, kan det medføre en stigning i temperaturen i rummene i apparatet.
  - Rengør regelmæssigt overflader, der kan komme i kontakt med mad og tilgængelige drænsystemer.
  - Rengør vandbeholdere, hvis de ikke har været brugt i 48 timer; skyl vandsystemet, der er sluttet til vandforsyning, igennem, hvis der ikke er trukket vand i 5 dage.
  - Opbevar frisk kød og fisk i egnede beholdere i køleskabet, så der ikke er kontakt med eller så det ikke drypper på andre madvarer.
  - Rum med to stjerner til frossen mad er egnede til at opbevaring af forudfrosset mad, opbevaring eller fremstilling af is og fremstilling af isterninger.
  - Rum med en, to eller tre stjerner er ikke egnede til nedfrysning af frisk mad.

- 
- Hvis køleskabet skal stå tomt i længere perioder, skal det slukkes, afrimes, rengøres, tørres og døren skal stå åben for at forhindre udvikling af mug i apparatet.

## **Vigtige sikkerhedssymboler og forholdsregler:**

---

Følg alle sikkerhedsinstruktionerne i denne vejledning.  
Følgende sikkerhedssymboler anvendes i denne vejledning.

### **ADVARSEL**

Farer eller usikker anvendelse, der kan medføre **alvorlig personskade eller død**.

### **FORSIGTIG**

Farer eller usikker anvendelse, der kan medføre **alvorlig personskade og/eller materiel skade**.

### **BEMÆRK**

Nyttige oplysninger, der hjælper brugere med at forstå eller få fordele af køleskabet.

Disse advarselstegn er angivet for at forhindre, at du eller andre kommer til skade.

Følg dem omhyggeligt.

Når du har læst dette afsnit, så gem det et sikkert sted til fremtidigt brug.

# Sikkerhedsinformationer

---

## Vigtige sikkerhedsforholdsregler

---



ADVARSEL: Risiko for brand/brandbare materialer

### **ADVARSEL**

- Sørg for, at strømledningen ikke kommer i klemme eller bliver beskadiget under opstilling af køleskabet.
- Placér ikke flere løse strømdåser eller strømforsyninger bag køleskabet.
- Hold ventilationsåbninger i apparatets inddækning eller monteringsstruktur fri for forhindringer.
- Undgå at bruge mekaniske enheder eller andre midler til at fremme afrimning, medmindre de er anbefalet af producenten.
- Undgå at beskadige kølesystemet.
- Undgå at bruge elektriske apparater inde i apparatets rum til opbevaring af fødevarer, medmindre disse er anbefalet af producenten.
  
- Dette apparat må ikke anvendes af personer (herunder børn) med nedsatte fysiske, sansemæssige eller mentale færdigheder eller manglende erfaring og viden, medmindre de har fået oplæring eller instruktion vedrørende brug af apparatet af en person, der er ansvarlig for deres sikkerhed.

- 
- Dette apparat kan anvendes af børn på mindst 8 år og af personer med fysiske, sansemæssige eller psykiske handicap eller manglende erfaring og viden, hvis de har fået vejledning eller instruktion vedrørende brug af apparatet på en sikker måde og forstår de farer, brugen indebærer. Børn må ikke lege med apparatet. Rengøring og vedligeholdelse må ikke udføres af børn uden opsyn. Børn i alderen 3 til 8 må gerne fylde og tømme køleskabe.
  - Hvis strømkablet er beskadiget, skal det udskiftes af producenten, dennes servicerepræsentant eller en tilsvarende kvalificeret person for at undgå fare.
  - Stikket skal være nemt at komme til, så strømmen nemt kan tages fra apparatet i en nødsituation.
    - Det skal være uden for området bag køleskabet.
  - Undgå at opbevare eksplosive emner såsom aerosoler med letantændeligt drivmiddel i dette apparat.
  - Hvis produktet har en LED-pære, må du ikke selv adskille lampedækslet og LED-pæren.
    - Kontakt et Samsung-servicecenter.
    - Brug kun de LED-lamper, der leveres af producenten eller dennes servicevirksomhed.
  - Hvis den indre eller den ydre LED-pære springer, så kontakt dit servicecenter.
  - For at sikre det mest effektive energiforbrug skal du lade alle de indvendige dele, som f.eks. kurve, skuffer og hylder, blive på den plads, som producenten anbefaler.
  - For at få den bedste energieffektivitet ved dette produkt skal du lade alle hylder, skuffer og kurve være i deres originale placeringer.

# Sikkerhedsinformationer

---

## Sådan minimeres energiforbruget

- Installer apparatet i et koldt, tørt rum med tilstrækkelig ventilation.
- Sørg for, at det ikke udsættes for direkte sollys, og anbring det aldrig lige ved siden af en direkte varmekilde (f.eks. en radiator).
  - Af hensyn til energieffektiviteten anbefales det, at du ikke blokerer ventilationsåbninger eller riste.
  - Lad varme fødevarer afkøle, før de anbringes i apparatet.
  - Kom frosne fødevarer i køleskabet til optøning. Du kan på den måde anvende de frosne produkters lave temperaturer til at afkøle fødevarer i køleskabet.
  - Lad ikke apparatets dør være åben i for lang tid, når du anbringer fødevarer eller tager fødevarer ud.
  - Jo kortere tid, døren er åben, des mindre is dannes i fryseren.
  - Rengør jævnligt bag ved køleskabet. Støv øger energiforbruget.
  - Undlad at indstille temperaturen koldere end nødvendigt.
  - Sørg for tilstrækkelig luftstrøm ved køleskabets sokkel og ved køleskabets bagside. Tildæk ikke ventilationsåbninger.
  - Lad der være noget plads fri til højre, venstre, bagved og øverst, når du installerer køleskabet. Dette medvirker til at reducere strømforbruget og holde din strømregning nede.



- 
- Vælg 560 mm ovnrum. Et mindre ovnrum vil medføre højere energiforbrug.

Dette apparat er beregnet til brug i husholdninger og lignende anvendelser, som f.eks.

- personalekøkken i butikker, kontorer og andre arbejdsmiljøer
- landbygninger og til gæster på hoteller, moteller og andre private beboelsesmiljøer
- bed and breakfast-miljøer
- catering og lignende ikke-detail-anvendelser.

## **Alvorlige advarselstegn for transport og stedet**

---

### **⚠ ADVARSEL**

- Ved transport og installation af apparatet skal du passe på ikke at beskadige nogen dele af kølesystemet.
  - Kølemiddel, der lækker fra rørene, kan antændes eller medføre øjenskader. Hvis du finder en lækage, skal du undgå al form for levende ild og mulige antændelseskilder og lufte ud i det rum, apparatet står i, i flere minutter.
  - Dette apparat indeholder en lille mængde isobutan-kølemiddel (R-600a), en naturgas, der er meget miljøvenlig, men også brændbar. Ved transport og installation af apparatet skal du passe på ikke at beskadige nogen dele af kølesystemet.

# Sikkerhedsinformationer

---

## Vigtige advarsler vedrørende installation

---

### ADVARSEL

- Installer ikke køleskabet på et fugtigt sted, eller hvor det kommer i kontakt med vand.
  - Forringet isolering af elektriske dele kan forårsage elektrisk stød eller brand.
- Undgå at anbringe køleskabet i direkte sollys eller i nærheden af varme fra ovne, opvarmningskilder eller andre apparater.
- Slut ikke flere apparater til det samme strømkabel. Køleskabet skal altid være tilsluttet sin egen enkelte stikkontakt, der har en spænding svarende til mærkatpladen.
  - Dette giver den bedste ydelse og forhindrer også overbelastning af hjemmets elinstallation, der kan medføre brandfare på grund af overophedede ledninger.
- Hvis stikkontakten er løs, må du ikke sætte strømstikket i.
  - Der er risiko for elektrisk stød eller brand.
- Undgå at bruge et kabel, der er revnet eller slidt langs siderne eller i enderne.
- Undgå at bøje strømkablet for meget eller anbringe tunge ting oven på det.
- Træk ikke i strømkablet, og bøj det ikke for meget.
- Sno eller bind ikke strømkablet.
- Hæng ikke strømkablet over en metalgenstand, anbring ikke tunge genstande på strømkablet, placér ikke strømkablet mellem genstande, og tryk ikke strømkablet ind i mellemrummet bag apparatet.

- 
- Pas på ikke at køre over eller beskadige strømkablet, når køleskabet flyttes.
    - Dette kan medføre elektrisk stød eller brand.
  - Tag aldrig køleskabet ud af stikkontakten ud ved at trække i strømkablet. Tag altid fat om stikket, og træk det lige ud af stikkontakten.
    - Skade på ledningen kan medføre en kortslutning, brand og/eller elektrisk stød.
  - Undgå at bruge aerosoler i nærheden af køleskabet.
    - Brug af aerosoler i nærheden af køleskabet kan udløse brand eller eksplosion.
  - Installér ikke dette apparat tæt på et varmeapparat eller brændbare materialer.
  - Undgå at installere dette apparat på et sted, hvor der er risiko for gaslækage.
    - Dette kan medføre elektrisk stød eller brand.
  - Før du tager køleskabet i brug, skal det placeres og installeres korrekt i overensstemmelse med instruktionerne i denne vejledning.
  - Tilslut strømstikket korrekt med kablet hængende nedad.
    - Hvis du tilslutter strømstikket omvendt, kan ledningen blive afskåret og medføre brand eller elektrisk stød.
  - Sørg for, at strømstikket ikke bliver mast eller beskadiget af køleskabets bagside.
  - Hold emballagematerialerne uden for børns rækkevidde.
    - Der er risiko for kvælning, hvis et barn tager emballeringsmaterialerne over hovedet.

# Sikkerhedsinformationer

---

- Installer ikke dette apparat på et fugtigt, oliiefyldt eller snavset sted, eller et sted, der udsættes for direkte sollys og vand (regndråber).
  - Forringet isolering af elektriske dele kan forårsage elektrisk stød eller brand.
- Hvis der er støv eller vand i køleskabet, skal du tage stikket ud og kontakte dit Samsung Electronics-servicecenter.
  - Ellers er der fare for brand.
- Du må ikke stå oven på apparatet eller anbringe genstande (f.eks. vasketøj, tændte stearinlys, tændte cigaretter, tallerkener, kemikalier, metalgenstande mv.) på apparatet.
  - Dette kan medføre elektrisk stød, brand, problemer med produktet eller personskaade.
- Du skal fjerne alle de beskyttende plasticfilm, før du tilslutter produktet første gang.
- Børn skal overvåges for at sikre, at de ikke leger med de låseringe, der bruges til justering af døren eller clips til vandslangen.
  - Der er risiko for kvælning, hvis et barn sluger en låsering eller en clips til vandslangen. Hold låseringene og clips til vandslangen uden for børns rækkevidde.
- Køleskabet skal have sikker jordforbindelse.
  - Sørg altid for, at køleskabet har jordforbindelse, før du forsøger at undersøge eller reparere nogen dele af apparatet. Strømlækager kan medføre alvorligt elektrisk stød.

- 
- Undgå at bruge gasrør, telefonlinjer eller andre potentielle lynledere som elektrisk jordforbindelse.
    - Køleskabet skal jordforbindes for at forhindre strømlækager eller elektriske stød forårsaget af strømlækage fra køleskabet.
    - Dette kan medføre elektrisk stød, brand, eksplosion eller problemer med produktet.
  - Sæt strømstikket forsvarligt i stikkontakten. Brug ikke et beskadiget strømstik, et beskadiget strømkabel eller en løs stikkontakt.
    - Dette kan medføre elektrisk stød eller brand.
  - Køleskabets sikring skal skiftes af en kvalificeret tekniker eller servicevirksomhed.
    - Hvis dette ikke overholdes, kan det medføre elektrisk stød eller personskade.
  - Dette apparat er en indbygget model, der kræver ført kontrolleret ventilation. For at undgå risiko for eksplosion skal det sikres, at rummet er ventileret.
  - Køleskabets sikring skal skiftes af en kvalificeret tekniker eller servicevirksomhed. Hvis dette ikke overholdes, kan det medføre elektrisk stød eller personskade.

## Forsigtighed under installation

---

### **FORSIGTIG**

- Efterlad tilstrækkelig plads rundt om køleskabet, og installér det på en plan overflade.
  - Hvis dit køleskab ikke er i vater, kan køleeffektiviteten og holdbarheden blive forringet.

## Sikkerhedsinformationer

---

- Lad apparatet stå i 2-3 timer efter installation og tænding, inden du lægger fødevarer i.
- Vi anbefaler på det kraftigste, at du får en kvalificeret tekniker eller servicevirksomhed til at installere køleskabet.
  - Hvis dette ikke overholdes, kan det medføre elektrisk stød, brand, eksplosion, problemer med produktet eller personskader.

### Vigtige advarsler vedrørende brug

---

#### ADVARSEL

- Isæt ikke strømkablet i stikkontakten med våde hænder.
  - Det kan medføre elektrisk stød.
- Undgå at opbevare ting oven på apparatet.
  - Når du åbner eller lukker døren, kan genstandene falde ned og medføre person- og/eller tingsskade.
- Stik ikke hænder, fødder eller metalgenstande (som f.eks. spisepinde o.l.) ind i bunden eller ind bag i køleskabet.
  - Det kan medføre elektrisk stød eller personskade.
  - Alle skarpe kanter kan medføre personskade.
- Undgå at røre ved fryserens indersider eller produkter, der har været i fryseren, med våde hænder.
  - Det kan forårsage forfrysninger.
- Anbring ikke beholdere fyldt med vand på køleskabet.
  - Der er fare for elektrisk stød eller brand, hvis vandet spildes.

- 
- Opbevar ikke flygtige eller brændbare genstande eller stoffer (benzen, fortynder, propangas, alkohol, æter, LP-gas og andre lignende produkter mv.) i køleskabet.
    - Køleskabet er kun til opbevaring af fødevarer.
    - Dette kan medføre brand eller eksplosion.
  - Børn bør overvåges for at sikre, at de ikke leger med apparatet.
    - Hold fingrene ude af "klemmestederne": Åbningerne mellem dørene og kabinettet er nødvendigvis små. Pas på, når du åbner døre, hvis der er børn i nærheden.
  - Placér ikke dine eller dine børns fingre mellem dørene.
    - Hold fingrene borte fra dørmellemrummene til højre og venstre. Pas på, når du åbner dørene, hvis dine fingre er mellem dørene.
  - Lad ikke børn hænge i døren eller dørsøjlerne. Dette kan medføre alvorlig personskade.
  - Lad ikke børn gå ind i køleskabet. De kan blive fanget.
  - Sæt ikke hænderne ind under apparatets nederste område.
    - Alle skarpe kanter kan medføre personskade.
  - Opbevar ikke lægemidler, videnskabelige materialer eller temperaturfølsomme produkter i køleskabet.
    - Produkter, der kræver streng temperaturstyring, må ikke opbevares i køleskabet.
  - Hvis der lugter af lægeartikler eller røg, så fjern straks stikket fra stikkontakten, og kontakt dit Samsung Electronics-servicecenter.
  - Hvis der er støv eller vand i køleskabet, skal du tage stikket ud og kontakte dit Samsung Electronics-servicecenter.
    - Ellers er der fare for brand.

## Sikkerhedsinformationer

---

- Lad ikke børn træde på en af skufferne.
  - Skuffen kan knække, hvilket kan medføre, at de falder.
- Lad ikke køleskabsdørene være åbne, når køleskabet er uden opsyn, og lad ikke børn kravle ind i køleskabet.
- Babyer og børn må ikke komme ind i skuffen.
  - Det kan medføre kvælning eller personskade.
- Overfyld ikke køleskabet med madvarer.
  - Når du åbner døren, kan en genstand falde ned og medføre personskade og/eller skade på materiel.
- Sprøjt ikke flygtige materialer, som f.eks. insektspray, på overfladen af apparatet.
  - Foruden at være skadeligt for mennesker kan det også medføre elektrisk stød, brand eller problemer med produktet.
- Brug ikke, og anbring ikke stoffer, der er temperaturfølsomme, som f.eks. brændbare sprayer, brændbare genstande, tørre, medicin eller kemikalier, i nærheden af eller i køleskabet.
- Brug ikke en hårtørrer til at tørre køleskabets inderside. Anbring ikke tændte stearinlys i køleskabet for at fjerne dårlige lugte.
  - Dette kan medføre elektrisk stød eller brand.
- Du må ikke stå oven på apparatet eller anbringe genstande (f.eks. vasketøj, tændte stearinlys, tændte cigaretter, tallerkener, kemikalier, metalgenstande mv.) på apparatet. Dette kan medføre elektrisk stød, brand, problemer med produktet eller personskade. Sæt ikke beholdere fyldt med vand på apparatet.
  - Der er fare for elektrisk stød eller brand, hvis vandet spildes.



- 
- Se aldrig direkte på UV LED-pæren i længere tid.
    - Dette kan medføre træthed i øjnene pga. ultraviolet lys.
  - Vend ikke hylde på hovedet. Hyldestopperen fungerer muligvis ikke.
    - Det kan medføre personskade, hvis en glashylde falder ud.
  - Hvis der detekteres en gaslækage, skal du undgå al form for levende ild eller mulige antændelseskilder og i flere minutter udlufte det rum, apparatet står i.
    - Rør ikke ved apparatet eller strømkablet.
    - Brug ikke en ventilator.
    - En gnist kan udløse en eksplosion eller en brand.
  - Flasker skal opbevares trangt, så de ikke falder ud.
  - Dette produkt må kun bruges til opbevaring af fødevarer i private husholdninger.
  - Forsøg ikke selv at reparere køleskabet, skille det ad eller ændre det.
    - Uautoriserede modifikationer kan medføre sikkerhedsproblemer. For at rette en uautoriseret modifikation opkræver vi de fulde omkostninger til reservedele og arbejds løn.
  - Brug ikke andre sikringer (som f.eks. kobber, ståltråd mv.) end standardsikringen.
  - Hvis dit køleskab skal repareres eller geninstalleres, skal du kontakte dit nærmeste servicecenter
    - Hvis dette ikke overholdes, kan det medføre elektrisk stød, brand, problemer med produktet eller personskade.

## Sikkerhedsinformationer

---

- Hvis køleskabet lugter brændt eller ryger, skal du straks tage køleskabet ud af kontakten og kontakte dit Samsung Electronics-servicecenter.
  - Ellers kan det medføre elektrisk stød eller brand.
- Træk strømstikket ud af stikkontakten inden udskiftning af køleskabspærer.
  - Ellers er der risiko for elektrisk stød.
- Kontakt en Samsung-serviceleverandør, hvis du oplever, at det er svært at skifte en pære, som ikke er LED.
- Sæt strømstikket forsvarligt i stikkontakten.
- Brug ikke et beskadiget strømstik, et beskadiget strømkabel eller en løs stikkontakt.
  - Dette kan medføre elektrisk stød eller brand.

## Forsigtighed under brug

---

### **FORSIGTIG**

- Optøede madvarer må ikke nedfryses igen.
  - Frosset og optøet mad udvikler skadelige bakterier hurtigere end frisk mad.
  - Optøning for anden gang nedbryder flere celler, udluderer fugt og ændrer produktets integritet.
- Optø ikke kød ved stuetemperatur.
  - Sikkerhed afhænger af, om det rå produkt blev håndteret korrekt.
- Anbring ikke glasflasker eller kulsyreholdige drikke i fryseren.
  - Beholderen kan fryse og gå i stykker, og dette kan medføre personskade.

- 
- Brug kun den ismaskine, der fulgte med køleskabet.
  - Sådan får du den bedste ydelse fra produktet
    - Anbring ikke fødevarer for tæt på ventilationsåbningerne bagerst på køleskabet, da dette kan forhindre fri luftcirkulation i kølerummet.
    - Pak fødevarerne ordentligt ind, eller anbring dem i lufttætte beholdere, før de kommes i køleskabet.
    - Overhold de maksimale opbevaringstider og udløbsdatoer på frosne fødevarer.
    - Det er ikke nødvendigt at koble køleskabet fra stikkontakten, hvis du er borte i mindre end tre uger. Hvis du er væk i mere end tre uger, skal du imidlertid fjerne alle fødevarer og al is i isspanden, tage køleskabet ud af stikkontakten, lukke vandventilen, tørre overskydende fugt fra de indvendige vægge og lade dørene stå åbne for at forhindre lugt og mug.
  - Servicegaranti og ændringer.
    - Ændringer på det opstillede apparat, der udføres af en tredjepart, dækkes ikke af Samsungs garanti, og Samsung er heller ikke ansvarlig for sikkerhedsfejl og skader, der opstår som følge af ændringer udført af tredjepart.
  - Blokér ikke lufthullerne inde i køleskabet.
    - Hvis lufthullerne er blokeret, specielt med en plasticpose, kan køleskabet bliver overafkølet.
  - Aftør fugt fra indersiden, og lad dørene stå åbne.
    - Ellers kan der dannes dårlig lugt og mug.
  - Hvis køleskabet tages ud af stikkontakten, skal du vente mindst fem minutter, før du slutter det til igen.

## Sikkerhedsinformationer

---

- Hvis køleskabet er blevet vådt, skal du fjerne strømstikket og kontakte dit Samsung Electronics-servicecenter.
- Du må ikke slå på eller bruge overdreven kraft på eventuelle glasoverflader.
  - Ituslået glas kan medføre personskaade og/eller materiel skade.
- Vær forsigtig, så dine finger ikke sidder fast.
- Hvis køleskabet oversvømmes, skal du kontakte dit nærmeste servicecenter.
  - Der er fare for elektrisk stød eller brand.
- Opbevar ikke vegetabilsk olie i dørhylderne på dit køleskab. Olien kan stivne, hvilket bevirker, at den smager dårligt og er svær at bruge. Desuden kan den åbne emballage lække, og lækket olie kan medføre, at dørhylden revner. Efter noget emballage med olie er blevet åbnet, er det bedst at opbevare emballagen et køligt og skyggefyldt sted, som i et skab.
  - Eksempler på vegetabilsk olie: olivenolie, majsolie, vindrukerneolie osv.

## Forsigtighed under rengøring

---

### **FORSIGTIG**

- Sprøjt ikke vand direkte på køleskabets inder- eller yderside.
  - Der er fare for elektrisk stød eller brand.
- Brug ikke en hårtørrer til at tørre køleskabets inderside.

- 
- Undgå at anbringe tændte stearinlys i køleskabet for at fjerne dårlig lugt.
    - Dette kan medføre elektrisk stød eller brand.
  - Sprøjt ikke rengøringsmiddel direkte på displayet.
    - Trykte bogstaver på displayet kan gå af.
  - Hvis fremmede substanser, som f.eks. vand, er kommet ind i apparatet, skal du afbryde strømmen og kontakte dit nærmeste servicecenter.
    - Ellers kan det medføre elektrisk stød eller brand.
  - Brug en ren, tør klud til at fjerne eventuelle fremmedlegemer eller støv fra strømskikket. Brug ikke en våd eller fugtig klud ved rengøring af stikket.
    - Ellers er der fare for elektrisk stød eller brand.
  - Apparatet må ikke rengøres ved at sprøjte vand direkte på det.
  - Brug ikke benzen, fortynder eller klorholdige materialer til rengøring.
    - De kan ødelægge apparatets overflade og medføre brand.
  - Inden rengøring eller vedligeholdelse skal du tage apparatet ud af stikkontakten.
    - Ellers kan det medføre elektrisk stød eller brand.
  - Brug en ren svamp eller en blød klud og et mildt rengøringsmiddel i varmt vand til rengøring af køleskabet.

## Sikkerhedsinformationer

---

- Brug ikke skurende eller skrappe rengøringsmidler, som vinduessprays, skurecreme, antændelige væsker, saltsyre, rengøringsvoks, koncentrerede rengøringsmidler, blegemidler eller rengøringsmidler med petroleumsprodukter på ydre overflader (døre og skabslåger), plastikdele, kanter på døre og indvendige dele, samt kurve.
  - De kan ridse eller beskadige materialet.
- Rengør ikke glashylder eller låger med varmt vand, når de er kolde. Glashylder og låger kan knække, hvis de udsættes for pludselige temperaturskift eller påvirkninger som bump, eller hvis de tabes.

## Vigtige advarsler vedrørende bortskaffelse

---

### ADVARSEL

- Bortskaf emballagematerialerne fra dette produkt på en miljømæssigt forsvarlig måde.
- Sørg for, at ingen af rørene på bagsiden af køleskabet er beskadigede inden bortskaffelse.
- Ved bortskaffelse af dette køleskab skal du fjerne døre/dørtætninger og dørbeslag, så små børn og dyr ikke kan blive lukket inde i det. Børn bør overvåges for at sikre, at de ikke leger med apparatet. Hvis et barn lukkes inde i apparatet, kan det komme til skade og blive kvalt.
  - Hvis børn lukkes inde i apparatet, kan de komme til skade og blive kvalt.

- 
- Der anvendes cyclopentan i isoleringen. Gasserne i isoleringsmaterialet kræver en særlig bortskaffelsesprocedure. Kontakt dine lokale miljømyndigheder for miljømæssig sikker bortskaffelse af dette produkt.
  - Hold alle emballagematerialer uden for børns rækkevidde, da emballagematerialer kan være farlige for børn.
    - Hvis et barn tager en pose over hovedet, kan det blive kvalt.

## Flere tips til korrekt anvendelse

---

- I tilfælde af strømsvigt skal du kontakte dit lokale elseskab og spørge, hvor længe det varer.
  - De fleste strømafbrydelser, der løses i løbet af en time eller to, påvirker ikke temperaturen i dit køleskab. Du skal dog ikke åbne døren for tit, når strømmen er slået fra.
  - Hvis et strømsvigt varer i mere end 24 timer, skal alle frosne madvarer fjernes.
- Køleskabet virker muligvis ikke konsekvent (frossent indhold kan tø, eller temperaturen kan blive for høj i fryserummet), hvis køleskabet i en længere periode placeres på et sted, hvor den omgivende temperatur konstant er under de temperaturer, apparatet er designet til.
- I kraft af sine egenskaber bevares visse typer madvarer dårligere under nedkøling.

## Sikkerhedsinformationer

---

- Apparatet er frostfrit, hvilket betyder, at du ikke behøver afrime det manuelt. Det sker automatisk.
- Temperaturstigning under afrimning er i overensstemmelse med ISO-krav. Men hvis du ønsker at forhindre en uønsket stigning af temperaturen i de frosne madvarer under afrimning af apparatet, skal du pakke de frosne madvarer ind i flere lag avispapir.
- Genindfrys ikke frosne fødevarer, der er optøet helt.
- Temperaturen i tostjernesektionen (sektionerne) eller rummet (rummene), der er forsynet med tostjernesymbolet (☉ ☉), er en anelse højere end i andre fryserum (rum). Placeringen af tostjernesektionen (sektionerne) eller rummet (rummene) er baseret på instruktionerne og/eller forholdene ved levering.



---

## Instruktioner vedrørende affald fra elektrisk og elektronisk udstyr

---



Korrekt bortskaffelse af dette produkt (elektrisk & elektronisk udstyr)  
(Gælder i lande med systemer til affaldssortering)

Denne mærkning på produktet, på tilbehør eller i manualen betyder, at produktet og elektronisk tilbehør hertil (f.eks. oplader, headset og USB-kabel) ikke må bortskaffes sammen med almindeligt husholdningsaffald efter endt levetid.

For at forebygge skadelige virkninger på menneskers helbred eller miljøet skal disse genstande bortskaffes adskilt fra andre typer af affald og indleveres på en genbrugsplads med henblik på genindvinding.

Forbrugere bedes kontakte forhandleren, hvor de har købt produktet, eller kommunen for nærmere oplysning om, hvor og hvordan de kan indlevere produkt og tilbehør med henblik på miljøvenlig genindvinding.

Virksomheder bedes kontakte leverandøren og følge anvisningerne i købekontrakten. Dette produkt og elektronisk tilbehør hertil må ikke bortskaffes sammen med andet erhvervsaffald.

Der findes oplysninger om Samsungs miljømæssige forpligtelser og produktspecifikke lovmæssige forpligtelser som f.eks. REACH, WEEE eller batterier, på vores side om bæredygtighed, som er tilgængelig via [www.samsung.com](http://www.samsung.com)

(Gælder kun for produkter, der sælges i europæiske lande og i Storbritannien)

# Installation

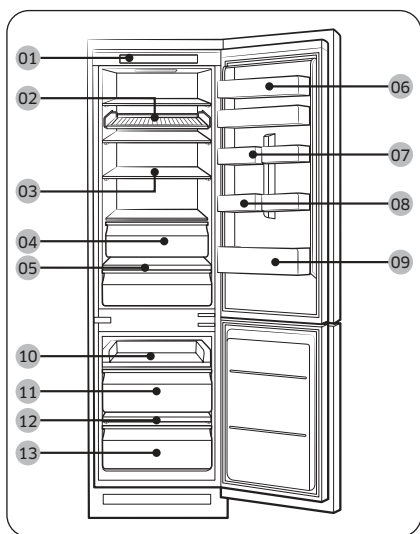
Følg disse instruktioner nøje for at sikre korrekt installation af køleskabet og forhindre uheld før brug heraf.

## ⚠ ADVARSEL

- Brug kun køleskabet til formålet som beskrevet i denne vejledning.
- Al service skal udføres af en kvalificeret tekniker.
- Bortskaf produktets emballeringsmateriale i overensstemmelse med lokale regulativer.
- For at forhindre elektrisk stød skal strømkablet tages ud af stikkontakten før udførelse af service eller reparationer.

## Overblik over køleskabet

Det faktiske billede og køleskabets medfølgende komponenter afviger muligvis afhængigt af model og land.



- 01 Betjeningspanel
- 02 Vinhylde \*
- 03 Køleskabshylde \*
- 04 Køleskabsskuffe \*
- 05 Grøntsagshylde \*
- 06 Øverste dørhylde \*
- 07 Dørbeholder til forskelligt
- 08 Æggebakke \*
- 09 Køleskabsdørhylde
- 10 Flytbar hylde
- 11 Midterste fryserkuffe
- 12 Fryserhylde \*
- 13 Nederste fryserkuffe

\* kun relevante modeller

## 📖 BEMÆRK

- For at opnå den bedste energieffektivitet skal du sørge for, at alle hylder, skuffer og kurve er placeret i deres oprindelige position.
- Kun til modeller med fryserhylde:
  - Brug fryseren, efter den nederste skuffe i fryseren er fjernet, til hurtigt at fryse store mængder af madvarer.
  - Du kan få mere plads ved at fjerne den flytbare hylde (10) og de to fryserkuffer (11, 13) under den, men flyt ikke fryserhylden på fryserens nederste skuffe. De påvirker ikke de termiske og mekaniske egenskaber. Den opgivne opbevaringsvolumen til opbevaring af frosne fødevarer er beregnet med hylden og fryserkufferne fjernet.

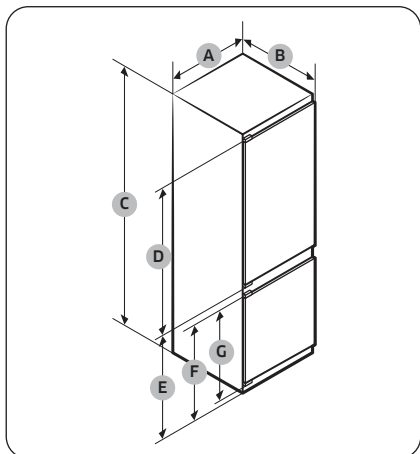
## Trin for trin-installation

### TRIN 1 Vælg et sted

Krav til stedet:

- Fast, jævn overflade uden gulvtæppe eller gulvbelægning, der kan forhindre ventilation
- Væk fra direkte sollys
- Tilstrækkelig plads til at åbne og lukke døren
- Væk fra varmekilder
- Plads til vedligeholdelse og service

Produktmål

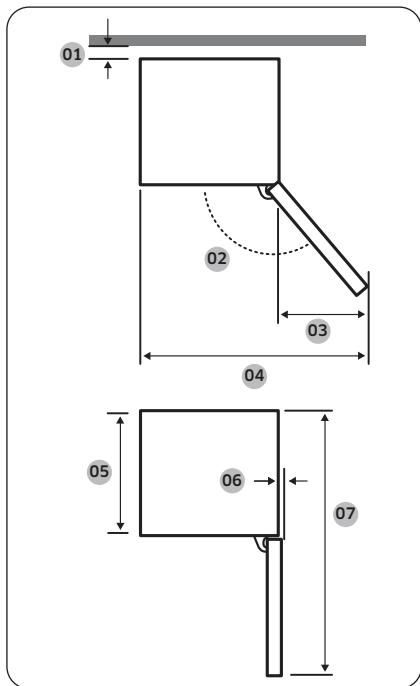


|   | BRB***26"       | BRB***30"       |
|---|-----------------|-----------------|
| A | 540±2           | 540±2           |
| B | 550±2 (med dør) | 550±2 (med dør) |
| C | 1775±2          | 1935±2          |
| D | 987             | 1147            |
| E | 735             | 735             |
| F | 671             | 671             |
| G | 621             | 621             |

(enhed:mm)

# Installation

Produktets overordnede dimensioner



| Model | BRB*****SO<br>FLYTBAR TYPE | BRB*****FO<br>FASTGJORT TYPE |
|-------|----------------------------|------------------------------|
| 01 *  | 10 (Min.) / 30 (anbefales) |                              |
| 02    | 95° (anbefales)            | 115° (anbefales)             |
| 03    | 218                        | 180                          |
| 04    | 758                        | 700                          |
| 05    | 510                        | 510                          |
| 06    | 1                          | 5                            |
| 07    | 1055                       | 1055                         |

\* 01: Fra kabinettet til bagside af produktet.  
(enhed:mm)

## BEMÆRK

- Det specificerede energiforbrug er baseret på det forhold, at der er et mellemrum på 10 mm fra kabinettet til bagsiden af produktet. Produktet vil fungerer korrekt, selv hvis mellemrummet er mindre end 10 mm, men det vil forbruge en anelse mere energi.
- Vi anbefaler, at du bruger et kabinet, der er 18 mm tykt med hængsler, som er mindre end 20 mm tykke.

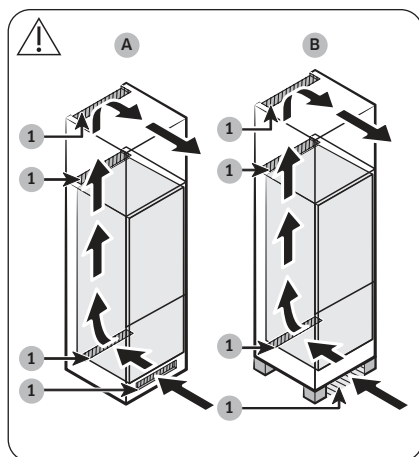
## BEMÆRK

- Målene i ovennævnte tabel kan afvige, afhængig af målemetoden.
- Se Installationsvejledningen for indbygget installation.

## Kabinettets ventilationssystem

Som vist på figuren cirkulerer den luft, der kommer ind i køleskabet, langs kabinettets ventilationssti (se pilens retning). Kabinettet skal have mindst 200 cm<sup>2</sup> (B x H: 500 mm x 40 mm) plads både til luftindtag og til luftudtag. Kabinettet skal desuden have en ventilationsåbning på mindst 200 cm<sup>2</sup> (B x H: 500 mm x 40 mm) nederst bagpå.

### Luftindtag

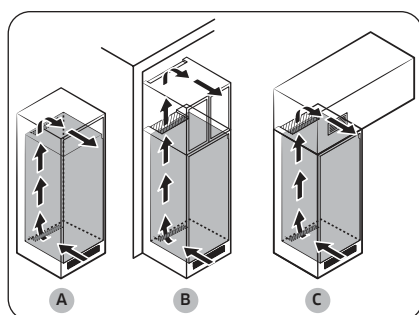


|   |                     |
|---|---------------------|
| 1 | 200 cm <sup>2</sup> |
|---|---------------------|

Luftindtaget skal være placeret som i et af eksemplerne herunder, eller i en lignende position, afhængigt af din kabinettype.

- A. Et ventilationshul er inkluderet i kabinettet.
- B. Et kabinet med fødder.

### Luftudtag



Luftudtaget skal være placeret som i et af eksemplerne herunder, eller i en lignende position, afhængigt af din kabinettype.

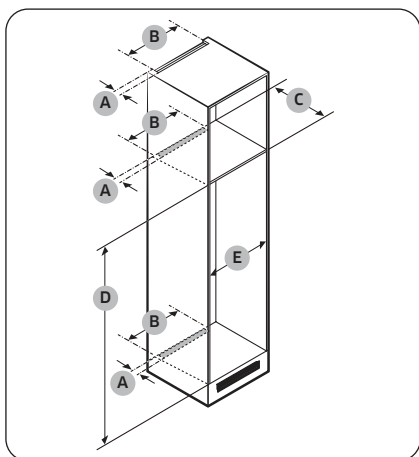
- A. Umiddelbart over køleskabet via en valgfri ventilationsåbning
- B. Tæt på kabinettets loft
- C. Over køleskabet med en separat, indbygget ventilationsåbning

### ⚠ FORSIGTIG

Uanset kabinetdesign må luftventilationssystemet ikke blokeres af nogen form for installation.

# Installation

## Kabinetmål



### ⚠ FORSIGTIG

Hvis der er dør i kabinettet, skal du kontrollere, at døren ikke er tung, så den vipper eller falder af.

| Kabinetdør      | Tykkelse (mm) | Vægt (kg) |
|-----------------|---------------|-----------|
| Side i køleskab | Min. 16       | Maks. 18  |
| Side i fryser   | Maks. 19      | Maks. 12  |

Garantien dækker ikke produktfejl, der er forårsaget af nedenstående.

1. Forkerte mål på placeringsstedet eller forkerte kabinetstørrelser
2. Defekt kabinet
3. Fejl udført af installatør eller bruger

## Frihøjde

Se billederne og tabellen herunder for pladskrav til installation.

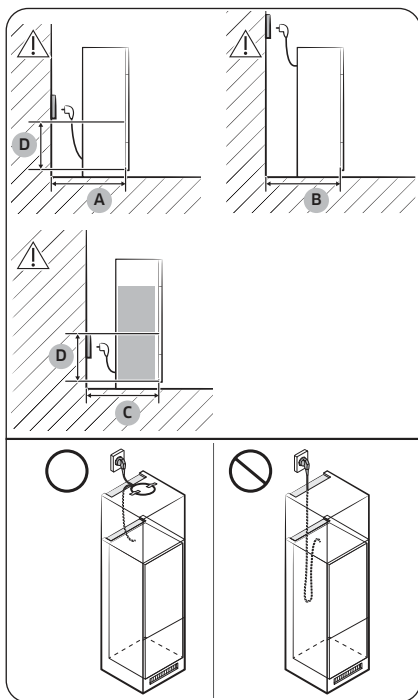
| Model                          |           | A (mm) | B (mm) | C (mm) | D (mm) | E (mm) | Bemærkning     |
|--------------------------------|-----------|--------|--------|--------|--------|--------|----------------|
| BRB***26**S0<br>FLYTBAR TYPE   | Min.      | 40     | 500    | 560    | 1778   | 560    |                |
|                                | Anbefalet |        |        | 580    | 1780   | 562    |                |
|                                | Maks.     |        |        | -      | 1782   | 568    |                |
| BRB***26**F0<br>FASTGJORT TYPE | Min.      | 40     | 500    | 560    | 1778   | 555    | Hængsel: 17 mm |
|                                | Anbefalet |        |        | 580    | 1780   | 562    |                |
|                                | Maks.     |        |        | -      | 1782   | 568    |                |
| BRB***30**S0<br>FLYTBAR TYPE   | Min.      | 40     | 500    | 560    | 1938   | 560    |                |
|                                | Anbefalet |        |        | 580    | 1940   | 562    |                |
|                                | Maks.     |        |        | -      | 1942   | 568    |                |
| BRB***30**F0<br>FASTGJORT TYPE | Min.      | 40     | 500    | 560    | 1938   | 555    | Hængsel: 17 mm |
|                                | Anbefalet |        |        | 580    | 1940   | 562    |                |
|                                | Maks.     |        |        | -      | 1942   | 568    |                |

### 📖 BEMÆRK

- Hvis kabinettet er bredere end 568 mm, kan pakningen (mellem køleskabet og kabinettet) løsne sig.

- Hvis kabinettet er højere end de maksimale dimensioner (1782 mm), skal du bruge andre materialer til udfyldning af mellemrummet.

#### Overvejelser om placering af strømdåse og nødvendig plads



|   |          |
|---|----------|
| A | Min. 590 |
| B | Min. 560 |
| C | Min. 580 |
| D | 240      |

(enhed:mm)

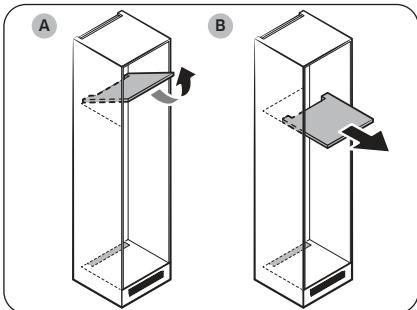
#### BEMÆRK

Hvis du installerer køleskabet i et kabinet med en dybde på 560 mm, skal du sørge for, at strømledningen arrangeres på siden af køleskabet, før du stikker den i stikkontakten. Hvis strømledningen er i nærheden af køleskabet kan det reducere energieffektiviteten.

# Installation

## Kabinetype

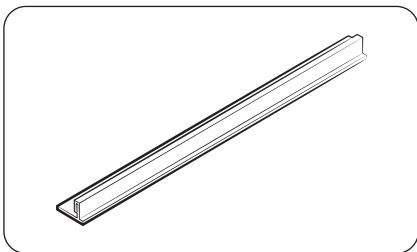
Den anbefalede kabinetype er en af følgende:



### BEMÆRK

Ved brug af en af disse kabinetter behøver man ikke fjerne hovedenheden fra kabinettet i forbindelse med service af defekt PBA. Ved brug af en anden kabinetype skal hovedenheden fjernes fra kabinettet før service.

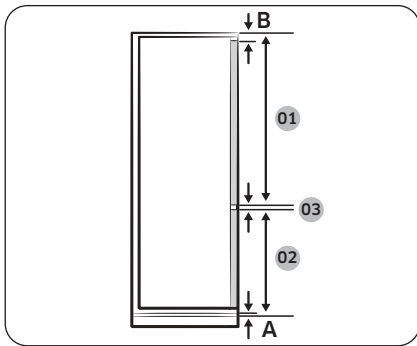
- A. Kan vippes
- B. Kan flyttes



### BEMÆRK

- Hvis der bruges et kabinet i en ikke-anbefalet størrelse, kan det medføre, at tætningen mellem køleskabet og kabinettet løsner sig, efter køleskabet er sat ind i kabinettet.





### BEMÆRK

Se referencetabellen til kabinettet herunder for installation af et kabinet, der kræver et 3 mm mellemrum (03).

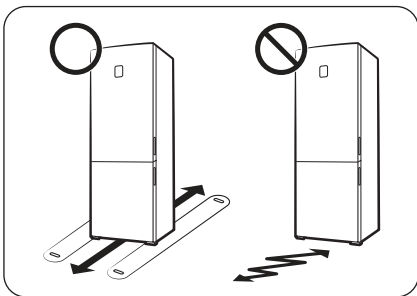
| Model | BRB***26**S0<br>FLYTBAR TYPE                  | BRB***26**FO<br>FASTGJORT TYPE |
|-------|---|--------------------------------|
| 01    | Min. 1041+B<br>Maks. 1102+B                   | Min. 1063+B<br>Maks. 1076+B    |
| 02    | Min. 670+A<br>Maks. 731+A                     | Min. 696+A<br>Maks. 709+A      |
| 03    | 3 mm<br>(mellemrum mellem køleskab og fryser) |                                |

| Model | BRB***30**S0<br>FLYTBAR TYPE                  | BRB***30**FO<br>FASTGJORT TYPE |
|-------|---|--------------------------------|
| 01    | Min. 1204+B<br>Maks. 1262+B                   | Min. 1223+B<br>Maks. 1236+B    |
| 02    | Min. 670+A<br>Maks. 731+A                     | Min. 696+A<br>Maks. 709+A      |
| 03    | 3 mm<br>(mellemrum mellem køleskab og fryser) |                                |

- A. Nederste kant af frontpanel over luftventilationen
- B. Udhæng på frontpanel

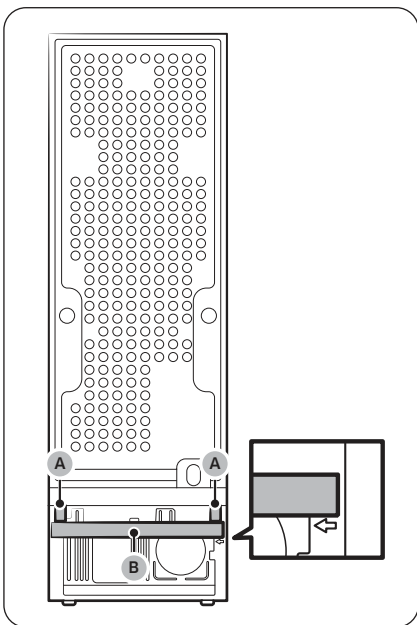
# Installation

## TRIN 2 Gulv



- Den overflade, hvor køleskabet skal installeres, skal understøtte et fuldt lastet køleskab.
- For at beskytte gulvet kan du lægge et stort stykke pap under hver køleskabsfod.
- Når køleskabet er placeret på dets endelige sted, må du ikke flytte det, medmindre det er nødvendigt for at beskytte gulvet. Om nødvendigt kan du bruge et tykt stykke papir eller en klud, f.eks. et stykke gammelt gulvtæppe, til at flytte køleskabet.

## TRIN 3 Afstand (kun relevante modeller)



Monter de medfølgende afstandsstykker (A) og svampen (B) som vist i figuren for optimal energieffektivitet.

### ⚠ FORSIGTIG

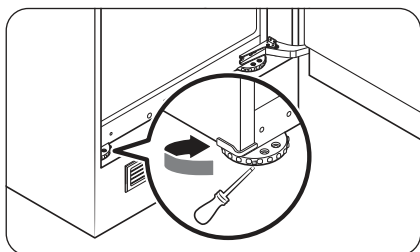
Hvis køleskabet ikke flugter med kabinettet, kan du skære afstandsstykkerne til for at få køleskabet til at flugte med kabinettet, men optimal energieffektivitet kan ikke garanteres.

## TRIN 4 Justering af nivelleringsbenene

### ⚠ FORSIGTIG

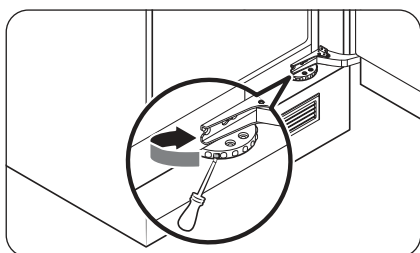
- Køleskabet skal nivelleres på et fladt, fast gulv. Mangel herpå kan medføre skade på køleskabet eller fysisk skade.
- Nivellering skal udføres med et tomt køleskab. Sørg for, at der ikke er madvarer i køleskabet.

Køleskabet kan nivelleres ved hjælp af de forreste ben, der har en special skrue (udligner) til nivelleringsformål. Brug en skruetrækker med lige kærvtil at nivellere.



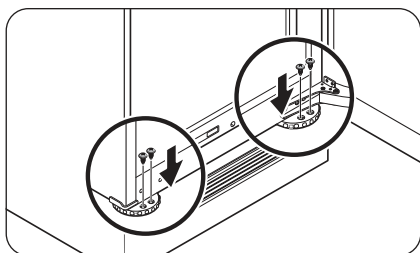
### Sådan justeres højden i venstre side:

Indsæt en skruetrækker med lige kærvt i udligneren på forreste venstre ben. Drej udligneren med uret, eller drej den mod uret for at sænke.



### Sådan justeres højden i højre side:

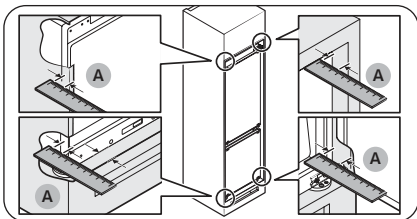
Indsæt en skruetrækker med lige kærvt i udligneren på forreste højre ben. Drej udligneren med uret, eller drej den mod uret for at sænke.



### 📖 BEMÆRK

Sørg for, at det er et mellemrum på 41 mm (A: til både glidehængslet og det faste hængsel) mellem køleskabet og skabet eller nichen. Fastgør derefter de forreste ben ved hjælp af skrueerne.

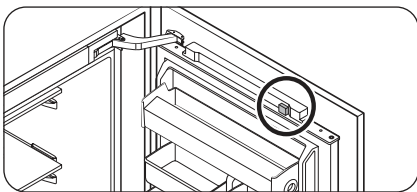
# Installation



## TRIN 5 Indledende indstillinger

Ved at afslutte følgende trin bliver dit køleskab fuldt funktionsdygtigt.

1. Fjern PE-skummet fra hvert hyldehjørne. Det sidder på for at beskytte køleskabet under transport.
2. Åbn døren og tjek, om det indvendige lys tænder.



3. Fjern PE-skummet på magneten fra dørens top.

4. Indstil temperaturen til den koldeste, og vent ca. en time. Herefter vil fryseren blive lettere afkølet, og motoren kører jævnt.
5. Vent, indtil køleskabet når den angivne temperatur. Køleskabet er nu klar til brug.

### BEMÆRK

En alarm lyder, når køleskabet tændes. For at slukke alarmen skal du trykke på **Freezer (Fryser)** eller **Fridge (Køleskab)**.

---

## TRIN 6 Temperaturalarm (kun relevante modeller)

---

### Type 1

- Køleskabets temperaturdisplay blinker '- -' med en alarm, hvis fryserummet er for varmt. Dette kan være tilfældet, hvis fryseren bliver for varm efter et strømsvigt.
- Hvis det sker, skal du trykke på **Freezer (Fryser)** eller **Fridge (Køleskab)**. Den varmeste temperatur vises i 5 sekunder. Herefter vises den faktiske temperatur. Tryk på **Door Alarm (Døralarm)** for at deaktivere alarmerne.

### Type 2

- Køleskabets temperaturindikator blinker med en alarm, hvis fryserummet er for varmt. Dette kan være tilfældet, hvis fryseren bliver for varm efter et strømsvigt. Tryk på **Freezer (Fryser)** eller **Fridge (Køleskab)** for at deaktivere alarmerne.

---

## TRIN 7 Sidste tjek

---

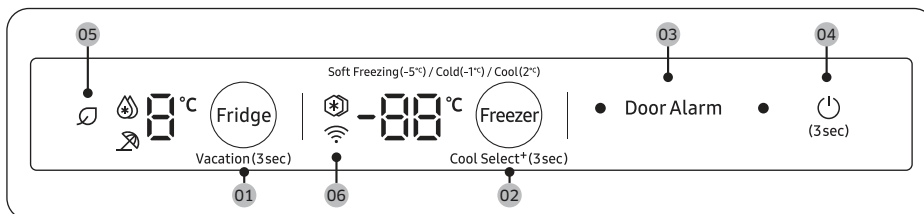
Når installationen er færdig, skal du kontrollere, at:

- Køleskabet er tilsluttet en elektrisk stikkontakt og har korrekt jordforbindelse.
- Køleskabet er installeret på en flad, jævn overflade med tilstrækkelig friplads fra væggen eller kabinettet.
- Køleskabet er i vater og står solidt på møblelementet.
- Dørene åbner og lukker frit, og det indvendige lys tænder automatisk, når du åbner døren.

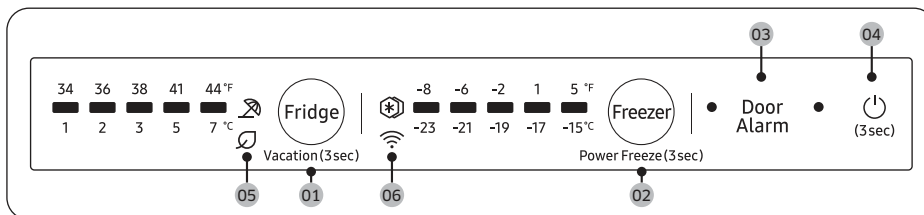
# Drift

## Hovedpanel

### TYPE 1



### TYPE 2



**01** Fridge (Køleskab) / Vacation (Ferie)

**02** Freezer (Fryser) / Power Freeze (Hurtigfrysning) / Cool Select+ \*

**03** Door Alarm (Døralarm)

**04** ⏻ (Tænd/sluk)

**05** AI Energy Mode




**06** Netværksforbindelse

\* kun relevante modeller

### **BEMÆRK**





LED-indikatorerne slukker alle på én gang, når døren åbnes, eller slukker alle på én gang, når døren lukkes.

## 01 Køleskab / Ferie (3 sek)

|                   |   |
|-------------------|---|
| Fridge (Køleskab) | <p>Hvis du vil justere temperaturen i køleskabet, skal du trykke på <b>Fridge (Køleskab)</b> for at vælge den tilsvarende temperatur. Du kan ændre temperaturen mellem 1 °C og 7 °C (standard: 3 °C).</p> <p><b>Power Cool (Hurtigkøling) (Type 1)</b></p> <p>Power Cool (Hurtigkøling) fremskynder køleprocessen ved maksimal ventilatorhastighed. Køleskabet bliver ved at køre ved fuld hastighed i to en halv time og returnerer derefter til den tidligere temperatur.</p> <ul style="list-style-type: none"><li>• For at aktivere Power Cool (Hurtigkøling) skal du vælge temperaturen 1 °C og derefter trykke på <b>Fridge (Køleskab)</b> for at vælge Power Cool (Hurtigkøling). Den tilsvarende indikator (  ) lyser, og køleskabet fremskynder køleprocessen for dig.</li><li>• For at deaktivere Power Cool (Hurtigkøling) skal du trykke på <b>Fridge (Køleskab)</b> igen. Derefter indstilles køleskabets temperatur tilbage til 7 °C.</li></ul> <p> <b>BEMÆRK</b></p> <p>Brug af Power Cool (Hurtigkøling) øger strømforbruget. Sørg for, at du slår det fra og returnerer til den tidligere temperatur, hvis du ikke skal bruge det.</p> |
| Vacation (Ferie)  | <ul style="list-style-type: none"><li>• Brug funktionen Vacation (Ferie), hvis du skal på ferie eller forretningsrejse eller hvis du ikke skal bruge køleskabet i længere tid. Køleskabets temperatur holdes under 17 °C, men fryseren forbliver aktiv som tidligere indstillet.</li><li>• For at aktivere eller deaktivere tilstanden Vacation (Ferie) skal du trykke på <b>Fridge (Køleskab)</b> og holde den inde i 3 sekunder.</li></ul> <p> <b>BEMÆRK</b></p> <ul style="list-style-type: none"><li>• Husk at fjerne madvarer i køleskabsrummet, inden du bruger tilstanden Ferie.</li><li>• Tilstanden Vacation (Ferie) deaktiveres, hvis du justerer temperaturen.</li></ul>  |

# Drift

## 02 Fryser / Hurtigfrysning (3 sek) / Cool Select+ (3 sek)

|                               |   |
|-------------------------------|---|
| Freezer (Fryser)              | <p>Knappen <b>Freezer (Fryser)</b> kan bruges til at indstille fryserens temperatur. Tilgængelige temperaturer er mellem -15 °C og -23 °C (standard: -19 °C).</p> <p> <b>BEMÆRK</b></p> <p>Du kan ikke ændre temperaturen i tilstanden Cool Select+.</p>   |
| Power Freeze (Hurtigfrysning) | <p>Power Freeze (Hurtigfrysning) fremskynder indfrysningsprocessen ved maksimal ventilatorhastighed. Fryseren bliver ved at køre ved fuld hastighed i 50 timer, og returnerer derefter til den tidligere temperatur. For at fryse store mængder af madvarer skal du aktivere Power Freeze (Hurtigfrysning) i mindst 20 timer, før du anbringer madvarer i fryseren.</p> <p><b>Type 1</b></p> <ul style="list-style-type: none"><li>• For at aktivere Power Freeze (Hurtigfrysning) skal du vælge temperaturen -23 °C og derefter trykke på <b>Freezer (Fryser)</b> for at vælge Power Freeze (Hurtigfrysning). Den tilsvarende indikator () lyser, og køleskabet fremskynder fryseprocessen for dig.</li><li>• Når processen for Power Freeze (Hurtigfrysning) er færdig, slukker den tilsvarende indikator, og fryseren går tilbage til den tidligere temperaturindstilling.</li><li>• For at deaktivere Power Freeze (Hurtigfrysning) skal du trykke på <b>Freezer (Fryser)</b> igen. Fryseren returnerer til den tidligere temperatur.</li></ul> <p><b>Type 2</b></p> <ul style="list-style-type: none"><li>• For at aktivere Power Freeze (Hurtigfrysning) skal du trykke på <b>Freezer (Fryser)</b> i 3 sekunder for at vælge Power Freeze (Hurtigfrysning). Den tilsvarende indikator () lyser, og køleskabet fremskynder fryseprocessen for dig.</li><li>• For at aktivere Power Freeze (Hurtigfrysning) skal du trykke på <b>Freezer (Fryser)</b> og holde den inde i 3 sekunder. Fryseren vender tilbage til den tidligere temperaturindstilling, og indikatoren slukker.</li></ul> <p> <b>BEMÆRK</b></p> <p>Brug af Power Freeze (Hurtigfrysning) øger strømforbruget. Sørg for, at du slår det fra og returnerer til den tidligere temperatur, hvis du ikke skal bruge det.</p> |




|                                  |   |
|----------------------------------|---|
| <b>Cool Select+<br/>(Type 1)</b> | <p>Hver gang du trykker på <b>Cool Select+</b> og holder den inde i 3 sekunder, skifter driftstilstanden i denne rækkefølge:<br/>         Freeze (Frysning) → Soft Freezing (Let frysning) (-5 °C) → Cold (Kolde) (-1 °C) → Cool (Nedkølet) (2 °C)</p> <p><b>⚠ FORSIGTIG</b></p> <ul style="list-style-type: none"> <li>• Hvis du skifter tilstand fra Freezer (Fryser) til Cool Select+, kan der lække saft eller væske fra de opbevarede madvarer.</li> <li>• Opbevar ikke kød eller fisk i længere tid i tilstanden Cool Select+. Madvarerne kan fryse eller blive dårlig på grund af forkerte temperaturindstillinger for de madvarer, der skal opbevares.</li> <li>• Hvis køleskabet generhverver strøm efter en længere periode med inaktivitet, kan indstillingerne for Cool Select+ være nulstillet til fabriksstandarder. Kontrollér indstillingerne for Cool Select+ før brug af køleskabet.</li> </ul> |
|----------------------------------|---|

### 03 Døralarm


|                                  |   |
|----------------------------------|---|
| <b>Door Alarm<br/>(Døralarm)</b> | <p>Du kan indstille alarmen som en påmindelse. Hvis døren står åben i mere end to minutter, lyder alarmen, og alarmindikatoren blinker.</p> <p>Du kan aktivere og deaktivere alarmen ved at trykke på <b>Door Alarm (Døralarm)</b>.</p> |
|----------------------------------|---|

### 04 (Tænd/sluk)

Hold  inde i 3 sekunder for at tænde for køleskabet.

Hvis du trykker på  igen og holder den inde i 3 sekunder, slukker køleskabet, og lamperne i rummene slukker også.

### 05 AI Energy Mode (kun relevante modeller)

Ikonet  vises når AI Energy Mode er i brug. Du kan slå AI Energy Mode til eller fra i SmartThings-appen. (kun relevante modeller)

# Drift

## 06 Netværksforbindelse (kun relevante modeller)

Du kan kontrollere og overvåge dit køleskab på appen SmartThings. Der findes yderligere oplysninger i afsnittet **SmartThings (kun relevante modeller)**.

### **BEMÆRK**

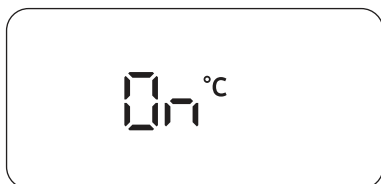
Hvis køleskabet ikke er forbundet med SmartThings-appen, blinker Wi-Fi-ikonet (📶) for at informere dig. Hvis du ser det blinkende Wi-Fi-ikon (📶), anbefaler vi, at du opretter forbindelse mellem dit køleskab og SmartThings-appen.

## Tænde og slukke for Wi-Fi (kun relevante modeller)

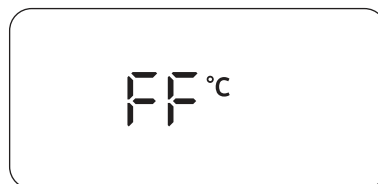
### Type 1

Tryk på og hold **Fridge (Køleskab)** inde i 10 sekunder for at tænde eller slukke for Wi-Fi. Displayet viser statussen på Wi-Fi i 5 sekunder (som vist i figuren).

Wi-Fi tændt



Wi-Fi slukket



### Type 2

Tryk på og hold **Fridge (Køleskab)** inde i 10 sekunder for at tænde eller slukke for wi-fi. Wi-Fi-ikonet (📶) viser status for Wi-fi som vist nedenfor.

- Wi-Fi slukket: Wi-Fi-ikonet (📶) blinker i 5 sekunder og slukkes derefter.
- Wi-Fi tændt: Wi-Fi-ikonet (📶) blinker i 5 sekunder og tændes derefter i 5 sekunder.

### **BEMÆRK**

- Når du konfigurerer dit Wi-Fi til at oprette forbindelse mellem køleskabet og SmartThings-appen, tænder funktionerne Wi-Fi tændt/slukket.
- Der findes yderligere oplysninger i afsnittet **SmartThings (kun relevante modeller)**.

---

## SmartThings (kun relevante modeller)

---

### Installation

Besøg Google Play Store, Galaxy Apps eller Apple App Store, og søg efter "SmartThings". Download og installer appen SmartThings, der leveres af Samsung Electronics, på din smartenhed.

#### BEMÆRK

- Den understøttede softwareversion af SmartThings-appen kan ændres i henhold til den understøttede OS-politik fra producenten. Derudover, for SmartThings-appen eller de funktioner, som appen understøtter, kan den nye applikationsopdateringspolitik på den eksisterende OS-version suspenderes på grund af anvendelses- eller sikkerhedsårsager.
- SmartThings-appen kan ændres uden varsel for at forbedre anvendelighed eller ydeevne. Da OS-versionen i mobiltelefonen opdateres hvert år, opdateres SmartThings også kontinuerligt i henhold til den seneste OS. Hvis du har spørgsmål angående de overstående punkter, kan du kontakte os på [st.service@samsung.com](mailto:st.service@samsung.com)
- Anbefalede krypteringssystemer inkluderer WPA/TKIP og WPA2/AES. Ikke alle nyere eller ikke-standardiserede Wi-Fi-godkendelsesprotokoller understøttes.
- Trådløse netværk kan blive påvirket af det omgivende trådløse kommunikationsmiljø.
- Hvis din internetudbyder har registreret MAC-adressen til din pc eller dit modem af hensyn til identifikation, vil dit Samsung Smart-køleskab muligvis ikke kunne oprette forbindelse til køleskabet. Hvis dette sker, skal du kontakte din internettjenesteudbyder for at få teknisk assistance.
- Firewall-indstillingerne for dit netværkssystem kan forhindre dit Samsung Smart-køleskab i at opnå adgang til internettet. Kontakt din internettjenesteudbyder for at få teknisk assistance. Hvis dette symptom vedvarer, skal du kontakte et lokalt Samsung-servicecenter eller din forhandler.
- Du kan konfigurere indstillingerne for det trådløse adgangspunkt (AP) ved at se betjeningsvejledningen til AP'et (routeren).
- Samsung Smart-køleskabe understøtter både Wi-Fi 2,4 GHz med IEEE 802.11 b/g/n og Soft-AP-protokoller. (IEEE 802.11 n anbefales.)
- Uautoriserede trådløse Wi-Fi-routere kan muligvis ikke oprette forbindelse til Samsung Smart-køleskabe.

# Drift

---

## Samsung-konto

Du skal registrere din Samsung-konto, før du kan bruge appen. Hvis du ikke har en Samsung-konto, skal du følge appens instruktioner på skærmen for at oprette en gratis Samsung-konto.

## Kom godt i gang

Tænd for den enhed, du vil oprette forbindelse til, åbn appen SmartThings på din telefon, og følg derefter instruktionerne nedenfor.

Hvis der vises et pop op-vindue, som siger, at en ny enhed blev fundet, så tryk på **ADD NOW (TILFØJ NU)**.

Hvis der ikke vises et pop op-vindue, så tryk på **+**-knappen, og vælg derefter enheden, du vil forbinde, fra listen over tilgængelige enheder.

Hvis din enhed ikke er på listen over tilgængelige enheder, skal du trykke på **Supported Devices (Understøttede enheder)**, vælge enhedstypen (køleskab) og derefter vælge den specifikke enhedsmodel.

Følg instruktionerne i appen for at konfigurere din enhed. Når konfigurationen er fuldført, vises dit køleskab som et "kort" på skærmen **Devices (Enheder)**.


## Indbygget kontrol

Du kan overvåge og kontrollere dit køleskab i hjemmet og på farten.

- Tryk på køleskabsikonet på SmartThings-dashboardet, eller tryk på ikonet Enheder nederst på dashboardet, og tryk derefter på "kortet" køleskab for at åbne siden Køleskab.
- Kontroller driftsstatus eller de notifikationer, der er relateret til dit køleskab, og rediger evt. funktioner eller indstillinger.

### **BEMÆRK**

Visse af køleskabets indstillinger og funktioner er muligvis ikke tilgængelige til fjernbetjening.

| Kategori                                | Element   | Beskrivelse   |
|---|---|---|
| Overvågning                             | Køleskabstemperatur   | Viser køleskabets aktuelle temperaturindstilling.   |
|   | Frysertemperatur  | Viser fryserens aktuelle temperaturindstilling.   |
| Funktioner                              | Hurtigkøling (kun relevante modeller)   | Du kan slå Hurtigkøling til eller fra og tjekke de aktuelle indstillinger.                |
|   | Hurtigfrysning  | Du kan aktivere eller deaktivere Hurtigfrysning og kontrollere de aktuelle indstillinger. |
|   | Køleskabstemperatur   | Du kan indstille den ønskede temperatur for køleskabet.                                   |
|   | Frysertemperatur  | Du kan indstille den ønskede temperatur for fryseren.                                     |
| Alarmer                                 | Unormalt høj temperatur   | Denne alarm udløses, hvis der er unormalt høje temperaturer i køleskabet eller fryser.    |
|   | Dør åbnet   | Denne alarm udløses, hvis døren er åben i mere end 2 minutter.                            |
| AI Energy Mode (kun relevante modeller) | <p>Du kan slå AI Energy Mode til eller fra under menuen Energy i SmartThings-appen.</p> <p>Du kan kontrollere statussen for AI Energy Mode i SmartThings-appen.</p> <p>På visse modeller vises ikonet  i kontrolpanelet for at indikere at AI Energy Mode er tændt. (kun relevante modeller)</p> <p>Når du slår AI Energy Mode til reduceres energiforbruget, men det kan også reducere køleevnen.</p> |   |

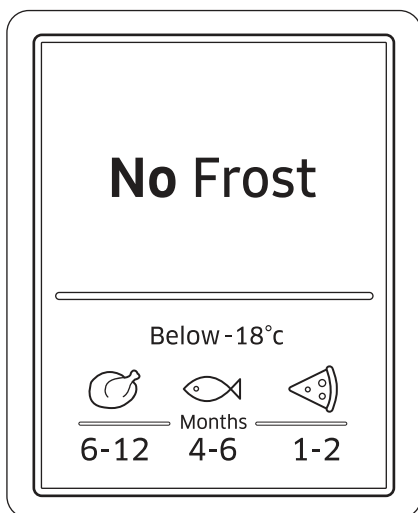
## Oplysninger om sikkerhedsopdateringer

Sikkerhedsopdateringer leveres for at styrke sikkerheden på din enhed og beskytte dine personlige oplysninger. Besøg <https://security.samsungda.com> for at få flere oplysninger om sikkerhedsopdateringer.

\* Webstedet understøtter kun visse sprog.

# Drift

## Opbevaringsoplysninger



Tallene markeret i den nederste del af denne figur indikerer opbevaringsperioden for madvaren umiddelbart over. F.eks. 4-6 måneder for fisk.

### Sådan fryses madvarer

1. Pak madvaren ind i passende, lufttæt indpakningsmateriale.
2. Forsegl indpakningen.
3. Mærk indpakningen med indhold og dato.

### Indpakningsmateriale

- Materialer, der er egnede til indpakning af mad: plasticfilm, polyethylenfilm, stanniol og fryserdåser.
- Materialer, der ikke er egnede til indpakning af mad: indpakningspapir, madpapir, cellofan, skraldeposer og brugte indkøbsposer.

### Forseglingsmaterialer

Elastikker, plasticclips, snor, kuldebestandigt tape og lignende. Poser og polyethylenfilm kan forsegles med en filmforsegler.

---

## Opbevaringsperiode for frosne madvarer

Opbevaringsperioden afviger i forhold til typer af madvarer og opbevaringstemperaturer. Følgende specifikationer er baseret på en temperatur på  $-18^{\circ}\text{C}$  ( $0^{\circ}\text{F}$ ):

- Frisk fjerkræ (hele kyllinger), frisk kød (steaks, stege): op til 12 måneder
- Fisk (mager fisk, kogt fisk), friske rejer, kammuslinger, blæksprutte: op til 6 måneder
- Pizza, pølse: op til 2 måneder.

### BEMÆRK

Du kan finde flere oplysninger på FDA's websted (<http://www.fda.gov/>).

## Optøning

Frosne madvarer kan tøes op på følgende måder:

- Naturligt ved stuetemperatur
- Naturligt i køleskabet
- Ved hjælp af en elektrisk ovn med eller uden varme
- Ved hjælp af en mikroovn

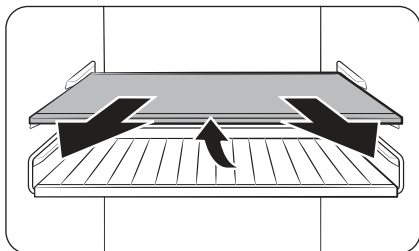
### BEMÆRK

- Optøede madvarer må ikke nedfryses igen. Visse dele af madvarerne fryses muligvis ikke fuldstændigt.
- Opbevar ikke frosne madvarer i længere tid end den maksimale opbevaringsperiode.

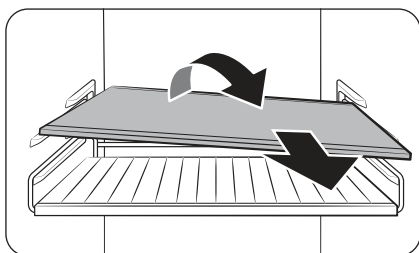
# Vedligeholdelse

## Håndtering og pleje

### Hylde (køleskab/fryser) / Vinhylde (kun relevante modeller)



1. Træk hylde (eller vinhylde) en smule ud. Træk derefter, mens bagsiden løftes, ud.

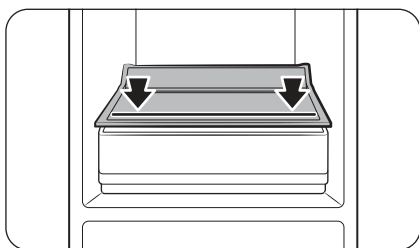


2. Drej hylde (eller vinhylde) diagonalt for at fjerne den.

#### **⚠ FORSIGTIG**

- Hylde skal være indsat korrekt. Vend den ikke på hovedet.
- Glasbeholderen kan ridse glashylders overflade.
- Indsæt ikke en hylde i vinhyldeposition. Dette kan beskadige køleskabet. (kun relevante modeller)

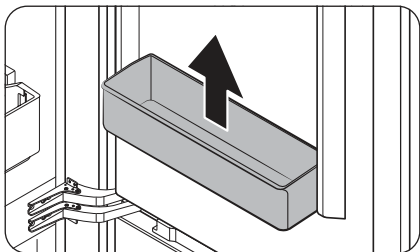
### Grøntsagshylde (kun relevante modeller)



- Hvis din model kun har én skuffe i køleskabet, er der en trykt linje på grønssagshylden lige over den. Når du opbevarer madvarer på grønssagshylden, skal du sørge for at lægge madvarerne inden for den trykte linje.



### Køleskabshylde / Dørbeholder til forskelligt

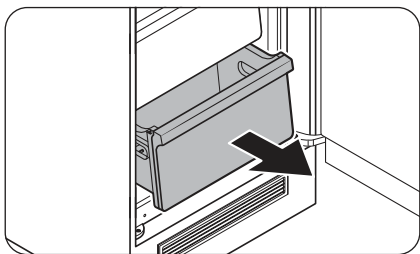


Tag fat om dørkassen med begge hænder, og løft op for at tage den af.

**⚠ FORSIGTIG**

Tøm dørhylderne før de tages ud for at forhindre ulykker

### Køleskabshylde / Fryserskuffe



Løft forsigtigt forsiden af skuffen op, og træk den ud.

# Vedligeholdelse

---

## Rengøring

---

### Indvendigt og udvendigt

#### ADVARSEL

- Brug ikke benzen, fortynder, eddike, flydende blegemiddel, bagepulver, citronsyreholdige midler, saltblandinger eller rengøringsmidler til hjemmet/bilen, f.eks. Clorox™, til rengøring. De kan ødelægge køleskabets overflade og medføre brand.
- Sprøjt ikke vand på køleskabet. Dette kan medføre et elektrisk stød.

Brug regelmæssigt en tør klud til at fjerne alle fremmede stoffer, såsom støv eller vand, fra strømstikket og kontaktpunkter.

1. Træk strømkablet ud af stikkontakten.
2. Brug en fugtig, blød, frugtfri klud eller køkkenrulle til at rengør køleskabet ind- og udvendigt.
3. Når du er færdig, skal du ligeledes bruge en tør klud eller køkkenrulle.
4. Sæt strømkablet i.

## Udskiftning

---

### LED-lamper

Kontakt et lokalt Samsung-servicecenter for at få dem udskiftet.

#### ADVARSEL

- Lamperne er ikke brugerservicerbare. Forsøg ikke selv på at udskifte lampen. Dette kan medføre risiko for elektrisk stød.

### Lampe (lyskilde)

Dette produkt indeholder en lyskilde i energieffektivitetsklasse <G>.

Lampe(r) og/eller styreapparat(er) kan ikke serviceres af brugeren. Kontakt et lokalt Samsung-servicecenter for at udskifte lampe(r) og/eller styreapparat(er).

Der findes detaljerede instruktioner om udskiftning af lampe(r) eller styreapparat(er) til dit produkt på Samsungs websted (<http://www.samsung.com>). Gå til Support > Support-startside, og indtast derefter modelnavnet.

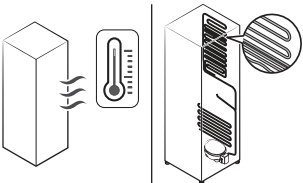
Hvis du ønsker detaljerede instruktioner om afmontering af lampe(r) og/eller styreapparat(er), skal du følge instruktionerne til udskiftning som anført ovenfor.

# Fejlfinding

Gennemgå nedenstående tjekpunkter, før du ringer efter service. Alle serviceopkald vedrørende normale situationer (ikke vedrørende defekter) afkræves brugeren.

## Generelt

### Temperatur

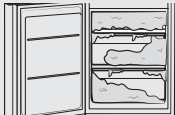
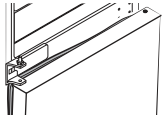
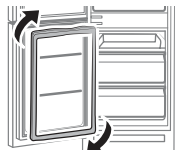
| Symptom   | Mulige årsager   | Løsning   |
|---|--|---|
| Køleskab/fryser virker ikke. Temperaturen i køleskab/fryser er høj. | • Strømkablet er ikke tilsluttet korrekt.                          | • Sæt strømkablet korrekt i.  |
|   | • Temperaturkontrollen er ikke indstillet korrekt.                 | • Indstil temperaturen lavere.  |
|   | • Køleskabet er placeret nær en varmekilde eller i direkte sollys. | • Sørg for, at køleskabet ikke er placeret i direkte sollys eller nær varmekilder.  |
|   | • Der er ikke nok frihøjde mellem køleskabet og siderne/bagsiden.  | • Sørg for, at der er mindst 7 mm fra væggen bagved og i siderne.   |
|   | • Ferietilstand er aktiveret.                                      | • Deaktivér Ferietilstand.  |
| Køleskab/fryser overkøler.  | • Temperaturkontrollen er ikke indstillet korrekt.                 | • Indstil temperaturen højere.  |
| Den indvendige væg er varm.   | • Køleskabet har varmebestandige rør i den indvendige væg.         | <ul style="list-style-type: none"><li>• For at forhindre dannelse af kondens er køleskabet udstyret med varmebestandige rør i de forreste hjørner. Hvis den omgivende temperatur stiger, fungerer udstyret muligvis ikke korrekt. Dette er ikke en systemfejl.</li></ul>  |

# Fejlfinding

## Lugte

| Symptom            | Mulige årsager               | Løsning   |
|--------------------|------------------------------|---|
| Køleskabet lugter. | • Fordærvede madvarer.       | • Rengør køleskabet, og fjern alle fordærvede madvarer.       |
|                    | • Madvarer med stærke lugte. | • Sørg for, at madvarer, der lugter kraftigt, pakkes lufttæt. |

## Frost

| Symptom   | Mulige årsager   | Løsning  |
|---|--|--|
| Frost rundt om ventilatorerne.  | • Madvarer blokerer ventilatorerne.  | • Sørg for, at der ikke er madvarer, der blokerer køleskabets ventilatorer.  |
| Frost på indvendige vægge.  | • Døren er ikke lukket korrekt.  | • Sørg for, at der ikke er madvarer, der blokerer døren. Rengør pakningen i døren.   |
| Frugt eller grøntsager er frosne.   | • Frugt eller grøntsager opbevares i zonen frisk/chef.   | • Zonen frisk/chef er kun for kød/fisk.  |
| Oplagring af frost i fryseren.<br> | • Døren er ikke forsejlet korrekt, fordi tætningen til døren ikke blev vendt, efter at dørene blev vendt.<br> | • Afmonter tætningen i døren, og monter den efter drejning på 180°.  |

## Kondens

| Symptom                                    | Mulige årsager   | Løsning   |
|--|--|---|
| Der dannes kondens på de indvendige vægge. | • Døren står åben, og der trænger fugt ind i køleskabet. | • Fjern fugten, og åbn ikke døren i en længere periode. |
|  | • Madvarer med højt fugtindhold.                         | • Sørg for, at madvarerne pakkes lufttæt.               |

## Alarm

| Symptom         | Mulige årsager  | Løsning   |
|-----------------|---|---|
| En alarm lyder. | • Hvis døren står åben i mere end to minutter, lyder alarmen indtil døren lukkes. | • Tryk på en vilkårlig knap for at slukke for alarmen. Kontakt et lokalt Samsung-servicecenter, hvis alarmen lyder igen efter 12 timer. |

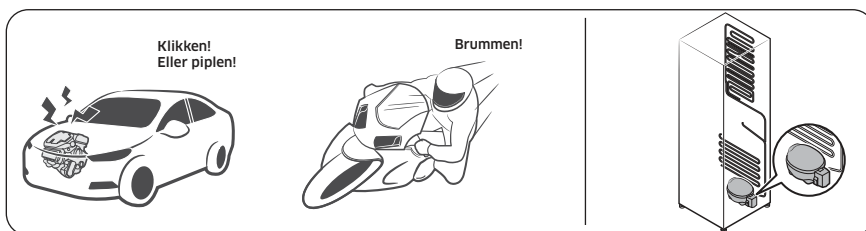
# Fejlfinding

## Hører du unormale lyde fra køleskabet?

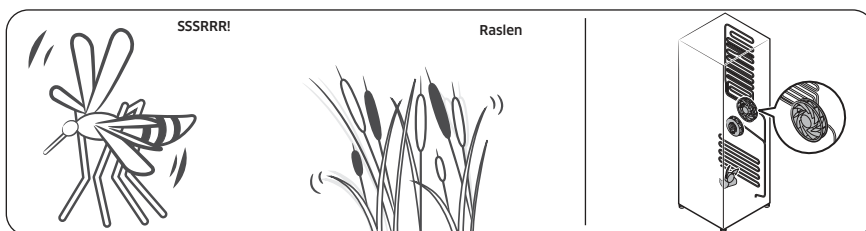
Gennemgå nedenstående tjekpunkter, før du ringer efter service. Brugeren vil blive faktureret for serviceopkald, der relaterer til normale lyde.

### Disse lyde er normale.

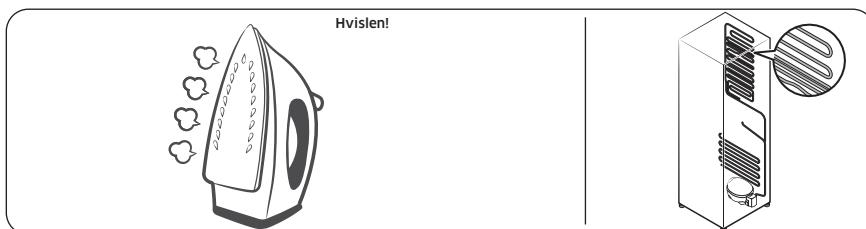
- Ved start eller slut af en handling kan køleskabet lave lyde, som minder om en bilmotor, der startes. Lydene bliver forsvinder efterhånden som handlingen stabiliseres.



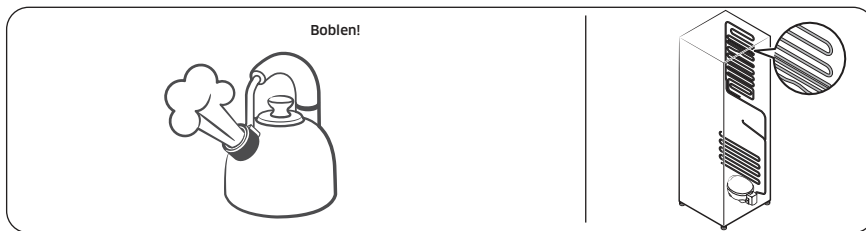
- Når blæseren kører kan disse lyde forekomme. Når køleskabet når den indstillede temperatur, ophører blæserlyden.



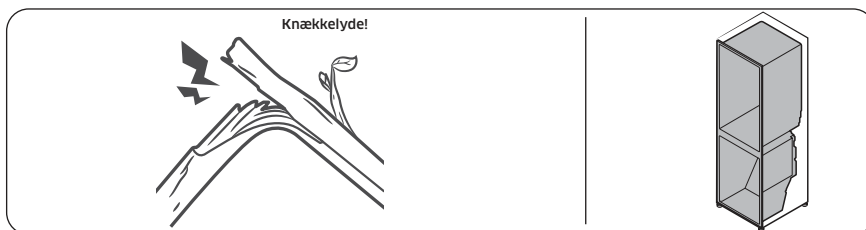
- Under en afrimningscyklus, kan der dryppe vand på afrimningsvarmelegemet, hvilket forårsager sydende lyde.



- Når køleskabet afkøler eller fryser, bevæger kølemiddelgas gennem forseglede rør, hvilket forårsager boblende lyde.




- Når køleskabstemperaturen stiger eller falder, trækker plastikdele sig sammen eller udvides, hvilket forårsager bankende lyde. Disse lyde forekommer under afrimningscyklussen eller når elektriske dele arbejder.



- For isfremstillingsmodeller: Når vandventilen åbner for at fylde isfremstilleren, kan en summende lyd forekomme.
- På grund af trykudligning, når køleskabsdøren åbnes og lukkes, kan susende lyde forekomme.

# Fejlfinding

## SmartThings (kun relevante modeller)

| Symptom  | Handling  |
|--|---|
| Kunne ikke finde "SmartThings" på app-markedet.  | <ul style="list-style-type: none"><li>Den understøttende softwareversion af SmartThings-appen kan ændres i henhold til den understøttende OS-politik fra producenten. Derudover, for SmartThings-appen eller de funktioner, som appen understøtter, kan den nye applikationsopdateringspolitik på den eksisterende OS-version suspenderes på grund af anvendelses- eller sikkerhedsårsager.</li></ul>                           |
| Appen SmartThings fungerer ikke.   | <ul style="list-style-type: none"><li>Appen SmartThings er kun tilgængelig på visse modeller.</li><li>Den gamle Samsung Smart Refrigerator-app kan ikke oprette forbindelse til Samsung Smart Home-modeller.</li></ul>  |
| Appen SmartThings er installeret men ikke forbundet til køleskabet.  | <ul style="list-style-type: none"><li>Du skal først logge på din Samsung-konto for at bruge appen.</li><li>Sørg for, at din router fungerer normalt.</li><li>Hvis Wi-Fi-ikonet på køleskabets display er slukket, indikerer det, at der endnu ikke er etableret forbindelse til netværket. I så fald skal du bruge SmartThings-appen til at oprette forbindelse og registrere køleskabet på husets adgangspunkt (AP).</li></ul> |
| Kunne ikke logge på appen.   | <ul style="list-style-type: none"><li>Du skal først logge på din Samsung-konto for at bruge appen.</li><li>Hvis du ikke har en Samsung-konto, skal du følge appens instruktioner på skærmen for at oprette en.</li></ul>  |
| Der vises en fejlmeddelelse, når jeg forsøger at registrere mit køleskab.                                    | <ul style="list-style-type: none"><li>Easy Connection ophører muligvis med at fungere pga. afstanden fra dit adgangspunkt (AP) eller elektrisk interferens fra det omgivende miljø. Vent et øjeblik, og prøv igen.</li></ul>  |
| Appen SmartThings er forbundet til køleskabet men kører ikke.  | <ul style="list-style-type: none"><li>Afslut og genstart SmartThings-appen, eller afbryd routeren og genopret forbindelsen.</li><li>Afbryd køleskabet, og tilslut det igen efter 1 minut.</li></ul>   |
| Wi-Fi-ikonet blinker.<br> | <ul style="list-style-type: none"><li>Forbind dit køleskab med SmartThings-appen før brug. Når forbindelsen er oprettet, stopper indikatoren med at blinke.<ul style="list-style-type: none"><li>Hvis du ikke får oprettet forbindelse eller ikke ønsker at bruge appen, så tryk og hold knappen <b>Fridge (Køleskab)</b> inde i 10 sekunder. Indikatoren holder op med at blinke.</li></ul></li></ul>                          |



# Tillæg

## Sikkerhedsvejledning

- Du får det mest effektive energiforbrug ved at lade alle de indvendige dele, som f.eks. kurve, skuffer, hylder og isterningebakker, blive på den plads, som producenten anbefaler.

## Installationsvejledning

### Til kølingsapparater med klimaklasser

Afhængig af klimaklassen er dette kølingsapparat beregnet til at blive brugt ved et omgivende temperaturområde, som angivet i følgende tabel.

Klimaklassen kan findes på mærkepladen. Produktet fungerer muligvis ikke korrekt ved temperaturer uden for det angivne område.

Du kan finde klimaklassen på etiketten inde i dit køleskab

### Effektivt temperaturinterval

Køleskabet er designet til at fungere normalt under det temperaturinterval, der er specificeret af dets klasserating.

| Klasse             | Symbol | Omgivende temperaturområde (°C) |             |
|--------------------|--------|---------------------------------|-------------|
|                    |        | IEC 62552 (ISO 15502)           | ISO 8561    |
| Udvidet tempereret | SN     | +10 til +32                     | +10 til +32 |
| Tempereret         | N      | +16 til +32                     | +16 til +32 |
| Subtropisk         | ST     | +16 til +38                     | +18 til +38 |
| Tropisk            | T      | +16 til +43                     | +18 til +43 |

### BEMÆRK

Køleskabets køleevne og strømforbrug kan blive påvirket af den omgivende temperatur, hvor ofte døren åbnes og placeringen af køleskabet. Vi anbefaler justering af temperaturindstillinger efter behov.

# Tillæg

## Temperaturvejledning

### Anbefalet temperatur

Den optimale temperaturindstilling til opbevaring af mad:

- Fridge (Køleskab): 3 °C
- Freezer (Fryser): -19 °C

### BEMÆRK

Den optimale temperaturindstilling for hvert rum afhænger af omgivelsestemperaturen. Ovenstående optimale temperatur er baseret på en omgivende temperatur på 25 °C.

### Hurtigkøling

Hurtigkøling fremskynder køleprocessen ved maksimal ventilatorhastighed. Køleskabet bliver ved at køre ved fuld hastighed i to en halv time og returnerer derefter til den tidligere temperatur.

### Hurtigfrysning

Hurtigfrysning fremskynder frysingsprocessen ved maksimal ventilatorhastighed. Fryseren bliver ved at køre ved fuld hastighed i 50 timer, og returnerer derefter til den tidligere temperatur. Du kan fryse store mængder madvarer ved at aktivere Hurtigfrysning i mindst 20 timer, før du lægger madvarer i fryseren.

### BEMÆRK

Når du bruger denne funktion, stiger køleskabets energiforbrug. Husk at slå den fra, når du ikke har brug for den, og stil fryseren til den oprindelige temperaturindstilling.

### Sådan opbevarer du mad for at få den bedste holdbarhed (kun relevante modeller)

Afdæk fødevarer for at bevare fugt og forhindre dem i at absorbere dufte fra andre fødevarer. En stor grydefuld mad, som f.eks. suppe eller en gryderet skal opdeles i mindre portioner, og puttes i lave beholdere før placering i køleskabet. En stor udkæring af kød eller en hel fugl skal opdeles i mindre stykker eller placeres is lave beholdere før placering i køleskab.

### Placering af fødevarer

|   |  |
|---|--|
| Hylde                                     | Hyldeene skal kunne justeres for at kunne rumme pakker af forskellige størrelser.  |
| Specielle rum<br>(kun relevante modeller) | Forseglet frugt- og grøntskuffe giver et optimalt opbevaringsmiljø for frugt og grøntsager. Grøntsager kræver højere fugtighedsforhold, mens frugt kræver lavere fugtighedsforhold.<br>Frugt- og grøntskuffer er udstyret med kontrolenheder til at styre fugtighedsniveauet. (* Afhængigt af model og tilvalgsmuligheder)<br>En kødskuffe med justerbar temperatur maksimerer opbevaringstiden for kød og oste. |

|                    |   |
|--------------------|---|
| Opbevaring i døren | Opbevar ikke fordærlige fødevarer i døren. Æg skal opbevares i æggebakken på en hylde. Temperaturen i beholderne i døren svinger mere end temperaturen i selve køleskabet. Hold døren lukket så meget som muligt. |
| Fryserrum          | Du kan opbevare frossen mad, lave isterninger og nedfryse frisk mad i fryserummet.  |

### BEMÆRK

Frys kun friske fødevarer i god stand. Hold fødevarer, der skal fryses, borte fra fødevarer, der allerede er frosset. Kom fødevarer i lufttætte beholdere. Så forhindrer du, at de mister smagen eller tørrer ud.

### Opbevaringsoversigt for køleskab og fryser

Hvor længe fødevarer holder sig friske afhænger temperatur og udsættelse for fugt. Da produktionsdatoer ikke er en vejledning til sikker brug af et produkt, kan du se i denne oversigt og følge anbefalingerne.

#### Mælkeprodukter

| Produkt      | Køleskab | Fryser         |
|--------------|----------|----------------|
| Mælk         | 1 uge    | 1 måned        |
| Smør         | 2 uger   | 12 måneder     |
| Is           | -        | 2-3 uger       |
| Naturlig ost | 1 måned  | 4-6 måneder    |
| Smøreost     | 2 uger   | Anbefales ikke |
| Yoghurt      | 1 måned  | -              |

#### Kød

| Produkt                                | Køleskab | Fryser      |
|--|----------|-------------|
| Ferske stege, steaks, koteletter       | 3-4 dage | 2-3 måneder |
| Fersk, hakket kød, kød til gryderetter | 1-2 dage | 3-4 måneder |
| Bacon                                  | 7 dage   | 1 måned     |
| Pølser, rå fra gris, okse, kalkun      | 1-2 dage | 1-2 måneder |

# Tillæg

## Fjerkræ / Æg

| Produkt           | Køleskab | Fryser         |
|-------------------|----------|----------------|
| Fersk fjerkræ     | 2 dage   | 6-8 måneder    |
| Salat med fjerkræ | 1 dag    | -              |
| Æg, friske i skal | 2-4 uger | Anbefales ikke |

## Fisk / Skaldyr

| Produkt                    | Køleskab | Fryser         |
|----------------------------|----------|----------------|
| Frisk fisk                 | 1-2 dage | 3-6 måneder    |
| Tilberedt fisk             | 3-4 dage | 1 måned        |
| Salat med fisk             | 1 dag    | Anbefales ikke |
| Tørrede eller syltede fisk | 3-4 uger | -              |

## Frugt

| Produkt           | Køleskab | Fryser       |
|-------------------|----------|--------------|
| Æbler             | 1 måned  | -            |
| Ferskner          | 2-3 uger | -            |
| Ananas            | 1 uge    | -            |
| Anden frisk frugt | 3-5 dage | 9-12 måneder |

## Grøntsager

| Produkt                                  | Køleskab | Fryser |
|--|----------|--------|
| Asparges                                 | 2-3 dage | -      |
| Broccoli, rosenkål, grønne ærter, svampe | 3-5 dage | -      |
| Kål, blomkål, selleri, agurker, salat    | 1 uge    | -      |
| Gulerødder, roer/rødbeder, radiser       | 2 uger   | -      |

---

## Oplysninger om model og bestilling af reservedele

---

### Modeloplysninger

For at få adgang til oplysninger om energimærkning for dette produkt i European Product Registry for Energy Labelling (EPREL) skal du scanne QR-koden på energimærket.

Du kan finde QR-koden på energimærket i din produktæske.

### Deloplysninger

- Den mindste periode, som reservedele, der er nødvendige for at reparere apparatet, er tilgængelige
  - 7 år termostater, temperatursensorer, trykte kredsløbskort og lyskilder, dørhåndtag, dørhængsler, bakker, kurve (bokse eller skuffer)
  - 10 år dørpakninger
- Den mindste varighed af kølingsapparatet, som tilbydes af producenten, er 24 måneder.
- Relevante oplysninger til bestilling af reservedele direkte eller gennem andre kanaler, leveres af producenten, importøren eller en autoriseret repræsentant
- Du kan finde professionelle reparationsoplysninger på <http://samsung.com/support>.  
Du kan finde brugerservicemanualen på <http://samsung.com/support>.

# Open Source Announcement

---

## Open Source Announcement

---

The software included in this product contains open source software. You may obtain the complete corresponding source code for a period of three years after the last shipment of this product by contacting our support team via <http://opensource.samsung.com> (Please use the "Inquiry" menu.)

It is also possible to obtain the complete corresponding source code in a physical medium such as a CD-ROM; a minimal charge will be required.

The following URL [http://opensource.samsung.com/opensource/COMMON\\_TZ6\\_0/seq/0](http://opensource.samsung.com/opensource/COMMON_TZ6_0/seq/0) leads to the open source license information as related to this product. This offer is valid to anyone in receipt of this information.



# Notater

---

## BEMÆRK

Samsung erklærer hermed, at dette radioudstyr er i overensstemmelse med Direktiv 2014/53/EU og med de relevante lovmæssige krav i Storbritannien.

Den fulde tekst af EU-overensstemmelseserklæringen og overensstemmelseserklæringen for Storbritannien er tilgængelig på følgende internetadresse: Den officielle overensstemmelseserklæring kan findes på <http://www.samsung.com>, gå til Support > Søg produkt support og indtast modelnavnet.

|           | Frekvensområde | Sendestyrke (maks.) |
|-----------|----------------|---------------------|
| Wi-Fi     | 2412-2472 MHz  | 20 dBm              |
| Bluetooth | 2402-2480 MHz  | 20 dBm              |

|             |   |   |
|-------------|---|---|
| FRANCE      | 01 48 63 00 00  | <a href="http://www.samsung.com/fr/support">www.samsung.com/fr/support</a>  |
| GERMANY     | 06196 77 555 77   | <a href="http://www.samsung.com/de/support">www.samsung.com/de/support</a>  |
| LUXEMBURG   | 261 03 710  | <a href="http://www.samsung.com/be_fr/support">www.samsung.com/be_fr/support</a>  |
| NETHERLANDS | 088 90 90 100   | <a href="http://www.samsung.com/nl/support">www.samsung.com/nl/support</a>  |
| BELGIUM     | 02-201-24-18  | <a href="http://www.samsung.com/be/support">www.samsung.com/be/support</a> (Dutch)<br><a href="http://www.samsung.com/be_fr/support">www.samsung.com/be_fr/support</a> (French) |
| NORWAY      | 21629099  | <a href="http://www.samsung.com/no/support">www.samsung.com/no/support</a>  |
| DENMARK     | 707 019 70  | <a href="http://www.samsung.com/dk/support">www.samsung.com/dk/support</a>  |
| FINLAND     | 030-6227 515  | <a href="http://www.samsung.com/fi/support">www.samsung.com/fi/support</a>  |
| SWEDEN      | 0771-400 300  | <a href="http://www.samsung.com/se/support">www.samsung.com/se/support</a>  |
| CYPRUS      | 8009 4000 only from landline, toll free   | <a href="http://www.samsung.com/gr/support">www.samsung.com/gr/support</a>  |
| GREECE      | 80111-SAMSUNG (80111 726 7864) only from land line<br>(+30) 210 6897691 from mobile and land line |   |
| ITALIA      | 800-SAMSUNG (800.7267864)   | <a href="http://www.samsung.com/it/support">www.samsung.com/it/support</a>  |
| PORTUGAL    | 210 608 098<br>Chamada para a rede fixa nacional<br>Dias úteis das 9h às 20h                      | <a href="http://www.samsung.com/pt/support">www.samsung.com/pt/support</a>  |
| SPAIN       | 91 175 00 15  | <a href="http://www.samsung.com/es/support">www.samsung.com/es/support</a>  |





# Kjøleskap

---

## Brukerhåndbok

---

Innebygd apparat

**SAMSUNG**

# Innhold

---

|  |           |
|--|-----------|
| <b>Sikkerhetsinformasjon</b>                         | <b>3</b>  |
| Det du trenger å vite om sikkerhetsinstruksjoner     | 3         |
| Viktige sikkerhetssymboler og forholdsregler:        | 5         |
| Viktige sikkerhetsforholdsregler                     | 6         |
| Alvorlige varseltegn for transport og område         | 9         |
| Kritiske installasjonsadvarsler                      | 10        |
| Forsiktighetsregler ved installasjon                 | 13        |
| Kritiske bruksadvarsler                              | 14        |
| Forsiktighetsregler ved bruk                         | 18        |
| Forsiktighetsregler ved rengjøring                   | 21        |
| Kritiske avhendingsadvarsler                         | 22        |
| Ekstra tips til riktig bruk                          | 23        |
| Instruksjoner om WEEE                                | 25        |
| <b>Installasjon</b>                                  | <b>26</b> |
| Kort om kjøleskapet                                  | 26        |
| Trinnvis installasjon                                | 27        |
| <b>Drift</b>   | <b>38</b> |
| Hovedpanel   | 38        |
| SmartThings (bare gjeldende modeller)                | 43        |
| Informasjon om oppbevaring                           | 46        |
| <b>Vedlikehold</b>                                   | <b>48</b> |
| Håndtak og vedlikehold                               | 48        |
| Rengjøring   | 50        |
| Utskiftning  | 50        |
| <b>Feilsøking</b>                                    | <b>51</b> |
| Generelt   | 51        |
| Kommer det unormale lyder fra kjøleskapet?           | 54        |
| SmartThings (bare gjeldende modeller)                | 56        |
| <b>Vedlegg</b>                                       | <b>57</b> |
| Sikkerhetsinstruks                                   | 57        |
| Installeringsinstruks                                | 57        |
| Instruksjoner om temperatur                          | 58        |
| Informasjon om modellen og bestilling av ekstradeler | 61        |
| <b>Open Source Announcement</b>                      | <b>62</b> |
| Open Source Announcement                             | 62        |

# Sikkerhetsinformasjon

---

Før du bruker det nye kjøleskapet fra Samsung, leser du denne håndboken nøye slik at du vet hvordan du bruker funksjonene som apparatet tilbyr på en trygg og effektiv måte.

## Det du trenger å vite om sikkerhetsinstruksjoner

---

- Advarsler og viktige sikkerhetsinstruksjoner i denne håndboken dekker ikke alle mulige forhold og situasjoner som kan oppstå.  
Det er ditt ansvar å bruke sunn fornuft og utvise forsiktighet når du installerer, vedlikeholder og bruker apparatet.
- På grunn av at følgende bruksanvisninger dekker forskjellige modeller, kan egenskapene til kjøleskapet ditt variere noe fra de som beskrives i denne håndboken, og ikke alle varseltegn er aktuelle. Hvis du har spørsmål eller bekymringer, kontakter du ditt nærmeste servicesenter eller finner hjelp og informasjon på Internett på [www.samsung.com](http://www.samsung.com).
- R-600a eller R-134a brukes som kjølevæske. Kontroller kompressoretiketten på baksiden av apparatet eller etiketten på innsiden av kjøleskapet for å se hvilken kjølevæske som brukes i ditt apparat. Når dette produktet inneholder brannfarlig gass (kjølevæske R-600a), bør du kontakte de lokale myndigheter for å forhøre deg om trygg avhending av dette produktet.
- For å unngå at det skapes en brennbar gassblanding hvis det oppstår en lekkasje i kjølevæsekretsen, må man ta hensyn til hvor mye kjølevæske som brukes før man avgjør størrelsen på det rommet som apparatet skal plasseres i.

## Sikkerhetsinformasjon

---

- Det er farlig for alle andre enn autorisert servicepersonell å utføre service på dette apparatet.
- Start aldri et apparat som viser tegn på skade. Kontakt forhandleren hvis du er i tvil. Rommet må være 1 m<sup>3</sup> i størrelse for hvert 8 g av R-600a kjølemiddel i apparatet. Mengden kjølevæske i ditt bestemte apparat vises på identifikasjonsplaten inne i apparatet.
- Kjølevæske som spruter ut fra rørene, kan antenne eller føre til øyeskader. Når kjølevæske lekker fra røret må du unngå åpne flammer, og flytte brennbare enheter vekk fra produktet. Luft rommet øyeblikkelig.
  - Hvis ikke, kan det føre til brann eller eksplosjon.
- For å unngå at matvarer blir forurenset, skal følgende instruksjoner overholdes:
  - Om døren står åpen over lengre tid, kan dette forårsake en betraktelig temperaturøkning i kamrene til apparatet.
  - Rengjør regelmessig overflater som kommer i kontakt med matvarer og tilgjengelige dreneringssystemer.
  - Rengjør vanntanker hvis de ikke har vært i bruk over 48 timer, spyl ut vannsystemet som er tilkoblet en vannforsyning hvis det ikke har trukket ut vann i de siste 5 dagene.
  - Oppbevar rått kjøtt og rå fisk i egnede beholdere i kjøleskapet slik at de ikke kommer i kontakt med eller drypper på andre matvarer.
  - Kamre for frossen mat markert med to stjerner er egnet for oppbevaring av forhåndsnedfrosne matvarer, oppbevaring eller laging av iskrem og for å lage isbiter.

- 
- Kamre markert med én, to eller tre stjerner er ikke egnet for nedfrysning av ferske matvarer.
  - Hvis kjøleskapet står tomt over lengre tid, slår du det av, tiner, rengjør og tørker det, la døren stå åpen for å unngå muggdannelse i apparatet.

## Viktige sikkerhetssymboler og forholdsregler:

---

Følg alle sikkerhetsinstruksjoner i denne håndboken. Denne håndboken bruker følgende sikkerhetssymboler.

### **ADVARSEL**

Farer eller utrygg praksis som kan føre til **alvorlige personskader, materielle skader og/eller dødsfall**.

### **FORSIKTIG**

Farer eller utrygg praksis som kan føre til **alvorlige personskader og/eller materielle skader**.

### **MERK**

Nyttig informasjon som hjelper brukerne med å forstå eller dra nytte av kjøleskapet.

Disse varseltegnene er her for å forhindre skader på deg og andre.

Følg dem nøye.

Etter at du har lest denne delen, bør du oppbevare den på et trygt sted for fremtidig bruk.

# Sikkerhetsinformasjon

---

## Viktige sikkerhetsforholdsregler

---



ADVARSEL: risiko for brann / brennbare materialer

### **ADVARSEL**

- Når apparatet settes på plass, skal du påse at strømledningen ikke er fastklemt eller ødelagt.
- Ikke plasser skjøteledninger eller grenuttak bak apparatet.
- Sørg for at ventilasjonsåpningene i apparatets kabinett eller den innebygde strukturen er plassert slik at ingenting hindrer åpningen.
- Ikke bruk mekaniske enheter eller andre metoder for å fremskynde avisingsprosessen med mindre det anbefales av produsenten.
- Ikke skad kjølevæskekreten.
- Ikke bruk elektriske apparater inni matoppbevaringsrommene i apparatet med mindre de er av typen som anbefales av produsenten.
  
- Dette apparatet er ikke beregnet for å brukes av personer (inkludert barn) med svekkede fysiske, sensoriske eller mentale evner, eller av personer som mangler relevant erfaring og kunnskap, med mindre de er under oppsyn eller får opplæring av en person som er ansvarlig for deres sikkerhet.

- 
- Dette apparatet kan brukes av barn fra 8 års alder og av personer med fysiske, sensoriske eller psykiske funksjonshemminger eller manglende erfaring og kunnskaper, så lenge de har fått instruksjoner i hvordan apparatet kan brukes på en sikker måte og forstår hvilke risikoer som er forbundet med bruk av apparatet. Barn må ikke leke med apparatet. Rengjøring og vedlikehold må ikke utføres av barn uten tilsyn. Barn mellom 3 til 8 år kan ta tillates å ta varer inn og ut av kjøleskap.
  - Hvis ledningen er skadet, må den skiftes ut av produsenten eller en servicetekniker eller andre kvalifiserte personer for å unngå farer.
  - Vegguttaket må være lett tilgjengelig slik at apparatet raskt kan frakobles strømforsyningen ved nødstilfeller.
    - Det må ikke være plassert bak apparatet.
  - Ikke oppbevar eksplosive væsker som spraybokser med brannfarlig materiale i dette apparatet.
  - Hvis produktet er utstyrt med en LED-lampe, må du ikke fjerne lampedekslene og LED-lampene på egenhånd.
    - Kontakt et Samsung servicesenter.
    - Bruk bare LED-lamper som tilbys av produsenten eller servicerepresentanten.
  - Hvis den innvendige eller utvendige LED-lampen har slukket, kontakter du ditt nærmeste servicesenter.
  - Mest effektiv bruk av energien får du ved å la alle indre deler, for eksempel kurver, skuffer og hyller, være i samme posisjon som fra produsenten.
  - For å oppnå best mulig energieffektivitet fra produktet må du la alle hyller, skuffer og kurver stå i originalposisjonene.

# Sikkerhetsinformasjon

---

## Slik reduserer du energiforbruket

- Installer apparatet i et kaldt, tørt rom med tilstrekkelig ventilasjon.
- Sørg for at det ikke utsettes for direkte sollys, og plasser det aldri i nærheten av en direkte varmekilde (for eksempel en radiator).
  - Det anbefales å unngå å blokkere ventiler eller rister for bedre energieffektivitet.
  - La varm mat kjøle seg ned før du plasserer den i apparatet.
  - Legg frosne matvarer i kjøleskapet for å tines. Da kan du utnytte den lave temperaturen til de frosne produktene til å kjøle ned maten i kjøleskapet.
  - Ikke la døren til apparatet stå åpen for lenge når du legger inn eller tar ut matvarer.
  - Jo kortere tid døren er åpen, jo mindre is danner det seg i fryseren.
  - Rengjør baksiden av kjøleskapet regelmessig. Støv øker energiforbruket.
  - Ikke still temperaturen kaldere enn nødvendig.
  - Sørg for tilstrekkelig luftutslipp ved kjøleskapssokkelen og på baksiden av kjøleskapet. Ikke dekk til lufteåpningene.
  - La det være litt plass på høyre side, venstre side, baksiden og over apparatet under installasjon. Dette vil være med på å redusere strømforbruket og holde strømregningene nede.



- 
- Velg en hulromsdybde på 560 mm. En mindre hulromsdybde vil forårsake et høyere energiforbruk.

**Dette apparatet er tiltenkt brukt i husholdninger og i andre lignende bruksområder, for eksempel**

- kjøkkenområder for ansatte i butikker, på kontorer og i andre arbeidsmiljøer,
- våningshus og av kunder på hoteller, moteller og andre miljøer som brukes til boligformål,
- pensjonater og lignende,
- catering og andre bruksområder som ikke kommer inn under varehandel.

## **Alvorlige varseltegn for transport og område**

---

### **⚠ ADVARSEL**

- Ved transport og installasjon av apparatet må du være forsiktig slik at ingen deler av kjølevæskekreten blir skadet.
  - Kjølevæske som lekker fra røret, kan antenne eller føre til øyeskader. Hvis du oppdager en lekkasje, må du unngå åpne flammer og potensielle antennelseskilder og lufte rommet apparatet står i, i flere minutter.
  - Dette apparatet inneholder en liten mengde isobutankjølevæske (R-600a) som er en naturgass som er miljøvennlig, men også brennbar. Ved transport og installasjon av apparatet må du være forsiktig slik at ingen deler av kjølevæskekreten blir skadet.

# Sikkerhetsinformasjon

---

## Kritiske installasjonsadvarsler

---

### **ADVARSEL**

- Ikke installer kjøleskapet i et fuktig miljø eller plasser det der det kan komme i kontakt med vann.
  - Svekket isolasjon av elektriske deler kan føre til elektrisk støt eller brann.
- Ikke plasser dette kjøleskapet i direkte sollys eller utsett det for varme fra komfyrer, varmeovner eller andre apparater.
- Ikke koble flere apparater til samme strømuttak. Kjøleskapet skal alltid være koblet til et eget strømuttak med riktig spenningsverdi i henhold til merkeskiltet på kjøleskapet.
  - Dette gir best mulig ytelse og hindrer også overbelastning av husets strømnnett, noe som kan føre til brannfare som følge av overopphetede kabler.
- Hvis vegguttaket er løst, må du ikke sette inn strømkontakten.
  - Dette medfører risiko for elektrisk støt eller brann.
- Ikke bruk en strømledning med sprekker eller slitasjeskader på ledningen eller i endene.
- Ikke bøy strømledningen for mye eller plasser tunge gjenstander på den.
- Ikke trekk i eller bøy strømledningen for hardt.
- Ikke vri eller knytt sammen strømledningen.
- Ikke hekt strømledningen over en metallgjenstand, ikke plasser en tung gjenstand oppå strømledningen, ikke legg strømledningen inn mellom to gjenstander og ikke dytt strømledningen inn i området bak apparatet.

- 
- Når du flytter kjøleskapet, må du passe på at det ikke velter eller at du skader strømledningen.
    - Dette kan føre til elektrisk støt eller brann.
  - Aldri koble fra kjøleskapet ved å dra i strømledningen. Ta alltid godt tak i støpselet og dra rett ut av strømuttaket.
    - Skader på ledningen kan føre til kortslutning, brann og/eller elektrisk støt.
  - Ikke bruk spraybokser i nærheten av kjøleskapet.
    - Spraybokser i nærheten av et kjøleskap kan føre til eksplosjon eller brann.
  - Ikke installer apparatet i nærheten av en varmeovn eller brannfarlig materiale.
  - Ikke installer dette apparatet på et sted der det kan lekke gass.
    - Dette kan føre til elektrisk støt eller brann.
  - Dette kjøleskapet må plasseres og installeres riktig i henhold til instruksjonene i denne håndboken før du bruker det.
  - Koble strømkontakten til i riktig posisjon med ledningen hengende ned.
    - Hvis du kobler til strømledningen opp-ned, kan kabelen bli avskåret og føre til brann eller elektrisk støt.
  - Kontroller at strømkontakten ikke klemmes eller skades på baksiden på kjøleskapet.
  - Hold emballasjematerialene utenfor barns rekkevidde.
    - Det er risiko for å dø av kvelning hvis et barn tar emballasjematerialene over hodet.

## Sikkerhetsinformasjon

---

- Ikke installer dette apparatet i fuktige, oljete eller støvete omgivelser, på steder som er utsatt for direkte sollys og vann (regndråper).
  - Svekket isolasjon av elektriske deler kan føre til elektrisk støt eller brann.
- Hvis det er støv eller vann i kjøleskapet, drar du ut strømkontakten og kontakter ditt Samsung Electronics-servicesenter.
  - Ellers kan det oppstå brann.
- Ikke stå på apparatet eller plasser ting (som klesvask, levende lys, tente sigaretter, tallerkener, kjemikalier, metallobjekter osv.) på apparatet.
  - Dette kan føre til elektrisk støt, brann, problemer med produktet eller personskader.
- Du må fjerne all beskyttende plastfolie før du kobler til produktet første gang.
- Følg med på barn og tilse at de ikke leker med karabinene som brukes til å justere døren eller vannslangeklemmene.
  - Det er risiko for å dø av kvelning hvis et barn svelger en karabin eller vannslangeklemme. Hold karabinene og vannslangeklemmene utenfor barns rekkevidde.
- Kjøleskapet må være skikkelig jordet.
  - Sørg alltid for at du har jordet kjøleskapet før du forsøker å undersøke eller reparere deler av apparatet. Strømlekkasjer kan føre til alvorlig elektrisk støt.
- Bruk aldri gassrør, telefonlinjer eller andre potensielle lyntiltrekkere som jording.
  - Du må jorde kjøleskapet for å forhindre strømlekkasjer eller elektrisk støt som følge av strømlekkasje fra kjøleskapet.

- 
- Slike hendelser kan føre til elektrisk støt, brann, eksplosjon eller problemer med produktet.
  - Sett strømkontakten ordentlig inn i støpselet på veggen. Ikke bruk skadde strømstøpsler, skadde strømledninger eller løse stikkontakter.
    - Dette kan føre til elektrisk støt eller brann.
  - Sikringen på kjøleskapet må byttes ut av en kvalifisert tekniker eller et serviceselskap.
    - Hvis ikke, kan det føre til elektrisk støt eller personskade.
  - Dette apparatet er en innebygd modell som krever tilrettelagt ventilasjon. For å unngå eksplosjonsfare skal du påse at rommet er riktig ventilt.
  - Sikringen på kjøleskapet må byttes ut av en kvalifisert tekniker eller et serviceselskap. Hvis ikke, kan det føre til elektrisk støt eller personskade.

## **Forsiktighetsregler ved installasjon**

---

### **⚠ FORSIKTIG**

- La det være tilstrekkelig plass rundt kjøleskapet og installer det på et flatt underlag.
  - Hvis kjøleskapet ikke står helt rett, kan kjøleeffektiviteten og holdbarheten bli redusert.
- La apparatet stå i ro i 2-3 timer før du fyller det med mat etter at det er montert og slått på.

## Sikkerhetsinformasjon

---

- Vi anbefaler at du får en kvalifisert tekniker eller et serviceselskap til å installere kjøleskapet.
  - Hvis ikke, kan det føre til elektrisk støt, brann, eksplosjon, problemer med produktet eller personskader.

## Kritiske bruksadvarsler

---

### **ADVARSEL**

- Ikke sett inn strømkontakten i et strømuttak med våte hender.
  - Dette kan føre til elektrisk støt.
- Ikke oppbevar gjenstander oppå apparatet.
  - Når du åpner eller lukker døren, kan gjenstandene falle ned og føre til personskade og/eller materiell skade.
- Ikke stikk inn hender, føtter eller metallgjenstander (f.eks. spisepinner mv.) ned i bunnen av eller inn på baksiden av kjøleskapet.
  - Dette kan føre til elektrisk støt eller personskade.
  - Skarpe kanter kan medføre personskade.
- Ikke berør veggene inne i fryseren eller produktene som ligger i fryseren, med våte hender.
  - Det kan føre til frostskafer.
- Ikke plasser beholdere fylt med vann oppå kjøleskapet.
  - Vannsøl medfører risiko for elektrisk støt og brann.
- Ikke oppbevar flyktige eller brannfarlige gjenstander eller gasser (benzen, tynner, propangass, alkohol, eter, LP-gass og andre lignende produkter osv.) i kjøleskapet.
  - Dette kjøleskapet skal bare brukes til å oppbevare mat.

- 
- Dette kan føre til brann eller eksplosjon.
  - Barn må ha tilsyn for å sikre at de ikke leker med apparatet.
    - Hold fingrene unna steder der de kan komme i klem. Klaringer mellom dørene og skapet er nødvendigvis små. Vær forsiktig når du åpner dørene med barn i nærheten.
  - Ikke plasser fingre eller barns fingre mellom dørene.
    - Hold fingrene unna døråpningene på venstre og høyre side. Vær forsiktig når du åpner dørene hvis du har fingrene imellom.
  - Ikke la barn henge i døren eller dørlommene. Det kan føre til alvorlig skade.
  - Ikke la barn komme seg inn i kjøleskapet. De kan bli sittende fast.
  - Ikke stikk hendene inn i det nederste området under apparatet.
    - Skarpe kanter kan medføre personskade.
  - Ikke oppbevar legemidler, vitenskapelig materiale eller temperaturfølsomme produkter i kjøleskapet.
    - Produkter som krever streng temperaturkontroll, må ikke oppbevares i kjøleskapet.
  - Hvis du lukter legemiddel eller røyk, trekk ut strømkontakten umiddelbart og ta kontakt med Samsung Electronics-servicesenter.
  - Hvis det er støv eller vann i kjøleskapet, drar du ut strømkontakten og kontakter ditt Samsung Electronics-servicesenter.
    - Ellers kan det oppstå brann.

## Sikkerhetsinformasjon

---

- Ikke la barn tråkke på en skuff.
  - Skuffen kan bli ødelagt og få dem til å skli.
- Ikke la dørene til kjøleskapet være åpne uten tilsyn, og ikke la barn gå inn i kjøleskapet.
- Ikke tillat at spedbarn eller barn kommer inn i skuffen.
  - Det kan føre til dødsfall på grunn av kvelning eller personskader.
- Ikke overfyll kjøleskapet med mat.
  - Når du åpner døren, kan en gjenstand falle ned og føre til personskade eller materiell skade.
- Ikke spray flyktige materialer som insektmidler på apparatets overflate.
  - I tillegg til at det er skadelig for mennesker, kan det også føre til elektrisk støt, brann eller problemer med produktet.
- Ikke bruk eller plasser gjenstander som er følsomme for temperaturendringer, som brannfarlige sprayer, brannfarlige gjenstander, tørris, medisin eller kjemikalier, i nærheten av kjøleskapet.
- Ikke bruk en hårføner til å tørke innsiden av kjøleskapet. Ikke plasser et levende lys i kjøleskapet for å fjerne vond lukt.
  - Dette kan føre til elektrisk støt eller brann.
- Ikke stå på apparatet eller plasser ting (som klesvask, levende lys, tente sigaretter, tallerkener, kjemikalier, metallobjekter osv.) på apparatet. Dette kan føre til elektrisk støt, brann, problemer med produktet eller personskader. Ikke plasser beholdere fylt med vann oppå apparatet.
  - Vannsøl medfører risiko for elektrisk støt og brann.



- 
- Du må aldri stirre direkte på UV-lysdioder over en lengre tidsperiode.
    - Dette kan føre til belastning for øynene på grunn av ultrafiolette stråler.
  - Ikke sett hyllen inn opp-ned. Hyllestopperen fungerer da kanskje ikke.
    - Det kan forårsake en personskade hvis glasshyllen faller ned.
  - Hvis du oppdager en gasslekkasje, må du unngå åpne flammer og potensielle antenningskilder og lufte rommet apparatet står i, i flere minutter.
    - Ikke rør apparatet eller strømledningen.
    - Ikke bruk en kjøkkenvifte.
    - En gnist kan resultere i eksplosjon eller brann.
  - Flasker bør oppbevares tett inntil hverandre, slik at de ikke faller ut.
  - Dette produktet er bare tiltenkt oppbevaring av mat til husholdningsbruk.
  - Ikke forsøk å reparere, demontere eller modifiser kjøleskapet på egen hånd.
    - Uautoriserte modifiseringer kan føre til sikkerhetsproblemer. For å reversere en uautorisert modifisering, vil vi belaste hele kostnaden for deler og arbeidskraft.
  - Ikke bruk andre sikringer (f.eks. av kobber, ståltråd osv.) enn en standardsikring.
  - Hvis kjøleskapet ditt må repareres eller reinstallereres, kontakter du ditt nærmeste servicesenter.
    - Hvis ikke, kan det føre til elektrisk støt, brann, problemer med produktet eller personskader.

## Sikkerhetsinformasjon

---

- Hvis det kommer en svidd lukt eller røyk fra kjøleskapet, kobler du øyeblikkelig kjøleskapet fra strømmen og kontakter nærmeste Samsung Electronics-servicesenter.
  - Hvis ikke, kan det føre til elektrisk støt eller brannskade.
- Trekk strømkontakten ut av stikkontakten før du skifter ut de innvendige lampene i kjøleskapet
  - Ellers er det fare for elektrisk støt.
- Hvis du har problemer med å skifte en lampe som ikke er LED, kontakter du et Samsung servicesenter.
- Sett strømkontakten ordentlig inn i støpselet på veggen.
- Ikke bruk skadde strømstøpsler, skadde strømledninger eller løse stikkontakter.
  - Dette kan føre til elektrisk støt eller brann.

## Forsiktighetsregler ved bruk

---

### **FORSIKTIG**

- Opptint mat må ikke fryses på nytt.
  - Frossen eller tint mat utvikler skadelige bakterier raskere enn fersk mat.
  - Andre gang mat tines, brytes enda flere celler ned, lekker ut fuktighet og endrer produktets integritet.
- Ikke tin kjøtt i romtemperatur.
  - Sikkerheten avhenger av om de rå produktene har blitt riktig håndtert.
- Ikke plassere glass eller flasker eller kullsyreholdige drikker i fryseren.
  - Beholderen kan fryse og brekke, noe som kan resultere i skade.

- 
- Ikke bruk andre ismaskiner enn den som følger med kjøleskapet.
  - Før at produktet skal ha best mulig ytelse må du
    - Ikke plassere mat for nærme ventilasjonsåpningene bakerst i kjøleskapet, ettersom det kan hindre luftsirkulasjonen inni kjøleskapet.
    - Pakke matvarene skikkelig inn eller plassere dem i lufttette beholdere før du legger dem i kjøleskapet.
    - Følg med på maksimale oppbevaringstider og utløpsdatoer for frosne matvarer.
    - Du trenger ikke å koble kjøleskapet fra strømforsyningen hvis du skal være borte i under tre uker. Men hvis du skal være borte i mer enn tre uker, fjerner du all maten og isen i ismaskinholderen, kobler fra kjøleskapet, stenger vannventilen, tørker av overflødig fuktighet på innsiden av veggene og lar dørene stå åpne for å hindre lukt og mugg.
  - Servicegaranti og modifikasjon.
    - Endringer eller modifikasjoner som utføres av tredjeparter på dette ferdigstilte apparatet, dekkes ikke av Samsungs garantiservice, og Samsung er heller ikke ansvarlig for sikkerhetsproblemer som følger av modifikasjoner som er utført av en tredjepart.
  - Ikke blokker luftehullene inni kjøleskapet.
    - Hvis luftehullene blokkeres, særlig hvis de blokkeres av en plastpose, kan kjøleskapet bli for sterkt nedkjølt.
  - Tørk av overflødig fuktighet fra innsiden og la dørene stå åpne.
    - Ellers kan det utvikle seg lukt og mugg.

## Sikkerhetsinformasjon

---

- Hvis kjøleskapet er koblet fra strømforsyningen, må du vente minst fem minutter før du kobler det til igjen.
- Når det var vann som gjorde kjøleskapet vått, må du trekke ut strømkontakten og ta kontakt med Samsung Electronics-servicesenter.
- Ikke slå på eller bruk kraft på glassoverflater.
  - Knust glass kan føre til personskader og/eller materielle skader.
- Pass på så ikke fingrene setter seg fast.
- Hvis det kommer for mye vann i kjøleskapet, kontakter du nærmeste servicesenter.
  - Det medfører risiko for elektrisk støt eller brann.
- Ikke oppbevar vegetabilsk olje i dørhyllene til kjøleskapet. Oljen kan sette seg, noe som gir den dårlig smak og gjøre den vanskelig å bruke. I tillegg kan beholderen lekke og oljen som lekkes ut kan forårsake sprekker i dørhyllen. Etter at du åpner en oljebeholder, er det best å oppbevare den på et kjølig og mørkt sted, slik som i et skap eller spiskammers.
  - Eksempler på vegetabilsk olje: olivenolje, maisolje, druekjerneolje osv.

---

## Forsiktighetsregler ved rengjøring

---

### **FORSIKTIG**

- Ikke sprut vann direkte på innsiden eller utsiden av kjøleskapet.
  - Det er risiko for brann eller elektrisk støt.
- Ikke bruk en hårføner til å tørke innsiden av kjøleskapet.
- Ikke plasser et levende lys i kjøleskapet for å fjerne vond lukt.
  - Dette kan føre til elektrisk støt eller brann.
- Ikke spray rengjøringsmidler direkte på displayet.
  - Trykte bokstaver på displayet kan løsne.
- Hvis fremmedlegemer, for eksempel vann, kommer inn i apparatet, må du ta ut strømkontakten og kontakte ditt nærmeste servicesenter.
  - Hvis ikke, kan det føre til elektrisk støt eller brann.
- Bruk en ren, tørr klut til å fjerne fremmedlegemer eller støv fra strømkontakten. Ikke bruk en våt eller fuktig klut når du rengjør kontakten.
  - Ellers er det risiko for brann eller elektrisk støt.
- Ikke rengjør apparatet ved å spraye vann direkte på det.
- Ikke bruk benzen, tynner, Clorox eller klorid til rengjøring.
  - Disse kan skade apparatets overflate eller føre til brann.
- Trekk ut strømkontakten fra stikkontakten før du rengjør eller utfører vedlikehold på apparatet.
  - Hvis ikke, kan det føre til elektrisk støt eller brann.
- Bruk en ren svamp eller myk klut og mild såpe i varmt vann for å rengjøre kjøleskapet.

# Sikkerhetsinformasjon

---

- Ikke bruk slipende eller kraftige rengjøringsmidler slik som vindusspray, skuremidler, brennbare væsker, saltsyre, rengjøringsvoks, konsentrerte rengjøringsmidler, blekemidler eller rengjøringsmidler som inneholder petroleumsprodukter på eksterne overflater (dører og kabinettet), plastdelene, dør- og innvendig foringer og pakninger.
  - Disse kan ripe eller skade materialet.
- Ikke rengjør glasshyller eller deksler med varmt vann når de er kalde. Glasshyller kan ødelegges hvis de utsettes for plutselige temperaturendringer eller støt, slik som dunk eller fall.

## Kritiske avhendingsadvarsler

---

### **ADVARSEL**

- Avhend emballasjematerialet til dette produktet på en miljøvennlig måte.
- Sørg for at ingen av rørene på baksiden av apparatet er skadet før avhending.
- Når du avhender dette kjøleskapet, må du fjerne døren, dørforseglingen og dørhengslene slik at små barn eller dyr ikke kan bli fanget inni det. Barn må ha tilsyn for å sikre at de ikke leker med apparatet. Hvis barnet blir sittende fast inni, kan det bli skadet eller kvalt til døde.
  - Hvis barnet blir sittende fast inni, kan det bli skadet og kvalt til døde.

- 
- Syklopentan brukes i isolasjonen. Gassene i isolasjonsmaterialet krever en spesiell avhendingsprosedyre. Kontakt de lokale myndighetene angående miljømessig, trygg avhending av dette produktet.
  - Oppbevar alt emballasjemateriale utenfor barns rekkevidde, ettersom emballasje kan være farlig for barn.
    - Hvis et barn tar en pose over hodet, kan det kveles.

### **Ekstra tips til riktig bruk**

---

- I tilfelle strømbrudd ringer du ditt lokale strømselskap og spør hvor lenge det kommer til å vare.
  - De fleste strømbrudd som korrigeres innen en time eller to, vil ikke påvirke temperaturen i kjøleskapet. Men du bør unngå å åpne døren ofte mens strømmen er borte.
  - Dersom strømbruddet varer i mer enn 24 timer, bør du ta ut og kaste all frossen mat.
- Kjøleskapet vil kanskje ikke fungere som det skal (frossent innhold kan tine eller temperaturen kan bli for varm i frysedelen) hvis det plasseres på et sted over lengre tid hvor temperaturen i luften konstant er lavere enn temperaturene som apparatet er utformet for.
- I noen tilfeller med en bestemt type mat, vil det ha en dårlig effekt på maten å oppbevare den i kjøleskapet.
- Apparatet er frostfritt, noe som betyr at du ikke trenger å avise det manuelt. Dette utføres automatisk.

## Sikkerhetsinformasjon

---

- Temperaturstigningen under avising samsvarer med ISO-kravene. Men hvis du vil unngå at frosne matvarer oppvarmes for mye når apparatet avises, kan du pakke dem inn i flere lag med avisepapir.
- Ikke frys mat som har vært fryst en gang før, og som nå er tint.
- Temperaturen til en del/deler med to stjerner eller rom som har tostjernerssymbolet (❄️❄️) er noe høyere enn andre fryserdeler.  
Hvilke(n) del/deler eller rom som er merket med to stjerner, kan variere fra produkt til produkt, så du kan se i instruksjonene og/eller oppsettet ved levering.



---

## Instruksjoner om WEEE

---



Korrekt avhending av dette produktet (Avfall fra elektrisk og elektronisk utstyr)  
(Gjelder i land med avfallssortering)

Denne merkingen som vises på produktet, dets tilbehør eller dokumentasjon, indikerer at produktet eller det elektroniske tilbehøret (for eksempel lader, headset, USB-kabel) ikke skal kastes sammen med annet husholdningsavfall ved slutten av levetiden. For å hindre potensiell skade på miljøet eller helseskader grunnet ukontrollert avfallsavhending ber vi om at dette avfallet holdes adskilt fra andre typer avfall og resirkuleres på ansvarlig måte for å fremme bærekraftig gjenbruk av materielle ressurser.

Private forbrukere bør kontakte enten forhandleren de kjøpte produktet av, eller lokale myndigheter for detaljer om hvor og hvordan disse artiklene kan resirkuleres på en miljøvennlig måte.

Forretningsbrukere bør kontakte sin leverandør og undersøke vilkårene i kjøpskontrakten. Dette produktet og det elektroniske tilbehøret skal ikke blandes med annet kommersielt avfall som skal kastes.

For mer informasjon om Samsungs miljøengasjement og lovpålagte produktforpliktelser, f.eks. REACH, WEEE eller batterier, kan du gå til siden vår om bærekraftighet på [www.samsung.com](http://www.samsung.com)

(Gjelder bare produkter som selges i europeiske land og i Storbritannia)

# Installasjon

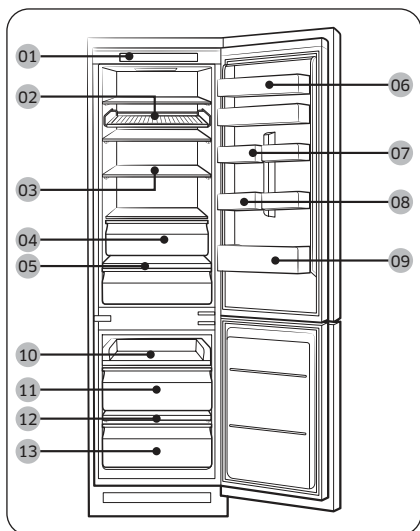
Følg disse instruksjonene nøye for å sikre riktig installasjon av kjøleskapet og hindre ulykker før du bruker det.

## ⚠ ADVARSEL

- Bruk kjøleskapet kun til sitt tiltenkte formål som beskrevet i denne håndboken.
- All service må utføres av en kvalifisert tekniker.
- Avhend produktets emballasjemateriell i samsvar med lokale forskrifter.
- For å hindre elektrisk støt kobler du ut strømledningen før du utfører service eller skifter deler.

## Kort om kjøleskapet

Det faktiske bildet og de medfølgende komponentdelene til kjøleskapet kan variere, avhengig av modell og land.



- 01 Kontrollpanel
  - 02 Vinstativ \*
  - 03 Kjøleskaphyller \*
  - 04 Kjøleskapskuff \*
  - 05 Grønnsakshyller \*
  - 06 Øverste dørskuff \*
  - 07 Variety-dørskuff
  - 08 Eggeskuff \*
  - 09 Kjøleskapsdørskuff
  - 10 Skyvehyll
  - 11 Midtre fryserkuff
  - 12 Fryserhyll \*
  - 13 Nederste fryserkuff
- \* bare gjeldende modeller

## 📖 MERK

- For best mulig energieffektivitet må du sørge for at alle hyller, skuffer og kurver er plassert i original posisjon.
- Bare for modeller som har fryserhyll:
  - Bruk fryseren etter å ha fjernet den nederste skuffen i fryseren hvis du har behov for å fryse store mengder mat raskt.
  - Hvis du trenger mer plass, kan du ta ut skyvehyllen (10) og to fryserkuffer (11, 13) under den, men behold fryserhyllen på den nederste skuffen i fryseren. De påvirker ikke termiske og mekaniske egenskaper. Det oppgitte lagringsvolumet av frossen mat i fryserdelen beregnes med hyllen og fryserkuffene fjernet.

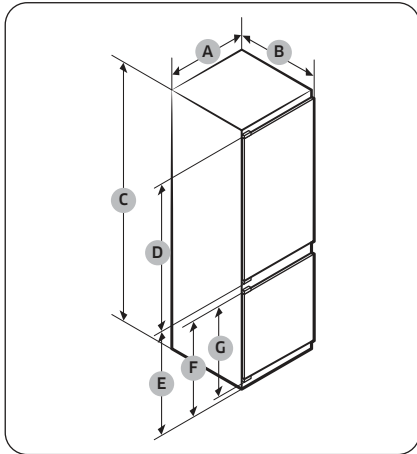
## Trinnvis installasjon

### TRINN 1 Velg et sted

Krav til stedet:

- Solid, jevnt underlag uten tepper eller gulv som kan hindre ventilasjon
- Ikke i direkte sollys
- Tilstrekkelig plass til å åpne og lukke døren
- Ikke i nærheten av en varmekilde
- Plass til vedlikehold og service

Produktmål

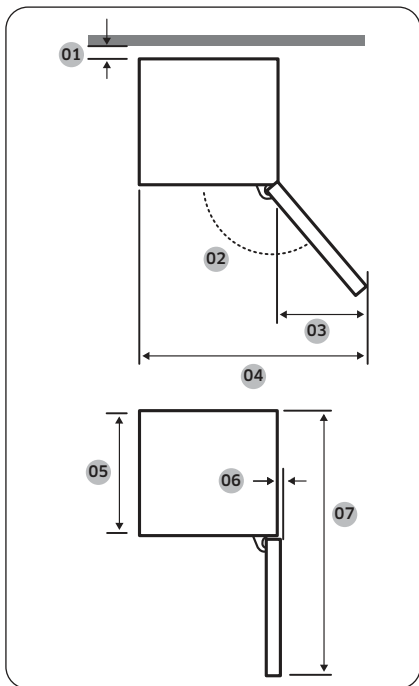


|   | BRB**26*        | BRB**30*        |
|---|-----------------|-----------------|
| A | 540±2           | 540±2           |
| B | 550±2 (med dør) | 550±2 (med dør) |
| C | 1775±2          | 1935±2          |
| D | 987             | 1147            |
| E | 735             | 735             |
| F | 671             | 671             |
| G | 621             | 621             |

(enhet: mm)

# Installasjon

Produktets globale dimensjoner



| Modell | BRB*****SO<br>SKYVETYPE   | BRB*****FO<br>FASTMONTERT TYPE |
|--------|---------------------------|--------------------------------|
| 01 *   | 10 (min.) / 30 (anbefalt) |                                |
| 02     | 95° (anbefalt)            | 115° (anbefalt)                |
| 03     | 218                       | 180                            |
| 04     | 758                       | 700                            |
| 05     | 510                       | 510                            |
| 06     | 1                         | 5                              |
| 07     | 1055                      | 1055                           |

\* 01: Fra kabinettet til produktets bakside.  
(enhet: mm)

## MERK

- Det angitte energiforbruket er basert på 10 mm avstand mellom kabinettet og produktets bakside. Produktet vil fungere riktig selv om avstanden er under 10 mm, men vil bruke noe mer energi.
- Vi anbefaler at man bruker et kabinett med en tykkelse på 18 mm med hengsler som er 20 mm eller mindre.

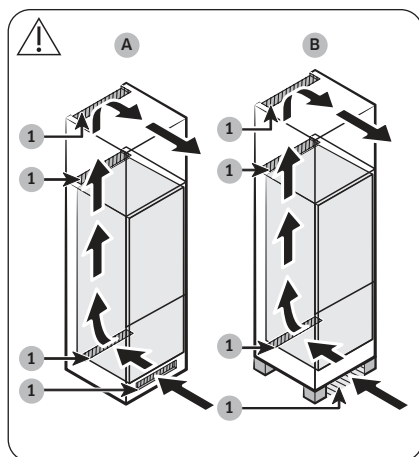
## MERK

- Målene i tabellen over kan variere, avhengig av målemetoden.
- For innebygd installasjon ser du installasjonshåndboken.

### Kabinettets ventilasjonssystem

Som vist på figuren sirkulerer luft som kommer inn i kjøleskapet rundt ventilasjonsbanen (se pilens retning) til kabinettet. Kabinettet må ha minst 200 cm<sup>2</sup> (B x H: 500 mm x 40 mm) med plass for luftinntaket og luftuttaket. Kabinettet må også ha en ventil på baksiden på minst 200 cm<sup>2</sup> (B x H: 500 mm x 40 mm) med plass nær bunnen.

#### Luftinntak

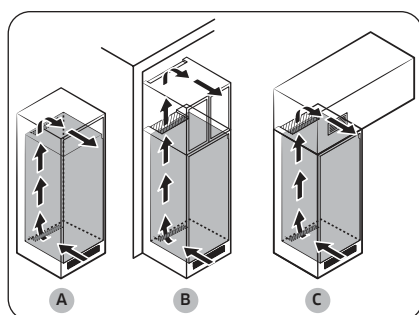


|   |                     |
|---|---------------------|
| 1 | 200 cm <sup>2</sup> |
|---|---------------------|

Luftinntaket må være plassert som i ett av eksemplene nedenfor, eller en liknende stilling, avhengig av kabinetttypen.

- A. Et ventilasjonshull inkludert i kabinettet.
- B. Et kabinett uten føtter.

#### Luftutløp



Luftutløpet må være plassert som i ett av eksemplene nedenfor, eller en liknende stilling, avhengig av kabinetttypen.

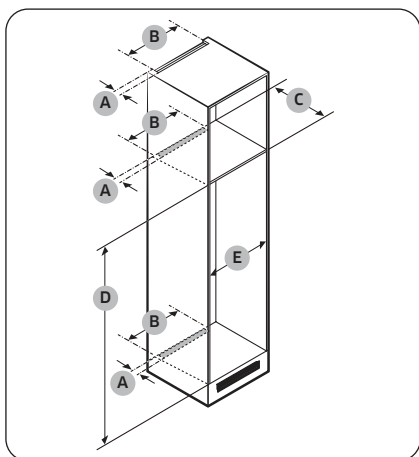
- A. Like over kjøleskapet med et valgfri kjøleribbe
- B. Nær taket på kabinettet
- C. Over kjøleskapet med en separat innebygd ventil

#### **⚠ FORSIKTIG**

Uavhengig av skapets utforming, må luftventilasjonssystemet ikke blokkeres av andre installasjoner.

# Installasjon

## Kabinettmål



### ⚠ FORSIKTIG

Hvis kabinettet har en dør, skal du påse at døren ikke er tung for å unngå at den tipper eller faller av.

| Kabinettør    | Tykkelse (mm) | Vekt (kg) |
|---------------|---------------|-----------|
| Kjøleskapside | Min. 16       | Maks. 18  |
| Frysebokside  | Maks. 19      | Maks. 12  |

Enhver produktfeil som måtte oppstå på grunn av følgende, dekkes ikke av garantien.

1. Uegnede forhold på monteringsstedet eller feil kabinettstørrelser
2. Defekt kabinett
3. Feil fra montørens eller brukerens side

## Klarering

Se bildene og tabellene nedenfor for plasskrav ved montering.

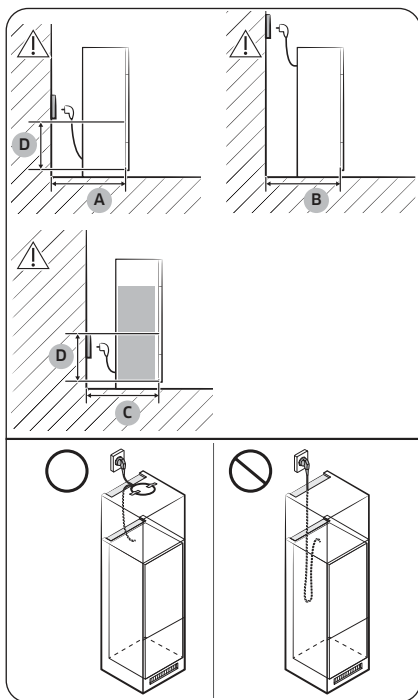
| Modell                           |          | A (mm) | B (mm) | C (mm) | D (mm) | E (mm) | Bemerkning     |
|----------------------------------|----------|--------|--------|--------|--------|--------|----------------|
| BRB***26**S0<br>SKYVETYPE        | Min.     | 40     | 500    | 560    | 1778   | 560    |                |
|                                  | Anbefalt |        |        | 580    | 1780   | 562    |                |
|                                  | Maks.    |        |        | -      | 1782   | 568    |                |
| BRB***26**F0<br>FASTMONTERT TYPE | Min.     | 40     | 500    | 560    | 1778   | 555    | Hengsel: 17 mm |
|                                  | Anbefalt |        |        | 580    | 1780   | 562    |                |
|                                  | Maks.    |        |        | -      | 1782   | 568    |                |
| BRB***30**S0<br>SKYVETYPE        | Min.     | 40     | 500    | 560    | 1938   | 560    |                |
|                                  | Anbefalt |        |        | 580    | 1940   | 562    |                |
|                                  | Maks.    |        |        | -      | 1942   | 568    |                |
| BRB***30**F0<br>FASTMONTERT TYPE | Min.     | 40     | 500    | 560    | 1938   | 555    | Hengsel: 17 mm |
|                                  | Anbefalt |        |        | 580    | 1940   | 562    |                |
|                                  | Maks.    |        |        | -      | 1942   | 568    |                |

### 📖 MERK

- Hvis bredden på et kabinett er mer enn 568 mm, kan pakningen (mellom kjøleskapet og kabinettet) løsne.

- Hvis kabinettet er høyere enn maksimal dimensjon (1782 mm), må du bruke andre sluttmaterialer for å fylle ut avstanden.

#### Vurderinger for plassering av strømuttak og nødvendig plass



|   |          |
|---|----------|
| A | Min. 590 |
| B | Min. 560 |
| C | Min. 580 |
| D | 240      |

(enhet: mm)

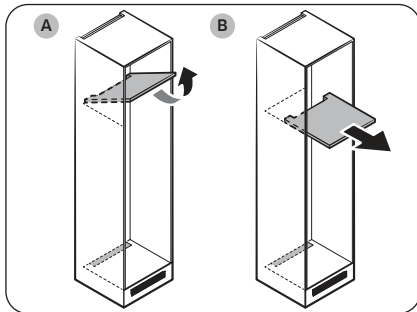
#### **MERK**

Hvis du installerer kjøleskapet i et skap som er 560 mm dypt, må du sørge for at strømledningen er på siden av kjøleskapet før du kobler den til et strømuttak. Hvis strømledningen er bak på kjøleskapet, kan det senke energieffektiviteten.

# Installasjon

## Kabinetttype

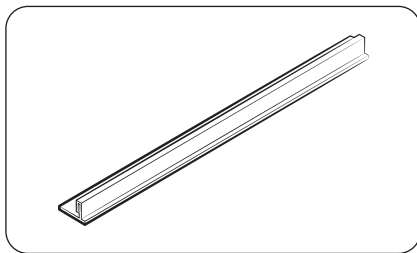
Den anbefalte kabinetttypen er én av følgende:



### **MERK**

Hvis du bruker en av disse kabinetttypene, behøver du ikke å fjerne hovedenheten fra kabinettet for å utføre reparasjon av en defekt hoved-PBA. Hvis du bruker en annen kabinetttype, må du ta hovedenheten ut av kabinettet for vedlikehold.

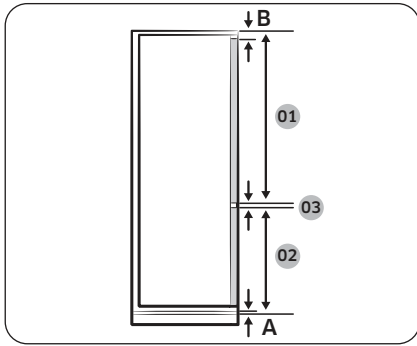
- A. Tippetype
- B. Skyvetype



### **MERK**

- Bruk av en kabinettstørrelse annen enn den som anbefales kan forårsake at pakningen mellom kjøleskapet og kabinettet løsner etter at kjøleskapet er plassert i kabinettet.





### **MERK**

For å installere et skap som krever et mellomrom på 3 mm (03) kan du se referanasetabellen nedenfor.

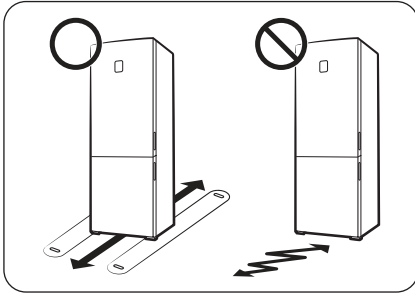
| Modell | BRB***26**S0<br>SKYVETYPE                   | BRB***26**FO<br>FASTMONTERT TYPE |
|--------|---|----------------------------------|
| 01     | Min. 1041+B<br>Maks. 1102+B                 | Min. 1063+B<br>Maks. 1076+B      |
| 02     | Min. 670+A<br>Maks. 731+A                   | Min. 696+A<br>Maks. 709+A        |
| 03     | 3 mm<br>(døråpning til kjøleskap og fryser) |                                  |

| Modell | BRB***30**S0<br>SKYVETYPE                   | BRB***30**FO<br>FASTMONTERT TYPE |
|--------|---|----------------------------------|
| 01     | Min. 1204+B<br>Maks. 1262+B                 | Min. 1223+B<br>Maks. 1236+B      |
| 02     | Min. 670+A<br>Maks. 731+A                   | Min. 696+A<br>Maks. 709+A        |
| 03     | 3 mm<br>(døråpning til kjøleskap og fryser) |                                  |

- A. Nedre kant av frontpanelet over luftventilasjonen
- B. Overheng frontpanel

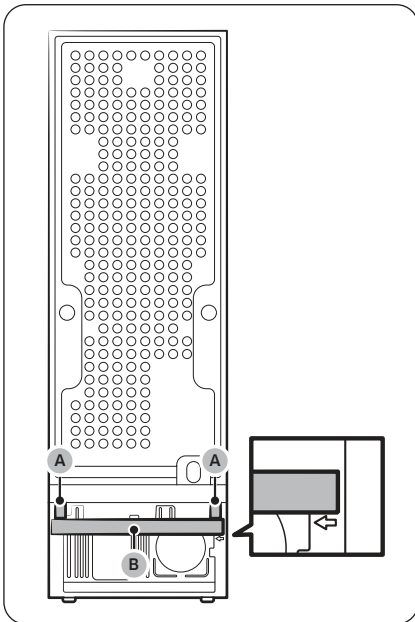
# Installasjon

## TRINN 2 Underlag



- Underlaget kjøleskapet installeres på, å tåle et fullt kjøleskap.
- For å beskytte gulvet plasserer du en stor bit papp på hvert av kjøleskapets bein.
- Når kjøleskapet er i sin endelige posisjon, må du ikke flytte det med mindre det er nødvendig, for å beskytte gulvet. Hvis du må flytte det, bruker du et tykt papir eller tøy, som for eksempel gamle tepper, under det.

## TRINN 3 Romdeling (bare gjeldende modeller)



Fest de medleverte mellomstykkene (A) og svampen (B) som vist i figuren for å få optimal energieffektivitet.

### ⚠ FORSIKTIG

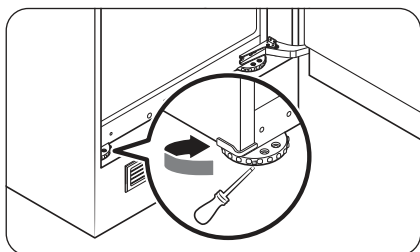
Hvis kjøleskapet ikke er likt med kabinettet, må du kanskje kutte mellomstykkene for å justere, men optimal energieffektivitet kan da ikke garanteres.

## TRINN 4 Justere nivelleringsføttene

### ⚠ FORSIKTIG

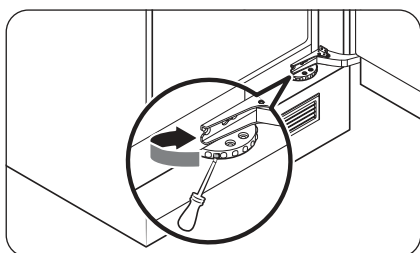
- Kjøleskapet må stå rett på et flatt, solidt gulv. Hvis ikke kan det føre til skader på kjøleskapet eller fysiske skader.
- Justeringen må utføres med tomt kjøleskap. Sørg for at det ikke er noen matvarer i kjøleskapet.

Kjøleskapet kan nivelleres med fotfrontene som har en spesialskrue (nivelleringskrue) til nivelleringsformål. Bruk en flat skrutrekker til justeringen.



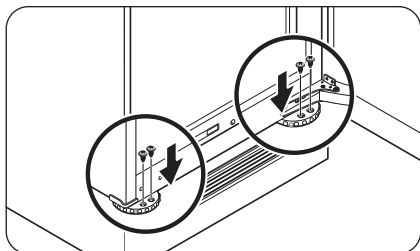
### Slik justerer du høyden på venstre side:

Plasser en flat skrutrekker inn i utjevneren på venstre frontfot. Skru skruen med klokken for å heve eller skru den mot klokken for å senke.



### For å justere høyden på høyre side:

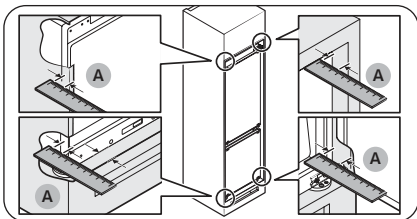
Plasser en flat skrutrekker inn i utjevneren på høyre frontfot. Skru skruen med klokken for å heve eller skru den mot klokken for å senke.



### 📖 MERK

Påse at du etterlater et mellomrom på 41 mm (A: både for skyvehengsel og fastmontert hengsel) mellom kjøleskapet og skapet eller alkoven. Monter deretter bena med skruene.

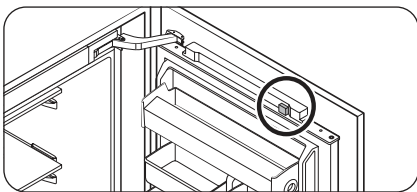
# Installasjon



## TRINN 5 Første innstillinger

Kjøleskapet skal være fullt funksjonelt når du har fullført disse trinnene.

1. Fjern PE-skumstykkene fra hyllehjørnene. Disse er festet for å beskytte kjøleskapet under transport.
2. Åpne døren og sjekk om den innvendige lampen lyser.



3. Ta bort PE-skummet på magneten fra toppen av døren.

4. Velg den laveste temperaturen og vent i omtrent én time. Da vil fryseren bli litt kaldere, og motoren vil gå jevnt.
5. Vent til kjøleskapet når angitt temperatur. Nå er kjøleskapet klart til bruk.

### MERK

Alarmen går når du slår på kjøleskapet. Du kan slå av alarmen ved å trykke på Freezer (Fryser) eller Fridge (Kjøleskap).

---

## TRINN 6 Temperaturalarm (bare aktuelle modeller)

---

### Type 1

- Kjøleskapet blinker «- ->» i temperaturvisningen med en alarm hvis fryserdelen er for varm. Dette kan oppstå hvis fryseren blir for varm etter et strømbrudd.
- Hvis dette skjer, trykker du **Freezer (Fryser)** eller **Fridge (Kjøleskap)**. Den varmeste temperaturen vises i fem sekunder. Deretter angis den faktiske temperaturen. Deaktiver alarmen ved å trykke **Door Alarm (Døralarm)**.

### Type 2

- Kjøleskapet blinker temperaturindikatoren med en alarm hvis fryserdelen er for varm. Dette kan oppstå hvis fryseren blir for varm etter et strømbrudd. Deaktiver alarmen ved å trykke **Freezer (Fryser)** eller **Fridge (Kjøleskap)**.

---

## TRINN 7 Siste sjekk

---

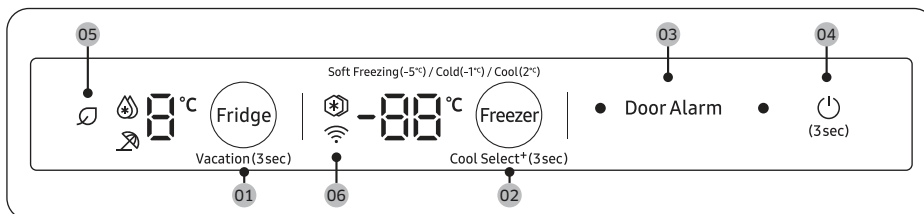
Når installasjonen er fullført, bekrefter du at:

- Kjøleskapet er koblet til et strømuttak og er skikkelig jordet.
- Kjøleskapet er installert på et flatt, jevnt underlag med passende klarering fra veggen eller skapet.
- Kjøleskapet er i vater og står støtt på møblet.
- Døren åpnes og lukkes fritt, og den innvendige lampen slår seg automatisk på når døren åpnes.

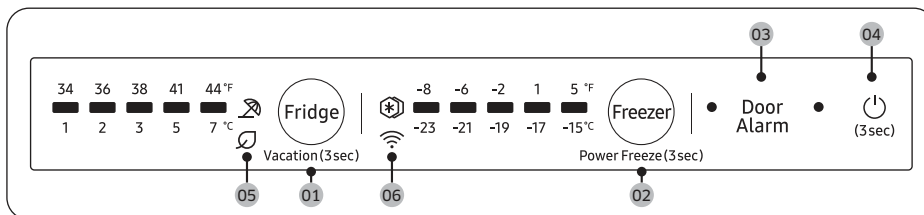
# Drift

## Hovedpanel

### TYPE 1



### TYPE 2



**01** Fridge (Kjøleskap) / Vacation (Ferie)

**02** Freezer (Fryser) / Power Freeze (Hurtigfrys) / Cool Select+ \*

**03** Door Alarm (Døralarm)

**04** ⏻ (Strøm)

**05** AI Energy Mode

**06** Nettverkstilkobling

\* bare gjeldende modeller

### **MERK**





Alle LED-lampene slås på samtidig når døren er åpen eller de slås av samtidig når døren lukkes.

## 01 Kjøleskap / Ferie (3 sek.)

|                    |   |
|--------------------|---|
| Fridge (Kjøleskap) | <p>For å justere kjøleskaptemperaturen trykker du <b>Fridge (Kjøleskap)</b> og velger ønsket temperatur.</p> <p>Du kan endre temperaturen mellom 1 °C og 7 °C (standard: 3 °C).</p> <p><b>Power Cool (Hurtigkjøler) (Type 1)</b></p> <p>Power Cool (Hurtigkjøler) fremskynder kjøleprosessen til maksimal viftehastighet. Kjøleskapet fortsetter å gå på full hastighet i to og en halv time før det går tilbake til forrige temperatur.</p> <ul style="list-style-type: none"><li>• For å aktivere Power Cool (Hurtigkjøler), velger du temperatur 1 °C og trykker så <b>Fridge (Kjøleskap)</b> for å velge Power Cool (Hurtigkjøler). Den tilsvarende indikatoren (🔆) lyser, og kjøleskapet fremskynder kjøleprosessen.</li><li>• For å deaktivere Power Cool (Hurtigkjøler), trykker du <b>Fridge (Kjøleskap)</b> igjen. Deretter tilbakestilles temperaturen i kjøleskapet til 7 °C.</li></ul> <p><b>MERK</b></p> <p>Bruk av Power Cool (Hurtigkjøler) øker strømforbruket. Sørg for at du slår den av og går tilbake til forrige temperatur hvis du ikke har tenkt å bruke funksjonen.</p> |
| Vacation (Ferie)   | <ul style="list-style-type: none"><li>• Hvis du skal på ferie eller forretningsreise, eller hvis du ikke skal bruke kjøleskapet over lengre tid, bruker du modusen Vacation (Ferie). Kjøleskapets temperatur blir holdt under 17 °C, men fryseren forblir aktiv og uendret.</li><li>• Du aktiverer Vacation (Ferie)-modus ved å trykke og holde inne <b>Fridge (Kjøleskap)</b> i 3 sekunder.</li></ul> <p><b>MERK</b></p> <ul style="list-style-type: none"><li>• Sørg for at du tar ut maten fra kjøleskapsdelen før du bruker funksjonen Feriemodus.</li><li>• Vacation (Ferie)-modus deaktiveres hvis du justerer temperaturen.</li></ul>  |

# Drift

## 02 Fryser / Hurtigfrys (3 sek.) / Cool Select + (3 sek.)

|                           |   |
|---------------------------|---|
| Freezer (Fryser)          | <p>Freezer (Fryser)-knappen kan brukes til å angi frysertemperaturen. Tilgjengelige temperaturer er mellom -15 °C og -23 °C (standard: -19 °C).</p> <p> <b>MERK</b></p> <p>Du kan ikke endre temperaturen i Cool Select+-modus.</p>  |
| Power Freeze (Hurtigfrys) | <p>Power Freeze (Hurtigfrys) fremskynder fryseprosessen til maksimal viftehastighet. Fryseren fortsetter å gå på full hastighet i 50 timer før den går tilbake til forrige temperatur. Når du skal fryse store mengder mat, aktiverer du Power Freeze (Hurtigfrys) i minst 20 timer før du legger mat i fryseren.</p> <p><b>Type 1</b></p> <ul style="list-style-type: none"><li>• For å aktivere Power Freeze (Hurtigfrys), velger du temperatur -23 °C og trykker så <b>Freezer (Fryser)</b> for å velge Power Freeze (Hurtigfrys). Den tilsvarende indikatoren (  ) lyser, og kjøleskapet fremskynder fryseprosessen for deg.</li><li>• Når prosessen Power Freeze (Hurtigfrys) er fullført, vil den tilhørende indikatoren slå seg av og fryseren går tilbake til forrige temperaturinnstilling.</li><li>• For å deaktivere Power Freeze (Hurtigfrys), trykker du <b>Freezer (Fryser)</b> igjen. Fryseren går tilbake til forrige temperaturinnstilling.</li></ul> <p><b>Type 2</b></p> <ul style="list-style-type: none"><li>• Du aktiverer Power Freeze (Hurtigfrys) ved å trykke på og holde inne <b>Freezer (Fryser)</b> i 3 sekunder for å velge Power Freeze (Hurtigfrys). Den tilsvarende indikatoren (  ) lyser, og kjøleskapet fremskynder fryseprosessen for deg.</li><li>• Du deaktiverer Power Freeze (Hurtigfrys) ved å trykke på og holde inne <b>Freezer (Fryser)</b> i 3 sekunder igjen. Fryseren går tilbake til den forrige temperaturinnstillingen og indikatoren slås av.</li></ul> <p> <b>MERK</b></p> <p>Bruk av Power Freeze (Hurtigfrys) øker strømforbruket. Sørg for at du slår den av og returnerer til forrige temperatur hvis du ikke har tenkt å bruke funksjonen.</p> |




|                                  |   |
|----------------------------------|---|
| <p>Cool Select+<br/>(Type 1)</p> | <p>Hver gang du trykker og holde inne <b>Cool Select+</b> i tre sekunder, endres driftsmodusen i denne rekkefølgen:<br/>Freeze (Frysing) → Soft Freezing (Mild frysing) (-5 °C) → Cold (Kald) (-1 °C) → Cool (Kjøøl) (2 °C)</p> <p><b>⚠ FORSIKTIG</b></p> <ul style="list-style-type: none"> <li>• Hvis du endrer modus fra Freezer (Fryser) til Cool Select+ kan væsker kan lekke fra matvarene.</li> <li>• Ikke oppbevar kjøtt eller sjømat i lengre tid i modusen Cool Select+.<br/>Matvarene kan fryses og ødelegges på grunn av feil temperaturinnstilling for matvarene som oppbevares.</li> <li>• Hvis strømforsyningen gjenopprettes til kjøleskapet etter en lengre tid uten aktivitet, kan innstillingene for Cool Select+ bli gjenopprettet til fabrikkinnstillinger. Kontroller innstillingene til Cool Select+ før du bruker kjøleskapet.</li> </ul> |
|----------------------------------|---|

### 03 Døralarm


|                                  |   |
|----------------------------------|---|
| <p>Door Alarm<br/>(Døralarm)</p> | <p>Du kan stille inn alarmer for en påminnelse. Hvis døren blir stående åpen i mer enn 2 minutter, hører du alarmer mens alarmindikatoren blinker.<br/>Du kan bytte mellom aktivisering og deaktivering av alarmer ved å trykke <b>Door Alarm (Døralarm)</b>.</p> |
|----------------------------------|---|

### 04 (Strøm)

Slå på kjøleskapet ved å trykke og holde inne  i 3 sekunder.

Hvis du trykker og holder inne  i 3 sekunder igjen, slås kjøleskapet av og også romlampene.

### 05 AI Energy Mode (bare gjeldende modeller)

-ikonet vises når AI Energy Mode er aktiv. Du kan slå AI Energy Mode på eller av i SmartThings-appen. (bare gjeldende modeller)

# Drift

## 06 Nettverkstilkobling (bare gjeldende modeller)

Du kan kontrollere og overvåke kjøleskapet på SmartThings-appen. Du finner mer informasjon i SmartThings (bare gjeldende modeller)-delen.

### **MERK**

Hvis kjøleskapet ikke er tilkoblet SmartThings-appen, vil Wi-Fi-ikonet (📶) blinke for å varsle deg. Hvis du ser det blinkende Wi-Fi-ikonet (📶), anbefaler vi at du kobler kjøleskapet til SmartThings-appen.

## Slå Wi-Fi på eller av (bare aktuelle modeller)

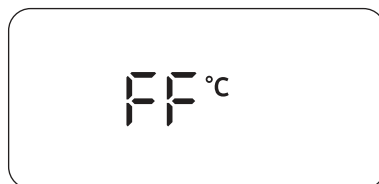
### Type 1

For å slå Wi-Fi på eller av, trykker du på og holder inne **Fridge (Kjøleskap)** i 10 sekunder. Skjermen viser Wi-Fi-statusen i 5 sekunder (som angitt i figuren).

Wi-Fi på



Wi-Fi av



### Type 2

For å slå Wi-Fi på eller av, trykker du på og holder inne **Fridge (Kjøleskap)** i 10 sekunder. Wi-Fi-ikonet (📶) viser statusen til Wi-Fi som vist nedenfor.

- Wi-Fi Off (Wi-Fi av): Wi-Fi-ikonet (📶) blinker i 5 sekunder og slukkes deretter.
- Wi-Fi på: Wi-Fi-ikonet (📶) blinker i 5 sekunder og tennes deretter i 5 sekunder.

### **MERK**

- Når du konfigurerer Wi-Fi til å koble kjøleskapet til SmartThings-appen, blir Wi-Fi-funksjonen slått på.
- Du finner mer informasjon i SmartThings (bare gjeldende modeller)-delen.

---

## SmartThings (bare gjeldende modeller)

---

### Installasjon

Besøk Google Play Store, Galaxy Apps eller Apple App Store og søk etter «SmartThings». Last ned og installer SmartThings-appen som tilbys av Samsung Electronics, på smartenheten din.

#### MERK

- Programvareversjonen av SmartThings-appen som støttes kan endres i henhold til støtteretningslinjene for OS-et som produsenten oppgir. I tillegg, for SmartThings-appen eller funksjonene som appen støtter, kan de nye retningslinjene for programoppdatering på den eksisterende OS-versjonen opphøres på grunn av årsaker for brukervennlighet eller sikkerhet.
- SmartThings-appen kan endres uten forvarsel for å forbedre brukervennligheten eller ytelsen. Siden OS-versjonen for mobiltelefoner oppdateres hvert år, blir også SmartThings oppdatert kontinuerlig i henhold til siste OS. Hvis du har spørsmål om det ovennevnte, kan du kontakte oss på [st.service@samsung.com](mailto:st.service@samsung.com)
- Anbefalte krypteringssystemer inkluderer WPA/TKIP og WPA2/AES. Nyere eller ikke standard Wi-Fi-autentiseringsprotokoller støttes ikke.
- Trådløse nettverk kan påvirkes av trådløse kommunikasjonsomgivelser.
- Hvis Internett-tjenesteleverandøren din har registrert MAC-adressen til PC-en eller modemmet for identifikasjon, kan det hende at Samsung Smart Refrigerator ikke kan koble seg til Internett. Hvis dette skjer, kontakter du Internett-tjenesteleverandøren for teknisk støtte.
- Brannmurinnstillingene for nettverkssystemet kan hindre Samsung Smart Refrigerator i å få tilgang til Internett. Kontakt Internett-tjenesteleverandøren for teknisk hjelp. Hvis dette symptomet fortsetter, kontakter du et lokalt Samsung-servicesenter eller forhandleren.
- For å konfigurere de trådløse tilgangspunktinnstillingene kan du se brukerhåndboken til tilgangspunktet (ruter).
- Samsung Smart-kjøleskap støtter både Wi-Fi 2,4 GHz med IEEE 802.11 b/g/n- og Soft-AP-protokollene. (IEEE 802.11 n anbefales.)
- Uautoriserte trådløse Wi-Fi-rutere kan kanskje ikke koble seg til et Samsung Smart Refrigerator.

# Drift

---

## Samsung-konto

Du må registrere Samsung-kontoen din for å bruke appen. Hvis du ikke har en Samsung-konto, følger du instruksjonene på appskjermen for å opprette en gratis Samsung-konto.

## Slik kommer du i gang

Slå på enheten du vil koble til, åpne SmartThings-appen på telefonen og følg instruksjonene nedenfor.

Hvis en melding vises som sier at en ny enhet har blitt funnet, klikker du **ADD NOW (LEGG TIL NÅ)**.

Hvis en popup ikke vises, trykker du på knappen **+** og velger deretter enheten du vil koble til fra listen over tilgjengelige enheter.

Hvis enheten ikke er på listen over tilgjengelige enheter, trykker du på **Supported Devices (Støttede enheter)**, velger enhetstype (Kjøleskap) og deretter den spesifikke enhetsmodellen.

Følg instruksjonene i appen for å konfigurere enheten din. Når konfigureringen er fullført, blir kjøleskapet ditt vist som et «kort» på skjermen **Devices (Enheter)**.


## Integrert kontroll

Du kan overvåke og kontrollere kjøleskapet hjemme og på farten.

- Trykk på kjøleskapikonet på SmartThings-instrumentbordet eller trykk på Enheter-ikonet nederst på instrumentbordet, og trykk deretter på kjøleskapkortet for å åpne Kjøleskap-siden.
- Kontroller driftsstatusen eller varslene som er knyttet til kjøleskapet og endre alternativer eller innstillinger om nødvendig.

### **MERK**

Noen av kjøleskapets alternativer eller innstillinger er kanskje ikke tilgjengelige for fjernkontroll.

| Kategori                                 | Element   | Beskrivelse   |
|--|---|---|
| Overvåking                               | Kjøleskaptemperatur   | Viser gjeldende temperaturinnstilling for kjøleskapet.                        |
|  | Frysertemperatur  | Viser gjeldende temperaturinnstilling for fryseren.                           |
| Funksjoner                               | Hurtigkjøler (bare aktuelle modeller)   | Du kan slå Hurtigkjøler av eller på, og sjekke gjeldende innstillinger.       |
|  | Hurtigfrys  | Du kan slå Hurtigfrys av eller på, og sjekke gjeldende innstillinger.         |
|  | Kjøleskaptemperatur   | Du kan angi ønsket temperatur for kjøleskapet.                                |
|  | Frysertemperatur  | Du kan angi ønsket temperatur for fryseren.                                   |
| Alarmer                                  | Unormalt høy temperatur   | Denne alarmen utløses ved unormalt høy temperatur i kjøleskapet eller fryser. |
|  | Åpen dør  | Denne alarmen utløses hvis døren står åpen i mer enn 2 minutter.              |
| AI Energy Mode (bare gjeldende modeller) | <p>Du kan slå av eller på AI Energy Mode under menyen Energy i SmartThings-appen.</p> <p>Du kan sjekke statusen for AI Energy Mode i SmartThings-appen.</p> <p>På noen modeller vises -ikonet på hovedpanelet for å vise at AI Energy Mode er på. (bare gjeldende modeller)</p> <p>Når AI Energy Mode er på, reduseres strømforbruket, men det kan også redusere kjøleytelsen.</p> |   |

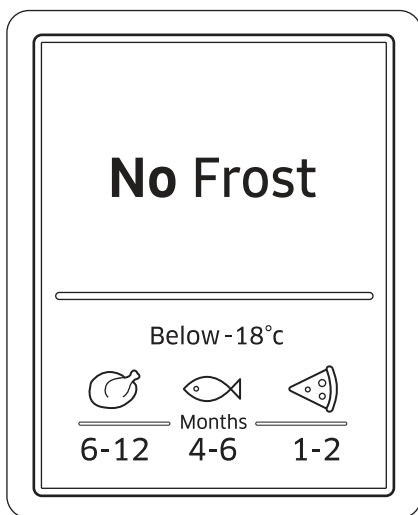
### Informasjon om sikkerhetsoppdateringer

Sikkerhetsoppdateringer gir for å forsterke sikkerheten på enheten din og beskytte personopplysningene dine. For mer informasjon om sikkerhetsoppdateringer, gå til <https://security.samsungda.com>.

\* Denne nettsiden støtter kun noen språk.

# Drift

## Informasjon om oppbevaring



Tallene nederst i denne figuren indikerer oppbevaringsperioden for matvaren umiddelbart over. Eksempel: 4-6 måneder for fisk.

### Fryse mat

1. Pakk inn maten slik at den blir lufttett, med egnet innpakkingsmateriale.
2. Forsegl innpakningen.
3. Merk innpakningen med innhold og dato.

### Innpakkingsmateriale

- Materialer som er egnet til å pakke inn mat: plastfolie, polyetylenblåsefolie, aluminiumsfolie og frysebokser.
- Materialer som ikke er egnet til å pakke inn mat: innpakkingspapir, bakepapir, cellofan, matavfallsposer og brukte bæreposer.

### Forseglingsmaterialer

Gummistrikk, klips, hyssing, teip som tåler kulde eller lignende. Poser og polyetylenblåsefolie kan forsegles med en folieforsegler.

---

## Oppbevaringsperiode for frossen mat

Oppbevaringsperioden varierer, alt etter mattypen og oppbevaringstemperaturen. Spesifikasjonene nedenfor er basert på en temperatur på -18 °C (0 °F):

- Ferskt fjærfe (hel kylling), ferskt kjøtt (biffer, steker): opptil 12 måneder
- Fisk (mager fisk, kokt fisk), ferske reker, kamskjell, blekksprut: opptil 6 måneder
- Pizza, pølse: opptil 2 måneder

### **MERK**

Hvis du vil ha mer informasjon, kan du besøke FDAs nettsted (<http://www.fda.gov/>).

## Tining

Frossen mat kan tines på følgende måter:

- Naturlig i romtemperatur
- Naturlig i kjøleskapet
- Ved å bruke en elektrisk ovn med eller uten ekstra varme
- Ved å bruke en mikrobølgeovn

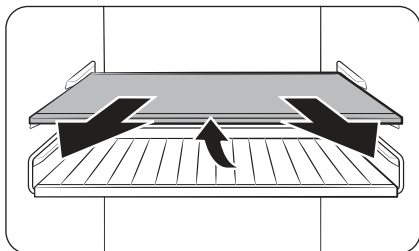
### **MERK**

- Opptint mat må ikke fryses på nytt. Det kan hende at enkelte deler av maten ikke fryses fullstendig.
- Ikke oppbevar frossen mat lenger enn maksimal oppbevaringstid.

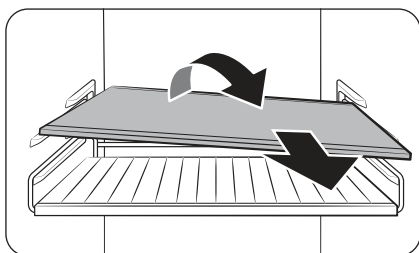
# Vedlikehold

## Håndtak og vedlikehold

### Hyller (kjøleskap/fryser) / Vinstativ (bare aktuelle modeller)



1. Trekk ut hyllen (eller vinstativet) litt. Dra deretter ut mens du løfter baksiden.

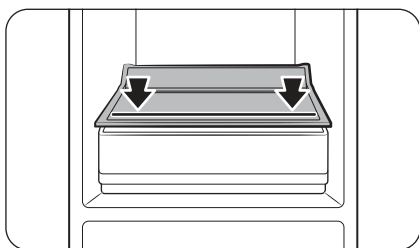


2. Drei hyllen (eller vinstativet) på skrått for å ta ut.

#### ⚠ FORSIKTIG

- Hyllen må settes inn riktig. Ikke sett den inn opp-ned.
- Glassbeholdere kan skrape opp overflaten på glasshyller.
- Ikke sett inn en hylle i vinstativposisjonen. Dette kan skade kjøleskapet. (bare gjeldende modeller)

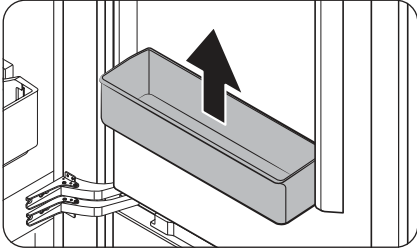
### Grønnsakshylle (bare enkelte modeller)



- Hvis modellen bare har én skuff i frysen, vil grønnsakshyllen rett over skuffen ha en påtrykt linje. Når du lagrer varer på grønnsakshyllen, må du sørge for at varene befinner seg innenfor den påtrykte linjen.



### Kjøleskapsdørskuff / Variety-dørskuff

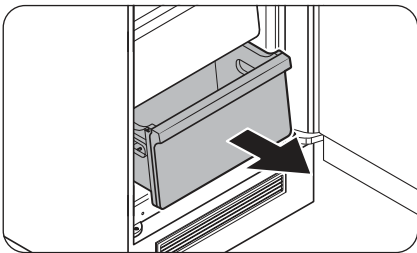


Hold dørbeholder med begge hender og løft opp for å ta den ut.

**⚠ FORSIKTIG**

Tøm dørbeholderene før du fjerner dem for å unngå uhell

### Kjøleskapskuff / Fryserskuff



Løft forsiktig opp fronten av skuffen og skyv den ut.

# Vedlikehold

---

## Rengjøring

---

### Innvendig og utvendig

#### ADVARSEL

- Ikke bruk benzen, tynnere, eddik, kloropløsning, bakepulver, sitronsyre, saltblandinger eller vaskemidler til hus og bil som Clorox™ til rengjøringsformål. Disse kan skade kjøleskapets overflate eller føre til brann.
- Ikke sprut vann på kjøleskapet. Det kan føre til elektrisk støt.

Bruk en tørr klut til å fjerne alle fremmedelemerter som støv eller vann fra støpselet og stikkontaktene.

1. Koble fra strømledningen.
2. Bruk en fuktig, myk, ikke-loende klut eller tørkepapir til å rengjøre kjøleskapets innside og utside.
3. Når du er ferdig, bruker du en tørr klut eller et tørkepapir til å tørke skikkelig.
4. Koble til strømledningen.

## Utskiftning

---

### LED-lamper

For å skifte lampene i kjøleskapet kontakter du et lokalt Samsung-servicesenter.

#### ADVARSEL

- Brukeren kan ikke utføre endringer på lampene. Ikke forsøk å skifte ut lampen selv. Dette kan føre til elektrisk støt.

### Lampe (lyskilde)

Dette produktet inneholder en lyskilde med energieffektivitetsklasse <G>.

Lampen(e) og/eller kontrollmekanismen kan ikke vedlikeholdes av brukeren. For å skifte lampen(e) og eller kontrollmekanismen i produktet kontakter du et lokalt Samsung-servicesenter.

For detaljerte instruksjoner om hvordan du skifter lampen(e) eller kontrollmekanismen i produktet, kan du gå til Samsung-nettstedet (<http://www.samsung.com>) gå til Support > Support home, og angi modellnavnet.

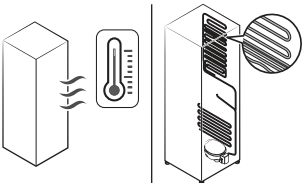
For detaljerte instruksjoner om hvordan du demonterer lampen(e) og/eller kontrollmekanismen, følger du instruksjonene for utskiftning som du finner der det er beskrevet ovenfor.

# Feilsøking

Gå gjennom sjekkpunktene under før du ringer etter service. Servicesamtaler som gjelder normale situasjoner (ikke defekt-saker) belastes brukeren.

## Generelt

### Temperatur

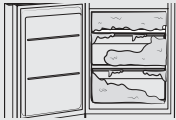
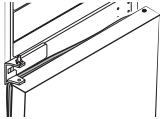
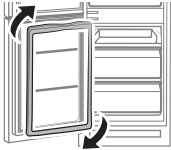
| Symptom  | Mulige årsaker   | Løsning   |
|--|--|---|
| Kjøleskap/fryser er ikke i drift.<br>Kjøleskap/fryser er for varm. | • Strømledningen er ikke plagget godt nok i.                           | • Sett strømledningen ordentlig inn i støpselet.  |
|  | • Temperaturkontrollen er ikke riktig innstilt.                        | • Still inn temperaturen lavere.  |
|  | • Kjøleskapet står i nærheten av en varmekilde eller i direkte sollys. | • Hold kjøleskapet unna direkte sollys og varmekilder.  |
|  | • Ikke nok klaring mellom kjøleskapet og sidene/baksiden.              | • Påse at det er minst 7 mm klaring fra bak- og sideveggene i kabinettet.   |
|  | • Feriemodus er aktivert.  | • Deaktiver feriemodus.   |
|  | • Kjøleskapet er overbelastet. Mat blokkerer kjøleskapsventilene.      | • Ikke overbelast kjøleskapet. Sørg for at matvarer ikke blokkerer ventilasjonen.   |
| Kjøleskap/fryser kjøler for mye.                                   | • Temperaturkontrollen er ikke riktig innstilt.                        | • Still inn en høyere temperatur.   |
| Innerveggen er varm.   | • Kjøleskapet har et varmesikkert rørsystem i den indre veggen.        | • For å hindre at det dannes seg kondens har kjøleskapet varmesikre rør i fronthjørnene. Hvis romtemperaturen stiger, kan det hende at dette utstyret ikke fungerer effektivt. Dette er ikke en systemfeil.<br> |

# Feilsøking

## Lukter

| Symptom             | Mulige årsaker              | Løsning   |
|---------------------|-----------------------------|---|
| Kjøleskapet lukter. | • Mat som har blitt dårlig. | • Vask kjøleskapet og tøm det for mat som har blitt dårlig. |
|                     | • Mat med sterk lukt.       | • Pass på at mat som lukter mye er lufttett innpakket.      |

## Rim

| Symptom   | Mulige årsaker   | Løsning  |
|---|--|--|
| Rim rundt ventilene.  | • Mat blokkerer ventilene.   | • Pass på at ingen matvarer blokkerer kjøleskapventilene.  |
| Rim på innerveggene.  | • Døren er ikke ordentlig lukket.  | • Pass på at ingen matvarer blokkerer døren. Rens dørpakningen.  |
| Frukt eller grønnsaker er frosne.   | • Frukt og grønnsaker oppbevares i sonen for ferskvarer (Chef Zone).   | • Sonen for ferskvarer (Chef Zone) er bare for kjøtt og fisk.  |
| Stor oppbygning av rim i fryseren.<br> | • Døren er ikke riktig forseglet fordi dørpakningen ikke ble snudd da dørene ble snudd.<br> | • Løsne dørpakningen og roter den 180° og fest den tilbake.<br> |

## Kondens

| Symptom                             | Mulige årsaker  | Løsning  |
|-------------------------------------|---|--|
| Det dannes kondens på innerveggene. | <ul style="list-style-type: none"><li>Hvis du lar døren stå åpen, vil det komme fukt inn i kjøleskapet.</li></ul> | <ul style="list-style-type: none"><li>Tørk av fuktigheten, og la det gå lang tid før du åpner døren igjen.</li></ul> |
|                                     | <ul style="list-style-type: none"><li>Mat med høyt fuktinnhold.</li></ul>   | <ul style="list-style-type: none"><li>Pass på at maten er lufttett innpakket.</li></ul>                              |

## Alarm

| Symptom         | Mulige årsaker   | Løsning   |
|-----------------|--|---|
| En alarm lyder. | <ul style="list-style-type: none"><li>Hvis døren blir stående åpen i mer enn to minutter, hører du alarmen til døren lukkes.</li></ul> | <ul style="list-style-type: none"><li>Trykk på hvilken som helst knapp for å slå av alarmen. Kontakt et lokalt Samsung servicesenter hvis alarmen lyder igjen etter 12 timer.</li></ul> |

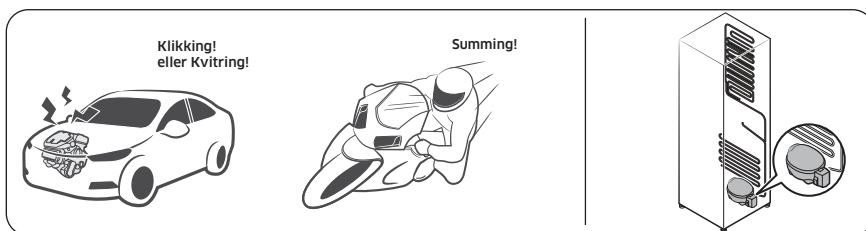
# Feilsøking

## Kommer det unormale lyder fra kjøleskapet?

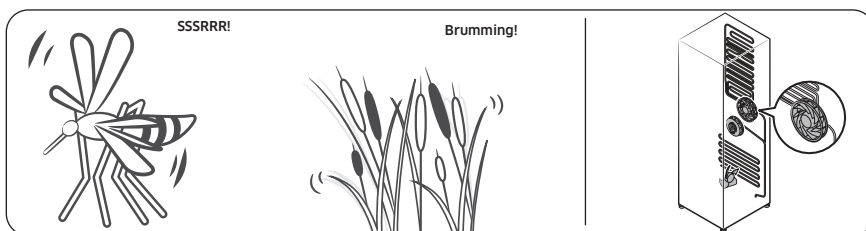
Se gjennom sjekkpunktene nedenfor før du ringer etter service. Alle servicesamtaler relatert til normale lyder vil belastes brukeren.

### Disse lydene er normale.

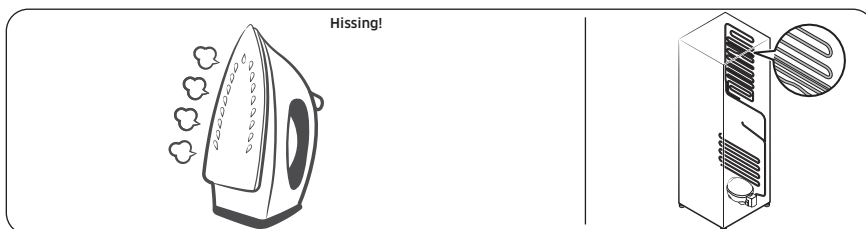
- Ved start eller slutt på en operasjon kan det komme lyder fra kjøleskapet som ligner på en bilmotor som startes. Etter hvert som operasjonen stabiliserer seg, reduseres lyden.



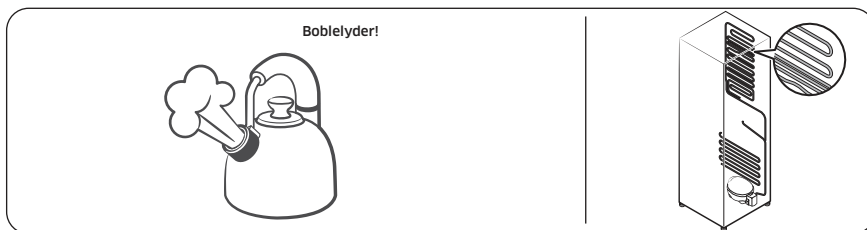
- Når viften er i drift, kan disse lydene høres. Når kjøleskapet oppnår den innstilte temperaturen, høres ingen viftelyd mer.



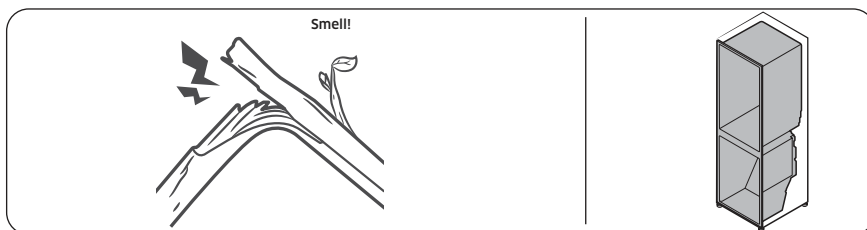
- Under en avisingssyklus kan det dryppe vann på avisingvarmeelementet, noe som kan forårsake freselyder.



- Når kjøleskapet er under avkjøling eller frysing, går det gass gjennom forseglede rør, noe som kan forårsake boblelyder.




- Når temperaturen i kjøleskapet økes eller reduseres, trekker plastdeler seg sammen og utvides, noe som kan forårsake bankelyder. Disse lydene oppstår under avisingssyklusen eller når elektroniske deler er i aktivitet.



- For ismaskiner: Når vannventilen åpnes for å fylle ismaskinen, kan det oppstå summelyder.
- Når du åpner og lukker kjøleskapsdøren, kan det oppstå susende lyder på grunn av trykkutjevning.

# Feilsøking

## SmartThings (bare gjeldende modeller)

| Symptom   | Handling   |
|---|--|
| Fant ikke «SmartThings» på appmarkedet.   | <ul style="list-style-type: none"><li>Programvareversjonen av SmartThings-appen som støttes kan endres i henhold til støtteretningslinjene for OS-et som produsenten oppgir. I tillegg, for SmartThings-appen eller funksjonene som appen støtter, kan de nye retningslinjene for programoppdatering på den eksisterende OS-versjonen opphøres på grunn av årsaker for brukervennlighet eller sikkerhet.</li></ul> |
| SmartThings-appen fungerer ikke.  | <ul style="list-style-type: none"><li>SmartThings-appen er bare tilgjengelig for gjeldende modeller.</li><li>Den gamle Samsung Smart Refrigerator-appen kan ikke kobles til Samsung Smart Home-modeller.</li></ul>   |
| SmartThings-appen er installert, men ikke koblet til kjøleskapet mitt.  | <ul style="list-style-type: none"><li>Du må logge på Samsung-kontoen din for å bruke appen.</li><li>Sørg for at ruterer fungerer normalt.</li><li>Hvis Wi-Fi-ikonet på displayet på kjøleskapet er av, indikerer dette at ingen nettverkstilkobling er opprettet enda. Hvis dette er tilfellet, bruker du SmartThings-appen til å koble til og registrere kjøleskapet på tilgangspunktet (AP) i huset.</li></ul>   |
| Kunne ikke logge på appen.  | <ul style="list-style-type: none"><li>Du må logge på Samsung-kontoen din for å bruke appen.</li><li>Hvis du ikke har en Samsung-konto, følger du appens instruksjoner på skjermen for å opprette en.</li></ul>   |
| Det vises en feilmelding når jeg prøver å registrere kjøleskapet.   | <ul style="list-style-type: none"><li>Enkel tilkobling kan mislykkes på grunn av avstanden fra tilgangspunktet eller elektrisk interferens fra omgivelsene. Vent litt og prøv på nytt.</li></ul>   |
| SmartThings-appen er koblet til kjøleskapet, men fungerer ikke.   | <ul style="list-style-type: none"><li>Gå ut av SmartThings-appen og start den på nytt, eller koble fra ruterer og koble den til igjen.</li><li>Slå av kjøleskapet, og slå den på igjen etter 1 minutt.</li></ul>   |
| Wi-Fi-ikonet blinker. (  ) | <ul style="list-style-type: none"><li>Koble kjøleskapet til SmartThings-appen før bruk. Når tilkoblingen er vellykket, slutter indikatoren å blinke.<ul style="list-style-type: none"><li>Hvis du ikke kan opprette tilkoblingen eller ikke vil bruke appen, trykker du og holder inne <b>Fridge (Kjøleskap)</b>-knappen i 10 sekunder. Indikatoren slutter å blinke.</li></ul></li></ul>                          |



# Vedlegg

## Sikkerhetsinstruks

- Mest effektiv bruk av energien får du ved å la alle indre deler, som kurver, skuffer og hyller og isbitbrett, være i samme posisjon som fra produsenten.

## Installeringsinstruks

### Før kjøleskap med klimaklasse

Avhengig av klimaklasse er dette kjøleskapet ment for bruk i romtemperaturer som spesifisert i følgende tabell.

Klimaklassen finner du på energietiketten. Utenfor disse temperaturene kan produktets funksjonalitet reduseres.

Klimaklassen finner du på etiketten på innsiden av kjøleskapet.

### Effektivt temperaturområde

Kjøleskapet er utformet for å fungere normalt innenfor temperaturområdet som er spesifisert i klasserangeringen.

| Klasse              | Symbol | Omgivelsestemperaturområde (°C) |             |
|---------------------|--------|---------------------------------|-------------|
|                     |        | IEC 62552 (ISO 15502)           | ISO 8561    |
| Kald temperert sone | SN     | +10 til +32                     | +10 til +32 |
| Temperert sone      | N      | +16 til +32                     | +16 til +32 |
| Subtropisk sone     | ST     | +16 til +38                     | +18 til +38 |
| Tropisk sone        | T      | +16 til +43                     | +18 til +43 |

### MERK

Kjøleytelsen og strømforbruket til kjøleskapet kan påvirkes av temperaturen i rommet, hvor ofte døren åpnes og plasseringen av kjøleskapet. Vi anbefaler at du justerer temperaturinnstillingene etter behov.

# Vedlegg

## Instruksjoner om temperatur

### Anbefalt temperatur

Den optimale temperaturinnstillingen for matoppbevaring:

- Fridge (Kjøleskap): 3 °C
- Freezer (Fryser): -19 °C

### MERK

Den optimale temperaturinnstillingen for hvert rom avhenger av omgivelsestemperaturen. Over optimal temperatur er basert på omgivelsestemperaturen på 25 °C.

### Hurtigkjøler

Hurtigkjøler fremskynder kjøleprosessen ved maksimal viftehastighet. Kjøleskapet fortsetter å gå på full hastighet i to og en halv time før det går tilbake til forrige temperatur.

### Hurtigfrys

Hurtigfrys fremskynder fryseprosessen ved maksimal viftehastighet. Fryseren fortsetter å gå på full hastighet i 50 timer før den går tilbake til forrige temperatur. Når du skal fryse store mengder mat, bør du aktivere Hurtigfrys i minst 20 timer før du legger maten i fryseren.

### MERK

Når du bruker denne funksjonen, økes strømforbruket til kjøleskapet. Husk å slå den av når du ikke trenger den, slik at fryseren gjenopptar den opprinnelige temperaturinnstillingen.

### Oppbevaring for best konservering (bare gjeldende modeller)

Dekk til mat for å beholde fuktigheten og forhindre at de plukker opp lukt fra andre matvarer. En stor gryte med mat som suppe eller lapskaus, bør deles i små porsjoner og legges i grunne beholdere før de legges i kjøleskapet. Et stort kjøttstykke eller helt fjærkre skal deles opp i mindre biter eller legges i grunne beholdere før de legges i kjøleskapet.

### Plassering av matvarer

|   |  |
|---|--|
| Hyller  | Hyllene er justerbare for å få plass til en rekke forskjellige pakker.   |
| Spesialisert kammer (bare gjeldende modeller) | Tette crisper-skuffer gir et optimalt lagringsmiljø for frukt og grønnsaker. Grønnsaker krever forhold med høyere fuktighet, mens frukt krever lavere fuktighetsforhold. Crisper-skuffer er utstyrt med kontrollenheter for å kontrollere fuktighetsnivået. (* Avhengig av modell og alternativer) En kjøttskuff med justerbar temperatur maksimerer lagringstiden for kjøtt og ost. |
| Oppbevares i døren                            | Ikke oppbevar lettbederlige matvarer i døra. Egg skal oppbevares i kartongen på en hylle. Temperaturen på beholderne i døren svinger mer enn temperaturen i skapet. Hold døren lukket så mye som mulig.  |

|             |  |
|-------------|--|
| Fryserdelen | Du kan lagre frossen mat, lage isbiter og fryse fersk mat i fryserdelen. |
|-------------|--|

### MERK

Frys kun fersk, uskadet mat. Hold mat som skal frysas unna mat som allerede er frossen. Oppbevar maten i lufttette beholdere for å hindre at den mister smak eller tørker ut.

### Oppbevaringsskjema for kjøleskap og fryser

Friskhetens levetid avhenger av temperatur og eksponering for fuktighet. Siden produktdatoer ikke er en guide for sikker bruk av et produkt, kan du se dette skjemaet og følge disse tipsene.

#### Melkeprodukter

| Produkt        | Kjøleskap | Fryser        |
|----------------|-----------|---------------|
| Melk           | 1 uke     | 1 måned       |
| Smør           | 2 uker    | 12 måneder    |
| Iskrem         | -         | 2-3 uker      |
| Prosessert ost | 1 måned   | 4-6 måneder   |
| Kremost        | 2 uker    | Ikke anbefalt |
| Yoghurt        | 1 måned   | -             |

#### Meat

| Produkt                                       | Kjøleskap | Fryser      |
|---|-----------|-------------|
| Ferske steker, biffer, koteletter             | 3-4 dager | 2-3 måneder |
| Fersk kjøttdeig, grytekjøtt                   | 1-2 dager | 3-4 måneder |
| Bacon   | 7 dager   | 1 måned     |
| Pølse, rå fra svinekjøtt, storfekjøtt, kalkun | 1-2 dager | 1-2 måneder |

#### Fjærkre / Egg

| Produkt               | Kjøleskap | Fryser        |
|-----------------------|-----------|---------------|
| Ferskt fjærkre        | 2 dager   | 6-8 måneder   |
| Kyllingsalat          | 1 dag     | -             |
| Egg, ferske i skallet | 2-4 uker  | Ikke anbefalt |

# Vedlegg

---

## Fisk / Sjømat

| Produkt                  | Kjøleskap | Fryser        |
|--------------------------|-----------|---------------|
| Fersk fisk               | 1-2 dager | 3-6 måneder   |
| Tilberedt fisk           | 3-4 dager | 1 måned       |
| Fiskesalat               | 1 dag     | Ikke anbefalt |
| Tørket eller syltet fisk | 3-4 uker  | -             |

## Frukt

| Produkt           | Kjøleskap | Fryser       |
|-------------------|-----------|--------------|
| Epler             | 1 måned   | -            |
| Ferskener         | 2-3 uker  | -            |
| ananas            | 1 uke     | -            |
| Annen fersk frukt | 3-5 dager | 9-12 måneder |

## Grønnsaker

| Produkt                                | Kjøleskap | Fryser |
|--|-----------|--------|
| Asparges                               | 2-3 dager | -      |
| Brokkoli, rosenkål, grønne erter, sopp | 3-5 dager | -      |
| Kål, blomkål, selleri, agurk, salat    | 1 uke     | -      |
| Gulrøtter, beter, reddiker             | 2 uker    | -      |

---

## Informasjon om modellen og bestilling av ekstradeler

---

### Informasjon om modellen

For å vise informasjon om energimerking for dette produktet på det europeiske produktregisteret for energimerking (EPREL), skanner du QR-koden på energietiketten.

Du finner QR-koden på energietiketten på produktboksen.

### Informasjon om deler

- Minimumsperiode for levering av nødvendige ekstradeler
  - 7 år: termostater, temperatursensorer, kretskort og lyskilder, dørhåndtak, dørhengsler, brett, kurver (bokser og skuffer)
  - 10 år: dørpakninger
- Minimum garantitid fra leverandøren er 24 måneder.
- Informasjon om bestilling av ekstradeler, direkte eller via andre kanaler formidlet av produsenten, importøren eller en annen autorisert representant
- Du kan finne informasjon om profesjonell reparasjon på <http://samsung.com/support>.  
Du kan finne bruksanvisningen på <http://samsung.com/support>.

# Open Source Announcement

---

## Open Source Announcement

---

The software included in this product contains open source software. You may obtain the complete corresponding source code for a period of three years after the last shipment of this product by contacting our support team via <http://opensource.samsung.com> (Please use the "Inquiry" menu.)

It is also possible to obtain the complete corresponding source code in a physical medium such as a CD-ROM; a minimal charge will be required.

The following URL [http://opensource.samsung.com/opensource/COMMON\\_TZ6\\_0/seq/0](http://opensource.samsung.com/opensource/COMMON_TZ6_0/seq/0) leads to the open source license information as related to this product. This offer is valid to anyone in receipt of this information.



# Notat

---

## MERK

Herved erklærer Samsung at dette radioutstyret overholder bestemmelsene i Direktiv 2014/53/EU og de relevante lovbestemte kravene i Storbritannia.

Den fullstendige teksten for EUs samsvarserklæring og Storbritannias samsvarserklæring er tilgjengelig via følgende internettadresse: Du finner den offisielle samsvarserklæringen på <http://www.samsung.com> ved å gå til Support > Search Product Support og legge inn modellnavnet.

|           | Frekvensområde | Overføringseffekt (maks.) |
|-----------|----------------|---------------------------|
| Wi-Fi     | 2412-2472 MHz  | 20 dBm                    |
| Bluetooth | 2402-2480 MHz  | 20 dBm                    |

|             |   |   |
|-------------|---|---|
| FRANCE      | 01 48 63 00 00  | <a href="http://www.samsung.com/fr/support">www.samsung.com/fr/support</a>  |
| GERMANY     | 06196 77 555 77   | <a href="http://www.samsung.com/de/support">www.samsung.com/de/support</a>  |
| LUXEMBURG   | 261 03 710  | <a href="http://www.samsung.com/be_fr/support">www.samsung.com/be_fr/support</a>  |
| NETHERLANDS | 088 90 90 100   | <a href="http://www.samsung.com/nl/support">www.samsung.com/nl/support</a>  |
| BELGIUM     | 02-201-24-18  | <a href="http://www.samsung.com/be/support">www.samsung.com/be/support</a> (Dutch)<br><a href="http://www.samsung.com/be_fr/support">www.samsung.com/be_fr/support</a> (French) |
| NORWAY      | 21629099  | <a href="http://www.samsung.com/no/support">www.samsung.com/no/support</a>  |
| DENMARK     | 707 019 70  | <a href="http://www.samsung.com/dk/support">www.samsung.com/dk/support</a>  |
| FINLAND     | 030-6227 515  | <a href="http://www.samsung.com/fi/support">www.samsung.com/fi/support</a>  |
| SWEDEN      | 0771-400 300  | <a href="http://www.samsung.com/se/support">www.samsung.com/se/support</a>  |
| CYPRUS      | 8009 4000 only from landline, toll free   | <a href="http://www.samsung.com/gr/support">www.samsung.com/gr/support</a>  |
| GREECE      | 80111-SAMSUNG (80111 726 7864) only from land line<br>(+30) 210 6897691 from mobile and land line |   |
| ITALIA      | 800-SAMSUNG (800.7267864)   | <a href="http://www.samsung.com/it/support">www.samsung.com/it/support</a>  |
| PORTUGAL    | 210 608 098<br>Chamada para a rede fixa nacional<br>Dias úteis das 9h às 20h                      | <a href="http://www.samsung.com/pt/support">www.samsung.com/pt/support</a>  |
| SPAIN       | 91 175 00 15  | <a href="http://www.samsung.com/es/support">www.samsung.com/es/support</a>  |





# Jääkaappi

---

## Käyttöopas

---

Kaapistoon asennettava kodinkone

**SAMSUNG**

# Sisällysluettelo

---

|   |           |
|---|-----------|
| <b>Turvallisuusohjeet</b>                                   | <b>3</b>  |
| Tärkeitä tietoja turvallisuusohjeista                       | 3         |
| Tärkeitä turvamerkintöjä ja varoitoimenpiteitä:             | 5         |
| Tärkeitä varoitoimenpiteitä                                 | 6         |
| Tärkeitä kuljetusta ja sijoituspaikkaa koskevia varoituksia | 9         |
| Tärkeitä asennukseen liittyviä varoituksia                  | 10        |
| Asennukseen liittyviä muistutuksia                          | 14        |
| Tärkeitä käyttöön liittyviä varoituksia                     | 14        |
| Käyttöön liittyviä muistutuksia                             | 19        |
| Puhdistamiseen liittyviä muistutuksia                       | 21        |
| Tärkeitä hävittämiseen liittyviä varoituksia                | 23        |
| Lisävinkkejä oikeanlaiseen käyttöön                         | 23        |
| Sähkö- ja elektroniikkalaiteromua koskevat ohjeet           | 25        |
| <b>Asentaminen</b>  | <b>26</b> |
| Jääkaapin kuvaus  | 26        |
| Vaiheittainen asennus                                       | 27        |
| <b>Toiminnot</b>  | <b>38</b> |
| Pääpaneeli  | 38        |
| SmartThings (vain soveltuvat mallit)                        | 43        |
| Säilytystiedot  | 46        |
| <b>Huolto</b>   | <b>48</b> |
| Käsittely ja huolto   | 48        |
| Puhdistaminen   | 50        |
| Vaihtaminen   | 50        |
| <b>Vianmääritys</b>   | <b>51</b> |
| Yleistä   | 51        |
| Kuuluuko jääkaapista epänormaalia ääntä?                    | 54        |
| SmartThings (vain soveltuvat mallit)                        | 56        |
| <b>Liite</b>  | <b>57</b> |
| Turvallisuusohje  | 57        |
| Asennusohje   | 57        |
| Lämpötilaohje   | 58        |
| Tiedot mallista ja varaosien tilaamisesta                   | 61        |
| <b>Open Source Announcement</b>                             | <b>62</b> |
| Open Source Announcement                                    | 62        |

# Turvallisuusohjeet

---

Ennen kuin käytät Samsungin uutta jääkaappia, lue tämä käyttöopas huolellisesti, jotta osaisit käyttää laitetta ja sen toimintoja turvallisesti ja tehokkaasti.

## Tärkeitä tietoja turvallisuusohjeista

---

- Tämän oppaan varoitukset ja turvaohjeet eivät kata kaikkia mahdollisia olosuhteita ja tilanteita. On omalla vastuullasi käyttää tervettä järkeä ja toimia varovasti ja huolellisesti, kun asennat, ylläpidät ja käytät tätä laitetta.
- Koska seuraavat käyttöohjeet koskevat useita eri malleja, oman jääkaappisi ominaisuudet saattavat poiketa jonkin verran ohjeissa kuvatuista, eivätkä kaikki varoitusmerkit välttämättä koske omaa laitettasi. Jos sinulla on jotakin kysyttävää, ota yhteyttä lähimpään huoltoliikkeeseen tai etsi ohjeita ja muita tietoja osoitteesta [www.samsung.com](http://www.samsung.com).
- Jäähdytysaineena käytetään joko R-600a:ta tai R-134a:ta. Tarkista tarvittaessa laitteen takana olevasta kompressorikyltistä tai sen sisällä olevasta tyyppikilvestä, mitä jäähdytysainetta siinä käytetään. Jos laite sisältää helposti syttyvää kaasua (jäähdytysaine R-600a), pyydä turvalliset hävitysohjeet paikallisilta viranomaisilta.
- Jääkaapin sijoitustilan koko määräytyy sen mukaisesti, kuinka paljon jäähdytysainetta laitteessa käytetään. Näin vältetään herkästi syttyvien kaasun ja ilman yhdistelmien muodostuminen, jos jäähdytyspiirissä tapahtuu vuoto.
- Laitteen huoltaminen on vaarallista, joten huollon saa tehdä vain valtuutetun huoltoliikkeen edustaja.

# Turvallisuusohjeet

---

- Älä milloinkaan käynnistä laitetta, jos se näyttää olevan jotenkin vaurioitunut. Pyydä epäselvissä tilanteissa neuvoja jälleenmyyjältä. Huoneessa on oltava 1 m<sup>3</sup> tilaa jokaista 8 grammaa laitteen sisällä olevaa R-600a-jäähdytysainetta kohden.  
Omassa laitteessasi käytetyn jäähdytysaineen määrä on kerrottu laitteen sisällä olevassa tyyppikilvessä.
- Jos jäähdytysainetta pääsee roiskumaan ulos putkista, se voi syttyä palamaan tai vaurioittaa silmiä. Jos jäähdytysainetta pääsee vuotamaan putkesta, älä käytä avotulta, siirrä kaikki herkästi syttyvät aineet pois laitteen läheisyydestä ja tuuleta tilat välittömästi.
  - Jos et noudata tätä ohjetta, seurauksena saattaa olla tulipalo tai räjähdys.
- Vältä ruokien kontaminoituminen noudattamalla seuraavia ohjeita:
  - Oven pitäminen pitkään auki voi nostaa laitteen sisäosien lämpötilaa huomattavasti.
  - Puhdista säännöllisesti ruokia koskettavat pinnat ja kaikki vedenpoistokohtat.
  - Puhdista vesisäiliöt, jos niitä ei ole käytetty 48 tuntiin: huuhtele vedensyöttöön liitetty vesijärjestelmä, jos vettä ei ole laskettu 5 päivään.
  - Säilytä raakaa lihaa ja kalaa sopivissa astioissa jääkaapissa, jotta se ei päädy kosketuksiin muiden ruokien kanssa.
  - Kahden tähden pakastuslokerot sopivat valmiiksi jäädytetyn ruoan säilyttämiseen, jäätelön tekemiseen ja säilyttämiseen sekä jääpalojen tekemiseen.

- 
- Yhden, kahden ja kolmen tähden lokerot eivät sovellu tuoreen ruoan jäädyttämiseen.
  - Jos kylmälaite jätetään tyhjäksi pitkähköksi ajaksi, katkaise sen virta, sulata, puhdista ja kuivaa se ja jätä ovi auki, jotta laitteen sisälle ei pääse muodostumaan hometta.

## **Tärkeitä turvamerkintöjä ja varotoimenpiteitä:**

---

Noudata kaikkia tässä käyttöoppaassa annettuja turvallisuusohjeita. Tässä käyttöoppaassa käytetään seuraavia turvamerkintöjä:

### **VAROITUS**

Vaarat ja vaaralliset toimenpiteet, jotka saattavat aiheuttaa vakavia henkilö- tai omaisuusvahinkoja ja/tai kuoleman.

### **HUOMIO**

Vaarat ja vaaralliset toimenpiteet, jotka saattavat aiheuttaa vakavia henkilö- ja/tai omaisuusvahinkoja.

### **HUOM.**

Hyödyllisiä jääkaapin käyttöön ja sen etuihin liittyviä tietoja.

Nämä varoitusmerkit auttavat estämään sinua ja muita loukkaantumasta.

Noudata niitä huolellisesti.

Kun olet lukenut tämän osion, pidä se tallessa tulevaa tarvetta varten.

# Turvallisuusohjeet

---

## Tärkeitä varotoimenpiteitä

---



**VAROITUS;** tulipalovaara / herkästi syttyvät aineet

### **VAROITUS**

- Varmista, että virtajohto ei ole tarttunut mihinkään tai vaurioitunut, kun asetat laitteen paikalleen.
- Älä käytä monipistorasioita tai kannettavia virtalähteitä laitteen takana.
- Pidä laitteen omat tai asennuskalusteen ilmanvaihtoaukot vapaina.
- Älä yritä nopeuttaa sulatusprosessia millään mekaanisilla laitteilla tai muillakaan sellaisilla tavoilla, joita valmistaja ei ole erikseen suositellut.
- Varo vaurioittamasta laitteen jäähdytyspiiriä.
- Älä käytä laitteen ruoansäilytystiloissa mitään muita kodinkoneita, elleivät ne ole valmistajan suosittelemaa tyyppiä.
- Tätä laitetta ei ole tarkoitettu fyysisesti tai psyykkisesti rajoittuneiden eikä kokemattomien henkilöiden (esim. lasten) käytettäväksi, ellei heidän turvallisuudestaan vastaava henkilö ole läsnä tai opastanut heitä käyttämään laitetta oikein.

- 
- Tätä laitetta saavat käyttää yli 8-vuotiaat lapset sekä fyysisesti tai psyykkisesti rajoittuneet ja kokemattomat henkilöt, jos käyttöä valvotaan tai jos heille on annettu ohjeet laitteen turvalliseen käyttöön ja he ymmärtävät käyttöön liittyvät vaarat. Lapset eivät saa leikkiä laitteella. Lapset eivät saa puhdistaa tai ylläpitää laitetta ilman valvontaa. 3–8-vuotiaat lapset saavat asettaa tuotteita kylmälaitteisiin ja poistaa tuotteita niistä.
  - Jos laitteen virtajohto on vaurioitunut, valmistajan, sen valtuuttaman huoltoliikkeen tai muun pätevän ammattilaisen on vaihdettava johto, jotta vaaratilanteilta voitaisiin välttyä.
  - Pistorasian on oltava käden ulottuvilla, jotta laite voidaan hätätilanteessa irrottaa nopeasti sähköverkosta.
    - Se ei saa olla laitteen takana.
  - Älä säilytä tässä laitteessa räjähtäviä aineita, kuten aerosolipakkauksia, joissa on tulenarkaa ponneainetta.
  - Jos käyttämässäsi laitteessa on LED-valo, älä pura lampun suojusta ja LED-valoa itse.
    - Ota yhteyttä Samsungin huoltoon.
    - Käytä vain valmistajan tai sen huoltoliikkeen toimittamia LED-valoja.
  - Jos laitteen sisä- tai ulkopuolinen LED-valo on palanut, ota yhteyttä lähimpään huoltoliikkeeseen.
  - Jotta laite hyödyntäisi kuluttamansa energian mahdollisimman tehokkaasti, kaikki sen sisällä olevat osat, esimerkiksi laatikot, lokerot ja hyllyt, tulisi pitää niissä paikoissa, joissa ne toimitettaessa olivat.
  - Laite toimii energiatehokkaimmalla tavalla, jos jätät kaikki hyllyt, laatikot ja korit alkuperäisille paikoilleen.

# Turvallisuusohjeet

---

## Energiankulutuksen minimoiminen

- Asenna laite viileisiin, kuiviin tiloihin, joissa on kunnollinen ilmanvaihto.
- Varmista, ettei laite altistu suoralle auringonvalolle. Älä milloinkaan sijoita laitetta suoran lämmönlähteen (esim. lämpöpatterin) läheisyyteen.
  - Energiansäästösyistä suosittelemme, että laitteen ilmanvaihtoaukkoja tai -ritilöitä ei tukita.
  - Anna lämpimän ruoan jäähtyä, ennen kuin laitat sen laitteen sisälle.
  - Sulata pakasteet jääkaapissa. Voit hyödyntää pakasteiden viileyttä jääkaapissa olevien ruokien viilentämiseen.
  - Älä pidä laitteen ovea auki liian kauan, kun säilöt ruokaa tai otat ruokatavaroita pois laitteesta.
  - Mitä vähemmän aikaa ovi on auki, sitä vähemmän jäätä pakastimeen muodostuu.
  - Puhdista jääkaapin takaosa säännöllisesti. Pöly lisää laitteen energiankulutusta.
  - Älä aseta lämpötilaa tarpeettoman kylmäksi.
  - Varmista riittävä ilmankierto jääkaapin pohjan ja lattian välissä sekä jääkaapin takana. Älä peitä ilmanvaihtoaukkoja.
  - Jätä vapaata tilaa laitteen vasemmalle ja oikealle puolelle, taakse sekä yläpuolelle. Tämä auttaa vähentämään energiankulutusta ja pitää sähkölaskut pienempinä.



- 
- Valitse uunin syvyydeksi 560 mm. Pienemmästä uunin syvyydestä seuraa suurempi energiankulutus.

**Tämä laite on tarkoitettu kotitalouskäyttöön ja sitä vastaaviin käyttötilanteisiin, esimerkiksi**

- kauppojen, toimistojen ja muiden työpaikkojen henkilökunnan ruokailutiloihin
- maatiloille, hotellien ja motellien asiakkaille ja muihin asuintiloja vastaaviin ympäristöihin
- majatalotyyppeihin ympäristöihin
- pitopalveluille ja muuhun ei-vähittäiskauppakäyttöön.

## **Tärkeitä kuljetusta ja sijoituspaikkaa koskevia varoituksia**

---

### **⚠ VAROITUS**

- Laitetta on kuljetettava ja se on asennettava varovasti, jotta mitkään jäähdytyspiirin osat eivät vaurioituisi.
  - Jos jäähdytysainetta pääsee vuotamaan putkesta, se voi syttyä palamaan tai vaurioittaa silmiä. Jos havaitset vuodon, älä käytä avotulta tai mitään muutakaan, mikä voi sytyttää kaasun palamaan. Tuuleta laitteen sijoitustilaa useiden minuuttien ajan.

# Turvallisuusohjeet

---

- Tässä laitteessa on pieni määrä isobutaanijäähdytysainetta (R-600a). Se on ympäristöystävällinen kaasu, mutta syttyy kuitenkin helposti palamaan. Laitetta on kuljetettava ja se on asennettava varovasti, jotta mitkään jäähdytyspiirin osat eivät vaurioituisi.

## Tärkeitä asennukseen liittyviä varoituksia

---

### VAROITUS

- Älä asenna jääkaappia kosteaan tilaan tai muuhun sellaiseen paikkaan, jossa se voi joutua kosketuksiin veden kanssa.
  - Jos laitteen elektronisten osien eristys pääsee rapistumaan, seurauksena voi olla sähköisku tai tulipalo.
- Älä altista jääkaappia suoralle auringonvalolle tai muista laitteista, esimerkiksi uuneista tai lämmittimistä säteilevälle lämmölle.
- Älä kytke useita laitteita samaan monipistorasiaan. Jääkaappi tulee aina kytkeä omaan, erilliseen pistorasiaansa, jonka nimellisjännite vastaa jääkaapin arvokilvessä mainittua jännitettä.
  - Näin laitteen suorituskyky pysyy parhaana mahdollisena eivätkä kodin virtapiirit pääse ylikuormittumaan. Ylikuormitus ylikuumentaa johdot ja tämä voi aiheuttaa tulipalon.
- Älä kytke laitteen pistoketta löysään pistorasiaan.
  - Seurauksena voi olla sähköisku tai tulipalo.

- 
- Älä käytä virtajohtoa, jos siinä tai sen jommassakummassa päässä on murtumia, kulumia tai muita vaurioita.
  - Älä taivuta virtajohtoa liikaa äläkä aseta sen päälle mitään painavia esineitä.
  - Älä vedä virtajohtoa äläkä taivuta sitä liikaa.
  - Älä väännä äläkä solmi virtajohtoa.
  - Älä ripusta johtoa minkään metalliesineen päälle äläkä aseta johdon päälle painavia esineitä tai pidä johtoa esineiden välissä. Älä myöskään työnnä johtoa laitteen takana olevaan tilaan.
  - Kun siirrät jääkaappia, varo, ettei johto pääse kiertymään tai vaurioitumaan.
    - Seurauksena saattaa olla sähköisku tai tulipalo.
  - Älä milloinkaan irrota jääkaapin virtajohtoa vetämällä johdosta. Ota aina tiiviisti kiinni pistokkeesta ja vedä se suoraan irti pistorasiasta.
    - Jos johto vaurioituu, seurauksena voi olla oikosulku, tulipalo ja/tai sähköisku.
  - Älä käytä aerosolia jääkaapin lähellä.
    - Jääkaapin lähellä käytetty aerosoli voi aiheuttaa räjähdyksen tai tulipalon.
  - Älä asenna laitetta lämmittimen tai herkästi syttyvien materiaalien lähelle.
  - Älä asenna laitetta paikkaan, jossa voi esiintyä kaasuvuotoja.
    - Seurauksena saattaa olla sähköisku tai tulipalo.
  - Jääkaappi tulee ennen käyttöä asentaa oikeanlaiseen paikkaan tässä käyttöoppaassa annettujen ohjeiden mukaisesti.

# Turvallisuusohjeet

---

- Kytke pistoke pistorasiaan oikeassa asennossa siten, että johto osoittaa alaspäin.
  - Jos kytket pistokkeen ylösalaisin, johto voi katketa ja aiheuttaa tulipalon tai sähköiskun.
- Varmista, ettei jääkaapin takaosa pääse litistämään tai vaurioittamaan pistoketta.
- Pidä pakkausmateriaalit poissa lasten ulottuvilta.
  - Lapsi voi tukehtua, jos hän laittaa pakkausmateriaalia päähänsä.
- Älä asenna laitetta kosteaan, rasvaiseen, pölyiseen tai sellaiseen paikkaan, jossa se altistuu suoralle auringonvalolle tai vedelle (esim. sadepisaroille).
  - Jos laitteen elektronisten osien eristys pääsee rapistumaan, seurauksena voi olla sähköisku tai tulipalo.
- Jos jääkaappiin on päässyt pölyä tai vettä, irrota pistoke pistorasiasta ja ota yhteyttä lähimpään Samsung Electronicsin huoltoliikkeeseen.
  - On olemassa tulipalon vaara.
- Älä seiso laitteen päällä äläkä laita sen päälle mitään esineitä (esimerkiksi pyykkiä, palavia kynttilöitä, palavia savukkeita, astioita, kemikaaleja, metalliesineitä tms.).
  - Tämä voi aiheuttaa sähköiskun, tulipalon, laitevikoja tai henkilövahinkoja.
- Kaikki suojamuovit on poistettava, ennen kuin laite kytketään pistorasiaan ensimmäistä kertaa.
- Lasten ei saa antaa leikkiä laitteen ovien säätämiseen käytettävillä lukkorenkailta eikä vesiputken kiinnittimillä.
  - Jos lapsi nielaisee lukkorenkkaan tai vesiputken kiinnittimen, hän voi tukehtua. Pidä lukkorenkkaat ja vesiputken kiinnittimet lasten ulottumattomissa.

- 
- Jääkaappi on maadoitettava turvallisesti.
    - Varmista aina ennen jääkaapin osien käsittelyä tai korjaamista, että kaappi on maadoitettu. Sähkövuodot voivat aiheuttaa vaarallisia sähköiskuja.
  - Maadoitukseen ei saa milloinkaan käyttää kaasuputkia, puhelinjohtoja tai muita mahdollisia ukkosenjohdattimia.
    - Jääkaappi on maadoitettava, jotta sähkövuotoja ei pääsisi tapahtumaan ja jotta jääkaapin vuotovirta ei aiheuttaisi sähköiskuja.
    - Tämä voi aiheuttaa sähköiskun, tulipalon, räjähdyksen tai toimintahäiriöitä.
  - Kytke pistoke tiiviisti pistorasiaan. Älä käytä vaurioitunutta pistoketta, virtajohtoa tai löysää pistorasiaa.
    - Seurauksena saattaa olla sähköisku tai tulipalo.
  - Jääkaapin sulakkeen saa vaihtaa vain ammattitaitoinen asentaja tai huoltoliike.
    - Jos et noudata tätä ohjetta, seurauksena saattaa olla sähköisku tai henkilövahinkoja.
  - Tämä laite on kaapistoon asennettava malli, joka edellyttää ohjattua ilmanvaihtoa. Varmista tilojen ilmanvaihto räjähdysvaaran välttämiseksi.
  - Jääkaapin sulakkeen saa vaihtaa vain ammattitaitoinen asentaja tai huoltoliike. Jos et noudata tätä ohjetta, seurauksena saattaa olla sähköisku tai henkilövahinkoja.

# Turvallisuusohjeet

---

## Asennukseen liittyviä muistutuksia

---

### **HUOMIO**

- Jätä riittävästi tilaa jääkaapin ympärille ja asenna se tasaiselle pinnalle.
  - Jos jääkaappi ei ole suorassa, sen jäähdytysteho saattaa heiketä ja käyttöikä lyhentyä.
- Anna laitteen jäähtyä 2–3 tuntia asennuksen ja käynnistämisen jälkeen, ennen kuin täytät sen ruokatarvikkeilla.
- Suosittelemme, että asennutat jääkaapin ammattitaitoisella asentajalla tai huoltoliikkeellä.
  - Jos et noudata tätä ohjetta, seurauksena saattaa olla sähköisku, tulipalo, räjähdys, laitevaurio tai henkilövahinkoja.

## Tärkeitä käyttöön liittyviä varoituksia

---

### **VAROITUS**

- Älä kytke pistoketta pistorasiaan kostein käsin.
  - Tämä voi aiheuttaa sähköiskun.
- Älä säilytä laitteen päällä mitään esineitä.
  - Kun avaat tai suljet oven, laitteen päällä olevat esineet voivat pudota ja aiheuttaa henkilö- ja/tai omaisuusvahinkoja.
- Älä työnnä käsiäsi, jalkojasi tai metalliesineitä (esimerkiksi ruokailuvälineitä) jääkaapin alle tai taakse.
  - Tämä voi aiheuttaa sähköiskun tai vahinkoja.
  - Terävät reunat voivat aiheuttaa henkilövahinkoja.

- 
- Älä koske pakastimen sisäseinämiä tai pakasteita kostein käsin.
    - Voit saada paleltuman.
  - Älä aseta vettä sisältäviä astioita jääkaapin päälle.
    - Veden läikkyminen voi aiheuttaa sähköiskun tai tulipalon.
  - Älä säilytä jääkaapissa tulenarkoja tai helposti syttyviä materiaaleja tai aineita (bentseeniä, ohentimia, propaanikaasua, alkoholia, eetteriä, nestekaasua tms.).
    - Jääkaappi on tarkoitettu vain ruoan säilyttämiseen.
    - Seurauksena saattaa olla tulipalo tai räjähdys.
  - Lasten ei saa antaa leikkiä laitteella.
    - Pidä sormet poissa paikoista, joihin ne voivat jäädä puristuksiin. Ovien ja kaappien väliset alueet ovat tarkoituksellisesti ahtaita. Ole varovainen ovia avatessasi, jos lähistöllä on lapsia.
  - Sormia ei saa laittaa ovien väliin. Varmista, etteivät lapsetkaan tee niin.
    - Sormia ei saa laittaa oven vasemmalla ja oikealla puolella oleviin rakoihin. Ole varovainen ovia avatessasi, jos sormesi ovat ovien välissä.
  - Älä anna lasten roikkua ovesa tai sen lokeroissa. Seurauksena voi olla vakavia henkilövahinkoja.
  - Älä päästä lapsia jääkaapin sisälle. He voivat jäädä sinne loukkuun.
  - Älä laita käsiäsi laitteen pohjan alle.
    - Terävät reunat voivat aiheuttaa henkilövahinkoja.

# Turvallisuusohjeet

---

- Älä säilytä jääkaapissa lääkkeitä, tieteellistä tutkimusmateriaalia tai tiettyä säilytyslämpötilaa edellyttäviä aineita.
  - Tarkkaa lämpötilanhallintaa edellyttäviä aineita ei saa säilyttää jääkaapissa.
- Jos havaitset kemiallisten aineiden hajua tai savua, irrota pistoke välittömästi pistorasiasta ja ota yhteyttä lähimpään Samsung Electronicsin huoltoliikkeeseen.
- Jos jääkaappiin on päässyt pölyä tai vettä, irrota pistoke pistorasiasta ja ota yhteyttä lähimpään Samsung Electronicsin huoltoliikkeeseen.
  - On olemassa tulipalon vaara.
- Älä anna lasten astua lokeroiden päälle.
  - Lokerot voivat mennä rikki ja lapsi saattaa liukastua.
- Älä jätä jääkaapin ovia auki, kun kukaan ei ole valvomassa laitetta, äläkä anna lasten mennä jääkaapin sisälle.
- Älä anna lasten mennä laitteen lokeroiden sisälle.
  - Lapsi voi satuttaa itsensä tai tukehtua, jos hän ei pääse pois laitteen sisältä.
- Älä laita jääkaappiin liikaa ruokaa.
  - Kun avaat oven, laitteessa olevat tavarat saattavat pudota ja aiheuttaa henkilö- tai omaisuusvahinkoja.
- Älä ruiskuta laitteen pinnalle mitään tulenarkoja aineita, esimerkiksi hyönteismyrkkyä.
  - Paitsi että tällaiset aineet ovat haitallisia terveydelle, ne voivat myös aiheuttaa sähköiskun, tulipalon tai toimintahäiriöitä.



- 
- Älä käytä tai säilytä jääkaapin läheisyydessä tai sen sisällä mitään lämpötilaherkkiä aineita, esim. herkästi syttyviä suihkeita tai materiaaleja, hiilihappojäätä, lääkeaineita tai kemikaaleja.
  - Älä kuivaa jääkaapin sisätiloja hiustenkuivaimella. Älä poista jääkaappiin mahdollisesti muodostuneita hajuja palavien kynttilöiden avulla.
    - Seurauksena saattaa olla sähköisku tai tulipalo.
  - Älä seiso laitteen päällä äläkä laita sen päälle mitään esineitä (esimerkiksi pyykkiä, palavia kynttilöitä, palavia savukkeita, astioita, kemikaaleja, metalliesineitä tms.). Tämä voi aiheuttaa sähköiskun, tulipalon, laitevikoja tai henkilövahinkoja. Älä aseta vettä sisältäviä astioita laitteen päälle.
    - Veden läikkyminen voi aiheuttaa sähköiskun tai tulipalon.
  - Älä milloinkaan katso pitkään laitteen ultravioletti-LED-valoon.
    - Ultraviolettisäteet voivat rasittaa silmiä.
  - Älä aseta hyllyjä ylösalaisin. Hyllyjen pysäyttimet eivät saata toimia.
    - Lasihylly voi pudotessaan aiheuttaa henkilövahinkoja.
  - Jos havaitset kaasuvuodon, älä käytä avotulta tai mitään muutakaan, mikä voi sytyttää kaasun palamaan. Tuuleta laitteen sijoitustilaa useiden minuuttien ajan.
    - Älä koske laitteeseen tai virtajohtoon.
    - Älä käytä tuuletinta.
    - Kipinät voivat aiheuttaa räjähdyksen tai tulipalon.
  - Pullot tulisi pitää mahdollisimman lähellä, jotta ne eivät pääsisi putoamaan.

# Turvallisuusohjeet

---

- Tämä laite on tarkoitettu vain ruoan säilyttämiseen kotikäytössä.
- Älä korjaa, pura tai muuntele jääkaappia itse.
  - Luvattomat muutokset voivat aiheuttaa turvallisuusongelmia. Jos joudumme korjaamaan luvattomia muutoksia, laskutamme osista ja työtunneista täyden hinnan.
- Käytä vain tavallisia sulakkeita (kupari- tai rautalankaa yms. ei saa käyttää).
- Jos jääkaappi täytyy korjata tai asentaa uudelleen, ota yhteyttä lähimpään huoltoliikkeeseen.
  - Jos et noudata tätä ohjetta, seurauksena saattaa olla sähköisku, tulipalo, toimintahäiriö tai henkilövahinkoja.
- Jos laite haisee palaneelle tai siitä tulee savua, irrota pistoke pistorasiasta välittömästi ja ota yhteyttä lähimpään Samsung Electronicsin huoltoliikkeeseen.
  - Jos et noudata tätä ohjetta, seurauksena voi olla sähköisku tai tulipalo.
- Irrota pistoke pistorasiasta ennen jääkaapin sisävalon vaihtamista.
  - Muutoin voit saada sähköiskun.
- Jos sinulla on vaikeuksia vaihtaa muu kuin LED-valo, ota yhteyttä Samsungin huoltoon.
- Kytke pistoke tiiviisti pistorasiaan.
- Älä käytä vaurioitunutta pistoketta, virtajohtoa tai löysää pistorasiaa.
  - Seurauksena saattaa olla sähköisku tai tulipalo.

---

## Käyttöön liittyviä muistutuksia

---

### HUOMIO

- Älä pakasta sulanutta ruokaa uudelleen.
  - Sulatettuihin pakasteisiin muodostuu haitallisia bakteereita nopeammin kuin tuoreeseen ruokaan.
  - Toinen sulatus rikkoo soluja vielä lisää, jolloin nestettä poistuu ruoasta ja sen rakenne muuttuu.
- Älä sulata lihaa huoneenlämmössä.
  - Turvallisuus riippuu siitä, onko raakaa tuotetta käsitelty oikein.
- Älä laita lasipulloja tai hiilihapollisia juomia pakastimeen.
  - Astia saattaa jäätyä ja aiheuttaa rikkoutuessaan henkilövahinkoja.
- Käytä vain jääkaapin mukana toimitettua jääpalakonetta.
- Jotta laitteen suorituskyky olisi paras mahdollinen:
  - Älä aseta ruokia liian lähelle jääkaapin takaosan ilmanvaihtoaukkoja, sillä jääkaapin sisäinen ilmanvaihto saattaa estyä.
  - Kääri ruoat oikeanlaisiin pakkauksiin tai käytä ilmatiiviitä rasioita, ennen kuin laitat ruokatavaroita jääkaappiin.
  - Kiinnitä huomiota pakastettavien ruokien enimmäissäilytysaikoihin ja viimeisiin käyttöpäiviin.

# Turvallisuusohjeet

---

- Jääkaapin johtoa ei tarvitse irrottaa pistorasiasta, jos olet poissa alle kolme viikkoa. Jos kuitenkin olet poissa yli kolme viikkoa, poista laitteesta kaikki ruoat ja jääsäiliön jää, irrota pistoke pistorasiasta, sulje vesiventtiili, pyyhi ylimääräinen kosteus pois laitteen sisäseinämiltä ja jätä ovet auki, jottei laitteeseen muodostuisi pahaa hajua tai hometta.
- Takuu ja muutokset.
  - Samsungin takuu ei kata mitään ulkopuolisten tähän kodinkoneeseen tekemiä muutoksia eikä Samsung ole vastuussa mistään sellaisista turvallisuuteen liittyvistä ongelmista, joita ulkopuolisten tekemät muutokset voivat aiheuttaa.
- Jääkaapin sisällä olevia ilmanvaihtoaukkoja ei saa tukkia.
  - Jos jääkaapin ilmanvaihtoaukot tukitaan - erityisesti muovipussilla - kaappi saattaa viiletä liikaa.
- Pyyhi laitteen sisältä pois kaikki ylimääräinen kosteus ja jätä ovet auki.
  - Muutoin laitteen sisälle voi muodostua pahaa hajua tai hometta.
- Jos jääkaappi irrotetaan sähköverkosta, on odotettava vähintään 5 minuuttia, ennen kuin se kytketään verkkoon uudelleen.
- Jos jääkaappi kastuu, irrota pistoke pistorasiasta ja ota yhteyttä lähimpään Samsung Electronicsin huoltoliikkeeseen.
- Älä kohdistas lasipintoihin iskuja tai liikaa voimaa.
  - Jos lasi menee rikki, se voi aiheuttaa henkilö- ja/tai omaisuusvahinkoja.
- Varo, etteivät sormesi juutu laitteen osiin.

- 
- Jos jääkaappi vuotaa, ota yhteyttä lähimpään huoltoliikkeeseen.
    - Vaarana voi olla sähköisku tai tulipalo.
  - Älä säilytä kasviöljyä jääkaapin ovilokeroissa. Öljy saattaa jähmettyä, jolloin siitä tulee pahanmakuista ja sitä on hankala käyttää. Lisäksi avonainen pullo voi vuotaa, ja ovilokero saattaa murtua vuotaneen öljyn vaikutuksesta. Kun öljypullo on avattu, sitä pitäisi säilyttää viileässä paikassa suojassa auringonvalolta, esimerkiksi kaapissa tai ruokakomerossa.
    - Kasviöljyjä ovat oliiviöljy, maissiöljy, rypsiöljy yms.

## Puhdistamiseen liittyviä muistutuksia

---

### HUOMIO

- Älä suihkuta vettä suoraan jääkaapin sisä- tai ulkopinnoille.
  - Vaarana voi olla tulipalo tai sähköisku.
- Älä kuivaa jääkaapin sisätiloja hiustenkuivaimella.
- Älä poista jääkaappiin mahdollisesti muodostuneita hajuja palavien kynttilöiden avulla.
  - Seurauksena saattaa olla sähköisku tai tulipalo.
- Älä ruiskuta puhdistusainetta suoraan laitteen näyttöön.
  - Näyttöön painetut tekstit saattavat kuluja pois.
- Jos laitteen sisälle on päässyt jotakin sinne kuulumatonta ainetta, esimerkiksi vettä, irrota virtajohto pistorasiasta ja ota yhteyttä lähimpään huoltoliikkeeseen.
  - Jos et noudata tätä ohjetta, seurauksena saattaa olla sähköisku tai tulipalo.

# Turvallisuusohjeet

---

- Poista lika ja pöly pistokkeen piikeistä puhtaalla, kuivalla liinalla. Älä käytä pistokkeen puhdistamiseen märkää tai kosteaa liinaa.
  - Muutoin seurauksena voi olla tulipalo tai sähköisku.
- Älä puhdista laitetta suihkuttamalla sen päälle vettä.
- Älä käytä puhdistamiseen bentseeniä, ohennusaineita, Cloroxia tai kloridia.
  - Ne voivat vaurioittaa laitteen pintaa ja aiheuttaa tulipalon.
- Irrota laitteen virtajohto pistorasiasta ennen puhdistamista ja huoltoa.
  - Jos et noudata tätä ohjetta, seurauksena saattaa olla sähköisku tai tulipalo.
- Puhdista jääkaappi lämpimään veteen kastetulla puhtaalla pesusienellä tai puhdistusliinalla ja miedolla puhdistusaineella.
- Älä käytä laitteen ulkopintoihin (ovet ja runko), muoviosiin, ovi- ja sisäpintoihin ja tiivisteisiin hankaavia tai voimakkaita puhdistusaineita, kuten ikkunasuihkeita, hankausaineita, tulenarkoja nesteitä, suolahappoa, puhdistusvaahtoa, pesutiivisteitä, valkaisuaineita tai öljypitoisia puhdistusaineita.
  - Tällaiset aineet voivat vaurioittaa pintoja.
- Älä puhdista lasihyllyjä tai -suojuksia lämpimällä vedellä niiden ollessa kylmiä. Lasihyllyt ja -suojukset voivat mennä rikki äkillisten lämpötilanvaihtelujen vuoksi tai jos ne iskeytyvät johonkin tai putoavat.

---

## Tärkeitä hävittämiseen liittyviä varoituksia

---

### VAROITUS

- Hävitä laitteen pakkausmateriaalit ympäristöystävällisellä tavalla.
- Ennen kuin hävität laitteen, varmista, etteivät mitkään jääkaapin takana olevista putkista ole rikki.
- Kun hävität jääkaappia, irrota ovet sekä niiden tiivisteet ja salvat, jotta lapset tai eläimet eivät voisi jäädä loukkuun kaapin sisään. Lasten ei saa antaa leikkiä laitteella. Jos lapsi juuttuu laitteen sisään, hän voi satuttaa itsensä tai tukehtua kuoliaaksi.
  - Jos lapsi juuttuu laitteen sisään, hän voi saada vammoja tai tukehtua kuoliaaksi.
- Laitteen eristykseen on käytetty syklopentaania. Eristysmateriaalin kaasut edellyttävät erityiskäsittelyä, kun laite hävitetään. Pyydä ympäristön kannalta turvalliset hävitysohjeet paikallisilta viranomaisilta.
- Pidä kaikki pakkausmateriaalit poissa lasten ulottuvilta, sillä ne saattavat olla vaarallisia lapsille.
  - Jos lapsi laittaa pussin päähänsä, hän saattaa tukehtua.

## Lisävinkkejä oikeanlaiseen käyttöön

---

- Selvitä sähkökatkoksen sattuessa sähkölaitokselta, kuinka kauan katkos tulee kestämään.
  - Jos katkos kestää enintään tunnin tai pari, se ei tavallisesti vaikuta jääkaapin lämpötilaan. Vältä kuitenkin laitteen ovien avaamista sähkökatkoksen aikana.

# Turvallisuusohjeet

---

- Jos sähkökatkos kestää yli 24 tuntia, poista ja hävitä kaikki pakasteet.
- Jääkaappi saattaa toimia epävakaasti (pakasteet voivat sulaa tai pakastimen sisälämpötila nousta liikaa), jos sitä säilytetään pitkän aikaa alemmassa kuin sille tarkoitettussa lämpötilassa.
- Joidenkin ruoka-aineiden säilyttäminen jääkaapissa voi niiden ominaisuuksien vuoksi vaikuttaa haitallisesti niiden säilyvyyteen.
- Laite on jäätymätön, joten sitä ei tarvitse sulattaa erikseen. Tämä tehdään automaattisesti.
- Lämpötilan kohoaminen sulatuksen aikana vastaa ISO-vaatimuksia. Jos haluat välttää pakasteiden turhan lämpenemisen sulatuksen aikana, kääri pakasteet useampaan kerrokseen sanomalehtipaperia.
- Älä pakasta täysin sulaneita ruokia uudelleen.
- Kahden tähden osioissa tai kahdella tähtimerkillä (\*\*) merkityillä alueilla lämpötila on hieman korkeampi kuin pakastimen muissa osissa. Kahden tähden osiot tai alueet perustuvat ohjeisiin ja olosuhteisiin.



## Sähkö- ja elektroniikkalaiteromua koskevat ohjeet



Tuotteen turvallinen hävittäminen (elektroniikka ja sähkölaitteet)  
(Jätteiden lajittelua käyttävät maat)

Oheinen merkintä tuotteessa, lisävarusteissa tai käyttöohjeessa merkitsee, että tuotetta tai lisävarusteina toimitettavia sähkölaitteita (esim. laturia, kuulokkeita tai USB-kaapelia) ei saa hävittää kotitalousjätteen mukana niiden käyttöiän päätyttyä. Virheellisestä jätteenkäsittelystä ympäristölle ja terveydelle aiheutuvien haittojen välttämiseksi tuote ja lisävarusteet on eroteltava muusta jätteestä ja kierrätettävä kestävän kehityksen mukaista uusiokäyttöä varten.

Kotikäyttäjät saavat lisätietoja tuotteen ja lisävarusteiden turvallisesta kierrätyksestä ottamalla yhteyttä tuotteen myyneeseen jälleenmyyjään tai paikalliseen ympäristöviranomaiseen.

Yrityskäyttäjien tulee ottaa yhteyttä tavarantoimittajaan ja selvittää hankintasopimuksen ehdot. Tuotetta tai sen lisävarusteita ei saa hävittää muun kaupallisen jätteen seassa.

Lisätietoja Samsungin ympäristösitoumuksista ja tuotekohtaisista lainsäädännöllisistä velvollisuuksista (esim. REACH ja WEEE tai akut) on kestävää toimintaa koskevalla sivulla sivustossamme [www.samsung.com](http://www.samsung.com)

(Koskee vain Euroopassa ja Yhdistyneessä kuningaskunnassa myytäviä tuotteita)

# Asentaminen

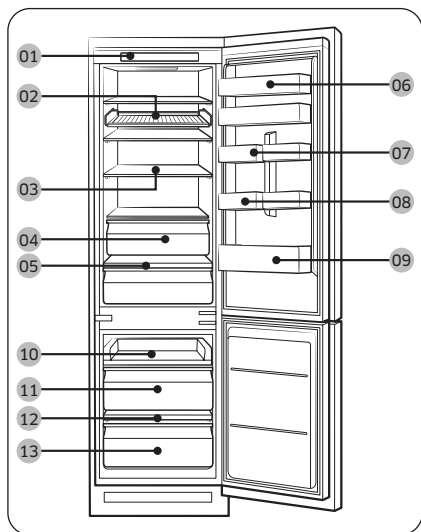
Jääkaappi on vahinkojen välttämiseksi asennettava tarkalleen näiden ohjeiden mukaisesti.

## ⚠ VAROITUS

- Käytä jääkaappia tässä oppaassa kuvatulla tavalla ja vain siihen tarkoitukseen, johon laite on suunniteltu.
- Huoltotyöt saa tehdä vain ammattitaitoinen asentaja.
- Hävitä laitteen pakkausmateriaalit paikallisten määräysten mukaisesti.
- Sähköiskujen välttämiseksi virtajohto on irrotettava pistorasiasta ennen huoltoa tai varaosien vaihtoa.

## Jääkaapin kuvaus

Jääkaapin mukana toimitetut osat saattavat mallista tai käyttömaasta riippuen olla erilaisia kuin kuvassa.



- 01 Käyttöpaneeli
  - 02 Viinihylly \*
  - 03 Jääkaapin hylly \*
  - 04 Jääkaapin lokero\*
  - 05 Vihanneshylly\*
  - 06 Ylin ovilokero \*
  - 07 Monitoimiovilokero
  - 08 Munateline \*
  - 09 Jääkaapin ovilokero
  - 10 Liukuva hylly
  - 11 Pakastimen keskilokero
  - 12 Pakastimen hylly \*
  - 13 Pakastimen alalokero
- \* vain soveltuviissa malleissa

## 📖 HUOM.

- Energiatohokkuussyistä hyllyt, lokerot ja laatikot tulee säilyttää alkuperäisillä paikoillaan.
- Vain mallit, joissa on pakastinhylly:
  - Jos haluat pakastaa suuren määrän ruokaa nopeasti, käytä pakastinta poistettuasi pakastimen alalokeron.
  - Saadaksesi lisää tilaa voit poistaa liukuvan hyllyn (10) ja kaksi sen alla olevaa pakastimen laatikkkoa (11,13) mutta pidä pakastimen alalokeron päällä oleva hylly. Ne eivät vaikuta laitteen mekaanisiin ja lämpötekniisiin ominaisuuksiin. Ilmoitettu pakastustilan määrä on laskettu hylly ja laatikot poistettuina.

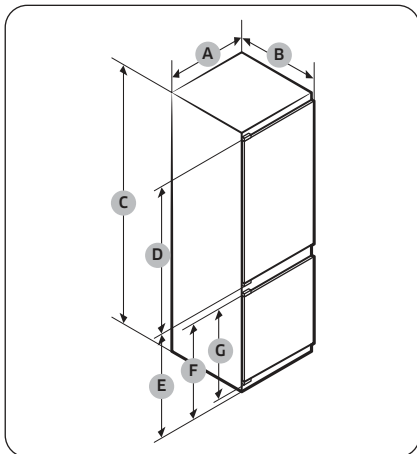
## Vaiheittainen asennus

### VAIHE 1 Valitse asennuspaikka

Asennuspaikkaa koskevat vaatimukset:

- Kestävä, tasainen pinta ilman mattoa tai sellaisia lattiamateriaaleja, jotka voivat estää ilmanvaihdon.
- Etäällä suorasta auringonvalosta.
- Riittävästi tilaa oven avaamiseen ja sulkemiseen.
- Kaukana lämmönlähteistä.
- Riittävästi tilaa huoltotöille.

Laitteen mitat

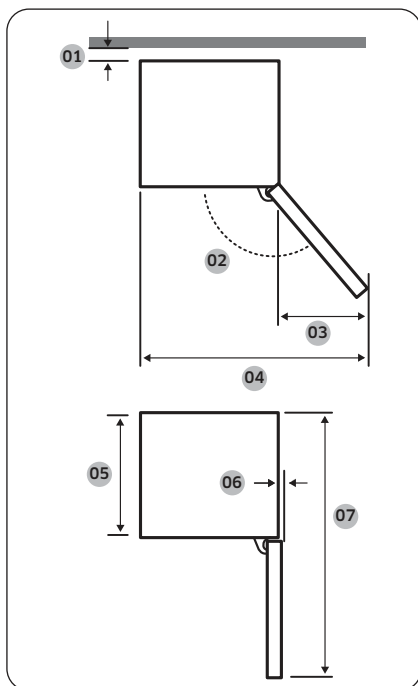


|   | BRB***26'             | BRB***30'             |
|---|-----------------------|-----------------------|
| A | 540 ± 2               | 540 ± 2               |
| B | 550 ± 2 (oven kanssa) | 550 ± 2 (oven kanssa) |
| C | 1775 ± 2              | 1935 ± 2              |
| D | 987                   | 1147                  |
| E | 735                   | 735                   |
| F | 671                   | 671                   |
| G | 621                   | 621                   |

(yksikkö: mm)

# Asentaminen

## Tuotteen yleiset mitat



| Malli | BRB*****SO<br>LIUKUVA TYYPPI   | BRB*****FO<br>KIINTEÄ TYYPPI |
|-------|--------------------------------|------------------------------|
| 01 *  | 10 (vähintään) / 30 (suositus) |                              |
| 02    | 95° (suositus)                 | 115° (suositus)              |
| 03    | 218                            | 180                          |
| 04    | 758                            | 700                          |
| 05    | 510                            | 510                          |
| 06    | 1                              | 5                            |
| 07    | 1055                           | 1055                         |

\* 01: Asennuskalusteesta tuotteen takareunaan  
(yksikkö: mm)

### HUOM.

- Ilmoitettu energiankulutus perustuu oletukseen 10 mm:n aukosta asennuskalusteen ja tuotteen takareunan välillä. Tuote toimii oikein, vaikka aukko olisi alle 10 mm. Se kuluttaa silloin kuitenkin hieman enemmän energiaa.
- Suosittelemme käyttämään 18 mm:n paksuista asennuskalustetta, jonka saranat ovat alle 20 mm paksut.

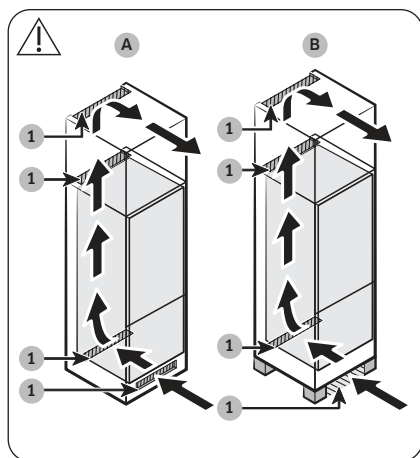
### HUOM.

- Yllä olevassa taulukossa mainitut mitat voivat vaihdella mittaustavasta riippuen.
- Kalusteiden sisään asentamista varten, katso Asennusohje.

## Asennuskalusteiden ilmanvaihtojärjestelmä

Kuten kuvasta näkyy, jääkaappiin menevä ilma kiertää asennuskalusteiden ilmanvaihtoreittiä pitkin (ks. nuolen suunta). Asennuskalusteissa on oltava vähintään 200 cm<sup>2</sup> (L x K: 500 mm x 40 mm) tilaa ilmanotolle ja ilmanpoistolle. Asennuskalusteiden takana alhaalla on lisäksi oltava vähintään 200 cm<sup>2</sup>:n (L x K: 500 mm x 40 mm) kokoinen ilmanvaihtoaukko.

Ilmanotto

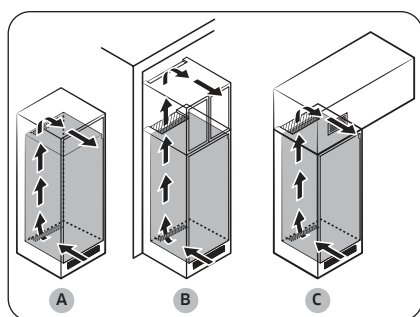


|   |                     |
|---|---------------------|
| 1 | 200 cm <sup>2</sup> |
|---|---------------------|

Ilmanotto on sijoitettava seuraavien esimerkkien mukaisesti tai vastaavassa paikassa asennuskalusteiden tyyppin mukaan.

- A. Asennuskalusteissa on ilmanvaihtoaukko.
- B. Asennuskalusteissa on jalat.

Ilmanpoisto



Ilmanpoiston on sijoitettava seuraavien esimerkkien mukaisesti tai vastaavassa paikassa asennuskalusteiden tyyppin mukaan.

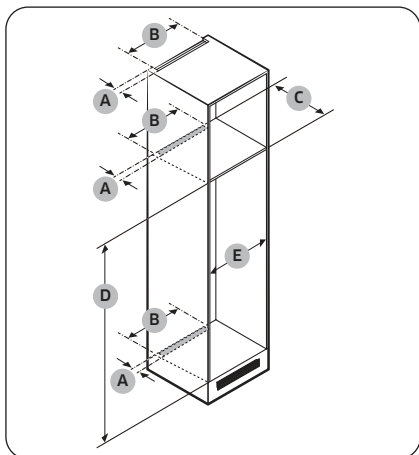
- A. suoraan jääkaappin päälle, kun käytetään valinnaista ilmanvaihtoritiliä
- B. asennuskalusteiden katon tuntumaan
- C. jääkaappin yläpuolelle, kun käytetään erillistä, sisäänrakennettua ilmanvaihtoaukkoa.

### HUOMIO

Kalusteratkaisusta riippumatta mikään rakenne ei saa tukkia ilmavaihtojärjestelmää.

# Asentaminen

## Asennuskalusteen mitat



### ⚠ HUOMIO

Jos asennuskalusteesta on ovi, sen ei tulisi olla liian painava, jottei se pääsisi putoamaan tai kaatumaan.

| Asennuskalusteen ovi | Paksuus (mm) | Paino (kg) |
|----------------------|--------------|------------|
| Jääkaappipuoli       | Väh. 16      | Enint. 18  |
| Pakastinpuoli        | Enint. 19    | Enint. 12  |

Takuu ei kata seuraavista syistä johtuvia laitevikoja:

1. vääränlaiset asennusolosuhteet tai vääränkokoinen asennuskaluste
2. viallinen asennuskaluste
3. asentajan tai käyttäjän tekemät virheet.

## Vapaa tila

Tarkista asennuksen tilavaatimukset alla olevista kuvista ja taulukosta.

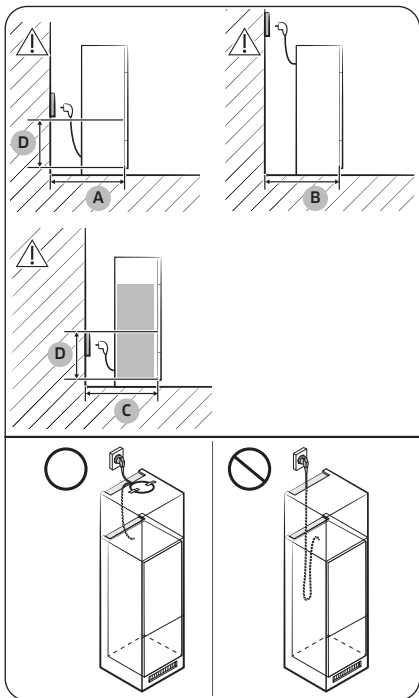
| Malli                          |          | A (mm) | B (mm) | C (mm) | D (mm) | E (mm) | Huomautus     |
|--------------------------------|----------|--------|--------|--------|--------|--------|---------------|
| BRB***26**S0<br>LIUKUVA TYYPPI | Väh.     | 40     | 500    | 560    | 1778   | 560    |               |
|                                | Suositus |        |        | 580    | 1780   | 562    |               |
|                                | Enint.   |        |        | -      | 1782   | 568    |               |
| BRB***26**F0<br>KIINTEÄ TYYPPI | Väh.     | 40     | 500    | 560    | 1778   | 555    | Sarana: 17 mm |
|                                | Suositus |        |        | 580    | 1780   | 562    |               |
|                                | Enint.   |        |        | -      | 1782   | 568    |               |
| BRB***30**S0<br>LIUKUVA TYYPPI | Väh.     | 40     | 500    | 560    | 1938   | 560    |               |
|                                | Suositus |        |        | 580    | 1940   | 562    |               |
|                                | Enint.   |        |        | -      | 1942   | 568    |               |
| BRB***30**F0<br>KIINTEÄ TYYPPI | Väh.     | 40     | 500    | 560    | 1938   | 555    | Sarana: 17 mm |
|                                | Suositus |        |        | 580    | 1940   | 562    |               |
|                                | Enint.   |        |        | -      | 1942   | 568    |               |

### 📖 HUOM.

- Jos asennuskalusteen leveys on yli 568 mm, tiiviste (jääkaapin ja asennuskalusteen välissä) voi löystyä.

- Jos asennuskaluste on maksimittaa (1782 mm) korkeampi, aukko on täytettävä muilla päällystemateriaaleilla.

#### Pistorasian sijainti ja tarvittava tila



|   |          |
|---|----------|
| A | Väh. 590 |
| B | Väh. 560 |
| C | Väh. 580 |
| D | 240      |

(yksikkö: mm)

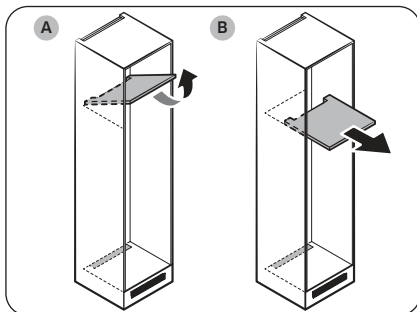
#### **HUOM.**

Varmista, että virtajohto on asetettu siististi kaapin molemmille puolille ennen kuin kytket sitä pistorasiaan, jos asennat jääkaapin kalusteeseen, jonka syvyys on 560 mm. Jos virtajohto on jääkaapin takaosan puolella, se voi vähentää laitteen kokonaistehokkuutta merkittävästi.

# Asentaminen

## Asennuskalusteen tyyppi

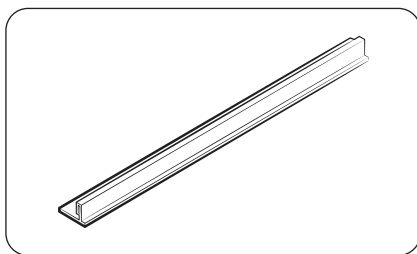
Suosittelut asennuskalustetyypit:



### HUOM.

Jos käytät tämäntyyppistä asennuskalustetta, laitetta ei tarvitse poistaa asennuskalusteesta, jos sen pääpiirilevy täytyy huoltaa. Jos asennuskaluste on toisentyyppinen, laite on poistettava kalusteesta, kun se huolletaan.

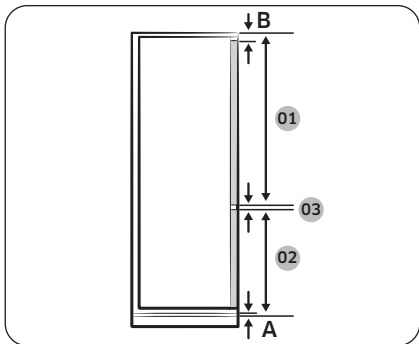
- A. Käännettävä tyyppi
- B. Liu'utettava tyyppi



### HUOM.

- Jos kaappi ei ole suosittelun kokoinen, jääkaapin ja kaapin välinen tiiviste saattaa löystyä, kun jääkaappi asetetaan kaappiin.





#### HUOM.

Jos asennat kaappia, joka edellyttää 3 mm:n rakoa (03), katso tiedot alla olevasta taulukosta.

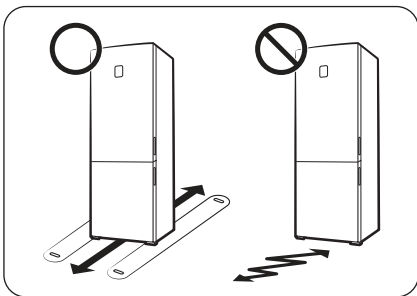
| Malli | BRB***26**S0<br>LIUKUVA TYYPPI              | BRB***26**F0<br>KIINTEÄ TYYPPI |
|-------|---|--------------------------------|
| 01    | Väh. 1041+B<br>Enint. 1102+B                | Väh. 1063+B<br>Enint. 1076+B   |
| 02    | Väh. 670+A<br>Enint. 731+A                  | Väh. 696+A<br>Enint. 709+A     |
| 03    | 3 mm<br>(jääkaapin ja pakastimen oven rako) |                                |

| Malli | BRB***30**S0<br>LIUKUVA TYYPPI              | BRB***30**F0<br>KIINTEÄ TYYPPI |
|-------|---|--------------------------------|
| 01    | Väh. 1204+B<br>Enint. 1262+B                | Väh. 1223+B<br>Enint. 1236+B   |
| 02    | Väh. 670+A<br>Enint. 731+A                  | Väh. 696+A<br>Enint. 709+A     |
| 03    | 3 mm<br>(jääkaapin ja pakastimen oven rako) |                                |

- A. Etupaneelin alareuna ilmanvaihtoaukon yläpuolella
- B. Etupaneelin pidennys

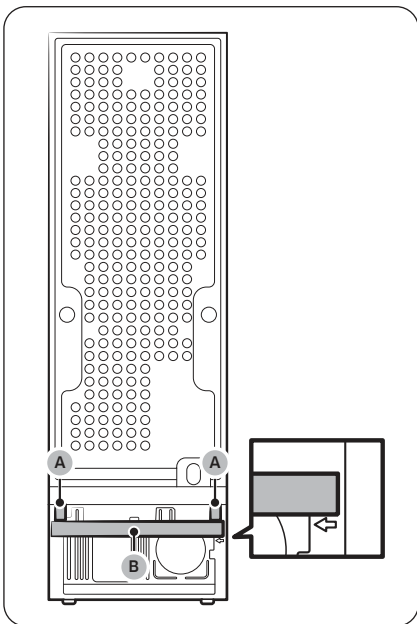
# Asentaminen

## VAIHE 2 Lattia



- Jääkaapin asennusalustan on kestävä täyden jääkaapin paino.
- Voit suojata lattiaa asettamalla suuren pahvinpalan jääkaapin jalkojen alle.
- Kun jääkaappi on lopullisella paikallaan, älä siirrä sitä, jollei se ole välttämätöntä. Tämä on tärkeää lattian suojaamiseksi. Voit tarvittaessa käyttää paksua paperia tai kangasta (esimerkiksi vanhaa mattoa) siirtoalueen suojana.

## VAIHE 3 Välikappaleet (vain soveltuvissa malleissa)



Kiinnitä pakkauksen mukana toimitetut välikappaleet (A) ja sieni (B) kuvan mukaisesti, jotta energiatehokkuus on optimaalinen.

### ⚠ HUOMIO

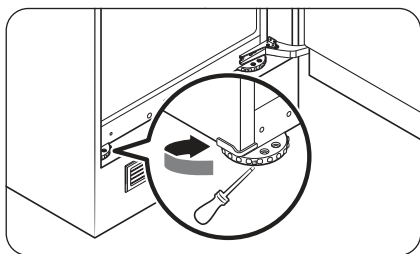
Jos jääkaappi ei ole samassa tasossa asennuskalusteen kanssa, voit leikata välikappaleita saadaksesi sen samalle tasolle, mutta tällöin optimaalista energiatehokkuutta ei voida taata.

## VAIHE 4 Säädä säätöjalkoja

### ⚠ HUOMIO

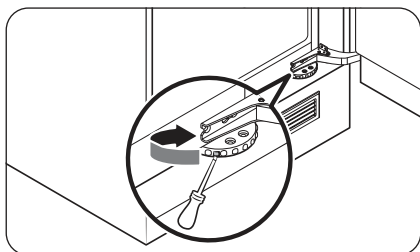
- Jääkaappi on tasapainotettava tasaiselle, kestäväälle lattialle. Jos et noudata tätä ohjetta, jääkaappi voi vaurioitua tai aiheuttaa henkilövahinkoja.
- Jääkaapin on oltava tyhjä tasapainottamisen aikana. Varmista, ettei jääkaapin sisällä ole ruokaa.

Jääkaappi voidaan tasapainottaa käyttämällä etujaloissa olevaa tasapainotusruuvia (säädintä). Tee tasapainotus litteäpäisellä ruuvimeisselillä.



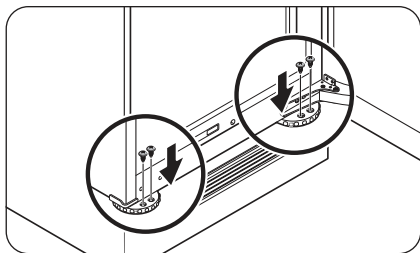
### Vasemman puolen korkeuden säätäminen:

Aseta litteäpäinen ruuvimeisseli vasemman puolen etujalan säätimeen. Voit nostaa korkeutta kääntämällä säädintä myötäpäivään ja laskea sitä kääntämällä säädintä vastapäivään.



### Jääkaapin oikean puolen korkeuden säätäminen:

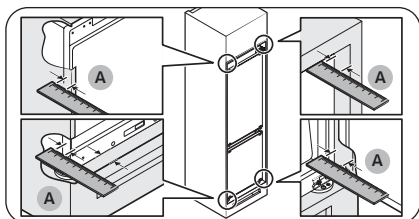
Aseta litteäpäinen ruuvimeisseli oikean puolen etujalan säätimeen. Voit nostaa korkeutta kääntämällä säädintä myötäpäivään ja laskea sitä kääntämällä säädintä vastapäivään.



### 📖 HUOM.

Jätä (A: sekä liukuvalle että kiinteälle saranalle) 41 mm:n rako jääkaapin ja asennuskalusteen tai syvennyksen väliin. Kiinnitä tämän jälkeen etujalat ruuveilla.

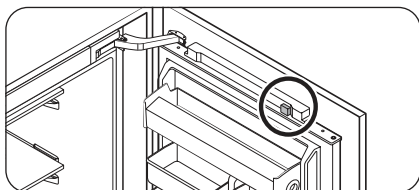
# Asentaminen



## VAIHE 5 Käyttöönotto

Seuraavien vaiheiden jälkeen jääkaapin tulisi olla täydessä toimintakunnossa.

1. Poista hyllyjä kuljetuksen ajaksi suojaamaan laitetut pehmustetyynyt hyllyjen kaikista nurkista.
2. Avaa ovi ja varmista, että sisävalo syttyy.



3. Irrota vaahtomuovi oven yläosan magneetista.

4. Aseta lämpötila kylmimpään asetukseen ja odota noin tunti. Pakastin huurtuu hieman ja moottori käy tasaisesti.
5. Odota, kunnes jääkaappi on asetetussa lämpötilassa. Nyt jääkaappi on käyttövalmis.

### HUOM.

Jääkaapin käynnistyessä kuulet hälytysäänen. Poista hälytys käytöstä painamalla Freezer (Pakastin)-tai Fridge (Jääkaappi) -painiketta.

---

## VAIHE 6 Lämpötilahälytys (vain soveltuviissa malleissa)

---

### Tyyppi 1

- Jos pakastustila on liian lämmin, jääkaapin lämpötilänäytössä vilkkuu "- -" ja jääkaappi antaa hälytyksen. Näin voi käydä, jos pakastin lämpenee liikaa sähkökatkoksen aikana.
- Jos näin käy, paina **Freezer (Pakastin)**- tai **Fridge (Jääkaappi)** -painiketta. Painoitpa kumpaa tahansa, lämmin lämpötila näytetään 5 sekunnin ajan. Sen jälkeen näytetään nykyinen lämpötila. Poista hälytys käytöstä painamalla **Door Alarm (Ovihälytys)** -painiketta.

### Tyyppi 2

- Jos pakastustila on liian lämmin, jääkaapin lämpötilanilmaisimien vilkkuu ja jääkaappi antaa hälytyksen. Näin voi käydä, jos pakastin lämpenee liikaa sähkökatkoksen aikana. Poista hälytys käytöstä painamalla **Freezer (Pakastin)**- tai **Fridge (Jääkaappi)** -painiketta.

---

## VAIHE 7 Lopputarkastus

---

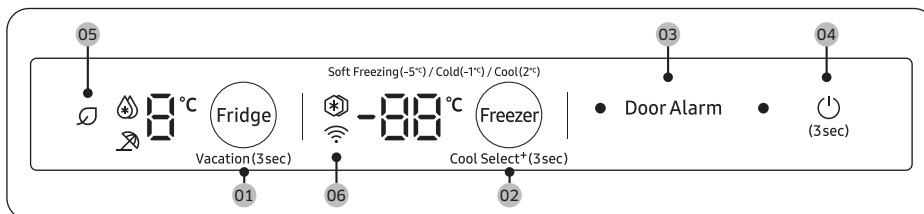
Kun asennus on tehty, varmista seuraavat:

- Jääkaapin johto on kiinnitetty pistorasiaan ja maadoitus on tehty oikein.
- Jääkaappi on asennettu tasaiselle, suoralle alustalle, ja jääkaapin ja seinän tai asennuskalusteen välissä on riittävän leveä rako.
- Jääkaappi on suorassa ja tiiviisti kaapiston sisällä.
- Oven voi avata ja sulkea esteettä, ja sisävalo syttyy automaattisesti, kun ovi avataan.

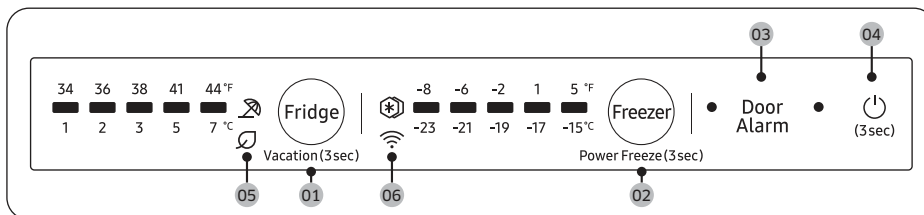
# Toiminnot

## Pääpaneeli

### TYYPPI 1



### TYYPPI 2



**01** Fridge (Jääkaappi) / Vacation (Loma)

**02** Freezer (Pakastin) / Power Freeze (Tehopakastus) / Cool Select+ (Kylmävalinta+)\*

**03** Door Alarm (Ovihälytys)

**04** (Virta)

**05** AI Energy Mode -tila

**06** Verkkoysteys

\* vain soveltuvissa malleissa

### **HUOM.**





Kaikki LED-merkkivalot palavat samanaikaisesti, kun ovi on auki, ja ne sammuvat yhtä aikaa, kun ovi suljetaan.

## 01 Jääkaappi / Loma (3 s)

|                    |   |
|--------------------|---|
| Fridge (Jääkaappi) | <p>Säädä jääkaapin lämpötilaa valitsemalla haluttu lämpötila painamalla <b>Fridge (Jääkaappi)</b> -painiketta.</p> <p>Voit valita haluamasi lämpötilan väliltä 1-7 °C (oletusasetus: 3 °C).</p> <p><b>Power Cool (Tehojäähdytys) (tyyppi 1)</b></p> <p>Power Cool (Tehojäähdytys) nopeuttaa jäähdytystä käyttämällä suurinta puhallinnopeutta. Jääkaappi käy täydellä puhallinnopeudella kaksi ja puoli tuntia ja palaa sen jälkeen takaisin aiempaan lämpötilaansa.</p> <ul style="list-style-type: none"><li>• Ota Power Cool (Tehojäähdytys) käyttöön valitsemalla lämpötila 1 °C. Paina sen jälkeen <b>Fridge (Jääkaappi)</b> -painiketta ja valitse Power Cool (Tehojäähdytys). Toiminnon ilmaisin (🔊) syttyy ja jääkaappi jäähtyy nopeammin.</li><li>• Poista Power Cool (Tehojäähdytys) käytöstä painamalla <b>Fridge (Jääkaappi)</b> -painiketta uudelleen. Tämän jälkeen jääkaapin lämpötilaksi asetetaan taas 7 °C.</li></ul> <p><b>📌 HUOM.</b></p> <p>Power Cool (Tehojäähdytys) -toiminto kuluttaa enemmän sähköä. Muista ottaa se pois käytöstä ja palauttaa aiempi lämpötila-asetus, kun et käytä sitä.</p> |
| Vacation (Loma)    | <ul style="list-style-type: none"><li>• Jos lähdet lomalle tai työmatkalle tai jos et aio käyttää jääkaappia pitkään aikaan, käytä Vacation (Loma) -tilaa. Jääkaapin lämpötila pidetään alle 17 °C:ssa, mutta pakastin toimii aiempien asetusten mukaisesti.</li><li>• Ota Vacation (Loma) -tila käyttöön tai poista se käytöstä pitämällä <b>Fridge (Jääkaappi)</b> -painiketta painettuna 3 sekuntia.</li></ul> <p><b>📌 HUOM.</b></p> <ul style="list-style-type: none"><li>• Ota ruoat pois jääkaapista ennen lomatoiminnon käyttämistä.</li><li>• Vacation (Loma) -tila poistetaan käytöstä, jos säädät lämpötila-asetuksia.</li></ul>  |

# Toiminnot

## 02 Pakastin / Tehopakastus (3 s) / Kylmävalinta+ (3 s)

|                             |  |
|-----------------------------|--|
| Freezer (Pakastin)          | <p>Freezer (Pakastin) -painikkeella voidaan asettaa pakastimen lämpötila. Lämpötilarajat ovat -15 °C ... -23 °C (oletusarvo: -19 °C).</p> <p> <b>HUOM.</b></p> <p>Lämpötilaa ei voi muuttaa Cool Select+ (Kylmävalinta+) -tilassa.</p>  |
| Power Freeze (Tehopakastus) | <p>Power Freeze (Tehopakastus) nopeuttaa pakastusta käyttämällä suurinta puhallinnopeutta. Pakastin käy täydellä puhallinnopeudella 50 tuntia ja palaa sen jälkeen aiempaan lämpötilaansa. Jos haluat pakastaa suuren määrän ruokaa, ota Power Freeze (Tehopakastus) käyttöön vähintään 20 tuntia ennen pakastamista.</p> <p><b>Tyyppi 1</b></p> <ul style="list-style-type: none"><li>Ota Power Freeze (Tehopakastus) käyttöön valitsemalla lämpötila -23 °C. Paina sen jälkeen <b>Freezer (Pakastin)</b> -painiketta ja valitse Power Freeze (Tehopakastus). Toiminnon ilmaisin  syttyy ja pakastin jäähtyy nopeammin.</li><li>Kun Power Freeze (Tehopakastus) -toiminto on valmis, toiminnon ilmaisin sammuu ja pakastin palaa aiempaan lämpötila-asetukseen.</li><li>Poista Power Freeze (Tehopakastus) käytöstä painamalla <b>Freezer (Pakastin)</b> -painiketta uudelleen. Pakastin siirtyy takaisin aiempaan lämpötila-asetukseen.</li></ul> <p><b>Tyyppi 2</b></p> <ul style="list-style-type: none"><li>Ota Power Freeze (Tehopakastus) käyttöön pitämällä <b>Freezer (Pakastin)</b> -painiketta painettuna 3 sekuntia ja valitse Power Freeze (Tehopakastus). Toiminnon ilmaisin  syttyy ja pakastin jäähtyy nopeammin.</li><li>Poista Power Freeze (Tehopakastus) käytöstä pitämällä <b>Freezer (Pakastin)</b> -painiketta uudelleen painettuna 3 sekuntia. Pakastin palaa aiempaan lämpötila-asetukseen ja ilmaisin sammuu.</li></ul> <p> <b>HUOM.</b></p> <p>Power Freeze (Tehopakastus) kuluttaa enemmän sähköä. Muista ottaa se pois käytöstä ja palauttaa aiempi lämpötila-asetus, kun et käytä sitä.</p> |



|  |   |
|--|---|
| <p>Cool Select+<br/>(Kylmävalinta+)<br/>(Tyyppi 1)</p> | <p>Aina, kun pidät <b>Cool Select+ (Kylmävalinta+)</b> -painiketta painettuna 3 sekuntia, käyttötilaa vaihdetaan tässä järjestyksessä:<br/>Freeze (Pakastus) → Soft Freezing (Kevyt pakastus) (-5 °C) → Cold (Kylmennys) (-1 °C) → Cool (Jäähdytys) (2 °C)</p> <p><b>⚠ HUOMIO</b></p> <ul style="list-style-type: none"> <li>• Jos siirryt Freezer (Pakastin) -tilasta Cool Select+ (Kylmävalinta+) -tilaan, ruoista voi valua nestettä.</li> <li>• Älä säilytä lihaa tai kalaa pitkään Cool Select+ (Kylmävalinta+) -tilassa. Ruoka saattaa jäätymä tai mennä pilalle, jos sen säilytyslämpötila ei ole oikea.</li> <li>• Jos jääkaappi käynnistetään sen oltua pitkään käyttämättä, Cool Select+ (Kylmävalinta+) -asetukset saattavat palautua oletusarvoihinsa. Tarkista Cool Select+ (Kylmävalinta+) -asetukset ennen jääkaapin käyttöä.</li> </ul> |
|--|---|

### 03 Ovihälytys

|                                    |  |
|------------------------------------|--|
| <p>Door Alarm<br/>(Ovihälytys)</p> | <p>Voit asettaa hälytyksen muistutukseksi. Jos ovi on auki yli 2 minuuttia, jääkaappi antaa äänimerkin ja hälytyksen merkkivalo alkaa vilkkua.<br/>Voit ottaa hälytyksen käyttöön ja poistaa sen käytöstä painamalla <b>Door Alarm (Ovihälytys)</b> -painiketta.</p> |
|------------------------------------|--|

### 04 (Virta)

Käynnistä jääkaappi pitämällä  -painiketta painettuna 3 sekuntia.

Jos pidät  -painiketta uudelleen painettuna 3 sekuntia, jääkaappi sammuu ja tilojen valot sammuvat myös.

### 05 AI Energy Mode -tila (vain soveltuviissa malleissa)

Kuvake  tulee näkyviin, kun AI Energy Mode -tila on käytössä. Voit ottaa AI Energy Mode -tilan käyttöön tai poistaa sen käytöstä SmartThings-sovelluksessa. (vain soveltuviissa malleissa)

# Toiminnot

## 06 Verkkoysteys (vain soveltuviissa malleissa)

Voit hallita ja valvoa jääkaappia SmartThings-sovelluksella. Saat lisätietoja osiosta **SmartThings** (vain soveltuvat mallit).

### **HUOM.**

Jos jääkaappia ei ole yhdistetty SmartThings-sovellukseen, Wi-Fi-kuvake (📶) ilmaisee tämän vilkkumalla. Jos näet Wi-Fi-kuvakkeen (📶) vilkkuvan, suosittelemme, että yhdistät jääkaappisi SmartThings-sovellukseen.

## Wi-Fin kytkeminen päälle tai pois päältä (vain soveltuviissa malleissa)

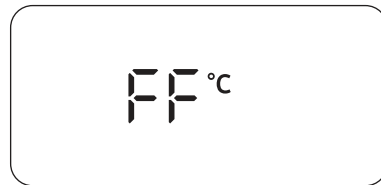
### Tyyppi 1

Kytke Wi-Fi päälle tai pois päältä pitämällä painiketta **Fridge (Jääkaappi)** painettuna kymmenen sekuntia. Wi-Fin tila näkyy näytöllä viiden sekunnin ajan (kuvan mukaisesti).

Wi-Fi päällä



Wi-Fi pois päältä



### Tyyppi 2

Kytke Wi-Fi päälle tai pois päältä painamalla **Fridge (Jääkaappi)** -painiketta 10 sekunnin ajan. Wi-Fi-kuvake (📶) näyttää Wi-Fi-yhteyden tilan alla olevan kuvan mukaisesti.

- Wi-Fi pois päältä: Wi-Fi-kuvake (📶) vilkkuu 5 sekunnin ajan ja sammuu sitten.
- Wi-Fi päällä: Wi-Fi-kuvake (📶) vilkkuu 5 sekunnin ajan ja syttyy sitten 5 sekunniksi.

### **HUOM.**

- Kun asetat Wi-Fin yhdistääksesi jääkaapin SmartThings-sovellukseen, Wi-Fin päälle / pois päältä -toiminnot käynnistyvät.
- Saat lisätietoja osiosta **SmartThings** (vain soveltuvat mallit).

---

## SmartThings (vain soveltuvat mallit)

---

### Asentaminen

Etsi SmartThings-sovellus Google Play Store-, Galaxy Apps- tai Apple App Store -sovelluskaupasta. Lataa ja asenna älylaitteille tarkoitettu, Samsung Electronicsin toimittama SmartThings-sovellus.

#### HUOM.

- Tuettu SmartThings-sovelluksen ohjelmistoversio voi muuttua valmistajan tarjoaman OS-tukikäytännön mukaisesti. SmartThings-sovelluksen tai sovelluksen tukemien toimintojen lisäksi olemassa olevan OS-version sovelluksen uusien päivitysten käytäntö voidaan keskeyttää käytettävyyss- tai turvallisuussyistä.
- SmartThings-sovellus voi muuttua ilmoittamatta käytettävyyden tai suorituskyvyn parannuksia varten. Koska matkapuhelimen OS-versio päivitetään vuosittain, SmartThings-sovellustakin päivitetään jatkuvasti uusimman OS-version mukaisesti. Jos sinulla on kysyttävää aiemmin mainituista kohdista, ota meihin yhteyttä lähettämällä viesti osoitteeseen [st.service@samsung.com](mailto:st.service@samsung.com).
- Suositeltuja salausjärjestelmiä ovat WPA/TKIP ja WPA2/AES. Uudempia tai standardoimattomia Wi-Fi-todennusprotokollia ei tueta.
- Ympäröivä langattomien yhteyksien ympäristö voi vaikuttaa langattomiin verkkoihin.
- Jos internetpalveluntarjoajasi on rekisteröinyt PC:si tai modeemisi MAC-osoitteen tunnistamista varten, Samsung Smart -jääkaappisi ei välttämättä saa yhteyttä internetiin. Jos näin käy, pyydä teknistä tukea internetpalveluntarjoajaltasi.
- Verkkoympäristösi palomuuriasetukset voivat estää Samsung Smart -jääkaappia muodostamasta yhteyttä internetiin. Pyydä teknistä tukea internetpalveluntarjoajaltasi. Jos ongelma jatkuu, ota yhteyttä paikalliseen Samsungin huoltoon tai jälleenmyyjään.
- Tee langattoman tukiaseman asetukset sen (reitittimen) käyttöoppaan ohjeiden mukaisesti.
- Samsung Smart -jääkaapit tukevat 2,4 GHz:n Wi-Fi-yhteyden IEEE 802.11 b/g/n- ja Soft-AP-protokollia. (Suosittelemme IEEE 802.11 n:ää.)
- Valtuuttamattomat langattomat Wi-Fi-reitittimet eivät välttämättä pysty muodostamaan yhteyttä Samsung Smart -jääkaappeihin.

# Toiminnot

---

## Samsung-tili

Sinun on rekisteröitävä Samsung-tilisi, jotta voit käyttää sovellusta. Jos sinulla ei ole Samsung-tiliä, noudata sovelluksen näytöllä annettuja ohjeita ja luo ilmainen Samsung-tili.

## Aloittaminen

Käynnistä yhdistettävä laite, avaa SmartThings-sovellus puhelimesi ja noudata alla olevia ohjeita. Jos esiin ilmestyy viesti-ikkuna, jossa ilmoitetaan uuden laitteen löytymisestä, napauta kohtaa **ADD NOW (LISÄÄ NYT)**.

Jos viesti-ikkuna ei avaudu, napauta +-painiketta ja valitse yhdistettävä laite käytettävissä olevien laitteiden luettelosta.

Jos laitteesi ei ole käytettävissä olevien laitteiden luettelossa, napauta kohtaa **Supported Devices (Tuetut laitteet)** ja valitse laitteen tyyppi (Jääkaappi) ja malli.

Tee laitteen asetukset sovelluksessa annettujen ohjeiden mukaisesti. Kun asetukset ovat valmiit, jääkaappisi näytetään "korttina" **Devices (Laitteet)** -näytössä.


## Integroitu hallinta

Voit valvoa ja hallita jääkaappia sekä kotona että kodin ulkopuolella.

- Napauta SmartThings-koontinäytössä näytettyä jääkaappikuvaketta tai koontinäytön alaosassa olevaa Laitteet-kuvaketta ja avaa jääkaappisivu napauttamalla jääkaapin "korttia".
- Tarkista toimintatila tai jääkaappiin liittyvät ilmoitukset ja muuta valintoja tai asetuksia tarvittaessa.

### **HUOM.**

Jääkaapin jotkin valinnat tai asetukset eivät välttämättä ole käytettävissä etäohjauksen kautta.

| Luokka   | Kohde  | Kuvaus  |
|--|--|---|
| Valvonta   | Jääkaapin lämpötila  | Näyttää jääkaapin käyttämän lämpötila-asetuksen.  |
|  | Pakastimen lämpötila   | Näyttää pakastimen käyttämän lämpötila-asetuksen.   |
| Toiminnot  | Tehojäähdytys (vain soveltuvissa malleissa)  | Voit ottaa Tehojäähdytys -toiminnon käyttöön tai pois käytöstä ja tarkistaa nykyiset asetukset. |
|  | Tehopakastus   | Voit ottaa Tehopakastus -toiminnon käyttöön tai pois käytöstä ja tarkistaa nykyiset asetukset.  |
|  | Jääkaapin lämpötila  | Voit asettaa jääkaapin haluamaasi lämpötilaan.  |
|  | Pakastimen lämpötila   | Voit asettaa pakastimen haluamaasi lämpötilaan.   |
| Hälytykset   | Epätavallisen korkea lämpötila   | Tämä hälytys käynnistyy jääkaapin tai pakastimen lämpötilan ollessa epätavallisen korkea.       |
|  | Oven avaaminen   | Tämä hälytys käynnistyy, kun ovi on ollut auki yli kaksi minuuttia.                             |
| AI Energy Mode -tila (vain soveltuvissa malleissa) | <p>Voit ottaa AI Energy Mode -tilan käyttöön tai poistaa sen käytöstä SmartThings-sovelluksen Energy-valikosta.</p> <p>Voit tarkistaa AI Energy Mode -toiminnon tilan SmartThings-sovelluksesta. Joissain malleissa -kuvake ilmestyy pääpaneeliin ilmaisemaan, että AI Energy Mode -tila on käytössä. (vain soveltuvissa malleissa)</p> <p>AI Energy Mode -tilan käyttöönotto vähentää energiankulutusta mutta saattaa myös heikentää jäähdytystehoa.</p> |   |

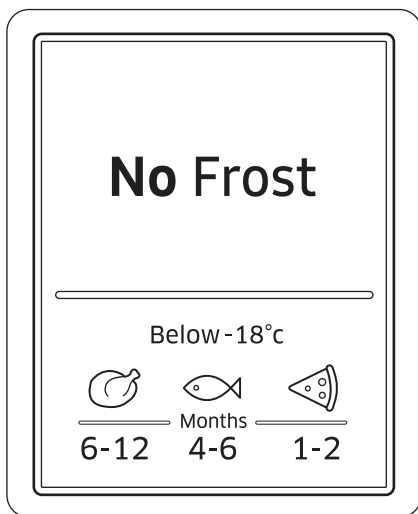
### Tietoa tietoturvapäivityksistä

Tietoturvapäivityksiä tarjotaan vahvistamaan laitteesi tietoturvaa ja suojaamaan henkilötietojasi. Lisätietoja tietoturvapäivityksistä on osoitteessa <https://security.samsungda.com>.

\* Verkkosivusto tukee vain joitakin kieliä.

# Toiminnot

## Säilytystiedot



Tämän kuvan alalaidassa olevat numerot osoittavat kunkin numeron yläpuolella olevan ruoka-aineen säilytysajan. Esimerkiksi kalan säilytysaika on 4-6 kuukautta.

### Ruoan pakastaminen

1. Kääri ruoka ilmatiiviisti tarkoitukseen sopivaan pakkaukseen tai kääreeseen.
2. Sulje pakkaus tiiviisti.
3. Merkitse pakkaukseen sen sisältö ja pakastuspäivä.

### Pakkausmateriaalit

- Ruoan pakastamiseen soveltuvat materiaalit: muovikelmu, polyteenikelmu, alumiinifolio ja pakastusrasiat.
- Ruoan pakastamiseen soveltumattomat materiaalit: käärepaperi, voipaperi, sellofaani, ruokajätteille tarkoitetut jätepussit ja käytetyt ostoskassit.

### Pakkauksen sulkemiseen soveltuvat materiaalit

kuminauhat, muoviset pussinsulkijat, naru, kylmyyden kestävä teippi yms. Pussit ja polyteenikelmu voidaan sulkea sulkijoilla.

---

## Pakastetun ruoan säilytysaika

Ruoan säilytysaika vaihtelee ruoan tyyppin ja säilytyslämpötilan mukaan. Seuraavat säilytysajat perustuvat -18 °C:een (0 °F) lämpötilaan:

- Tuore kananliha (koko kana), tuore liha (pihvit ja paistit): enintään 12 kk
- Kala (vähärasvainen kala, kypsä kala), tuoreet katkaravut, kampsimpukat ja mustekala: enintään 6 kk
- Pizza, makkarat: enintään 2 kk

### HUOM.

Lisätietoja on saatavana FDA:n verkkosivuilta (<http://www.fda.gov/>).

## Sulatus

Pakastettu ruoka voidaan sulattaa seuraavilla tavoilla:

- Huoneenlämmössä
- Jääkaapissa
- Sähköuunissa, jossa joko on tai ei ole kiertoilmatoiminto
- Mikroaaltouunissa

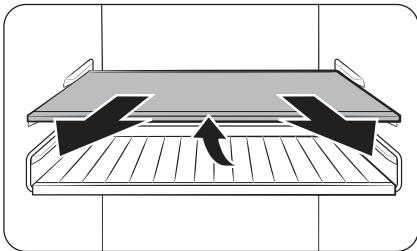
### HUOM.

- Älä pakasta sulanutta ruokaa uudelleen. Jotkut ruoat eivät pakastu kokonaan.
- Älä säilytä pakastettuja ruokia niiden enimmäispakastusaikaa pidempään.

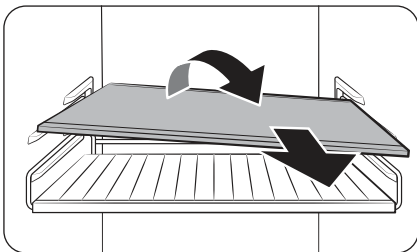
# Huolto

## Käsittely ja huolto

### Hyllyt (jääkaappi/pakastin) / Viinihylly (vain soveltuvissa malleissa)



1. Vedä hyllyä (tai viinihyllyä) hieman ulospäin. Nosta takaa ja vedä vielä ulospäin.

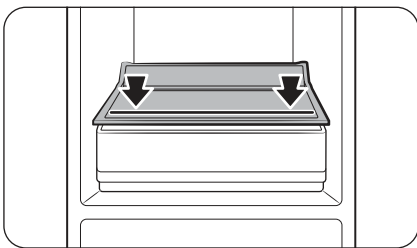


2. Käännä hyllyä (tai viinihyllyä) vinosti poistaaksesi sen.

#### ⚠ HUOMIO

- Hyllyt on asetettava kunnolla paikoilleen. Älä aseta niitä ylösalaisin.
- Lasitölkkit voivat naarmuttaa lasihyllyjen pintaa.
- Älä aseta hyllyä viinihyllyn paikalle. Tämä saattaa vaurioittaa jääkaappia. (vain soveltuvissa malleissa)

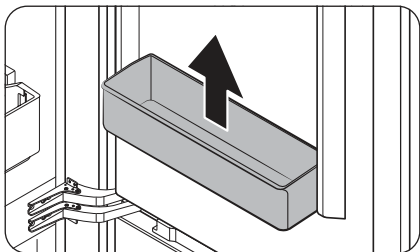
### Vihanneshylly (vain soveltuvissa malleissa)



- Jos mallisi jääkaapissa on vain yksi lokero, lokeron yläpuolella olevassa vihanneshyllyssä on merkkiviiva. Kun säilytät elintarvikkeita vihanneshyllyllä, varmista, että asetat elintarvikkeet merkkiviivan sisäpuolelle.



## Jääkaapin ovilokero / Monitoimiovilokero

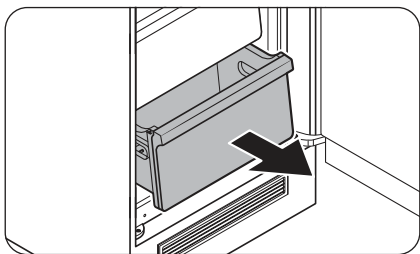


Irrota ovilokero pitämällä siitä kiinni molemmin käsin ja nostamalla se pois paikaltaan.

### ⚠ HUOMIO

Tyhjennä ovilokerot vahinkojen välttämiseksi ennen niiden irrottamista.

## Jääkaapin lokero / Pakastelokero



Nosta lokeron etuosaa varovasti ja liu'uta se ulos.

# Huolto

---

## Puhdistaminen

---

### Sisä- ja ulkopinnat

#### VAROITUS

- Älä puhdista laitetta bentseenillä, ohenteilla, etikalla, nestemäisellä valkaisuaineella, ruokasoodalla, sitruunahapolla, suolaseoksilla tai kodin puhdistusaineilla tai autonpesuaineilla, esimerkiksi Cloroxilla™. Ne voivat vaurioittaa jääkaapin pintaa ja aiheuttaa tulipalon.
- Älä suihkuta jääkaapin päälle vettä. Tämä voi aiheuttaa sähköiskun.

Puhdista pistokkeen navoista ja liitäntäkohdista kaikki niihin kuulumattomat aineet (esimerkiksi pöly tai vesi) säännöllisesti kuivalla liinalla.

1. Irrota virtajohto pistorasiasta.
2. Käytä kostutettua, pehmeää ja nukkaantumatonta liinaa tai paperipyyhettä jääkaapin sisä- ja ulkopintojen puhdistamiseen.
3. Kuivaa lopuksi pinnat huolellisesti kuivalla liinalla tai paperipyyhkeellä.
4. Kytke virtajohto pistorasiaan.

## Vaihtaminen

---

### LED-valot

Kun jääkaapin valot täytyy vaihtaa, ota yhteyttä lähimpään Samsungin huoltoon.

#### VAROITUS

- Valot eivät ole käyttäjien vaihdettavissa. Älä yritä vaihtaa valoa itse. Tämä voi aiheuttaa sähköiskun.

### Lamppu (valonlähde)

Tämä tuote sisältää valonlähteen, jonka energiatehokkuusluokka on <G>.

Lamppu ja/tai valotehokkuus eivät ole käyttäjän vaihdettavissa. Kun tuotteen lamppu ja/tai valotehokkuus täytyy vaihtaa, ota yhteyttä lähimpään Samsungin huoltoon.

Saat tarkat ohjeet tuotteesi lampun tai valotehokkuuden vaihtamiseen Samsungin verkkosivustolta (<http://www.samsung.com>) siirtymällä kohtaan Tuki > Tuen aloitussivu ja antamalla sitten laitemallisi nimen.

Saat tarkat ohjeet lampun irrottamiseen tai valotehokkuuden poistoon noudattamalla yllä mainitussa sijainnissa annettuja vaihto-ohjeita.

# Vianmääritys

Tarkista kaikki alla olevat kohdat, ennen kuin otat yhteyttä huoltoon. Kaikista normaaleihin tilanteisiin (ei vikatilanteet) liittyvistä huoltokutsuista laskutetaan käyttäjää.

## Yleistä

### Lämpötila

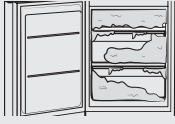
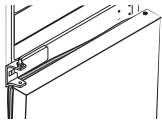
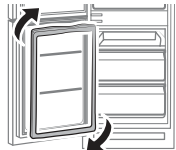
| Ongelma   | Mahdollisia syitä  | Ratkaisu  |
|---|--|---|
| Jääkaappi/pakastin ei toimi.<br>Jääkaappi/pakastin on lämmin. | <ul style="list-style-type: none"><li>• Virtajohtoa ei ole kytketty asianmukaisesti.</li></ul>   | <ul style="list-style-type: none"><li>• Kytke virtajohto asianmukaisesti.</li></ul>   |
|   | <ul style="list-style-type: none"><li>• Lämpötila-asetuksia ei ole asetettu oikein.</li></ul>  | <ul style="list-style-type: none"><li>• Aseta lämpötila alhaisemmaksi.</li></ul>  |
|   | <ul style="list-style-type: none"><li>• Jääkaappi on lämmönlähteen lähellä tai suorassa auringonvalossa.</li></ul>                               | <ul style="list-style-type: none"><li>• Pidä jääkaappi etäällä suorasta auringonvalosta ja lämmönlähteistä.</li></ul>   |
|   | <ul style="list-style-type: none"><li>• Jääkaapin sivuilla ja takana ei ole riittävästi tilaa.</li></ul>   | <ul style="list-style-type: none"><li>• Varmista, että asennuskalusteen taka- ja sivuseinät ovat vähintään 7 mm:n etäisyydellä laitteesta.</li></ul>  |
|   | <ul style="list-style-type: none"><li>• Lomatila on käytössä.</li></ul>  | <ul style="list-style-type: none"><li>• Poista lomatila käytöstä.</li></ul>   |
|   | <ul style="list-style-type: none"><li>• Jääkaappi on ylikuormittunut. Ruokatarvikkeet estävät jääkaapin ilmanvaihtoaukkojen toiminnan.</li></ul> | <ul style="list-style-type: none"><li>• Älä ylikuormita jääkaappia. Älä anna ruokatarvikkeiden tukkia tuuletusaukkoja.</li></ul>  |
| Jääkaappi/pakastin on liian kylmä.                            | <ul style="list-style-type: none"><li>• Lämpötila-asetuksia ei ole asetettu oikein.</li></ul>  | <ul style="list-style-type: none"><li>• Aseta lämpötila korkeammaksi.</li></ul>   |
| Sisäseinämä on kuuma.   | <ul style="list-style-type: none"><li>• Jääkaapin sisäseinämässä on kuumuutta kestävä putkisto.</li></ul>  | <ul style="list-style-type: none"><li>• Jääkaapin etukulmissa on kuumuutta kestävä putkisto, jonka tarkoituksena on estää kosteuden muodostuminen. Jos ympäristön lämpötila kohoaa, tämä laitteisto ei saata toimia tehokkaasti. Kyseessä ei ole vika.</li></ul>  |

# Vianmääritys

## Hajut

| Ongelma           | Mahdollisia syitä  | Ratkaisu  |
|-------------------|--|---|
| Jääkaappi haisee. | <ul style="list-style-type: none"><li>Pilaantunut ruoka.</li></ul>           | <ul style="list-style-type: none"><li>Puhdista jääkaappi ja poista pilaantunut ruoka.</li></ul>                   |
|                   | <ul style="list-style-type: none"><li>Voimakkaasti tuoksuva ruoka.</li></ul> | <ul style="list-style-type: none"><li>Varmista, että vahvalta tuoksuvat ruoat on pakattu ilmatiiviisti.</li></ul> |

## Huurre

| Ongelma   | Mahdollisia syitä  | Ratkaisu   |
|---|--|--|
| Huurretta ilmanvaihtoaukkojen ympärillä.  | <ul style="list-style-type: none"><li>Ruoka estää ilmanvaihtoaukkojen toiminnan.</li></ul>   | <ul style="list-style-type: none"><li>Varmista, etteivät ruokatarvikkeet tuki jääkaapin ilmanvaihtoaukkoja.</li></ul>  |
| Huurretta sisäseinämällä.   | <ul style="list-style-type: none"><li>Ovea ei ole suljettu kunnolla.</li></ul>   | <ul style="list-style-type: none"><li>Varmista, etteivät ruokatarvikkeet estä oven sulkeutumista. Puhdista oven tiiviste.</li></ul>  |
| Hedelmät tai vihannekset ovat jäätyneet.  | <ul style="list-style-type: none"><li>Hedelmiä tai vihanneksia säilytetään Fresh- tai Chef-alueilla.</li></ul>   | <ul style="list-style-type: none"><li>Fresh- ja Chef-alueet on tarkoitettu vain lihalle ja kalalle.</li></ul>  |
| Pakastimeen kertyy liikaa huurretta.<br> | <ul style="list-style-type: none"><li>Ovi ei sulkeudu kunnolla, koska ovitiivistettä ei käännetty ovien kääntämisen jälkeen.</li></ul>  | <ul style="list-style-type: none"><li>Irrota ovitiiviste, käännä sitä 180 astetta ja kiinnitä se paikoilleen.</li></ul>  |

## Tiivistynyt kosteus

| Ongelma                          | Mahdollisia syitä   | Ratkaisu  |
|----------------------------------|---|---|
| Sisäseiniin muodostuu kosteutta. | <ul style="list-style-type: none"><li>Kosteutta pääsee jääkaappiin, jos sen ovi jää auki.</li></ul> | <ul style="list-style-type: none"><li>Poista kosteus ja älä avaa ovea pitkään aikaan.</li></ul> |
|                                  | <ul style="list-style-type: none"><li>Ruoka, jonka kosteuspitoisuus on korkea.</li></ul>            | <ul style="list-style-type: none"><li>Varmista, että ruoka on pakattu ilmatiiviisti.</li></ul>  |

## Hälytys

| Ongelma                     | Mahdollisia syitä  | Ratkaisu  |
|-----------------------------|--|---|
| Jääkaappi antaa äänimerkin. | <ul style="list-style-type: none"><li>Jos ovi on auki yli 2 minuuttia, jääkaappi antaa äänimerkin, kunnes ovi suljetaan.</li></ul> | <ul style="list-style-type: none"><li>Sammuta äänimerkki painamalla mitä tahansa painiketta. Ota yhteyttä paikalliseen Samsung-asiakaspalveluun, jos hälytys kuuluu uudelleen 12 tunnin kuluttua.</li></ul> |

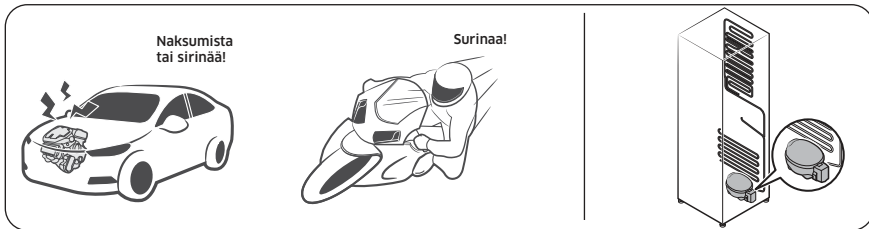
# Vianmääritys

## Kuuluuko jääkaapista epänormaalista ääntä?

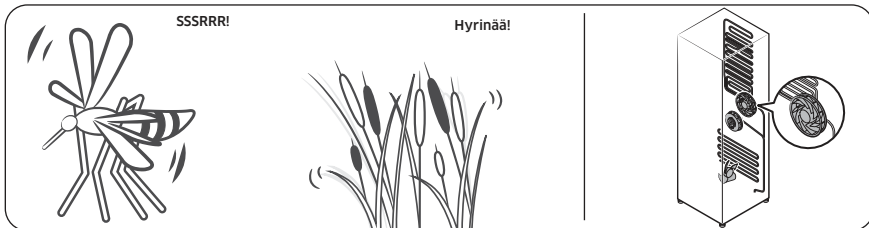
Tarkista seuraavat kohdat ennen huoltoon soittamista. Kaikista normaaleihin ääniin liittyvistä huoltokutsuista veloitetaan käyttäjää.

**Nämä äänet ovat normaaleja.**

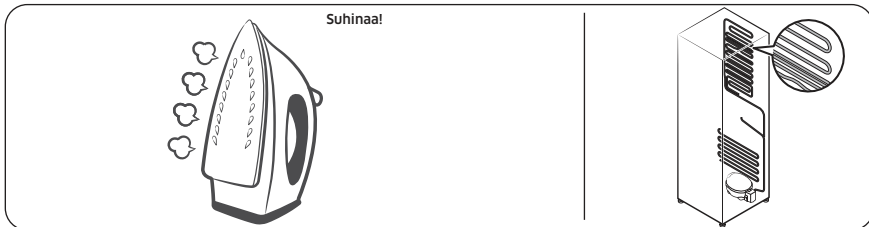
- Toiminnan käynnistyessä tai päättyessä jääkaappi voi päästää auton käynnistystä muistuttavia ääniä. Toiminnan vakiintuessa äänet vähenevät.



- Näitä ääniä voi kuulua tuulettimen ollessa käynnissä. Kun jääkaappi saavuttaa asetetun lämpötilan, tuulettimen ääntä ei enää kuulu.



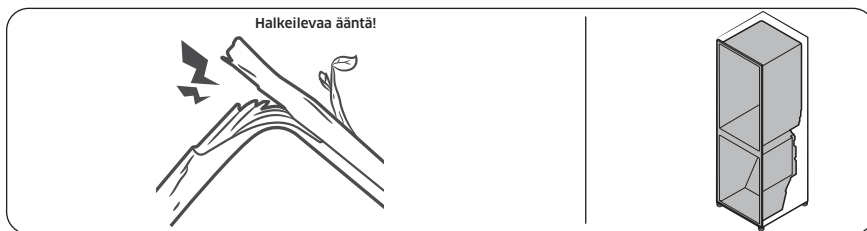
- Huurteenpoistosyklin aikana vettä voi tippua lämmittimelle ja aiheuttaa kisahtavia ääniä.



- Jääkaapin jäähtyessä tai jäätyessä jäähdytyskaasua kulkee tiivistetyissä putkissa aiheuttaen kuplivia ääniä.




- Jääkaapin lämpötilan noustessa tai lasiessa muoviosat supistuvat ja laajenevat aiheuttaen naksuvia ääniä. Näitä ääniä kuuluu huurteenpoistosyklin aikana tai elektronisten osien toimissa.



- Jääkonemallien kanssa: Kun vesiventtiili avautuu jääkoneen täyttämiseksi, voi kuulua surisevaa ääntä.
- Paineen tasautuessa jääkaappia avattaessa tai suljettaessa voi kuulua humisevia ääniä.

# Vianmääritys

## SmartThings (vain soveltuvat mallit)

| Ongelma  | Toimenpide   |
|--|--|
| SmartThings-sovellusta ei löydy sovelluskaupasta.  | <ul style="list-style-type: none"><li>Tuettu SmartThings-sovelluksen ohjelmistoversio voi muuttua valmistajan tarjoaman OS-tukikäytännön mukaisesti. SmartThings-sovelluksen tai sovelluksen tukemien toimintojen lisäksi olemassa olevan OS-version sovelluksen uusien päivitysten käytäntö voidaan keskeyttää käytettävyyss- tai turvallisuussyistä.</li></ul>                                   |
| SmartThings-sovellus ei toimi.   | <ul style="list-style-type: none"><li>SmartThings-sovellus on käytettävissä vain soveltuviin malleihin.</li><li>Vanha Samsung Smart Refrigerator -sovellus ei yhdistä Samsung Smart Home -malleihin.</li></ul>   |
| SmartThings-sovellus on asennettu, mutta sitä ei ole yhdistetty jääkaappiin.                                     | <ul style="list-style-type: none"><li>Sinun on kirjauduttava Samsung-tilillesi, jotta voit käyttää sovellusta.</li><li>Varmista, että reitittimesi toimii normaalisti.</li><li>Jos jääkaapin näytön Wi-Fi-kuvake ei pala, tämä tarkoittaa, että verkkoyhteyttä ei ole vielä muodostettu. Jos näin on, yhdistä ja rekisteröi jääkaappi SmartThings-sovelluksella kotisi tukiasemaan (AP).</li></ul> |
| Sovellukseen kirjautuminen ei onnistu.   | <ul style="list-style-type: none"><li>Sinun on kirjauduttava Samsung-tilillesi, jotta voit käyttää sovellusta.</li><li>Jos sinulla ei ole Samsung-tiliä, luo tili noudattamalla sovelluksen näytössä annettuja ohjeita.</li></ul>  |
| Näkyviin tulee virheviesti, kun yritän rekisteröidä jääkaapin.   | <ul style="list-style-type: none"><li>Easy Connection -toiminnossa voi tapahtua virhe, jos tukiasema on kaukana tai jos käyttöympäristössä esiintyy sähköisiä häiriöitä. Odota hetki ja yritä sitten uudelleen.</li></ul>  |
| SmartThings-sovellus on yhdistetty jääkaappiin mutta ei käynnisty.   | <ul style="list-style-type: none"><li>Sulje SmartThings-sovellus ja käynnistä se uudelleen tai katkaise yhteys reitittimeen ja muodosta se uudelleen.</li><li>Irrota jääkaapin virtajohto ja kytke se uudelleen minuutin kuluttua.</li></ul>   |
| Wi-Fi-kuvake vilkkuu.<br>(  ) | <ul style="list-style-type: none"><li>Yhdistä jääkaappi SmartThings-sovellukseen ennen käyttöä. Kun yhteys on muodostettu, ilmaisin lakkaa vilkkumasta.<ul style="list-style-type: none"><li>Jos yhteyttä ei voi muodostaa tai et halua käyttää sovellusta, pidä <b>Fridge (Jääkaappi)</b> -painiketta painettuna 10 sekuntia. Merkkivalo lakkaa vilkkumasta.</li></ul></li></ul>                  |



# Liite

## Turvallisuusohje

- Jotta laite hyödyntäisi kuluttamansa energian mahdollisimman tehokkaasti, kaikki sen sisällä olevat osat, esimerkiksi laatikot, lokerot, hyllyt ja jääpalalokero, tulisi pitää niissä paikoissa, joissa ne toimitettaessa olivat.

## Asennusohje

### Ilmastoluokitellut kylmälaitteet

Tämä kylmälaite on tarkoitettu käytettäväksi seuraavassa taulukossa ilmoitetulla ilmastoluokansa mukaisella ympäristölämpötila-alueella.

Ilmastoluokan voi tarkistaa arvokilvestä. Jos lämpötila on ilmoitetun alueen ulkopuolella, tuote ei välttämättä toimi oikein.

Ilmastoluokka on merkitty jääkaapin sisäpuolella olevaan tarraan.

### Tehokkaat lämpötilarajat

Jääkaappi on suunniteltu toimimaan normaalisti luokituksensa mukaisissa lämpötilarajoissa.

| Luokka           | Merkki | Ympäristön lämpötilarajat (°C) |          |
|------------------|--------|--------------------------------|----------|
|                  |        | IEC 62552 (ISO 15502)          | ISO 8561 |
| Erittäin lauhkea | SN     | +10-+32                        | +10-+32  |
| Lauhkea          | N      | +16-+32                        | +16-+32  |
| Subtrooppinen    | ST     | +16-+38                        | +18-+38  |
| Trooppinen       | T      | +16-+43                        | +18-+43  |

### HUOM.

Ympäristön lämpötila, ovien avaamistiheys ja jääkaapin sijoituspaikka saattavat vaikuttaa jääkaapin jäähdytyskykyyn ja virrankulutukseen. Suosittelemme tarvittaessa säätämään lämpötilaa.

# Liite

## Lämpötilaohje

### Suosittelut lämpötila

Ihanteellinen säilytyslämpötila-asetus:

- Fridge (Jääkaappi): 3 °C
- Freezer (Pakastin): -19 °C

### HUOM.

Kunkin osaston optimaalinen lämpötila-asetus määräytyy ympäristön lämpötilan mukaan. Optimaalisen lämpötilan yläpuolella perustuu 25 °C:n ympäristön lämpötilaan.

### Tehojäähdytys

Tehojäähdytys nopeuttaa jäähdytystä käyttämällä suurinta puhallinnopeutta. Jääkaappi käy täydellä puhallinnopeudella kaksi ja puoli tuntia ja palaa sen jälkeen takaisin aiempaan lämpötilaansa.

### Tehopakastus

Tehopakastus nopeuttaa pakastusta käyttämällä suurinta puhallinnopeutta. Pakastin käy täydellä puhallinnopeudella 50 tuntia ja palaa sen jälkeen aiempaan lämpötilaansa. Jos haluat pakastaa suuren määrän ruokaa, ota Tehopakastus käyttöön vähintään 20 tuntia ennen pakastamista.

### HUOM.

Kun käytät tätä toimintoa, jääkaapin energiankulutus kasvaa. Muista ottaa toiminto pois päältä ja palauttaa pakastin takaisin haluamaasi lämpötilaan, kun et enää tarvitse sitä.

### Säilymisen kannalta parhaat säilytystavat (vain soveltuvissa malleissa)

Peitä ruoat, jotta ne pysyisivät kosteina ja jottei niihin tarttuisi hajuja muista ruoista. Suuret astiat, joissa on esimerkiksi keittoa tai muhennosta, tulisi jakaa pienempiin annoksiin mataliin astioihin ennen niiden siirtämistä jääkaappiin. Suuret lihapalat tai kokonainen kana tulisi leikata pienemmiksi tai jakaa mataliin astioihin ennen niiden siirtämistä jääkaappiin.

### Ruokien paikat

|   |   |
|---|---|
| Hyllyt                                      | Hyllyjen tulisi olla säädettävissä erilaisten pakkausten koon mukaisesti.   |
| Erikoislokero (vain soveltuvissa malleissa) | Tiivistetyissä vihanneslokeroissa on ihanteelliset säilytysolosuhteet hedelmille ja vihanneksille. Vihannekset edellyttävät tavallista enemmän kosteutta ja hedelmät taas vähemmän.<br>Vihanneslokeroissa on hallintalaitteet kosteustason säätämiseen. (* Riippuu mallista ja valituista ominaisuuksista.)<br>Lämpötilansäädöllä varustettu lihalokero maksimoi lihan ja juustojen säilytysajan. |
| Ovessa säilyttäminen                        | Älä säilytä helposti pilaantuvia ruokia ovessa. Munat tulisi säilyttää hyllyllä myyntipakkauksessaan. Oven säilytyslokeroiden lämpötila vaihtelee enemmän kuin kaapin sisällä. Pidä ovi mahdollisimman paljon suljettuna.   |

|               |   |
|---------------|---|
| Pakastinpuoli | Pakastimessa voit säilyttää pakasteita, valmistaa jääpaloja ja pakastaa tuoreita elintarvikkeita. |
|---------------|---|

### HUOM.

Pakasta vain tuoreita ruokia. Pidä pakastettavat ruoat erillään jo pakastetuista ruoista. Käytä pakasteille ilmatiiviitä rasioita, jotta ruoan maku ei häviäisi eikä ruoka kuivuisi.

### Jääkaapin ja pakastimen säilytysaikataulukko

Tuoreena säilyminen riippuu lämpötilasta ja kosteudelle altistumisesta. Koska tuotteissa olevat päivämäärät eivät saata toimia ohjeena tuotteiden turvalliseen käyttöön, noudata näitä vinkkejä ja käytä tätä taulukkoa viitteenä.

#### Maitotuotteet

| Tuote         | Jääkaappi  | Pakastin      |
|---------------|------------|---------------|
| Maito         | 1 viikko   | 1 kuukausi    |
| Voi           | 2 viikkoa  | 12 kuukautta  |
| Jäätelö       | -          | 2-3 viikkoa   |
| Luonnonjuusto | 1 kuukausi | 4-6 kuukautta |
| Tuorejuusto   | 2 viikkoa  | Ei suositella |
| Jogurtti      | 1 kuukausi | -             |

#### Liha

| Tuote                                     | Jääkaappi  | Pakastin      |
|---|------------|---------------|
| Tuoreet paistit, pihvit ja kyljykset      | 3-4 päivää | 2-3 kuukautta |
| Tuore jauheliha tai muhennosliha          | 1-2 päivää | 3-4 kuukautta |
| Pekoni                                    | 7 päivää   | 1 kuukausi    |
| Makkarat; raaka porsas, nauta ja kalkkuna | 1-2 päivää | 1-2 kuukautta |

#### Linnunliha / Munat

| Tuote                     | Jääkaappi   | Pakastin      |
|---------------------------|-------------|---------------|
| Tuore linnunliha          | 2 päivää    | 6-8 kuukautta |
| Linnunlihasalaatti        | 1 päivä     | -             |
| Munat tuoreina kuorissaan | 2-4 viikkoa | Ei suositella |

# Liite

## Kala / Äyriäiset

| Tuote                    | Jääkaappi   | Pakastin      |
|--------------------------|-------------|---------------|
| Tuore kala               | 1-2 päivää  | 3-6 kuukautta |
| Kypsä kala               | 3-4 päivää  | 1 kuukausi    |
| Kalasalaaatti            | 1 päivä     | Ei suositella |
| Kuivattu tai säilykekala | 3-4 viikkoa | -             |

## Hedelmät

| Tuote                 | Jääkaappi   | Pakastin       |
|-----------------------|-------------|----------------|
| Omenat                | 1 kuukausi  | -              |
| Persikat              | 2-3 viikkoa | -              |
| Ananas                | 1 viikko    | -              |
| Muut tuoreet hedelmät | 3-5 päivää  | 9-12 kuukautta |

## Vihannekset

| Tuote   | Jääkaappi  | Pakastin |
|---|------------|----------|
| Parsa   | 2-3 päivää | -        |
| Parsakaali, ruusukaali, herneet ja sienet           | 3-5 päivää | -        |
| Kaali, kukkakaali, selleri, kurkku ja lehtisalaatti | 1 viikko   | -        |
| Porkkana, retiisi ja juurikkaat                     | 2 viikkoa  | -        |

---

## Tiedot mallista ja varaosien tilaamisesta

---

### Mallitiedot

Jos haluat lukea tämän tuotteen energiamerkintätiedot EPREL (European Product Registry for Energy Labelling) -tietokannasta, skannaa energiamerkinnässä oleva QR-koodi.

Löydät QR-koodin tuotepakkauksen energiamerkinnästä.

### Osatiedot

- Vähimmäisjakso, jonka ajan laitteen korjaamiseen tarvittavia varaosia on saatavilla:
  - 7 vuotta: termostaatit, lämpötilantunnistimet, painetut piirilevyt ja valonlähteet, ovenkahvat, oven saranat, telineet, laatikot (rasiat ja lokerot)
  - 10 vuotta: oven tiivisteet.
- Valmistajan kylmälaitteelle tarjoaman takuun vähimmäiskesto on 24 kuukautta.
- Tiedot varaosien tilaamisesta suoraan tai muiden valmistajan, maahantuojan tai valtuutetun edustajan tarjoamien kanavien kautta:
- Tietoa ammattikorjauksesta on osoitteessa <http://samsung.com/support>. Käyttäjän huolto-opas on saatavilla osoitteessa <http://samsung.com/support>.

# Open Source Announcement

---

## Open Source Announcement

---

The software included in this product contains open source software. You may obtain the complete corresponding source code for a period of three years after the last shipment of this product by contacting our support team via <http://opensource.samsung.com> (Please use the "Inquiry" menu.)

It is also possible to obtain the complete corresponding source code in a physical medium such as a CD-ROM; a minimal charge will be required.

The following URL [http://opensource.samsung.com/opensource/COMMON\\_TZ6\\_0/seq/0](http://opensource.samsung.com/opensource/COMMON_TZ6_0/seq/0) leads to the open source license information as related to this product. This offer is valid to anyone in receipt of this information.



# Muistiinpanoja

---

## HUOM.

Samsung täten vakuuttaa, että tämä radiolaitte noudattaa direktiiviä 2014/53/EU ja Yhdistyneen kuningaskunnan soveltuvia lakimääräisiä vaatimuksia.

EU:n vaatimustenmukaisuusvakuutus ja Yhdistyneen kuningaskunnan vaatimustenmukaisuusvakuutus ovat luettavissa kokonaisuudessaan seuraavassa osoitteessa: Virallinen vaatimustenmukaisuusvakuutus on osoitteessa <http://www.samsung.com>. Kirjoita laitteen mallin nimi kohtaan Support (Tuki) > Search Product Support (Etsi tuotetukea).

|           | Taajuusalue       | Lähtetimen teho (enintään) |
|-----------|-------------------|----------------------------|
| Wi-Fi     | 2 412 - 2 472 MHz | 20 dBm                     |
| Bluetooth | 2402 - 2480 MHz   | 20 dBm                     |

|             |   |   |
|-------------|---|---|
| FRANCE      | 01 48 63 00 00  | <a href="http://www.samsung.com/fr/support">www.samsung.com/fr/support</a>  |
| GERMANY     | 06196 77 555 77   | <a href="http://www.samsung.com/de/support">www.samsung.com/de/support</a>  |
| LUXEMBURG   | 261 03 710  | <a href="http://www.samsung.com/be_fr/support">www.samsung.com/be_fr/support</a>  |
| NETHERLANDS | 088 90 90 100   | <a href="http://www.samsung.com/nl/support">www.samsung.com/nl/support</a>  |
| BELGIUM     | 02-201-24-18  | <a href="http://www.samsung.com/be/support">www.samsung.com/be/support</a> (Dutch)<br><a href="http://www.samsung.com/be_fr/support">www.samsung.com/be_fr/support</a> (French) |
| NORWAY      | 21629099  | <a href="http://www.samsung.com/no/support">www.samsung.com/no/support</a>  |
| DENMARK     | 707 019 70  | <a href="http://www.samsung.com/dk/support">www.samsung.com/dk/support</a>  |
| FINLAND     | 030-6227 515  | <a href="http://www.samsung.com/fi/support">www.samsung.com/fi/support</a>  |
| SWEDEN      | 0771-400 300  | <a href="http://www.samsung.com/se/support">www.samsung.com/se/support</a>  |
| CYPRUS      | 8009 4000 only from landline, toll free   | <a href="http://www.samsung.com/gr/support">www.samsung.com/gr/support</a>  |
| GREECE      | 80111-SAMSUNG (80111 726 7864) only from land line<br>(+30) 210 6897691 from mobile and land line |   |
| ITALIA      | 800-SAMSUNG (800.7267864)   | <a href="http://www.samsung.com/it/support">www.samsung.com/it/support</a>  |
| PORTUGAL    | 210 608 098<br>Chamada para a rede fixa nacional<br>Dias úteis das 9h às 20h                      | <a href="http://www.samsung.com/pt/support">www.samsung.com/pt/support</a>  |
| SPAIN       | 91 175 00 15  | <a href="http://www.samsung.com/es/support">www.samsung.com/es/support</a>  |

