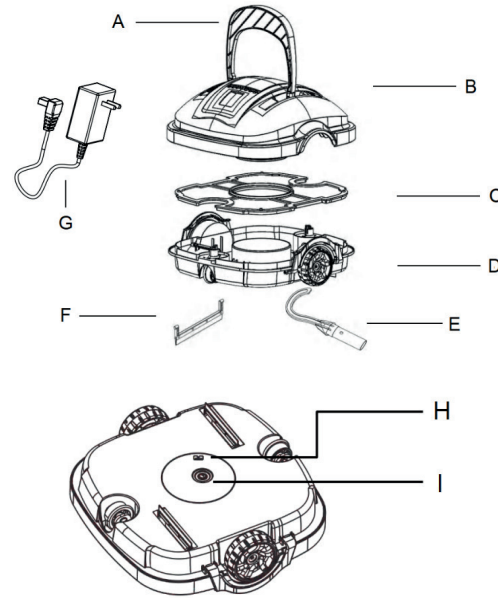
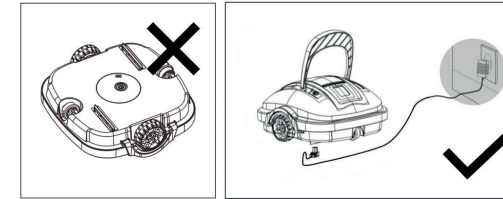


GB Robotclean Accu XS Operating Manual and Parts List

Device parts/ Scope of delivery



No.	Designation
A	Handle
B	Cover
C	Filter
D	Chassis
E	Retrieval hook
F	Spatula
G	Power supply unit
H	Charging socket
I	On/off switch



Parts list

1	Handle	13	Weight block
2	Top cover	14	Large wheel
3	Water protection cover	15	Wheel inner cover
4	Cover	16	Wheel outer cover
5	Water supply cover	17	Bolts
6	Water supply	18	Wheel support
7	Middle cover	19	Small wheel
8	Spring	20	Wheel shaft
9	Motor block	21	Chassis
10	Swivel plate holder	22	Buckles
11	Water sign	23	Water inlet cover
12	Filter		

F

Outside Living Industries France SARL

17, Rue de la Baignerie
F - 59000 Lille
☎ 0033 - (0)3-20 17 93 93
FAX 0033 - (0)3-20 17 93 94

NL

Outside Living Industries Nederland B.V.

Berenkoog 87
NL - 1822 BN Alkmaar
☎ 0031 - (0)72-5671 604
FAX 0031 - (0)72 5671 673

D

A

Outside Living Industries Deutschland GmbH

Liebauweg 32
D - 46395 Bocholt
☎ 0049 - (0) 28 71 - 29351 - 0
FAX 0049 - (0) 28 71 - 29351 - 29

B

Outside Living Industries BeLux BVNR

Wondelgemkaai 10
B - 9000 Gent
☎ 0032-(0)9-254 45 45
FAX 0032-(0)9- 254 45 40



Robotclean Accu XS







Robotclean Accu XS Operating Manual and Parts List



General information

Dear customer,

This operating manual contains important information on commissioning and use. Read the operating manual carefully before using the pool cleaner. This applies particularly to the safety advice. Otherwise, you may injure yourself or damage the pool cleaner. Keep the operating manual for future use. If you pass the pool cleaner on to a third party, be sure to hand over this operating manual as well. These operating instructions can also be downloaded as a PDF file from our website www.outsideliving.com.



Safety instructions

This device may be used by children from the age of 8 upwards and also by people with physical, sensory or mental disabilities or lacking suitable knowledge and experience, provided they are supervised or have been instructed in the use of the device and understand the resulting hazards. Cleaning and user maintenance must not be carried out by unsupervised children.

The pool cleaner is intended exclusively for private use only and is not suitable for commercial applications. Only use the pool cleaner as described in this operating manual. Any other use is considered improper and can lead to damage to property and/or personal injury. The pool cleaner is not a toy. The manufacturer or dealer accepts no liability for damage resulting from improper or incorrect use.

- Make sure that the pool cleaner is placed on a level and stable surface for assembly.
- Only use the power supply unit in a properly installed socket with a mains voltage of 230 V AC indoors.
- The power supply for the power supply unit must be at least 3.5 metres away from the pool. The power supply must be supplied via a residual current circuit breaker (RCCB) with a rated residual current of no more than 30 mA.
- The power supply unit may not come into contact with water or moisture.
- Remove the power supply unit from the socket immediately if a fault occurs or if the appliance is not used for a longer period of time.
- Only use the supplied power supply unit.
- Do not pull the power supply unit by the cable to remove the plug from the socket.
- Lay the power supply unit cable so that it cannot come into contact with sharp-edged or hot objects.
- Keep the pool cleaner and the power supply unit out of the reach of children.
- Do not place the pool cleaner or the power supply unit near extreme temperatures and protect the transformer from moisture
- The power cable of the power supply unit cannot be replaced. If the cable is damaged, the affected device may no longer be used and must be disposed of properly.
- Do not enter the swimming pool when the pool cleaner is in operation.
- Before using your pool cleaner, remove all objects from the pool that could affect the performance of the pool cleaner.
- Do not switch the pool cleaner on before it is in the water.
- Take the pool cleaner out of the pool after each use. If you leave the pool cleaner in the pool all the time, this may result in additional service requirements.



Check the pool cleaner and scope of delivery

Risk of damage,

If you open the packaging carelessly with a sharp knife or other pointed object, the pool cleaner or accessories may be damaged. Remove the pool cleaner from the packaging. Check whether the pool cleaner or the accessories are damaged. If this is the case, contact the dealer immediately.



Assembly

Once you have removed the pool cleaner from the packaging, you can put the pool cleaner into operation. Proceed as follows:

- Install the spatula (F) to boost the suction effect if the pool floor is very dirty. It is not recommended to install the spatula (F) if the pool floor is uneven or has many holes. This can cause the pool cleaner to get caught and damage the foil
- Mount the handle (A) on the pool cleaner with both included screws
- Connect the power supply unit (G) to a suitable socket (see safety instructions), insert the charging plug into the charging socket (H) underneath the pool cleaner and fully charge the pool cleaner (4 hours)
- To protect the swivel plates, please note that the pool cleaner must not be placed upside down
- The indicator lamp on the charger must be illuminated red during the charging process
- The indicator lamp on the charger lights up green after the pool cleaner has been fully charged
- After you have removed the charging plug from the charging socket (H), make sure that the rubber plug is fitted to the charging socket (H)
- Charge up the cleaner fully before each use
- Mount the retrieval hook (E) on a suitable rod (not included in the scope of delivery)



Commissioning

- Only use the pool cleaner at temperatures between 10 °C and 35 °C
- Hold the pool cleaner by the handle (A), immerse it in the water and make rotating movements so that air can escape from the pool cleaner. S
- Switch the pool cleaner on at the on/off switch (I) underneath the pool cleaner, carefully lower it into the water and carefully lower it to the bottom using the retrieval hook (E)
- The pool cleaner emits an acoustic signal as long as the pool cleaner is not completely submerged in water
- The pool robot starts automatically after approx. 5 seconds.
- Make sure that the pool cleaner is not lowered along the wall, as this can damage the foil/pool

Setting the running property

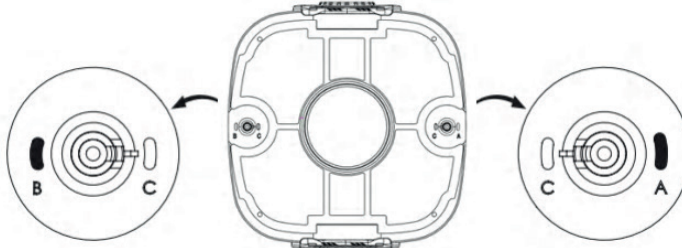
The pool cleaner has 2 adjustable wheels (19). Turning the wheels changes the running behaviour of the pool cleaner. To adjust, open the two buckles (22) and remove the chassis (D). Remove the two wheels and fit them according to the following guidelines for the following pools:





GB Robotclean Accu XS Operating Manual and Parts List

Combination	Suitable for pool
A – C	Suitable for most pools
B – C	For smaller angles than A – C
C – C	For rectangular or long pools
A – B	For round pools



Cleaning process

General advice

- The Accu XS RobotClean is intended for regular cleaning of the pool floor.
- The robot must be used in clean water.
- The pH-value of the pool water should be between 7.0 and 7.4.
- When commissioning the pool after winter storage, the floor must be cleaned for the first time with a landing net or vacuum cleaner before the robot is used.

The pool cleaner works according to the chaotic cleaning principle, which means that it automatically changes direction as soon as it touches the pool wall. The battery is drained after approx. 50 minutes of cleaning. Then remove the pool cleaner, charge it according to the installation instructions and carry out the cleaning process again if necessary. The pool cleaner and filter should be cleaned after every cleaning process.

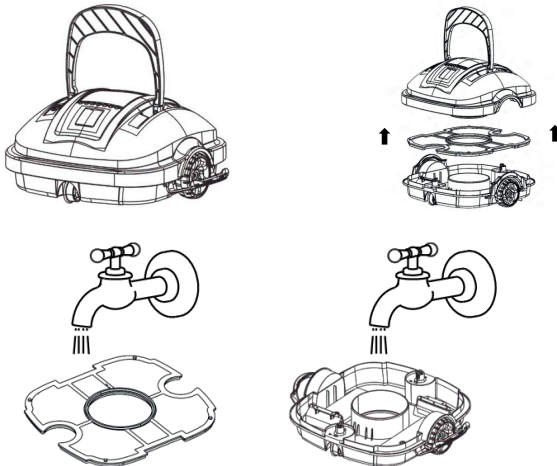
Periods out of use

The pool cleaner must be dried sufficiently after finishing cleaning. Whenever the pool cleaner is not in use, it should be stored in a shady and well ventilated place. Frost and direct sunlight should be avoided.

Maintenance and care

Cleaning the filter

Open the two buckles (22), take off the cover (B) and remove the filter (12). Clean the filter (12) and the inside of the chassis (D) under a tap or hose



Cleaning the housing

Only use water and a soft cloth. Be careful not to apply too much pressure to the housing, otherwise it may be destroyed. Do not use a coarse sponge or detergent.





Robotclean Accu XS Operating Manual and Parts List



Repairs

If the housing or power supply unit are damaged, a repair is not possible. You may not continue using the affected part and must dispose of the weather station or the transmitter.



Ordering spare parts

When ordering spare parts, or in the course of troubleshooting according to the item "Troubleshooting", we require the following information:

1. Article name
2. Article number of device
3. Copy of the invoice
4. Error description



Technical data

Article	7505519	
Power supply unit (rechargeable battery)		
Input voltage	AC 230 V / 50 Hz	
Output voltage	DC 12.6 V / 1 A	
ROBOTCLEAN		
Input voltage	DC 12.6 V, max. 30 W	
Storage temperature	10° C – 40° C	
Working temperature	10° C – 35° C	
Max. immersion depth	2 m	
Battery capacity	2600 mAh	
Battery operating time	Max. 50 min	
Dimensions	175 x 340 x 350 mm	
Technical properties		
Type of cleaning	Floor	
Cleaning surface	max. 50 m ²	
Safety system (over-voltage protection)	Yes	
Filter unit	180 Micron	
Suction power	7 m ³ /h	



Troubleshooting

Do not repair the pool cleaner yourself! If you use unsuitable parts for the repair, the risk of an electrical short circuit can increase greatly. Some problems may be caused by minor faults that you can fix yourself. To do this, follow the instructions below according to the problem in question.

If this does not solve the problem, please contact the customer service department and keep the required information at hand according to the item "Ordering spare parts".

Fault	Cause	Solution
The pool cleaner does not emit an acoustic signal and the rotor does not turn in the water	Battery too low	Charge up the battery
	Internal error	Contact your salesperson
The pool cleaner emits an acoustic signal but does not start in the water	Internal error	Contact your salesperson
The pool cleaner does not clean the entire pool floor	Incorrect setting of adjustable wheels	Change the wheels setting according to the Commissioning point
	Filter blocked	Clean the pool cleaner
	Battery drained	Charge the battery and repeat the cleaning process





GB Robotclean Accu XS Operating Manual and Parts List

2 WARRANTY

Our products are subject to stringent quality controls. However, we are very sorry if this device does fail to work properly. The following applies to the assertion of warranty claims:

1. These warranty conditions are intended exclusively for consumers, i.e. natural persons who do not intend to use this product in the course of their commercial or other self-employed activities.
2. Our warranty service covers the repair of material and manufacturing defects or the replacement of the device.
3. Warranty claims are valid for a maximum of 2 years from the date of purchase. The assertion of warranty claims after the expiry of the warranty period is excluded.
4. If the article is covered by the warranty, it will be repaired free of charge or replaced free of charge by an equivalent or similar article of our choice.

Repair or replacement of the device does not result in an extension of the warranty period, nor does this service initiate a new warranty period for the device or for any installed spare parts.

The following exclusions apply to our warranty:

- Damage to the device due to failure to observe the operating instructions
- Non-compliance with the maintenance and safety regulations or by exposure of the device to abnormal environmental conditions or by lack of care.
- Damage to the device caused by misuse or improper application (such as overloading the device or using non-approved application tools or accessories), penetration of foreign bodies into the device (such as chemicals, oils, or similar), use of force or external influences (such as damage due to dropping).
- Damage to the device or parts of the device resulting from normal, customary or other natural wear and tear.



The EU Declaration of Conformity can be requested from the following address:
www.outsideliving.com

Disposal of packaging



Dispose of the packaging according to type. Put cardboard and card into waste paper, and foil and bags in the recyclables collection



Separate collection and disposal of used appliances

Electrical and electronic equipment that has become waste is referred to as waste equipment. Owners of waste equipment must dispose of it separately from unsorted municipal waste. Waste equipment in particular does not belong in household waste, but in special collection and return systems. Options for returning waste equipment: Owners of waste equipment from private households can return it to the collection points of the public waste management authorities or to the collection points set up by manufacturers or distributors within the meaning of the Electrical and Electronic Equipment Act, e.g. a collection point in your municipality/district that takes care of professional recycling, or directly to the manufacturer. Disposal is free of charge for you.



BATTERIE RÜCKNAHME

Battery type	Chemical system
Rechargeable battery	Lithium-ion (Li-ion)

Disposal of batteries and rechargeable batteries:

Batteries and rechargeable batteries may not be disposed of in the household waste. Consumers are legally obliged to take batteries and rechargeable batteries for separate collection.

Batteries and rechargeable batteries can be handed in free of charge at a collection point in your municipality/district or in shops so that they can be disposed of in an environmentally friendly way and valuable raw materials can be recovered. In case of improper disposal, toxic ingredients may be released into the environment, causing adverse health effects to humans, animals and plants.

Batteries and rechargeable batteries contained in electrical appliances must be disposed of separately from the appliance whenever possible. Only return batteries and rechargeable batteries when they are discharged.

For batteries and rechargeable batteries containing lithium, tape off the terminals before disposal to prevent external short-circuiting. A short circuit can lead to a fire or explosion.

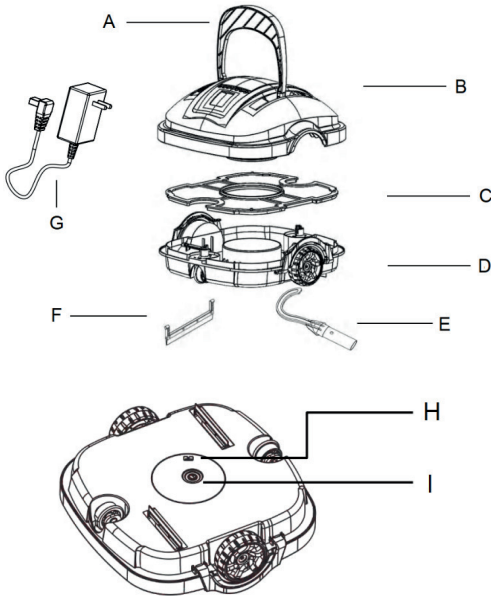




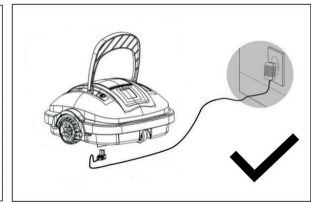
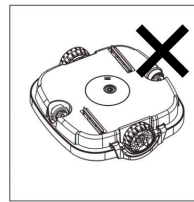
ⓓ Robotclean Accu XS Betriebsanleitung und Teileliste



Bauteile / Lieferumfang



No.	Bezeichnung
A	Handgriff
B	Abdeckung
C	Filter
D	Chassis
E	Rückholhaken
F	Spachtel
G	Netzteil
H	Ladebuchse
I	An/ Aus-Schalter



Teileliste

1	Handgriff	13	Gewichtsblok
2	Obere Abdeckung	14	Großes Rad
3	Wasserschutzabdeckung	15	Radinnenabdeckung
4	Abdeckung	16	Radaußenabdeckung
5	Wasserführungsabdeckung	17	Bolzen
6	Wasserführung	18	Radunterstützung
7	Mittlere Abdeckung	19	Kleines Rad
8	Feder	20	Radwelle
9	Motorblock	21	Chassis
10	Schwenkplattenhalterung	22	Verschlusschnallen
11	Wasserschild	23	Wassereinlassabdeckung
12	Filter		





Robotclean Accu XS Betriebsanleitung und Teilliste



Allgemeine Informationen

Sehr geehrter Kunde, sehr geehrte Kundin,

Diese Bedienungsanleitung enthält wichtige Informationen zur Inbetriebnahme und Benutzung. Lesen Sie die Bedienungsanleitung sorgfältig durch, bevor Sie den Poolreiner verwenden. Dies gilt insbesondere für die Sicherheitshinweise. Andernfalls können Sie sich verletzen, oder den Poolreiner beschädigen. Bewahren Sie die Bedienungsanleitung für die weitere Nutzung auf. Wenn Sie den Poolreiner an Dritte weitergeben, händigen Sie unbedingt auch diese Bedienungsanleitung mit aus. Diese Bedienungsanleitung kann auch als PDF-Datei von unserer Internetseite www.outsideliving.com heruntergeladen werden.



Sicherheitsanweisung

Dieses Gerät kann von Kindern ab 8 Jahren und darüber, sowie von Personen mit verringerten physischen, sensorischen oder mentalen Fähigkeiten oder Mangel an Erfahrung und Wissen benutzt werden, wenn sie beaufsichtigt oder bezüglich des sicheren Gebrauchs des Gerätes unterwiesen wurden und die daraus resultierenden Gefahren verstehen. Reinigung und Benutzerwartung dürfen nicht von Kindern ohne Beaufsichtigung durchgeführt werden.

Der Poolreiner ist ausschließlich für den privaten Gebrauch bestimmt und nicht für gewerbliche Anwendungen geeignet. Verwenden Sie den Poolreiner nur wie in dieser Bedienungsanleitung beschrieben. Jede andere Verwendung gilt als nicht bestimmungsgemäß und kann zu Sach-/ oder Personenschäden führen. Der Poolreiner ist kein Kinderspielzeug. Der Hersteller oder Händler übernimmt keine Haftung für Schäden, die durch nicht bestimmungsgemäßen oder falschen Gebrauch entstanden sind.

- Achten Sie darauf, dass der Poolreiner zur Montage auf einem ebenen und stabilen Untergrund steht.
- Benutzen Sie das Netzteil nur in einer vorschriftsmäßig installierten Steckdose mit einer Netzspannung von 230 V Wechselspannung im Innenbereich.
- Die Spannungsversorgung des Netzteils muss mindestens 3,5 Meter vom Pool entfernt sein. Die Spannungsversorgung muss über einen Fehlerstromschutzschalter (FISchutzschalter) mit einem Fehler-Nennstrom von nicht mehr als 30 mA versorgt werden.
- Das Netzteil darf nicht mit Wasser oder Feuchtigkeit in Berührung kommen.
- Entfernen Sie unverzüglich das Netzteil aus der Steckdose, wenn eine Störung auftritt oder das Gerät für längere Zeit nicht genutzt wird.
- Verwenden Sie ausschließlich das mitgelieferte Netzteil
- Ziehen Sie das Netzteil nicht am Kabel, um den Stecker aus der Steckdose zu entfernen.
- Verlegen Sie das Kabel des Netzteils so, dass es nicht mit scharfkantigen oder heißen Gegenständen in Berührung kommen kann.
- Bewahren Sie den Poolreiner und das Netzteil außerhalb der Reichweite von Kindern auf.
- Platzieren Sie den Poolreiner oder das Netzteil nicht in der Nähe von extremen Temperaturen und schützen Sie den Transformator vor Feuchtigkeit
- Das Stromkabel des Netztes kann nicht ersetzt werden. Wenn das Kabel beschädigt ist, darf das betroffene Gerät nicht mehr verwendet werden und muss ordnungsgemäß entsorgt werden.
- Betreten Sie nicht den Swimmingpool, wenn der Poolreiner in Betrieb ist.
- Entfernen Sie vor dem Einsatz des Poolreinigers alle Gegenstände aus dem Pool, die die Leistung des Poolreinigers beeinträchtigen können.
- Schalten Sie nicht den Poolreiner ein, solange er nicht im Wasser ist.
- Nehmen Sie den Poolreiner nach jedem Einsatz aus dem Pool. Wenn der Poolreiner ständig im Pool belassen wird, kann dies zu zusätzlichen Serviceanforderungen führen.



Poolreiner und Lieferumfang prüfen

Beschädigungsgefahr,

Wenn Sie die Verpackung unvorsichtig mit einem scharfen Messer oder einem anderen spitzen Gegenstand öffnen, kann der Poolreiner oder das Zubehör beschädigt werden. Nehmen Sie den Poolreiner aus der Verpackung. Kontrollieren Sie, ob der Poolreiner oder das Zubehör Schäden aufweisen. Sollte dies der Fall sein, wenden Sie sich umgehend an den Händler.



Montage

Nachdem Sie den Poolreiner aus der Verpackung entnommen haben, können Sie den Poolreiner in Betrieb nehmen. Dazu gehen sie wie folgt vor:

- Installieren Sie die Spachtel (F) um die Saugwirkung zu verstärken, wenn der Poolboden sehr verschmutzt ist. Es wird nicht empfohlen die Spachtel (F) zu montieren, sollte der Poolboden uneben oder mit vielen Löchern versehen sein. Dadurch kann sich der Poolreiner verfangen und die Folie beschädigen
- Montieren Sie den Handgriff (A) am Poolreiner mit den beiden enthaltenen Schrauben
- Schließen Sie das Netzteil (G) an eine geeignete Steckdose an (siehe Sicherheitsanweisung), stecken Sie den Ladestecker in die Ladebuchse (H) unterhalb des Poolreinigers und laden Sie den Poolreiner vollständig auf (4 Stunden)
- Beachten Sie, dass zum Schutze der Schwenkplatten der Poolreiner nicht auf dem Kopf gestellt werden darf
- Während des Ladevorganges muss die Anzeigelampe am Ladegerät rot leuchten
- Nach dem vollständigen Aufladen des Poolreinigers leuchtet die Anzeigelampe am Ladegerät grün
- Nachdem Sie den Ladestecker aus der Ladebuchse (H) entfernt haben, vergewissern Sie sich, dass der Gummistopfen auf die Ladebuchse (H) montiert wird
- Laden Sie den Reiner vor jedem Gebrauch vollständig auf
- Montieren Sie den Rückhaken (E) an einer geeigneten Stange (nicht im Lieferumfang enthalten)



Inbetriebnahme

- Verwenden Sie den Poolreiner nur bei Temperaturen zwischen 10 °C und 35 °C
- Greifen Sie den Poolreiner am Handgriff (A), tauchen ihn im Wasser ein und führen rotierende Bewegungen aus, damit Luft aus dem Poolreiner entweichen kann. S
- Schalten Sie den Poolreiner am An/ Aus-Schalter (I) unterhalb des Poolreinigers ein, lassen diesen vorsichtig ins Wasser und lassen Sie ihn mit Hilfe des Rückhakens (E) vorsichtig auf den Grund des Bodens abtauchen
- Der Poolreiner gibt ein akustisches Signal ab, solange der Poolreiner nicht völlig unter Wasser getaucht ist
- Der Poolroboter startet nach ca. 5 Sekunden automatisch
- Achten Sie darauf, dass der Poolreiner nicht an der Wand entlang abgelassen wird, da dies zur Beschädigung der Folie/ des Pools führen kann

Einstellen der Laufeigenschaft

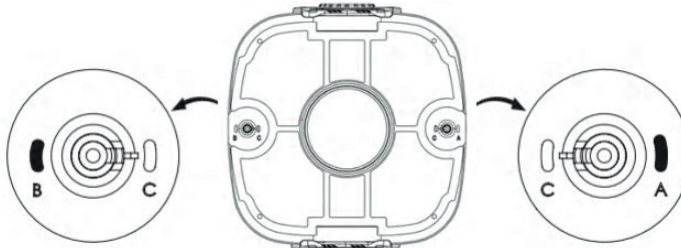
Der Poolreiner verfügt über 2 verstellbare Räder (19). Durch Drehen der Räder ändert sich das Laufverhalten des Poolreinigers. Zur Einstellung öffnen Sie die beiden Verschlusschnallen (22) und entnehmen das Chassis (D). Entnehmen Sie die beiden Räder und montieren Sie diese nach folgenden Richtwerte für folgende Pools:





D Robotclean Accu XS Betriebsanleitung und Teileliste

Kombination	Geeignet für Pool
A – C	Für die meisten Pools geeignet
B – C	Für kleinere Winkel als A – C
C – C	Für rechteckige oder lange Pools
A – B	Für runde Pools



Reinigungsprozess

Allgemeine Hinweise

- Der Accu XS RobotClean ist für die regelmäßige Reinigung des Beckenbodens gedacht.
- Der Roboter muss in sauberem Wasser verwendet werden
- Der pH-Wert des Poolwassers sollte zwischen 7,0 und 7,4 liegen.
- Bei der Inbetriebnahme des Pools nach der Überwinterung muss vor dem Einsatz des Roboters eine erste Reinigung des Bodens mit einem Kescher oder einem Staubsauger durchgeführt werden.

Der Poolreiniger arbeitet nach dem chaotischen Reinigungsprinzip, d.h. er wechselt die Richtung automatisch, sobald er die Beckenwand berührt. Nach ca. 50 Minuten Reinigung ist die Batterie leer. Entnehmen Sie den Poolreiniger anschließend, laden ihn gemäß den Montagehinweisen und führen den Reinigungsprozess bei Bedarf erneut aus. Nach jeder Reinigung sollte der Poolreiniger und der Filter gereinigt werden.



Bei Nichtverwendung

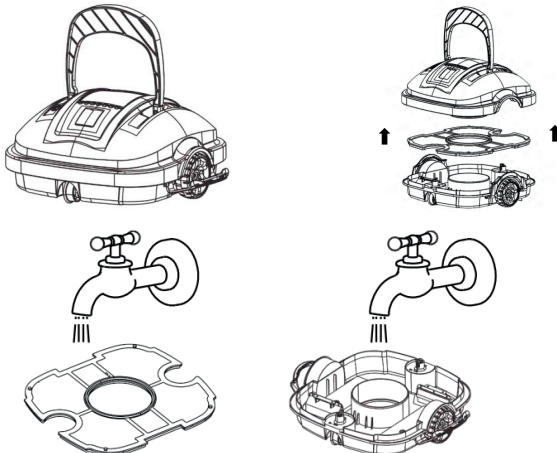
Nach Abschluss der Reinigung muss der Poolreiniger ausreichend getrocknet werden. Solange der Poolreiniger nicht benutzt wird, sollte er an einem schattigen und gut gelüfteten Platz gelagert werden. Frost und direkte Sonnenbestrahlung sind zu vermeiden.



Wartung und Pflege

Reinigung der Filter

Öffnen Sie die beiden Verschlusschnallen (22), nehmen Sie die Abdeckung (B) ab und entfernen den Filter (12). Reinigen Sie den Filter (12) und das Innere des Chassis (D) unter einem Wasserhahn oder Schlauch



Reinigung des Gehäuses

Verwenden Sie nur Wasser und ein weiches Tuch. Achten Sie darauf, nicht zu stark Druck auf das Gehäuse auszuwirken, da dieses sonst zerstört werden kann. Benutzen Sie keinen groben Schwamm oder Reinigungsmittel.





Ⓛ Robotclean Accu XS Betriebsanleitung und Teilliste



Reparaturen

Wenn das Gehäuse oder das Netzteil beschädigt sind, ist keine Reparatur möglich. Sie dürfen das betroffene Teil dann nicht weiterverwenden und müssen die Wetterstation oder den Sender entsorgen.



Ersatzteilbestellung

Bei der Ersatzteilbestellung, oder im Zuge der Problembeseitigung gemäß dem Punkt „Problembehandlung“, benötigen wir folgende Informationen:

1. Artikelname
2. Artikelnummer des Gerätes
3. Rechnungskopie
4. Fehlerbeschreibung



Technische Daten

Artikel	7505519	
Netzteil (wiederaufladbarer Akku)		
Eingangsspannung	AC 230 V / 50 Hz	
Ausgangsspannung	DC 12,6 V / 1 A	
ROBOTCLEAN		
Eingangsspannung	DC 12,6 V, max. 30 W	
Lagertemperatur	10° C – 40° C	
Arbeitstemperatur	10° C – 35° C	
Max. Eintauchtiefe	2 m	
Batteriekapazität	2600 mAh	
Batteriebetriebszeit	Max. 50 min	
Abmessungen	175 x 340 x 350 mm	
Technische Eigenschaften		
Art der Reinigung	Boden	
Reinigungsfläche	max. 50 m ²	
Sicherheitssystem (Überspannungsschutz)	ja	
Filtereinheit	180 Mikron	
Saugkraft	7 m ³ /h	



Problembehandlung

Reparieren Sie den Poolreiner nicht selbst! Wenn Sie für die Reparatur ungeeignete Teile verwenden, kann sich die Gefahr eines elektrischen Kurzschlusses stark erhöhen. Einige Probleme werden möglicherweise durch geringfügige Störungen verursacht, die Sie selbst beheben können. Befolgen Sie dazu die nachfolgenden Anweisungen gemäß dem jeweiligen Problem.

Sollte sich das Problem damit nicht beheben lassen, wenden Sie sich bitte an den Kundendienst und halten Sie die benötigten Informationen gemäß dem Punkt Ersatzteilbestellung.

Störung	Ursache	Lösung
Der Poolreiner gibt kein akustisches Signal von sich und der Rotor dreht sich nicht im Wasser	Batterie zu schwach	Laden Sie die Batterie auf
	Interner Fehler	Kontaktieren Sie Ihren Verkäufer
Der Poolreiner gibt ein akustisches Signal von sich, startet jedoch nicht im Wasser	Interner Fehler	Kontaktieren Sie Ihren Verkäufer
Der Poolreiner reinigt nicht den gesamten Poolboden	Falsche Einstellung der verstellbaren Räder	Ändern Sie die Einstellung der Räder gemäß dem Punkt Inbetriebnahme
	Filter verstopft	Reinigen Sie den Poolreiner
	Batterie leer	Laden Sie die Batterie und wiederholen Sie den Reinigungsprozess





D Robotclean Accu XS Betriebsanleitung und Teilliste

2 Garantie

Unsere Produkte unterliegen einer strengen Qualitätskontrolle. Sollte dieses Gerät dennoch einmal nicht einwandfrei funktionieren, bedauern wir dies sehr. Für die Geltendmachung von Garantieansprüchen gilt folgendes:

1. Diese Garantiebedingungen richten sich ausschließlich an Verbraucher, d.h. natürliche Personen, die dieses Produkt weder im Rahmen ihrer gewerblichen noch anderen selbstständigen Tätigkeit nutzen wollen.
2. Unsere Garantieleistung erstreckt sich über die Behebung von Material- und Herstellungsfehler bzw. den Austausch des Gerätes.
3. Garantieansprüche gelten maximal 2 Jahre ab Kaufdatum. Die Geltendmachung von Garantieansprüchen nach Ablauf des Garantiezeitraumes ist ausgeschlossen.
4. Wenn der Artikel unter die Garantiebestimmungen fällt, wird er kostenlos repariert oder kostenlos durch einen gleichen oder nach unserer Wahl einen vergleichbaren Artikel ersetzt.

Die Reparatur oder der Austausch des Gerätes führt weder zu einer Verlängerung der Garantiezeit, noch wird eine neue Garantiezeit durch diese Leistung für das Gerät oder für etwaige eingebaute Ersatzteile in Gang gesetzt.

Von unserer Garantie ausgenommen sind:

- Schäden am Gerät, die durch Nichtbeachtung der Gebrauchsanleitung
- Nichtbeachtung der Wartungs- und Sicherheitsbestimmungen oder durch Aussetzen des Gerätes an anomale Umweltbedingungen oder durch mangelnde Pflege entstanden sind.
- Schäden am Gerät, die durch missbräuchliche oder unsachgemäße Anwendung (wie z.B. Überlastung des Gerätes oder Verwendung von nicht zugelassenen Einsatzwerkzeugen oder Zubehör), Eindringen von Fremdkörpern in das Gerät (wie z.B. Chemikalien, Öle, o.ä.), Gewaltanwendung oder Fremdeinwirkungen (wie z.B. Schäden durch Herunterfallen) entstanden sind.
- Schäden am Gerät oder an Teilen des Gerätes, die auf einen gebrauchsgemäßen, üblichen oder sonstigen natürlichen Verschleiß zurückzuführen sind.



Die EU-Konformitätserklärung kann bei folgender Adresse angefordert werden:
www.outsideliving.com

Entsorgung von Verpackungen



Entsorgen Sie die Verpackung sortenrein. Geben Sie Pappe und Karton zu Altpapier, Folien und Beutel in die Wertstoffsammlung



Getrennte Erfassung und Entsorgung von Altgeräten

Elektro- und Elektronikgeräte, die zu Abfall geworden sind, werden als Altgeräte bezeichnet. Besitzer von Altgeräten haben diese einer vom unsortierten Siedlungsabfall getrennten Erfassung zuzuführen. Altgeräte gehören insbesondere nicht in den Hausmüll, sondern in spezielle Sammel- und Rückgabesysteme. Möglichkeiten der Rückgabe von Altgeräten: Besitzer von Altgeräten aus privaten Haushalten können diese bei den Sammelstellen der öffentlich-rechtlichen Entsorgungsträger oder bei den von Herstellern oder Vertreibern im Sinne des ElektroG eingerichteten Rücknahmestellen, bei z.B. einer Sammelstelle seiner Gemeinde/ Stadtteils abgeben, die sich der fachgerechten Verwertung annehmen bzw. beim Hersteller direkt abgeben. Die Entsorgung ist für Sie kostenfrei.

Batterietyp	Chemisches System
Akkumulator	Lithium-Ionen (Li-ion)



**BATTERIE
RÜCKNAHME**

Entsorgung von Batterien und Akkus:

Batterien und Akkus dürfen nicht zusammen mit dem Hausmüll entsorgt werden. Verbraucher sind gesetzlich dazu verpflichtet, Batterien und Akkus einer getrennten Sammlung zuzuführen.

Batterien und Akkus können unentgeltlich bei einer Sammelstelle Ihrer Gemeinde/Ihres Stadtteils oder im Handel abgegeben werden, damit sie einer umweltschonenden Entsorgung sowie einer Wiedergewinnung von wertvollen Rohstoffen zugeführt werden können. Bei einer unsachgemäßen Entsorgung können giftige Inhaltsstoffe in die Umwelt gelangen, die gesundheitsschädigende Wirkungen auf Menschen, Tiere und Pflanzen haben. In Elektrogeräten enthaltene Batterien und Akkus müssen nach Möglichkeit getrennt von ihnen entsorgt werden. Geben Sie Batterien und Akkus nur in entladene Zustand ab.

Kleben Sie bei lithiumhaltigen Batterien und Akkus vor der Entsorgung die Pole ab, um einen äußeren Kurzschluss zu vermeiden. Ein Kurzschluss kann zu einem Brand oder einer Explosion führen.

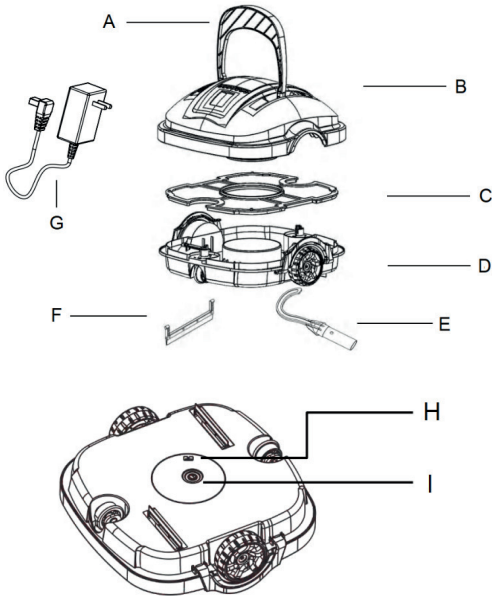




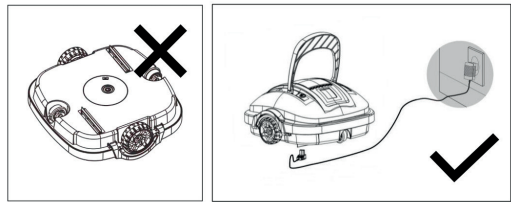
NL Robotclean Accu XS Pool bedieningshandleiding en onderdelenlijst



Onderdelen / Leveringsomvang



No.	Aanduiding
A	Handgreep
B	Afdekking
C	Filter
D	Chassis
E	Ophaalhaak
F	Spatel
G	Voeding
H	Laadaansluiting
I	Aan-/uitschakelaar



Parts list

1	Handgreep	13	Gewichtsblok
2	Bovenste afdekking	14	Groot wiel
3	Waterbeschermingsafdekking	15	Inwendige wielafdekking
4	Afdekking	16	Uitwendige wielafdekking
5	Watergeleidingsafdekking	17	Bout
6	Watergeleiding	18	Wielondersteuning
7	Middelste afdekking	19	Klein wiel
8	Veer	20	Wielas
9	Motorblok	21	Chassis
10	Zwenkplathouder	22	Sluitingen
11	Waterschild	23	Waterinlaatafdekking
12	Filter		





Robotclean Accu XS Pool bedieningshandleiding en onderdelenlijst



Algemene informatie

Geachte klant,

Deze gebruiksaanwijzing bevat belangrijke informatie over de eerste ingebruikneming en het verdere gebruik. Leest u de gebruiksaanwijzing zorgvuldig door voordat u de zwembadrobot in gebruik neemt. Dit geldt met name voor de veiligheidsinstructies. U zou zich anders kunnen bezeren of de zwembadrobot raakt dan misschien beschadigd. Bewaar deze gebruiksaanwijzing goed, zodat u later nog dingen kunt opzoeken. Wanneer u de zwembadrobot doorverkoop of afstaat, moet u daar deze gebruiksaanwijzing beslist ook bij doen. Deze gebruiksaanwijzing kan ook als PDF-bestand van onze website www.outsideliving.com worden gedownload.



Veiligheidsinstructie

Dit apparaat kan worden gebruikt door kinderen vanaf 8 jaar, door mensen met verminderde fysieke, zintuiglijke of geestelijke vermogens of door personen die niet over de hiervoor benodigde ervaring en kennis beschikken, mits hierbij op al deze mensen toezicht wordt gehouden. Bovendien moet hen dan worden uitgelegd hoe dit apparaat veilig te gebruiken is en wat daarbij de mogelijke gevaren zijn. Kinderen mogen het apparaat niet zonder toezicht schoonmaken of er onderhoud aan verrichten.

De zwembadrobot is uitsluitend voor privé-gebruik en zeker niet voor commerciële doeleinden bedoeld. Gebruik de zwembadrobot alleen zoals beschreven in deze gebruiksaanwijzing. Elk ander gebruik wordt gezien als oneigenlijk en kan tot beschadiging en zelfs tot persoonlijk letsel leiden. De zwembadrobot is geen kinderspeelgoed. De fabrikant of de verkoper aanvaardt geen aansprakelijkheid voor schade die door oneigenlijk of verkeerd gebruik is ontstaan.

- Zorg ervoor dat de zwembadrobot op een vlakke en stabiele ondergrond staat wanneer u deze installeert.
- Gebruik de voeding alleen in het binnenbereik in een correct geïnstalleerd stopcontact met een netspanning van 230 V AC.
- De spanningsvoorziening van de voeding moet minimaal 3,5 meter van het zwembad verwijderd zijn. De voeding moet worden geleverd via een aardlekschakelaar (FI-stroomonderbreker) met een nominale foutstroom van maximaal 30 mA.
- De voeding mag niet in contact komen met water of vocht.
- Haal de voeding onmiddellijk uit het stopcontact als er een storing optreedt of als het apparaat langere tijd niet wordt gebruikt.
- Gebruik uitsluitend de meegeleverde voeding
- Trek niet aan de voedingskabel om de stekker uit het stopcontact te halen.
- Leg de voedingskabel zo dat deze niet in contact kan komen met scherpe of hete voorwerpen.
- Houd de zwembadrobot en de voeding buiten het bereik van kinderen.
- Plaats de zwembadrobot of voeding niet in de buurt van extreme temperaturen en bescherm de transformator tegen vocht
- De stroomkabel van de voeding kan niet worden vervangen. Als de kabel beschadigd is, mag het betreffende apparaat niet meer worden gebruikt en moet het op de juiste manier worden afgevoerd.
- Betreed het zwembad niet als de zwembadrobot in werking is.
- Voordat u uw zwembadrobot gebruikt, dient u alle voorwerpen uit het zwembad te verwijderen die de prestaties van de robot kunnen beïnvloeden.
- Schakel de zwembadrobot niet in als deze zich niet in het water bevindt.
- Haal de zwembadrobot na elk gebruik uit het zwembad. Als u de zwembadrobot continu in het zwembad houdt, kan dit extra onderhoud met zich meebrengen.



Controleer de zwembadrobot en de leveringsomvang

Gevaar voor beschadiging

Wanneer u de verpakking onvoorzichtig openmaakt met een scherp mes of een ander puntig voorwerp, kan de zwembadrobot of een van de toebehoren beschadigd raken. Haal de zwembadrobot uit de verpakking. Controleer of de zwembadrobot of een van de toebehoren beschadigingen vertoont. Mocht dit het geval zijn, neemt u dan direct contact op met de winkel waar u het gekocht hebt.



Montage

Nadat u de zwembadrobot uit de verpakking heeft gehaald, kunt u deze in gebruik nemen. Ga hiervoor als volgt te werk:

- Installeer de spatels (F) om de zuigkracht te vergroten als de zwembadbodem erg vuil is. Het wordt niet aanbevolen om de spatel (F) te installeren als de zwembadvloer oneffen is of veel gaten bevat. Hierdoor kan de zwembadrobot vast komen te zitten en de folie beschadigd raken
- Bevestig de handgreep (A) aan de zwembadrobot met behulp van de twee meegeleverde schroeven
- Sluit de voeding (G) aan op een geschikt stopcontact (zie veiligheidsinstructies), steek de oplaadstekker in de laadaansluiting (H) onder de zwembadrobot en laad de zwembadrobot volledig op (4 uur)
- Houd er rekening mee dat ter bescherming van de zwenkplaten de zwembadrobot niet ondersteboven mag worden geplaatst
- Tijdens het laadproces moet het indicatielampje op de lader rood oplichten
- Nadat de zwembadrobot volledig is opgeladen, wordt het indicatielampje op de oplader groen
- Nadat u de laadstekker uit de laadaansluiting (H) hebt verwijderd, moet u ervoor zorgen dat de rubberen stop op de laadaansluiting (H) is geïnstalleerd.
- Laad de robot vóór elk gebruik volledig op
- Monteer de vanghaak (E) op een geschikte stang (niet meegeleverd)



Inbedrijfstelling

- Gebruik de zwembadrobot alleen bij temperaturen tussen 10 °C en 35 °C
- Pak de zwembadrobot bij de handgreep (A), dompel hem onder in het water en maak draaiende bewegingen om lucht uit de zwembadrobot te laten ontsnappen. S
- Schakel de zwembadrobot in met de aan/uit-schakelaar (I) onder de zwembadrobot, laat hem voorzichtig in het water zakken en gebruik de ophaalhaak (E) om hem voorzichtig naar de zwembadbodem te laten zakken
- De zwembadrobot geeft een akoestisch signaal af zolang deze niet volledig in water is ondergedompeld
- De zwembadrobot start automatisch na ca. 5 seconden
- Zorg ervoor dat u de zwembadrobot niet langs de muur neerlaat, omdat dit de folie/het zwembad kan beschadigen

Instellen van de loopeigenschappen

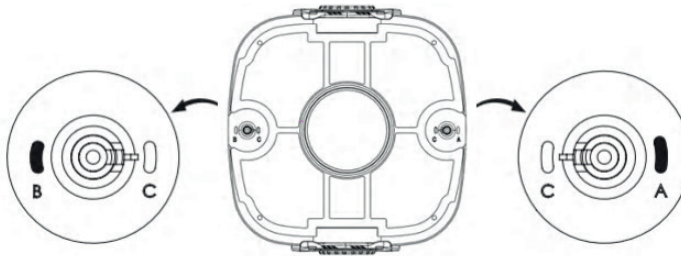
De zwembadrobot heeft 2 verstelbare wielen (19). Door de wielen te draaien verandert het loopgedrag van de zwembadrobot. Om af te stellen, opent u de twee sluitingen (22) en verwijderd u het chassis (D). Verwijder de beide wielen en monteer ze volgens de volgende richtlijnen voor de volgende zwembaden:





NL Robotclean Accu XS Pool bedieningshandleiding en onderdelenlijst

Combinatie	Geschikt voor zwembad
A – C	Geschikt voor de meeste zwembaden
B – C	Voor kleinere hoeken dan A – C
C – C	Voor rechthoekige of lange zwembaden
A – B	Voor ronde zwembaden



Reinigingsproces

Algemene aanwijzingen

- De Accu XS RobotClean is bedoeld voor het regelmatig reinigen van de zwembadbodem.
- De robot moet in schoon water worden gebruikt
- De pH-waarde van het zwembadwater moet tussen 7,0 en 7,4 liggen.
- Wanneer het zwembad na het winterseizoen opnieuw in gebruik wordt genomen, moet vóór het gebruik van de robot een eerste reiniging van de vloer worden uitgevoerd met een schepnet of een stofzuiger.

De zwembadrobot werkt volgens het chaotische reinigingsprincipe, d.w.z. hij verandert automatisch van richting zodra hij de zwembadwand raakt. Na ongeveer 50 minuten schoonmaken is de accu leeg. Verwijder vervolgens de zwembadrobot, laad deze volgens de montagehandleiding en voer indien nodig het reinigingsproces opnieuw uit. De zwembadrobot en het filter moeten na elke reiniging worden gereinigd.

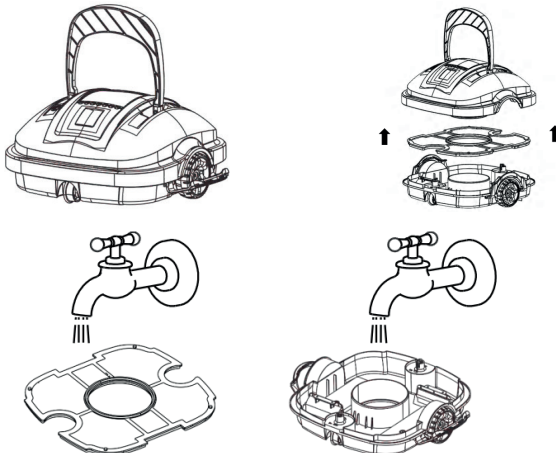
Buitenbedrijfstelling

Na het schoonmaken moet de zwembadrobot voldoende worden gedroogd. Zolang de zwembadrobot niet in gebruik is, moet deze op een schaduwrijke en goed geventileerde plaats worden bewaard. Vermijd vorst en direct zonlicht.

Onderhoud en schoonmaken

Filterreiniging

Open de twee sluitingen (22), verwijder de afdekking (B) en verwijder het filter (12). Reinig het filter (12) en de binnenkant van het chassis (D) onder de kraan of slang



Schoonmaken van de behuizing
Gebruik alleen water en een zachte doek. Zorg ervoor dat u niet al te veel druk op de behuizing uitoefent, want die kan daar niet tegen. Gebruik geen grove spons of schoonmaakmiddelen.





NL Robotclean Accu XS Pool bedieningshandleiding en onderdelenlijst



Reparaties

Wanneer de behuizing of de voeding beschadigd is, kan dat niet worden gerepareerd. Het betreffende onderdeel moet u dan niet meer gebruiken en u moet het weerstation of de zender laten afvoeren.



Bestellen van vervangende onderdelen

Bij het bestellen van vervangende onderdelen of vanwege het oplossen van een probleem zoals beschreven bij „Probleemoplossing“ hebben wij de volgende informatie nodig:

1. Naam van het artikel
2. Artikelnummer van het apparaat
3. Kopie van de factuur
4. Omschrijving van de storing



Technische gegevens

Artikel	7505519
Voeding (oplaadbare accu)	
Ingangsspanning	AC 230 V / 50 Hz
Uitgangsspanning	DC 12,6 V / 1 A
ROBOTCLEAN	
Ingangsspanning	DC 12,6 V, max. 30 W
Opslagtemperatuur	10 °C – 40 °C
Werktemperatuur	10 °C – 35 °C
Max. onderdompelingsdiepte	2 m
Accucapaciteit	2600 mAh
Accu duur	Max. 50 min
Afmetingen	175 x 340 x 350 mm
Technische eigenschappen	
Type reiniging	Bodem
Reinigingsoppervlak	max. 50 m ²
Veiligheidssysteem (overspanningsbeveiliging)	ja
Filtereenheid	180 micron
Zuigkracht	7 m ³ /h



Probleemoplossing

Ga de zwembadrobot niet zelf proberen te repareren! Wanneer u bij het repareren onderdelen gebruikt die in feite ongeschikt zijn, wordt het gevaar voor kortsluiting alleen maar groter. Er kunnen zich soms wat problemen voordoen die mogelijk worden veroorzaakt door kleine storingen die u zelf kunt verhelpen. Volgt u daartoe dan de volgende instructies behorend bij het desbetreffende probleem.

Mocht een en ander niet leiden tot een oplossing van het probleem, neem dan contact op met de klantenservice en zorg ervoor dat u de daarvoor benodigde informatie bij de hand houdt, zoals aangegeven bij de informatie over het bestellen van vervangende onderdelen

Storing	Oorzaak	Oplossing
De zwembadrobot geeft geen akoestisch signaal en de rotor draait niet in het water	De batterij is te zwak	Laat de batterij op
	Interne fout	Neem contact op met uw verkoper
De zwembadrobot geeft een geluidssignaal, maar start niet in het water	Interne fout	Neem contact op met uw verkoper
De zwembadrobot reinigt niet de gehele zwembadbodem	Verkeerde afstelling van de verstelbare wielen	Wijzig de instelling van de wielen volgens de inbedrijfstellinginformatie
	Filter verstopt	Reinig de zwembadrobot
	Batterij is leeg	Laad de batterij op en herhaal het reinigingsproces





NL Robotclean Accu XS Pool bedieningshandleiding en onderdelenlijst

2 GARANTIE

Onze producten worden onderworpen aan een strenge kwaliteitscontrole. Mocht dit apparaat desondanks ooit een keer niet storingsvrij functioneren, dan betreuren wij dat ten zeerste. Voor het indienen van garantieclaims geldt het volgende:

1. Deze garantievoorwaarden zijn uitsluitend bedoeld voor gebruikers, dat wil zeggen natuurlijke personen die noch in het kader van commerciële verrichtingen, noch bij andere activiteiten in de hoedanigheid van zelfstandig ondernemer van dit product gebruik willen maken.
2. De door ons verleende garantie omvat het ongedaan maken van materiaal- en fabricagefouten, dan wel het in zijn geheel vervangen van het apparaat.
3. Garantieclaims zijn maximaal twee jaar geldig, gerekend vanaf de datum van aankoop. Na verstrijken van de garantieperiode is elk beroep op garantie uitgesloten.
4. Wanneer het artikel onder de garantievoorwaarden valt, wordt het kosteloos gerepareerd of kosteloos vervangen door eenzelfde artikel, dan wel door een artikel dat daaraan naar ons oordeel gelijkwaardig is.

De reparatie of de vervanging van het apparaat zal niet leiden tot een verlenging van de garantieperiode, en evenmin zal een nieuwe garantieperiode ingaan vanwege de aan het apparaat verrichte werkzaamheden of vanwege de daarin ingebouwde vervangende onderdelen.

Van onze garantie uitgesloten zijn:

- Schade aan het apparaat veroorzaakt door het niet opvolgen van de gebruiksaanwijzing
- Het negeren van de onderhouds- en veiligheidsinstructies, of door blootstelling van het apparaat aan abnormale weersomstandigheden dan wel vanwege gebrek aan onderhoud.
- Beschadigingen aan het apparaat die ontstaan zijn als gevolg van een verkeerd of ondeskundig gebruik (zoals overbelasting van het apparaat of gebruik van hulpstukken of toebehoren die niet zijn toegelaten), het binnendringen van vreemde voorwerpen in het apparaat (zoals chemicaliën, olie etc.), het uitoefenen van geweld of de inwerking van buiten (zoals schade door vallen).
- Beschadigingen aan het apparaat of delen daarvan waarbij de oorzaak ligt in slijtage door gebruik, normale slijtage en andere natuurlijke slijtage



De EU verklaring voor conformiteit kan worden opgevraagd bij het volgende adres:
www.outsideliving.com

De verpakking als afval verwijderen



Doe de verpakking bij het gescheiden afval. Breng karton en dozen naar het oud papier, folie en plasticzakken in de daarvoor bedoelde container



Gescheiden inzameling en verwijdering van oude apparaten

Elektrische en elektronische apparatuur die tot afval moet worden verwerkt, wordt aangemerkt als afgedankte apparatuur. Eigenaren van afgedankte apparatuur moeten die brengen naar een inzamelpunt dat gescheiden is van een stortplaats voor ongesorteerd afval. Afgedankte apparaten mogen niet worden meegegeven met het gewone huisvuil maar moeten worden gedeponneerd in speciale verzamel- en recyclingsystemen. Mogelijkheden voor het retourneren van afgedankte apparaten: particulariseren die eigenaar zijn van afgedankte apparaten voor huishoudelijk gebruik kunnen deze inleveren bij de officiële inzamelpunten bij hen in de gemeente, resp. ze afgeven bij de fabrikant zelf. De verwijdering is voor u gratis.



**BATTERIE
RÜCKNAHME**

Accutype	Chemisch systeem
Oplaadbare batterij	Lithium-Ionen (Li-ion)

Batterijen en accu's als afval verwijderen:

Batterijen en accu's mogen niet met het huishoudelijk afval worden meegegeven. Verbruikers zijn er wettelijk toe verplicht batterijen en accu's naar een gescheiden inzamelpunt voor afval te brengen.

Opgebruikte accu's kunt u kosteloos inleveren bij de inzamelpunten bij u in de gemeente, en overall waar accu's worden verkocht. Daardoor kunnen ze tot afval worden verwerkt op een wijze die het milieu ontziet en kunnen de waardevolle grondstoffen geschikt worden gemaakt voor hernieuwd gebruik. Bij een ondeskundige afvalverwerking kunnen giftige bestanddelen in het milieu terechtkomen die schadelijk zijn voor de gezondheid van mens, dier en plant. Batterijen en accu's moeten uit de apparaten worden gehaald en waar mogelijk apart daarvan tot afval worden verwerkt. Batterijen en accu's moet u alleen in lege toestand voor de afvalverwerking afgeven.

Bij batterijen en accu's die lithium bevatten moet u voordat u ze afgeeft voor de afvalverwerking de polen afplakken, om kortsluiting te voorkomen. Kortsluiting kan brand of een explosie veroorzaken.

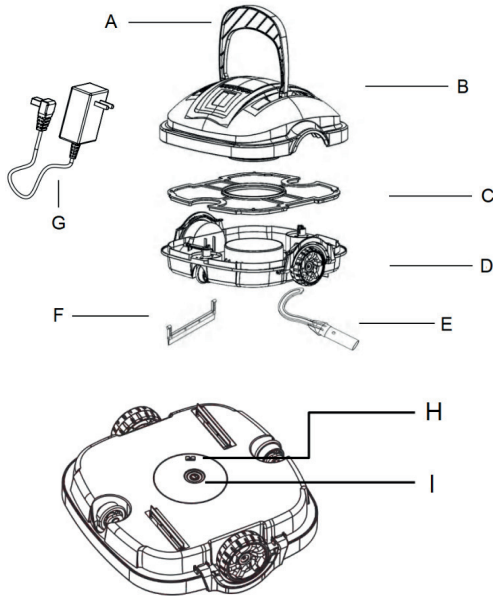




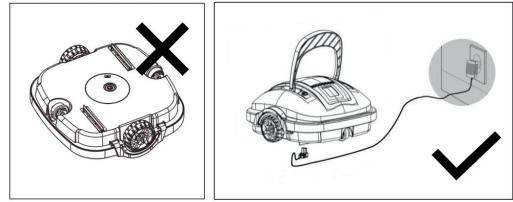
F Mode d'emploi et liste des pièces pour le Robotclean Accu XS



Pièces de l'appareil / Contenu de la livrais



N°	Désignation
A	Poignée
B	Cache
C	Filtre
D	Châssis
E	Crochet de récupération
F	Raclette
G	Bloc d'alimentation
H	Prise de recharge
I	Interrupteur de marche/arrêt



Explication

1	Poignée	13	Bloc de lestage
2	Cache supérieur	14	Grande roue
3	Cache de protection contre l'eau	15	Cache intérieur de la roue
4	Cache	16	Cache extérieur de la roue
5	Cache de conduite d'eau	17	Boulon
6	Conduite d'eau	18	Support de roue
7	Cache central	19	Petite roue
8	Ressort	20	Arbre de la roue
9	Bloc moteur	21	Châssis
10	Support de la plaque oscillante	22	Boucles de fermeture
11	Protection contre l'eau	23	Raclette
12	Filtre		





F Mode d'emploi et liste des pièces pour le Robotclean Accu XS



Informations générales

Cher client, Chère cliente,

Ce mode d'emploi contient des informations importantes pour la mise en service et l'utilisation de l'appareil. Lisez attentivement le mode d'emploi avant d'utiliser le nettoyeur de piscine. Cela vaut notamment pour les consignes de sécurité. Dans le cas contraire, vous risquez de vous blesser ou d'endommager le nettoyeur de piscine. Conservez le mode d'emploi pour une utilisation ultérieure. Si vous remettez le nettoyeur de piscine à des tiers, remettez-leur également impérativement ce mode d'emploi. Ce mode d'emploi peut également être téléchargé au format PDF sur notre site Internet www.outsideliving.com.



Consignes de sécurité

Cet appareil peut être utilisé par des enfants à partir de 8 ans et par des personnes aux capacités physiques, sensorielles ou mentales limitées ou manquant d'expérience et de connaissances à condition que ces personnes soient surveillées ou qu'elles aient été informées sur la façon d'utiliser l'appareil en toute sécurité et sur les risques qu'il présente. Le nettoyage et la maintenance ne peuvent pas être effectués par des enfants sans surveillance.

Le nettoyeur de piscine est exclusivement destiné à un usage privé et ne convient pas à un usage professionnel. Utilisez uniquement le nettoyeur de piscine conformément au présent mode d'emploi. Toute autre utilisation est considérée comme non conforme et peut entraîner des blessures ou des dommages matériels. Le nettoyeur de piscine n'est pas un jouet. Le fabricant ou le revendeur décline toute responsabilité pour les dommages causés par une utilisation non conforme ou par une mauvaise utilisation.

- Lors du montage, veillez à ce que le nettoyeur de piscine se trouve sur une surface plane et stable.
- Branchez uniquement le bloc d'alimentation à une prise installée de manière conforme avec une tension alternative de 230 V
- L'alimentation électrique pour le bloc d'alimentation doit se trouver à au moins 3,5 m de la piscine. L'alimentation électrique doit être équipée d'un interrupteur de protection contre les courants de court-circuit avec un courant nominal de perte inférieur à 30 mA.
- Le bloc d'alimentation ne peut pas entrer en contact avec de l'eau ou de l'humidité.
- Déconnectez immédiatement le bloc d'alimentation de la prise en cas de dysfonctionnement ou si l'appareil n'est pas utilisé durant une période prolongée.
- Utilisez uniquement le bloc d'alimentation fourni.
- Ne déconnectez pas le bloc d'alimentation de la prise en tirant sur le câble.
- Posez le câble du bloc d'alimentation de manière à ce qu'il n'entre pas en contact avec des objets aux arêtes coupantes ou avec des surfaces chaudes.
- Gardez le nettoyeur de piscine et le bloc d'alimentation hors de portée des enfants.
- Ne placez pas le nettoyeur de piscine ou le bloc d'alimentation à proximité de températures extrêmes et protégez le transformateur contre l'humidité.
- Le câble d'alimentation du bloc d'alimentation ne peut pas être remplacé. Si le câble est endommagé, l'appareil concerné ne peut plus être utilisé et doit être éliminé de manière conforme.
- N'entrez pas dans la piscine lorsque le nettoyeur de piscine est en marche.
- Avant d'utiliser le nettoyeur de piscine, retirez de la piscine tous les objets qui pourraient entraver l'efficacité du nettoyeur de piscine.
- Ne mettez pas le nettoyeur de piscine en marche tant qu'il n'est pas dans l'eau.
- Sortez le nettoyeur de la piscine après chaque utilisation. Si vous laissez constamment le nettoyeur de piscine dans la piscine, il peut nécessiter un entretien supplémentaire.



Contrôler le nettoyeur de piscine et la fourniture

Risque de dommages,

Si vous ouvrez l'emballage de manière imprudente avec un couteau aiguisé ou un autre objet pointu, cela risque d'endommager le nettoyeur de piscine ou les accessoires. Sortez le nettoyeur de piscine de l'emballage. Vérifiez si le nettoyeur de piscine ou les accessoires ne sont pas endommagés. Si c'est le cas, adressez-vous immédiatement à votre revendeur.



Montage

Après avoir sorti le nettoyeur de piscine de l'emballage, vous pouvez le mettre en service. Pour cela, procédez comme suit :

- Installez la radette (F) pour renforcer l'effet d'aspiration si le fond de la piscine est fortement encrassé. Il est déconseillé d'installer la radette (F) si le fond de la piscine est irrégulier ou s'il présente de nombreux trous. Le nettoyeur de piscine risquerait de rester coincé et d'abîmer le liner.
- Montez la poignée (A) sur le nettoyeur de piscine à l'aide des deux vis fournies.
- Branchez le bloc d'alimentation (G) à une prise adaptée (voir consignes de sécurité), branchez la fiche de recharge à la prise de recharge (H) sur le dessous du nettoyeur de piscine et rechargez entièrement le nettoyeur de piscine. (4 heures)
- Afin de protéger les plaques oscillantes, le nettoyeur de piscine ne doit pas être posé à l'envers
- Durant la recharge, le témoin lumineux du chargeur doit s'allumer en rouge
- Après la recharge complète du nettoyeur de piscine, le témoin lumineux du chargeur s'allume en vert
- Après avoir retiré la fiche de recharge de la prise de recharge (H), assurez-vous que le bouchon en caoutchouc est installé sur la prise de recharge (H).
- Rechargez entièrement le nettoyeur avant chaque utilisation
- Monter le crochet de récupération (E) sur une barre un manche adapté (non fourni)



Mise en service

- Utilisez uniquement le nettoyeur de piscine lorsque la température est comprise entre 10 °C et 35 °C
- Attrapez le nettoyeur de piscine par la poignée (A), plongez-le dans l'eau et effectuez des mouvements de rotation pour évacuer l'air du nettoyeur de piscine.
- Mettez le nettoyeur de piscine en marche à l'aide de l'interrupteur de marche/arrêt (I) sur le dessous du nettoyeur de piscine, plongez-le prudemment dans l'eau et déposez-le lentement au fond à l'aide du crochet de récupération (E).
- Le nettoyeur de piscine émet un signal sonore tant qu'il n'est pas entièrement immergé dans l'eau.
- Le robot nettoyeur de piscine démarre automatiquement après 5 secondes.
- Veillez à ne pas plonger le nettoyeur de piscine dans l'eau le long de la paroi, car cela pourrait endommager le liner/la piscine

Réglages des déplacements

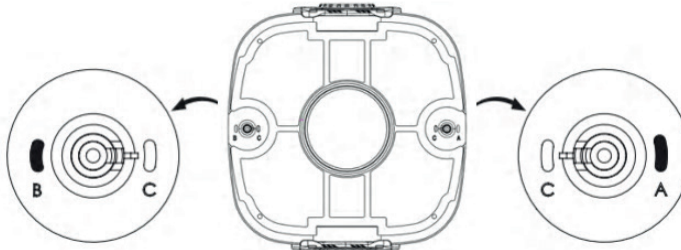
Le nettoyeur de piscine dispose de 2 roues réglables (19). Le fait de tourner les roues modifie les déplacements du nettoyeur de piscine. Pour le réglage, ouvrez les deux boucles de fermeture (22) et sortez le châssis (D). Sortez les deux roues et montez-les en fonction des valeurs de référence pour les piscines suivantes :





F Mode d'emploi et liste des pièces pour le Robotclean Accu XS

Combinaison	Convient pour les piscines
A – C	Convient à la plupart des piscines
B – C	Pour les angles inférieurs à A – C
C – C	Pour les piscines rectangulaires ou longues
A – B	Pour les piscines rondes



Processus de nettoyage

Consignes générales

Le robotclean Accu XS est destiné au nettoyage régulier du fond de la piscine.

- Le robot doit être utilisé dans une eau propre
- Le pH de l'eau de la piscine doit être compris entre 7,0 et 7,4.

- lors de la mise en route de la piscine après hivernage, un premier nettoyage du fond doit être réalisé avec une épuisette ou un aspirateur avant utilisation du robot.

Le nettoyeur de piscine fonctionne selon un principe de déplacement aléatoire, c'est-à-dire qu'il change automatiquement de direction dès qu'il entre en contact avec la paroi de la piscine. Après env. 50 minutes de nettoyage, la batterie est déchargée. Sortez alors le nettoyeur de piscine, rechargez-le conformément aux consignes de montage et effectuez un nouveau nettoyage si nécessaire.

Le nettoyeur de piscine et le filtre doivent être nettoyés après chaque utilisation.



En cas de non-utilisation

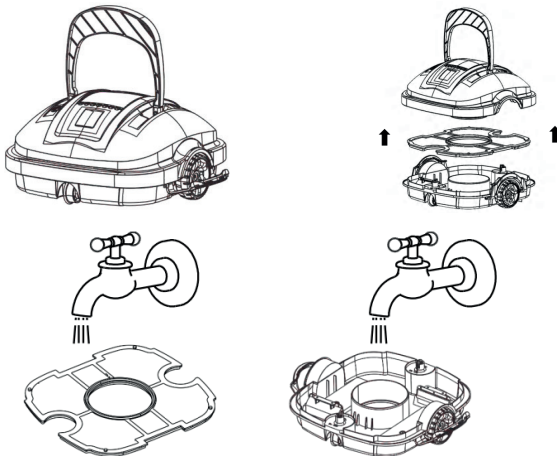
Après utilisation, le nettoyeur de piscine doit être suffisamment sec. Tant que le nettoyeur de piscine n'est pas utilisé, il doit être rangé dans un endroit ombragé et bien aéré. Le gel et l'exposition directe au soleil doivent être évités.



Maintenance et entretien

Nettoyage des filtres

Ouvrez les deux boucles de fermeture (22), retirez le cache (B) et sortez le filtre (12). Nettoyez le filtre (12) et l'intérieur du châssis (D) sous le robinet ou à l'aide d'un tuyau d'arrosage



Nettoyage du boîtier

Utilisez uniquement de l'eau et un chiffon doux. Veillez à ne pas exercer trop de pression sur le boîtier, car cela pourrait le casser. N'utilisez pas d'éponge ou de produit nettoyant agressif.



F Mode d'emploi et liste des pièces pour le Robotclean Accu XS



Réparations

Si le boîtier ou le bloc d'alimentation sont endommagés, il n'est pas possible de les réparer. Vous ne pouvez donc plus utiliser la pièce concernée et vous devez éliminer le nettoyeur de piscine ou le bloc d'alimentation.



Commande de pièces de rechange

Lors de la commande de pièces de rechange ou dans le cadre du dépannage conformément au point « Dépannage », vous avez besoin des informations suivantes :

1. Nom de l'article
2. Référence de l'appareil
3. Copie de la facture
4. Description du dysfonctionnement



Caractéristiques techniques

Article	7505519
Bloc d'alimentation (batterie rechargeable)	
Tension d'entrée	CA 230V / 50 Hz
Tension de sortie	CC 12,6V / 1 A
ROBOTCLEAN	
Tension d'entrée	CC 12,6 V, max. 30 W
Température de stockage	10 °C – 40 °C
Température de service	10 °C – 35 °C
Profondeur d'immersion max.	2 m
Capacité de la batterie	2 600 mAh
Autonomie de la batterie	Max. 50 min.
Dimensions	175 x 340 x 350 mm
Caractéristiques techniques	
Type de nettoyage	Fond
Surface de nettoyage	max. 50 m ²
Système de sécurité (protection contre la surcharge)	Oui
Unité filtrante	180 microns
Puissance d'aspiration	7 m ³ /h



Dépannage

Ne réparez pas vous-même le nettoyeur de piscine ! Si vous utilisez des pièces inadaptées pour la réparation, cela augmente fortement le risque de court-circuit. Certains problèmes sont causés par des dysfonctionnements mineurs que vous pouvez vous-même régler. Pour cela, respectez les consignes suivantes en fonction du problème constaté.

Si le problème persiste, veuillez vous adresser au service après-vente et préparer les informations nécessaires conformément au point Commande de pièces de rechange.

Panne	Cause	Solution
Le nettoyeur de piscine n'émet pas de signal sonore et le rotor ne tourne pas dans l'eau	Batterie trop faible	Rechargez la batterie
	Erreur interne	Contactez votre revendeur
Le nettoyeur de piscine émet un signal sonore, mais ne démarre pas dans l'eau	Erreur interne	Contactez votre revendeur
Le nettoyeur de piscine ne nettoie pas toute la piscine	Mauvais réglage des roues réglables	Changez la position des roues conformément au point Mise en service
	Filtre bouché	Nettoyez le nettoyeur de piscine
	Batterie déchargée	Rechargez la batterie et répétez le nettoyage



F Mode d'emploi et liste des pièces pour le Robotclean Accu XS

2 Garantie

Nos produits sont soumis à des contrôles de qualité stricts. Si vous rencontrez malgré tout un problème avec cet appareil, nous en sommes désolés. Les conditions d'intervention de la garantie sont les suivantes :

1. Ces conditions de garantie sont exclusivement destinées aux consommateurs, c'est-à-dire aux personnes physiques qui n'utilisent pas ce produit à des fins professionnelles ou dans le cadre d'une activité d'indépendant.
2. Notre garantie comprend la réparation des défauts matériels et de fabrication ainsi que l'échange de l'appareil.
3. La garantie est valable au maximum 2 ans après la date d'achat. Toute intervention de la garantie au terme de la période de garantie est exclue.
4. Lorsque l'article répond aux conditions de garantie, il est réparé gratuitement ou remplacé gratuitement par le même article ou par un article comparable.

La réparation ou l'échange de l'appareil n'entraîne ni une prolongation de la durée de la garantie, ni une nouvelle période de garantie pour l'appareil ou pour les pièces de rechange installées.

Sont exclus de notre garantie :

- Les dommages sur l'appareil causés par le non-respect du mode d'emploi
- Le non-respect des consignes de maintenance et de sécurité ou l'exposition de l'appareil à des conditions anormales ou encore par un manque d'entretien.
- Les dommages sur l'appareil causés par une utilisation abusive ou non conforme (comme la surcharge de l'appareil ou l'utilisation d'outils ou d'accessoires non autorisés), la pénétration de corps étrangers dans l'appareil (comme des produits chimiques, des huiles, etc.), l'exercice de la force ou des interventions extérieures (comme des dommages dus à une chute).
- Les dommages sur l'appareil ou sur des pièces de l'appareil causés par une usure normale, habituelle ou naturelle.



La déclaration de conformité UE peut être demandée à l'adresse suivante : www.outsideliving.com

Élimination des emballages



Éliminez l'emballage en triant les matériaux. Jetez le papier et le carton avec les vieux papiers et les films plastiques et les sachets avec les déchets recyclables.



Collecte et élimination séparées des appareils usagés

Les appareils électroniques et électriques qui doivent être éliminés sont appelés des appareils usagés. Les propriétaires d'appareils usagés sont tenus de les déposer dans un point de collecte afin qu'ils soient triés et recyclés. Les appareils usagés ne peuvent pas être jetés dans les ordures ménagères, mais doivent être rapportés dans des points de collecte et de reprise spéciaux. Possibilité de reprise des appareils usagés : les propriétaires privés d'appareils usagés peuvent les déposer dans les points de collecte du service public de collecte des déchets ou dans les points de reprise mis en place par les fabricants ou les revendeurs conformément à la loi sur l'élimination des appareils électroniques et électriques, par exemple dans un point de collecte de sa commune/son quartier, ou directement chez le fabricant. L'élimination est gratuite pour vous.



BATTERIE RÜCKNAHME

Type de pile	Système chimique
Batterie	Lithium-ion (Li-ion)

Élimination des piles et des batteries :

Les piles et les batteries ne peuvent pas être jetées dans les ordures ménagères. Les consommateurs sont légalement tenus de déposer les piles et les batteries dans un point de collecte.

Les piles et les batteries peuvent être déposées gratuitement dans un point de collecte de votre commune/quartier ou dans les magasins afin d'être éliminées de manière écologique et de permettre le recyclage des matières premières précieuses qu'elles contiennent. En cas d'élimination non conforme, des substances toxiques peuvent polluer l'environnement et affecter la santé des hommes, des animaux et des plantes.

Les piles et les batteries contenues dans les appareils électroniques et électriques doivent si possible être éliminées séparément. Les piles et les batteries doivent être déchargées avant d'être déposées dans un point de collecte.

Pour les piles et les batteries au lithium, décollez les pôles avant de les éliminer afin d'éviter un court-circuit extérieur. Un court-circuit peut entraîner un incendie ou une explosion.

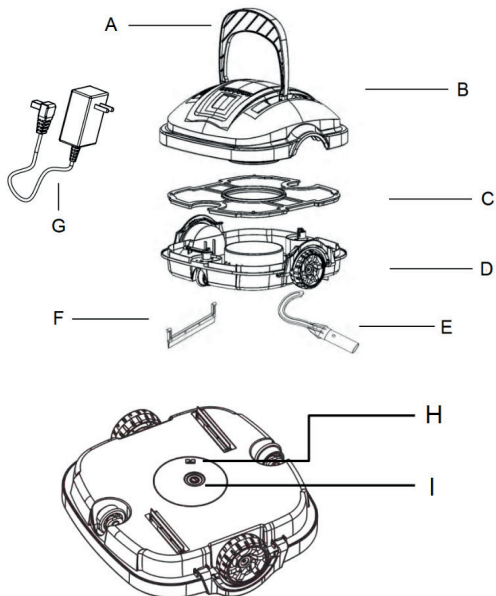




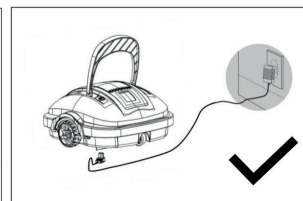
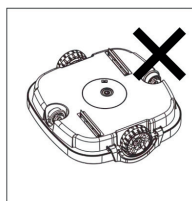
E Robotclean Accu XS: manual de instrucciones y lista de piezas



Piezas del aparato/volumen de suministro



N.º	Denominación
A	Asa
B	Cubierta
C	Filtro
D	Chasis
E	Gancho de recogida
F	Espátula
G	Fuente de alimentación
H	Conector de carga
I	Interruptor de encendido/apagado



Aclaración

1	Asa	13	Bloque de peso
2	Cubierta superior	14	Rueda grande
3	Cubierta protectora frente al agua	15	Cubierta interior de la rueda
4	Cubierta	16	Cubierta exterior de la rueda
5	Cubierta de entrada de agua	17	Pernos
6	Entrada de agua	18	Apoyo de la rueda
7	Cubierta intermedia	19	Rueda pequeña
8	Resorte	20	Eje de las ruedas
9	Bloque motor	21	Chasis
10	Soporte de la placa oscilante	22	Hebilla
11	Escudo hídrico	23	Cubierta de la entrada de agua
12	Filtro		





Robotclean Accu XS: manual de instrucciones y lista de piezas



Información general

Estimado cliente: Estimada cliente:

El presente manual contiene información importante sobre la puesta en marcha y el uso. Lea atentamente el manual antes de utilizar el limpiador de piscinas. Especialmente las indicaciones de seguridad. En caso contrario, podría sufrir lesiones o dañar el limpiador de piscinas. Conserve el manual para su uso posterior. Si pasa el limpiador de piscinas a un tercero, asegúrese de entregarle también el presente manual. Este manual también puede descargarse en formato PDF desde nuestra página web www.outsideliving.com.



Instrucciones de seguridad

Este aparato puede ser utilizado por niños a partir de 8 años y por personas con capacidades físicas, sensoriales o mentales reducidas o con falta de experiencia y conocimientos si están supervisados o si han recibido instrucciones sobre el uso del aparato de forma segura y comprenden los peligros que conlleva. La limpieza y el mantenimiento de los usuarios no los pueden realizar niños sin supervisión.

El limpiador de piscinas está destinado únicamente al uso privado y no es adecuado para aplicaciones comerciales. Únicamente utilice el limpiador de piscinas como se describe en este manual. Cualquier otro uso se considera inadecuado y puede provocar daños materiales o lesiones. El limpiador de piscinas no es un juguete. El fabricante o el distribuidor no se hace responsable de los daños derivados de un uso inadecuado o incorrecto.

- Preste atención a que el limpiador de piscinas esté colocado sobre una base lisa y estable para el montaje.
- Use la fuente de alimentación solo en una toma de corriente debidamente instalada con una tensión de red de 230 V de corriente alterna en interiores.
- El suministro de corriente de la fuente de alimentación debe estar al menos a 3,5 metros de la piscina. El suministro de corriente debe alimentarse a través de un interruptor diferencial (dispositivo de protección diferencial) con una corriente residual nominal no superior a 30 mA.
- La fuente de alimentación no debe entrar en contacto con el agua ni la humedad.
- Desenchufe de inmediato la fuente de alimentación de la toma de corriente si aparece una avería o no se va a utilizar el aparato durante mucho tiempo.
- Utilice solo la fuente de alimentación suministrada
- No tire del cable de la fuente de alimentación para desconectarla de la toma de corriente.
- Coloque el cable de la fuente de alimentación de tal forma que no pueda entrar en contacto con objetos con bordes afilados o calientes.
- Mantenga el limpiador de piscinas y la fuente de alimentación fuera del alcance de los niños.
- No coloque el limpiador de piscinas ni el transformador cerca de temperaturas externas y proteja la fuente de alimentación de la humedad
- El cable de la fuente de alimentación no se puede sustituir. No utilice el aparato si el cable está dañado; elimínelo de forma adecuada.
- No entre a la piscina cuando el limpiador esté en funcionamiento.
- Retire todos los objetos de la piscina que puedan afectar al rendimiento del limpiador de piscinas antes de ponerlo en marcha.
- No encienda el limpiador de piscinas hasta que esté en el agua.
- Saque el limpiador de la piscina después de cada uso. Dejar el limpiador en la piscina todo el tiempo puede dar lugar a requisitos de servicio adicionales.



Comprobar el limpiador de piscinas y el volumen de suministro

Riesgo de daños

Si abre el embalaje con una cuchilla afilada u otro objeto puntiagudo sin cuidado, el limpiador de piscinas o el accesorio puede sufrir daños. Retire el limpiador de piscinas del embalaje. Compruebe si el limpiador de piscinas o el accesorio están dañados. Si es el caso, póngase en contacto inmediatamente con el distribuidor.



Montaje

Después de sacar el limpiador de piscinas del embalaje, puede ponerlo en marcha. Para ello, proceda como sigue:

- Instale la espátula (F) para incrementar el efecto de aspiración si el fondo de la piscina está muy sucio. No se recomienda montar la espátula (F) si el fondo de la piscina no es regular o tiene muchos agujeros. El limpiador de piscinas podría quedarse enganchado y dañar la lámina
- Monte el mango (A) en el limpiador de piscinas con los dos tornillos incluidos
- Conecte la fuente de alimentación (G) en una toma de corriente adecuada (consulte las instrucciones de seguridad), enchufe el enchufe de carga en el conector de carga (H) en la parte inferior del limpiador de piscinas y cárguelo por completo (4 horas)
- Para proteger las placas oscilantes, no coloque el limpiador de piscinas sobre la cabeza
- La luz en el cargador debe permanecer iluminada en color rojo durante la carga
- Una vez cargado por completo, la lámpara se pone de color azul
- Después de retirar el enchufe de carga del conector (H), asegúrese de que se coloquen los tacos de goma sobre el conector de carga (H)
- Cargue el limpiador por completo antes de cada uso
- Monte el gancho de recogida (E) en una barra adecuada (no incluida en el volumen de suministro)



Puesta en marcha

- Utilice el limpiador de piscinas solo a temperaturas entre 10 °C y 35 °C
- Sujete el limpiador de piscinas por el mango (A), sumérgalo en el agua y realice movimientos giratorios para que el aire del aparato pueda escapar. S
- Encienda el limpiador de piscinas con el interruptor de apagado/encendido (I) en la parte inferior del aparato, colóquelo con cuidado en el agua y sumérgalo poco a poco con ayuda del gancho de recogida (E) hasta el fondo de la piscina
- El limpiador de piscinas emite una señal acústica mientras no está completamente sumergido
- El robot arranca de forma automática transcurridos unos 5 segundos
- No haga bajar el limpiador de piscinas al lado de las paredes de la piscina porque podría dañar la lámina o la piscina

Configurar el tipo de avance

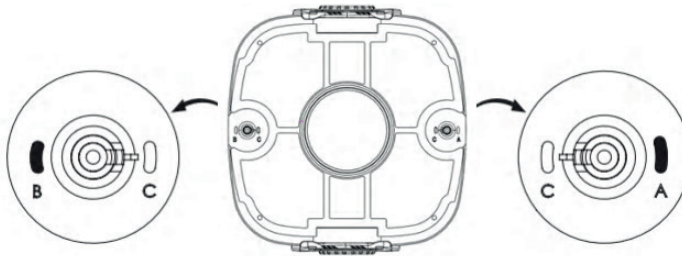
El limpiador de piscinas cuenta con 2 ruedas ajustables (19). Puede modificar el avance del aparato girando las ruedas. Para ello, abra las dos hebillas (22) y retire el chasis (D). Saque las dos ruedas y móntelas de acuerdo con los parámetros siguientes en función del tipo de piscina:





E Robotclean Accu XS: manual de instrucciones y lista de piezas

Combinación	Adecuado para piscina
A - C	Adecuado para la mayoría de piscinas
B - C	Para ángulos más pequeños que A - C
C - C	Para piscinas rectangulares o largas
A - B	Para piscinas circulares



Proceso de limpieza

Indicaciones generales

- El Accu XS RobotClean se ha concebido para la limpieza regular del fondo de las piscinas.
- El robot se debe usar en el agua limpia
- El nivel de pH del agua de la piscina debe estar entre 7,0 y 7,4.
- Cuando se ponga en marcha la piscina una vez transcurrido el invierno, antes de usar el robot se debe efectuar una primera limpieza del fondo con una red de mano o un aspirador.

El limpiador de piscinas funciona según el principio de limpieza caótico, esto es, cambia automáticamente de dirección en cuanto toca la pared de la piscina. La batería tiene una capacidad de limpieza durante 50 minutos. Retire el limpiador de piscinas, cárguelo de acuerdo con las instrucciones de montaje y repita la limpieza si es necesario. Lave el limpiador de piscinas y los filtros después de cada limpieza.



Si no se va a usar

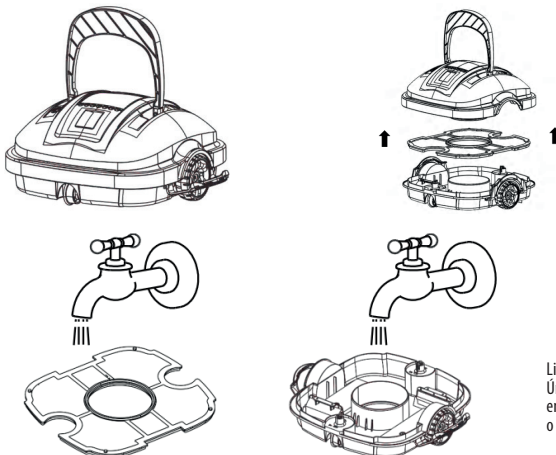
Una vez terminada la limpieza, el limpiador de piscinas debe secarse completamente. Mientras no se utilice el limpiador de piscinas, este debe almacenarse en un lugar oscuro y con buena ventilación. Deben evitarse heladas y la luz solar directa.



Mantenimiento y cuidados

Limpieza del filtro

Abra las dos hebillas (22), retire la cubierta (B) y saque el filtro (12). Limpie el filtro (12) y el interior del chasis (D) bajo un grifo o una manguera de agua



Limpieza de la carcasa
Únicamente utilice agua y un paño suave. Asegúrese de no aplicar demasiada presión en la carcasa o, en caso contrario, podría dañarse por completo. No utilice una esponja o productos de limpieza ásperos.



E Robotclean Accu XS: manual de instrucciones y lista de piezas



Reparaciones

Si la carcasa o la fuente de alimentación están dañados, no es posible repararlo. A continuación, no debe seguir utilizando la pieza afectada y debe eliminar la estación meteorológica o el emisor.



Pedido de repuestos

Al pedir repuestos o durante la resolución de problemas según el punto "Resolución de problemas", necesitamos la siguiente información:

1. Nombre del artículo
2. Número de artículo del aparato
3. Copia de la factura
4. Descripción del error



Datos técnicos

Artículo	7505519
Fuente de alimentación (batería recargable)	
Corriente de entrada	CA 230 V / 50 Hz
Corriente de salida	CC 12,6 V / 1 A
ROBOTCLEAN	
Corriente de entrada	CC 12,6 V, máx. 30 W
Temperatura de almacenamiento	10° C – 40° C
Temperatura de funcionamiento	10° C – 35° C
Profundidad de inmersión máx.	2 m
Capacidad de la batería	2600 mAh
Duración de funcionamiento de la batería	Máx. 50 minutos
Dimensiones	175 x 340 x 350 mm
Características técnicas	
Tipo de limpieza	Fondo
Área de limpieza	máx. 50 m ²
Sistema de seguridad (protección contra sobretensión)	sí
Unidad de filtrado	180 micras
Potencia de succión	7 m ³ /h



Resolución de problemas

¡No repare usted mismo el limpiador de piscinas! Si utiliza piezas inadecuadas para la reparación, puede aumentar el riesgo de producirse un cortocircuito. Algunos problemas pueden deberse a pequeñas averías que puede arreglar usted mismo/a. Para ello, siga las siguientes instrucciones en función del problema en cuestión.

Si esto no soluciona el problema, póngase en contacto con el servicio de atención al cliente y obtenga la información necesaria tal y como se describe en la sección de pedido de repuestos.

Fallo	Causa	Solución
El limpiador de piscinas no emite ninguna señal acústica y el rotor no gira en el agua	Batería demasiado baja	Cargue la batería
	Error interno	Póngase en contacto con el vendedor
El limpiador de piscinas emite una señal acústica, pero no se pone en funcionamiento en el agua	Error interno	Póngase en contacto con el vendedor
El limpiador de piscinas no limpia todo el fondo de la piscina	Configuración incorrecta de las ruedas ajustables	Cambie la configuración de las ruedas, consulte el punto Puesta en marcha
	El filtro está obstruido	Limpie el limpiador de piscinas
	Batería vacía	Cargue la batería y repita el proceso de limpieza

E Robotclean Accu XS: manual de instrucciones y lista de piezas

2 Garantía

Nuestros productos se someten a un estricto control de calidad. Si, a pesar de todo, este dispositivo no funcionase correctamente en algún momento, le pedimos disculpas. Para la reclamación de los derechos derivados de la garantía será de aplicación lo siguiente:

1. Estas condiciones de garantía se dirigen exclusivamente a los consumidores, es decir, a las personas físicas que no tienen intención de utilizar este producto en el curso de su actividad comercial o de otro tipo de actividad por cuenta propia.
2. Nuestra garantía cubre la reparación de los defectos de material y fabricación o la sustitución del aparato.
3. Las reclamaciones de garantía son válidas durante un periodo máximo de 2 años a partir de la fecha de compra. Queda excluida la posibilidad de hacer valer los derechos de garantía después de la expiración del periodo de garantía.
4. Si el artículo está cubierto por las disposiciones de la garantía, se reparará gratuitamente o se sustituirá gratuitamente por un artículo idéntico o, a nuestra discreción, un artículo equiparable.

La reparación o sustitución del producto no supone una ampliación del periodo de garantía, ni este servicio inicia un nuevo periodo de garantía para el producto o para las piezas de recambio instaladas.

Quedan excluidos de nuestra garantía:

- Daños en el aparato causados por la inobservancia de las instrucciones de uso
- la inobservancia de las normas de mantenimiento y seguridad o por la exposición del aparato a condiciones ambientales anormales o por una conservación deficiente.
- Los daños en la unidad causados por un uso incorrecto o inadecuado (como la sobrecarga de la unidad o el uso de herramientas o accesorios de aplicación no autorizados), la penetración de cuerpos extraños en la unidad (como productos químicos, aceites o similares), el uso de la fuerza o las influencias externas (como los daños causados por una caída).
- Los daños en el aparato o en sus piezas que sean consecuencia del desgaste normal provocado por el uso, habitual o natural.



La Declaración de Conformidad de la UE puede solicitarse a través de la siguiente dirección: www.outsideliving.com

Eliminación del embalaje



Elimine el embalaje según su naturaleza. Deseche la cartulina y el cartón en el contenedor de residuos de papel, y las láminas y las bolsas en los puntos de recogida de materiales reciclables.

Recogida y eliminación por separado de dispositivos antiguos



Los equipos eléctricos y electrónicos que se han convertido en residuos se denominan residuos de aparatos. Los propietarios de residuos de aparatos deben eliminarlos de forma separada de los residuos municipales no clasificados. En concreto, los residuos de aparatos no pertenecen a la basura doméstica, sino a sistemas especiales de recogida y devolución. Opciones para la devolución de residuos de aparatos: los propietarios de los residuos de aparatos procedentes de hogares privados pueden devolverlos a los puntos de recogida de las autoridades públicas de gestión de residuos o a los puntos de recogida establecidos por los fabricantes o distribuidores de acuerdo con el Reglamento sobre residuos de equipos eléctricos y electrónicos («ElektroG»), por ejemplo, un punto de recogida de su municipio o distrito para su debido reciclado, o directamente al fabricante. La eliminación es gratuita para usted.

Tipo de batería	Sistema químico
Acumulador	Iones de litio



BATTERIE
RÜCKNAHME

Eliminación de baterías y acumuladores:

Las baterías y los acumuladores no deben eliminarse con los residuos domésticos. Los consumidores están obligados por ley a deshacerse de las baterías y los acumuladores por separado.

Las baterías y los acumuladores pueden dejarse gratuitamente en un punto de recogida municipal o en las tiendas para eliminarse de forma respetuosa con el medioambiente y recuperar las valiosas materias primas. Una eliminación inadecuada puede provocar la liberación de sustancias tóxicas en el medioambiente, lo que puede tener efectos nocivos en los seres humanos, los animales y las plantas.

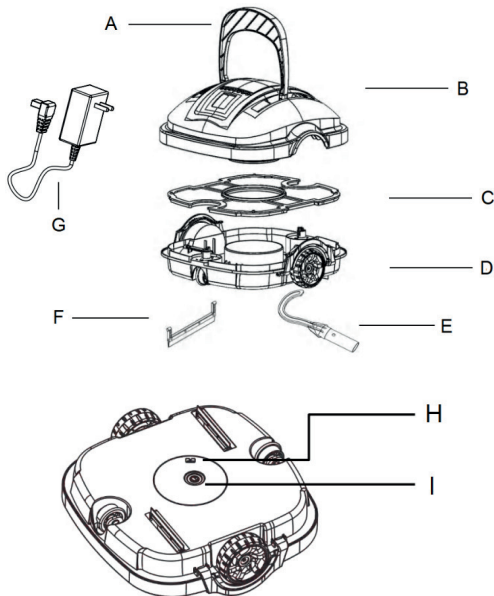
Las baterías y los acumuladores incluidos en aparatos eléctricos deben eliminarse de forma independiente. Únicamente elimine las baterías y los acumuladores si están descargados. En el caso de baterías y acumuladores con litio, tape los terminales antes de desecharlos para evitar un cortocircuito externo. Un cortocircuito puede provocar un incendio o una explosión.



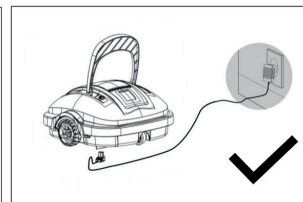
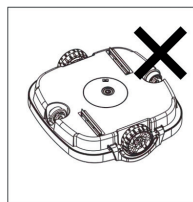
I Istruzioni per l'uso ed elenco componenti del Robotclean Accu XS



Componenti del dispositivo / contenuto della fornitura



No.	Denominazione
A	Impugnatura
B	Copertura
C	Filtro
D	Telaio
E	Gancio di ritenuta
F	Spatola
G	Adattatore di rete
H	Presca di ricarica
I	Interruttore ON/OFF



Spiegazione

1	Impugnatura	13	Blocco di peso
2	Copertura superiore	14	Ruota grande
3	Copertura di protezione dall'acqua	15	Copertura interna della ruota
4	Copertura	16	Copertura esterna della ruota
5	Copertura di conduzione dell'acqua	17	Perno
6	Conduzione dell'acqua	18	Supporto della ruota
7	Copertura centrale	19	Ruota piccola
8	Molla	20	Albero della ruota
9	Blocco motore	21	Telaio
10	Supporto della piastra oscillante	22	Fibbie di chiusura
11	Scudo idraulico	23	Copertura di ingresso dell'acqua
12	Filtro		





① Istruzioni per l'uso ed elenco componenti del Robotclean Accu XS



Informazioni generali

Gentile cliente,

le presenti istruzioni per l'uso contengono informazioni importanti relativamente alla messa in servizio e all'utilizzo del prodotto. Prima di utilizzare il depuratore, leggere attentamente le istruzioni per l'uso. Ciò vale in particolare per le avvertenze di sicurezza. Altrimenti si possono subire lesioni o danneggiare il depuratore. Conservare le istruzioni d'uso per future consultazioni. Se si consegna il depuratore a terzi, consegnare anche le presenti istruzioni per l'uso. Queste istruzioni per l'uso si possono anche scaricare come file PDF dal nostro sito Internet www.outsideliving.com.



Istruzioni di sicurezza

Il dispositivo non può essere utilizzato da bambini di età inferiore a 8 anni e da persone con capacità fisiche, sensoriali o mentali limitate o senza la necessaria esperienza e conoscenza, a meno che non siano sorvegliate o non siano state istruite sull'uso in sicurezza e informate sui pericoli connessi. La pulizia e la manutenzione non possono essere eseguite da bambini senza l'opportuna sorveglianza.

Il depuratore è concepito esclusivamente per uso privato e non è adatto a impieghi industriali. Utilizzare il depuratore soltanto come descritto nelle presenti istruzioni per l'uso. Qualsiasi impiego diverso da quello previsto è da considerarsi inappropriato e può provocare danni a persone o cose. Il depuratore non è un giocattolo per bambini. Il produttore e il rivenditore non si assumono nessuna responsabilità per eventuali danni provocati dall'uso non appropriato o errato.

- Assicurarsi che il depuratore si trovi per il montaggio su un fondo piano e stabile.
- Utilizzare l'alimentatore solo su una presa installata in modo conforme, con una tensione di rete alternata a 230 V in interni.
- L'alimentazione di tensione dell'alimentatore deve essere ad almeno 3,5 metri di distanza dalla piscina. L'alimentazione di tensione deve essere alimentata con una corrente nominale di guasto non superiore a 30 mA mediante un interruttore differenziale (salvavita).
- L'alimentatore non deve entrare in contatto con acqua o umidità.
- Rimuovere immediatamente l'alimentatore dalla presa se si verifica un'anomalia o se non si utilizza l'apparecchio per un periodo prolungato.
- Utilizzare esclusivamente l'alimentatore fornito in dotazione
- Non tirare l'alimentatore dal cavo per rimuovere la spina dalla presa.
- Posare il cavo dell'alimentatore in modo che non possa entrare in contatto con oggetti dai bordi taglienti o caldi.
- Conservare il depuratore e l'alimentatore fuori dalla portata dei bambini.
- Non posizionare il depuratore o l'adattatore nelle vicinanze di temperature estreme e proteggere il trasformatore dall'umidità.
- Il cavo elettrico dell'adattatore non può essere sostituito. Se il cavo è danneggiato, non è più possibile utilizzare il dispositivo in questione, che deve essere smaltito in modo regolare.
- Non accendere alla piscina quando il depuratore è in funzione.
- Prima di utilizzare il depuratore, rimuovere dalla piscina qualsiasi oggetto che potrebbe comprometterne la potenza.
- Non accendere il depuratore fino a quando non è in acqua.
- Dopo ogni utilizzo rimuovere il depuratore dalla piscina. Se si lascia il depuratore sempre nella piscina, potrebbero essere necessari interventi di assistenza supplementari.



Controllo del depuratore e della fornitura

Pericolo di danni,

Se si apre la confezione incautamente con un coltello affilato o con un altro oggetto appuntito, il depuratore o gli accessori possono subire dei danni. Estrarre il depuratore dalla confezione. Controllare se il depuratore o gli accessori presentano dei danni. In caso contrario, rivolgersi immediatamente al rivenditore.



Montaggio

Dopo avere estratto il depuratore dall'imballaggio è possibile metterlo in funzione. A questo scopo, procedere come segue:

- Installare la spatola (F) per amplificare l'azione aspirante quando il fondo della piscina è molto sporco. Si consiglia di non montare la spatola (F) qualora il fondo della piscina dovesse essere irregolare o presentare molti fori. In questo caso il depuratore si può incastrare e danneggiare la pellicola.
- Montare l'impugnatura (A) sul depuratore con entrambe le viti incluse
- Collegare l'adattatore (G) a una presa adatta (vedere istruzioni di sicurezza), inserire la spina nella presa di carica (H) sotto al depuratore e ricaricare completamente il depuratore (4 ore)
- Notare bene che, per proteggere le piastre oscillanti del depuratore, il depuratore non deve essere posizionato sulla testa
- Durante il processo di carica la spia di segnalazione sul caricatore deve essere accesa di luce rossa
- Dopo la ricarica completa del depuratore, la spia di segnalazione sul caricatore si accende di luce verde
- Dopo che la spina è stata rimossa dalla presa di carica (H), assicurarsi che sia montato il tappo in gomma sulla presa stessa (H)
- Ricaricare il depuratore prima di ogni utilizzo
- Montare il gancio di ritenuta (E) su un'asta adeguata (non inclusa nel contenuto della fornitura)



Messa in servizio

- Utilizzare il detergente solo con temperature tra 10 °C e 35 °C
- Afferrare il depuratore dalla maniglia (A), immergerlo nell'acqua ed eseguire movimenti di rotazione, in modo che possa uscire l'aria dal depuratore. S
- Accedere il depuratore dall'interruttore ON/OFF (I) sotto al depuratore, lasciarlo con attenzione nell'acqua e fare in modo che si immerga con cautela fino al fondo con l'aiuto del gancio di ritenuta (E)
- Il depuratore emette un segnale acustico fino a quando il depuratore non è completamente immerso in acqua
- Il robot da piscina si avvia automaticamente dopo circa 5 secondi
- Assicurarsi che il depuratore non scorra lungo la parete, in quanto questo può portare a danni della pellicola/della piscina

Regolazione delle caratteristiche di funzionamento

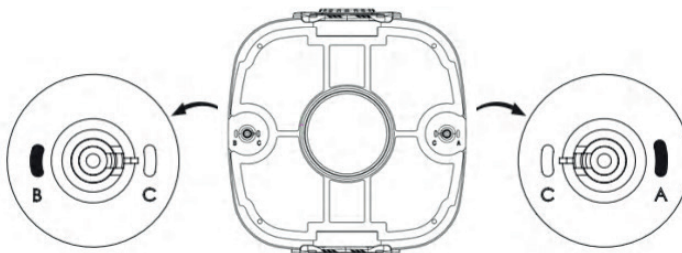
Il depuratore dispone di 2 ruote regolabili (19). Ruotando le ruote si modifica il comportamento di funzionamento del depuratore. Per la regolazione si aprono le due fibbie di chiusura (22) e si estrae il telaio (D). Estrarre le due ruote e montarle secondo le seguenti linee guida per le seguenti piscine:





① Istruzioni per l'uso ed elenco componenti del Robotclean Accu XS

Combinazione	Si adatta a piscina
A - C	Per la maggior parte delle piscine
B - C	Per angoli inferiori ad A - C
C - C	Per piscine rettangolari o lunghe
A - B	Per piscine rotonde



Processo di pulizia

Indicazioni generali

- La Accu XS RobotClean è concepita per la pulizia regolare del fondo della vasca.
- Il robot deve essere utilizzato in acqua pulita
- Il valore di pH dell'acqua della piscina deve essere compreso tra 7,0 e 7,4.
- All'atto della messa in servizio della piscina dopo lo svernamento, prima dell'uso del robot occorre eseguire una prima pulizia del fondo con un retino o un aspirapolvere.

Il depuratore funziona sulla base del principio di pulizia caotico, ovvero cambia direzione automaticamente non appena tocca il fondo della vasca. Dopo circa 50 minuti di pulizia la batteria si scarica. Prelevare a quel punto il depuratore, ricaricarlo come da indicazioni di montaggio ed eseguire nuovamente il processo di pulizia all'occorrenza. Dopo ogni pulizia si dovrebbe pulire depuratore e filtro.

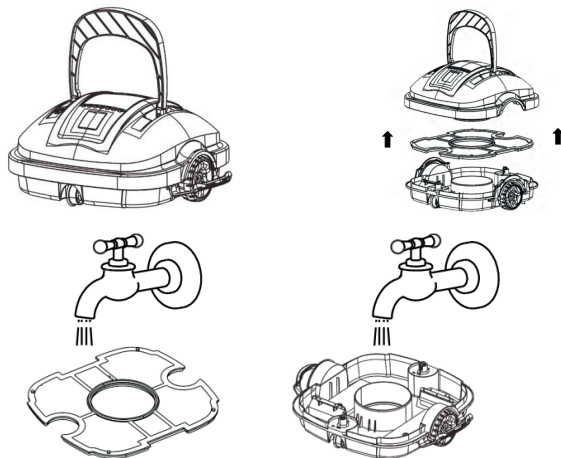
In caso di inutilizzo

Al termine della pulizia si deve asciugare adeguatamente il depuratore. Finché il depuratore non viene utilizzato è opportuno conservarlo in un luogo ben ventilato e ombreggiato. Evitare il gelo e i raggi solari diretti.

Cura e manutenzione

Pulizia dei filtri

Aprire le due fibbie di chiusura (22), rimuovere la copertura (B) ed estrarre il filtro (12). Pulire il filtro (12) e l'interno del telaio (D) sotto un rubinetto dell'acqua o con un flessibile



Pulizia dell'alloggiamento
Utilizzare solo acqua e un panno morbido. Assicurarsi di non esercitare una pressione eccessiva sull'alloggiamento per non rischiare di danneggiarlo. Non utilizzare una spugna ruvida o detergente.





① Istruzioni per l'uso ed elenco componenti del Robotclean Accu XS



Riparazioni

Se l'alloggiamento o l'alimentatore sono danneggiati, non è possibile ripararli. In tal caso non si deve più usare il componente in questione e la stazione meteo o il trasmettitore devono essere smaltiti.



Ordine dei ricambi

Per l'ordine dei ricambi o quando si deve eliminare un problema, come al punto Problemi e soluzioni, abbiamo bisogno delle seguenti informazioni:

1. Nome articolo
2. Codice articolo dell'apparecchio
3. Copia della fattura
4. Descrizione dell'errore



Dati tecnici

Articolo	7505519
Alimentatore (batteria ricaricabile)	
Tensione in ingresso	AC 230 V / 50 Hz
Tensione in uscita	DC 12,6 V / 1 A
ROBOTCLEAN	
Tensione in ingresso	DC 12,6 V, max. 30 W
Temperatura di stoccaggio	10° C – 40° C
Temperatura di esercizio	10° C – 35° C
Profondità di immersione massima	2 m
Capacità della batteria	2600 mAh
Tempo di funzionamento della batteria	Max. 50 min.
Dimensioni	175 x 340 x 350 mm
Caratteristiche tecniche	
Tipo di pulizia	Fondo
Superficie da pulire	max. 50 m ²
Sistema di sicurezza (protezione da sovratensione)	sì
Unità filtrante	180 micron
Potenza di aspirazione	7 m ³ /h



Problemi e soluzioni

Non riparare autonomamente il depuratore! Se per la riparazione si utilizzano componenti inadatti, il pericolo di cortocircuito elettrico può aumentare notevolmente. Alcuni problemi possono essere provocati da anomalie di lieve entità e quindi possono essere risolti dall'utente stesso. Osservare le seguenti istruzioni a seconda del problema verificatosi.

Se il problema non si risolve, rivolgersi al centro di assistenza clienti e tenere a portata di mano le informazioni richieste, riportate al punto Ordine dei ricambi.

Anomalia	Causa	Soluzione
Il depuratore non emette alcun segnale acustico e il rotore non ruota in acqua	Batteria quasi scarica	Ricaricare la batteria
	Errore interno	Contattare il proprio rivenditore
Il depuratore non emette alcun segnale acustico, ma si avvia nell'acqua	Errore interno	Contattare il proprio rivenditore
Il depuratore non pulisce l'intero fondo della piscina	Regolazione errata delle ruote regolabili	Modificare la regolazione delle ruote come da punto Messa in servizio
	Filtro ostruito	Pulire il depuratore
	Batteria scarica	Caricare la batteria e ripetere il processo di pulizia





1 Istruzioni per l'uso ed elenco componenti del Robotclean Accu XS

2 Garanzia

I nostri prodotti vengono sottoposti a severi controlli di qualità. Se questo apparecchio non dovesse funzionare perfettamente, ne saremmo molto spiacenti. Per la rivendicazione dei diritti di garanzia valgono le seguenti condizioni:

1. Le presenti condizioni di garanzia sono rivolte esclusivamente ai consumatori, cioè alle persone fisiche che non intendono utilizzare questo prodotto nell'ambito della loro attività commerciale o altra attività autonoma.
2. La nostra garanzia si estende all'eliminazione dei vizi materiali e di fabbricazione e alla sostituzione dell'apparecchio.
3. Le richieste di garanzia valgono al massimo 2 anni a partire dalla data di acquisto. È esclusa qualsiasi rivendicazione dei diritti di garanzia successivamente alla scadenza del periodo di garanzia.
4. Se l'articolo è coperto dalla garanzia, verrà riparato gratuitamente o sostituito, sempre gratuitamente, con un articolo identico o con uno equivalente di nostra scelta.

La riparazione o la sostituzione dell'apparecchio non prolunga il periodo di validità della garanzia, né questo servizio avvia un nuovo periodo di garanzia per l'apparecchio o per eventuali ricambi installati.

Dalla nostra garanzia sono esclusi:

- Danni al dispositivo dovuti al mancato rispetto delle istruzioni per l'uso
- La mancata osservanza delle indicazioni di manutenzione e sicurezza o dall'esposizione dell'apparecchio a condizioni ambientali anomale o da una pulizia insufficiente.
- Danni al dispositivo provocati da abuso o utilizzo inappropriato (come ad es. sovraccarico dell'apparecchio o utilizzo di utensili o accessori non ammessi), penetrazione di corpi estranei nell'apparecchio (come ad es. sostanze chimiche, oli e simili), uso della violenza o influssi esterni (come ad es. danni dovuti a una caduta).
- Danni all'apparecchio o a parti dell'apparecchio che sono dovuti a un'usura normale, abituale o naturale.



La dichiarazione di conformità UE può essere richiesta al seguente indirizzo:
www.outsideliving.com

Smaltimento degli imballaggi



Smaltire l'imballo a seconda del tipo di materiale. Prevedere per carta e cartone il riciclo della carta, per pellicole e sacchetti la raccolta differenziata.



Raccolta differenziata e smaltimento degli apparecchi usati

Gli apparecchi elettrici ed elettronici che sono diventati rifiuti vengono definiti come apparecchi usati. I proprietari devono conferire tali apparecchi sottoponendoli a un sistema di raccolta separato dai rifiuti comunali non assortiti. Gli apparecchi usati, in particolare, non vanno smaltiti insieme ai rifiuti domestici, bensì con sistemi speciali di raccolta e restituzione. Opzioni di restituzione dei dispositivi usati: i proprietari degli apparecchi usati provenienti dalle abitazioni private possono consegnare tali apparecchi presso i centri di raccolta delle autorità pubbliche incaricate dello smaltimento o i centri di raccolta predisposti dai produttori o dai fornitori ai sensi della legge ElektroG, ad. un centro di raccolta del proprio comune/quartiere, oppure direttamente al produttore. Lo smaltimento non comporta alcun costo.

Tipo di batteria	Sistema chimico
Accumulatore	Ioni di litio (Li-ion)



BATTERIE RÜCKNAHME

Smaltimento di batterie e accumulatori:

Non smaltire le batterie e gli accumulatori insieme ai rifiuti domestici. I consumatori sono obbligati per legge a smaltire le batterie e gli accumulatori nella raccolta differenziata.

Le batterie e gli accumulatori possono essere consegnati gratuitamente presso un centro di raccolta del proprio comune/quartiere o un rivenditore, affinché possano essere smaltiti nel rispetto dell'ambiente o riciclati per recuperare materie prime preziose. Se lo smaltimento non viene effettuato in maniera appropriata, sostanze tossiche possono contaminare l'ambiente e avere effetti dannosi per la salute dell'uomo, degli animali e delle piante. Le batterie e gli accumulatori contenuti negli apparecchi elettrici devono essere smaltiti, se possibile, separatamente dagli apparecchi. Consegnare le batterie e gli accumulatori soltanto quando sono scarichi.

Prima dello smaltimento, staccare i poli dalle batterie e dagli accumulatori al litio onde evitare un cortocircuito esterno. Il cortocircuito può provocare un incendio o un'esplosione.



Conformity Declaration



GB Declaration of Conformity

The undersigned company, UBBINK GARDEN BV, declares on its own responsibility that this product complies with the requirements of the European Directives 2014/30/EU, 2014/35/EU. The complete Declaration of Conformity can be requested at the following address: www.outsideliving.com.

D Konformitätserklärung

Die unterzeichnete Firma UBBINK GARDEN BV erklärt in eigener Verantwortung, dass dieses Produkt die Anforderungen der Europäischen Richtlinie 2014/30/EU, 2014/35/EU erfüllt. Die vollständige Konformitätserklärung kann bei der folgenden Adresse angefordert werden: www.outsideliving.com.

NL Conformiteitsverklaring

Ondergetekende, de firma UBBINK GARDEN BV, verklaart op eigen verantwoordelijkheid dat het product voldoet aan de eisen van de EU-richtlijnen 2014/30/EG, 2014/35/EU. De volledige tekst van de conformiteitsverklaring kan worden opgevraagd bij het volgende adres: www.outsideliving.com.

F Déclaration de conformité

La société soussignée UBBINK GARDEN BV certifie sous sa propre responsabilité que ce produit est conforme aux exigences des directives européennes 2014/30/UE, 2014/35/UE. La déclaration de conformité complète peut être demandée à l'adresse suivante: www.outsideliving.com.

E Declaración de conformidad

La empresa que suscribe, UBBINK GARDEN BV, declara bajo su responsabilidad que este producto cumple los requisitos de las directivas europeas 2014/30/UE, 2014/35/UE. La declaración de conformidad completa puede obtenerse en la siguiente dirección: www.outsideliving.com.

P Declaração de Conformidade

A empresa abaixo assinada UBBINK GARDEN BV declara, sob a sua própria responsabilidade, que este produto cumpre os requisitos da Diretriz Europeia 2014/30/UE, 2014/35/UE. A declaração de conformidade completa pode ser solicitada no seguinte endereço: www.outsideliving.com.

I Dichiarazione di conformità

La ditta sottoscritta UBBINK GARDEN BV dichiara sotto la propria responsabilità che il prodotto in questione è conforme ai requisiti delle direttive europee 2014/30/UE, 2014/35/UE. La dichiarazione di conformità completa può essere richiesta al seguente indirizzo: www.outsideliving.com.

GR Δήλωση Συμμόρφωσης

Η υπογεγραμμένη εταιρεία UBBINK GARDEN BV δηλώνει με δική της ευθύνη ότι το προϊόν αυτό πληροί τις απαιτήσεις της ευρωπαϊκής Οδηγίας 2014/30/ΕΕ, 2014/35/ΕΕ. Μπορείτε α ζητήσετε το πλήρες κείμενο της Δήλωσης Συμμόρφωσης στην ακόλουθη ηλεκτρονική διεύθυνση: www.outsideliving.com.

DK Overensstemmelseerklæring

Undertegnede firma UBBINK GARDEN BV erklærer på eget ansvar, at dette produkt opfylder kravene i det europæiske direktiv 2014/30/EU, 2014/35/EU. Den fuldstændige overensstemmelseerklæring kan rekvireres på følgende adresse: www.outsideliving.com.

S Försäkran om överensstämmelse

Undertecknat företag UBBINK GARDEN BV förklarar på eget ansvar att denna produkt uppfyller kraven i europeiska direktiv 2014/30/EU, 2014/35/EU. Den fullständiga försäkran om överensstämmelse kan beställas här: www.outsideliving.com.

N Samsvarserklæring

Undertegnet firma UBBINK GARDEN BV erklærer i eget ansvar at dette produktet oppfyller kravene til det europeiske direktivet 2014/30/EU, 2014/35/EU. Den komplette samsvarserklæringen kan etterspores hos følgende adresse: www.outsideliving.com.

FIN Vaatimustenmukaisuusvakuutus

Allekirjoittanut yritys UBBINK GARDEN BV vakuuttaa omalla vastuullaan, että tämä tuote täyttää EU-direktiivin 2014/30/EU, 2014/35/EU vaatimukset. Täydellinen vaatimustenmukaisuusvakuutus on saatavissa seuraavasta osoitteesta www.outsideliving.com.

PL Deklaracja zgodności

Niżej podpisana firma UBBINK GARDEN BV oświadcza na własną odpowiedzialność, że niniejszy produkt spełnia wymagania dyrektyw europejskich 2014/30/UE, 2014/35/UE. Pełny tekst deklaracji zgodności można znaleźć pod następującym adresem: www.outsideliving.com.

RUS Декларация соответствия

Нижесigned подписавшаяся компания UBBINK GARDEN BV заявляет под свою ответственность, что данный продукт соответствует требованиям Европейских директив 2014/30/ЕU, 2014/35/ЕU. Полный текст декларации соответствия можно запросить по адресу: www.outsideliving.com.

HR Izjava u skladnosti

Potpisana tvrtka UBBINK GARDEN BV izjavljuje u vlastitoj odgovornosti, da ovaj proizvod ispunjava zahtjeve Europske smjernice 2014/30/EU, 2014/35/EU. Cijelu Izjavu o skladnosti možete zatražiti na sljedećoj adresi: www.outsideliving.com.

CZ Prohlášení o shodě

Podepsaná společnost UBBINK GARDEN BV prohlašuje na vlastní zodpovědnost, že tento výrobek splňuje požadavky evropské směrnice 2014/30/EU, 2014/35/EU. Úplné znění prohlášení o shodě si můžete vyžádat na následující adrese: www.outsideliving.com.

SK Vyhlasenie o zhode

Podpísaná spoločnosť UBBINK GARDEN BV vyhlasuje na vlastnú zodpovednosť, že tento výrobok spĺňa požiadavky európskej smernice 2014/30/EU, 2014/35/EU. O úplné znenie vyhlásenia o zhode môžete požiadať na nasledujúcej adrese: www.outsideliving.com.

SLD Izjava o skladnosti

Podpisano podjetje UBBINK GARDEN BV na lastno odgovornost izjavlja, da je ta izdelek v skladu z zahtevami evropskih Direktiv 2014/30/EU, 2014/35/EU. Celotno izjavo o skladnosti lahko zahtevate na naslednjem naslovu: www.outsideliving.com.

H Megfelelőségi nyilatkozat

Az alulírott UBBINK GARDEN BV vállalat saját felelősségére kijelenti, hogy ez a termék megfelel a 2014/30/EU, a 2014/35/EU európai irányelvek követelményeinek. A teljes megfelelési nyilatkozat a következő címen igényelhető: www.outsideliving.com.

EST Vastavusdeklaratsioon

Allkirjutanud ettevõtte UBBINK GARDEN BV kinnitab oma ainuvastutusele, et see toode vastab Euroopa direktiivide 2014/30/EL, 2014/35/EL nõuetele. Täieliku vastavusdeklaratsiooni leiate järgmiselt aadressilt: www.outsideliving.com.

LV Atbilstības deklarācija

Aparāšā parakstījis uzņēmums UBBINK GARDEN BV ar pilnu atbildību deklarē, ka šis izstrādājums atbilst Eiropas Direktīvas 2014/30/ES, 2014/35/ES prasībām. Pilnu atbilstības deklarācijas tekstu var pieprasīt vietnē ar šādu adresi: www.outsideliving.com.

LT Atitikties deklaracija

Žemiau pasirašiusi įmonė UBBINK GARDEN BV prisiima atsakomybę ir pareiškia, kad šis gaminytis atitinka Europos direktyvų 2014/30/ES, 2014/35/ES reikalavimus. Visą atitikties deklaraciją rasite adresu: www.outsideliving.com.

BG Декларация за съответствие

Долуподписаната фирма UBBINK GARDEN BV декларира на собствена отговорност, че продуктът отговаря на изискванията на европейските директиви 2014/30/EC, 2014/35/EC. Пълната декларация за съответствие може да се изиска на следния адрес: www.outsideliving.com.

RO Declarație de conformitate

Firma semnatară UBBINK GARDEN BV declară pe propria răspundere că acest produs îndeplinește cerințele Directivei Europene 2014/30/UE, 2014/35/UE. Declarația de conformitate completă poate fi solicitată la adresa următoare: www.outsideliving.com.

TR Uygunluk beyanı

Aşağıda imzası bulunan UBBINK GARDEN BV şirketi, tek sorumlu taraf olarak bu ürünü Avrupa Direktifi 2014/30/EU, 2014/35/EU gereksinimlerini karşıladığını beyan eder. Uygunluk beyanının tamamı aşağıdaki adresten talep edilebilir: www.outsideliving.com.

F

Outside Living Industries France

17, rue de la Baignerie
59000 Lille

☎ 0033 - (0) 320.17.93.93
FAX 0033 - (0) 320.17.93.94

D A

Outside Living Industries Deutschland GmbH

Liebauweg 32,
D-46395 Bocholt

☎ 0049 (0)2871-29351-0
FAX 0049 (0)2871-29351-29

NL

Outside Living Industries Nederland B.V.

Berenkoog 87
1822 BN Alkmaar

☎ 0031 - (0) 72 5671 604
FAX 0031 - (0) 72 5671 673

B

Outside Living Industries Belux BVNR

Wondelgemkaai 10
9000 Gent

☎ 0032 - (0)9254 45 45
FAX 0032 - (0)9254 45 40