















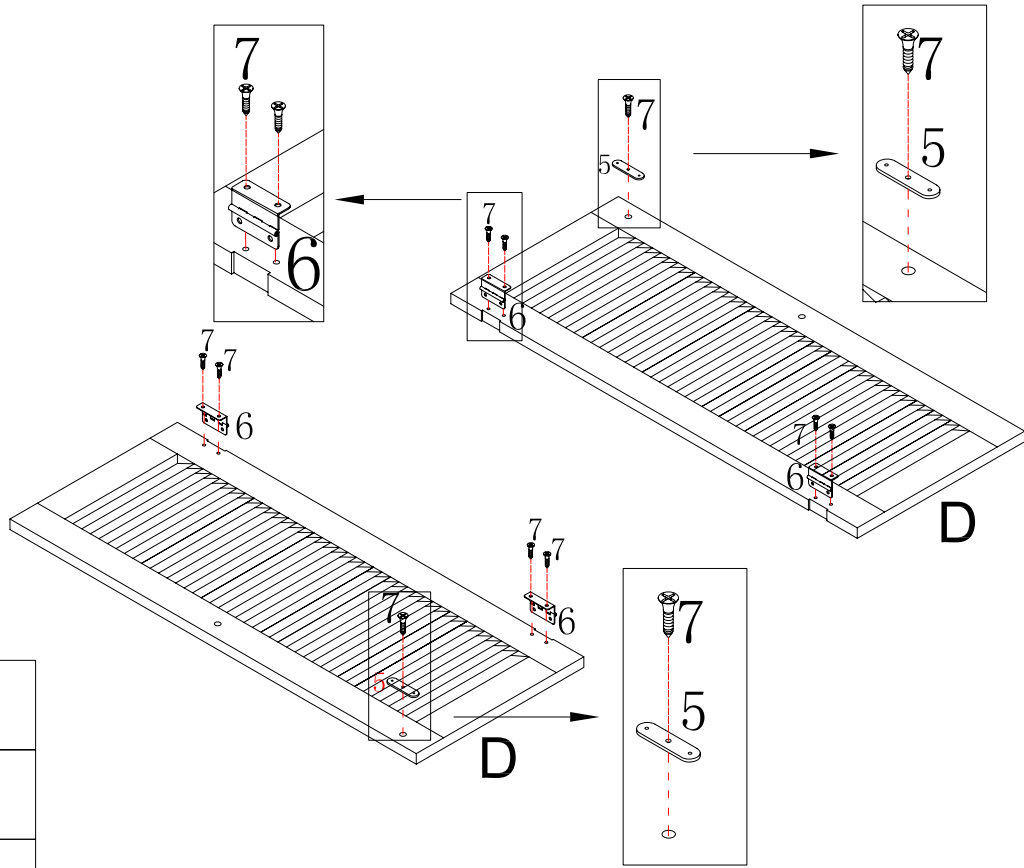
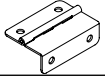


1	 $\phi 6 \times 30 \text{mm}$	24pcs
2		16pcs
3	 $\phi 15 \times 12 \text{mm}$	8pcs
4	 $\phi 15 \times 9.5 \text{mm}$	8pcs
5		2pcs
6		4pcs
7	 $\phi 3 \times 12 \text{mm}$	18pcs
8	 $\phi 4 \times 30 \text{mm}$	4pcs
9	 $\phi 2.2 \times 10 \text{mm}$	30pcs
10	 $\phi 4 \times 18 \text{mm}$	2pcs
11		2pcs
12		2pcs
13		8pcs
14	 $\phi 2.5 \times 12 \text{mm}$	4pcs
15	 $\phi 3.5 \times 40 \text{mm}$	1pc
16		1pc

1



5x2pcs

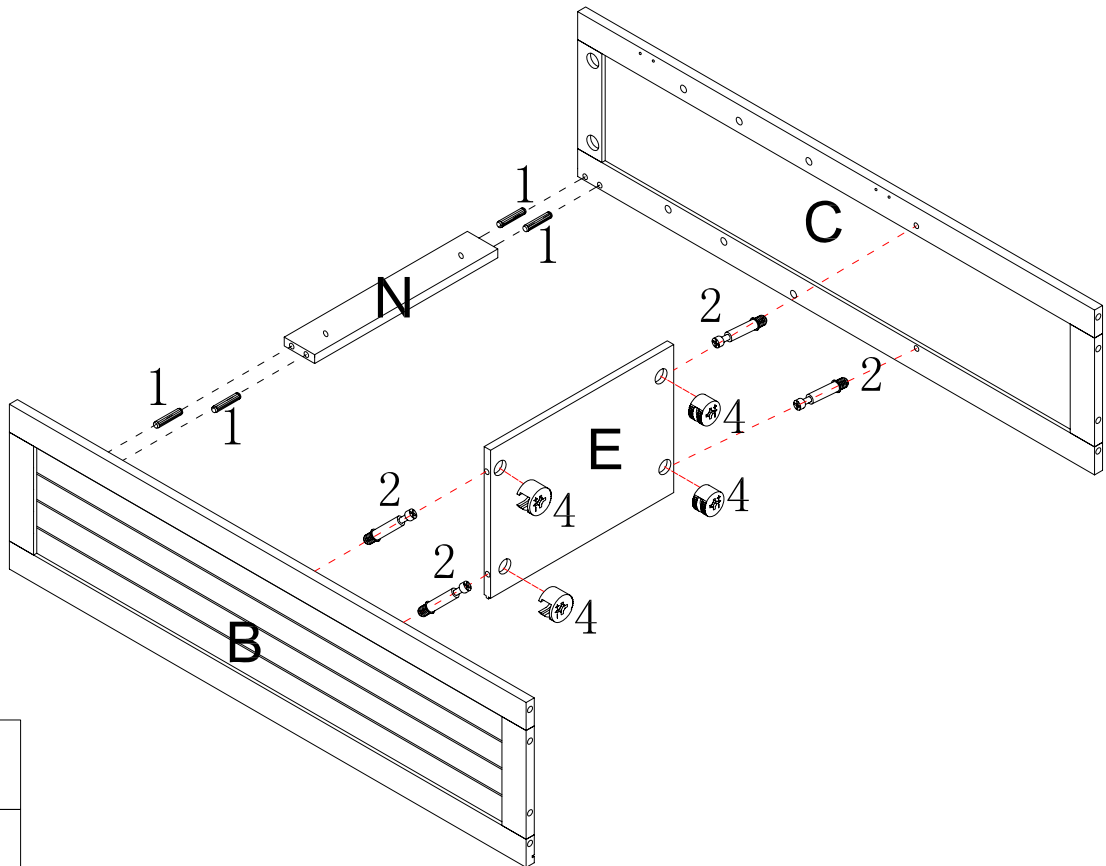


6x4pcs



7x10pcs

2



1x4pcs



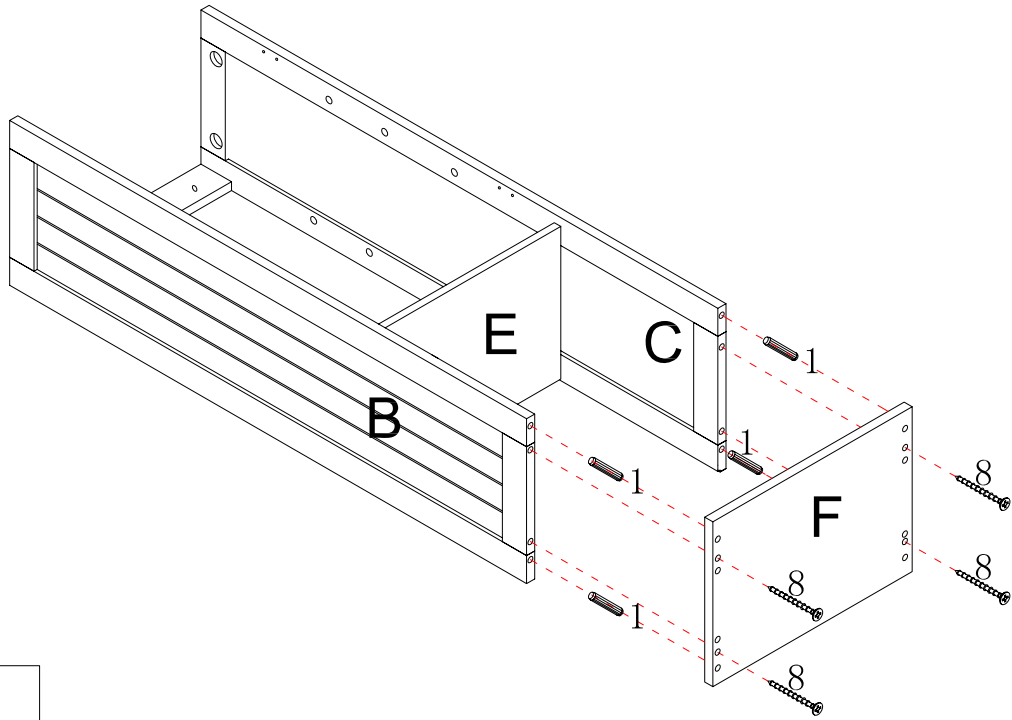
2x4pcs





4x4pcs

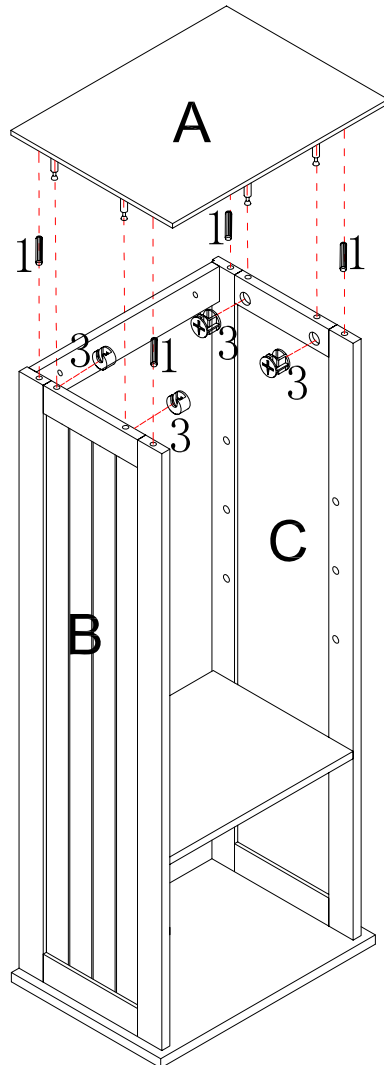
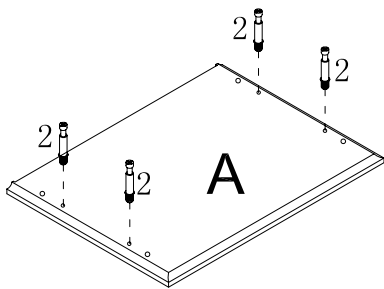
3 - 8




3



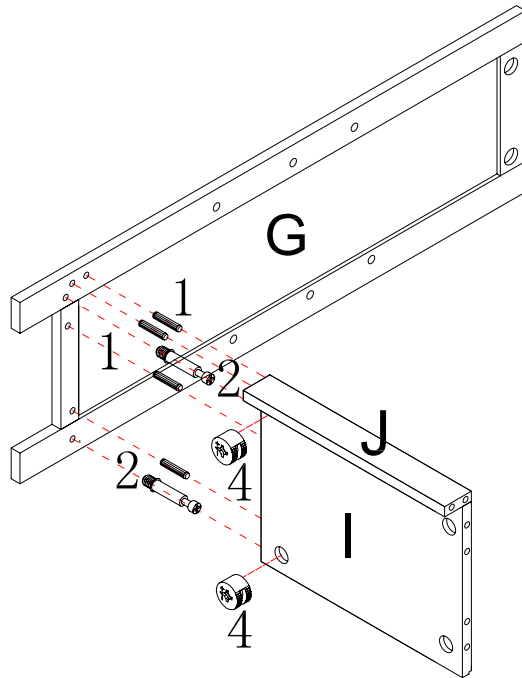
	1x4pcs
	8x4pcs


4





	1x4pcs
	2x4pcs
	3x4pcs

5

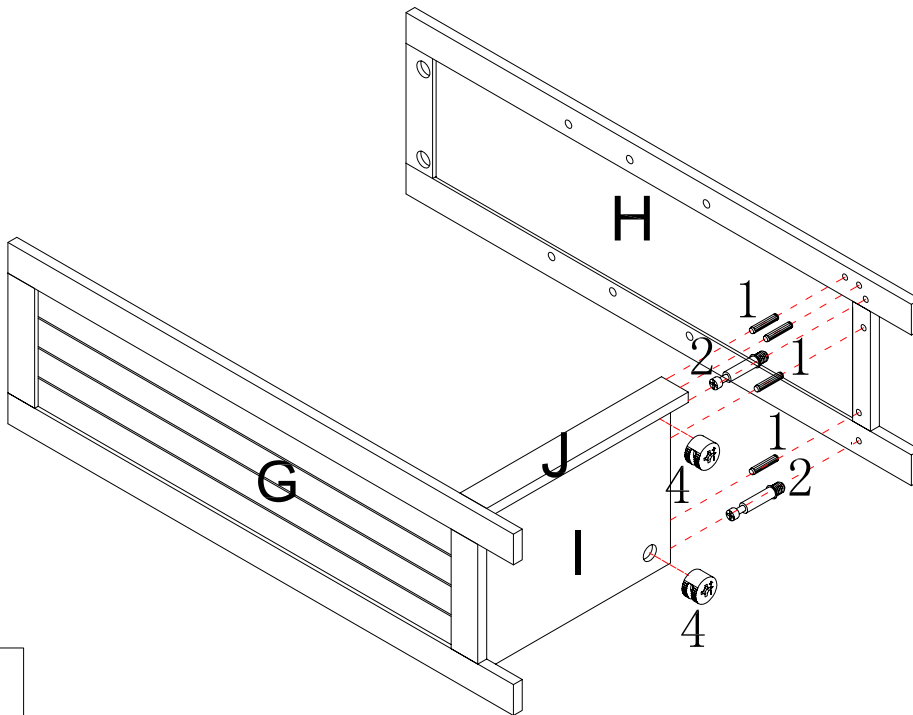



 1x4pcs


 2x2pcs


 4x2pcs

6

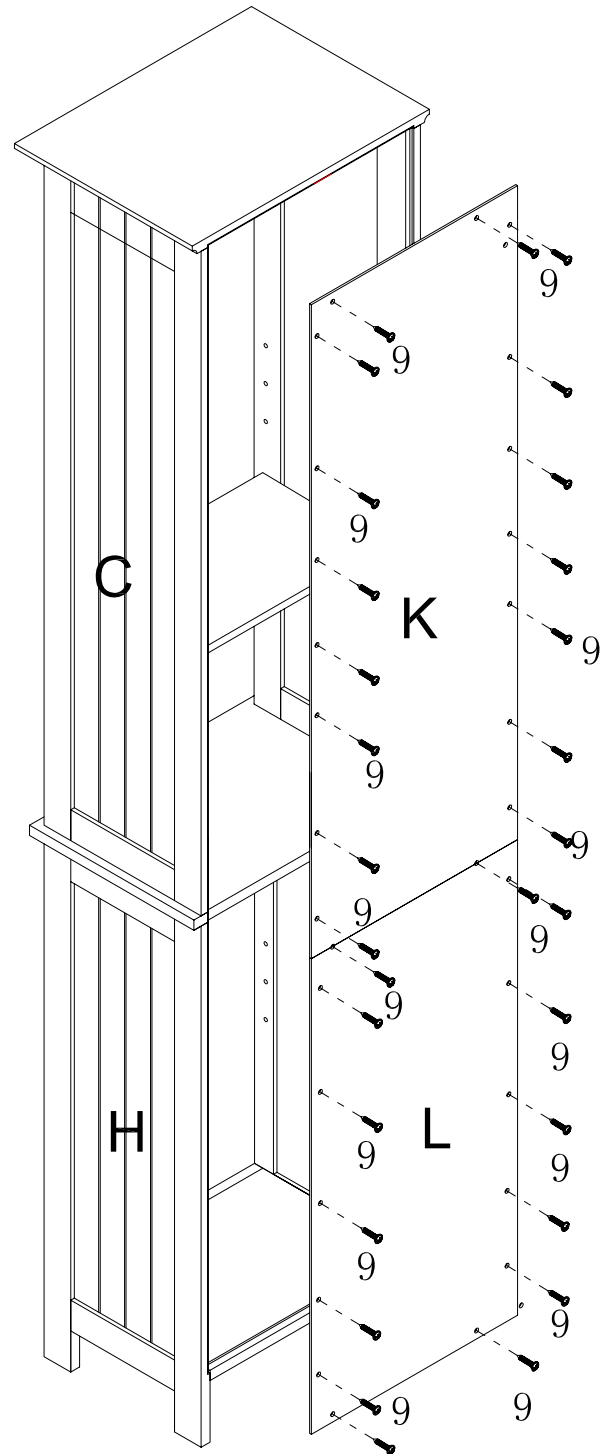
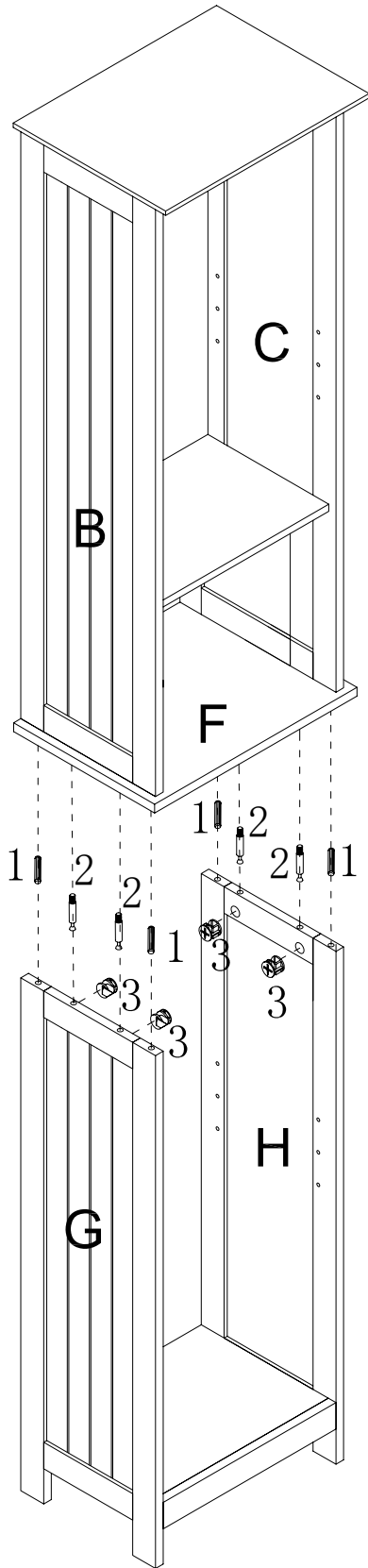
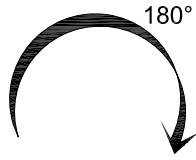






 1x4pcs

 2x2pcs

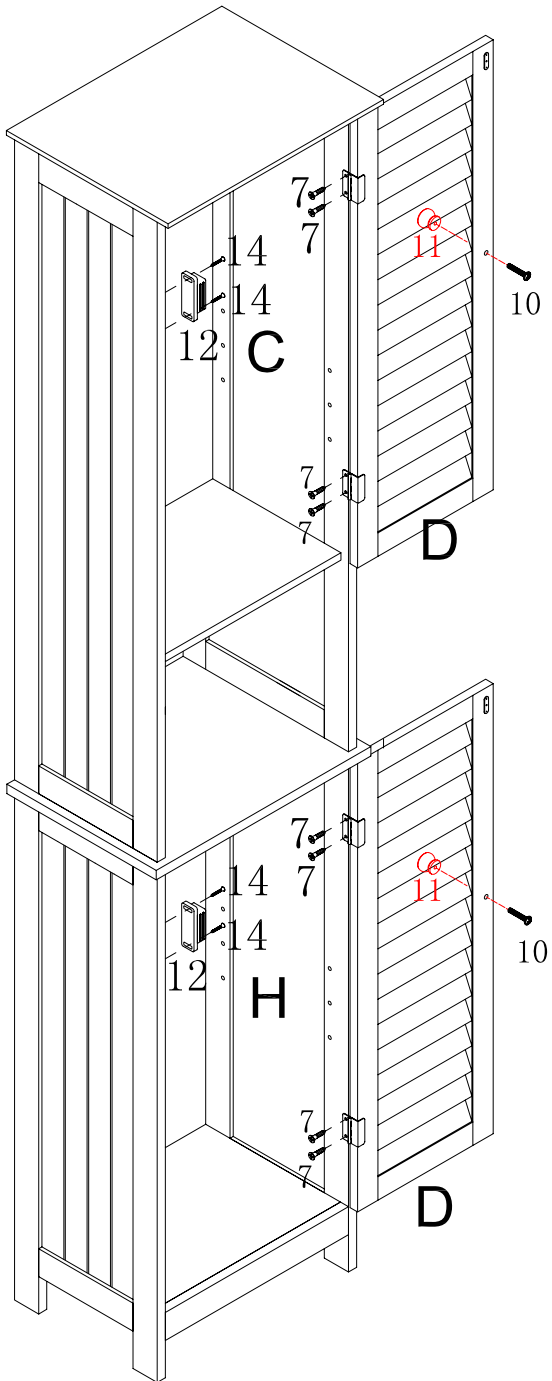
 4x2pcs

7

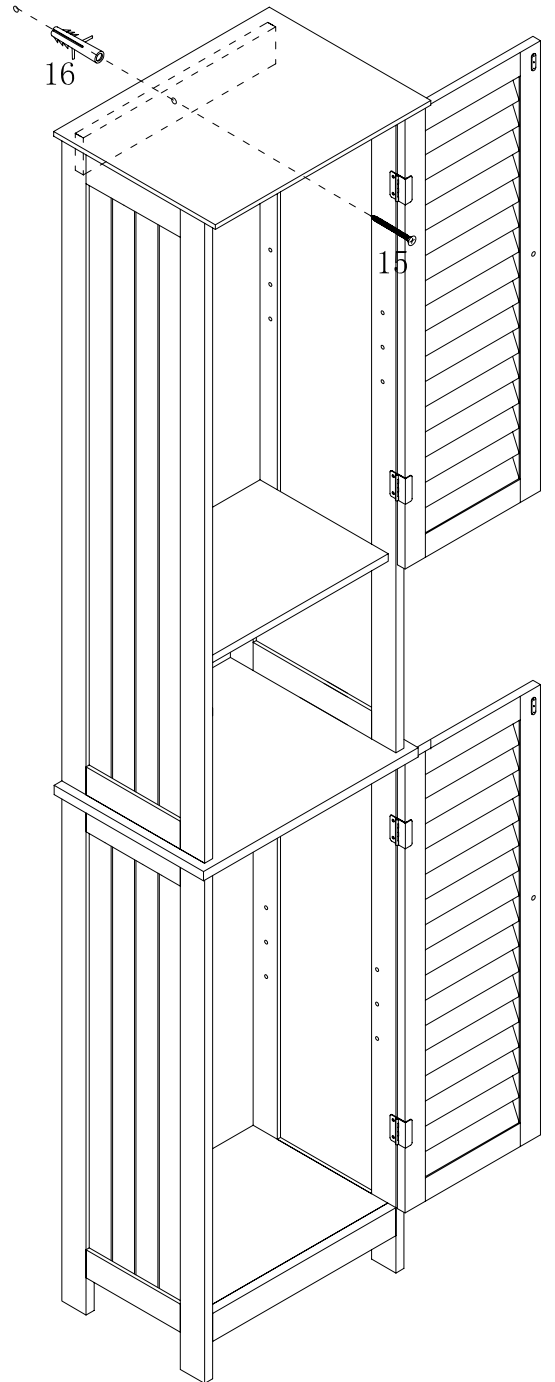


 1x4pcs	 3x4pcs
 2x4pcs	 9x30pcs

8



9



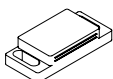
7x8pcs



10x2pcs



11x2pcs



12x2pcs



14x4pcs



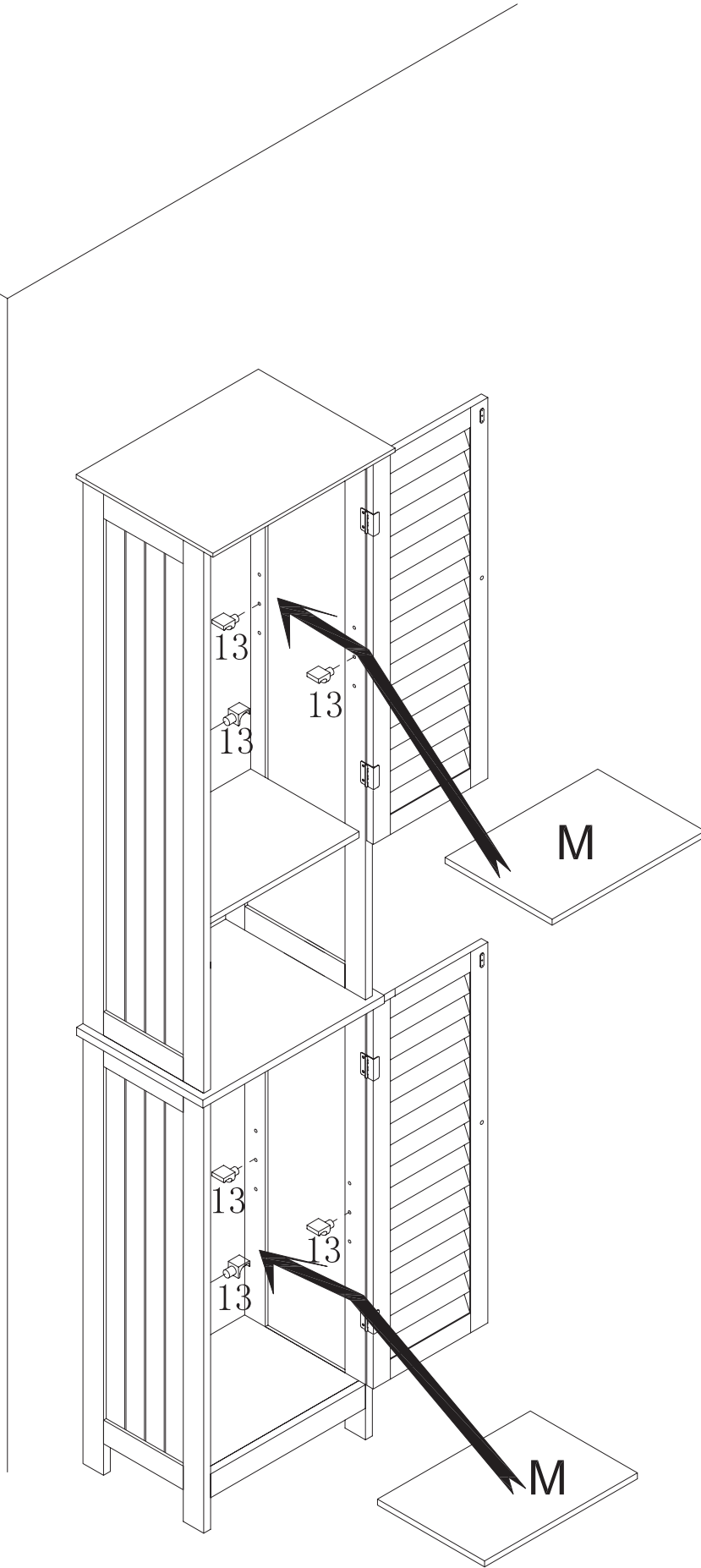
15x1pc



16x1pc

7 - 8

10



13x8pcs