

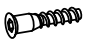























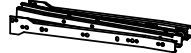
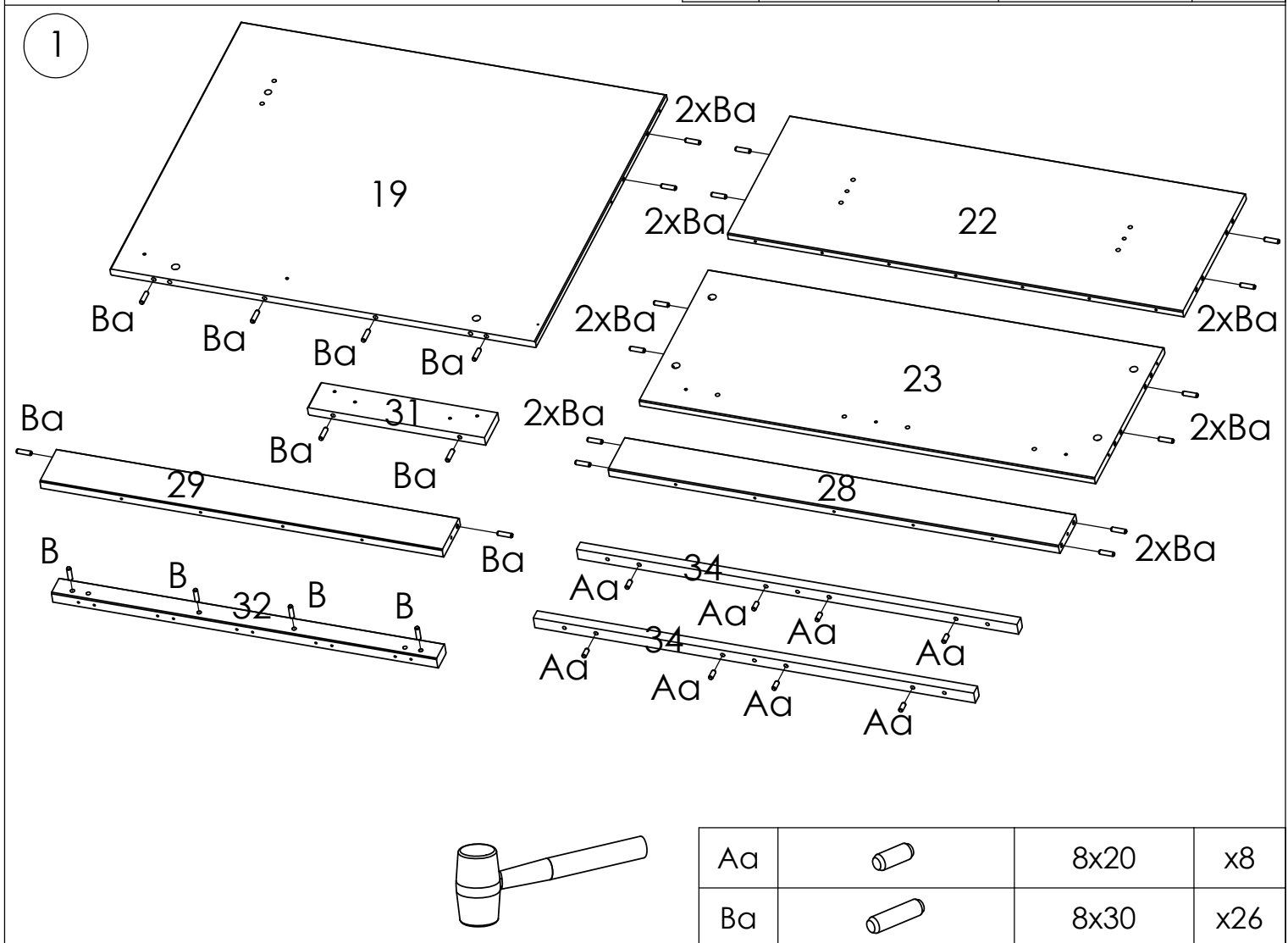
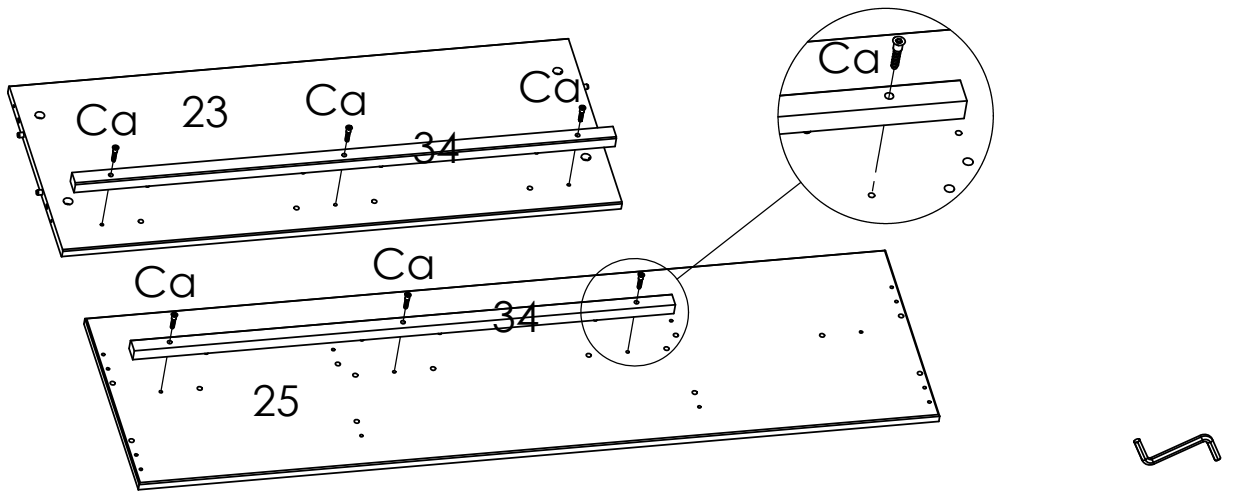



Aa		8x20	x8
Ba		8x30	x38
Ca		7x30	x6
E		7x50	x4
Ea		M6x35	x2
Fa		M6x8x15x15	x2
Ga		7x34	x18
Ha		15x12	x18
G		5x38	x31
Ja		5x50	x4
Ka		21x21x16	x2
La		3,5x15	x4
Ma		3x20	x4

Q		3,5x40	x19
Oa		3,5x16	x21
J		4x30	x4
Ra		D19x6	x4
P		D13	x4
Z		D20	x2
M		D4x13	x3
O		D15x18	x2
V		D26	x2
Qa		D35	x4
W		11/5,8x6,5	x4
WS		11/6,2x9	x8
T		4mm	x2
Y		350	x1

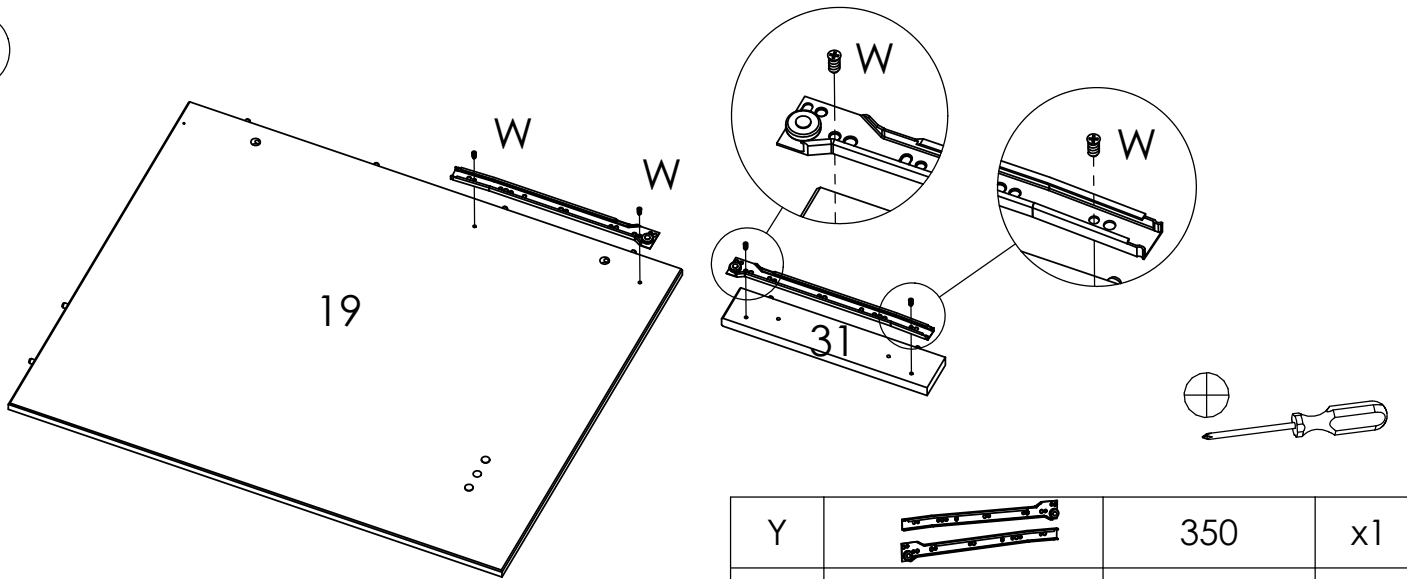


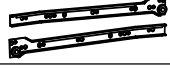

2



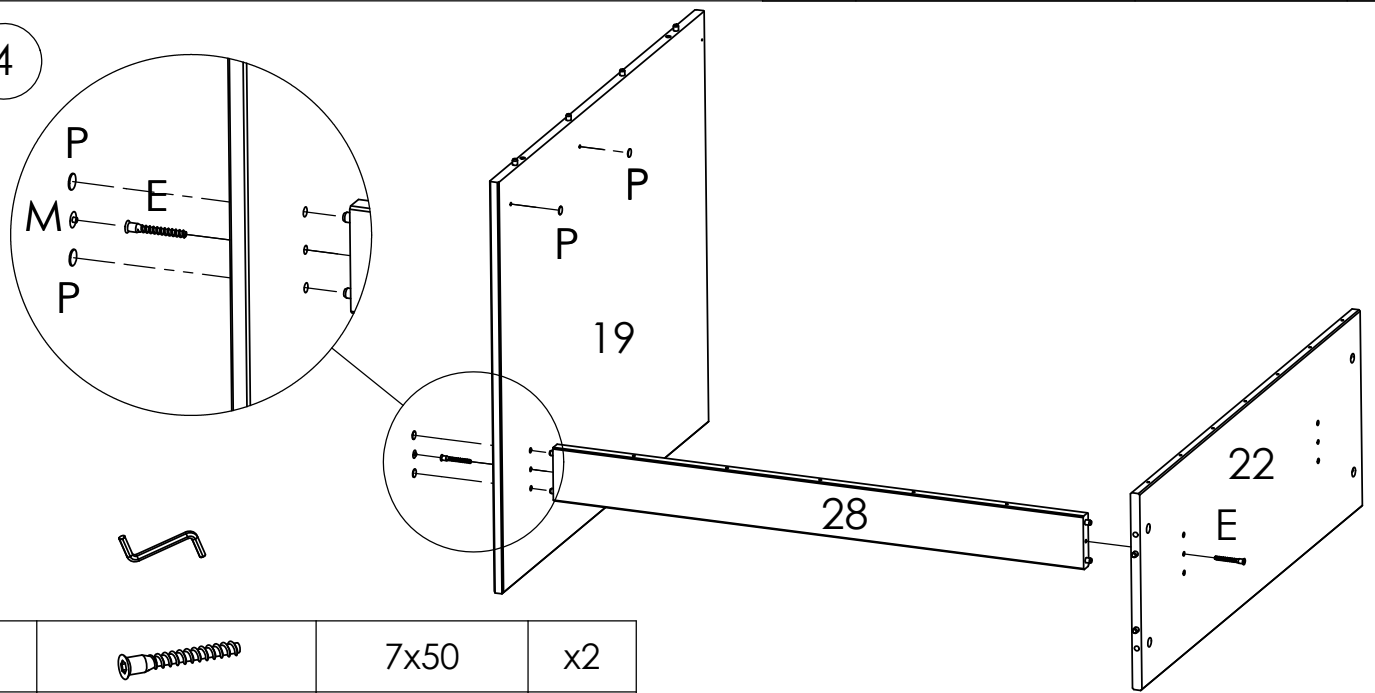
Ca		7x30	x6
----	---	------	----




3



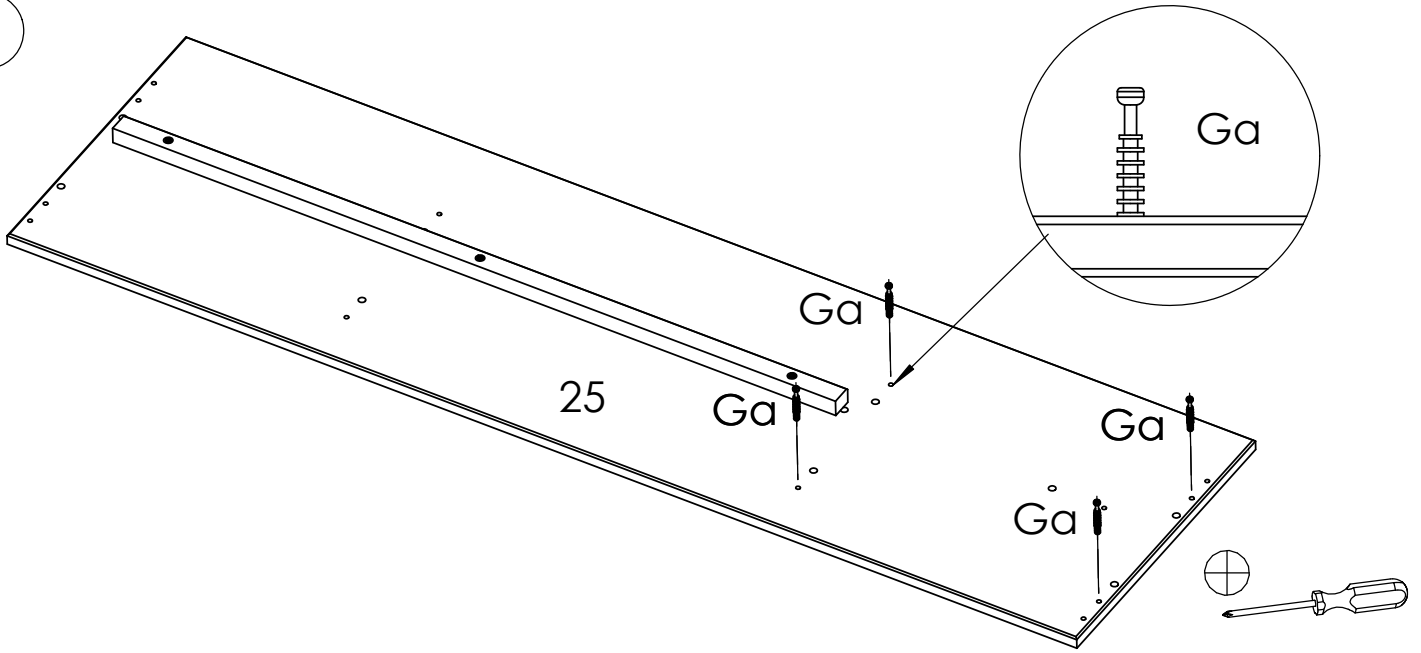
Y		350	x1
W		11/5,8x6,5	x4


4



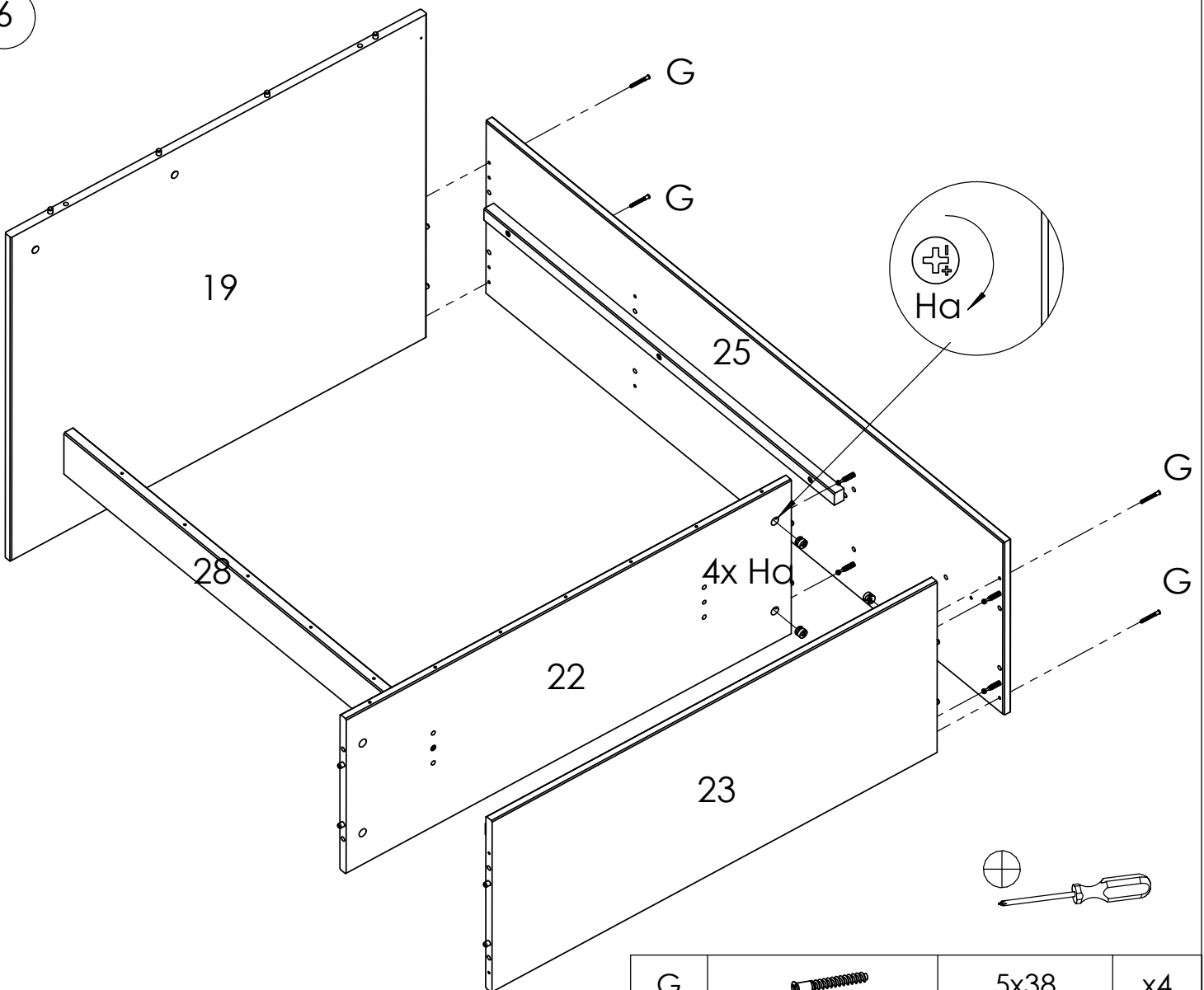
E		7x50	x2
M		D4x13	x1
P		D13	x4



5



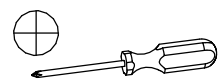
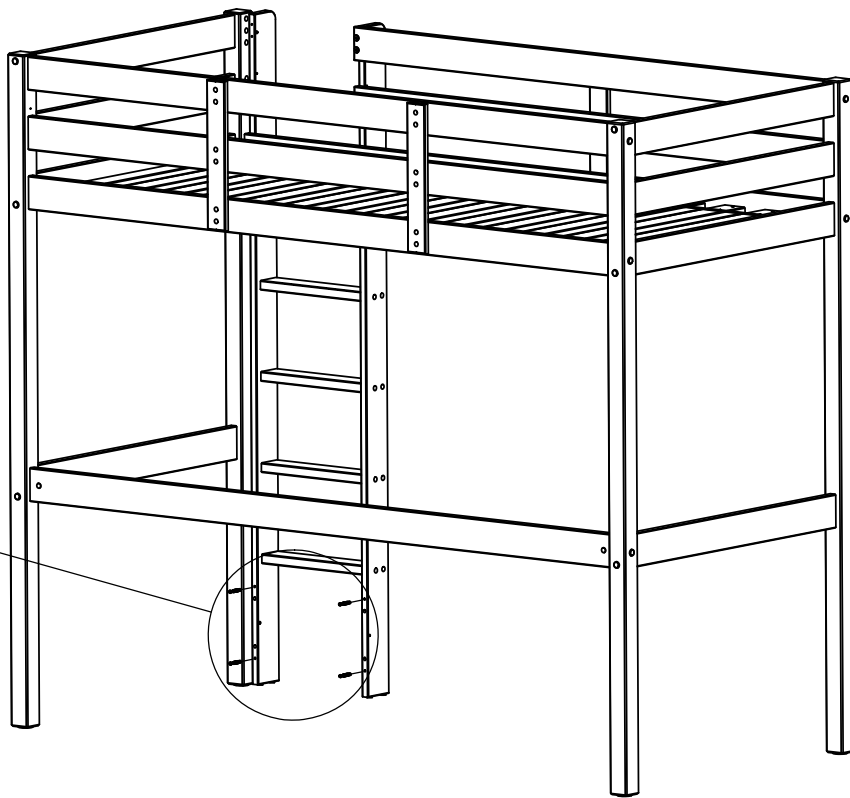
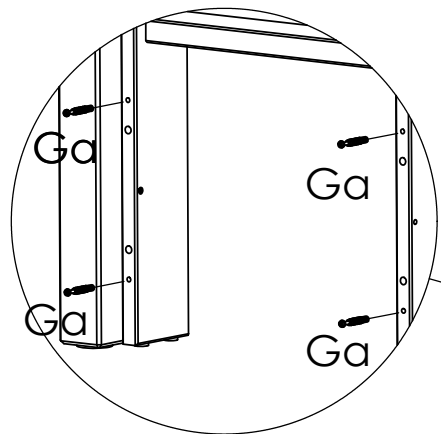
Ga		7x34	x4
----	---	------	----


6



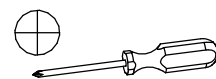
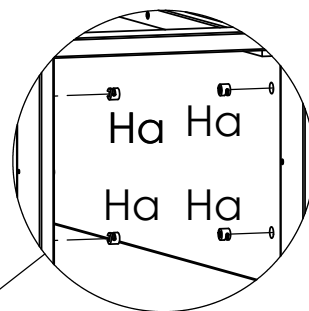
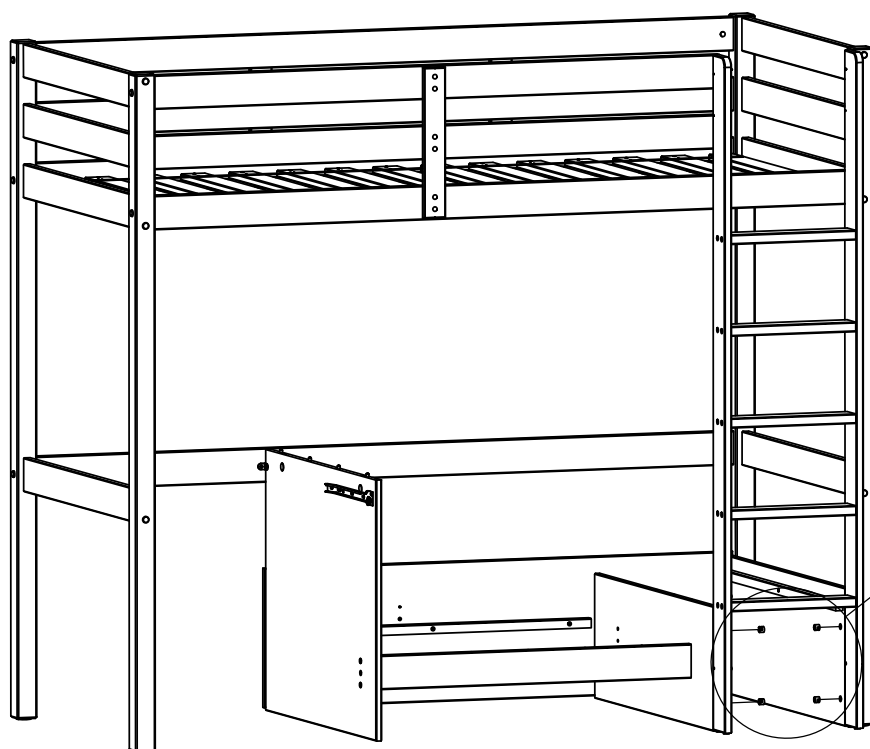
G		5x38	x4
Ha		15x12	x4


7



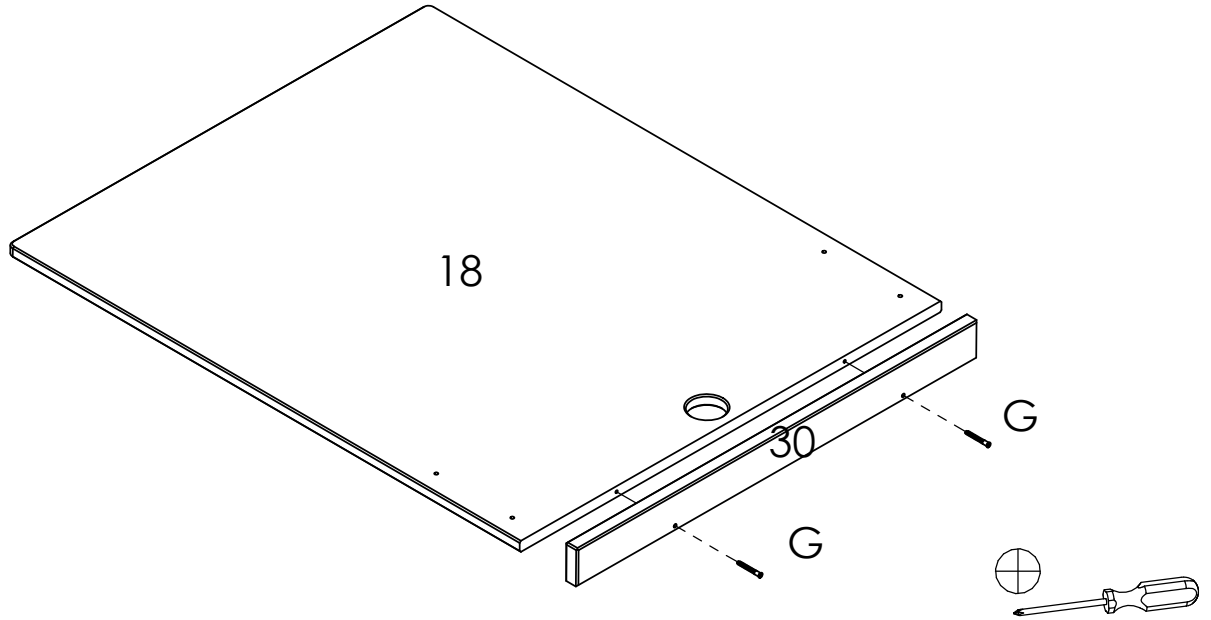
Ga		7x34	x4
----	---	------	----


8



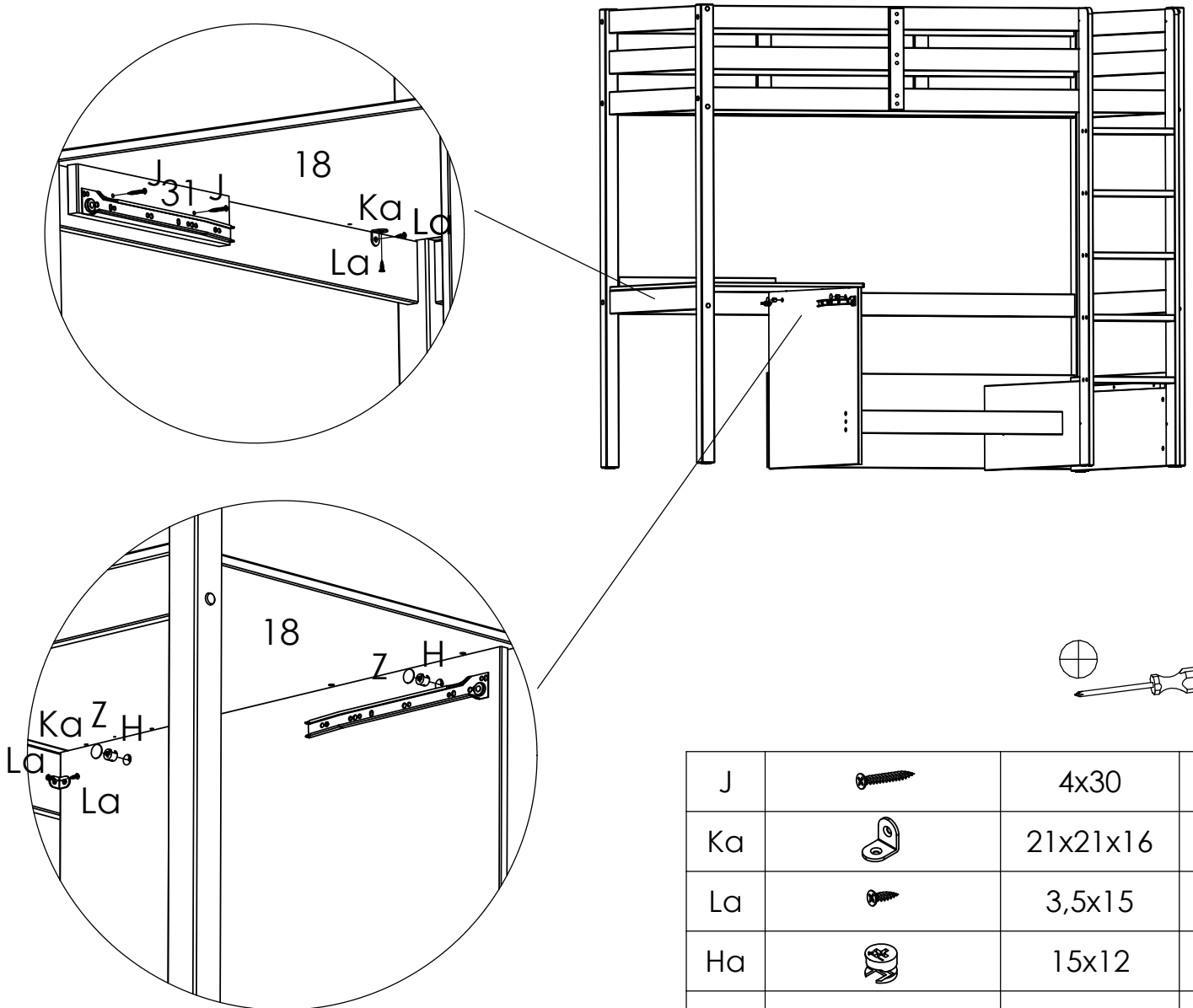
Ha		15x12	x4
----	---	-------	----






9



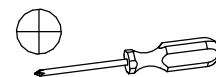
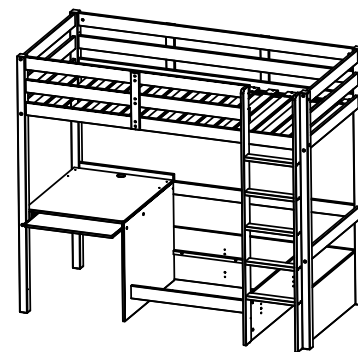
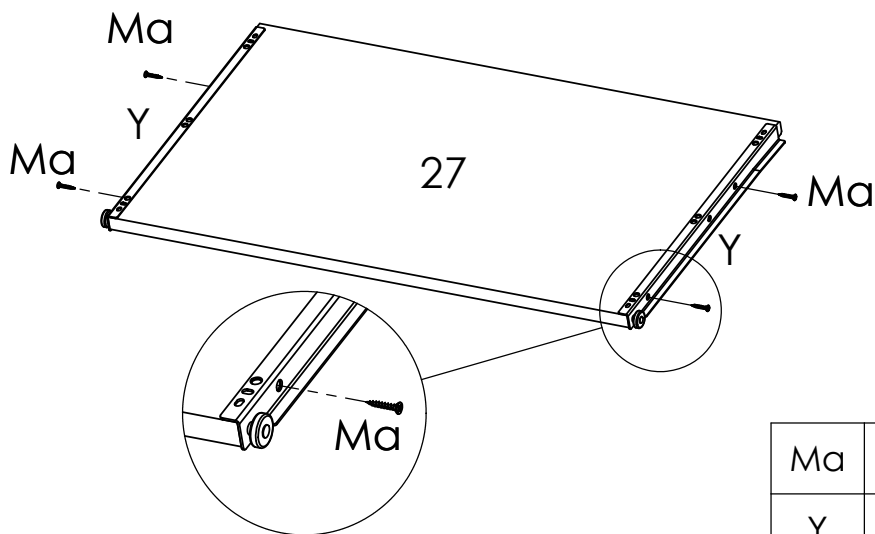
G		5x38	x2
---	---	------	----



10



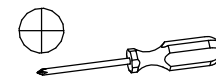
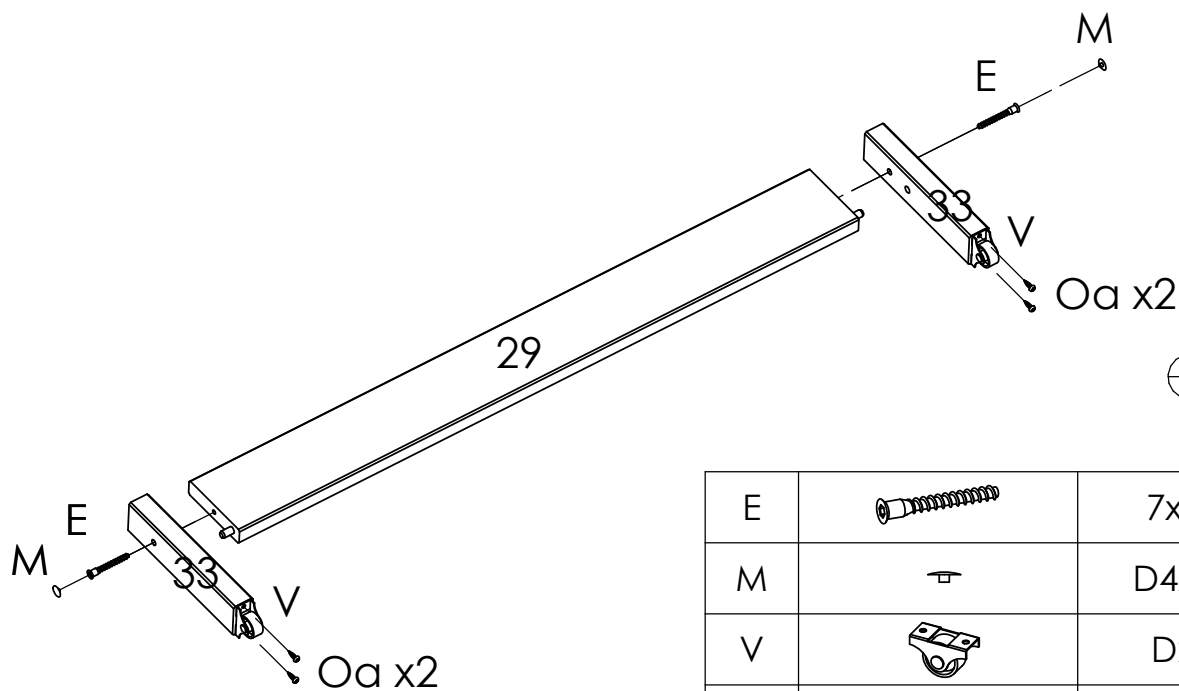
J		4x30	x2
Ka		21x21x16	x2
La		3,5x15	x4
Ha		15x12	x2
Z		D20	x2





11



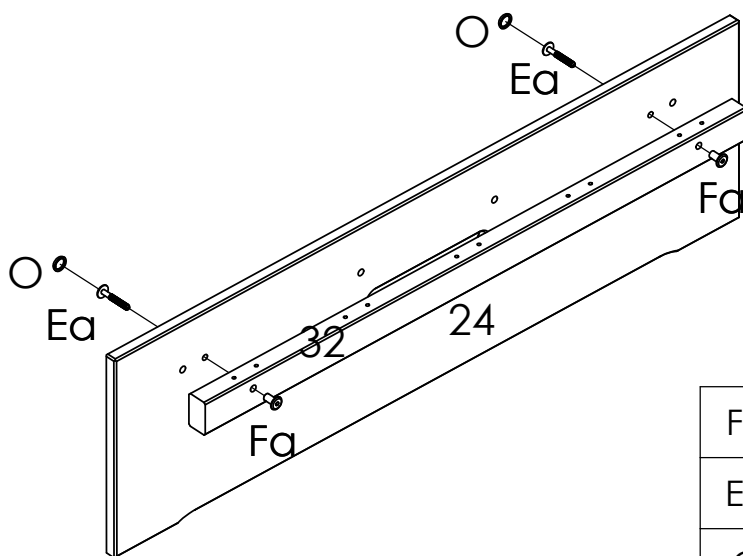
Ma		3x20	x4
Y		350	x1




12



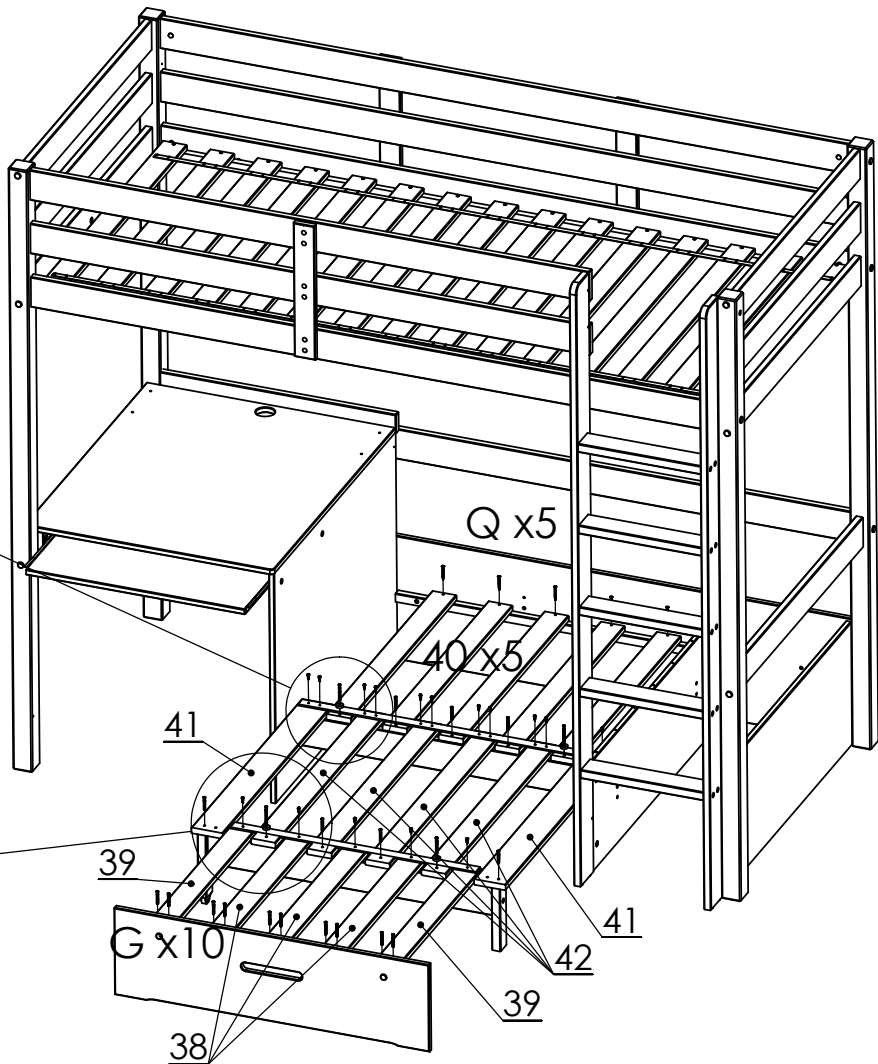
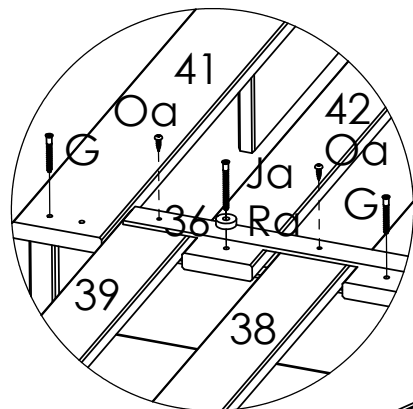
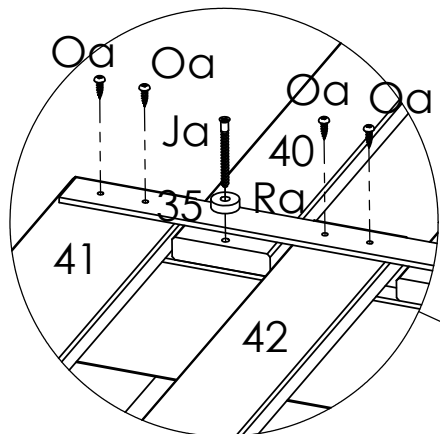
E		7x50	x2
M		D4x13	x2
V		D26	x2
Oa		3,5x16	x4

13

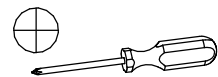
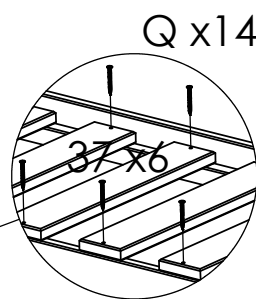
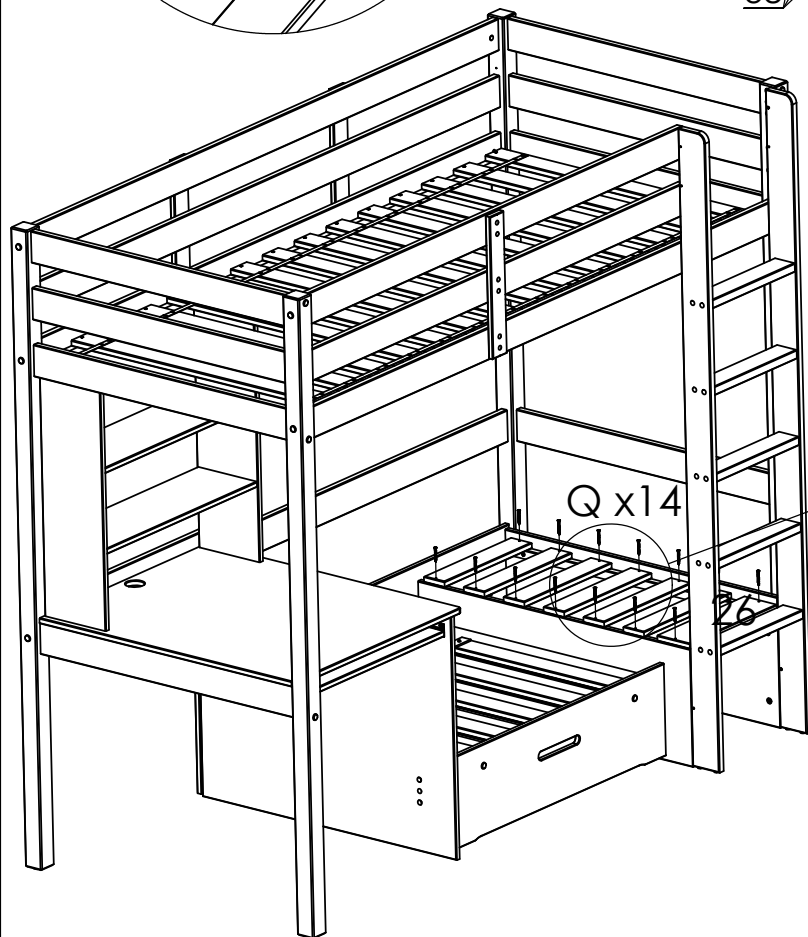


Fa		M6x8x15	x2
Ea		M6x35	x2
O		D15x18	x2

14

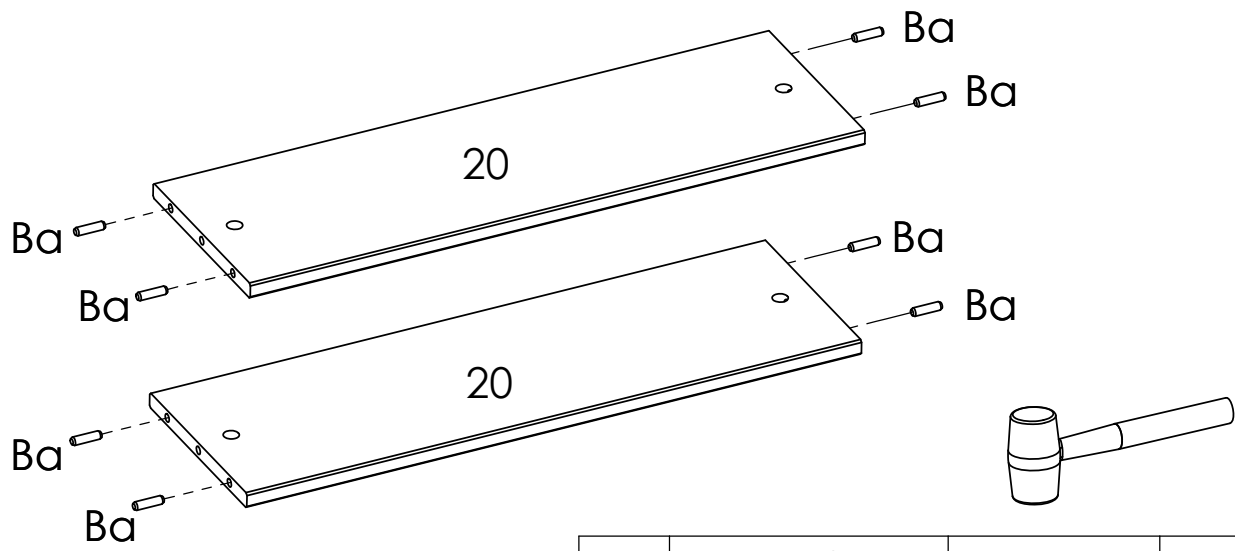



- 37 - 370x70x17mm 6pcs.
- 38 - 590x70x17mm 3pcs.
- 39 - 590x70x17mm 2pcs.
- 40 - 747x70x17mm 5pcs.
- 41 - 780x90x17mm 2pcs.
- 42 - 780x70x17mm 4pcs.



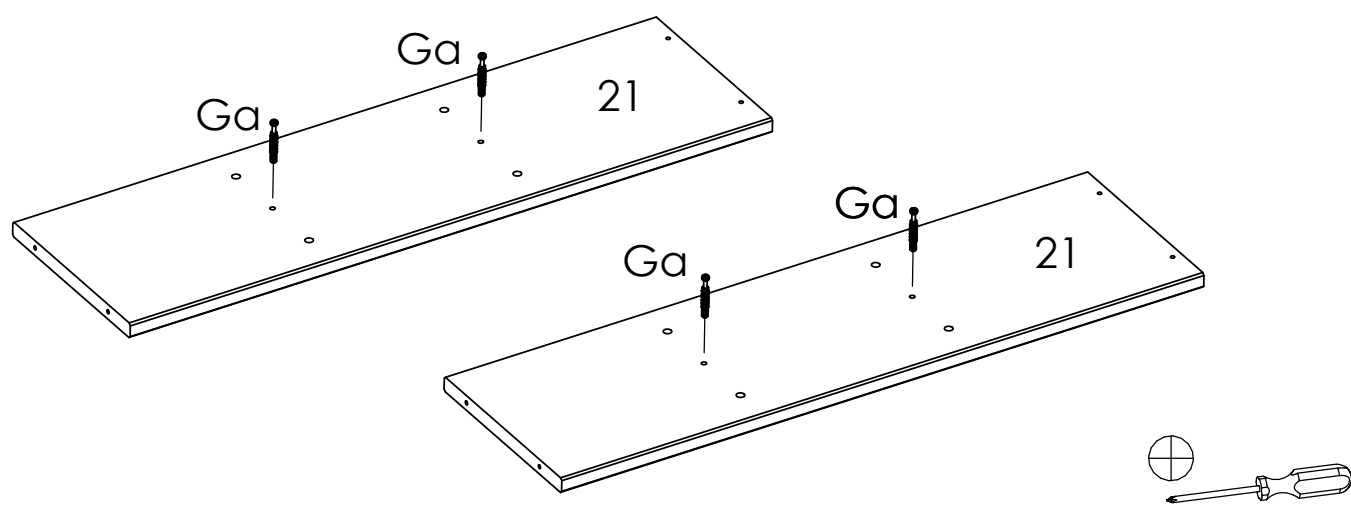
Ra		D19x6	x4
Oa		3,5x16	x17
G		5x38	x17
Ja		5x50	x4
Q		3,5x40	x19


15



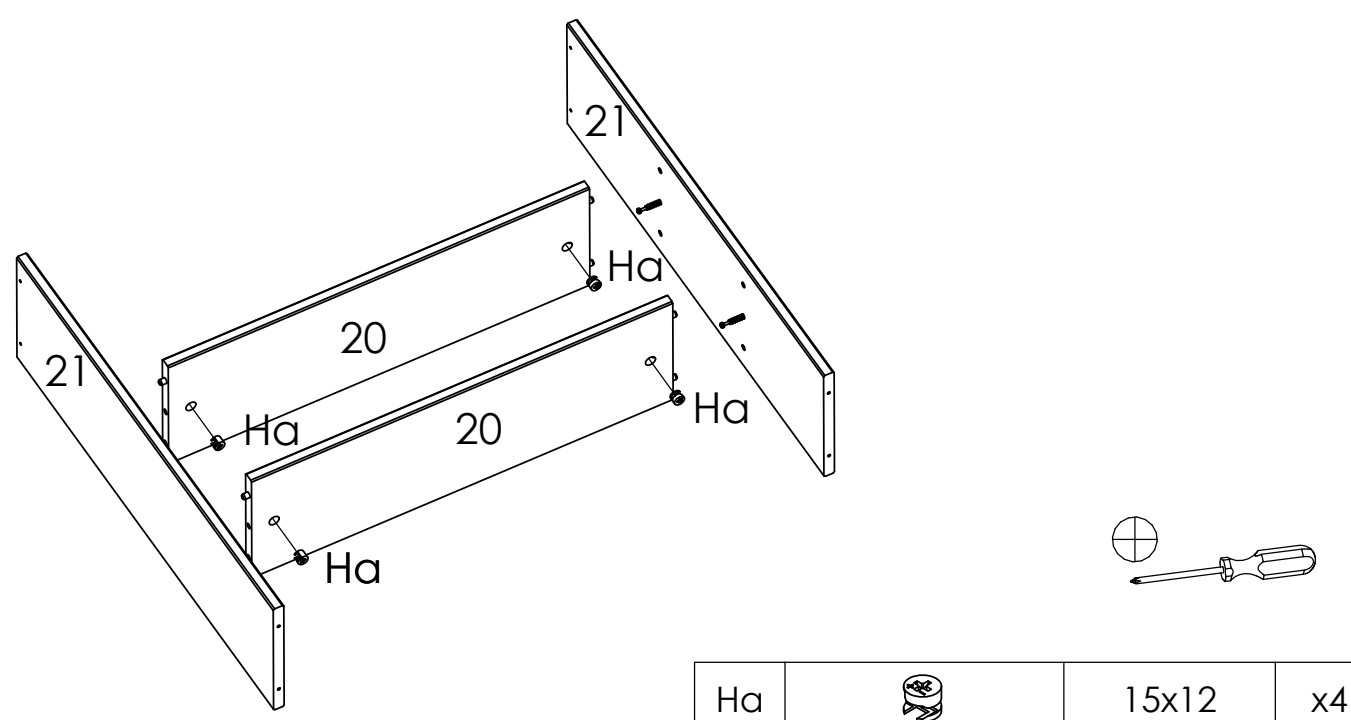
Ba		8x30	x8
----	---	------	----


16



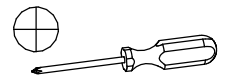
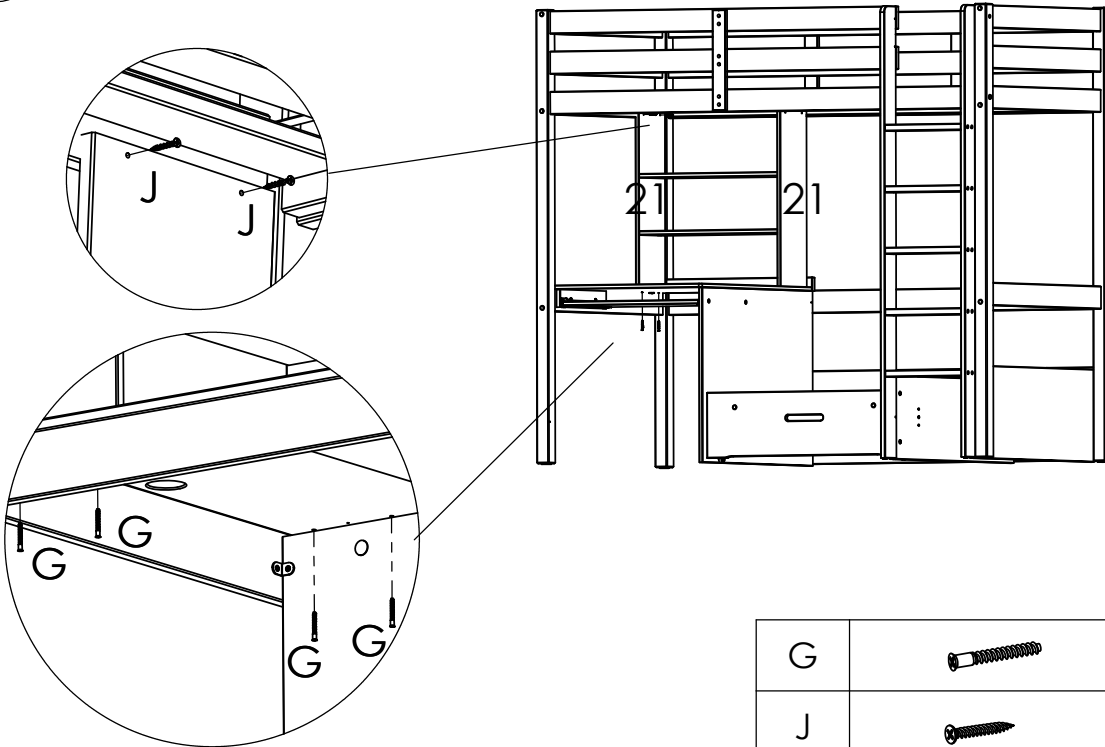
Ga		7x34	x4
----	---	------	----



17



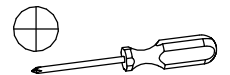
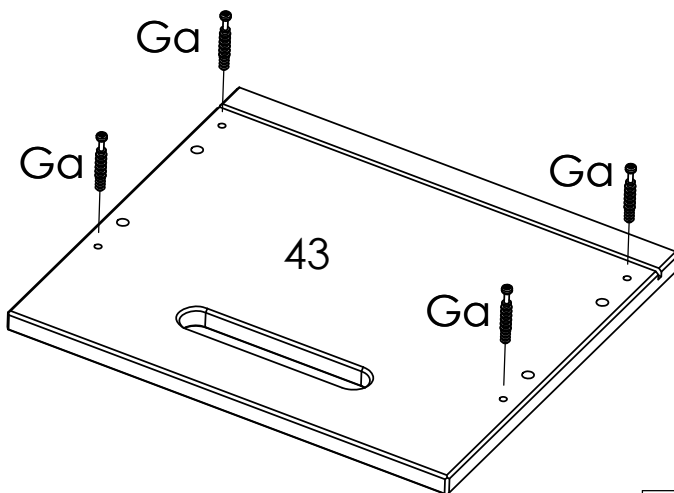
Ha		15x12	x4
----	---	-------	----


18



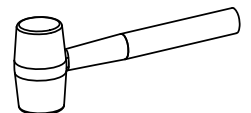
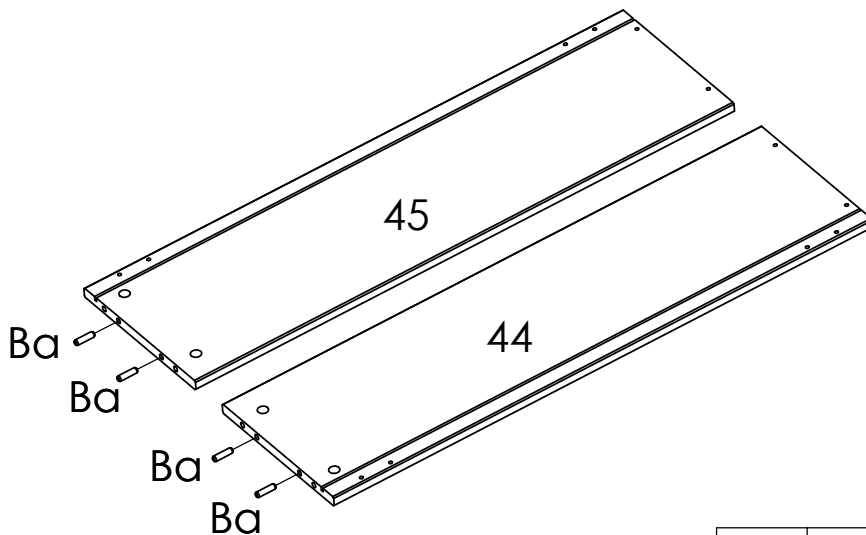
G		5x38	x4
J		4x30	x2

19



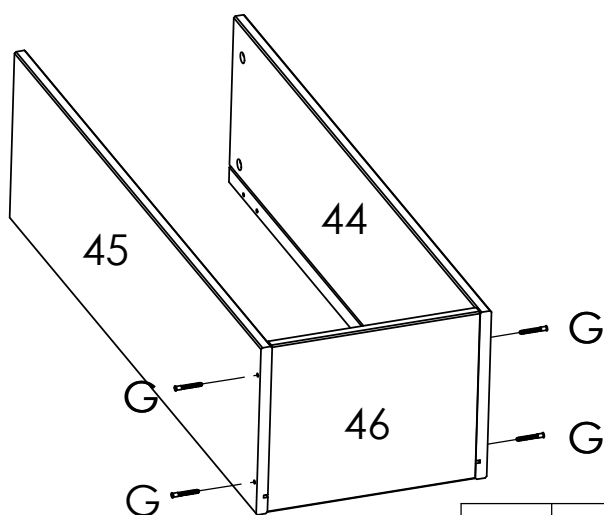
Ga		7x34	x4
----	---	------	----


20



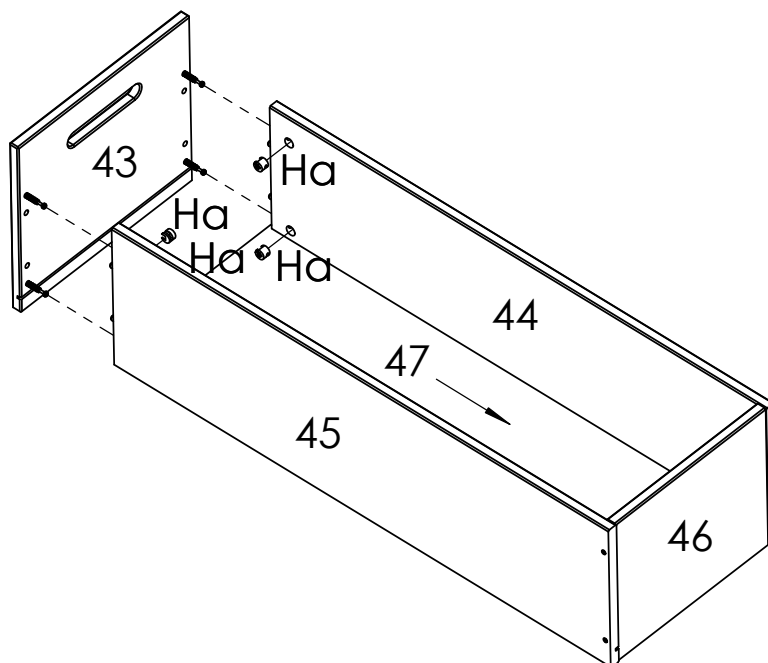
Ba		8x30	x4
----	---	------	----


21



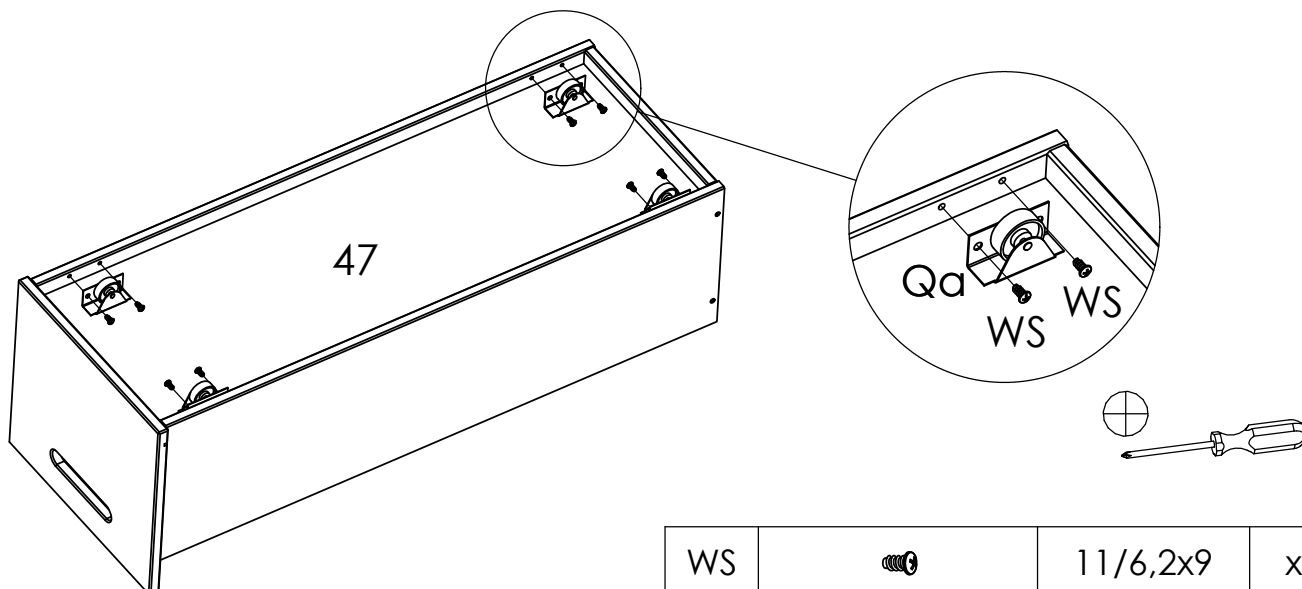
G		5x38	x4
---	---	------	----



22



Ha		15x12	x4
----	---	-------	----

23



WS		11/6,2x9	x8
Qa		D35	x4