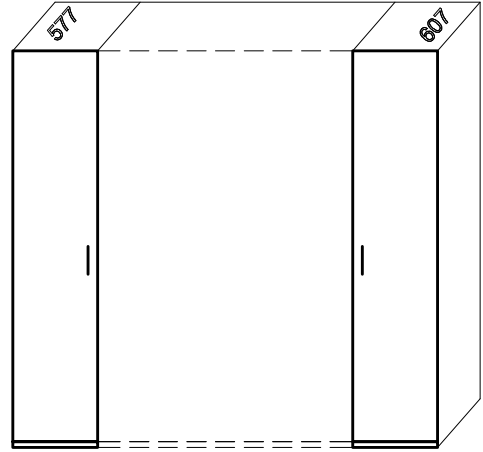
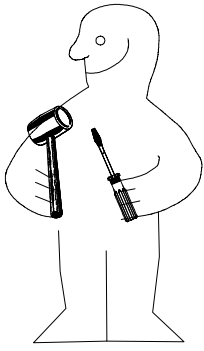
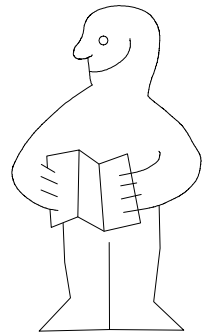
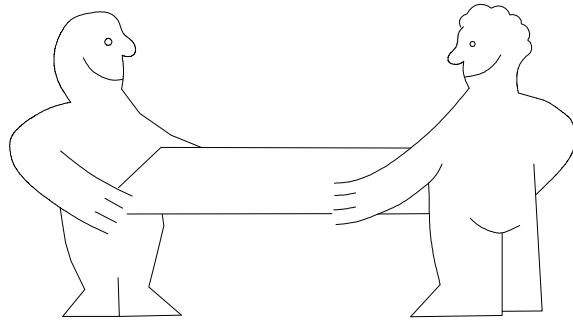
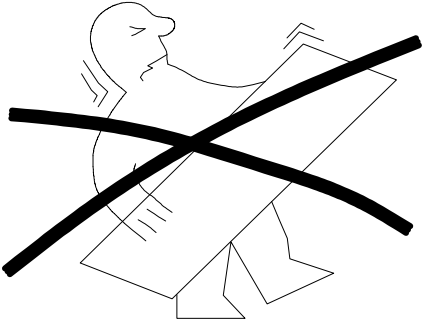


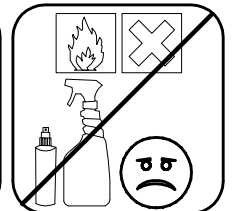
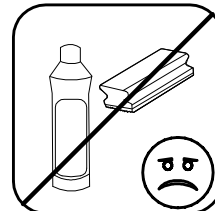
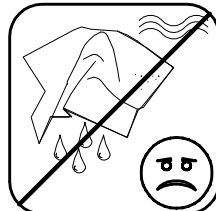
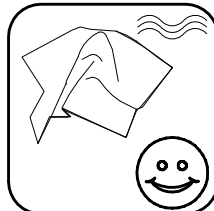
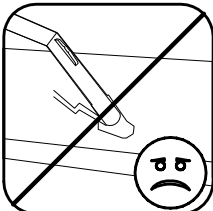
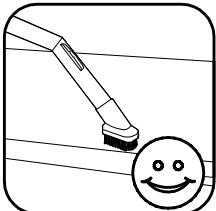
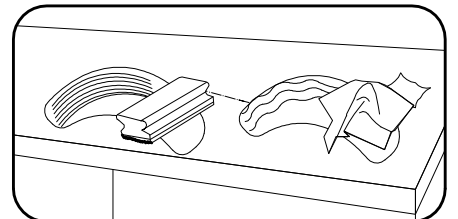
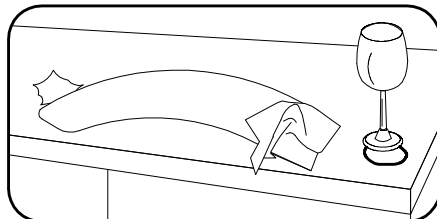
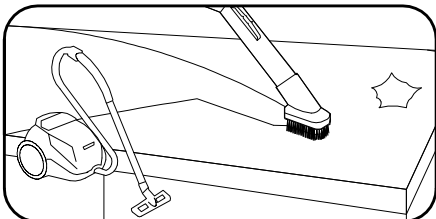
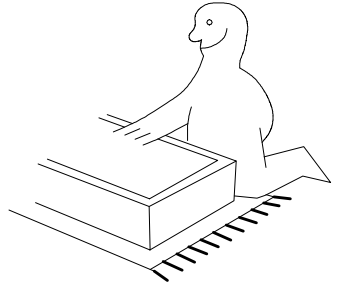
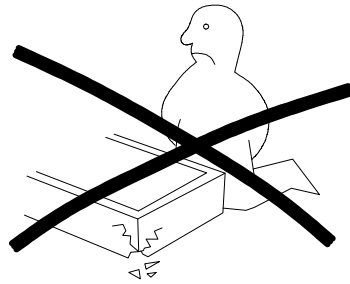
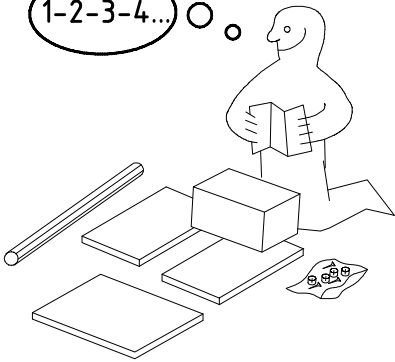
980337



NSP 2x43 EB



1-2-3-4...



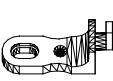


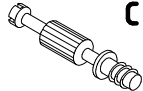
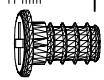

980337

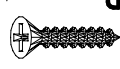
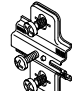
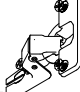

25.10.15 / -

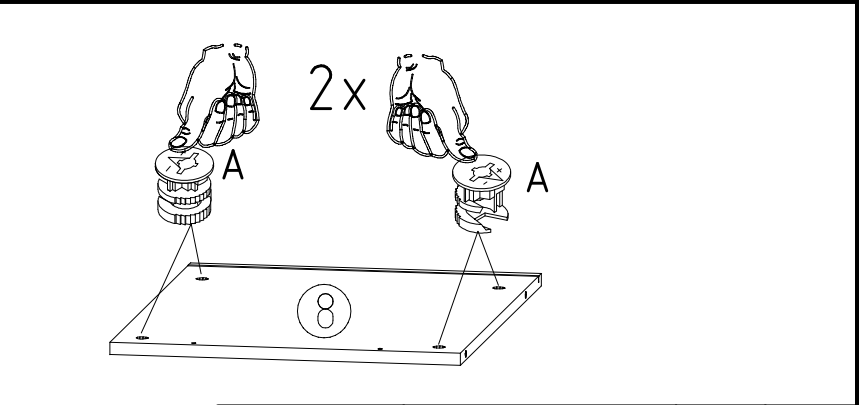
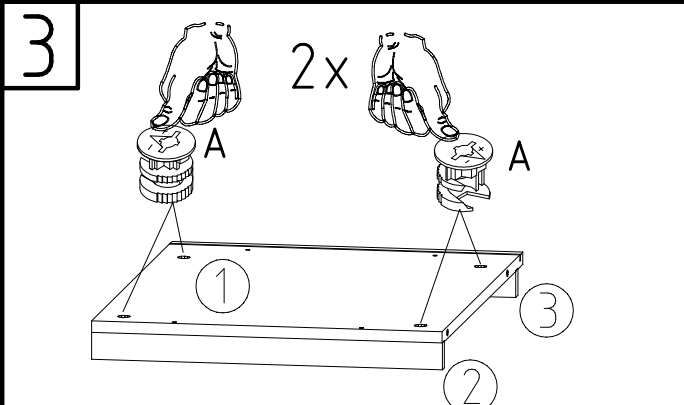
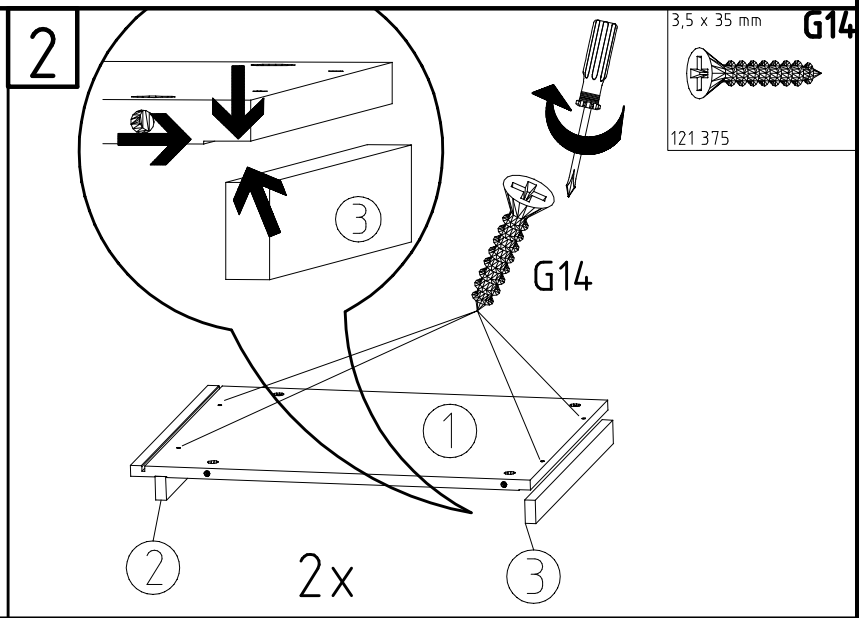
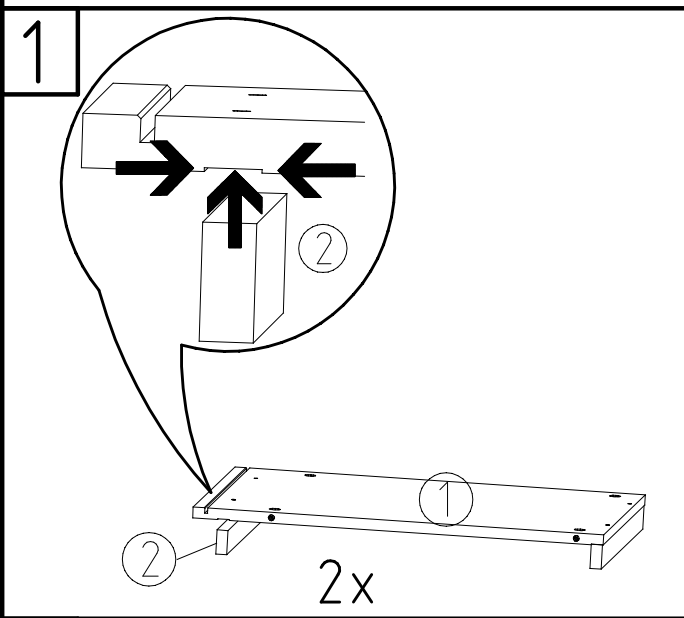
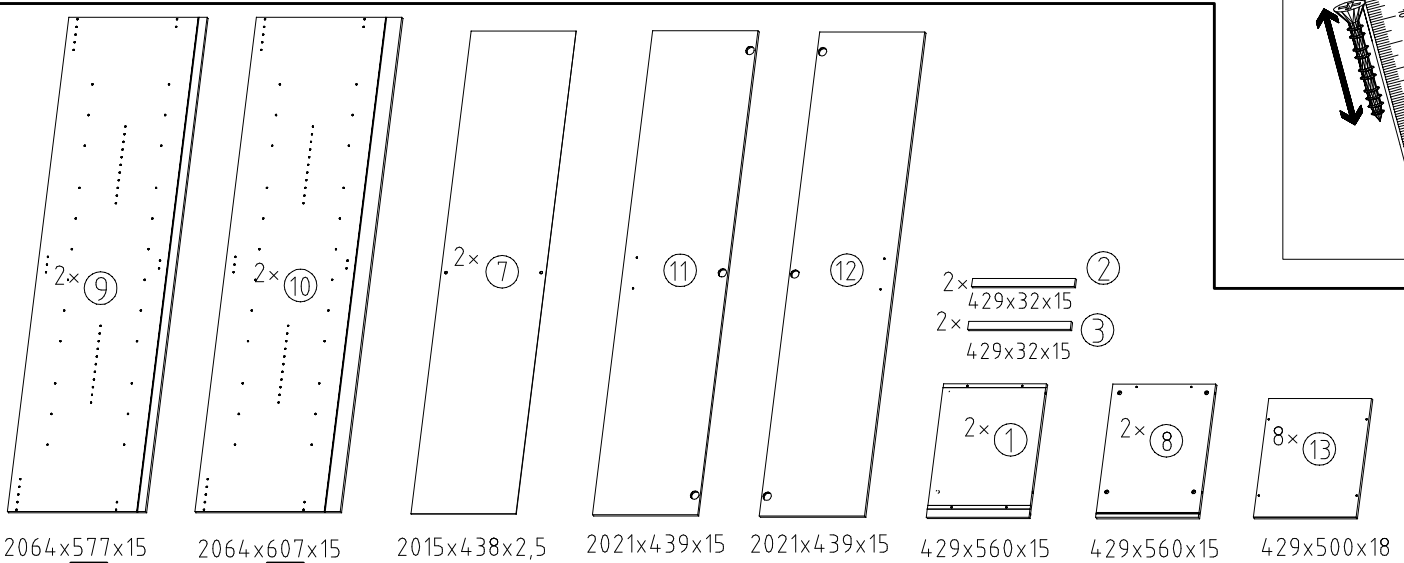
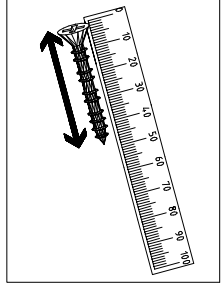
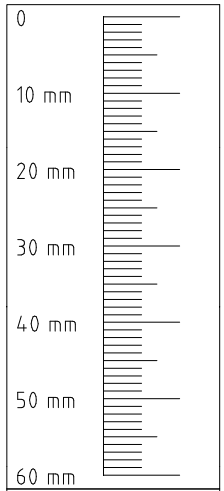
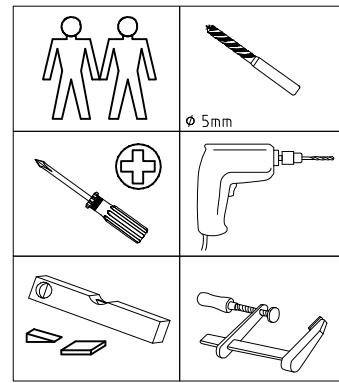
10 15

1/7

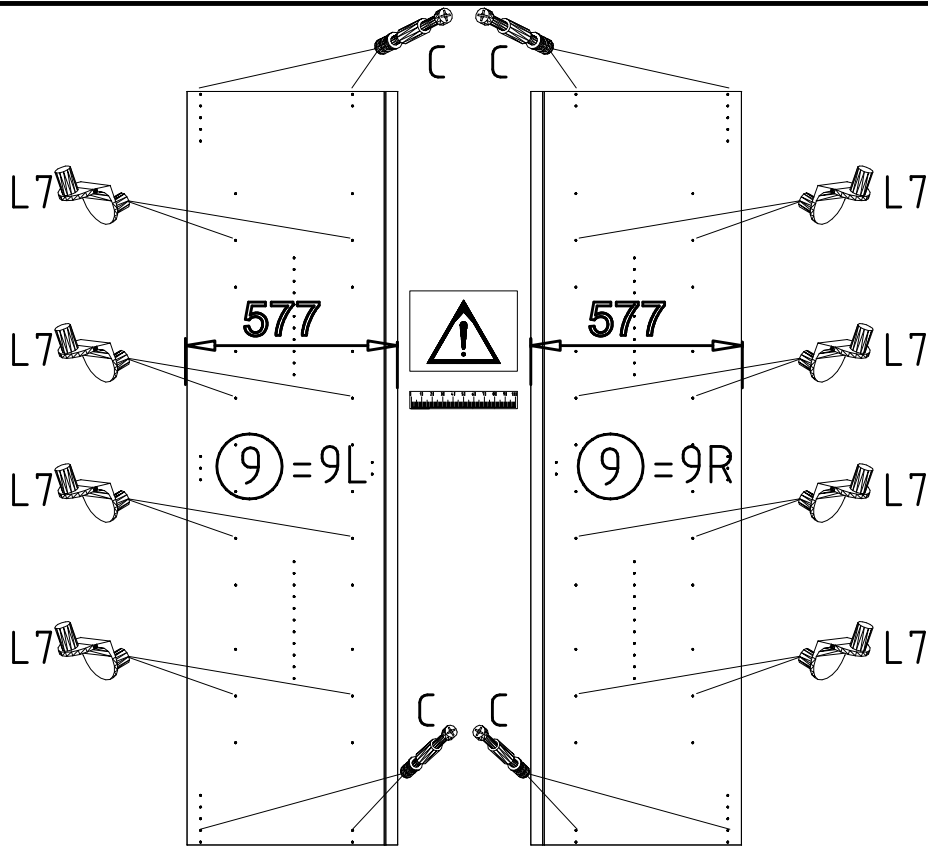
 111 102	A 16x
 111 610	L7 32x
 111 174	J1 4x

 111 103	C 16x
 M6 x 11 mm	T6 4x
 3,5 x 15 mm	G1 4x

 3,5 x 35 mm	G14 8x
 121 375	M 6x
 112 268	N 6x
 4 X 27mm	SP27 10x



4



L7

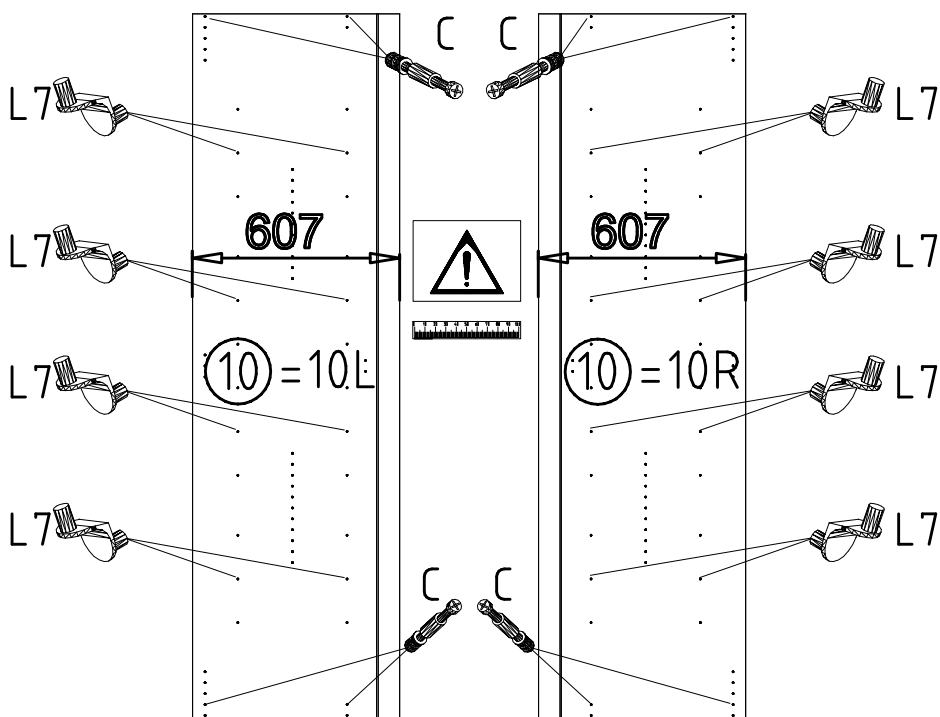
111 610

+

C

111 103

5



L7

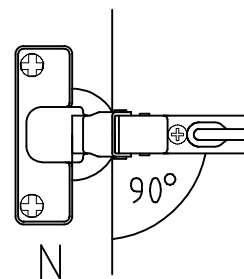
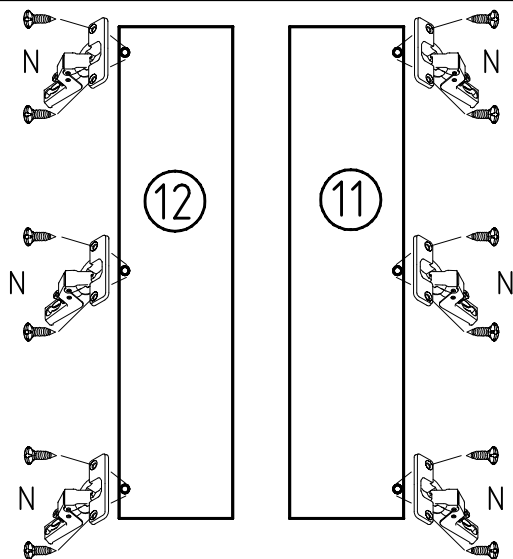
111 610

+

C

111 103

6



+

N

112 267

7

9L 9R 10L 10R

1 577 607

1

8

7 8

7

8

J1 G1 T6

121 370

111 174

M6 x 11 mm

121 181

3,5 x 15 mm

G1

9

8

8

10

8

8

9R 10R

1

11

M

9L 9R 10L 10R

M M M M

M M

577 607

L R

112 268

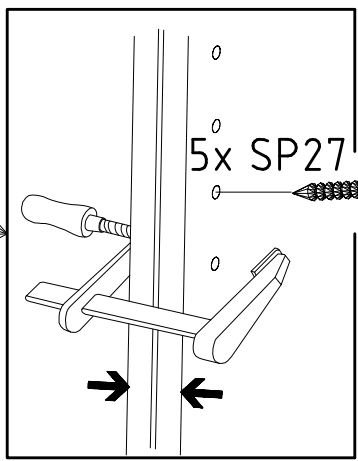
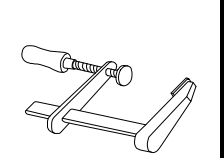
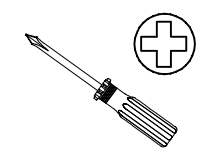
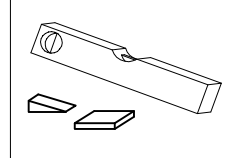
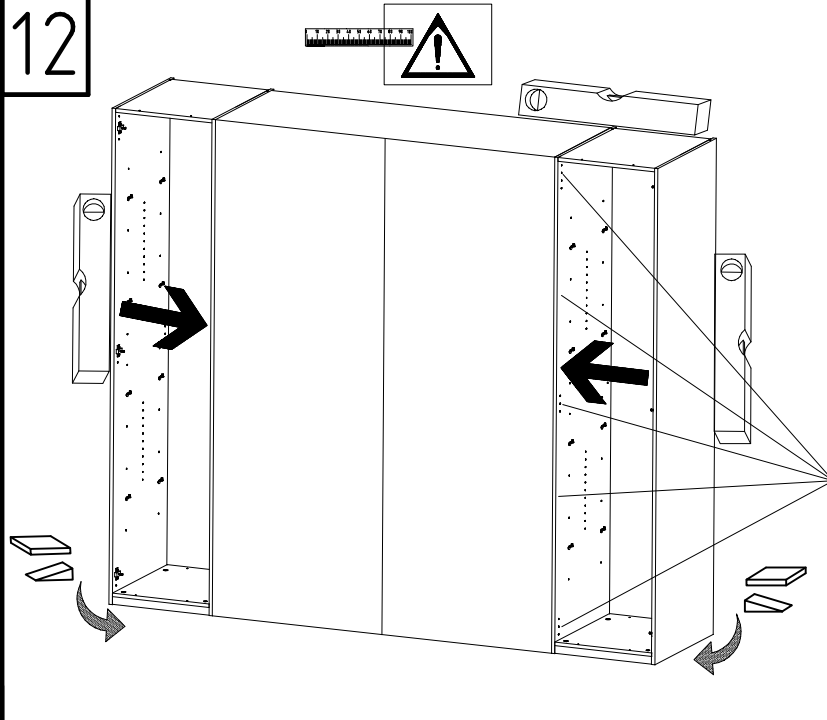
980337

25.10.15 / -

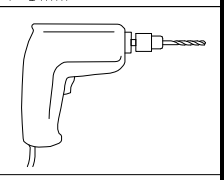
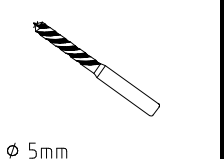
10 15

4 / 7

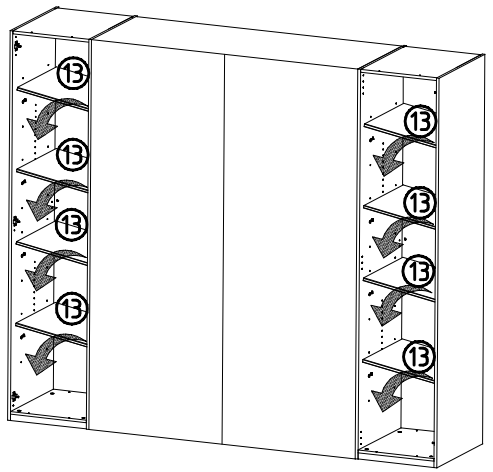
12



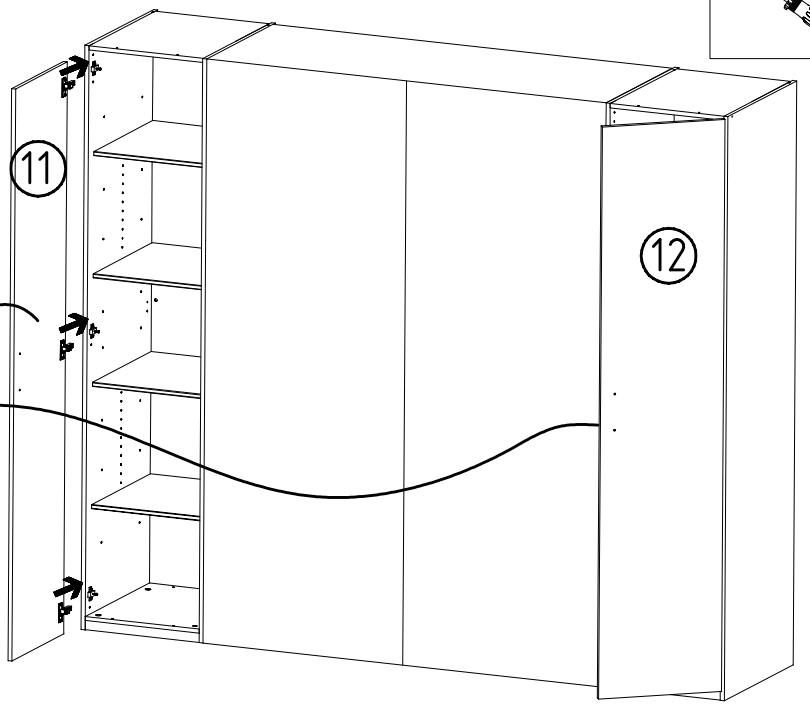
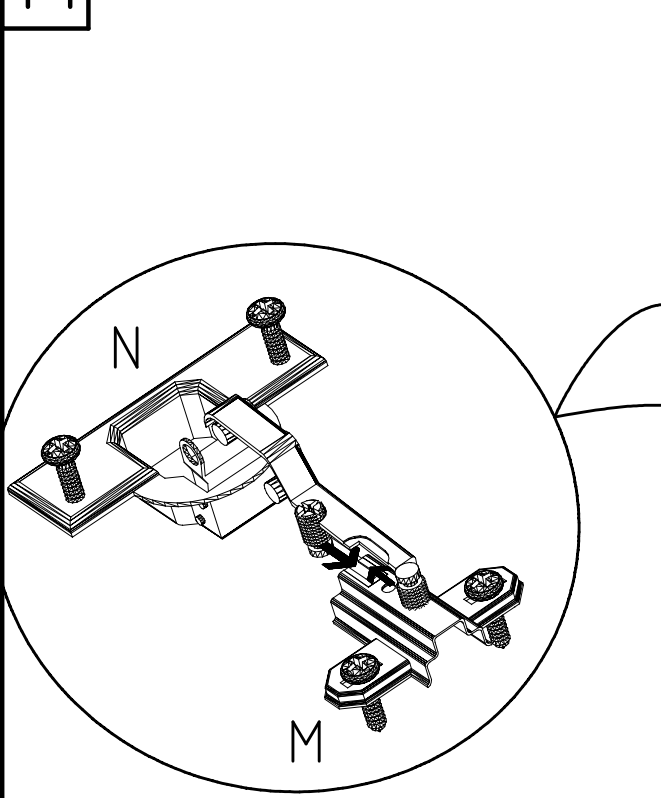
SP27
4 x 27mm
122620

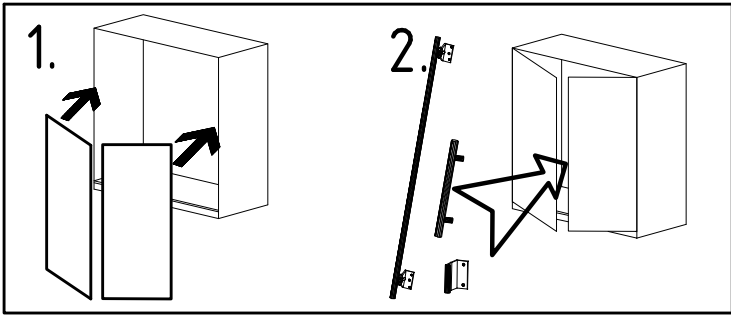
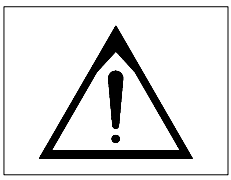


13

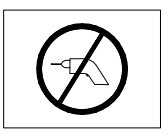
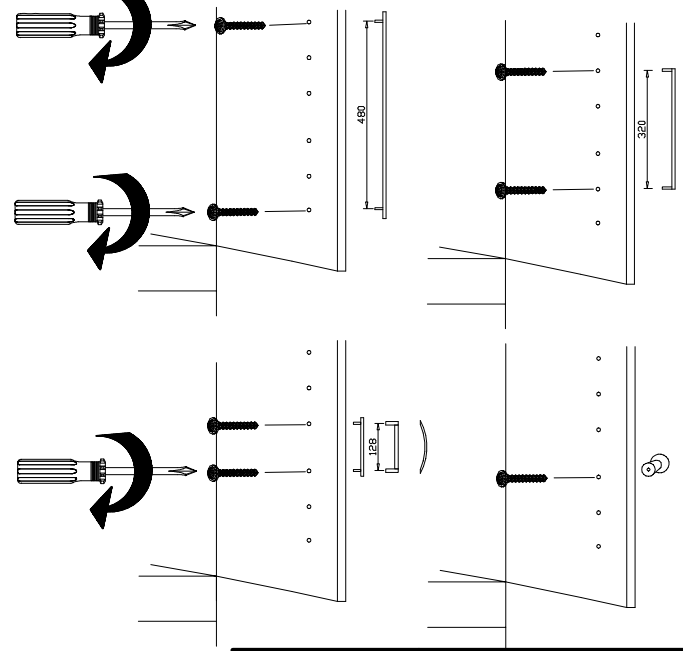
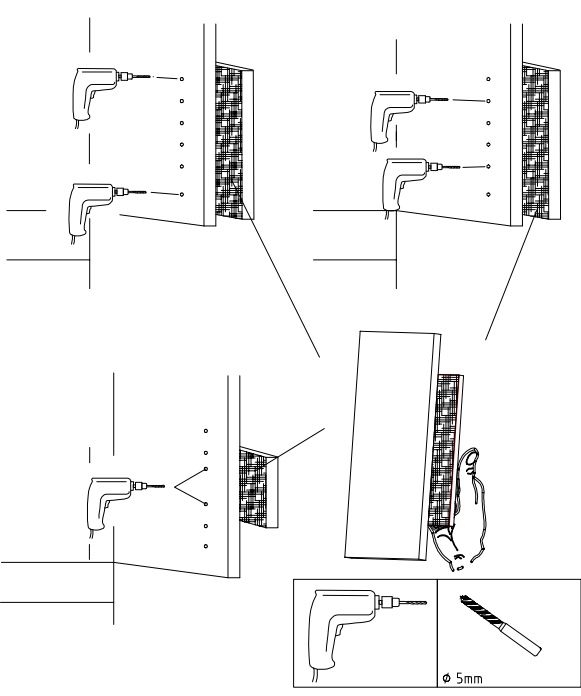
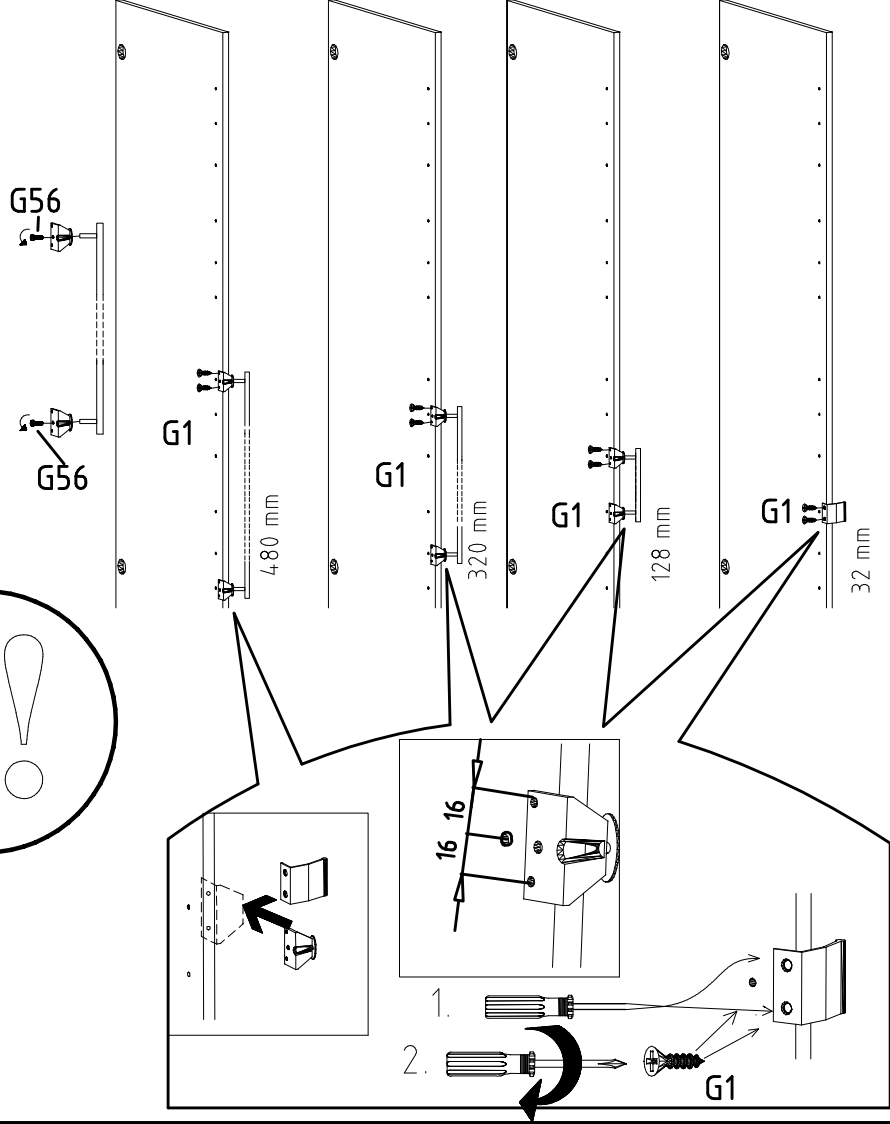
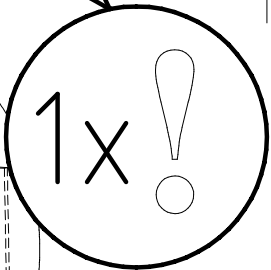
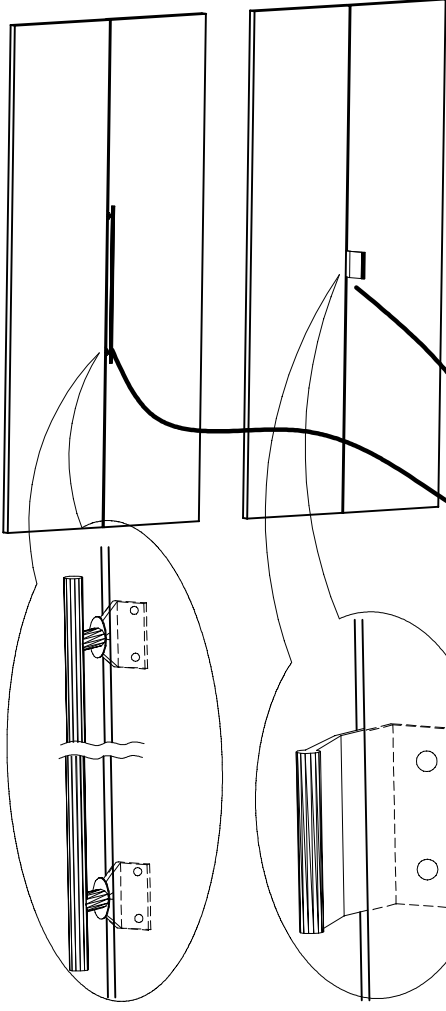


14



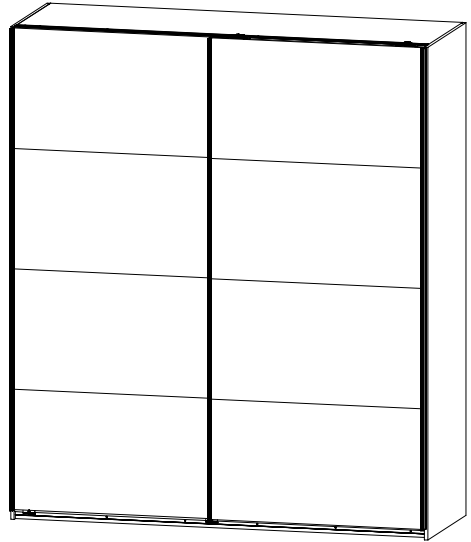
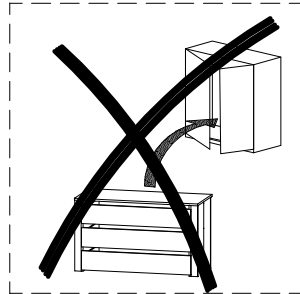
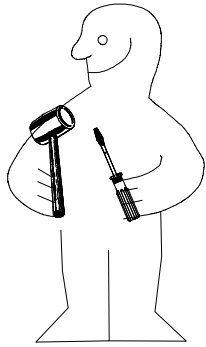


3,5 x 15 mm 121 370	G1	4,0 x 12 mm 122 625	G56
------------------------	----	------------------------	-----

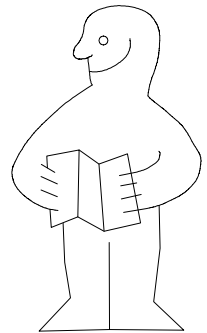
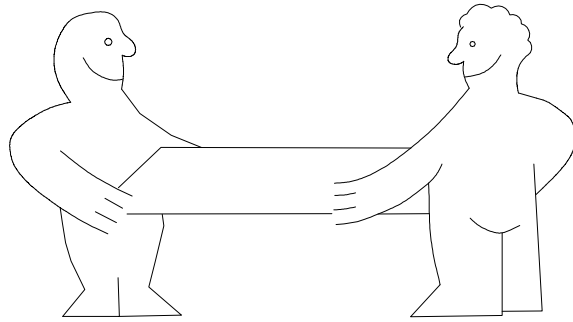
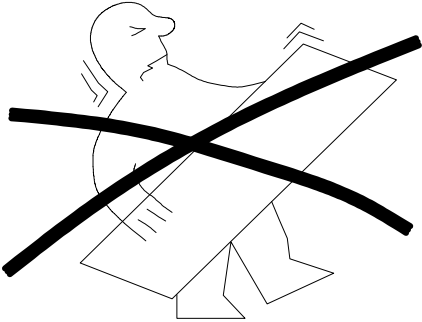


	SP27
4 x 27mm	
122620	
4,0x22	G49
122 609	

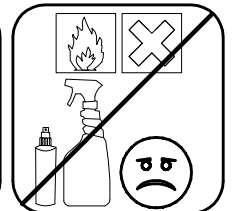
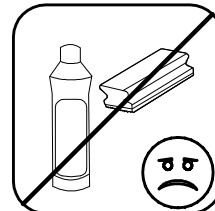
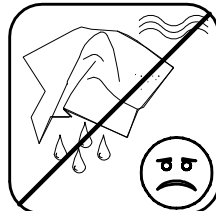
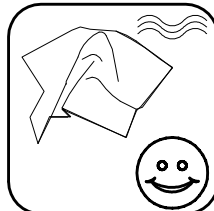
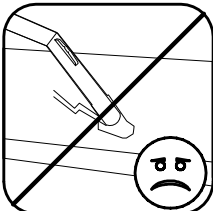
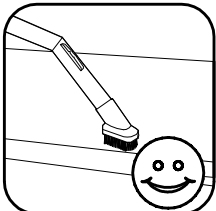
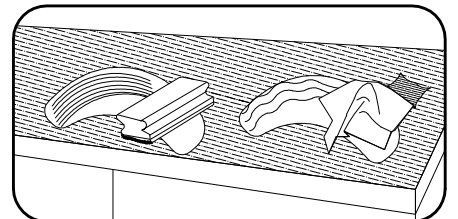
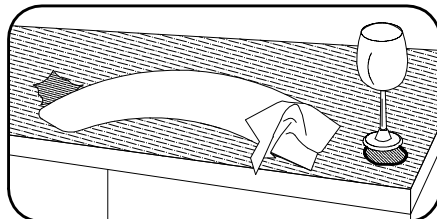
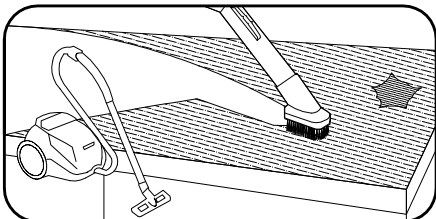
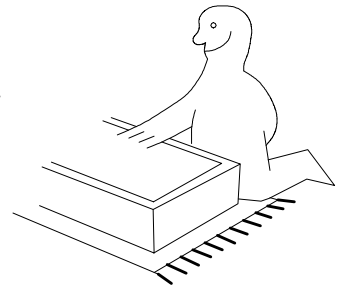
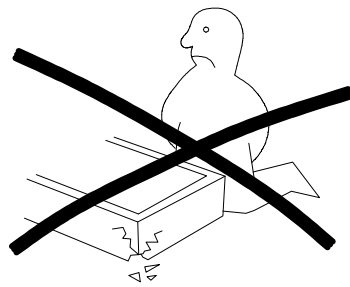
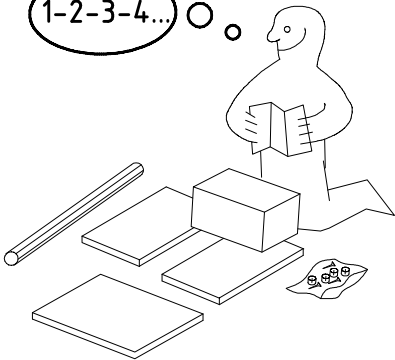
980865



H 135



1-2-3-4...


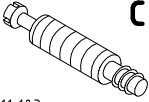
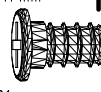




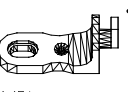
980865


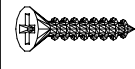
12.12.12 / -

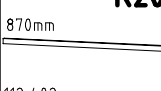
12 12

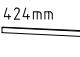
1/15

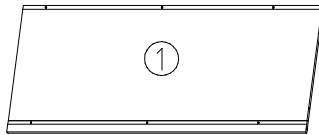
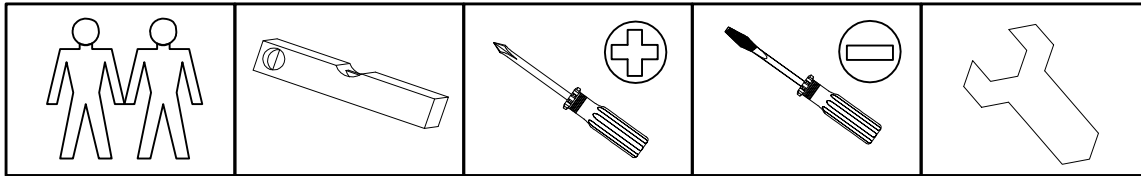
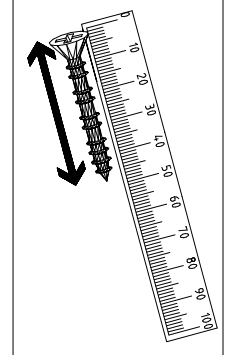
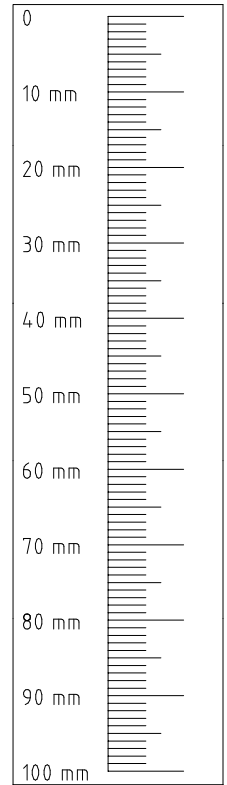
 111 102	A 12x
 111 103 M6 x 11 mm	C 12x
 121 181	T6 4x

 121 370	3,5 x 15 mm G1 8x
 117 001	K1 4x
 111 174	J1 4x

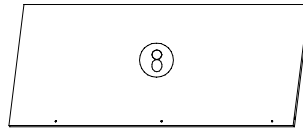
 111 610	L7 8x
 121 375	3,5 x 35 mm G14 8x

 112 402	K20 1x
--	------------------

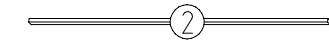
 112 403	K21 1x
---	------------------



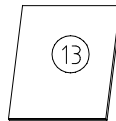
1317x560x15



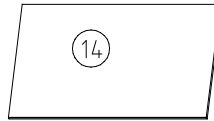
1317x560x15



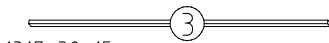
1317x32x15



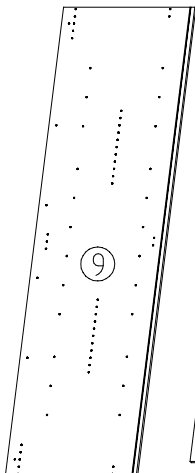
429x500x18



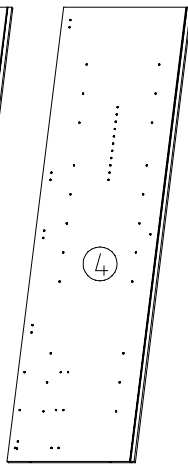
873x500x18



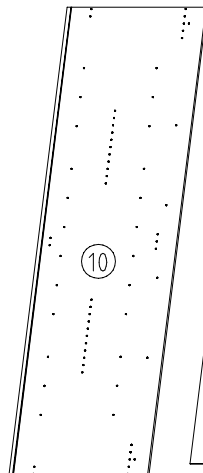
1317x32x15



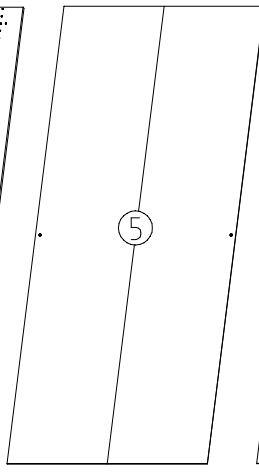
2064x577x15



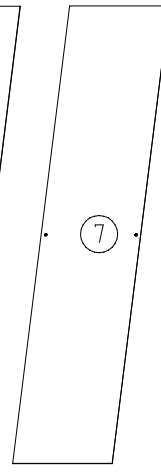
2001x560x15



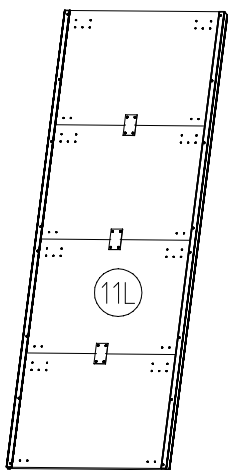
2064x607x15



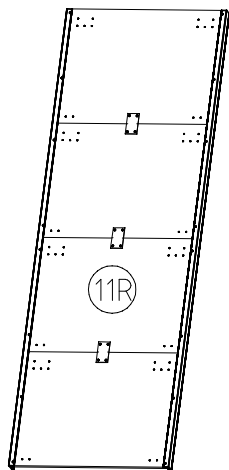
2015x882x2,5



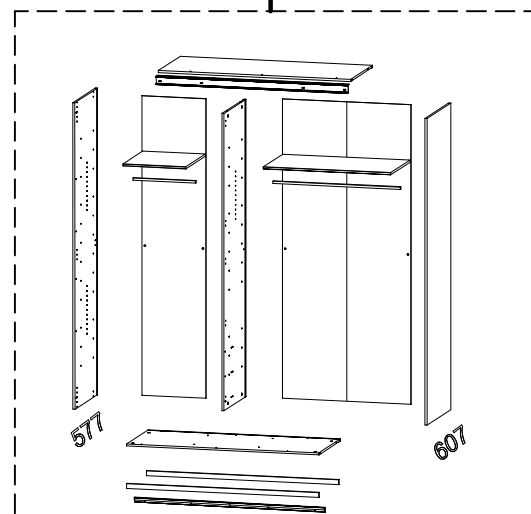
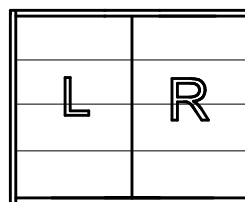
2015x438x2,5

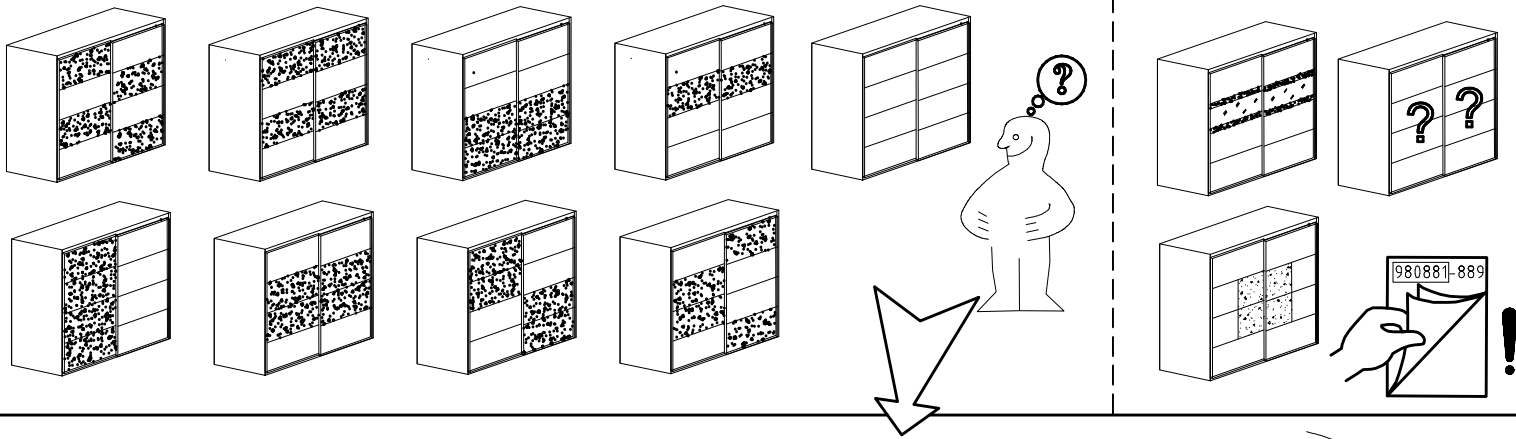


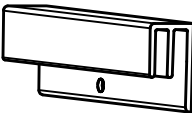
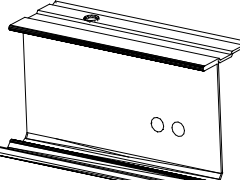
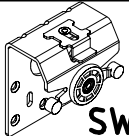


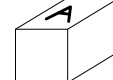
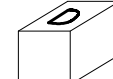
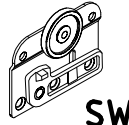
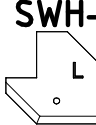


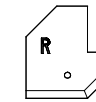
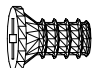
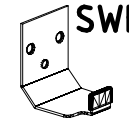
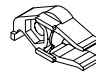
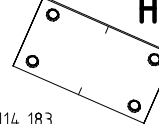
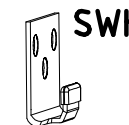
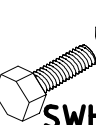
2018x694x15

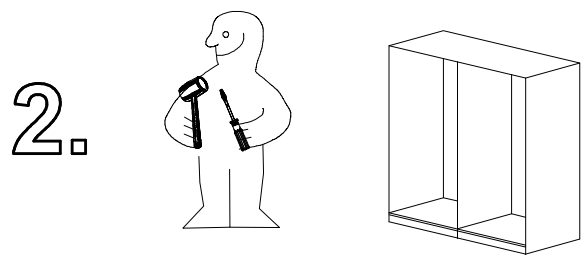
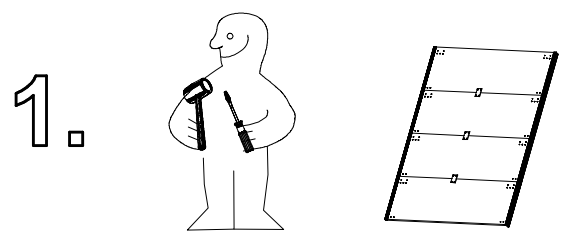
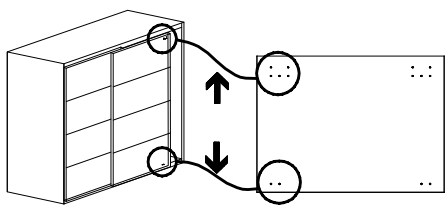
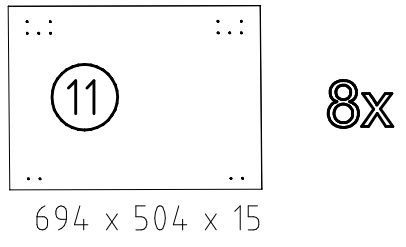
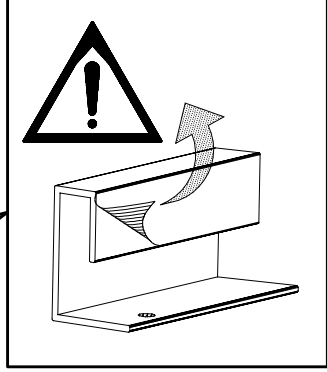
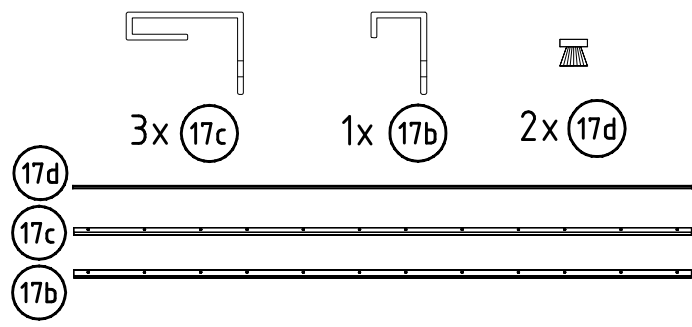


2018x694x15

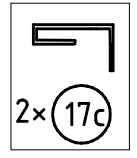
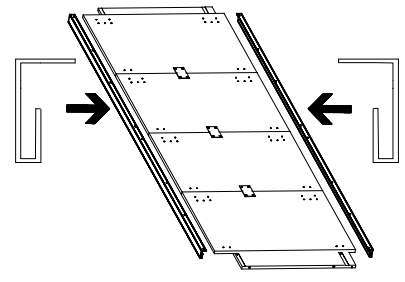
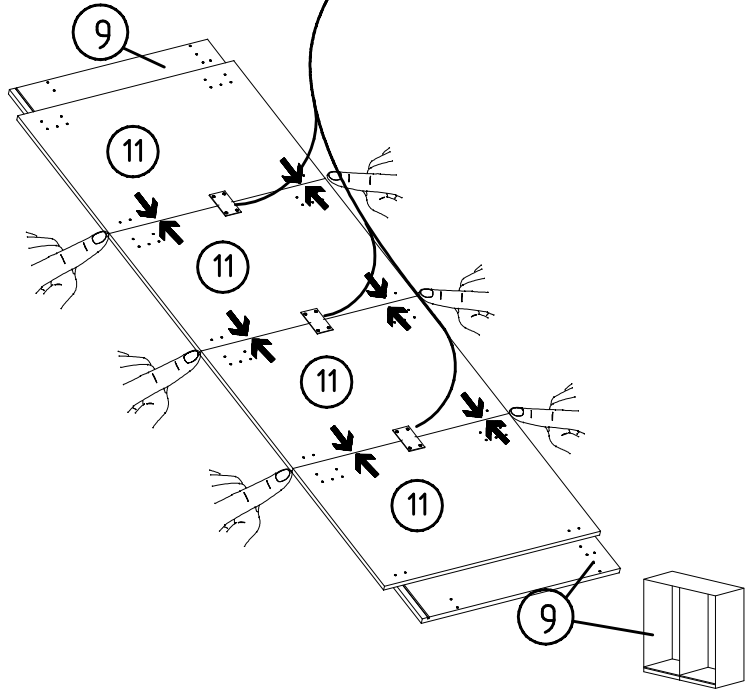
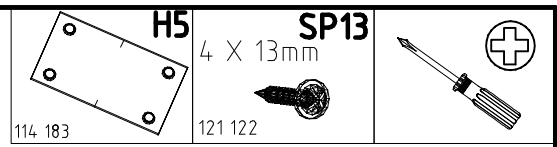
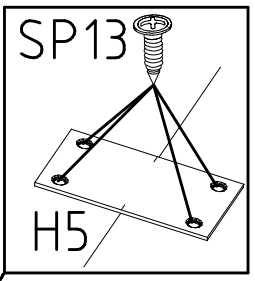
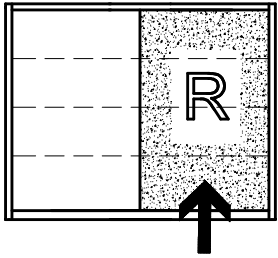




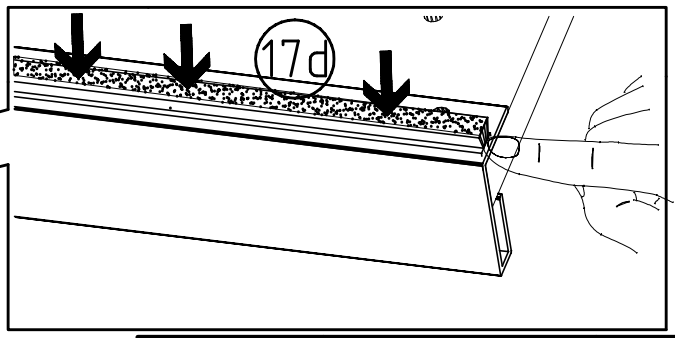
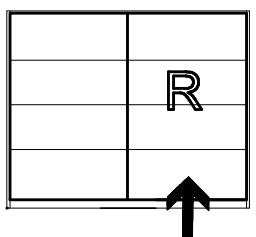
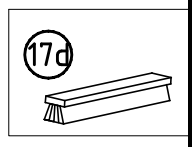
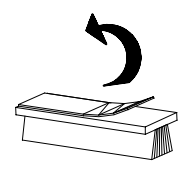
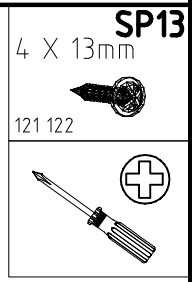
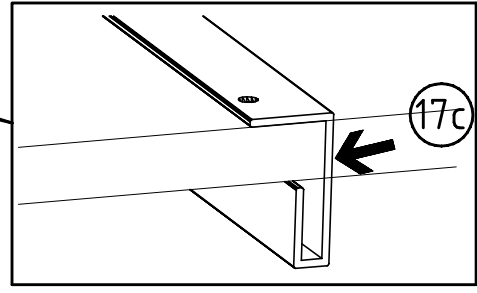
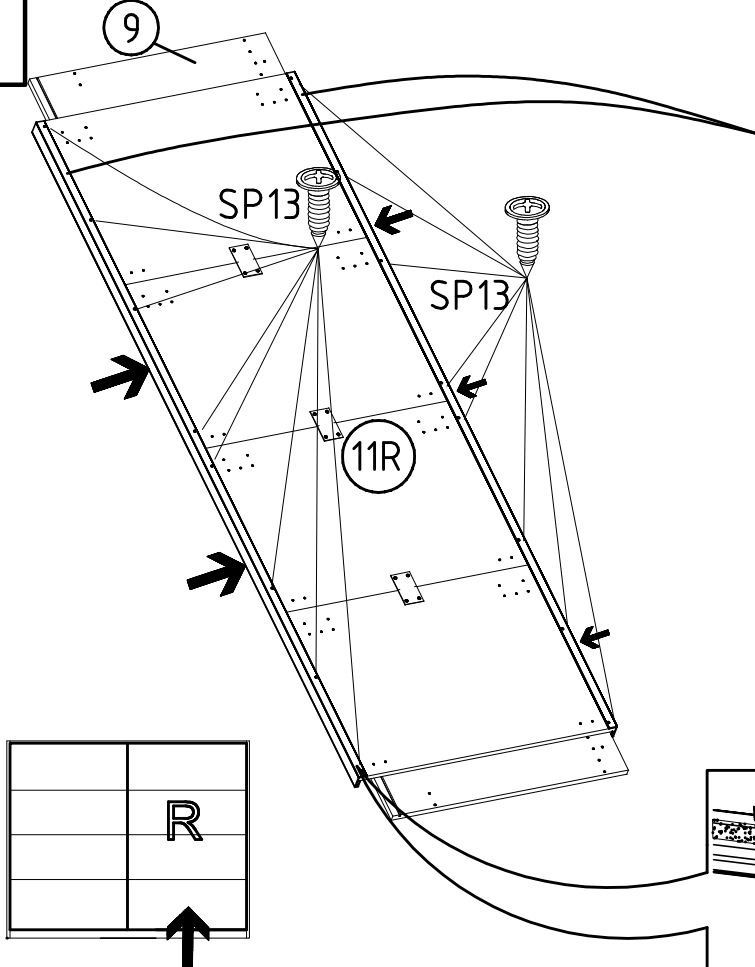
<p>1x FPN</p>  <p>1316/ 1760/2204/2648/3092</p> <p>1x LP</p>  <p>1316/ 1760/2204/2648/3092</p>	 <p>SWH1</p>	2x	 <p>SWH-D</p>	1x	 <p>SP13 4 X 13mm</p>	69x	 
	 <p>SWH2</p>	1x	 <p>SWH-SKL</p>	1x	 <p>G24 3,5 x 22 mm</p>	10x	
	 <p>SWH3</p>	1x	 <p>SWH-SKR</p>	1x	 <p>T2 M6,3 x 10,5 mm</p>	24x	
	 <p>SWH 6</p>	2x	 <p>SWH-ST</p>	2x	 <p>H5</p>	6x	
	 <p>SWH 7</p>	2x	 <p>SWH-MS</p>	2x	<p>121 122</p> <p>121 004</p> <p>111 030</p> <p>114 183</p>		



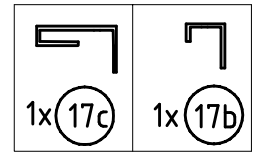
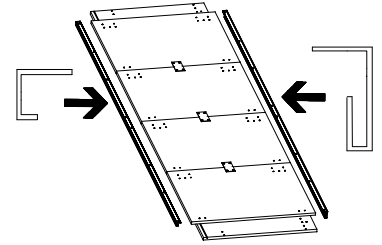
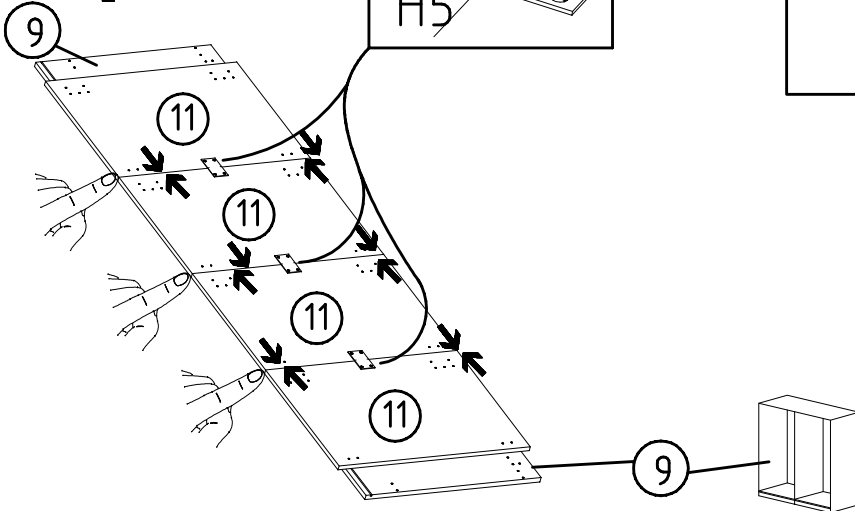
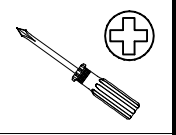
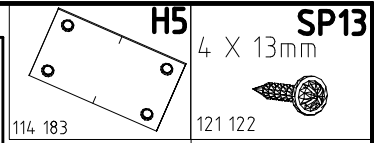
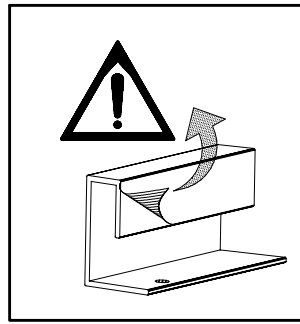
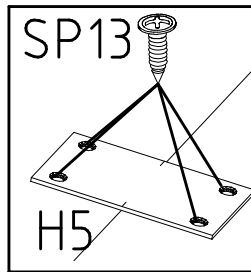
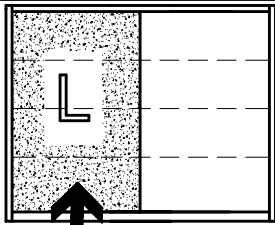
1



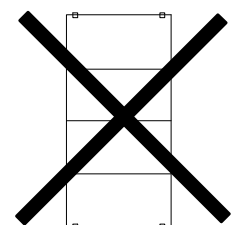
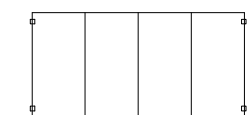
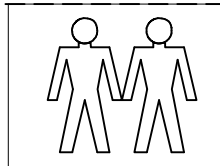
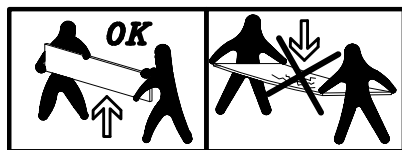
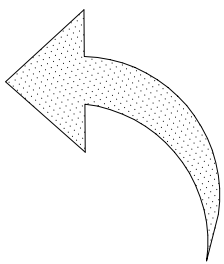
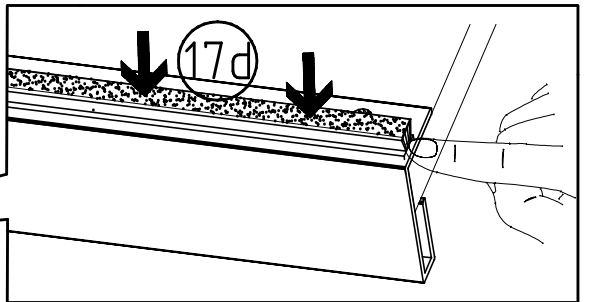
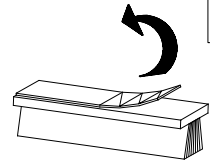
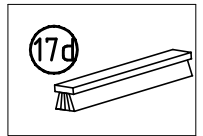
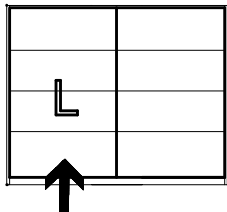
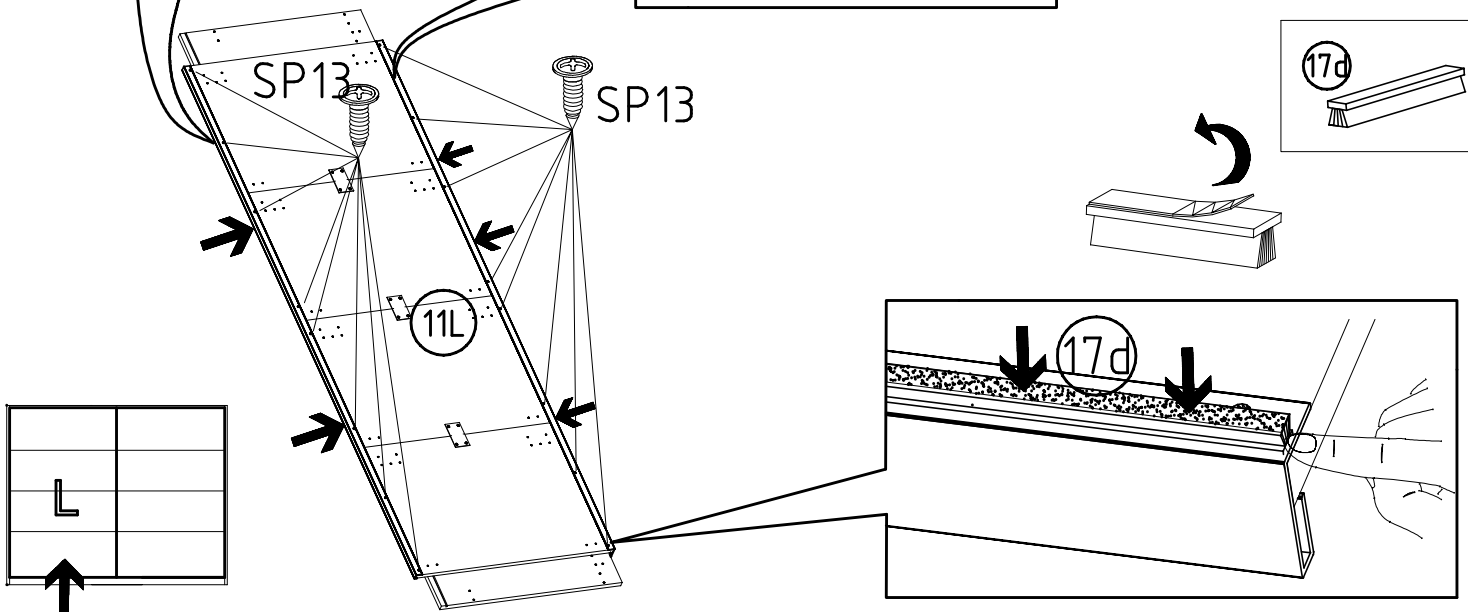
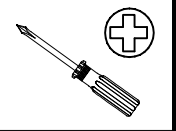
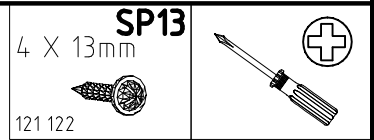
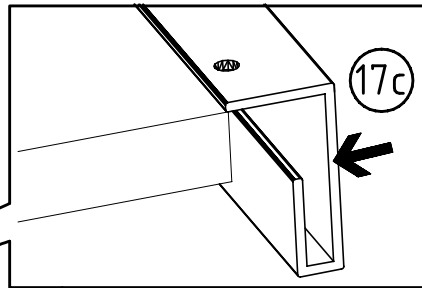
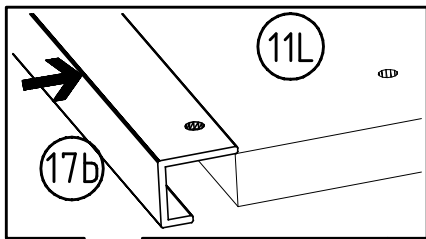
2



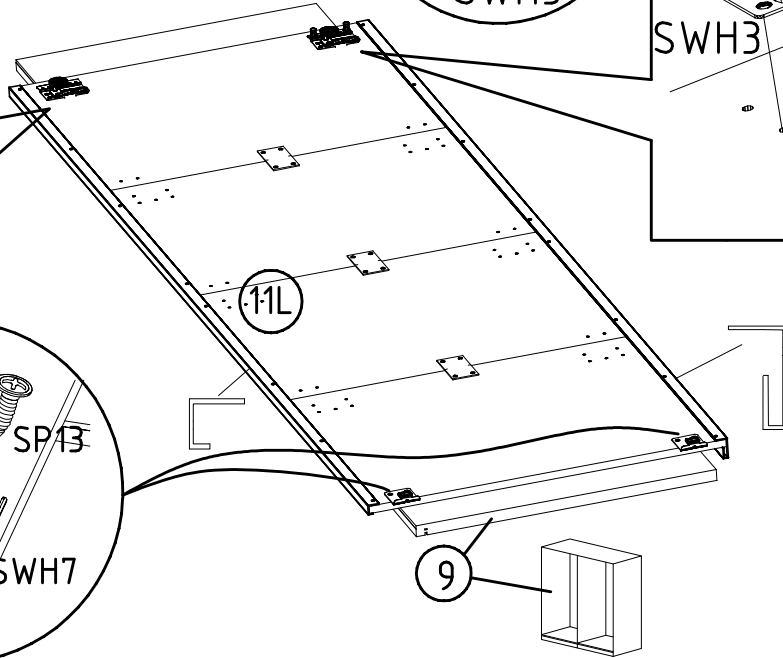
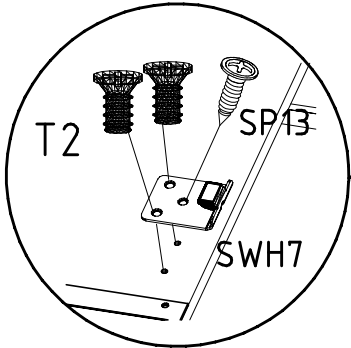
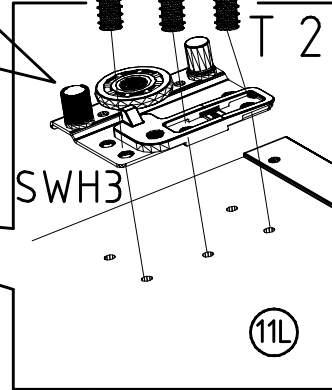
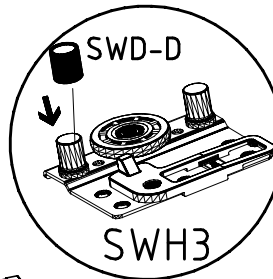
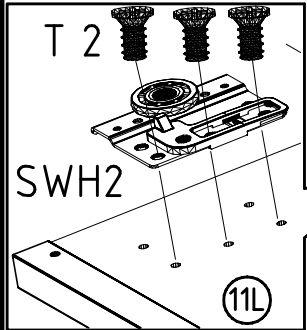
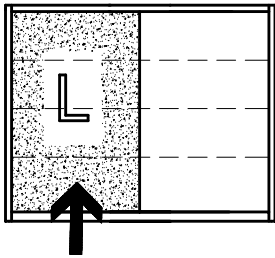
3



4

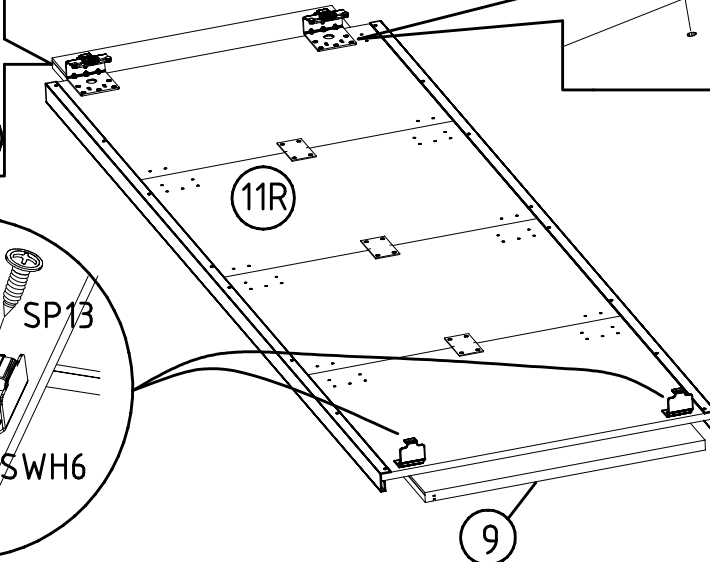
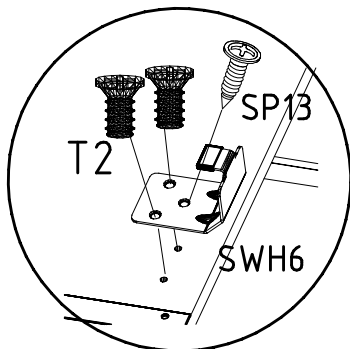
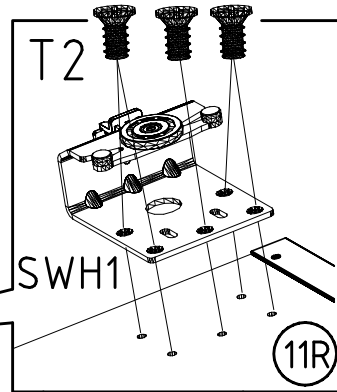
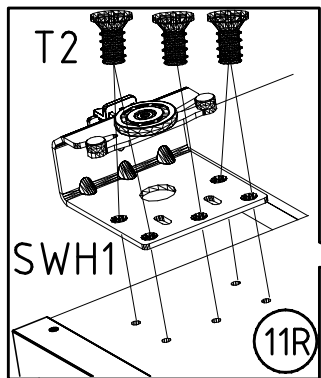
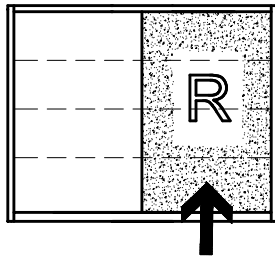


5

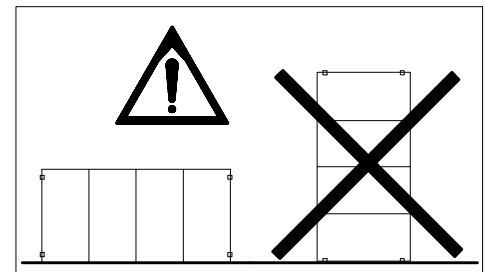


- SWH2
- SWH3
- SWH 7
- SWH-D
- M6,3 x 10,5 mm T2
- 111.030
- SP13
- 4 X 13mm
- 121 122
- +

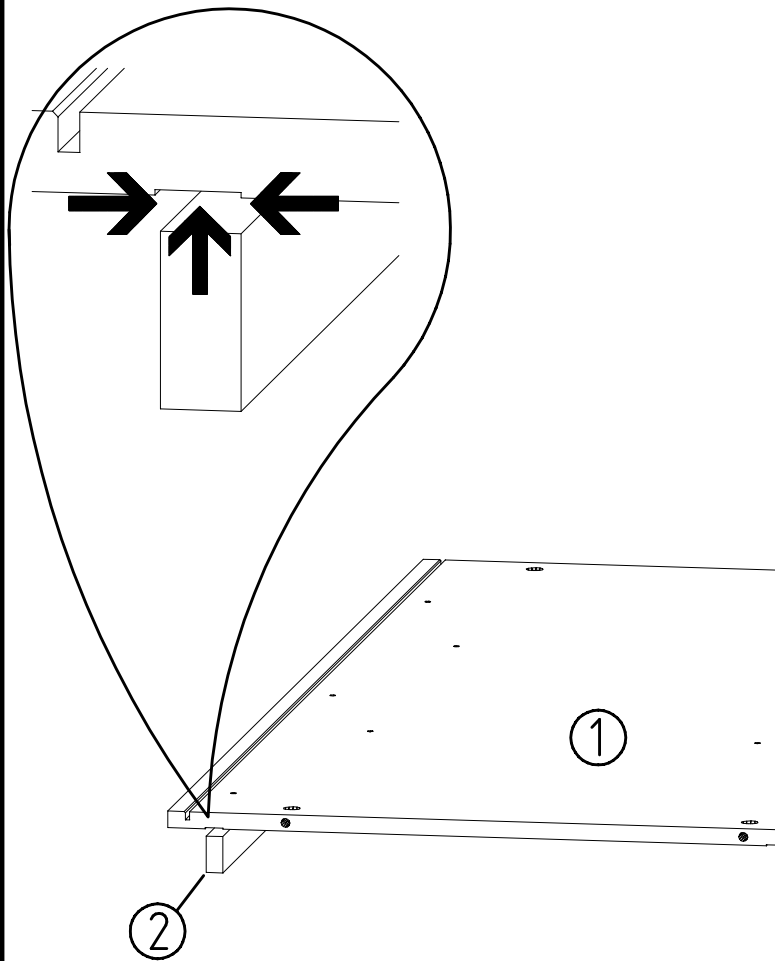
6



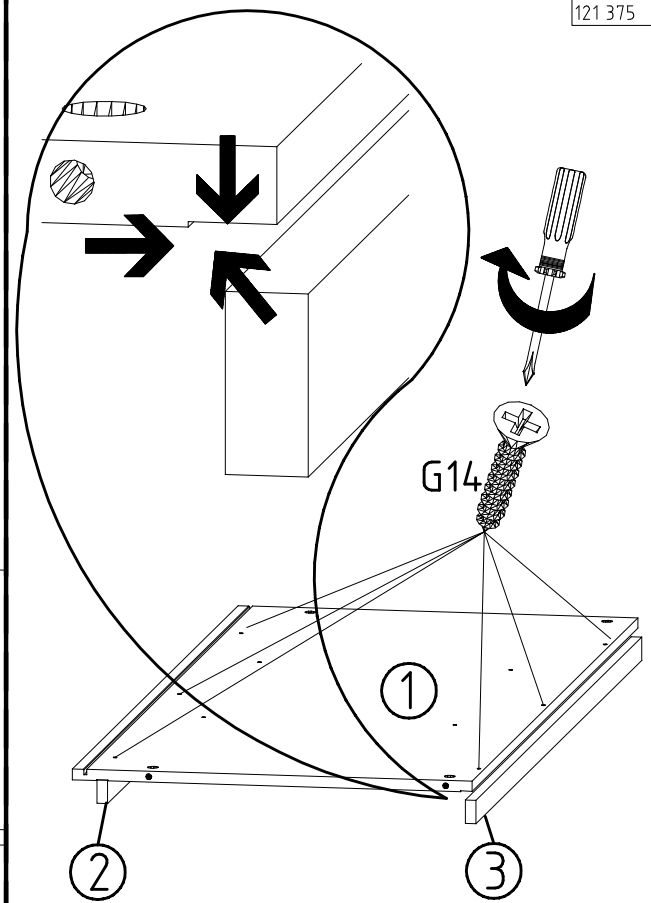
- SWH1
- SWH 6
- M6,3 x 10,5 mm T2
- 111.030
- SP13
- 4 X 13mm
- 121 122
- +



7



8



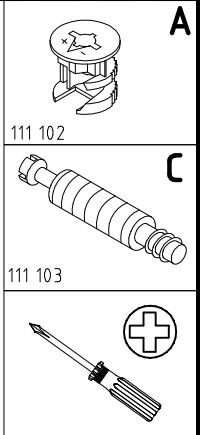
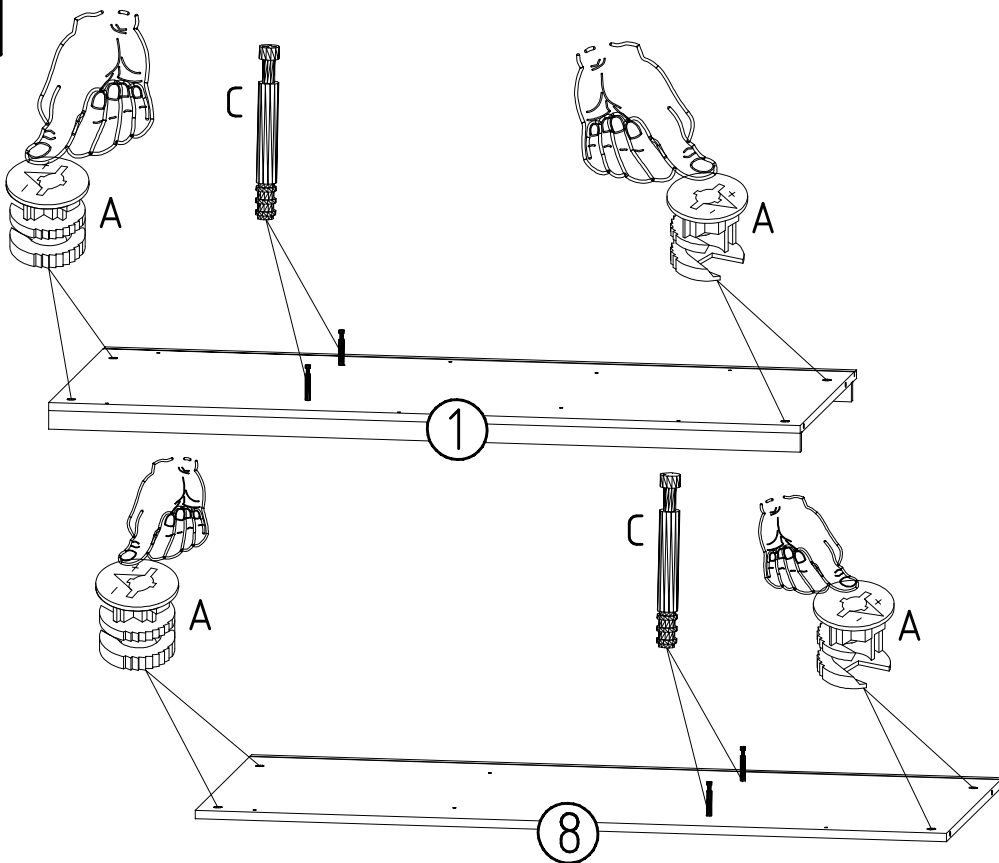
3,5 x 35 mm

G14



121 375

9



111 102

111 103

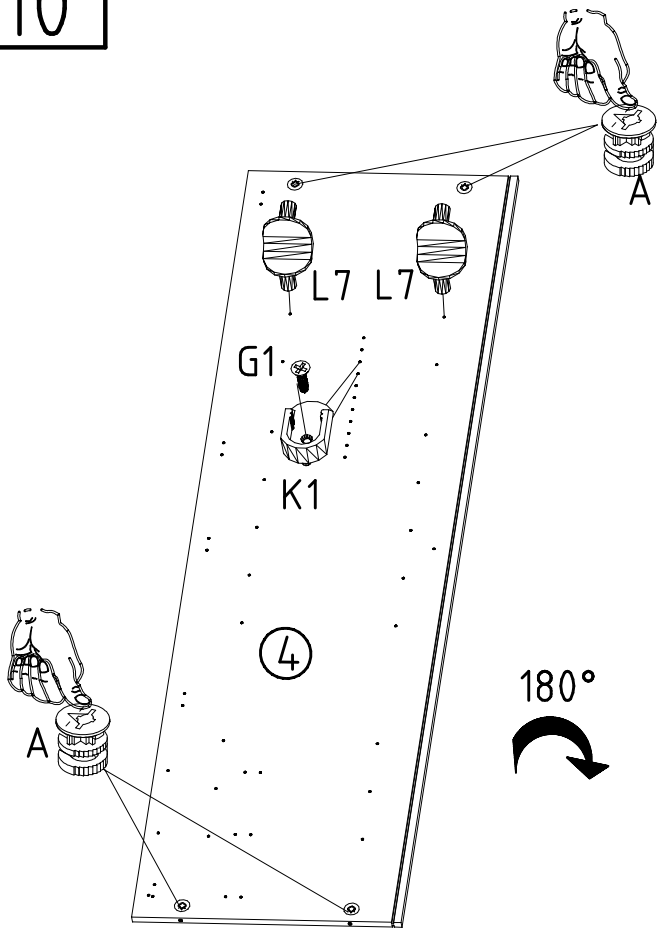
980865

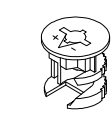
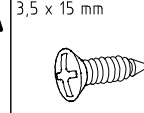
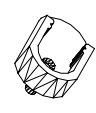
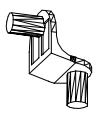
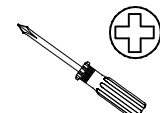
12.12.12 / -

12 12

7/15

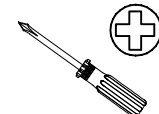
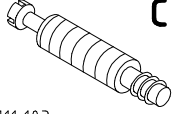



10

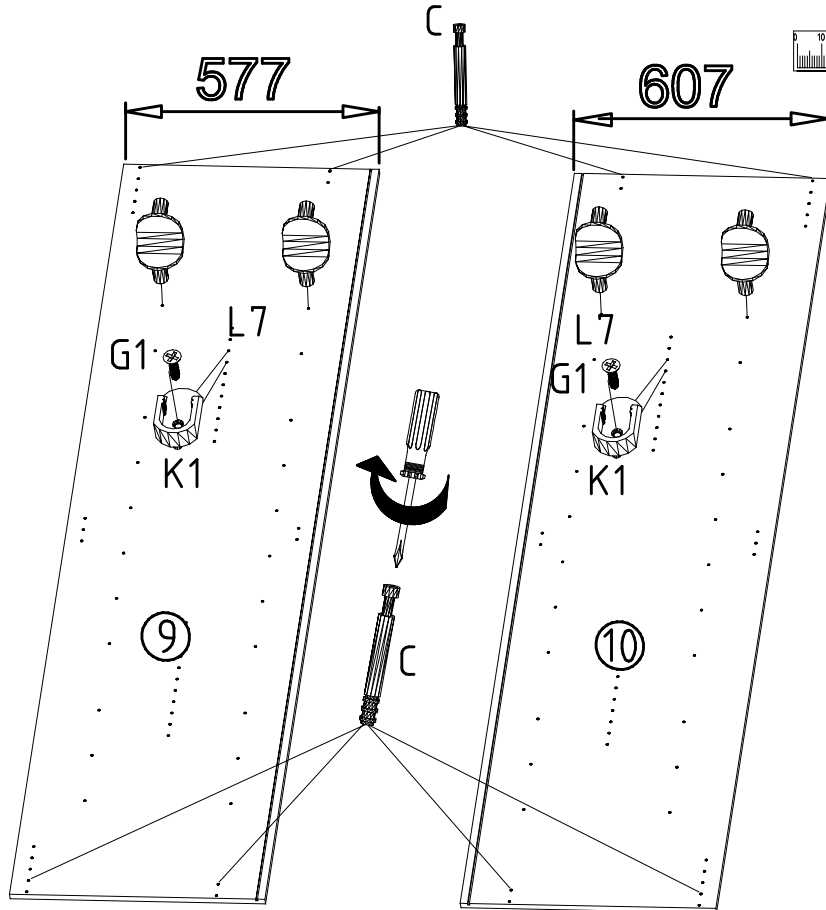


 111 102	A 3,5 x 15 mm  121 370	G1  117 001	K1  111 610	L7 
---	--	--	--	--

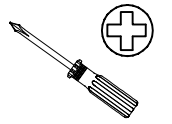
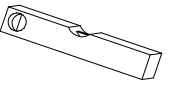
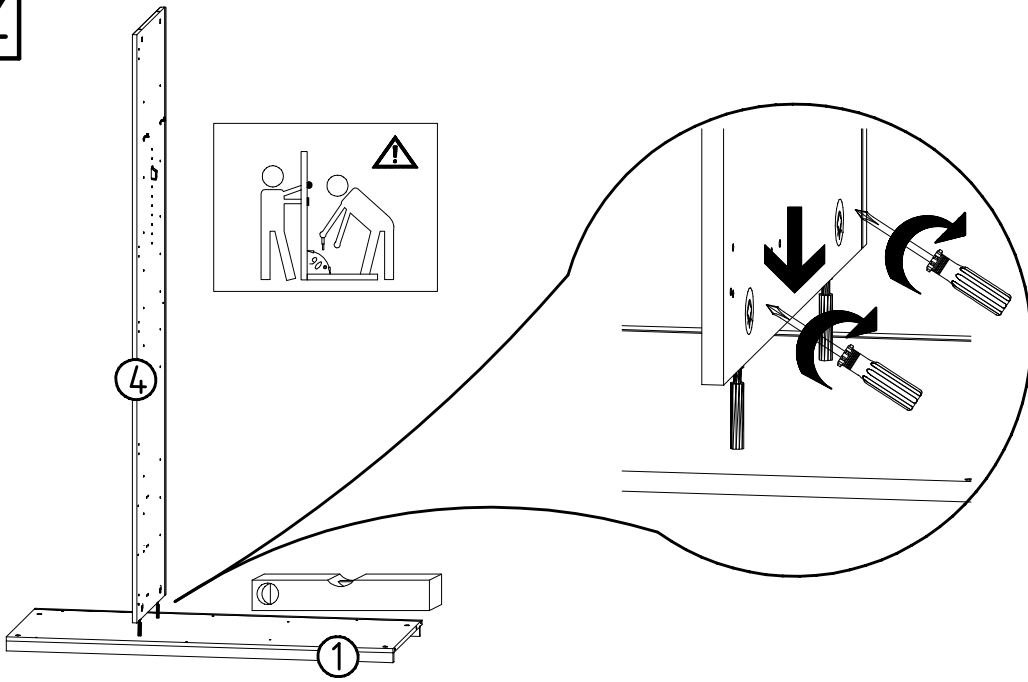
11



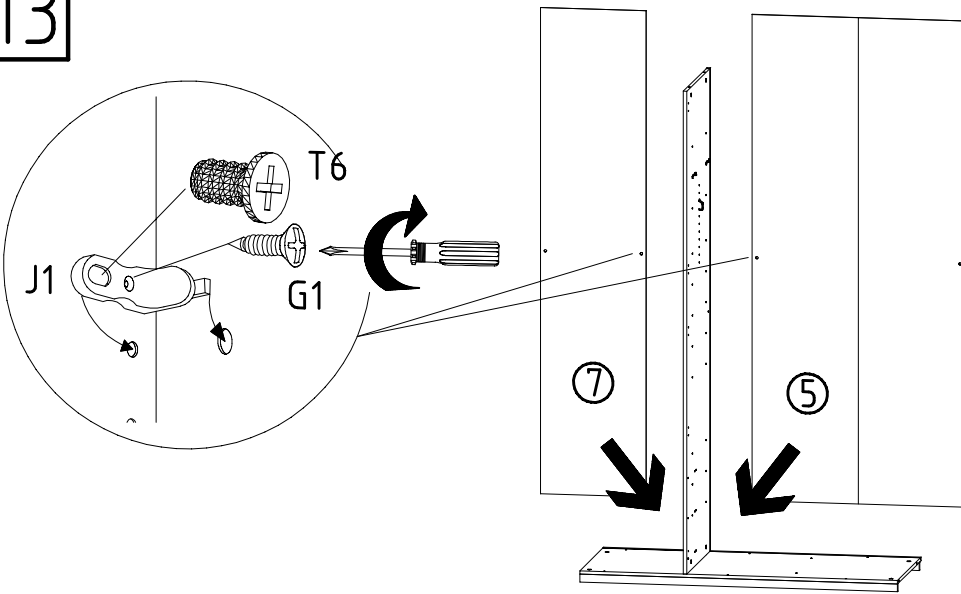
	C  111 103 3,5 x 15 mm
 121 370	G1
 117 001	K1
 111 610	L7



12



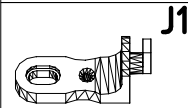
13



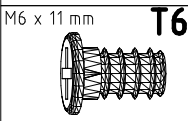
3,5 x 15 mm **G1**



121 370

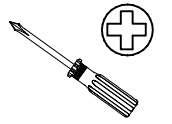


111 174

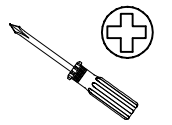
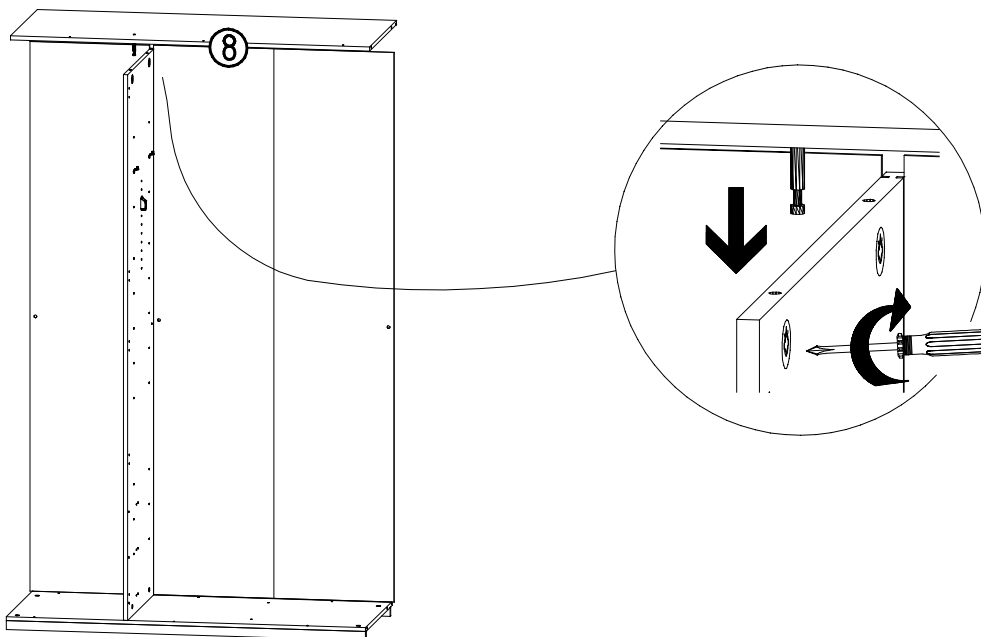


M6 x 11 mm

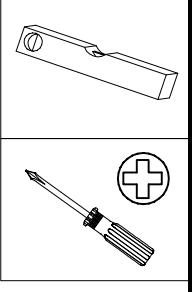
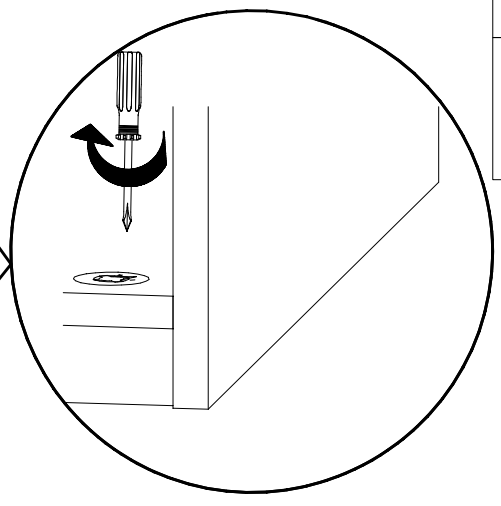
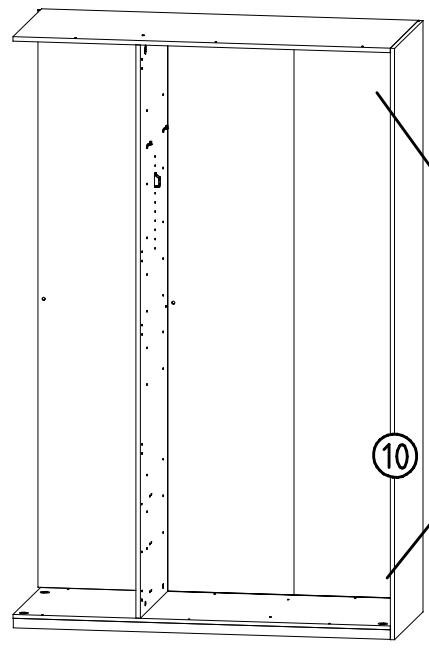
121 181



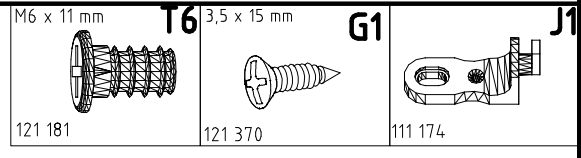
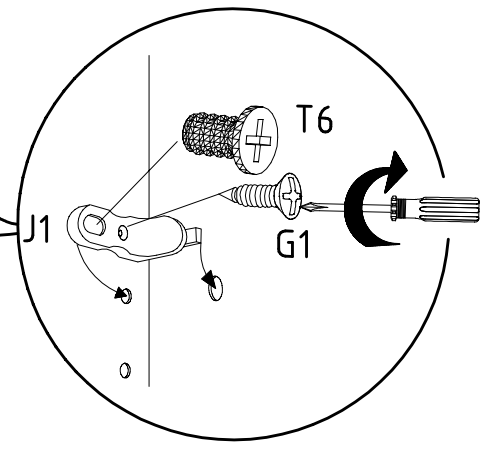
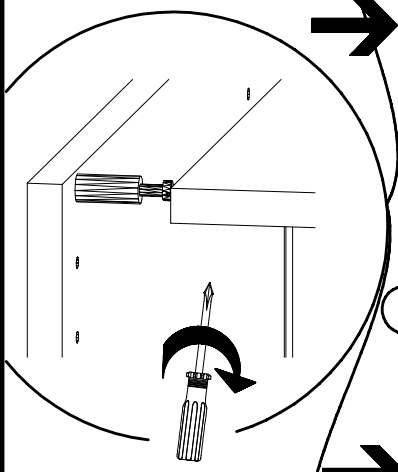
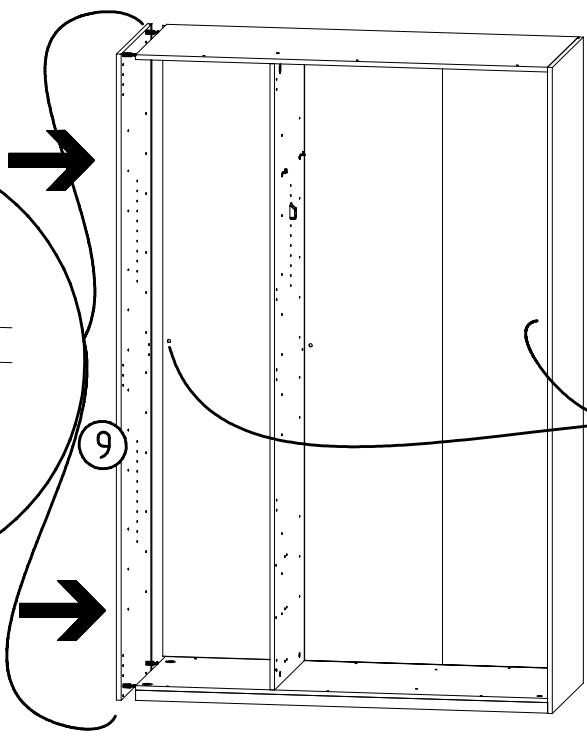
14



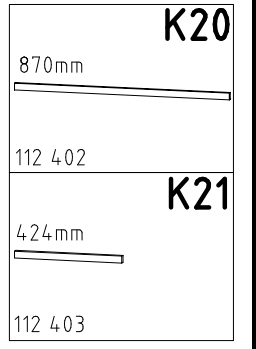
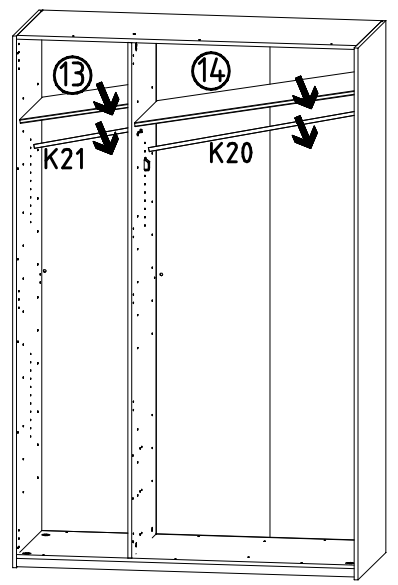
15



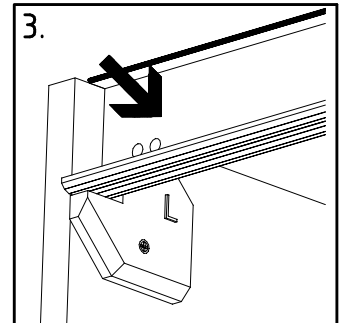
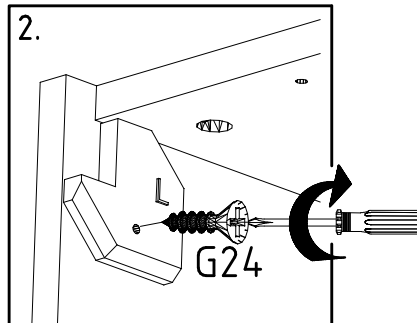
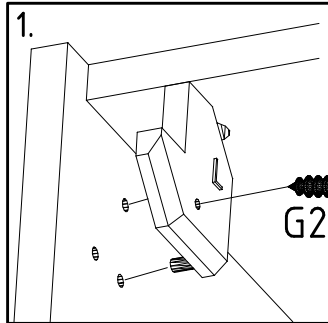
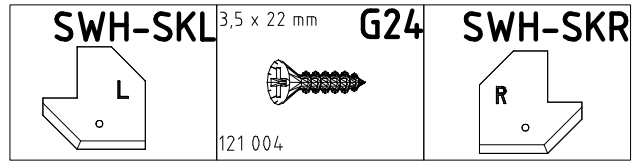
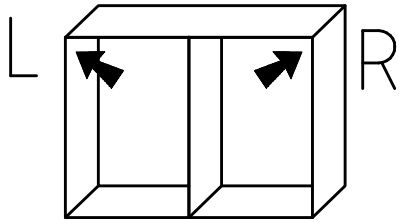
16



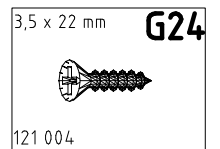
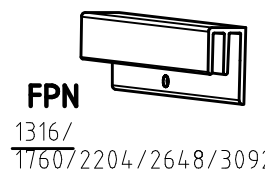
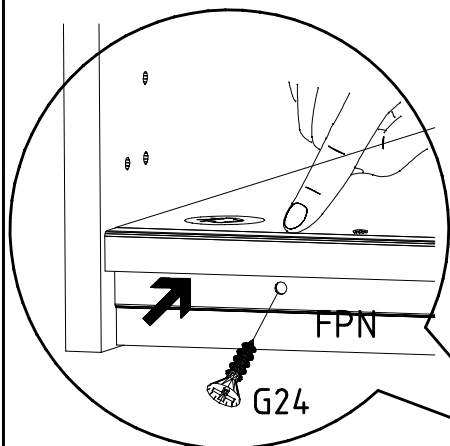
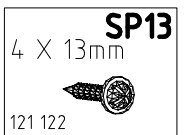
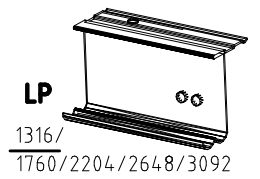
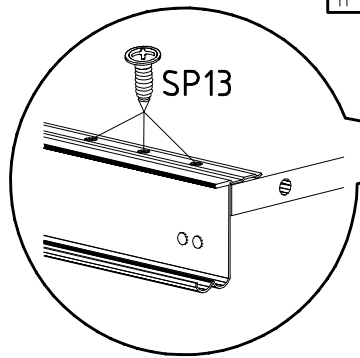
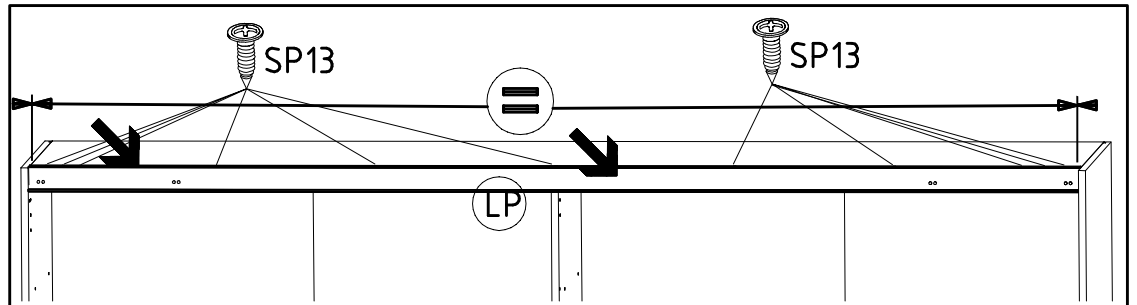
17



18



19



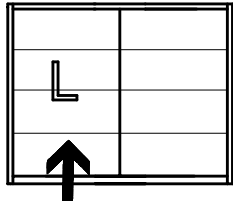
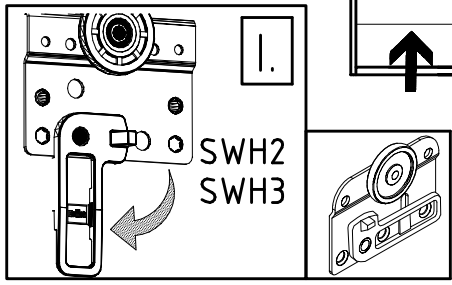
980864

12.12.12 / -

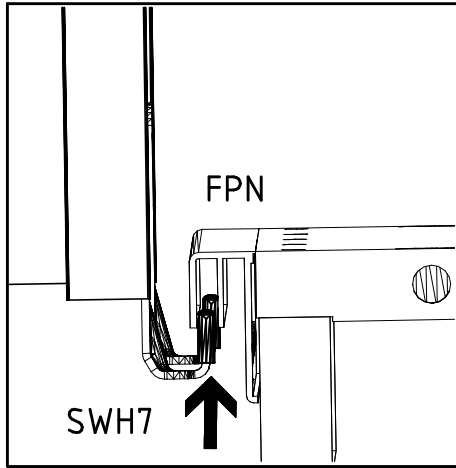
12 12

11/15

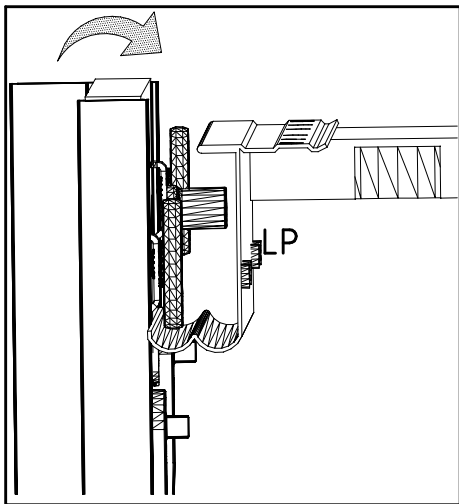
20



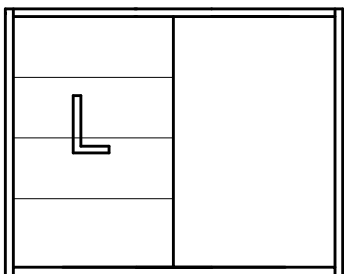
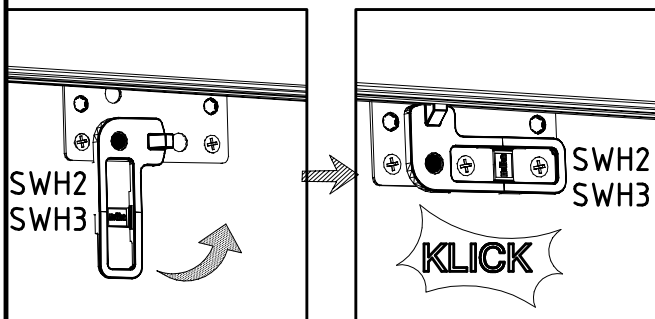
II.



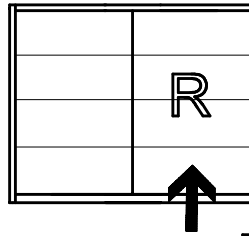
III.



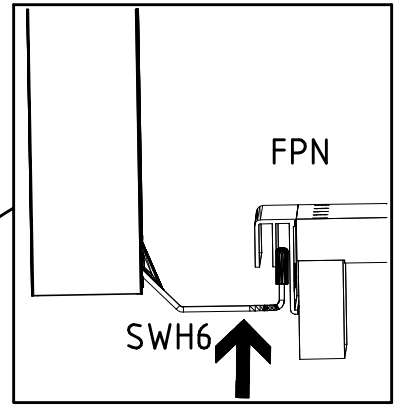
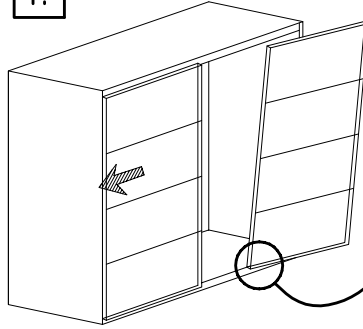
IV.



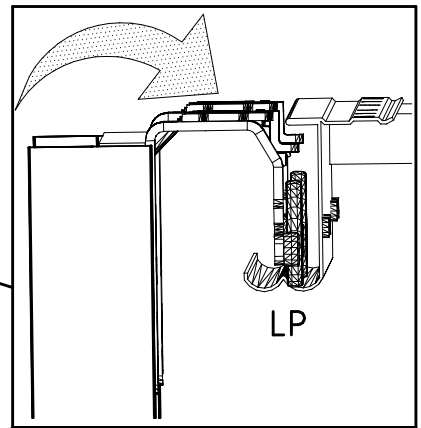
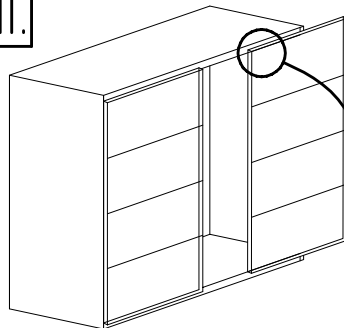
21



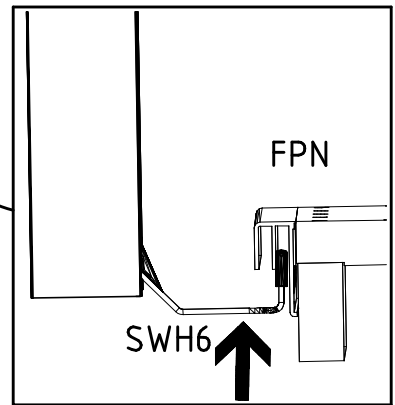
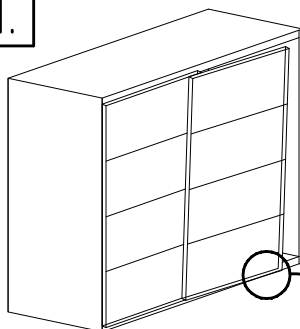
I.



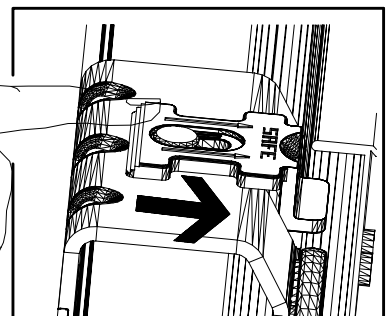
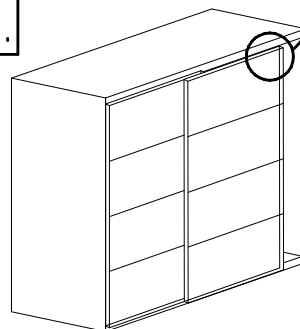
II.



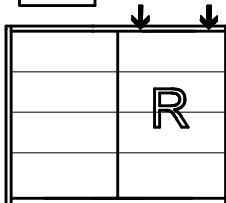
III.

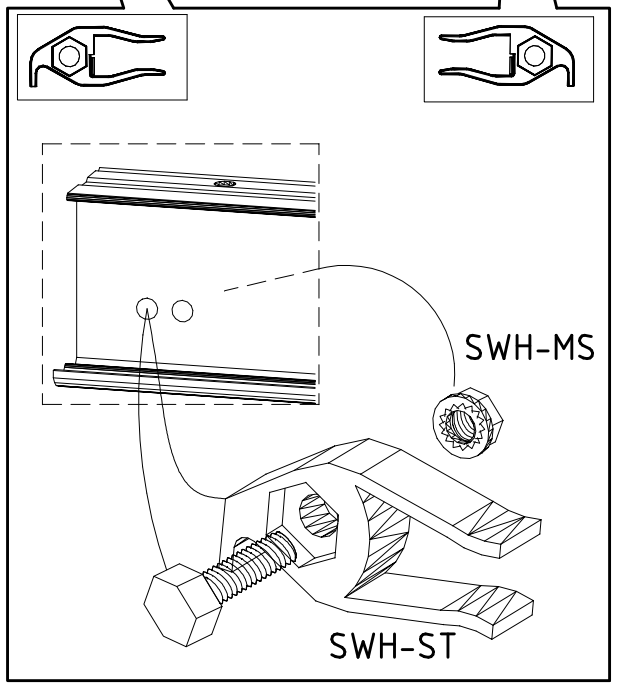
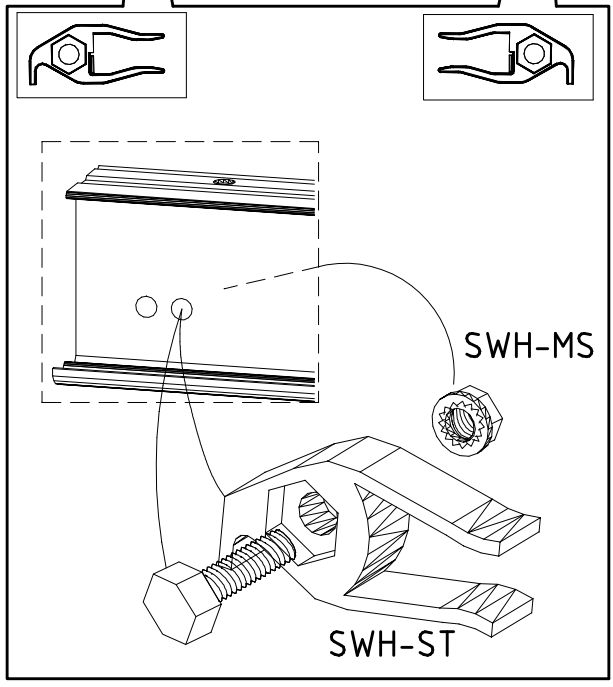
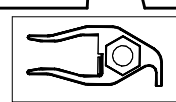
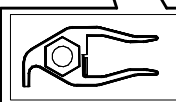
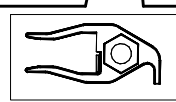
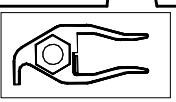
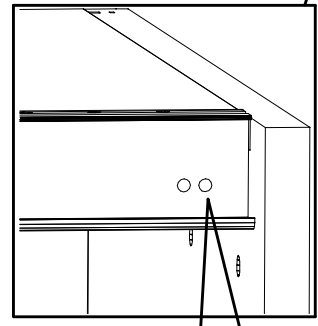
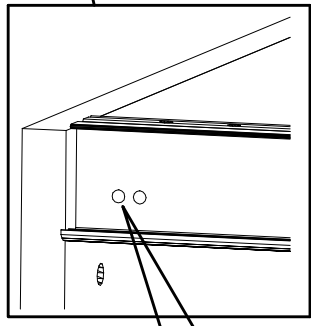
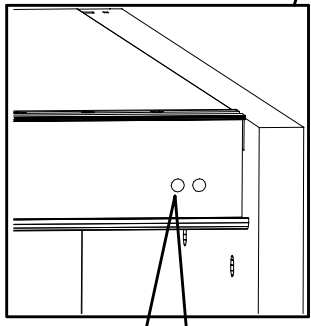
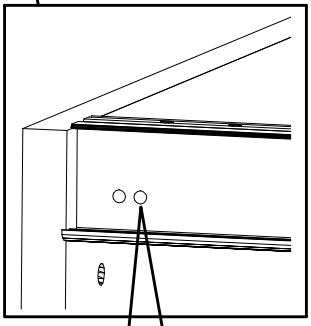
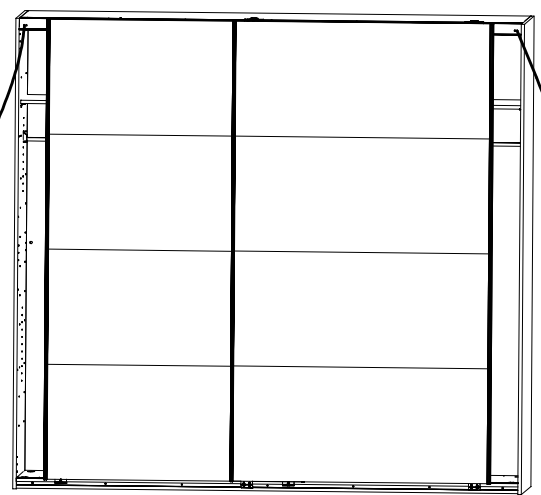
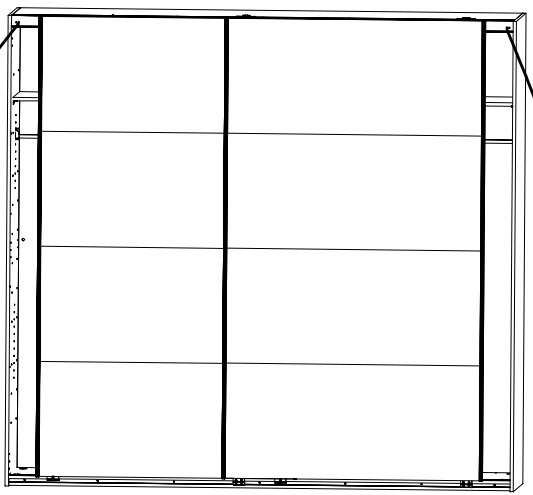
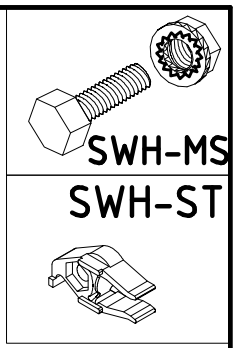
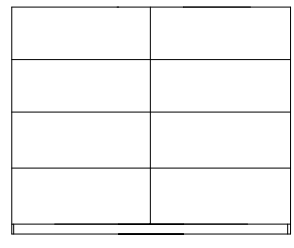
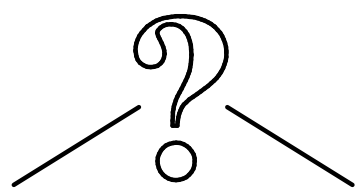
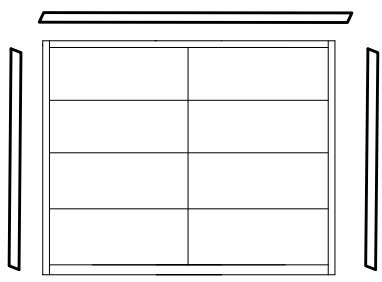


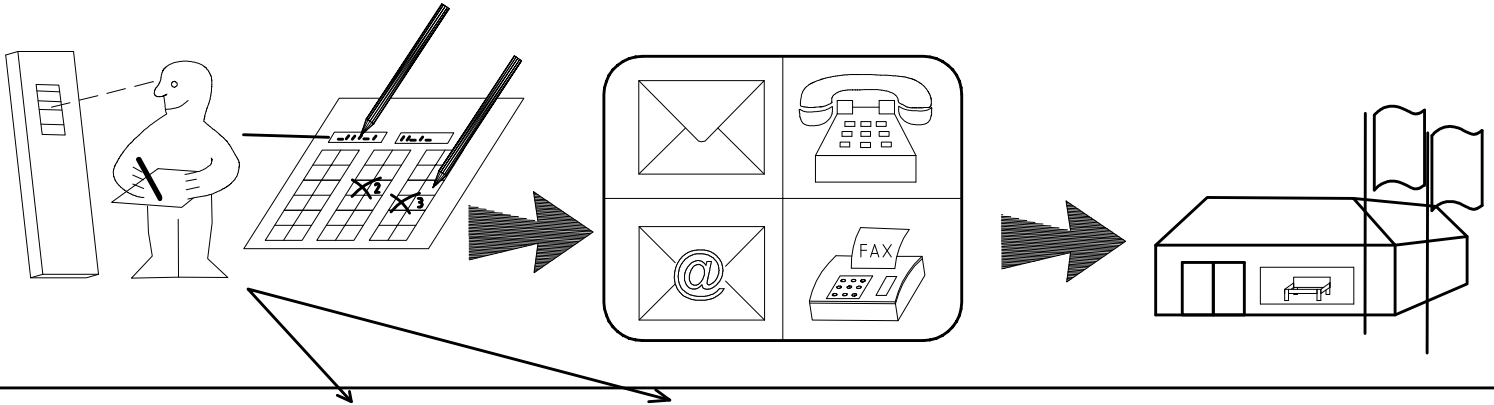
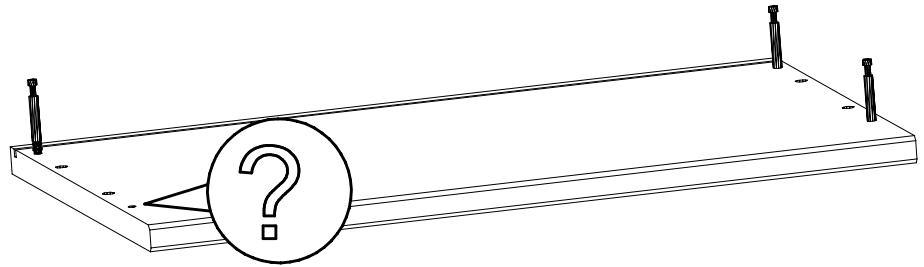
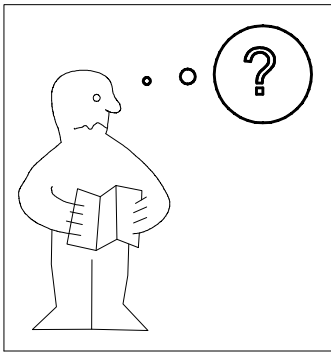
IV.



V.

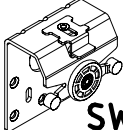

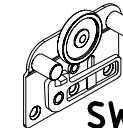
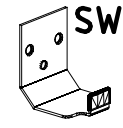
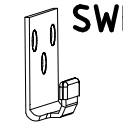




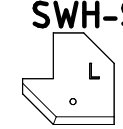
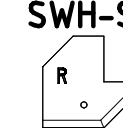
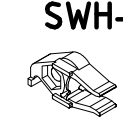
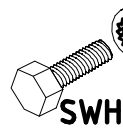
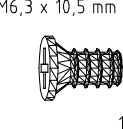


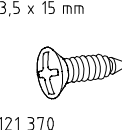
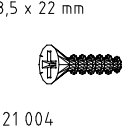


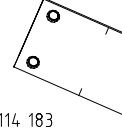
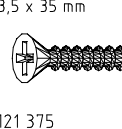



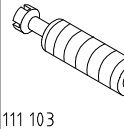
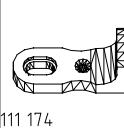
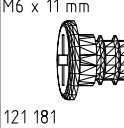
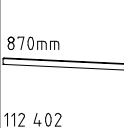
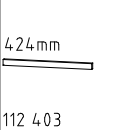
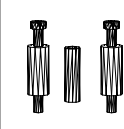
Auftrag/Order-No
No. de Commande

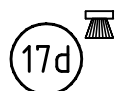
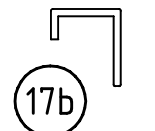
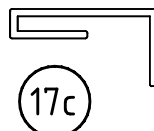
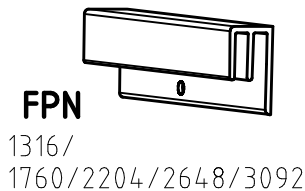
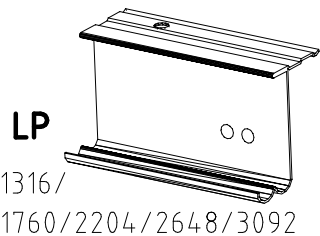
Kunde/Customer
Client

 SWH1	
 SWH2	
 SWH3	
 SWH 6	
 SWH 7	
 4 X 13mm SP13	

 SWH-D	
 SWH-SKL	
 SWH-SKR	
 SWH-ST	
 SWH-MS	
 M6,3 x 10,5 mm T2	

 3,5 x 15 mm G1	
 121 370 3,5 x 22 mm G24	
 121 004 A	
 111 102 L7	
 111 610 H5	
 114 183 3,5 x 35 mm G14	

 K1	
 117 001 C	
 111 103 J1	
 111 174 M6 x 11 mm T6	
 121 181 K20	
 870mm 112 402 K21	
 424mm 112 403 F3	



WIMEX Wohnbedarf / Import Export Handels GmbH / Postfach 14/07 / 49112 Georgsmarienhütte / Germany
 Tel.: (+49) 054-01 8598 16/17 Fax: (+49) 054-01 8598 33 Mail: info@wimex-wohnbefarf.de