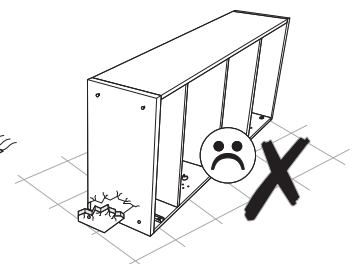
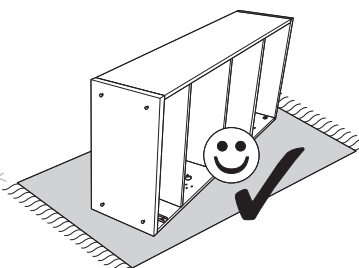
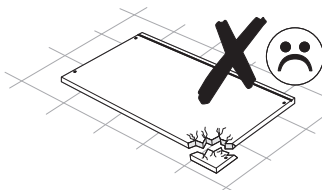
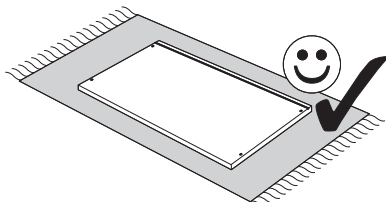
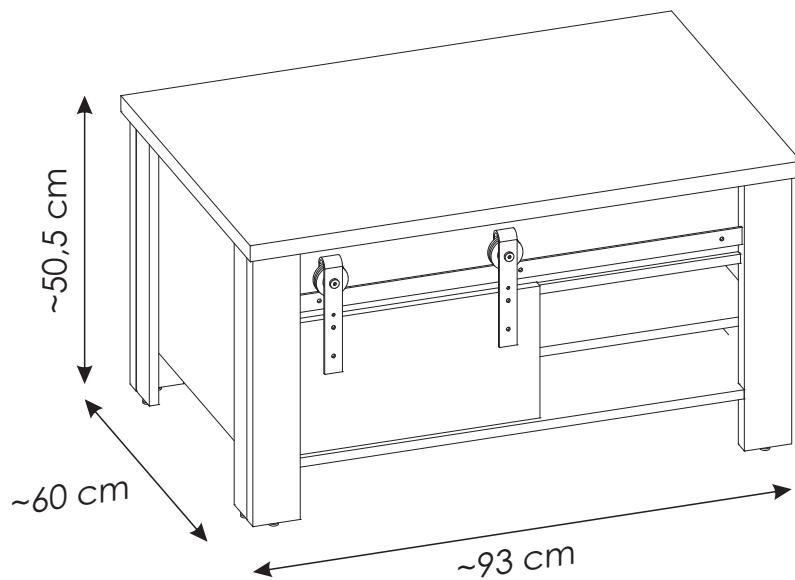
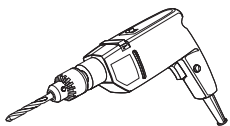
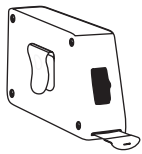
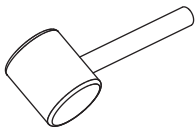
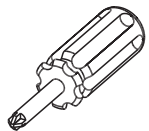
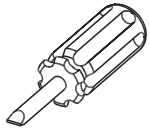
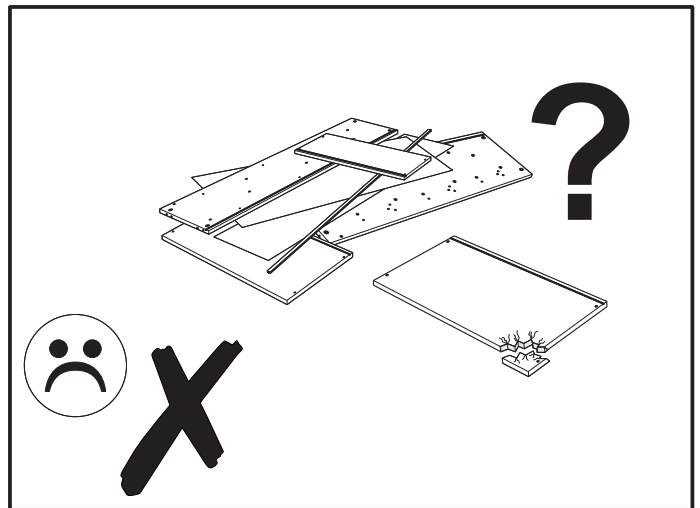
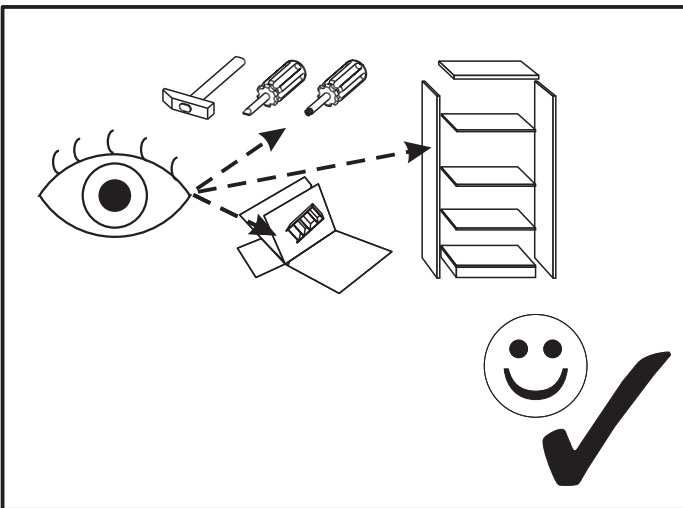
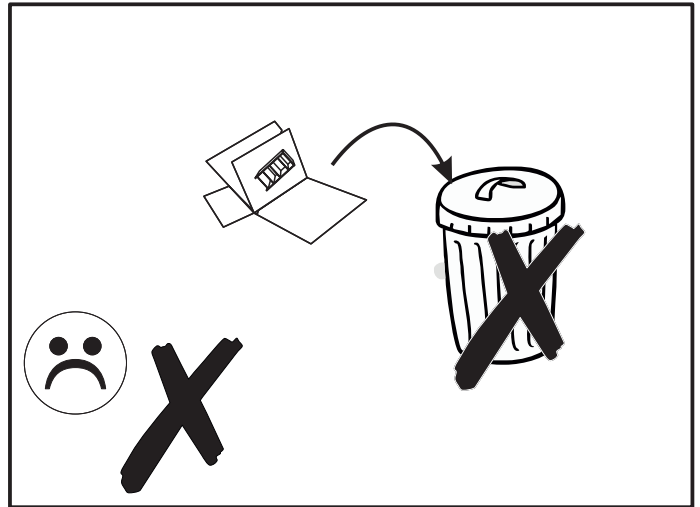
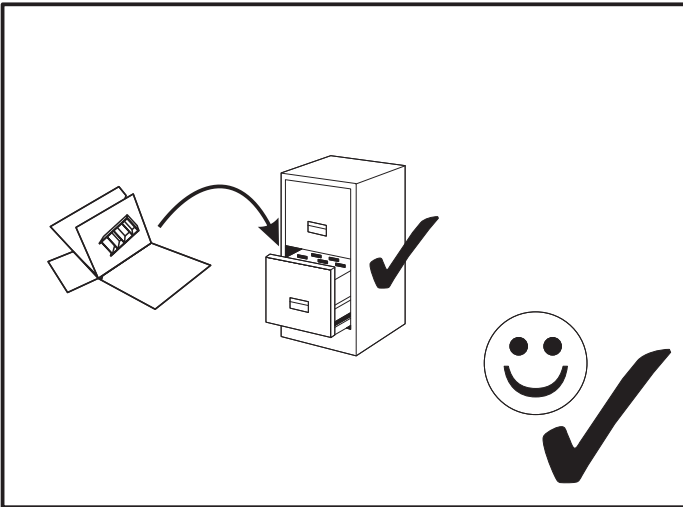
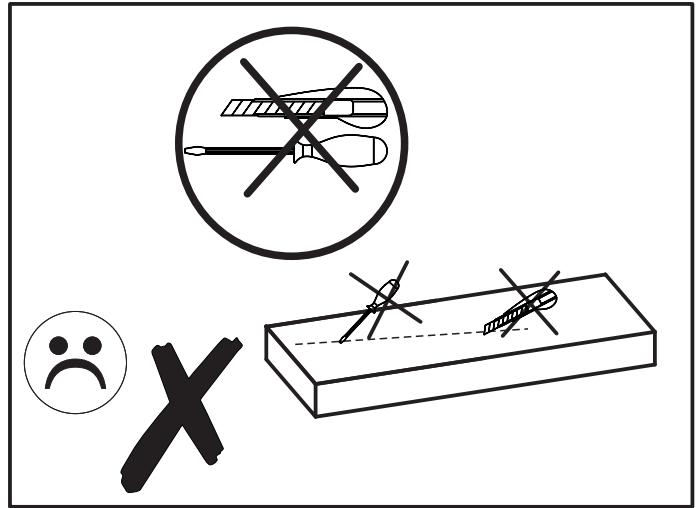
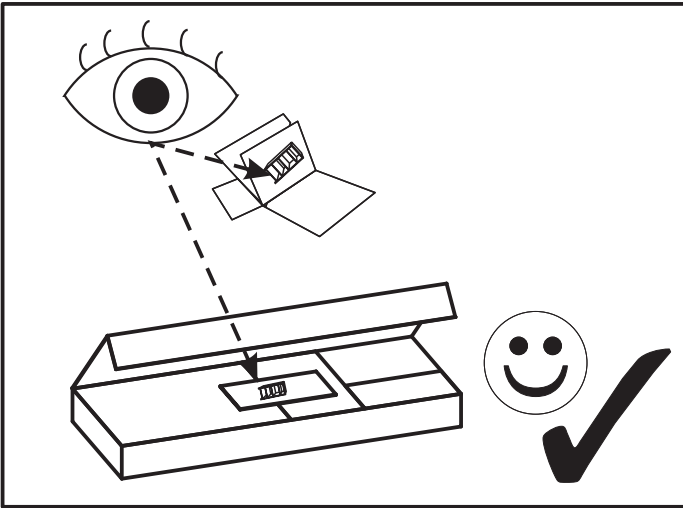


1YYASC62/1PPASC62

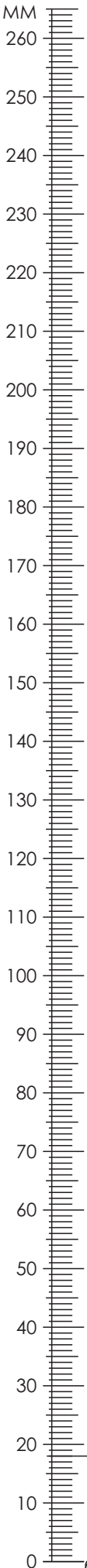



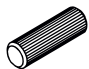
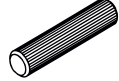

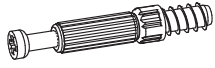

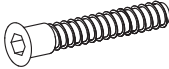
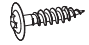
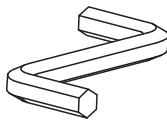
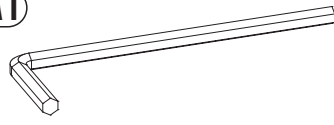



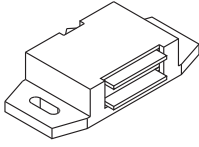
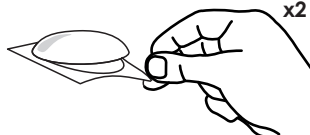

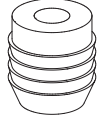
120 min



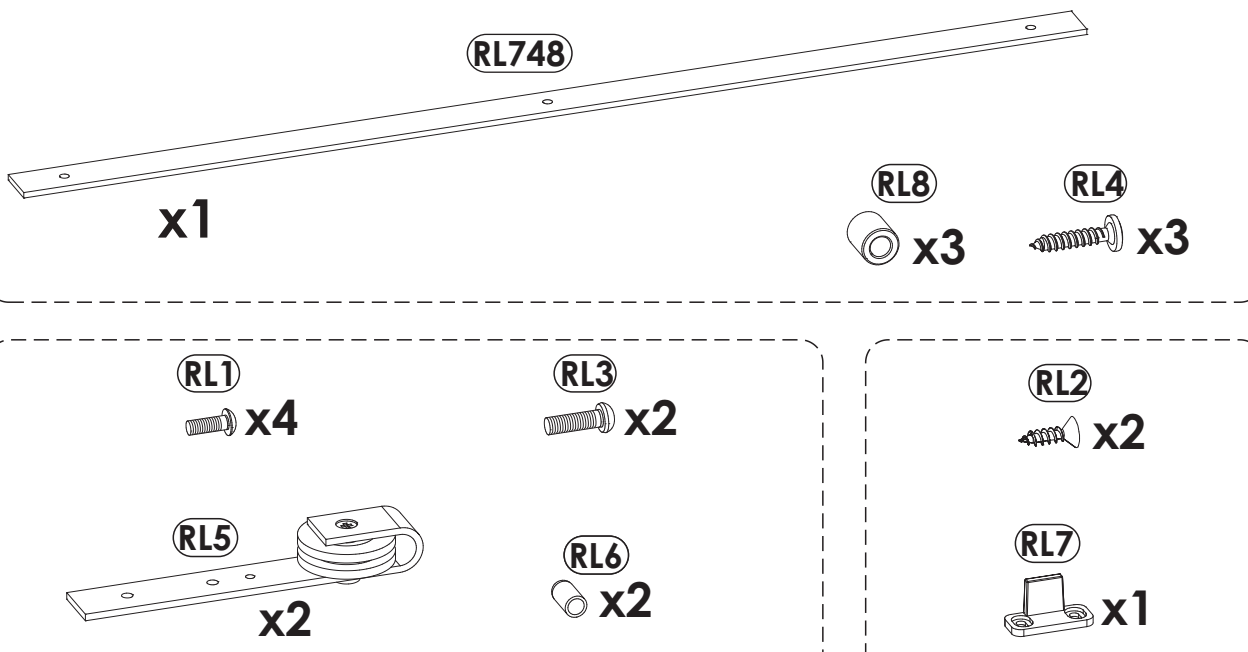


1YYASC62/1PPASC62



A0 8 x 20 mm x8 	A1 8 x 35 mm x65 	A3 8 x 60 mm x6 
E1 15 x 12 mm x44 	F1 6 x 34 mm x36 	F2 7 x 76 mm x4 
G1 7 x 50 mm x4 	I0 3 x 13 mm x2 	M x1 
M1 x1 	N1 3 x 16 mm x5 	N14 4 x 30 mm x8 
O2 x8 	Q1 x1 	R8 x2 
R10 x1 	S17 x4 	

BE SC 07 48 00
x1



RL748

x1

RL8 x3 **RL4** x3

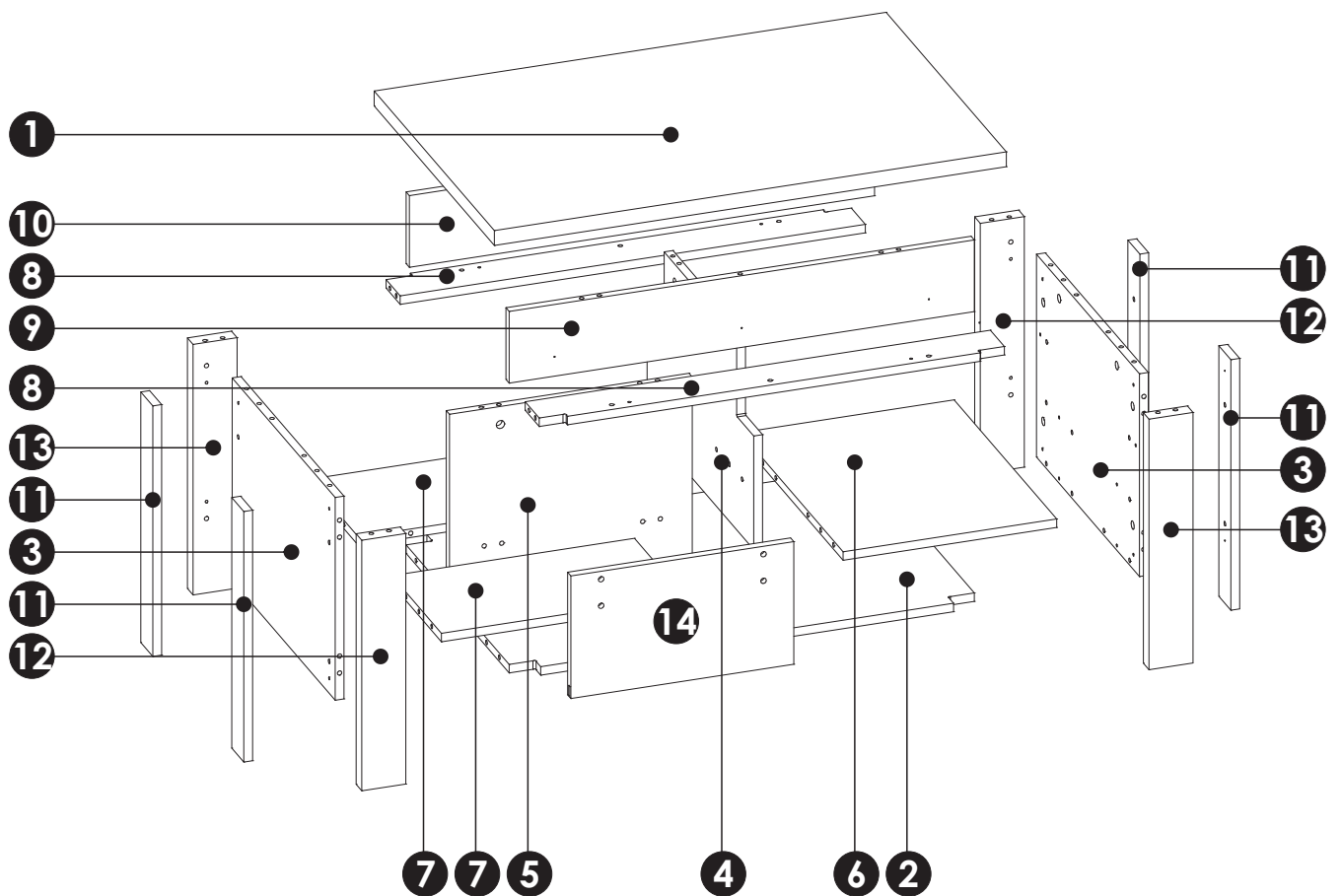
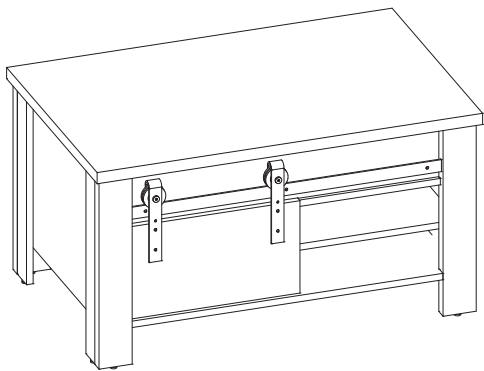
RL1 x4 **RL3** x2

RL5 x2 **RL6** x2

RL2 x2

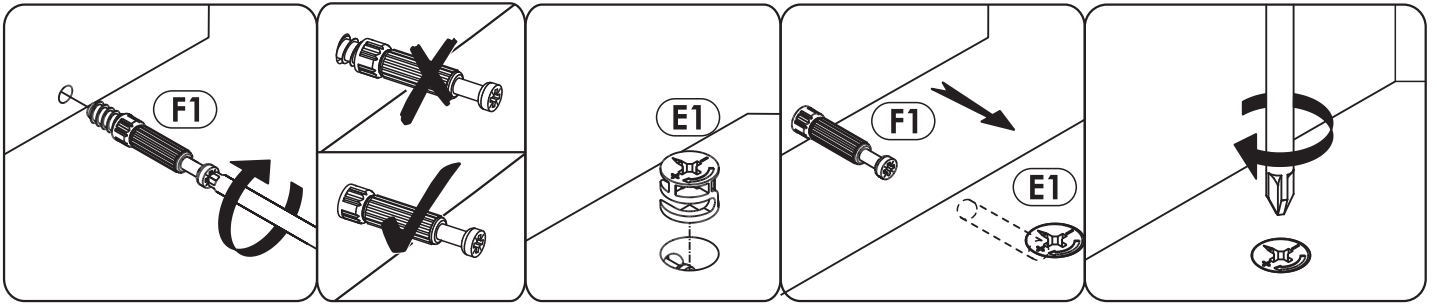
RL7 x1

1YYASC62/1PPASC62

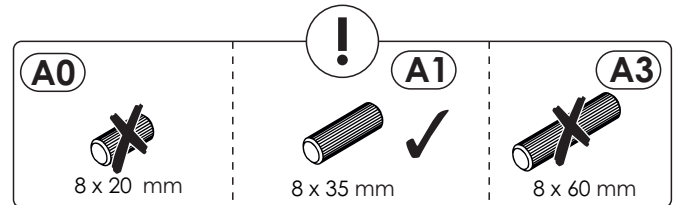
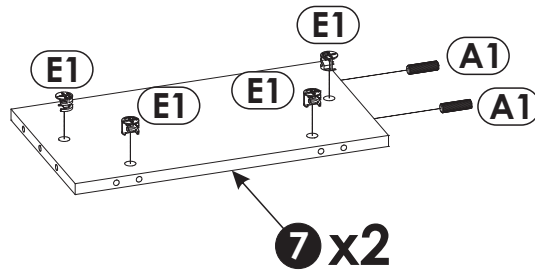
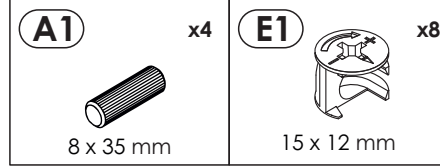
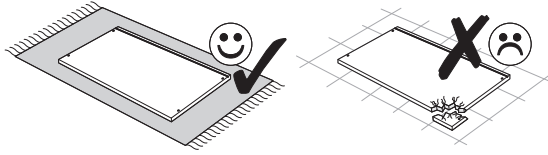


1	930	600	28	x1	2/2
2	845	568	16	x1	2/2
3	382	514	16	x2	1/2
4	365	530	16	x1	1/2
5	365	441	16	x1	1/2
6	388	512	16	x1	1/2
7	441	248	16	x2	1/2

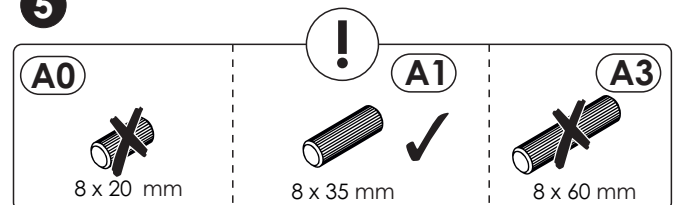
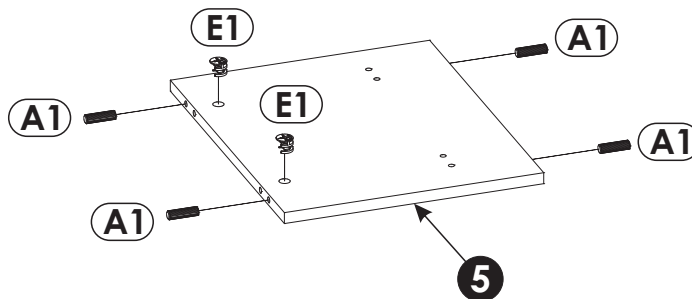
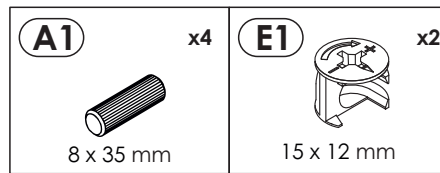
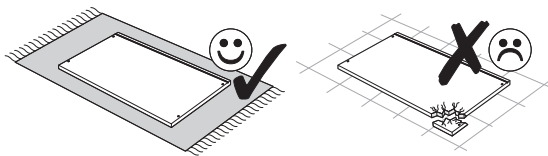
8	845	80	16	x2	2/2
9	845	135	16	x1	2/2
10	845	135	16	x1	2/2
11	472	60	16	x4	1/2
12	472	80	28	x2	1/2
13	472	80	28	x2	1/2
14	405	231	16	x1	1/2

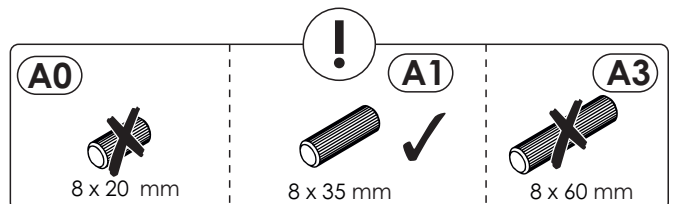
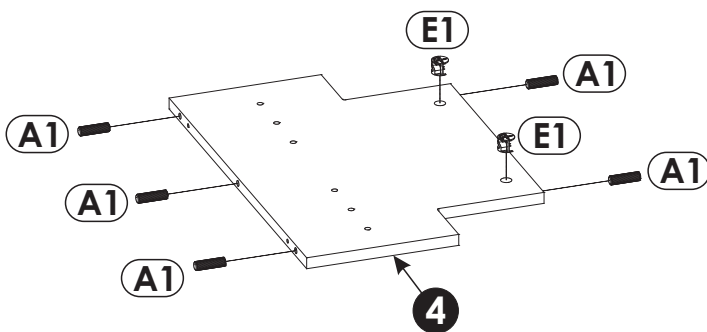
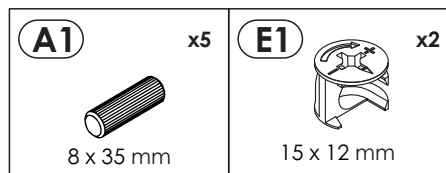
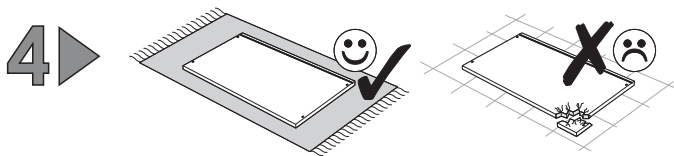
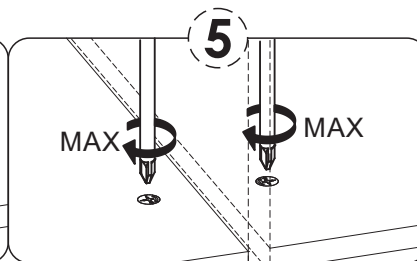
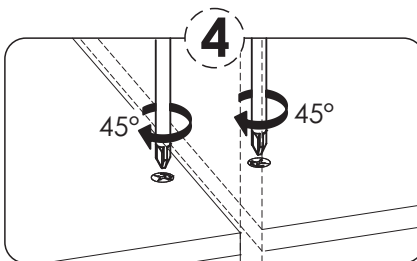
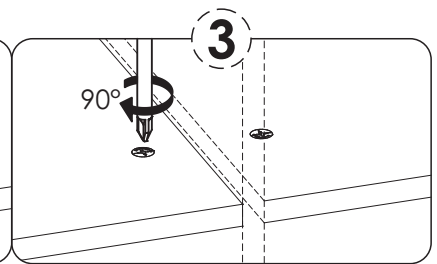
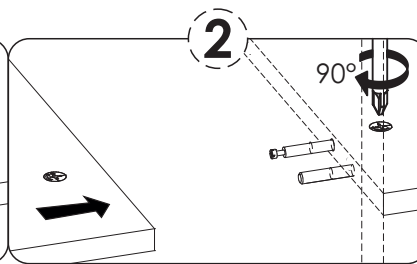
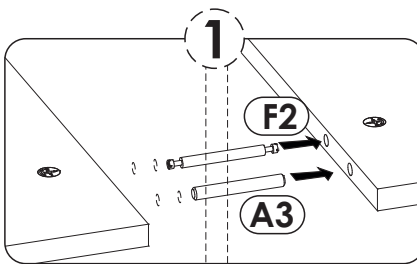
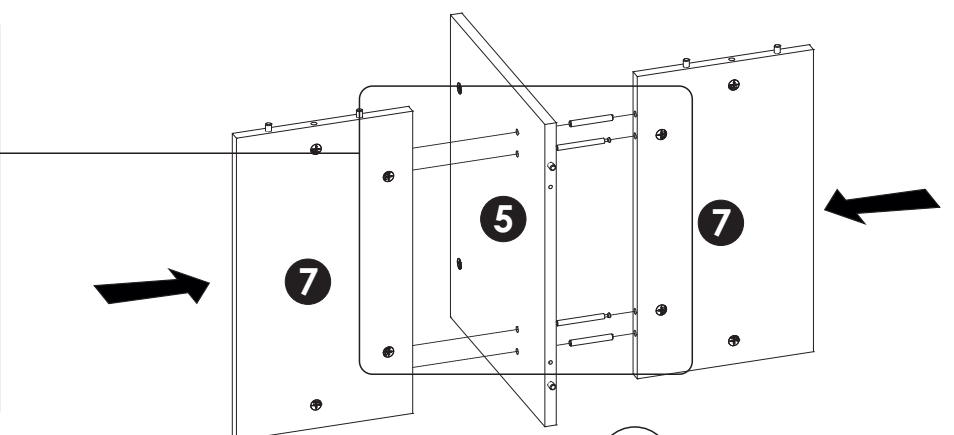
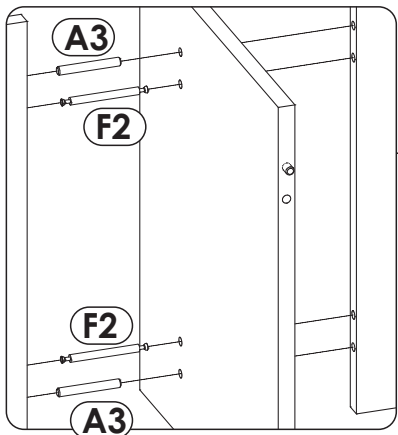
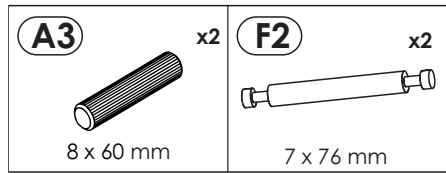
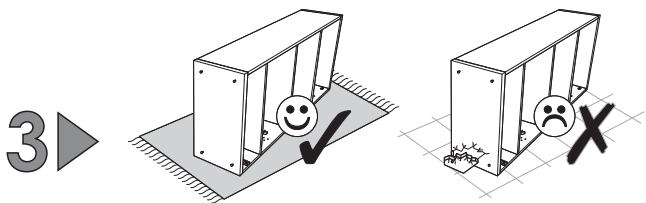


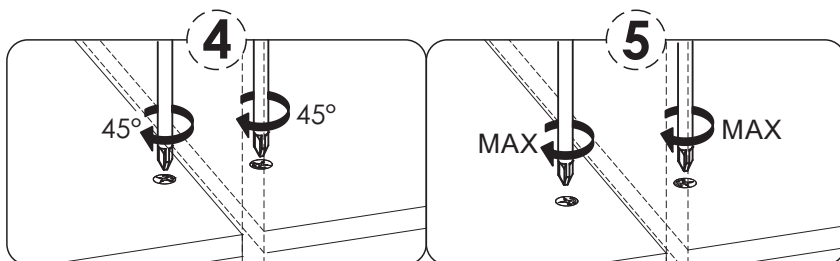
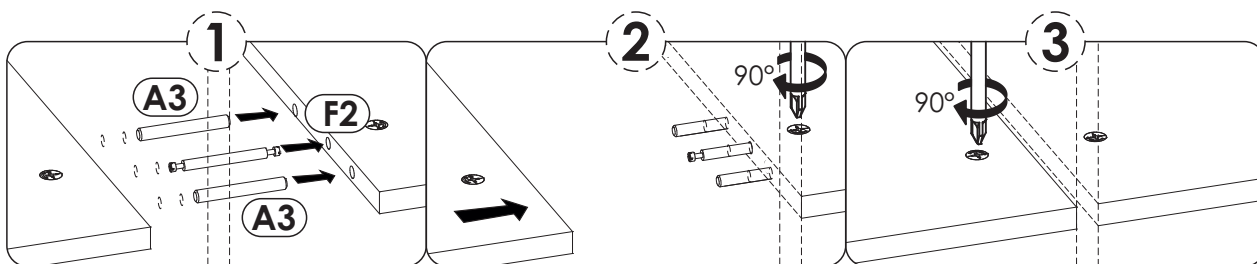
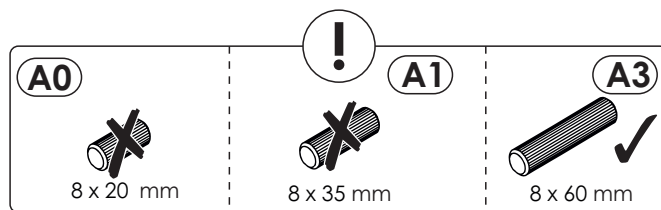
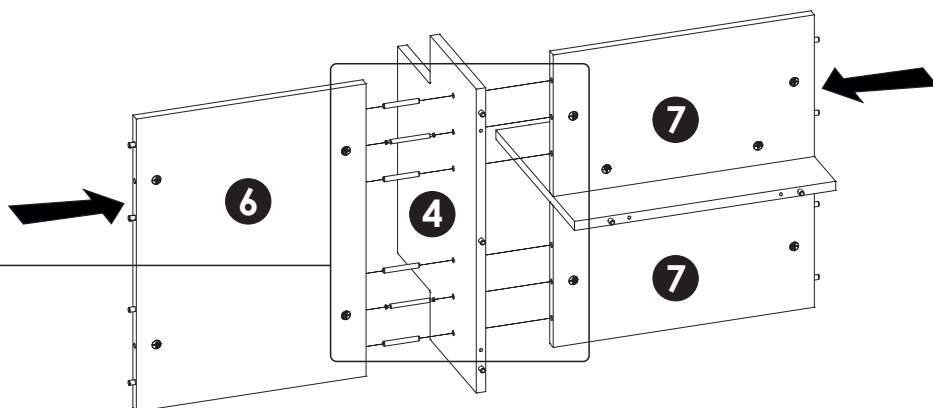
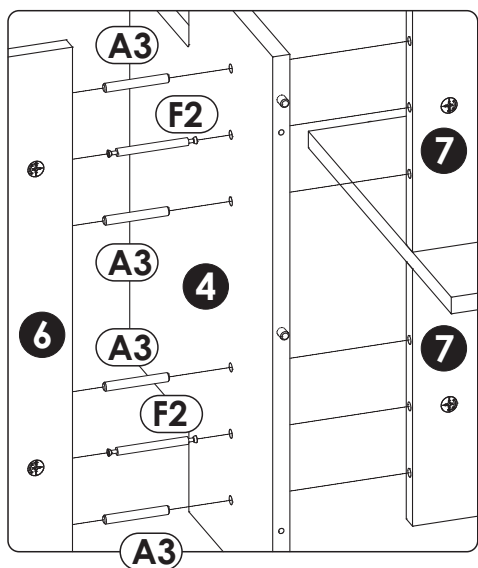
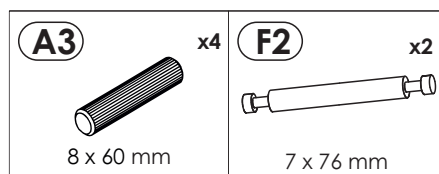
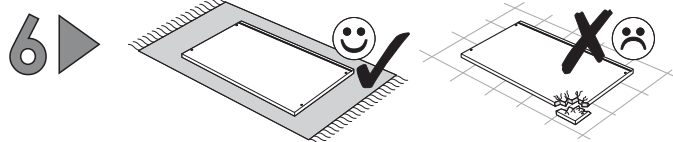
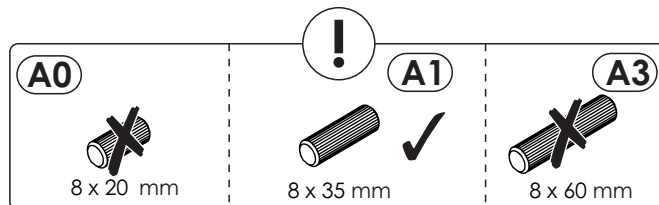
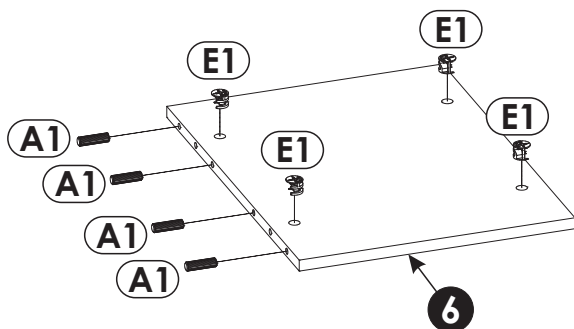
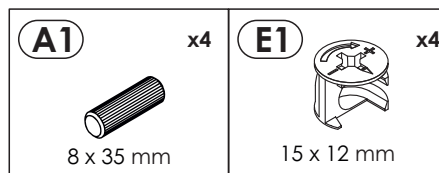
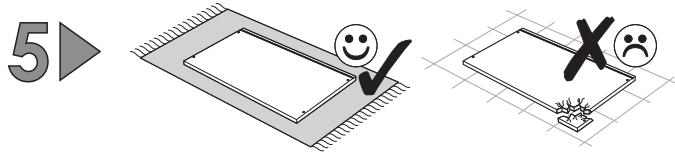
1 ▶▶



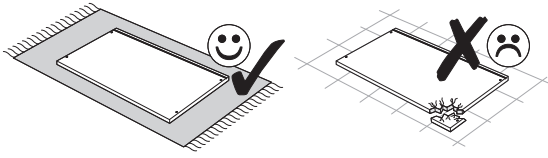
2 ▶▶



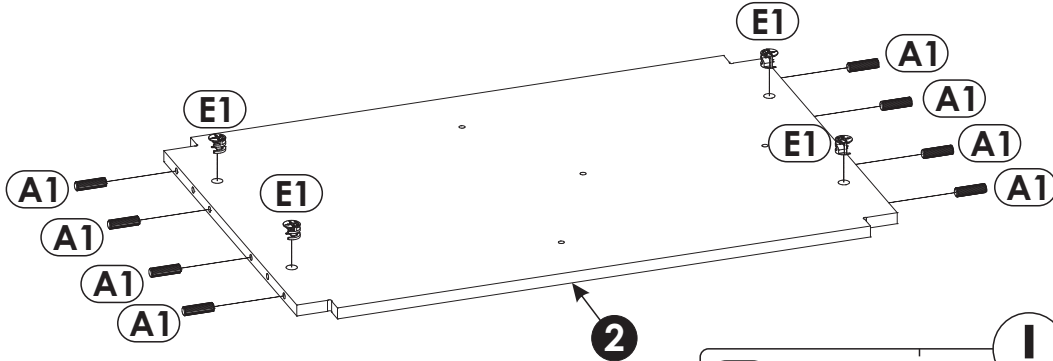




7

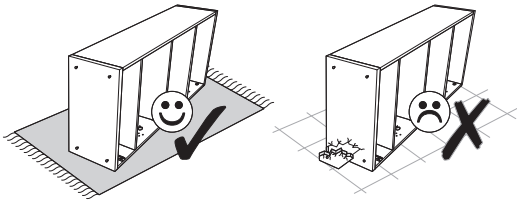


A1	x8	E1	x4
8 x 35 mm		15 x 12 mm	

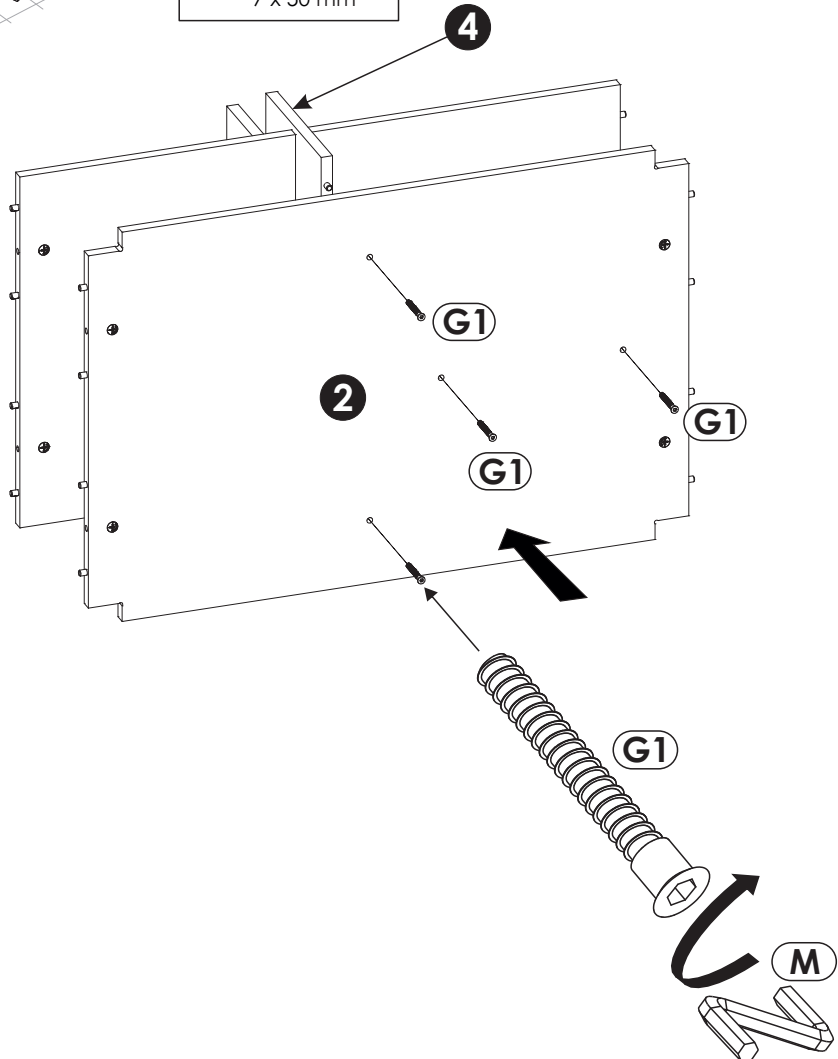
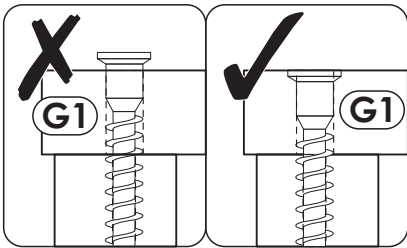


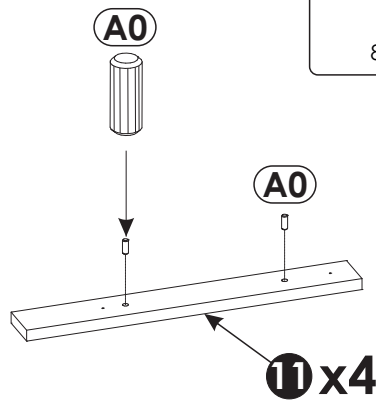
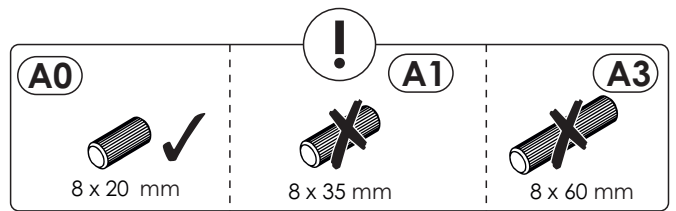
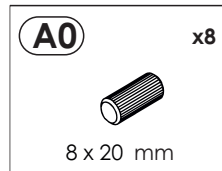
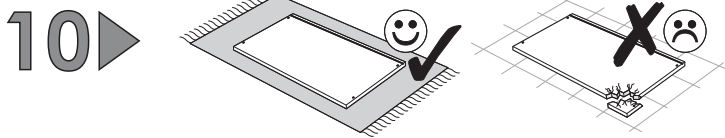
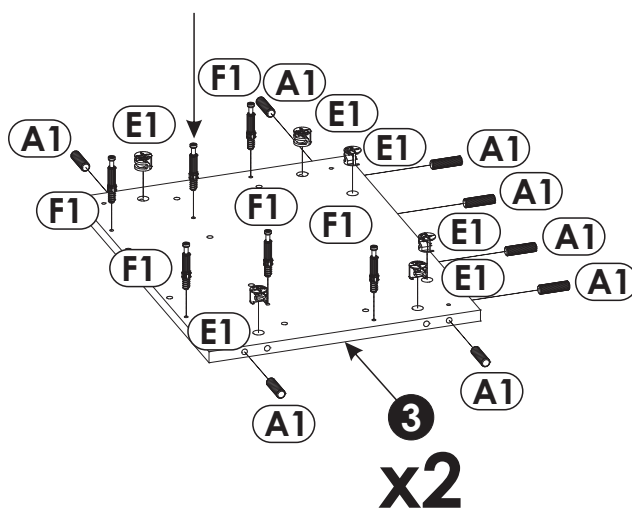
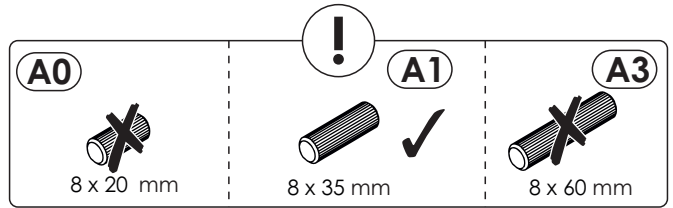
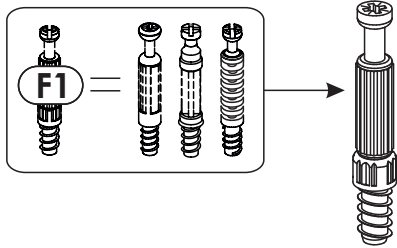
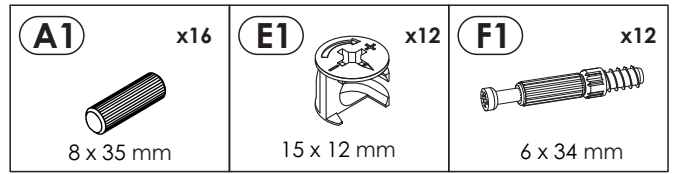
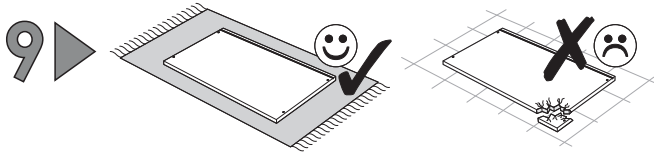
A0	!	A1	A3
8 x 20 mm		8 x 35 mm ✓	8 x 60 mm

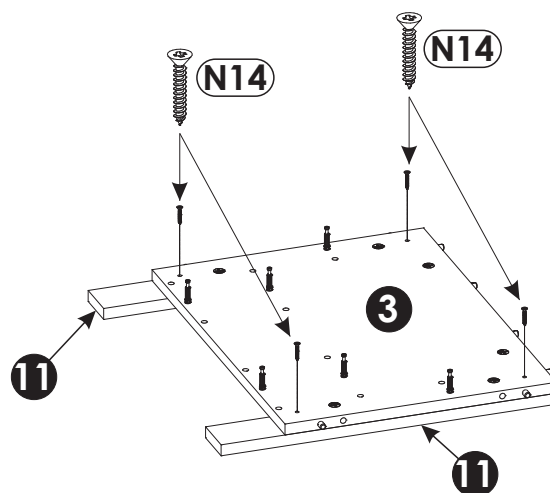
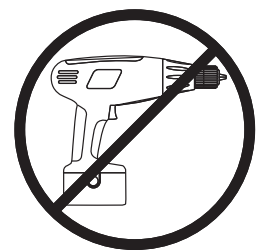
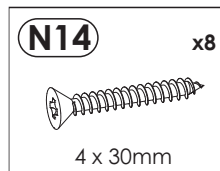
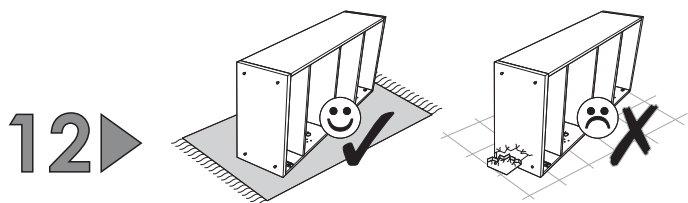
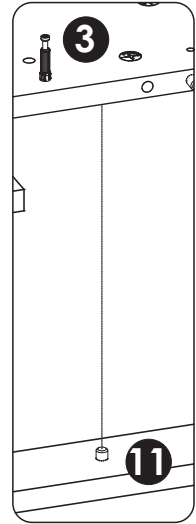
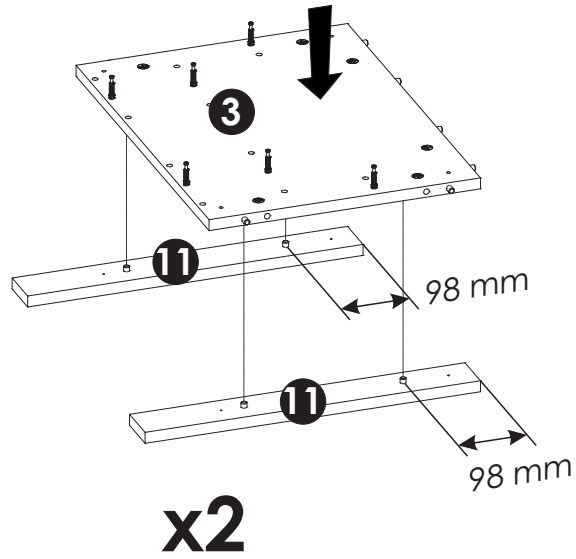
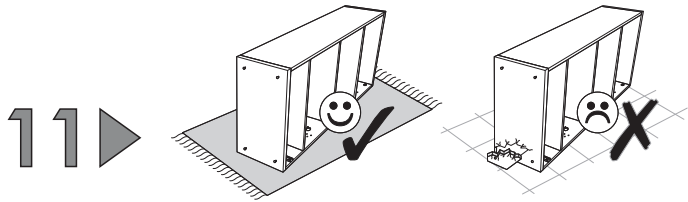
8



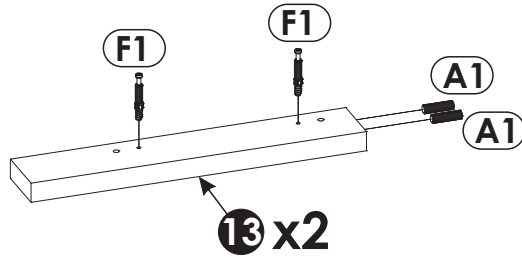
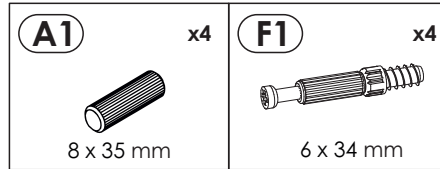
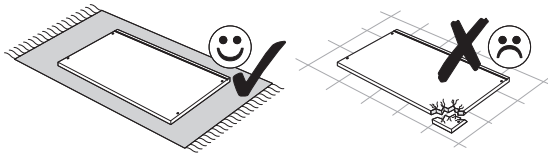
G1	x4
7 x 50 mm	



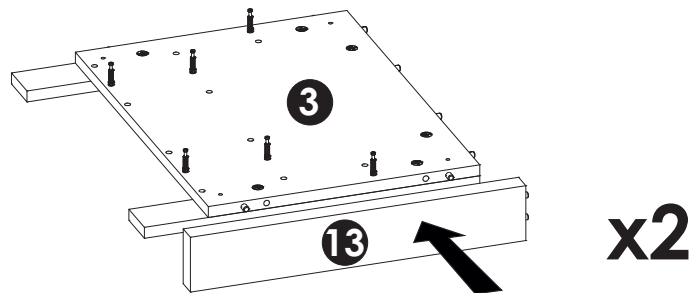
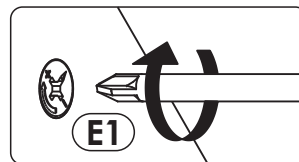
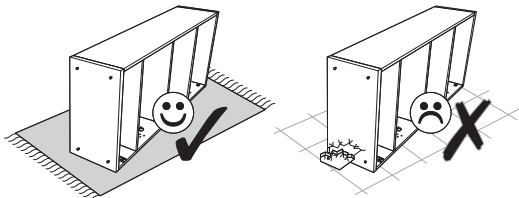




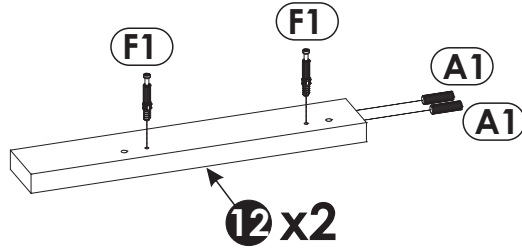
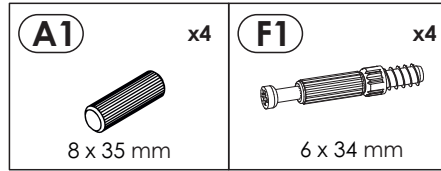
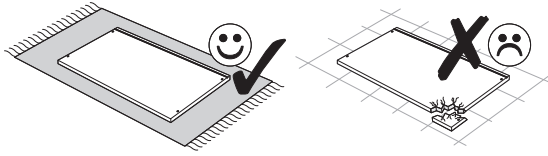
13▶



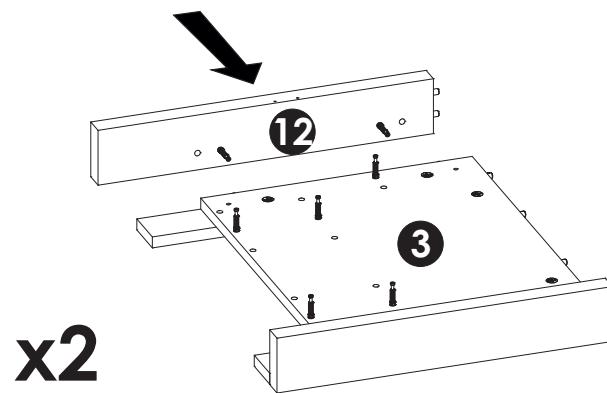
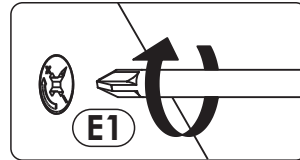
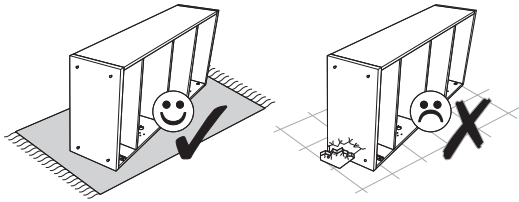
14▶

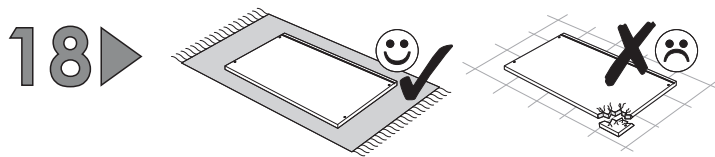
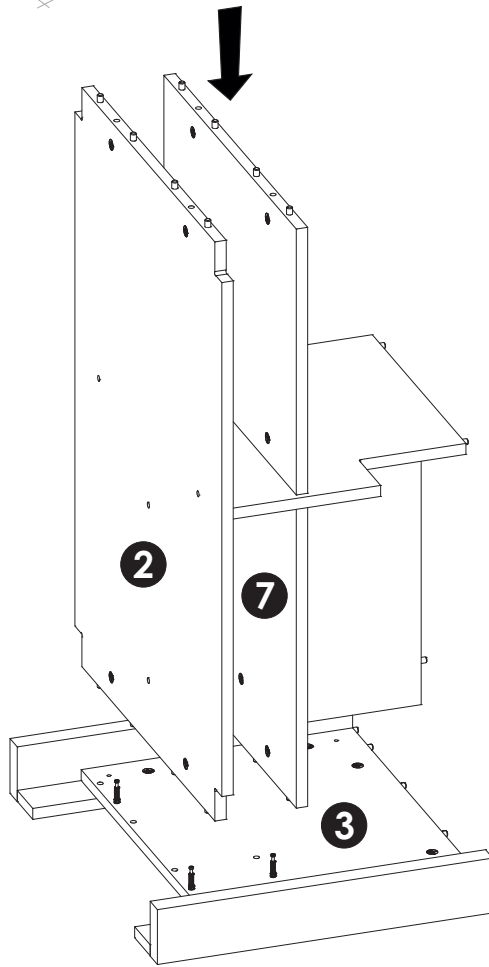
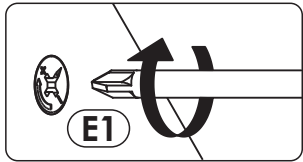
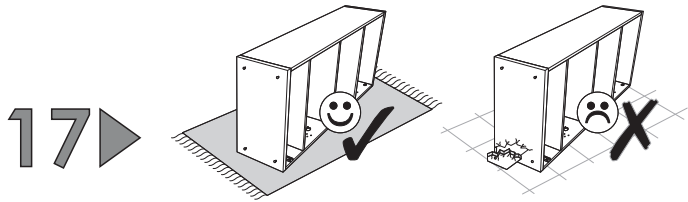


15▶

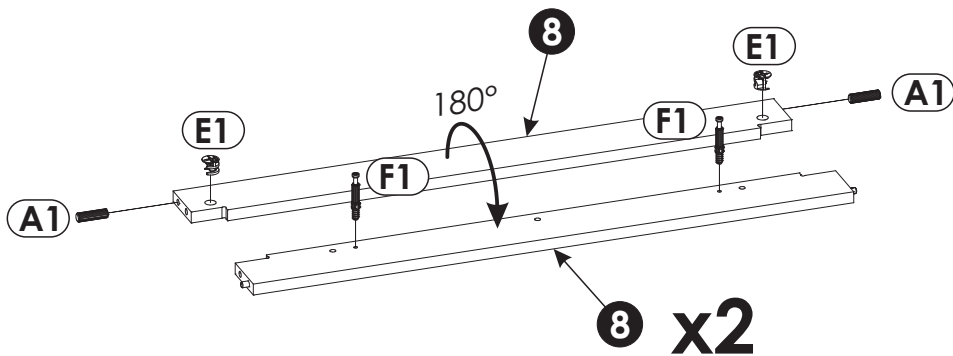


16▶

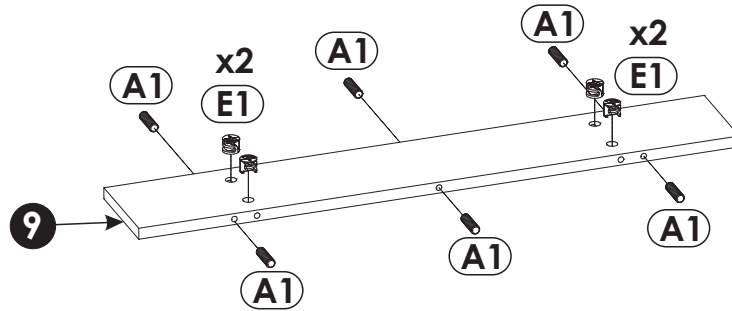
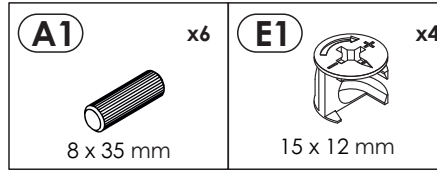
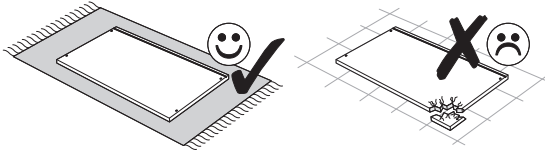




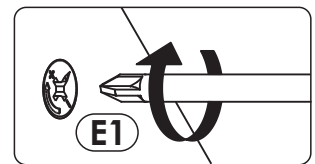
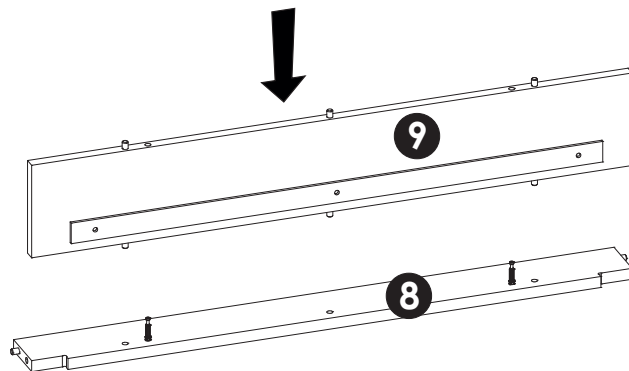
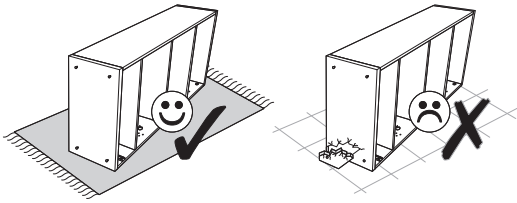
A1	x4	E1	x4	F1	x4
					
8 x 35 mm		15 x 12 mm		6 x 34 mm	



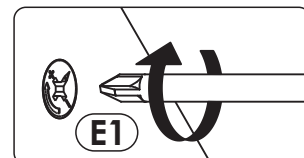
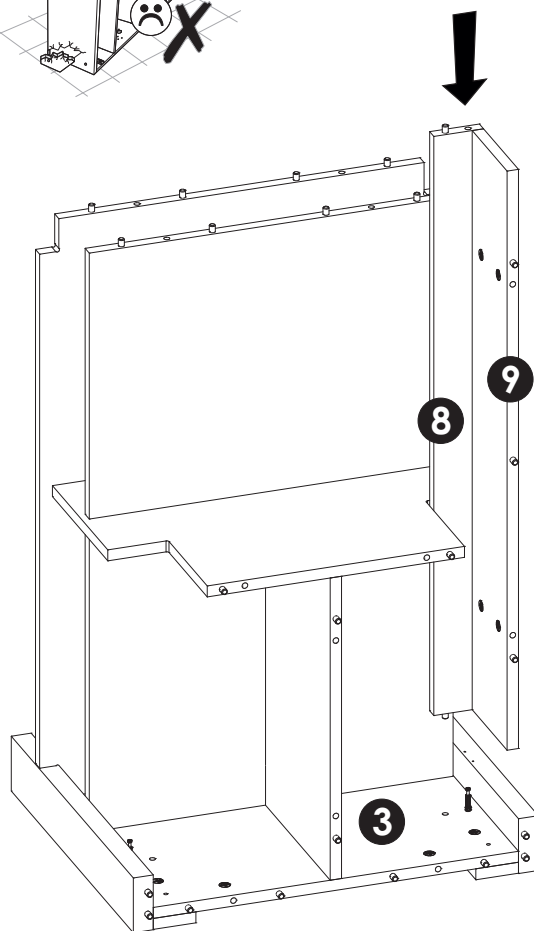
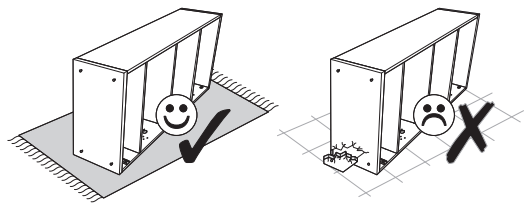
19 ▶



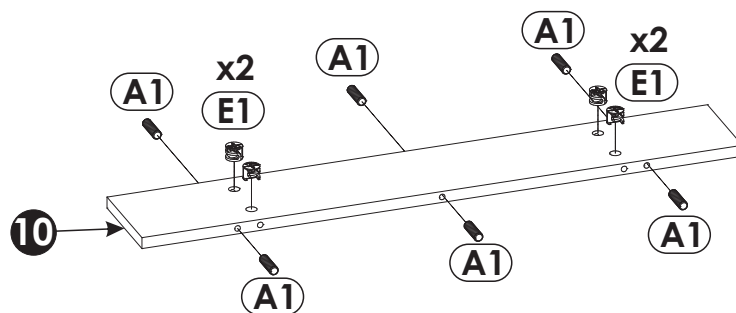
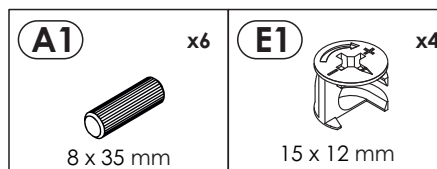
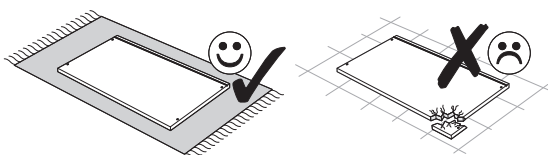
19 ▶



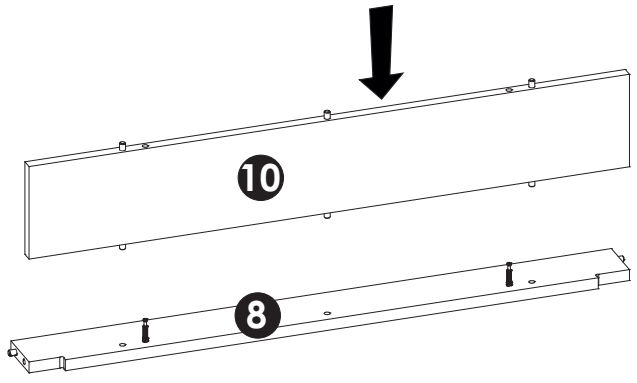
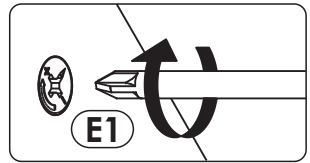
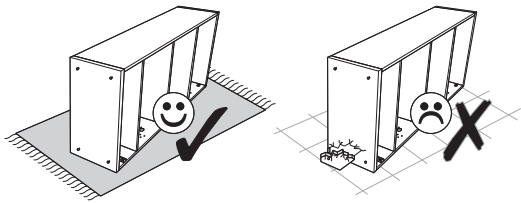
20 ▶



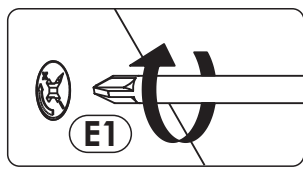
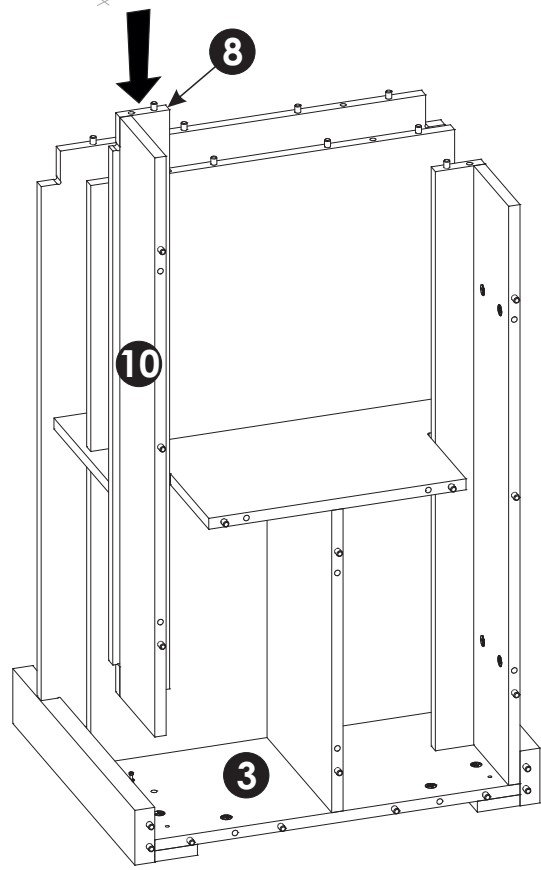
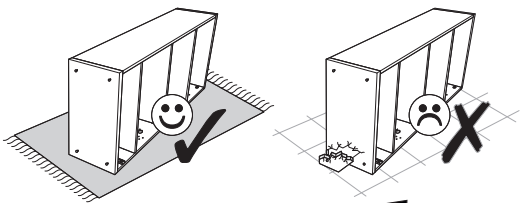
21 ▶



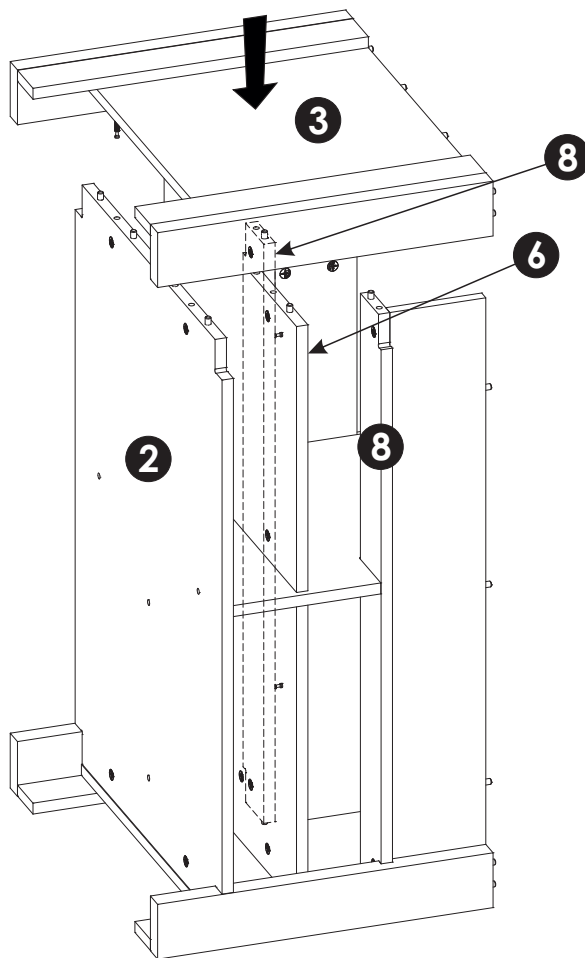
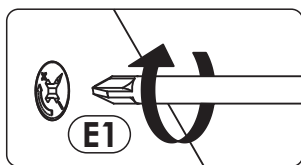
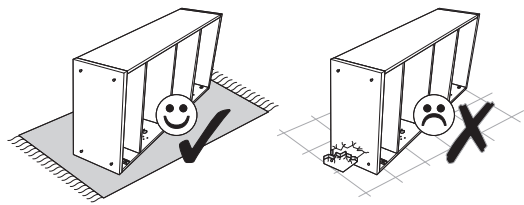
22 ▶



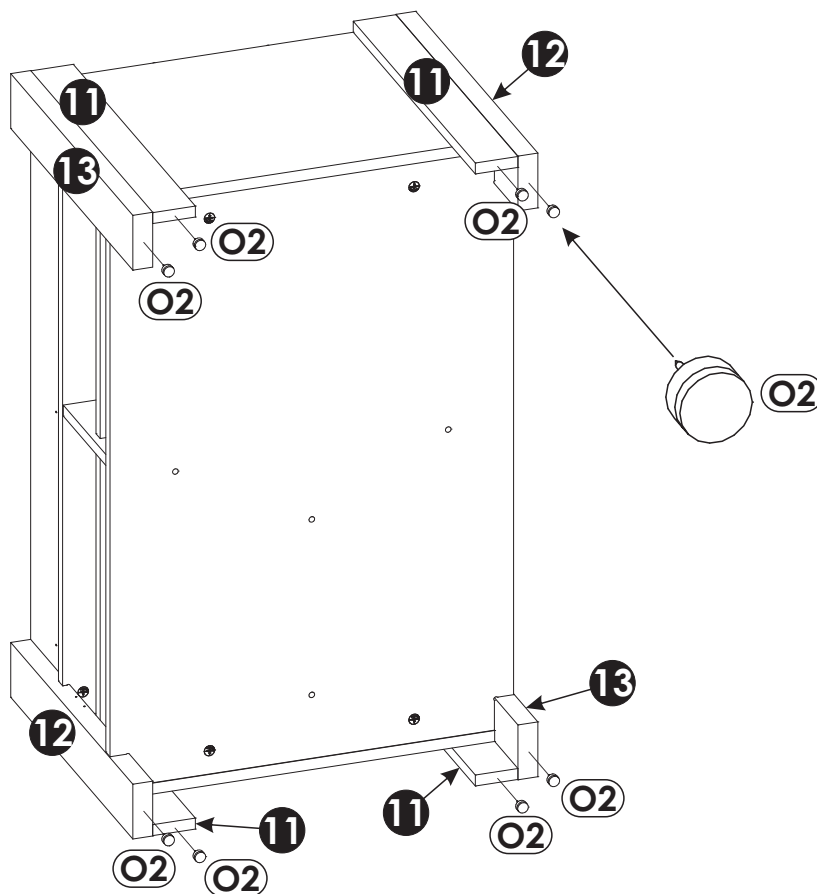
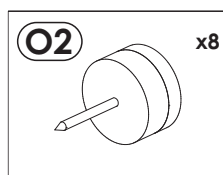
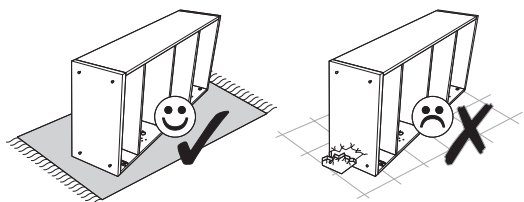
23 ▶



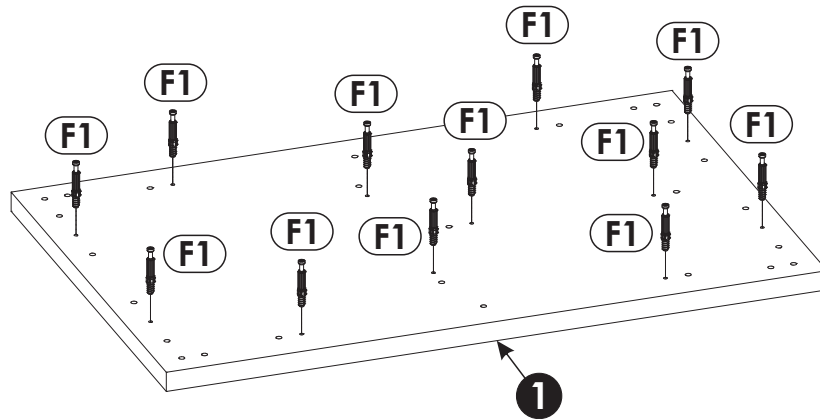
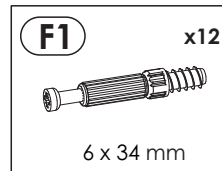
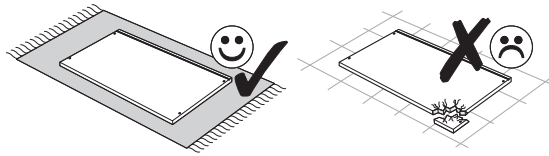
24 ▶



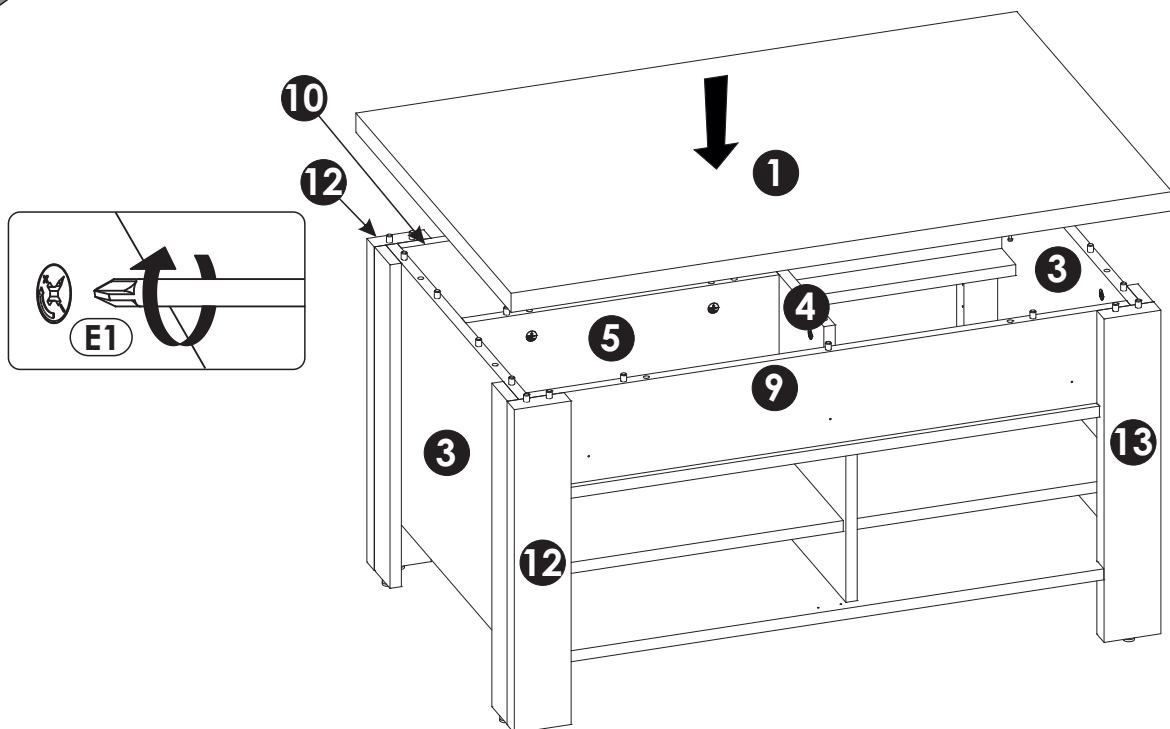
25 ▶



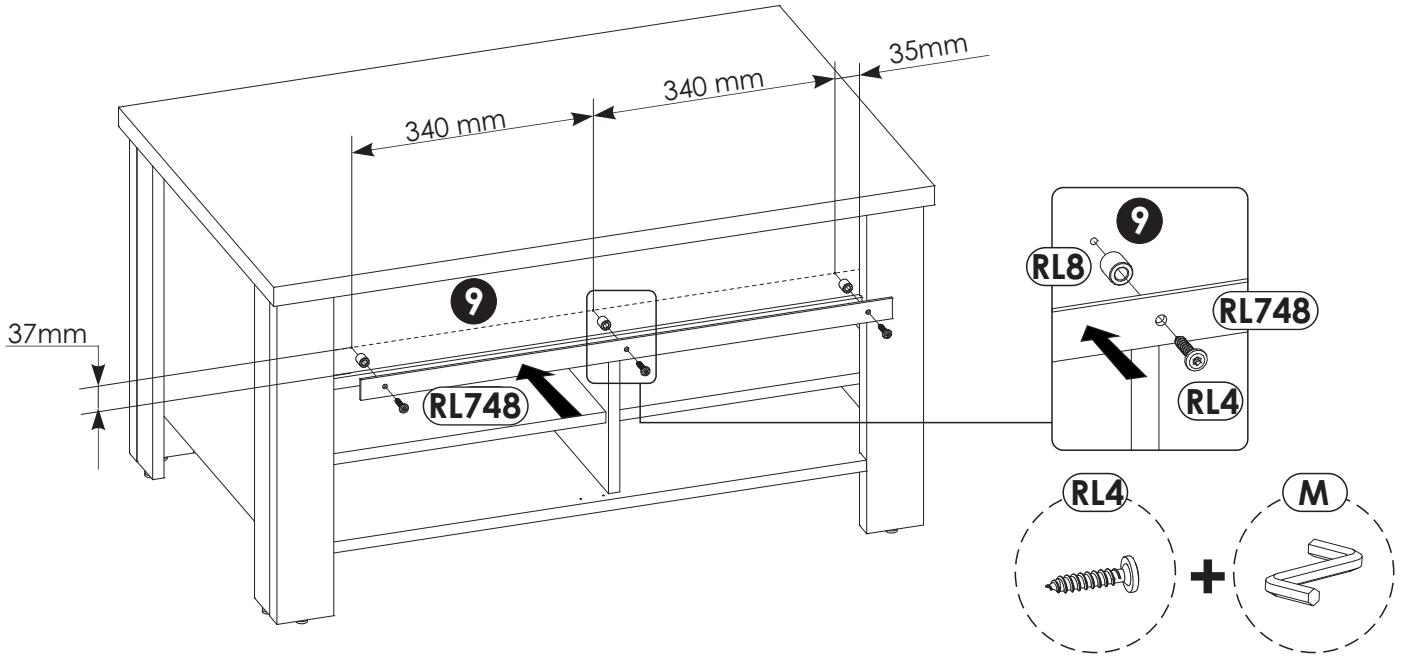
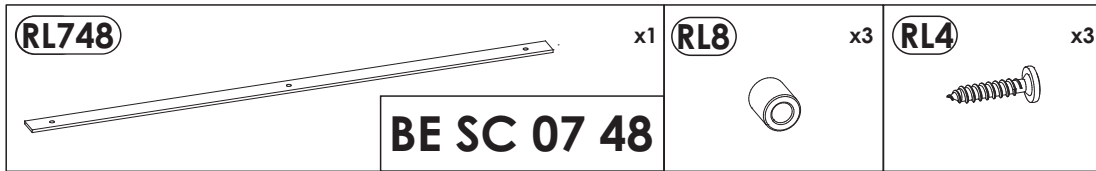
26 ▶



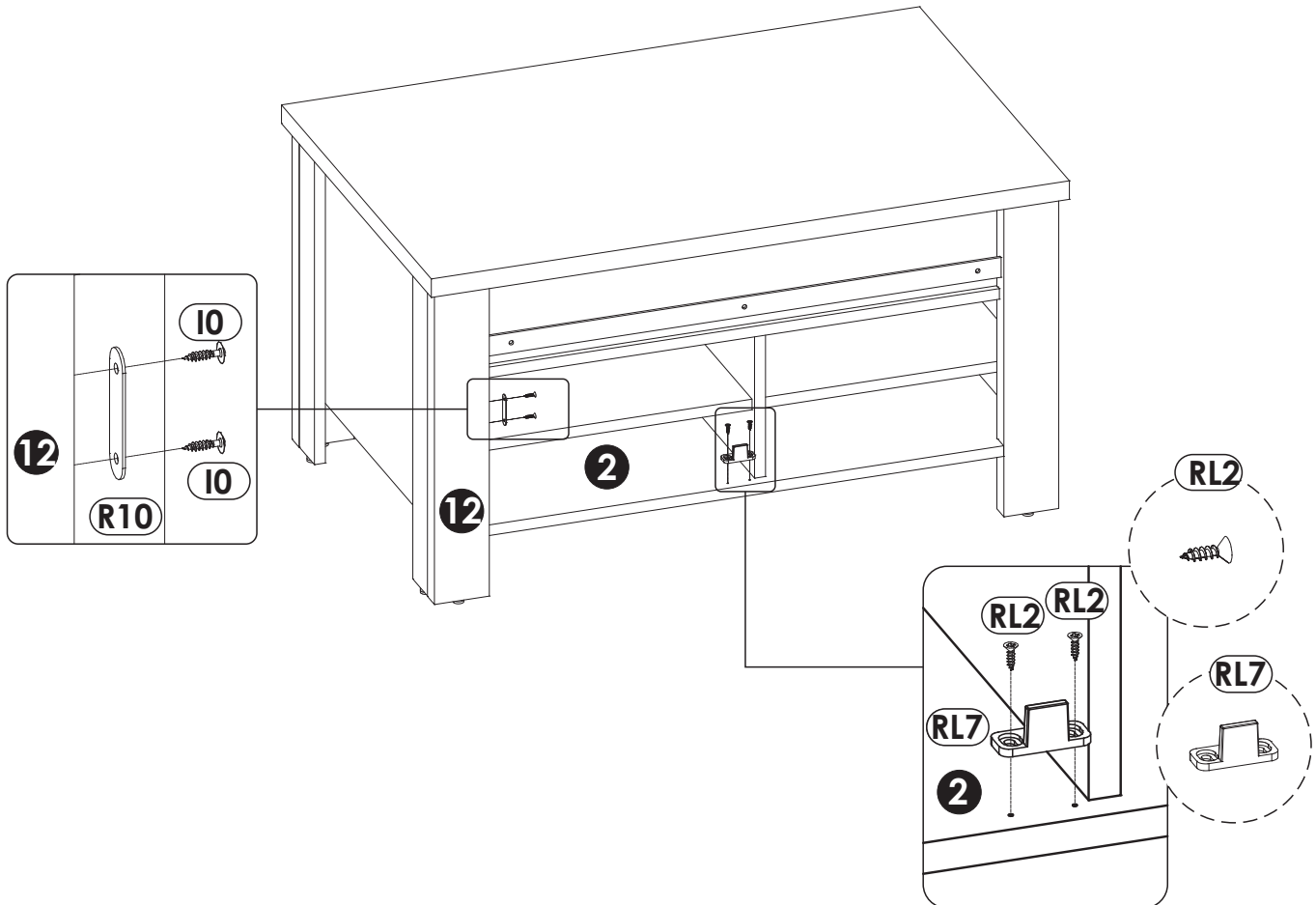
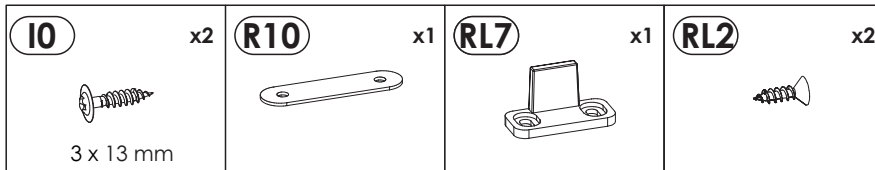
27 ▶



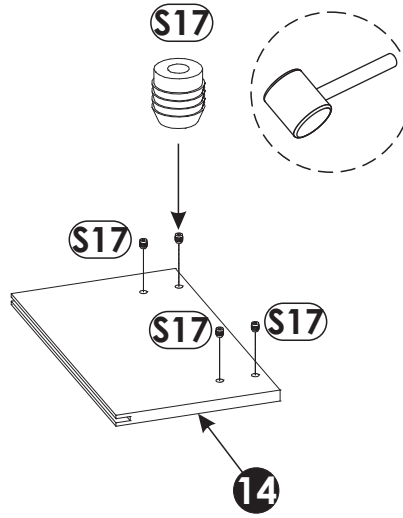
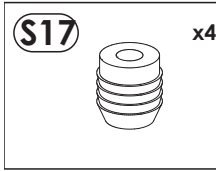
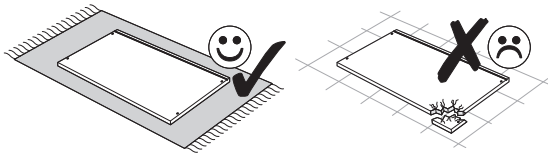
28 ▶



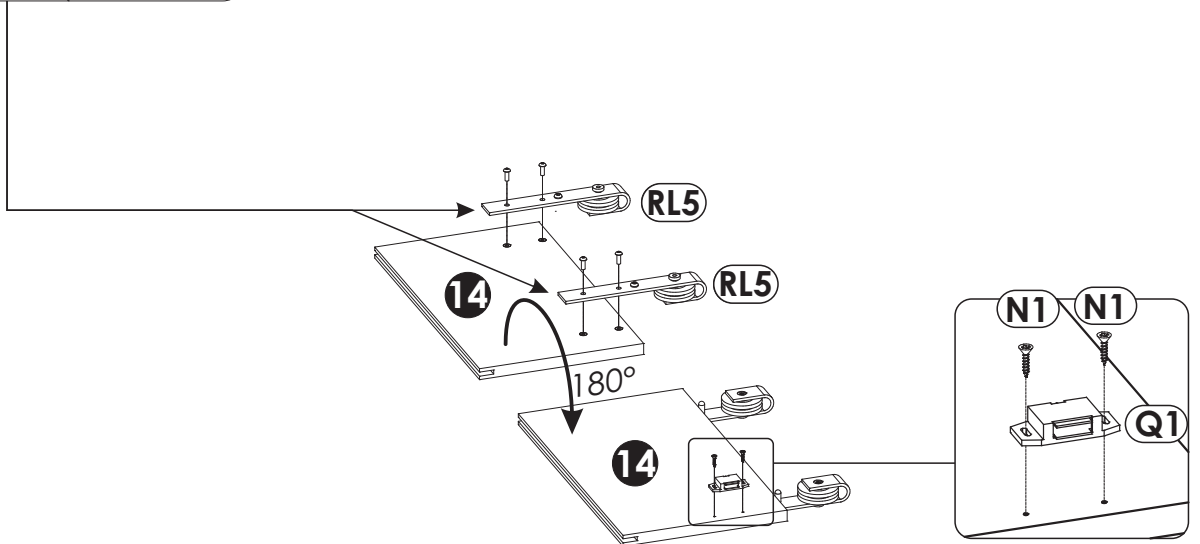
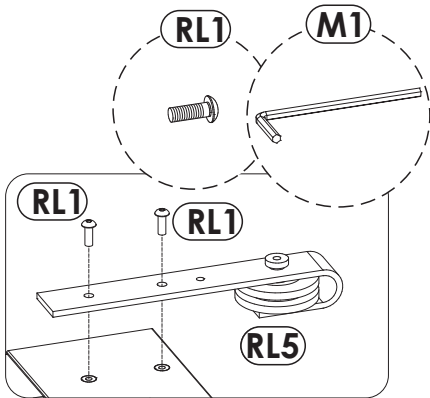
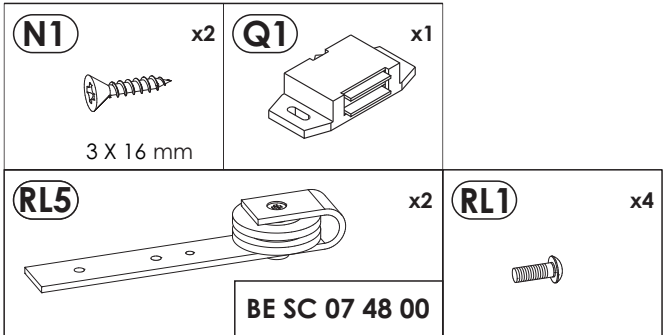
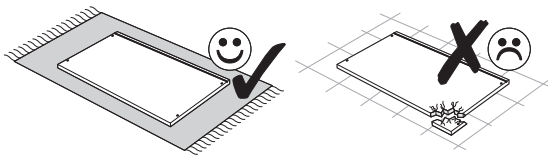
29 ▶



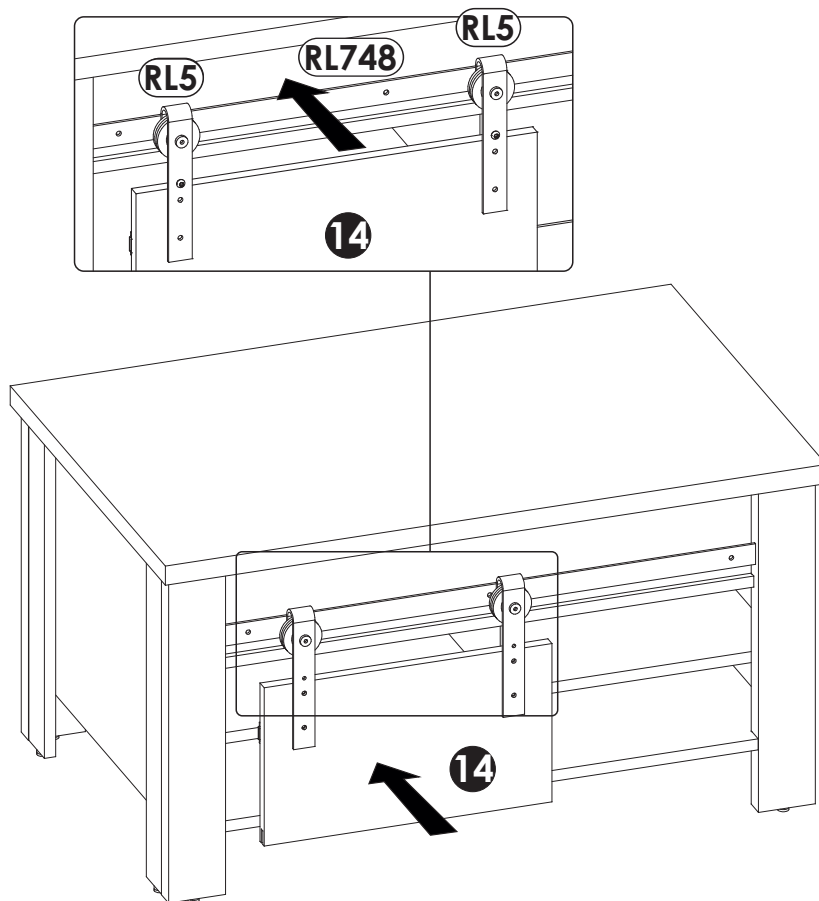
30 ▶



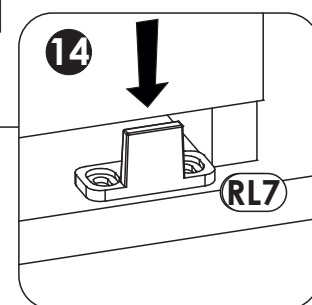
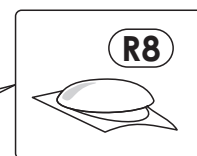
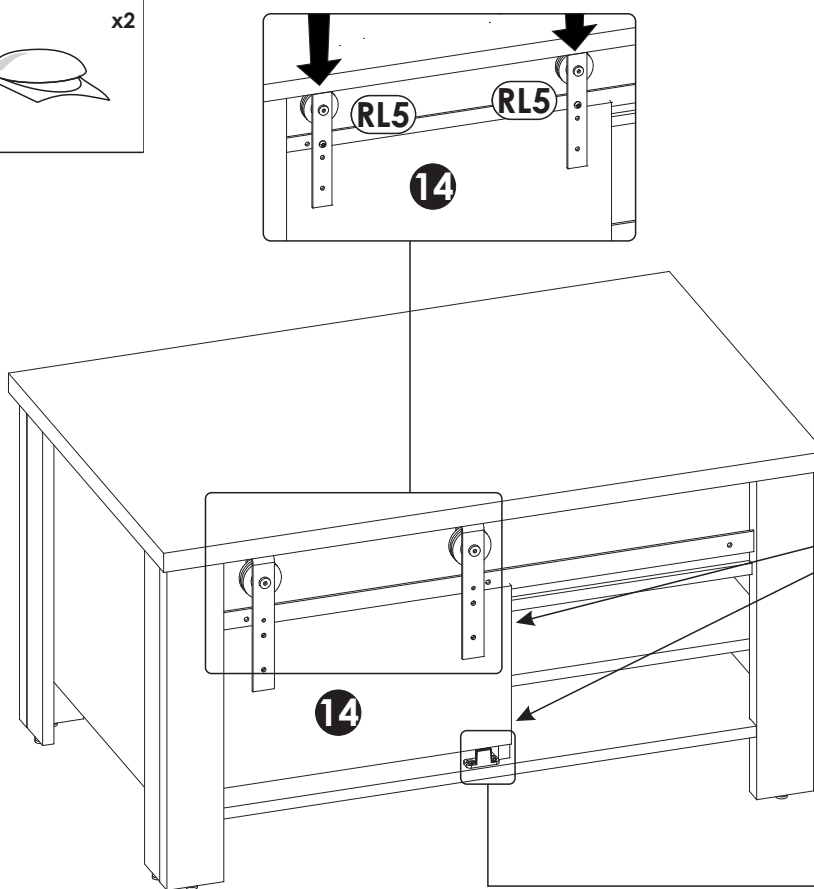
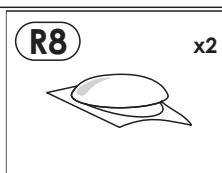
31 ▶



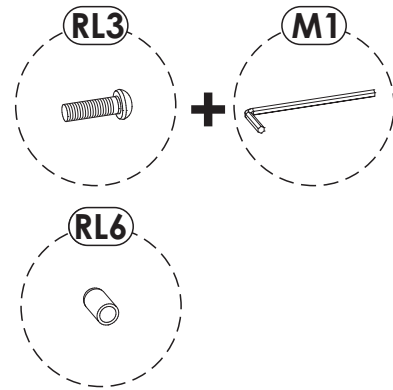
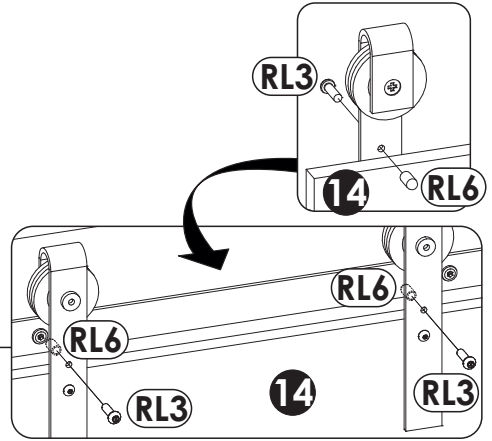
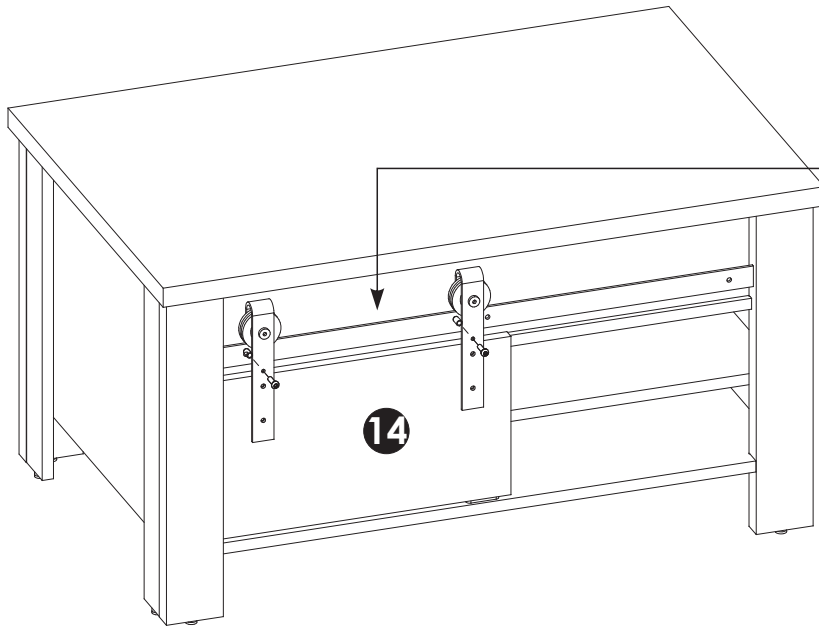
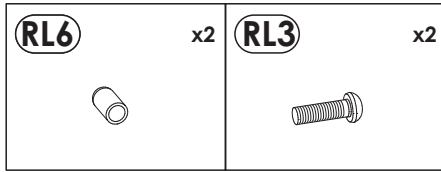
32 ▶



33 ▶



34 ▶



35 ▶



 max
20kg

 max
10kg

 max
10kg

 max
10kg

