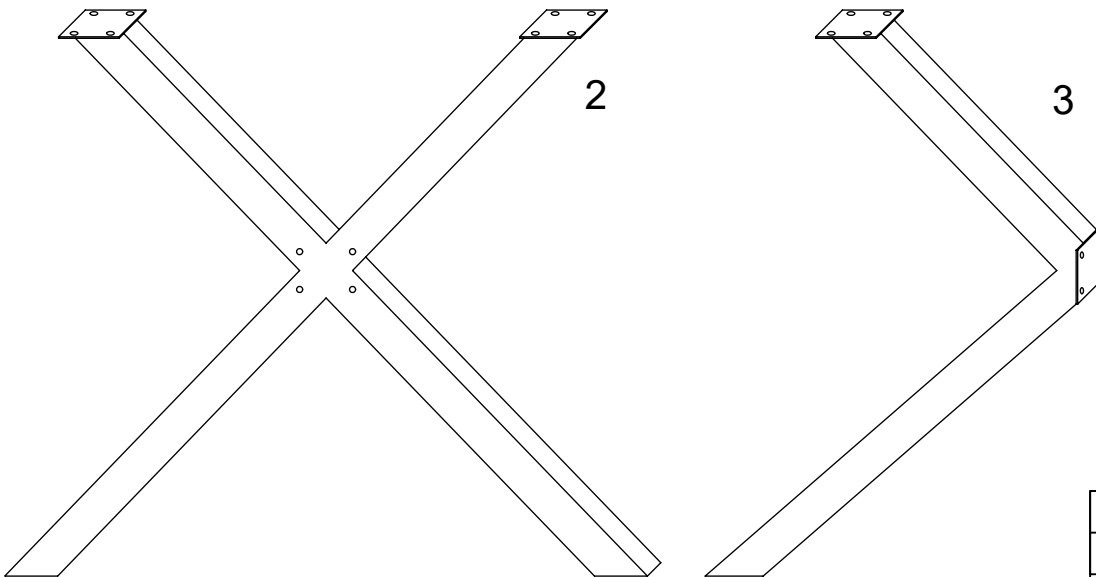
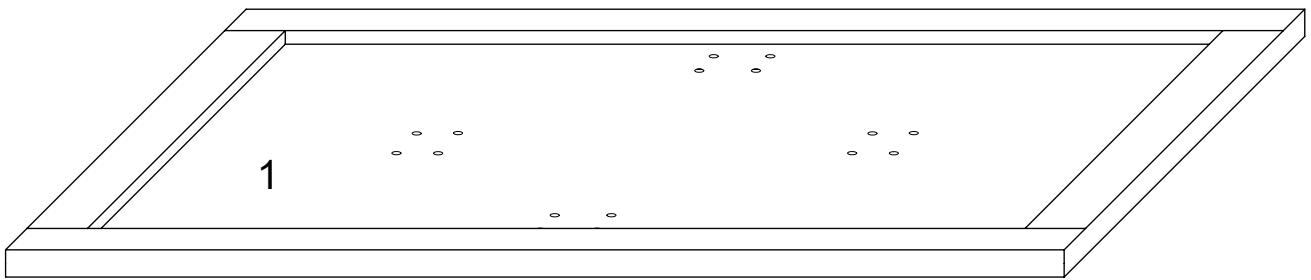
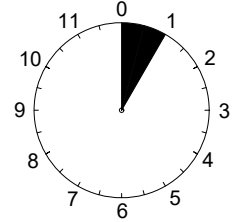
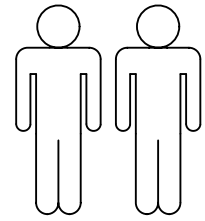
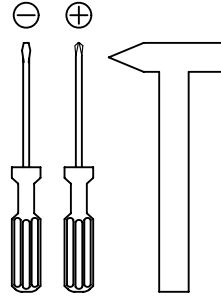
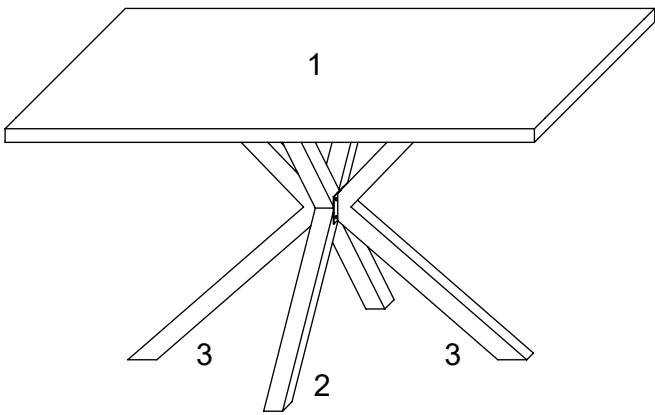
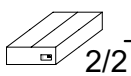


"Cleo"



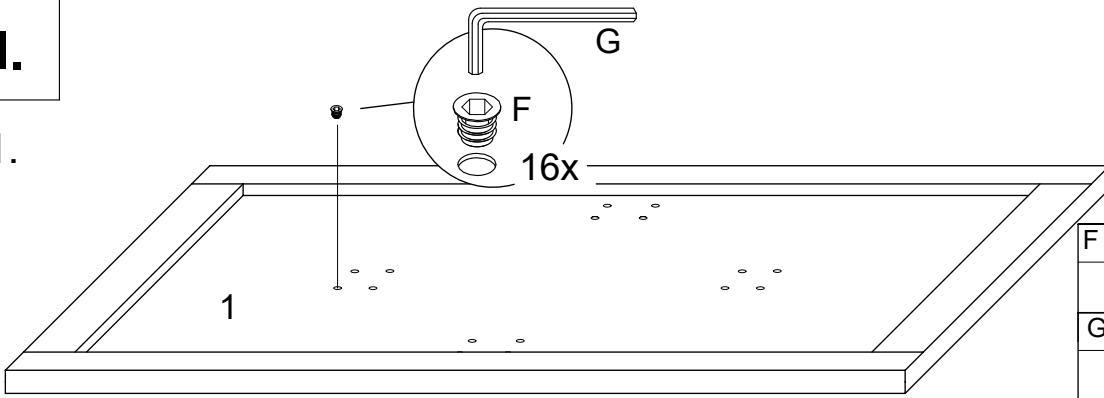
1	1x	1/2
2	1x	2/2
3	2x	2/2








A	M6x16	B	D13*D6.5*1.5mm	C		D	SW 4	E	D18*D6.5*1.5mm
	24x		8x		4x		1x		16x
F	M6 12x13	G	SW 6						
	16x		1x						

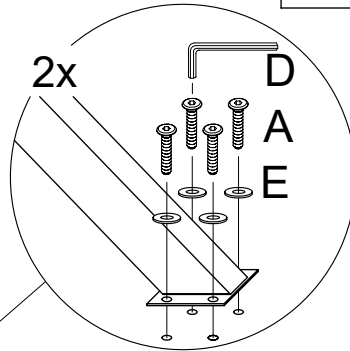
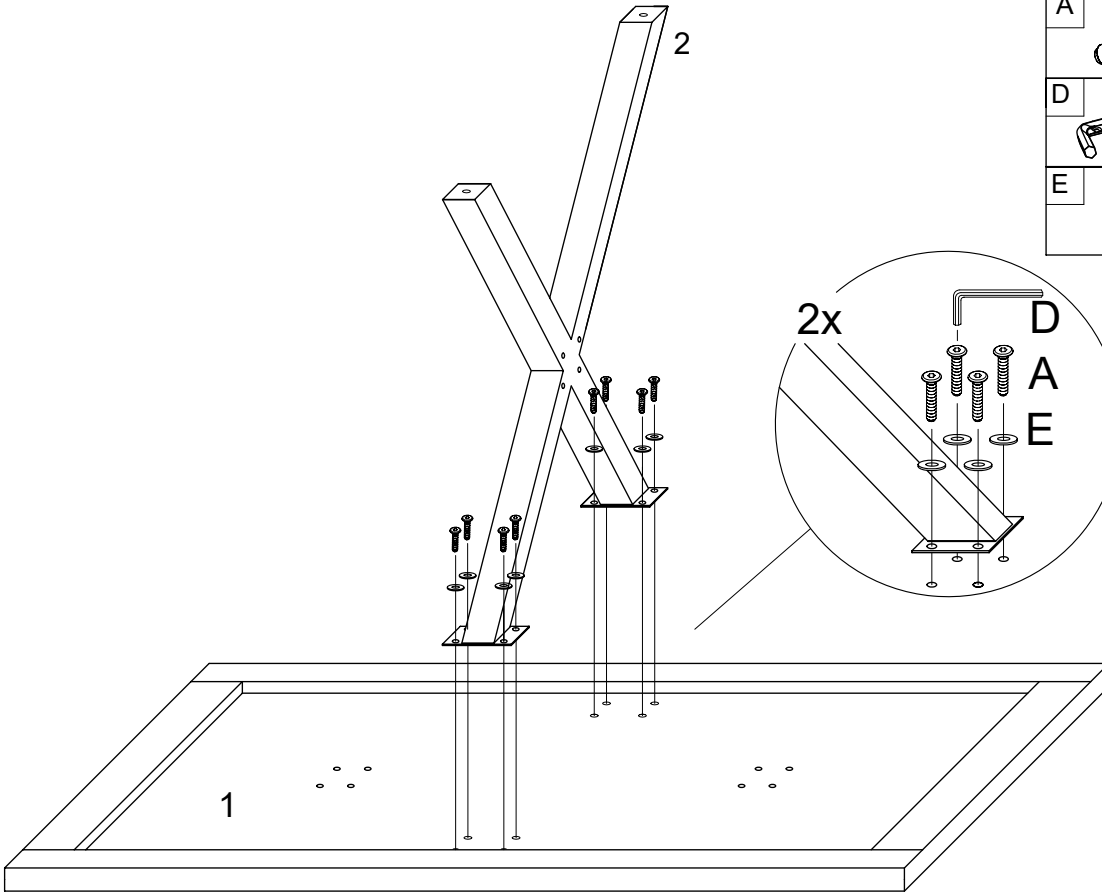
I.

1.

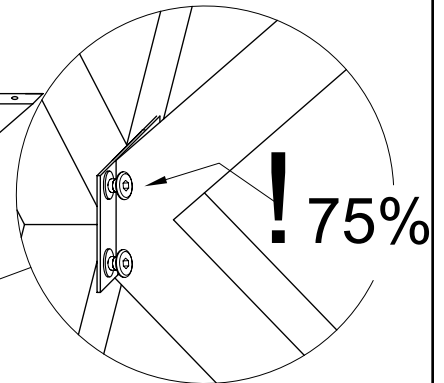
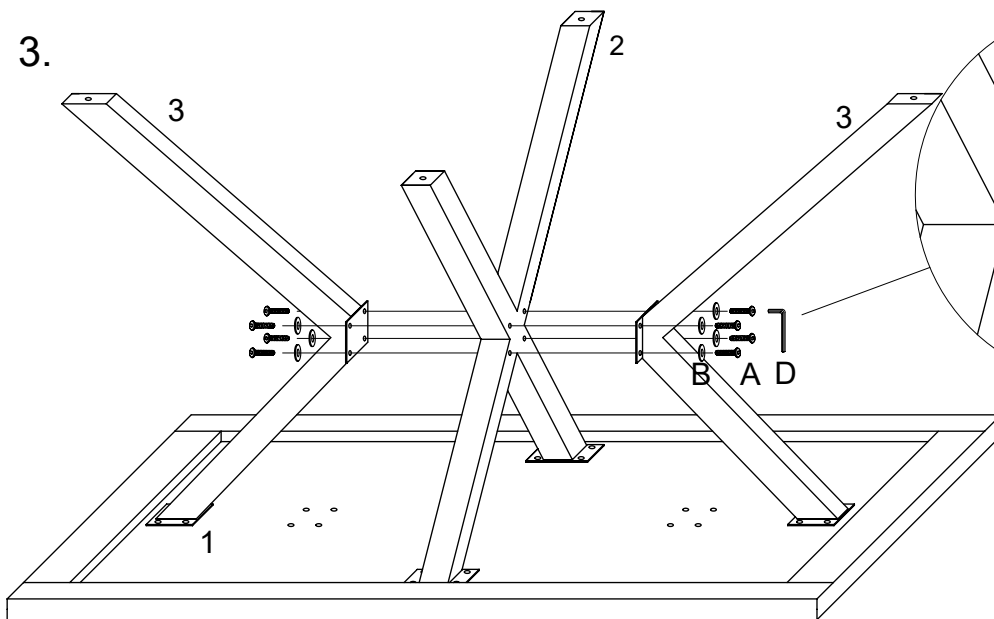


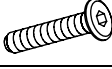


F	M6 12x13		16x
G	SW 6		1x
A	M6x18		8x
D	SW 4		1x
E	D18*D6.5*1.5mm		8x

2.

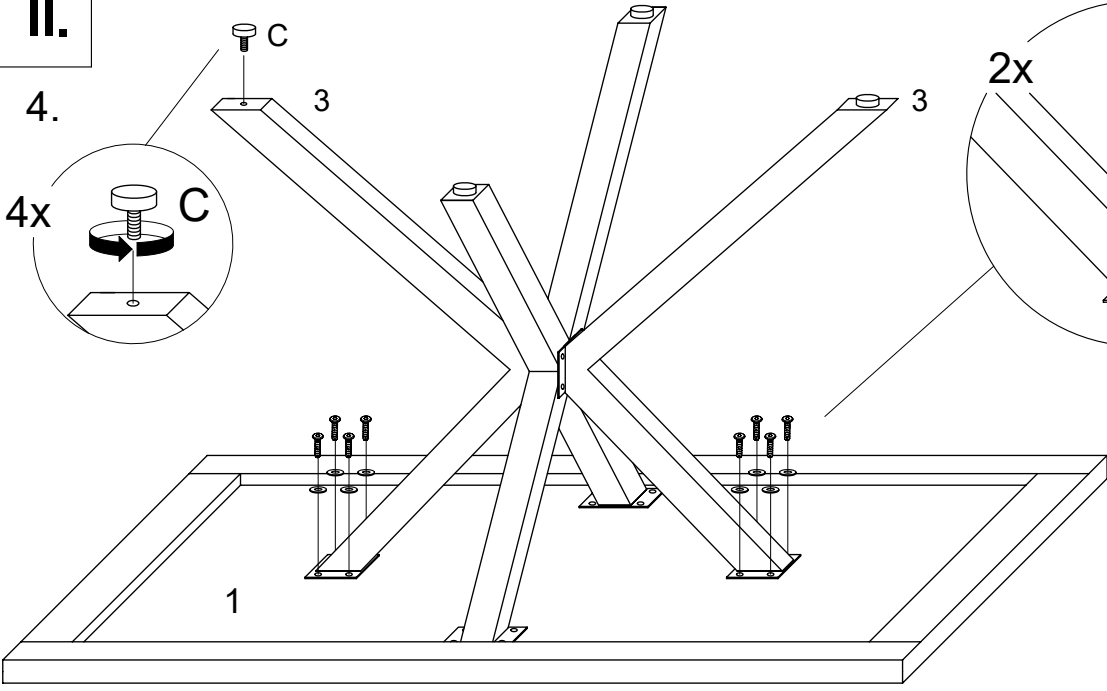


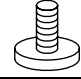
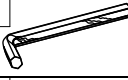
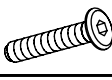

3.



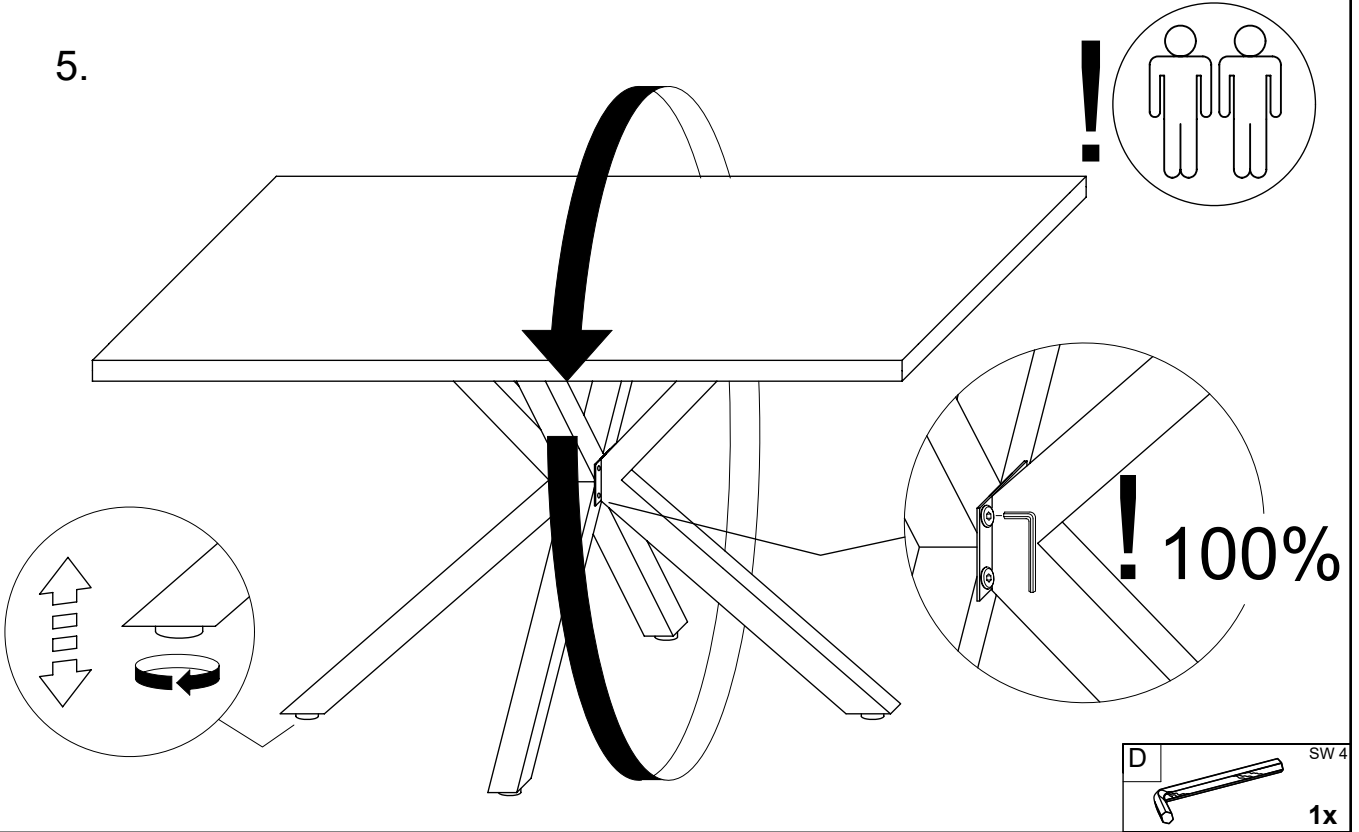
A	M6x18		8x
D	SW 4		1x
B	D13*D6.5*1.5mm		8x


II.

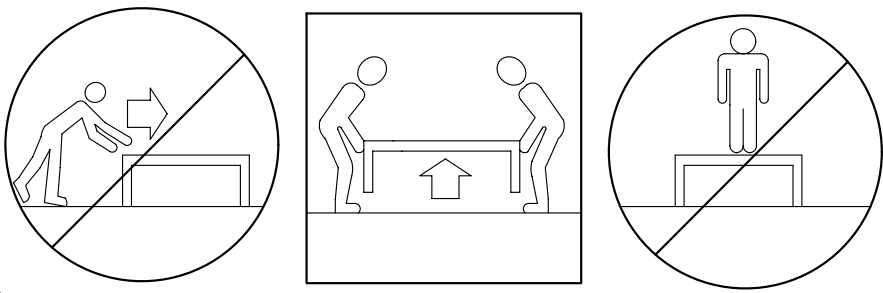


- C  4x
SW 4
- D  1x
- A  M6x16 8x
- E  D18*D6.5*1.5mm 8x

5.



- D  SW 4 1x



 **LE TRI + FACILE**  

Séparez les éléments avant de trier