


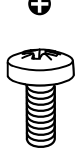


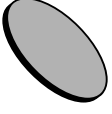
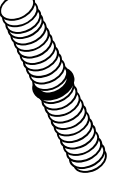
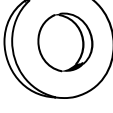
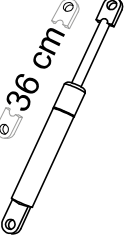
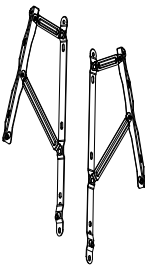
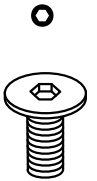
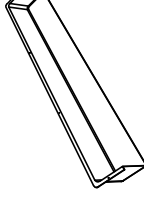

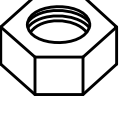
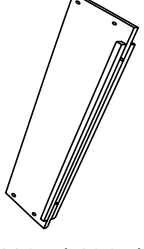
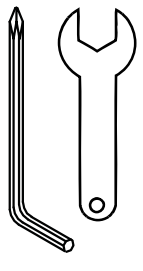







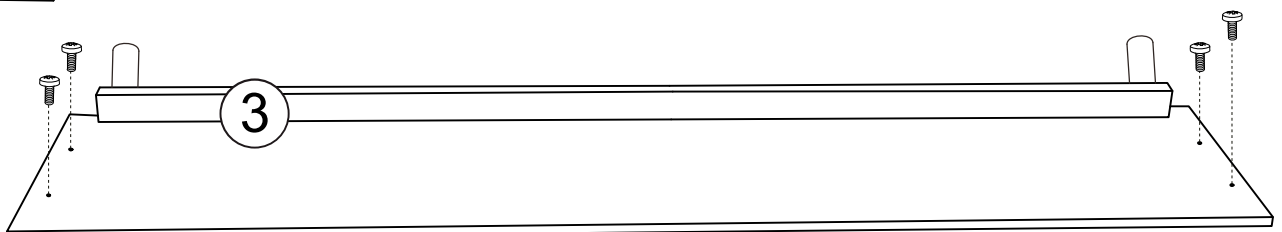
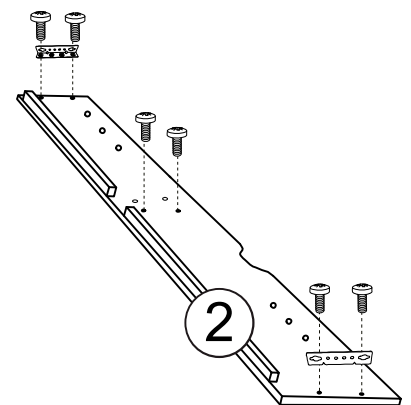
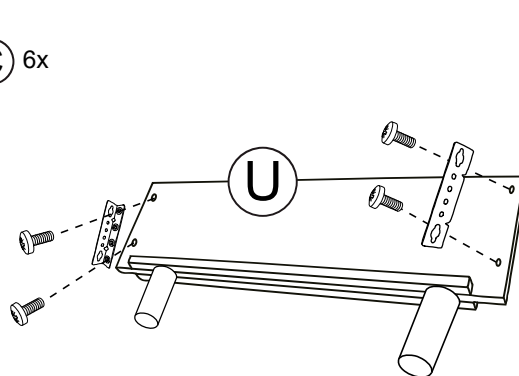
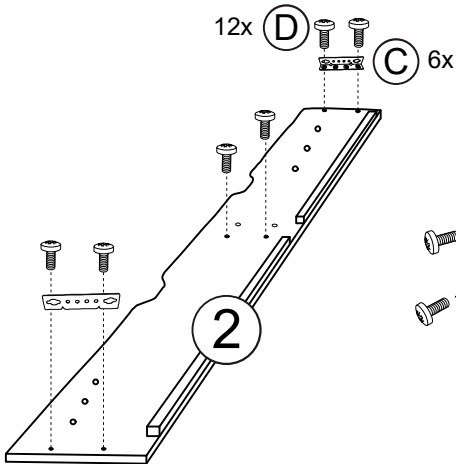
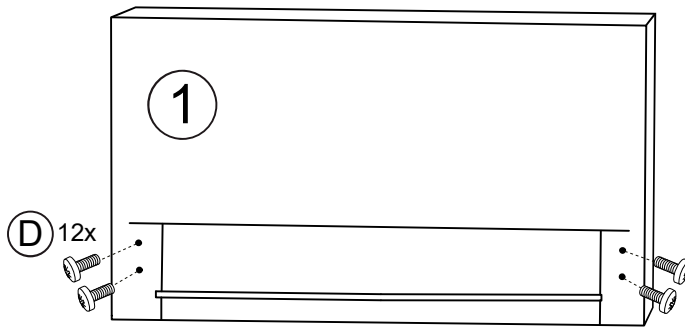
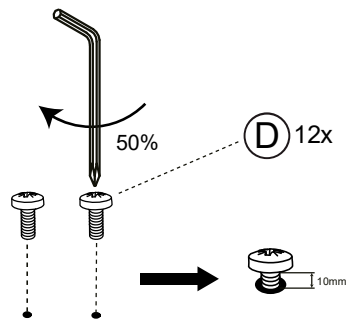
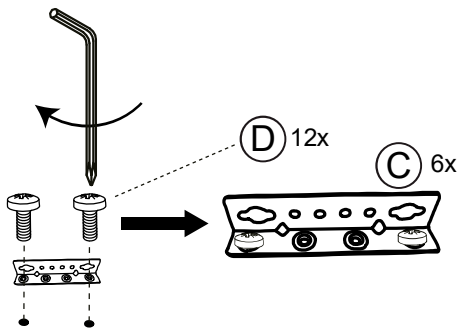
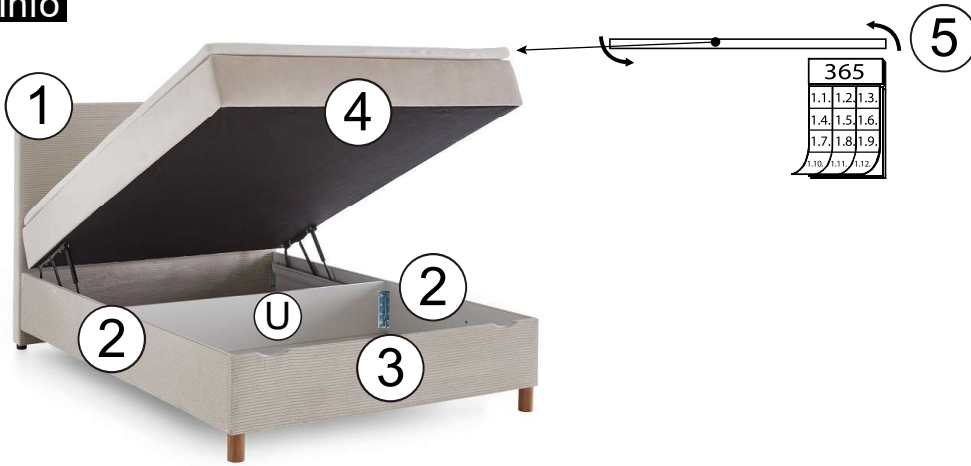
KORSIKA by meise (KB-616)

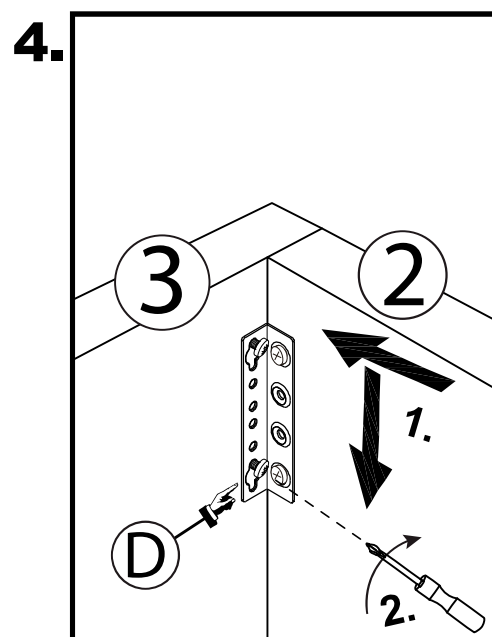
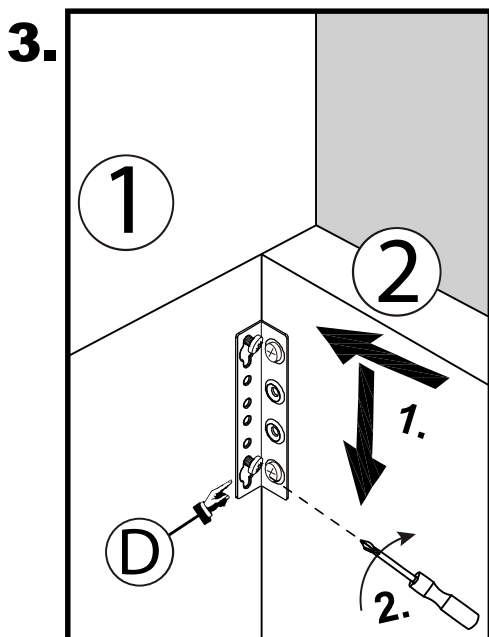
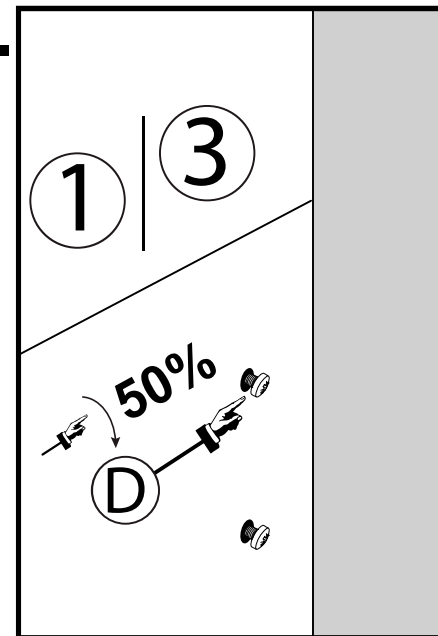
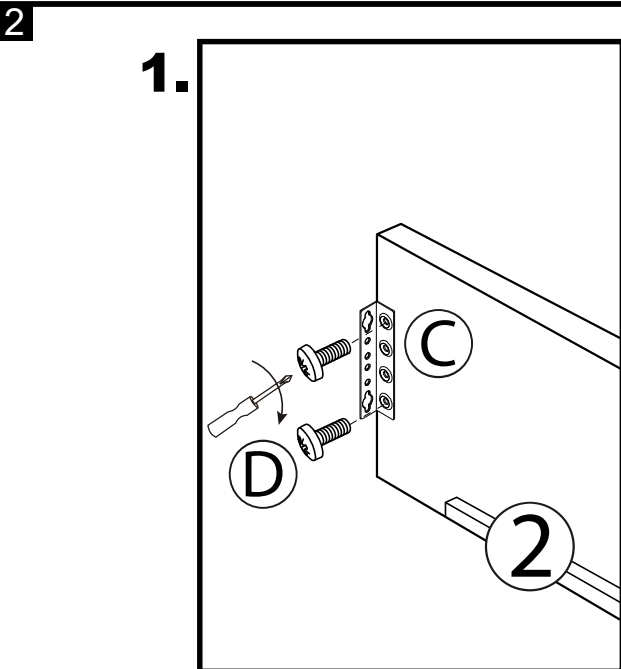
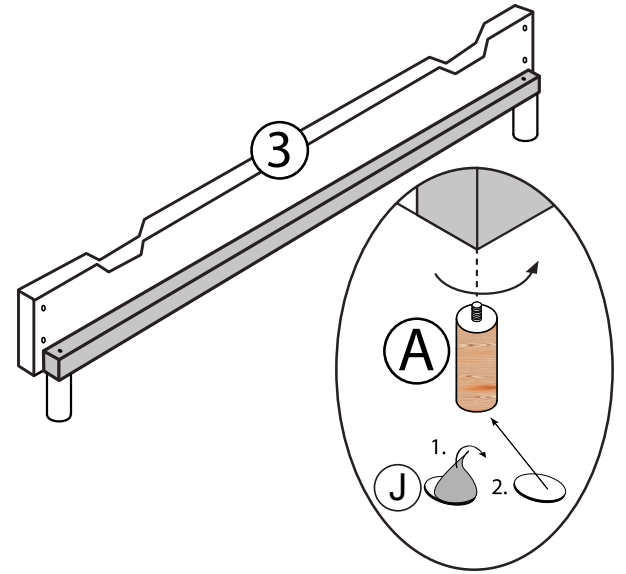
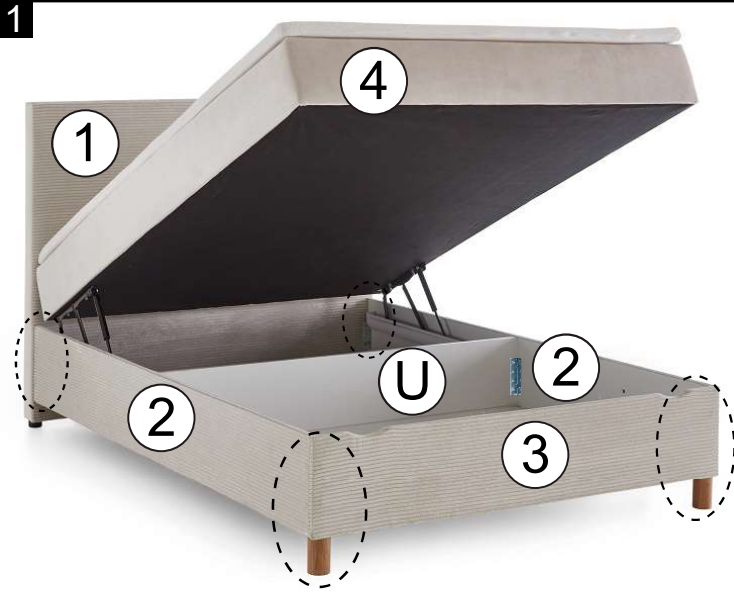
Bettkasten / storage

120 cm
 140 cm

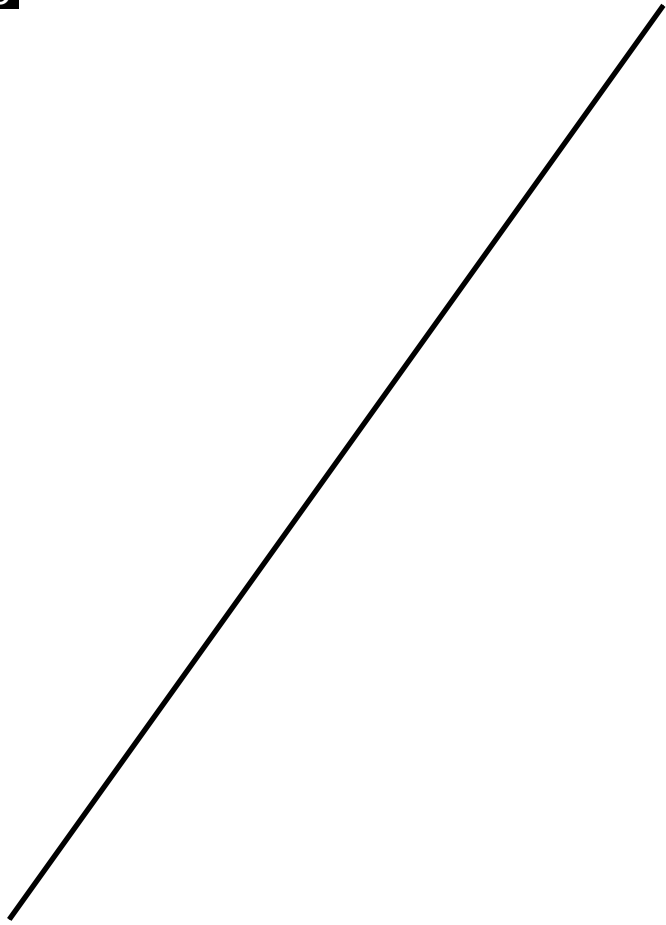
A-12	B-12	C-12	D-12	E-12	F-12	G-12	H-12	I-12
2	2	6	26	-	-	-	2	2
 M8 H 100	 M6 H 95		 M6*20	-	-	-	 H115	 983*1158 983*1358
J-12	K-12	L-12	M-12	N-12	OL/OR-12	P-12	Q-12	R-12
6	4	4	2	-	1 / 1	6	2	24
	 M8*70	 M8	 36 cm 1200 N	-		 M8*20	 730*95*60	 4*15
S-12	T-12	U-12	V-12	W-12	X-12	Y-12	Z-12	AA-12
4	-	1	-	1 / 1	-	-	-	-
 M8	-	 1165 / 1365* 245	-	 5 / 13	-	-	-	-
AB-12	AC-12	AD-12	AE-12	AF-12	AG-12	AH-12	AI-12	AJ-12
-	-	-	-	-	-	-	-	-
-	-	-	-	-	-	-	-	-
   60 min  13 cm  < 120 KG								

Info

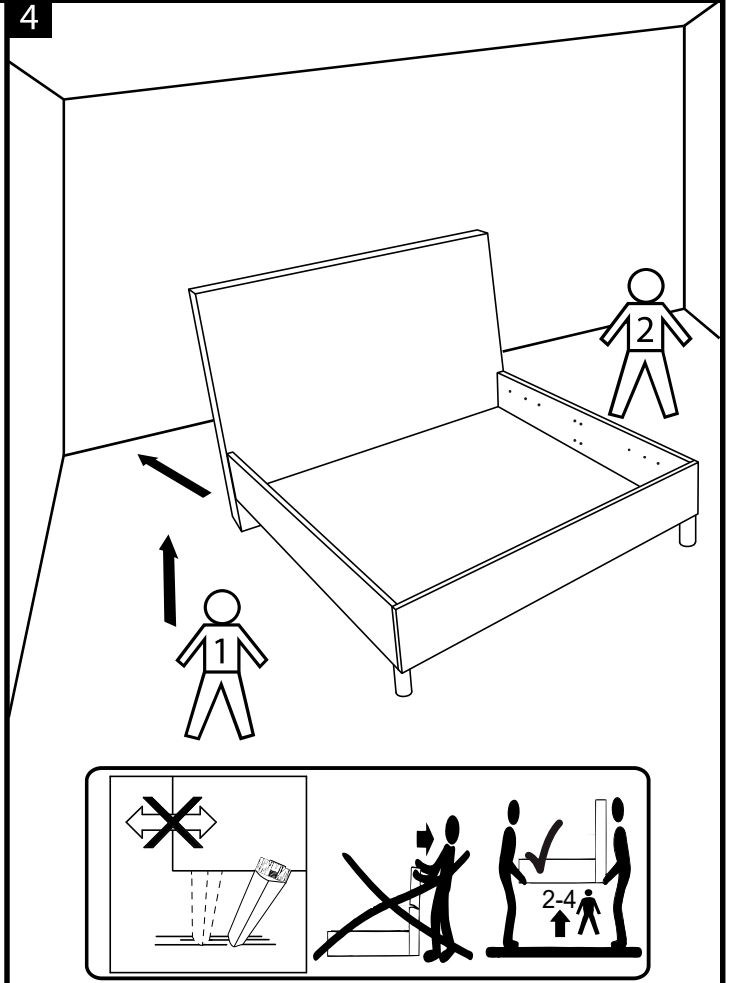




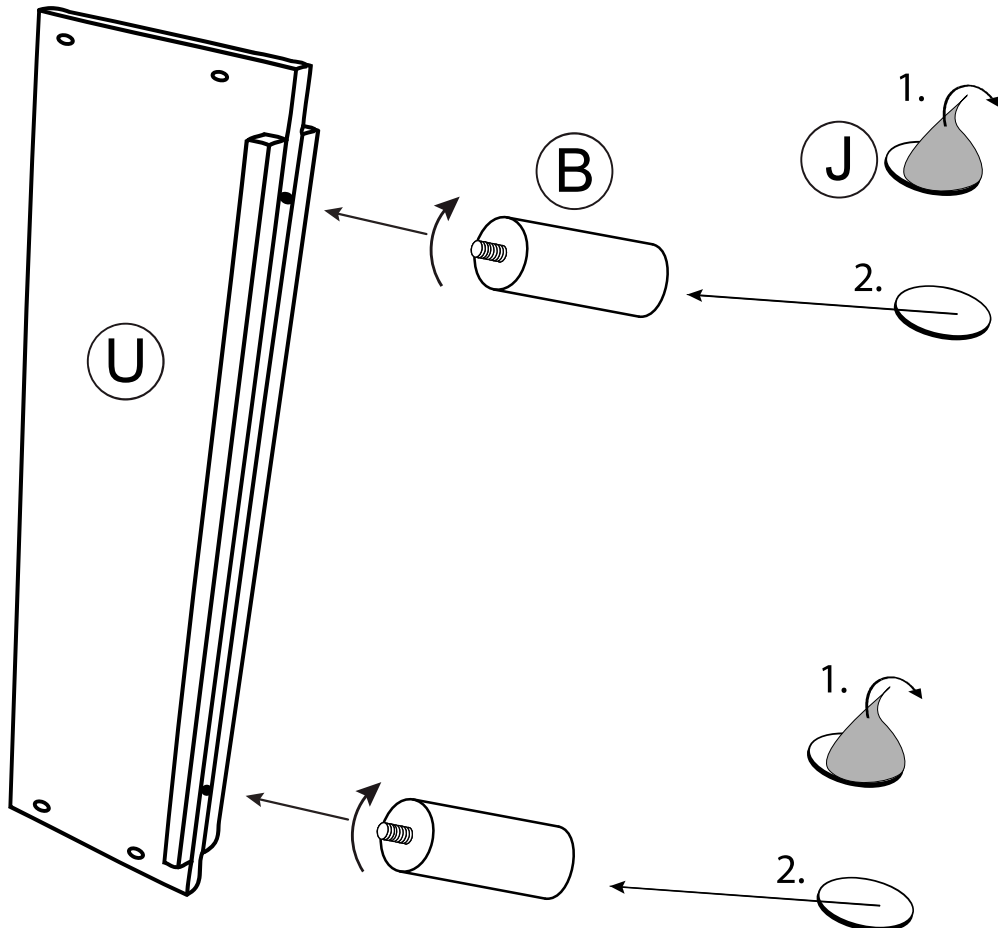
3



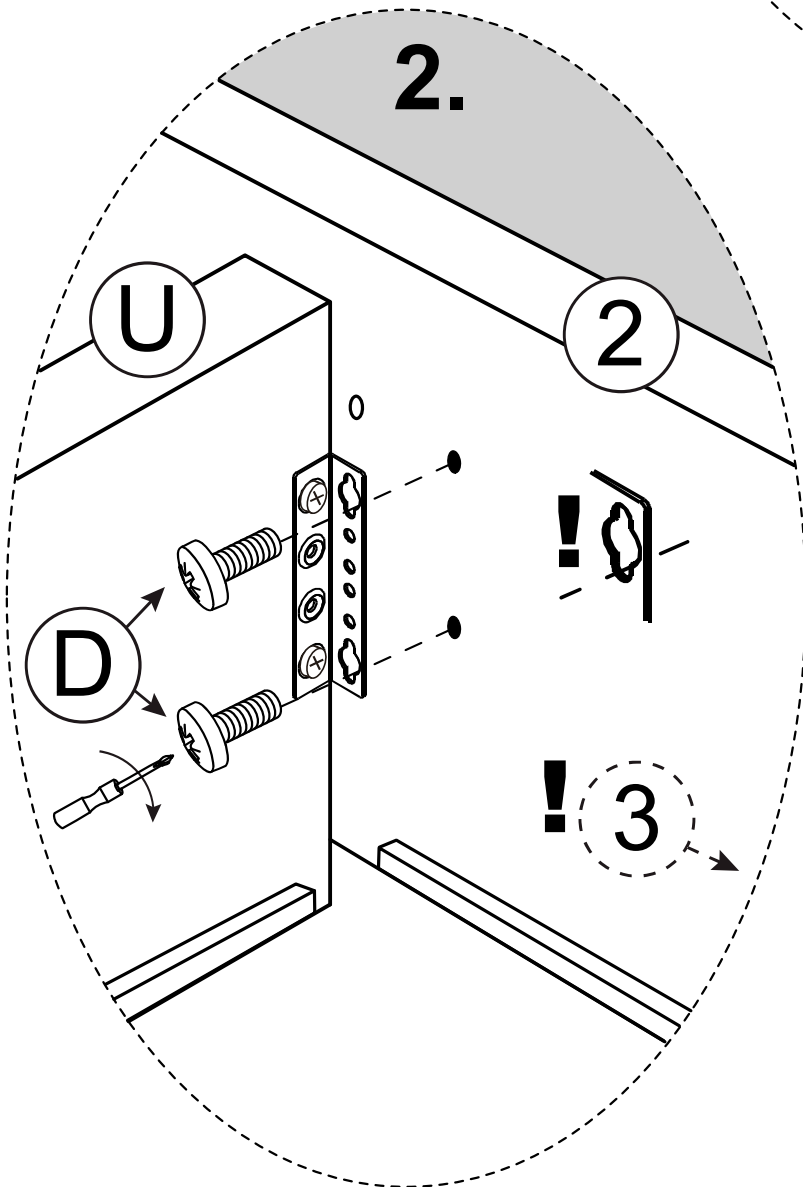
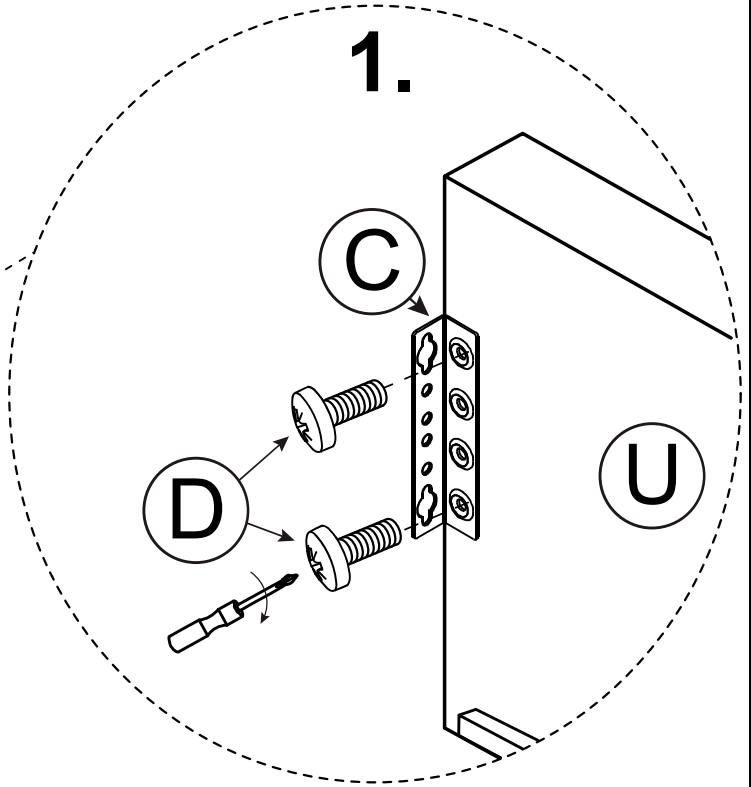
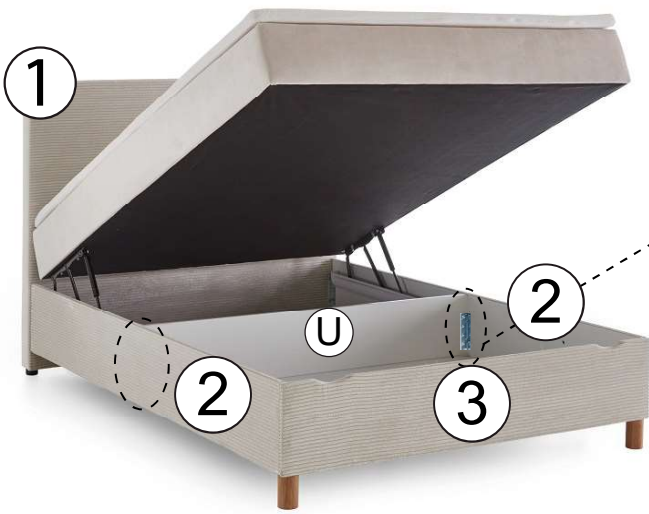
4



5



6



7

1. $2x$ $\begin{matrix} \text{D} \\ \text{H} \\ \text{I} \end{matrix}$

2. $\begin{matrix} \text{M1} = \text{M2} \\ \text{2} / \text{3} = 90^\circ \end{matrix}$

3.

4. $8x R$ $\begin{matrix} \text{M1} \\ \text{M2} \end{matrix}$

5. 5 kg
 ① = <5KG

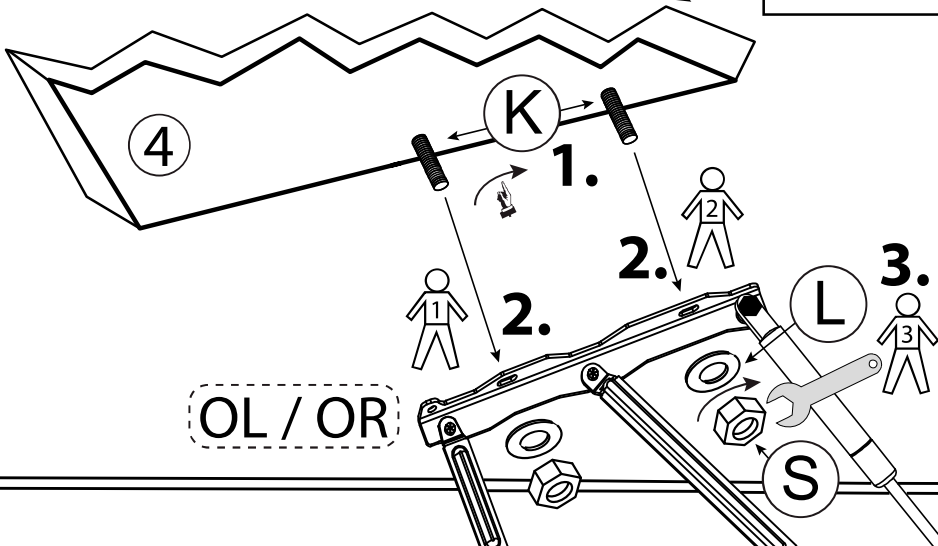
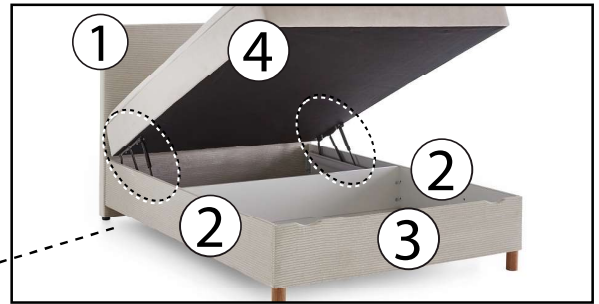
8

1. $\begin{matrix} \text{OL/OR} \\ \text{M} \end{matrix}$

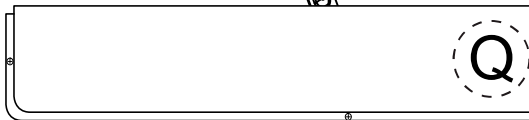
2. $\begin{matrix} \text{OR} \\ \text{P} \\ \text{W} \end{matrix}$

3. $\begin{matrix} \text{OL/OR} \\ \text{Q} \\ \text{2} \\ \text{4x R} \end{matrix}$

9



2



10

