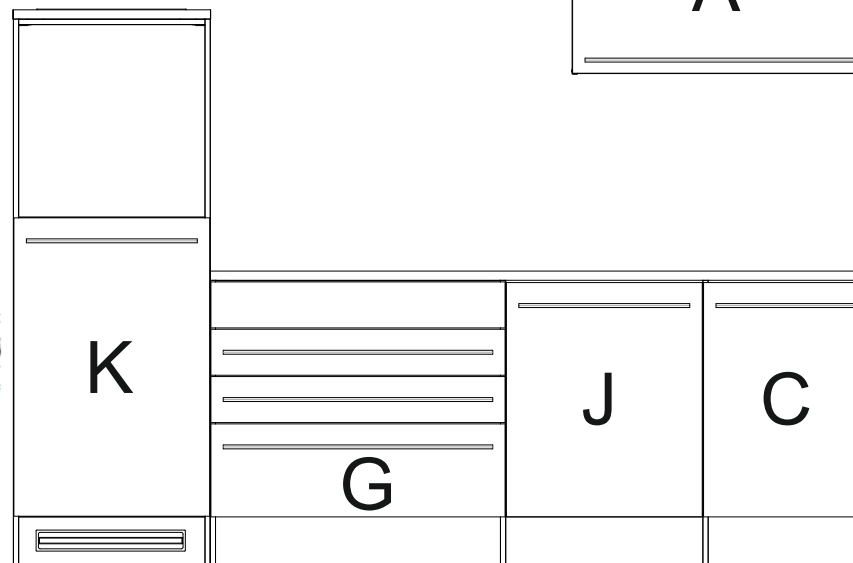
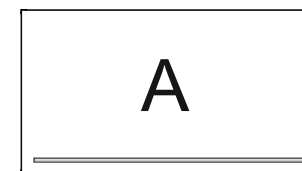
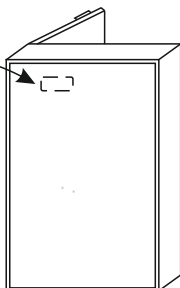


XXXXXXXXXX  
 .....  
 serie: xxx  
 .....  
 Hergestellt für:  
 .....  
 .....



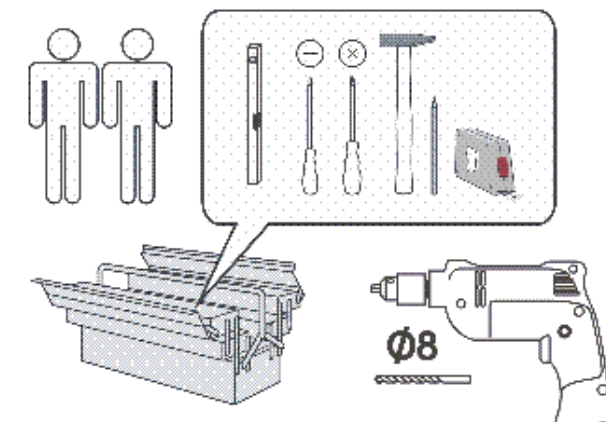
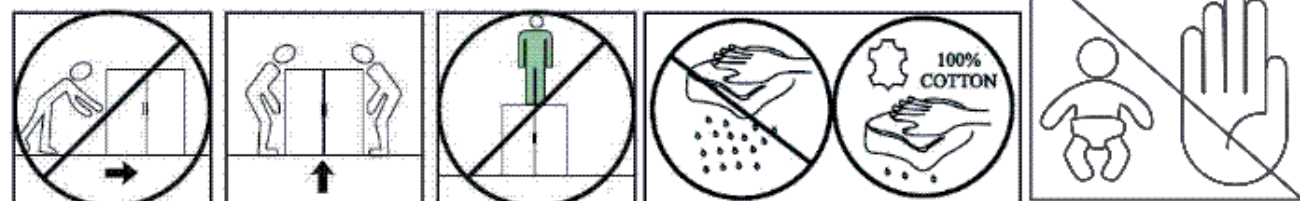
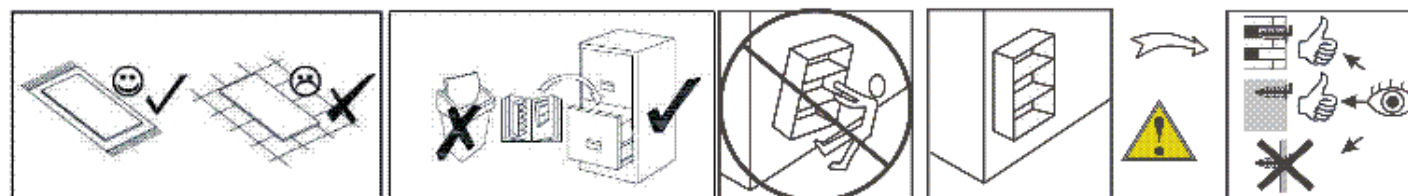
300 min

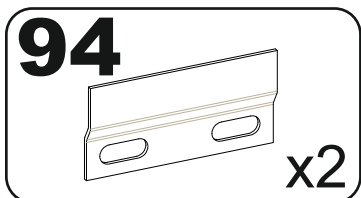
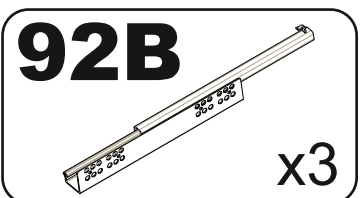
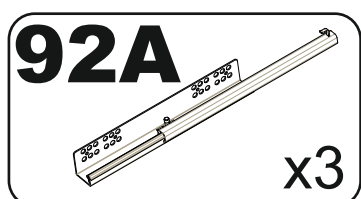
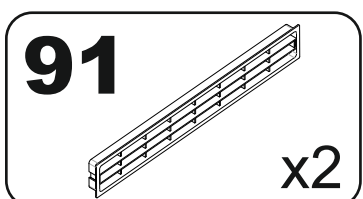
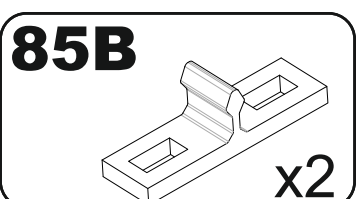
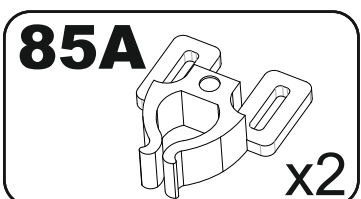
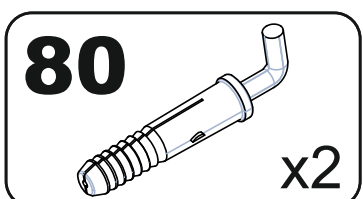
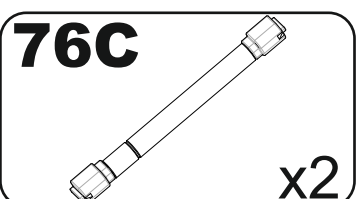
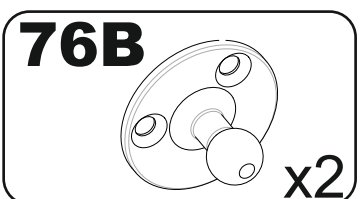
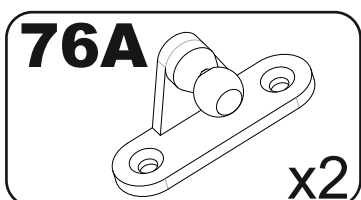
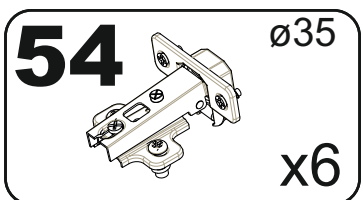
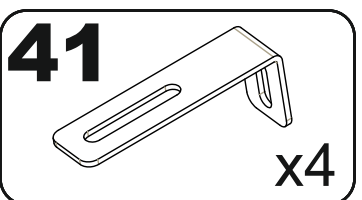
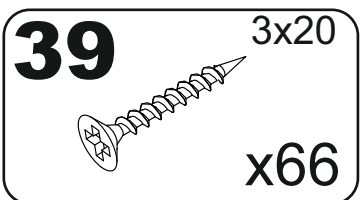
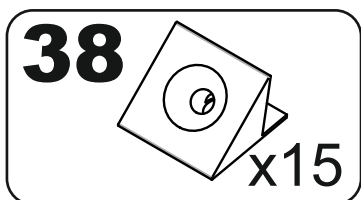
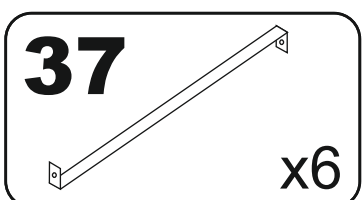
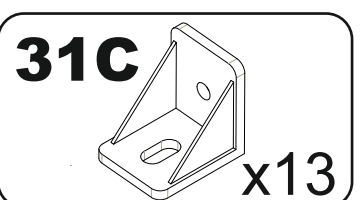
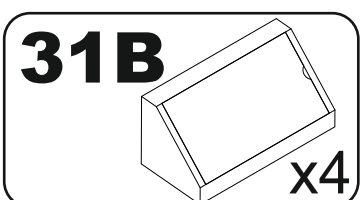
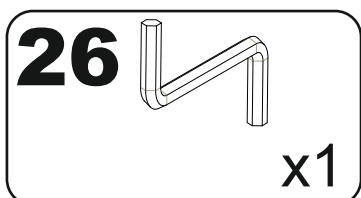
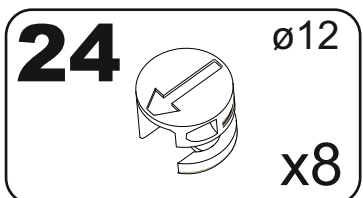
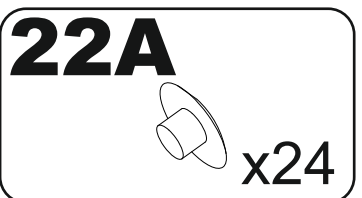
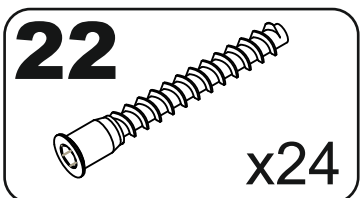
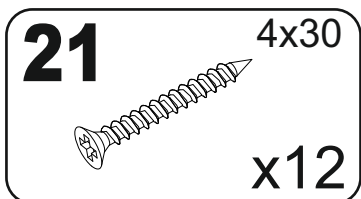
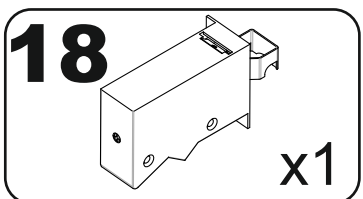
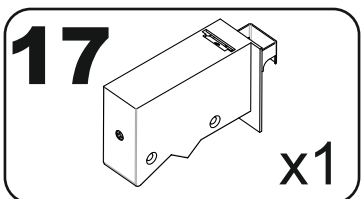
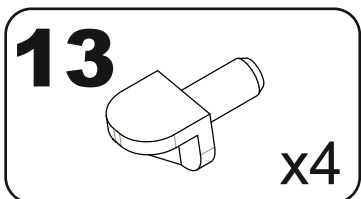
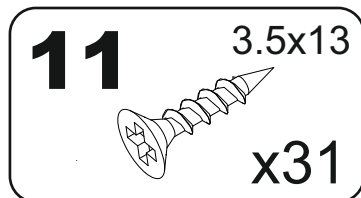
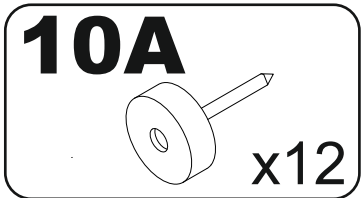
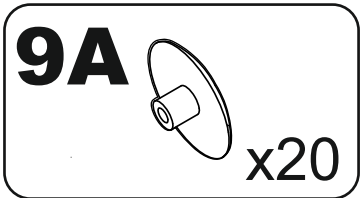
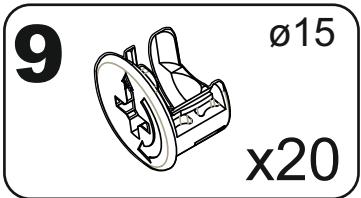
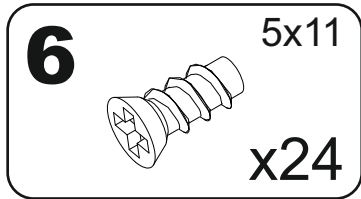
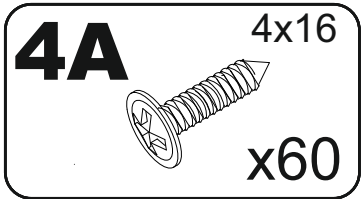
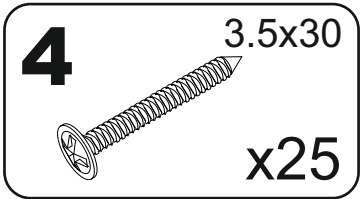
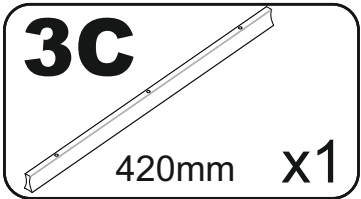
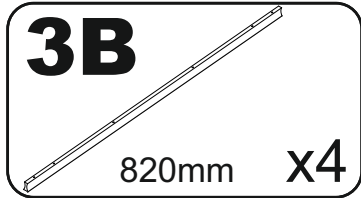
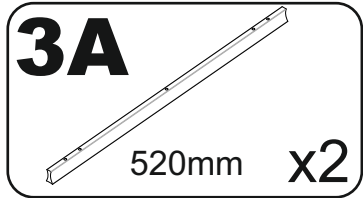
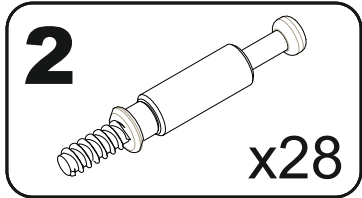
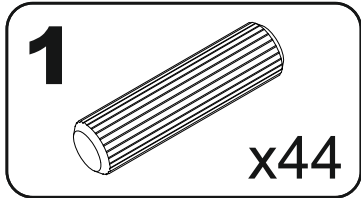


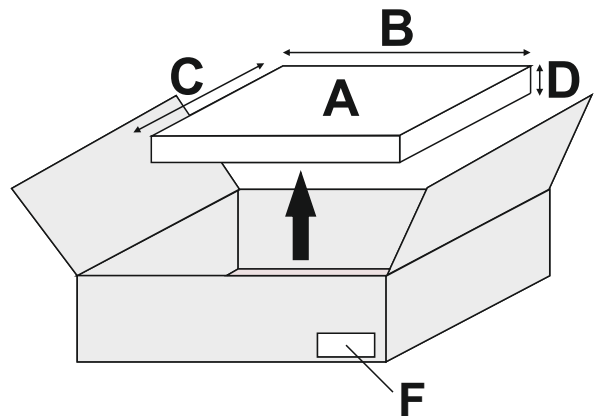
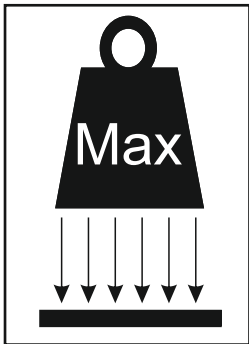
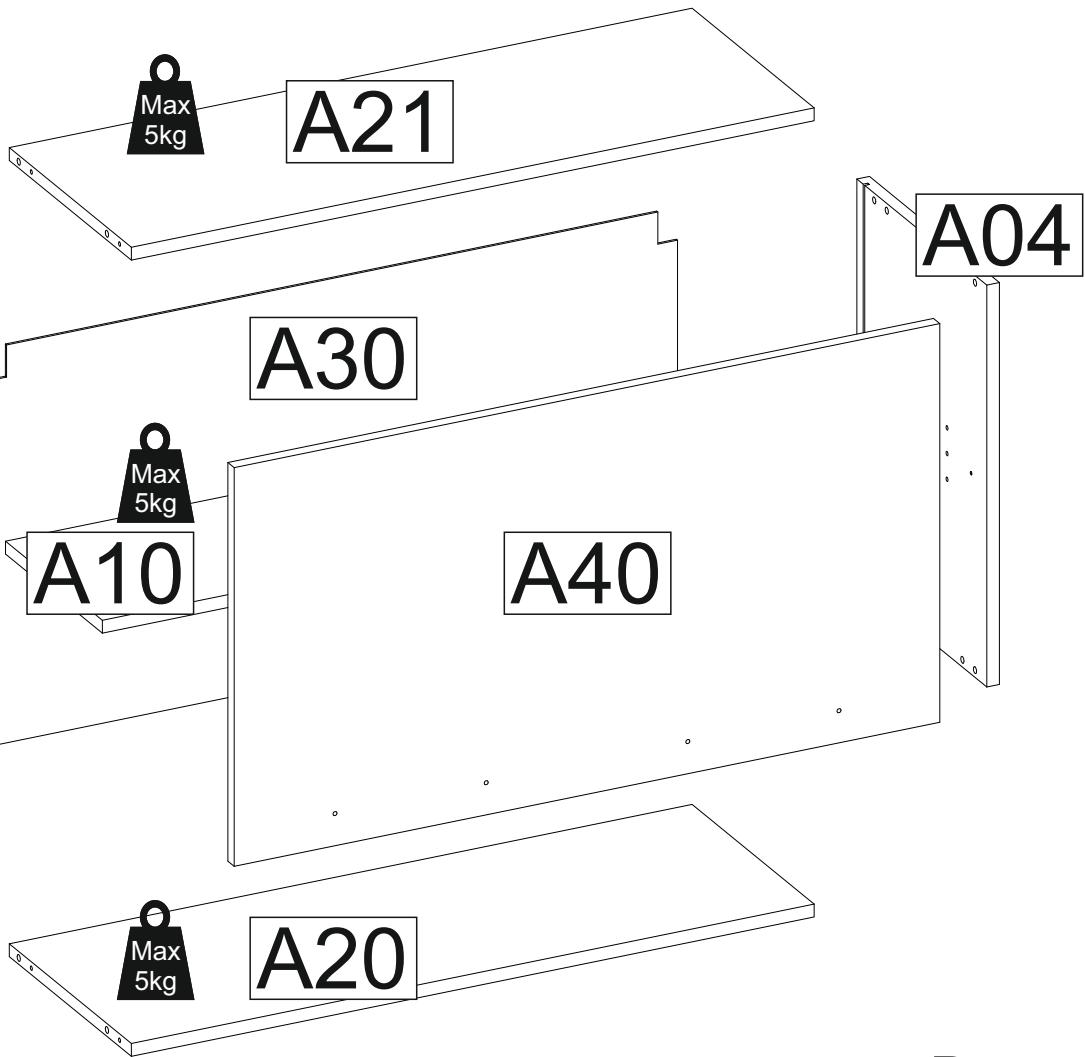
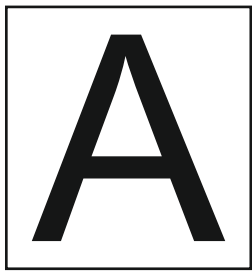
<http://www.bega-gruppe.de>



|    |                |             |
|----|----------------|-------------|
| BG | Bulgarisch     | български   |
| CS | Tschechisch    | čeština     |
| DA | Dänisch        | Dansk       |
| DE | Deutsch        | Deutsch     |
| LI | Litnisch       | lietuvių    |
| EL | Griechisch     | ελληνικά    |
| EN | Englisch       | English     |
| ES | Spanisch       | español     |
| FR | Französisch    | français    |
| FI | Finnisch       | suomalainen |
| HR | Kroatisch      | hrvatski    |
| HU | Ungarisch      | magyar      |
| IT | Italienisch    | italiano    |
| LV | Lettisch       | latviski    |
| LT | Litauisch      | lietuvių    |
| NL | Niederländisch | Nederlands  |
| PL | Polnisch       | Polski      |
| PT | Portugiesisch  | português   |
| RO | Rumänisch      | român       |
| SK | Slowakisch     | slovenský   |
| SI | Slowenisch     | slovensčina |
| SV | Schwedisch     | Svenska     |

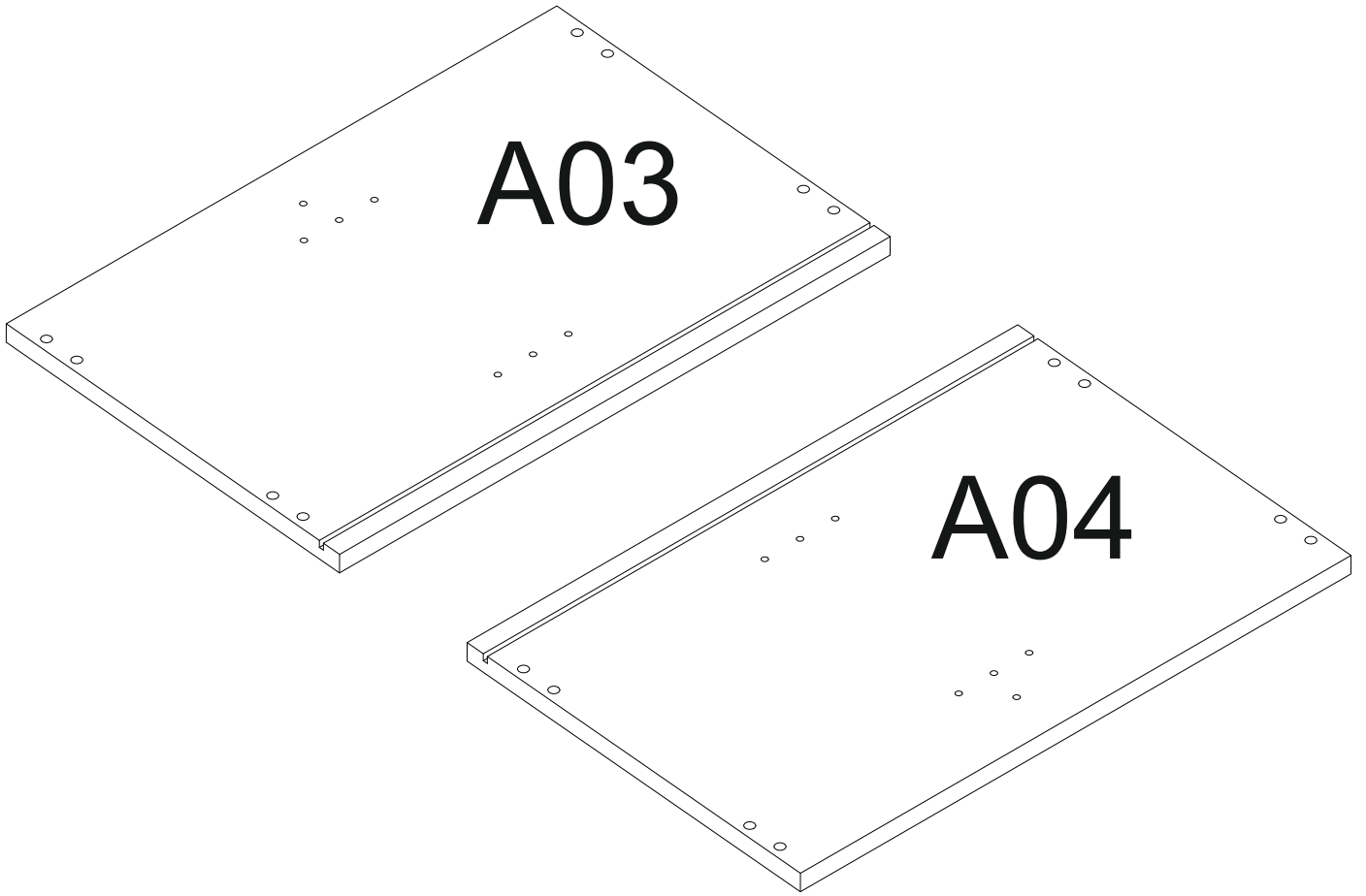




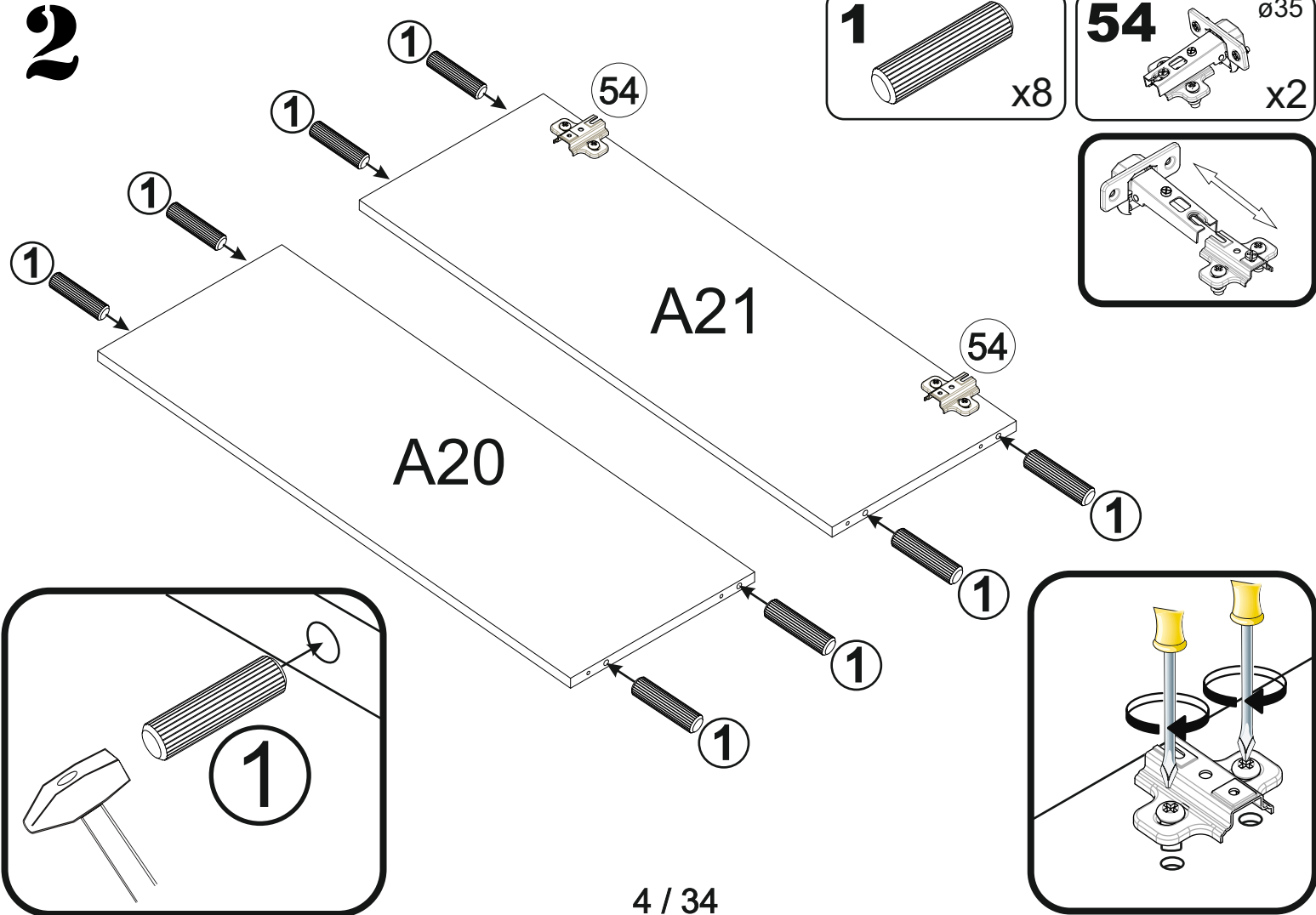


| A   | B_(mm) | C_(mm) | D_(mm) | E | F   |
|-----|--------|--------|--------|---|-----|
| A03 | 500    | 330    | 16     | 1 | 1 6 |
| A04 | 500    | 330    | 16     | 1 | 1 6 |
| A10 | 867    | 246    | 16     | 1 | 1 6 |
| A20 | 867    | 310    | 16     | 1 | 1 6 |
| A21 | 867    | 310    | 16     | 1 | 1 6 |
| A30 | 495    | 877    | 3      | 1 | 1 6 |
| A40 | 896    | 496    | 16     | 1 | 1 6 |

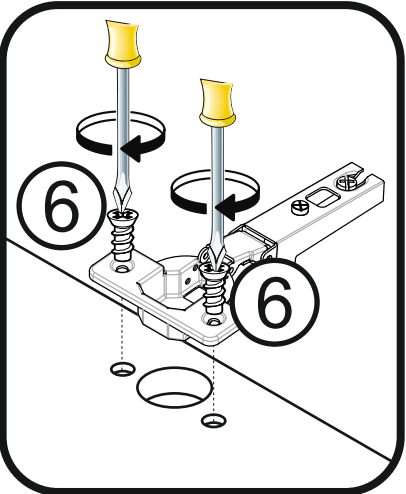
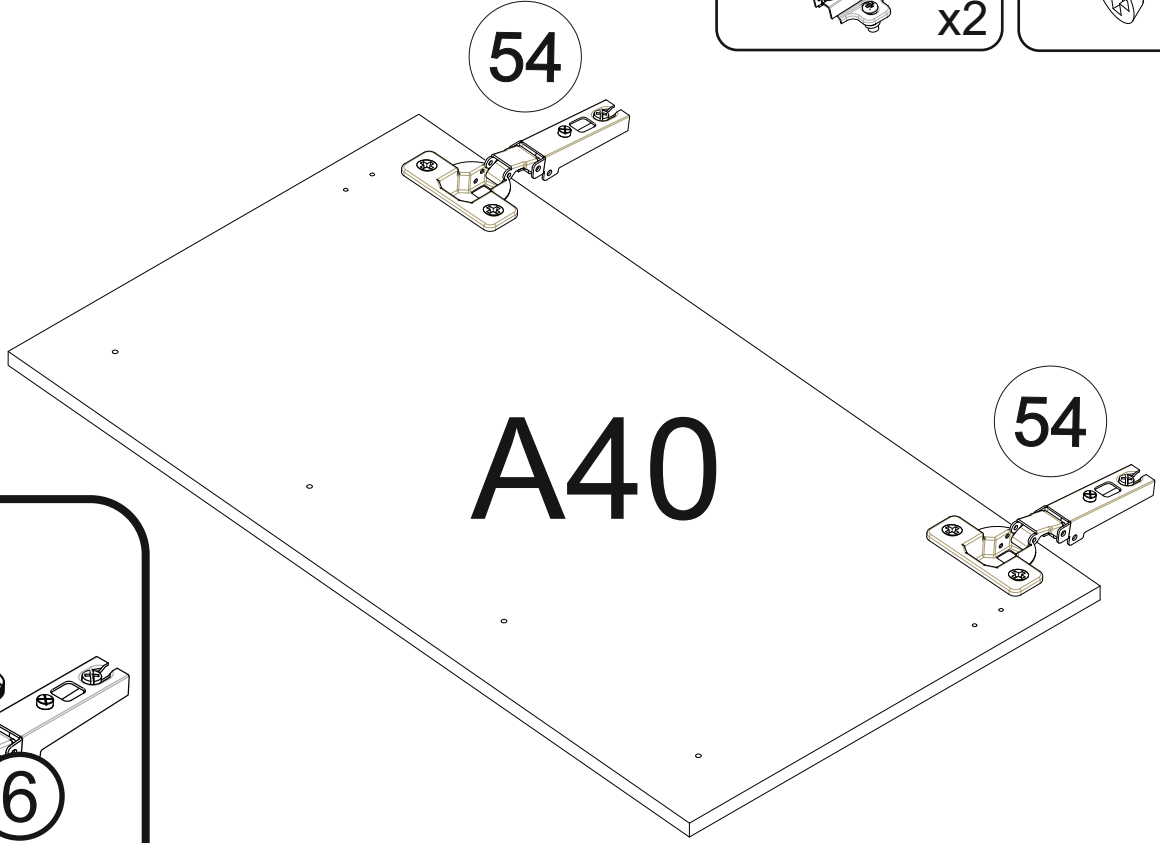
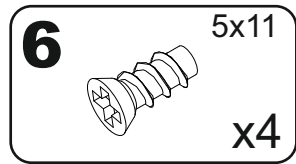
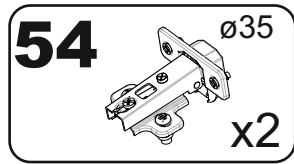
**1**



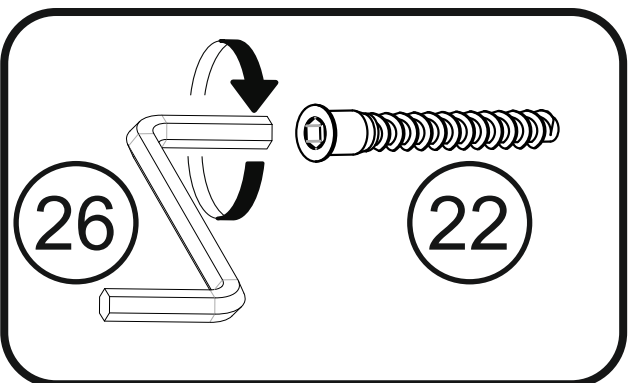
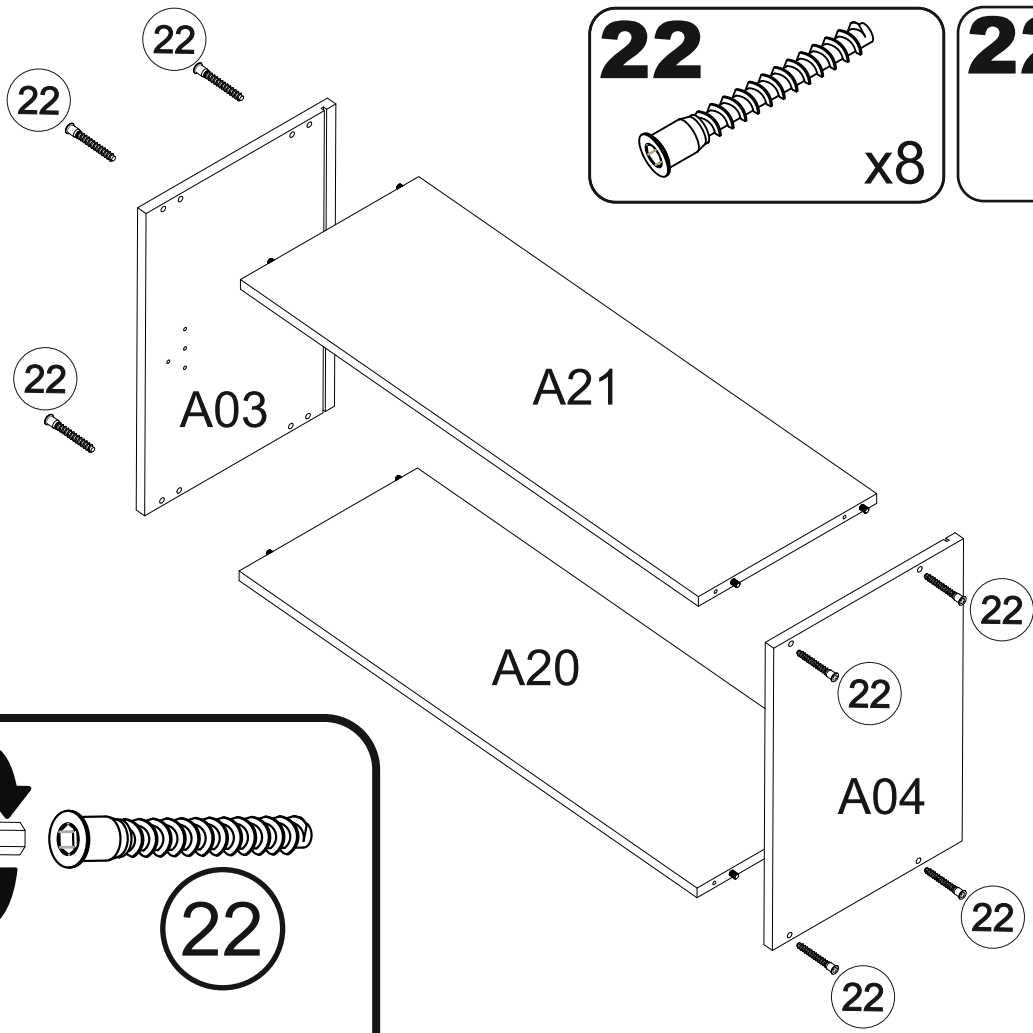
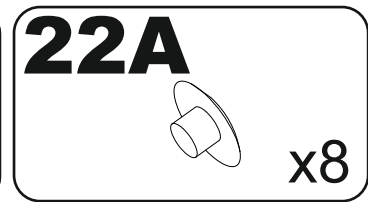
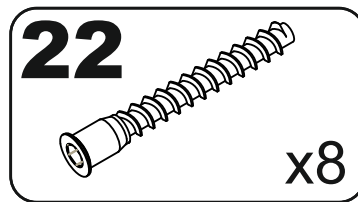
**2**



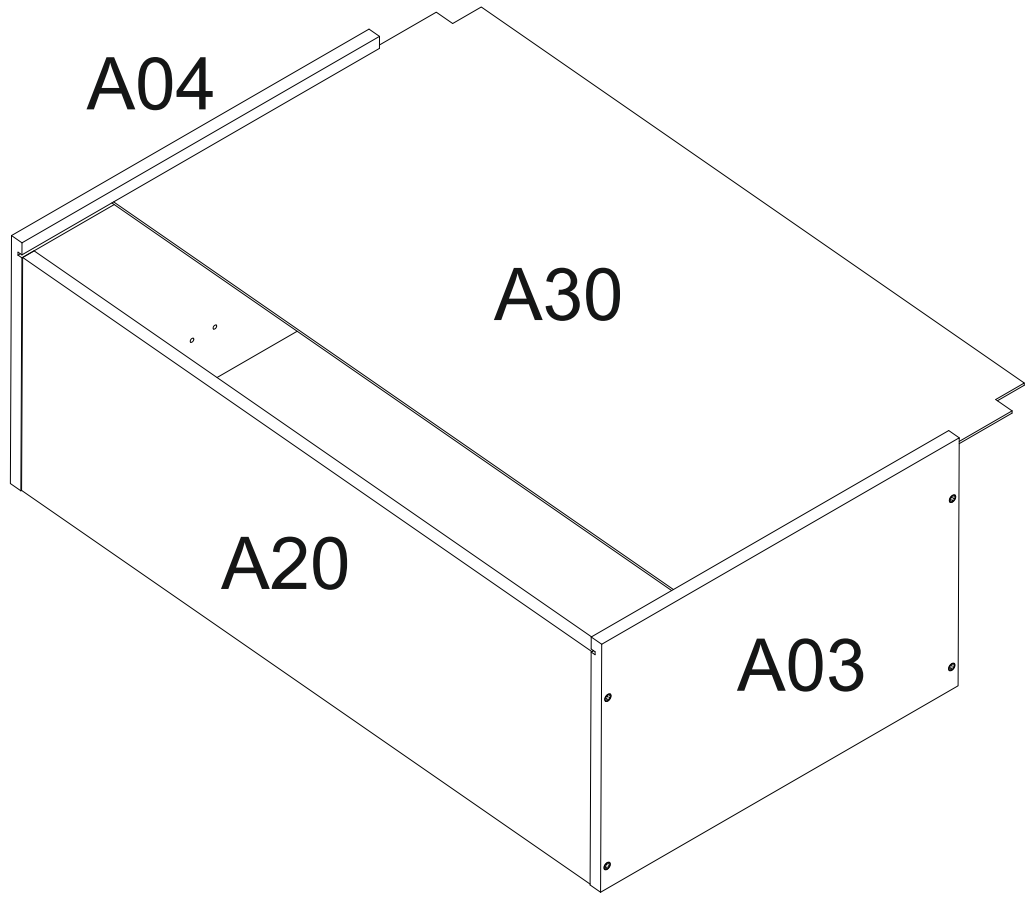
# 3



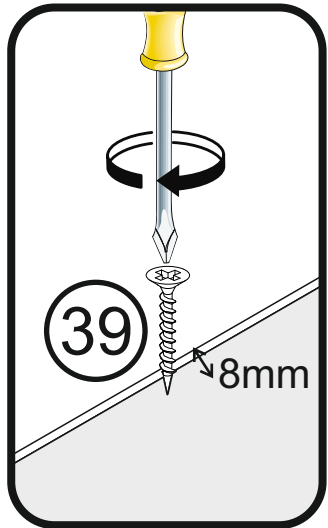
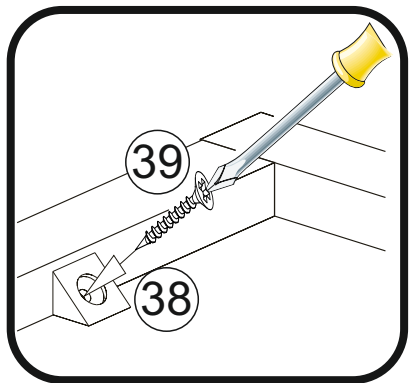
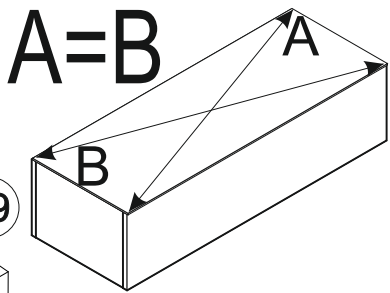
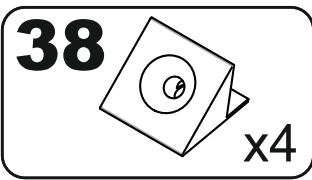
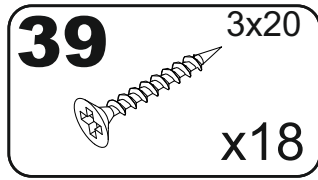
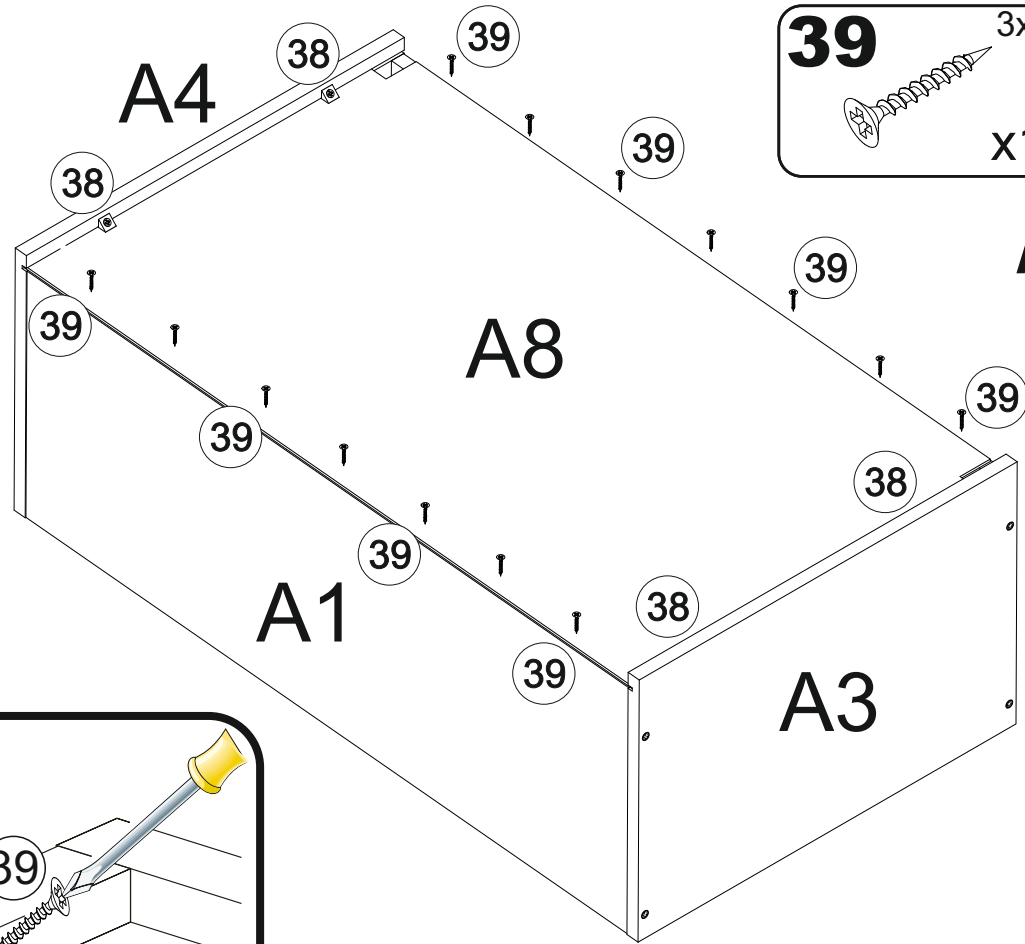
# 4



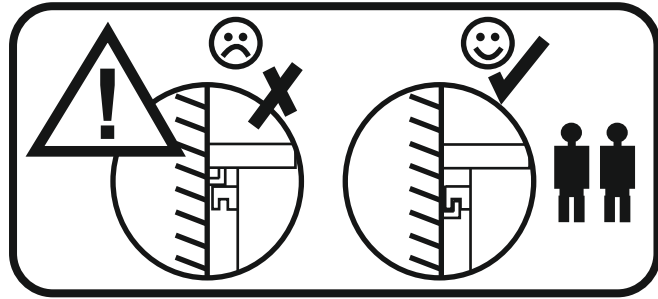
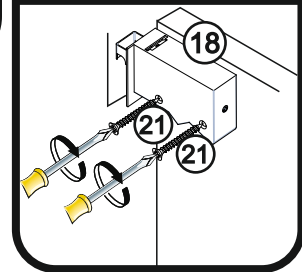
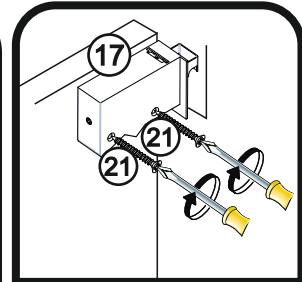
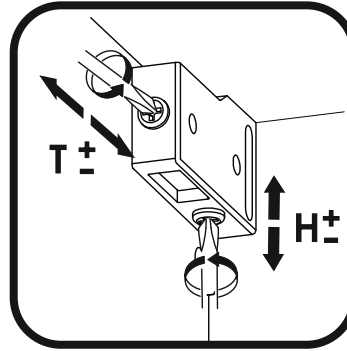
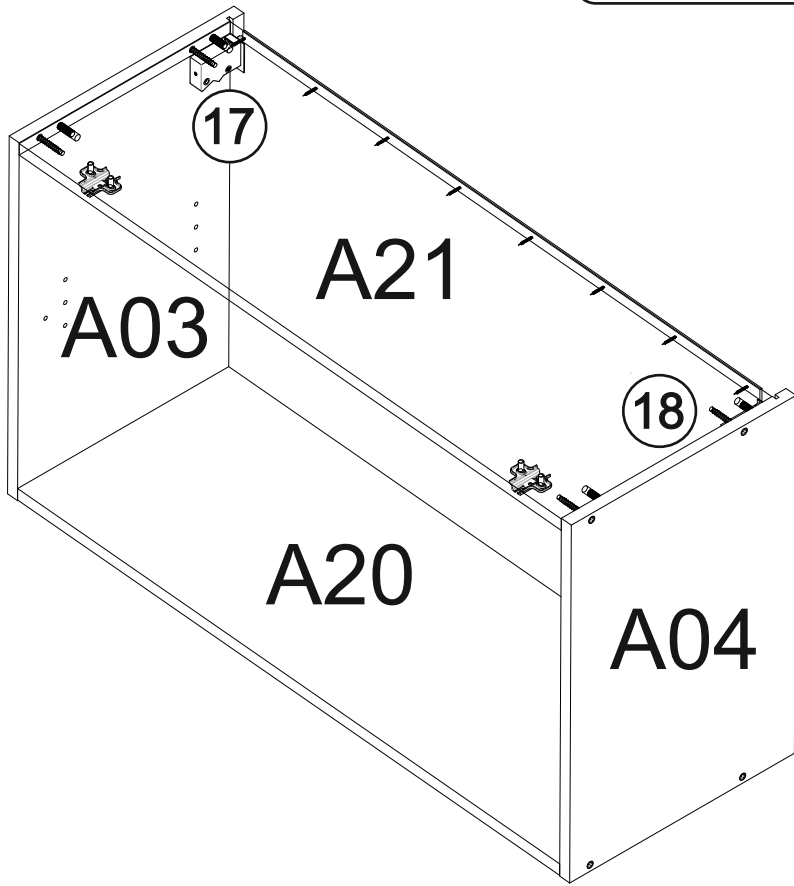
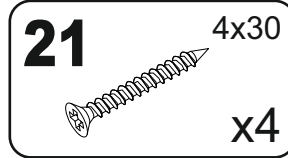
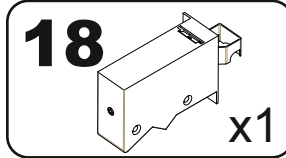
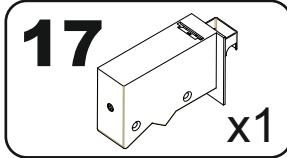
5



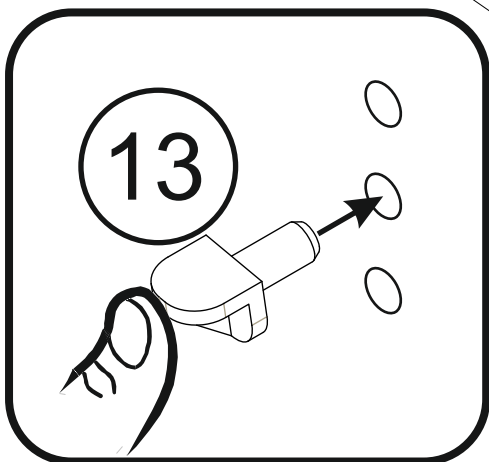
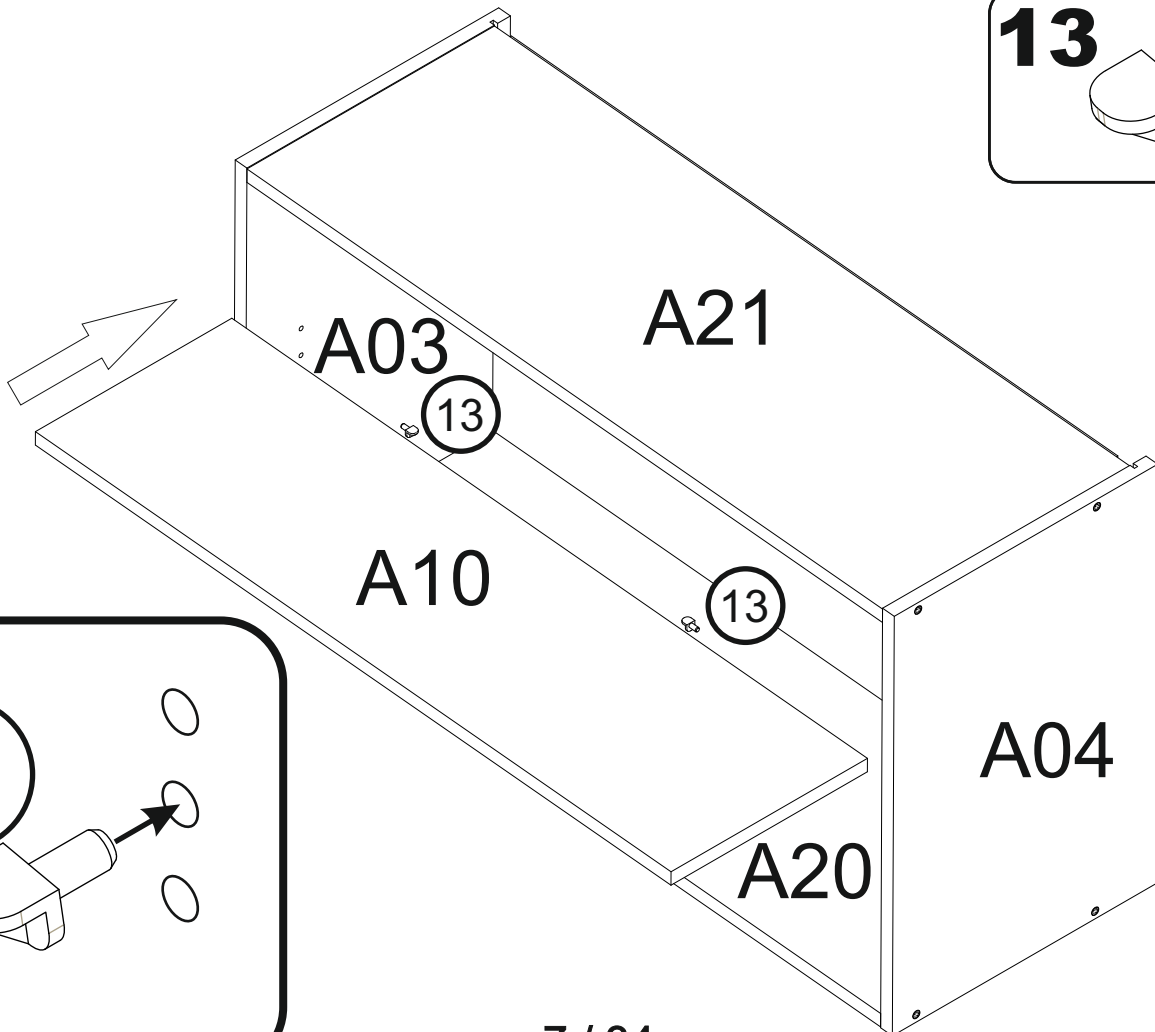
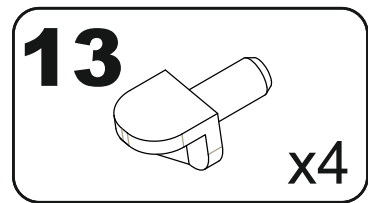
6



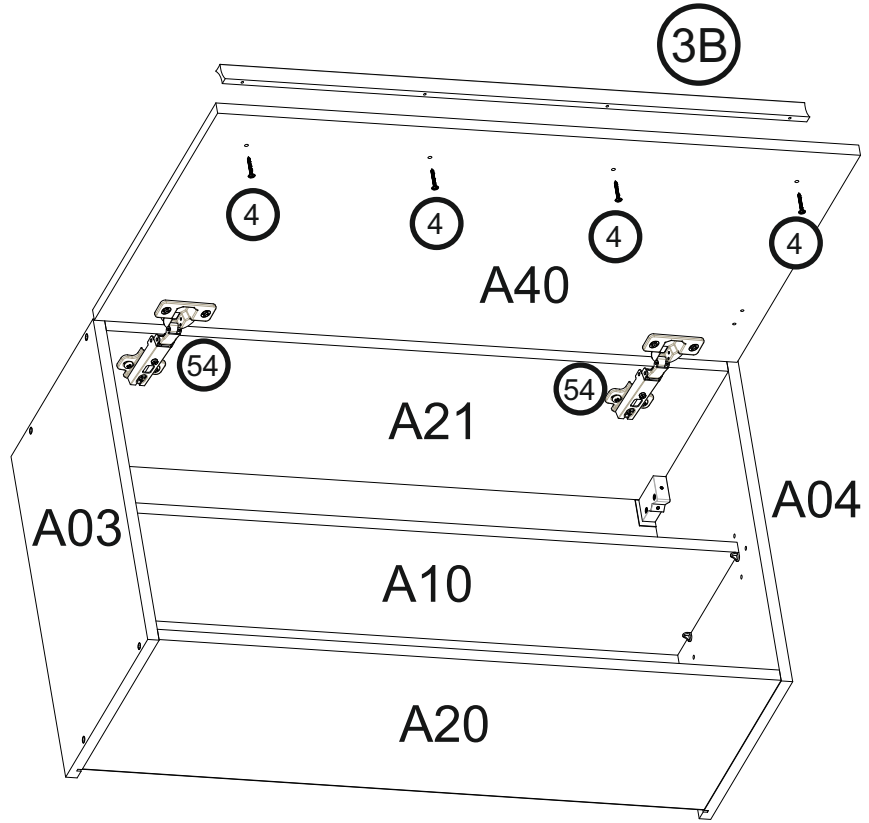
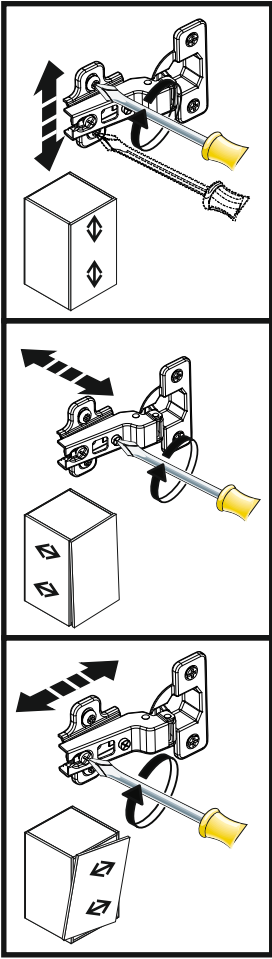
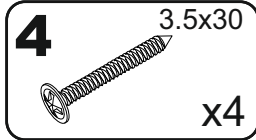
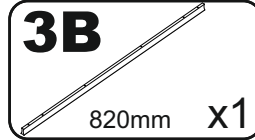
7



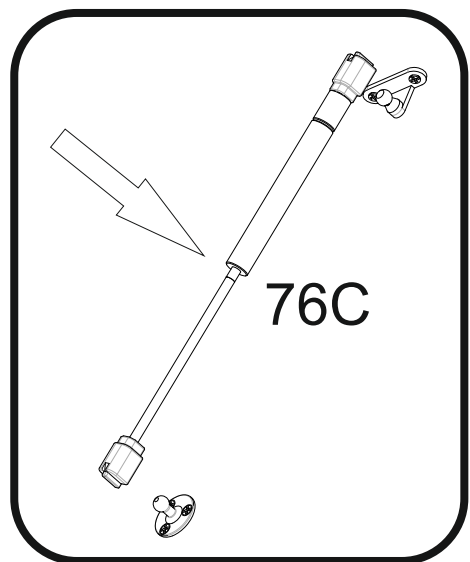
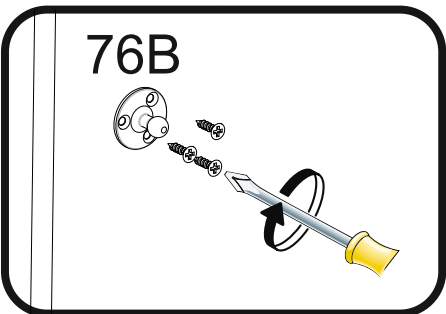
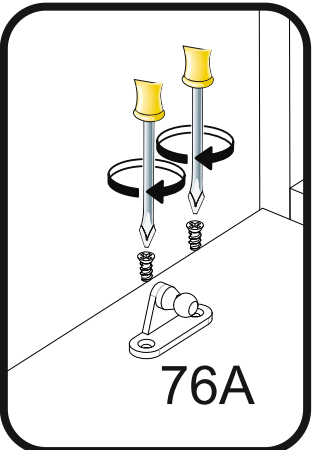
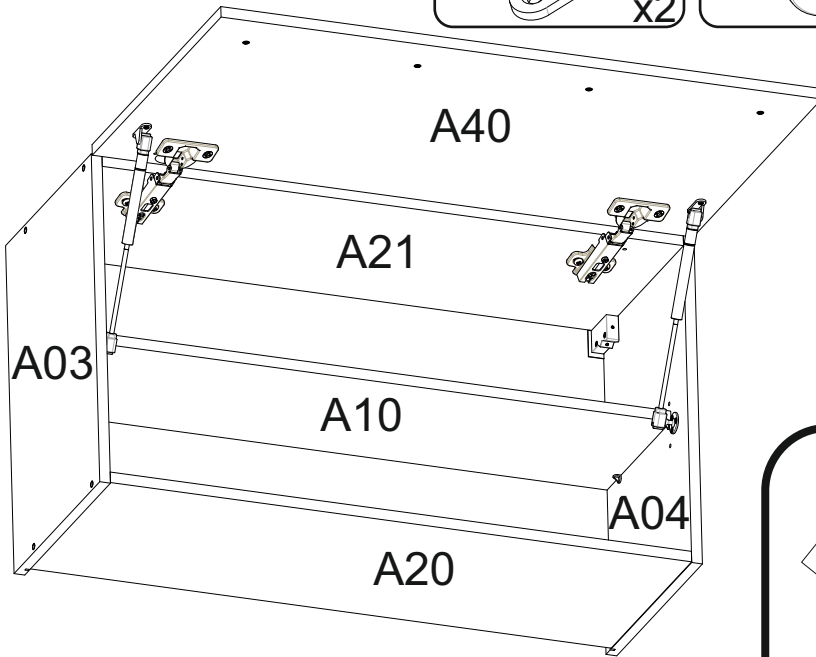
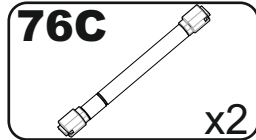
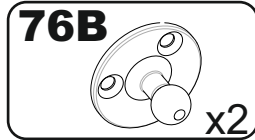
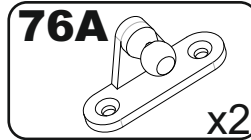
8



# 9

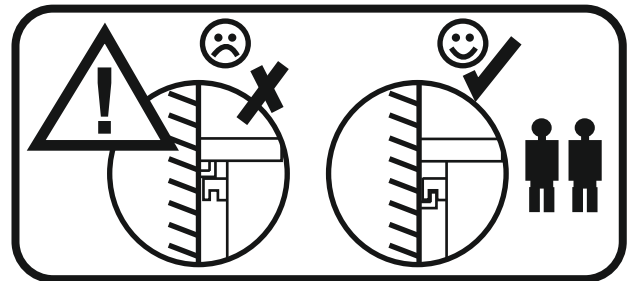
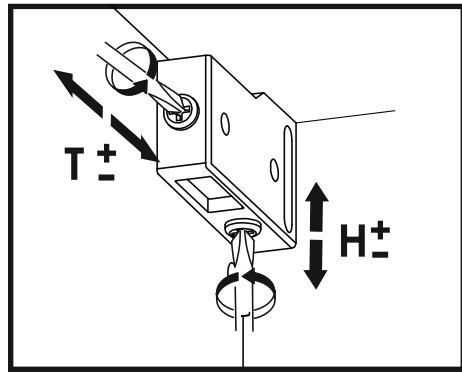
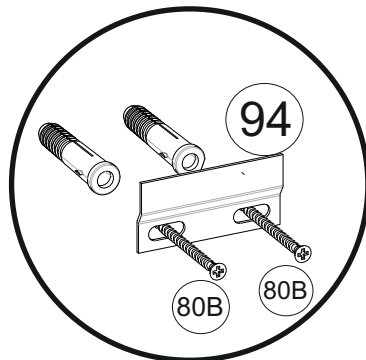
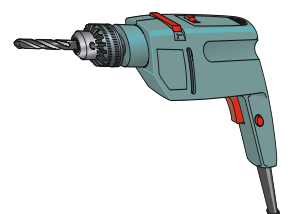
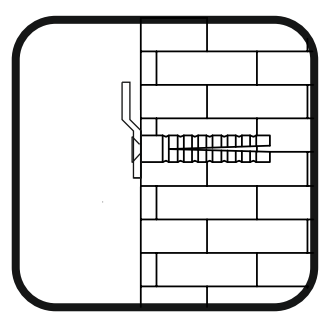
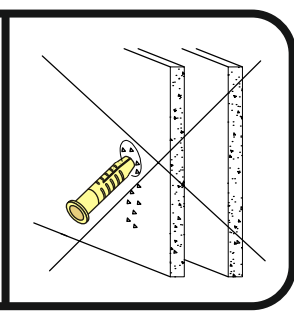
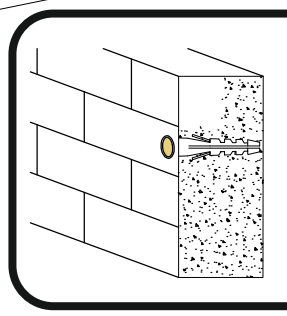
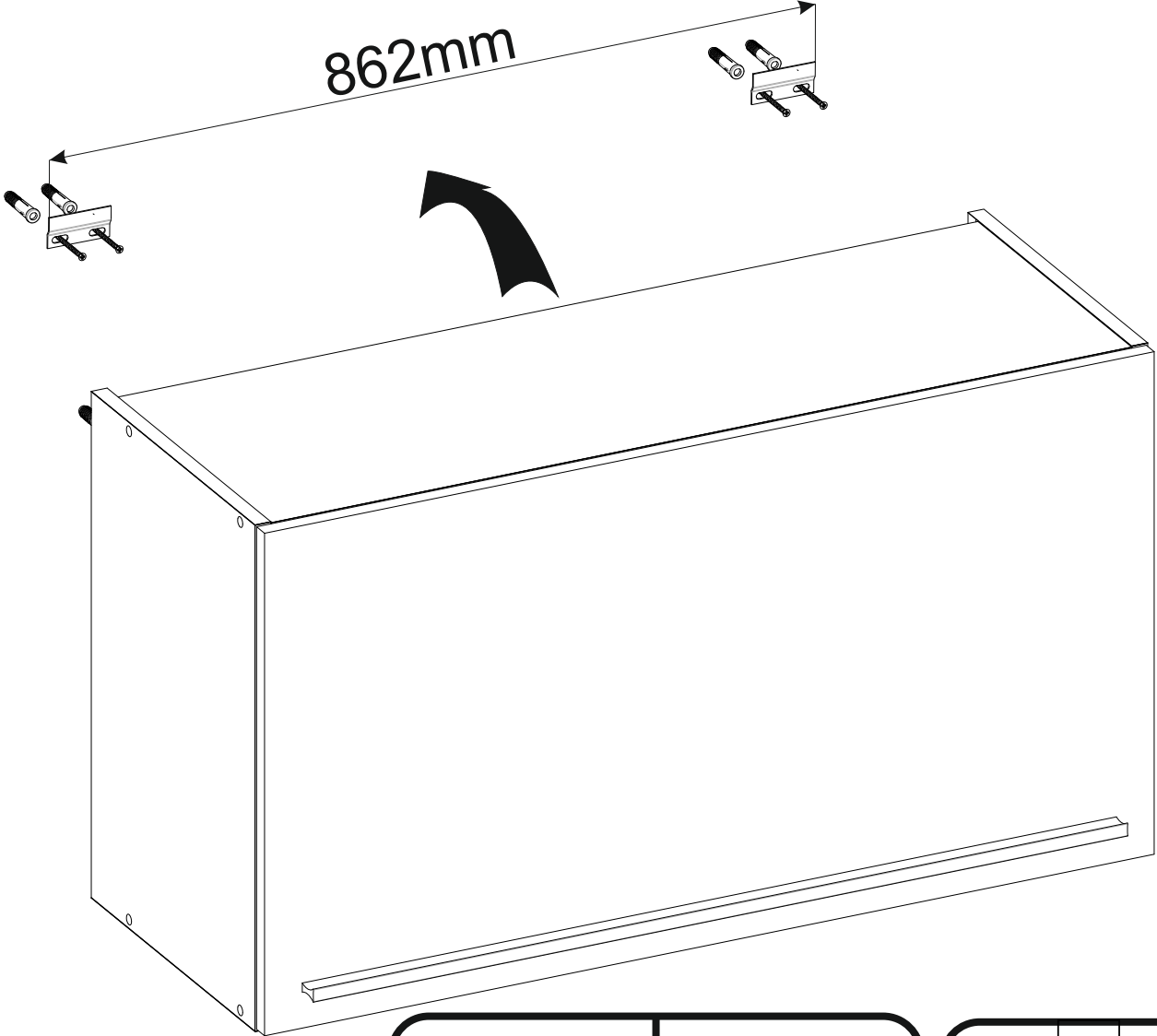
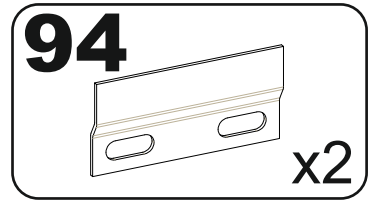
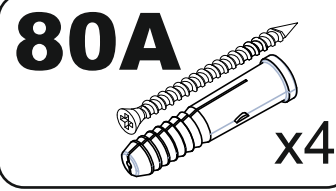


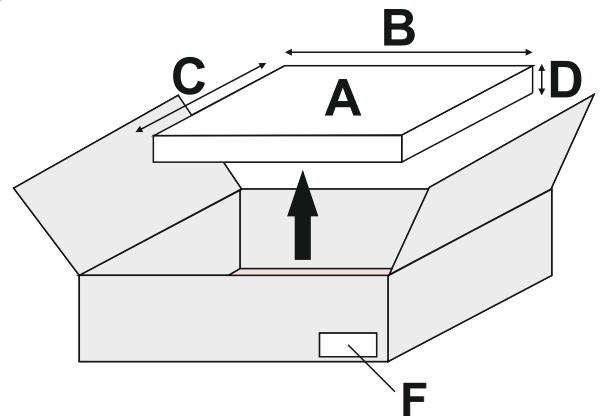
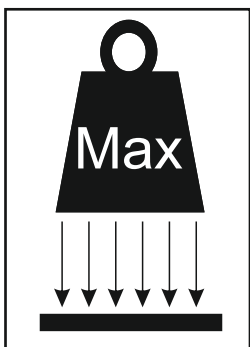
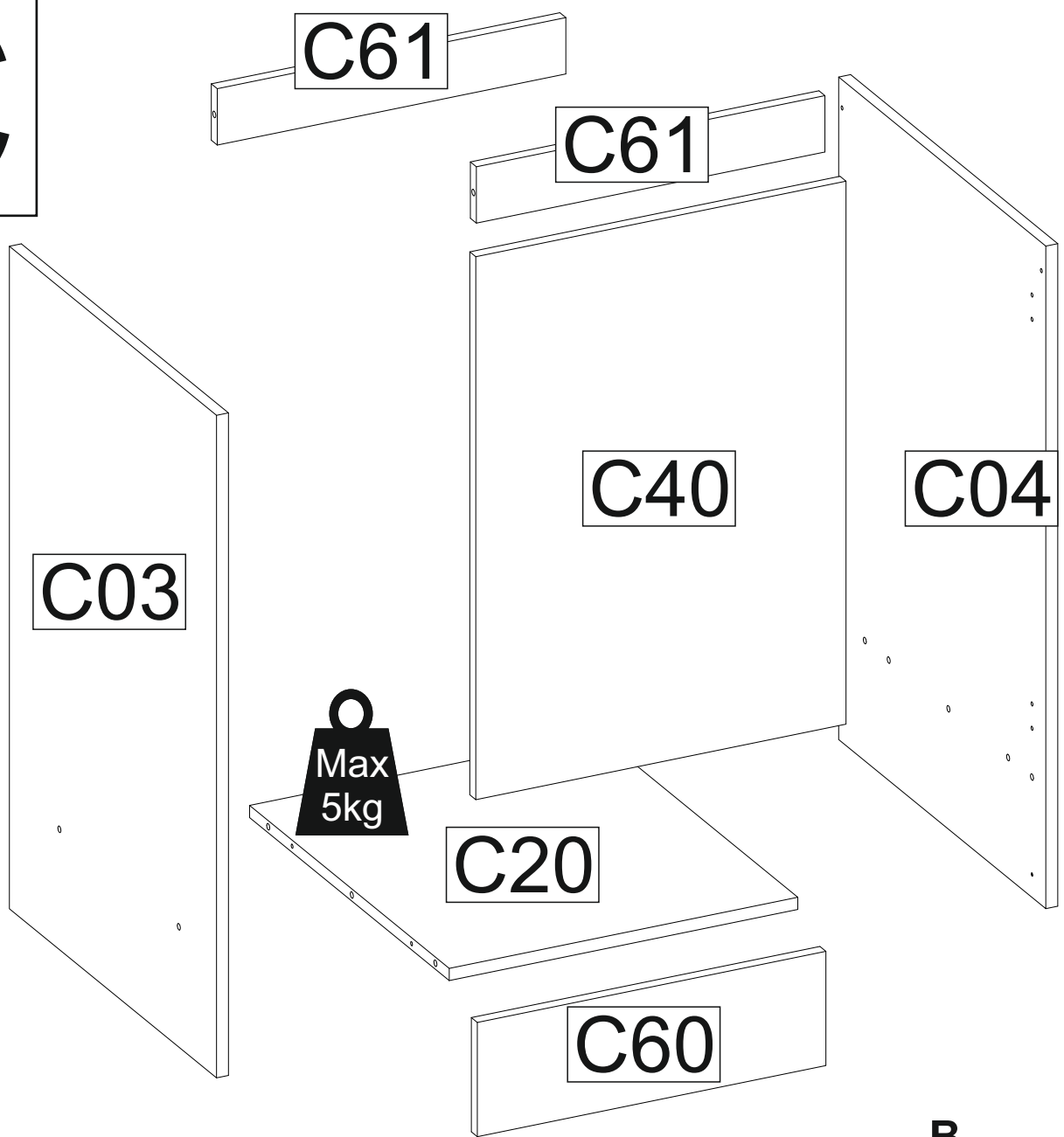
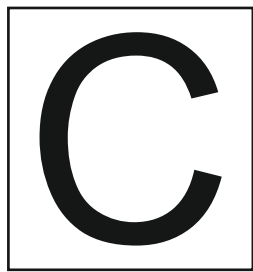
# 10





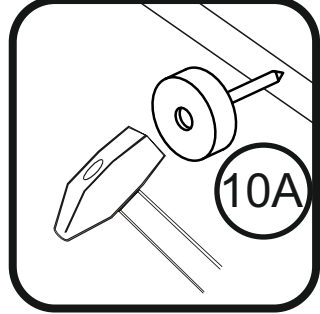
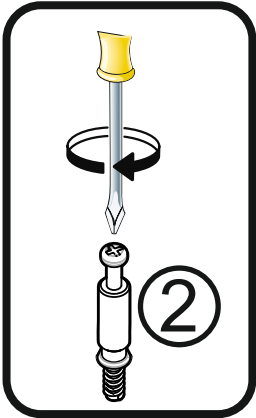
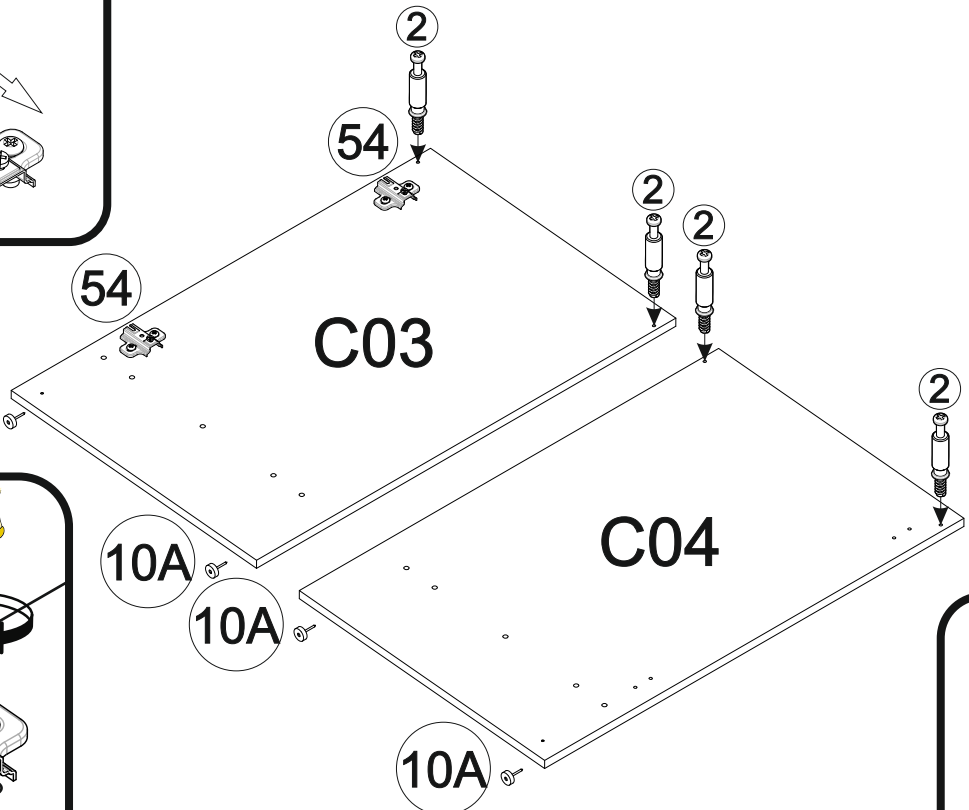
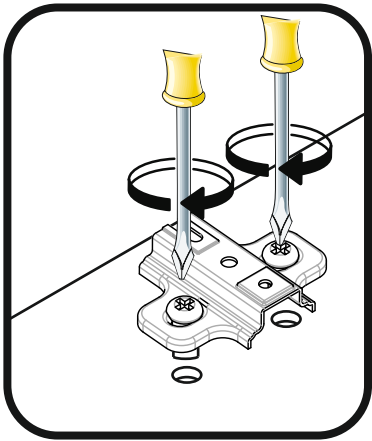
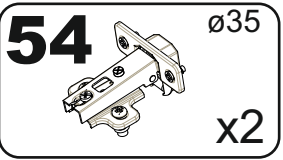
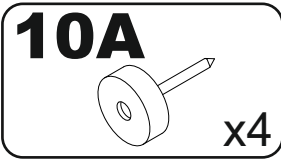
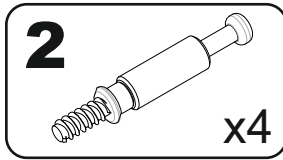
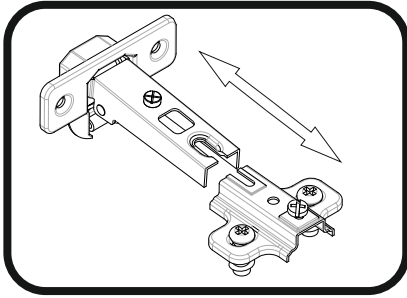
# 11



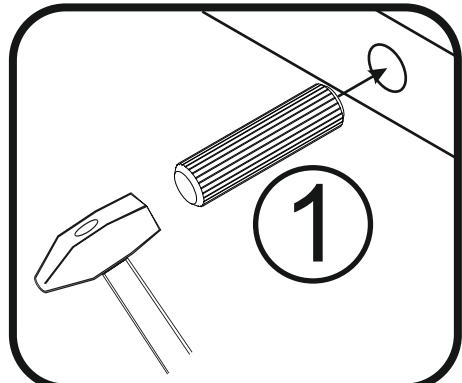
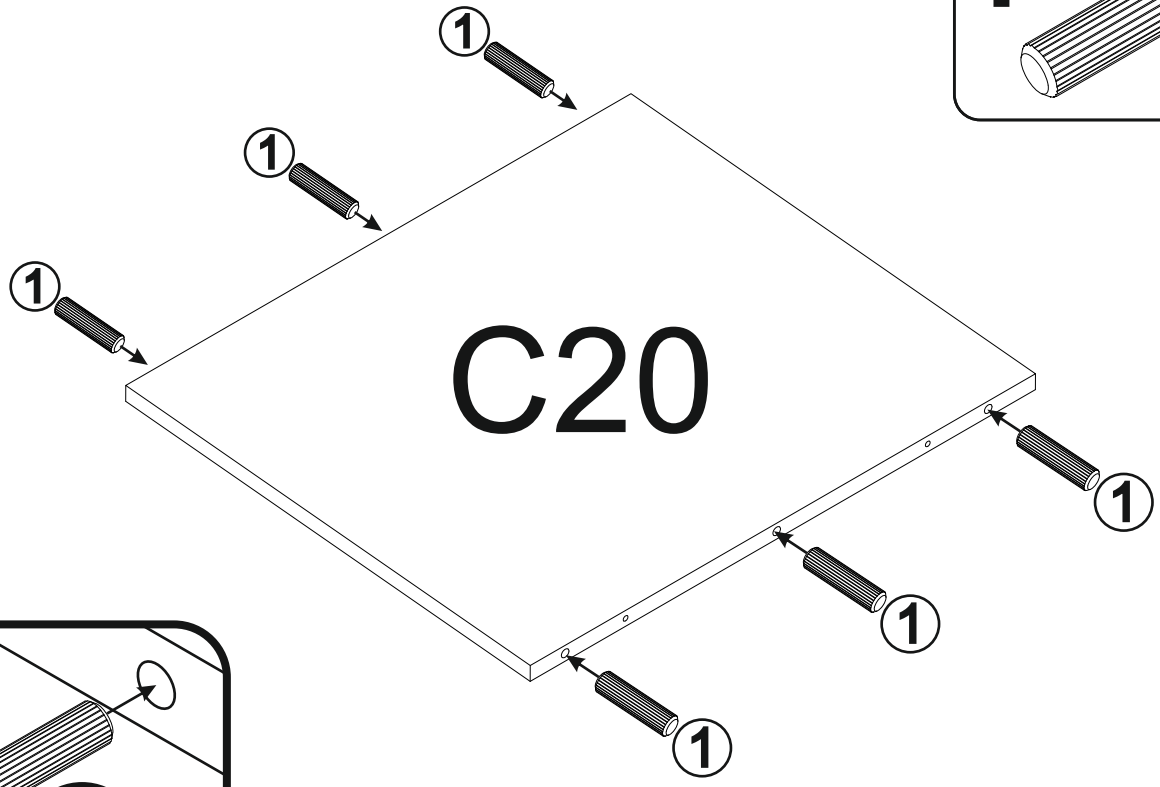
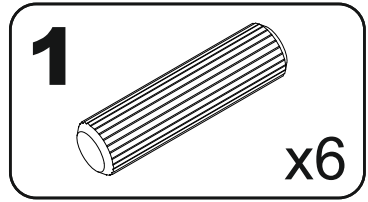


| A   | B (mm) | C (mm) | D (mm) | E | F   |
|-----|--------|--------|--------|---|-----|
| C03 | 870    | 555    | 16     | 1 | 3/6 |
| C04 | 870    | 555    | 16     | 1 | 3/6 |
| C20 | 467    | 535    | 16     | 1 | 3/6 |
| C40 | 713    | 496    | 16     | 1 | 3/6 |
| C60 | 467    | 150    | 16     | 1 | 3/6 |
| C61 | 467    | 74     | 16     | 2 | 3/6 |

# 1

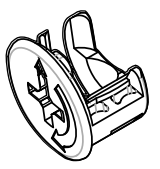


# 2



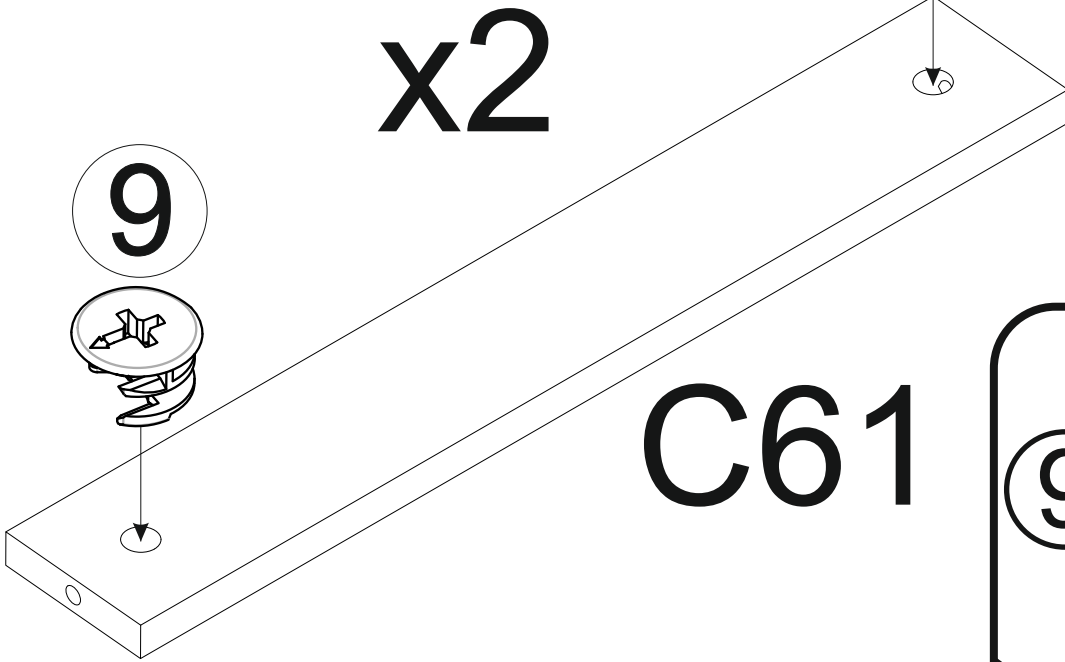
**3**

**9**

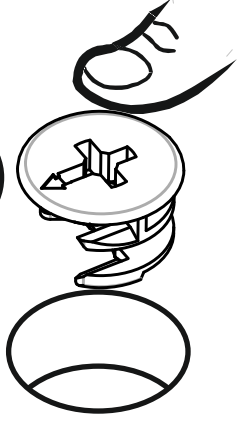
**9**   $\varnothing 15$   
x4

**9**

x2

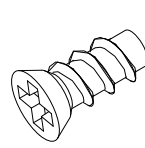


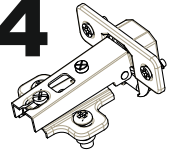
**C61**

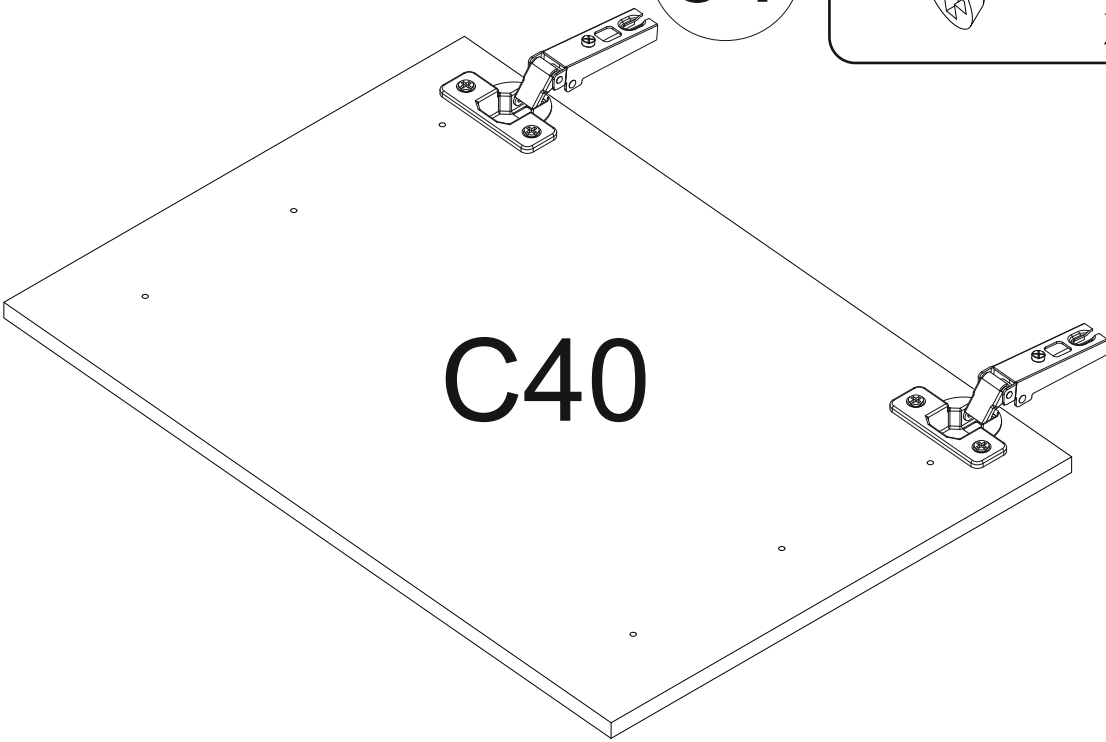
**9** 

**4**

**54**

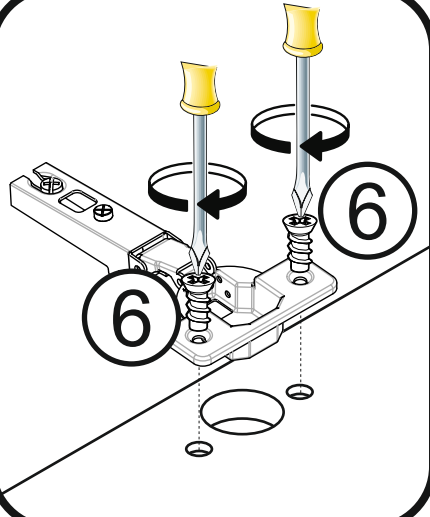
**6**  5x11  
x4

**54**   $\varnothing 35$   
x2

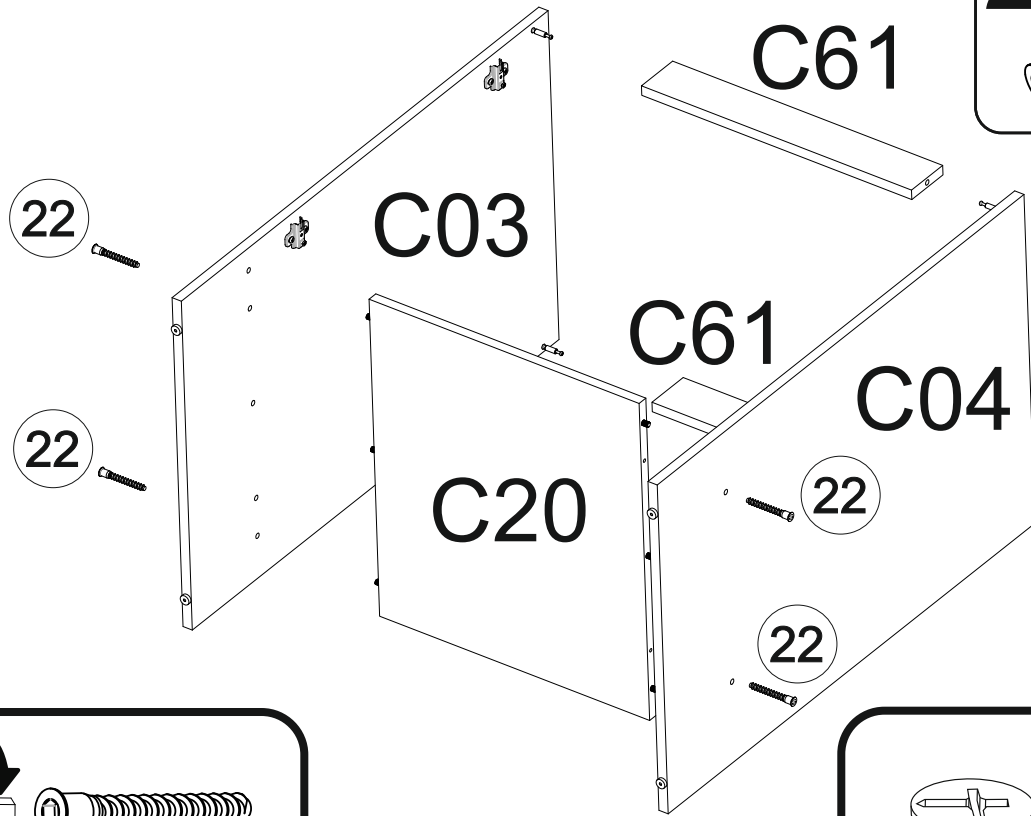


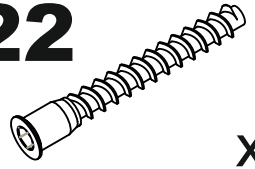
**C40**



**54**

**6** 

# 5

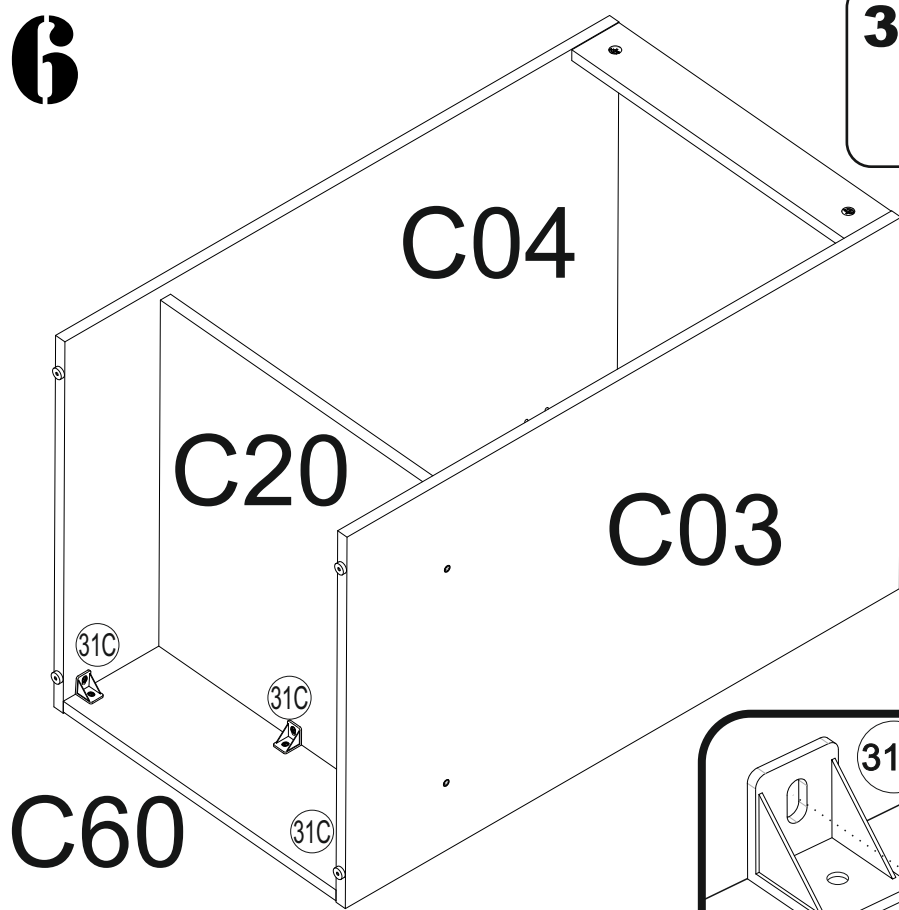


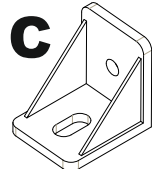
**22**  x4

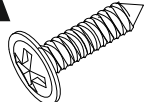
**26**  **22** 

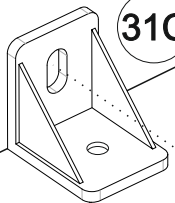

Inset diagram showing a circular component being inserted into a hole in a panel. An arrow indicates the direction of insertion.

# 6



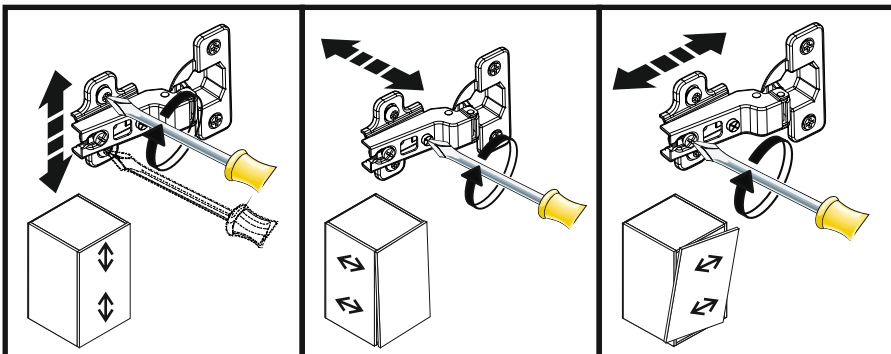
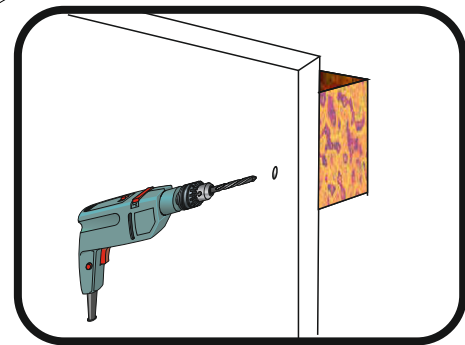
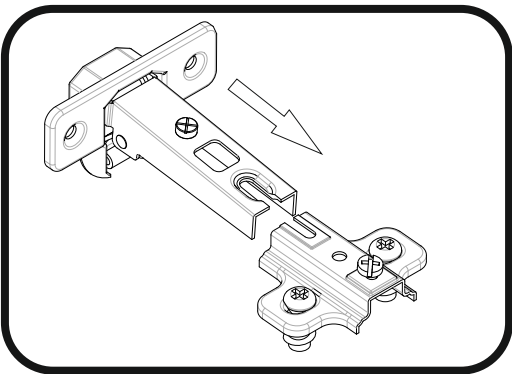
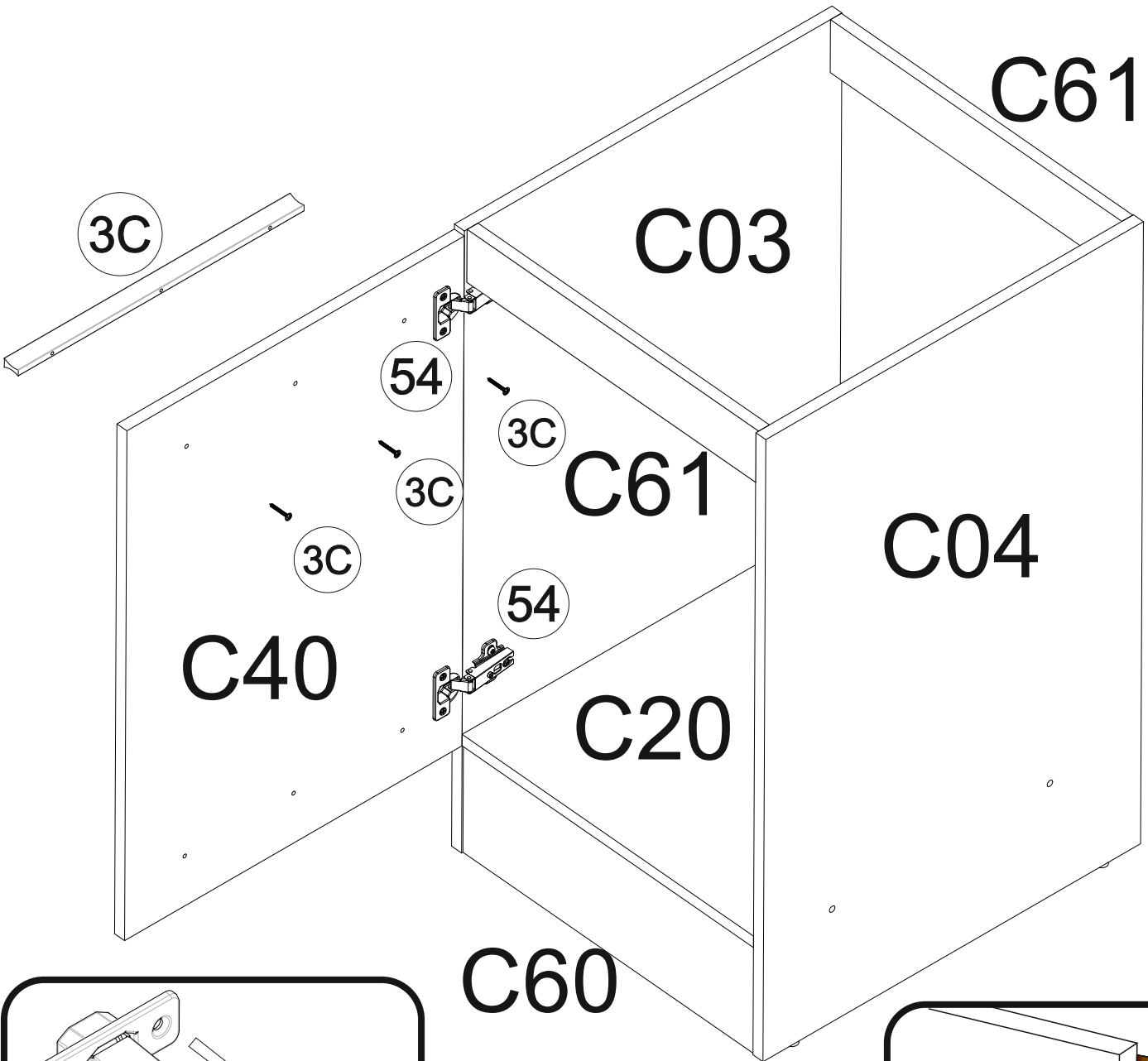
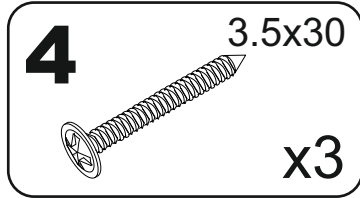
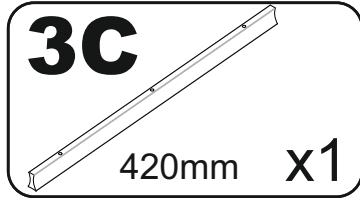
**31C**  x3

**4A**  4x16 x6

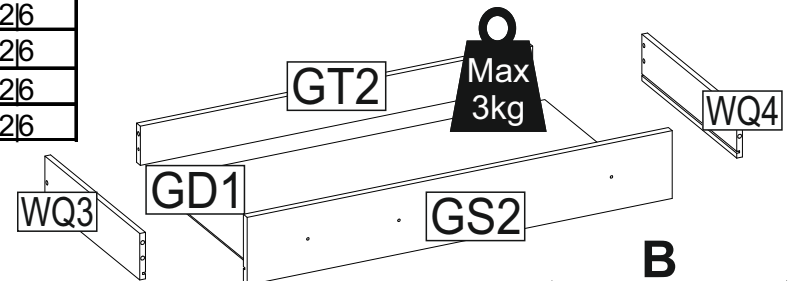
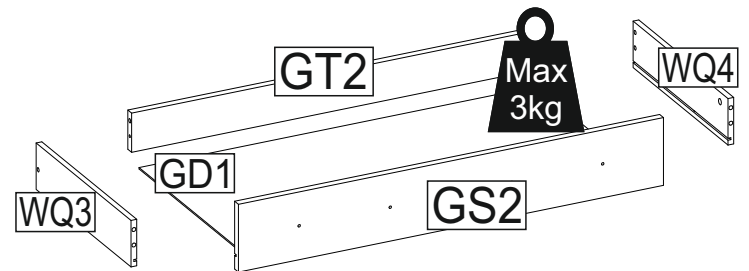
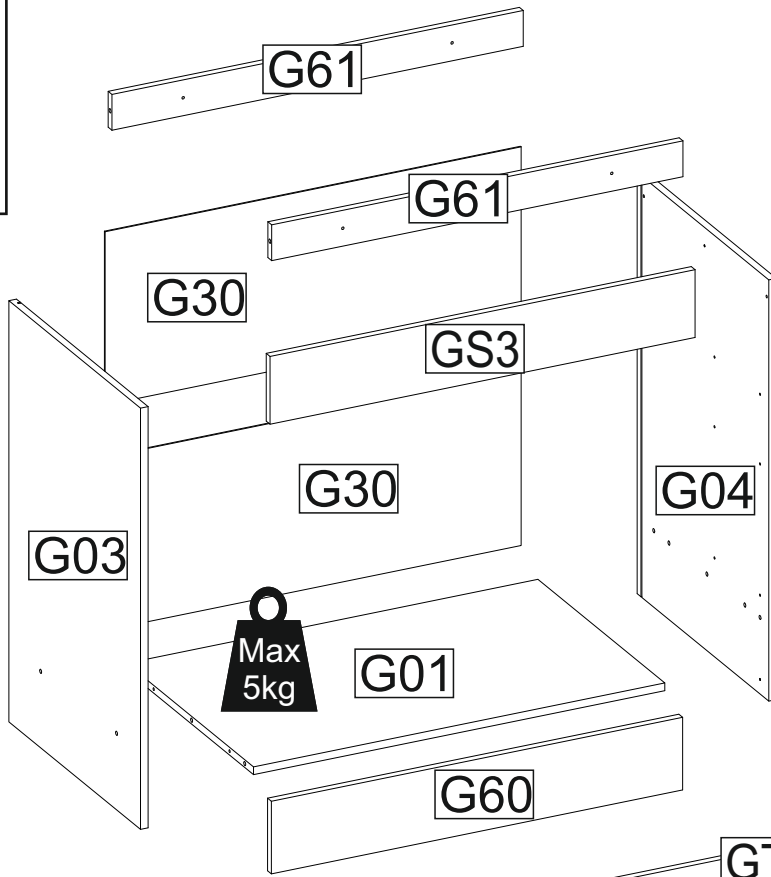
**31C**  **4A** 

Inset diagram showing a screw 4A being inserted into a bracket 31C. An arrow indicates the direction of insertion.

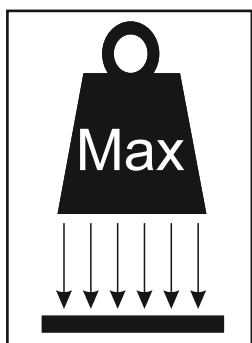
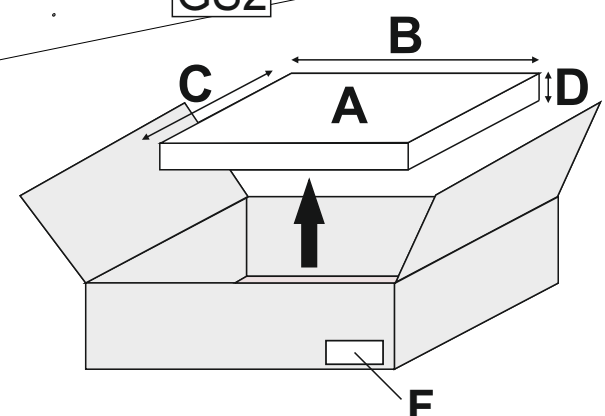
7



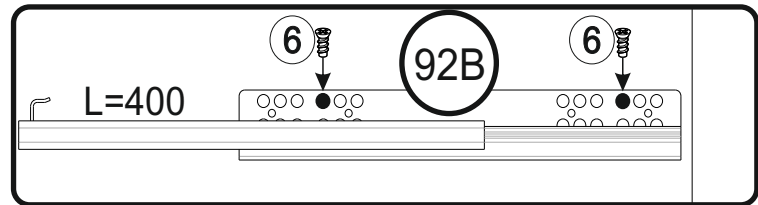
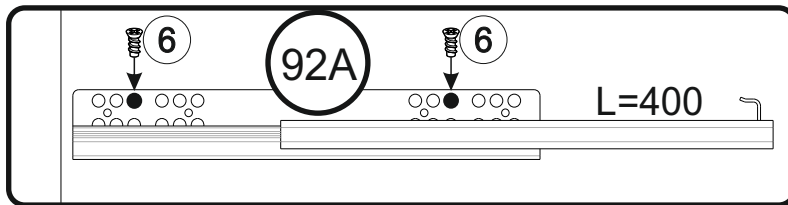
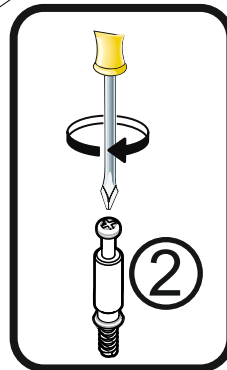
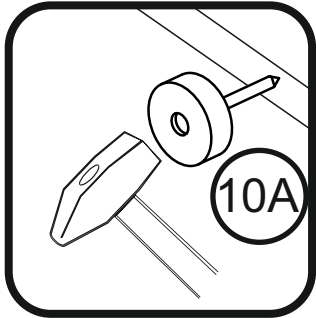
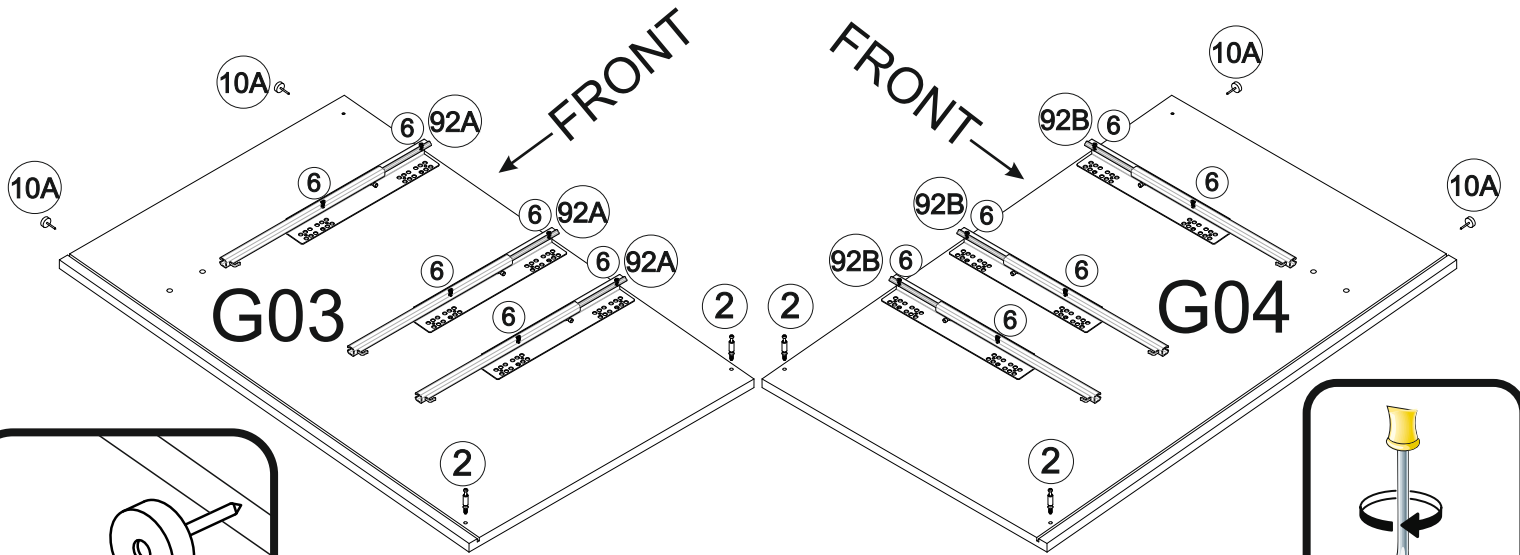
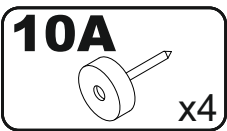
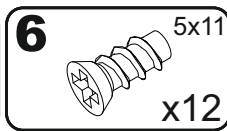
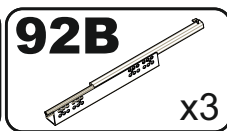
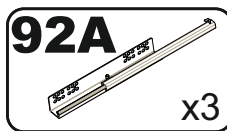
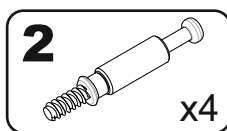
# G



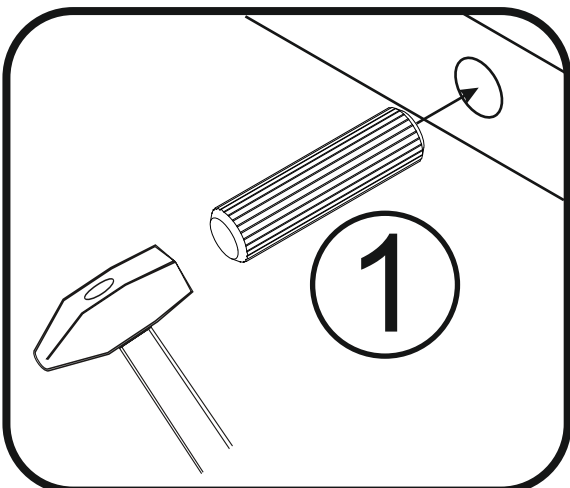
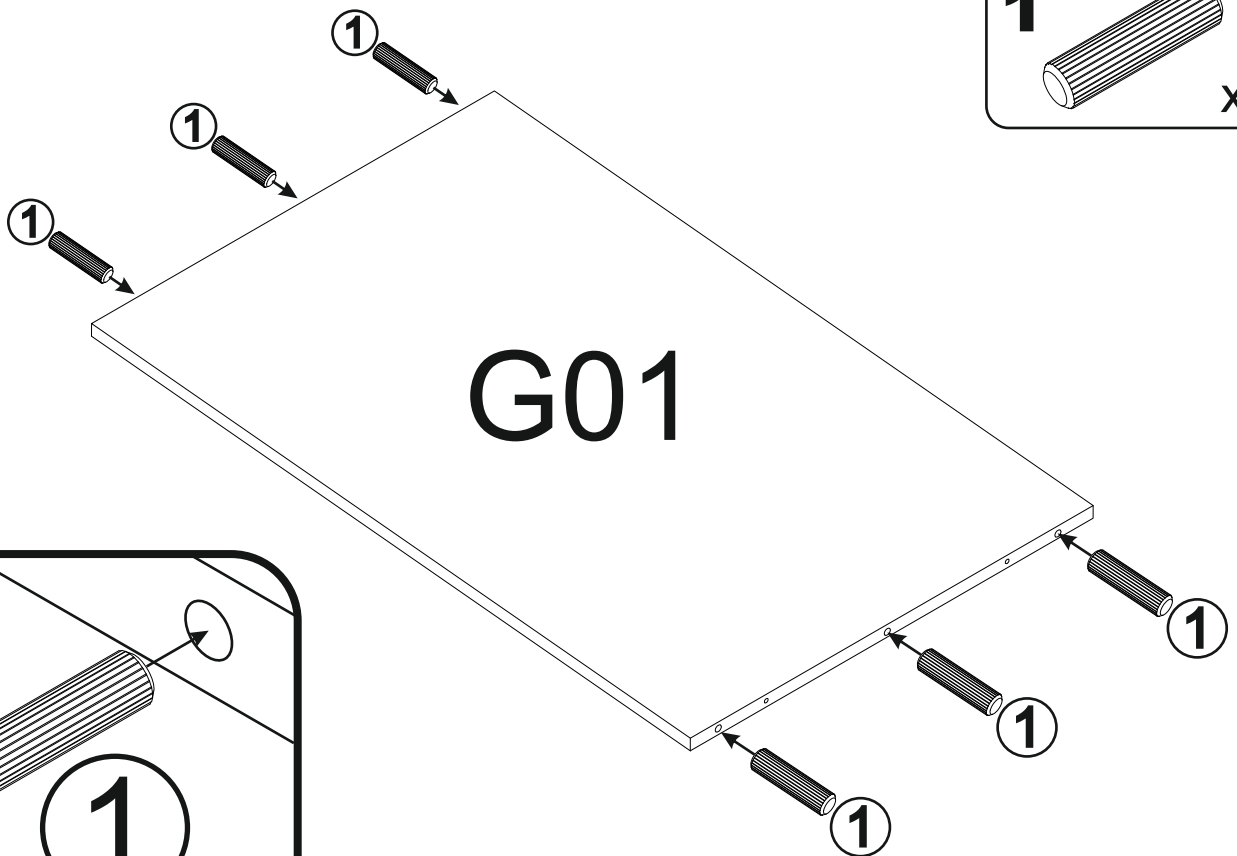
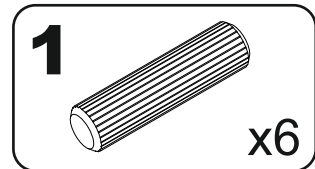
| A   | B (mm) | C (mm) | D (mm) | E | F   |
|-----|--------|--------|--------|---|-----|
| G01 | 867    | 535    | 16     | 1 | 2/6 |
| G03 | 870    | 555    | 16     | 1 | 2/6 |
| G04 | 870    | 555    | 16     | 1 | 2/6 |
| G30 | 877    | 358    | 3      | 2 | 2/6 |
| G60 | 867    | 150    | 16     | 1 | 2/6 |
| G61 | 867    | 16     | 74     | 2 | 2/6 |
| GD1 | 837    | 403    | 3      | 3 | 2/6 |
| GS1 | 896    | 283    | 16     | 1 | 2/6 |
| GS2 | 896    | 140    | 16     | 2 | 2/6 |
| GS3 | 896    | 140    | 16     | 1 | 2/6 |
| GT1 | 827    | 177    | 16     | 1 | 2/6 |
| GT2 | 827    | 81     | 16     | 2 | 2/6 |
| WQ3 | 400    | 96     | 12     | 4 | 2/6 |
| WQ4 | 400    | 96     | 12     | 4 | 2/6 |



# 1



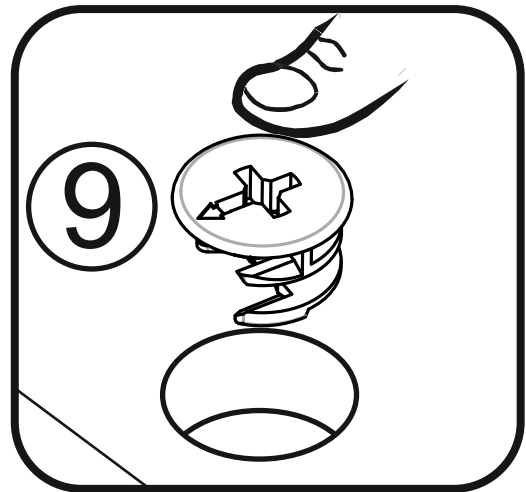
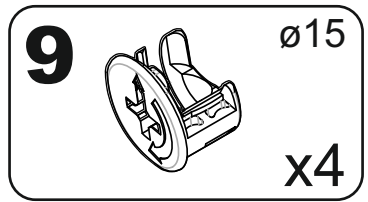
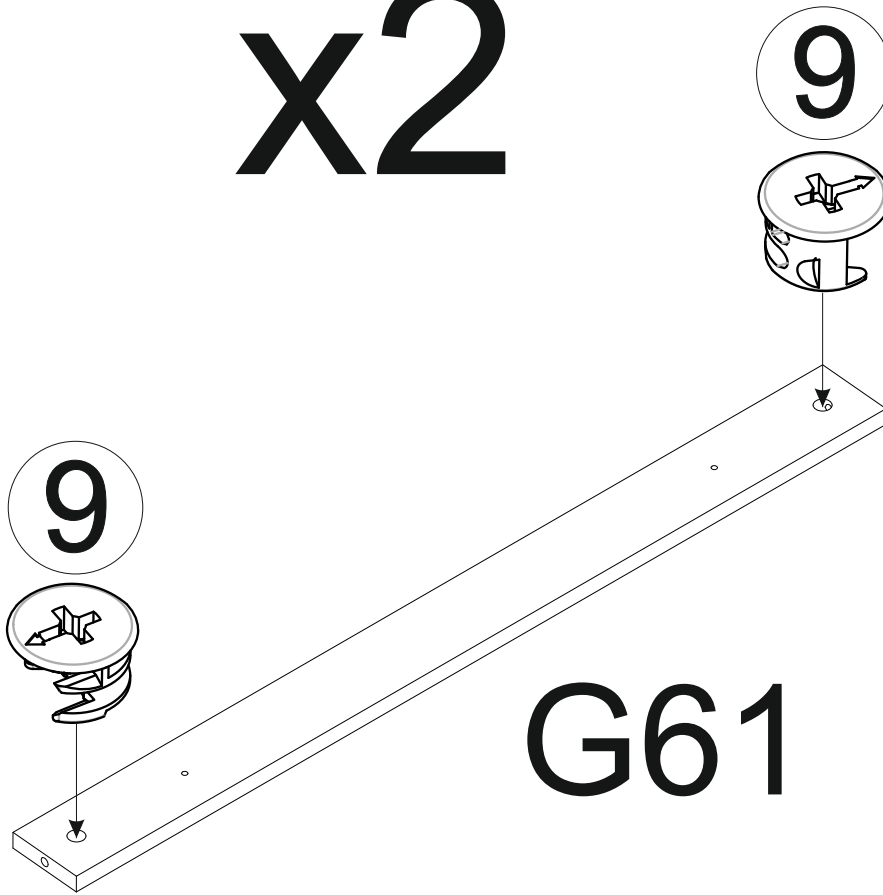
# 2



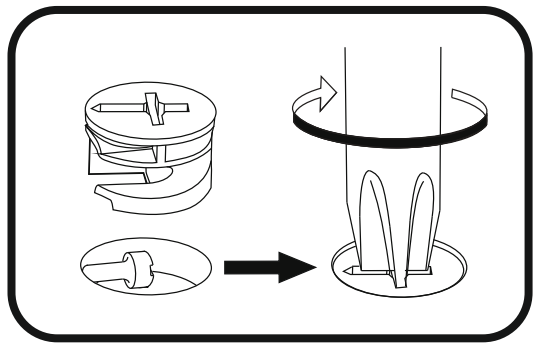
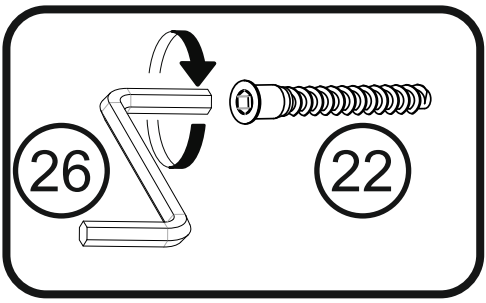
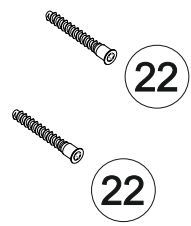
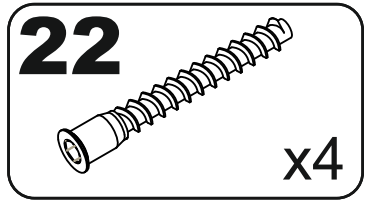
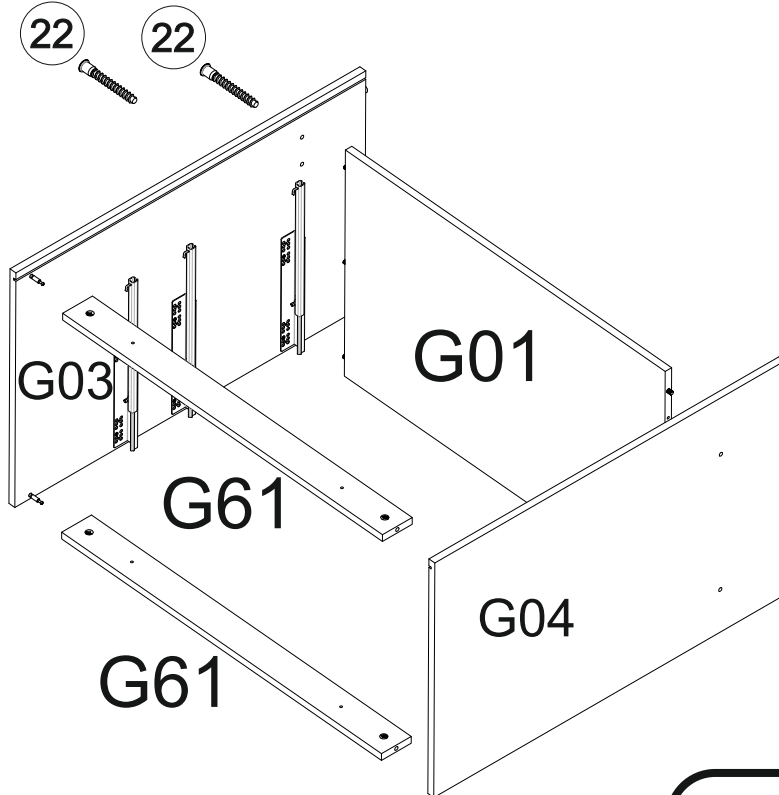


3

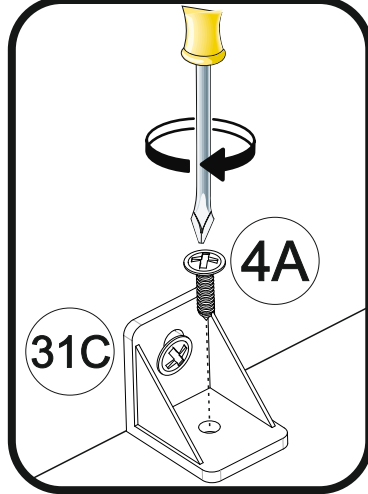
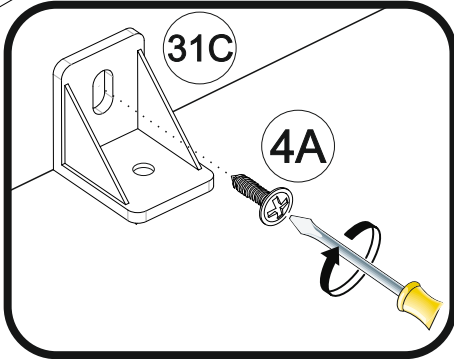
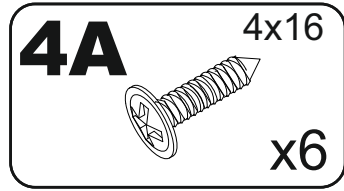
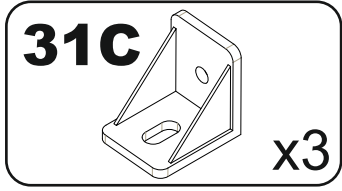
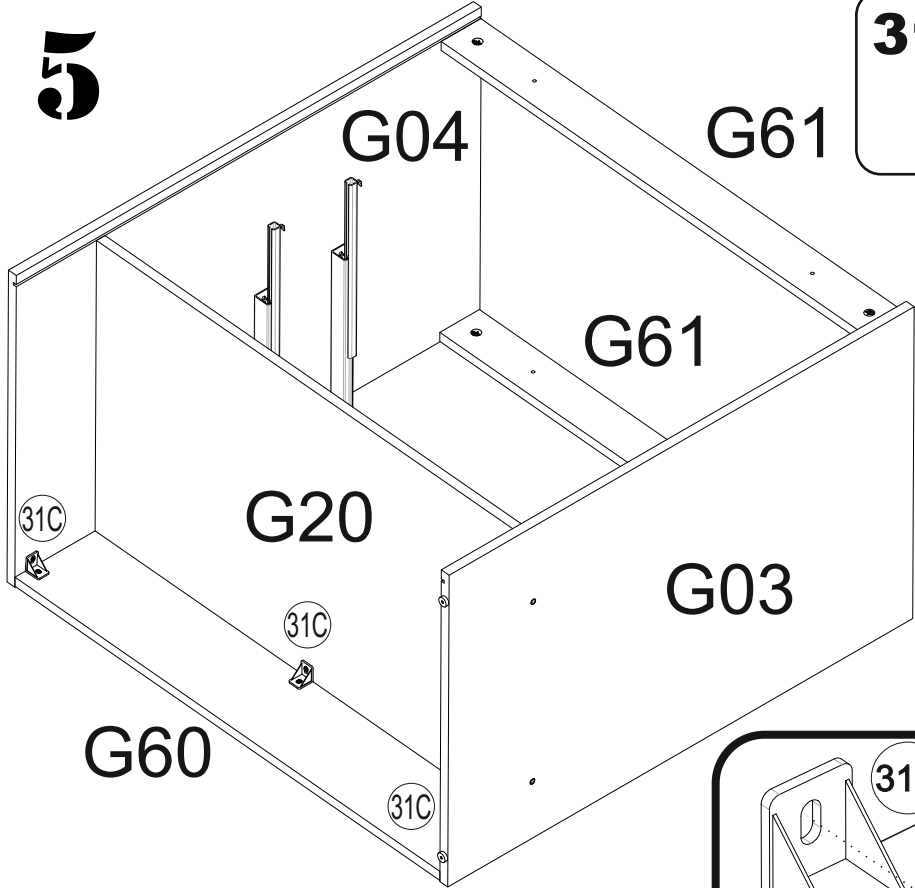
x2



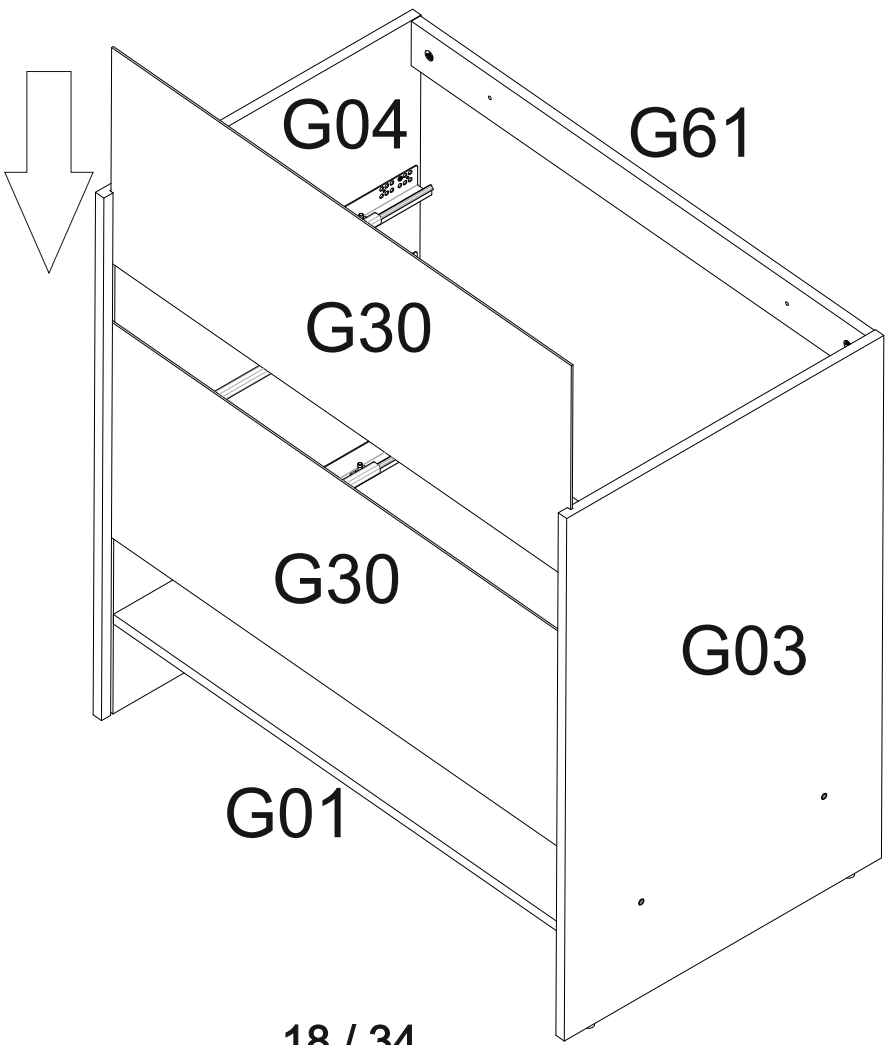
4



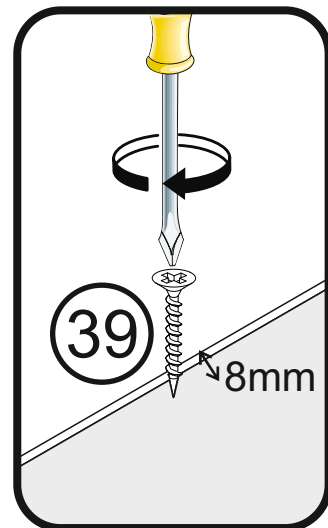
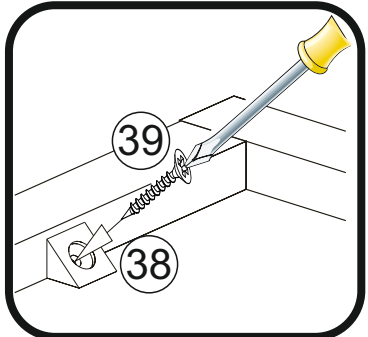
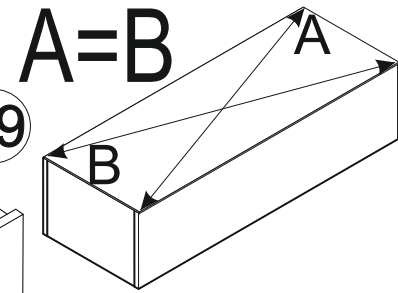
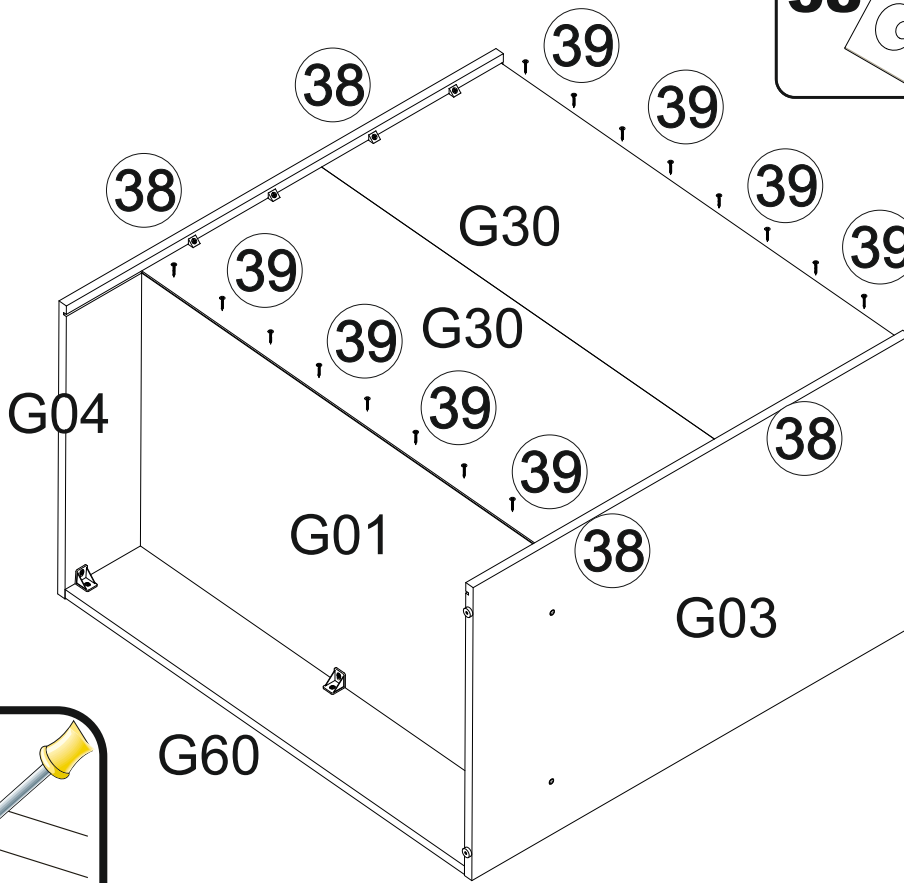
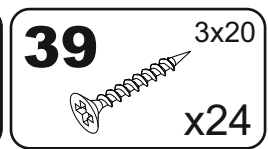
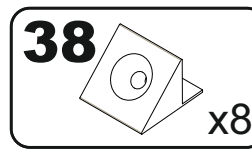
**5**



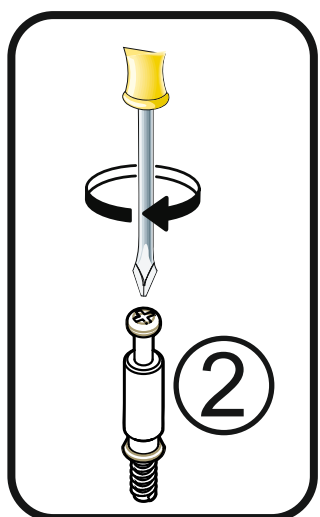
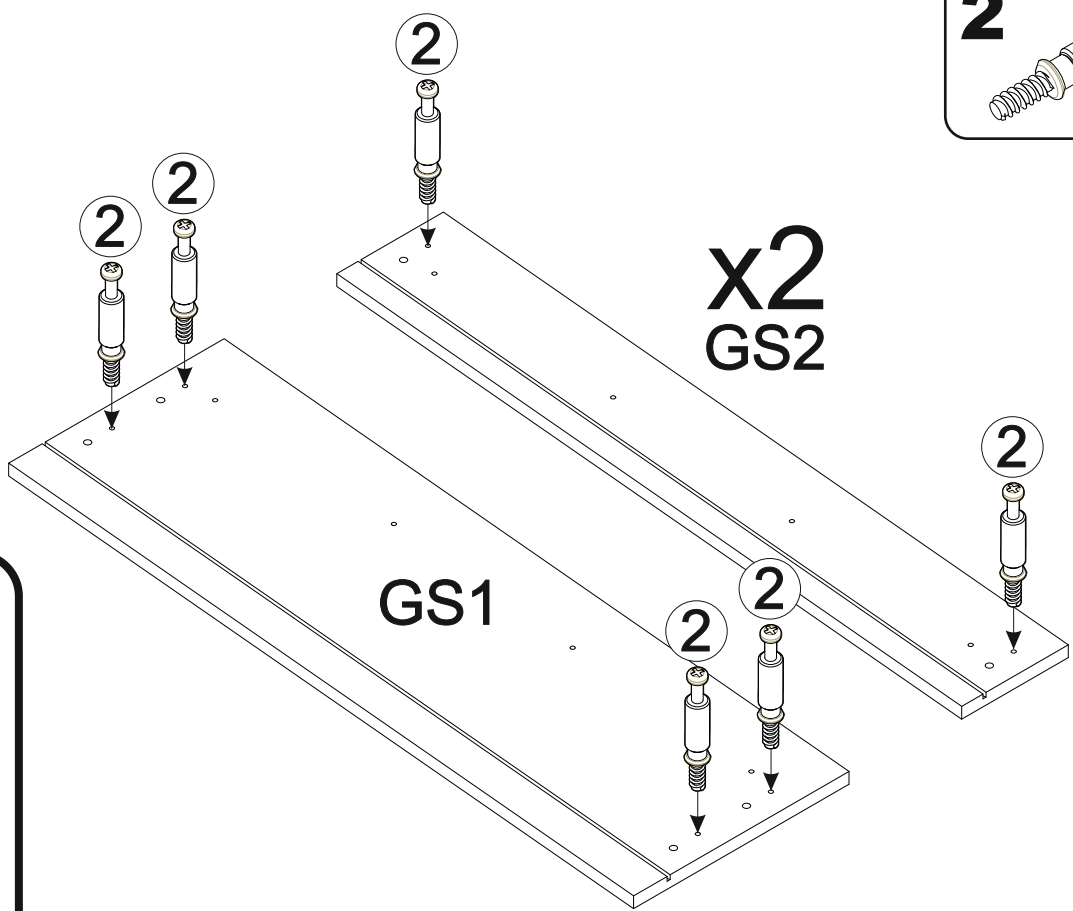
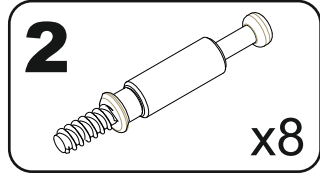
**6**



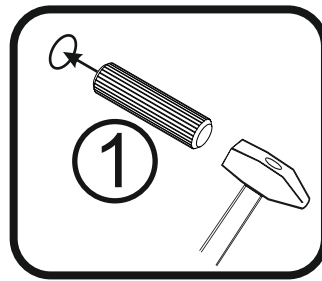
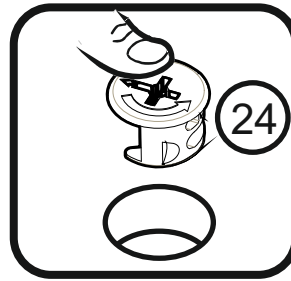
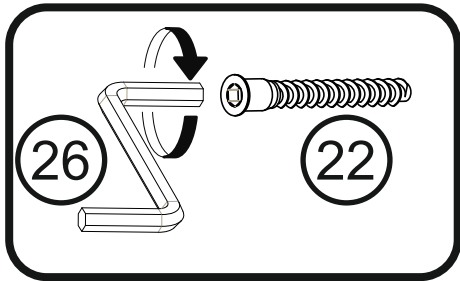
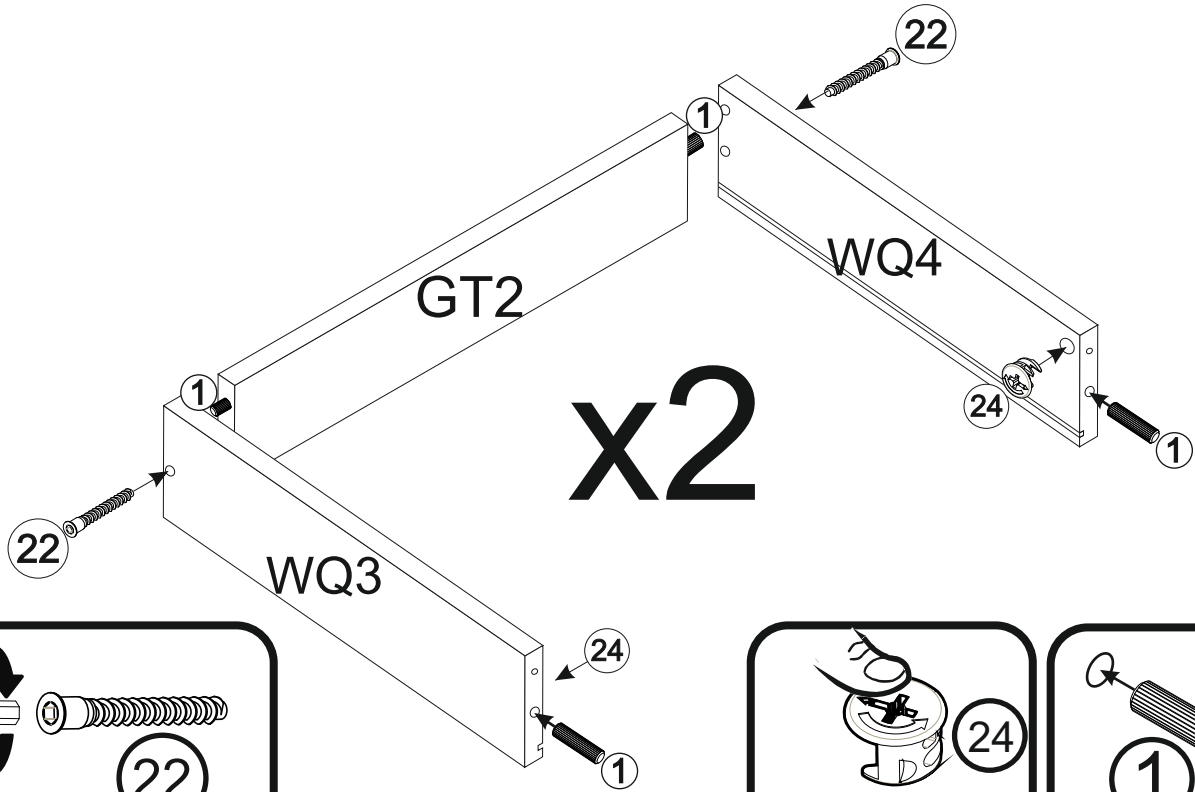
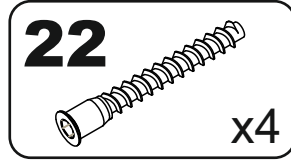
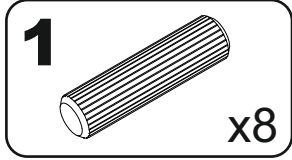
7



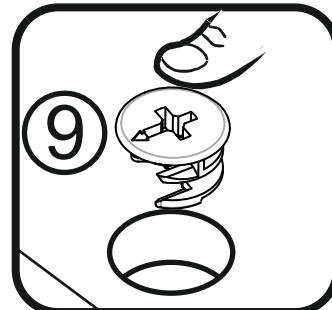
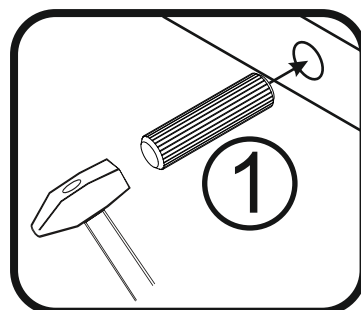
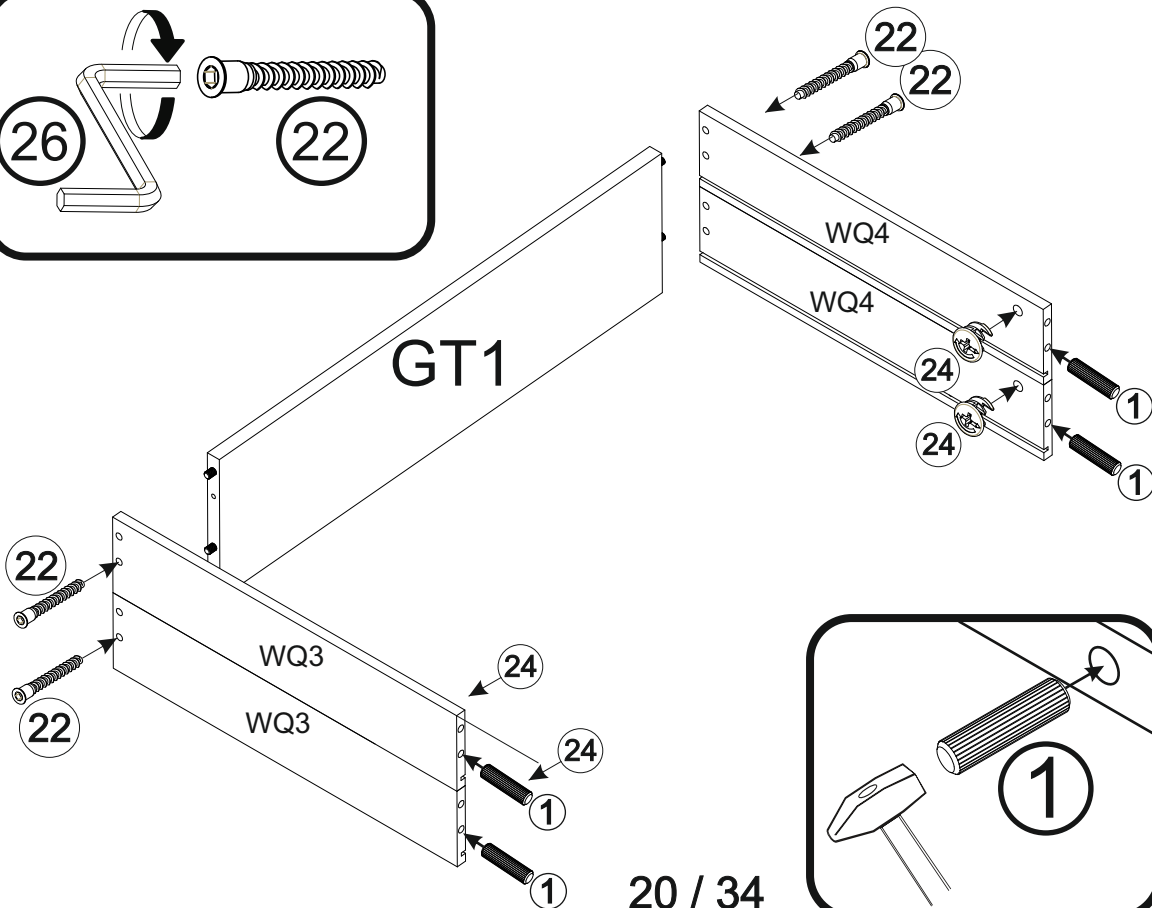
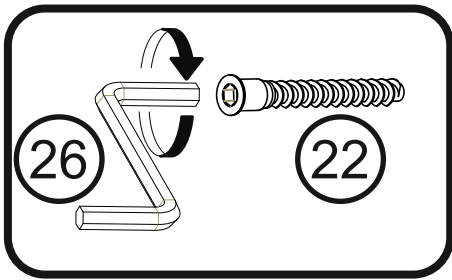
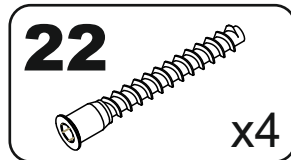
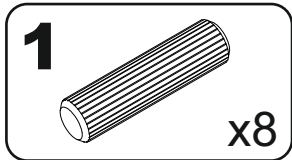
8



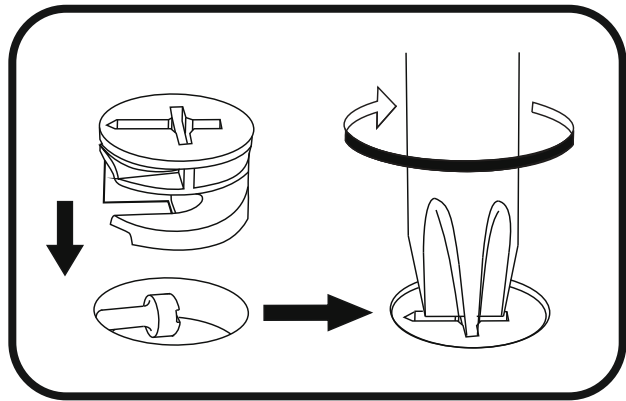
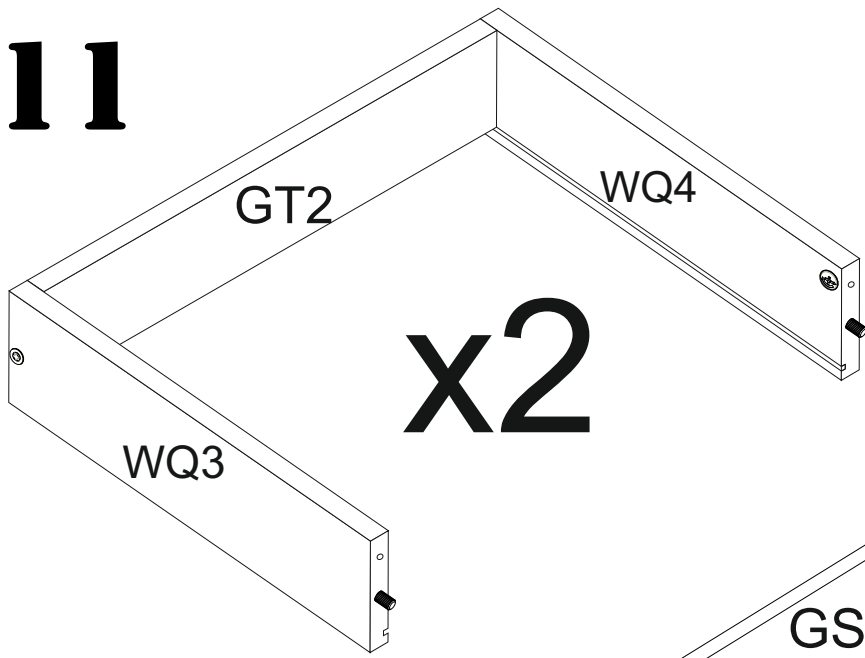
# 9



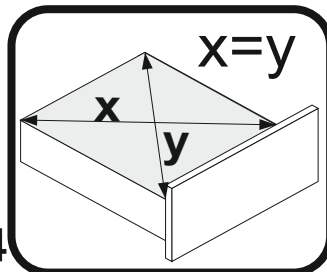
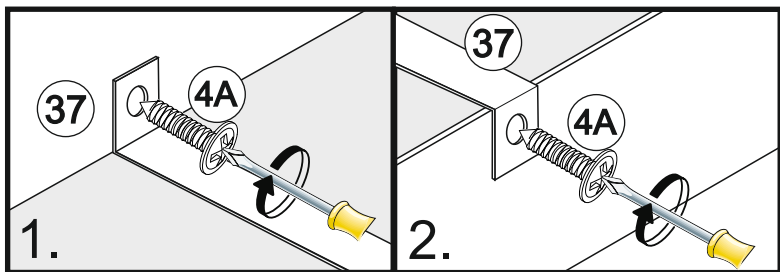
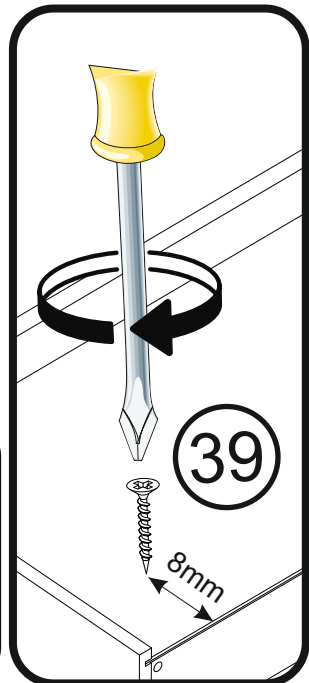
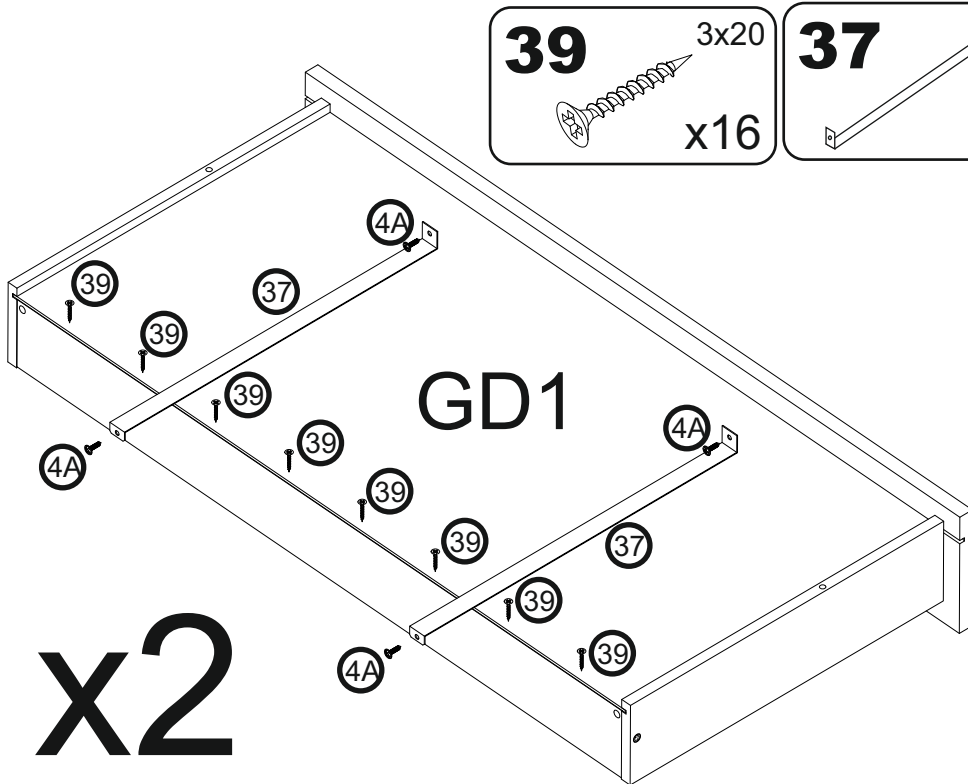
# 10



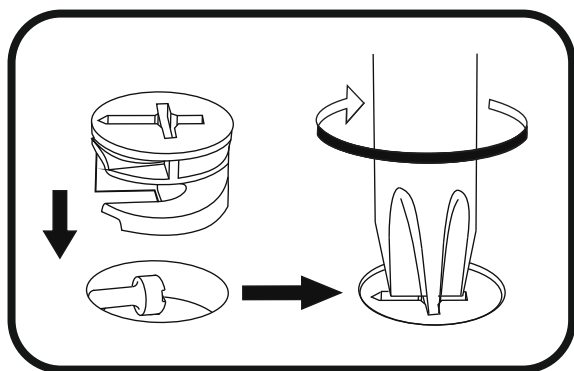
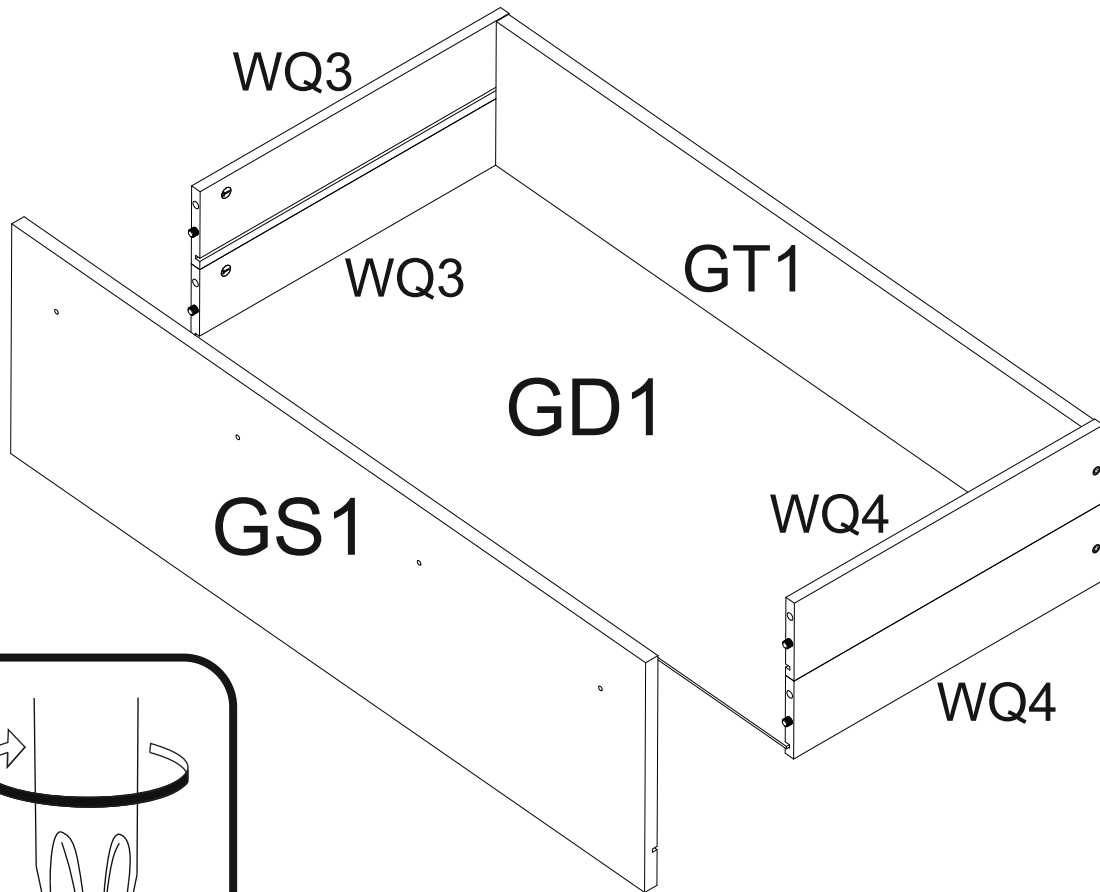
# 11



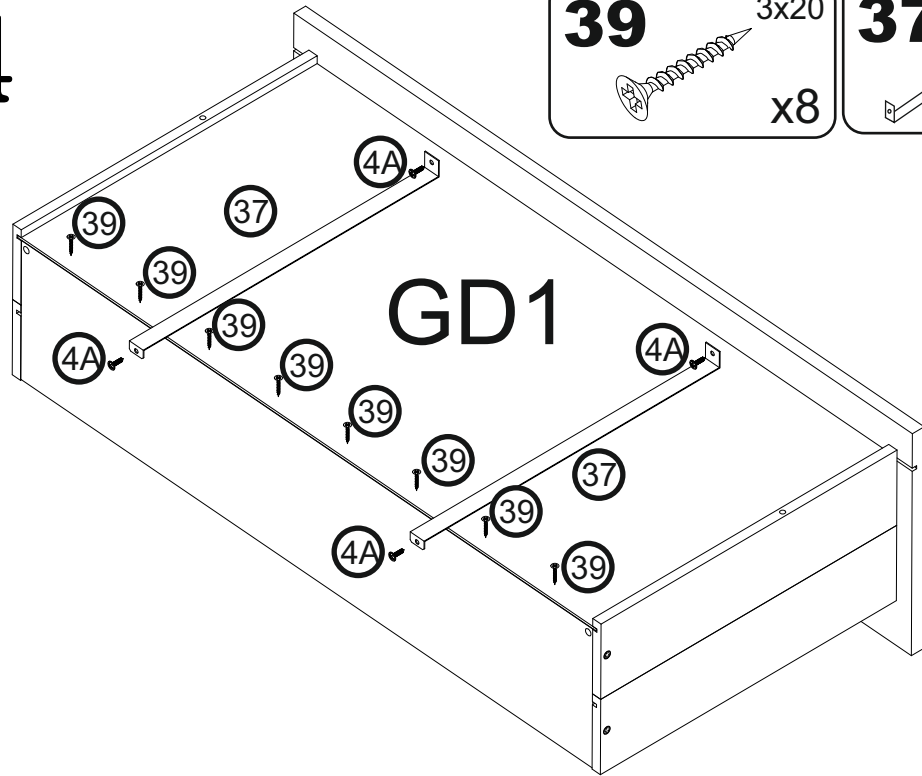
# 12



# 13



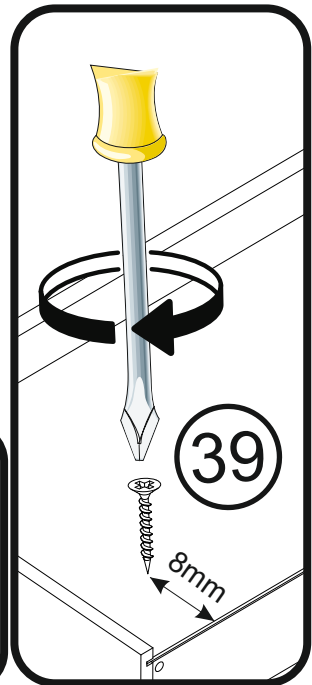
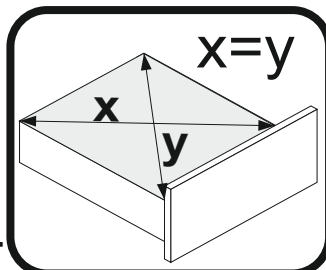
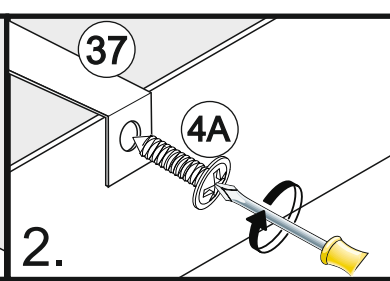
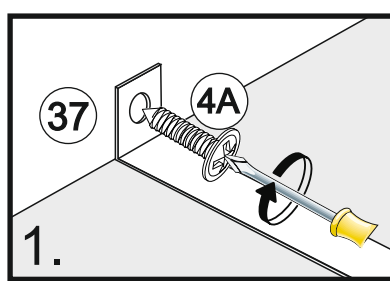
# 14



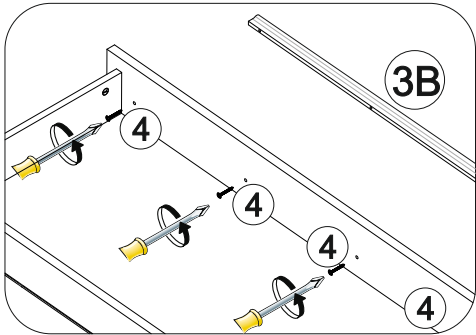
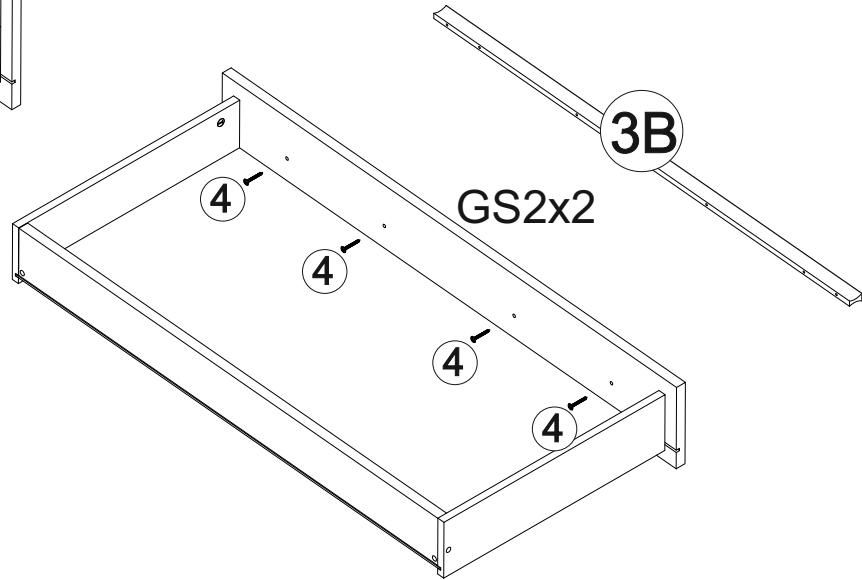
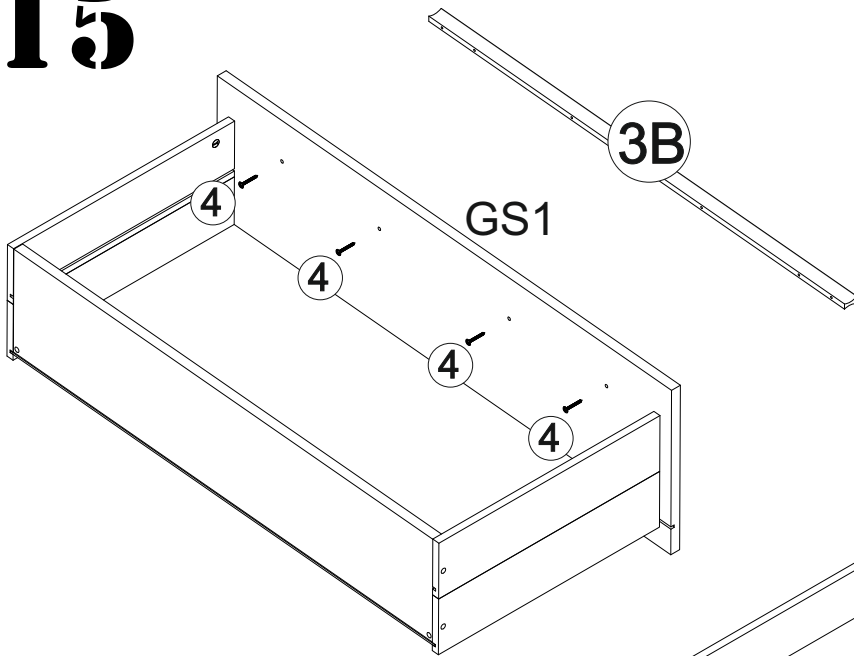
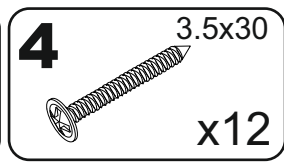
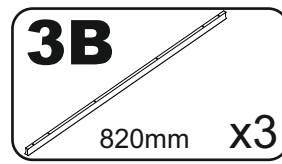
**39** 3x20  
x8

**37**  
x2

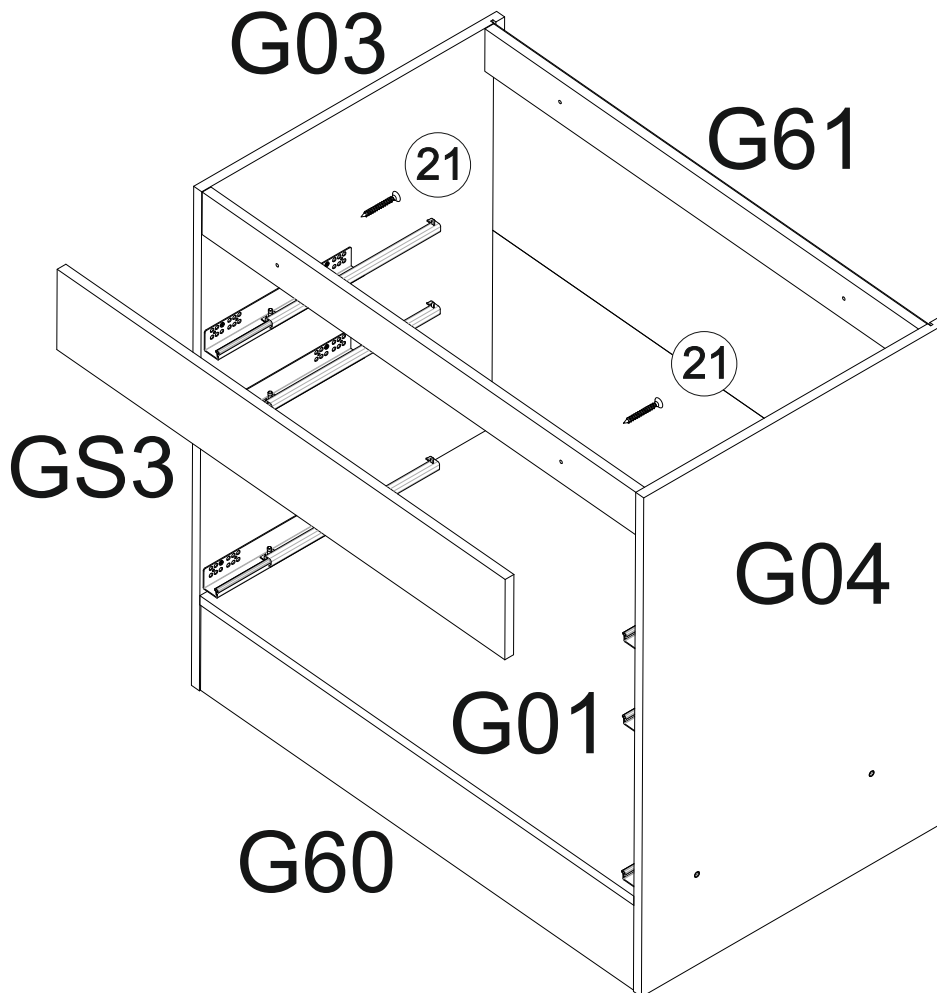
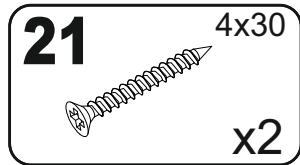
**4A** 4x16  
x4



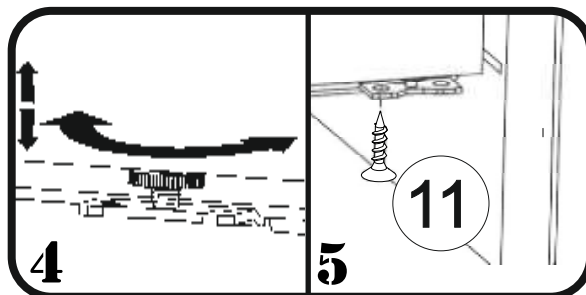
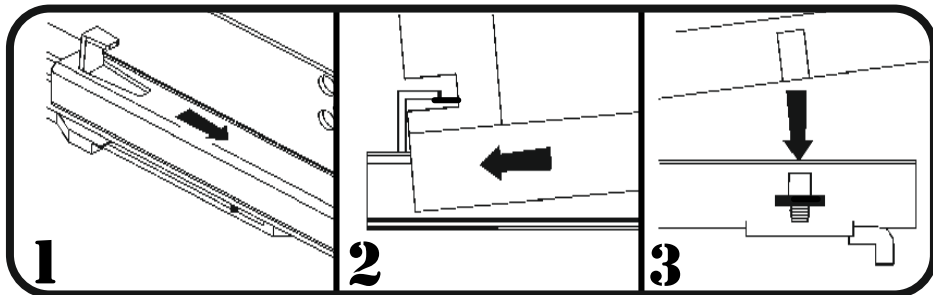
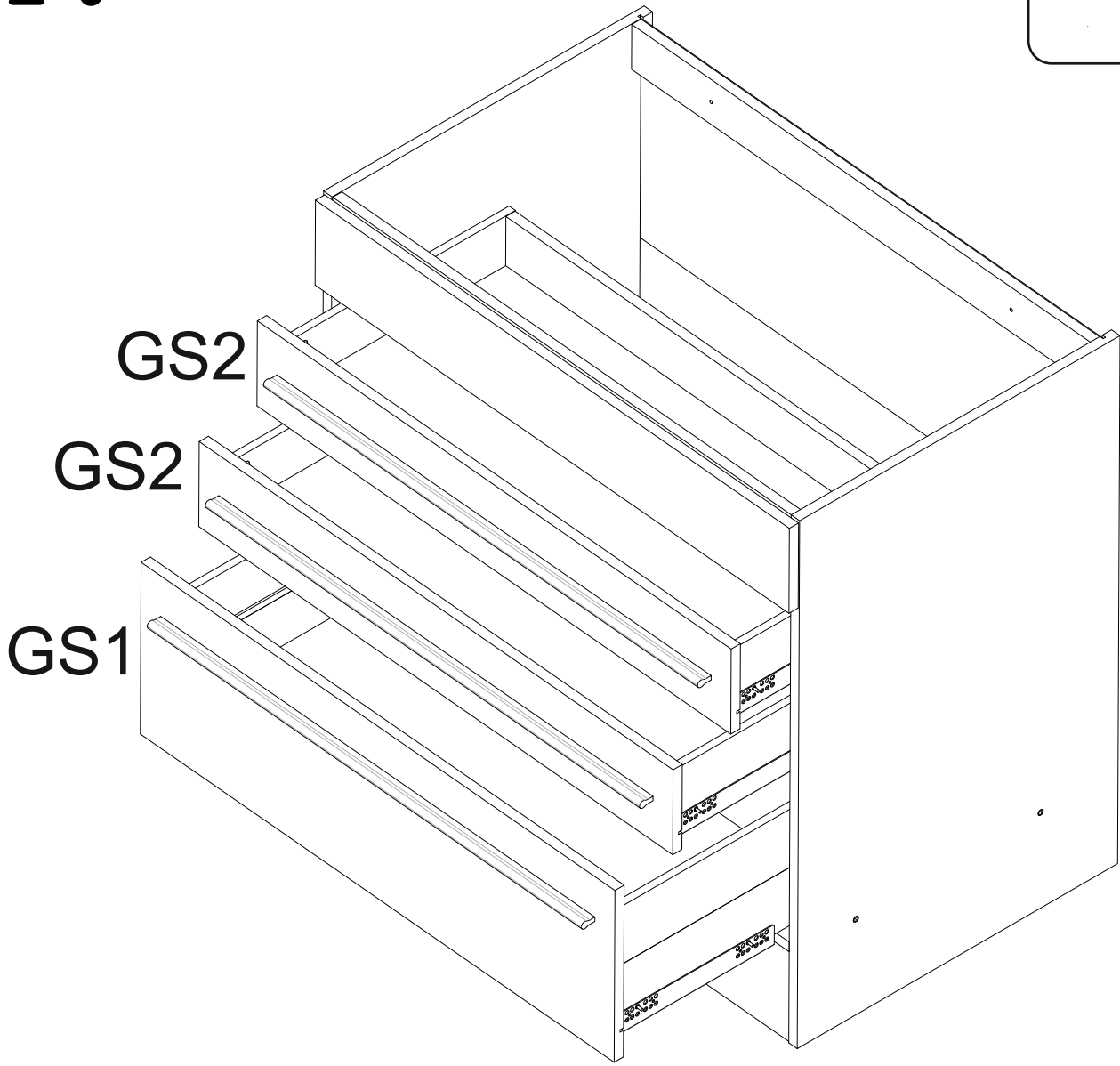
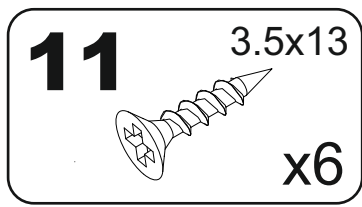
# 15



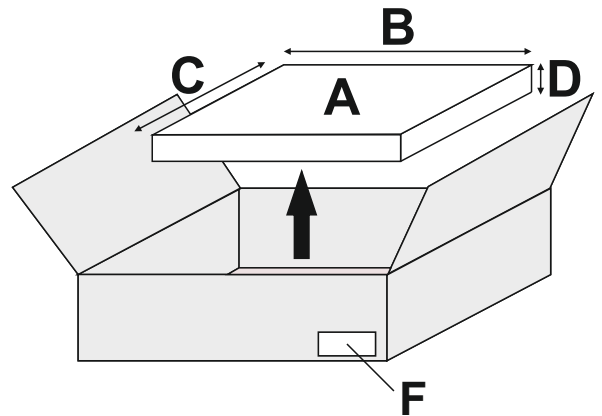
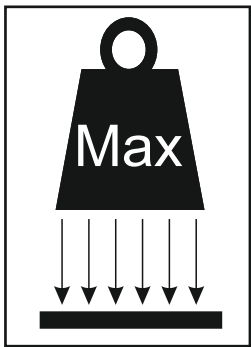
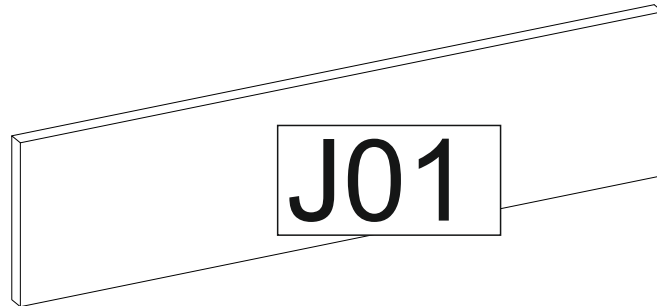
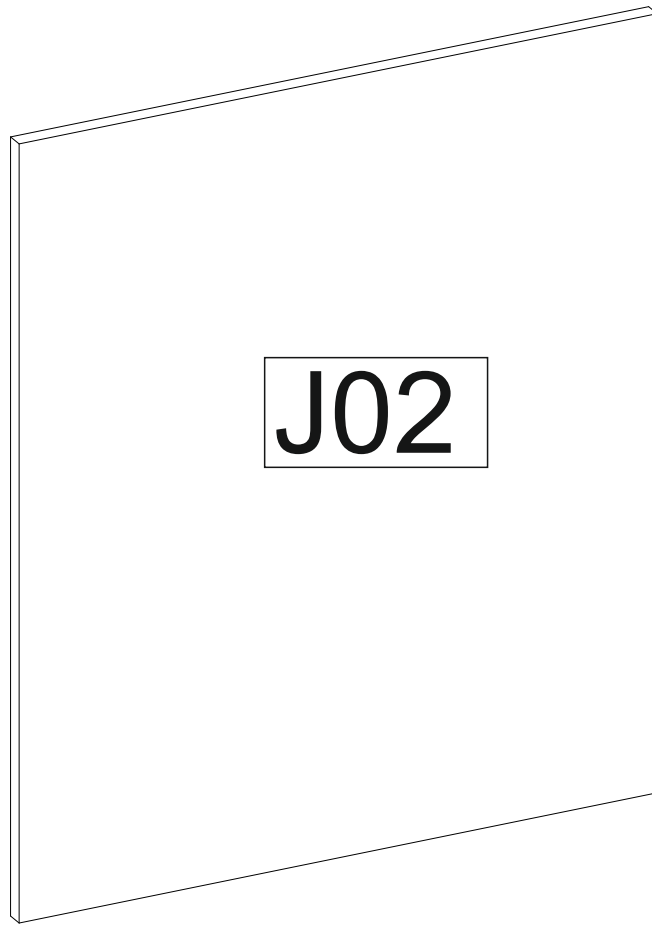
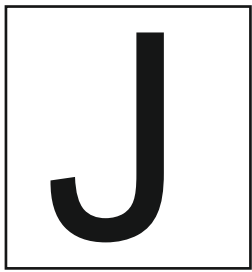
# 16



# 17

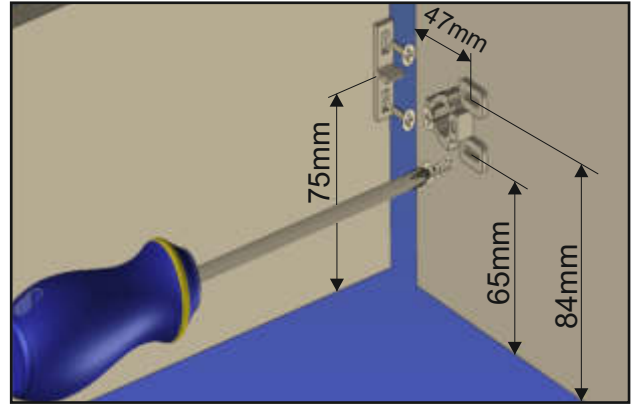
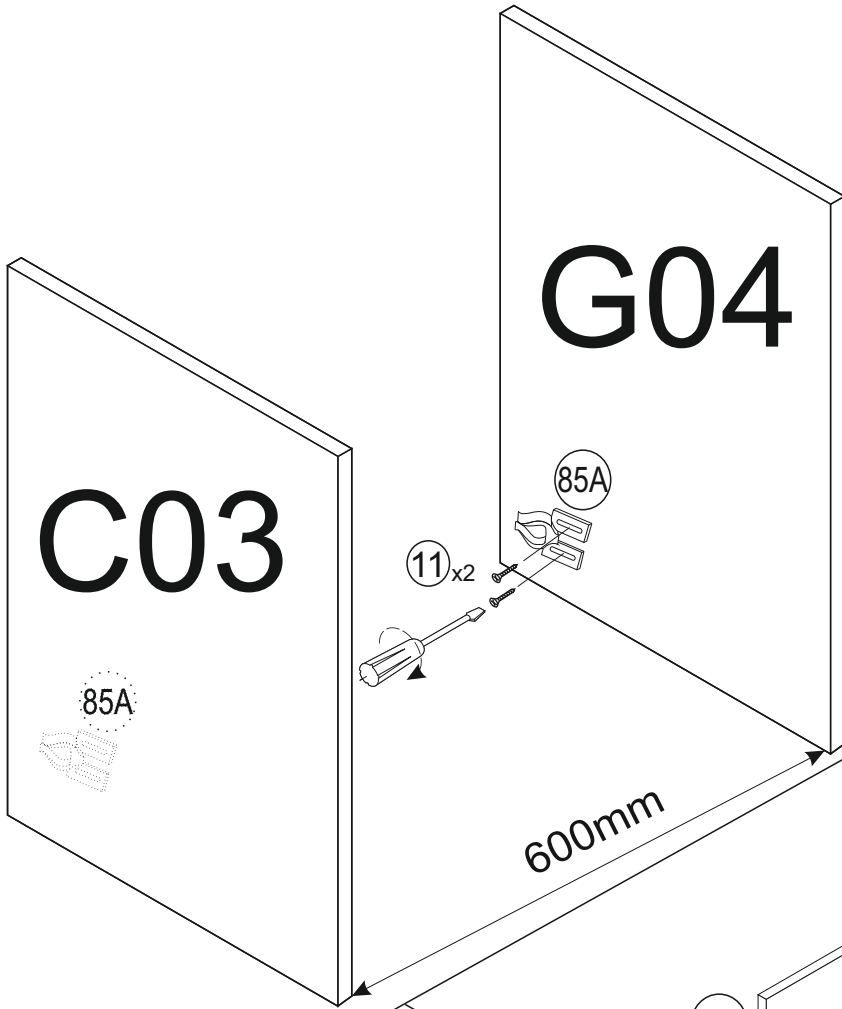




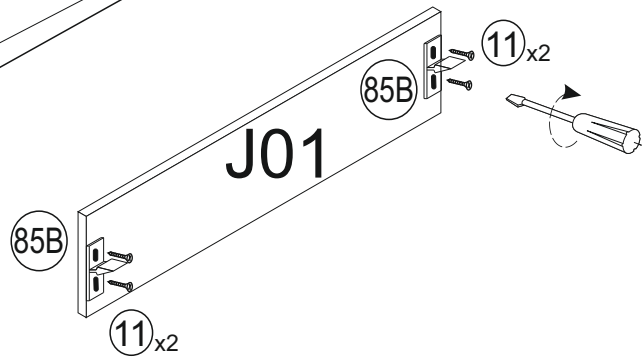


| A   | B_(mm) | C_(mm) | D_(mm) | E | F   |
|-----|--------|--------|--------|---|-----|
| J01 | 600    | 150    | 16     | 1 | 5 6 |
| J02 | 713    | 596    | 16     | 1 | 5 6 |

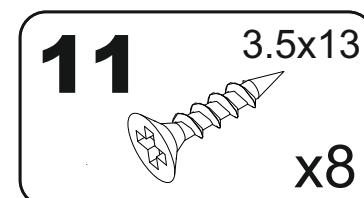
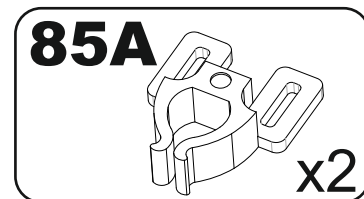
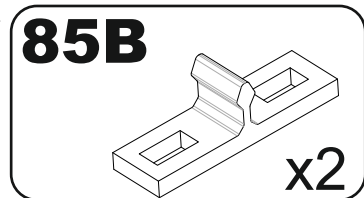
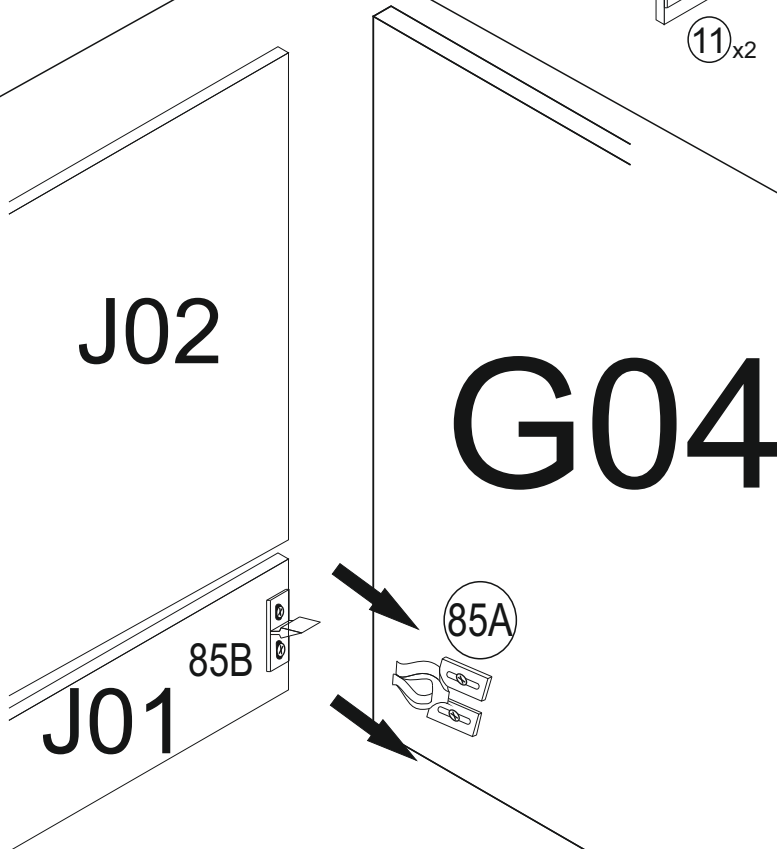
# 1

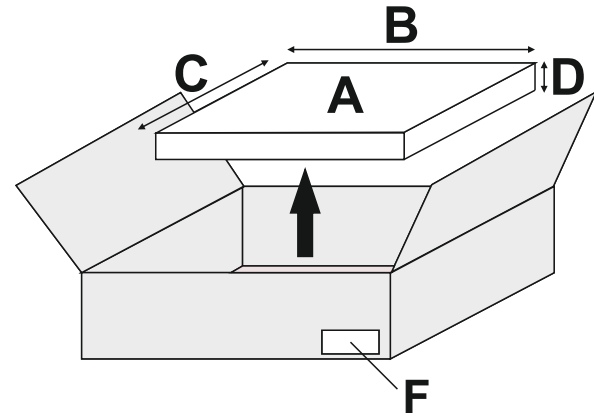
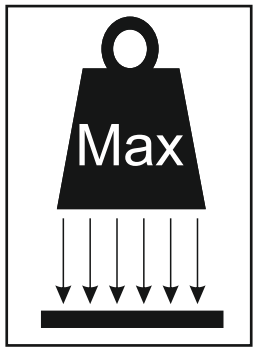
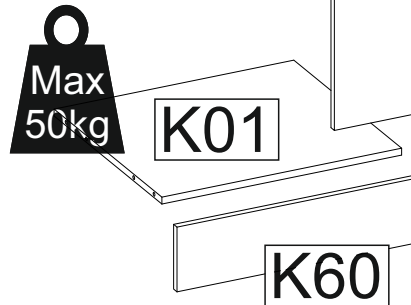
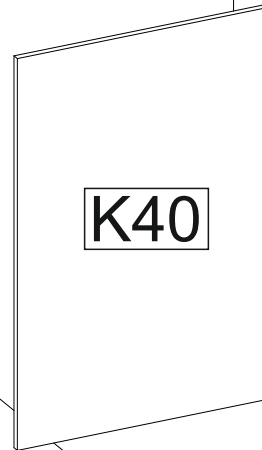
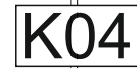
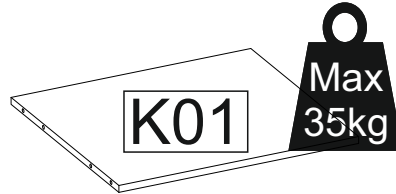
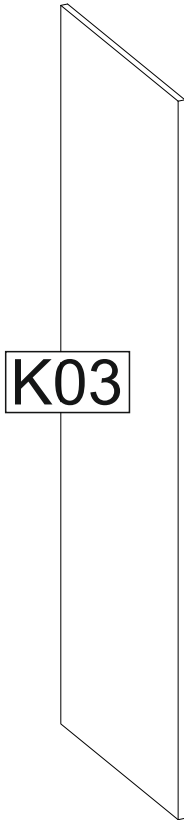
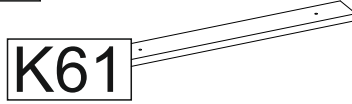
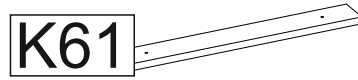
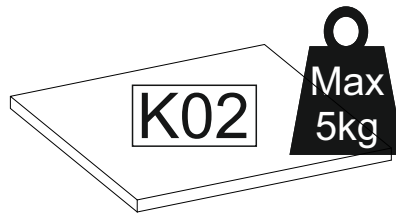
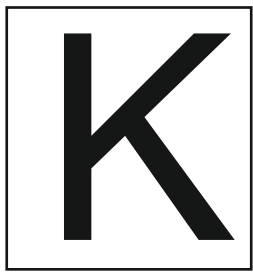


# 2



# 3

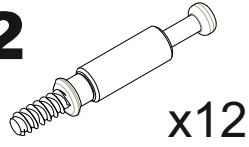




| A   | B (mm) | C (mm) | D (mm) | E | F   |
|-----|--------|--------|--------|---|-----|
| K01 | 567    | 510    | 16     | 2 | 4 6 |
| K02 | 601    | 600    | 28     | 1 | 5 6 |
| K03 | 1665   | 555    | 16     | 1 | 4 6 |
| K04 | 1665   | 555    | 16     | 1 | 4 6 |
| K40 | 908    | 596    | 16     | 1 | 5 6 |
| K60 | 567    | 150    | 16     | 1 | 4 6 |
| K61 | 567    | 74     | 16     | 2 | 4 6 |

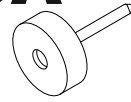
# 1

## 2



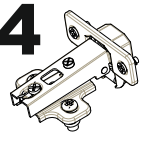
x12

## 10A



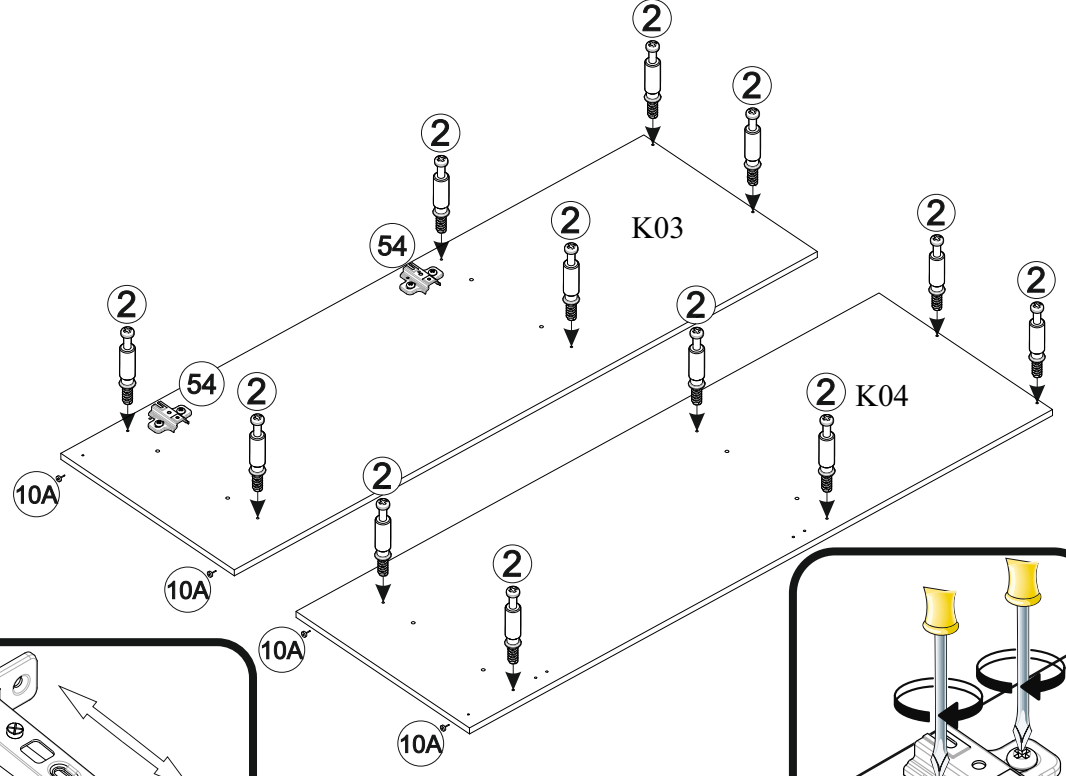
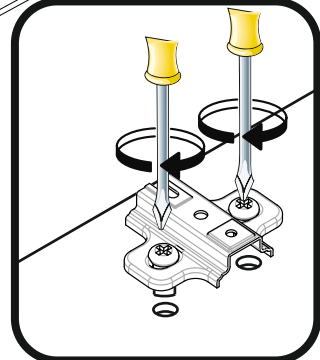
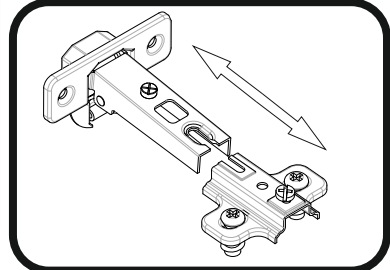
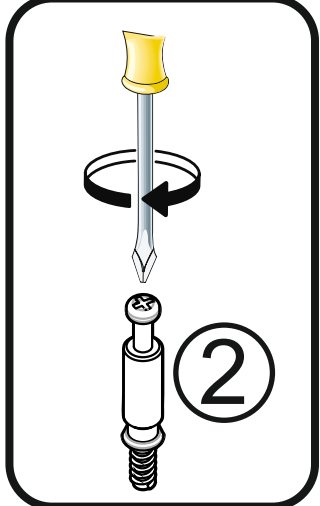
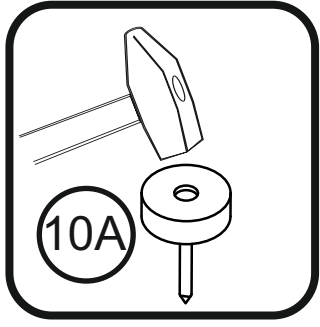
x4

## 54



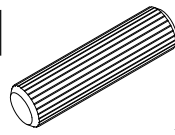
ø35

x2



# 2

## 1



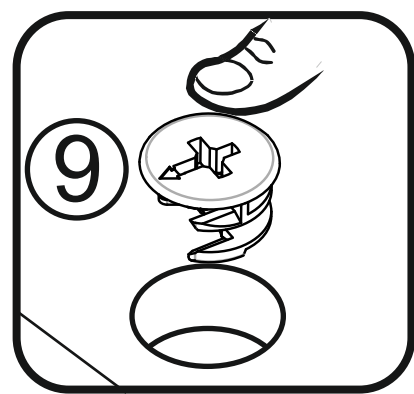
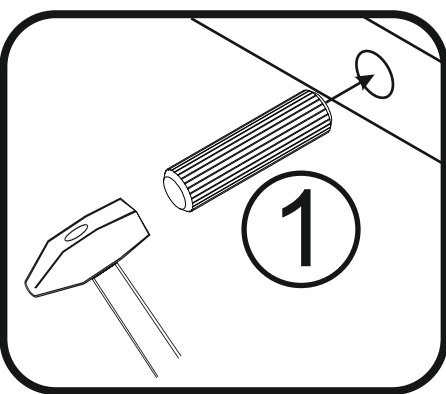
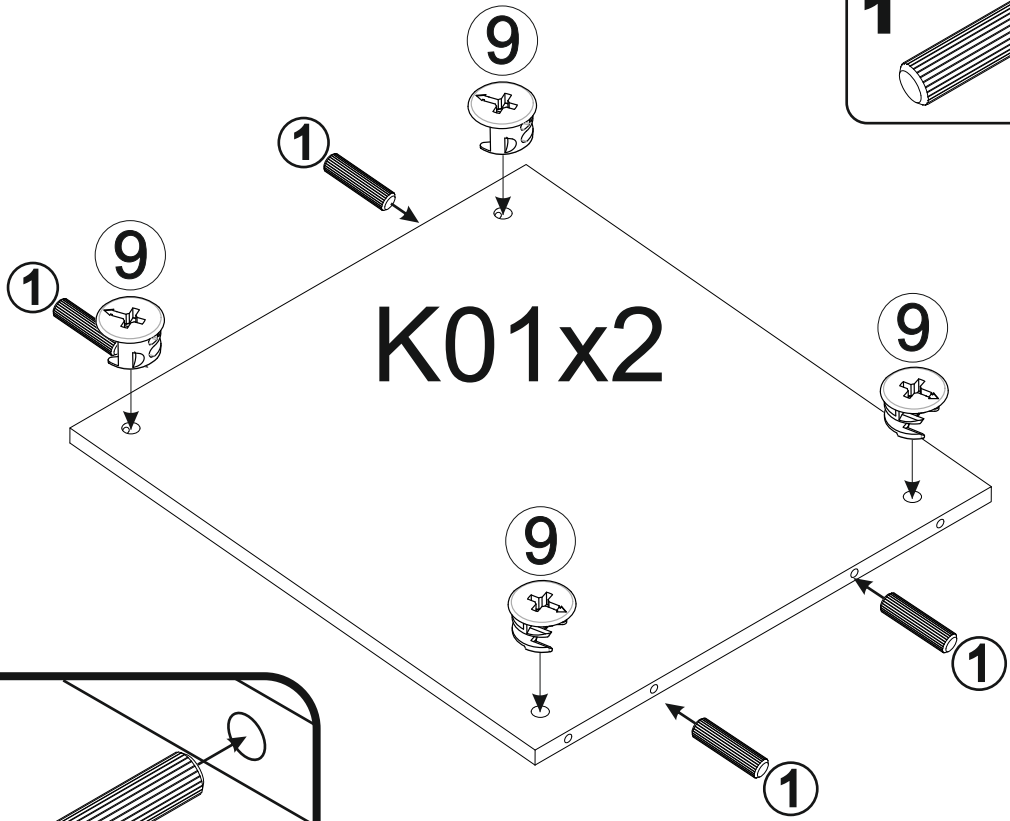
x8

## 9

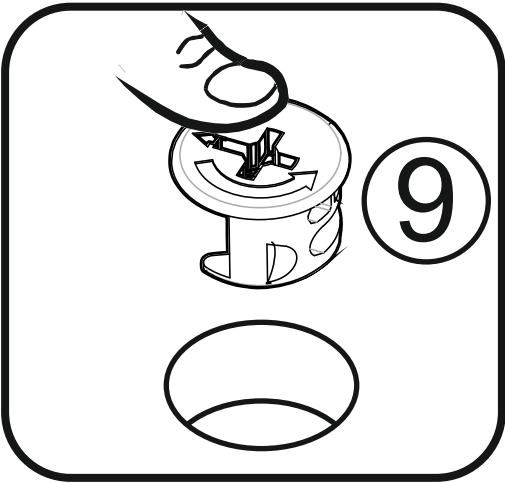
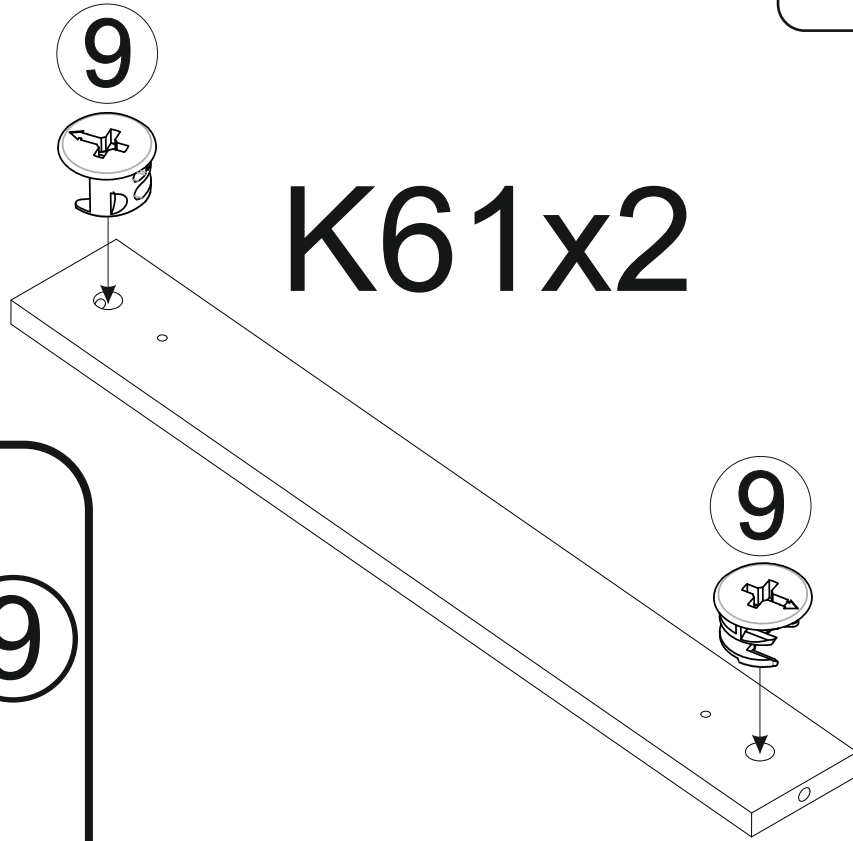
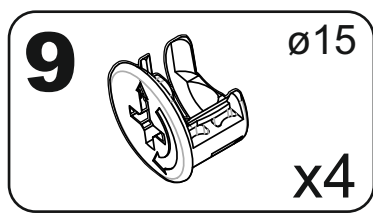


ø15

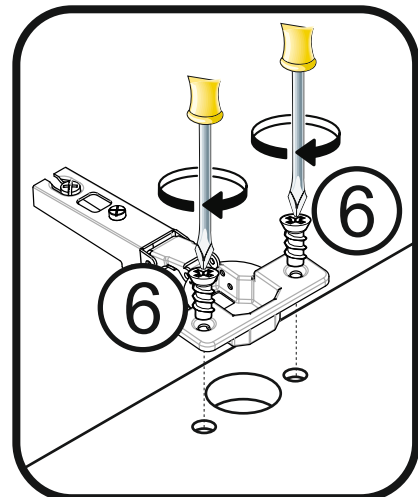
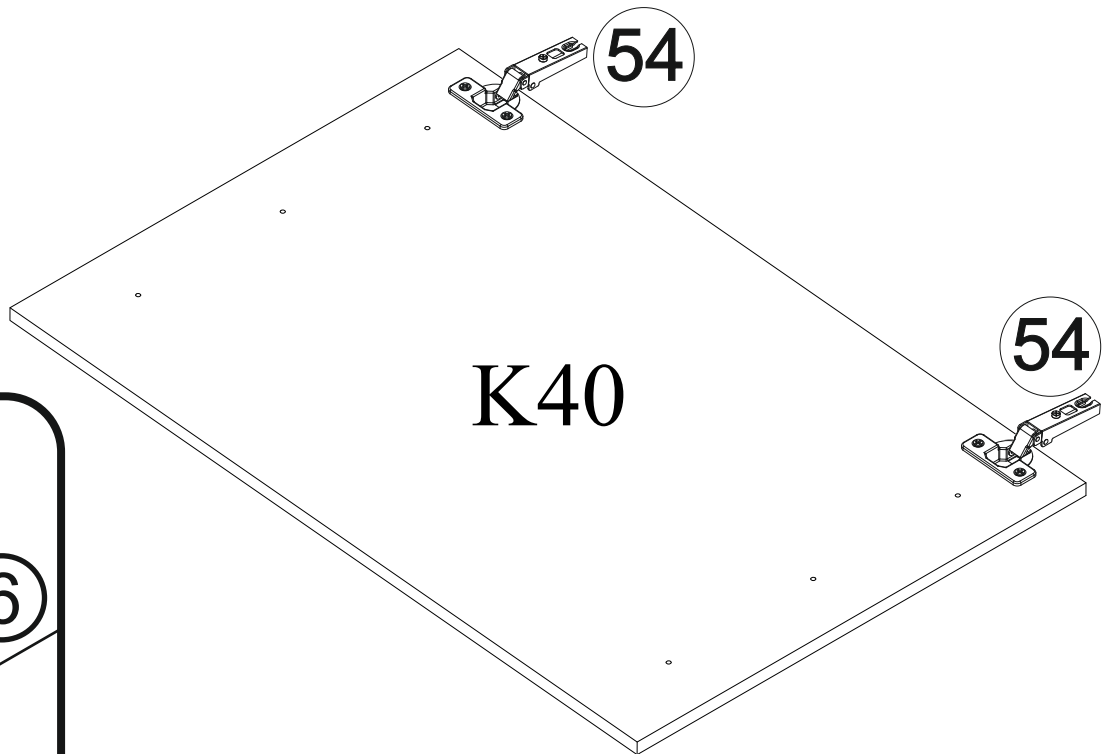
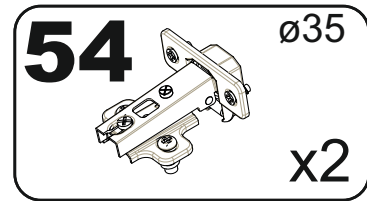
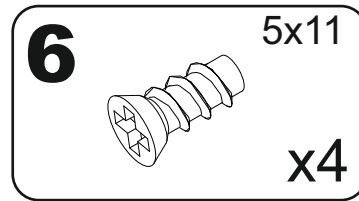
x8



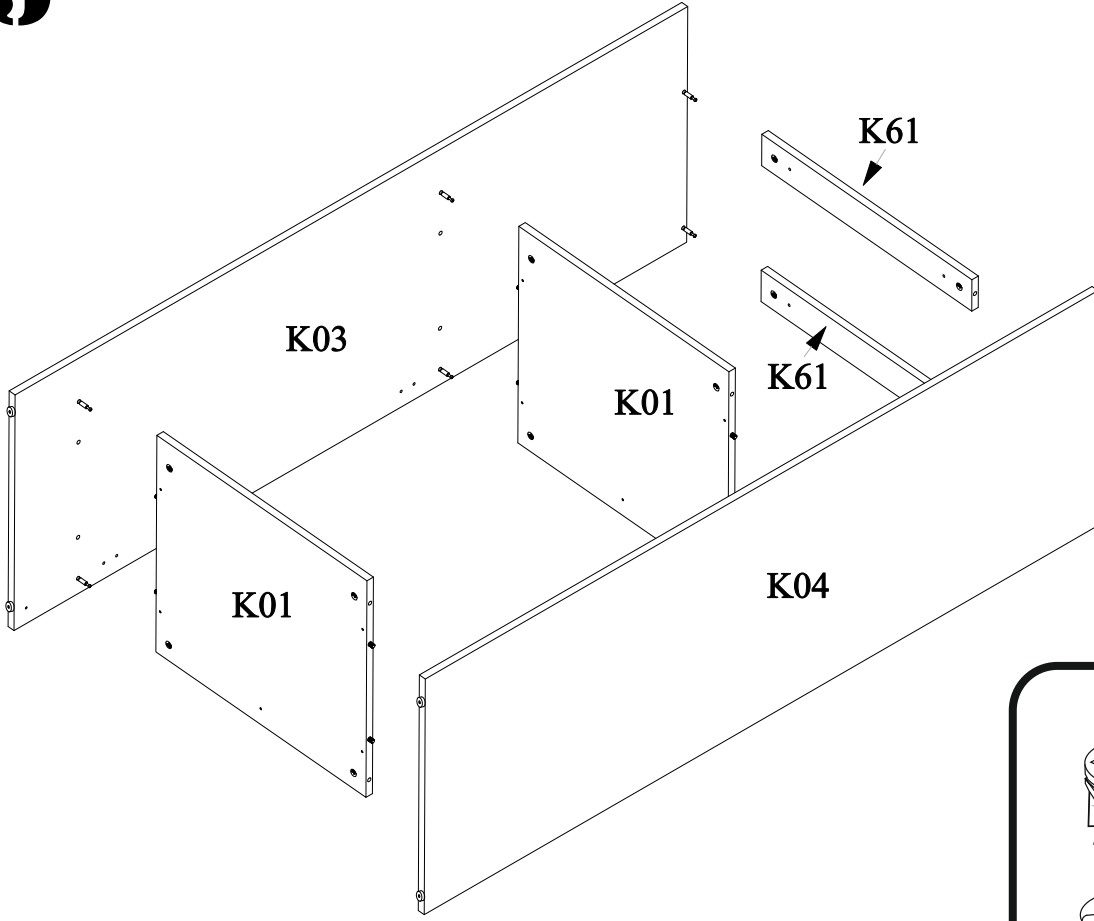
**3**

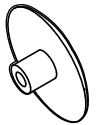


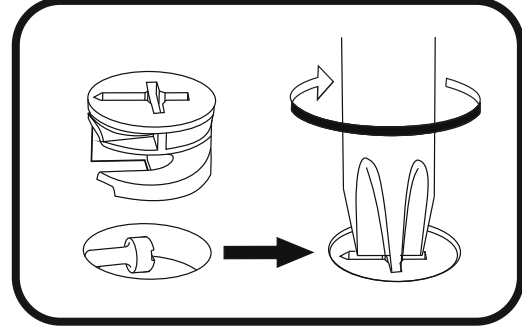
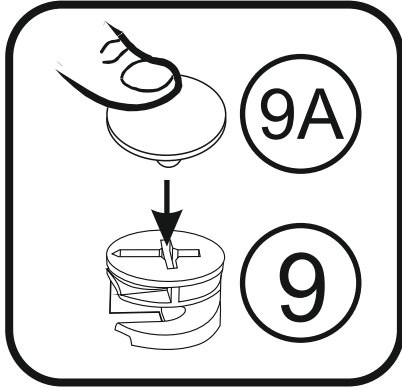
**4**



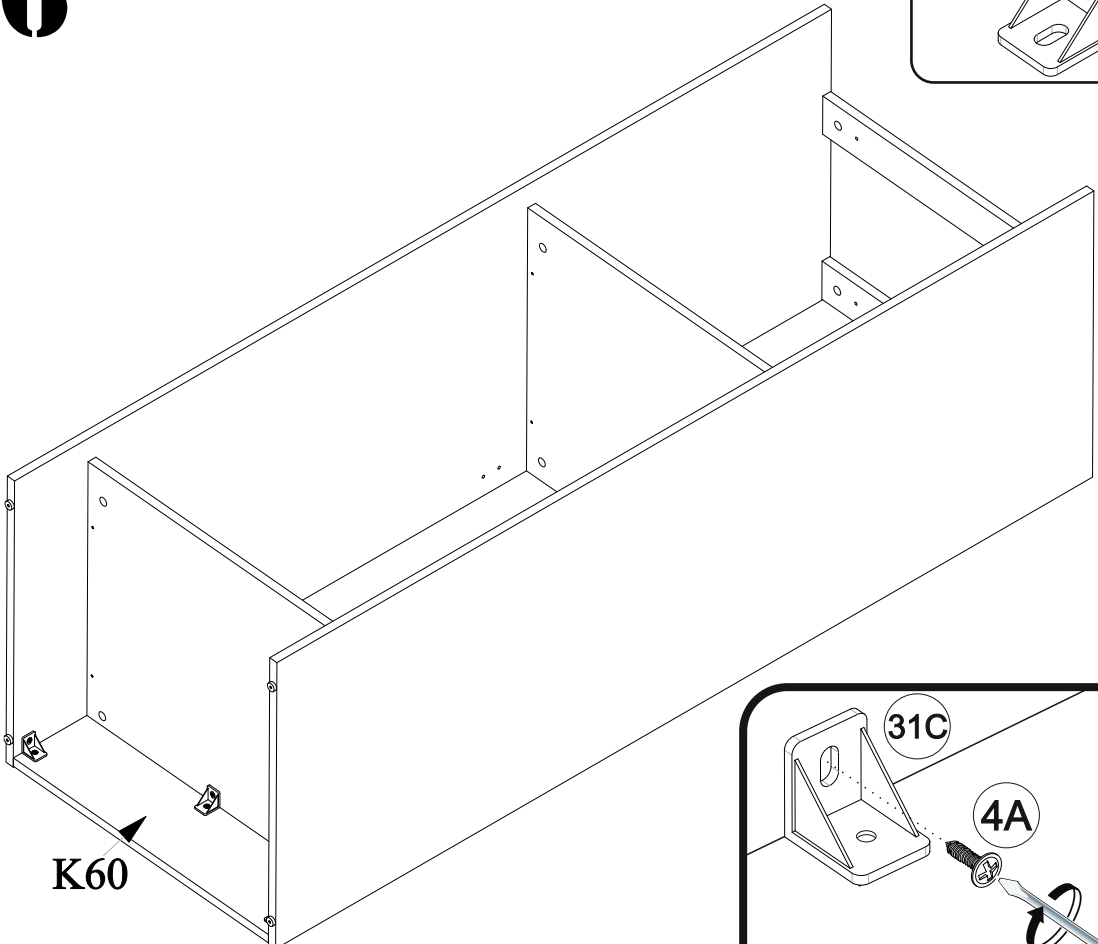
# 5

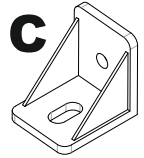


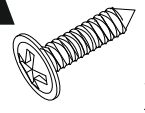
**9A**  x12

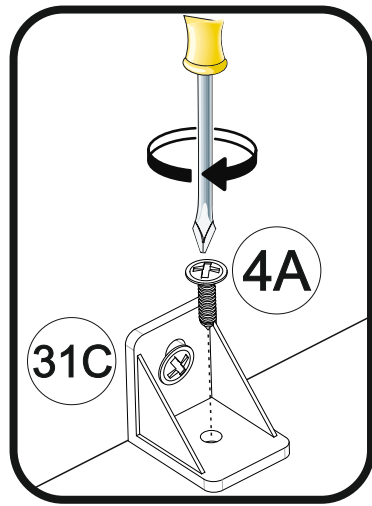
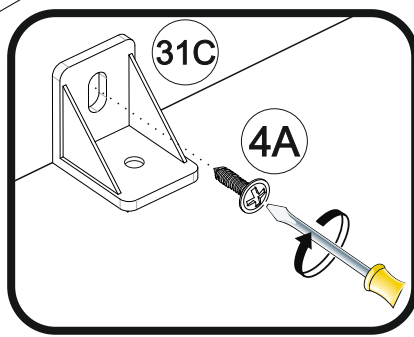


# 6

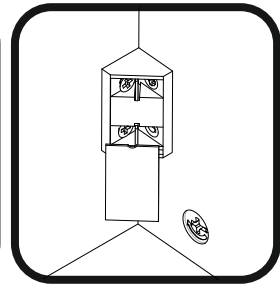
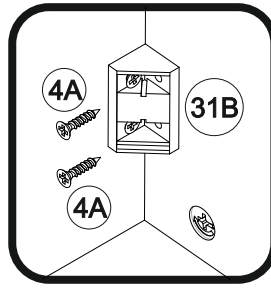
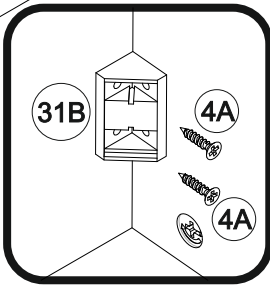
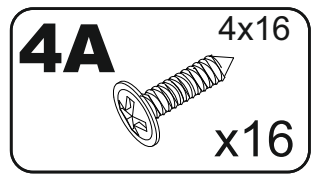
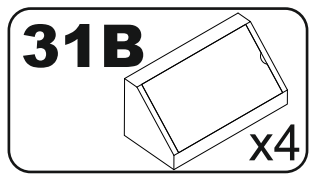
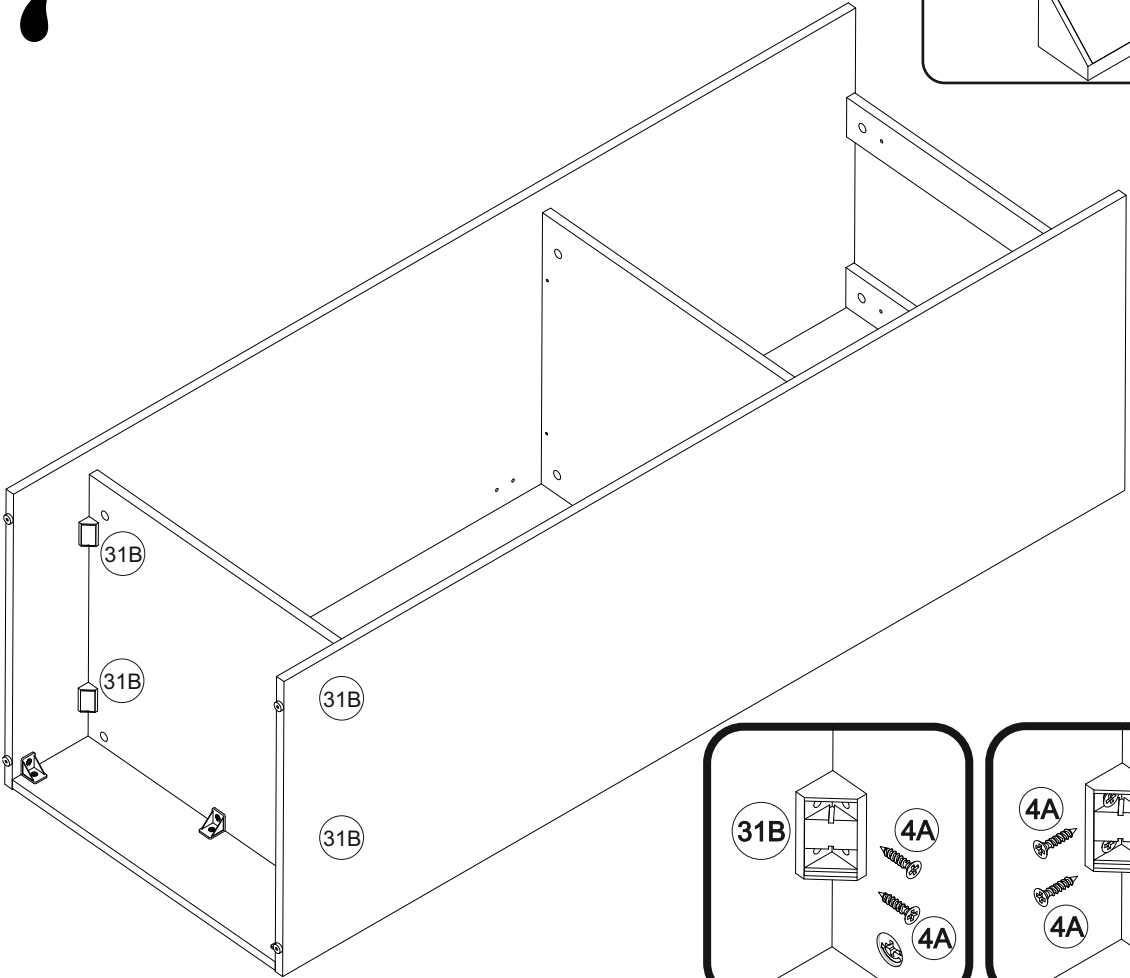


**31C**  x3

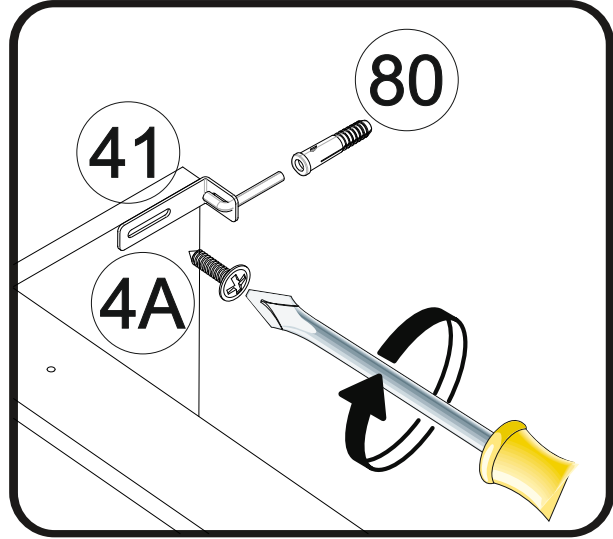
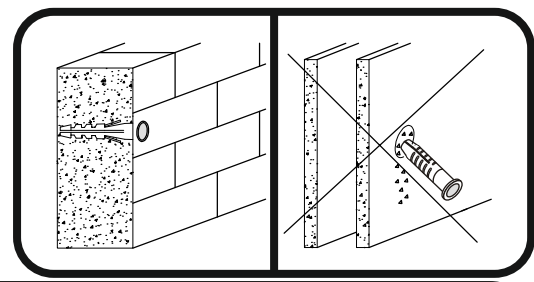
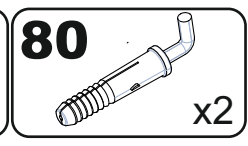
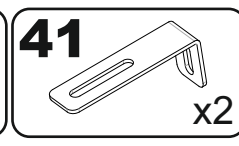
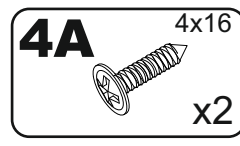
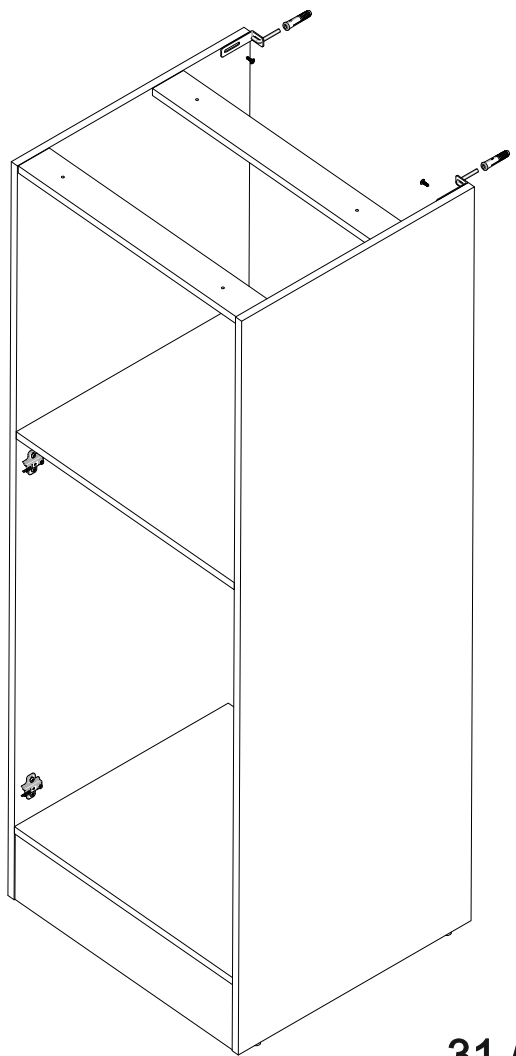
**4A**  4x16 x6



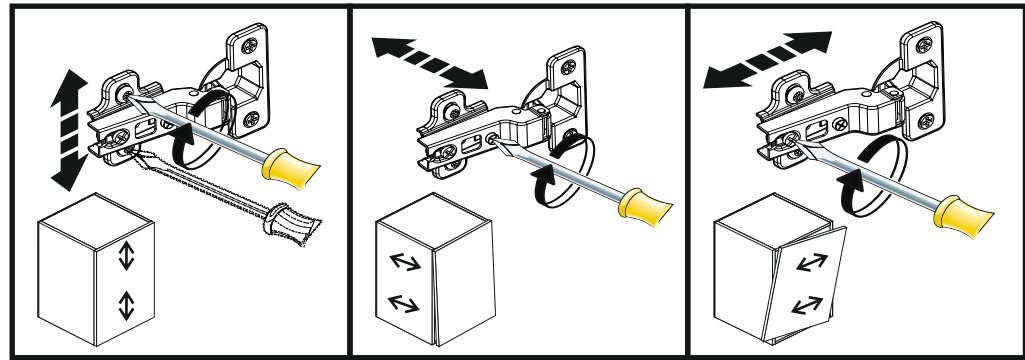
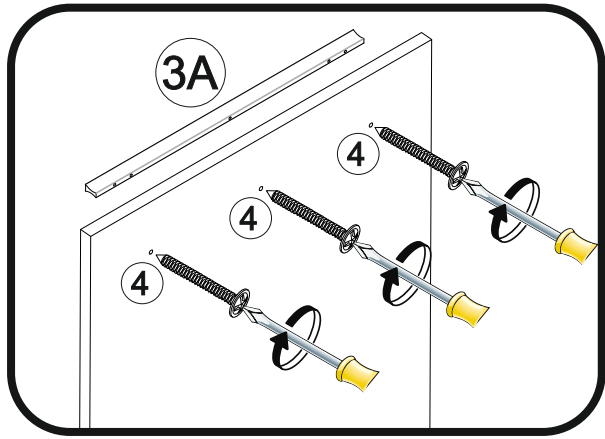
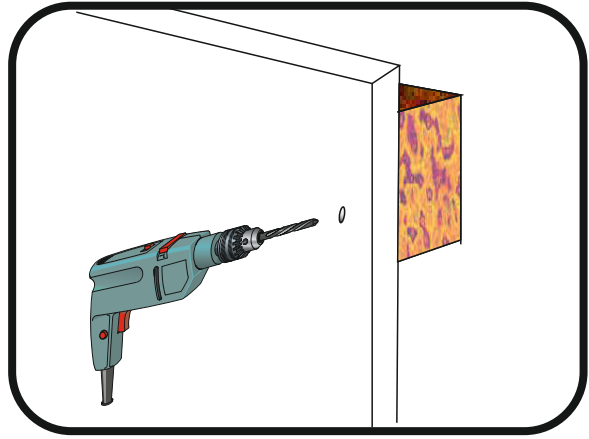
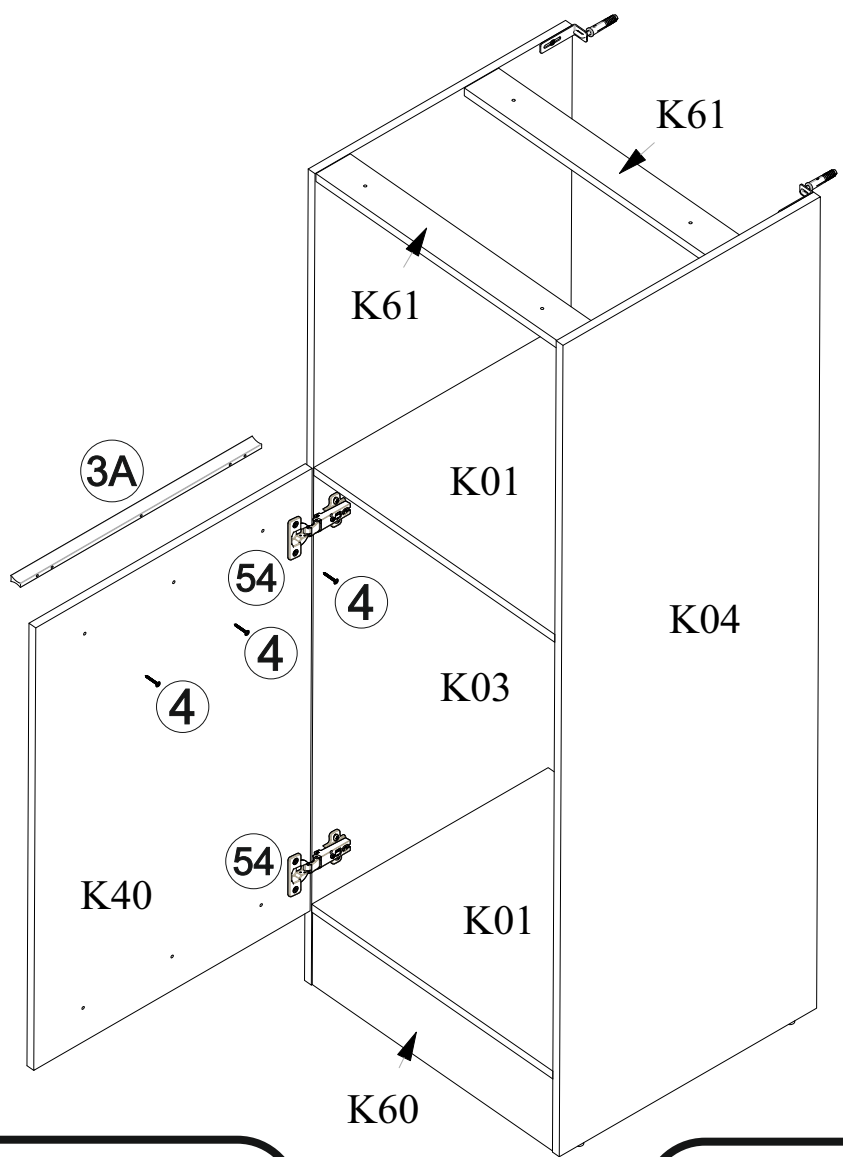
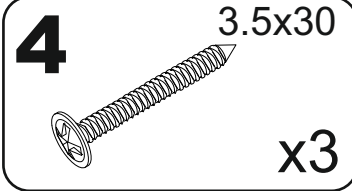
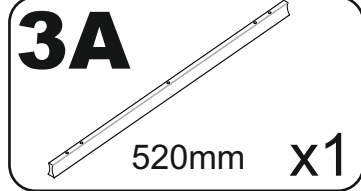
7



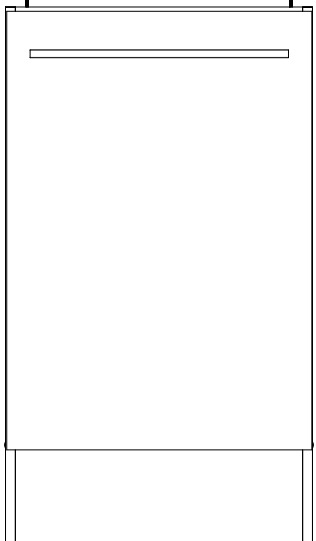
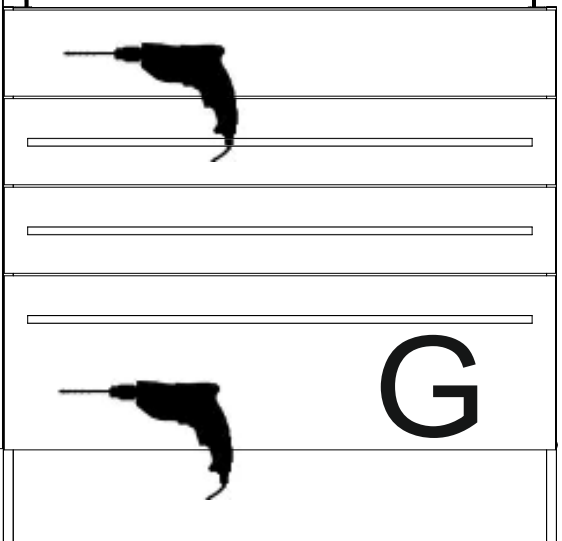
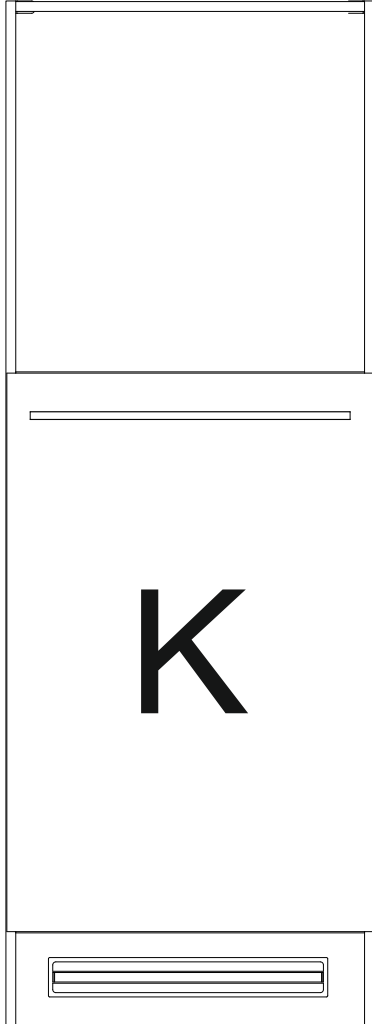
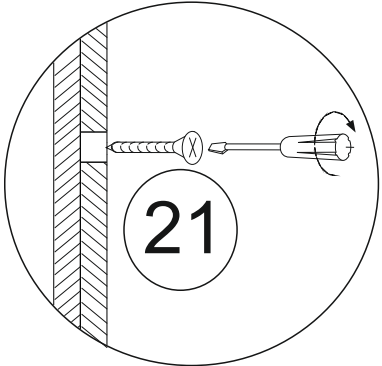
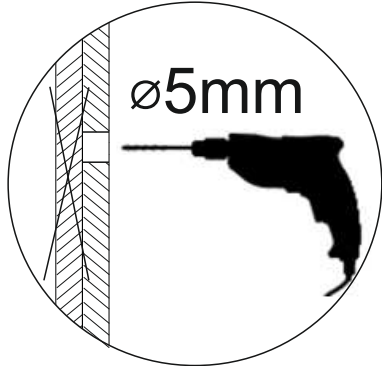
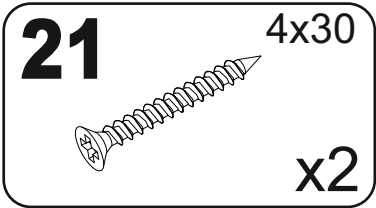
8



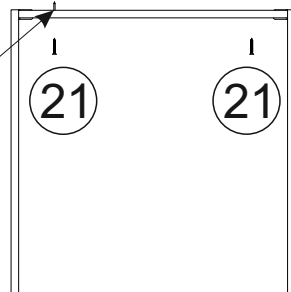
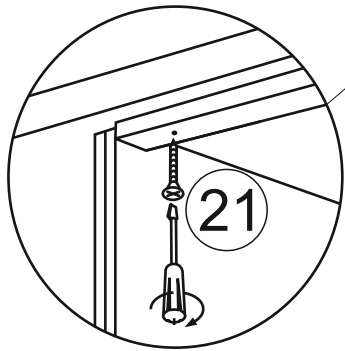
# 9



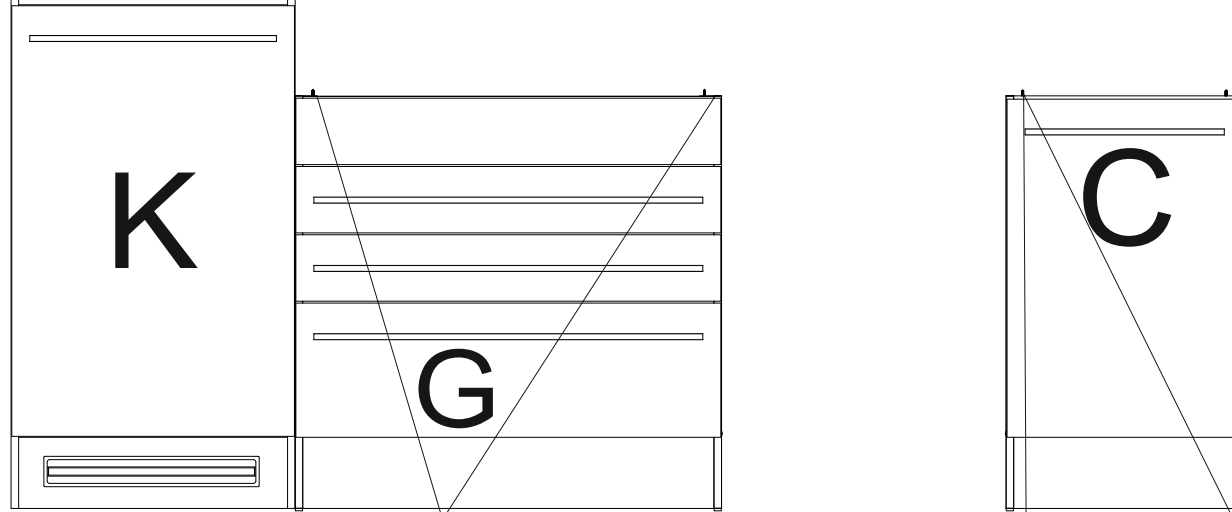




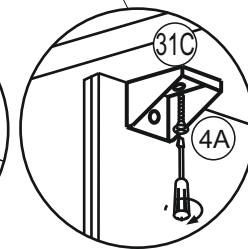
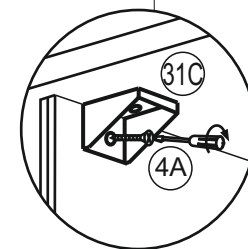
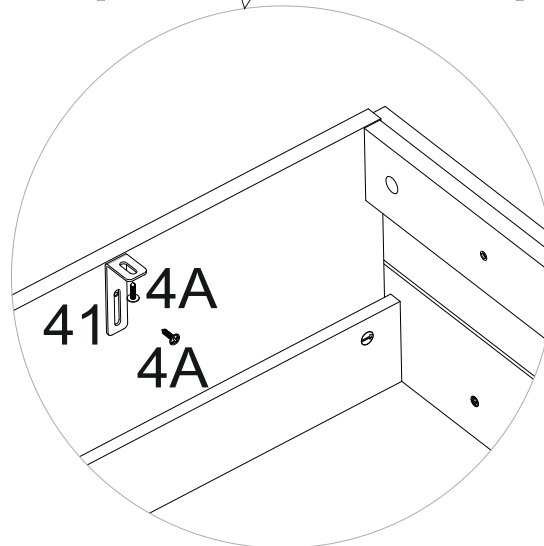
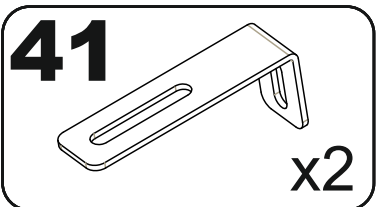
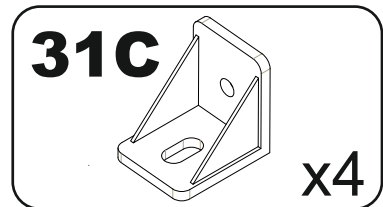
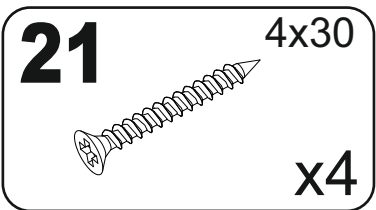
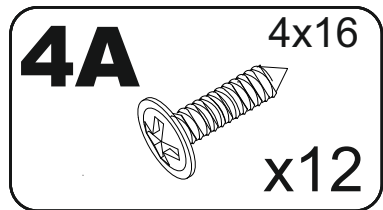
K02



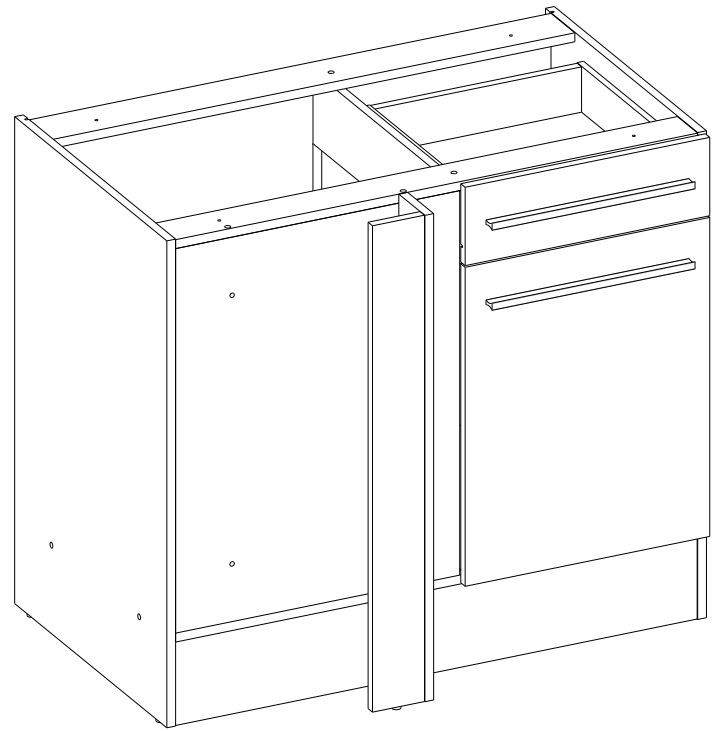
Z01



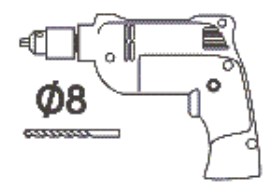
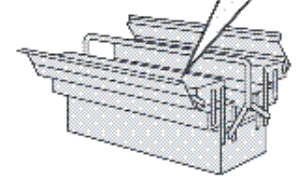
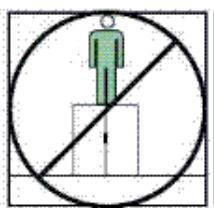
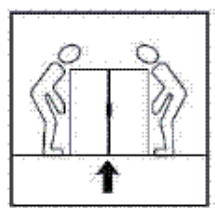
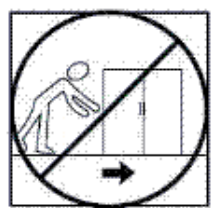
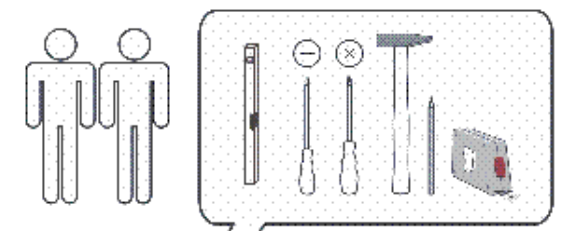
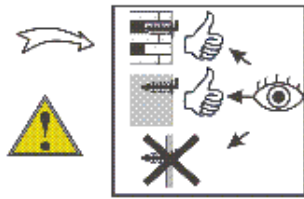
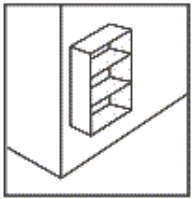
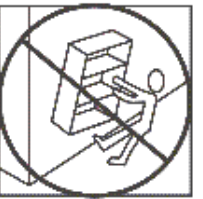
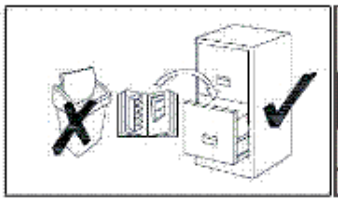
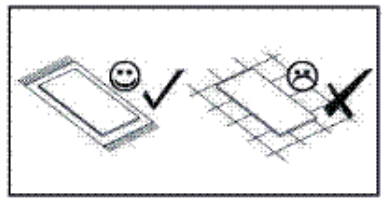
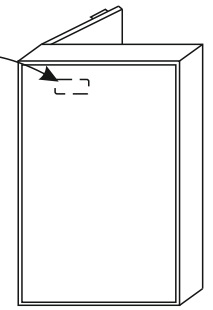
34 / 34

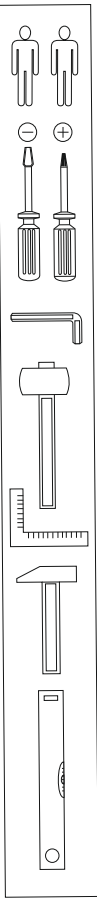


# A



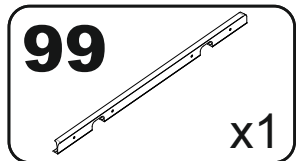
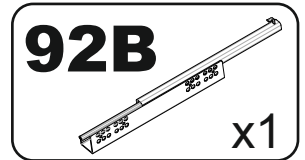
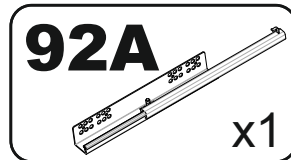
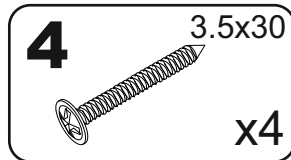
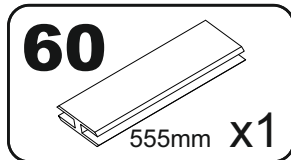
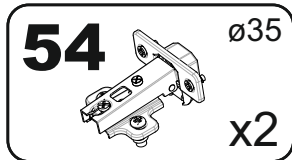
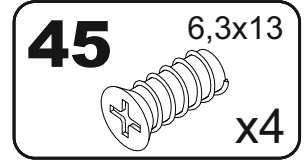
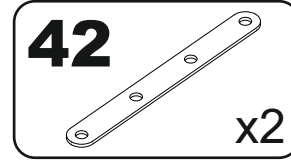
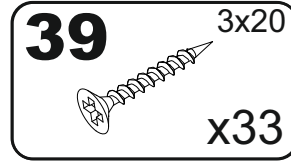
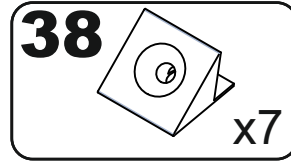
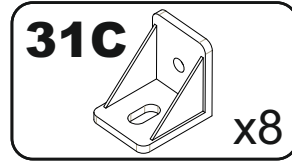
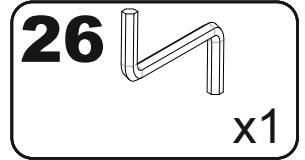
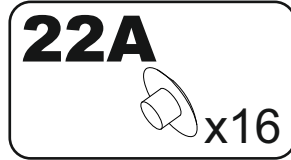
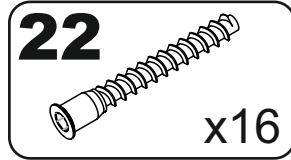
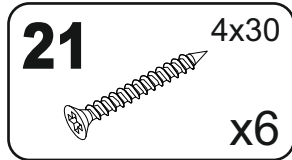
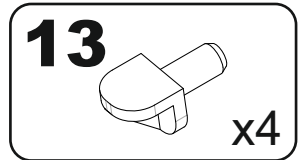
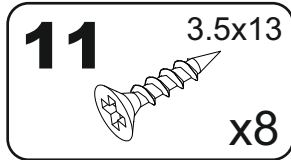
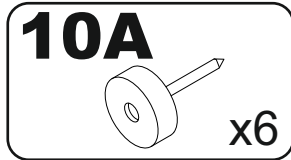
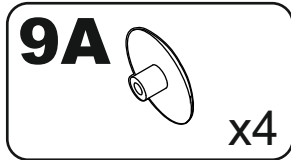
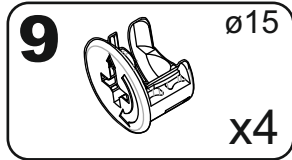
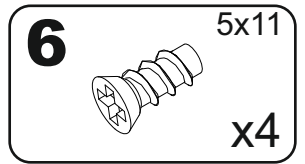
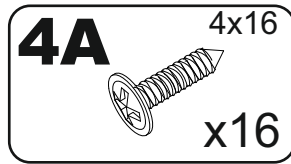
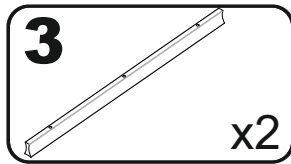
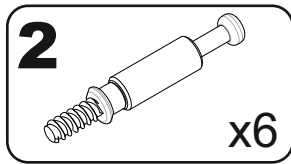
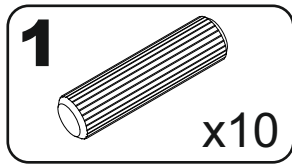
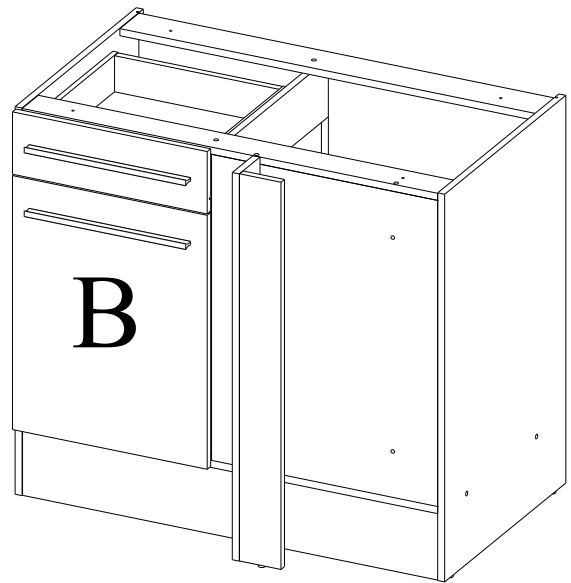
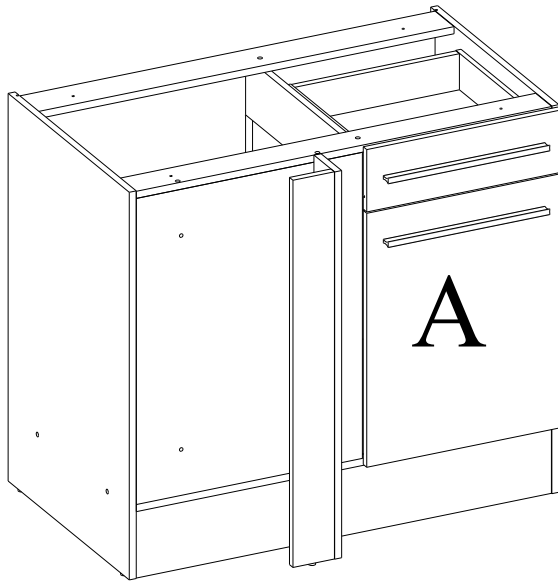
XXXXXXXXXX  
..... serie: xxx  
.....  
Hergestellt für:  
.....  
.....



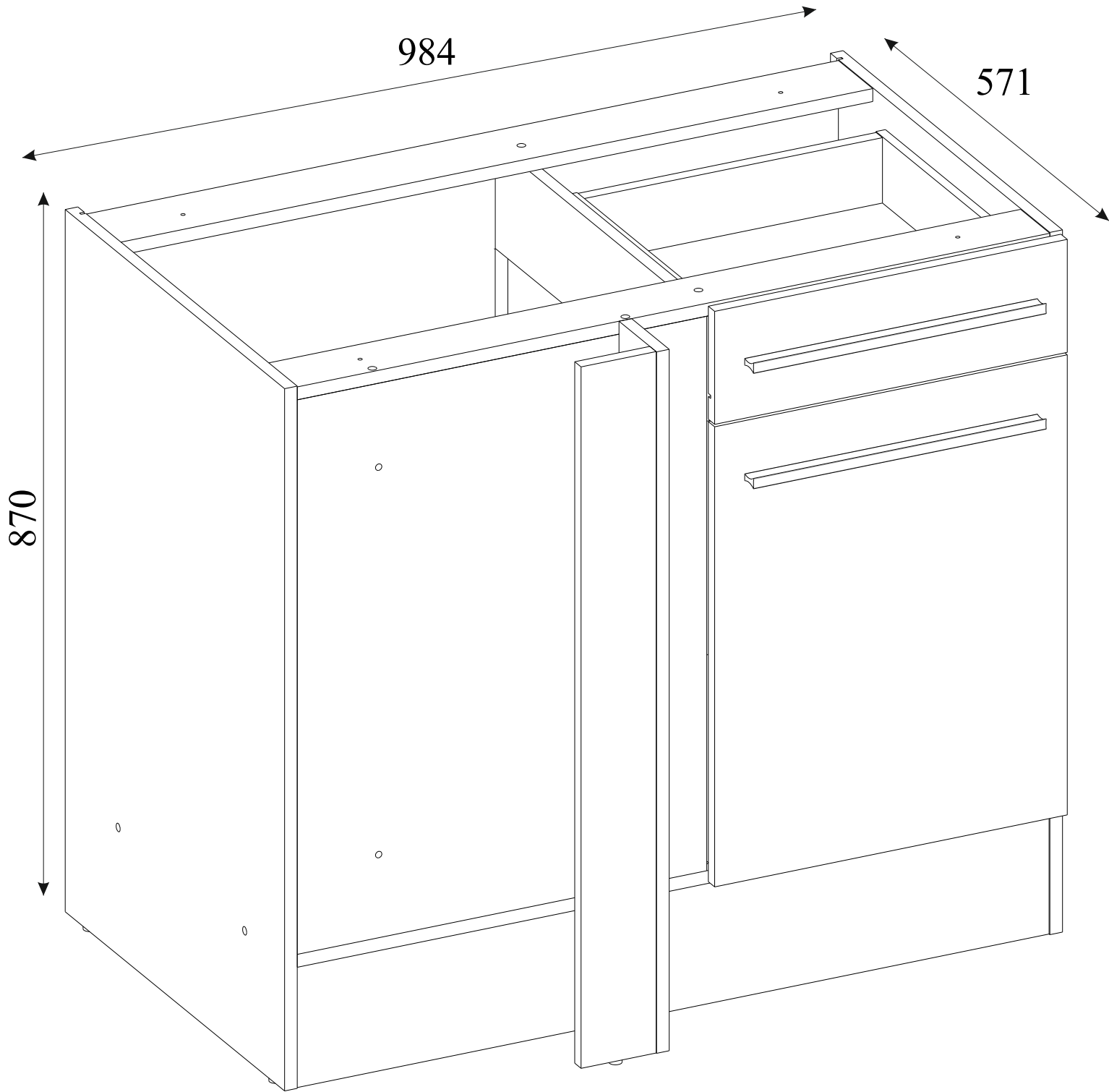


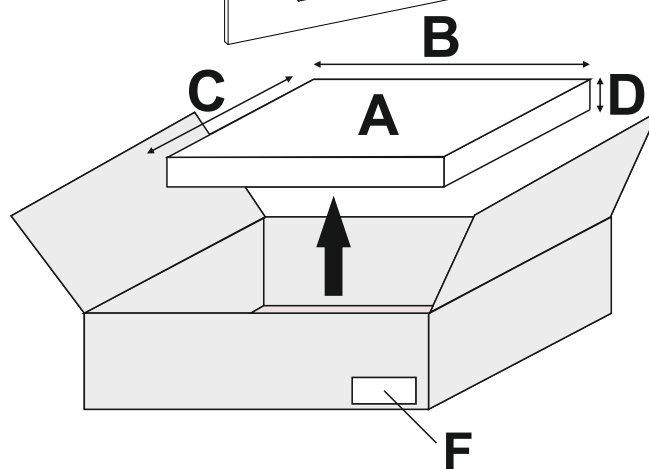
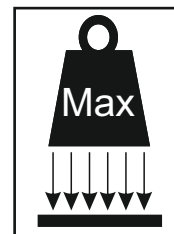
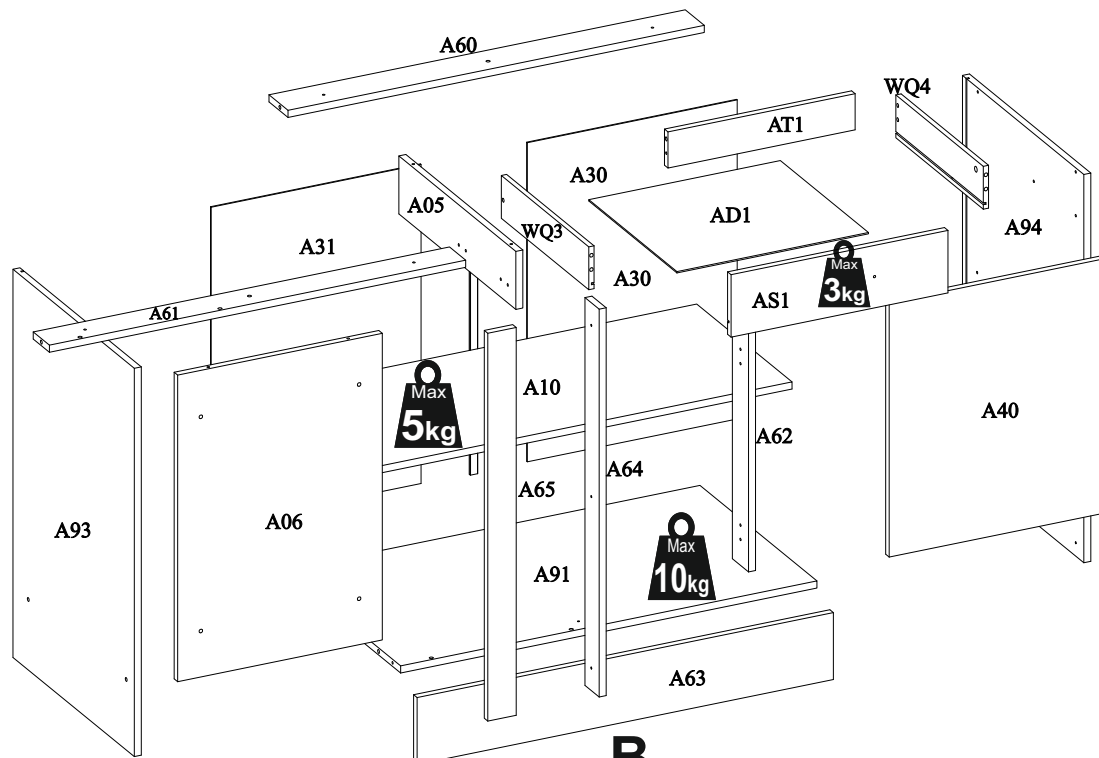
A.VERSION-LINKS/LEFT

B.VERSION-RECHTS/RIGHT



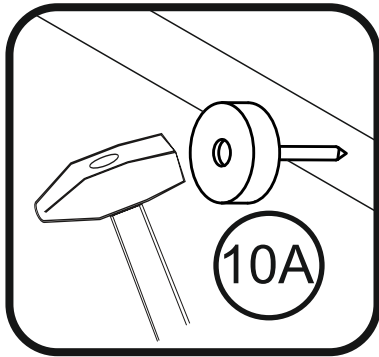
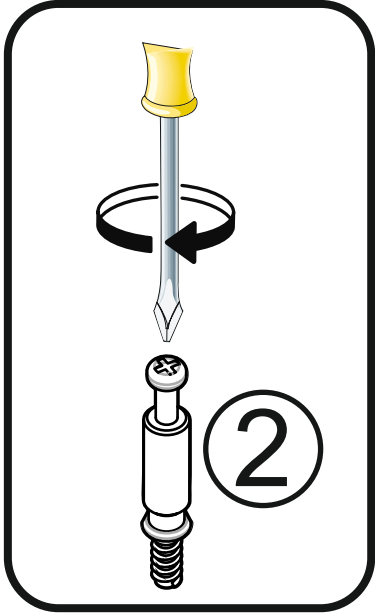
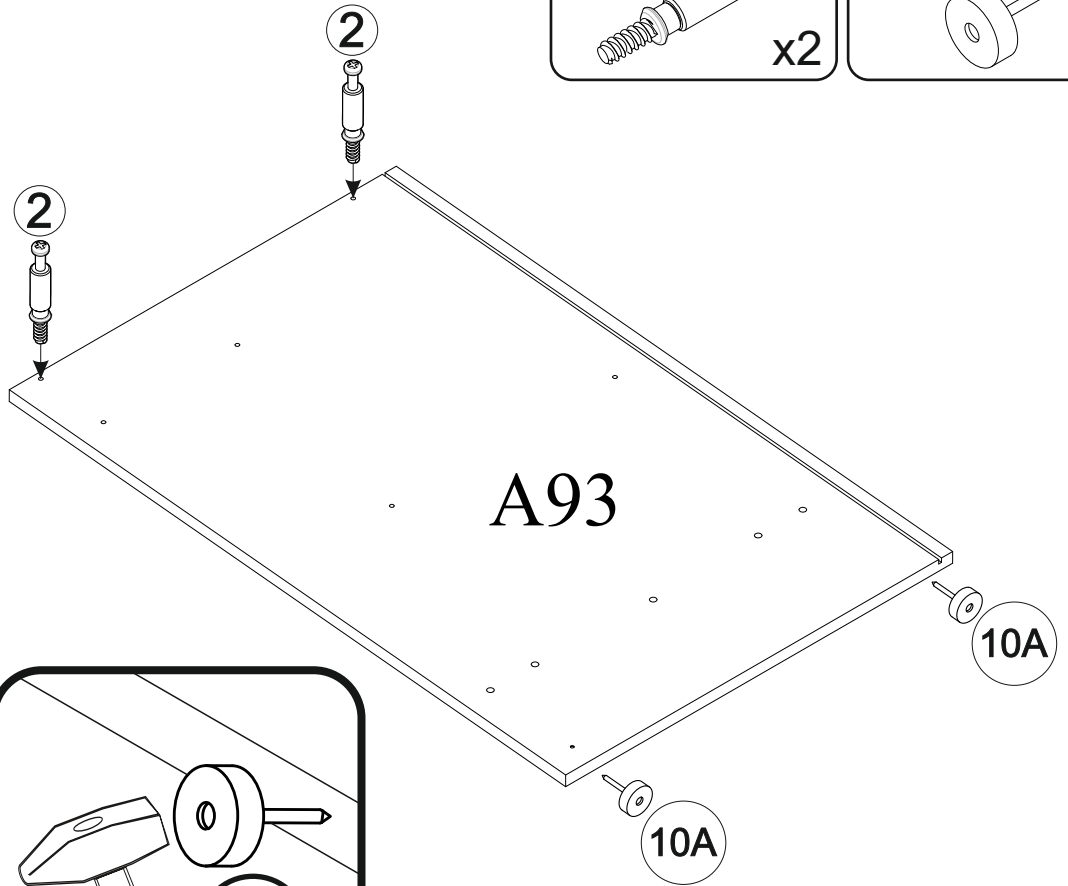
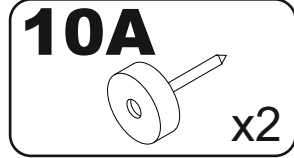
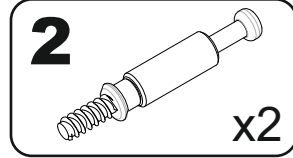
# A. VERSION-LINKS/LEFT



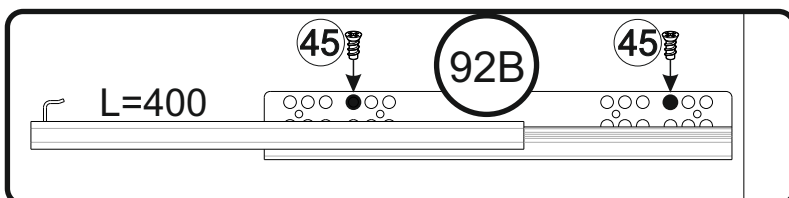
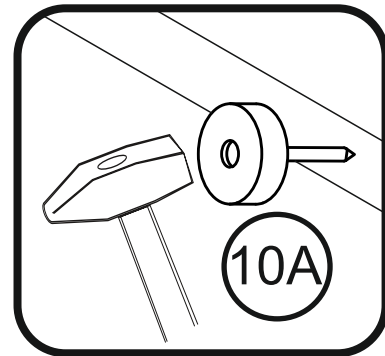
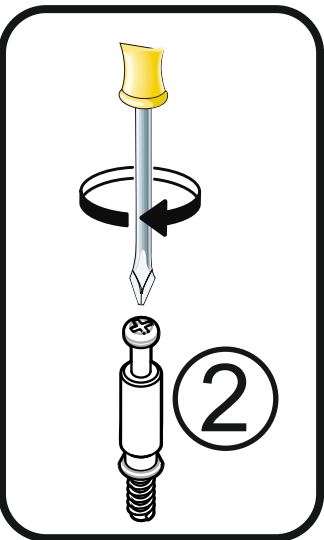
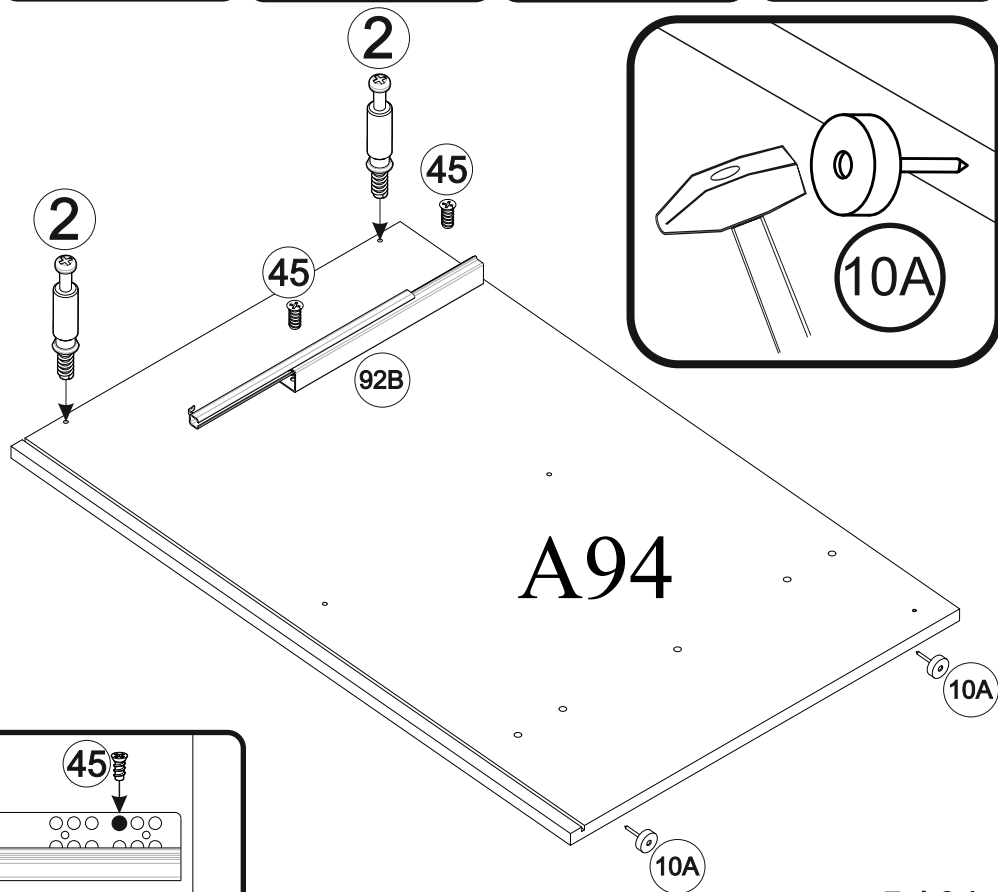
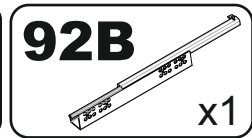
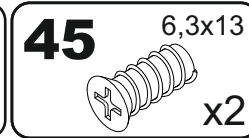
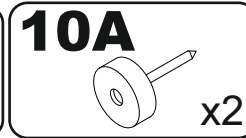
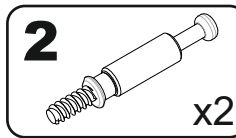


| A   | B_(mm) | C_(mm) | D_(mm) | E | F   |
|-----|--------|--------|--------|---|-----|
| A91 | 952    | 535    | 16     | 1 | 2 2 |
| A93 | 870    | 555    | 16     | 1 | 2 2 |
| A94 | 870    | 555    | 16     | 1 | 2 2 |
| A05 | 535    | 130    | 16     | 1 | 2 2 |
| A06 | 687    | 518    | 16     | 1 | 2 2 |
| A10 | 952    | 436    | 16     | 1 | 2 2 |
| A30 | 715    | 430    | 3      | 1 | 2 2 |
| A31 | 715    | 530    | 3      | 1 | 2 2 |
| A40 | 570    | 446    | 16     | 1 | 2 2 |
| A60 | 952    | 87     | 16     | 1 | 2 2 |
| A61 | 952    | 74     | 16     | 1 | 2 2 |
| A62 | 557    | 74     | 16     | 1 | 2 2 |
| A63 | 952    | 150    | 16     | 1 | 2 2 |
| A64 | 869    | 95     | 16     | 1 | 2 2 |
| A65 | 869    | 95     | 16     | 1 | 2 2 |
| AD1 | 388    | 403    | 3      | 1 | 2 2 |
| AS1 | 446    | 140    | 16     | 1 | 2 2 |
| AT1 | 378    | 81     | 16     | 1 | 2 2 |
| WQ3 | 400    | 96     | 12     | 1 | 2 2 |
| WQ4 | 400    | 96     | 12     | 1 | 2 2 |
| Z01 | 1150   | 600    | 28     | 1 | 1 2 |

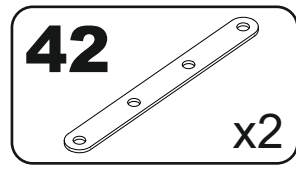
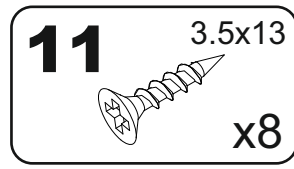
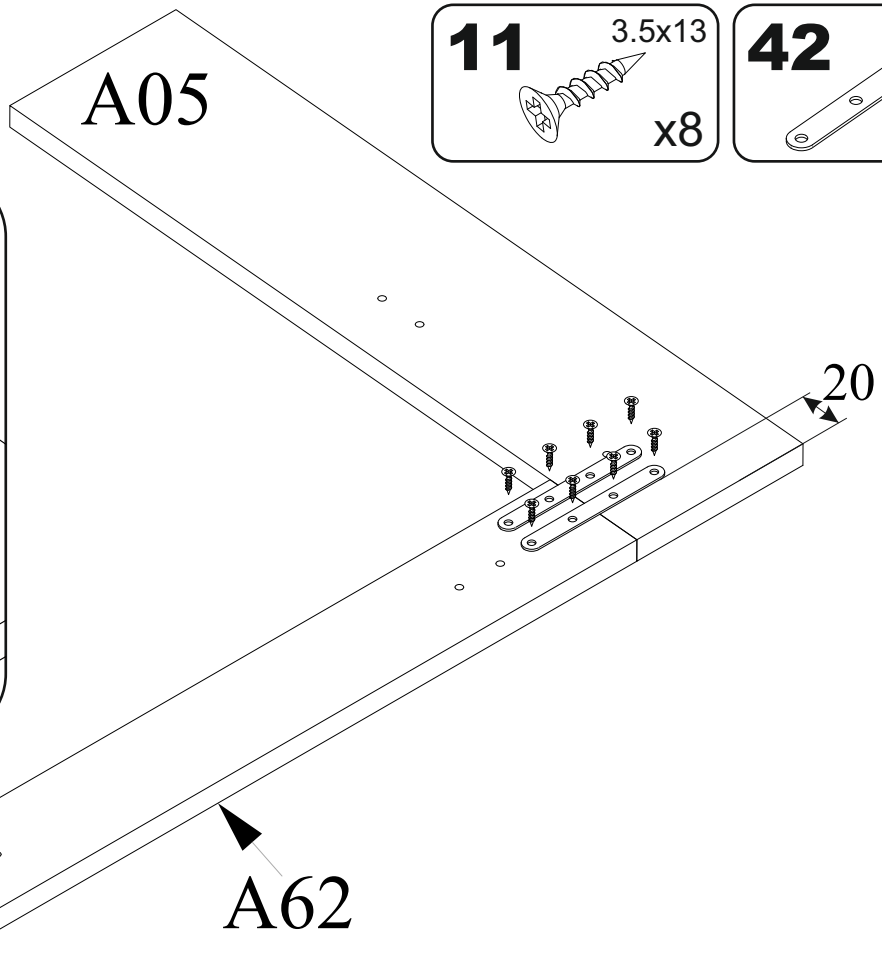
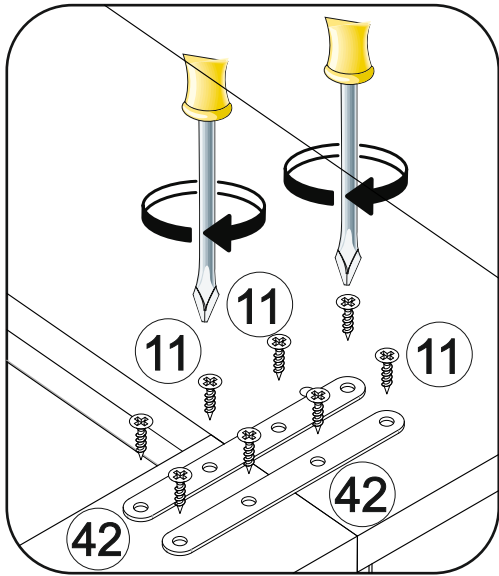
# 1



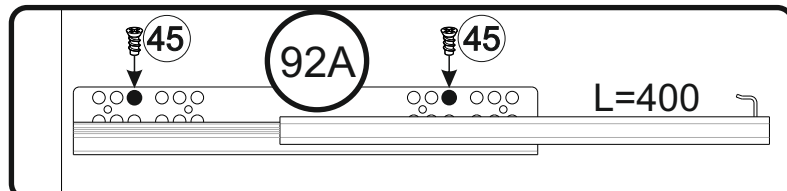
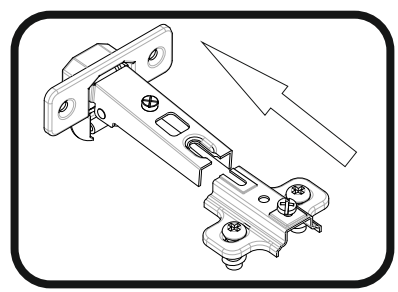
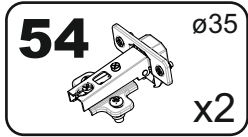
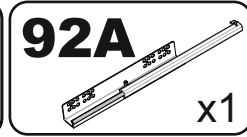
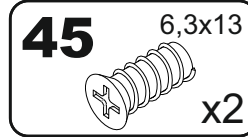
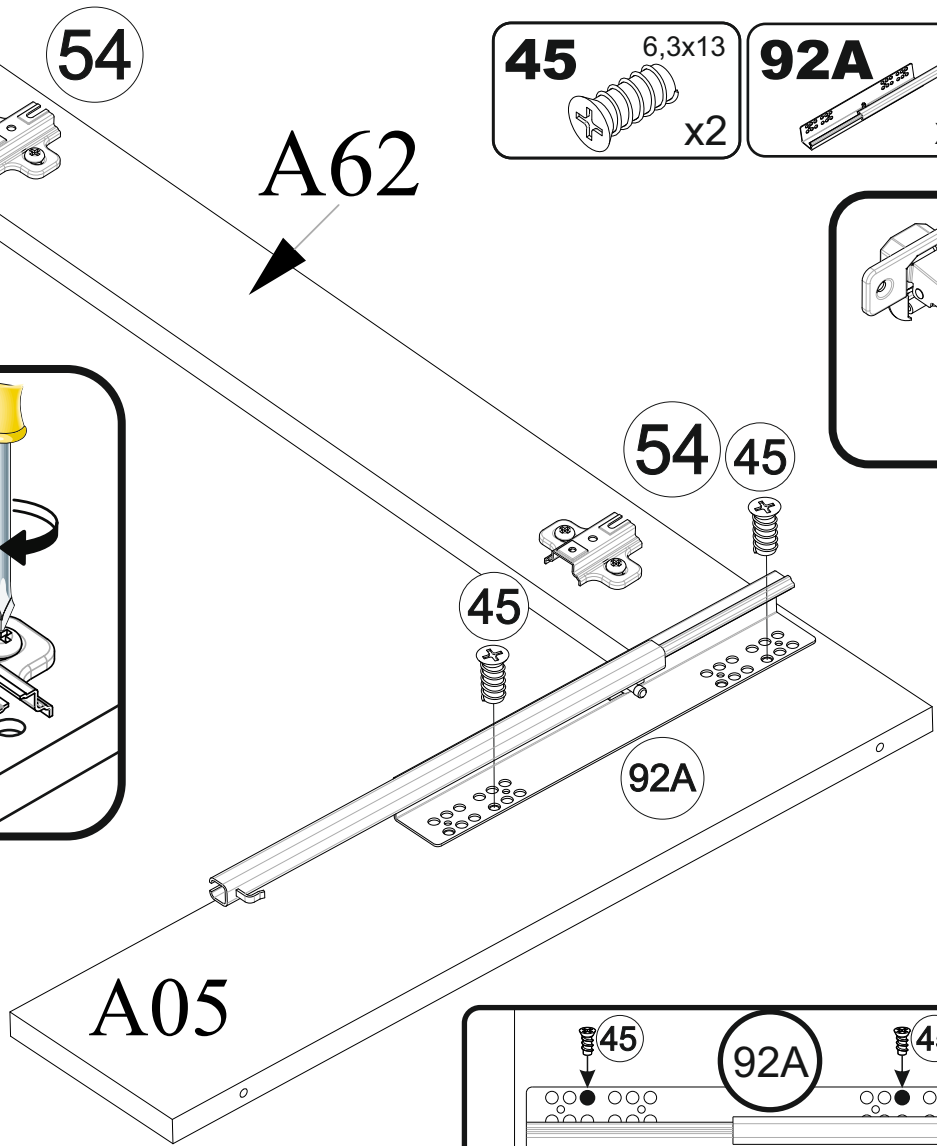
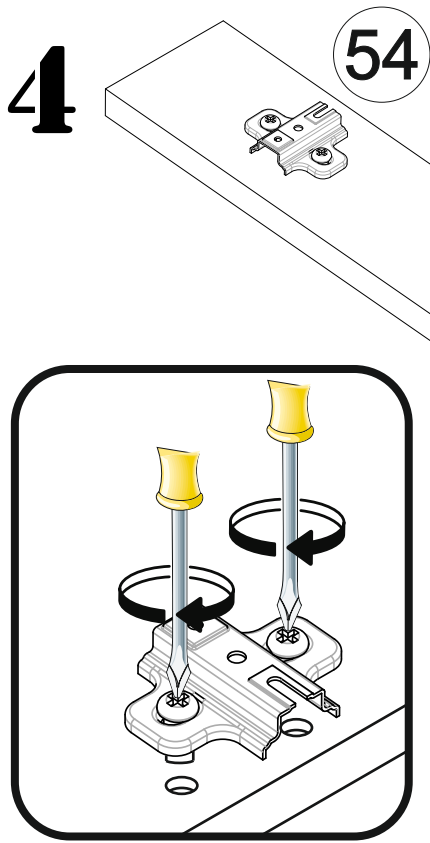
# 2



# 3



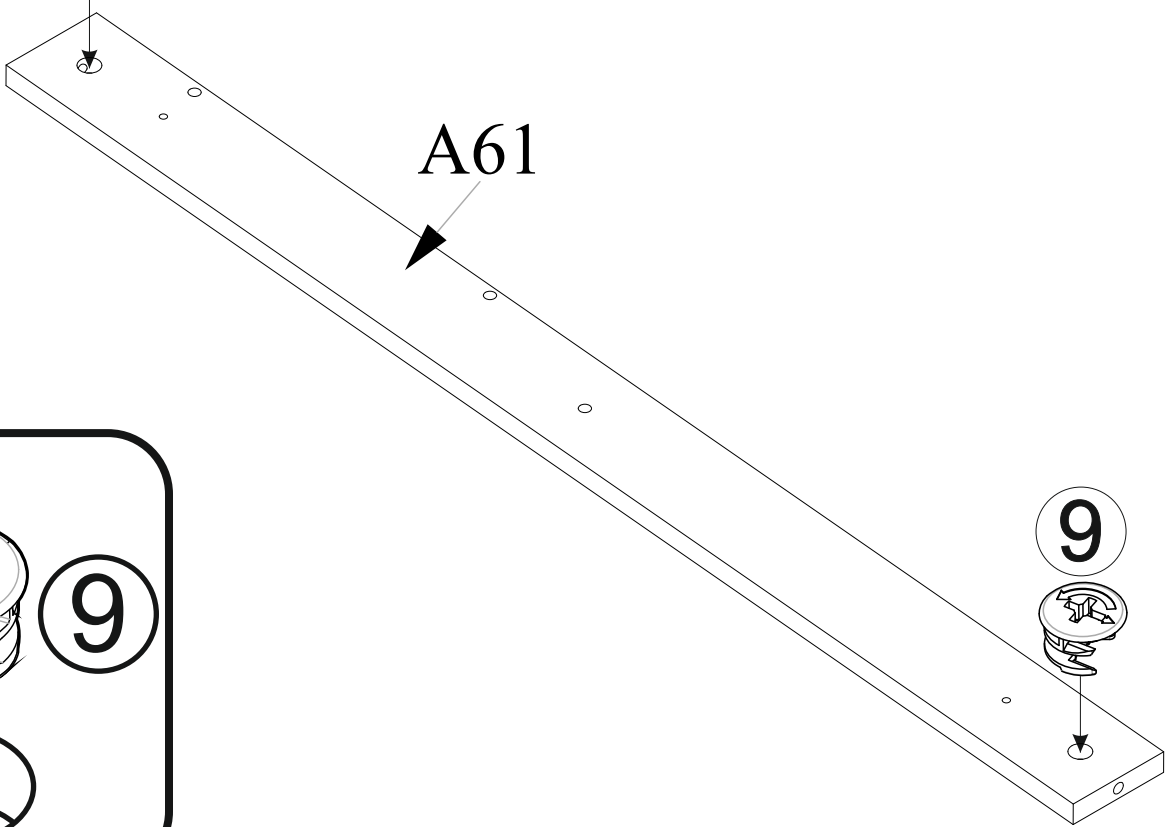
# 4



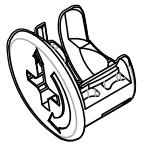


**5**

**9**

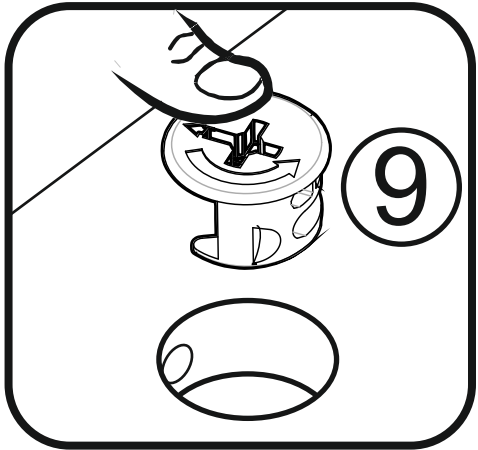


**9**



o15

x2



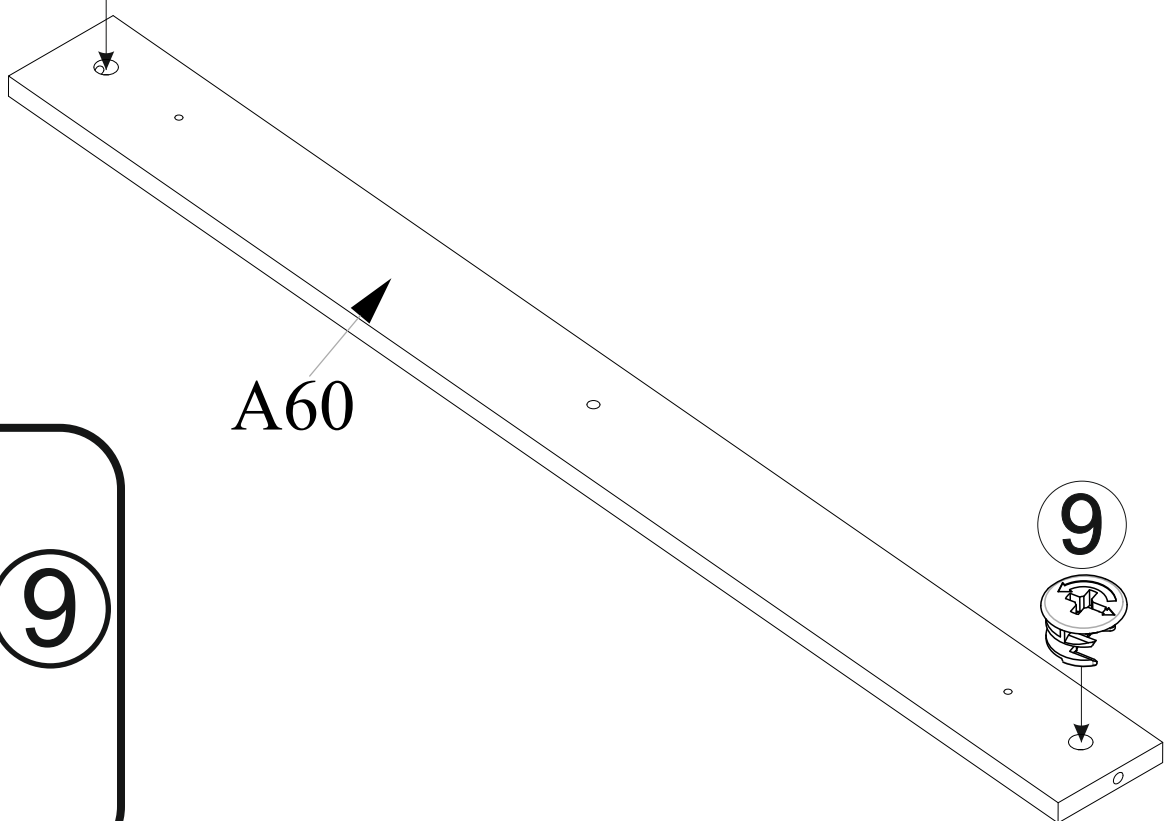
**9**

**9**

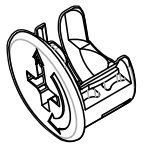


**6**

**9**

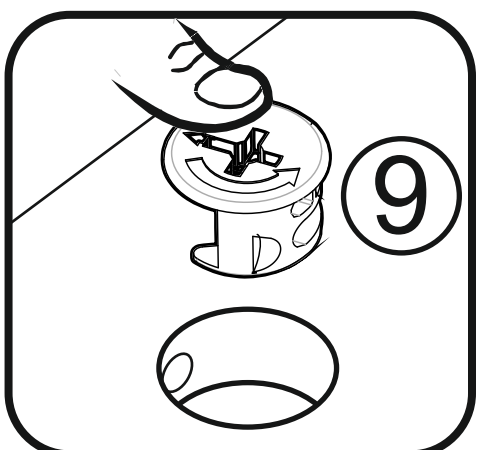


**9**



o15

x2

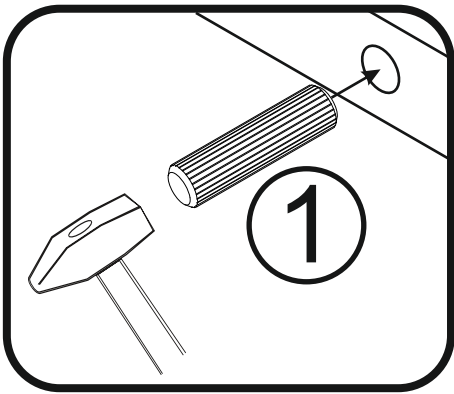
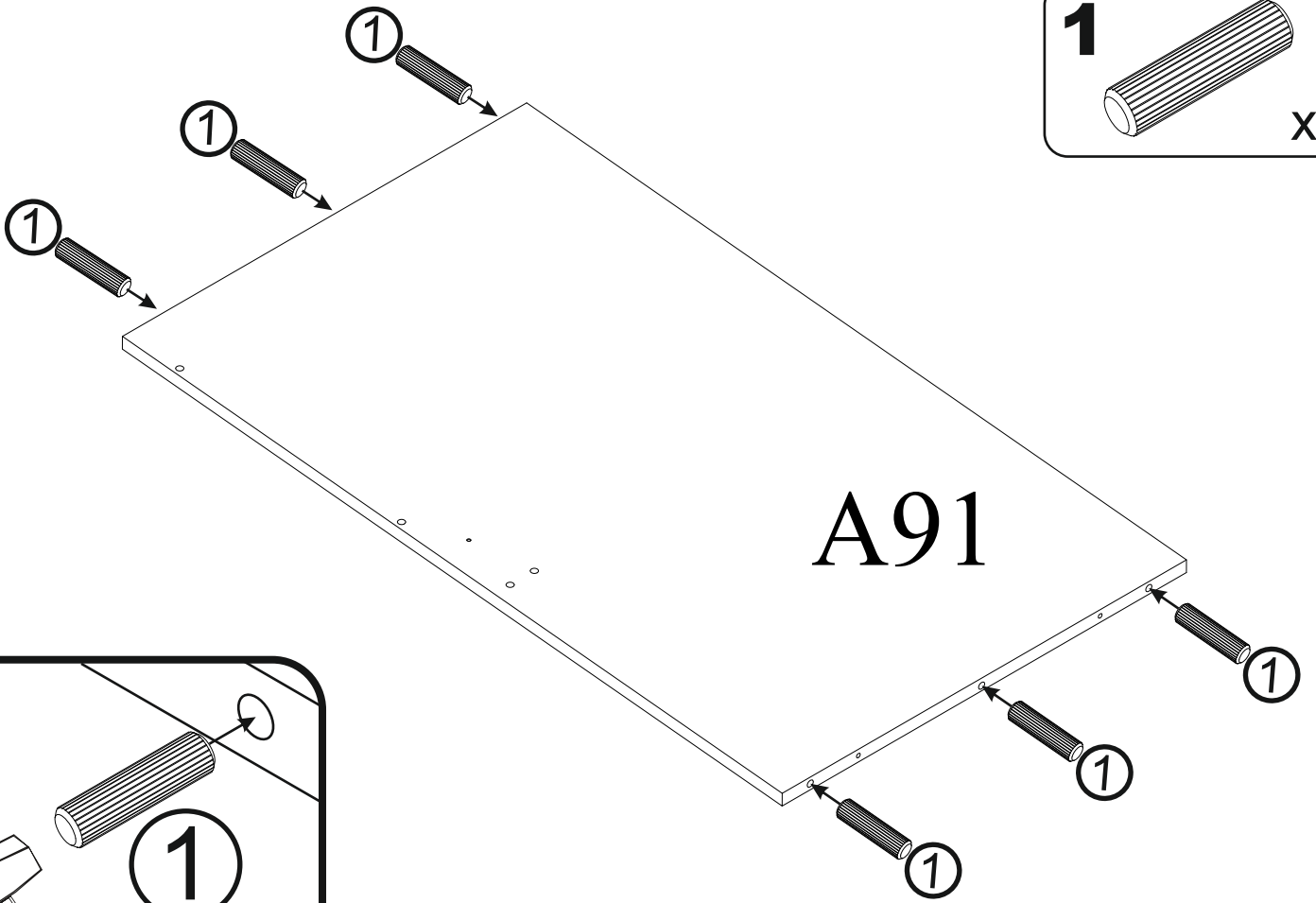
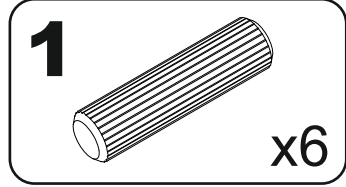


**9**

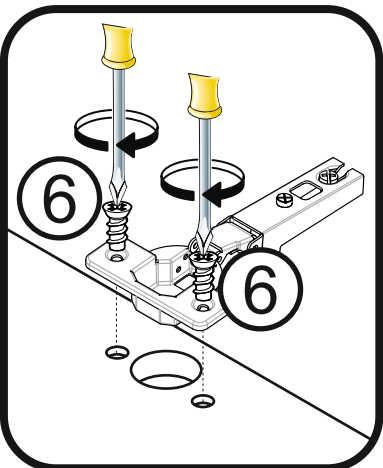
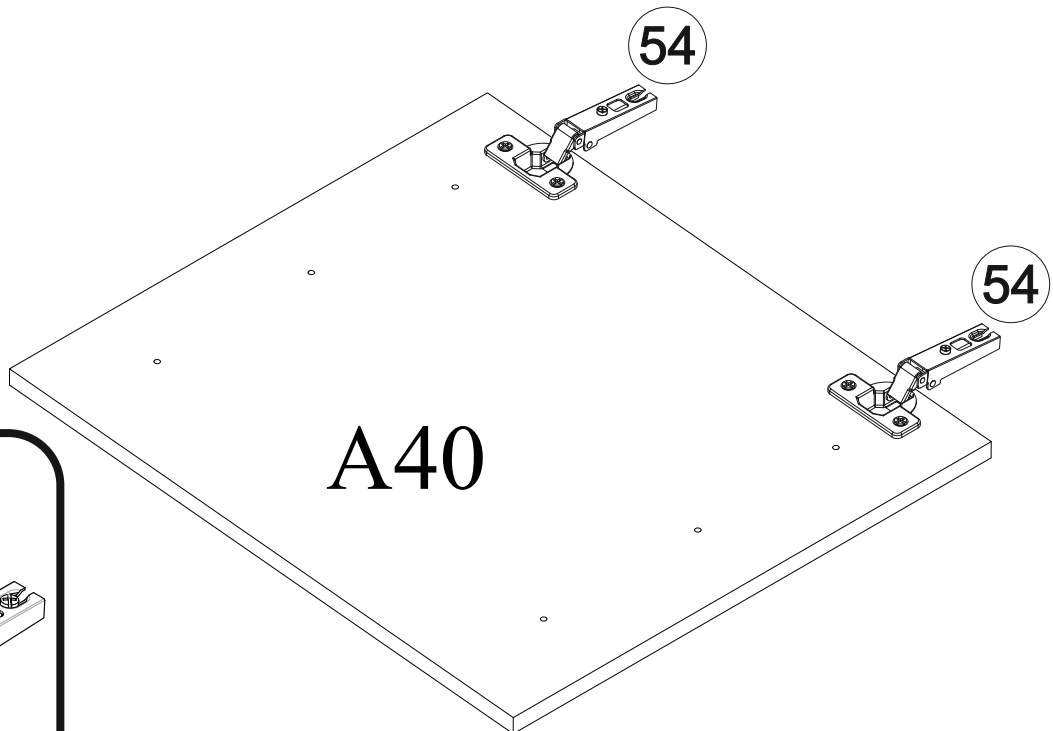
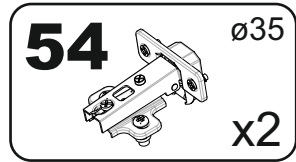
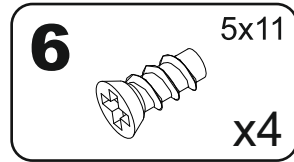
**9**



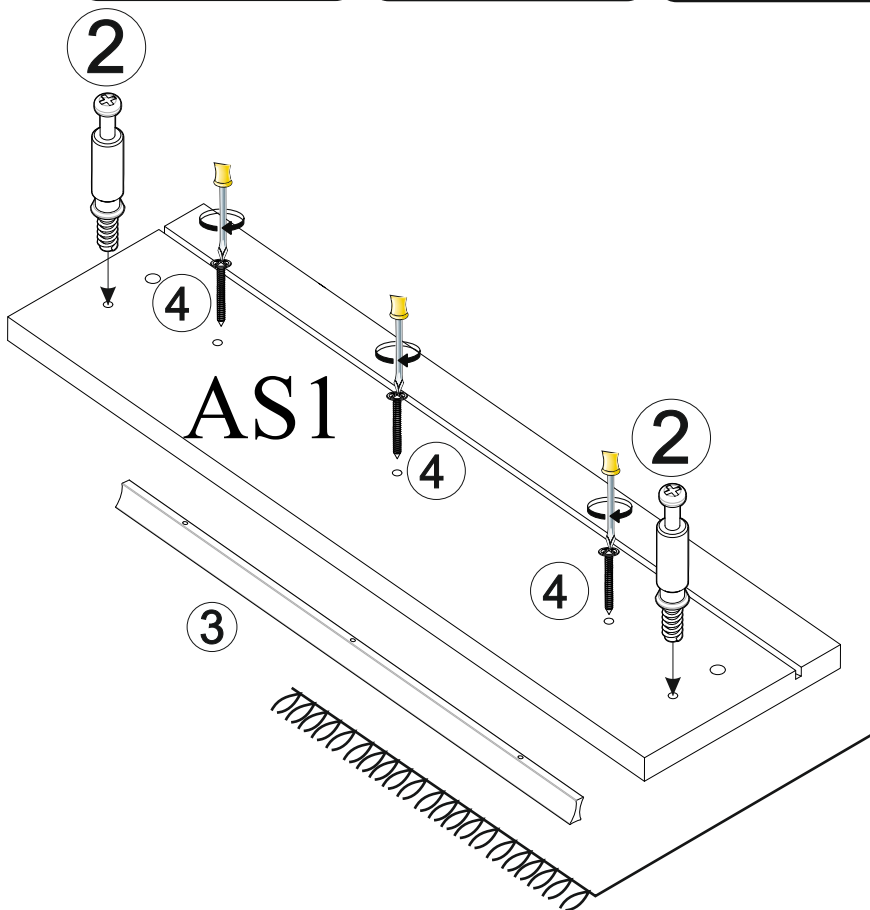
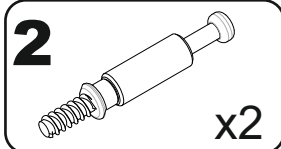
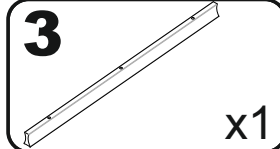
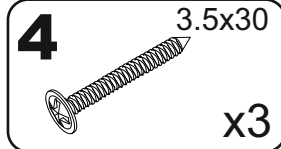
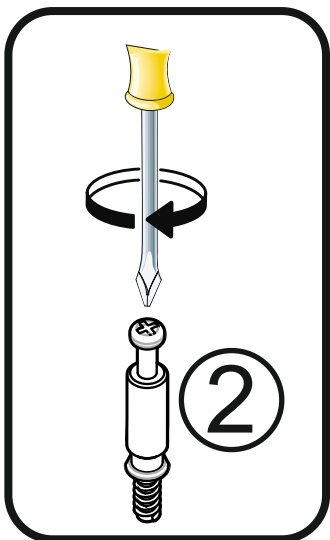
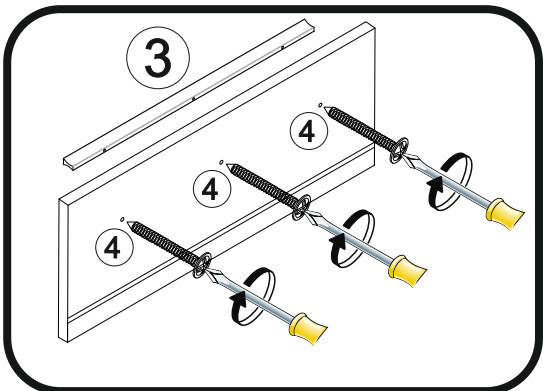
7



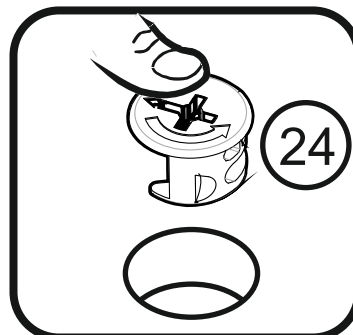
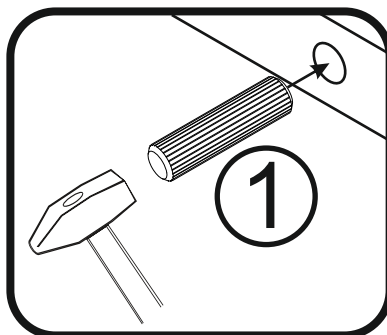
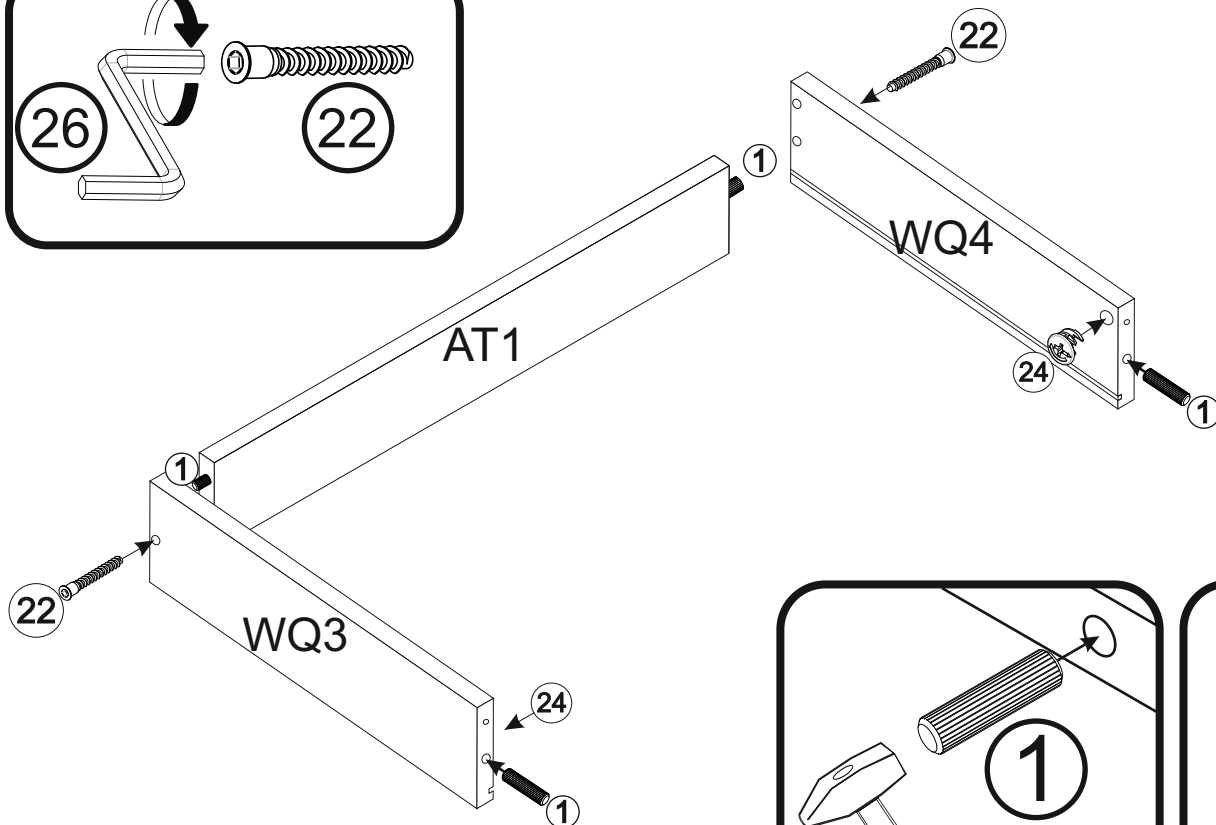
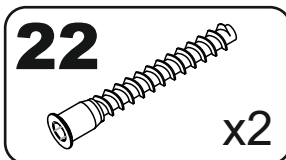
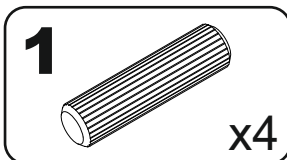
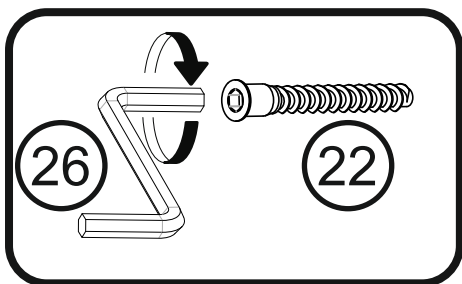
8



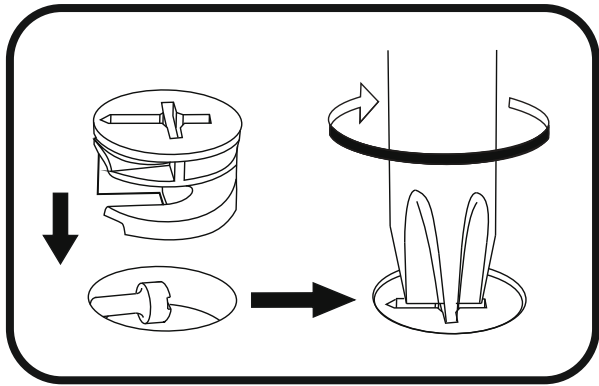
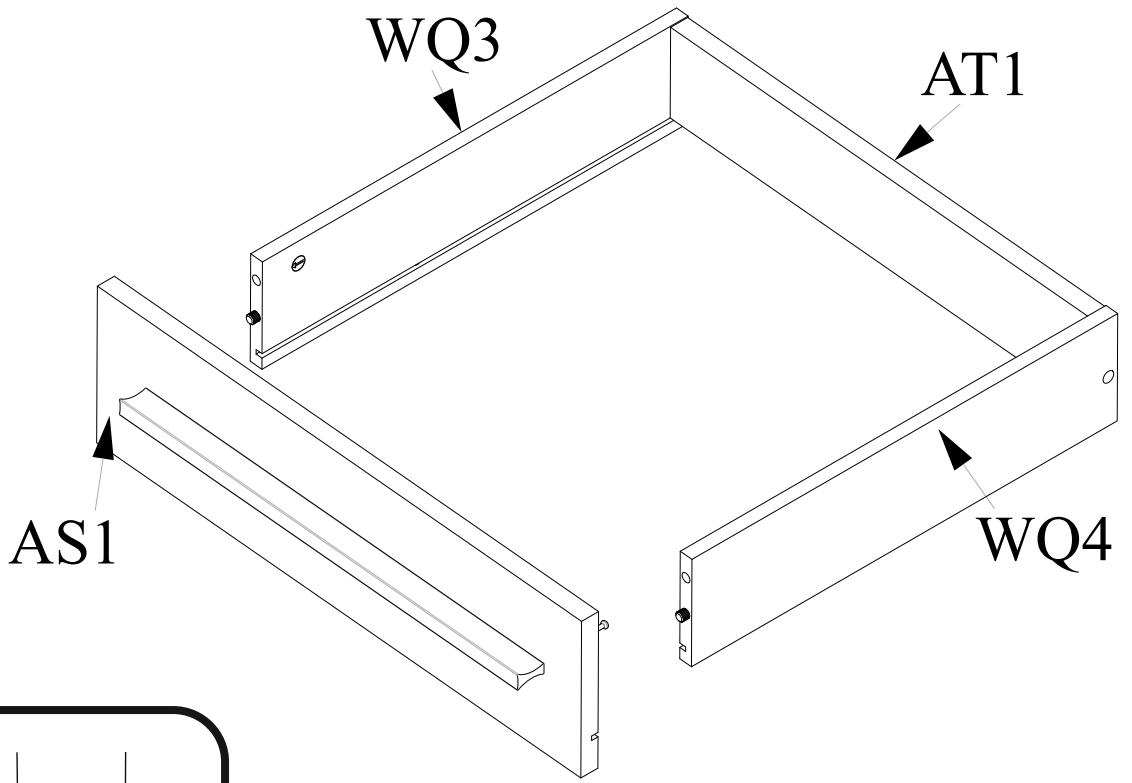
# 9



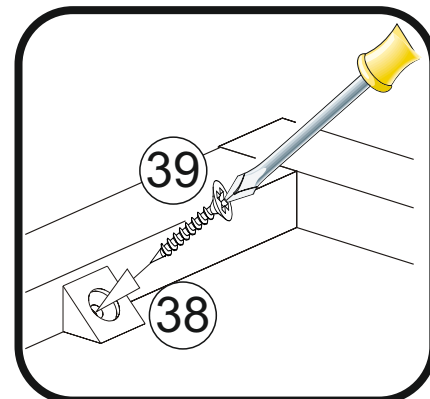
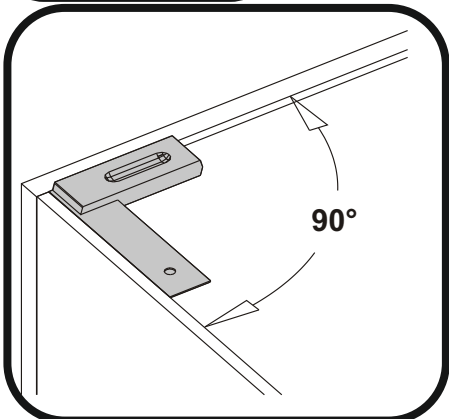
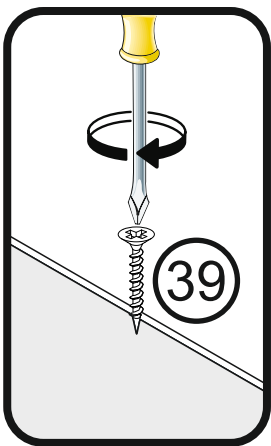
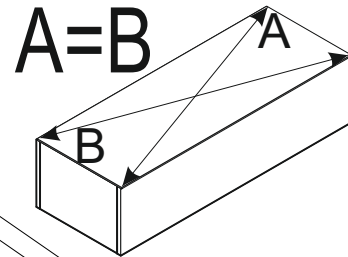
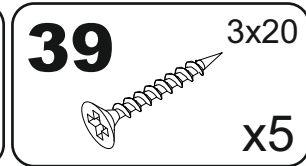
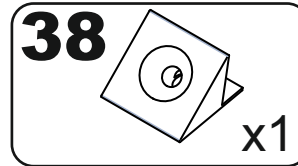
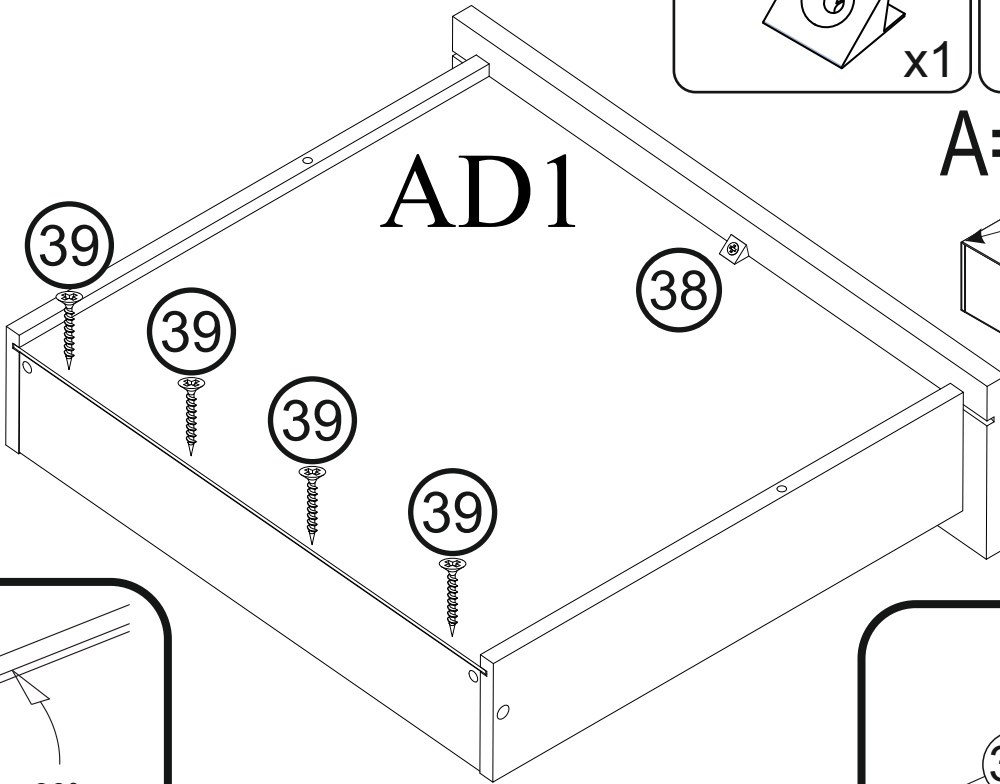
# 10



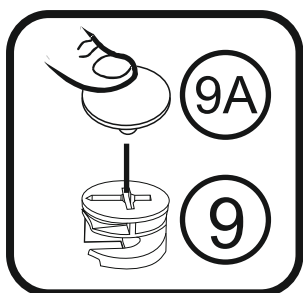
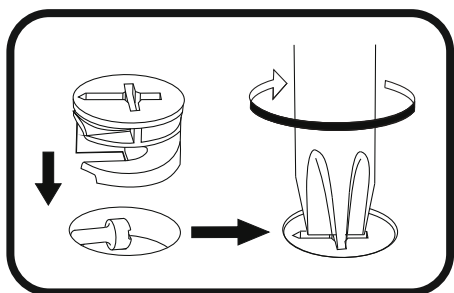
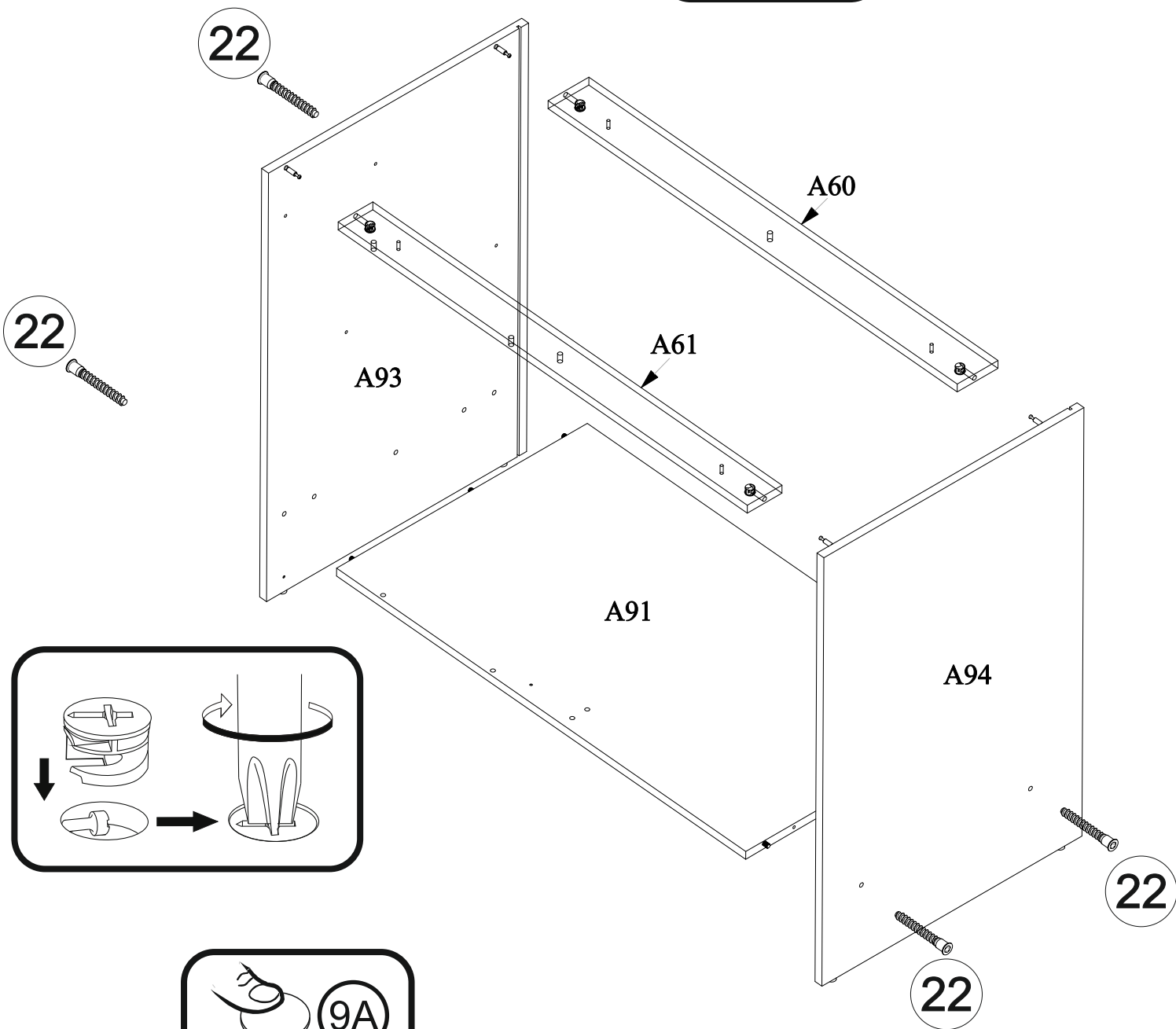
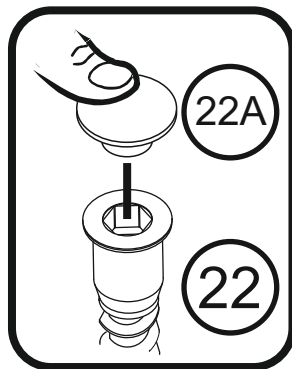
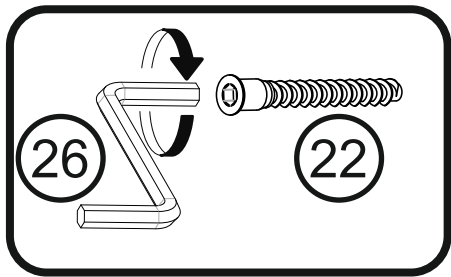
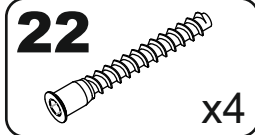
# 11



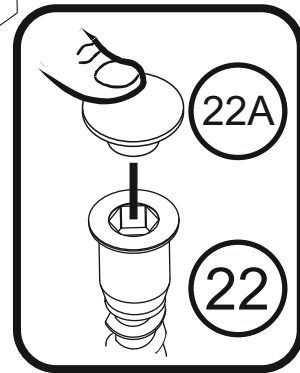
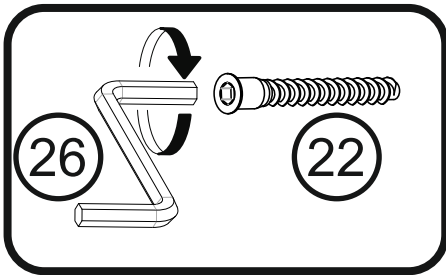
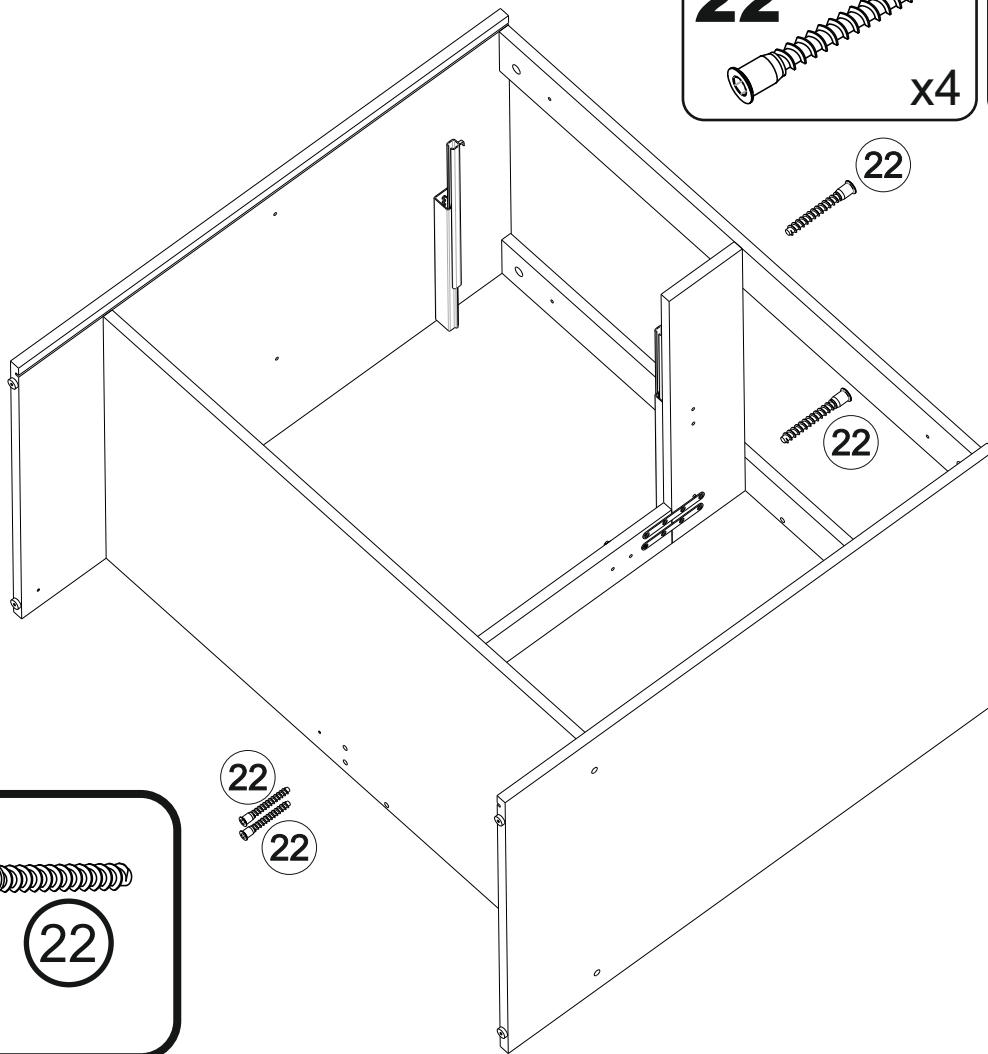
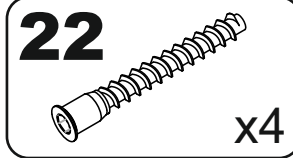
# 12



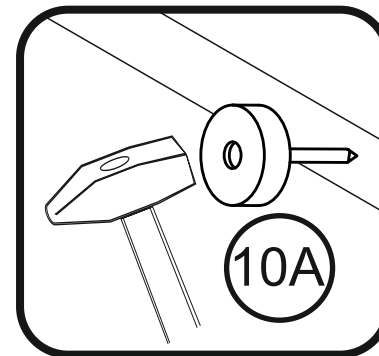
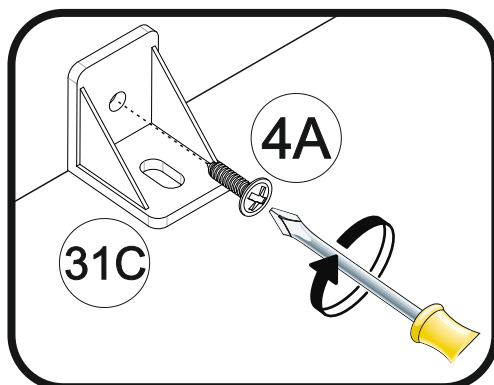
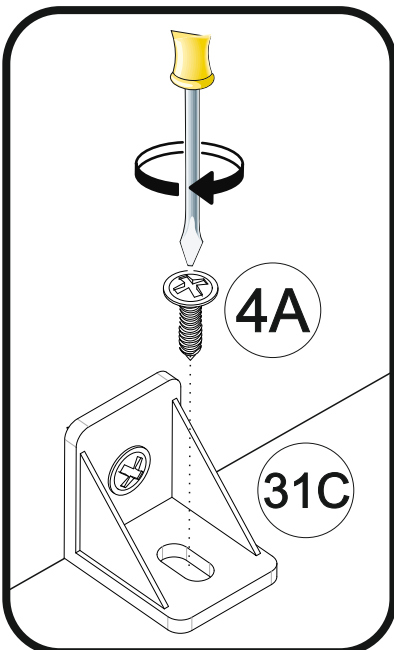
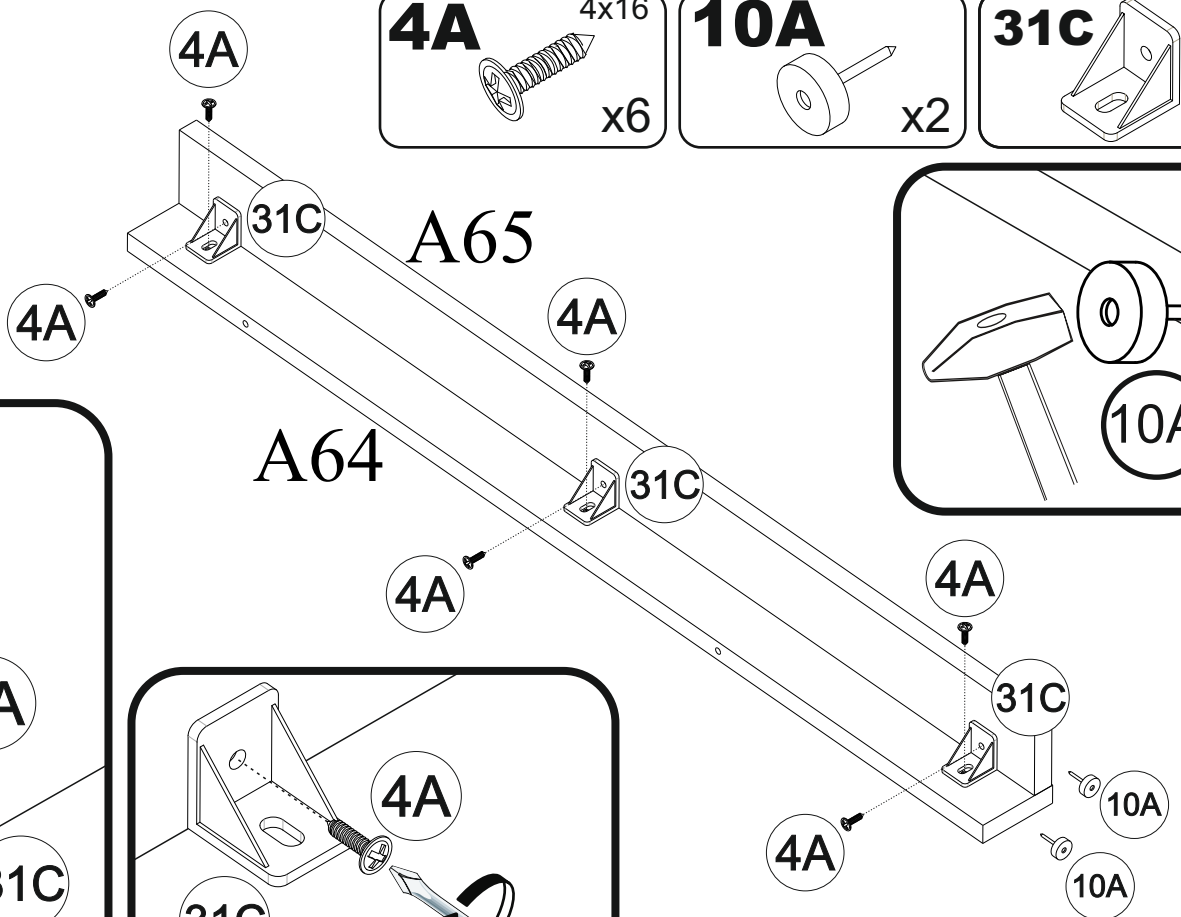
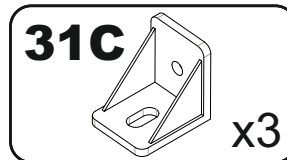
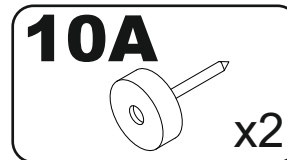
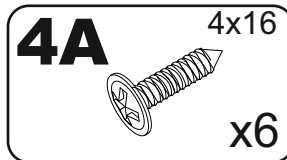
# 13



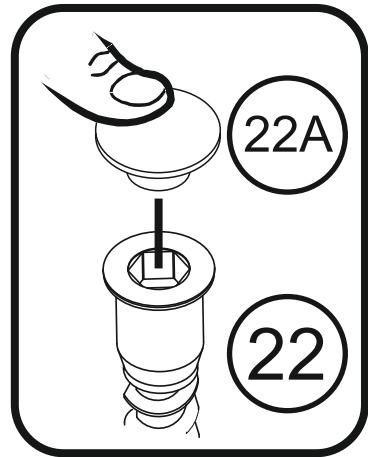
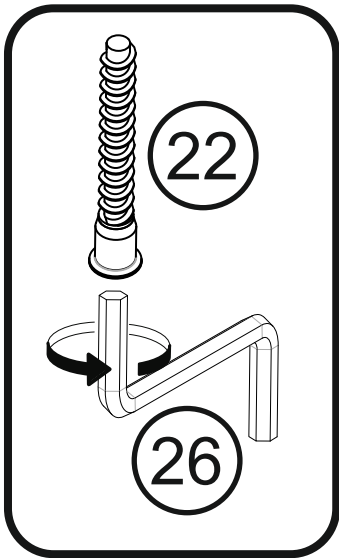
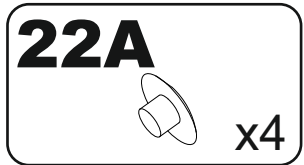
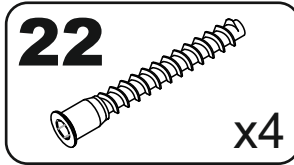
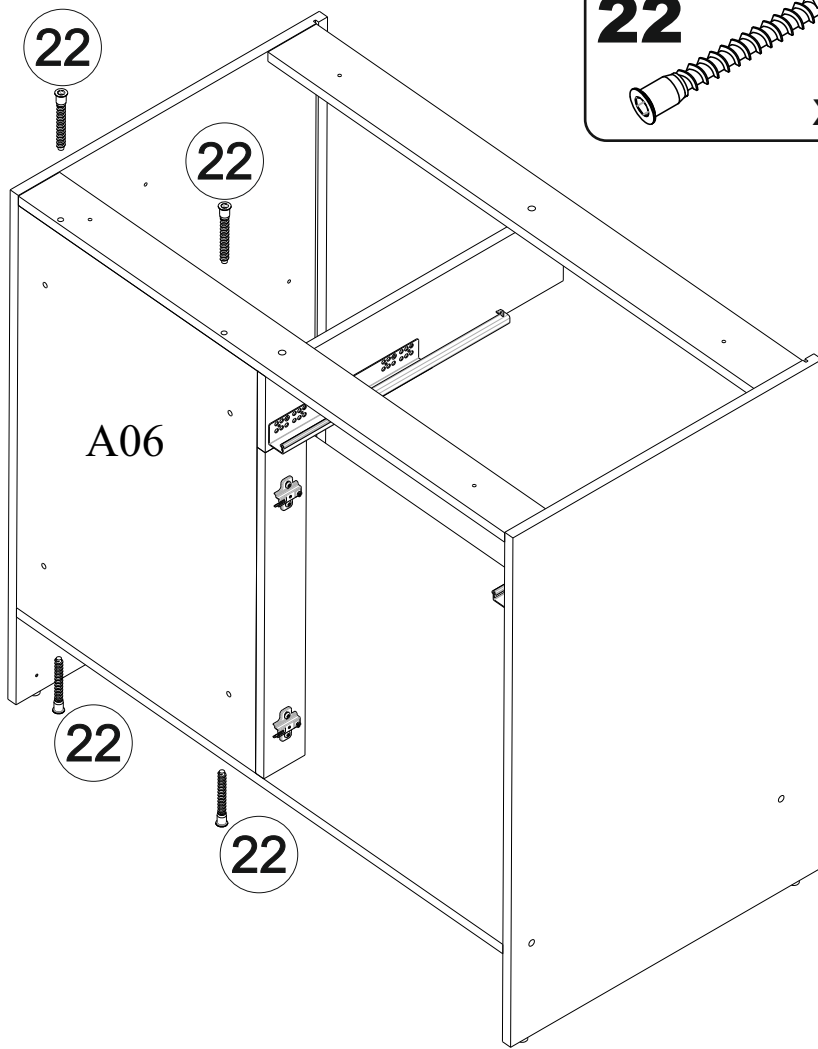
# 14



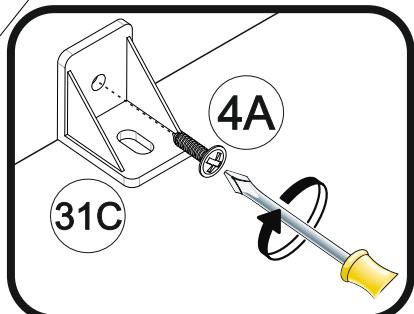
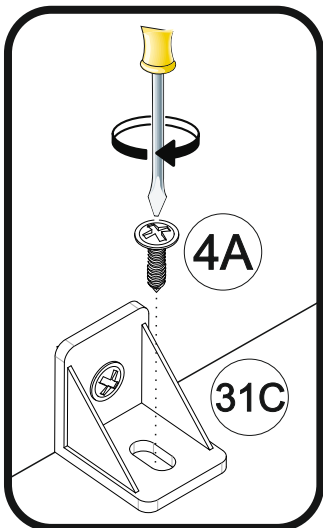
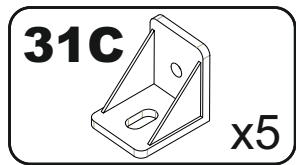
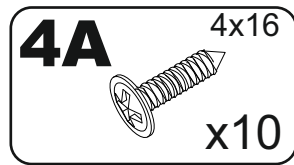
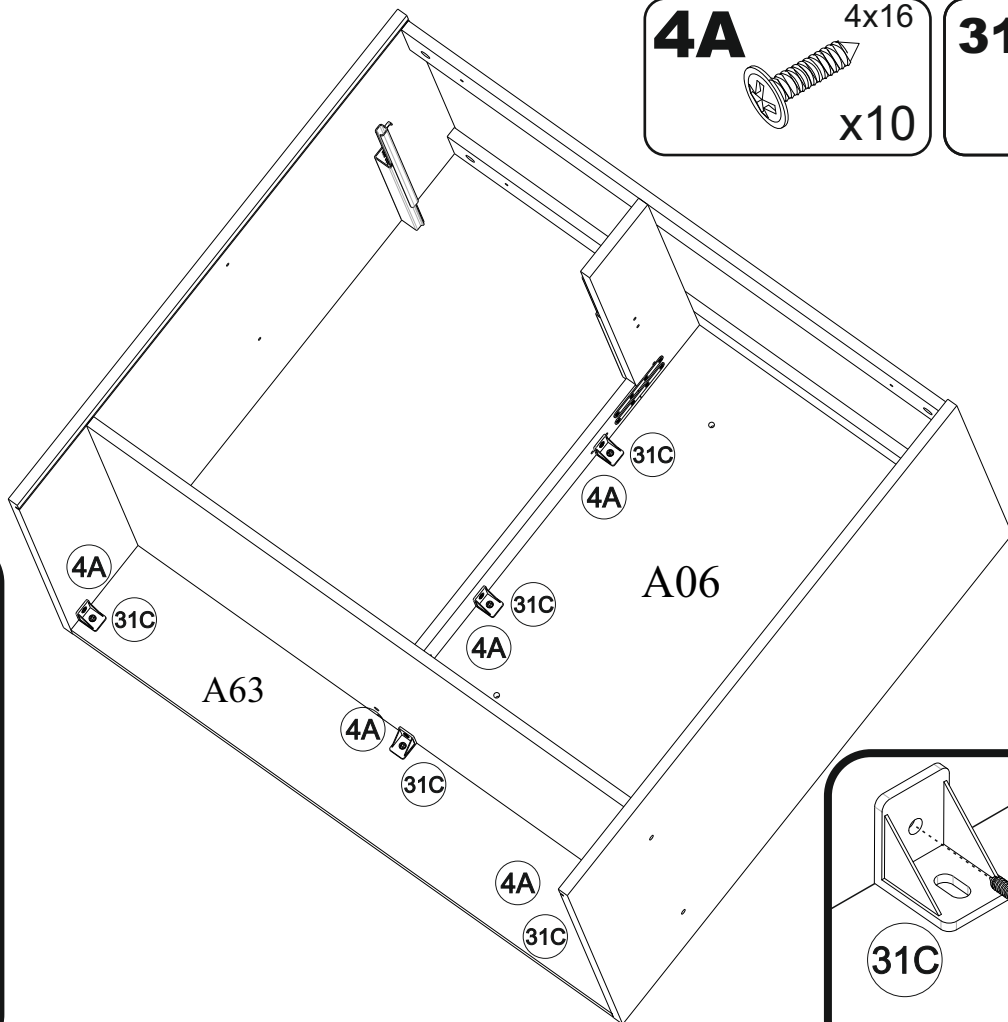
# 15



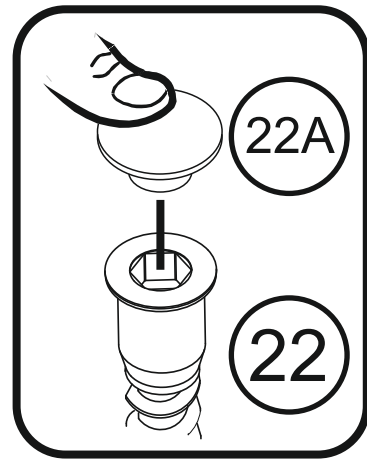
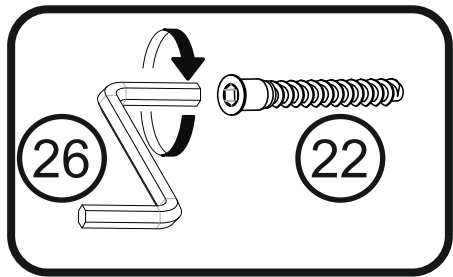
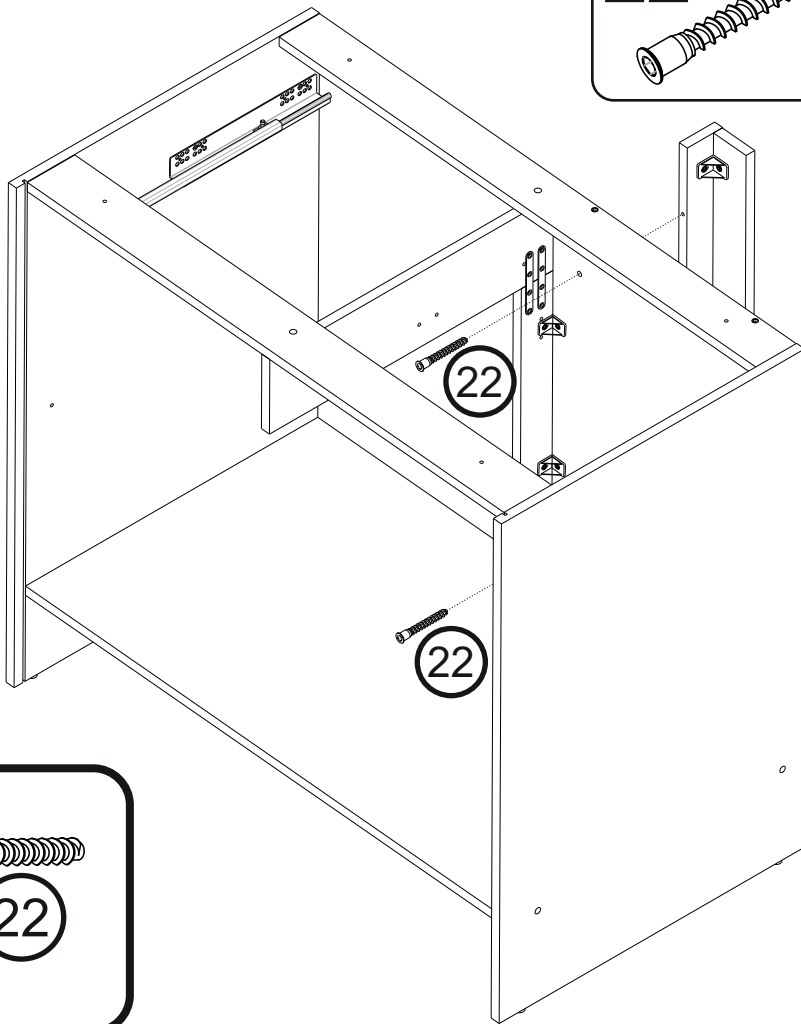
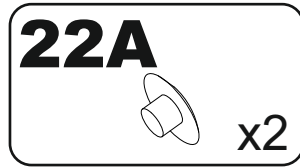
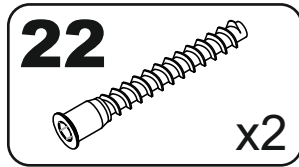
# 16



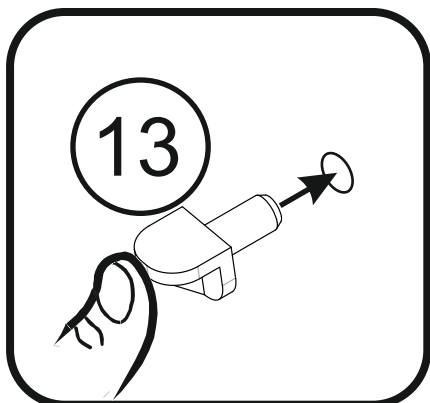
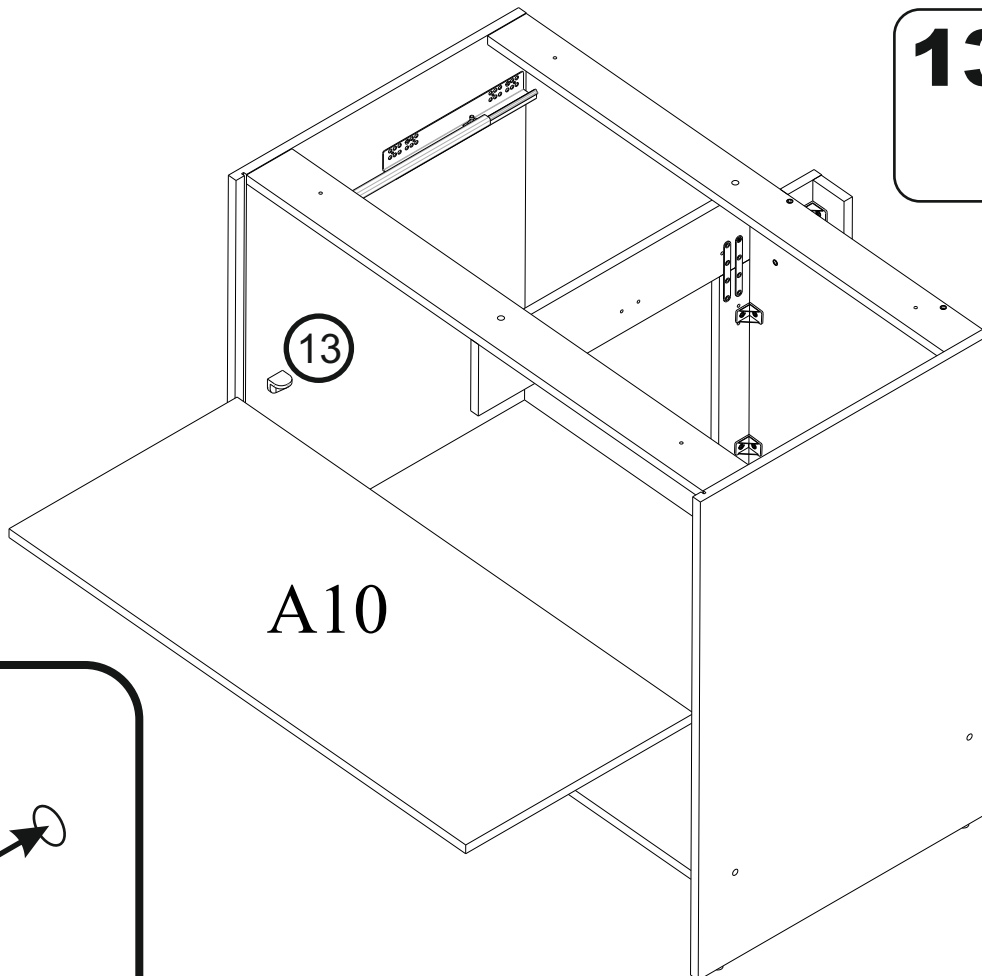
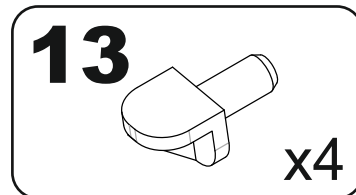
# 17



# 18

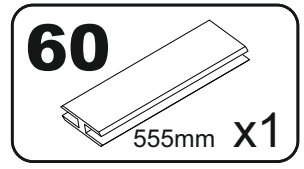
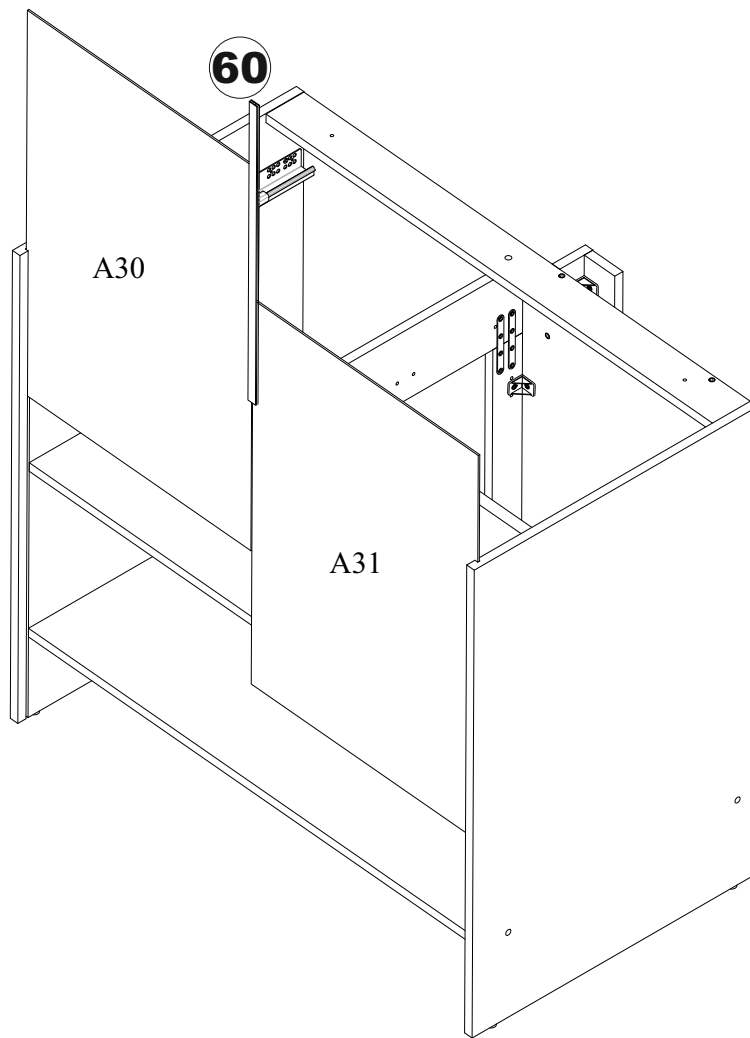


# 19

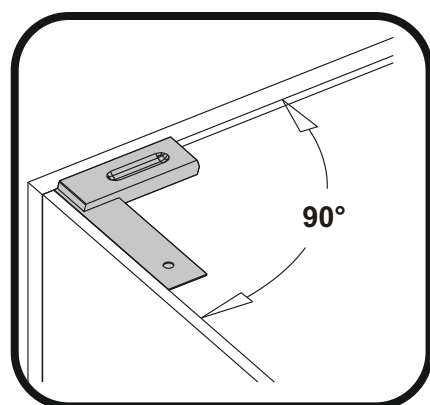
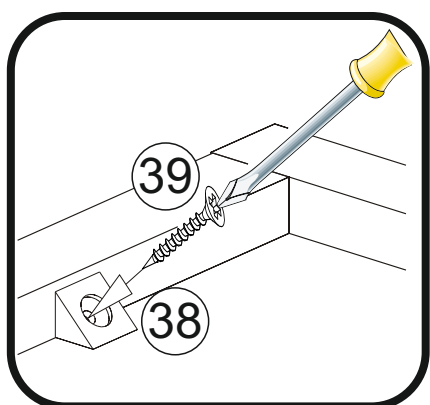
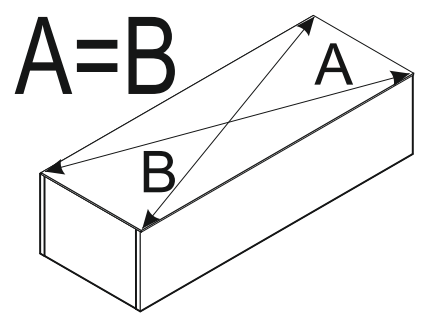
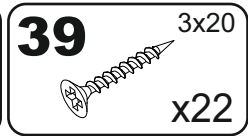
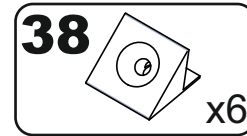
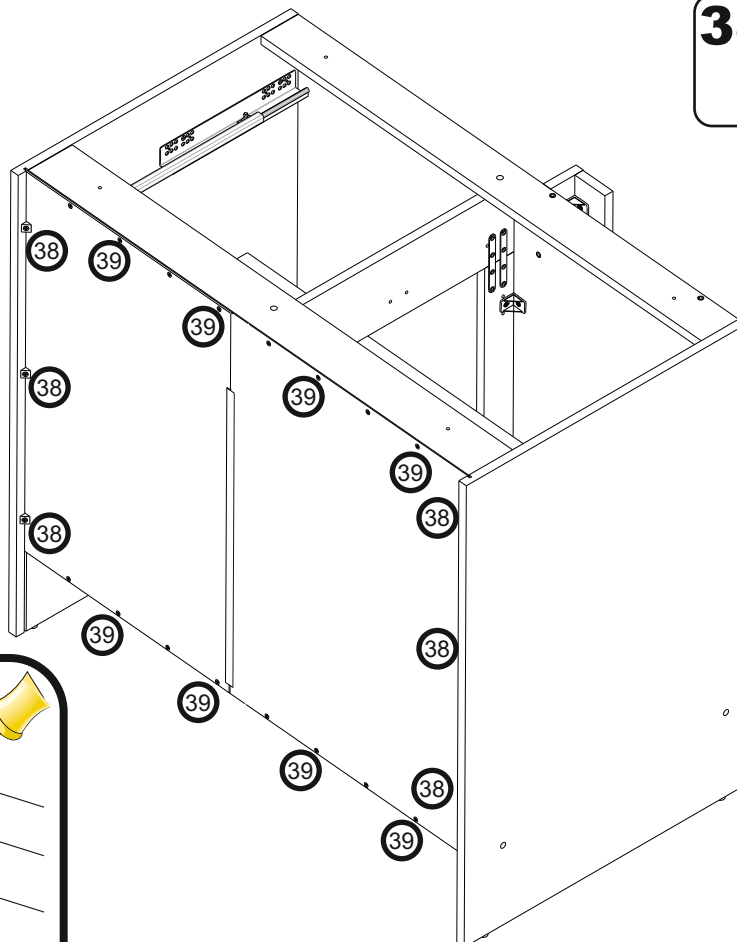




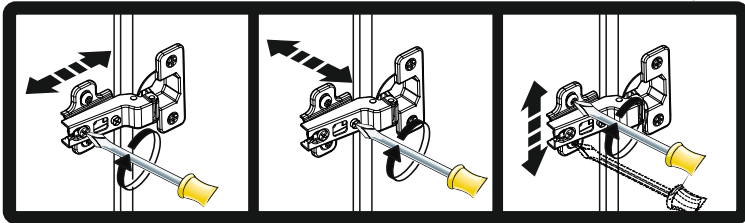
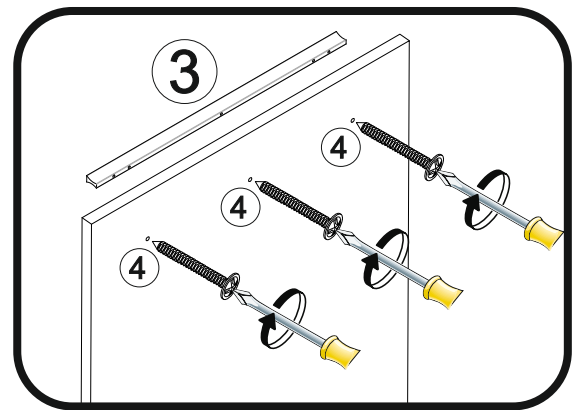
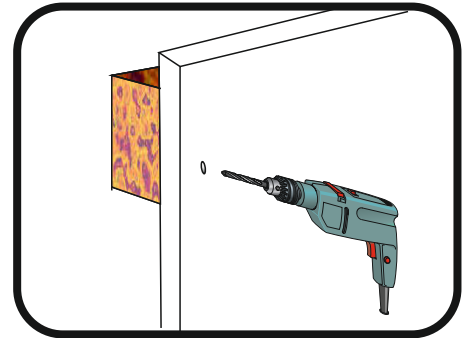
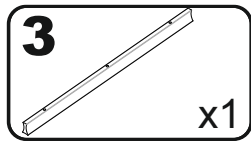
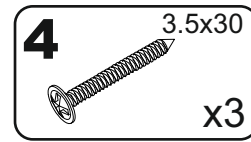
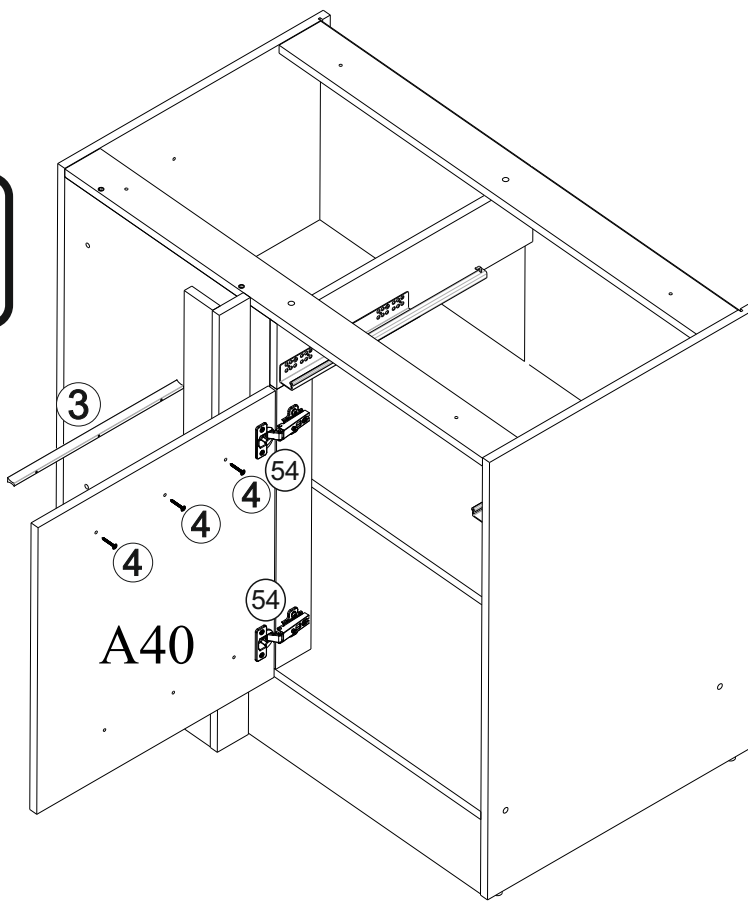
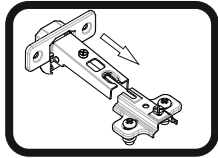
# 20



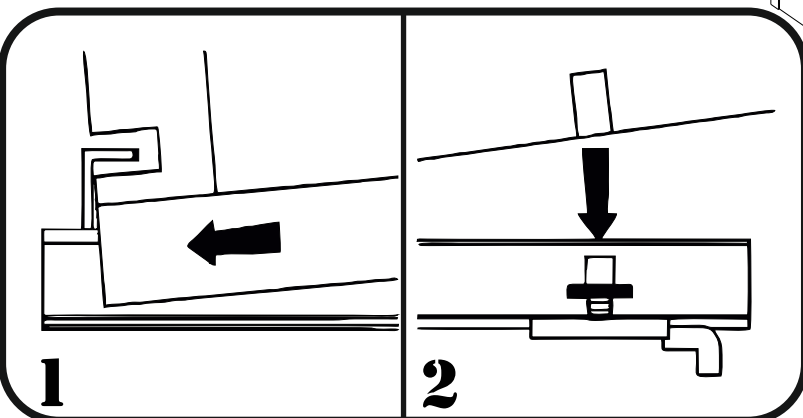
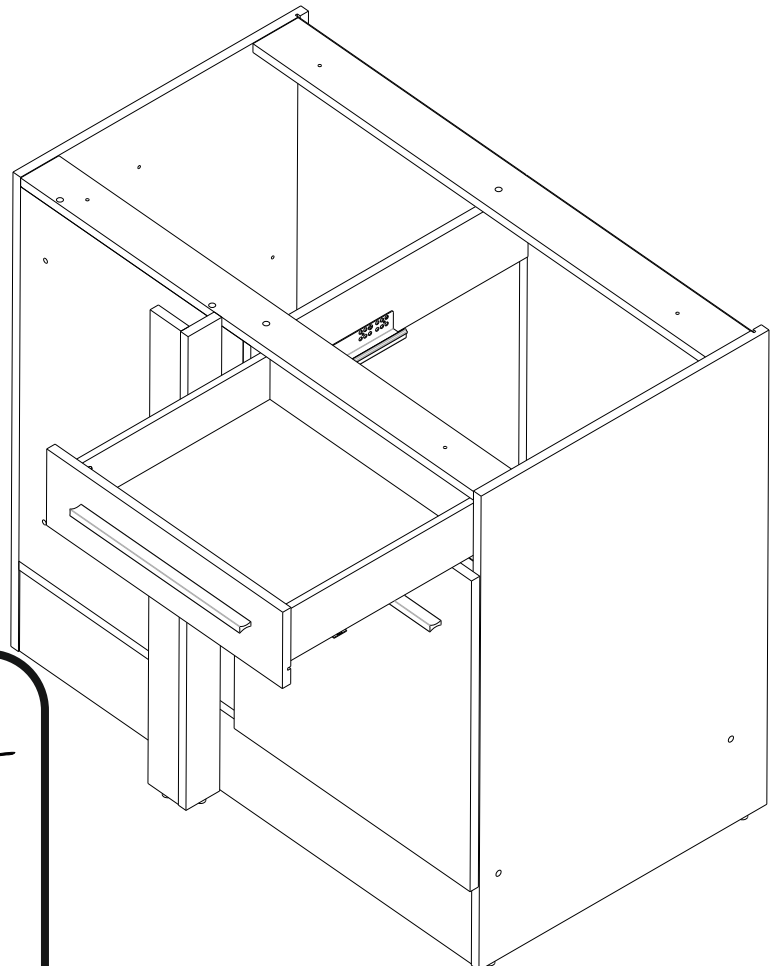
# 21



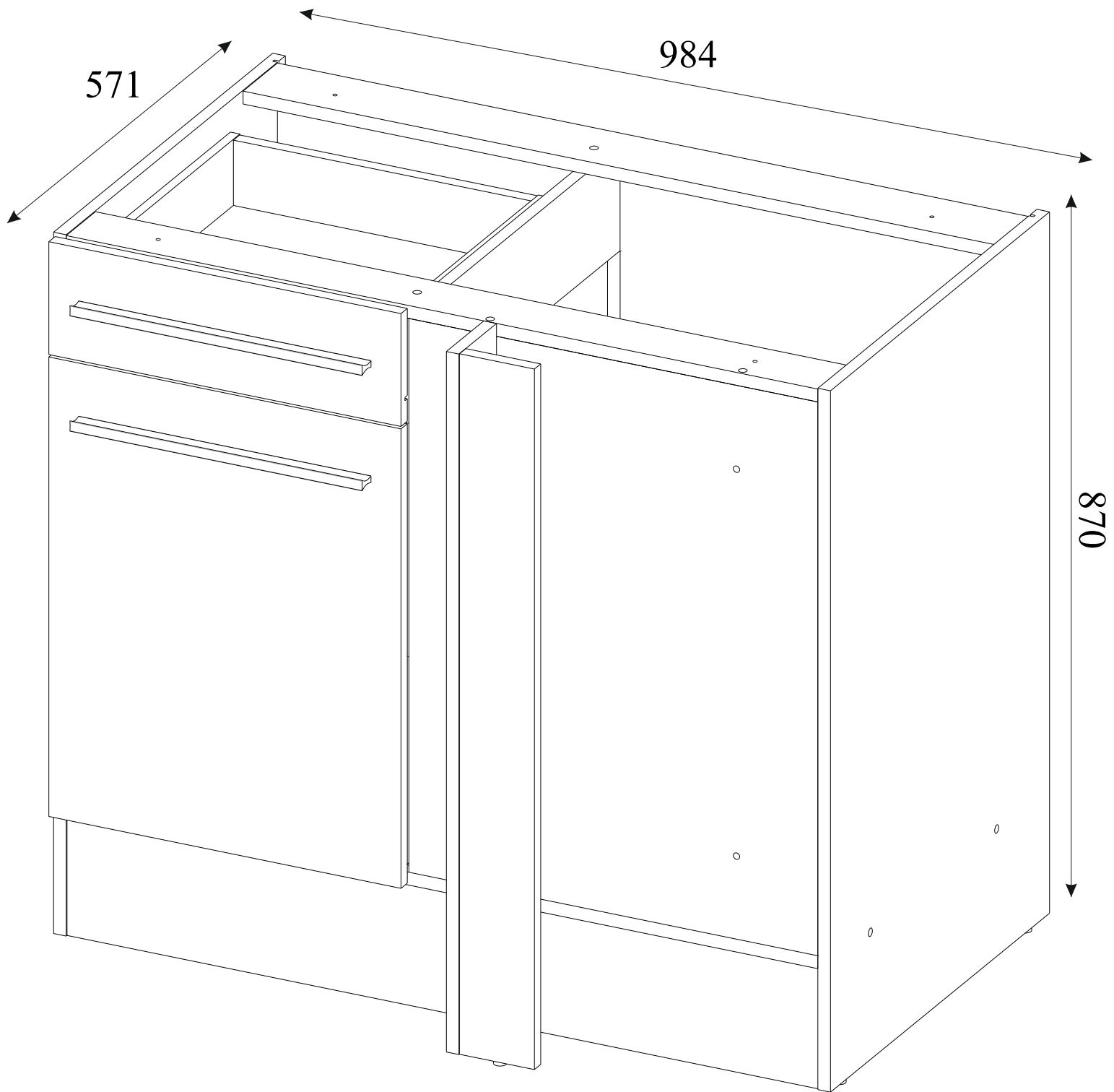
# 22

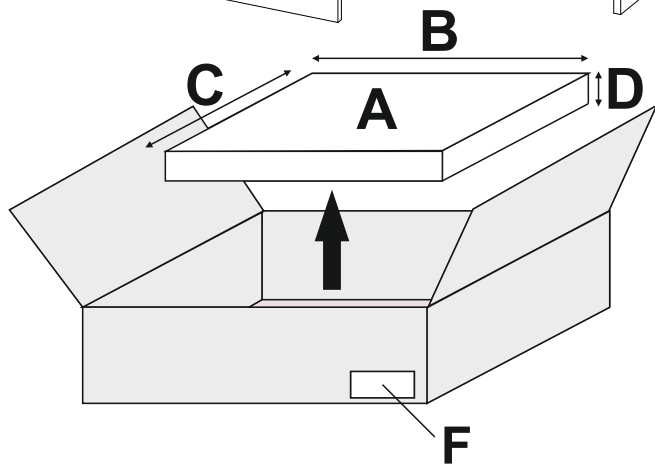
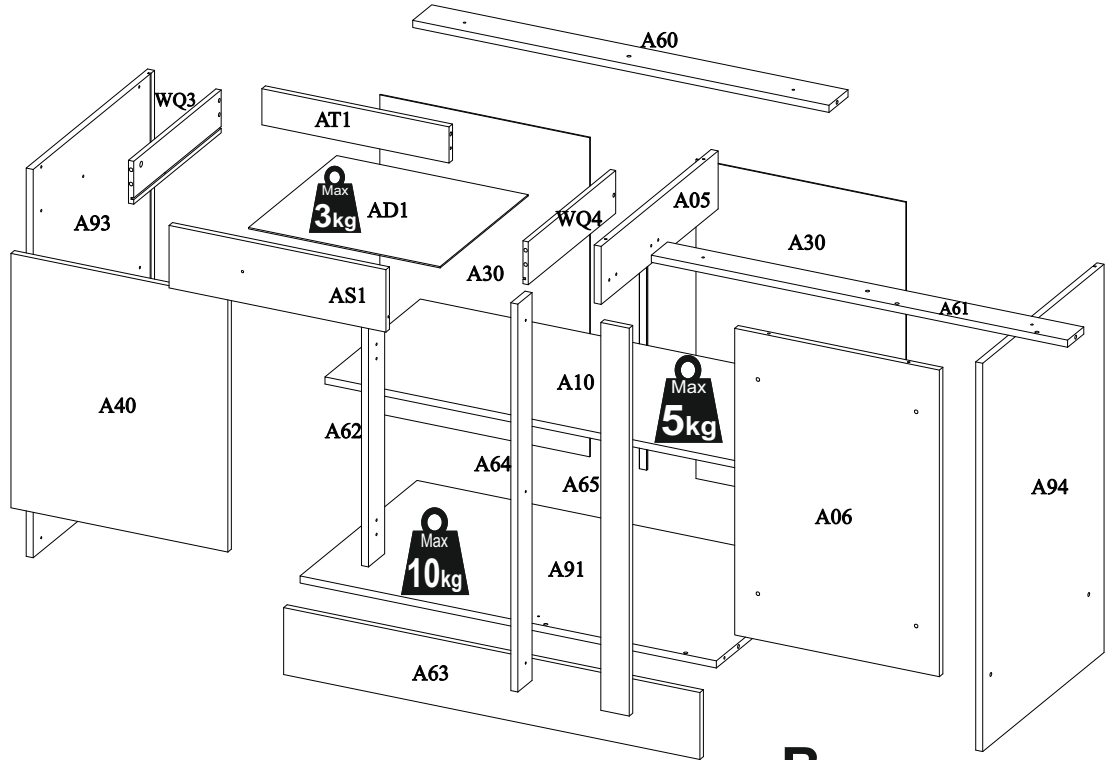
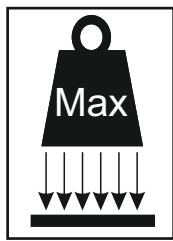


# 23



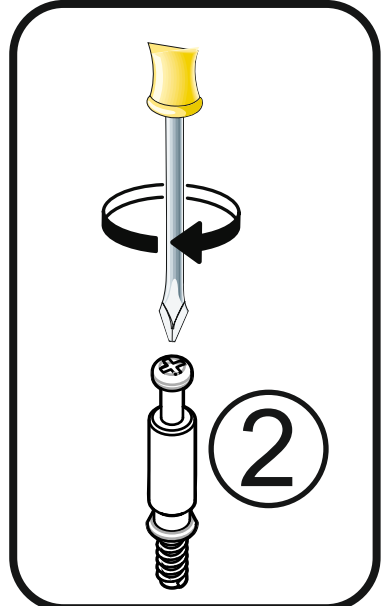
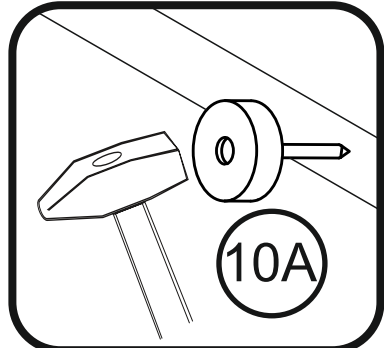
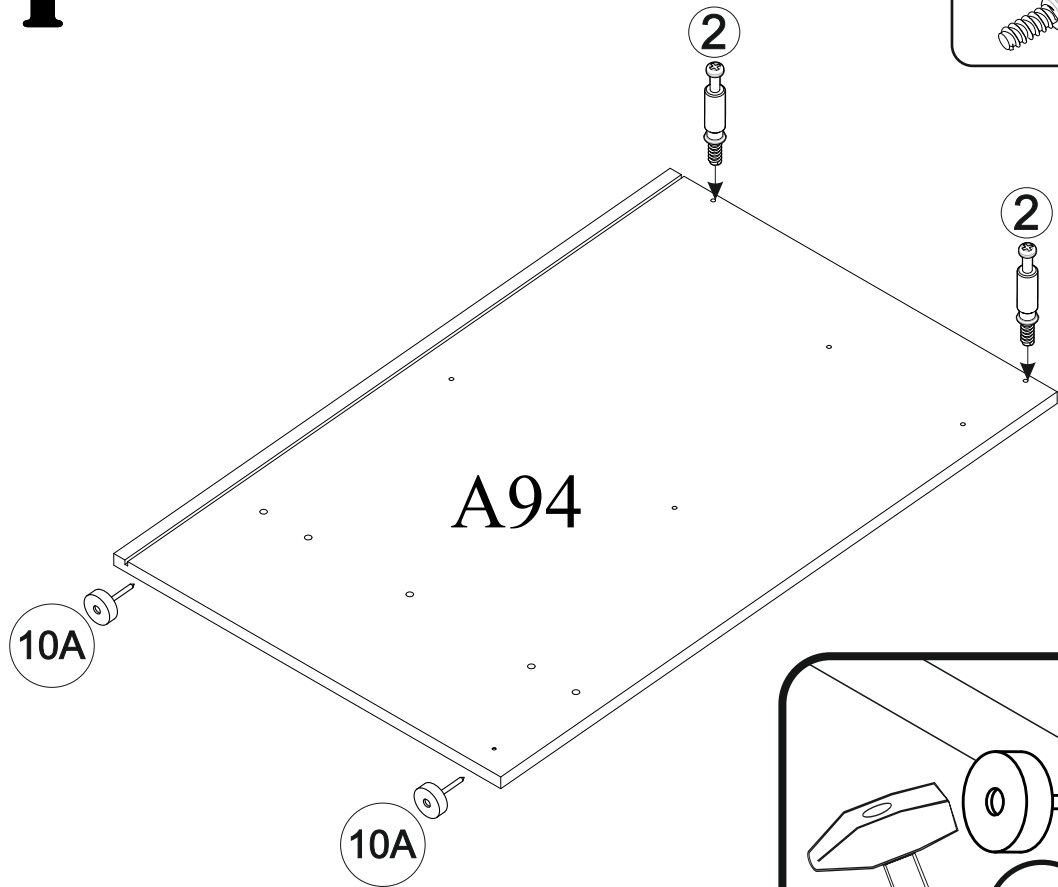
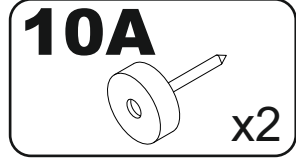
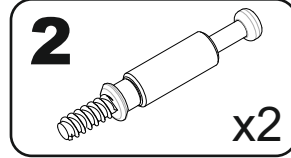
# B. VERSION-RECHTS/RIGHT



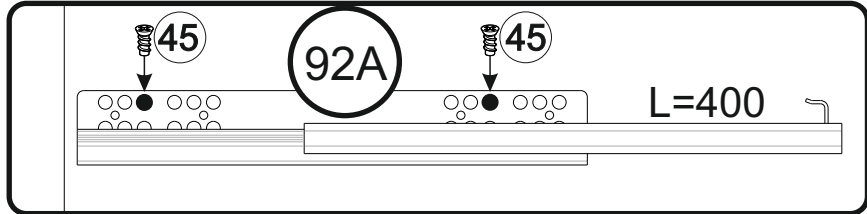
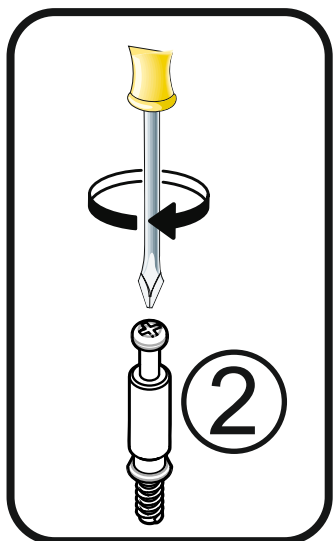
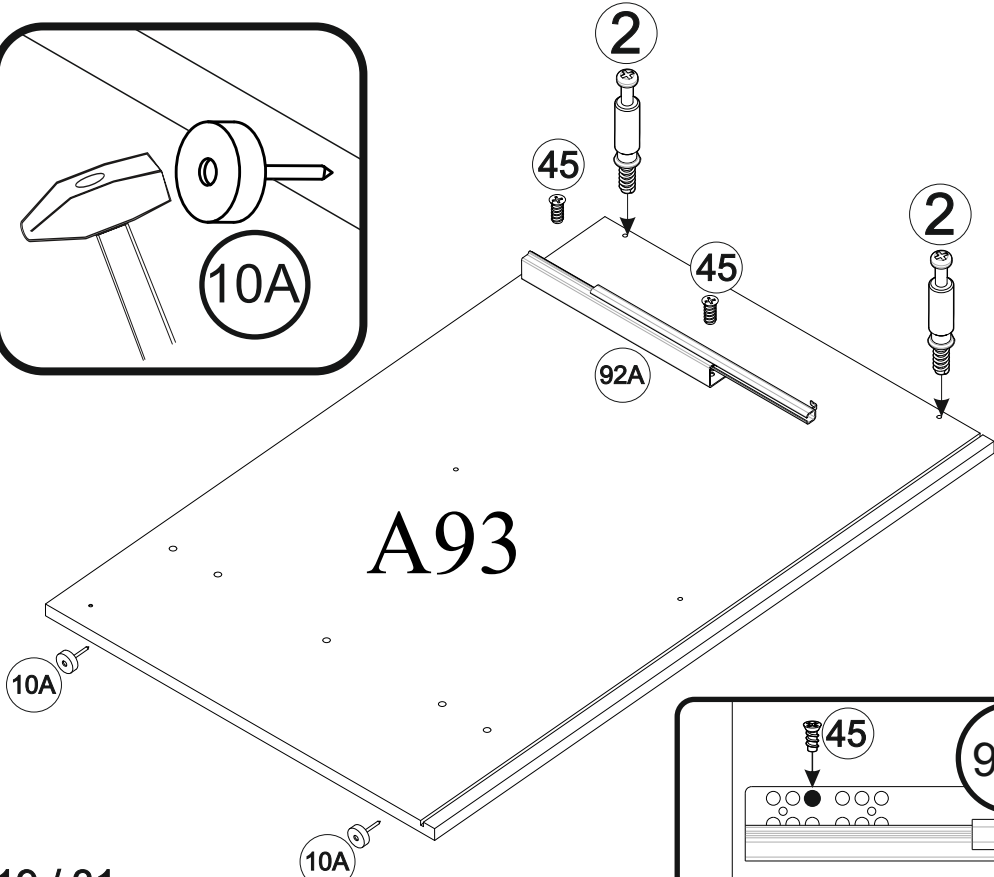
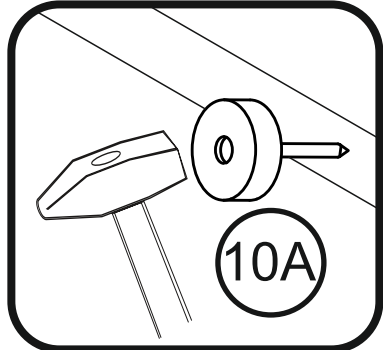
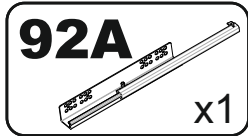
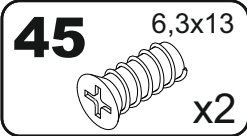
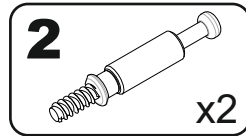


| A   | B (mm) | C (mm) | D (mm) | E | F   |
|-----|--------|--------|--------|---|-----|
| A91 | 952    | 535    | 16     | 1 | 2 2 |
| A93 | 870    | 555    | 16     | 1 | 2 2 |
| A94 | 870    | 555    | 16     | 1 | 2 2 |
| A05 | 535    | 130    | 16     | 1 | 2 2 |
| A06 | 687    | 518    | 16     | 1 | 2 2 |
| A10 | 952    | 436    | 16     | 1 | 2 2 |
| A30 | 715    | 430    | 3      | 2 | 2 2 |
| A31 | 715    | 530    | 3      | 2 | 2 2 |
| A40 | 570    | 446    | 16     | 1 | 2 2 |
| A60 | 952    | 87     | 16     | 1 | 2 2 |
| A61 | 952    | 74     | 16     | 1 | 2 2 |
| A62 | 557    | 74     | 16     | 1 | 2 2 |
| A63 | 952    | 150    | 16     | 1 | 2 2 |
| A64 | 869    | 95     | 16     | 1 | 2 2 |
| A65 | 869    | 95     | 16     | 1 | 2 2 |
| AD1 | 388    | 403    | 3      | 1 | 2 2 |
| AS1 | 446    | 140    | 16     | 1 | 2 2 |
| AT1 | 378    | 81     | 16     | 1 | 2 2 |
| WQ3 | 400    | 96     | 12     | 1 | 2 2 |
| WQ4 | 400    | 96     | 12     | 1 | 2 2 |
| Z01 | 1150   | 600    | 28     | 1 | 1 2 |

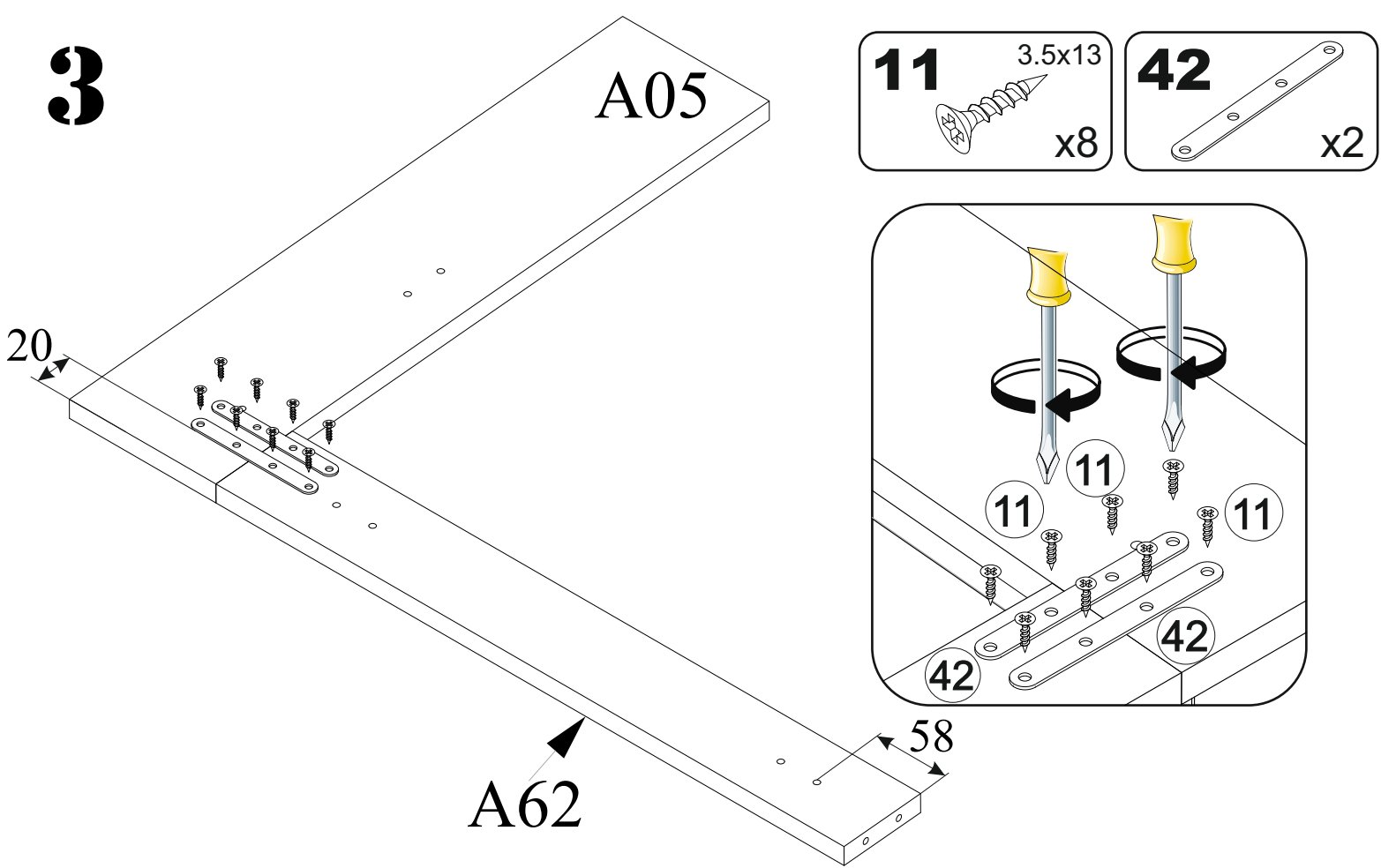
# 1



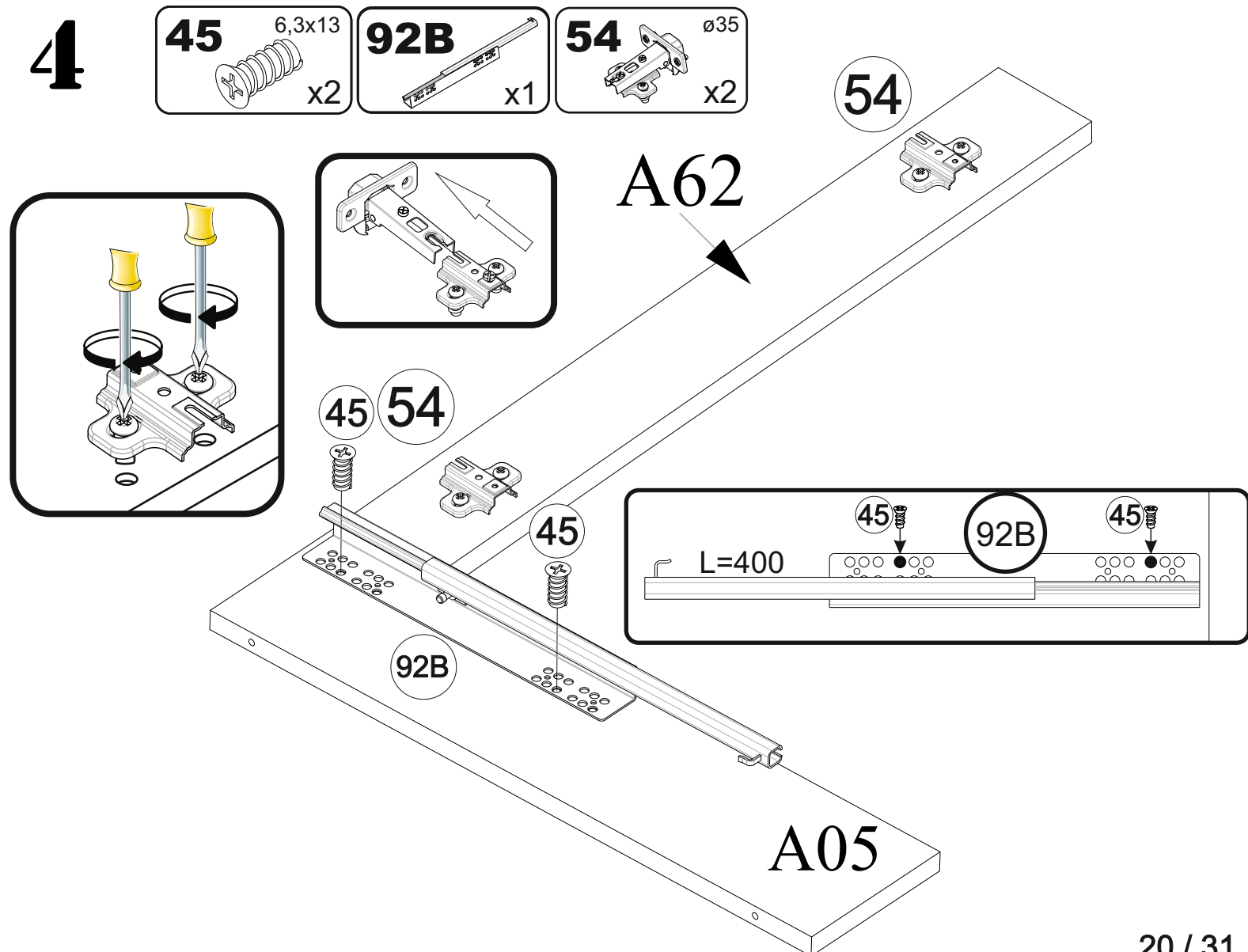
# 2



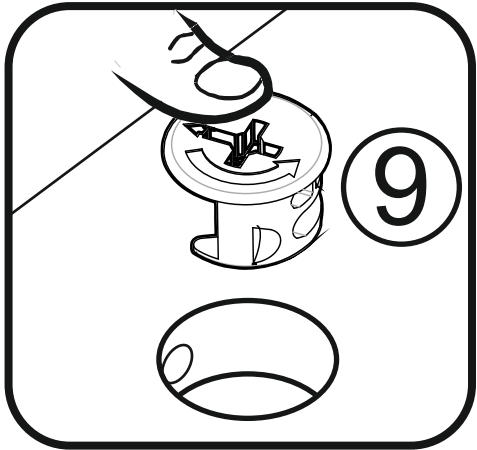
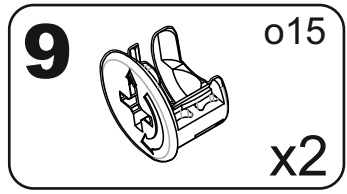
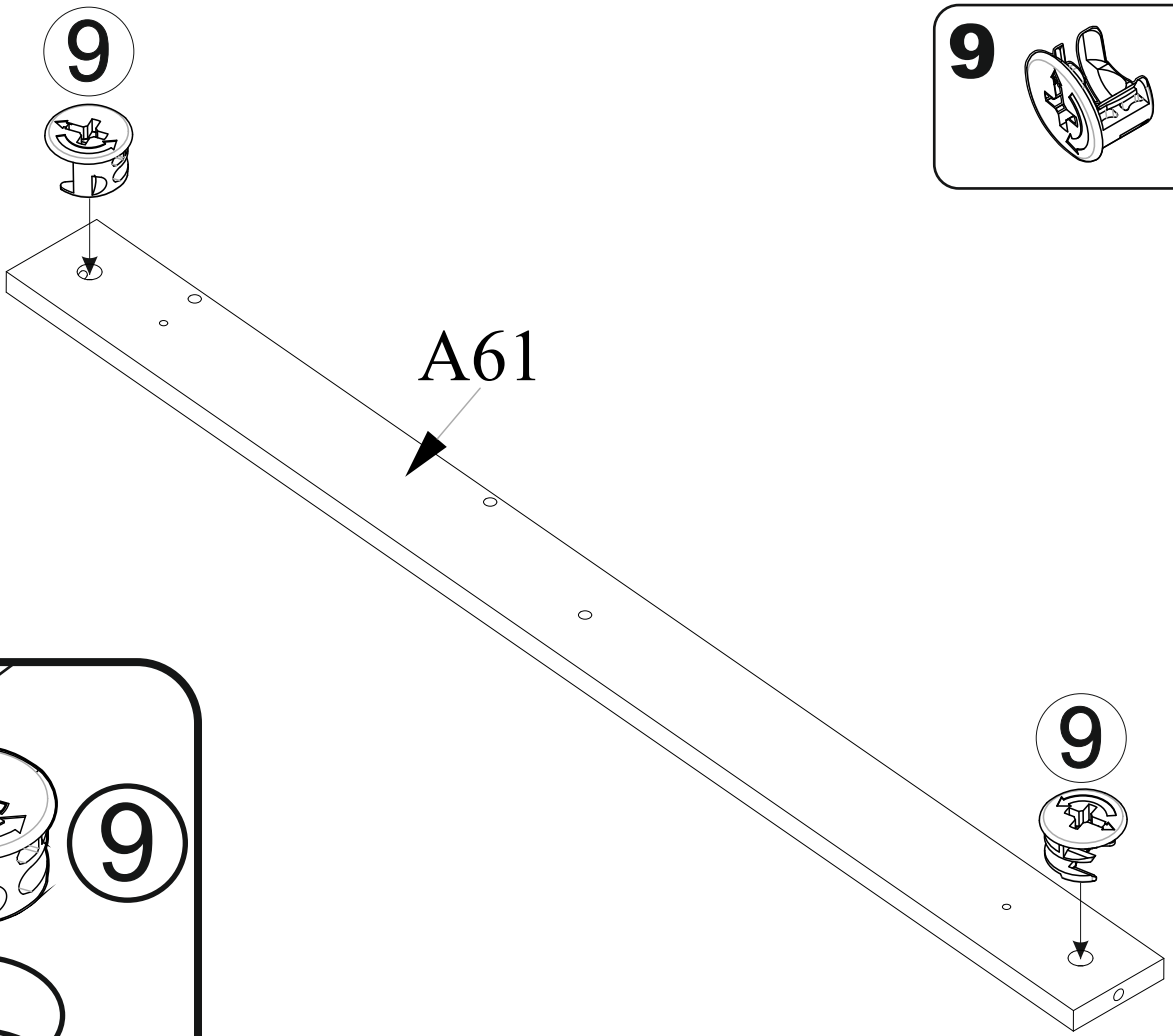
# 3



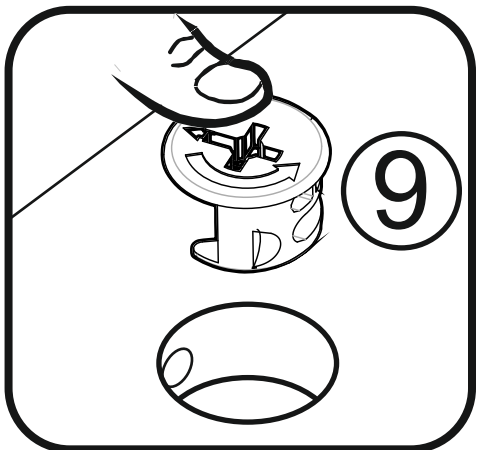
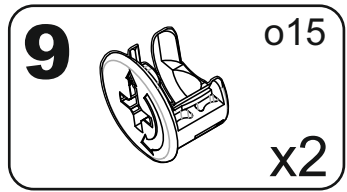
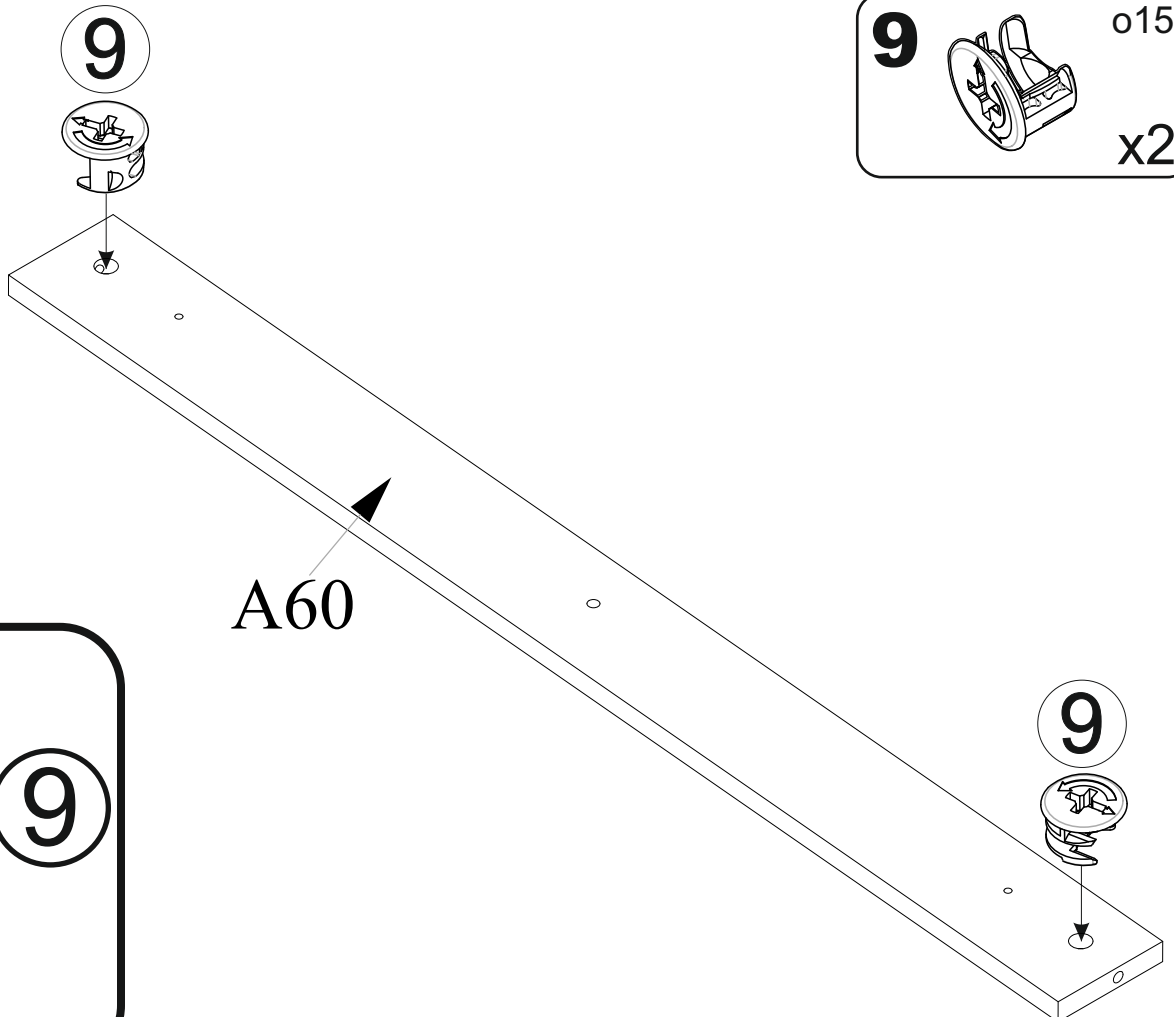
# 4



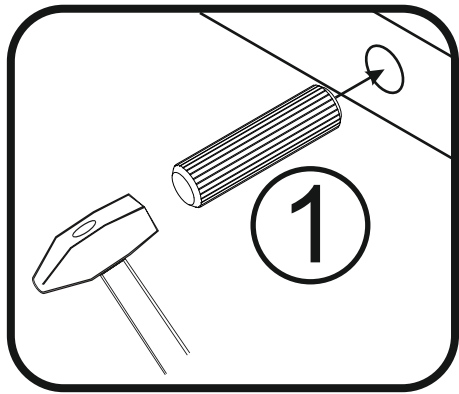
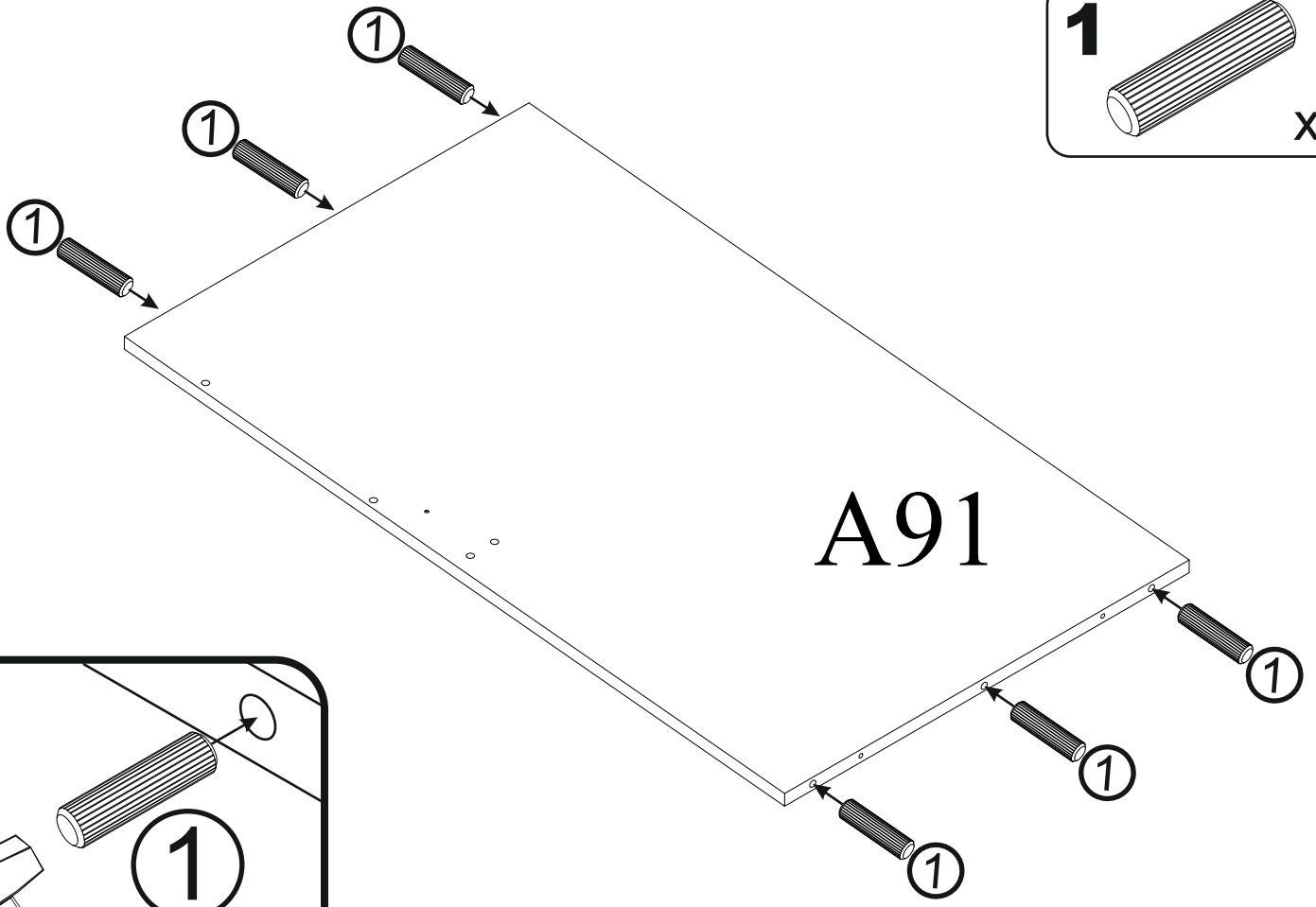
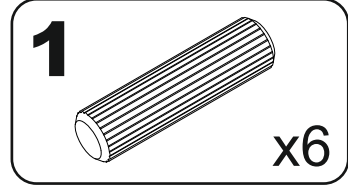
**5**



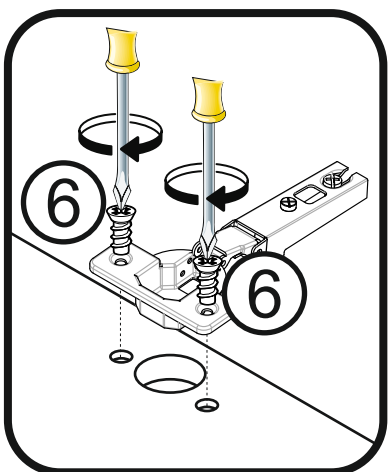
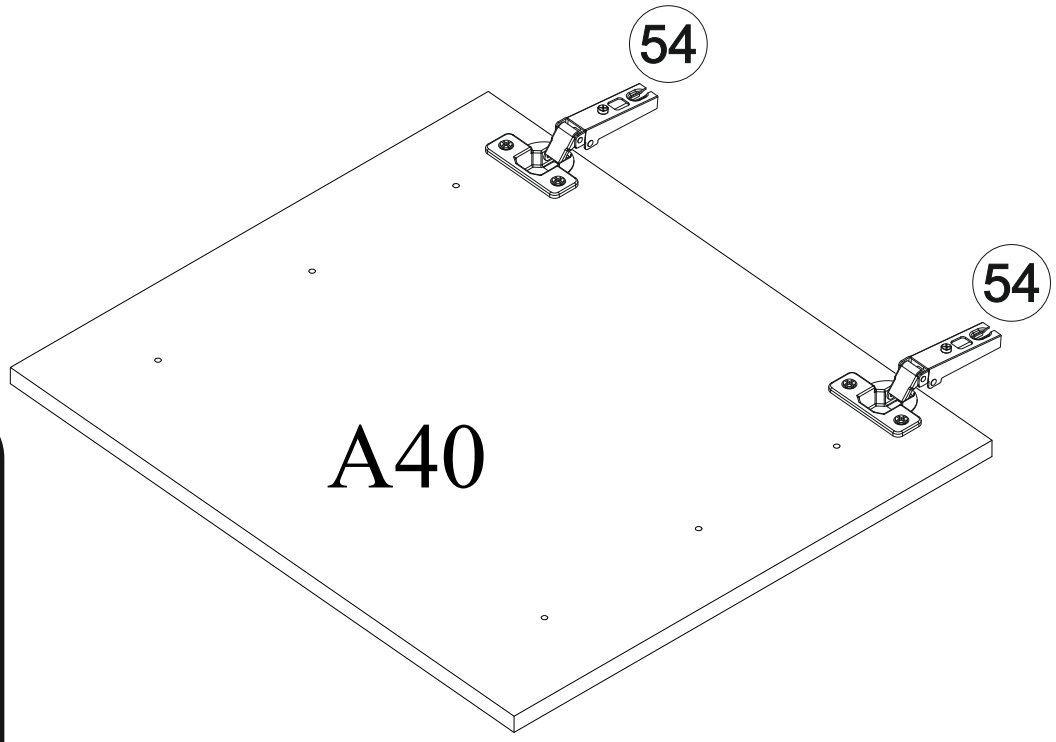
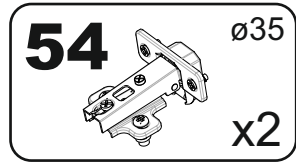
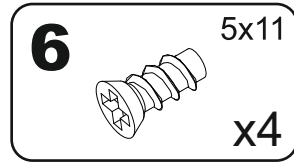
**6**



7

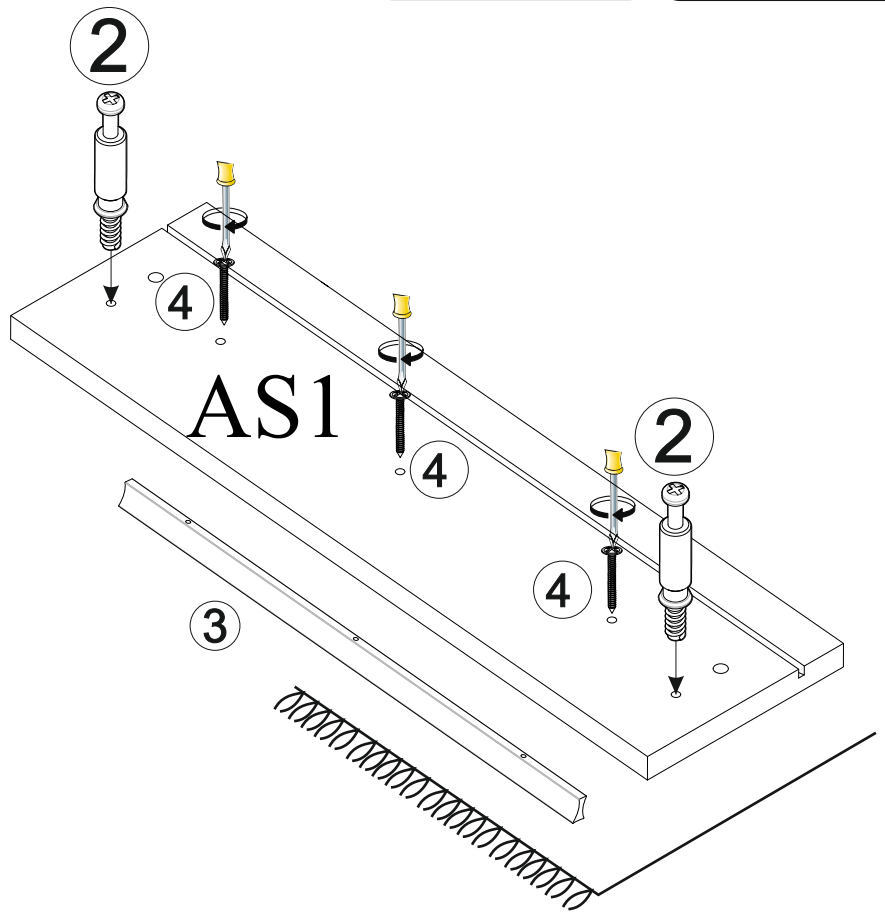
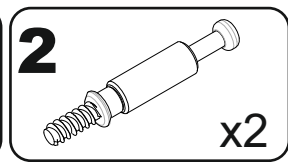
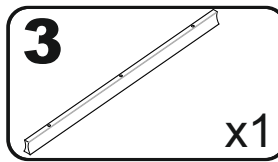
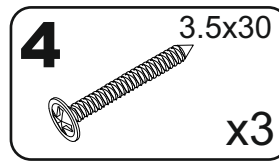
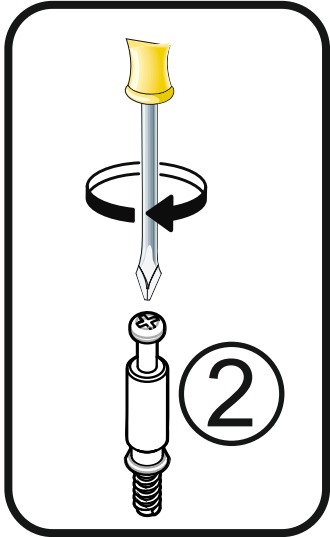
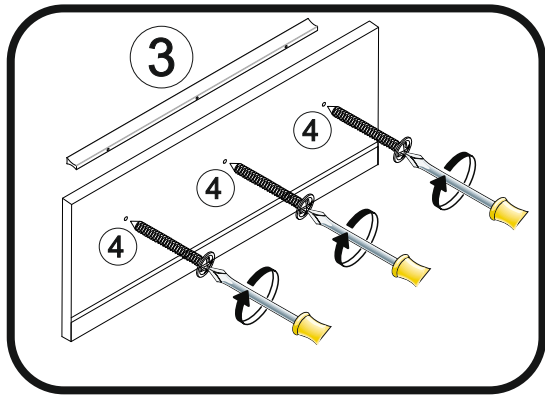


8

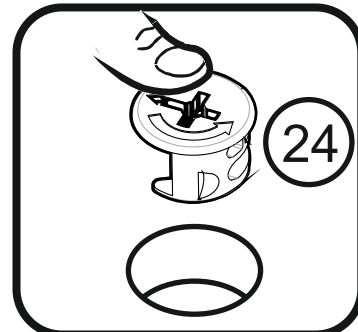
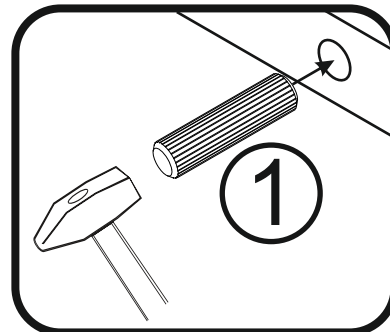
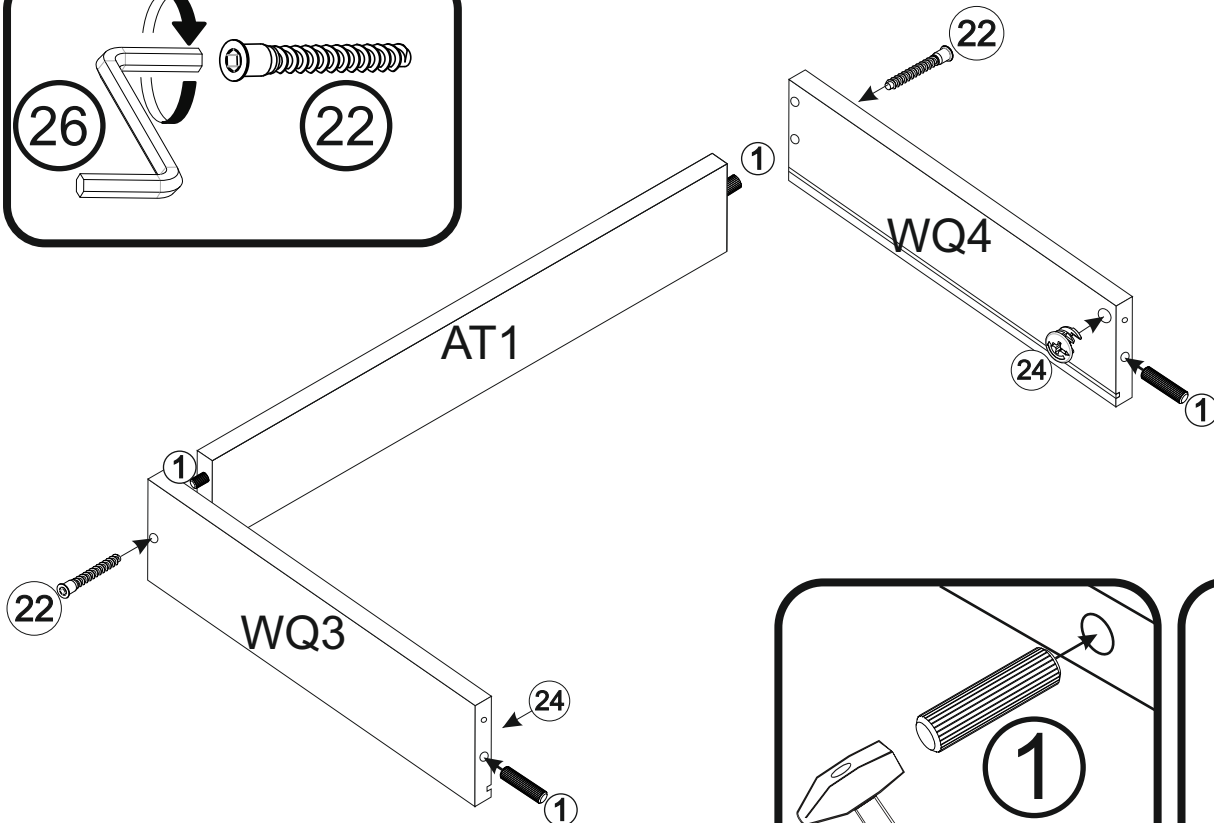
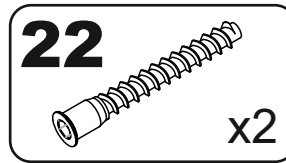
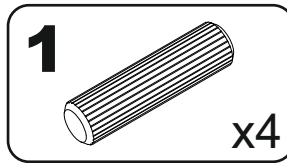
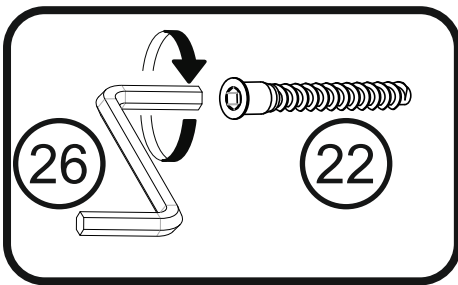




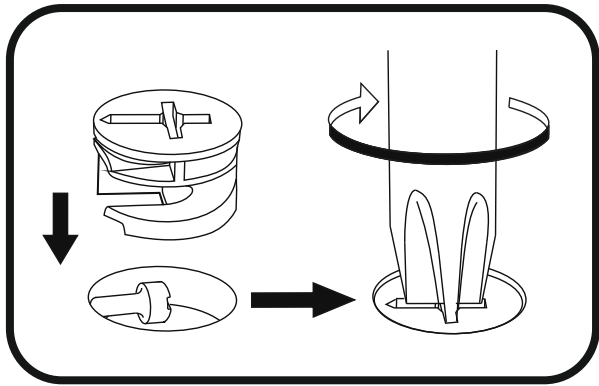
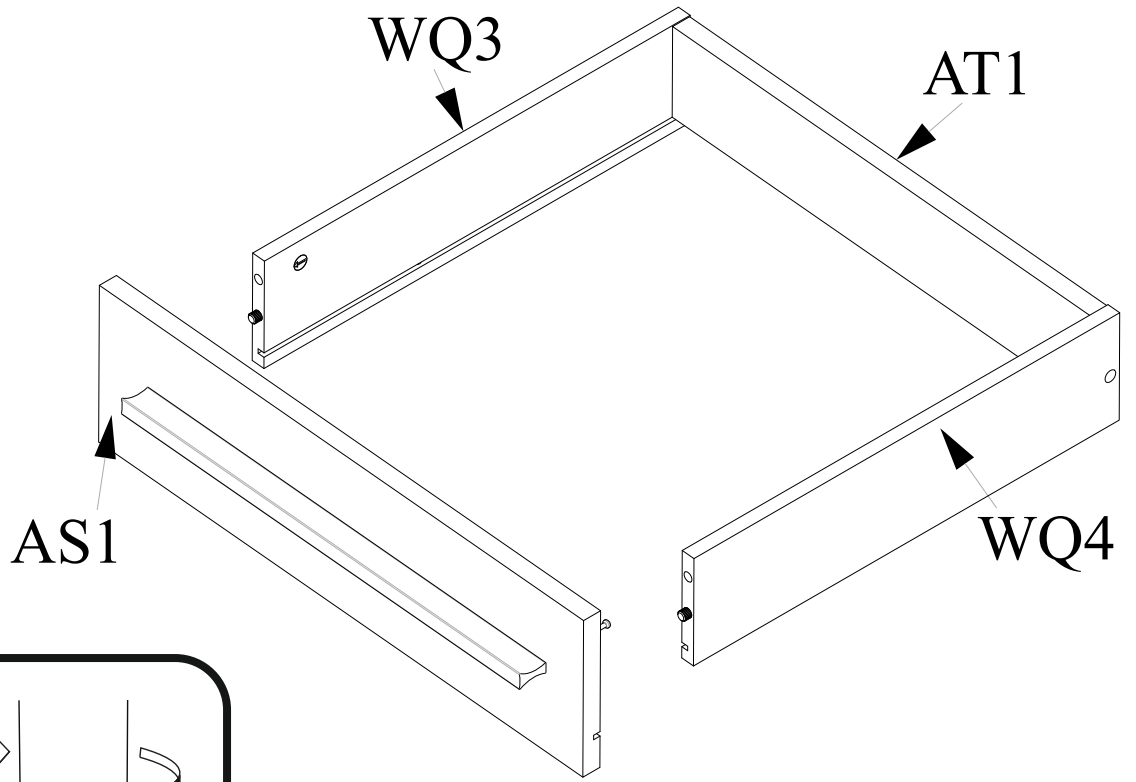
# 9



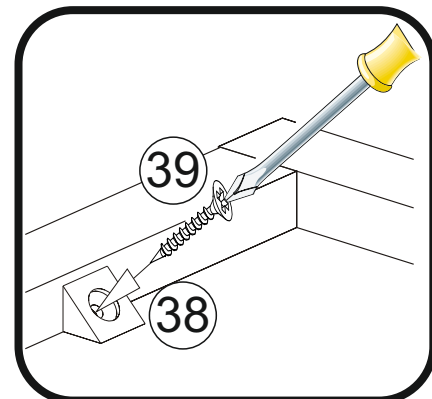
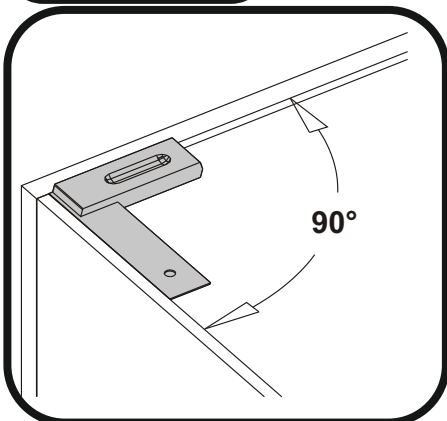
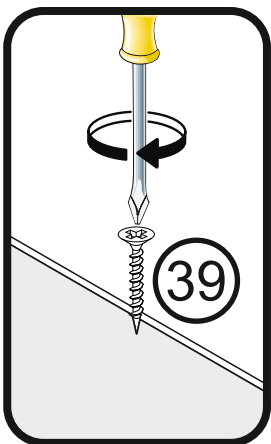
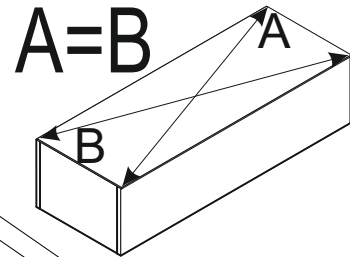
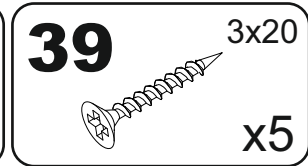
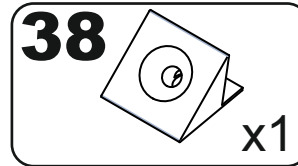
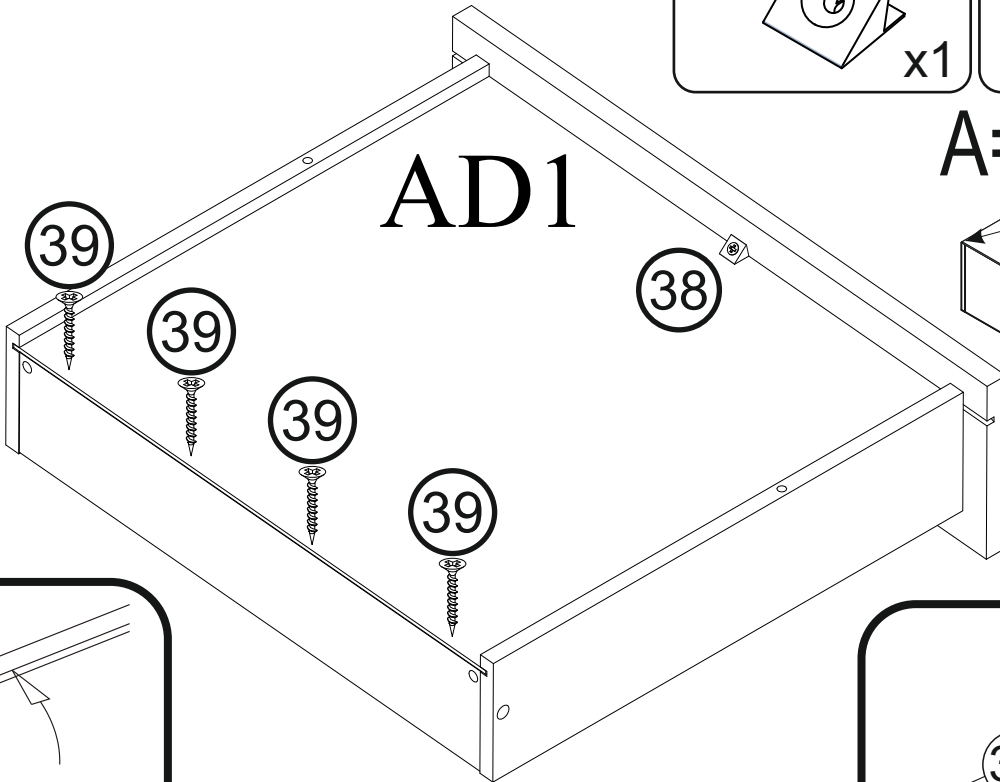
# 10



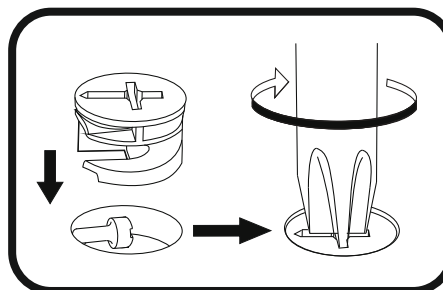
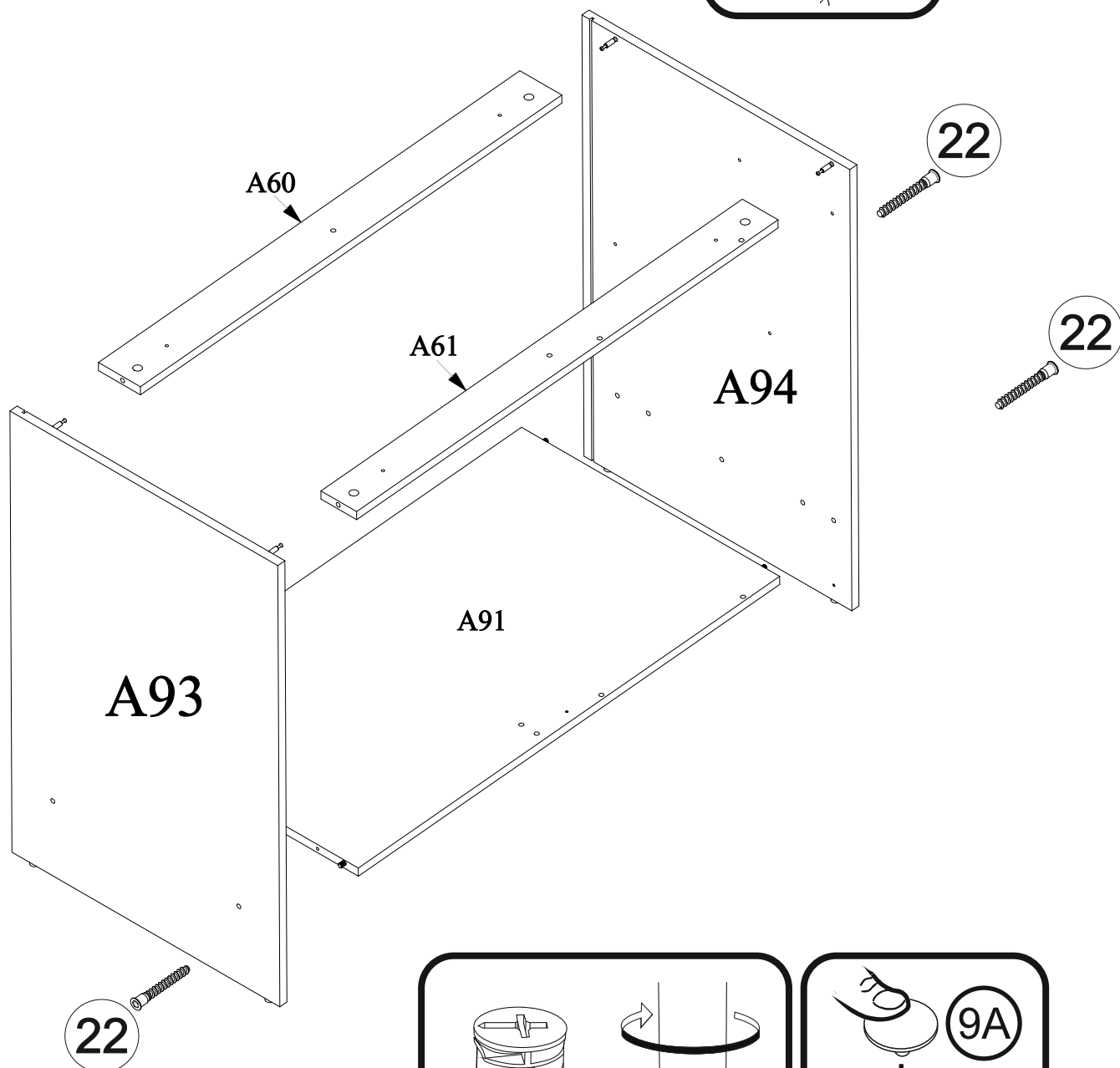
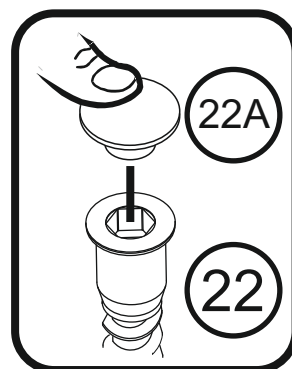
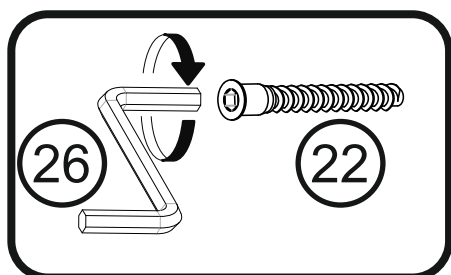
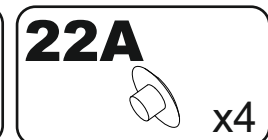
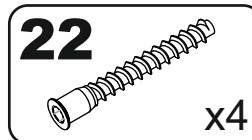
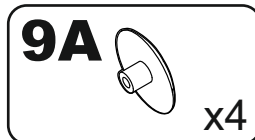
# 11



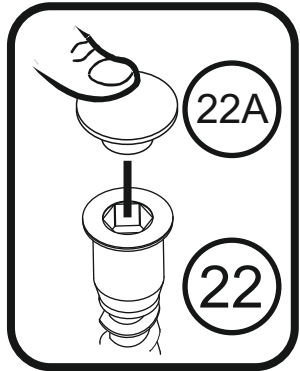
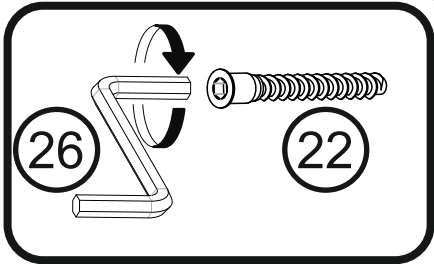
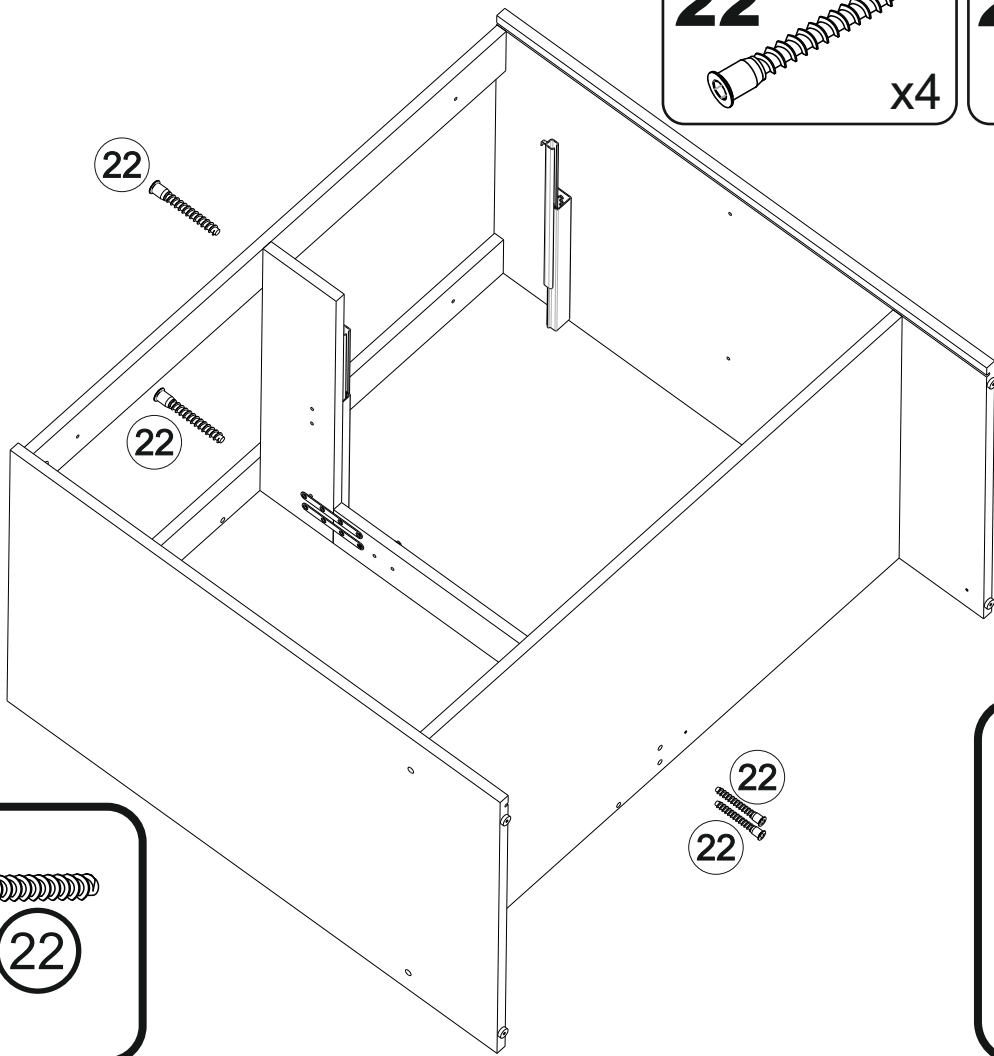
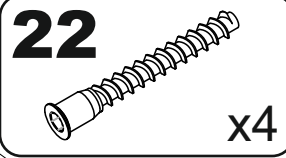
# 12



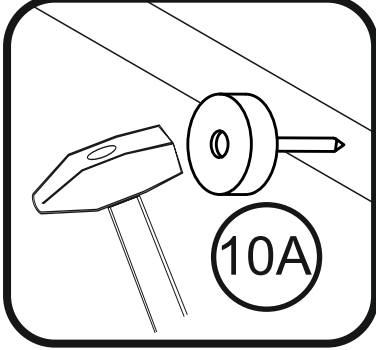
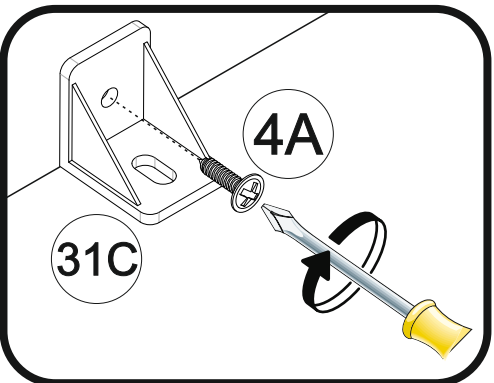
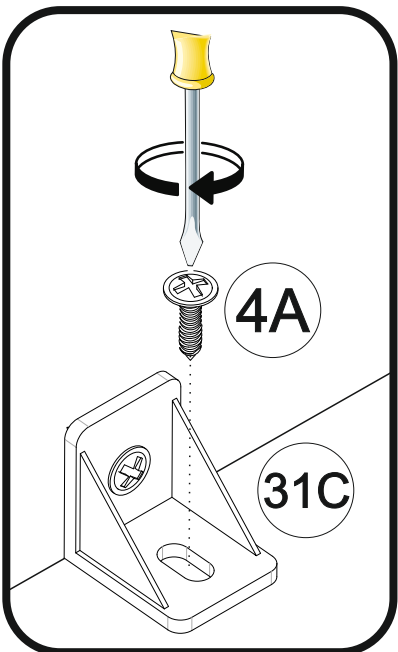
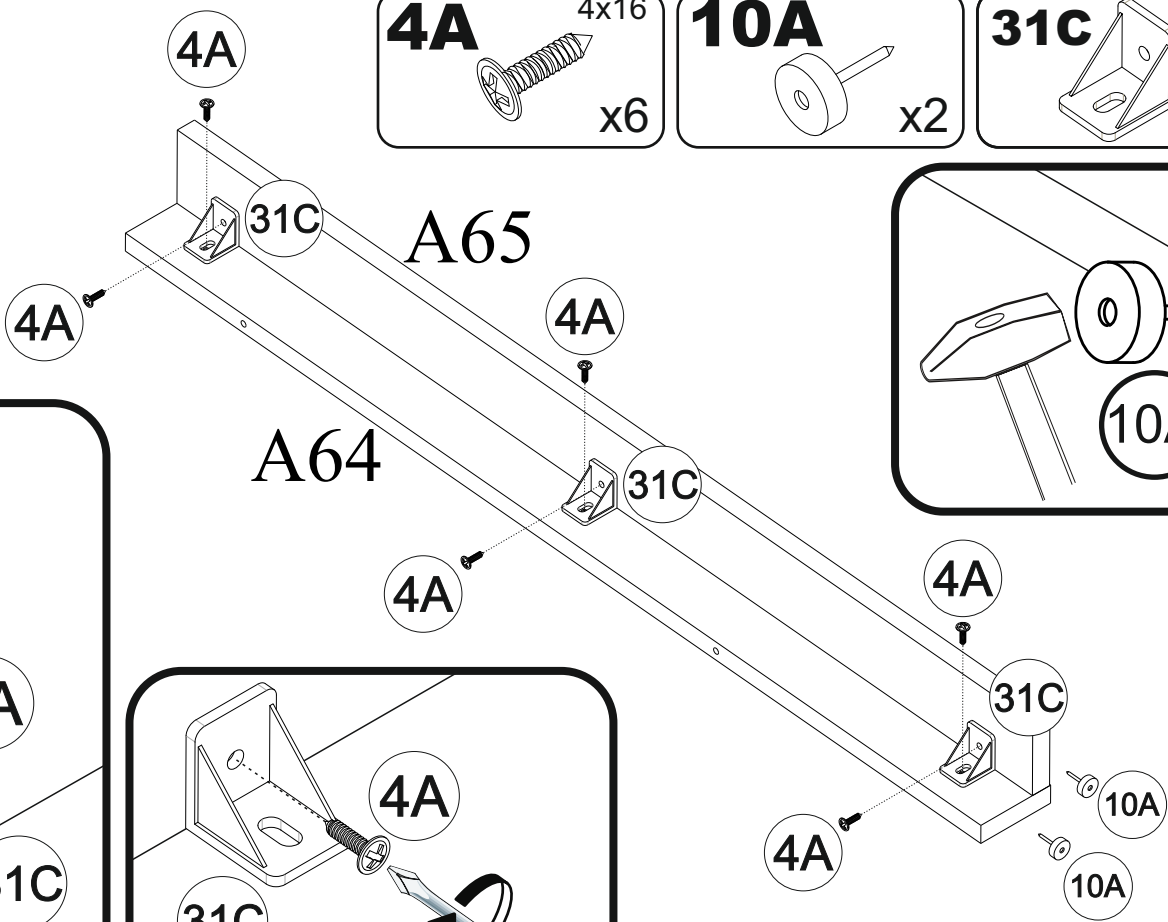
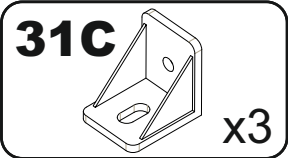
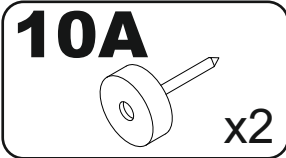
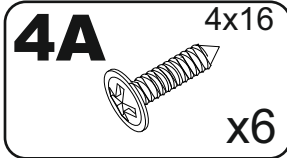
# 13



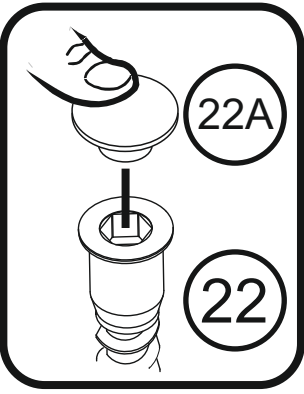
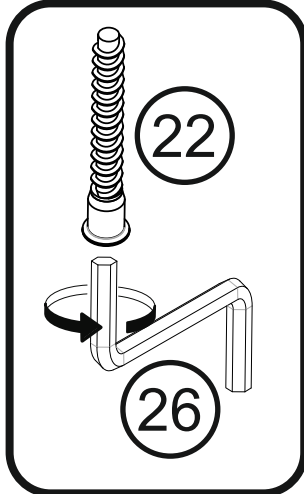
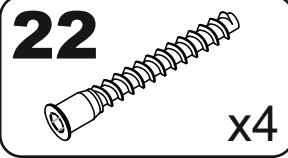
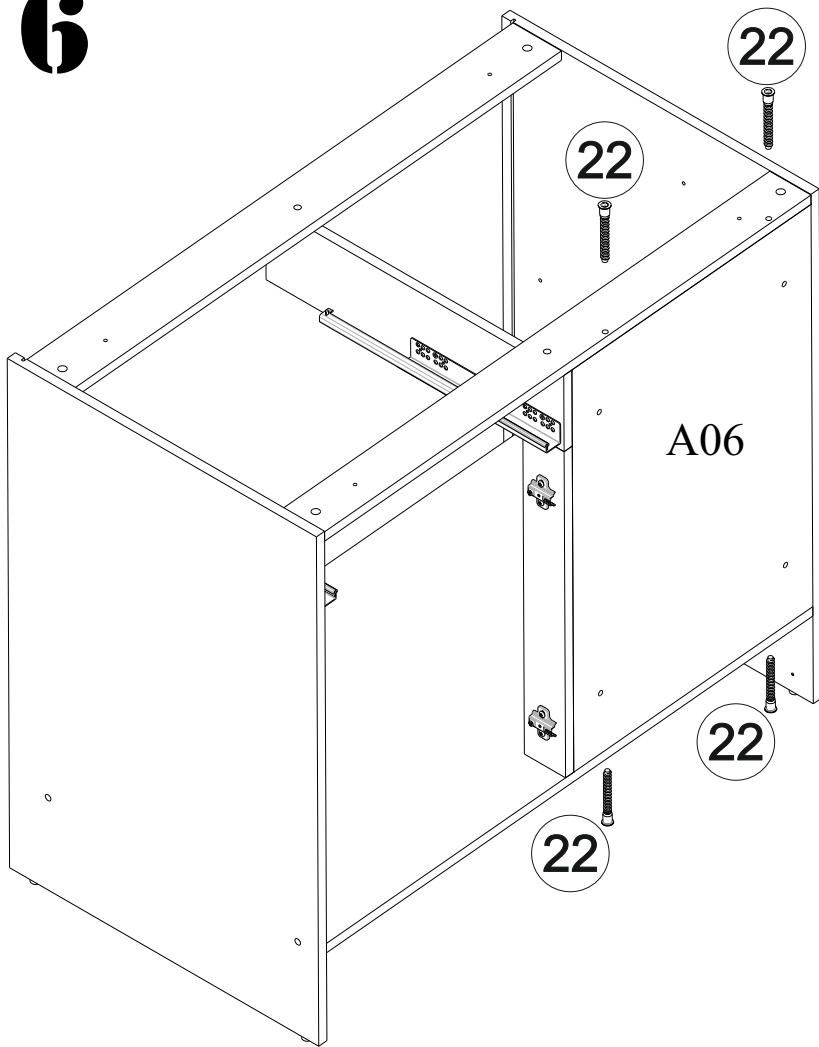
# 14



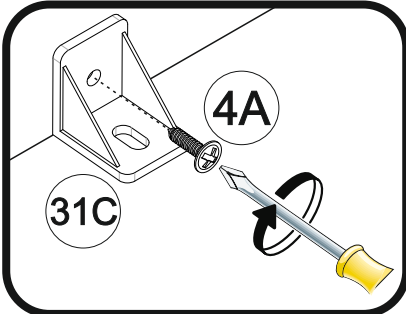
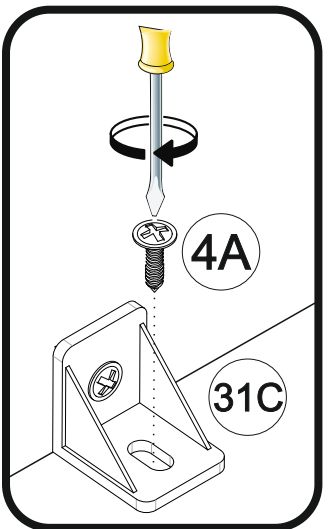
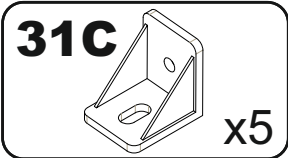
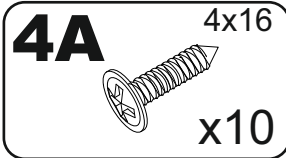
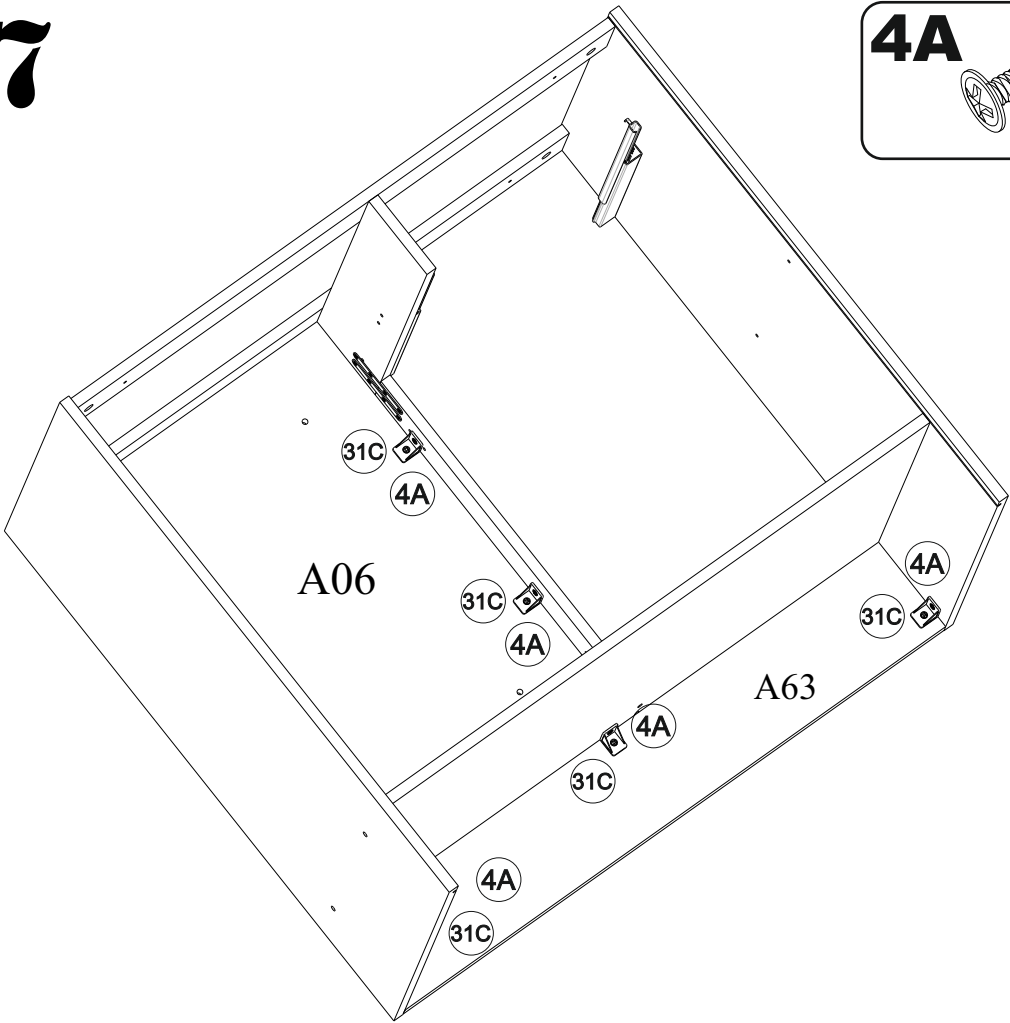
# 15



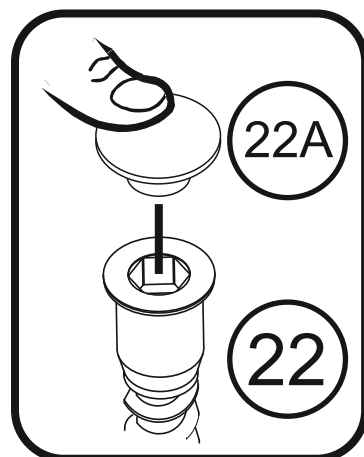
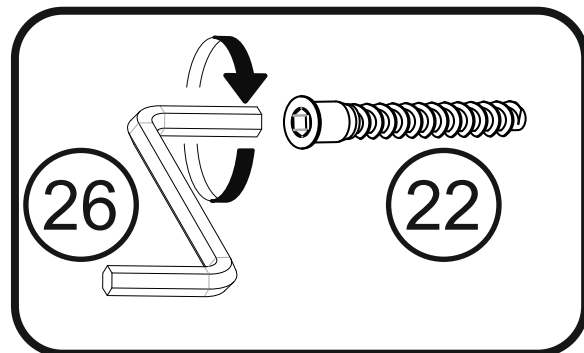
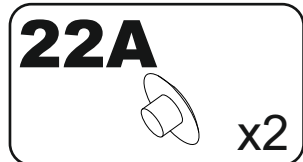
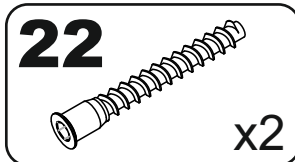
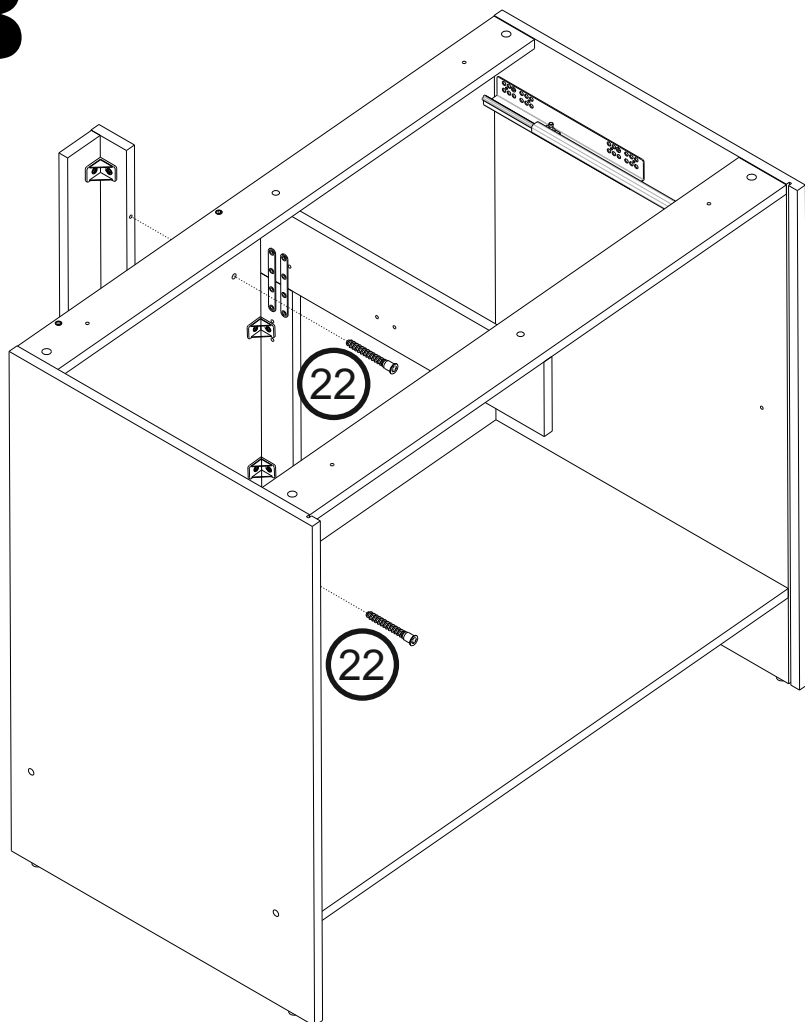
# 16



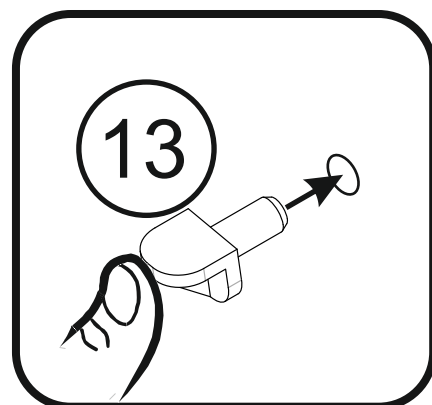
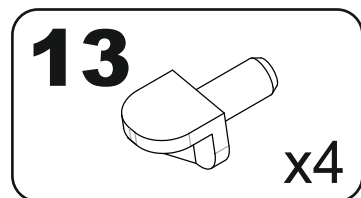
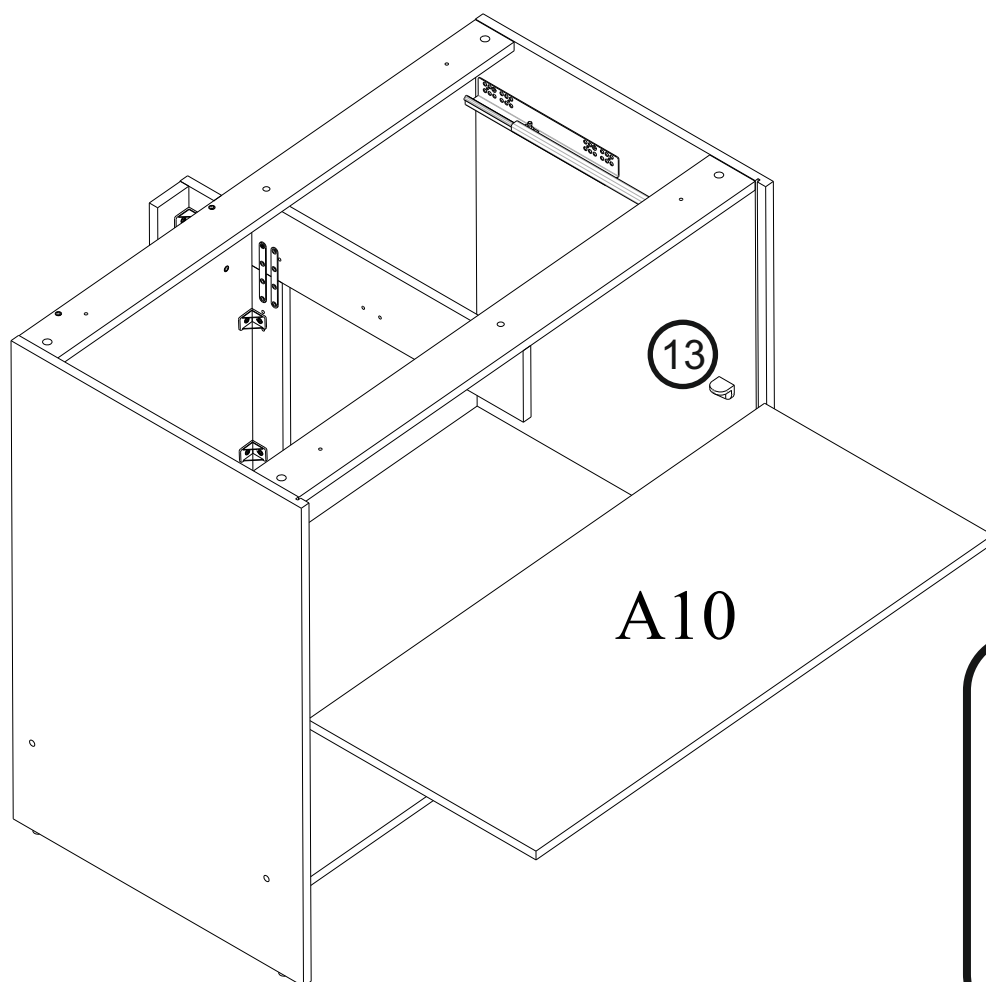
# 17



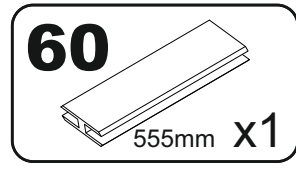
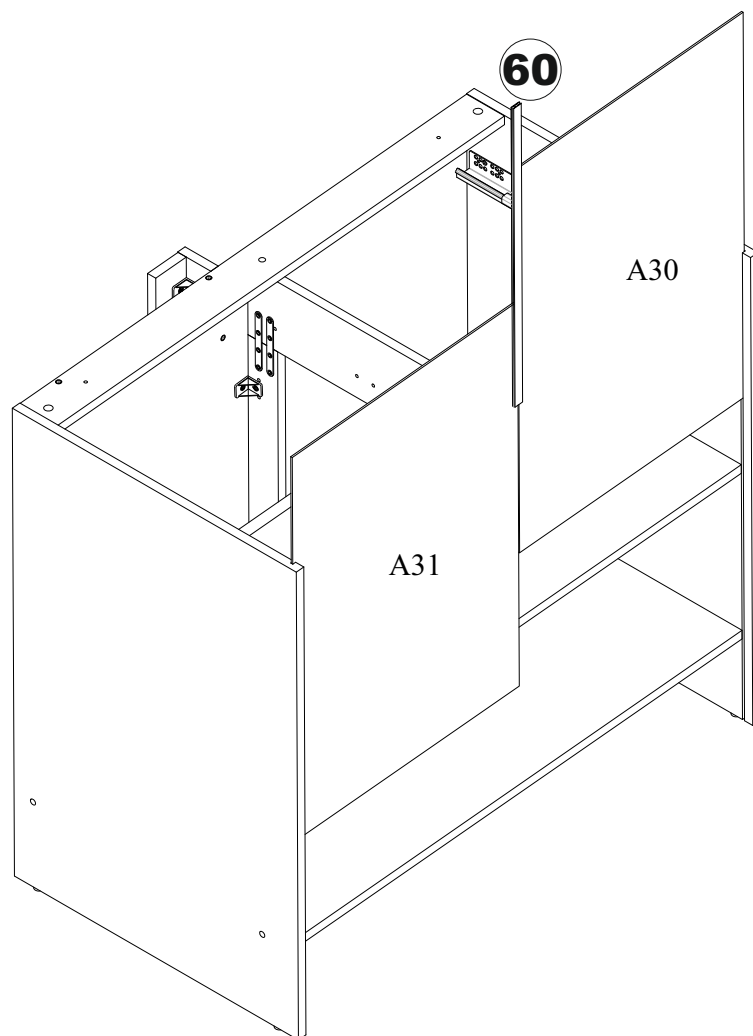
# 18



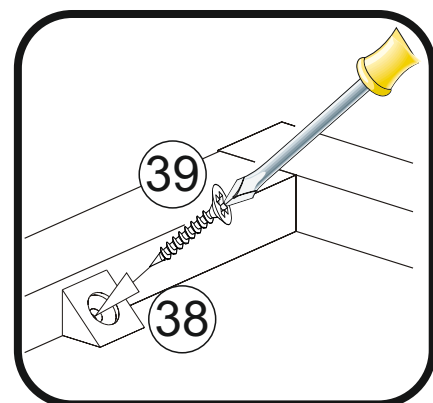
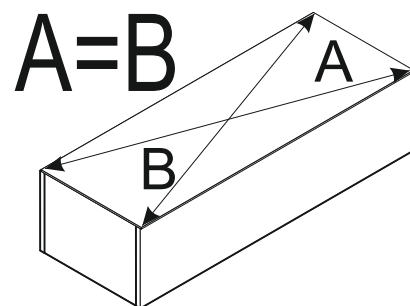
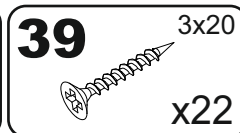
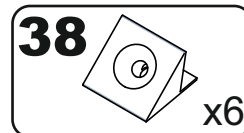
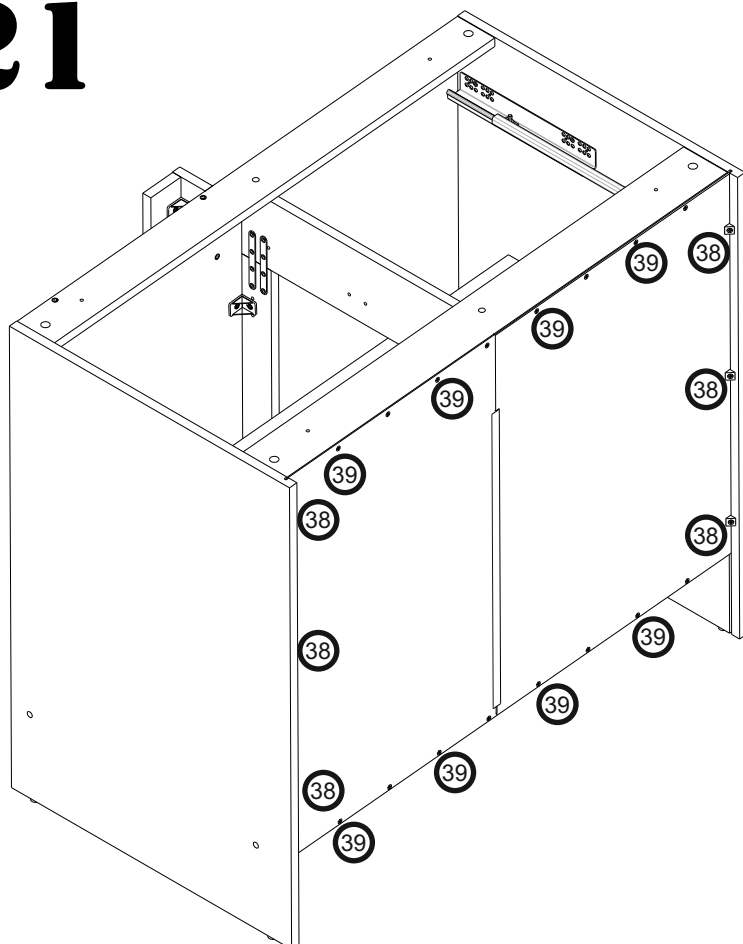
# 19



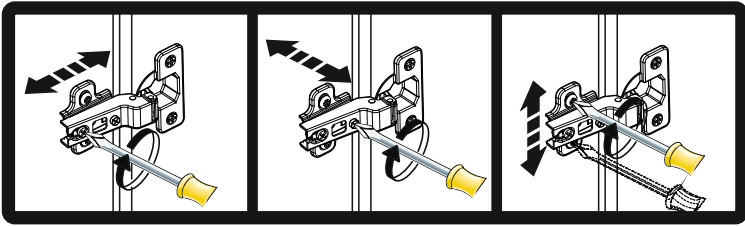
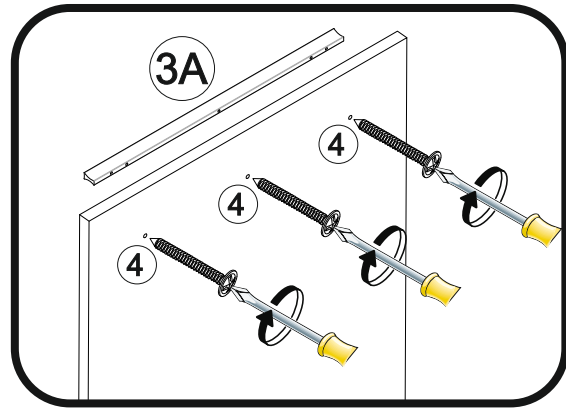
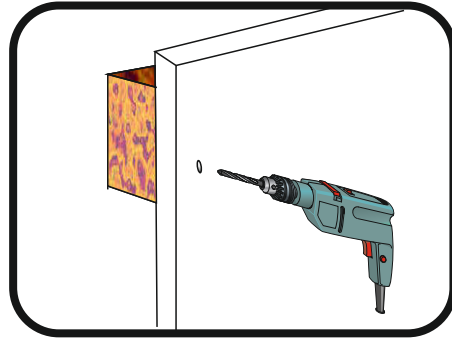
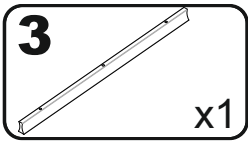
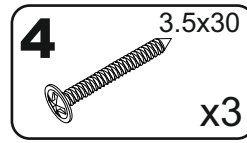
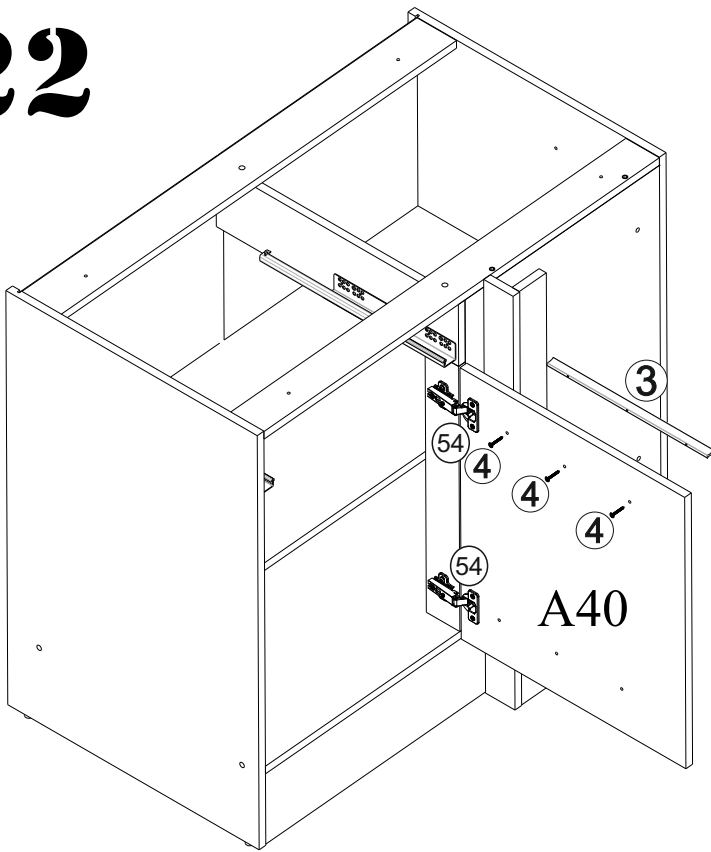
# 20



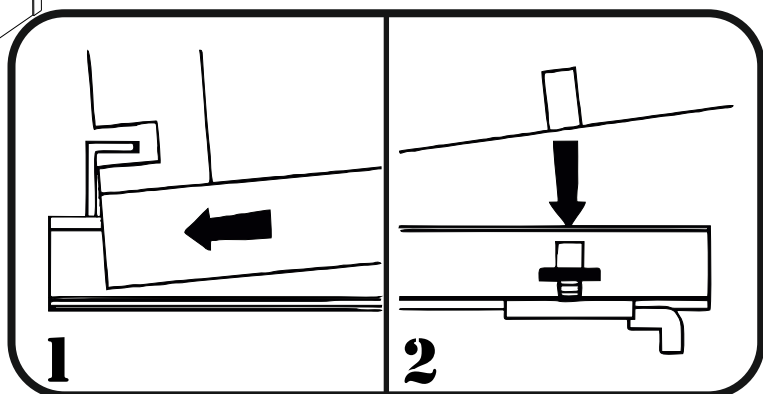
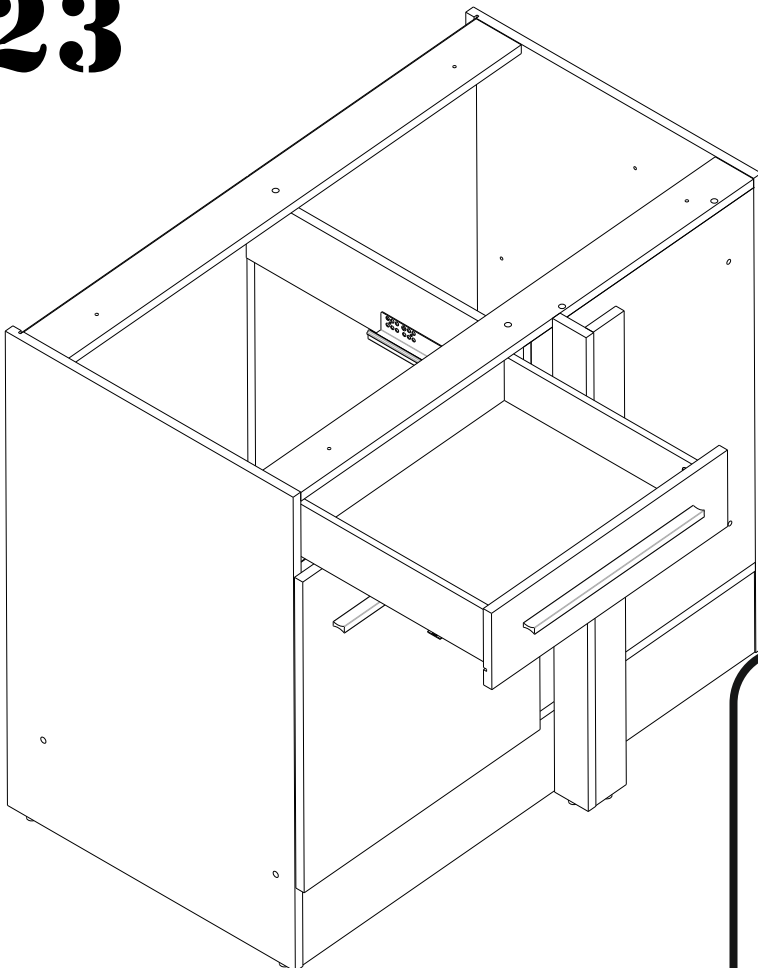
# 21



# 22

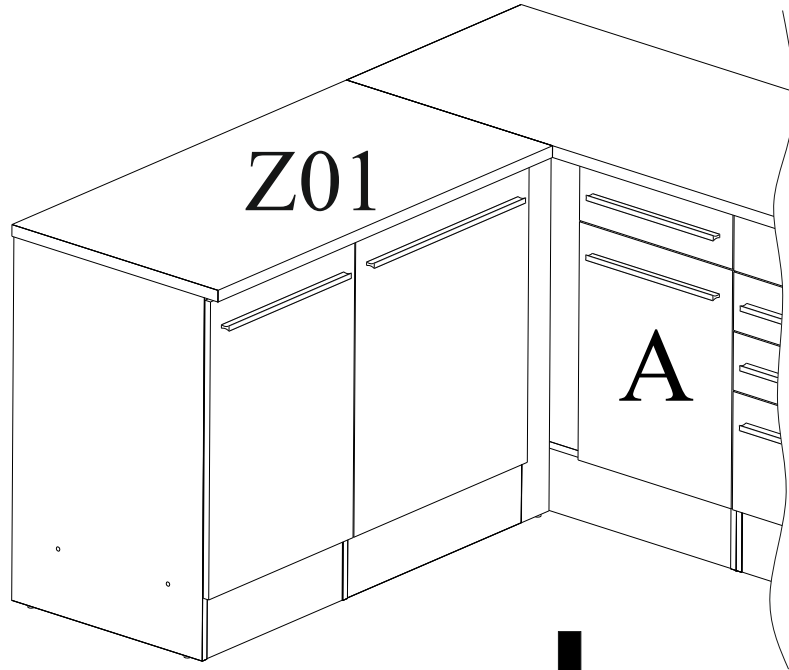


# 23





A.VERSION-LINKS/LEFT



B.VERSION-RECHTS/RIGHT

