



GR3



GR5



GR6

**OWNER'S MANUAL  
BEDIENUNGSANLEITUNG  
GEBRUIKERSHANDLEIDING  
MANUEL D'UTILISATION**

|    |            |
|----|------------|
| 3  | ENGLISH    |
| 35 | DEUTSCH    |
| 67 | NEDERLANDS |
| 99 | FRANÇAIS   |

# INDOOR CYCLE OPERATION



ENGLISH

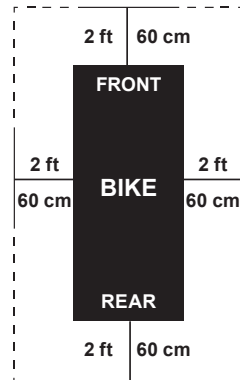


GR3  
GR5  
GR6

## HOW TO MOVE THE INDOOR CYCLE

Due to the weight of the Indoor Cycle, it is recommended that two persons move it. While one person lifts the back of the indoor cycle, the second person firmly holds the handlebar and tips the indoor cycle forward until it rolls on the wheels. Carefully move the Indoor Cycle to the desired location and then lower it.

If the Indoor Cycle rocks on the floor after being set down, turn the leveling feet underneath the front or rear stabilizer until the rocking motion is eliminated.

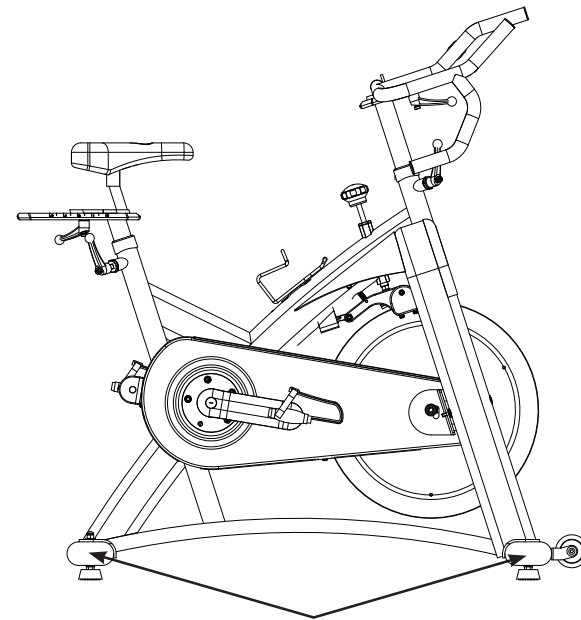


## LOCATION OF THE INDOOR CYCLE

Place the Indoor Cycle on a level surface. There should be 2 feet (60 cm) of each side surround the Indoor Cycle. Do not place the cycle in any area that will block any vent or air openings. The Indoor Cycle should not be located in a garage, covered patio, near water or outdoors.

## WARNING

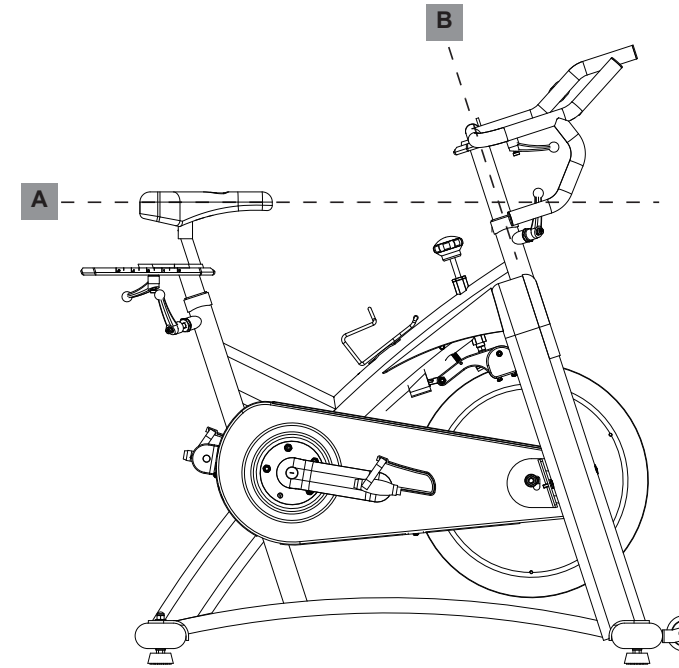
To reduce the risk of injury, use extreme caution while moving the indoor cycle. Do not attempt to move it over uneven surfaces and make sure there's a safety space of 20 inch (minimum) to the nearest equipment is recommended.



Leveling Feet  
( GR6 SHOWN )

## HOW TO ADJUST THE INDOOR CYCLE

The Indoor Cycle can be adjusted for maximum comfort and exercise effectiveness. The instructions below describe one approach to adjusting the Indoor Cycle to ensure optimal user comfort and ideal body positioning; you may choose to adjust the Indoor Cycle differently.



( GR6 SHOWN )

## SADDLE ADJUSTMENT

Proper saddle height helps ensure maximum exercise efficiency and comfort, while reducing the risk of injury. Adjust the saddle height to make sure it's in proper position, one that keeps a slightly bend in your knee while your legs are in the extended position.

## HANDLEBAR ADJUSTMENT

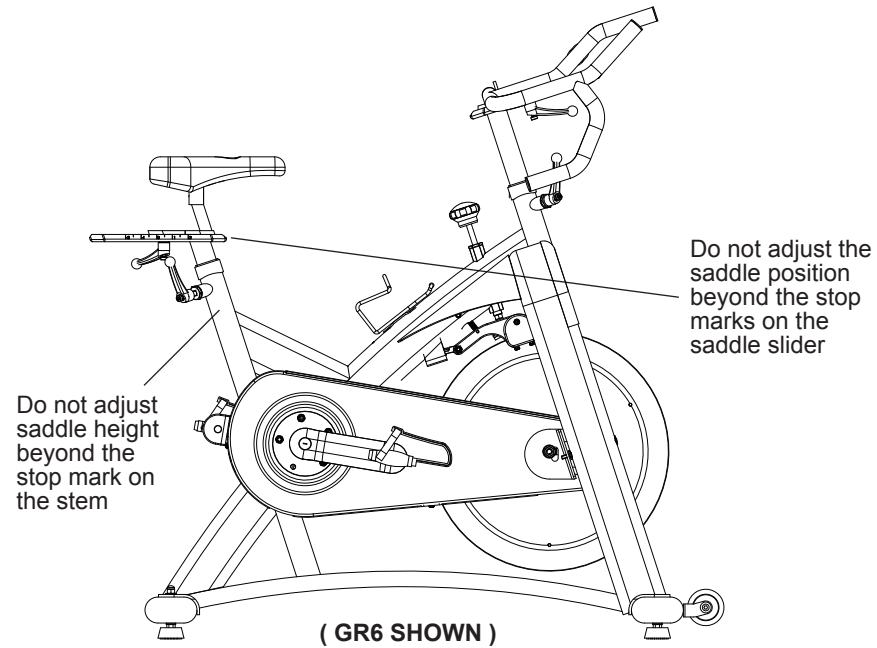
Proper position for the handlebar is based primarily on comfort. Typically, the handlebar should be positioned slightly higher than the saddle for beginning cyclists. Advanced cyclists could try different heights to get the arrangement most suitable for you.



GR3  
GR5  
GR6



GR3  
GR5  
GR6



### TO ADJUST THE SADDLE HEIGHT:

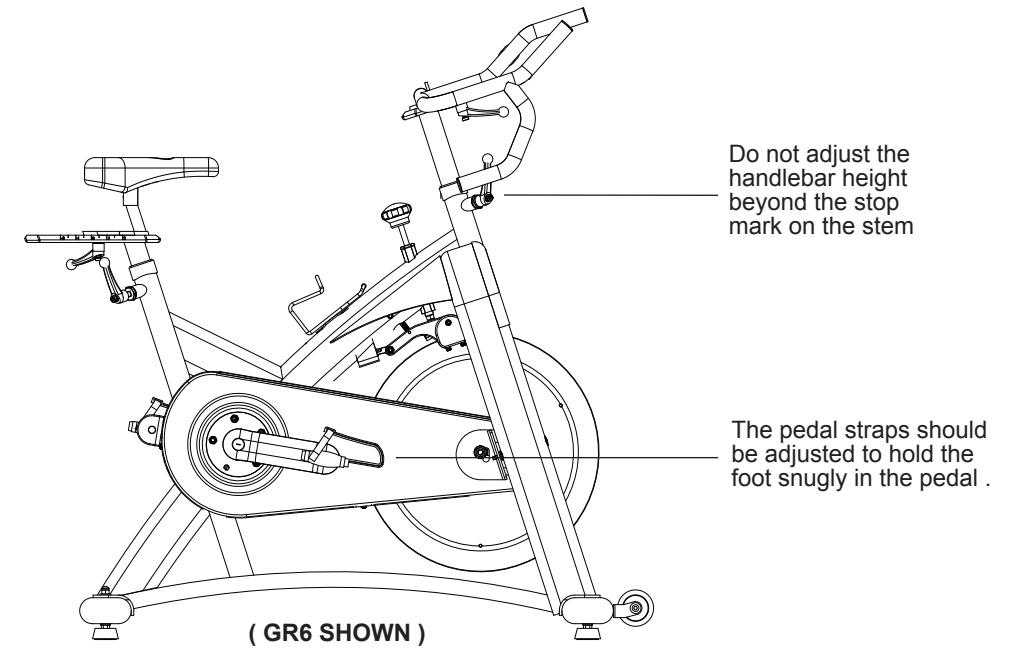
Rotate the adjustment lever counterclockwise and adjust the saddle to a comfortable pedaling position. Rotate the lever clockwise to lock saddle position.

### TO ADJUST THE SADDLE HORIZONTAL POSITION:

Rotate the adjustment lever counterclockwise to slide the saddle forward or backward as desired. Rotate the lever clockwise to lock saddle position. Test the saddle slide for proper operation.



GR3  
GR5  
GR6



### TO ADJUST THE HANDLEBAR HEIGHT:

Rotate the adjustment lever counterclockwise to adjust the handlebar height. Raise or lower the handlebar to the desired height. Rotate the lever clockwise to lock handlebar position.

### TO ADJUST THE PEDAL STRAPS:

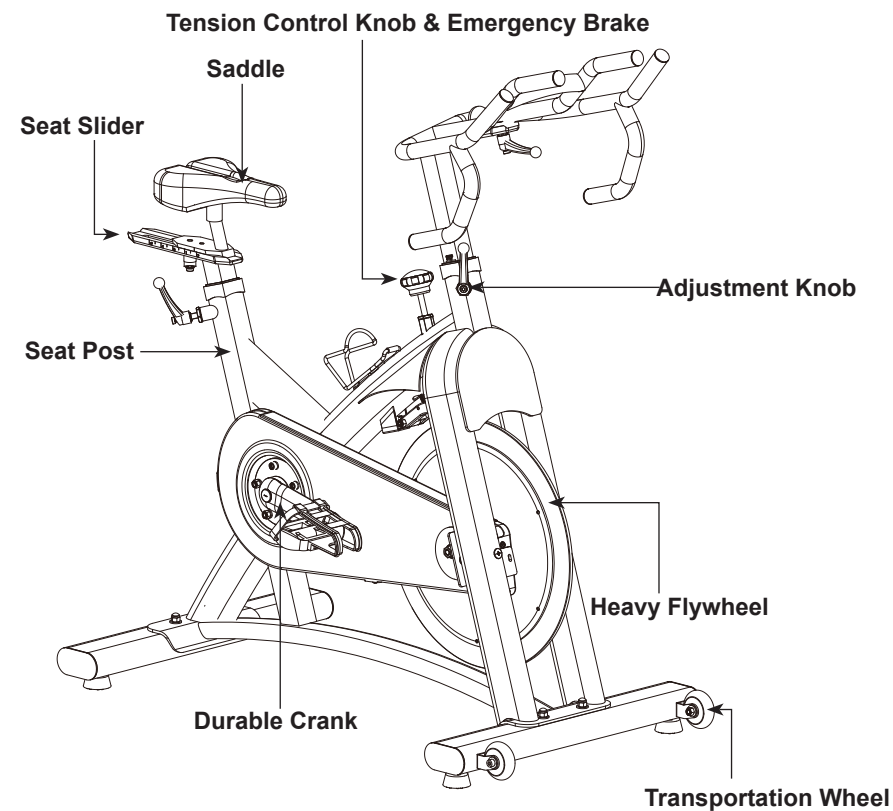
Place each foot ankle on the pedal and in the toe clip that the foot ankle is centered over the pedal spindle (center of the pedal). Rotate one foot to arms reach and pull up on the toe clip strap. Repeat for the other foot. Keep your knees over your feet as you pedal. To remove your foot from the toe clip, loosen the strap and pull out.



## MODEL INFORMATION



GR6  
SHOWN



( GR6 SHOWN )

## MAIN PARTS INCLUDED:

- 1 Main Frame
- Front & rear stabilizer
- Handlebar Set
- Handlebar Mast Set (Only GR6)
- Seat Post Set
- Pedal Set

## PARTS PACKING INCLUDED:

- 1 Parts box
- 1 Owner's Manual

## PRE ASSEMBLY

### UNPACKING

Due to the weight of the indoor cycle, **it is recommended that two persons perform the assembly**. Set the indoor cycle in a cleared area and remove all packing materials; do not dispose of the packing materials until assembly is completed.

NOTE: During each assembly step, ensure that ALL nuts and bolts are in place and partially threaded in before completely tightening any ONE bolt.

NOTE: A light application of grease may aid in the installation of hardware. Any grease, such as lithium bike grease is recommended.

### NEED HELP?

If you have questions or if there are any missing parts, contact your local dealer. Contact information may be located on the back panel of this manual or on warranty card.



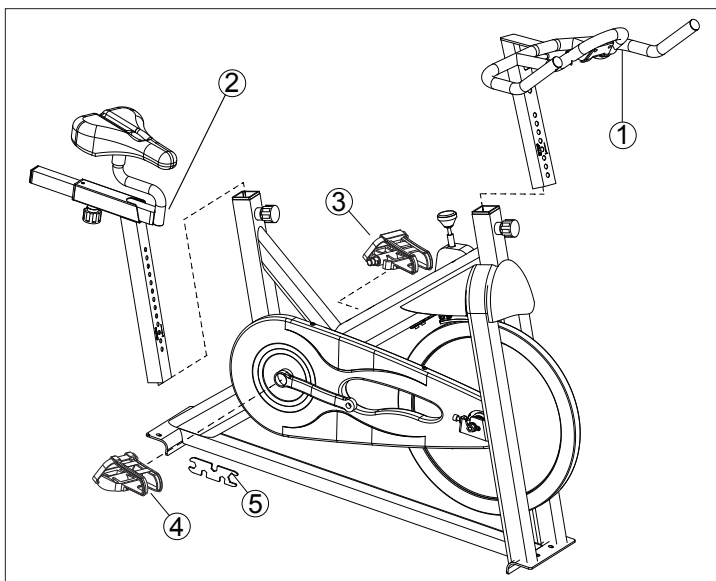
GR3  
GR5  
GR6

## GR3 ASSEMBLY STEP 1



GR3

| HARDWARE FOR STEP 1 : |                    |     |
|-----------------------|--------------------|-----|
| NO.                   | DESCRIPTION        | QTY |
| 1                     | HANDLEBAR          | 1   |
| 2                     | SEAT POST          | 1   |
| 3                     | LEFT PEDAL         | 1   |
| 4                     | RIGHT PEDAL        | 1   |
| 5                     | COMBINATION WRENCH | 1   |



- A Install the **HANDLEBAR (1)** into the frame receptor and secure with the knob.
- B Install the **SEAT POST (2)** into the frame receptor and secure with the knob.
- C Thread the **LEFT PEDAL (3)** that has "L" on the spindle to the left side arm of the cycle using the **COMBINATION WRENCH (5)**. Please note that the L pedal is left-hand threaded which needs to be turned counter clockwise to tighten.
- D Thread the **RIGHT PEDAL (4)** that has "R" on the spindle to the right side arm of the cycle using the **COMBINATION WRENCH (5)**. Please note that the R pedal is right-hand threaded which needs to be turned clockwise to tighten.

ENGLISH

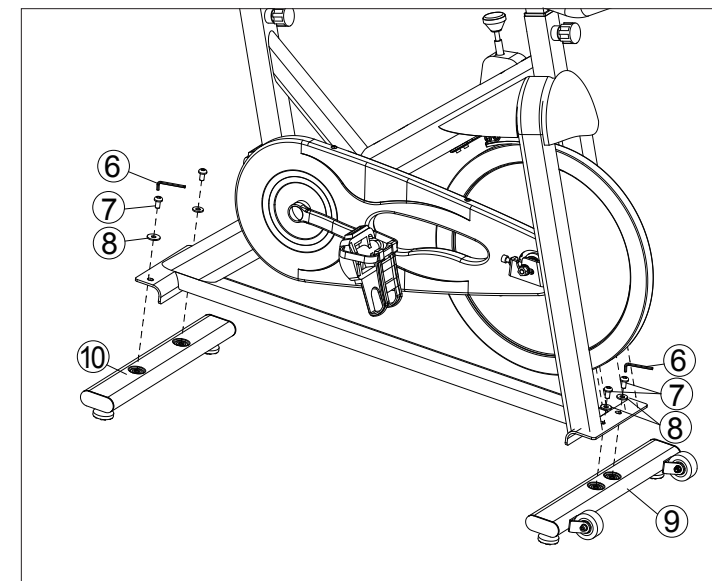
12

## GR3 ASSEMBLY STEP 2



GR3

| HARDWARE FOR STEP 2 : |                        |     |
|-----------------------|------------------------|-----|
| NO.                   | DESCRIPTION            | QTY |
| 6                     | ALLEN WRENCH           | 1   |
| 7                     | ALLEN BOLTS (M8 X 16L) | 8   |
| 8                     | WASHERS                | 8   |
| 9                     | FRONT STABILIZER       | 1   |
| 10                    | REAR STABILIZER        | 1   |



- A Attach the **FRONT STABILIZER (9)** to the frame using 2 **ALLEN BOLTS (7)** and 2 **WASHERS (8)**, and secure firmly by **ALLEN WRENCH (6)**.
- B Attach the **REAR STABILIZER (10)** to the frame using 2 **ALLEN BOLTS (7)** and 2 **WASHERS (8)**, and secure firmly by **ALLEN WRENCH (6)**.

ENGLISH

13

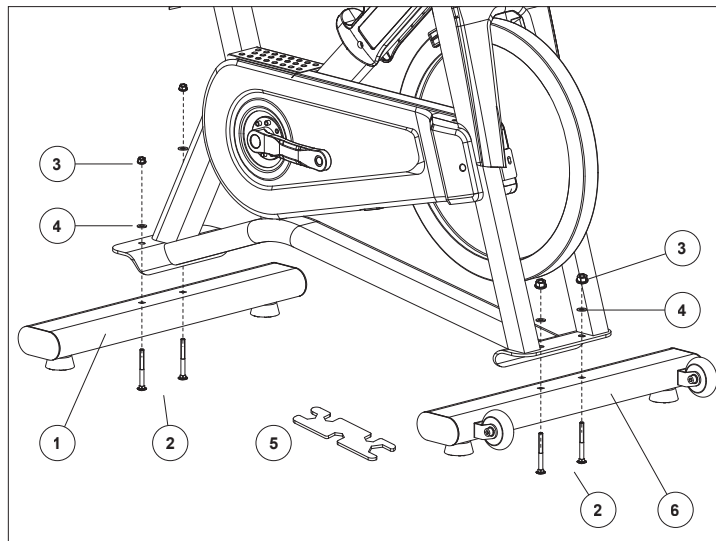
## GR5 ASSEMBLY STEP 1



GR5

| HARDWARE FOR STEP 1 : |                  |     |
|-----------------------|------------------|-----|
| NO.                   | DESCRIPTION      | QTY |
| 1                     | REAR STABILIZER  | 1   |
| 2                     | BOLTS            | 4   |
| 3                     | NUTS             | 4   |
| 4                     | WASHERS          | 4   |
| 5                     | WRENCH           | 1   |
| 6                     | FRONT STABILIZER | 1   |

- A Attach the **REAR STABILIZER (1)** to the frame using 2 **NUTS (3)**, 2 **WASHERS (4)** and 2 **BOLTS (2)**, and secure firmly using the adjustable **WRENCH (5)**.
- B Attach the **FRONT STABILIZER (6)** to the frame using 2 **NUTS (3)**, 2 **WASHERS (4)** and 2 **BOLTS (2)**, and secure firmly using the adjustable **WRENCH (5)**.



ENGLISH

14

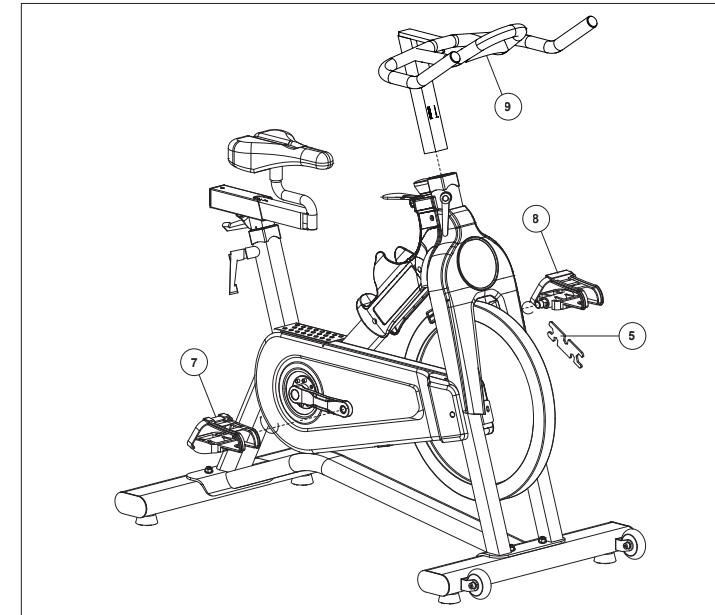
## GR5 ASSEMBLY STEP 2



GR5

| HARDWARE FOR STEP 2 : |             |     |
|-----------------------|-------------|-----|
| NO.                   | DESCRIPTION | QTY |
| 5                     | WRENCH      | 1   |
| 7                     | RIGHT PEDAL | 1   |
| 8                     | LEFT PEDAL  | 1   |
| 9                     | HANDLEBAR   | 1   |

- A Thread the **LEFT PEDAL (8)** that has "L" on the spindle to the left side arm of the cycle using the adjustable **WRENCH (5)**. Please note that the L pedal is left-hand threaded which needs to be turned **counter clockwise** to tighten.
- B Thread the **RIGHT PEDAL (7)** that has "R" on the spindle to the right side arm of the cycle using the adjustable **WRENCH (5)**. Please note that the R pedal is right-hand threaded which needs to be turned **clockwise** to tighten.
- C Install the **HANDLEBAR (9)** into the frame receptor and secure with the quick release.



ENGLISH

15

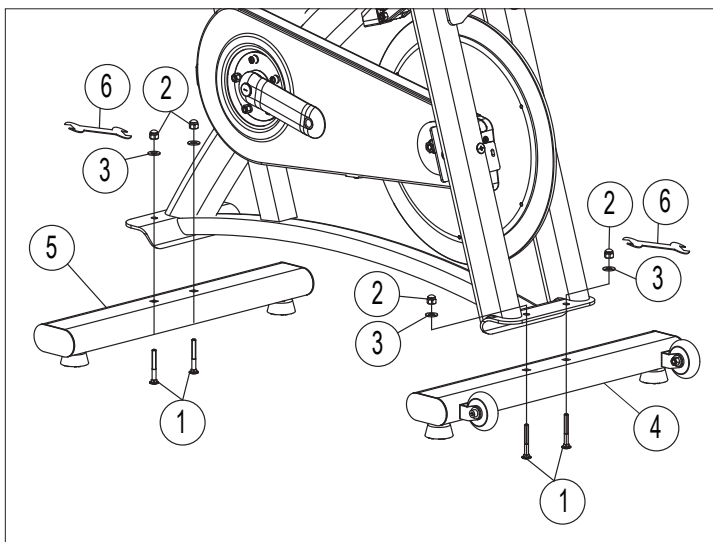


## GR6 ASSEMBLY STEP 1

### HARDWARE FOR STEP 1 :

| NO. | DESCRIPTION      | QTY |
|-----|------------------|-----|
| 1   | BOLTS            | 4   |
| 2   | NUTS             | 4   |
| 3   | WASHERS (M8)     | 4   |
| 4   | FRONT STABILIZER | 1   |
| 5   | REAR STABILIZER  | 1   |
| 6   | WRENCH           | 1   |

- A Attach the **FRONT STABILIZER (4)** and **REAR STABILIZER (5)** to the frame using 4 **BOLTS (1)** and 4 **WASHERS (3)** and 4 **NUTS (2)**, and secure firmly by **WRENCH (6)**.

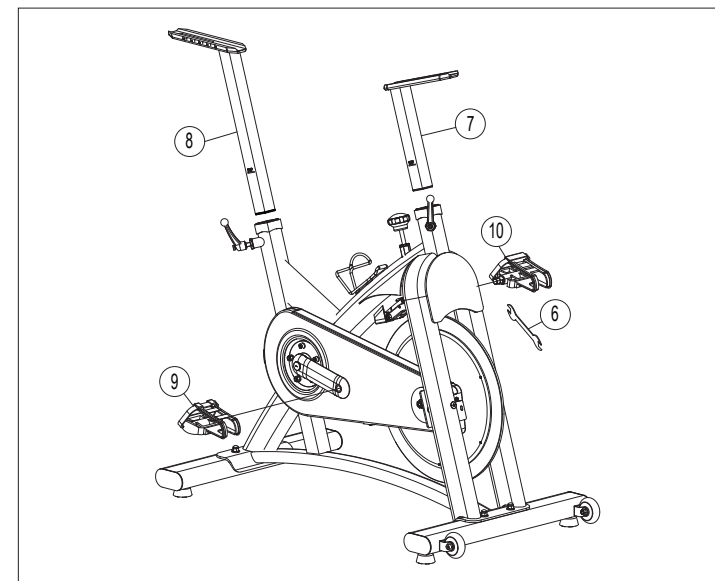


## GR6 ASSEMBLY STEP 2

### HARDWARE FOR STEP 2 :

| NO. | DESCRIPTION    | QTY |
|-----|----------------|-----|
| 6   | WRENCH         | 1   |
| 7   | HANDLEBAR MAST | 1   |
| 8   | SEAT POST      | 1   |
| 9   | RIGHT PEDAL    | 1   |
| 10  | LEFT PEDAL     | 1   |

- A Thread the **LEFT PEDAL (10)** that has "L" on the spindle to the left side arm of the cycle using the **WRENCH (6)**. Please note that the L pedal is left-hand threaded which needs to be turned counter clockwise to tighten.
- B Thread the **RIGHT PEDAL (9)** that has "R" on the spindle to the right side arm of the cycle using the **WRENCH (6)**. Please note that the R pedal is right hand threaded which needs to be turned clockwise to tighten.
- C Install the **HANDLEBAR MAST(7)** into the frame receptor and secure with the quick release.
- D Install the **SEAT POST(8)** into the frame receptor and secure with the quick release.



GR6

ENGLISH

16



GR6

ENGLISH

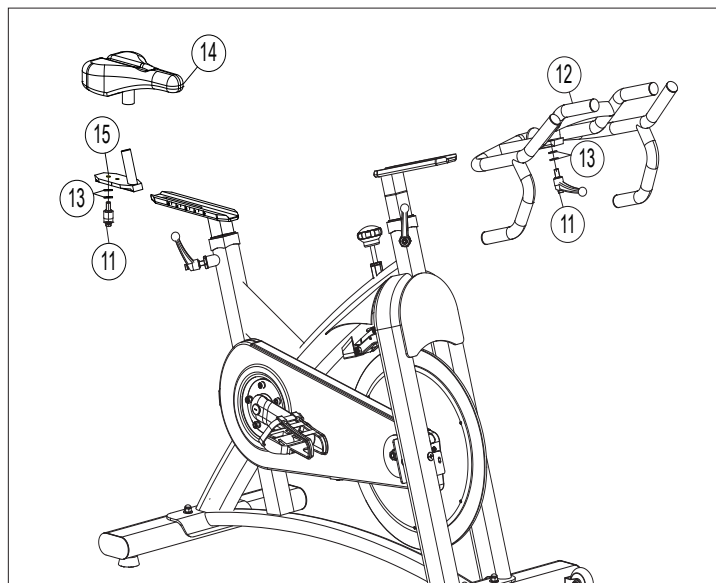
17

## GR6 ASSEMBLY STEP 3



GR6

| HARDWARE FOR STEP 3 : |               |     |
|-----------------------|---------------|-----|
| NO.                   | DESCRIPTION   | QTY |
| 11                    | QUICK RELEASE | 2   |
| 12                    | HANDLEBAR     | 1   |
| 13                    | WASHERS (M10) | 4   |
| 14                    | SADDLE        | 1   |
| 15                    | SEAT SLIDER   | 1   |



- A Install the **HANDLEBAR (12)** into the handlebar mast receptor using 2 **WASHERS (13)** and secure with the **QUICK RELEASE(11)**.
- B Install the **SADDLE (14)** into the **SEAT SLIDER (15)** receptor and secure with the wrench.
- C Attach the **SEAT SLIDER (15)** to the **SEAT POST (8)** using 2 **WASHERS (13)** and secure with the **QUICK RELEASE(11)**.

# TROUBLESHOOTING & MAINTENANCE



ENGLISH

18

ENGLISH

## COMMON PRODUCT QUESTIONS



### ARE THE SOUNDS MY INDOOR CYCLE MAKES NORMAL?

Our Indoor Cycles are some of the quietest available because they use belt drives and cantilever brake resistance. We use the highest grade bearings and chains/belts to minimize noise. However, because the resistance system itself is so quiet, you will occasionally hear other slight mechanical noises. Unlike older, louder technologies, there are no fans, friction belts, or alternator noises to mask these sounds on our Indoor Cycles. These mechanical noises, which may or may not be intermittent, are normal and are caused by the transfer of significant amounts of energy to a rapidly spinning flywheel. All bearings, chains/belts and other rotating parts will generate some noise which will transmit through the casing and frame. It is also normal for these sounds to change slightly during a workout and over time because of thermal expansion of the parts.

### WHY IS THE INDOOR CYCLE I HAD DELIVERED LOUDER THAN THE ONE AT THE STORE ?

All fitness products seem quieter in a large store showroom because there is generally more background noise than in your home. Also, there will be less reverberation on a carpeted concrete floor than on a wood overlay floor. Sometimes a heavy rubber mat will help reduce reverberation through the floor. If a fitness product is placed close to a wall, there will be more reflected noise.

### HOW LONG WILL THE BELT LAST?

The computer modeling we have done indicated virtually thousands of maintenance free hours. You should not have to replace the belt as long as you have the Indoor Cycle.

### CAN I MOVE THE INDOOR CYCLE EASILY ONCE IT IS ASSEMBLED?

Your Indoor Cycle has a pair of transport wheels built into the front stabilizer tube. Please follow the moving the Indoor Cycle section to transport your Indoor Cycle. It is important that you place your Indoor Cycle in a comfortable and inviting room. Your Indoor Cycle is designed to use minimal floor space. Many people will place their Indoor Cycles facing the TV or a picture window. If at all possible, avoid putting your Indoor Cycle in an unfinished basement. To make exercise a desirable daily activity for you, the Indoor Cycle should be in a comfortable setting.

## TROUBLES HOOTING

**PROBLEM:** The Indoor Cycle makes a squeaking or chirping noise.

**SOLUTION:** Verify the following:

- The Indoor Cycle is on a level surface.
- Loosen all bolts attached during the assembly process, grease the threads, and tighten again.

If this does not remedy the problem, you may  
**CONTACT CUSTOMER TECH SUPPORT AT THE NUMBER ON THE INFORMATION CARD.**

The following information may be asked of you when you call. Please have these items readily available:

- Model Name
- Serial Number
- Proof of Purchase (receipt or credit card statement)

You may find more troubleshooting suggestions on the customer support section of our website. Contact customer support using the contact information on the INFORMATION CARD.

In order for Customer Tech Support to service your Indoor Cycle they may need to ask detailed questions about the symptoms that are occurring. Some troubleshooting questions that may be asked are:

- How long has this problem been occurring?
- Does this problem occur with every use? With every user?
- If you are hearing a noise, does it come from the front or the back? What kind of noise is it (thumping, grinding, squeaking, chirping etc.)?
- Has the machine been lubricated and maintained per the maintenance schedule?

Answering these and other questions will give the technicians the ability to send proper replacement parts and the service necessary to get you and your Indoor Cycle running again!





## MAINTENANCE

The safety level given by the design of the Indoor Cycle can only be maintained when the equipment is regularly examined for damage and wear. Inoperable components should be replaced or the equipment should be put out of use until it is repaired.

### DAILY

- Wipe down the Indoor Cycle after each use to remove sweat and moisture. Use soap and water, or a diluted non-abrasive domestic cleaner solution. Rinse to remove detergent residue and then dry off.
- Before each session, inspect for loose components such as pedals or cranks prior to commencing the next use. Tighten up any loose parts.

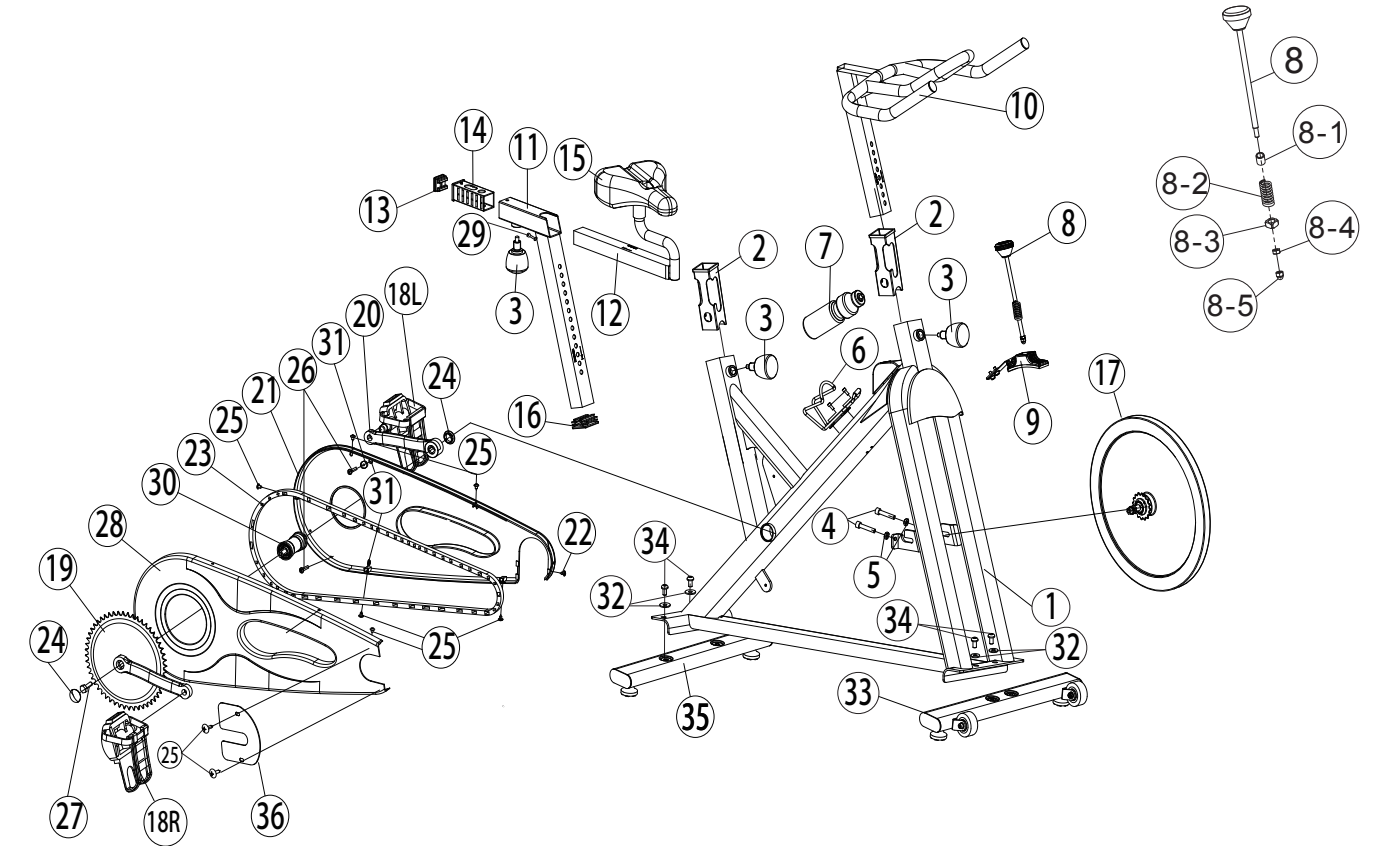
### WEEKLY

- Check for proper flywheel alignment. Torque flywheel nuts as necessary.
- Remove chain guard and check for loose chain. Adjust and lubricate the chain as necessary.
- Check to make sure the crank arms are tight to the bottom bracket.
- Inspect all parts, nuts, bolts, or screws for adjustments, replacements or maintenance.

### MONTHLY

- Inspect the frame and main assembly components for rust or corrosion. Tilt the cycle or place in an upside down position to locate areas where rust and corrosion may develop. Use a small, wire brush to remove rust build-up in small crevasses, such as leveling feet, quick release levers and other bolt assemblies.
- Inspect all wear items for adjustments or possible part replacement. Give particular attention to the following:
  - A) Inspect brake pad for wear. Excessive wear or dryness indicates replacement is required.
  - B) Inspect seat pad for wear. Rips, tears or excessive movement indicates replacement is required.
  - C) Inspect pedals for play. Excessive movement of pedals indicates replacement is required.
- Inspect the chain for tensioning by rotating the crank to drive the flywheel forward. Do this motion in 1/4 turns to assess if there is free play between the crank and the flywheel.
- Dryness or prolonged use may cause the height and reach adjustments for the seat and handlebar to become tight. If this is the case, the sliding assembly should be removed from the frame and have a smear of light duty grease applied along the sliding surface before assembly. Similarly, apply some light grease to the clamping assembly to ensure it does not seize up. Clean off excessive grease before reassembly.
- Please lubricate the seat post, brake pad and handlebar adjustment regularly with lubricant in your parts package.

## GR3 EXPLODED VIEW



## GR3 PARTS LIST

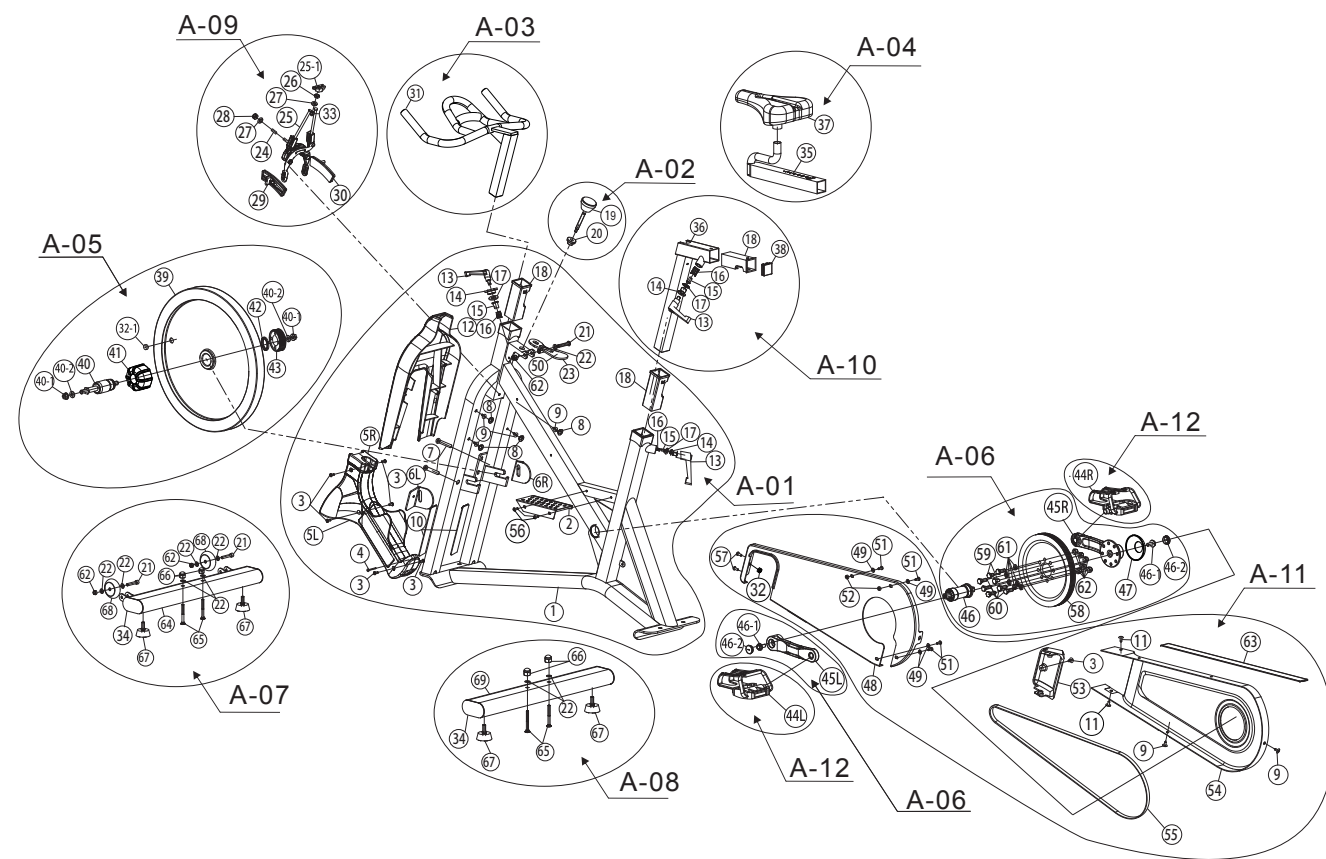
| NO.       | DESCRIPTION                | QTY    |   |
|-----------|----------------------------|--------|---|
| FRAME     |                            |        |   |
| 1         | FRAME                      | 1      |   |
| 2         | SLEEVE                     | 2      |   |
| 3         | ADJUSTABLE KNOB            | 3      |   |
| 4         | ALLEN BOLT                 | 2      |   |
| 5         | ALLEN NUT                  | 2      |   |
| 6         | BOTTLE CAGE                | 1      |   |
| 7         | WATER BOTTLE               | 1      |   |
| BRAKE     |                            |        |   |
| 8         | TENSION CONTROL            | 1      |   |
| 8-1       | SPACER                     | 1      |   |
| 8-2       | HELICAL COMPRESSION SPRING | 1      |   |
| 8-3       | SQUARE NUT                 | Φ13*5T | 1 |
| 8-4       | ALLEN NUT                  | M6     | 1 |
| 8-5       | CAP NUT                    | M6     | 1 |
| 9         | BRAKE PAD ASSEMBLY         | 1      |   |
| HANDLEBAR |                            |        |   |
| 10        | HANDLEBAR                  | 1      |   |
| SEAT POST |                            |        |   |
| 11        | SEAT POST                  | 1      |   |

| NO.          | DESCRIPTION                       | QTY |
|--------------|-----------------------------------|-----|
| 12           | SEAT SLIDER                       | 1   |
| 13           | END CAP                           | 1   |
| 14           | SLEEVE                            | 1   |
| 15           | SADDLE                            | 1   |
| 16           | END CAP                           | 1   |
| FLYWHEEL     |                                   |     |
| 17           | FLYWHEEL ASSEMBLY                 | 1   |
| TRANSMISSION |                                   |     |
| 18R          | PEDAL ( R )                       | 1   |
| 18L          | PEDAL ( L )                       | 1   |
| 19           | CHAIN WHEEL - CP                  | 1   |
| 20           | CRANK - CP                        | 1   |
| 21           | INNER CHAIN GUARD                 | 1   |
| 22           | SELF - TAPPING SCREW              | 1   |
| 23           | CHAIN                             | 1   |
| 24           | CRANK CAP                         | 2   |
| 25           | SELF - TAPPING SCREW              | 8   |
| 26           | SELF - TAPPING SCREW              | 2   |
| 27           | BB BOLT                           | 2   |
| 28           | OUTER CHAIN GUARD WITHOUT STICKER | 1   |

| NO.              | DESCRIPTION        | QTY |
|------------------|--------------------|-----|
| 29               | ALLEN BOLT         | 1   |
| 30               | BOTTOM BRACKET     | 1   |
| 31               | CHAIN GUARD SPACER | 6   |
| FRONT STABILIZER |                    |     |
| 32               | WASHER             | 4   |
| 33               | FRONT STABILIZER   | 1   |
| 34               | ALLEN BOLT         | 4   |
| REAR STABILIZER  |                    |     |
| 35               | REAR STABILIZER    | 1   |
| 36               | CHAIN GUARD COVER  | 1   |



## GR5 EXPLODED VIEW



## GR5 PARTS LIST

| NO.                   | DESCRIPTION                  | QTY |
|-----------------------|------------------------------|-----|
| FRAME ASSEMBLY (A-01) |                              |     |
| 1                     | FRAME                        | 1   |
| 2                     | STAINLESS STEEL PLATE        | 1   |
| 3                     | PHILLIP SCREW                | 6   |
| 4                     | SELF-TAPPING SCREW           | 1   |
| 5L                    | SWEAT GUARD ( L )            | 1   |
| 5R                    | SWEAT GUARD ( R )            | 1   |
| 6L                    | FLYWHEEL DROPOUT PLATE ( L ) | 1   |
| 6R                    | FLYWHEEL DROPOUT PLATE ( R ) | 1   |
| 7                     | ALLEN BOLT                   | 2   |
| 8                     | END CAP                      | 4   |
| 9                     | SELF-TAPPING SCREW           | 4   |
| 10                    | ANTI-SLIPPERY RUBBER PAD     | 2   |
| 12                    | FRONT DECORATIVE COVER       | 1   |
| 13                    | QUICK RELEASE                | 2   |
| 14                    | QUICK-RELEASE NUT            | 2   |
| 15                    | QUICK-RELEASE RECEPTOR       | 2   |
| 16                    | QUICK-RELEASE SPRING         | 2   |
| 17                    | WASHER                       | 2   |
| 18                    | SLEEVE                       | 2   |

| NO.                             | DESCRIPTION             | QTY         |   |
|---------------------------------|-------------------------|-------------|---|
| 21                              | ALLEN BOLT              | 1           |   |
| 22                              | WASHER                  | 1           |   |
| 23                              | EMERGENCY LEVELER       | 1           |   |
| 50                              | EMERGENCY LEVELER DECAL | 1           |   |
| 56                              | SELF-TAPPING SCREW      | 2           |   |
| 62                              | LOCK NUT                | 1           |   |
| TENSION CONTROL KNOB SET (A-02) |                         |             |   |
| 19                              | TENSION CONTROL KNOB    | 1           |   |
| 20                              | SPACER                  | 1           |   |
| HANDLEBAR SET (A-03)            |                         |             |   |
| 31                              | HANDLEBAR               | 1           |   |
| SEAT PAD ADJUSTMENT SET (A-04)  |                         |             |   |
| 35                              | SEAT SLIDER             | 1           |   |
| 37                              | SADDLE                  | 1           |   |
| FLYWHEEL ASSEMBLY (A-05)        |                         |             |   |
| 32-1                            | MAGNET                  | 1           |   |
| 39                              | FLYWHEEL                | 1           |   |
| 40                              | HUB SET                 | 1           |   |
| 40-1                            | FLANGE NUT              | 2           |   |
| 40-2                            | WASHER                  | Φ10*Φ21*2.0 | 2 |



| NO.                              | DESCRIPTION      | QTY |
|----------------------------------|------------------|-----|
| 41                               | HUB COVER        | 1   |
| 42                               | LOCKED RING      | 1   |
| 43                               | SMALL PULLEY     | 1   |
| -                                | FLYWHEEL DECAL   | 2   |
| CRANK AXLE SET (A-06)            |                  |     |
| 45L                              | CRANK ( L )      | 1   |
| 45R                              | CRANK ( R )      | 1   |
| 46                               | BOTTOM BRACKET   | 1   |
| 46-1                             | BB NUT M10*1.5   | 2   |
| 46-2                             | CRANK CAP        | 2   |
| 47                               | FLANGE BOLT CAP  | 1   |
| 58                               | BIG PULLEY       | 1   |
| 59                               | ALLEN BOLT       | 2   |
| 60                               | ALLEN BOLT       | 6   |
| 61                               | SPRING WASHER    | 6   |
| 62                               | LOCK NUT         | 6   |
| FRONT STABILIZER ASSEMBLY (A-07) |                  |     |
| 21                               | ALLEN BOLT       | 2   |
| 22                               | WASHER           | 6   |
| 34                               | STABILIZER DECAL | 2   |

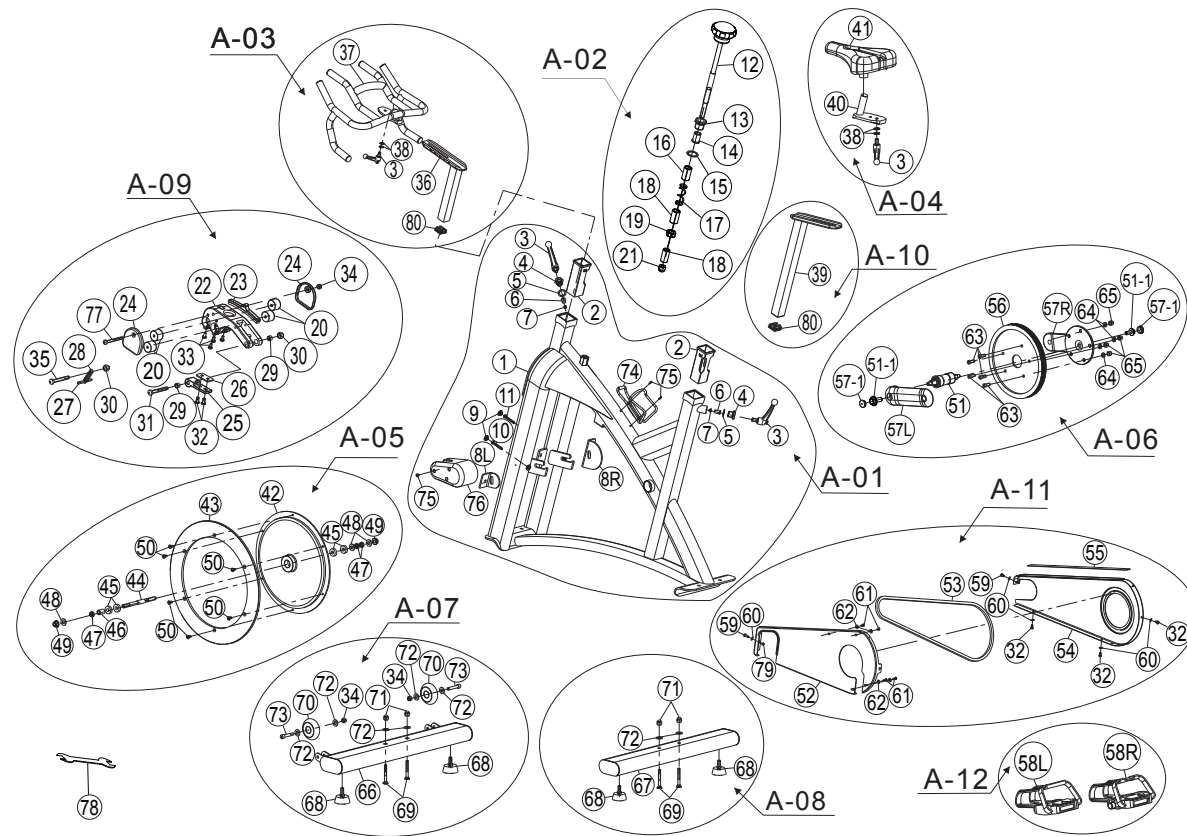
| NO.                             | DESCRIPTION                | QTY |
|---------------------------------|----------------------------|-----|
| 62                              | LOCK NUT                   | 2   |
| 64                              | FRONT STABILIZER           | 1   |
| 65                              | CARRIAGE BOLT              | 2   |
| 66                              | CAP NUT                    | 2   |
| 67                              | ADJUSTABLE LEVELER         | 2   |
| 68                              | TRANSPORTATION WHEEL BLACK | 2   |
| REAR STABILIZER ASSEMBLY (A-08) |                            |     |
| 22                              | WASHER                     | 2   |
| 34                              | STABILIZER DECAL           | 2   |
| 65                              | CARRIAGE BOLT              | 2   |
| 66                              | CAP NUT                    | 2   |
| 67                              | ADJUSTABLE LEVELER         | 2   |
| 69                              | REAR STABILIZER            | 1   |
| BRAKE PAD ASSEMBLY (A-09)       |                            |     |
| 24                              | ACOUSTIC GROMMET           | 1   |
| 25                              | CALIPER                    | 1   |
| 25-1                            | STOPPER                    | 1   |
| 26                              | SQUARE NUT                 | 1   |
| 27                              | WASHER                     | 2   |
| 28                              | LOCK NUT                   | 1   |

| NO.                  | DESCRIPTION              | QTY |
|----------------------|--------------------------|-----|
| 29                   | BRAKE SHOE SET( L )      | 1   |
| 30                   | BRAKE SHOE SET( R )      | 1   |
| 33                   | LOCK NUT                 | 1   |
| SEAT POST SET (A-10) |                          |     |
| 13                   | QUICK RELEASE            | 1   |
| 14                   | QUICK-RELEASE NUT        | 1   |
| 15                   | QUICK-RELEASE RECEPTOR   | 1   |
| 16                   | QUICK-RELEASE SPRING     | 1   |
| 17                   | WASHER                   | 1   |
| 18                   | SLEEVE                   | 1   |
| 36                   | SELF-TAPPING SCREW       | 1   |
| 38                   | ANTI-SLIPPERY RUBBER PAD | 1   |
| COVER SET (A-11)     |                          |     |
| 3                    | PHILLIP SCREW            | 1   |
| 9                    | SELF-TAPPING SCREW       | 2   |
| 11                   | SELF-TAPPING SCREW       | 2   |
| 32                   | HEX NUT                  | 1   |
| 48                   | INNER CHAIN GUARD        | 1   |
| 49                   | WASHER                   | 4   |
| 51                   | PHILLIPS SCREW           | 4   |

| NO.              | DESCRIPTION             | QTY |
|------------------|-------------------------|-----|
| 52               | CHAIN GUARD SPACER      | 2   |
| 53               | FRONT CHAIN GUARD BLACK | 1   |
| 54               | OUTER CHAIN GUARD       | 1   |
| 55               | BELT                    | 1   |
| 57               | PHILLIP SCREW           | 2   |
| 63               | RUBBER STRIPPING        | 1   |
| PEDAL SET (A-12) |                         |     |
| 44R              | PEDAL ( R )             | 1   |
| 44L              | PEDAL ( L )             | 1   |



## GR6 EXPLODED VIEW



## GR6 PARTS LIST

| NO.                             | DESCRIPTION                  | QTY |
|---------------------------------|------------------------------|-----|
| FRAME ASSEMBLY (A-01)           |                              |     |
| 1                               | FRAME                        | 1   |
| 2                               | SLEEVE                       | 2   |
| 3                               | QUICK RELEASE                | 1   |
| 4                               | QUICK-RELEASE NUT            | 2   |
| 5                               | WASHER                       | 2   |
| 6                               | QUICK-RELEASE RECEPTOR       | 2   |
| 7                               | QUICK RELEASE SPRING         | 2   |
| 8L                              | FLYWHEEL DROPOUT PLATE ( L ) | 1   |
| 8R                              | FLYWHEEL DROPOUT PLATE ( R ) | 1   |
| 9                               | END CAP                      | 2   |
| 10                              | ALLEN BOLT                   | 1   |
| 11                              | ALLEN BOLT                   | 1   |
| 74                              | WATER BOTTLE CAGE            | 1   |
| 75                              | PHILLIPS SCREW               | 3   |
| 76                              | FRONT FORK SHIELD            | 1   |
| TENSION CONTROL KNOB SET (A-02) |                              |     |
| 12                              | TENSION CONTROL              | 1   |
| 13                              | POSITIONING NUT              | 1   |
| 14                              | SPACER                       | 1   |

| NO.                            | DESCRIPTION           | QTY |
|--------------------------------|-----------------------|-----|
| 15                             | WASHER                | 1   |
| 16                             | NYLON POSITIONING CAP | 1   |
| 17                             | COMPRESSION SPRING    | 1   |
| 18                             | NYLON HOLDER          | 2   |
| 19                             | ADJUSTMENT NUT        | 1   |
| 21                             | CAP NUT               | 1   |
| HANDLEBAR SET (A-03)           |                       |     |
| 3                              | QUICK RELEASE         | 1   |
| 36                             | HANDLEBAR STEM        | 1   |
| 37                             | HANDLEBAR             | 1   |
| 38                             | WASHER                | 2   |
| 80                             | END CAP               | 1   |
| SEAT PAD ADJUSTMENT SET (A-04) |                       |     |
| 3                              | QUICK RELEASE         | 1   |
| 38                             | WASHER                | 2   |
| 40                             | SEAT SLIDER           | 1   |
| 41                             | SEAT                  | 1   |
| FLYWHEEL ASSEMBLY (A-05)       |                       |     |
| 42                             | FLYWHEEL              | 1   |
| 43                             | ALUMINUM RING         | 1   |







| NO.                              | DESCRIPTION    | QTY |
|----------------------------------|----------------|-----|
| 44                               | HUB AXLE       | 1   |
| 45                               | BEARING        | 4   |
| 46                               | HUB SPACER     | 1   |
| 47                               | ALLEN NUT      | 3   |
| 48                               | WASHER         | 3   |
| 49                               | FLANGE NUT     | 2   |
| 50                               | ALLEN BOLT     | 6   |
| -                                | FLYWHEEL DECAL | 2   |
| CRANK AXLE SET (A-06)            |                |     |
| 51                               | BOTTOM BRACKET | 1   |
| 51-1                             | CRANK BOLT     | 2   |
| 56                               | BIG PULLEY     | 1   |
| 57L                              | CRANK ( L )    | 1   |
| 57R                              | CRANK ( R )    | 1   |
| 57-1                             | CRANK CAP      | 2   |
| 63                               | ALLEN BOLT     | 5   |
| 64                               | SPRING WASHER  | 4   |
| 65                               | LOCKED NUT     | 4   |
| FRONT STABILIZER ASSEMBLY (A-07) |                |     |
| 34                               | LOCKED NUT     | 2   |

| NO.                             | DESCRIPTION                 | QTY |
|---------------------------------|-----------------------------|-----|
| 66                              | FRONT STABILIZER            | 1   |
| 68                              | ADJUSTABLE LEVELER          | 2   |
| 69                              | CARRIAGE BOLT               | 2   |
| 70                              | TRANSPORTATION WHEEL BLACK  | 2   |
| 71                              | CAP NUT                     | 2   |
| 72                              | WASHER                      | 6   |
| 73                              | ALLEN BOLT                  | 2   |
| REAR STABILIZER ASSEMBLY (A-08) |                             |     |
| 67                              | REAR STABILIZER             | 1   |
| 68                              | ADJUSTABLE LEVELER          | 2   |
| 69                              | CARRIAGE BOLT               | 2   |
| 71                              | CAP NUT                     | 2   |
| 72                              | WASHER                      | 2   |
| BRAKE PAD ASSEMBLY (A-09)       |                             |     |
| 20                              | MAGNET                      | 4   |
| 22                              | MAGNET BRACKET              | 1   |
| 23                              | WOOL FELT'S SUPPORTING BASE | 1   |
| 24                              | MAGNET BRACKET SHIELD       | 2   |
| 25                              | MAGNET ADJUSTMENT BRACKET   | 1   |
| 26                              | MAGNET BRACKET FIXER        | 1   |

| NO.                  | DESCRIPTION              | QTY |
|----------------------|--------------------------|-----|
| 27                   | SPRING HOLDER            | 1   |
| 28                   | SPRING                   | 1   |
| 29                   | BRAKE CUSHION            | 2   |
| 30                   | LOCKED NUT               | 2   |
| 31                   | PHILLIPS SCREW           | 1   |
| 32                   | PHILLIPS SCREW           | 2   |
| 33                   | ALLEN BOLT               | 4   |
| 34                   | LOCKED NUT               | 1   |
| 77                   | PHILLIPS SCREW           | 1   |
| SEAT POST SET (A-10) |                          |     |
| 39                   | SEAT POST                | 1   |
| 80                   | END CAP                  | 1   |
| COVER SET (A-11)     |                          |     |
| 32                   | PHILLIP SCREW            | 3   |
| 52                   | INNER CHAIN GUARD        | 1   |
| 53                   | BELT                     | 1   |
| 54                   | OUTER CHAIN GUARD        | 1   |
| 55                   | ANTI-SLIPPERY RUBBER PAD | 1   |
| 59                   | PHILLIPS SCREW           | 2   |
| 60                   | WASHER                   | 5   |

| NO.              | DESCRIPTION       | QTY |
|------------------|-------------------|-----|
| 61               | PHILLIPS SCREW    | 4   |
| 62               | WASHER            | 4   |
| PEDAL SET (A-12) |                   |     |
| 58R              | RIGHT PEDAL ( R ) | 1   |
| 58L              | LEFT PEDAL ( L )  | 1   |





# INDOOR-FAHRRAD NUTZUNG



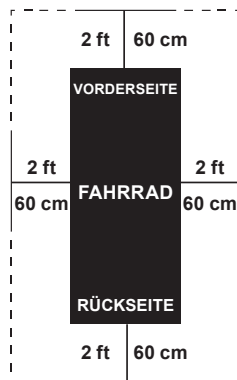


GR3  
GR5  
GR6

## DAS INDOOR-FAHRRAD BEWEGEN

Aufgrund seines Gewichtes sollte das Indoor-Fahrrad von zwei Personen bewegt werden. Während eine Person die Rückseite des Indoor-Fahrrads hebt, hält die zweite Person den Lenker fest und kippt das Indoor-Fahrrad nach vorne, bis es auf den Rädern rollt. Bewegen Sie das Indoor-Fahrrad vorsichtig an den gewünschten Ort und senken Sie es ab.

Wenn das Indoor-Fahrrad nach dem Abstellen auf dem Boden kippelt, drehen Sie die Nivellierfüße unter dem vorderen oder dem hinteren Stabilisator, bis die Kippbewegung beseitigt ist.

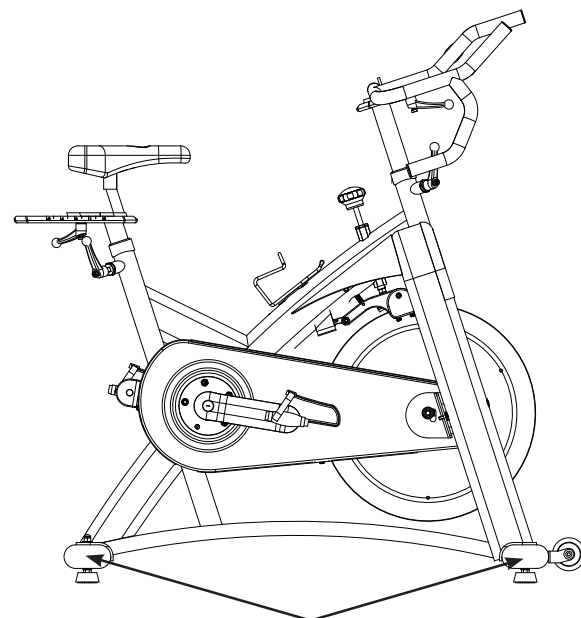


## AUFSTELLORT DES INDOOR-FAHRRADS

Stellen Sie das Indoor-Fahrrad auf ebenem Untergrund auf. Auf jeder Seite des Indoor-Fahrrads sollten 60 cm Platz sein. Stellen Sie das Fahrrad so auf, dass keine Lüftungsöffnungen blockiert werden. Das Indoor-Fahrrad darf nicht in Garagen, auf überdachten Terrassen, in der Nähe von Gewässern oder im Freien aufgestellt werden.

## ! WARNUNG

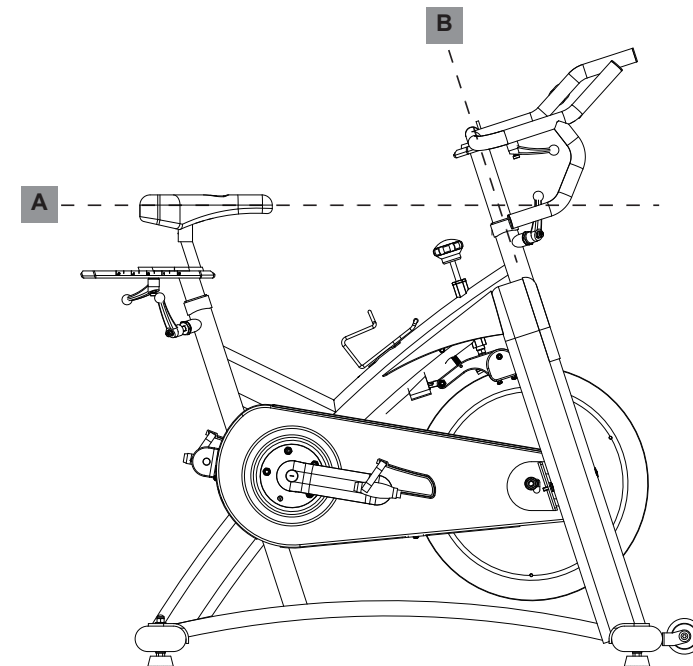
Um das Verletzungsrisiko zu verringern, sollten Sie beim Bewegen des Indoor-Fahrrads äußerste Vorsicht walten lassen. Versuchen Sie nicht, das Gerät über unebene Oberflächen zu bewegen und stellen Sie sicher, dass der empfohlene Sicherheitsabstand von mindestens 50 cm zum nächsten Gerät eingehalten wird.



Nivellierfüße  
(GR6 DARGESTELLT)

## SO STELLEN SIE DAS INDOOR-FAHRRAD EIN

Der Indoor-Fahrrad kann für maximalen Komfort und optimale Bewegungseffektivität eingestellt werden. Die folgenden Anweisungen beschreiben einen Ansatz zum Einstellen des Indoor-Fahrrads, um einen optimalen Benutzerkomfort und eine ideale Körperposition zu gewährleisten. Sie können das Indoor-Fahrrad auch anders einstellen.



(GR6 DARGESTELLT)

## SATTELEINSTELLUNG

Die richtige Sattelhöhe sorgt für maximale Übungseffizienz und optimalen Komfort und reduziert das Verletzungsrisiko. Stellen Sie die Sattelhöhe in der optimalen Position ein. Idealerweise bleibt Ihr Knie leicht gebeugt während Ihre Beine in der ausgestreckten Position sind.

## EINSTELLEN DES LENKERS

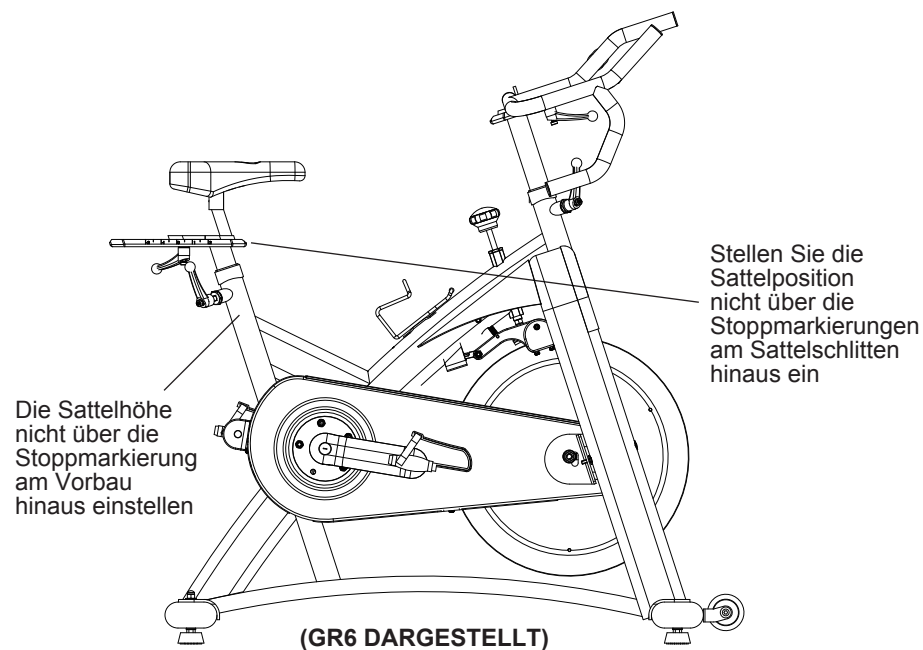
Die richtige Lenkerposition basiert hauptsächlich auf Komfort. Normalerweise sollte der Lenker für Radfahrer auf Einsteigniveau etwas höher als der Sattel positioniert werden. Fortgeschrittene Radfahrer können verschiedene Höhen ausprobieren, um die für Sie am besten geeignete Einstellung zu finden.



GR3  
GR5  
GR6



GR3  
GR5  
GR6



### ZUM EINSTELLEN DER SATTELHÖHE:

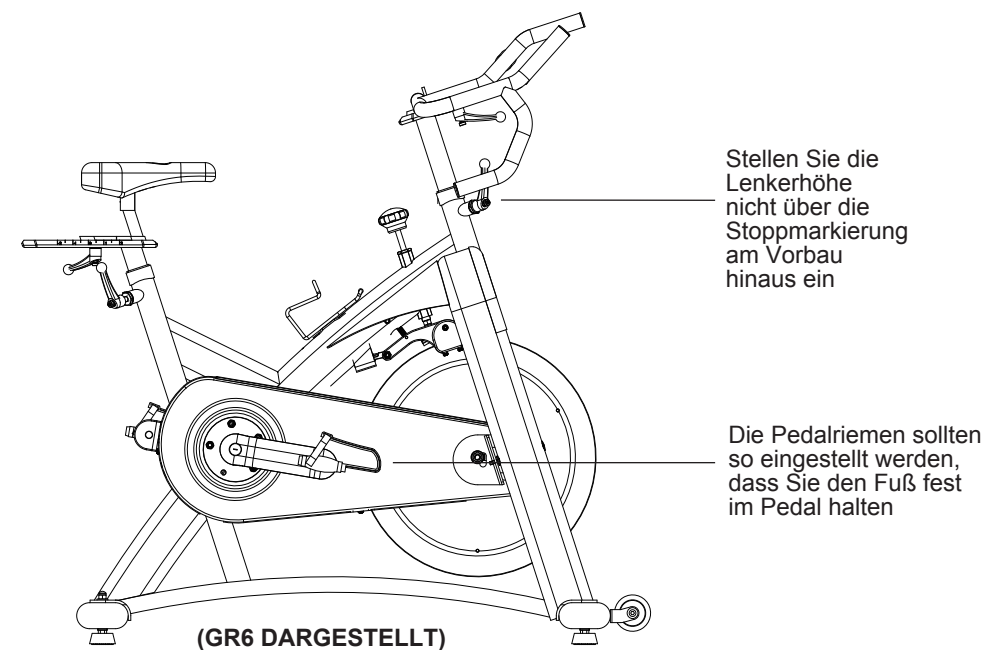
Drehen Sie den Einstellhebel gegen den Uhrzeigersinn und stellen Sie den Sattel in einer bequemen Pedalstellung ein. Drehen Sie den Hebel im Uhrzeigersinn, um die Sattelposition zu arretieren.

### ZUM EINSTELLEN DER HORIZONTALEN SATTELPOSITION:

Drehen Sie den Einstellhebel gegen den Uhrzeigersinn, um den Sattel nach Wunsch vor- oder zurückzubewegen. Drehen Sie den Hebel im Uhrzeigersinn, um die Sattelposition zu arretieren. Testen Sie den Sattelschlitten auf ordnungsgemäße Funktion.



GR3  
GR5  
GR6



### ZUM EINSTELLEN DER LENKERHÖHE:

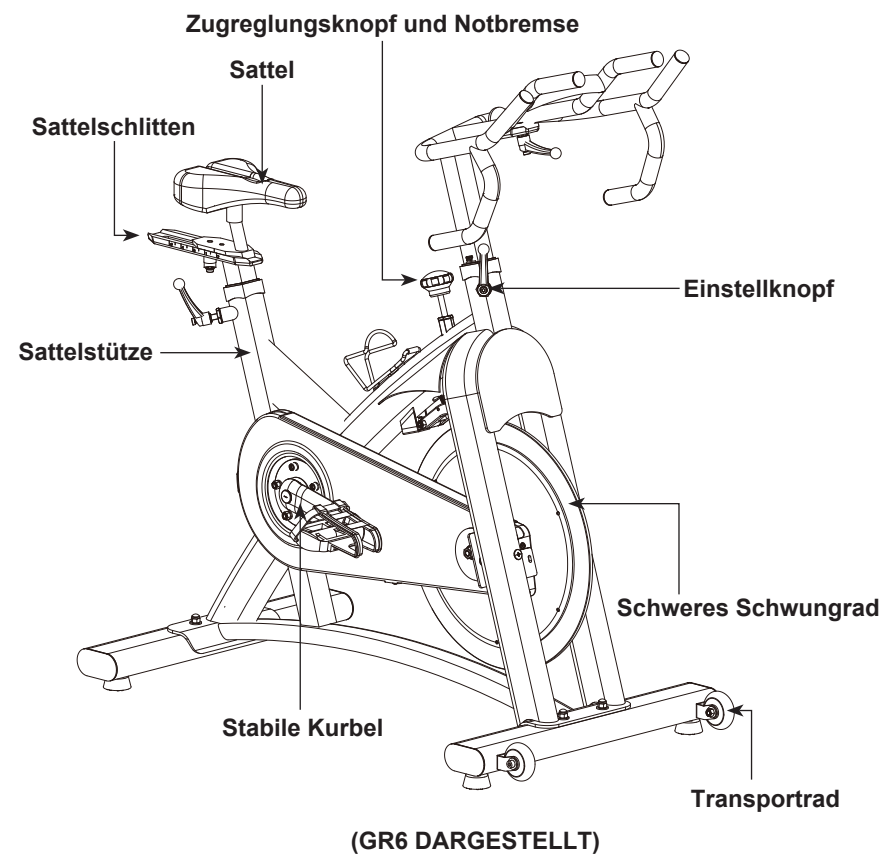
Drehen Sie den Einstellhebel gegen den Uhrzeigersinn, um die Höhe des Lenkers einzustellen. Heben oder senken Sie den Lenker auf die gewünschte Höhe. Drehen Sie den Hebel im Uhrzeigersinn, um die Lenkerposition zu arretieren.

### ZUM EINSTELLEN DER PEDALRIEMEN:

Setzen Sie die Füße so auf die Pedale und in die Pedalhaken, dass die Knöchel mittig über der Pedalachse positioniert sind (Pedalmitte). Drehen Sie einen Fuß in Armreichweite und ziehen Sie den Riemen des Pedalhakens nach oben. Wiederholen Sie den Vorgang für den anderen Fuß. Halten Sie Ihre Knie beim Treten der Pedale über Ihren Füßen. Lösen Sie den Riemen und ziehen Sie ihn heraus, um Ihren Fuß vom Pedalhaken zu lösen.



## MODELLINFORMATIONEN



## HAUPTTEILE UMFASSEN:

- 1 Hauptrahmen
- Stabilisator vorne und hinten
- Lenkerstangenset (nur GR6)
- Sattelstützenset
- Pedalset

## MITGELIEFERTE TEILE:

- 1 Teilebox
- 1 Bedienungsanleitung

## VORMONTAGE

### AUSPACKEN

Aufgrund seines Gewichtes **sollte das Indoor-Fahrrad von zwei Personen montiert werden**. Stellen Sie den Indoor-Fahrrad in einem freien Bereich und entfernen Sie alle Verpackungsmaterialien. Entsorgen Sie das Verpackungsmaterial erst, wenn die Montage abgeschlossen ist.

HINWEIS: Achten Sie während jedem Aufbauschnitt darauf, dass **ALLE** Muttern und Schrauben leicht angezogen werden, bevor **EINE** fest angezogen wird.

HINWEIS: Wir empfehlen Ihnen, beim Aufbau die Schraubengewinde mit ein bisschen Schmierfett einzuschmieren. Dazu eignet sich jede Art von Schmierfett, wie z.B. Fahrradschmierfett.

### BRAUCHEN SIE HILFE?

Wenn Sie Fragen haben oder Teile fehlen, wenden Sie sich an Ihren Händler vor Ort. Kontaktinformationen finden Sie auf der Rückseite dieses Handbuchs oder auf der Garantiekarte.



GR6  
ABGEBILDET

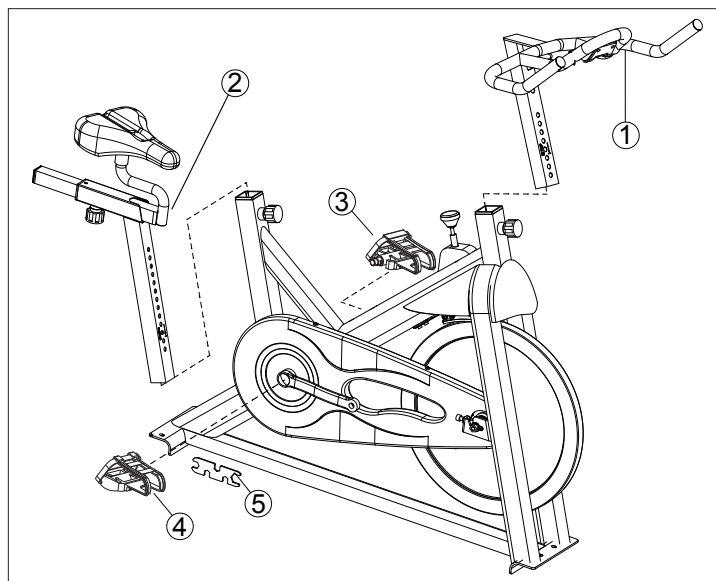


GR3  
GR5  
GR6

## GR3 MONTAGE SCHRITT 1

### TEILE FÜR SCHRITT 1:

| NR. | BESCHREIBUNG   | MENGE |
|-----|----------------|-------|
| 1   | LENKER         | 1     |
| 2   | SATTELSTÜTZE   | 1     |
| 3   | LINKES PEDAL   | 1     |
| 4   | RECHTES PEDAL  | 1     |
| 5   | KOMBISCHLÜSSEL | 1     |

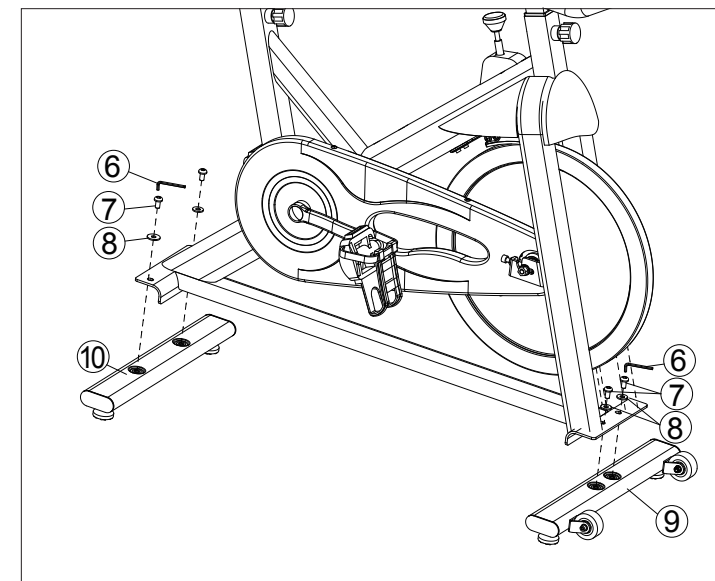


- A Den **LENKER (1)** in der Aufnahme am Rahmen montieren und mit dem Knopf sichern.
- B Die **SATTELSTÜTZE (2)** in der Aufnahme am Rahmen montieren und mit dem Knopf sichern.
- C Das **LINKE PEDAL (3)** mit dem „L“ auf der Achse an der linken Tretkurbel des Fahrrads mit dem **KOMBISCHLÜSSEL (5)** festziehen. Bitte beachten Sie, dass das L-Pedal ein Linksgewinde hat, das zum Festziehen gegen den Uhrzeigersinn gedreht werden muss.
- D Das **RECHTE PEDAL (4)** mit dem „R“ auf der Achse an der rechten Tretkurbel des Fahrrads mit dem **KOMBISCHLÜSSEL (5)** festziehen. Bitte beachten Sie, dass das R-Pedal ein Rechtsgewinde hat, das zum Anziehen im Uhrzeigersinn gedreht werden muss.

## GR3 MONTAGE SCHRITT 2

### TEILE FÜR SCHRITT 2:

| NR. | BESCHREIBUNG              | MENGE |
|-----|---------------------------|-------|
| 6   | INBUSSCHLÜSSEL            | 1     |
| 7   | INBUSSCHRAUBEN (M8 X 16L) | 8     |
| 8   | UNTERLEGSCHIEBEN          | 8     |
| 9   | STABILISATOR VORNE        | 1     |
| 10  | STABILISATOR HINTEN       | 1     |



- A Den **VORDEREN STABILISATOR (9)** mit zwei **INBUSSCHRAUBEN (7)** und 2 **UNTERLEGSCHIEBEN (8)** am Rahmen befestigen und mit dem **INBUSSCHLÜSSEL (6)** sichern.
- B Den **HINTEREN STABILISATOR (10)** mit zwei **INBUSSCHRAUBEN (7)** und zwei **UNTERLEGSCHIEBEN (8)** befestigen und mit dem **INBUSSCHLÜSSEL (6)** fest anziehen.



GR3

DEUTSCH

44



GR3

DEUTSCH

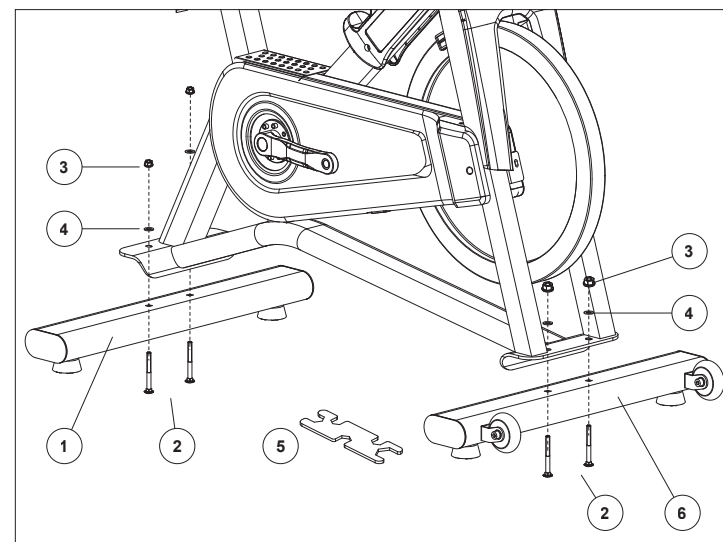
45

## GR5 MONTAGE SCHRITT 1



GR5

| TEILE FÜR SCHRITT 1: |                     |       |
|----------------------|---------------------|-------|
| NR.                  | BESCHREIBUNG        | MENGE |
| 1                    | STABILISATOR HINTEN | 1     |
| 2                    | SCHRAUBEN           | 4     |
| 3                    | MUTTERN             | 4     |
| 4                    | UNTERLEGSSCHEIBEN   | 4     |
| 5                    | SCHLÜSSEL           | 1     |
| 6                    | STABILISATOR VORNE  | 1     |



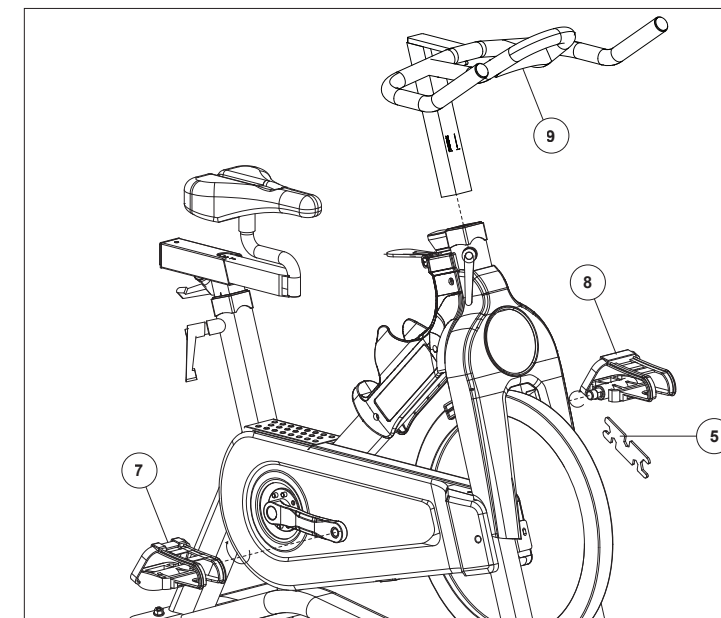
- A Den **HINTEREN STABILISATOR (1)** mit zwei **MUTTERN (3)**, zwei **UNTERLEGSSCHEIBEN (4)** und zwei **SCHRAUBEN (2)** am Rahmen befestigen und mit dem verstellbaren **SCHRAUBENSCHLÜSSEL (5)** fest anziehen.
- B Den **VORDEREN-STABILISATOR (6)** mit zwei **MUTTERN (3)**, zwei **UNTERLEGSSCHEIBEN (4)** und zwei **SCHRAUBEN (2)**, befestigen und mit dem verstellbaren **SCHRAUBENSCHLÜSSEL (5)** fest anziehen.

## GR5 MONTAGE SCHRITT 2



GR5

| TEILE FÜR SCHRITT 2: |               |       |
|----------------------|---------------|-------|
| NR.                  | BESCHREIBUNG  | MENGE |
| 5                    | SCHLÜSSEL     | 1     |
| 7                    | RECHTES PEDAL | 1     |
| 8                    | LINKES PEDAL  | 1     |
| 9                    | LENKER        | 1     |



- A Das **LINKE PEDAL (8)** mit dem „L“ auf der Achse an der linken Tretkurbel des Fahrrads mit dem verstellbaren **SCHRAUBENSCHLÜSSEL (5)** festziehen. Bitte beachten Sie, dass das L-Pedal ein Linksgewinde hat, das zum Festziehen **gegen den Uhrzeigersinn** gedreht werden muss.
- B Das **RECHTE PEDAL (7)** mit dem „R“ auf der Achse an der rechten Tretkurbel des Fahrrads mit dem **KOMBISCHLÜSSEL (5)** festziehen. Bitte beachten Sie, dass das R-Pedal ein Rechtsgewinde hat, das zum Anziehen im **Uhrzeigersinn** gedreht werden muss.
- C Den **LENKER (9)** in der Aufnahme im Rahmen montieren und mit dem Schnellverschluss sichern.



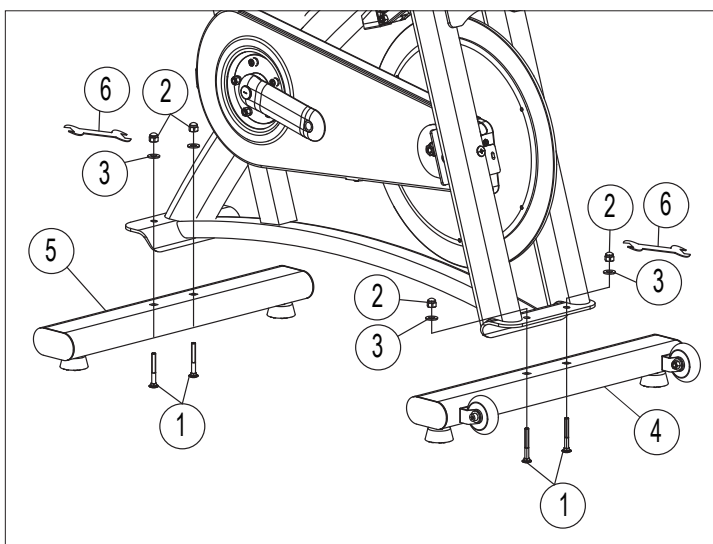
## GR6 MONTAGE SCHRITT 1



GR6

| TEILE FÜR SCHRITT 1: |                        |       |
|----------------------|------------------------|-------|
| NR.                  | BESCHREIBUNG           | MENGE |
| 1                    | SCHRAUBEN              | 4     |
| 2                    | MUTTERN                | 4     |
| 3                    | UNTERLEGSSCHEIBEN (M8) | 4     |
| 4                    | STABILISATOR VORNE     | 1     |
| 5                    | STABILISATOR HINTEN    | 1     |
| 6                    | SCHLÜSSEL              | 1     |

- A Den **VORDEREN STABILISATOR (4)** und den **HINTEREN STABILISATOR (5)** mit vier **SCHRAUBEN (1)** und vier **UNTERLEGSSCHEIBEN (3)** und vier **MUTTERN (2)** befestigen und mit dem **SCHRAUBENSCHLÜSSEL (6)** fest anziehen.



DEUTSCH

48

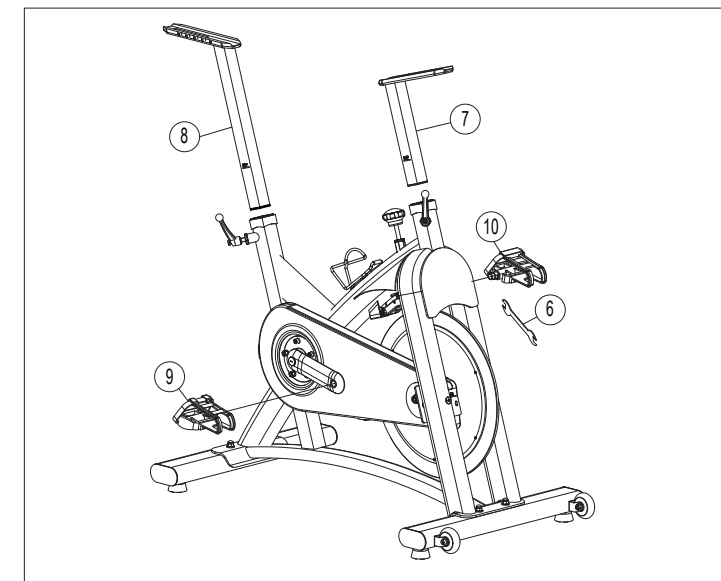
## GR6 MONTAGE SCHRITT 2



GR6

| TEILE FÜR SCHRITT 2: |               |       |
|----------------------|---------------|-------|
| NR.                  | BESCHREIBUNG  | MENGE |
| 6                    | SCHLÜSSEL     | 1     |
| 7                    | LENKERVORBAU  | 1     |
| 8                    | SATTELSTÜTZE  | 1     |
| 9                    | RECHTES PEDAL | 1     |
| 10                   | LINKES PEDAL  | 1     |

- A Das **LINKE PEDAL (10)** mit dem „L“ auf der Achse an der linken Tretkurbel des Fahrrads mit dem **SCHRAUBENSCHLÜSSEL (6)** festziehen. Bitte beachten Sie, dass das L-Pedal ein Linksgewinde hat, das zum Festziehen gegen den Uhrzeigersinn gedreht werden muss.
- B Das **RECHTE PEDAL (9)** mit dem „R“ auf der Achse an der rechten Tretkurbel des Fahrrads mit dem **SCHRAUBENSCHLÜSSEL (6)** festziehen. Bitte beachten Sie, dass das R-Pedal ein Rechtsgewinde hat, das zum Anziehen im Uhrzeigersinn gedreht werden muss.
- C Die **LENKERSTANGE (7)** in der Aufnahme im Rahmen montieren und mit dem Schnellverschluss sichern.
- D Die **SATTELSTÜTZE (8)** in der Aufnahme im Rahmen montieren und mit dem Schnellverschluss sichern.



DEUTSCH

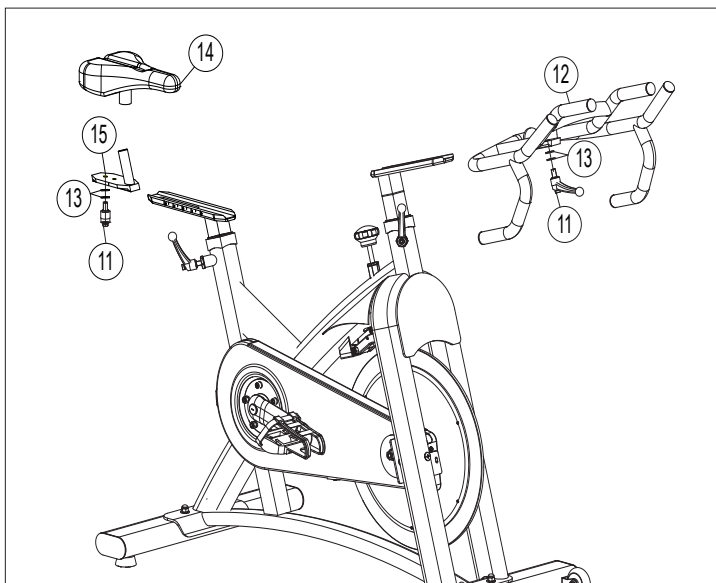
49

## GR6 MONTAGE SCHRITT 3



GR6

| TEILE FÜR SCHRITT 3: |                         |       |
|----------------------|-------------------------|-------|
| NR.                  | BESCHREIBUNG            | MENGE |
| 11                   | SCHNELLSPANNER          | 2     |
| 12                   | LENKER                  | 1     |
| 13                   | UNTERLEGSSCHEIBEN (M10) | 4     |
| 14                   | SATTEL                  | 1     |
| 15                   | SATTELSCHLITTEN         | 1     |



- A Den **LENKER (12)** in der Vorbauaufnahme im Rahmen mit zwei **UNTERLEGSSCHEIBEN (13)** montieren und mit dem **SCHNELLSPANNER (11)** sichern.
- B Den **SATTEL (14)** in der Aufnahme für den **SATTELSCHLITTEN (15)** montieren und mit dem Schraubenschlüssel sichern.
- C Den **SATTELSCHLITTEN (15)** mit zwei **UNTERLEGSSCHEIBEN (8)** an der **SATTELSTÜTZE (13)** befestigen und mit dem **SCHNELLSPANNER (11)** sichern.

# FEHLERBEHEBUNG UND WARTUNG



DEUTSCH

50

DEUTSCH



## HÄUFIGE FRAGEN ZUM PRODUKT

### SIND DIE GERÄUSCHE, DIE MEIN INDOOR-FAHRRAD MACHT, NORMAL?

Unsere Indoor-Fahrräder gehören zu den leisesten am Markt, da Sie über Riemenantriebe und Kipphebelbremsen verfügen. Zur Geräuschminimierung verwenden wir Kugellager und Ketten/Riemen höchster Qualität. Da die Geräusche des Widerstandssystems jedoch so leise sind, können Sie gelegentlich andere leichte mechanische Geräusche hören. Im Gegensatz zu älteren, lauterer Technologien gibt es bei unseren Indoor-Fahrrädern keine Lüfter-, Reibungsriemen- oder Generatorgeräusche, die diese Geräusche übertönen würden. Diese zeitweise auftretenden mechanischen Geräusche werden durch die Übertragung beträchtlicher Energiemengen auf ein sich schnell drehendes Schwungrad erzeugt und sind normal. Alle Lager, Ketten/Riemen und anderen sich drehenden Teile erzeugen Geräusche, die durch das Gehäuse und den Rahmen übertragen werden. Es ist auch normal, dass sich der Klang dieser Geräusche aufgrund der Wärmeausdehnung der Teile während des Trainings und mit der Zeit leicht verändert.

### WARUM IST DAS GELIEFERTE INDOOR-FAHRRAD LAUTER ALS DAS IM LADEN?

Alle Fitnessgeräte wirken in einem großen Vorführraum eines Geschäfts leiser, da in der Regel mehr Hintergrundgeräusche vorhanden sind als bei Ihnen zu Hause. Zudem ist der Nachhall auf einem Betonboden mit Teppichbelag geringer als auf hölzernem Bodenbelag. In bestimmten Fällen ermöglicht eine schwere Gummimatte die Reduzierung von Nachhall über den Boden. Wird ein Fitnessgerät nahe an einer Wand aufgestellt, werden mehr Geräusche reflektiert.

### WIE LANGE HÄLT DER RIEMEN?

Eine Computersimulation ergab mehrere Tausend wartungsfreie Stunden. Es sollte, solange Sie das Indoor-Fahrrad besitzen, nicht nötig sein, den Riemen auszutauschen.

### KANN ICH DAS INDOOR-FAHRRAD LEICHT BEWEGEN, SOBALD ES MONTIERT IST?

Ihr Indoor-Fahrrad verfügt über zwei Transporträder im vorderen Stabilisatorrohr. Bitte befolgen Sie zum Transportieren Ihres Indoor-Fahrrads die Anweisungen im Abschnitt „Das Indoor-Fahrrad bewegen“. Es ist wichtig, dass Sie Ihr Indoor-Fahrrad in einem behaglichen und einladenden Raum aufstellen. Ihr Indoor-Fahrrad ist für minimalen Raumbedarf konzipiert. Oftmals wird das Indoor-Fahrrad gegenüber einem Fernsehgerät oder einem Panoramafenster aufgestellt. Stellen Sie das Indoor-Fahrrad möglichst nicht in einem unfertigen Kellerraum auf. Um Ihr Training zu einer täglich wünschenswerten Aktivität zu machen, stellen Sie das Indoor-Fahrrad in einem behaglichen Raum auf.

## FEHLERSUCHE

**PROBLEM:** Das Indoor-Fahrrad erzeugt ein quietschendes oder piependes Geräusch.

**LÖSUNG:** Überprüfen Sie Folgendes:

- Das Indoor-Fahrrad steht auf einer ebenen Oberfläche.
- Lösen Sie alle während der Montage befestigten Schraubbolzen, schmieren Sie die Gewinde und befestigen Sie die Schraubbolzen wieder.

Wenn dies das Problem nicht behebt, können Sie

**KONTAKTIEREN SIE DEN TECHNISCHEN KUNDEN-SUPPORT UNTER DER NUMMER AUF DER INFORMATIONSKARTE.**

Sie werden bei einem Anruf beim Händler möglicherweise nach den folgenden Informationen gefragt. Bitte halten Sie diese Informationen sofort bereit:

- Modellname
- Seriennummer
- Kaufbeleg

Weitere Vorschläge zur Problembehandlung finden Sie im Abschnitt Kundenbetreuung auf unserer Website. Nutzen Sie die Kontaktinformationen auf der INFORMATIONSKARTE, um den Kundendienst zu kontaktieren.

Damit der technische Kunden-Support Servicearbeiten an Ihrem Indoor-Fahrrad durchführen kann, werden Ihnen möglicherweise detaillierte Fragen zu den auftretenden Symptomen gestellt. Nachfolgend sind einige der Fragen aufgeführt, die im Rahmen der Fehlersuche gestellt werden können:

- Wie lange tritt dieses Problem bereits auf?
- Tritt das Problem bei jeder Benutzung auf? Bei jedem Benutzer?
- Wenn Sie Geräusche wahrnehmen, kommen diese von der Vorder- oder Rückseite? Was für eine Art von Geräusch ist es (Klopfen, Schleifen, Quietschen, Zirpen usw.)?
- Wurde das Gerät gemäß Wartungsplan geschmiert und gewartet?

Durch Beantwortung dieser und weiterer Fragen, ermöglichen Sie den Technikern, Ihnen den erforderlichen Service zu bieten und korrekten Ersatzteile zuzusenden, um Sie und Ihr Indoor-Fahrrad wieder in Schwung zu bringen!





## WARTUNG

Das auf dem Design des Indoor-Fahrrads basierende Sicherheitsniveau kann nur aufrechterhalten werden, wenn das Gerät regelmäßig auf Beschädigung und Verschleiß untersucht wird. Funktionsuntaugliche Komponenten sollten ersetzt werden oder das Gerät sollte bis zur Reparatur außer Betrieb genommen werden.

### TÄGLICH

- Wischen Sie das Indoor-Fahrrad nach jedem Gebrauch ab, um Schweiß und Feuchtigkeit zu entfernen. Verwenden Sie Seife und Wasser oder eine verdünnte, nicht scheuernde Haushaltsreinigerlösung. Spülen, um Reinigungsmittelreste zu entfernen und dann abtrocknen.
- Prüfen Sie vor jeder Verwendung auf lose Komponenten wie Pedale oder Kurbeln. Ziehen Sie alle losen Teile fest.

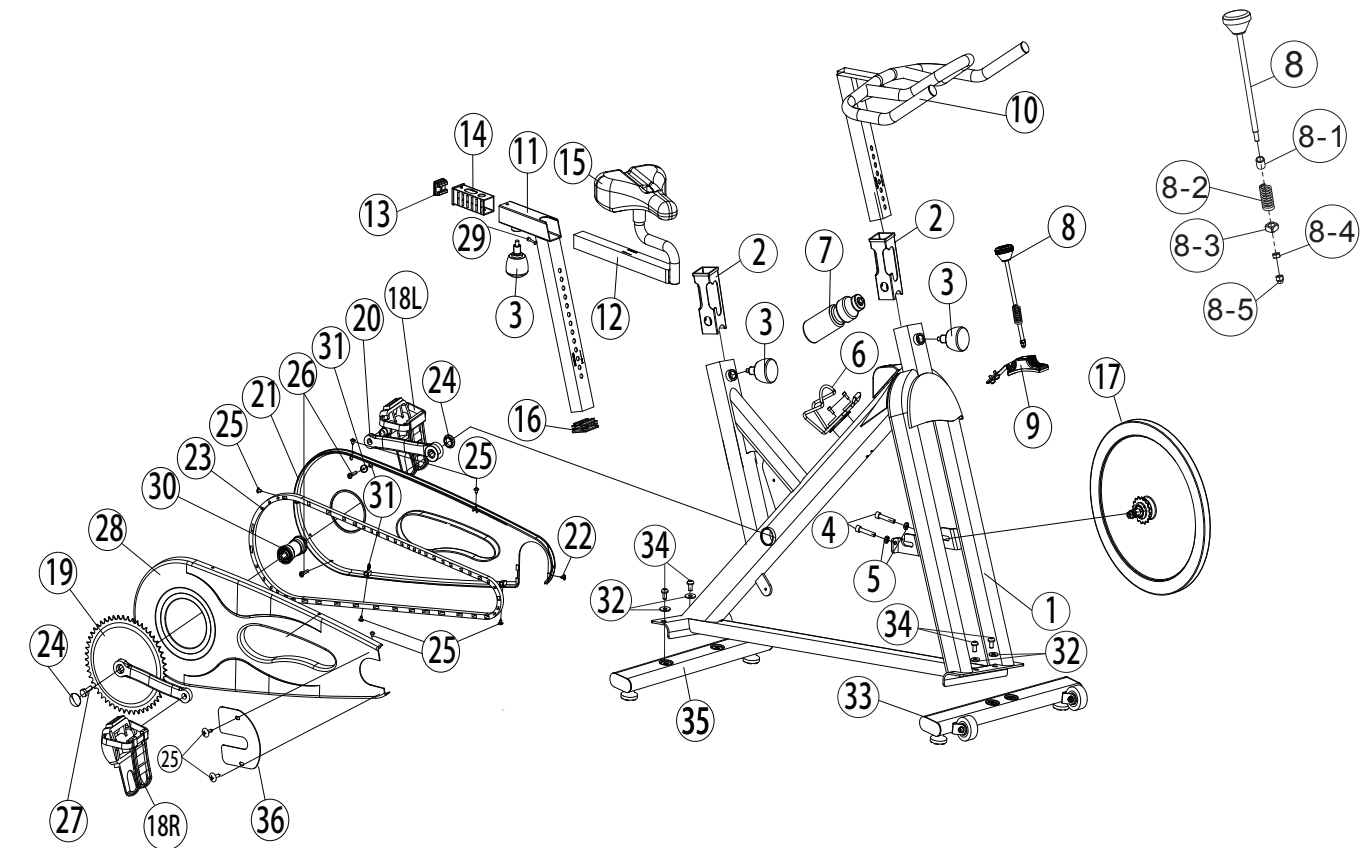
### WÖCHENTLICH

- Auf korrekte Schwungradausrichtung prüfen. Schwungradmuttern gegebenenfalls anziehen.
- Kettenschutz entfernen und auf lose Kette prüfen. Justieren und schmieren Sie die Kette nach Bedarf.
- Vergewissern Sie sich, dass die Kurbelarme fest am Tretlager sitzen.
- Überprüfen Sie alle Teile, Muttern, Schrauben oder Schrauben auf Einstellungen, Austausch oder Wartung.

### MONATLICH

- Untersuchen Sie den Rahmen und die Komponenten der Hauptbaugruppe auf Rost oder Korrosion. Das Fahrrad ankippen oder auf den Kopf stellen, um Bereiche zu lokalisieren, in denen sich Rost und Korrosion bilden können. Verwenden Sie eine kleine Drahtbürste, um Rostablagerungen in kleinen Spalten wie Stellfüßen, Schnellspannhebeln und anderen Schrauben zu entfernen.
- Alle Verschleißteile auf Einstellungen oder möglichen Teileaustausch prüfen. Achten Sie besonders auf Folgendes:
  - A) Bremsbelag auf Verschleiß prüfen. Übermäßige Abnutzung oder Trockenheit zeigt an, dass ein Ersatz erforderlich ist.
  - B) Das Sitzpolster auf Verschleiß prüfen. Schlitzte, Risse oder übermäßiges Spiel zeigen an, dass ein Ersatz erforderlich ist.
  - C) Die Pedale auf Spiel prüfen. Übermäßiges Spiel der Pedale zeigt an, dass ein Austausch erforderlich ist.
- Überprüfen Sie die Kette auf Spannung, indem Sie die Kurbel drehen, um das Schwungrad vorwärts zu bewegen. Führen Sie diese Bewegung in 1/4 Umdrehungen durch, um festzustellen, ob es zwischen Kurbel und Schwungrad Spiel gibt.
- Trockenheit oder längerer Gebrauch können dazu führen, dass die Einstellmöglichkeiten für Höhe und Griffweite von Sitz und Lenker zu eng sitzen. Wenn dies der Fall ist, sollte die gleitende Einheit vom Rahmen entfernt und vor der Montage ein Schmiermittelfleck auf die Gleitfläche aufgetragen werden. In ähnlicher Weise etwas leichtes Fett auf die Klemmvorrichtung auftragen, um sicherzustellen, dass sie nicht festsitzt. Überschüssiges Fett vor der Montage entfernen.
- Bitte schmieren Sie Sattelstützen-, Bremsbelag- und Lenkereinstellung regelmäßig mit dem Schmiermittel aus Ihrer Teileverpackung.

## GR3-EXPLOSIONSZEICHNUNG



## GR3-TEILELISTE

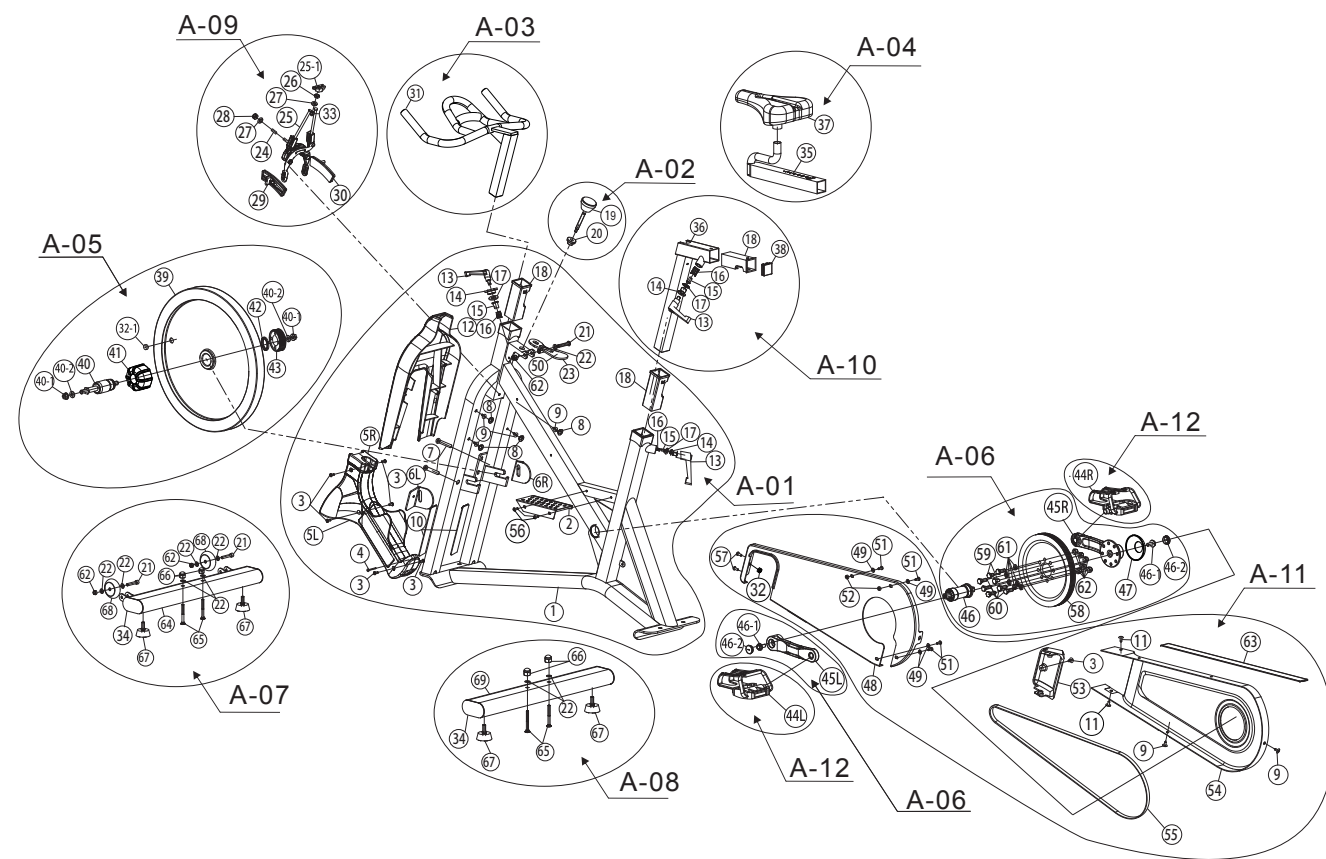
| NR.          | BESCHREIBUNG        | MENGE  |   |
|--------------|---------------------|--------|---|
| RAHMEN       |                     |        |   |
| 1            | RAHMEN              | 1      |   |
| 2            | HÜLSE               | 2      |   |
| 3            | EINSTELLBARER KNOPF | 3      |   |
| 4            | INBUSSCHRAUBE       | 2      |   |
| 5            | INBUSMUTTER         | 2      |   |
| 6            | FLASCHENHALTER      | 1      |   |
| 7            | WASSERFLASCHE       | 1      |   |
| BREMSE       |                     |        |   |
| 8            | ZUGREGELUNG         | 1      |   |
| 8-1          | ABSTANDSHALTER      | 1      |   |
| 8-2          | SCHRAUBDRUCKFEDER   | 1      |   |
| 8-3          | VIERKANTMUTTER      | Φ13*5T | 1 |
| 8-4          | INBUSMUTTER         | M6     | 1 |
| 8-5          | ÜBERWURFMUTTER      | M6     | 1 |
| 9            | BREMSBELAGBAUGRUPPE | 1      |   |
| LENKER       |                     |        |   |
| 10           | LENKER              | 1      |   |
| SATTELSTÜTZE |                     |        |   |
| 11           | SATTELSTÜTZE        | 1      |   |

| NR.         | BESCHREIBUNG                         | MENGE |
|-------------|--------------------------------------|-------|
| 12          | SATTELSCHLITTEN                      | 1     |
| 13          | ENDKAPPE                             | 1     |
| 14          | HÜLSE                                | 1     |
| 15          | SATTEL                               | 1     |
| 16          | ENDKAPPE                             | 1     |
| SCHWUNGRAD  |                                      |       |
| 17          | SCHWUNGRADBAUGRUPPE                  | 1     |
| ÜBERSETZUNG |                                      |       |
| 18R         | PEDAL (R)                            | 1     |
| 18L         | PEDAL (L)                            | 1     |
| 19          | KETTENRAD - CP                       | 1     |
| 20          | KURBEL - CP                          | 1     |
| 21          | INNERER KETTENSCHUTZ                 | 1     |
| 22          | TREIBSCHRAUBE                        | 1     |
| 23          | KETTE                                | 1     |
| 24          | KURBELKAPPE                          | 2     |
| 25          | TREIBSCHRAUBE                        | 8     |
| 26          | TREIBSCHRAUBE                        | 2     |
| 27          | BB-SCHRAUBE                          | 2     |
| 28          | ÄUSSERER KETTENSCHUTZ OHNE AUFKLEBER | 1     |

| NR.                 | BESCHREIBUNG               | MENGE |
|---------------------|----------------------------|-------|
| 29                  | INBUSSCHRAUBE              | 1     |
| 30                  | UNTERE HALTERUNG           | 1     |
| 31                  | KETTENSCHUTZ-ABSTANDHALTER | 6     |
| STABILISATOR VORNE  |                            |       |
| 32                  | UNTERLEGSCHLEIBE           | 4     |
| 33                  | STABILISATOR VORNE         | 1     |
| 34                  | INBUSSCHRAUBE              | 4     |
| STABILISATOR HINTEN |                            |       |
| 35                  | STABILISATOR HINTEN        | 1     |
| 36                  | KETTENSCHUTZABDECKUNG      | 1     |



## GR5-EXPLOSIONSZEICHNUNG



## GR5-TEILELISTE

| NR.                    | BESCHREIBUNG                 | MENGE |
|------------------------|------------------------------|-------|
| RAHMENBAUGRUPPE (A-01) |                              |       |
| 1                      | RAHMEN                       | 1     |
| 2                      | EDELSTAHLPLATTE              | 1     |
| 3                      | KREUZSCHLITZSCHRAUBE         | 6     |
| 4                      | TREIBSCHRAUBE                | 1     |
| 5L                     | SCHWEISSSCHUTZ (L)           | 1     |
| 5R                     | SCHWEISSSCHUTZ (R)           | 1     |
| 6L                     | SCHWUNGRAD-AUSFALLPLATTE (L) | 1     |
| 6R                     | SCHWUNGRAD-AUSFALLPLATTE (R) | 1     |
| 7                      | INBUSSCHRAUBE                | 2     |
| 8                      | ENDKAPPE                     | 4     |
| 9                      | TREIBSCHRAUBE                | 4     |
| 10                     | ANTI-RUTSCH-GUMMIAUFLAGE     | 2     |
| 12                     | DEKORATIVE FRONTABDECKUNG    | 1     |
| 13                     | SCHNELLSPANNER               | 2     |
| 14                     | SCHNELLSPANNMUTTER           | 2     |
| 15                     | SCHNELLSPANNAUFNAHME         | 2     |
| 16                     | SCHNELLSPANNFEDER            | 2     |
| 17                     | UNTERLEGSCHIBE               | 2     |
| 18                     | HÜLSE                        | 2     |

| NR.                             | BESCHREIBUNG           | MENGE       |   |
|---------------------------------|------------------------|-------------|---|
| 21                              | INBUSSCHRAUBE          | 1           |   |
| 22                              | UNTERLEGSCHIBE         | 1           |   |
| 23                              | NOTFALL-HEBEL          | 1           |   |
| 50                              | AUFKLEBER NOTFALLHEBEL | 1           |   |
| 56                              | TREIBSCHRAUBE          | 2           |   |
| 62                              | KLEMMMUTTER            | 1           |   |
| ZUGREGELUNGSKNOPFSET (A-02)     |                        |             |   |
| 19                              | ZUGREGELUNGSKNOPF      | 1           |   |
| 20                              | ABSTANDSHALTER         | 1           |   |
| LENKERSET (A-03)                |                        |             |   |
| 31                              | LENKER                 | 1           |   |
| EINSTELLSET SATTELSTÜTZE (A-04) |                        |             |   |
| 35                              | SATTELSCHLITTEN        | 1           |   |
| 37                              | SATTEL                 | 1           |   |
| SCHWUNGRADBAUGRUPPE (A-05)      |                        |             |   |
| 32-1                            | MAGNET                 | 1           |   |
| 39                              | SCHWUNGRAD             | 1           |   |
| 40                              | NABENSET               | 1           |   |
| 40-1                            | FLANSCHMUTTER          | 2           |   |
| 40-2                            | UNTERLEGSCHIBE         | Φ10*Φ21*2,0 | 2 |



| NR.                                    | BESCHREIBUNG           | MENGE |
|--|------------------------|-------|
| 41                                     | NABENABDECKUNG         | 1     |
| 42                                     | VERRIEGELUNGSRING      | 1     |
| 43                                     | KLEINE ROLLE           | 1     |
| -                                      | SCHWUNGRAD-AUFKLEBER   | 2     |
| KURBELACHSENSET (A-06)                 |                        |       |
| 45L                                    | KURBEL (L)             | 1     |
| 45R                                    | KURBEL (R)             | 1     |
| 46                                     | UNTERE HALTERUNG       | 1     |
| 46-1                                   | BB-MUTTER M10*1,5      | 2     |
| 46-2                                   | KURBELKAPPE            | 2     |
| 47                                     | FLANSCHSCHRAUBENKAPPE  | 1     |
| 58                                     | GROSSE ROLLE           | 1     |
| 59                                     | INBUSSCHRAUBE          | 2     |
| 60                                     | INBUSSCHRAUBE          | 6     |
| 61                                     | FEDERSCHEIBE           | 6     |
| 62                                     | KLEMMMUTTER            | 6     |
| BAUGRUPPE VORDERER STABILISATOR (A-07) |                        |       |
| 21                                     | INBUSSCHRAUBE          | 2     |
| 22                                     | UNTERLEGSCHLEIBE       | 6     |
| 34                                     | STABILISATOR-AUFKLEBER | 2     |

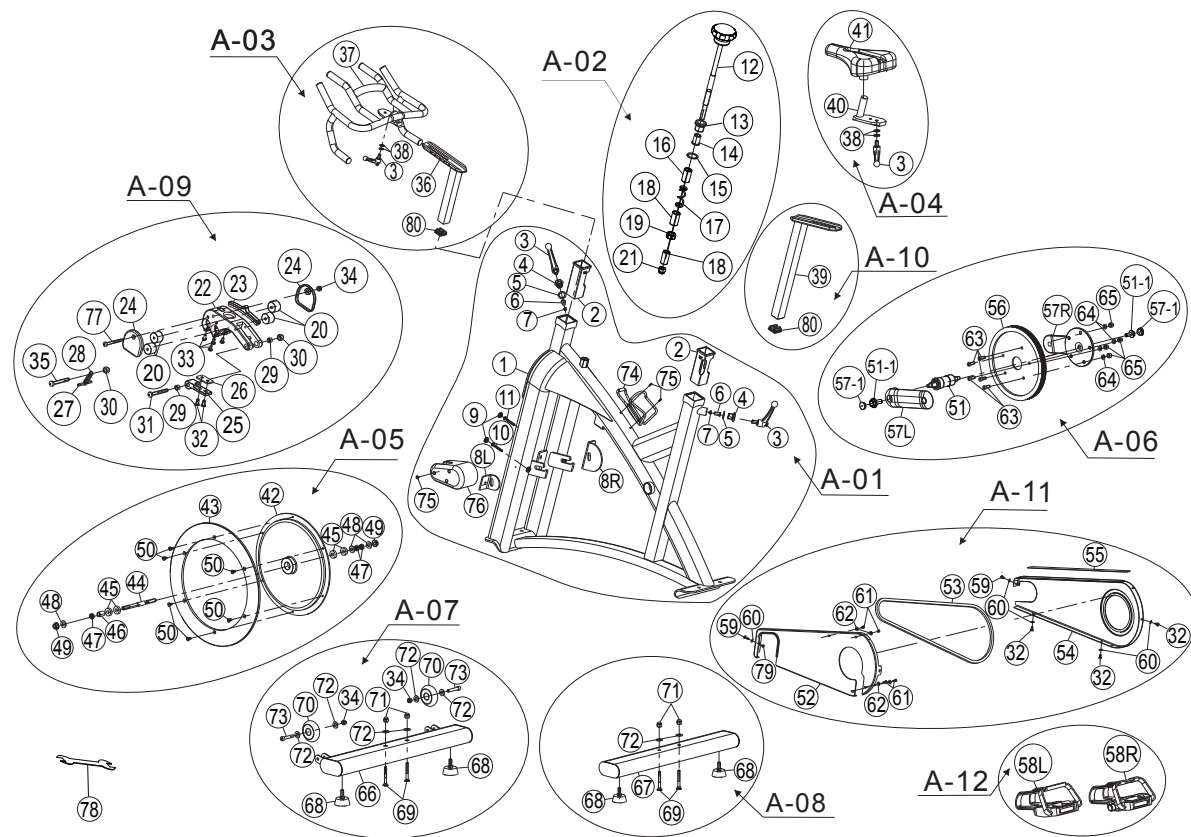
| NR.                                    | BESCHREIBUNG              | MENGE |
|--|---------------------------|-------|
| 62                                     | KLEMMMUTTER               | 2     |
| 64                                     | STABILISATOR VORNE        | 1     |
| 65                                     | TRAGESCHRAUBE             | 2     |
| 66                                     | ÜBERWURFMUTTER            | 2     |
| 67                                     | EINSTELLBARER HEBEL       | 2     |
| 68                                     | TRANSPORTRAD SCHWARZ      | 2     |
| BAUGRUPPE HINTERER STABILISATOR (A-08) |                           |       |
| 22                                     | UNTERLEGSCHLEIBE          | 2     |
| 34                                     | STABILISATOR-AUFKLEBER    | 2     |
| 65                                     | TRAGESCHRAUBE             | 2     |
| 66                                     | ÜBERWURFMUTTER            | 2     |
| 67                                     | EINSTELLBARER HEBEL       | 2     |
| 69                                     | STABILISATOR HINTEN       | 1     |
| BREMSBELAGBAUGRUPPE (A-09)             |                           |       |
| 24                                     | KABELDURCHFÜHRUNG AKUSTIK | 1     |
| 25                                     | BREMSSATTEL               | 1     |
| 25-1                                   | STOPPER                   | 1     |
| 26                                     | VIERKANTMUTTER            | 1     |
| 27                                     | UNTERLEGSCHLEIBE          | 2     |
| 28                                     | KLEMMMUTTER               | 1     |

| NR.                     | BESCHREIBUNG             | MENGE |
|-------------------------|--------------------------|-------|
| 29                      | BREMSBACKENSET (L)       | 1     |
| 30                      | BREMSBACKENSET (R)       | 1     |
| 33                      | KLEMMMUTTER              | 1     |
| SATTELSTÜTZENSET (A-10) |                          |       |
| 13                      | SCHNELLSPANNER           | 1     |
| 14                      | SCHNELLSPANNMUTTER       | 1     |
| 15                      | SCHNELLSPANNAUFNAHME     | 1     |
| 16                      | SCHNELLSPANNFEDER        | 1     |
| 17                      | UNTERLEGSCHLEIBE         | 1     |
| 18                      | HÜLSE                    | 1     |
| 36                      | TREIBSCHRAUBE            | 1     |
| 38                      | ANTI-RUTSCH-GUMMIAUFLAGE | 1     |
| ABDECKUNGSSET (A-11)    |                          |       |
| 3                       | KREUZSCHLITZSCHRAUBE     | 1     |
| 9                       | TREIBSCHRAUBE            | 2     |
| 11                      | TREIBSCHRAUBE            | 2     |
| 32                      | SECHSKANTMUTTER          | 1     |
| 48                      | INNERER KETTENSCHUTZ     | 1     |
| 49                      | UNTERLEGSCHLEIBE         | 4     |
| 51                      | KREUZSCHLITZSCHRAUBE     | 4     |

| NR.             | BESCHREIBUNG                  | MENGE |
|-----------------|-------------------------------|-------|
| 52              | KETTENSCHUTZ-ABSTANDHALTER    | 2     |
| 53              | VORDERER KETTENSCHUTZ SCHWARZ | 1     |
| 54              | ÄUSSERER KETTENSCHUTZ         | 1     |
| 55              | MATTE                         | 1     |
| 57              | KREUZSCHLITZSCHRAUBE          | 2     |
| 63              | GUMMIISOLIERUNG               | 1     |
| PEDALSET (A-12) |                               |       |
| 44R             | PEDAL (R)                     | 1     |
| 44L             | PEDAL (L)                     | 1     |



## GR6-EXPLOSIONSZEICHNUNG



## GR6-TEILELISTE

| NR.                         | BESCHREIBUNG                 | MENGE |
|-----------------------------|------------------------------|-------|
| RAHMENBAUGRUPPE (A-01)      |                              |       |
| 1                           | RAHMEN                       | 1     |
| 2                           | HÜLSE                        | 2     |
| 3                           | SCHNELLSPANNER               | 1     |
| 4                           | SCHNELLSPANNMUTTER           | 2     |
| 5                           | UNTERLEGSCHIBE               | 2     |
| 6                           | SCHNELLSPANNAUFNAHME         | 2     |
| 7                           | SCHNELLSPANNERFEDER          | 2     |
| 8L                          | SCHWUNGRAD-AUSFALLPLATTE (L) | 1     |
| 8R                          | SCHWUNGRAD-AUSFALLPLATTE (R) | 1     |
| 9                           | ENDKAPPE                     | 2     |
| 10                          | INBUSSCHRAUBE                | 1     |
| 11                          | INBUSSCHRAUBE                | 1     |
| 74                          | FLASCHENHALTER               | 1     |
| 75                          | KREUZSCHLITZSCHRAUBE         | 3     |
| 76                          | FRONTGABELSCHUTZ             | 1     |
| ZUGREGELUNGSKNOPFSET (A-02) |                              |       |
| 12                          | ZUGREGELUNG                  | 1     |
| 13                          | POSITIONIERUNGSMUTTER        | 1     |
| 14                          | ABSTANDSHALTER               | 1     |

| NR.                             | BESCHREIBUNG        | MENGE |
|---------------------------------|---------------------|-------|
| 15                              | UNTERLEGSCHIBE      | 1     |
| 16                              | NYLON-EINSTELLKAPPE | 1     |
| 17                              | DRUCKFEDER          | 1     |
| 18                              | NYLONHALTER         | 2     |
| 19                              | EINSTELLUNGSMUTTER  | 1     |
| 21                              | ÜBERWURFMUTTER      | 1     |
| LENKERSET (A-03)                |                     |       |
| 3                               | SCHNELLSPANNER      | 1     |
| 36                              | HANDGRIFFHOLM       | 1     |
| 37                              | LENKER              | 1     |
| 38                              | UNTERLEGSCHIBE      | 2     |
| 80                              | ENDKAPPE            | 1     |
| EINSTELLSET SATTELSTÜTZE (A-04) |                     |       |
| 3                               | SCHNELLSPANNER      | 1     |
| 38                              | UNTERLEGSCHIBE      | 2     |
| 40                              | SATTELSCHLITTEN     | 1     |
| 41                              | SITZ                | 1     |
| SCHWUNGRADBAUGRUPPE (A-05)      |                     |       |
| 42                              | SCHWUNGRAD          | 1     |
| 43                              | ALUMINIUMRING       | 1     |







| NR.                                    | BESCHREIBUNG         | MENGE |
|--|----------------------|-------|
| 44                                     | NABENACHSE           | 1     |
| 45                                     | LAGER                | 4     |
| 46                                     | NABENABSTANDHALTER   | 1     |
| 47                                     | INBUSMUTTER          | 3     |
| 48                                     | UNTERLEGSCHLEIBE     | 3     |
| 49                                     | FLANSCHMUTTER        | 2     |
| 50                                     | INBUSSCHRAUBE        | 6     |
| -                                      | SCHWUNGRAD-AUFKLEBER | 2     |
| KURBELACHSENSET (A-06)                 |                      |       |
| 51                                     | UNTERE HALTERUNG     | 1     |
| 51-1                                   | KURBELSCHRAUBE       | 2     |
| 56                                     | GROSSE ROLLE         | 1     |
| 57L                                    | KURBEL (L)           | 1     |
| 57R                                    | KURBEL (R)           | 1     |
| 57-1                                   | KURBELKAPPE          | 2     |
| 63                                     | INBUSSCHRAUBE        | 5     |
| 64                                     | FEDERSCHLEIBE        | 4     |
| 65                                     | KLEMMMUTTER          | 4     |
| BAUGRUPPE VORDERER STABILISATOR (A-07) |                      |       |
| 34                                     | KLEMMMUTTER          | 2     |

| NR.                                    | BESCHREIBUNG                | MENGE |
|--|-----------------------------|-------|
| 66                                     | STABILISATOR VORNE          | 1     |
| 68                                     | EINSTELLBARER HEBEL         | 2     |
| 69                                     | TRAGESCHRAUBE               | 2     |
| 70                                     | TRANSPORTRAD SCHWARZ        | 2     |
| 71                                     | ÜBERWURFMUTTER              | 2     |
| 72                                     | UNTERLEGSCHLEIBE            | 6     |
| 73                                     | INBUSSCHRAUBE               | 2     |
| BAUGRUPPE HINTERER STABILISATOR (A-08) |                             |       |
| 67                                     | STABILISATOR HINTEN         | 1     |
| 68                                     | EINSTELLBARER HEBEL         | 2     |
| 69                                     | TRAGESCHRAUBE               | 2     |
| 71                                     | ÜBERWURFMUTTER              | 2     |
| 72                                     | UNTERLEGSCHLEIBE            | 2     |
| BREMSBELAGBAUGRUPPE (A-09)             |                             |       |
| 20                                     | MAGNET                      | 4     |
| 22                                     | MAGNETHALTERUNG             | 1     |
| 23                                     | WOLLFILZ-AUFSTELLBASIS      | 1     |
| 24                                     | MAGNETHALTERSCHUTZ          | 2     |
| 25                                     | MAGNETEINSTELLUNGSHALTERUNG | 1     |
| 26                                     | MAGNETHALTERUNGSBEFESTIGUNG | 1     |

| NR.                     | BESCHREIBUNG             | MENGE |
|-------------------------|--------------------------|-------|
| 27                      | FEDERHALTER              | 1     |
| 28                      | FEDER                    | 1     |
| 29                      | BREMSKISSEN              | 2     |
| 30                      | KLEMMMUTTER              | 2     |
| 31                      | KREUZSCHLITZSCHRAUBE     | 1     |
| 32                      | KREUZSCHLITZSCHRAUBE     | 2     |
| 33                      | INBUSSCHRAUBE            | 4     |
| 34                      | KLEMMMUTTER              | 1     |
| 77                      | KREUZSCHLITZSCHRAUBE     | 1     |
| SATTELSTÜTZENSET (A-10) |                          |       |
| 39                      | SATTELSTÜTZE             | 1     |
| 80                      | ENDKAPPE                 | 1     |
| ABDECKUNGSSET (A-11)    |                          |       |
| 32                      | KREUZSCHLITZSCHRAUBE     | 3     |
| 52                      | INNERER KETTENSCHUTZ     | 1     |
| 53                      | MATTE                    | 1     |
| 54                      | ÄUSSERER KETTENSCHUTZ    | 1     |
| 55                      | ANTI-RUTSCH-GUMMIAUFLAGE | 1     |
| 59                      | KREUZSCHLITZSCHRAUBE     | 2     |
| 60                      | UNTERLEGSCHLEIBE         | 5     |

| NR.             | BESCHREIBUNG         | MENGE |
|-----------------|----------------------|-------|
| 61              | KREUZSCHLITZSCHRAUBE | 4     |
| 62              | UNTERLEGSCHLEIBE     | 4     |
| PEDALSET (A-12) |                      |       |
| 58R             | RECHTES PEDAL (R)    | 1     |
| 58L             | LINKES PEDAL (L)     | 1     |





# BEDIENING VAN DE INDOORFIETS





GR3  
GR5  
GR6

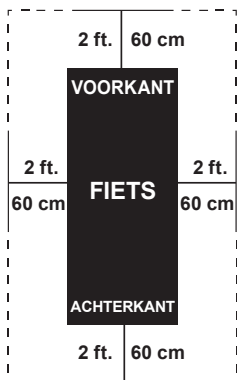
## DE INDOORFIETS VERPLAATSEN

Vanwege het gewicht van de indoorfiets wordt aangeraden hem met twee personen te verplaatsen. Terwijl één persoon de achterkant van de indoorfiets optilt, houdt de tweede persoon het stuur stevig vast en kantelt de indoorfiets naar voren tot hij op de wielen staat. Verplaats de indoorfiets voorzichtig naar de gewenste positie en laat hem vervolgens zakken.

Als de indoorfiets beweegt als hij op de grond staat, pas dan de stelvoeten onder de voorste of achterste stabilisator aan tot de fiets niet meer beweegt.

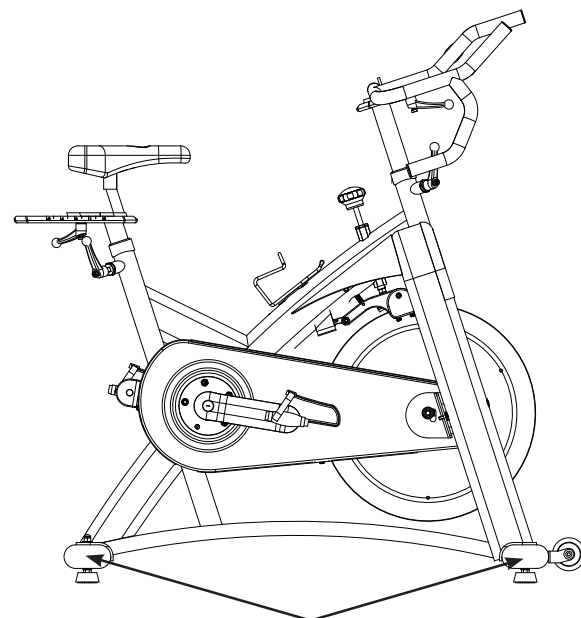
## PLAATSING VAN DE INDOORFIETS

Plaats de indoorfiets op een effen oppervlak. Rondom de indoorfiets moet 60 centimeter (2 ft.) ruimte zijn aan elke kant. Plaats de fiets niet op een plek waar hij ventilatie- of luchtgaten blokkeert. De indoorfiets mag niet in een garage of op een overdekt terras, in de buurt van water of buiten worden geplaatst.



## ⚠ WAARSCHUWING

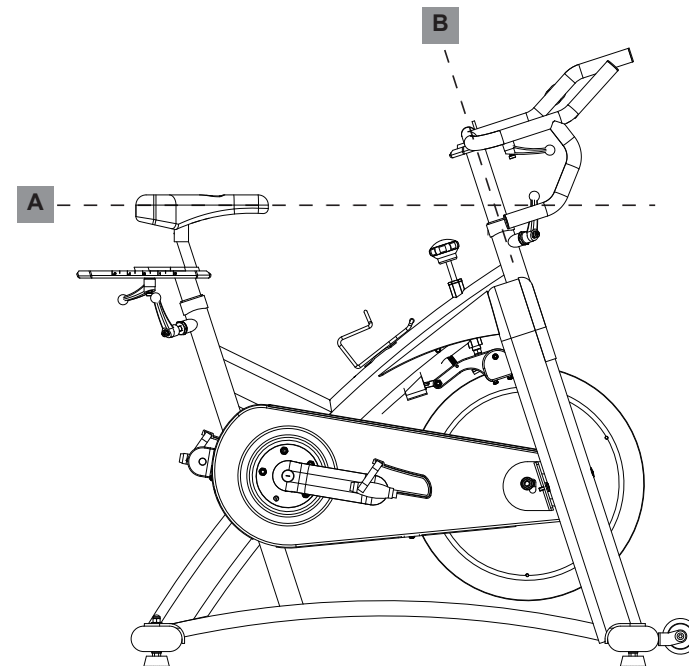
Om het risico op persoonlijk letsel te verkleinen, dient u zeer voorzichtig te zijn bij het verplaatsen van de indoorfiets. Probeer niet om de fiets te verplaatsen over een oneffen oppervlak en zorg ervoor dat er een veiligheidsmarge is van (minimaal) 50 cm ten opzichte van de dichtstbijzijnde apparatuur.



Stelvoeten  
(GR6 AFGEBEELD)

## DE INDOORFIETS AFSTELLEN

De indoorfiets kan worden aangepast voor maximaal comfort en doeltreffendheid van de training. De onderstaande instructies beschrijven een manier om de indoorfiets af te stellen voor optimaal gebruikskomfort en een ideale lichaamspositie; u kunt ervoor kiezen de indoorfiets op een andere manier aan te passen.



(GR6 AFGEBEELD)

## ZADELAFSTELLING

De juiste zadelhoogte zorgt voor een maximale trainingsefficiëntie en comfort, en vermindert het risico op persoonlijk letsel. Pas de zadelhoogte aan om ervoor te zorgen dat ze in de correcte positie staat, waarbij uw knie enigszins is gebogen wanneer uw been gestrekt is.

## STUUR VERSTELLEN

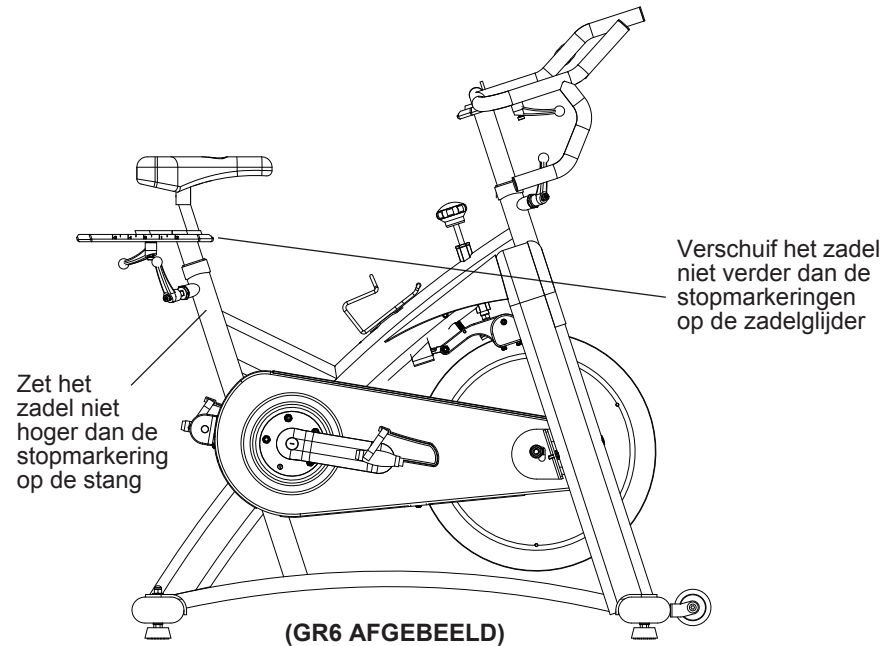
De correcte positie van het stuur hangt voornamelijk af van comfort. Voor beginnende fietsers moet het stuur over het algemeen iets hoger staan dan het zadel. Gevorderde fietsers kunnen verschillende hoogten proberen om de meest geschikte afstelling te vinden.



GR3  
GR5  
GR6



GR3  
GR5  
GR6



### OM DE ZADELHOOGTE AAN TE PASSEN:

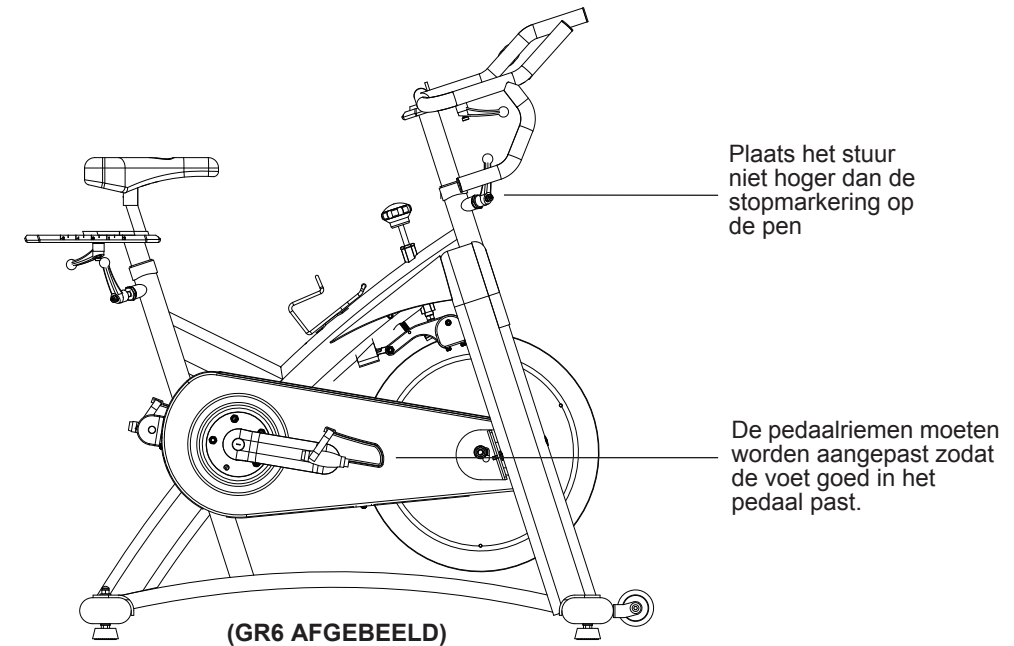
Draai de verstelhendel naar links en zet het zadel in een comfortabele trappositie. Draai de hendel naar rechts om de positie van het zadel te vergrendelen.

### OM DE HORIZONTALE POSITIE VAN HET ZADEL AAN TE PASSEN:

Draai de verstelhendel naar links om het zadel vooruit of achteruit te schuiven. Draai de hendel naar rechts om de positie van het zadel te vergrendelen. Test de zadelglijder op een correcte werking.



GR3  
GR5  
GR6



### OM DE HOOGTE VAN HET STUUR AAN TE PASSEN:

Draai de verstelhendel naar links om de stuurhoogte aan te passen. Verhoog of verlaag het stuur naar de gewenste hoogte. Draai de hendel naar rechts om de stuurpositie te vergrendelen.

### OM DE PEDAALRIEMEN AAN TE PASSEN:

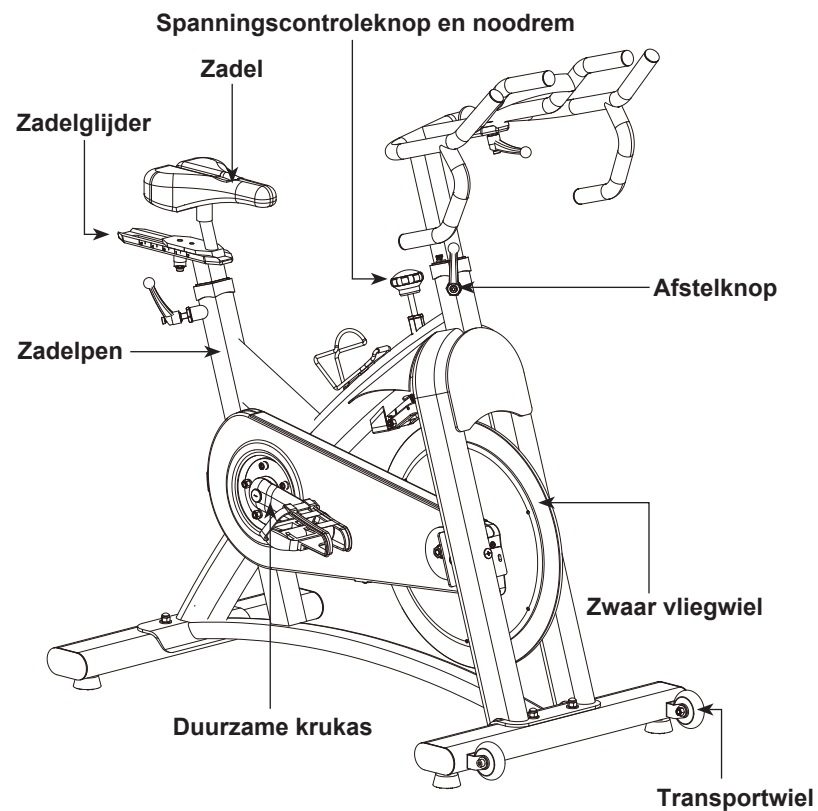
Plaats de voet op de pedalen en in de teenbeugel zodanig dat de voet is gecentreerd boven de pedaalas (midden van het pedaal). Draai één voet tot hij binnen handbereik is en trek de teenbeugelriem aan. Herhaal dit voor de andere voet. Houd uw knieën boven uw voeten terwijl u trapt. Als u uw voet uit de teenbeugel wilt verwijderen, maakt u het bandje los en trekt u uw voet eruit.



## MODELINFORMATIE



GR6  
AFGEBEELD



(GR6 AFGEBEELD)

## MEEGELEVERDE HOOFDONDERDELEN:

- 1 basisframe
- Stabilisator voor en achter
- Stuurset
- Stuurmastset (alleen GR6)
- Zadelpenset
- Pedaalset

## MEEGELEVERDE ONDERDELEN IN DE VERPAKKING:

- 1 onderdelendoos
- 1 handleiding voor de eigenaar

## VOOR DE MONTAGE

### UITPAKKEN

Vanwege het gewicht van de indoorfiets **raden we aan om de montage met twee personen uit te voeren**. Plaats de indoorfiets op een lege plek en verwijder al het verpakkingsmateriaal; gooi het verpakkingsmateriaal pas weg als de montage is voltooid.

OPMERKING: zorg er tijdens elke montageslap voor dat ALLE moeren en bouten op hun plek zitten en deels zijn vastgedraaid voordat u OM HET EVEN WELKE bout volledig aanspant.

OPMERKING: de montage van het toestel kan gemakkelijker zijn indien u een klein beetje olie gebruikt. Om het even welke olie, zoals bijvoorbeeld fietsolie op lithiumbasis, is aangeraden.

### HULP NODIG?

Als u vragen hebt of als er onderdelen ontbreken, neem dan contact op met uw plaatselijke dealer. Contactgegevens staan op de achterzijde van deze handleiding of op de garantietaal.



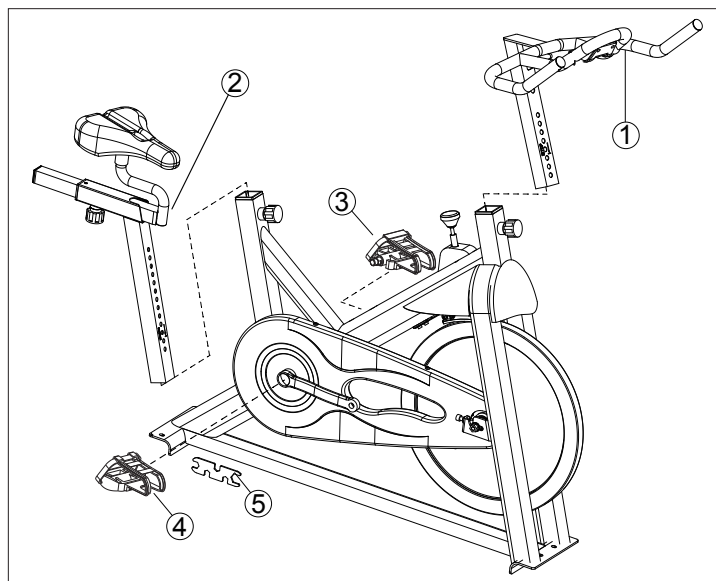
GR3  
GR5  
GR6

## GR3 MONTAGE STAP 1



GR3

| GEREEDSCHAP VOOR STAP 1: |                   |        |
|--------------------------|-------------------|--------|
| NR.                      | BESCHRIJVING      | AANTAL |
| 1                        | STUUR             | 1      |
| 2                        | ZADELPEN          | 1      |
| 3                        | LINKERPEDAAL      | 1      |
| 4                        | RECHTERPEDAAL     | 1      |
| 5                        | COMBINATIESLEUTEL | 1      |



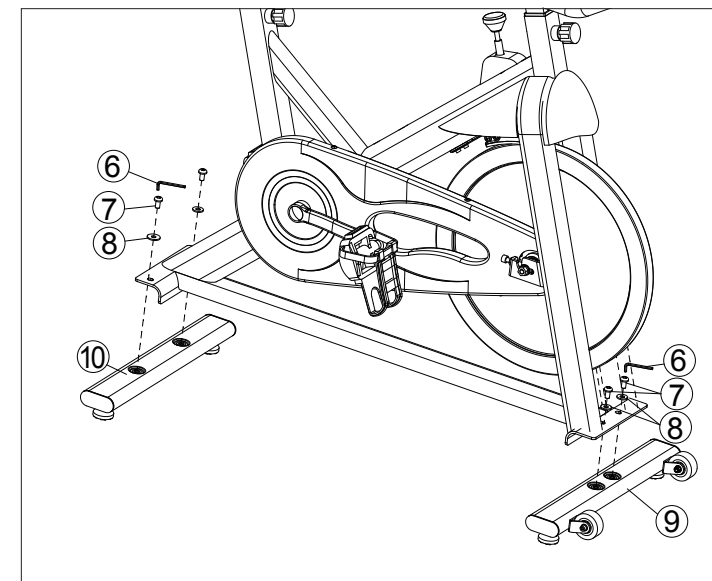
- A Monteer het **STUUR (1)** op de frame-aansluiting en zet vast met de knop.
- B Monteer de **ZADELPEN (2)** op de frame-aansluiting en zet vast met de knop.
- C Schroef de **LINKERPEDAAL (3)**, met de 'L' op de as aan de linkerkant van de fiets, vast met behulp van de **COMBINATIESLEUTEL (5)**. Merk op dat de linkerpedaal linksdraaiend is en linksom moet worden vastgedraaid.
- D Schroef de **RECHTERPEDAAL (4)**, met de 'R' op de trapas aan de linkerkant van de fiets, vast met behulp van de **COMBINATIESLEUTEL (5)**. Merk op dat de rechterpedaal rechtsdraaiend is en rechtsom moet worden vastgedraaid.

## GR3 MONTAGE STAP 2



GR3

| GEREEDSCHAP VOOR STAP 2: |                         |        |
|--------------------------|-------------------------|--------|
| NR.                      | BESCHRIJVING            | AANTAL |
| 6                        | INBUSLEUTEL             | 1      |
| 7                        | INBUSBOUTEN (M8 X 16L)  | 8      |
| 8                        | SLUITRINGEN             | 8      |
| 9                        | STABILISATOR VOORKANT   | 1      |
| 10                       | STABILISATOR ACHTERKANT | 1      |



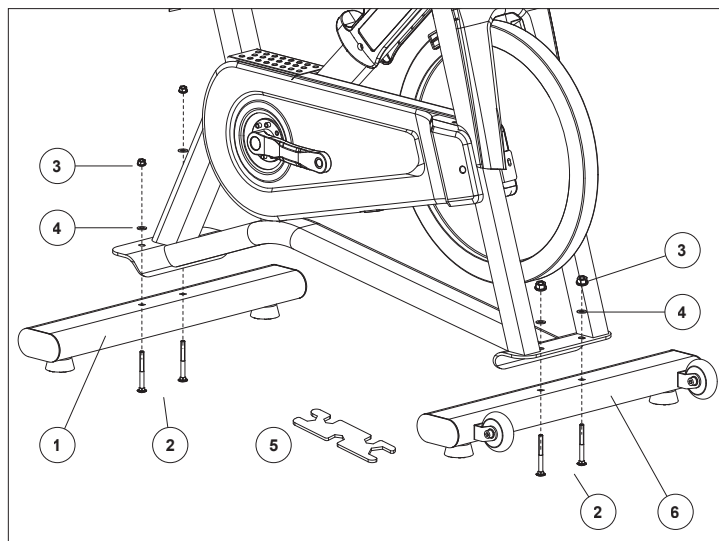
- A Bevestig de **VOORSTE STABILISATOR (9)** aan het frame met 2 **INBUSBOUTEN (7)** en 2 **SLUITRINGEN (8)**, en draai stevig vast met de **INBUSLEUTEL (6)**.
- B Bevestig de **ACHTERSTE STABILISATOR (10)** aan het frame met 2 **INBUSBOUTEN (7)** en 2 **SLUITRINGEN (8)**, en draai stevig vast met de **INBUSLEUTEL (6)**.

## GR5 MONTAGE STAP 1



GR5

| GEREEDSCHAP VOOR STAP 1: |                         |        |
|--------------------------|-------------------------|--------|
| NR.                      | BESCHRIJVING            | AANTAL |
| 1                        | STABILISATOR ACHTERKANT | 1      |
| 2                        | BOUTEN                  | 4      |
| 3                        | MOEREN                  | 4      |
| 4                        | SLUITRINGEN             | 4      |
| 5                        | SLEUTEL                 | 1      |
| 6                        | STABILISATOR VOORKANT   | 1      |



- A Bevestig de **ACHTERSTE STABILISATOR (1)** aan het frame met behulp van 2 **MOEREN (3)**, 2 **SLUITRINGEN (4)** en 2 **BOUTEN (2)**, en draai stevig vast met behulp van de verstelbare **MOERSLEUTEL (5)**.
- B Bevestig de **VOORSTE STABILISATOR (6)** aan het frame met behulp van 2 **MOEREN (3)**, 2 **SLUITRINGEN (4)** en 2 **BOUTEN (2)**, en draai stevig vast met behulp van de verstelbare **MOERSLEUTEL (5)**.

NEDERLANDS

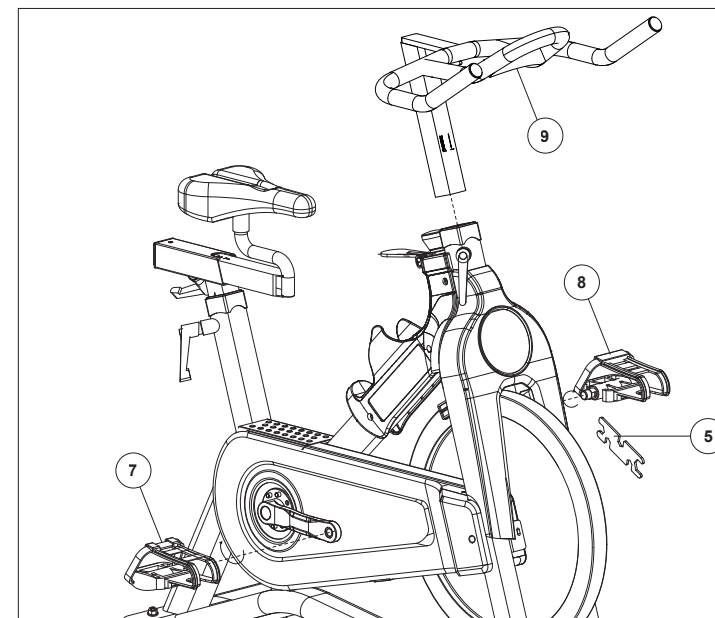
78

## GR5 MONTAGE STAP 2



GR5

| GEREEDSCHAP VOOR STAP 2: |               |        |
|--------------------------|---------------|--------|
| NR.                      | BESCHRIJVING  | AANTAL |
| 5                        | SLEUTEL       | 1      |
| 7                        | RECHTERPEDAAL | 1      |
| 8                        | LINKERPEDAAL  | 1      |
| 9                        | STUUR         | 1      |



- A Schroef de **LINKERPEDAAL (8)**, met de 'L' op de as aan de linkerkant van de fiets, vast met behulp van de afstelbare **SLEUTEL (5)**. Merk op dat de linkerpedaal linksdraaiend is en **linksom** moet worden vastgedraaid.
- B Schroef de **RECHTERPEDAAL (7)**, met de 'R' op de trapas aan de linkerkant van de fiets, vast met behulp van de afstelbare **SLEUTEL (5)**. Merk op dat de rechterpedaal rechtsdraaiend is en **rechtsom** moet worden vastgedraaid.
- C Monteer het **STUUR (9)** op de aansluiting in het frame en zet vast met de snelspanner.

NEDERLANDS

79



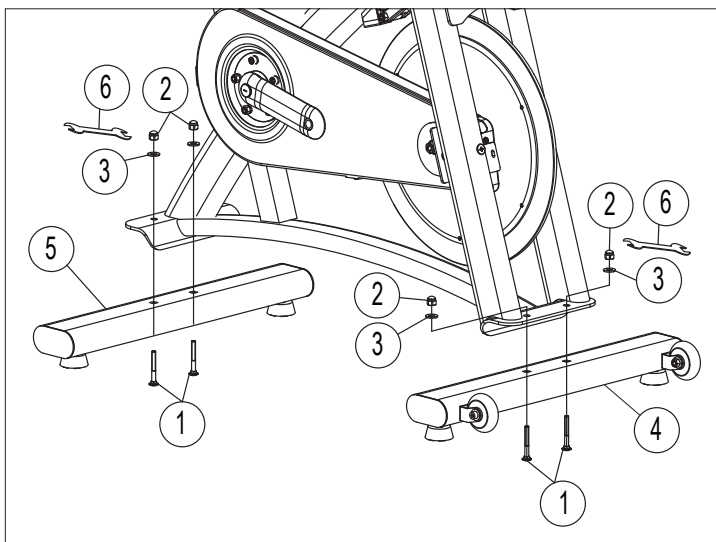
## GR6 MONTAGE STAP 1



GR6

| GEREEDSCHAP VOOR STAP 1: |                         |        |
|--------------------------|-------------------------|--------|
| NR.                      | BESCHRIJVING            | AANTAL |
| 1                        | BOUTEN                  | 4      |
| 2                        | MOEREN                  | 4      |
| 3                        | SLUITRINGEN (M8)        | 4      |
| 4                        | STABILISATOR VOORKANT   | 1      |
| 5                        | STABILISATOR ACHTERKANT | 1      |
| 6                        | SLEUTEL                 | 1      |

- A Bevestig de **VOORSTE STABILISATOR (4)** en **ACHTERSTE STABILISATOR (5)** op het frame met behulp van 4 **BOUTEN (1)**, 4 **SLUITRINGEN (3)** en 4 **MOEREN (2)**, en zet stevig vast met behulp van de **MOERSLEUTEL (6)**.



NEDERLANDS

80

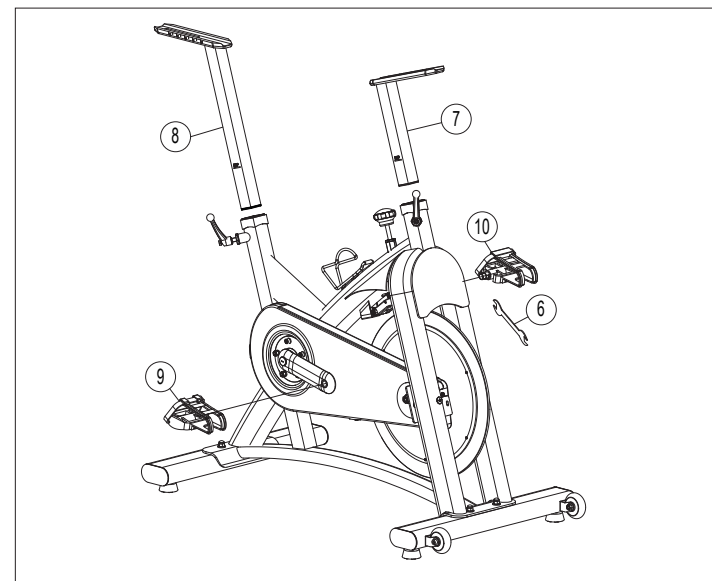
## GR6 MONTAGE STAP 2



GR6

| GEREEDSCHAP VOOR STAP 2: |               |        |
|--------------------------|---------------|--------|
| NR.                      | BESCHRIJVING  | AANTAL |
| 6                        | SLEUTEL       | 1      |
| 7                        | STUURMAST     | 1      |
| 8                        | ZADELPEN      | 1      |
| 9                        | RECHTERPEDAAL | 1      |
| 10                       | LINKERPEDAAL  | 1      |

- A Schroef de **LINKERPEDAAL (10)**, met de 'L' op de as aan de linkerkant van de fiets, vast met behulp van de **SLEUTEL (6)**. Merk op dat de linkerpedaal linksdraaiend is en linksom moet worden vastgedraaid.
- B Schroef de **RECHTERPEDAAL (9)**, met de 'R' op de trapas aan de linkerkant van de fiets, vast met behulp van de **SLEUTEL (6)**. Merk op dat de rechterpedaal rechtsdraaiend is en rechtsom moet worden vastgedraaid.
- C Monteer de **STUURMAST (7)** op de frame-aansluiting en zet vast met de snelspanner.
- D Monteer de **ZADELPEN (8)** op de frame-aansluiting en zet vast met de snelspanner.



NEDERLANDS

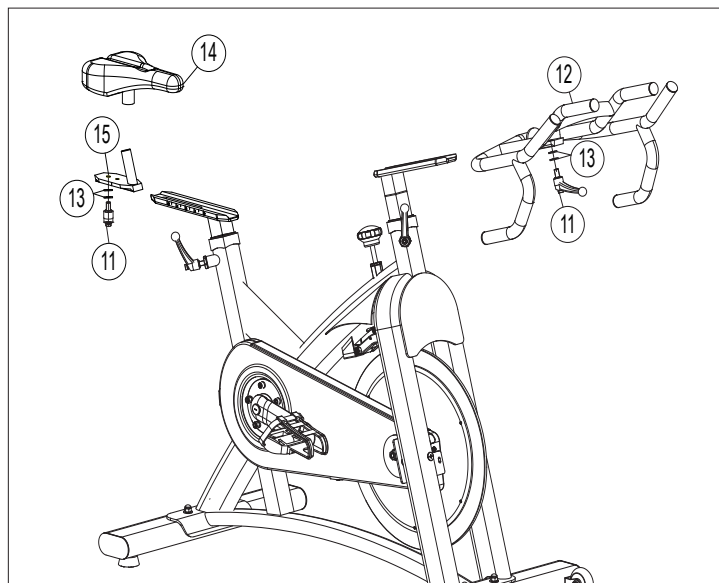
81

## GR6 MONTAGE STAP 3



GR6

| GEREEDSCHAP VOOR STAP 3: |                   |        |
|--------------------------|-------------------|--------|
| NR.                      | BESCHRIJVING      | AANTAL |
| 11                       | SNELSPANNER       | 2      |
| 12                       | STUUR             | 1      |
| 13                       | SLUITRINGEN (M10) | 4      |
| 14                       | ZADEL             | 1      |
| 15                       | ZADELSCHUIF       | 1      |



- A Monteer het **STUUR (12)** in de stuurmastaansluiting met behulp van 2 **SLUITRINGEN (13)** en zet vast met de **SNELSPANNER (11)**.
- B Monteer het **ZADEL (14)** in de aansluiting van de **ZADELSCHUIF (15)** en zet vast met de sleutel.
- C Bevestig de **ZADELSCHUIF (15)** aan de **ZADELPEN (8)** met behulp van 2 **SLUITRINGEN (13)** en zet vast met de **SNELSPANNER (11)**.

# PROBLEEMOPLOSSING EN ONDERHOUD



## VEELGESTELDE PRODUCTVRAGEN



### ZIJN DE GELUIDEN DIE MIJN indoorfiets MAAKT NORMAAL?

Onze indoorfietsen zijn één van de stilste trainers op de markt, omdat ze gebruikmaken van riemaandrijvingen en vrijdragende remweerstand. We gebruiken de meest hoogwaardige lagers en kettingen/riemen om geluiden te minimaliseren. Omdat het weerstandssysteem zelf echter zo stil is, zult u af en toe andere, licht mechanische geluiden horen. Bij onze indoorfietsen hebt u geen lawaai van ventilatoren, wrijvingsbanden of wisselstroomdynamo's die deze geluiden maskeren, wat bij oudere, luidruchtigere technologieën wel het geval is. Deze mechanische geluiden, die zich wel of niet met tussenpozen voordoen, zijn normaal en worden veroorzaakt doordat een aanzienlijke hoeveelheid energie naar een snel draaiend vliegwiel wordt overgedragen. Alle lagers, kettingen/riemen en andere ronddraaiende onderdelen veroorzaken enig geluid, dat via de behuizing en het frame wordt doorgegeven. Het is ook normaal dat deze geluiden enigszins veranderen tijdens een training en in de loop van de tijd, door de thermische expansie van de onderdelen.

### WAAROM MAAKT DE indoorfiets DIE IK HEB GEKOCHT MEER GELUID DAN DE FIETS IN DE WINKEL?

Alle fitnessproducten lijken stiller in een grote showroom, omdat er meestal meer achtergrondlawaai is dan bij u thuis. Er is ook minder geluidswaerkaatsing bij vast tapijt dan bij een houten vloer. Soms helpt een zware, rubberen mat de geluidswaerkaatsing te verminderen. Als een sporttoestel dicht tegen een muur is geplaatst, zal er meer geluid worden waerkaatsd.

### HOE LANG GAAT DE RIEM MEE?

De computermodellen die we hebben uitgevoerd, gaven aan dat ze praktisch duizenden uren zonder onderhoud moeten meegaan. U zou de riem niet hoeven te vervangen zolang u de indoorfiets hebt.

### KAN IK DE indoorfiets EENVOUDIG VERPLAATSEN NADAT HIJ IN ELKAAR IS GEZET?

Uw indoorfiets beschikt over een paar transportwielletjes die in de stabilisatorstang aan de voorkant zijn ingebouwd. Raadpleeg het gedeelte De indoorfiets verplaatsen als u uw indoorfiets wilt verplaatsen. Het is belangrijk dat u uw indoorfiets in een comfortabele en uitnodigende kamer plaatst. Uw indoorfiets is ontworpen om zo min mogelijk vloeroppervlak in te nemen. Veel mensen plaatsen hun indoorfiets voor de tv of een venster met een uitzicht. Vermijd indien mogelijk om uw indoorfiets in een onafgewerkte kelder te plaatsen. Om trainingen tot een prettige dagelijkse activiteit te maken, moet de indoorfiets in een comfortabele omgeving staan.

## PROBLEEMOPLOSSING



**PROBLEEM:** De indoorfiets maakt een krakend of piepend geluid.

**OPLOSSING:** Controleer het volgende:

- De indoorfiets staat op een effen oppervlak.
- Draai alle gemonteerde bouten los, smeer de schroefdraad en draai ze opnieuw vast.

Als dit het probleem niet verhelpt, kunt u

**CONTACT OPNEMEN MET DE DIENST VOOR TECHNISCHE ONDERSTEUNING VIA HET NUMMER OP DE INFOKAART.**

Wanneer u ons belt, wordt u mogelijk de volgende informatie gevraagd. Houd deze gegevens bij de hand:

- Modelnaam
- Serienummer
- Aankoopbewijs (kassabon of een creditcardafschrift)

U vindt op onze website meer suggesties voor probleemoplossing in het klantenservicegedeelte. Neem contact op met de klantendienst via de contactgegevens op de INFOKAART.

Om ervoor te zorgen dat de dienst voor technische ondersteuning onderhoud kan uitvoeren aan uw indoorfiets, kunnen ze gedetailleerde vragen stellen over de symptomen die zich voordoen. Enkele vragen die ze zouden kunnen stellen, zijn:

- Hoe lang duurt dit probleem reeds?
- Gebeurt dit elke keer dat u het toestel gebruikt? Bij elke gebruiker?
- Als u een geluid hoort, komt dit dan van de voor- of de achterkant? Wat soort geluid is het (bonkend, knarsend, piepend, krassend, enz.)?
- Is het toestel gesmeerd en onderhouden volgens het onderhoudsschema?

Door deze en andere vragen te beantwoorden, kunnen de technici de juiste vervangende onderdelen naar u sturen en de nodige service bieden, zodat zowel u als uw indoorfiets weer aan het werk kunnen!



## ONDERHOUD

De veiligheid van het ontwerp van de indoorfiets kan alleen worden gegarandeerd als de apparatuur regelmatig op schade en slijtage wordt onderzocht. Niet-werkende onderdelen moeten worden vervangen of de apparatuur dient buiten gebruik te worden gesteld totdat ze zijn gerepareerd.

### DAGELIJKS

- Neem de indoorfiets af na elk gebruik om zweet en vocht te verwijderen. Gebruik zeep en water of een verdund, niet-schurend schoonmaakmiddel. Spoel de resten van het schoonmaakmiddel af en droog af.
- Controleer vóór elke sessie op losse onderdelen, zoals de pedalen of krukken, voordat u het apparaat weer gebruikt. Draai losse delen vast.

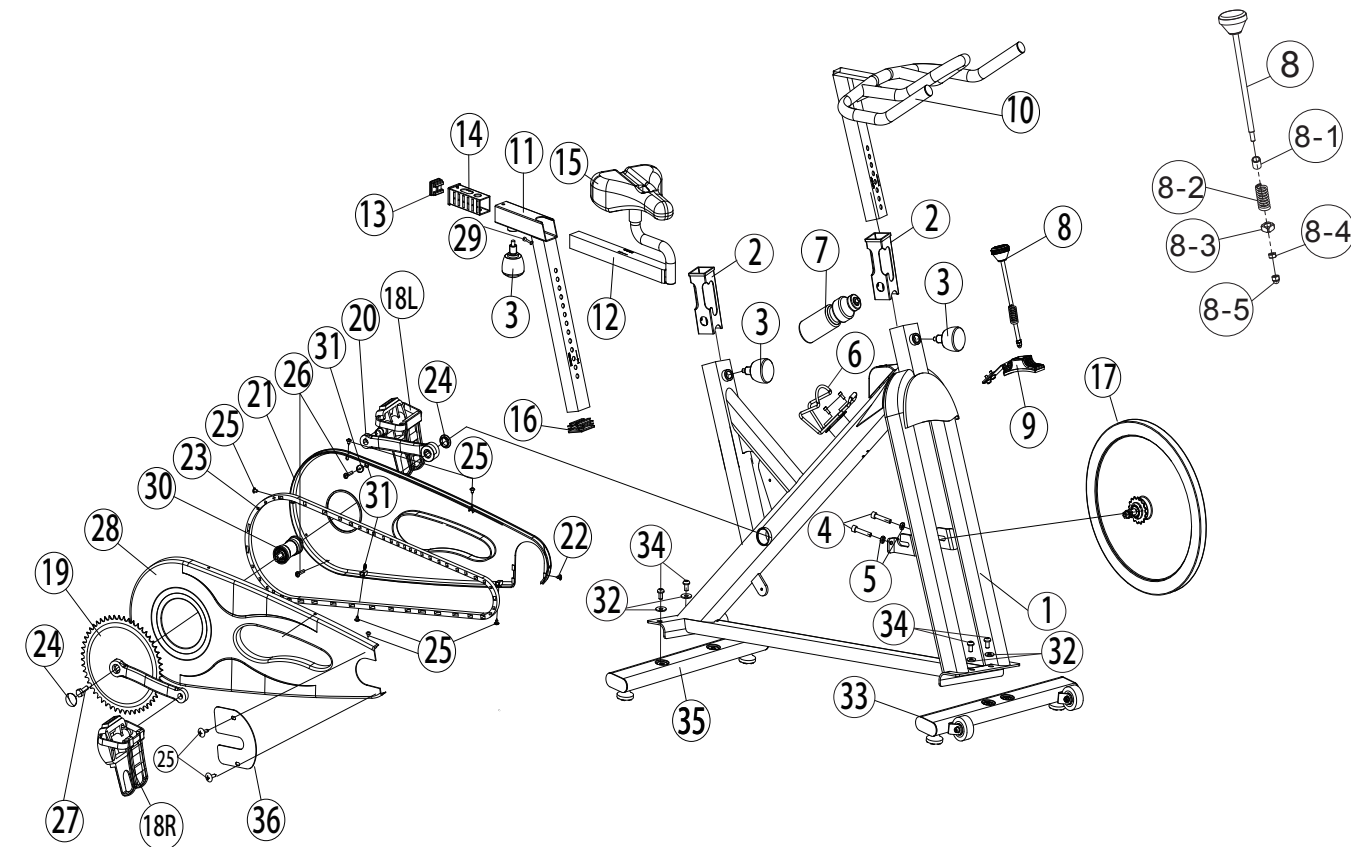
### WEKELIJKS

- Controleer of het vliegwiel correct is uitgelijnd. Haal vliegwielmoeren aan indien nodig.
- Verwijder de kettingbescherming en controleer op losse ketting. Pas de ketting aan en smeer ze indien nodig.
- Controleer of de krukarmen zijn bevestigd aan de onderste beugel.
- Controleer alle onderdelen, moeren, bouten of schroeven en kijk of ze moeten worden aangepast, vervangen of onderhouden.

### MAANDELIJKS

- Controleer het frame en de hoofdconstructie op roest of corrosie. Kantel de fiets of plaats hem omgekeerd om plekken te vinden waar zich roest en corrosie kan ontwikkelen. Gebruik een kleine staalborstel om roestplekken op moeilijk te bereiken plekken te verwijderen, zoals stelvoeten, hendels van snelspanners en andere boutverbindingen.
- Controleer alle slijtagegevoelige onderdelen en kijk of ze moeten worden aangepast en of er mogelijk onderdelen moeten worden vervangen. Besteed bijzondere aandacht aan het volgende:
  - A) Controleer het remblok op slijtage. Overtollige slijtage of uitdroging geeft aan dat vervanging nodig is.
  - B) Controleer het zitkussen op slijtage. Scheuren of overmatige beweging geven aan dat vervanging nodig is.
  - C) Controleer de pedalen op speling. Te veel beweging van de pedalen geeft aan dat vervanging nodig is.
- Controleer de ketting op spanning door de krukas te draaien om het vliegwiel naar voren te draaien. Voer deze beweging uit met een omwenteling van een kwart om te beoordelen of er speling zit tussen de krukas en het vliegwiel.
- Droogte of langdurig gebruik kunnen ertoe leiden dat de aanpassingen van de hoogte en reikwijdte van de zitting en het stuur te strak worden. Als dat het geval is, moet de verschuifbare constructie van het frame worden verwijderd en brengt u voor montage licht vet aan op het schuifoppervlak. Breng een beetje vet aan op de klemmen om ervoor te zorgen dat ze niet vastroesten. Verwijder overtollig vet vóór de montage.
- Smeer de zadelpen, het remblok en de stuuraanpassing regelmatig in met smeermiddel uit uw onderdelenpakket.

## OPENGEWERKTE WEERGAVE GR3



## ONDERDELENLIJST GR3

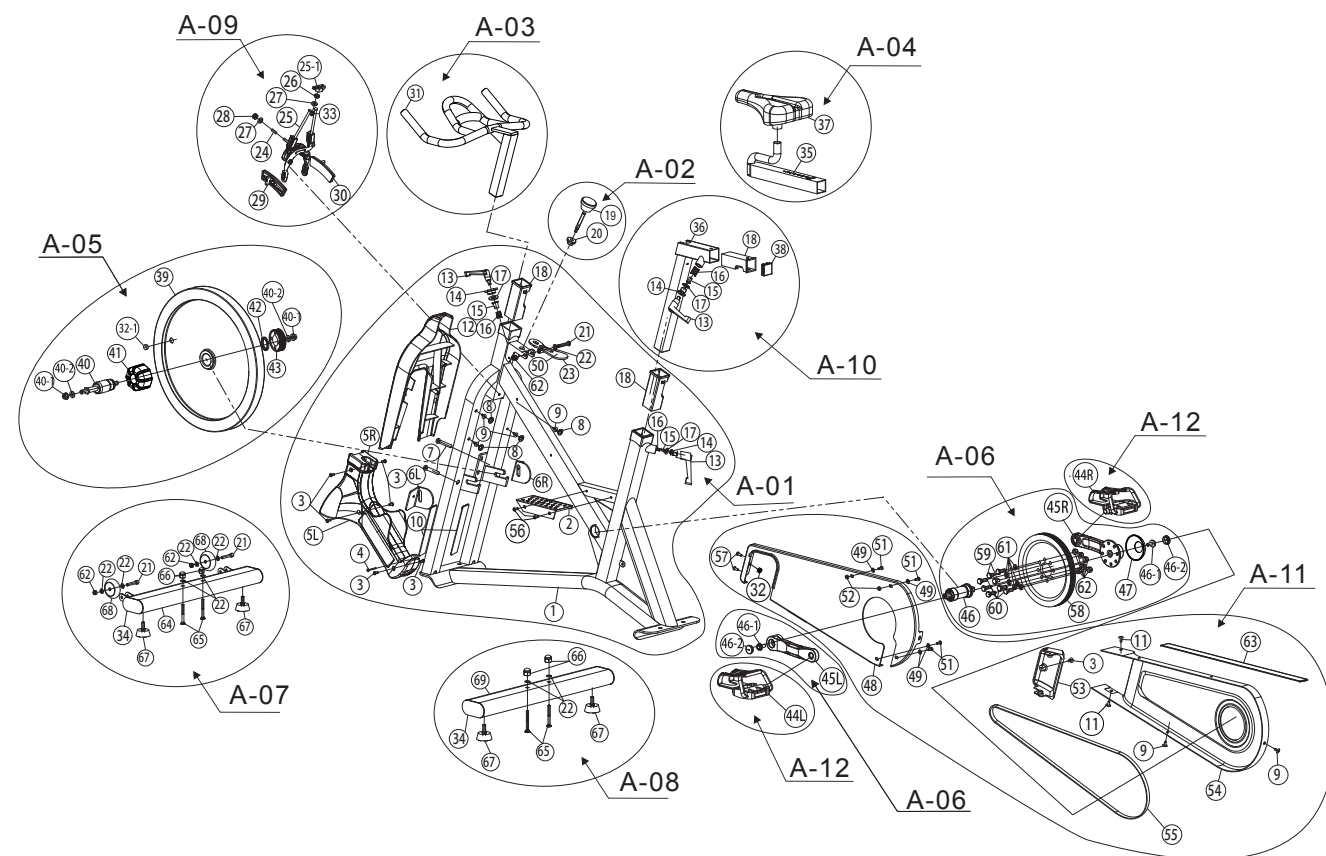
| NR.      | BESCHRIJVING          | AANTAL |   |
|----------|-----------------------|--------|---|
| FRAME    |                       |        |   |
| 1        | FRAME                 | 1      |   |
| 2        | MOF                   | 2      |   |
| 3        | VERSTELBARE KNOP      | 3      |   |
| 4        | INBUSBOUT             | 2      |   |
| 5        | INBUSMOER             | 2      |   |
| 6        | BIDONHOUDER           | 1      |   |
| 7        | BIDON                 | 1      |   |
| REM      |                       |        |   |
| 8        | SPANNINGSCONTROLE     | 1      |   |
| 8-1      | AFSTANDSSTUK          | 1      |   |
| 8-2      | SCHROEFCOMPRESSIEVEER | 1      |   |
| 8-3      | VIERKANTE MOER        | Φ13*5T | 1 |
| 8-4      | INBUSMOER             | M6     | 1 |
| 8-5      | DOPMOER               | M6     | 1 |
| 9        | REMBLOKMONTAGE        | 1      |   |
| STUUR    |                       |        |   |
| 10       | STUUR                 | 1      |   |
| ZADELPEN |                       |        |   |
| 11       | ZADELPEN              | 1      |   |

| NR.         | BESCHRIJVING                         | AANTAL |
|-------------|--------------------------------------|--------|
| 12          | ZADELSCHUIF                          | 1      |
| 13          | EINDKAP                              | 1      |
| 14          | MOF                                  | 1      |
| 15          | ZADEL                                | 1      |
| 16          | EINDKAP                              | 1      |
| VLIEGWIEL   |                                      |        |
| 17          | VLIEGWIELMONTAGE                     | 1      |
| TRANSMISSIE |                                      |        |
| 18R         | PEDAAL (R)                           | 1      |
| 18L         | PEDAAL (L)                           | 1      |
| 19          | KETTINGWIEL - CP                     | 1      |
| 20          | KRUKAS - CP                          | 1      |
| 21          | BINNENSTE KETTINGKAST                | 1      |
| 22          | ZELFTAPPENDE SCHROEF                 | 1      |
| 23          | KETTING                              | 1      |
| 24          | KRUKASKAP                            | 2      |
| 25          | ZELFTAPPENDE SCHROEF                 | 8      |
| 26          | ZELFTAPPENDE SCHROEF                 | 2      |
| 27          | BB BOUT                              | 2      |
| 28          | BUITENSTE KETTINGKAST ZONDER STICKER | 1      |

| NR.                     | BESCHRIJVING                     | AANTAL |
|-------------------------|----------------------------------|--------|
| 29                      | INBUSBOUT                        | 1      |
| 30                      | ONDERSTE BEUGEL                  | 1      |
| 31                      | AFSTANDSSTUK VOOR DE KETTINGKAST | 6      |
| STABILISATOR VOORKANT   |                                  |        |
| 32                      | SLUITRING                        | 4      |
| 33                      | STABILISATOR VOORKANT            | 1      |
| 34                      | INBUSBOUT                        | 4      |
| STABILISATOR ACHTERKANT |                                  |        |
| 35                      | STABILISATOR ACHTERKANT          | 1      |
| 36                      | AFDEKPLAAT VOOR DE KETTINGKAST   | 1      |



## OPENGEWERKTE WEERGAVE GR5



## ONDERDELENLIJST GR5

| NR.                 | BESCHRIJVING                    | AANTAL |
|---------------------|---------------------------------|--------|
| FRAMEMONTAGE (A-01) |                                 |        |
| 1                   | FRAME                           | 1      |
| 2                   | ROESTVRIJSTALEN PLAAT           | 1      |
| 3                   | KRUIKOPSCHROEF                  | 6      |
| 4                   | ZELFTAPPENDE SCHROEF            | 1      |
| 5L                  | ZWEETBESTENDIGE BESCHERMING (L) | 1      |
| 5R                  | ZWEETBESTENDIGE BESCHERMING (R) | 1      |
| 6L                  | VLEIOWIELBEUGELPLAATJE (L)      | 1      |
| 6R                  | VLEIOWIELBEUGELPLAATJE (R)      | 1      |
| 7                   | INBUSBOUT                       | 2      |
| 8                   | EINDKAP                         | 4      |
| 9                   | ZELFTAPPENDE SCHROEF            | 4      |
| 10                  | RUBBEREN ANTISLIPKUSSEN         | 2      |
| 12                  | DECORATIEVE VOORKANT            | 1      |
| 13                  | SNELSPANNER                     | 2      |
| 14                  | MOER SNELSPANNER                | 2      |
| 15                  | AANSLUITING SNELSPANNER         | 2      |
| 16                  | VEER SNELSPANNER                | 2      |
| 17                  | SLUITRING                       | 2      |
| 18                  | MOF                             | 2      |

| NR.                              | BESCHRIJVING             | AANTAL      |   |
|----------------------------------|--------------------------|-------------|---|
| 21                               | INBUSBOUT                | 1           |   |
| 22                               | SLUITRING                | 1           |   |
| 23                               | NOODNIVELLEERDER         | 1           |   |
| 50                               | STICKER NOODNIVELLEERDER | 1           |   |
| 56                               | ZELFTAPPENDE SCHROEF     | 2           |   |
| 62                               | BORGMOER                 | 1           |   |
| SET SPANNINGSCONTROLEKNOP (A-02) |                          |             |   |
| 19                               | SPANNINGSCONTROLEKNOP    | 1           |   |
| 20                               | AFSTANDSSTUK             | 1           |   |
| STUURSET (A-03)                  |                          |             |   |
| 31                               | STUUR                    | 1           |   |
| AFSTELLINGSSET ZITKUSSEN (A-04)  |                          |             |   |
| 35                               | ZADELSCHUIF              | 1           |   |
| 37                               | ZADEL                    | 1           |   |
| VLEIOWIELMONTAGE (A-05)          |                          |             |   |
| 32-1                             | MAGNEET                  | 1           |   |
| 39                               | VLEIOWIEL                | 1           |   |
| 40                               | NAAFSET                  | 1           |   |
| 40-1                             | FLENSMOER                | 2           |   |
| 40-2                             | SLUITRING                | Φ10*Φ21*2.0 | 2 |



| NR.  | BESCHRIJVING        | AANTAL |
|--|---------------------|--------|
| 41   | NAAFAFDEKKING       | 1      |
| 42   | VERGRENDELDE RING   | 1      |
| 43   | KLEINE WIELSCHIJF   | 1      |
| -  | VLIEGWIELSTICKER    | 2      |
| ASSET KRUKAS (A-06)                        |                     |        |
| 45L  | KRUKAS (L)          | 1      |
| 45R  | KRUKAS (R)          | 1      |
| 46   | ONDERSTE BEUGEL     | 1      |
| 46-1                                       | BB MOER M10*1,5     | 2      |
| 46-2                                       | KRUKASKAP           | 2      |
| 47   | FLENSBOUTKAP        | 1      |
| 58   | GROTE RIEMSCHIJF    | 1      |
| 59   | INBUSBOUT           | 2      |
| 60   | INBUSBOUT           | 6      |
| 61   | VEERING             | 6      |
| 62   | BORGMOER            | 6      |
| MONTAGE VAN DE VOORSTE STABILISATOR (A-07) |                     |        |
| 21   | INBUSBOUT           | 2      |
| 22   | SLUITRING           | 6      |
| 34   | STABILISATORSTICKER | 2      |

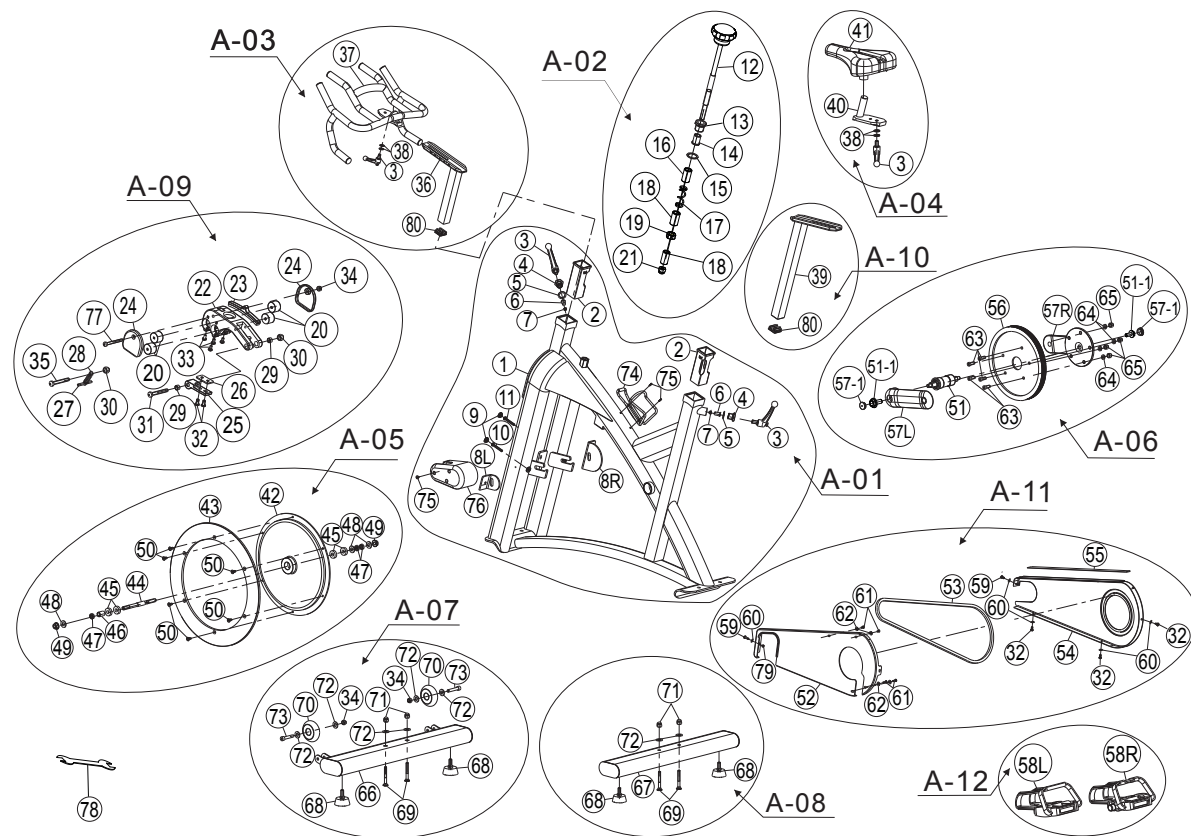
| NR.                            | BESCHRIJVING             | AANTAL |
|--------------------------------|--------------------------|--------|
| 62                             | BORGMOER                 | 2      |
| 64                             | STABILISATOR VOORKANT    | 1      |
| 65                             | SLOTBOUT                 | 2      |
| 66                             | DOPMOER                  | 2      |
| 67                             | VERSTELBARE EGALISEERDER | 2      |
| 68                             | TRANSPORTWIEL ZWART      | 2      |
| STABILISATOR ACHTERKANT (A-08) |                          |        |
| 22                             | SLUITRING                | 2      |
| 34                             | STABILISATORSTICKER      | 2      |
| 65                             | SLOTBOUT                 | 2      |
| 66                             | DOPMOER                  | 2      |
| 67                             | VERSTELBARE EGALISEERDER | 2      |
| 69                             | STABILISATOR ACHTERKANT  | 1      |
| REMBLOKMONTAGE (A-09)          |                          |        |
| 24                             | AKOESTISCH RUBBER        | 1      |
| 25                             | REMCLAUW                 | 1      |
| 25-1                           | STOP                     | 1      |
| 26                             | VIERKANTE MOER           | 1      |
| 27                             | SLUITRING                | 2      |
| 28                             | BORGMOER                 | 1      |

| NR.                | BESCHRIJVING            | AANTAL |
|--------------------|-------------------------|--------|
| 29                 | REMSCHOENSET (L)        | 1      |
| 30                 | REMSCHOENSET (R)        | 1      |
| 33                 | BORGMOER                | 1      |
| ZADELPENSET (A-10) |                         |        |
| 13                 | SNELSPANNER             | 1      |
| 14                 | MOER SNELSPANNER        | 1      |
| 15                 | AANSLUITING SNELSPANNER | 1      |
| 16                 | VEER SNELSPANNER        | 1      |
| 17                 | SLUITRING               | 1      |
| 18                 | MOF                     | 1      |
| 36                 | ZELFTAPPENDE SCHROEF    | 1      |
| 38                 | RUBBEREN ANTISLIPKUSSEN | 1      |
| AFDEKSET (A-11)    |                         |        |
| 3                  | KRUISKOPSCHROEF         | 1      |
| 9                  | ZELFTAPPENDE SCHROEF    | 2      |
| 11                 | ZELFTAPPENDE SCHROEF    | 2      |
| 32                 | ZESKANTMOER             | 1      |
| 48                 | BINNENSTE KETTINGKAST   | 1      |
| 49                 | SLUITRING               | 4      |
| 51                 | KRUISKOPSCHROEF         | 4      |

| NR.              | BESCHRIJVING                     | AANTAL |
|------------------|----------------------------------|--------|
| 52               | AFSTANDSSTUK VOOR DE KETTINGKAST | 2      |
| 53               | KETTINGKAST VOOR ZWART           | 1      |
| 54               | BUITENSTE KETTINGKAST            | 1      |
| 55               | BAND                             | 1      |
| 57               | KRUISKOPSCHROEF                  | 2      |
| 63               | RUBBEREN STRIPPEN                | 1      |
| PEDAALSET (A-12) |                                  |        |
| 44R              | PEDAAL (R)                       | 1      |
| 44L              | PEDAAL (L)                       | 1      |



## OPENGEWERKTE WEERGAVE GR6



## ONDERDELENLIJST GR6

| NR.                               | BESCHRIJVING               | AANTAL |
|-----------------------------------|----------------------------|--------|
| FRAMEMONTAGE (A-01)               |                            |        |
| 1                                 | FRAME                      | 1      |
| 2                                 | MOF                        | 2      |
| 3                                 | SNELSPANNER                | 1      |
| 4                                 | MOER SNELSPANNER           | 2      |
| 5                                 | SLUITRING                  | 2      |
| 6                                 | AANSLUITING SNELSPANNER    | 2      |
| 7                                 | VEER SNELSPANNER           | 2      |
| 8L                                | VLIEGWIELBEUGELPLAATJE (L) | 1      |
| 8R                                | VLIEGWIELBEUGELPLAATJE (R) | 1      |
| 9                                 | EINDKAP                    | 2      |
| 10                                | INBUSBOUT                  | 1      |
| 11                                | INBUSBOUT                  | 1      |
| 74                                | WATERBIDONHOUDER           | 1      |
| 75                                | KRUISKOPSCHROEF            | 3      |
| 76                                | BESCHERMKAP VOORVORK       | 1      |
| SET SPANNINGSCONTROLEKNOOP (A-02) |                            |        |
| 12                                | SPANNINGSCONTROLE          | 1      |
| 13                                | RICHTMOER                  | 1      |
| 14                                | AFSTANDSSTUK               | 1      |

| NR.                             | BESCHRIJVING   | AANTAL |
|---------------------------------|----------------|--------|
| 15                              | SLUITRING      | 1      |
| 16                              | NYLON RICHTKAP | 1      |
| 17                              | COMPRESSIEVEER | 1      |
| 18                              | NYLON HOUDER   | 2      |
| 19                              | AFSTELMOER     | 1      |
| 21                              | DOPMOER        | 1      |
| STUURSET (A-03)                 |                |        |
| 3                               | SNELSPANNER    | 1      |
| 36                              | STUURPEN       | 1      |
| 37                              | STUUR          | 1      |
| 38                              | SLUITRING      | 2      |
| 80                              | EINDKAP        | 1      |
| AFSTELLINGSSET ZITKUSSEN (A-04) |                |        |
| 3                               | SNELSPANNER    | 1      |
| 38                              | SLUITRING      | 2      |
| 40                              | ZADELSCHUIF    | 1      |
| 41                              | ZADEL          | 1      |
| VLIEGWIELMONTAGE (A-05)         |                |        |
| 42                              | VLIEGWIEL      | 1      |
| 43                              | ALUMINIUM RING | 1      |







| NR.  | BESCHRIJVING      | AANTAL |
|--|-------------------|--------|
| 44   | NAAFAS            | 1      |
| 45   | LAGER             | 4      |
| 46   | NAAFSTANDSSTUK    | 1      |
| 47   | INBUSMOER         | 3      |
| 48   | SLUITRING         | 3      |
| 49   | FLENSMOER         | 2      |
| 50   | INBUSBOUT         | 6      |
| -  | VLIEGWIELSTICKER  | 2      |
| ASSET KRUKAS (A-06)                        |                   |        |
| 51   | ONDERSTE BEUGEL   | 1      |
| 51-1                                       | KRUKASBOUT        | 2      |
| 56   | GROTE RIEMSCHIJF  | 1      |
| 57L  | KRUKAS (L)        | 1      |
| 57R  | KRUKAS (R)        | 1      |
| 57-1                                       | KRUKASKAP         | 2      |
| 63   | INBUSBOUT         | 5      |
| 64   | VEERRING          | 4      |
| 65   | VERGRENDELDE MOER | 4      |
| MONTAGE VAN DE VOORSTE STABILISATOR (A-07) |                   |        |
| 34   | VERGRENDELDE MOER | 2      |

| NR.                            | BESCHRIJVING                     | AANTAL |
|--------------------------------|----------------------------------|--------|
| 66                             | STABILISATOR VOORKANT            | 1      |
| 68                             | VERSTELBARE EGALISEERDER         | 2      |
| 69                             | SLOTBOUT                         | 2      |
| 70                             | TRANSPORTWIEL ZWART              | 2      |
| 71                             | DOPMOER                          | 2      |
| 72                             | SLUITRING                        | 6      |
| 73                             | INBUSBOUT                        | 2      |
| STABILISATOR ACHTERKANT (A-08) |                                  |        |
| 67                             | STABILISATOR ACHTERKANT          | 1      |
| 68                             | VERSTELBARE EGALISEERDER         | 2      |
| 69                             | SLOTBOUT                         | 2      |
| 71                             | DOPMOER                          | 2      |
| 72                             | SLUITRING                        | 2      |
| REMBLOKMONTAGE (A-09)          |                                  |        |
| 20                             | MAGNEET                          | 4      |
| 22                             | MAGNEETBEUGEL                    | 1      |
| 23                             | ONDERSTEUNENDE BASIS VAN WOLVILT | 1      |
| 24                             | MAGNEETBEUGELAFSCHERMING         | 2      |
| 25                             | MAGNETISCHE AFSTELBEUGEL         | 1      |
| 26                             | MAGNETISCHE STEUNBEVESTIGING     | 1      |

| NR.                | BESCHRIJVING            | AANTAL |
|--------------------|-------------------------|--------|
| 27                 | VEERHOUDER              | 1      |
| 28                 | VEER                    | 1      |
| 29                 | REMDEMPING              | 2      |
| 30                 | VERGRENDELDE MOER       | 2      |
| 31                 | KRUISKOPSCHROEF         | 1      |
| 32                 | KRUISKOPSCHROEF         | 2      |
| 33                 | INBUSBOUT               | 4      |
| 34                 | VERGRENDELDE MOER       | 1      |
| 77                 | KRUISKOPSCHROEF         | 1      |
| ZADELPENSET (A-10) |                         |        |
| 39                 | ZADELPEN                | 1      |
| 80                 | EINDKAP                 | 1      |
| AFDEKSET (A-11)    |                         |        |
| 32                 | KRUISKOPSCHROEF         | 3      |
| 52                 | BINNENSTE KETTINGKAST   | 1      |
| 53                 | BAND                    | 1      |
| 54                 | BUITENSTE KETTINGKAST   | 1      |
| 55                 | RUBBEREN ANTISLIPKUSSEN | 1      |
| 59                 | KRUISKOPSCHROEF         | 2      |
| 60                 | SLUITRING               | 5      |

| NR.              | BESCHRIJVING      | AANTAL |
|------------------|-------------------|--------|
| 61               | KRUISKOPSCHROEF   | 4      |
| 62               | SLUITRING         | 4      |
| PEDAALSET (A-12) |                   |        |
| 58R              | RECHTERPEDAAL (R) | 1      |
| 58L              | LINKERPEDAAL (L)  | 1      |





# FONCTIONNEMENT DU VÉLO D'APPARTEMENT



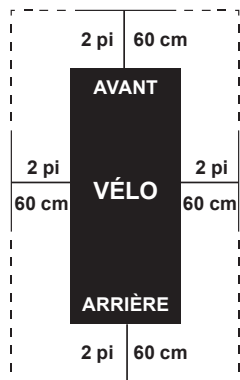


GR3  
GR5  
GR6

## COMMENT DÉPLACER LE VÉLO D'APPARTEMENT

En raison du poids du vélo d'appartement, nous recommandons d'être au moins deux pour le déplacer. Pendant qu'une personne soulève l'arrière du vélo d'appartement, la deuxième tient fermement le guidon et bascule le vélo d'appartement vers l'avant jusqu'à ce qu'il roule à l'aide des roulettes. Déplacez le vélo d'appartement avec précaution jusqu'à l'emplacement voulu, puis baissez-le.

Si le vélo d'appartement est instable une fois installé, tournez les pieds de mise à niveau sous le stabilisateur avant ou arrière jusqu'à ce que le mouvement de bascule disparaisse.

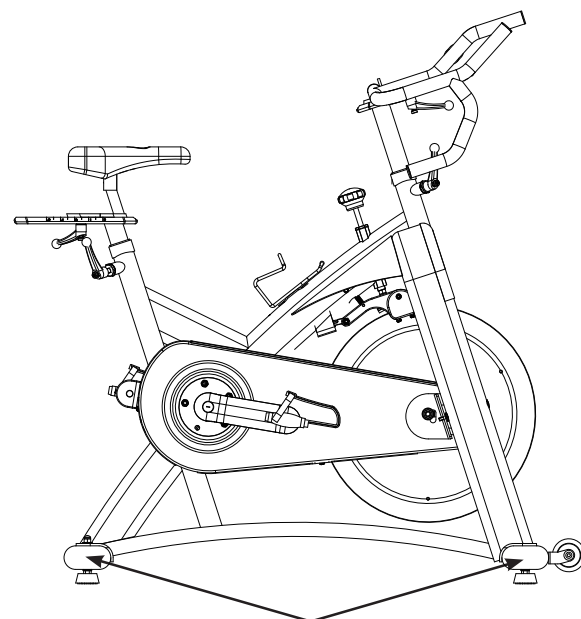


## EMPLACEMENT DU VÉLO D'APPARTEMENT

Installez votre vélo d'appartement sur une surface plane. Une distance de 60 cm doit être respectée autour du vélo d'appartement. Ne placez pas le vélo de façon à bloquer la circulation d'air ou les grilles d'aération. Le vélo d'appartement ne doit pas être placé dans un garage, une véranda, près d'une source d'eau ni à l'extérieur.

## ⚠ AVERTISSEMENT

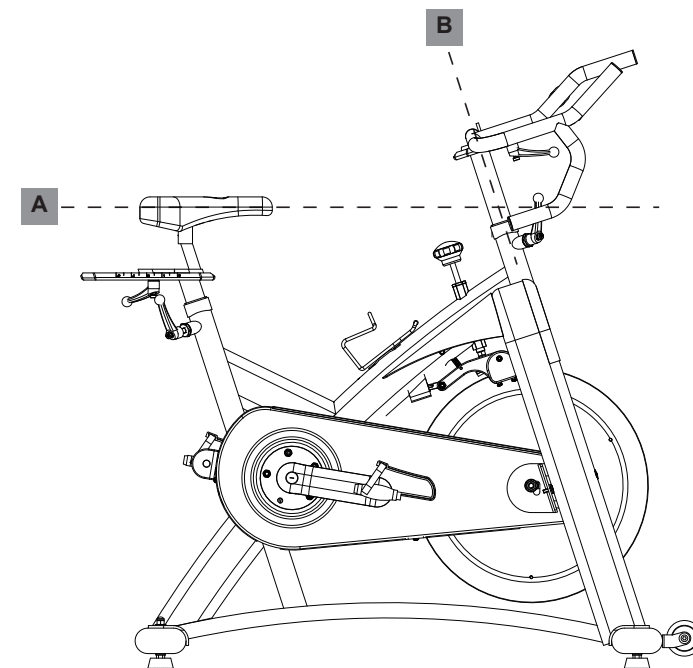
Afin d'écartier tout risque de blessure, faites très attention lorsque vous déplacez le vélo d'appartement. N'essayez pas de le déplacer sur des surfaces irrégulières et assurez-vous de garder une distance de sécurité de 50 cm (minimum) entre le vélo et l'équipement le plus proche.



Pied de mise à niveau  
(VUE D'ENSEMBLE DU GR6)

## COMMENT RÉGLER LE VÉLO D'APPARTEMENT

Le vélo d'appartement peut être réglé pour un confort optimal et un entraînement efficace. Les instructions ci-dessous décrivent une méthode de réglage du vélo d'appartement afin d'optimiser le confort de l'utilisateur et le positionnement du corps idéal ; vous pouvez choisir de régler le vélo d'appartement de différentes façons.



(VUE D'ENSEMBLE DU GR6)

## RÉGLAGE DE LA SELLE

Une hauteur de selle correcte garantit un entraînement d'une efficacité et d'un confort maximum, tout en réduisant le risque de blessure. Ajustez la hauteur de la selle afin de vous assurer qu'elle est dans une position appropriée, une position qui vous permet de garder les genoux légèrement fléchis lorsque votre jambe est étendue.

## RÉGLAGE DU GUIDON

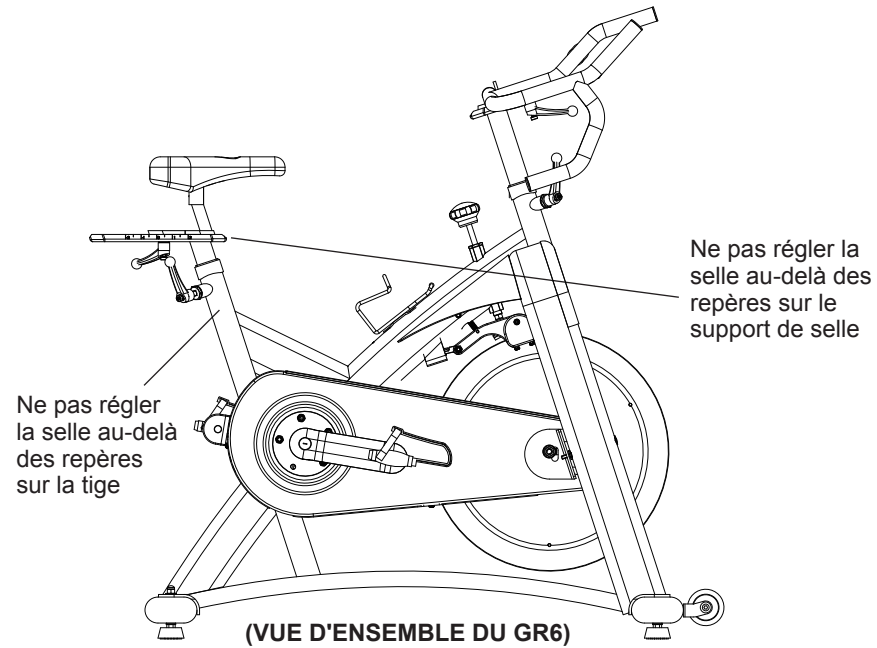
La position appropriée du guidon se base principalement sur le confort. Pour les cyclistes débutants, le guidon est généralement positionné légèrement plus haut que la selle. Les cyclistes avancés peuvent essayer différentes hauteurs pour obtenir la position la plus appropriée.



GR3  
GR5  
GR6



GR3  
GR5  
GR6



(VUE D'ENSEMBLE DU GR6)

### POUR RÉGLER LA HAUTEUR DE LA SELLE :

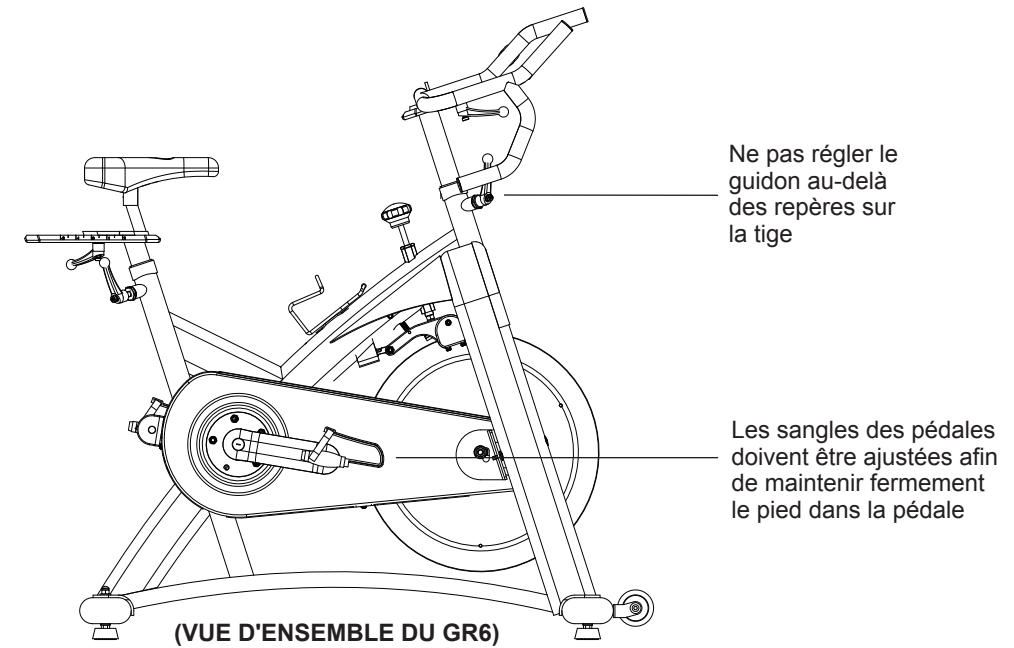
Faites tourner le levier de réglage vers la gauche et ajustez la selle dans une position de pédalage confortable. Faites tourner le levier vers la droite pour verrouiller la position de la selle.

### POUR RÉGLER LA POSITION HORIZONTALE DE LA SELLE :

Faites tourner le levier de réglage vers la gauche pour faire glisser la selle en avant ou en arrière comme vous le souhaitez. Faites tourner le levier vers la droite pour verrouiller la position de la selle. Testez le support de selle pour un fonctionnement correct.



GR3  
GR5  
GR6



(VUE D'ENSEMBLE DU GR6)

### POUR RÉGLER LA HAUTEUR DU GUIDON :

Faites tourner le levier de réglage vers la gauche pour régler la hauteur du guidon. Levez ou abaissez le guidon à la hauteur désirée. Faites tourner le levier vers la droite pour verrouiller la position du guidon.

### POUR RÉGLER LES SANGLES DES PÉDALES :

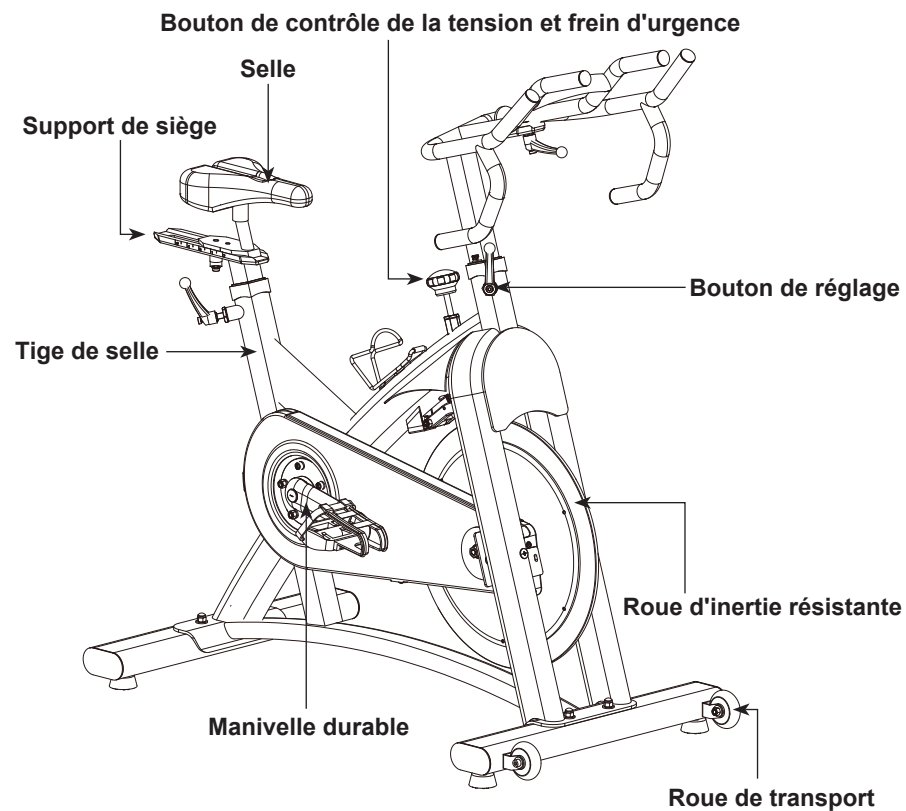
Placez vos chevilles sur la pédale et dans les cale-pieds et assurez-vous que vos chevilles sont centrées au-dessus de l'axe du pédalier (au centre de la pédale). Faites tourner un pied afin qu'il soit à portée de main et tirez sur la sangle du cale-pied. Répétez l'opération pour l'autre pédale. Gardez les genoux alignés avec vos pieds pendant que vous pédalez. Pour retirer le pied du cale-pied, desserrez la sangle et sortez votre pied.



## INFORMATIONS DU MODÈLE



GR6  
VUE  
D'ENSEMBLE



(VUE D'ENSEMBLE DU GR6)

## LES PARTIES PRINCIPALES COMPRENNENT :

- 1 cadre principal
- Stabilisateur avant et arrière
- Guidon
- Ensemble de support du guidon (uniquement GR6)
- Ensemble de tige de selle
- Ensemble de pédalier

## L'EMBALLAGE DES PIÈCES COMPREND :

- 1 boîte de pièces
- 1 guide d'utilisation

## AVANT LE MONTAGE

### DÉBALLAGE

En raison du poids du vélo d'appartement, **nous recommandons d'être au moins deux pour le montage**. Installez le vélo d'appartement dans un endroit dégagé et sortez toutes les pièces de l'emballage ; ne jetez pas les produits d'emballage avant d'avoir terminé le montage.

REMARQUE : À chaque étape du montage, assurez-vous que TOUS les écrous et les boulons sont bien mis en place et qu'ils sont partiellement serrés avant de serrer à fond UN SEUL boulon.

REMARQUE : Vous pouvez appliquer une légère couche de graisse pour une installation plus facile de l'appareil. Tout type de graisse, telle que de la graisse au lithium, est conseillé.

### BESOIN D'AIDE ?

Pour toute question ou si une pièce est manquante, contactez votre revendeur local. Les coordonnées de l'assistance technique se trouvent au dos de ce guide ou sur la carte de garantie.



GR3  
GR5  
GR6

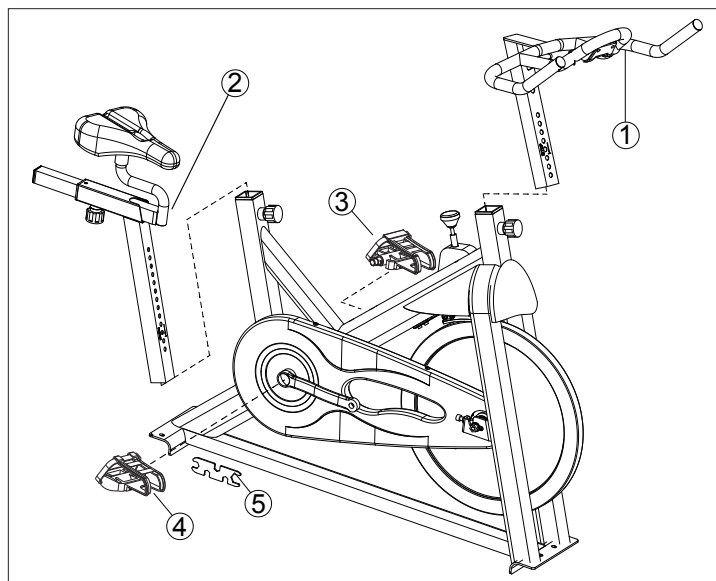
## GR3 MONTAGE ÉTAPE 1



GR3

### SACHET DE VISSERIE POUR ÉTAPE DE MONTAGE 1 :

| N° | DESCRIPTION   | QTÉ |
|----|---------------|-----|
| 1  | GUIDON        | 1   |
| 2  | TIGE DE SELLE | 1   |
| 3  | PÉDALE GAUCHE | 1   |
| 4  | PÉDALE DROITE | 1   |
| 5  | CLÉ MIXTE     | 1   |



A Installez le **GUIDON (1)** dans le récepteur du châssis et fixez-le avec le bouton.

B Installez la **TIGE DE SELLE (2)** dans le récepteur du châssis et fixez-le avec le bouton.

C Enfilez la **PÉDALE GAUCHE (3)** sur l'axe de laquelle figure un « L » sur le bras gauche du vélo en utilisant la **CLÉ MIXTE (5)**. Veuillez noter que la pédale L a un filetage à gauche qui doit être tourné vers la gauche pour être serré.

D Enfilez la **PÉDALE DROITE (4)** sur l'axe de laquelle figure un « R » sur le bras droit du vélo en utilisant la **CLÉ MIXTE (5)**. Veuillez noter que la pédale R a un filetage à droite qui doit être tourné vers la droite pour être serré.

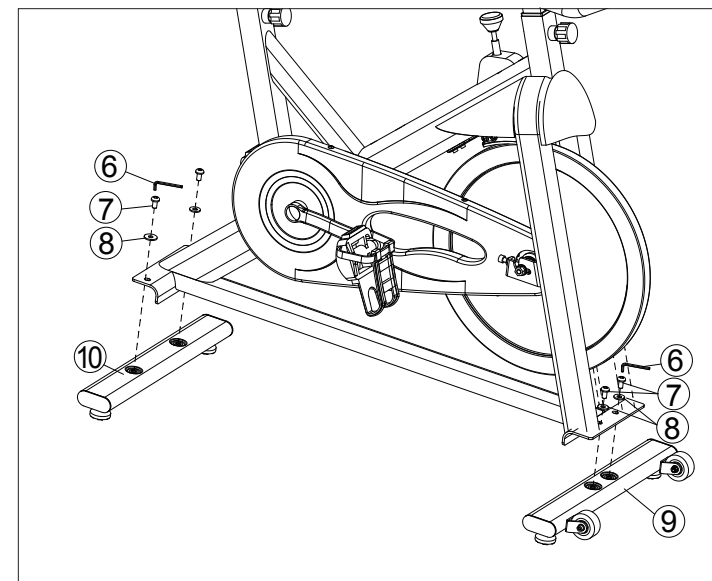
## GR3 MONTAGE ÉTAPE 2



GR3

### SACHET DE VISSERIE POUR ÉTAPE DE MONTAGE 2 :

| N° | DESCRIPTION                     | QTÉ |
|----|---------------------------------|-----|
| 6  | CLÉ ALLEN                       | 1   |
| 7  | VIS À SIX PANS CREUX (M8 X 16L) | 8   |
| 8  | RONDELLES                       | 8   |
| 9  | STABILISATEUR AVANT             | 1   |
| 10 | STABILISATEUR ARRIÈRE           | 1   |



A Fixez le **STABILISATEUR AVANT (9)** sur le châssis à l'aide de 2 **VIS À SIX PANS CREUX (7)** et 2 **RONDELLES (8)** et serrez-les fermement avec la **CLÉ ALLEN (6)**.

B Fixez le **STABILISATEUR ARRIÈRE (10)** sur le châssis à l'aide de 2 **VIS À SIX PANS CREUX (7)** et 2 **RONDELLES (8)** et serrez-les fermement avec la **CLÉ ALLEN (6)**.

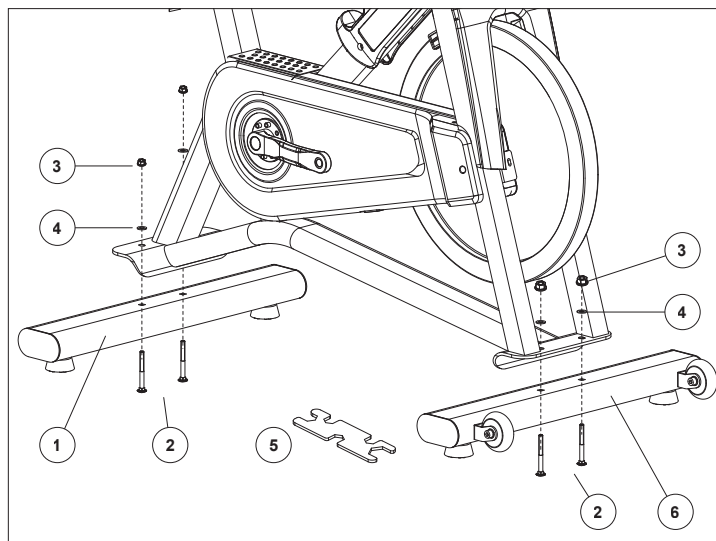
## GR5 MONTAGE ÉTAPE 1



GR5

### SACHET DE VISSERIE POUR ÉTAPE DE MONTAGE 1 :

| N° | DESCRIPTION           | QTÉ |
|----|-----------------------|-----|
| 1  | STABILISATEUR ARRIÈRE | 1   |
| 2  | VIS                   | 4   |
| 3  | ÉCROUS                | 4   |
| 4  | RONDELLES             | 4   |
| 5  | CLÉ                   | 1   |
| 6  | STABILISATEUR AVANT   | 1   |



- A Fixez le **STABILISATEUR ARRIÈRE (1)** sur le châssis à l'aide de 2 **ÉCROUS (3)**, 2 **RONDELLES (4)** et 2 **VIS (2)** et serrez-les solidement avec la **clé (5)** ajustable.
- B Fixez le **STABILISATEUR AVANT (6)** sur le châssis à l'aide de 2 **ÉCROUS (3)**, 2 **RONDELLES (4)** et 2 **VIS (2)** et serrez-les solidement avec la **CLÉ (5)** ajustable.

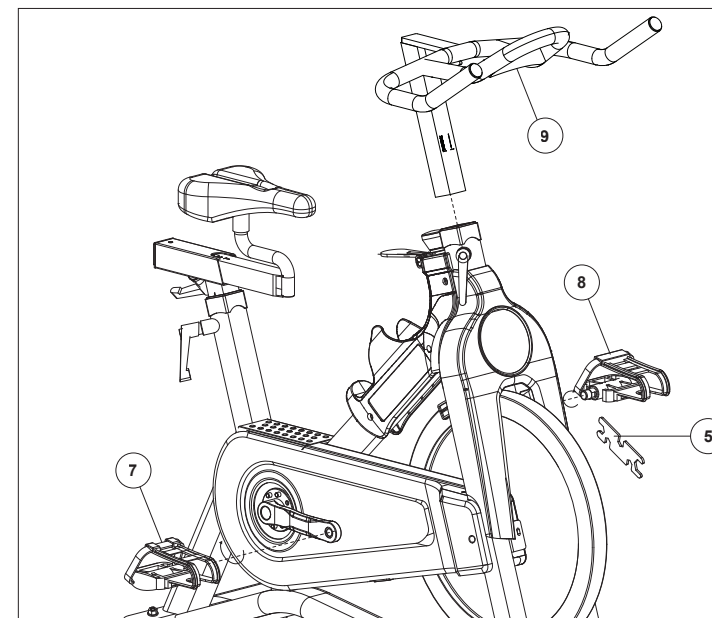
## GR5 MONTAGE ÉTAPE 2



GR5

### SACHET DE VISSERIE POUR ÉTAPE DE MONTAGE 2 :

| N° | DESCRIPTION   | QTÉ |
|----|---------------|-----|
| 5  | CLÉ           | 1   |
| 7  | PÉDALE DROITE | 1   |
| 8  | PÉDALE GAUCHE | 1   |
| 9  | GUIDON        | 1   |



- A Enfilez la **PÉDALE GAUCHE (8)** sur l'axe de laquelle figure un « L » sur le bras gauche du vélo en utilisant la **CLÉ (5)** ajustable. Veuillez noter que la pédale L a un filetage à gauche qui doit être tourné **vers la gauche** pour être serré.
- B Enfilez la **PÉDALE DROITE (7)** sur l'axe de laquelle figure un « R » sur le bras droit du vélo en utilisant la **CLÉ (5)** ajustable. Veuillez noter que la pédale R a un filetage à droite qui doit être tourné **vers la droite** pour être serré.
- C Installez le **GUIDON (9)** dans le récepteur du châssis et fixez-le avec l'attache rapide.



## GR6 MONTAGE ÉTAPE 1

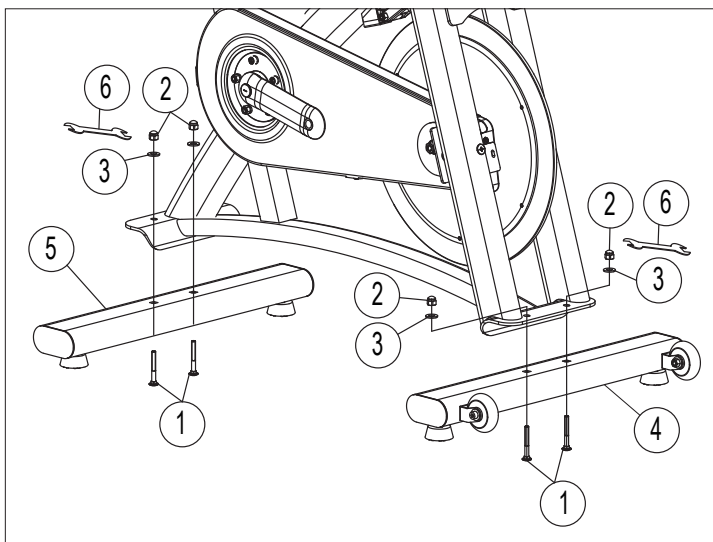


GR6

### SACHET DE VISSERIE POUR ÉTAPE DE MONTAGE 1 :

| N° | DESCRIPTION           | QTÉ |
|----|-----------------------|-----|
| 1  | VIS                   | 4   |
| 2  | ÉCROUS                | 4   |
| 3  | RONDELLES (M8)        | 4   |
| 4  | STABILISATEUR AVANT   | 1   |
| 5  | STABILISATEUR ARRIÈRE | 1   |
| 6  | CLÉ                   | 1   |

- A Fixez le **STABILISATEUR AVANT (4)** et le **STABILISATEUR ARRIÈRE (5)** sur le châssis à l'aide de 4 **ÉCROUS (1)**, 4 **RONDELLES (3)** et 4 **VIS (2)** et serrez-les solidement avec la **CLÉ (6)**.



FRANÇAIS

112

## GR6 MONTAGE ÉTAPE 2

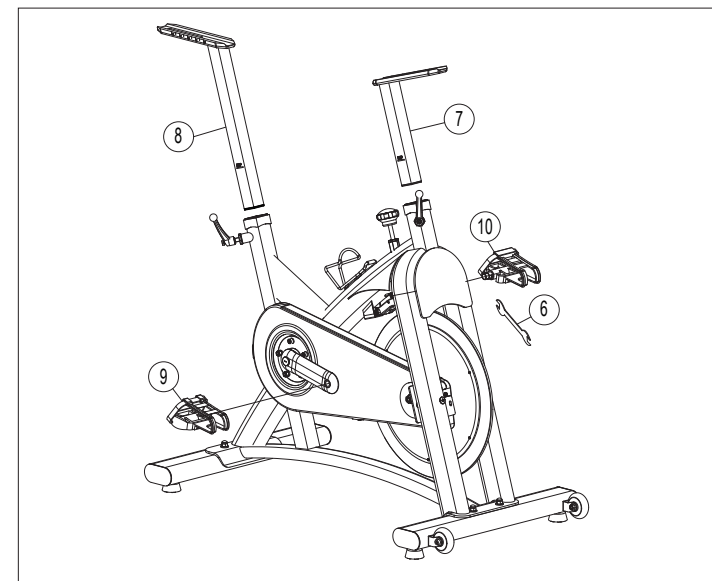


GR6

### SACHET DE VISSERIE POUR ÉTAPE DE MONTAGE 2 :

| N° | DESCRIPTION       | QTÉ |
|----|-------------------|-----|
| 6  | CLÉ               | 1   |
| 7  | SUPPORT DE GUIDON | 1   |
| 8  | TIGE DE SELLE     | 1   |
| 9  | PÉDALE DROITE     | 1   |
| 10 | PÉDALE GAUCHE     | 1   |

- A Enfilez la **PÉDALE GAUCHE (10)** sur l'axe de laquelle figure un « L » sur le bras gauche du vélo en utilisant la **CLÉ (6)**. Veuillez noter que la pédale L a un filetage à gauche qui doit être tourné vers la gauche pour être serré.
- B Enfilez la **PÉDALE DROITE (9)** sur l'axe de laquelle figure un « R » sur le bras droit du vélo en utilisant la **CLÉ MIXTE (6)**. Veuillez noter que la pédale R a un filetage à droite qui doit être tourné vers la droite pour être serré.
- C Installez le **SUPPORT DE GUIDON (7)** dans le récepteur du châssis et fixez-le avec l'attache rapide.
- D Installez la **TIGE DE SELLE (8)** dans le récepteur du châssis et fixez-la avec l'attache rapide.



FRANÇAIS

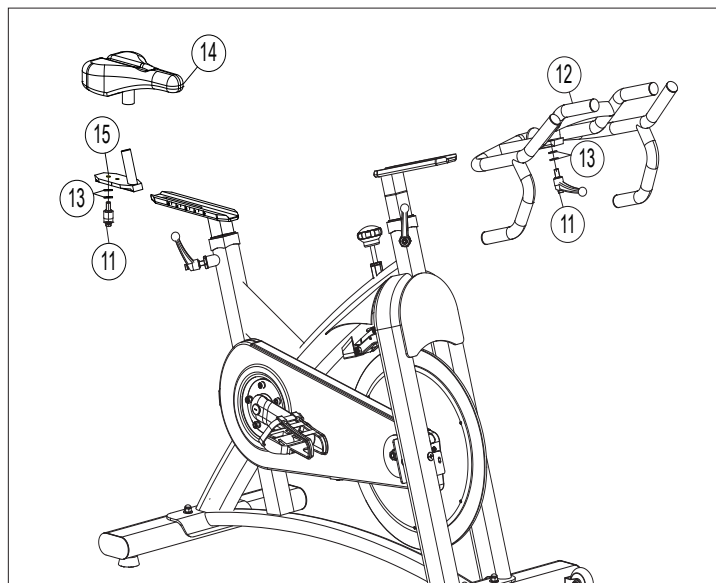
113

## GR6 MONTAGE ÉTAPE 3



GR6

| SACHET DE VISSERIE POUR ÉTAPE DE MONTAGE 3 : |                  |     |
|--|------------------|-----|
| N°   | DESCRIPTION      | QTÉ |
| 11   | ATTACHE RAPIDE   | 2   |
| 12   | GUIDON           | 1   |
| 13   | RONDELLES (M10)  | 4   |
| 14   | SELLE            | 1   |
| 15   | SUPPORT DE SIÈGE | 1   |



- A Installez le **GUIDON (12)** dans le récepteur du support de guidon à l'aide de 2 **RONDELLES (13)** et serrez-les avec **L'ATTACHE RAPIDE (11)**.
- B Installez la **SELLE (14)** dans le récepteur de **SUPPORT DE SIÈGE (15)** et serrez-la avec la clé.
- C Fixez le **SUPPORT DE SIÈGE (15)** à la **TIGE DE SELLE (8)** à l'aide de 2 **RONDELLES (13)** et serrez-les avec **L'ATTACHE RAPIDE (11)**.

# DÉPANNAGE ET MAINTENANCE



## QUESTIONS FRÉQUENTES RELATIVES AU PRODUIT



### LES SONS QUE FAIT MON Vélo D'appartement SONT-ILS NORMAUX ?

Nos vélos d'appartement figurent parmi les plus silencieux du marché, car ils fonctionnent avec un entraînement par courroie et une résistance de freinage cantilever. Nous utilisons des roulements et des chaînes/courroies de la plus haute qualité pour limiter le bruit. Cependant, puisque le système de résistance est si silencieux, vous pourrez entendre d'autres petits bruits mécaniques de temps en temps. Contrairement aux technologies plus anciennes et plus bruyantes, aucun bruit de ventilateurs, de frottement de courroies ou d'alternateurs ne vient masquer ces bruits sur nos vélos d'appartement. Ces bruits mécaniques, qui peuvent être intermittents ou non, sont normaux et sont provoqués par le transfert de grandes quantités d'énergie vers une roue d'inertie qui tourne rapidement. Tous les roulements, chaînes/courroies et autres pièces en mouvement émettent des bruits qui seront retransmis via le boîtier et le châssis. Il est également normal que ces bruits changent légèrement au cours d'un entraînement et au fil du temps en raison de la dilatation thermique des pièces.

### POURQUOI LE Vélo D'appartement QUE J'AI ACHETÉ EST-IL PLUS BRUYANT QUE CELUI PRÉSENTÉ EN MAGASIN ?

Tous les produits de remise en forme exposés en salle d'exposition semblent toujours être plus silencieux car le bruit de fond y est plus élevé que chez vous. La réverbération acoustique est également moindre sur un sol en béton recouvert de moquette que sur un parquet. L'installation d'un tapis épais en caoutchouc sous l'appareil peut aider à réduire la réverbération à travers le sol. Si un appareil de remise en forme est placé près d'un mur, cela risque d'amplifier les bruits par un effet tambour.

### QUELLE EST LA DURÉE DE VIE DE LA COURROIE ?

La modélisation informatique que nous avons réalisée a indiqué pratiquement des milliers d'heures d'utilisation sans maintenance. Vous ne devriez jamais avoir à changer la courroie de votre vélo d'appartement.

### EST-IL POSSIBLE DE DÉPLACER FACILEMENT LE Vélo D'appartement UNE FOIS QU'IL EST MONTÉ ?

Votre vélo d'appartement est équipé d'une paire de roulettes de transport intégrées dans la barre stabilisatrice avant. Veuillez consulter la section Déplacement du vélo d'appartement avant de déplacer votre appareil. Il est important de placer votre vélo d'appartement dans une pièce confortable et accueillante. Votre vélo d'appartement est conçu pour prendre le moins de place possible au sol. Beaucoup de gens positionnent leur vélo d'appartement devant la télévision ou face à une baie vitrée. Dans la mesure du possible, évitez de placer votre vélo d'appartement dans un sous-sol non aménagé. Pour que l'entraînement devienne une activité quotidienne agréable, votre vélo d'appartement doit être placé dans un environnement confortable.

## DÉPANNAGE

**PROBLÈME** : le vélo d'appartement émet des grincements ou des grésillements.

**SOLUTION** : effectuez les vérifications suivantes :

- Assurez-vous que votre vélo d'appartement est installé sur une surface plane.
- Desserrez tous les boulons fixés au cours du montage, graissez les filetages et serrez à nouveau les boulons.

Si le problème subsiste, vous pouvez  
**CONTACTER L'ASSISTANCE TECHNIQUE AU NUMÉRO FIGURANT SUR LA CARTE D'INFORMATION.**

Lors de votre appel, vous devrez probablement fournir les renseignements ci-après. Veuillez préparer les informations suivantes :

- Nom du modèle
- Numéro de série
- Preuve d'achat (facture ou relevé de carte bancaire)

Pour davantage de conseils sur le dépannage, consultez la rubrique Assistance client de notre site Internet. Contactez le service client en utilisant les informations figurant sur la CARTE D'INFORMATION.

Afin de pouvoir réparer votre vélo d'appartement, l'assistance technique vous demandera probablement des informations détaillées relatives au problème que vous rencontrez. Les questions pouvant être posées sont les suivantes :

- Depuis combien de temps rencontrez-vous ce problème ?
- Le problème se répète-t-il à chaque utilisation ? Avec tous les utilisateurs ?
- Si vous entendez un bruit gênant, provient-il de l'avant ou de l'arrière de l'appareil ? De quel type de bruit s'agit-il (bruit sourd, grincement, son aigu, sifflement, etc.) ?
- L'appareil a-t-il été lubrifié et entretenu conformément au programme d'entretien ?

Les réponses à ces questions et à d'autres questions permettront aux techniciens d'envoyer les pièces de rechange adéquates, d'effectuer l'intervention nécessaire au bon fonctionnement de votre vélo d'appartement et de vous faire reprendre votre entraînement !



## MAINTENANCE

Le vélo d'appartement doit faire l'objet d'un contrôle régulier à la recherche de dommages et marques d'usure pour maintenir un degré élevé de sécurité. Les éléments qui ne peuvent pas être réparés devront être remplacés et le matériel ne devra pas être utilisé avant la fin de ces réparations.

### QUOTIDIENNE

- Essuyez le vélo d'appartement après chaque utilisation pour enlever la sueur et l'humidité. Utilisez du savon et de l'eau ou une solution nettoyante non abrasive diluée. Rincez le vélo pour enlever les résidus de détergent, puis séchez-le.
- Avant chaque séance, vérifiez que tous les composants tels que les pédales ou les manivelles sont bien serrés. Resserrez les pièces desserrées.

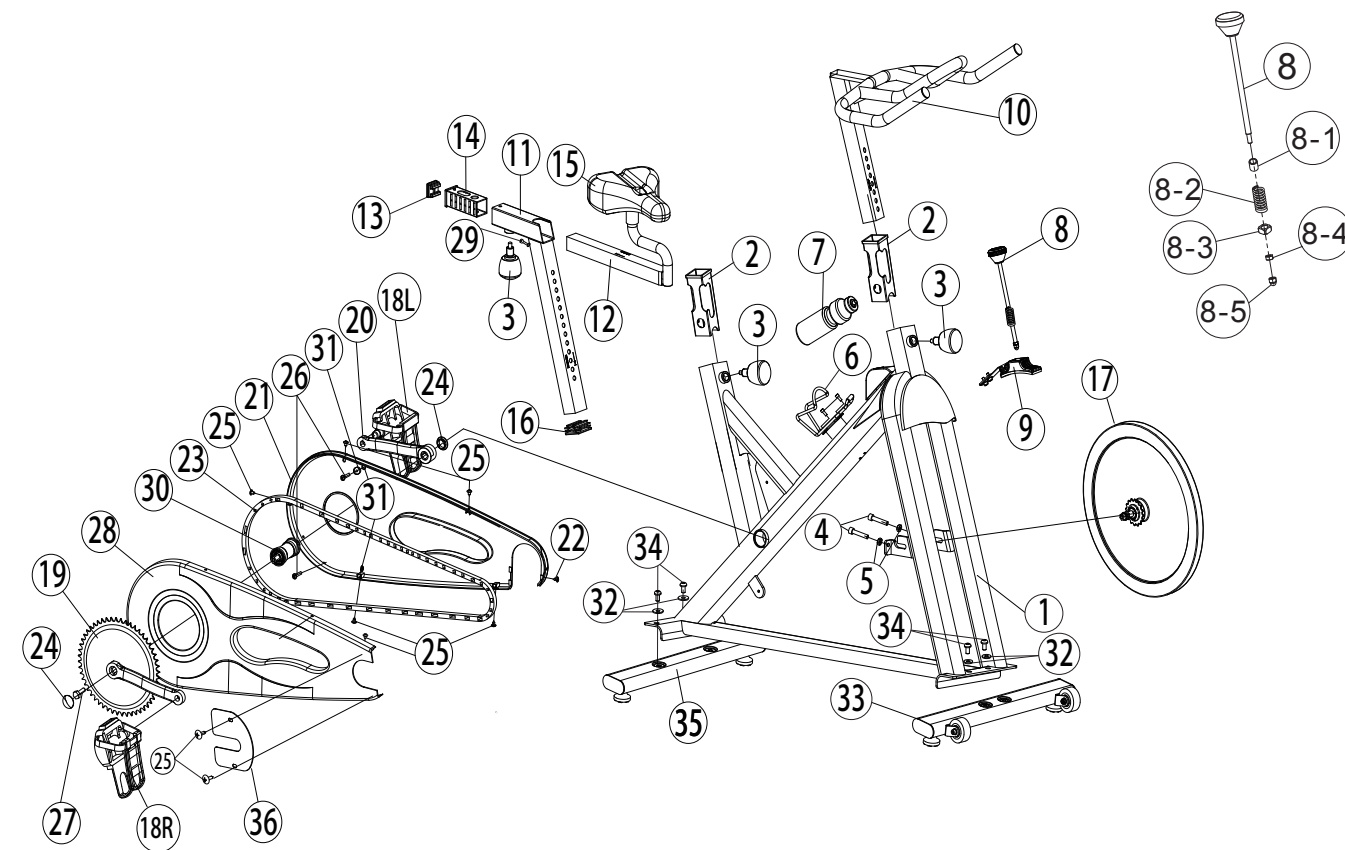
### HEBDOMADAIRE

- Vérifiez le bon alignement de la roue d'inertie. Resserrez les écrous de la roue d'inertie le cas échéant.
- Retirez le garde-chaîne et vérifiez que la chaîne est lâche. Ajustez et lubrifiez la chaîne si nécessaire.
- Vérifiez que les bras sont bien serrés au pédalier.
- Vérifiez si les pièces, les écrous, les boulons ou les vis ont besoin d'être ajustés, remplacés ou réparés.

### MENSUELLE

- Vérifiez la présence de rouille ou de corrosion sur les pièces du châssis et de montage. Inclinez le vélo ou retournez-le pour localiser les zones où la rouille et la corrosion peuvent se développer. Utilisez une petite brosse métallique pour enlever l'accumulation de rouille dans les petits interstices, comme les pieds de mise à niveau, les leviers d'attache rapide et d'autres ensembles de boulons.
- Inspectez tous les éléments soumis à l'usure pour voir s'ils ont besoin d'être ajustés ou éventuellement remplacés. Portez une attention toute particulière aux éléments suivants :
  - A) Inspectez l'état d'usure des patins de frein. Une usure ou sécheresse excessive indique qu'un remplacement est nécessaire.
  - B) Inspectez l'état d'usure du siège. Les déchirures ou un mouvement excessif indiquent qu'un remplacement est nécessaire.
  - C) Vérifiez le fonctionnement des pédales. Un mouvement excessif des pédales indique qu'un remplacement est nécessaire.
- Inspectez la tension de la chaîne en tournant la manivelle pour entraîner la roue d'inertie vers l'avant. Effectuez ce mouvement de 1/4 de tour pour évaluer s'il y a du jeu entre la manivelle et la roue d'inertie.
- La sécheresse ou une utilisation prolongée peuvent entraîner des ajustements de hauteur et de portée afin de serrer le siège et le guidon. Si tel est le cas, l'ensemble coulissant doit être retiré du châssis et de la graisse doit être appliquée le long de la surface coulissante avant le montage. De même, appliquez un peu de graisse sur l'ensemble de fixation pour s'assurer qu'il n'accroche pas. Nettoyez l'excès de graisse avant le remontage.
- Veuillez graisser la tige de selle, le patin de frein et le réglage du guidon régulièrement avec le lubrifiant fourni avec les pièces.

## VUE ÉCLATÉE DU MODÈLE GR3



## LISTE DES PIÈCES GR3

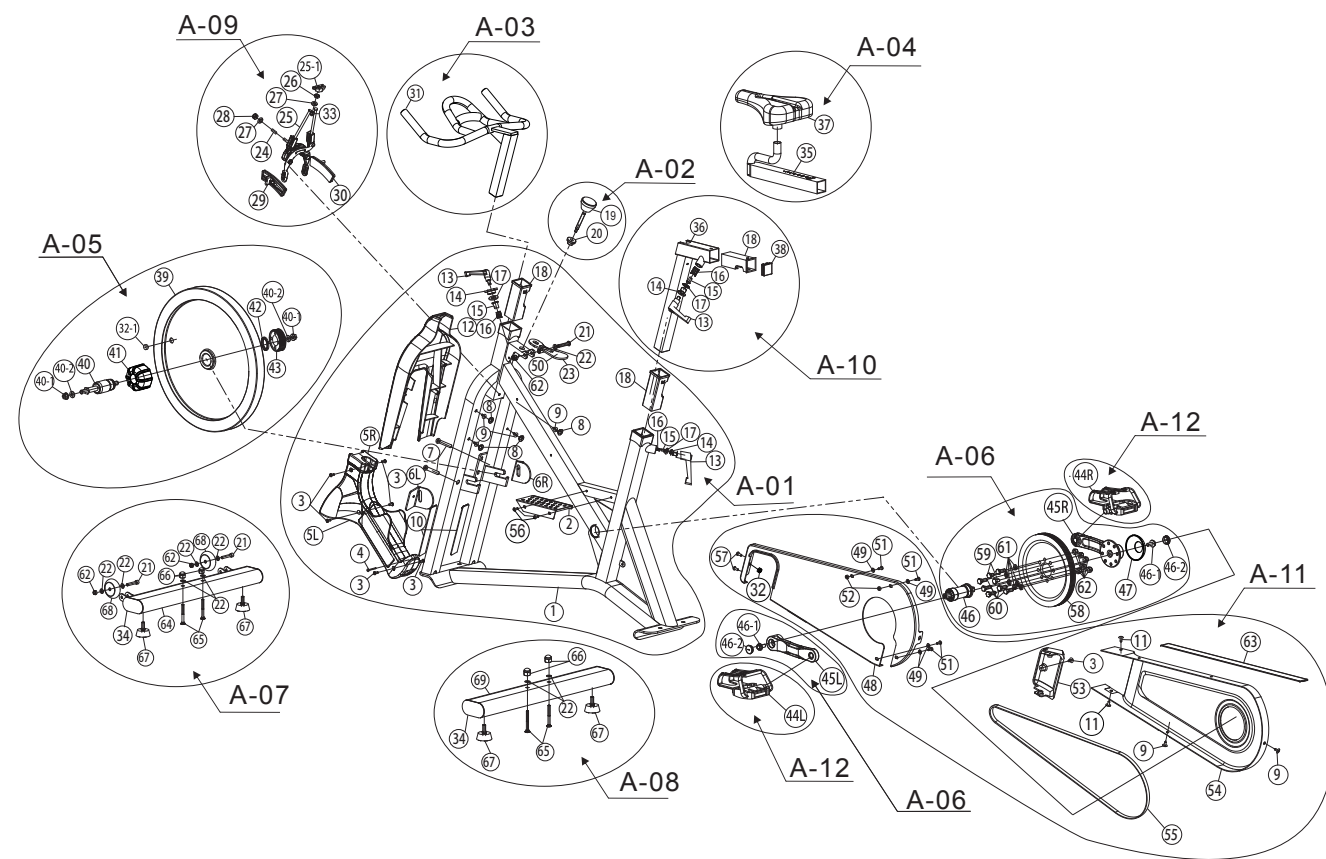
| N°            | DESCRIPTION                       | QTÉ    |   |
|---------------|-----------------------------------|--------|---|
| CHÂSSIS       |                                   |        |   |
| 1             | CHÂSSIS                           | 1      |   |
| 2             | MANCHON                           | 2      |   |
| 3             | BOUTON DE RÉGLAGE                 | 3      |   |
| 4             | VIS À SIX PANS CREUX              | 2      |   |
| 5             | ÉCROU HEXAGONAL                   | 2      |   |
| 6             | PORTE-BOUEILLE                    | 1      |   |
| 7             | BOUEILLE                          | 1      |   |
| FREIN         |                                   |        |   |
| 8             | CONTRÔLE DE TENSION               | 1      |   |
| 8-1           | ENTRETOISE                        | 1      |   |
| 8-2           | RESSORT DE COMPRESSION HÉLICOÏDAL | 1      |   |
| 8-3           | ÉCROU CARRÉ                       | Φ13*5T | 1 |
| 8-4           | ÉCROU HEXAGONAL                   | M6     | 1 |
| 8-5           | ÉCROU À CAPUCHON                  | M6     | 1 |
| 9             | ENSEMBLE DE PATINS DE FREIN       | 1      |   |
| GUIDON        |                                   |        |   |
| 10            | GUIDON                            | 1      |   |
| TIGE DE SELLE |                                   |        |   |
| 11            | TIGE DE SELLE                     | 1      |   |

| N°             | DESCRIPTION                             | QTÉ |
|----------------|---|-----|
| 12             | SUPPORT DE SIÈGE                        | 1   |
| 13             | EMBOUT                                  | 1   |
| 14             | MANCHON                                 | 1   |
| 15             | SELLE                                   | 1   |
| 16             | EMBOUT                                  | 1   |
| ROUE D'INERTIE |   |     |
| 17             | ENSEMBLE DE ROUE D'INERTIE              | 1   |
| TRANSMISSION   |   |     |
| 18R            | PÉDALE (R)                              | 1   |
| 18L            | PÉDALE (L)                              | 1   |
| 19             | CHAÎNE DE TRANSMISSION - CP             | 1   |
| 20             | MANIVELLE - CP                          | 1   |
| 21             | GARDE-CHAÎNE INTÉRIEUR                  | 1   |
| 22             | VIS AUTO-TARAUEUSE                      | 1   |
| 23             | CHAÎNE                                  | 1   |
| 24             | CAPUCHON DE MANIVELLE                   | 2   |
| 25             | VIS AUTO-TARAUEUSE                      | 8   |
| 26             | VIS AUTO-TARAUEUSE                      | 2   |
| 27             | VIS BB                                  | 2   |
| 28             | GARDE-CHAÎNE EXTÉRIEUR SANS AUTOCOLLANT | 1   |

| N°                    | DESCRIPTION                   | QTÉ |
|-----------------------|-------------------------------|-----|
| 29                    | VIS À SIX PANS CREUX          | 1   |
| 30                    | SUPPORT INFÉRIEUR             | 1   |
| 31                    | ENTRETOISE DE GARDE-CHAÎNE    | 6   |
| STABILISATEUR AVANT   |                               |     |
| 32                    | RONDELLE                      | 4   |
| 33                    | STABILISATEUR AVANT           | 1   |
| 34                    | VIS À SIX PANS CREUX          | 4   |
| STABILISATEUR ARRIÈRE |                               |     |
| 35                    | STABILISATEUR ARRIÈRE         | 1   |
| 36                    | CACHE DE PROTECTION DE CHAÎNE | 1   |



## VUE ÉCLATÉE DU MODÈLE GR5



## LISTE DES PIÈCES GR5

| N°                         | DESCRIPTION                           | QTÉ |
|----------------------------|---------------------------------------|-----|
| ENSEMBLE DE CHÂSSIS (A-01) |                                       |     |
| 1                          | CHÂSSIS                               | 1   |
| 2                          | PLAQUE EN ACIER INOXYDABLE            | 1   |
| 3                          | VIS CRUCIFORME                        | 6   |
| 4                          | VIS AUTO-TARAUDEUSE                   | 1   |
| 5L                         | PROTECTION ANTI-TRANSPIRATION (L)     | 1   |
| 5R                         | PROTECTION ANTI-TRANSPIRATION (R)     | 1   |
| 6L                         | PLAQUE DROP-OUT DE ROUE D'INERTIE (L) | 1   |
| 6R                         | PLAQUE DROP-OUT DE ROUE D'INERTIE (R) | 1   |
| 7                          | VIS À SIX PANS CREUX                  | 2   |
| 8                          | EMBOUIT                               | 4   |
| 9                          | VIS AUTO-TARAUDEUSE                   | 4   |
| 10                         | TAMPON EN CAOUTCHOUC ANTIDÉRAPANT     | 2   |
| 12                         | CACHE DÉCORATIF AVANT                 | 1   |
| 13                         | ATTACHE RAPIDE                        | 2   |
| 14                         | ÉCROU DE FIXATION RAPIDE              | 2   |
| 15                         | RÉCEPTEUR DE FIXATION RAPIDE          | 2   |
| 16                         | RESSORT DE FIXATION RAPIDE            | 2   |
| 17                         | RONDELLE                              | 2   |
| 18                         | MANCHON                               | 2   |

| N°   | DESCRIPTION                    | QTÉ         |   |
|--|--------------------------------|-------------|---|
| 21   | VIS À SIX PANS CREUX           | 1           |   |
| 22   | RONDELLE                       | 1           |   |
| 23   | MANETTE D'URGENCE              | 1           |   |
| 50   | ÉTIQUETTE DE MANETTE D'URGENCE | 1           |   |
| 56   | VIS AUTO-TARAUDEUSE            | 2           |   |
| 62   | ÉCROU DE SERRAGE               | 1           |   |
| ENSEMBLE DE BOUTON DE CONTRÔLE DE TENSION (A-02) |                                |             |   |
| 19   | BOUTON DE CONTRÔLE DE TENSION  | 1           |   |
| 20   | ENTRETOISE                     | 1           |   |
| ENSEMBLE DE GUIDON (A-03)                        |                                |             |   |
| 31   | GUIDON                         | 1           |   |
| ENSEMBLE DE RÉGLAGE DE SIÈGE (A-04)              |                                |             |   |
| 35   | SUPPORT DE SIÈGE               | 1           |   |
| 37   | SELLE                          | 1           |   |
| ENSEMBLE DE ROUE D'INERTIE (A-05)                |                                |             |   |
| 32-1   | AIMANT                         | 1           |   |
| 39   | ROUE D'INERTIE                 | 1           |   |
| 40   | ENSEMBLE DE MOYEU              | 1           |   |
| 40-1   | ÉCROU À FLASQUE                | 2           |   |
| 40-2   | RONDELLE                       | Φ10*Φ21*2.0 | 2 |



| N°                                     | DESCRIPTION                    | QTÉ |
|--|--------------------------------|-----|
| 41                                     | CACHE DE MOYEU                 | 1   |
| 42                                     | BAGUE DE SERRAGE               | 1   |
| 43                                     | PETITE POULIE                  | 1   |
| -                                      | ÉTIQUETTE DE LA ROUE D'INERTIE | 2   |
| ENSEMBLE D'AXE DU PÉDALIER (A-06)      |                                |     |
| 45L                                    | MANIVELLE (L)                  | 1   |
| 45R                                    | MANIVELLE (R)                  | 1   |
| 46                                     | SUPPORT INFÉRIEUR              | 1   |
| 46-1                                   | ÉCROU BB M10*1.5               | 2   |
| 46-2                                   | CAPUCHON DE MANIVELLE          | 2   |
| 47                                     | CAPUCHON DE BOULON DE BRIDE    | 1   |
| 58                                     | GRANDE POULIE                  | 1   |
| 59                                     | VIS À SIX PANS CREUX           | 2   |
| 60                                     | VIS À SIX PANS CREUX           | 6   |
| 61                                     | RONDELLE ÉLASTIQUE             | 6   |
| 62                                     | ÉCROU DE SERRAGE               | 6   |
| ENSEMBLE DE STABILISATEUR AVANT (A-07) |                                |     |
| 21                                     | VIS À SIX PANS CREUX           | 2   |
| 22                                     | RONDELLE                       | 6   |
| 34                                     | ÉTIQUETTE DE STABILISATEUR     | 2   |

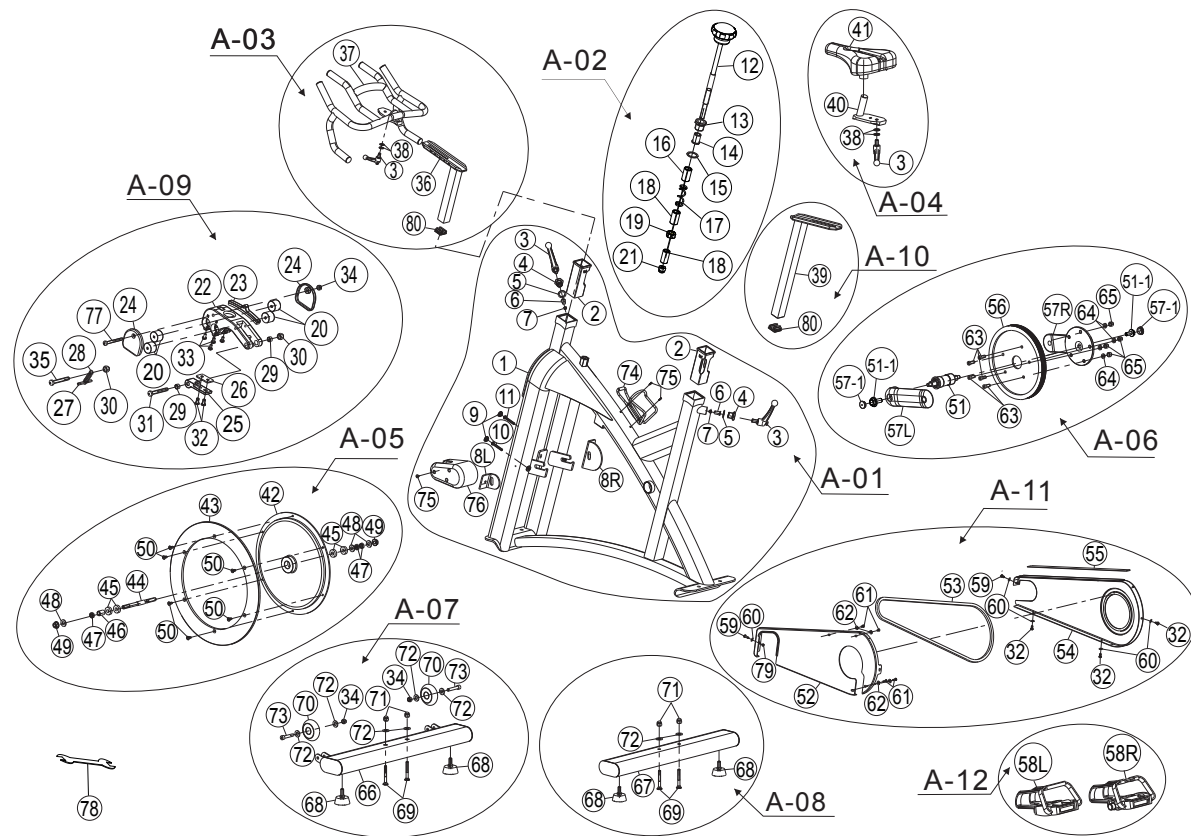
| N°                                       | DESCRIPTION                | QTÉ |
|--|----------------------------|-----|
| 62                                       | ÉCROU DE SERRAGE           | 2   |
| 64                                       | STABILISATEUR AVANT        | 1   |
| 65                                       | BOULON À TÊTE RONDE        | 2   |
| 66                                       | ÉCROU À CAPUCHON           | 2   |
| 67                                       | PIEDS RÉGLABLES            | 2   |
| 68                                       | ROUE DE TRANSPORT NOIRE    | 2   |
| ENSEMBLE DE STABILISATEUR ARRIÈRE (A-08) |                            |     |
| 22                                       | RONDELLE                   | 2   |
| 34                                       | ÉTIQUETTE DE STABILISATEUR | 2   |
| 65                                       | BOULON À TÊTE RONDE        | 2   |
| 66                                       | ÉCROU À CAPUCHON           | 2   |
| 67                                       | PIEDS RÉGLABLES            | 2   |
| 69                                       | STABILISATEUR ARRIÈRE      | 1   |
| ENSEMBLE DE PATIN DE FREIN (A-09)        |                            |     |
| 24                                       | PASSE-CÂBLE ACOUSTIQUE     | 1   |
| 25                                       | ÉTRIER                     | 1   |
| 25-1                                     | PIÈCE D'ARRÊT              | 1   |
| 26                                       | ÉCROU CARRÉ                | 1   |
| 27                                       | RONDELLE                   | 2   |
| 28                                       | ÉCROU DE SERRAGE           | 1   |

| N°                               | DESCRIPTION                        | QTÉ |
|----------------------------------|------------------------------------|-----|
| 29                               | ENSEMBLE DE MÂCHOIRES DE FREIN (L) | 1   |
| 30                               | ENSEMBLE DE MÂCHOIRES DE FREIN (R) | 1   |
| 33                               | ÉCROU DE SERRAGE                   | 1   |
| ENSEMBLE DE TIGE DE SELLE (A-10) |                                    |     |
| 13                               | ATTACHE RAPIDE                     | 1   |
| 14                               | ÉCROU DE FIXATION RAPIDE           | 1   |
| 15                               | RÉCEPTEUR DE FIXATION RAPIDE       | 1   |
| 16                               | RESSORT DE FIXATION RAPIDE         | 1   |
| 17                               | RONDELLE                           | 1   |
| 18                               | MANCHON                            | 1   |
| 36                               | VIS AUTO-TARAUDEUSE                | 1   |
| 38                               | TAMPON EN CAOUTCHOUC ANTIDÉRAPANT  | 1   |
| ENSEMBLE DE PROTECTION (A-11)    |                                    |     |
| 3                                | VIS CRUCIFORME                     | 1   |
| 9                                | VIS AUTO-TARAUDEUSE                | 2   |
| 11                               | VIS AUTO-TARAUDEUSE                | 2   |
| 32                               | ÉCROU HEXAGONAL                    | 1   |
| 48                               | GARDE-CHAÎNE INTÉRIEUR             | 1   |
| 49                               | RONDELLE                           | 4   |
| 51                               | VIS CRUCIFORME                     | 4   |

| N°                        | DESCRIPTION                | QTÉ |
|---------------------------|----------------------------|-----|
| 52                        | ENTRETOISE DE GARDE-CHAÎNE | 2   |
| 53                        | GARDE-CHAÎNE AVANT NOIR    | 1   |
| 54                        | GARDE-CHAÎNE EXTÉRIEUR     | 1   |
| 55                        | COURSE                     | 1   |
| 57                        | VIS CRUCIFORME             | 2   |
| 63                        | GARNITURE EN CAOUTCHOUC    | 1   |
| ENSEMBLE DE PÉDALE (A-12) |                            |     |
| 44R                       | PÉDALE (R)                 | 1   |
| 44L                       | PÉDALE (L)                 | 1   |



## VUE ÉCLATÉE DU MODÈLE GR6



## LISTE DES PIÈCES GR6

| N°   | DESCRIPTION                           | QTÉ |
|--|---------------------------------------|-----|
| ENSEMBLE DE CHÂSSIS (A-01)                       |                                       |     |
| 1  | CHÂSSIS                               | 1   |
| 2  | MANCHON                               | 2   |
| 3  | ATTACHE RAPIDE                        | 1   |
| 4  | ÉCROU DE FIXATION RAPIDE              | 2   |
| 5  | RONDELLE                              | 2   |
| 6  | RÉCEPTEUR DE FIXATION RAPIDE          | 2   |
| 7  | RESSORT DE FIXATION RAPIDE            | 2   |
| 8L   | PLAQUE DROP-OUT DE ROUE D'INERTIE (L) | 1   |
| 8R   | PLAQUE DROP-OUT DE ROUE D'INERTIE (R) | 1   |
| 9  | EMBOUT                                | 2   |
| 10   | VIS À SIX PANS CREUX                  | 1   |
| 11   | VIS À SIX PANS CREUX                  | 1   |
| 74   | PORTE-BOUTEILLE                       | 1   |
| 75   | VIS CRUCIFORME                        | 3   |
| 76   | BOUCLIER DE FOURCHE AVANT             | 1   |
| ENSEMBLE DE BOUTON DE CONTRÔLE DE TENSION (A-02) |                                       |     |
| 12   | CONTRÔLE DE TENSION                   | 1   |
| 13   | ÉCROU DE POSITIONNEMENT               | 1   |
| 14   | ENTRETOISE                            | 1   |

| N°                                  | DESCRIPTION                      | QTÉ |
|-------------------------------------|----------------------------------|-----|
| 15                                  | RONDELLE                         | 1   |
| 16                                  | CACHE DE POSITIONNEMENT EN NYLON | 1   |
| 17                                  | RESSORT DE COMPRESSION           | 1   |
| 18                                  | SUPPORT EN NYLON                 | 2   |
| 19                                  | ÉCROU DE RÉGLAGE                 | 1   |
| 21                                  | ÉCROU À CAPUCHON                 | 1   |
| ENSEMBLE DE GUIDON (A-03)           |                                  |     |
| 3                                   | ATTACHE RAPIDE                   | 1   |
| 36                                  | TIGE DE GUIDON                   | 1   |
| 37                                  | GUIDON                           | 1   |
| 38                                  | RONDELLE                         | 2   |
| 80                                  | EMBOUT                           | 1   |
| ENSEMBLE DE RÉGLAGE DE SIÈGE (A-04) |                                  |     |
| 3                                   | ATTACHE RAPIDE                   | 1   |
| 38                                  | RONDELLE                         | 2   |
| 40                                  | SUPPORT DE SIÈGE                 | 1   |
| 41                                  | SELLE                            | 1   |
| ENSEMBLE DE ROUE D'INERTIE (A-05)   |                                  |     |
| 42                                  | ROUE D'INERTIE                   | 1   |
| 43                                  | BAGUE EN ALUMINIUM               | 1   |







| N°                                     | DESCRIPTION                    | QTÉ |
|--|--------------------------------|-----|
| 44                                     | AXE DE MOYEU                   | 1   |
| 45                                     | ROULEMENT                      | 4   |
| 46                                     | ENTRETOISE DE MOYEU            | 1   |
| 47                                     | ÉCROU HEXAGONAL                | 3   |
| 48                                     | RONDELLE                       | 3   |
| 49                                     | ÉCROU À FLASQUE                | 2   |
| 50                                     | VIS À SIX PANS CREUX           | 6   |
| -                                      | ÉTIQUETTE DE LA ROUE D'INERTIE | 2   |
| ENSEMBLE D'AXE DU PÉDALIER (A-06)      |                                |     |
| 51                                     | SUPPORT INFÉRIEUR              | 1   |
| 51-1                                   | BOULON DE VILEBREQUIN          | 2   |
| 56                                     | GRANDE POULIE                  | 1   |
| 57L                                    | MANIVELLE (L)                  | 1   |
| 57R                                    | MANIVELLE (R)                  | 1   |
| 57-1                                   | CAPUCHON DE MANIVELLE          | 2   |
| 63                                     | VIS À SIX PANS CREUX           | 5   |
| 64                                     | RONDELLE ÉLASTIQUE             | 4   |
| 65                                     | ÉCROU DE SERRAGE               | 4   |
| ENSEMBLE DE STABILISATEUR AVANT (A-07) |                                |     |
| 34                                     | ÉCROU DE SERRAGE               | 2   |

| N°                                       | DESCRIPTION                        | QTÉ |
|--|------------------------------------|-----|
| 66                                       | STABILISATEUR AVANT                | 1   |
| 68                                       | PIEDS RÉGLABLES                    | 2   |
| 69                                       | BOULON À TÊTE RONDE                | 2   |
| 70                                       | ROUE DE TRANSPORT NOIRE            | 2   |
| 71                                       | ÉCROU À CAPUCHON                   | 2   |
| 72                                       | RONDELLE                           | 6   |
| 73                                       | VIS À SIX PANS CREUX               | 2   |
| ENSEMBLE DE STABILISATEUR ARRIÈRE (A-08) |                                    |     |
| 67                                       | STABILISATEUR ARRIÈRE              | 1   |
| 68                                       | PIEDS RÉGLABLES                    | 2   |
| 69                                       | BOULON À TÊTE RONDE                | 2   |
| 71                                       | ÉCROU À CAPUCHON                   | 2   |
| 72                                       | RONDELLE                           | 2   |
| ENSEMBLE DE PATIN DE FREIN (A-09)        |                                    |     |
| 20                                       | AIMANT                             | 4   |
| 22                                       | SUPPORT DE L'AIMANT                | 1   |
| 23                                       | BASE DE SUPPORT EN FEUTRE DE LAINE | 1   |
| 24                                       | PROTECTION DU SUPPORT DE L'AIMANT  | 2   |
| 25                                       | SUPPORT DE RÉGLAGE DE L'AIMANT     | 1   |
| 26                                       | FIXATEUR DU SUPPORT DE L'AIMANT    | 1   |

| N°                               | DESCRIPTION                       | QTÉ |
|----------------------------------|-----------------------------------|-----|
| 27                               | SUPPORT DE RESSORT                | 1   |
| 28                               | RESSORT                           | 1   |
| 29                               | COUSSIN DE FREIN                  | 2   |
| 30                               | ÉCROU DE SERRAGE                  | 2   |
| 31                               | VIS CRUCIFORME                    | 1   |
| 32                               | VIS CRUCIFORME                    | 2   |
| 33                               | VIS À SIX PANS CREUX              | 4   |
| 34                               | ÉCROU DE SERRAGE                  | 1   |
| 77                               | VIS CRUCIFORME                    | 1   |
| ENSEMBLE DE TIGE DE SELLE (A-10) |                                   |     |
| 39                               | TIGE DE SELLE                     | 1   |
| 80                               | EMBOUT                            | 1   |
| ENSEMBLE DE PROTECTION (A-11)    |                                   |     |
| 32                               | VIS CRUCIFORME                    | 3   |
| 52                               | GARDE-CHAÎNE INTÉRIEUR            | 1   |
| 53                               | COURSE                            | 1   |
| 54                               | GARDE-CHAÎNE EXTÉRIEUR            | 1   |
| 55                               | TAMPON EN CAOUTCHOUC ANTIDÉRAPANT | 1   |
| 59                               | VIS CRUCIFORME                    | 2   |
| 60                               | RONDELLE                          | 5   |

| N°                        | DESCRIPTION       | QTÉ |
|---------------------------|-------------------|-----|
| 61                        | VIS CRUCIFORME    | 4   |
| 62                        | RONDELLE          | 4   |
| ENSEMBLE DE PÉDALE (A-12) |                   |     |
| 58R                       | PÉDALE DROITE (R) | 1   |
| 58L                       | PÉDALE GAUCHE (L) | 1   |



