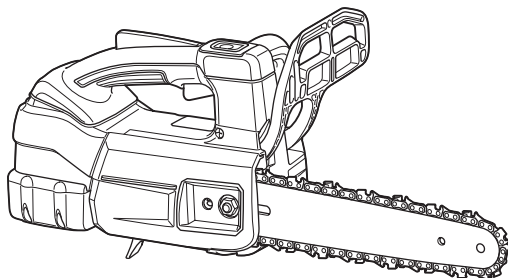




EN	Cordless Chain Saw	INSTRUCTION MANUAL	8
FR	Tronçonneuse sans Fil	MANUEL D'INSTRUCTIONS	20
DE	Akku-Kettensäge	BETRIEBSANLEITUNG	33
IT	Motosega a batteria	ISTRUZIONI PER L'USO	46
NL	Accukettingzaag	GEBRUIKSAANWIJZING	59
ES	Electrosierra Inalámbrica	MANUAL DE INSTRUCCIONES	72
PT	Motosserra a Bateria	MANUAL DE INSTRUÇÕES	85
DA	Akku-kædesav	BRUGSANVISNING	98
EL	Φορητό αλυσοπρίονο	ΕΓΧΕΙΡΙΔΙΟ ΟΔΗΓΙΩΝ	110
TR	Akülü Ağaç Kesme	KULLANMA KILAVUZU	124

DUC204
DUC254
DUC254C



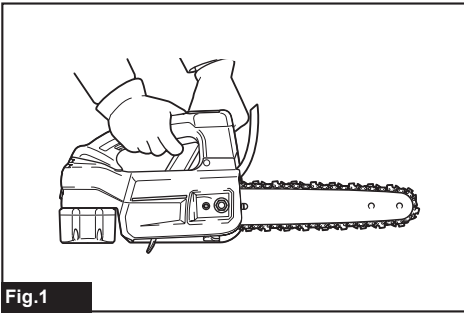


Fig.1

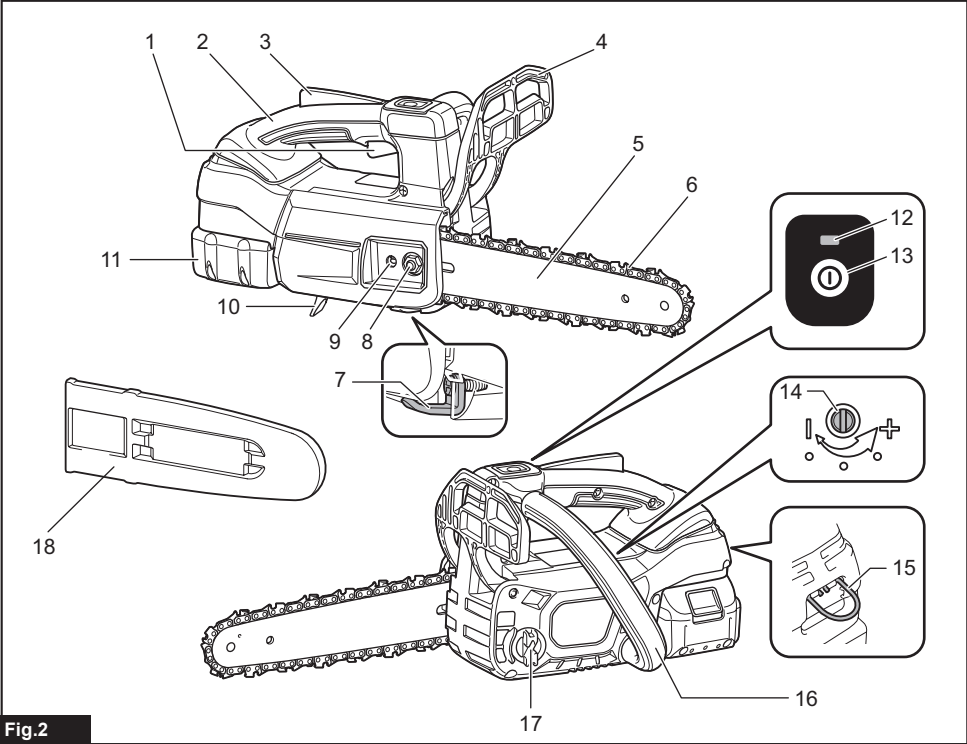


Fig.2

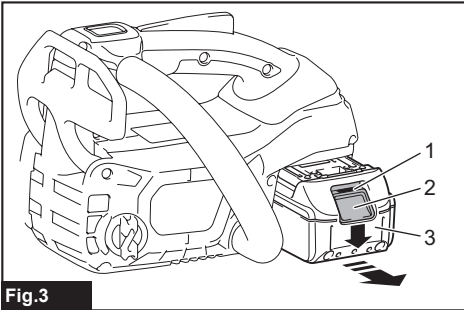


Fig.3

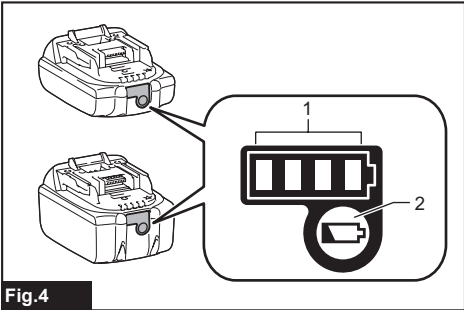


Fig.4

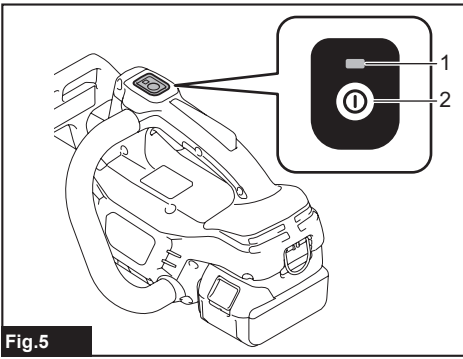


Fig. 5

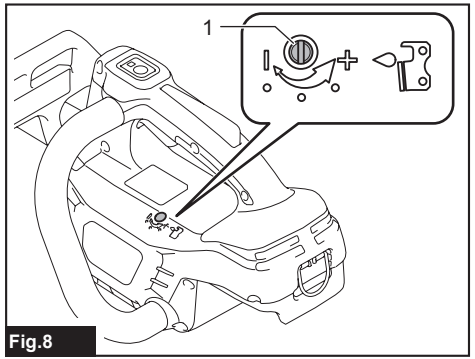


Fig. 8

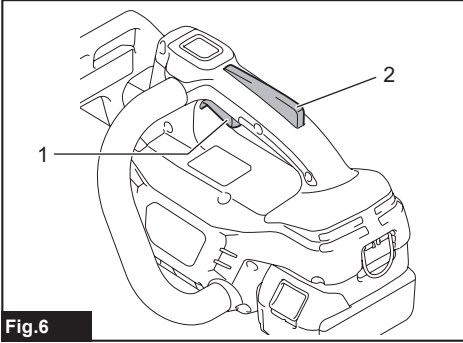


Fig. 6

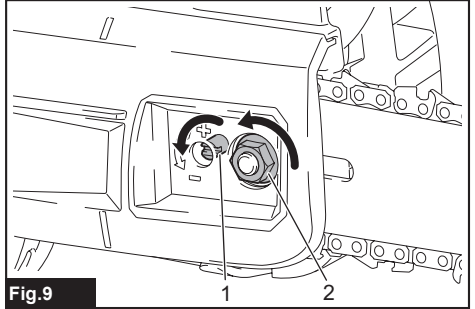


Fig. 9

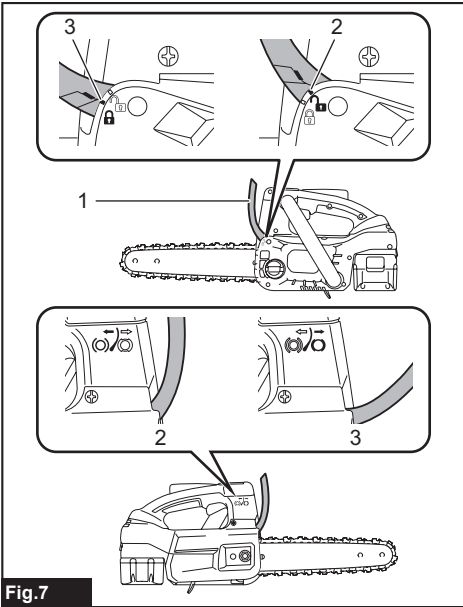


Fig. 7

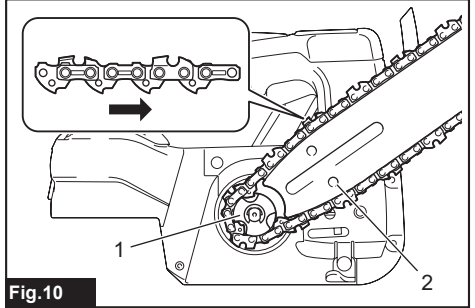


Fig. 10

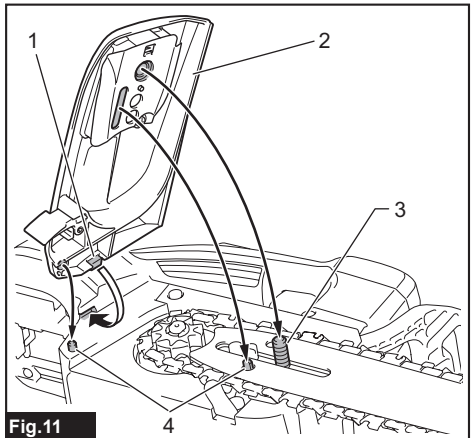


Fig. 11

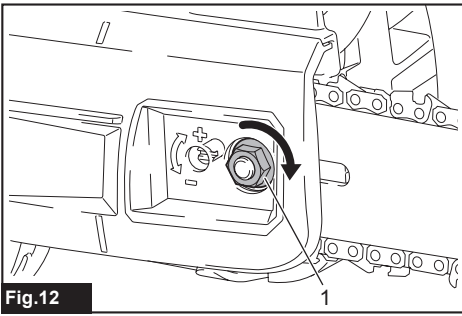


Fig.12

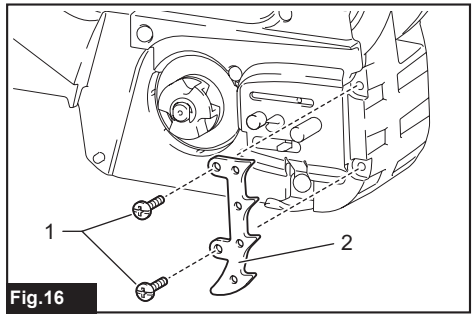


Fig.16

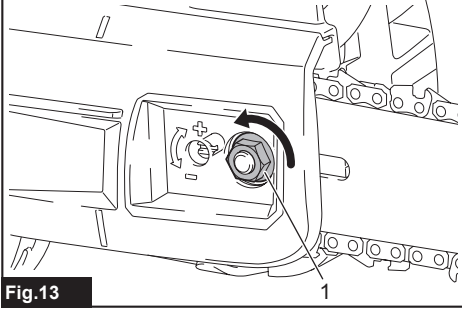


Fig.13

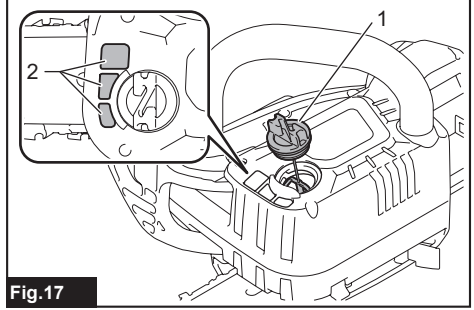


Fig.17

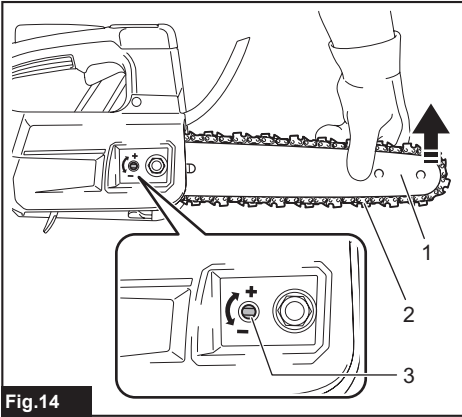


Fig.14

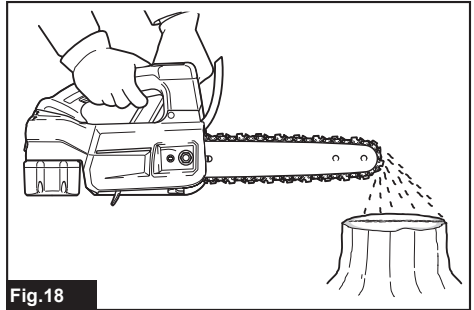


Fig.18

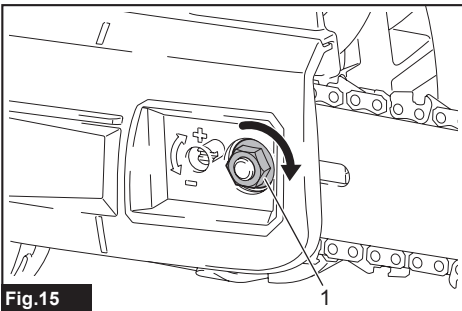


Fig.15

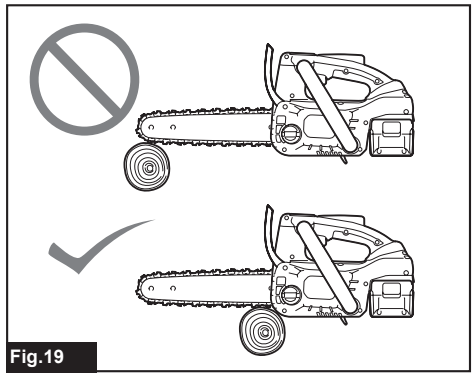


Fig.19

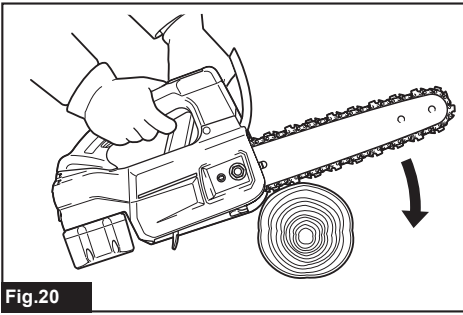


Fig.20

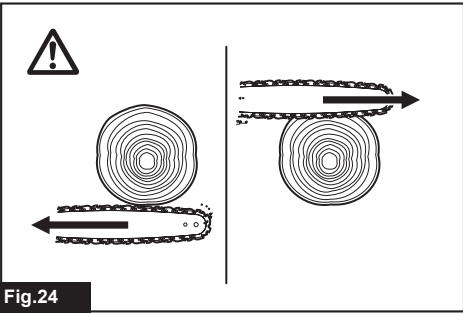


Fig.24

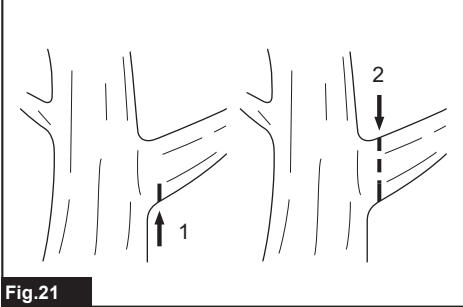


Fig.21

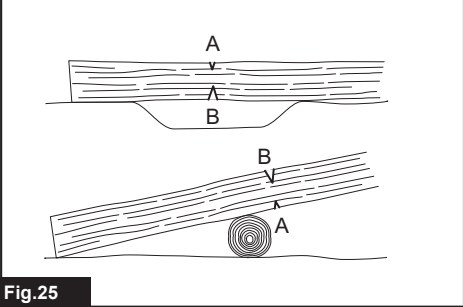


Fig.25

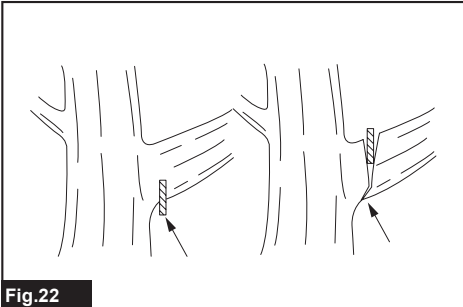


Fig.22

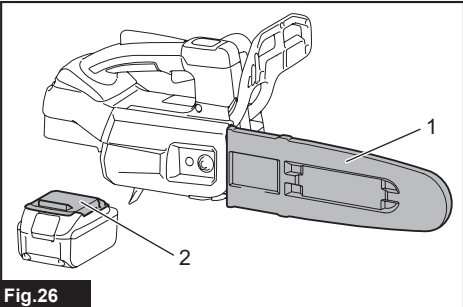


Fig.26

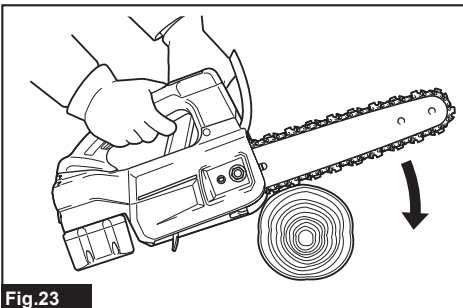


Fig.23

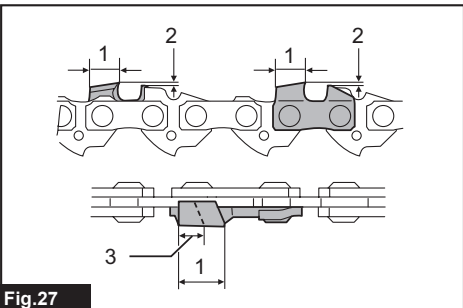


Fig.27

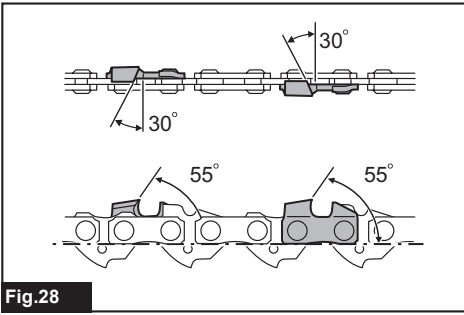


Fig. 28

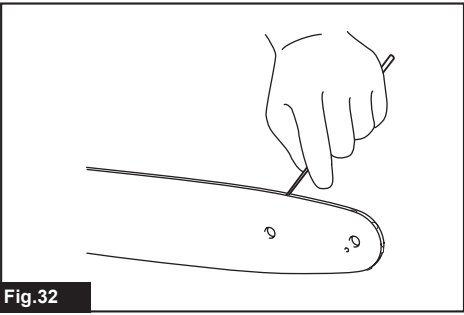


Fig. 32

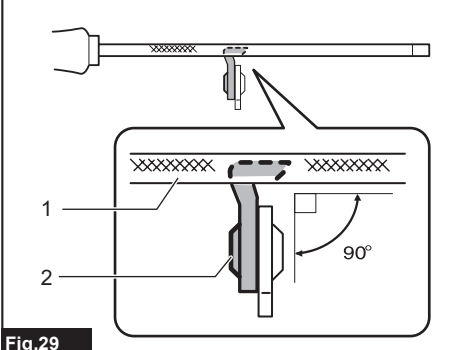


Fig. 29

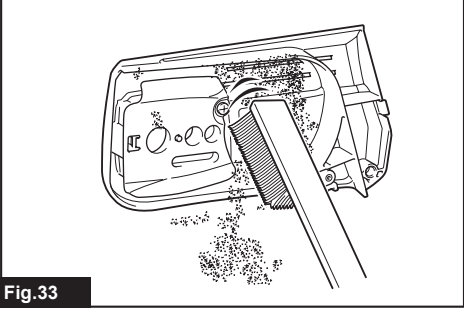


Fig. 33

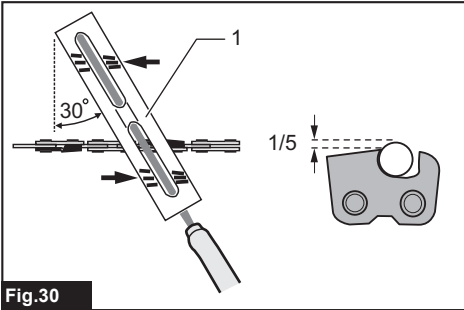


Fig. 30

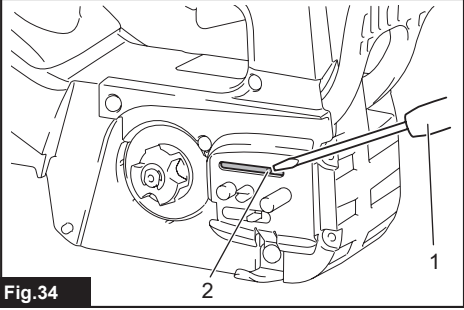


Fig. 34

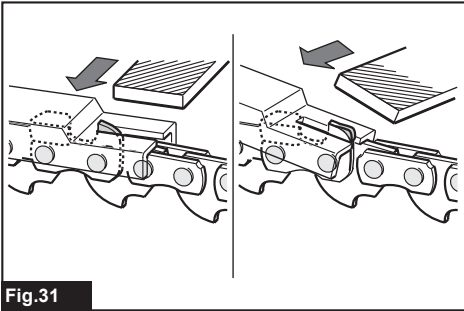


Fig. 31

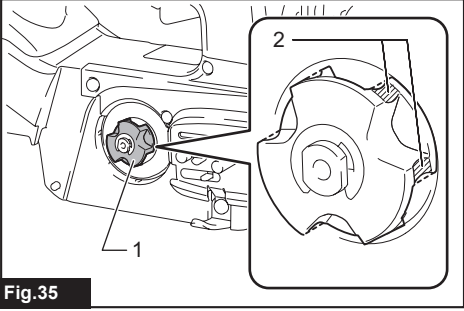


Fig. 35

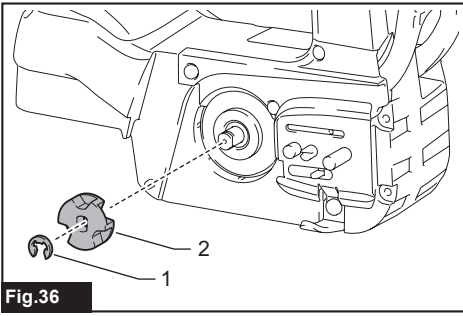


Fig.36

SPECIFICATIONS

Model:		DUC204	DUC254	DUC254C
Overall length (without guide bar)		256 mm		
Rated voltage		D.C. 18 V		
Net weight		2.8 - 3.3 kg		
Standard guide bar length		200 mm	250 mm	
Recommended guide bar length	with 90PX	200 - 250 mm		-
	with 91PX	-	250 mm	-
	with 25AP	-		250 mm
Applicable saw chain type (refer to the table below)		90PX	90PX 91PX	25AP
Standard sprocket	Number of teeth	6		9
	Pitch	3/8"		1/4"
Chain speed		0 - 24 m/s (0 - 1,440 m/min)		0 - 22.5 m/s (0 - 1,350 m/min)
Chain oil tank volume		140 cm ³		

- Due to our continuing program of research and development, the specifications herein are subject to change without notice.
- Specifications may differ from country to country.
- The weight may differ depending on the attachment(s), including the battery cartridge. The lightest and heaviest combination, according to EPTA-Procedure 01/2014, are shown in the table.

Applicable battery cartridge

BL1815N / BL1820 / BL1820B / BL1830 / BL1830B / BL1840 / BL1840B / BL1850 / BL1850B / BL1860B

- Some of the battery cartridges listed above may not be available depending on your region of residence.

⚠ WARNING: Only use the battery cartridges listed above. Use of any other battery cartridges may cause injury and/or fire.

Saw chain, guide bar, and sprocket combination

Saw chain type		90PX	
Number of drive links		33	40
Guide bar	Guide bar length	200 mm	250 mm
	Cutting length	180 mm	244 mm
	Pitch	3/8"	
	Gauge	1.1 mm	
	Type	Sprocket nose bar	
Sprocket	Number of teeth	6	
	Pitch	3/8"	

Saw chain type		91PX	
Number of drive links		40	
Guide bar	Guide bar length	250 mm	
	Cutting length	244 mm	
	Pitch	3/8"	
	Gauge	1.3 mm	
	Type	Sprocket nose bar	
Sprocket	Number of teeth	6	
	Pitch	3/8"	

Saw chain type		25AP
Number of drive links		60
Guide bar	Guide bar length	250 mm
	Cutting length	250 mm
	Pitch	1/4"
	Gauge	1.3 mm
	Type	Carving bar
Sprocket	Number of teeth	9
	Pitch	1/4"

NOTICE: When using 25AP saw chain, use with Sprocket 9 (optional accessory).

WARNING: Use appropriate combination of the guide bar and saw chain. Otherwise personal injury may result.

Symbols

The following show the symbols used for the equipment. Be sure that you understand their meaning before use.

	Read instruction manual.
	Wear safety glasses.
	Wear ear protection.
	Wear a helmet, goggles and ear protection.
	Use appropriate protection for foot-leg and hand-arm.
	This saw is to be used by properly trained operators only.
	Do not expose to moisture.
	Maximum permissible cut length
	Always use two hands when operating the chain saw.
	Direction of chain travel
	Saw chain oil adjustment
	<p>Ni-MH Li-ion</p> <p>Only for EU countries Do not dispose of electric equipment or battery pack together with household waste material! In observance of the European Directives, on Waste Electric and Electronic Equipment and Batteries and Accumulators and Waste Batteries and Accumulators and their implementation in accordance with national laws, electric equipment and batteries and battery pack(s) that have reached the end of their life must be collected separately and returned to an environmentally compatible recycling facility.</p>

Intended use

The tool is intended for cutting branches and pruning trees. It is also suitable for tree service.

Noise

The typical A-weighted noise level determined according to IEC62841-4-1:

Model DUC204

Sound pressure level (L_{pA}): 92.2 dB(A)
Sound power level (L_{WA}): 103.2 dB (A)
Uncertainty (K): 2.5 dB(A)

Model DUC254

Sound pressure level (L_{pA}): 92.2 dB(A)
Sound power level (L_{WA}): 103.2 dB (A)
Uncertainty (K): 2.5 dB(A)

Model DUC254C

Sound pressure level (L_{pA}): 92.2 dB(A)
Sound power level (L_{WA}): 103.2 dB (A)
Uncertainty (K): 2.5 dB(A)

WARNING: Wear ear protection.

Vibration

The vibration total value (tri-axial vector sum) determined according to IEC62841-4-1:

Model DUC204

Work mode: cutting wood
Vibration emission ($a_{h,W}$): 3.1 m/s²
Uncertainty (K): 1.5 m/s²

Model DUC254

Work mode: cutting wood
Vibration emission ($a_{h,W}$): 3.1 m/s²
Uncertainty (K): 1.5 m/s²

Model DUC254C

Work mode: cutting wood
Vibration emission ($a_{h,W}$): 4.1 m/s²
Uncertainty (K): 1.5 m/s²

NOTE: The declared vibration emission value has been measured in accordance with the standard test method and may be used for comparing one tool with another.

NOTE: The declared vibration emission value may also be used in a preliminary assessment of exposure.

⚠️WARNING: The vibration emission during actual use of the power tool can differ from the declared emission value depending on the ways in which the tool is used.

⚠️WARNING: Be sure to identify safety measures to protect the operator that are based on an estimation of exposure in the actual conditions of use (taking account of all parts of the operating cycle such as the times when the tool is switched off and when it is running idle in addition to the trigger time).

EC Declaration of Conformity

For European countries only

The EC declaration of conformity is included as Annex A to this instruction manual.

SAFETY WARNINGS

General power tool safety warnings

⚠️WARNING: Read all safety warnings, instructions, illustrations and specifications provided with this power tool. Failure to follow all instructions listed below may result in electric shock, fire and/or serious injury.

Save all warnings and instructions for future reference.

The term "power tool" in the warnings refers to your mains-operated (corded) power tool or battery-operated (cordless) power tool.

Cordless Chain saw safety warnings

1. **Keep all parts of the body away from the saw chain when the chain saw is operating. Before you start the chain saw, make sure the saw chain is not contacting anything.** A moment of inattention while operating chain saws may cause entanglement of your clothing or body with the saw chain.
2. **Always hold the chain saw with your right hand on the top handle and your left hand on the front handle.** Holding the chain saw with a reversed hand configuration increases the risk of personal injury and should never be done.
3. **Hold the power tool by insulated gripping surfaces only, because the saw chain may contact hidden wiring.** Saw chains contacting a "live" wire may make exposed metal parts of the power tool "live" and could give the operator an electric shock.
4. **Wear safety glasses and hearing protection.** Further protective equipment for head, hands, legs and feet is recommended. Adequate protective clothing will reduce personal injury by flying debris or accidental contact with the saw chain.
5. **Always keep proper footing.**

6. **When cutting a limb that is under tension be alert for spring back.** When the tension in the wood fibres is released the spring loaded limb may strike the operator and/or throw the chain saw out of control.
7. **Use extreme caution when cutting brush and saplings.** The slender material may catch the saw chain and be whipped toward you or pull you off balance.
8. **Carry the chain saw by the front handle with the chain saw switched off and away from your body. When transporting or storing the chain saw always fit the guide bar cover.** Proper handling of the chain saw will reduce the likelihood of accidental contact with the moving saw chain.
9. **Follow instructions for lubricating, chain tensioning and changing accessories.** Improperly tensioned or lubricated chain may either break or increase the chance for kickback.
10. **Keep handles dry, clean, and free from oil and grease.** Greasy, oily handles are slippery causing loss of control.
11. **Cut wood only. Do not use chain saw for purposes not intended.** For example: do not use chain saw for cutting plastic, masonry or non-wood building materials. Use of the chain saw for operations different than intended could result in a hazardous situation.
12. **Causes and operator prevention of kickback:** Kickback may occur when the nose or tip of the guide bar touches an object, or when the wood closes in and pinches the saw chain in the cut. Tip contact in some cases may cause a sudden reverse reaction, kicking the guide bar up and back towards the operator. Pinching the saw chain along the top of the guide bar may push the guide bar rapidly back towards the operator. Either of these reactions may cause you to lose control of the saw which could result in serious personal injury. Do not rely exclusively upon the safety devices built into your saw. As a chain saw user, you should take several steps to keep your cutting jobs free from accident or injury.
Kickback is the result of tool misuse and/or incorrect operating procedures or conditions and can be avoided by taking proper precautions as given below:
 - Maintain a firm grip, with thumbs and fingers encircling the chain saw handles, with both hands on the saw and position your body and arm to allow you to resist kickback forces. Kickback forces can be controlled by the operator, if proper precautions are taken. Do not let go of the chain saw.

► Fig.1

- Do not overreach and do not cut above shoulder height. This helps prevent unintended tip contact and enables better control of the chain saw in unexpected situations.
- Only use replacement bars and chains specified by the manufacturer. Incorrect replacement bars and chains may cause chain breakage and/or kickback.
- Follow the manufacturer's sharpening and maintenance instructions for the saw chain. Decreasing the depth gauge height can lead to increased kickback.

13. **Before starting work, check that the chain saw is in proper working order and that its condition complies with the safety regulations. Check in particular that:**
 - The chain brake is working properly;
 - The run-down brake is working properly;
 - The bar and the sprocket cover are fitted correctly;
 - The chain has been sharpened and tensioned in accordance with the regulations.
14. **Do not start the chain saw with the chain cover being installed on it.** Starting the chain saw with the chain cover being installed on it may cause the chain cover to be thrown out forward resulting in personal injury and damage to objects around the operator.

Top handle chainsaw specific safety warnings

1. **This chain saw is designed especially for tree care and surgery. The chain saw is intended to be used by properly trained persons only. Observe all instructions, procedures and recommendations from the relevant professional organization. Otherwise fatal accidents may occur. It is recommended that always using a rising platform (cherry picker, lift) for sawing in trees. Rappelling techniques are extremely dangerous and require special training. The operators must be trained to become familiar with safety equipment usage and climbing techniques. Always use the appropriate belts, ropes and carabiners when working in trees. Always use restraining equipment for both the operator and the saw.**
2. **Perform cleaning and maintenance before storage in accordance with the instruction manual.**
3. **Ensure safe positioning of the chain saw during car transportation to avoid fuel or chain oil leakage, damage to the tool and personal injury.**
4. **Regularly check the functionality of chain brake.**
5. **Do not fill the chain oil near fire. Never smoke when you fill the chain oil.**
6. **National regulation may restrict the use of the chain saw.**
7. **If the equipment gets heavy impact or fall, check the condition before continuing work. Check the controls and safety devices for malfunction. If there is any damage or doubt, ask our authorized service center for the inspection and repair.**
8. **Always activate the chain brake before starting the chain saw.**
9. **Hold the saw firmly in place to avoid skating (skid movement) or bouncing of the saw when starting a cut.**
10. **At the end of the cut, be careful to keep your balance due to the "drop".**
11. **Take into account the direction and speed of the wind. Avoid sawdust and chain oil mist.**

Protective equipment

1. **In order to avoid head, eye, hand or foot injuries as well as to protect your hearing the following protective equipment must be used during operation of the chain saw:**
 - The kind of clothing should be appropriate, i. e. it should be tight-fitting but not be a hindrance. Do not wear jewelry or clothing which could become entangled with bushes or shrubs. If you have long hair, always wear a hairnet!
 - It is necessary to wear a protective helmet whenever working with the chain saw. The **protective helmet** is to be checked in regular intervals for damage and is to be replaced after 5 years at the latest. Use only approved protective helmets.
 - The **face shield** of the protective helmet (or the goggles) protects against sawdust and wood chips. During operation of the chain saw always wear a goggle or a face shield to prevent eye injuries.
 - Wear adequate **noise protection equipment** (ear muffs, ear plugs, etc.)
 - The **protective jacket** consists of 22 layers of nylon and protects the operator against cuts. It is always to be worn when working from elevated platforms (cherry pickers, lifts), from platforms mounted on ladders or when climbing with ropes.
 - The **protective brace and bib overall** is made of a nylon fabric with 22 layers and protects against cuts. We strongly recommend its use.
 - **Protective gloves** made of thick leather are part of the prescribed equipment and must always be worn during operation of the chain saw.
 - During operation of the chain saw **safety shoes** or **safety boots** fitted with anti skid sole, steel toe caps and protection for the leg must always be worn. Safety shoes equipped with a protective layer provide protection against cuts and ensure a secure footing. For working in trees the safety boots must be suitable for climbing techniques.

Vibration

1. Individuals with poor circulation who are exposed to excessive vibration may experience injury to blood vessels or the nervous system. Vibration may cause the following symptoms to occur in the fingers, hands or wrists: "Falling asleep" (numbness), tingling, pain, stabbing sensation, alteration of skin colour or of the skin. **If any of these symptoms occur, see a physician!** To reduce the risk of "white finger disease", keep your hands warm during operation and well maintain the equipment and accessories.

SAVE THESE INSTRUCTIONS.

⚠WARNING: DO NOT let comfort or familiarity with product (gained from repeated use) replace strict adherence to safety rules for the subject product. MISUSE or failure to follow the safety rules stated in this instruction manual may cause serious personal injury.

Important safety instructions for battery cartridge

1. Before using battery cartridge, read all instructions and cautionary markings on (1) battery charger, (2) battery, and (3) product using battery.
2. Do not disassemble battery cartridge.
3. If operating time has become excessively shorter, stop operating immediately. It may result in a risk of overheating, possible burns and even an explosion.
4. If electrolyte gets into your eyes, rinse them out with clear water and seek medical attention right away. It may result in loss of your eyesight.
5. Do not short the battery cartridge:
 - (1) Do not touch the terminals with any conductive material.
 - (2) Avoid storing battery cartridge in a container with other metal objects such as nails, coins, etc.
 - (3) Do not expose battery cartridge to water or rain.

A battery short can cause a large current flow, overheating, possible burns and even a breakdown.
6. Do not store the tool and battery cartridge in locations where the temperature may reach or exceed 50 °C (122 °F).
7. Do not incinerate the battery cartridge even if it is severely damaged or is completely worn out. The battery cartridge can explode in a fire.
8. Be careful not to drop or strike battery.
9. Do not use a damaged battery.

10. The contained lithium-ion batteries are subject to the Dangerous Goods Legislation requirements.

For commercial transports e.g. by third parties, forwarding agents, special requirement on packaging and labeling must be observed. For preparation of the item being shipped, consulting an expert for hazardous material is required. Please also observe possibly more detailed national regulations. Tape or mask off open contacts and pack up the battery in such a manner that it cannot move around in the packaging.

11. Follow your local regulations relating to disposal of battery.
12. Use the batteries only with the products specified by Makita. Installing the batteries to non-compliant products may result in a fire, excessive heat, explosion, or leak of electrolyte.

SAVE THESE INSTRUCTIONS.

⚠ CAUTION: Only use genuine Makita batteries. Use of non-genuine Makita batteries, or batteries that have been altered, may result in the battery bursting causing fires, personal injury and damage. It will also void the Makita warranty for the Makita tool and charger.

Tips for maintaining maximum battery life

1. Charge the battery cartridge before completely discharged. Always stop tool operation and charge the battery cartridge when you notice less tool power.
2. Never recharge a fully charged battery cartridge. Overcharging shortens the battery service life.
3. Charge the battery cartridge with room temperature at 10 °C - 40 °C (50 °F - 104 °F). Let a hot battery cartridge cool down before charging it.
4. Charge the battery cartridge if you do not use it for a long period (more than six months).

PARTS DESCRIPTION

► Fig.2

1	Switch trigger	2	Top handle	3	Lock-off lever
4	Front hand guard	5	Guide bar	6	Saw chain
7	Chain catcher	8	Retaining nut	9	Chain adjusting screw
10	Chip guide	11	Battery cartridge	12	Main power lamp
13	Main power switch	14	Adjusting screw (for oil pump)	15	Carabiner
16	Front handle	17	Oil tank cap	18	Guide bar cover

FUNCTIONAL DESCRIPTION

⚠ CAUTION: Always be sure that the tool is switched off and the battery cartridge is removed before adjusting or checking function on the tool.

Installing or removing battery cartridge

⚠ CAUTION: Always switch off the tool before installing or removing of the battery cartridge.

⚠ CAUTION: Hold the tool and the battery cartridge firmly when installing or removing battery cartridge. Failure to hold the tool and the battery cartridge firmly may cause them to slip off your hands and result in damage to the tool and battery cartridge and a personal injury.

► **Fig.3:** 1. Red indicator 2. Button 3. Battery cartridge

To remove the battery cartridge, slide it from the tool while sliding the button on the front of the cartridge.

To install the battery cartridge, align the tongue on the battery cartridge with the groove in the housing and slip it into place. Insert it all the way until it locks in place with a little click. If you can see the red indicator on the upper side of the button, it is not locked completely.

⚠ CAUTION: Always install the battery cartridge fully until the red indicator cannot be seen. If not, it may accidentally fall out of the tool, causing injury to you or someone around you.

⚠ CAUTION: Do not install the battery cartridge forcibly. If the cartridge does not slide in easily, it is not being inserted correctly.

Indicating the remaining battery capacity

Only for battery cartridges with the indicator

► **Fig.4:** 1. Indicator lamps 2. Check button

Press the check button on the battery cartridge to indicate the remaining battery capacity. The indicator lamps light up for a few seconds.

Indicator lamps			Remaining capacity
Lighted	Off	Blinking	
			75% to 100%
			50% to 75%
			25% to 50%
			0% to 25%
			Charge the battery.
			The battery may have malfunctioned.

NOTE: Depending on the conditions of use and the ambient temperature, the indication may differ slightly from the actual capacity.

Tool / battery protection system

The tool is equipped with a tool/battery protection system. This system automatically cuts off power to the motor to extend tool and battery life. The tool will automatically stop during operation if the tool or battery is placed under one of the following conditions:

Overload protection

When the battery is operated in a manner that causes it to draw an abnormally high current, the tool automatically stops and the main power lamp blinks in green. In this situation, turn the tool off and stop the application that caused the tool to become overloaded. Then turn the tool on to restart.

Overheat protection

When the tool or battery is overheated, the tool stops automatically and the main power lamp lights up in red. In this case, let the tool and battery cool before turning the tool on again.

NOTE: In high temperature environment, the overheat protection likely to work and the tool stops automatically.

Overdischarge protection

When the battery capacity is not enough, the tool stops automatically and the main power lamp blinks in red. In this case, remove the battery from the tool and charge the battery.

Main power switch

⚠ WARNING: Always turn off the main power switch when not in use.

To turn on the tool, press the main power switch until the main power lamp lights up in green. To turn off, press the main power switch again.

► **Fig.5:** 1. Main power lamp 2. Main power switch

NOTE: The main power lamp blinks in green if the switch trigger is pulled under unoperable conditions. The lamp blinks in one of the following conditions.

- When you turn on the main power switch while holding down the lock-off lever and the switch trigger.
- When you pull the switch trigger while the chain brake is applied.
- When you release the chain brake while holding down the lock-off lever and pulling the switch trigger.

NOTE: This chain saw employs the auto power-off function. To avoid unintentional start up, the main power switch will automatically shut down when the switch trigger is not pulled for a certain period after the main power switch is turned on.

You can use the tool in the Torque Boost mode for cutting thick branches or hard branches. To use the tool in the Torque Boost mode, when the tool is turned off, press the main power switch for a few seconds until the main power lamp lights up in yellow.

NOTE: You can use the tool in the Torque Boost mode up to 30 seconds. Depending on the usage conditions, this mode shifts to the normal mode in less than 30 seconds.

NOTE: If the main power lamp blinks in yellow when you press the main power switch for a few seconds, the Torque Boost mode is not available. In this case, follow the steps below.

- The Torque Boost mode is not available right after the cutting operation. Wait for more than 10 seconds, and then press the main power switch again.
- If you use the Torque Boost mode several times, the use of the Torque Boost mode is restricted to protect the battery. If the Torque Boost mode is not available after waiting for more than 10 seconds, replace the battery cartridge with a fully charged one, or recharge the battery cartridge.

NOTE: If the main power lamp lights up in red or blinks in red or green, refer to the instructions for tool/battery protection system.

NOTE: The Torque Boost mode cannot be used when the battery cartridge BL1815N, BL1820, or BL1820B is installed.

Switch action

⚠ WARNING: For your safety, this tool is equipped with lock-off lever which prevents the tool from unintended starting. **NEVER** use the tool if it runs when you simply pull the switch trigger without pressing the lock-off lever. Return the tool to our authorized service center for proper repairs **BEFORE** further usage.

⚠ WARNING: **NEVER** tape down or defeat purpose and function of lock-off lever.

⚠ CAUTION: Before installing the battery cartridge into the tool, always check to see that the switch trigger actuates properly and returns to the "OFF" position when released.

NOTICE: Do not pull the switch trigger hard without pressing the lock-off lever. This can cause switch breakage.

To prevent the switch trigger from being accidentally pulled, a lock-off lever is provided. To start the tool, depress the lock-off lever and pull the switch trigger. The tool speed increases by increasing pressure on the switch trigger. Release the switch trigger to stop.

► **Fig.6:** 1. Switch trigger 2. Lock-off lever

Checking the chain brake

⚠ CAUTION: Hold the chain saw with both hands when switching it on. Hold the top handle with your right hand, the front handle with your left. The bar and the chain must not be in contact with any object.

⚠ CAUTION: Should the saw chain not stop immediately when this test is performed, the saw may not be used under any circumstances. Consult our authorized service center.

1. Press the lock-off lever, then pull the switch trigger. The saw chain starts immediately.
2. Push the front hand guard forwards with the back of your hand. Make sure that the chain saw comes to an immediate standstill.

► **Fig.7:** 1. Front hand guard 2. Unlocked position 3. Locked position

Checking the run-down brake

⚠ CAUTION: If the saw chain does not stop within two seconds in this test, stop using the chain saw and consult our authorized service center.

Run the chain saw then release the switch trigger completely. The saw chain must come to a standstill within two seconds.

Adjusting the chain lubrication

You can adjust the oil pump feed rate with the adjusting screw using the universal wrench. The amount of oil can be adjusted in 3 steps.

► **Fig.8:** 1. Adjusting screw

Carabiner (rope attachment point)

You can hang the tool by attaching the rope to the carabiner. Pull up the carabiner, and then tie it with the rope.

Electronic function

The tool is equipped with the electronic functions for easy operation.

- Soft start
The soft-start function minimizes start-up shock, and makes the tool start smoothly.

ASSEMBLY

⚠ CAUTION: Always be sure that the tool is switched off and the battery cartridge is removed before carrying out any work on the tool.

⚠ CAUTION: Do not touch the saw chain with bare hands. Always wear gloves when handling the saw chain.

Removing or installing saw chain

⚠ CAUTION: The saw chain and the guide bar are still hot just after the operation. Let them cool down enough before carrying out any work on the tool.

⚠ CAUTION: Carry out the procedure of installing or removing saw chain in a clean place free from sawdust and the like.

To remove the saw chain, perform the following steps:

1. Release the chain brake by pulling the front hand guard.
2. Loosen the chain adjusting screw, then the retaining nut.

► **Fig.9:** 1. Chain adjusting screw 2. Retaining nut

3. Remove the sprocket cover then remove the saw chain and guide bar from the chain saw body.

To install the saw chain, perform the following steps:

1. Check the direction of the saw chain. Match the direction of the saw chain with that of the mark on the chain saw body.
2. Fit one end of the saw chain on the top of the guide bar.
3. Fit the other end of the saw chain around the sprocket, then attach the guide bar to the chain saw body, aligning the hole on the guide bar with the pin on the chain saw body.

► **Fig.10:** 1. Sprocket 2. Hole

4. Insert the protrusion on the sprocket cover to the chain saw body, and then close the cover so that the bolt and pins on the chain saw body meet their counterparts on the cover.

► **Fig.11:** 1. Protrusion 2. Sprocket cover 3. Bolt 4. Pin

5. Tighten the retaining nut to secure the sprocket cover, then loosen it a bit for tension adjustment.

► **Fig.12:** 1. Retaining nut

Adjusting saw chain tension

⚠ CAUTION: Do not tighten the saw chain too much. Excessively high tension of saw chain may cause breakage of saw chain, wear of the guide bar and breakage of the adjusting dial.

⚠ CAUTION: A chain which is too loose can jump off the bar and it may cause an injury accident.

The saw chain may become loose after many hours of use. From time to time check the saw chain tension before use.

1. Release the chain brake by pulling the front hand guard.
2. Loosen the retaining nut a bit to loosen the sprocket cover lightly.

► **Fig.13:** 1. Retaining nut

3. Lift up the guide bar tip slightly and adjust the chain tension. Turn the chain adjusting screw clockwise to tighten, turn it counterclockwise to loosen.

For chain blade 90PX and 91PX:

Tighten the saw chain until the lower side of the saw chain fits in the guide bar rail as illustrated.

► **Fig.14:** 1. Guide bar 2. Saw chain 3. Chain adjusting screw

For chain blade 25AP:

Tighten the saw chain so that the gap between the center of the lower side of the guide bar and the saw chain becomes approximately 1 mm to 2 mm.

4. Keep holding the guide bar lightly and tighten the sprocket cover.

For chain blade 90PX and 91PX:

Make sure that the saw chain does not loose at the lower side.

For chain blade 25AP:

Make sure that the gap between the center of the lower side of the guide bar and the saw chain is approximately 1 mm to 2 mm.

5. Tighten the retaining nut to secure the sprocket cover.

► **Fig.15:** 1. Retaining nut

Make sure the saw chain fits snugly against the lower side of the bar.

Spike bumper

Optional accessory

When cutting thick branches, using the spike bumper is recommended. To install the spike bumper, perform the following steps:

1. Remove the sprocket cover, saw chain, and guide bar.

2. Align the holes of the spike bumper with the holes on the chain saw body, and then tighten the screws firmly.

► **Fig.16:** 1. Screw 2. Spike bumper

OPERATION

Lubrication

Saw chain is automatically lubricated when the tool is in operation. Check the amount of remaining oil in the oil tank periodically through the oil inspection window. To refill the tank, lay the chain saw on its side and remove the oil tank cap. The proper amount of oil is 140 ml. After refilling the tank, make sure that the oil tank cap is tightened securely.

► **Fig.17:** 1. Oil tank cap 2. Oil inspection window

After refilling, hold the chain saw away from the tree. Start it and wait until lubrication on saw chain is adequate.

► **Fig.18**

NOTICE: When filling the chain oil for the first time, or refilling the tank after it has been completely emptied, add oil up to the bottom edge of the filler neck. The oil delivery may otherwise be impaired.

NOTICE: Use the saw chain oil exclusively for Makita chain saws or equivalent oil available in the market.

NOTICE: Never use oil including dust and particles or volatile oil.

NOTICE: When pruning trees, use botanical oil. Mineral oil may harm trees.

NOTICE: Before the cutting operation, make sure that the provided oil tank cap is screwed in place.

WORKING WITH THE CHAIN SAW

CAUTION: The first time user should, as a minimum practice, do cutting logs on a saw-horse or cradle.

CAUTION: When sawing precut timber, use a safe support (saw horse or cradle). Do not steady the workpiece with your foot, and do not allow anyone else to hold or steady it.

CAUTION: Secure round pieces against rotation.

CAUTION: Keep all parts of the body away from the saw chain when the motor is operating.

CAUTION: Hold the chain saw firmly with both hands when the motor is running.

CAUTION: Do not overreach. Keep proper footing and balance at all times.

NOTICE: Never toss or drop the tool.

NOTICE: Do not cover the vents of the tool.

Pruning trees

Bring the chain saw body into contact with the branch to be cut before switching on. Otherwise it may cause the guide bar to wobble, resulting in injury to operator. Saw the wood to be cut by just moving it down by using the weight of the chain saw.

► Fig.19

If you cannot cut the timber right through with a single stroke:

Apply light pressure to the handle and continue sawing and draw the chain saw back a little.

► Fig.20

When cutting thick branches, first make a shallow undercut and then make the finish cut from the top.

► Fig.21

If you try to cut off thick branches from the bottom, the branch may close in and pinch the saw chain in the cut. If you try to cut off thick branches from the top without a shallow undercut, the branch may splinter.

► Fig.22

Bucking

1. Rest the chain saw body on the wood to be cut.

► Fig.23

2. With the saw chain running, saw into the wood while using the top handle to raise the saw and the front one to guide it.

3. Continue the cut by applying slight pressure to the top handle, easing the saw back slightly.

NOTICE: When making several cuts, switch the chain saw off between cuts.

CAUTION: If the upper edge of the bar is used for cutting, the chain saw may be deflected in your direction if the chain becomes trapped. For this reason, cut with the lower edge, so that the saw will be deflected away from your body.

► Fig.24

When you cut a wood under tension, cut the pressured side (A) first. Then make the final cut from the tensioned side (B). This prevents the bar from becoming trapped.

► Fig.25

Limbing

CAUTION: Limbing may only be performed by trained persons. A hazard is presented by the risk of kickback.

When limbing, support the chain saw on the trunk if possible. Do not cut with the tip of the bar, as this presents a risk of kickback.

Pay particular attention to branches under tension. Do not cut unsupported branches from below. Do not stand on the felled trunk when limbing.

Carrying tool

Before carrying the tool, always apply the chain brake and remove the battery cartridges from the tool. Then attach the guide bar cover. Also cover the battery cartridge with the battery cover.

► Fig.26: 1. Guide bar cover 2. Battery cover

MAINTENANCE

CAUTION: Always be sure that the tool is switched off and the battery cartridge is removed before attempting to perform inspection or maintenance.

CAUTION: Always wear gloves when performing any inspection or maintenance.

NOTICE: Never use gasoline, benzine, thinner, alcohol or the like. Discoloration, deformation or cracks may result.

To maintain product SAFETY and RELIABILITY, repairs, any other maintenance or adjustment should be performed by Makita Authorized or Factory Service Centers, always using Makita replacement parts.

Sharpening the saw chain

Sharpen the saw chain when:

- Mealy sawdust is produced when damp wood is cut;
- The chain penetrates the wood with difficulty, even when heavy pressure is applied;
- The cutting edge is obviously damaged;
- The saw pulls to the left or right in the wood. (caused by uneven sharpening of the saw chain or damage to one side only)

Sharpen the saw chain frequently but a little each time. Two or three strokes with a file are usually sufficient for routine resharpening. When the saw chain has been resharpened several times, have it sharpened in our authorized service center.

Sharpening criteria:

⚠ WARNING: An excessive distance between the cutting edge and depth gauge increases the risk of kickback.

- **Fig.27:** 1. Cutter length 2. Distance between cutting edge and depth gauge 3. Minimum cutter length (3 mm)

- All cutter length must be equal. Different cutter lengths prevent the saw chain from running smoothly and may cause the saw chain to break.
- Do not sharpen the chain when the cutter length has reached 3 mm or shorter. The chain must be replaced with new one.
- The chip thickness is determined by the distance between the depth gauge (round nose) and the cutting edge.
- The best cutting results are obtained with following distance between cutting edge and depth gauge.
 - Chain blade 90PX : 0.65 mm
 - Chain blade 91PX : 0.65 mm
 - Chain blade 25AP : 0.65 mm

► **Fig.28**

- The sharpening angle of 30° must be the same on all cutters. Different cutter angles cause the chain to run roughly and unevenly, accelerate wear, and lead to chain breaks.
- Use a suitable round file so that the proper sharpening angle is kept against the teeth.
 - Chain blade 90PX : 55°
 - Chain blade 91PX : 55°
 - Chain blade 25AP : 55°

File and file guiding

- Use a special round file (optional accessory) for saw chains to sharpen the chain. Normal round files are not suitable.
- Diameter of the round file for each saw chain is as follows:
 - Chain blade 90PX : 4.5 mm
 - Chain blade 91PX : 4.0 mm
 - Chain blade 25AP : 4.0 mm
- The file should only engage the cutter on the forward stroke. Lift the file off the cutter on the return stroke.

- Sharpen the shortest cutter first. Then the length of this shortest cutter becomes the standard for all other cutters on the saw chain.
- Guide the file as shown in the figure.

► **Fig.29:** 1. File 2. Saw chain

- The file can be guided more easily if a file holder (optional accessory) is employed. The file holder has markings for the correct sharpening angle of 30° (align the markings parallel to the saw chain) and limits the depth of penetration (to 4/5 of the file diameter).

► **Fig.30:** 1. File holder

- After sharpening the chain, check the height of the depth gauge using the chain gauge tool (optional accessory).

► **Fig.31**

- Remove any projecting material, however small, with a special flat file (optional accessory).
- Round off the front of the depth gauge again.

Cleaning the guide bar

Chips and sawdust will build up in the guide bar groove. They may clog the bar groove and impair the oil flow. Clean out the chips and sawdust every time when you sharpen or replace the saw chain.

► **Fig.32**

Cleaning the sprocket cover

Chips and saw dust will accumulate inside of the sprocket cover. Remove the sprocket cover and saw chain from the tool then clean the chips and saw dust.

► **Fig.33**

Cleaning the oil discharge hole

Small dust or particles may be built up in the oil discharge hole during operation. These dust or particles may impair the oil to flow and cause an insufficient lubrication on the whole saw chain. When a poor chain oil delivery occurs at the top of guide bar, clean the oil discharge hole as follows.

1. Remove the sprocket cover and saw chain from the tool.
2. Remove the small dust or particles using a slotted screwdriver with a slender shaft or the like.

► **Fig.34:** 1. Slotted screwdriver 2. Oil discharge hole

3. Insert the battery cartridge into the tool. Pull the switch trigger to flow built-up dust or particles off the oil discharge hole by discharging chain oil.
4. Remove the battery cartridge from the tool. Reinstall the sprocket cover and saw chain on the tool.

Replacing the sprocket

⚠ CAUTION: A worn sprocket will damage a new saw chain. Have the sprocket replaced in this case.

Before fitting a new saw chain, check the condition of the sprocket.

► **Fig.35:** 1. Sprocket 2. Areas to be worn out

Always fit a new locking ring when replacing the sprocket.

► **Fig.36:** 1. Locking ring 2. Sprocket

NOTICE: Make sure that the sprocket is installed as shown in the figure.

Storing the tool

1. Clean the tool before storing. Remove any chips and sawdust from the tool after removing the sprocket cover.
2. After cleaning the tool, run it under no load to lubricate the saw chain and guide bar.
3. Cover the guide bar with the guide bar cover.
4. Empty the oil tank.

Instructions for periodic maintenance

To ensure long life, prevent damage and ensure the full functioning of the safety features, the following maintenance must be performed regularly. Warranty claims can be recognized only if this work is performed regularly and properly. Failure to perform the prescribed maintenance work can lead to accidents! The user of the chain saw must not perform maintenance work which is not described in the instruction manual. All such work must be carried out by our authorized service center.

Check item / Operating time		Before operation	Everyday	Every week	Every 3 month	Annually	Before storage
Chain saw	Inspection.	✓	-	-	-	-	-
	Cleaning.	-	✓	-	-	-	-
	Check at authorized service center.	-	-	-	-	✓	✓
Saw chain	Inspection.	✓	-	-	-	-	-
	Sharpening if necessary.	-	-	-	-	-	✓
Guide bar	Inspection.	✓	✓	-	-	-	-
	Remove from the chain saw.	-	-	-	-	-	✓
Chain brake	Check the function.	✓	-	-	-	-	-
	Have it inspected regularly at authorized service center.	-	-	-	✓	-	-
Chain lubrication	Check the oil feed rate.	✓	-	-	-	-	-
Switch trigger	Inspection.	✓	-	-	-	-	-
Lock-off lever	Inspection.	✓	-	-	-	-	-
Oil tank cap	Check tightness.	✓	-	-	-	-	-
Chain catcher	Inspection.	-	-	✓	-	-	-
Screws and nuts	Inspection.	-	-	✓	-	-	-

TROUBLESHOOTING

Before asking for repairs, conduct your own inspection first. If you find a problem that is not explained in the manual, do not attempt to dismantle the tool. Instead, ask Makita Authorized Service Centers, always using Makita replacement parts for repairs.

Malfunction status	Cause	Action
The chain saw does not start.	Battery cartridge is not installed.	Install a charged battery cartridge.
	Battery problem (low voltage).	Recharge the battery cartridges. If recharging is not effective, replace the battery cartridge.
	Main power switch is off.	The chain saw is automatically turned off if it is un-operated for a certain period. Turn on the main power switch again.
The saw chain does not run.	Chain brake activated.	Release chain brake.
The motor stops running after a little use.	Battery's charge level is low.	Recharge the battery cartridges. If recharging is not effective, replace the battery cartridge.
No oil on the chain.	Oil tank is empty.	Fill the oil tank.
	Oil guide groove is dirty.	Clean the groove.
	Poor oil delivery.	Adjust the amount of oil delivery with the adjusting screw.
The chain saw does not reach maximum RPM.	Battery cartridge is installed improperly.	Install the battery cartridges as described in this manual.
	Battery power is dropping.	Recharge the battery cartridge. If recharging is not effective, replace the battery cartridge.
	The drive system does not work correctly.	Ask the authorized service center in your region for repair.
The main power lamp is blinking in green.	Switch trigger is pulled under an unoperable condition.	Pull the switch trigger after the main power switch is turned on and the chain brake is released.
Chain does not stop even the chain brake is activated: Stop the machine immediately!	The brake band is worn down.	Ask the authorized service center in your region for repair.
Abnormal vibration: Stop the machine immediately!	Loose guide bar or saw chain.	Adjust the guide bar and saw chain tension.
	Tool malfunction.	Ask the authorized service center in your region for repair.
The Torque Boost mode is not available after replacing the battery cartridge with a fully charged one.	Depending on the usage conditions, the Torque Boost mode is not available after replacing the battery cartridge.	Use the tool in the normal mode until the installed battery cartridge becomes empty, and then replace the battery cartridge with a fully charged one, or recharge the battery cartridge.

OPTIONAL ACCESSORIES

CAUTION: These accessories or attachments are recommended for use with your Makita tool specified in this manual. The use of any other accessories or attachments might present a risk of injury to persons. Only use accessory or attachment for its stated purpose.

If you need any assistance for more details regarding these accessories, ask your local Makita Service Center.

- Saw chain
- Guide bar
- Guide bar cover
- Sprocket

- Spike bumper
- File
- Tool bag
- Makita genuine battery and charger

WARNING: If you purchase a guide bar of different length from the standard guide bar, also purchase a suitable guide bar cover together. It must fit and fully cover the guide bar on the chain saw.

NOTE: Some items in the list may be included in the tool package as standard accessories. They may differ from country to country.

SPÉCIFICATIONS

Modèle :		DUC204	DUC254	DUC254C
Longueur totale (sans guide-chaîne)		256 mm		
Tension nominale		18 V CC		
Poids net		2,8 - 3,3 kg		
Longueur du guide-chaîne standard		200 mm	250 mm	
Longueur de guide-chaîne recommandée	avec 90PX	200 - 250 mm		-
	avec 91PX	-	250 mm	-
	avec 25AP	-		250 mm
Type de chaîne applicable (reportez-vous au tableau ci-dessous.)		90PX	90PX 91PX	25AP
Pignon standard	Nombre de dents	6		9
	Pas	3/8"		1/4"
Vitesse de la chaîne		0 - 24 m/s (0 - 1 440 m/min)		0 - 22,5 m/s (0 - 1 350 m/min)
Capacité du réservoir d'huile pour chaîne		140 cm ³		

- Étant donné l'évolution constante de notre programme de recherche et de développement, les spécifications contenues dans ce manuel sont sujettes à modification sans préavis.
- Les spécifications peuvent varier suivant les pays.
- Le poids peut être différent selon les accessoires, notamment la batterie. Les associations la plus légère et la plus lourde, conformément à la procédure EPTA 01/2014, sont indiquées dans le tableau.

Batterie applicable

BL1815N / BL1820B / BL1830B / BL1840 / BL1840B / BL1850 / BL1850B / BL1860B

- Certaines batteries répertoriées ci-dessus peuvent ne pas être disponibles selon la région où vous résidez.

⚠ AVERTISSEMENT : N'utilisez que les batteries répertoriées ci-dessus. L'utilisation de n'importe quelle autre batterie peut provoquer des blessures et/ou un incendie.

Combinaison de chaîne, guide-chaîne et pignon

Type de chaîne		90PX	
Nombre de maillons d'entraînement		33	40
Guide-chaîne	Longueur du guide-chaîne	200 mm	250 mm
	Longueur de coupe	180 mm	244 mm
	Pas	3/8"	
	Jauge	1,1 mm	
	Type	Guide-chaîne à pignon de renvoi	
Pignon	Nombre de dents	6	
	Pas	3/8"	

Type de chaîne		91PX	
Nombre de maillons d'entraînement		40	
Guide-chaîne	Longueur du guide-chaîne	250 mm	
	Longueur de coupe	244 mm	
	Pas	3/8"	
	Jauge	1,3 mm	
	Type	Guide-chaîne à pignon de renvoi	
Pignon	Nombre de dents	6	
	Pas	3/8"	

Type de chaîne		25AP
Nombre de maillons d'entraînement		60
Guide-chaîne	Longueur du guide-chaîne	250 mm
	Longueur de coupe	250 mm
	Pas	1/4"
	Jauge	1,3 mm
	Type	Guide-chaîne pour sculpture
Pignon	Nombre de dents	9
	Pas	1/4"

REMARQUE : Lorsque vous utilisez la chaîne 25AP, utilisez-la en association avec le pignon 9 (accessoire en option).

AVERTISSEMENT : Associez correctement guide-chaîne et chaîne. Le non-respect de cette consigne peut entraîner des blessures.

Symboles

Vous trouverez ci-dessous les symboles utilisés pour l'appareil. Veuillez à comprendre leur signification avant toute utilisation.



Lire le mode d'emploi.



Portez des lunettes de sécurité.



Portez un dispositif de protection auditive.



Portez un casque, des lunettes à coques et un serre-tête antibruit.



Portez des protections adaptées pour les pieds/jambes et mains/bras.



Cette scie ne doit être utilisée que par des opérateurs correctement formés.



Ne pas exposer à l'eau.



Longueur de coupe maximale admise



Servez-vous toujours de vos deux mains lorsque vous utilisez la tronçonneuse.



Sens de déplacement de la chaîne



Réglage de la lubrification de la chaîne



Pour les pays de l'Union européenne uniquement
Ne jetez pas les appareils électriques ou les batteries avec vos ordures ménagères !
 Conformément aux directives européennes relatives aux déchets d'équipements électriques et électroniques et aux piles et accumulateurs ainsi qu'aux déchets de piles et d'accumulateurs et leur mise en œuvre conformément aux lois nationales, les équipements électriques, les piles et les batteries en fin de vie doivent faire l'objet d'une collecte sélective et être confiés à une usine de recyclage respectueuse de l'environnement.

Utilisations

L'outil est conçu pour la coupe des branches et l'élagage des arbres. Il convient également à l'entretien des arbres.

Bruit

Niveau de bruit pondéré A typique, déterminé selon IEC62841-4-1 :

Modèle DUC204

Niveau de pression sonore (L_{pA}) : 92,2 dB (A)
 Niveau de puissance sonore (L_{WA}) : 103,2 dB (A)
 Incertitude (K) : 2,5 dB (A)

Modèle DUC254

Niveau de pression sonore (L_{pA}) : 92,2 dB (A)
 Niveau de puissance sonore (L_{WA}) : 103,2 dB (A)
 Incertitude (K) : 2,5 dB (A)

Modèle DUC254C

Niveau de pression sonore (L_{pA}) : 92,2 dB (A)
 Niveau de puissance sonore (L_{WA}) : 103,2 dB (A)
 Incertitude (K) : 2,5 dB (A)

AVERTISSEMENT : Portez un serre-tête antibruit.

Vibrations

Valeur totale de vibrations (somme de vecteur triaxial) déterminée selon IEC62841-4-1 :

Modèle DUC204

Mode de travail : coupe de bois
 Émission de vibrations ($a_{h,w}$) : 3,1 m/s²
 Incertitude (K) : 1,5 m/s²

Modèle DUC254

Mode de travail : coupe de bois
 Émission de vibrations ($a_{h,w}$) : 3,1 m/s²
 Incertitude (K) : 1,5 m/s²

Modèle DUC254C

Mode de travail : coupe de bois
 Émission de vibrations ($a_{h,w}$) : 4,1 m/s²
 Incertitude (K) : 1,5 m/s²

NOTE : La valeur d'émission de vibrations déclarée a été mesurée conformément à la méthode de test standard et peut être utilisée pour comparer les outils entre eux.

NOTE : La valeur d'émission de vibrations déclarée peut aussi être utilisée pour l'évaluation préliminaire de l'exposition.

⚠ AVERTISSEMENT : L'émission de vibrations lors de l'usage réel de l'outil électrique peut être différente de la valeur d'émission déclarée, suivant la façon dont l'outil est utilisé.

⚠ AVERTISSEMENT : Les mesures de sécurité à prendre pour protéger l'utilisateur doivent être basées sur une estimation de l'exposition dans des conditions réelles d'utilisation (en tenant compte de toutes les composantes du cycle d'utilisation, comme par exemple le moment de sa mise hors tension, lorsqu'il tourne à vide et le moment de son déclenchement).

Déclaration de conformité CE

Pour les pays européens uniquement

La déclaration de conformité CE est fournie en Annexe A à ce mode d'emploi.

CONSIGNES DE SÉCURITÉ

Consignes de sécurité générales pour outils électriques

⚠ AVERTISSEMENT : Veuillez lire les consignes de sécurité, instructions, illustrations et spécifications qui accompagnent cet outil électrique. Le non-respect de toutes les instructions indiquées ci-dessous peut entraîner une électrocution, un incendie et/ou de graves blessures.

Conservez toutes les mises en garde et instructions pour référence ultérieure.

Le terme « outil électrique » dans les avertissements fait référence à l'outil électrique alimenté par le secteur (avec cordon d'alimentation) ou à l'outil électrique fonctionnant sur batterie (sans cordon d'alimentation).

Consignes de sécurité pour Tronçonneuse sans Fil

1. **Éloignez la tronçonneuse de votre corps pendant l'utilisation. Avant de faire démarrer la tronçonneuse, assurez-vous que la chaîne n'est pas en contact avec quoi que soit.** Restez attentif en permanence, pour éviter tout contact entre la chaîne et votre corps, et que vos vêtements ne se prennent dans la chaîne.
2. **Tenez toujours la tronçonneuse en plaçant votre main droite sur la poignée supérieure et votre main gauche sur la poignée avant.** N'inversez jamais les mains pour tenir la tronçonneuse, sous peine d'augmenter les risques de blessure.

3. **Saisissez l'outil électrique uniquement par ses surfaces de prise isolées, car la chaîne peut entrer en contact avec des fils électriques cachés.** Le contact de la chaîne avec un fil sous tension peut mettre sous tension les parties métalliques exposées de l'outil électrique, causant ainsi une électrisation chez l'utilisateur.
4. **Portez des lunettes de sécurité et un dispositif de protection auditive.** Nous vous recommandons de plus de porter des équipements de protection pour la tête, les mains, les jambes et les pieds. Le port de vêtements de protection adéquats réduit le risque de blessure causée par les débris éjectés ou par le contact accidentel avec la chaîne.
5. **Conservez toujours un bon appui au sol.**
6. **Lorsque vous coupez une branche en tension, prenez garde au retour de la branche.** Lorsque la tension exercée sur les fibres du bois est libérée, la branche risque de se détendre comme un ressort et de frapper l'utilisateur et/ou de provoquer une perte de maîtrise de la tronçonneuse.
7. **Faites preuve d'une grande prudence lorsque vous coupez des broussailles ou de jeunes arbres.** De fins morceaux de bois peuvent se coincer dans la chaîne et être projetés vers vous ou exercer une traction qui vous ferait perdre l'équilibre.
8. **Pour transporter la tronçonneuse, arrêtez-la, saisissez-la par la poignée avant et éloignez-la de votre corps. Avant de transporter ou de ranger la tronçonneuse, remettez toujours le garde-chaîne en place.** Une manipulation adéquate de la tronçonneuse réduit le risque de contact accidentel avec la chaîne en mouvement.
9. **Suivez les instructions de lubrification, de réglage de la tension de la chaîne et de changement des accessoires.** Une mauvaise tension ou une mauvaise lubrification de la chaîne augmente les risques de rupture et de choc en retour.
10. **Les poignées doivent être sèches, et ne doivent pas présenter de traces d'huile ou de graisse.** Les poignées grasses ou huileuses sont glissantes et peuvent causer une perte de contrôle de l'outil.
11. **Utilisez l'outil uniquement pour couper du bois. N'utilisez pas la tronçonneuse pour des travaux autres que ceux pour lesquels elle a été conçue.** Par exemple, n'utilisez pas la tronçonneuse pour couper du plastique, des matériaux de maçonnerie ou des matériaux de construction qui ne sont pas à base de bois. L'utilisation de la tronçonneuse pour effectuer des travaux autres que ceux pour lesquels elle a été conçue peut entraîner une situation dangereuse.
12. **Causes des chocs en retour et mesures préventives :** Il y a un risque de choc en retour lorsque le nez ou l'extrémité du guide-chaîne touche un objet, ou lorsque le bois se referme et coince la chaîne dans sa ligne de coupe. Dans certains cas, le contact de l'extrémité du guide-chaîne avec un objet peut entraîner une réaction instantanée en sens inverse, qui projette le guide-chaîne vers le haut et vers l'utilisateur. Le guide-chaîne risque d'être projeté vers l'utilisateur si la chaîne se coince le long de la partie supérieure du guide-chaîne. L'une ou l'autre de ces réactions peut entraîner une perte de contrôle de la tronçonneuse et entraîner des blessures graves. Ne vous

fiez pas uniquement aux dispositifs de sécurité intégrés à la tronçonneuse. En tant qu'utilisateur de la tronçonneuse, vous devez prendre des mesures pour éviter les accidents et les blessures pendant les travaux de coupe.

Un choc en retour résulte d'une mauvaise utilisation de l'outil et/ou de procédures ou conditions de travail inadéquates. Il peut être évité en prenant les mesures appropriées, qui sont décrites ci-après :

- Tenez fermement la tronçonneuse avec vos deux mains, en plaçant vos pouces et vos doigts autour des poignées de la tronçonneuse ; positionnez votre corps et vos bras de manière à résister aux chocs en retour. L'utilisateur peut contrôler les chocs en retour s'il prend les précautions nécessaires. Ne lâchez pas la tronçonneuse.

► **Fig.1**

- Ne vous penchez pas trop en avant, et ne coupez pas plus haut que la hauteur des épaules. Ceci permet d'éviter un contact accidentel de l'extrémité du guide-chaîne avec un objet et de mieux maîtriser la tronçonneuse dans les situations imprévues.
 - Utilisez exclusivement les guides-chaînes et les chaînes de rechange spécifié(s) par le fabricant. L'utilisation d'un guide-chaîne ou d'une chaîne de rechange inadaptés peut causer la rupture de la chaîne et/ou un choc en retour.
 - Suivez les instructions du fabricant concernant l'affûtage et l'entretien de la chaîne. Réduire la hauteur du limiteur de profondeur augmente le risque de choc en retour.
13. **Avant de commencer le travail, assurez-vous que la tronçonneuse fonctionne correctement et satisfait aux réglementations relatives à la sécurité. Vérifiez tout particulièrement les points suivants :**
- Le frein de chaîne fonctionne correctement.
 - Le frein d'arrêt du moteur fonctionne correctement.
 - Le guide-chaîne et le couvre-pignon sont correctement installés.
 - La chaîne a été aiguisée et tendue conformément aux réglementations.
14. **Ne faites pas démarrer la tronçonneuse sans avoir retiré le garde-chaîne.** Si vous faites démarrer la tronçonneuse sans avoir retiré le garde-chaîne, celui-ci risque d'être éjecté vers l'avant, ce qui peut entraîner des blessures et endommager les objets autour de l'utilisateur.

Consignes de sécurité propres à la tronçonneuse à poignée supérieure

1. **Cette tronçonneuse est spécialement conçue pour l'entretien des arbres et la chirurgie arboricole. Cette tronçonneuse est conçue pour être utilisée uniquement par des personnes correctement formées. Respectez toutes les instructions, procédures et recommandations émanant des instances professionnelles pertinentes. Le non-respect de cette consigne**

peut entraîner des accidents mortels. Il est conseillé de toujours utiliser une plateforme élévatrice (nacelle élévatrice, élévateur) pour scier dans les arbres. La technique de descente en rappel est extrêmement dangereuse et nécessite une formation spéciale. Les opérateurs doivent être formés pour se familiariser avec les équipements de sécurité et les techniques d'escalade. Utilisez toujours des courroies, cordes et mousquetons appropriés lorsque vous travaillez dans les arbres. Utilisez toujours des systèmes de retenue à la fois pour l'opérateur et la scie.

2. **Effectuez le nettoyage et l'entretien avant le rangement conformément au mode d'emploi.**
3. **Pendant le transport dans un véhicule, assurez-vous que la tronçonneuse est placée de façon à éviter toute fuite de carburant ou d'huile pour chaîne, tous dommages matériels et corporels.**
4. **Vérifiez régulièrement le bon fonctionnement du frein de chaîne.**
5. **N'ajoutez pas d'huile pour chaîne près d'un feu. Ne fumez jamais lorsque vous ajoutez de l'huile pour chaîne.**
6. **Les réglementations nationales peuvent imposer des restrictions à l'utilisation de la tronçonneuse.**
7. **Si l'équipement subit un choc violent ou tombe, vérifiez son état avant de poursuivre la tâche. Vérifiez si les commandes et les dispositifs de sécurité fonctionnent correctement. En cas de dommage ou de doute, confiez l'inspection et la réparation à notre service après-vente agréé.**
8. **Enclenchez toujours le frein de chaîne avant de mettre en marche la tronçonneuse.**
9. **Tenez fermement la scie en place pour éviter le patinage (dérapage) ou le rebond de la scie lorsque vous démarrez une coupe.**
10. **À la fin de la coupe, prenez soin de conserver votre équilibre en raison de la « chute de tension ».**
11. **Prenez en considération le sens et la vitesse du vent. Évitez la sciure de bois et le nuage d'huile pour chaîne.**

Équipement de protection

1. **Pour éviter les blessures à la tête, aux yeux, aux mains ou aux pieds ainsi que les lésions auditives, portez l'équipement de protection suivant lorsque vous utilisez la tronçonneuse :**
 - Portez des vêtements adaptés, c'est-à-dire ajustés, mais n'entravant pas vos mouvements. Ne portez ni bijoux ni vêtements susceptibles de s'enchevêtrer dans les buissons ou les arbustes. Si vous avez les cheveux longs, portez toujours un filet à cheveux !
 - Il est nécessaire de porter un casque de sécurité chaque fois que vous travaillez avec la tronçonneuse. Le **casque de sécurité** doit être inspecté régulièrement pour vérifier qu'il n'est pas endommagé et doit être remplacé au moins tous les 5 ans. N'utilisez que des casques de sécurité homologués.

- L'**écran facial** du casque de sécurité (ou des lunettes à coques) protège contre la sciure de bois et les copeaux. Pendant le fonctionnement de la tronçonneuse, portez toujours des lunettes à coques ou un écran facial pour éviter les blessures oculaires.
 - Portez un **équipement anti-bruit** adéquat (cache-oreilles, bouchons d'oreille, etc.)
 - La **veste de protection** comprend 22 couches de nylon et protège l'opérateur des coupes. Son port est obligatoire lors de tâches sur une plateforme en hauteur (nacelle élévatrice, élévateur), une plateforme montée sur une échelle ou en cas d'escalade en cordée.
 - La **salopette à bretelles de protection** est fabriquée dans un tissu de nylon ayant 22 couches et protège des coupes. Il est vivement conseillé de l'utiliser.
 - Les **gants de protection** fabriqués en cuir épais font partie de l'équipement réglementé et leur port est obligatoire pendant l'utilisation de la tronçonneuse.
 - Pendant le fonctionnement de la tronçonneuse, le port de **chaussures de sécurité** ou de **bottes de sécurité** avec semelle antidérapante, embout protecteur en acier et protection pour la jambe est obligatoire. Les chaussures de sécurité pourvues d'une couche protectrice protègent des coupes et garantissent une bonne assise. Pour travailler dans les arbres, utilisez des bottes de sécurité spécialisées pour l'escalade.
3. **Cessez immédiatement l'utilisation si le temps de fonctionnement devient excessivement court. Il y a risque de surchauffe, de brûlures, voire d'explosion.**
 4. **Si l'électrolyte pénètre dans vos yeux, rincez-les à l'eau claire et consultez immédiatement un médecin. Il y a risque de perte de la vue.**
 5. **Ne court-circuitez pas la batterie :**
 - (1) **Ne touchez les bornes avec aucun matériau conducteur.**
 - (2) **Évitez de ranger la batterie dans un conteneur avec d'autres objets métalliques, par exemple des clous, des pièces de monnaie, etc.**
 - (3) **N'exposez pas la batterie à l'eau ou à la pluie.**

Un court-circuit de la batterie peut provoquer une intensité de courant élevée, une surchauffe, parfois des brûlures et même une panne.
 6. **Ne rangez pas l'outil et la batterie dans un endroit où la température risque d'atteindre ou de dépasser 50 °C.**
 7. **Ne jetez pas la batterie au feu même si elle est sérieusement endommagée ou complètement épuisée. La batterie peut exploser au contact du feu.**
 8. **Évitez de laisser tomber ou de cogner la batterie.**
 9. **N'utilisez pas la batterie si elle est endommagée.**
 10. **Les batteries au lithium-ion contenues sont soumises aux exigences de la législation sur les marchandises dangereuses.**

Lors du transport commercial par des tierces parties ou des transitaires par exemple, des exigences spécifiques en matière d'étiquetage et d'emballage doivent être respectées. Pour la préparation de l'article expédié, il est nécessaire de consulter un expert en matériau dangereux. Veuillez également respecter les réglementations nationales susceptibles d'être plus détaillées.

Recouvrez les contacts exposés avec du ruban adhésif ou du ruban de masquage et emballez la batterie de telle sorte qu'elle ne puisse pas bouger dans l'emballage.

Vibrations

1. Les personnes ayant une mauvaise circulation du sang qui sont exposées à des vibrations excessives peuvent présenter des lésions des vaisseaux sanguins ou du système nerveux. Les vibrations peuvent être à l'origine des symptômes suivants dans les doigts, les mains ou les poignets : Engourdissement, picotement, douleur, douleur lancinante, changement de couleur de la peau ou de la peau elle-même. **Si un ou plusieurs de ces symptômes apparaissent, consultez un médecin !** Pour réduire le risque du syndrome de Raynaud, gardez vos mains au chaud pendant l'utilisation et conservez en bon état l'équipement et les accessoires.

CONSERVEZ CES INSTRUCTIONS.

⚠️ AVERTISSEMENT : NE vous laissez PAS tromper (au fil d'une utilisation répétée) par un sentiment d'aisance et de familiarité avec le produit, en négligeant le respect rigoureux des consignes de sécurité qui accompagnent le produit en question. La MAUVAISE UTILISATION de l'outil ou l'ignorance des consignes de sécurité indiquées dans ce mode d'emploi peut entraîner de graves blessures.

Consignes de sécurité importantes pour la batterie

1. **Avant d'utiliser la batterie, lisez toutes les instructions et précautions relatives (1) au chargeur de batterie, (2) à la batterie, et (3) au produit utilisant la batterie.**
2. **Ne démontez pas la batterie.**

CONSERVEZ CES INSTRUCTIONS.

⚠️ ATTENTION : N'utilisez que des batteries Makita d'origine. L'utilisation de batteries de marque autre que Makita ou de batteries modifiées peut provoquer l'explosion des batteries, ce qui présente un risque d'incendie, de dommages matériels et corporels. Cela annulera également la garantie Makita pour l'outil et le chargeur Makita.

Conseils pour assurer la durée de vie optimale de la batterie

1. Chargez la batterie avant qu'elle ne soit complètement déchargée. Arrêtez toujours l'outil et rechargez la batterie quand vous remarquez que la puissance de l'outil diminue.
2. Ne rechargez jamais une batterie complètement chargée. La surcharge réduit la durée de service de la batterie.
3. Chargez la batterie à une température ambiante comprise entre 10 °C et 40 °C. Avant de charger une batterie chaude, laissez-la refroidir.
4. Rechargez la batterie si elle est restée inutilisée pendant une période prolongée (plus de six mois).

DESCRIPTION DES PIÈCES

► Fig.2

1	Gâchette	2	Poignée supérieure	3	Levier de sécurité
4	Protège-main avant	5	Guide-chaîne	6	Chaîne
7	Attrape-chaîne	8	Écrou de retenue	9	Vis de réglage de la chaîne
10	Guide des copeaux	11	Batterie	12	Témoin d'alimentation
13	Interrupteur principal	14	Vis de réglage (pour la pompe à huile)	15	Mousqueton
16	Poignée avant	17	Bouchon du réservoir d'huile	18	Garde-chaîne

DESCRIPTION DU FONCTIONNEMENT

⚠ ATTENTION : Assurez-vous toujours que l'outil est hors tension et que sa batterie est retirée avant de l'ajuster ou de vérifier son fonctionnement.

Insertion ou retrait de la batterie

⚠ ATTENTION : Éteignez toujours l'outil avant de mettre en place ou de retirer la batterie.

⚠ ATTENTION : Tenez fermement l'outil et la batterie lors de la mise en place ou du retrait de la batterie. Si vous ne tenez pas fermement l'outil et la batterie, ils peuvent vous glisser des mains, et s'abîmer ou vous blesser.

► Fig.3: 1. Voyant rouge 2. Bouton 3. Batterie

Pour retirer la batterie, faites-la glisser hors de l'outil tout en faisant glisser le bouton à l'avant de la batterie.

Pour mettre en place la batterie, alignez la languette sur la batterie avec la rainure sur le compartiment et insérez-la. Insérez-la à fond jusqu'à ce qu'un léger déclic se fasse entendre. Si le voyant rouge sur le dessus du bouton est visible, cela signifie qu'elle n'est pas bien verrouillée.

⚠ ATTENTION : Insérez toujours complètement la batterie jusqu'à ce que le voyant rouge ne soit plus visible. Sinon, elle pourrait tomber accidentellement de l'outil, au risque de vous blesser ou de blesser quelqu'un se trouvant près de vous.

⚠ ATTENTION : N'insérez pas la batterie de force. Si elle ne glisse pas facilement, c'est que vous ne l'insérez pas correctement.

Indication de la charge restante de la batterie

Uniquement pour les batteries avec voyant lumineux

► Fig.4: 1. Témoins 2. Bouton de vérification

Appuyez sur le bouton de vérification sur la batterie pour indiquer la charge restante de la batterie. Les témoins s'allument pendant quelques secondes.

Témoins			Charge restante
Allumé	Éteint	Clignotant	
■	□	▧	75 % à 100 %
■	■	□	50 % à 75 %
■	■	□	25 % à 50 %
■	□	□	0 % à 25 %
▧	□	□	Chargez la batterie.
■	■	□	Anomalie possible de la batterie.
□	□	■	

NOTE : Selon les conditions d'utilisation et la température ambiante, l'indication peut être légèrement différente de la capacité réelle.

Système de protection de l'outil/la batterie

L'outil est équipé d'un système de protection de l'outil/la batterie. Ce système coupe automatiquement l'alimentation vers le moteur pour prolonger la durée de vie de l'outil et de la batterie. Si l'outil ou la batterie se trouve dans l'une des situations suivantes, l'outil cessera automatiquement de fonctionner.

Protection contre la surcharge

Lorsque le mode d'utilisation de la batterie entraîne un appel de courant anormalement élevé, l'outil s'arrête automatiquement et le témoin d'alimentation clignote en vert. Il faut alors mettre l'outil hors tension et arrêter la tâche qui a causé la surcharge. Remettez ensuite l'outil sous tension pour redémarrer.

Protection contre la surchauffe

En cas de surchauffe de l'outil ou de la batterie, l'outil s'arrête automatiquement et le témoin d'alimentation s'allume en rouge. Dans ce cas, laissez l'outil et la batterie refroidir avant de rallumer l'outil.

NOTE : Dans un environnement à température élevée, la protection contre la surchauffe risque de se déclencher et l'outil s'arrêtera automatiquement.

Protection contre la décharge totale de la batterie

Si la charge de la batterie est insuffisante, l'outil s'arrête automatiquement et le témoin d'alimentation s'allume en rouge. Dans ce cas, retirez la batterie de l'outil et chargez-la.

Interrupteur principal

⚠️ AVERTISSEMENT : Mettez toujours l'interrupteur principal en position d'arrêt lorsque vous n'utilisez pas l'outil.

Pour mettre l'outil sous tension, appuyez sur l'interrupteur principal jusqu'à ce que le témoin d'alimentation s'allume en vert. Pour l'éteindre, appuyez de nouveau sur l'interrupteur principal.

► **Fig.5:** 1. Témoin d'alimentation 2. Interrupteur principal

NOTE : Le témoin d'alimentation clignote en vert si vous appuyez sur la gâchette dans des conditions ne permettant pas d'utiliser l'outil. Le témoin clignote dans l'une des conditions suivantes.

- Lorsque vous mettez l'interrupteur principal en position de marche tout en maintenant le levier de sécurité et la gâchette enfoncés.
- Lorsque vous appuyez sur la gâchette alors que le frein de chaîne est activé.
- Lorsque vous désactivez le frein de chaîne tout en maintenant le levier de sécurité et la gâchette enfoncés.

NOTE : Cette tronçonneuse est équipée d'une fonction de mise hors tension automatique. Afin d'éviter tout démarrage involontaire, l'interrupteur principal est automatiquement mis en position d'arrêt lorsque vous n'appuyez pas sur la gâchette dans un certain délai après mise sous tension de l'outil.

Vous pouvez utiliser l'outil en mode de dopage du couple pour couper des branches épaisses ou des branches dures. Pour utiliser l'outil en mode de dopage du couple, avec l'outil éteint, appuyez sur l'interrupteur principal pendant quelques secondes jusqu'à ce que le témoin d'alimentation s'allume en jaune.

NOTE : Vous pouvez utiliser l'outil en mode de dopage du couple pendant 30 secondes maximum. Selon les conditions d'utilisation, ce mode bascule en mode normal en moins de 30 secondes.

NOTE : Si le témoin d'alimentation clignote en jaune lorsque vous appuyez sur l'interrupteur principal pendant quelques secondes, le mode de dopage du couple n'est pas disponible. Dans ce cas, suivez les étapes ci-dessous.

- Le mode de dopage du couple n'est pas disponible juste après la coupe. Patientez plus de 10 secondes, puis appuyez de nouveau sur l'interrupteur principal.
- Si vous utilisez le mode de dopage du couple plusieurs fois, son usage est restreint pour protéger la batterie. Si le mode de dopage du couple n'est pas disponible après avoir patienté plus de 10 secondes, remplacez la batterie par une batterie complètement chargée ou rechargez-la.

NOTE : Si le témoin d'alimentation s'allume en rouge ou clignote en rouge ou en vert, consultez les instructions du système de protection de l'outil/de la batterie.

NOTE : Le mode de dopage du couple ne peut pas être utilisé avec la batterie BL1815N, BL1820, ou BL1820B installée.

Fonctionnement de la gâchette

⚠️ AVERTISSEMENT : Pour votre sécurité, cet outil est équipé d'un levier de sécurité qui empêche tout démarrage involontaire. N'utilisez JAMAIS l'outil si vous pouvez le démarrer simplement en appuyant sur la gâchette sans appuyer sur le levier de sécurité. Demandez à un centre technique agréé de réaliser les réparations AVANT toute nouvelle utilisation.

⚠️ AVERTISSEMENT : Ne scotchez JAMAIS le levier de sécurité, ni n'ignorez son objectif et sa fonction.

⚠️ ATTENTION : Avant d'insérer la batterie dans l'outil, vérifiez toujours que la gâchette fonctionne bien et revient en position d'arrêt lorsque vous la relâchez.

REMARQUE : Évitez d'appuyer sur la gâchette avec force lorsque le levier de sécurité n'est pas enfoncé. Vous risqueriez de briser la gâchette.

Un levier de sécurité est prévu pour prévenir l'enclenchement accidentel de la gâchette. Pour démarrer l'outil, enfoncez le levier de sécurité puis enclenchez la gâchette. La vitesse de l'outil augmente à mesure que vous augmentez la pression sur la gâchette. Pour l'arrêter, relâchez la gâchette.

► **Fig.6:** 1. Gâchette 2. Levier de sécurité

Vérification du frein de chaîne

⚠ATTENTION : Tenez la tronçonneuse à deux mains lorsque vous la démarrez. Tenez la poignée supérieure avec la main droite et la poignée avant avec la main gauche. Le guide et la chaîne ne doivent entrer en contact avec aucun objet.

⚠ATTENTION : Si la chaîne ne s'arrête pas immédiatement lors de ce test, la tronçonneuse ne doit être utilisée en aucune circonstance. Consultez un centre technique agréé.

1. Appuyez d'abord sur le levier de sécurité, puis sur la gâchette. La chaîne démarre immédiatement.

2. Poussez le protège-main avant vers l'avant avec le dos de la main. Vérifiez que la tronçonneuse s'arrête immédiatement.

► **Fig.7:** 1. Protège-main avant 2. Position non verrouillée 3. Position verrouillée

Vérification du frein d'arrêt du moteur

⚠ATTENTION : Si lors de ce test, la chaîne ne s'arrête pas dans les deux secondes, cessez immédiatement d'utiliser la tronçonneuse et consultez notre service après-vente agréé.

Démarez la tronçonneuse puis relâchez complètement la gâchette. La chaîne doit s'arrêter complètement dans les deux secondes.

Réglage de la lubrification de la chaîne

Vous pouvez régler le débit de la pompe à huile avec la vis de réglage au moyen de la clé universelle. La quantité d'huile peut être ajustée en 3 étapes.

► **Fig.8:** 1. Vis de réglage

Mousqueton (point d'attache de la corde)

Vous pouvez accrocher l'outil en attachant la corde au mousqueton. Tirez le mousqueton vers le haut, puis attachez-le à la corde.

Fonction électronique

L'outil est doté de fonctions électroniques pour en faciliter le fonctionnement.

- Démarrage progressif
La fonction de démarrage progressif réduit le choc de démarrage et permet à l'outil de démarrer doucement.

ASSEMBLAGE

⚠ATTENTION : Assurez-vous toujours que l'outil est hors tension et que sa batterie est retirée avant d'effectuer toute tâche dessus.

⚠ATTENTION : Ne touchez pas la chaîne avec les mains nues. Portez toujours des gants lorsque vous manipulez la chaîne.

Installation et retrait de la chaîne

⚠ATTENTION : La chaîne et le guide-chaîne sont très chauds juste après utilisation. Laissez-les refroidir suffisamment avant tout travail sur l'outil.

⚠ATTENTION : Procédez à l'installation ou au retrait de la chaîne dans un endroit propre, exempt de sciure et autres.

Pour enlever la chaîne, procédez comme suit :

1. Relâchez le frein de chaîne en tirant sur le protège-main avant.

2. Desserrez la vis de réglage de la chaîne, puis l'écrou de retenue.

► **Fig.9:** 1. Vis de réglage de la chaîne 2. Écrou de retenue

3. Retirez le couvre-pignon puis enlevez la chaîne et le guide-chaîne de la tronçonneuse.

Pour installer la chaîne, procédez comme suit :

1. Vérifiez le sens de la chaîne. Faites correspondre le sens de la chaîne avec celui du repère sur le corps de la tronçonneuse.

2. Insérez une extrémité de la chaîne sur le dessus du guide-chaîne.

3. Insérez l'autre extrémité de la chaîne autour du pignon, puis fixez le guide-chaîne au corps de la tronçonneuse, en alignant l'orifice sur le guide-chaîne avec la goupille sur le corps de la tronçonneuse.

► **Fig.10:** 1. Pignon 2. Orifice

4. Insérez la partie saillante sur le couvre-pignon dans le corps de la tronçonneuse, puis refermez le couvercle de sorte que le boulon et les goupilles sur le corps de la tronçonneuse rencontrent leurs équivalents sur le couvercle.

► **Fig.11:** 1. Partie saillante 2. Couvercle-pignon 3. Boulon 4. Goupille

5. Serrez l'écrou de retenue pour fixer en place le couvre-pignon, puis desserrez-le un peu pour ajuster la tension.

► **Fig.12:** 1. Écrou de retenue

Réglage de la tension de la chaîne

⚠ ATTENTION : Ne tendez pas trop la chaîne.
Une tension excessive de la chaîne peut entraîner la rupture de celle-ci, l'usure du guide-chaîne et la rupture de la molette de réglage.

⚠ ATTENTION : Si la tension de la chaîne est insuffisante, celle-ci risque de sauter du guide-chaîne, ce qui peut entraîner un accident.

La chaîne peut se détendre au bout de plusieurs heures d'utilisation. Vérifiez de temps à autre la tension de la chaîne avant de l'utiliser.

1. Relâchez le frein de chaîne en tirant sur le protège-main avant.
2. Desserrez un peu l'écrou de retenue pour desserrer légèrement le couvre-pignon.
▶ Fig.13: 1. Écrou de retenue
3. Soulevez légèrement l'extrémité du guide-chaîne et ajustez la tension de la chaîne. Tournez la vis de réglage de la chaîne dans le sens des aiguilles d'une montre pour la serrer et tournez-la dans le sens inverse des aiguilles d'une montre pour la desserrer.

Pour les chaînes 90PX et 91PX :

Tendez la chaîne jusqu'à ce que sa partie inférieure s'insère dans la rainure du guide-chaîne, comme illustré.

- ▶ Fig.14: 1. Guide-chaîne 2. Chaîne 3. Vis de réglage de la chaîne

Pour la chaîne 25AP :

Serrez la chaîne de sorte que l'espace entre le centre du côté inférieur du guide-chaîne et la chaîne soit d'environ 1 mm à 2 mm.

4. Maintenez le guide-chaîne sans forcer et resserrez le couvre-pignon.

Pour les chaînes 90PX et 91PX :

Assurez-vous que la chaîne est bien tendue sur sa partie inférieure.

Pour la chaîne 25AP :

Assurez-vous que l'espace entre le centre du côté inférieur du guide-chaîne et la chaîne est d'environ 1 mm à 2 mm.

5. Serrez l'écrou de retenue pour fixer en place le couvre-pignon.

- ▶ Fig.15: 1. Écrou de retenue

Assurez-vous que la chaîne s'ajuste correctement sur le côté inférieur du guide-chaîne.

Griffe d'abattage

Accessoire en option

Il est recommandé d'utiliser une griffe d'abattage pour couper des branches épaisses. Pour installer la griffe d'abattage, exécutez les étapes suivantes :

1. Retirez le couvre-pignon, la chaîne et le guide-chaîne.
2. Alignez les orifices de la griffe d'abattage avec les orifices sur le corps de la tronçonneuse, puis serrez fermement les vis.

- ▶ Fig.16: 1. Vis 2. Griffe d'abattage

UTILISATION

Lubrification

La chaîne se lubrifie automatiquement pendant l'utilisation de l'outil. Vérifiez régulièrement la quantité d'huile restante dans le réservoir d'huile par la fenêtre d'inspection d'huile.

Pour remplir le réservoir, posez la tronçonneuse sur le côté et retirez le bouchon du réservoir d'huile. Le bon volume d'huile est de 140 ml. Après avoir rempli le réservoir, vérifiez que le bouchon du réservoir d'huile est bien fermé.

- ▶ Fig.17: 1. Bouchon du réservoir d'huile 2. Fenêtre d'inspection d'huile

Après avoir rempli le réservoir, éloignez la tronçonneuse de l'arbre. Démarrez-la et attendez que la chaîne soit bien lubrifiée.

- ▶ Fig.18

REMARQUE : La première fois que vous faites le plein d'huile pour chaîne, ou lorsque vous refaites le plein après avoir complètement vidé le réservoir d'huile, ajoutez de l'huile jusqu'au bord inférieur du goulot de remplissage. Sinon, l'alimentation en huile risque de mal fonctionner.

REMARQUE : Utilisez uniquement l'huile pour chaîne destinée aux tronçonneuses Makita ou une huile du commerce équivalente.

REMARQUE : N'utilisez jamais une huile contaminée par des poussières ou des particules, ni une huile volatile.

REMARQUE : Lorsque vous élaguez des arbres, utilisez une huile végétale. Une huile minérale risque d'endommager les arbres.

REMARQUE : Avant de tronçonner, assurez-vous que le bouchon du réservoir d'huile est bien vissé en place.

UTILISATION DE LA TRONÇONNEUSE

⚠ ATTENTION : Un utilisateur débutant doit commencer par s'entraîner à couper des bûches placées sur un chevalet de sciage ou un berceau.

⚠ ATTENTION : Lorsque vous sciez du bois coupé, utilisez un support sûr (chevalet de sciage ou berceau). Ne stabilisez pas la pièce avec votre pied, et ne laissez personne la tenir ou la stabiliser.

⚠ ATTENTION : Fixez les pièces rondes pour les empêcher de tourner.

⚠ ATTENTION : Éloignez la chaîne de votre corps lorsque le moteur fonctionne.

⚠ ATTENTION : Tenez la tronçonneuse fermement des deux mains lorsque le moteur tourne.

⚠ ATTENTION : Ne vous penchez pas trop en avant. Conservez un bon appui au sol et gardez votre équilibre en permanence.

REMARQUE : Ne jetez pas l'outil, ne le laissez pas tomber.

REMARQUE : Ne recouvrez pas les orifices d'aération de l'outil.

Élagage des arbres

Mettez le corps de la tronçonneuse en contact avec la branche à couper avant de la mettre en marche. Sinon, le guide-chaîne risque d'osciller, ce qui peut entraîner des blessures. Coupez le bois en déplaçant simplement la tronçonneuse vers le bas, en utilisant le poids de la tronçonneuse.

► Fig.19

Si vous n'arrivez pas à couper complètement le bois d'un seul coup : Appuyez légèrement sur la poignée et continuez à scier en déplaçant un peu la tronçonneuse vers l'arrière.

► Fig.20

Lorsque vous coupez des branches épaisses, commencez par faire une entaille peu profonde, puis effectuez la coupe finale d'en haut.

► Fig.21

Si vous essayez de couper des branches épaisses d'en bas, la branche peut se rapprocher et pincer la chaîne dans la coupe. Si vous essayez de couper des branches épaisses d'en haut sans faire une entaille peu profonde, la branche peut se briser en éclats.

► Fig.22

Tronçonnage

1. Reposez le corps de la tronçonneuse sur le bois à couper.

► Fig.23

2. Activez la rotation de la chaîne, puis sciez le bois en utilisant la poignée supérieure pour soulever la tronçonneuse, et la poignée avant pour la diriger.

3. Continuez à couper en appliquant une légère pression sur la poignée supérieure et en relâchant légèrement l'arrière de la tronçonneuse.

REMARQUE : Lorsque vous effectuez plusieurs coupes, arrêtez la tronçonneuse entre les coupes.

ATTENTION : Si vous utilisez le bord supérieur du guide-chaîne pour tronçonner, la tronçonneuse risque de dévier dans votre direction si la chaîne se coince. Il faut donc tronçonner avec le bord inférieur, afin que la tronçonneuse dévie dans la direction opposée à votre corps.

► Fig.24

Lorsque vous coupez un bois en tension, commencez la coupe du côté sous pression (A), comme illustré. Effectuez ensuite la coupe finale du côté en tension (B), comme illustré. Ceci permet d'éviter que le guide-chaîne ne se coince.

► Fig.25

Ébranchage

ATTENTION : L'ébranchage doit être effectué uniquement par des personnes qui ont reçu une formation. Ce travail présente des risques de choc en retour.

Lors de l'ébranchage, appuyez la tronçonneuse contre le tronc si possible. Ne tronçonnez pas avec le bout du guide-chaîne, pour éviter les risques de choc en retour. Prêtez une attention particulière aux branches en tension. Ne tronçonnez pas par en dessous les branches non soutenues.

Ne montez pas sur l'arbre tombé pour l'ébrancher.

Transport de l'outil

Avant de transporter l'outil, activez toujours le frein de chaîne et retirez les batteries. Remettez ensuite le garde-chaîne en place. Remettez aussi en place le couvercle de la batterie.

► Fig.26: 1. Garde-chaîne 2. Couvercle de batterie

ENTRETIEN

ATTENTION : Assurez-vous toujours que l'outil est hors tension et que la batterie est retirée avant d'y effectuer tout travail d'inspection ou d'entretien.

ATTENTION : Portez toujours des gants pour effectuer toute opération d'inspection ou d'entretien.

REMARQUE : N'utilisez jamais d'essence, benzine, diluant, alcool ou autre produit similaire. Cela risquerait de provoquer la décoloration, la déformation ou la fissuration de l'outil.

Pour assurer la SÉCURITÉ et la FIABILITÉ du produit, toute réparation, tout travail d'entretien ou de réglage doivent être effectués par un centre d'entretien Makita agréé, avec des pièces de rechange Makita.

Affûtage de la chaîne

Affûtez la chaîne si :

- la coupe de bois humide produit de la sciure de bois granuleuse ;
- la chaîne pénètre difficilement dans le bois même si vous appliquez une forte pression ;
- le tranchant des gouges est nettement endommagé ;
- la tronçonneuse tire vers la gauche ou la droite dans le bois. (Cela est dû à un affûtage inégal de la chaîne ou au fait qu'elle est endommagée d'un côté seulement.)

Affûtez la chaîne régulièrement, mais légèrement. Deux ou trois coups de lime suffisent généralement pour l'affûtage de routine. Au bout de plusieurs affûtages réalisés par vos soins, faites affûter la chaîne par un centre technique agréé.

Critères d'affûtage :

⚠ AVERTISSEMENT : Une distance excessive entre le tranchant de la gouge et le limiteur de profondeur augmente le risque de choc en retour.

- **Fig.27:** 1. Longueur du tranchant de la gouge
2. Distance entre le tranchant de la gouge et le limiteur de profondeur. 3. Longueur minimale du tranchant de la gouge (3 mm)

- Tous les tranchants de gouge doivent être de la même longueur. Si les tranchants de gouge sont de longueur inégale, la chaîne tourne de manière irrégulière et risque de casser.
- N'affûtez pas la chaîne lorsque la longueur du tranchant de la gouge est inférieure ou égale à 3 mm. Remplacez la chaîne par une chaîne neuve.
- L'épaisseur du copeau est déterminée par la différence de hauteur entre le limiteur de profondeur (nez rond) et le tranchant de la gouge.
- Les meilleurs résultats de coupe sont obtenus pour les différences de hauteur suivantes entre le limiteur de profondeur et le tranchant de la gouge.
 - Chaîne 90PX : 0,65 mm
 - Chaîne 91PX : 0,65 mm
 - Chaîne 25AP : 0,65 mm

► Fig.28

- L'angle d'affûtage de tous les tranchants de gouge doit être de 30°. Si les angles des tranchants sont inégaux, la chaîne tourne de manière irrégulière, s'use plus rapidement et risque de casser.
- Utilisez une lime ronde adaptée pour conserver le bon angle sur tous les tranchants.
 - Chaîne 90PX : 55°
 - Chaîne 91PX : 55°
 - Chaîne 25AP : 55°

Lime et limage

- Utilisez une lime ronde spéciale (accessoire en option) pour affûter la chaîne. Les limes rondes ordinaires ne conviennent pas.
- Le diamètre de la lime ronde varie en fonction du type de chaîne :
 - Chaîne 90PX : 4,5 mm
 - Chaîne 91PX : 4,0 mm
 - Chaîne 25AP : 4,0 mm
- La lime ne doit mordre le tranchant de la gouge qu'en avançant. Relevez la lime au retour.
- Affûtez d'abord le tranchant de gouge le plus court. La longueur du tranchant le plus court servira ensuite de référence pour toutes les autres tranchants de gouge de la chaîne.
- Passez la lime comme illustré sur la figure.

► Fig.29: 1. Lime 2. Chaîne

- Le limage sera plus facile si vous utilisez un porte-lime (accessoire en option). Le porte-lime comporte des repères indiquant le bon angle d'affûtage (30°) ; placez les repères parallèlement à la chaîne. Il limite aussi la profondeur de pénétration (max. 4/5 du diamètre de la lime).

► Fig.30: 1. Porte-lime

- Une fois la chaîne affûtée, vérifiez la hauteur du limiteur de profondeur à l'aide du gabarit de la chaîne (accessoire en option).

► Fig.31

- Supprimez toute aspérité restante, aussi petite soit-elle, à l'aide d'une lime plate spéciale (accessoire en option).
- Arrondissez encore une fois l'avant du limiteur de profondeur.

Nettoyage du guide-chaîne

Des copeaux et de la sciure peuvent s'accumuler dans la rainure du guide-chaîne. Ils risquent de boucher la rainure, et d'affecter la lubrification. Enlevez les copeaux et la sciure chaque fois que vous affûtez ou remplacez la chaîne de la tronçonneuse.

► Fig.32

Nettoyage du couvre-pignon

Des copeaux et de la sciure peuvent s'accumuler à l'intérieur du couvre-pignon. Retirez le couvre-pignon et la chaîne de l'outil, puis enlevez les copeaux et la sciure.

► Fig.33

Nettoyage de l'orifice de sortie de l'huile

Des poussières ou particules peuvent s'accumuler dans l'orifice de sortie de l'huile pendant l'utilisation. Ces poussières et particules peuvent affecter l'écoulement de l'huile, ce qui entraînerait une mauvaise lubrification de la totalité de la chaîne. Lorsque la partie supérieure du guide-chaîne n'est pas correctement alimentée en huile, nettoyez l'orifice de sortie de l'huile en procédant comme suit.

1. Retirez le couvre-pignon et la chaîne de l'outil.
2. Enlevez la poussière et les particules à l'aide d'un tournevis plat étroit ou équivalent.

► Fig.34: 1. Tournevis plat 2. Orifice de sortie de l'huile

3. Insérez la batterie dans l'outil. Appuyez sur la gâchette pour que les poussières et particules accumulées dans l'orifice de sortie de l'huile soient évacuées par l'écoulement de l'huile.
4. Retirez la batterie de l'outil. Remettez en place le couvre-pignon et la chaîne sur l'outil.

Remplacement du pignon

⚠ ATTENTION : Si vous utilisez une chaîne neuve avec un pignon usé, vous risquez d'endommager la chaîne. Dans ce cas, remplacez le pignon.

Avant de poser une chaîne neuve, vérifiez l'état du pignon.

► Fig.35: 1. Pignon 2. Zones d'usure

Posez toujours un circlip neuf lorsque vous remplacez le pignon.

► Fig.36: 1. Circlip 2. Pignon

REMARQUE : Veillez à installer le pignon comme indiqué sur la figure.

Remisage de l'outil

1. Nettoyez l'outil avant de le ranger. Enlevez les copeaux et la sciure de bois de l'outil après avoir retiré le couvre-pignon.
2. Après avoir nettoyé l'outil, faites le tourner à vide pour lubrifier la chaîne et le guide-chaîne.
3. Remettez le garde-chaîne sur le guide-chaîne.
4. Videz le réservoir d'huile.

Instructions d'entretien périodique

Pour assurer une bonne longévité, éviter les détériorations et garantir le bon fonctionnement des dispositifs de sécurité, réalisez régulièrement les travaux d'entretien suivants. La garantie n'est accordée que si ces travaux sont réalisés régulièrement et correctement. Le non-respect des obligations relatives aux travaux d'entretien peut entraîner des accidents ! L'utilisateur de la tronçonneuse ne doit pas réaliser de travaux d'entretien non décrits dans le manuel d'instruction. Tous ces travaux doivent être effectués par un centre technique agréé.

Élément à vérifier/Périodicité		Avant utilisation	Chaque jour	Chaque semaine	Tous les 3 mois	Tous les ans	Avant remisage
Tronçonneuse	Inspection	✓	-	-	-	-	-
	Nettoyage	-	✓	-	-	-	-
	Vérification par un centre technique agréé	-	-	-	-	✓	✓
Chaîne	Inspection	✓	-	-	-	-	-
	Aiguisage si nécessaire	-	-	-	-	-	✓
Guide-chaîne	Inspection	✓	✓	-	-	-	-
	Démontage	-	-	-	-	-	✓
Frein de chaîne	Vérification du fonctionnement	✓	-	-	-	-	-
	Inspection régulière par un centre technique agréé	-	-	-	✓	-	-
Lubrification de la chaîne	Vérification du débit de l'alimentation en huile	✓	-	-	-	-	-
Gâchette	Inspection	✓	-	-	-	-	-
Levier de sécurité	Inspection	✓	-	-	-	-	-
Bouchon du réservoir d'huile	Vérification du serrage	✓	-	-	-	-	-
Attrape-chaîne	Inspection	-	-	✓	-	-	-
Vis et écrous	Inspection	-	-	✓	-	-	-

GUIDE DE DÉPANNAGE

Avant de faire une demande de réparation, effectuez d'abord vous-même une inspection. Si vous rencontrez un problème non documenté dans le mode d'emploi, n'essayez pas de démonter l'outil. Demandez plutôt à un centre de service après-vente Makita agréé d'effectuer la réparation au moyen de pièces de rechange Makita.

Dysfonctionnement	Cause	Remède
La tronçonneuse ne démarre pas.	La batterie n'est pas installée.	Installez une batterie chargée.
	Problème de batterie (sous tension)	Rechargez les batteries. Si vous n'arrivez pas à recharger les batteries, remplacez-les.
	Interrupteur principal en position d'arrêt.	La tronçonneuse s'arrête automatiquement si elle n'est pas utilisée pendant un certain temps. Pour la redémarrer, appuyez de nouveau sur l'interrupteur principal.
La chaîne ne tourne pas.	Frein de chaîne activé.	Relâchez le frein de chaîne.
Le moteur arrête de tourner après une courte utilisation.	Faible niveau de charge de la batterie	Rechargez les batteries. Si vous n'arrivez pas à recharger les batteries, remplacez-les.
Pas d'huile sur la chaîne.	Réservoir d'huile vide	Remplissez le réservoir d'huile.
	La rainure de lubrification est encrassée.	Nettoyez la rainure de lubrification.
	Mauvaise alimentation en huile.	Réglez le débit de l'alimentation en huile à l'aide de la vis de réglage.
Impossible d'atteindre le plein régime.	La batterie est mal installée.	Installez les batteries comme décrit dans le présent manuel.
	La charge de la batterie baisse.	Rechargez la batterie. Si vous n'arrivez pas à recharger les batteries, remplacez-les.
	Le système d'entraînement ne fonctionne pas correctement.	Ces réparations doivent être effectuées par un centre technique agréé.
Le témoin d'alimentation clignote en vert.	Vous appuyez sur la gâchette dans des conditions ne permettant pas d'utiliser l'outil.	Appuyez sur la gâchette après avoir mis l'interrupteur principal en position de marche et libéré le frein de chaîne.
La chaîne ne s'arrête pas même lorsque le frein de chaîne est activé : arrêtez immédiatement la machine !	Bande de frein usée	Ces réparations doivent être effectuées par un centre technique agréé.
Vibrations anormales : arrêtez immédiatement la machine !	Guide-chaîne ou chaîne desserrés	Réglez le guide-chaîne et la tension de la chaîne.
	Dysfonctionnement de l'outil	Ces réparations doivent être effectuées par un centre technique agréé.
Le mode de dopage du couple n'est pas disponible après avoir remplacé la batterie par une batterie complètement chargée.	Selon les conditions d'utilisation, le mode de dopage du couple n'est pas disponible après le remplacement de la batterie.	Utilisez l'outil en mode normal jusqu'à ce que la batterie installée se vide, puis remplacez la batterie par une batterie complètement chargée ou rechargez-la.

ACCESSOIRES EN OPTION

⚠ ATTENTION : Ces accessoires ou pièces complémentaires sont recommandés pour l'utilisation avec l'outil Makita spécifié dans ce mode d'emploi. L'utilisation de tout autre accessoire ou pièce complémentaire peut comporter un risque de blessure. N'utilisez les accessoires ou pièces complémentaires qu'aux fins auxquelles ils ont été conçus.

Pour obtenir plus de détails sur ces accessoires, contactez votre centre d'entretien local Makita.

- Chaîne
- Guide-chaîne
- Garde-chaîne
- Pignon

- Griffes d'abattage
- Lime
- Sac de l'outil
- Batterie et chargeur de marque Makita

⚠ AVERTISSEMENT : Si vous achetez un guide-chaîne dont la longueur est différente de celle du guide-chaîne standard, achetez aussi un garde-chaîne adapté. Il doit être de la bonne taille et couvrir entièrement le guide-chaîne une fois en place.

NOTE : Il se peut que certains éléments de la liste soient compris dans l'emballage de l'outil en tant qu'accessoires standard. Ils peuvent varier d'un pays à l'autre.

TECHNISCHE DATEN

Modell:		DUC204	DUC254	DUC254C
Gesamtlänge (ohne Schwert)		256 mm		
Nennspannung		18 V Gleichstrom		
Nettogewicht		2,8 - 3,3 kg		
Standard-Schwertlänge		200 mm	250 mm	
Empfohlene Schwertlänge	mit 90PX	200 - 250 mm		-
	mit 91PX	-	250 mm	-
	mit 25AP	-		250 mm
Zutreffender Sägekettentyp (siehe die nachstehende Tabelle)		90PX	90PX 91PX	25AP
Standard-Kettenrad	Zähnezahl	6		9
	Teilung	3/8"		1/4"
Kettengeschwindigkeit		0 - 24 m/s (0 - 1.440 m/min)		0 - 22,5 m/s (0 - 1.350 m/min)
Kettenöltank-Inhalt		140 cm ³		

- Wir behalten uns vor, Änderungen der technischen Daten im Zuge der Entwicklung und des technischen Fortschritts ohne vorherige Ankündigung vorzunehmen.
- Die technischen Daten können von Land zu Land unterschiedlich sein.
- Das Gewicht kann abhängig von dem Aufsatz (den Aufsätzen), einschließlich des Akkus, unterschiedlich sein. Die leichteste und die schwerste Kombination, gemäß dem EPTA-Verfahren 01/2014, sind in der Tabelle angegeben.

Zutreffende Akkus

BL1815N / BL1820 / BL1820B / BL1830 / BL1830B / BL1840 / BL1840B / BL1850 / BL1850B / BL1860B

- Einige der oben aufgelisteten Akkus sind je nach Ihrem Wohngebiet eventuell nicht erhältlich.

⚠️ WARNUNG: Verwenden Sie nur die oben aufgeführten Akkus. Bei Verwendung irgendwelcher anderer Akkus besteht Verletzungs- und/oder Brandgefahr.

Sägeketten-, Schwert- und Kettenradkombination

Sägekettentyp		90PX	
Anzahl der Antriebsglieder		33	40
Schwert	Schwertlänge	200 mm	250 mm
	Schnittlänge	180 mm	244 mm
	Teilung	3/8"	
	Treibgliedstärke	1,1 mm	
	Typ	Umlenksternschwert	
Kettenrad	Zähnezahl	6	
	Teilung	3/8"	

Sägekettentyp		91PX	
Anzahl der Antriebsglieder		40	
Schwert	Schwertlänge	250 mm	
	Schnittlänge	244 mm	
	Teilung	3/8"	
	Treibgliedstärke	1,3 mm	
	Typ	Umlenksternschwert	
Kettenrad	Zähnezahl	6	
	Teilung	3/8"	

Sägekettentyp		25AP
Anzahl der Antriebsglieder		60
Schwert	Schwertlänge	250 mm
	Schnittlänge	250 mm
	Teilung	1/4"
	Treibgliedstärke	1,3 mm
	Typ	Carving-Schwert
Kettenrad	Zähnezahl	9
	Teilung	1/4"

ANMERKUNG: Benutzen Sie die Sägekette 25AP mit dem Kettenrad 9 (Sonderzubehör).

⚠️ WARNUNG: Verwenden Sie eine geeignete Kombination von Schwert und Sägekette. Anderenfalls kann es zu Personenschaden kommen.

Symbole

Nachfolgend werden die für das Gerät verwendeten Symbole beschrieben. Machen Sie sich vor der Benutzung mit ihrer Bedeutung vertraut.



Betriebsanleitung lesen.



Schutzbrille tragen.



Einen Gehörschutz tragen.



Helm, Schutzbrille und Gehörschutz tragen.



Angemessenen Schutz für Füße/Beine und Hände/Arme verwenden.



Diese Säge darf nur von fachlich geschulten Personen benutzt werden.



Keiner Feuchtigkeit aussetzen.



Höchstzulässige Schnittlänge



Halten Sie die Kettensäge beim Betrieb immer mit zwei Händen.



Kettenumlaufrichtung



Sägeketten-Öleinstellung



Ni-MH
Li-Ion

Nur für EU-Länder
Werfen Sie Elektrogeräte oder Akkus nicht in den Hausmüll!
Unter Einhaltung der Europäischen Richtlinie über Elektro- und Elektronik-Altgeräte, Batterien, Akkus sowie verbrauchte Batterien und Akkus und ihre Umsetzung gemäß den Landesgesetzen müssen Elektrogeräte und Batterien bzw. Akkus, die das Ende ihrer Lebensdauer erreicht haben, getrennt gesammelt und einer umweltgerechten Recycling-Einrichtung zugeführt werden.

Vorgesehene Verwendung

Das Werkzeug ist für das Schneiden von Ästen und Stützen von Bäumen vorgesehen. Es eignet sich auch für Baumpflege.

Geräusch

Typischer A-bewerteter Geräuschpegel ermittelt gemäß IEC62841-4-1:

Modell DUC204

Schalldruckpegel (L_{pA}): 92,2 dB (A)
Schallleistungspegel (L_{WA}): 103,2 dB (A)
Messunsicherheit (K): 2,5 dB (A)

Modell DUC254

Schalldruckpegel (L_{pA}): 92,2 dB (A)
Schalleleistungspegel (L_{WA}): 103,2 dB (A)
Messunsicherheit (K): 2,5 dB (A)

Modell DUC254C

Schalldruckpegel (L_{pA}): 92,2 dB (A)
Schalleleistungspegel (L_{WA}): 103,2 dB (A)
Messunsicherheit (K): 2,5 dB (A)

⚠️ WARNUNG: Einen Gehörschutz tragen.

Schwingungen

Schwingungsgesamtwert (Drei-Achsen-Vektorsumme) ermittelt gemäß IEC62841-4-1:

Modell DUC204

Arbeitsmodus: Schneiden von Holz
Schwingungsemission ($a_{h,w}$): 3,1 m/s²
Messunsicherheit (K): 1,5 m/s²

Modell DUC254

Arbeitsmodus: Schneiden von Holz
Schwingungsemission ($a_{h,w}$): 3,1 m/s²
Messunsicherheit (K): 1,5 m/s²

Modell DUC254C

Arbeitsmodus: Schneiden von Holz
Schwingungsemission ($a_{h,w}$): 4,1 m/s²
Messunsicherheit (K): 1,5 m/s²

HINWEIS: Der angegebene Schwingungsemissionswert wurde im Einklang mit der Standardprüfmethode gemessen und kann für den Vergleich zwischen Werkzeugen herangezogen werden.

HINWEIS: Der angegebene Schwingungsemissionswert kann auch für eine Vorbewertung des Gefährdungsgrads verwendet werden.

⚠️ WARNUNG: Die Schwingungsemission während der tatsächlichen Benutzung des Werkzeugs kann je nach der Benutzungsweise des Werkzeugs vom angegebenen Emissionswert abweichen.

⚠️ WARNUNG: Identifizieren Sie Sicherheitsmaßnahmen zum Schutz des Benutzers anhand einer Schätzung des Gefährdungsgrads unter den tatsächlichen Benutzungsbedingungen (unter Berücksichtigung aller Phasen des Arbeitszyklus, wie z. B. Ausschalt- und Leerlaufzeiten des Werkzeugs zusätzlich zur Betriebszeit).

EG-Konformitätserklärung

Nur für europäische Länder

Die EG-Konformitätserklärung ist als Anhang A in dieser Bedienungsanleitung enthalten.

SICHERHEITSWARNUNGEN

Allgemeine Sicherheitswarnungen für Elektrowerkzeuge

⚠️ WARNUNG: Lesen Sie alle mit diesem Elektrowerkzeug gelieferten Sicherheitswarnungen, Anweisungen, Abbildungen und technischen Daten durch. Eine Missachtung der unten aufgeführten Anweisungen kann zu einem elektrischen Schlag, Brand und/oder schweren Verletzungen führen.

Bewahren Sie alle Warnungen und Anweisungen für spätere Bezugnahme auf.

Der Ausdruck „Elektrowerkzeug“ in den Warnhinweisen bezieht sich auf Ihr mit Netzstrom (mit Kabel) oder Akku (ohne Kabel) betriebenes Elektrowerkzeug.

Sicherheitswarnungen für Akku-Kettensäge

1. Halten Sie alle Körperteile während des Betriebs der Kettensäge von der Sägekette fern. Vergewissern Sie sich vor dem Einschalten der Kettensäge, dass die Sägekette nicht mit irgendeinem Gegenstand in Berührung ist. Ein Augenblick der Unaufmerksamkeit während des Betriebs von Kettensägen kann dazu führen, dass Ihre Kleidung oder Körperteile von der Sägekette erfasst werden.
2. Halten Sie die Kettensäge stets mit Ihrer rechten Hand am oberen Handgriff und mit Ihrer linken Hand am vorderen Handgriff. Das Halten der Kettensäge mit vertauschter Handhaltung führt zu erhöhter Verletzungsgefahr und ist daher unbedingt zu vermeiden.
3. Das Elektrowerkzeug darf nur an den isolierten Griffflächen gehalten werden, weil die Sägekette verdeckte Leitungen berühren kann. Bei Kontakt mit einem Strom führenden Kabel können die freiliegenden Metallteile des Elektrowerkzeugs ebenfalls Strom führend werden, so dass der Benutzer einen elektrischen Schlag erleiden kann.

4. Tragen Sie eine Schutzbrille und einen Gehörschutz. Zusätzliche Schutzausrüstung für Kopf, Hände, Beine und Füße wird empfohlen. Geeignete Schutzkleidung reduziert die Verletzungsgefahr durch fliegende Trümmer oder versehentlichen Kontakt mit der Sägekette.
5. Achten Sie stets auf sicheren Stand.
6. Wenn Sie einen unter Spannung stehenden Ast abschneiden, achten Sie auf Zurückschnellen. Wenn sich die Spannung in den Holzfasern entlädt, kann der unter Spannung stehende Ast die Bedienungsperson treffen und/oder die Kettensäge außer Kontrolle bringen.
7. Lassen Sie beim Schneiden von Gestrüpp und jungen Bäumen äußerste Vorsicht walten. Die dünnen Äste können an der Sägekette hängen bleiben und gegen Sie geschleudert werden oder Sie aus dem Gleichgewicht bringen.
8. Tragen Sie die Kettensäge nach dem Ausschalten mit Abstand zu Ihrem Körper am vorderen Handgriff. Bringen Sie zum Transportieren oder Lagern der Kettensäge stets die Schwertschutzhülle an. Sachgemäße Handhabung der Kettensäge reduziert die Wahrscheinlichkeit einer versehentlichen Berührung der umlaufenden Sägekette.
9. Befolgen Sie die Anweisungen für die Schmierung, die Kettenspannung und den Austausch von Zubehör. Eine unsachgemäß gespannte oder geschmierte Kette kann entweder reißen oder die Gefahr von Rückschlägen erhöhen.
10. Halten Sie die Handgriffe trocken, sauber und frei von Öl und Fett. Fett- und ölverschmierte Handgriffe sind schlüpfrig und verursachen den Verlust der Kontrolle.
11. Schneiden Sie nur Holz. Verwenden Sie die Kettensäge nicht für sachfremde Zwecke. Zum Beispiel: Verwenden Sie die Kettensäge nicht zum Schneiden von Kunststoff, Mauerwerk oder Nicht-Holz-Baumaterial. Der Gebrauch der Kettensäge für sachfremde Zwecke kann zu einer Gefahrensituation führen.
12. Ursachen und Verhütung von Rückschlägen: Rückschläge können auftreten, wenn die Nase oder Spitze des Schwerts ein Objekt berührt, oder wenn sich das Holz schließt und die Sägekette im Schnitt einklemmt. Spitzenkontakt kann in manchen Fällen eine plötzliche Gegenreaktion verursachen, so dass das Schwert nach oben oder hinten zur Bedienungsperson geschleudert wird. Durch Einklemmen der Sägekette entlang dem oberen Lauf des Schwerts kann das Schwert zur Bedienungsperson zurückgeschleudert werden. Jede dieser Reaktionen kann zu einem Verlust der Kontrolle über die Säge und daraus resultierenden schweren Verletzungen führen. Verlassen Sie sich nicht ausschließlich auf die in Ihre Säge eingebauten Sicherheitsvorrichtungen. Als Kettensägenbenutzer sollten Sie bestimmte Maßnahmen ergreifen, um Ihre Sägearbeiten unfall- und verletzungsfrei zu halten. Rückschlag ist das Resultat falscher Handhabung des Werkzeugs und/oder falscher Arbeitsverfahren oder -bedingungen und kann durch Anwendung der nachstehenden Vorsichtsmaßnahmen vermieden werden:

- Halten Sie die Kettensäge beidhändig mit festem Griff, wobei Ihre Daumen und Finger die Handgriffe umschließen, und positionieren Sie Körper und Arme so, dass Sie Rückschlagkräfte auffangen können. Rückschlagkräfte können durch Treffen geeigneter Vorsichtsmaßnahmen von der Bedienungsperson kontrolliert werden. Lassen Sie die Kettensäge nicht los.
- **Abb.1**
- Übernehmen Sie sich nicht, und schneiden Sie nicht oberhalb der Schulterhöhe. Dies trägt zur Verhütung unbeabsichtigten Spitzenkontakts bei und ermöglicht bessere Kontrolle der Kettensäge in unerwarteten Situationen.
 - Verwenden Sie nur vom Hersteller empfohlene Schwerter und Ketten. Ungeeignete Schwerter und Ketten können Kettenbruch und/oder Rückschlag verursachen.
 - Befolgen Sie die Herstelleranweisungen zum Schärfen und Warten der Sägekette. Eine Verringerung der Tiefenbegrenzhöhe kann zu vermehrten Rückschlägen führen.
13. **Stellen Sie vor Arbeitsbeginn sicher, dass die Kettensäge in einwandfreiem Betriebszustand ist, und dass ihr Zustand den Sicherheitsvorschriften entspricht. Prüfen Sie insbesondere, dass:**
 - die Kettenbremse einwandfrei funktioniert;
 - die Auslaufbremse einwandfrei funktioniert;
 - Schwert und Kettenraddeckel korrekt angebracht sind;
 - die Kette vorschriftsmäßig geschärft und gespannt worden ist.
 14. **Schalten Sie die Kettensäge nicht mit noch angebrachtem Kettenschutz ein.** Wird die Kettensäge mit noch angebrachtem Kettenschutz eingeschaltet, kann der Kettenschutz nach vorn herausgeschleudert werden, was zu Personenschäden und Beschädigung von Gegenständen im Umfeld des Bedieners führen kann.

Spezielle Sicherheitshinweise für Kettensäge mit oberem Handgriff

1. **Diese Kettensäge ist speziell für Baumpflege und Baumchirurgie vorgesehen. Die Kettensäge darf nur von fachlich geschulten Personen benutzt werden. Befolgen Sie alle Anweisungen, Verfahrensweisen und Empfehlungen der relevanten Berufsgenossenschaft. Anderenfalls können tödliche Unfälle auftreten. Zum Sägen in Bäumen wird stets die Verwendung einer Hebebühne (Hubkorb, Lift) empfohlen. Abseiltechniken sind äußerst gefährlich und erfordern eine spezielle Ausbildung. Die Bedienungspersonen müssen im Gebrauch von Sicherheitsausrüstung und Klettertechniken geschult werden. Beim Arbeiten in Bäumen müssen stets geeignete Gurte, Seile und Karabiner verwendet werden. Benutzen Sie stets Rückhaltevorrichtungen für Bedienungsperson und Säge.**
2. **Führen Sie Reinigung und Wartung vor der Lagerung gemäß der Bedienungsanleitung durch.**

3. **Achten Sie beim Kfz-Transport auf sichere Lage der Kettensäge, um Auslaufen des Kraftstoff oder Kettenöl, Beschädigung des Werkzeugs und Personenschaden zu vermeiden.**
4. **Überprüfen Sie die Funktionsfähigkeit der Kettenbremse regelmäßig.**
5. **Füllen Sie Kettenöl nicht in der Nähe von Feuer ein. Rauchen Sie auf keinen Fall beim Einfüllen von Kettenöl.**
6. **Der Gebrauch der Kettensäge kann durch Vorschriften des jeweiligen Landes eingeschränkt sein.**
7. **Falls das Gerät einen schweren Aufprall oder Sturz erleidet, überprüfen Sie seinen Zustand, bevor Sie die Arbeit fortsetzen. Überprüfen Sie die Bedienelemente und Sicherheitsvorrichtungen auf Fehlfunktionen. Falls Sie einen Schaden feststellen oder Zweifel haben, wenden Sie sich bezüglich einer Inspektion und Reparatur an unser autorisiertes Service-Center.**
8. **Aktivieren Sie stets die Kettenbremse, bevor Sie die Kettensäge starten.**
9. **Halten Sie die Säge sicher in Position, um Abgleiten (Rutschbewegung) oder Springen der Säge am Anfang eines Schnitts zu vermeiden.**
10. **Achten Sie am Ende des Schnitts darauf, dass Sie wegen des „Abfalls“ nicht die Balance verlieren.**
11. **Windrichtung und -geschwindigkeit müssen ebenfalls berücksichtigt werden. Vermeiden Sie Sägemehl und Kettenölnebel.**

Schutzausrüstung

1. **Um Verletzungen von Kopf, Augen, Händen oder Füßen sowie Gehörschäden zu vermeiden, müssen die folgenden Schutzvorrichtungen während der Arbeit mit der Kettensäge verwendet werden:**
 - Die Kleidung soll zweckmäßig, d. h. eng anliegend, aber nicht hinderlich sein. Tragen Sie keine Schmuckgegenstände oder Kleidung, die sich an Buschwerk oder Ästen verfangen können. Wenn Sie langes Haar haben, sollten Sie unbedingt ein Haarnetz tragen!
 - Bei allen Arbeiten mit der Kettensäge ist das Tragen eines Schutzhelms notwendig. Der **Schutzhelm** muss in regelmäßigen Abständen auf Beschädigung hin überprüft und spätestens nach 5 Jahren ausgewechselt werden. Verwenden Sie nur geprüfte Schutzhelme.
 - Der **Gesichtsschutz** des Schutzhelms (oder eine Schutzbrille) schützt vor Sägemehl und Holzsplittern. Tragen Sie beim Arbeiten mit der Kettensäge stets eine Schutzbrille oder einen Gesichtsschutz, um Augenverletzungen zu verhüten.
 - Tragen Sie geeignete **Schallschutzausrüstung** (Kapselgehörschützer, Hörstöpsel usw.).
 - Die **Schutzjacke** besteht aus 22 Nylongewebelagen und schützt die Bedienungsperson vor Schnitten. Sie ist bei Arbeiten auf Hochbühnen (Hubkorb, Lift), leitermontierten Plattformen oder beim Klettern mit Seilen stets zu tragen.

- **Schutzgurt und Latzhose** bestehen aus 22 Nylongewebelagen und schützen vor Schneiden. Ihre Verwendung wird dringend empfohlen.
- **Schutzhandschuhe** aus dickem Leder gehören zur vorschriftsmäßigen Ausrüstung und sind beim Arbeiten mit der Kettensäge immer zu tragen.
- **Sicherheitsschuhe** oder **Sicherheitstiefel** mit rutschfester Sohle, Stahlkappen und Beinschutz sind beim Arbeiten mit der Kettensäge stets zu tragen. Mit einer Schutzzeilage versehene Sicherheitsschuhe bieten Schutz gegen Schnitte und gewährleisten einen sicheren Stand. Bei Arbeiten in Bäumen müssen die Sicherheitstiefel für Klettertechniken geeignet sein.

Vibrationen

1. Personen mit Kreislaufstörungen, die starken Vibrationen ausgesetzt werden, können Schädigungen der Blutgefäße oder des Nervensystems erleiden. Folgende Symptome können durch Schwingungen an Fingern, Händen oder Handgelenken auftreten: „Einschlafen“ (Taubheit) von Körperteilen, Kribbeln, Schmerz, Stechen, Veränderung von Hautfarbe oder Haut. **Falls eines dieser Symptome auftritt, suchen Sie einen Arzt auf!** Um das Risiko der „Weißfingerkrankheit“ zu verringern, halten Sie Ihre Hände während der Arbeit warm, und warten und pflegen Sie Gerät und Zubehörteile gut.

DIESE ANWEISUNGEN AUFBEWAHREN.

⚠️ WARNUNG: Lassen Sie sich NICHT durch Bequemlichkeit oder Vertrautheit mit dem Produkt (durch wiederholten Gebrauch erworben) von der strikten Einhaltung der Sicherheitsregeln für das vorliegende Produkt abhalten. MISSBRAUCH oder Missachtung der Sicherheitsvorschriften in dieser Anleitung können schwere Verletzungen verursachen.

Wichtige Sicherheitsanweisungen für Akku

1. **Lesen Sie vor der Benutzung des Akkus alle Anweisungen und Warnhinweise, die an (1) Ladegerät, (2) Akku und (3) Akkuwerkzeug angebracht sind.**
2. **Unterlassen Sie ein Zerlegen des Akkus.**
3. **Falls die Betriebszeit beträchtlich kürzer geworden ist, stellen Sie den Betrieb sofort ein. Anderenfalls besteht die Gefahr von Überhitzung, möglichen Verbrennungen und sogar einer Explosion.**
4. **Falls Elektrolyt in Ihre Augen gelangt, waschen Sie sie mit sauberem Wasser aus, und begeben Sie sich unverzüglich in ärztliche Behandlung. Anderenfalls können Sie Ihre Sehkraft verlieren.**
5. **Der Akku darf nicht kurzgeschlossen werden:**
 - (1) **Die Kontakte dürfen nicht mit leitfähigem Material berührt werden.**
 - (2) **Lagern Sie den Akku nicht in einem Behälter zusammen mit anderen Metallgegenständen, wie z. B. Nägel, Münzen usw.**

- (3) **Setzen Sie den Akku weder Wasser noch Regen aus.**

Ein Kurzschluss des Akkus verursacht starken Stromfluss, der Überhitzung, mögliche Verbrennungen und einen Defekt zur Folge haben kann.

6. **Lagern Sie das Werkzeug und den Akku nicht an Orten, an denen die Temperatur 50 °C erreichen oder überschreiten kann.**
7. **Versuchen Sie niemals, den Akku zu verbrennen, selbst wenn er stark beschädigt oder vollkommen verbraucht ist. Der Akku kann im Feuer explodieren.**
8. **Achten Sie darauf, dass der Akku nicht fallen gelassen oder Stößen ausgesetzt wird.**
9. **Benutzen Sie keine beschädigten Akkus.**
10. **Die enthaltenen Lithium-Ionen-Akkus unterliegen den Anforderungen der Gefahrgut-Gesetzgebung.** Für kommerzielle Transporte, z. B. durch Dritte oder Spediteure, müssen besondere Anforderungen zu Verpackung und Etikettierung beachtet werden. Zur Vorbereitung des zu transportierenden Artikels ist eine Beratung durch einen Experten für Gefahrgut erforderlich. Bitte beachten Sie möglicherweise ausführlichere nationale Vorschriften. Überkleben oder verdecken Sie offene Kontakte, und verpacken Sie den Akku so, dass er sich in der Verpackung nicht umher bewegen kann.
11. **Befolgen Sie die örtlichen Bestimmungen bezüglich der Entsorgung von Akkus.**
12. **Verwenden Sie die Akkus nur mit den von Makita angebotenen Produkten.** Das Einsetzen der Akkus in nicht konforme Produkte kann zu einem Brand, übermäßiger Hitzebildung, einer Explosion oder Auslaufen von Elektrolyt führen.

DIESE ANWEISUNGEN AUFBEWAHREN.

⚠️ VORSICHT: Verwenden Sie nur Original-Makita-Akkus. Die Verwendung von Nicht-Original-Makita-Akkus oder von Akkus, die abgeändert worden sind, kann zum Bersten des Akkus und daraus resultierenden Bränden, Personenschäden und Beschädigung führen. Außerdem wird dadurch die Makita-Garantie für das Makita-Werkzeug und -Ladegerät ungültig.

Hinweise zur Aufrechterhaltung der maximalen Akku-Nutzungsdauer

1. **Laden Sie den Akku, bevor er vollkommen erschöpft ist. Schalten Sie das Werkzeug stets aus, und laden Sie den Akku, wenn Sie ein Nachlassen der Werkzeugleistung feststellen.**
2. **Unterlassen Sie erneutes Laden eines voll aufgeladenen Akkus. Überladen führt zu einer Verkürzung der Nutzungsdauer des Akkus.**
3. **Laden Sie den Akku bei Raumtemperatur zwischen 10 – 40 °C. Lassen Sie einen heißen Akku abkühlen, bevor Sie ihn laden.**
4. **Der Akku muss geladen werden, wenn er lange Zeit (länger als sechs Monate) nicht benutzt wird.**

BEZEICHNUNG DER TEILE

► Abb.2

1	Auslöseschalter	2	Oberer Handgriff	3	Einschaltsperrhebel
4	Vorderer Handschutz	5	Schwert	6	Sägekette
7	Kettenfänger	8	Sicherungsmutter	9	Ketten-Einstellschraube
10	Späneführung	11	Akku	12	Hauptbetriebslampe
13	Hauptbetriebsschalter	14	Einstellschraube (für Ölpumpe)	15	Karabiner
16	Vorderer Handgriff	17	Öltankverschluss	18	Schwertschutzhülle

FUNKTIONSBESCHREIBUNG

⚠ VORSICHT: Vergewissern Sie sich vor der Durchführung von Einstellungen oder Funktionsprüfungen des Werkzeugs stets, dass das Werkzeug ausgeschaltet und der Akku abgenommen ist.

Anbringen und Abnehmen des Akkus

⚠ VORSICHT: Schalten Sie das Werkzeug stets aus, bevor Sie den Akku anbringen oder abnehmen.

⚠ VORSICHT: Halten Sie das Werkzeug und den Akku beim Anbringen oder Abnehmen des Akkus sicher fest. Wenn Sie das Werkzeug und den Akku nicht sicher festhalten, können sie Ihnen aus der Hand rutschen, was zu einer Beschädigung des Werkzeugs und des Akkus und zu Körperverletzungen führen kann.

► Abb.3: 1. Rote Anzeige 2. Knopf 3. Akku

Ziehen Sie den Akku zum Abnehmen vom Werkzeug ab, während Sie den Knopf an der Vorderseite des Akkus verschieben.

Richten Sie zum Anbringen des Akkus dessen Führungsfeder auf die Nut im Gehäuse aus, und schieben Sie den Akku hinein. Schieben Sie ihn vollständig ein, bis er mit einem hörbaren Klicken einrastet. Falls die rote Anzeige an der Oberseite des Knopfes sichtbar ist, ist der Akku nicht vollständig verriegelt.

⚠ VORSICHT: Schieben Sie den Akku stets bis zum Anschlag ein, bis die rote Anzeige nicht mehr sichtbar ist. Anderenfalls kann er aus dem Werkzeug herausfallen und Sie oder umstehende Personen verletzen.

⚠ VORSICHT: Unterlassen Sie Gewaltanwendung beim Anbringen des Akkus. Falls der Akku nicht reibungslos hineingleitet, ist er nicht richtig ausgerichtet.

Anzeigen der Akku-Restkapazität

Nur für Akkus mit Anzeige

► Abb.4: 1. Anzeigelampen 2. Prüftaste

Drücken Sie die Prüftaste am Akku, um die Akku-Restkapazität anzuzeigen. Die Anzeigelampen leuchten wenige Sekunden lang auf.

Anzeigelampen			Restkapazität
Erleuchtet	Aus	Blinkend	
■ ■ ■ ■		▧	75 % bis 100 %
■ ■ ■ □			50% bis 75%
■ ■ □ □			25% bis 50%
■ □ □ □			0% bis 25%
▧ □ □ □			Den Akku aufladen.
■ ■ □ □			Möglicherweise liegt eine Funktionsstörung im Akku vor.
□ □ ■ ■			

HINWEIS: Abhängig von den Benutzungsbedingungen und der Umgebungstemperatur kann die Anzeige geringfügig von der tatsächlichen Kapazität abweichen.

Werkzeug/Akku-Schutzsystem

Das Werkzeug ist mit einem Werkzeug/Akku-Schutzsystem ausgestattet. Dieses System schaltet die Stromversorgung des Motors automatisch ab, um die Lebensdauer von Werkzeug und Akku zu verlängern. Das Werkzeug bleibt während des Betriebs automatisch stehen, wenn das Werkzeug oder der Akku einer der folgenden Bedingungen unterliegt:

Überlastschutz

Wird der Akku auf eine Weise benutzt, die eine ungewöhnlich hohe Stromaufnahme bewirkt, bleibt das Werkzeug automatisch stehen, und die Hauptbetriebslampe blinkt in Grün. Schalten Sie in dieser Situation das Werkzeug aus, und brechen Sie die Arbeit ab, die eine Überlastung des Werkzeugs verursacht hat. Schalten Sie dann das Werkzeug wieder ein, um die Arbeit fortzusetzen.

Überhitzungsschutz

Wenn das Werkzeug oder der Akku überhitzt wird, bleibt das Werkzeug automatisch stehen, und die Hauptbetriebslampe leuchtet in Rot auf. Lassen Sie das Werkzeug und den Akku in diesem Fall abkühlen, bevor Sie das Werkzeug wieder einschalten.

HINWEIS: Bei hohen Umgebungstemperaturen neigt der Überhitzungsschutz zum Aktivieren, so dass das Werkzeug automatisch stehen bleibt.

Überentladungsschutz

Wenn die Akkukapazität nicht ausreicht, bleibt das Werkzeug automatisch stehen, und die Hauptbetriebslampe blinkt in Rot. Nehmen Sie in diesem Fall den Akku vom Werkzeug ab, und laden Sie ihn auf.

Hauptbetriebsschalter

⚠️ WARNUNG: Schalten Sie den Hauptbetriebsschalter stets aus, wenn das Werkzeug nicht benutzt wird.

Um das Werkzeug einzuschalten, drücken Sie den Hauptbetriebsschalter, bis die Hauptbetriebslampe in Grün aufleuchtet. Zum Ausschalten des Werkzeugs drücken Sie den Hauptbetriebsschalter erneut.

- **Abb.5:** 1. Hauptbetriebslampe
2. Hauptbetriebsschalter

HINWEIS: Die Hauptbetriebslampe blinkt in Grün, wenn der Auslöseschalter unter betriebsunfähigen Bedingungen betätigt wird. Die Lampe blinkt unter einer der folgenden Bedingungen.

- Wenn Sie den Hauptbetriebsschalter einschalten, während Sie den Einschaltsperrhebel und den Auslöseschalter gedrückt halten.
- Wenn Sie den Auslöseschalter bei angezogener Kettenbremse betätigen.
- Wenn Sie die Kettenbremse lösen, während Sie den Einschaltsperrhebel gedrückt halten und den Auslöseschalter betätigen.

HINWEIS: Diese Kettensäge verwendet die Abschaltautomatik. Um unbeabsichtigtes Anlaufen zu vermeiden, wird der Hauptbetriebsschalter automatisch abgeschaltet, wenn der Auslöseschalter eine bestimmte Zeitlang nach dem Einschalten des Hauptbetriebsschalters nicht betätigt wird.

Sie können das Werkzeug im Drehmoment-Verstärkungsmodus benutzen, um dicke oder harte Äste zu schneiden. Um das Werkzeug im Drehmoment-Verstärkungsmodus zu benutzen, drücken Sie den Hauptbetriebsschalter bei ausgeschaltetem Werkzeug ein paar Sekunden lang, bis die Hauptbetriebslampe in Gelb aufleuchtet.

HINWEIS: Sie können das Werkzeug bis zu 30 Sekunden lang im Drehmoment-Verstärkungsmodus benutzen. Abhängig von den Benutzungsbedingungen wechselt dieser Modus nach weniger als 30 Sekunden wieder in den Normalmodus.

HINWEIS: Falls die Hauptbetriebslampe in Gelb blinkt, wenn Sie den Hauptbetriebsschalter ein paar Sekunden lang drücken, ist der Drehmoment-Verstärkungsmodus nicht verfügbar. Befolgen Sie in diesem Fall die nachstehenden Schritte.

- Der Drehmoment-Verstärkungsmodus ist unmitelbar nach dem Schneidetrieb nicht verfügbar. Warten Sie länger als 10 Sekunden, bevor Sie den Hauptbetriebsschalter erneut drücken.
- Falls Sie den Drehmoment-Verstärkungsmodus mehrmals benutzen, wird der Gebrauch des Drehmoment-Verstärkungsmodus zum Schutz des Akkus eingeschränkt. Falls der Drehmoment-Verstärkungsmodus nach einer Wartezeit von mehr als 10 Sekunden nicht verfügbar ist, ersetzen Sie den Akku durch einen voll aufgeladenen, oder laden Sie den Akku auf.

HINWEIS: Falls die Hauptbetriebslampe in Rot aufleuchtet oder in Rot oder Grün blinkt, nehmen Sie auf die Anweisungen für das Werkzeug/Akku-Schutzsystem Bezug.

HINWEIS: Der Drehmoment-Verstärkungsmodus kann nicht benutzt werden, wenn einer der Akkus BL1815N, BL1820 oder BL1820B installiert ist.

Schalterfunktion

⚠️ WARNUNG: Aus Sicherheitsgründen ist dieses Werkzeug mit einem Einschaltsperrhebel ausgestattet, der versehentliches Einschalten des Werkzeugs verhindert. Benutzen Sie das Werkzeug NIEMALS, wenn es durch einfache Betätigung des Auslöseschalters eingeschaltet werden kann, ohne den Einschaltsperrhebel zu drücken. Lassen Sie das Werkzeug von einem unserer autorisierten Service-Center ordnungsgemäß reparieren, BEVOR Sie es weiter benutzen.

⚠️ WARNUNG: Der Einschaltsperrhebel darf NIEMALS festgeklebt oder funktionsunfähig gemacht werden.

⚠️ VORSICHT: Vergewissern Sie sich vor dem Einsetzen des Akkus in das Werkzeug stets, dass der Ein-Aus-Schalter ordnungsgemäß funktioniert und beim Loslassen in die AUS-Stellung zurückkehrt.

ANMERKUNG: Betätigen Sie den Ein-Aus-Schalter nicht gewaltsam, ohne den Einschaltsperrhebel zu drücken. Dies kann zu Beschädigung des Schalters führen.

Um versehentliche Betätigung des Auslöseschalters zu verhindern, ist das Werkzeug mit einem Einschaltsperrhebel ausgestattet. Zum Starten des Werkzeugs drücken Sie erst den Einschaltsperrhebel und betätigen dann den Auslöseschalter. Die Drehzahl erhöht sich durch verstärkte Druckausübung auf den Auslöseschalter. Zum Anhalten lassen Sie den Auslöseschalter los.

- **Abb.6:** 1. Auslöseschalter 2. Einschaltsperrhebel

Überprüfen der Kettenbremse

⚠ VORSICHT: Halten Sie die Kettensäge beim Einschalten mit beiden Händen. Halten Sie den oberen Handgriff mit der rechten, und den Frontgriff mit der linken Hand. Dabei dürfen Schwert und Kette mit keinem Gegenstand in Berührung sein.

⚠ VORSICHT: Sollte die Sägekette bei der Durchführung dieser Prüfung nicht sofort anhalten, darf die Säge unter keinen Umständen benutzt werden. Konsultieren Sie unser autorisiertes Service-Center.

1. Drücken Sie den Einschaltsperrhebel, und betätigen Sie dann den Auslöseschalter. Die Sägekette läuft sofort an.
2. Schieben Sie den vorderen Handschutz mit dem Handrücken vorwärts. Vergewissern Sie sich, dass die Kettensäge zum unverzüglichen Stillstand kommt.
▶ **Abb.7:** 1. Vorderer Handschutz 2. Entriegelte Position 3. Verriegelte Position

Überprüfen der Auslaufbremse

⚠ VORSICHT: Falls die Sägekette bei dieser Prüfung nicht innerhalb von zwei Sekunden stehen bleibt, benutzen Sie die Kettensäge nicht weiter, und konsultieren Sie unser autorisiertes Service-Center.

Lassen Sie die Kettensäge laufen, und geben Sie dann den Auslöseschalter vollkommen frei. Die Sägekette muss innerhalb von zwei Sekunden zum Stillstand kommen.

Einstellen der Kettenschmierung

Die Ölpumpen-Fördermenge kann durch Drehen der Einstellschraube mit dem Universalschlüssel reguliert werden. Die Ölmenge kann in 3 Schritten eingestellt werden.

▶ **Abb.8:** 1. Einstellschraube

Karabiner (Seilbefestigungspunkt)

Sie können das Werkzeug aufhängen, indem Sie das Seil am Karabiner anbringen. Ziehen Sie den Karabiner hoch, und binden Sie ihn dann mit dem Seil fest.

Elektronikfunktionen

Das Werkzeug ist für komfortablen Betrieb mit Elektronikfunktionen ausgestattet.

- Sanftanlauf
Die Sanftanlauf-Funktion reduziert Anlaufstöße auf ein Minimum und bewirkt ruckfreies Anlaufen des Werkzeugs.

MONTAGE

⚠ VORSICHT: Vergewissern Sie sich vor der Ausführung von Arbeiten am Werkzeug stets, dass das Werkzeug ausgeschaltet und der Akku abgenommen ist.

⚠ VORSICHT: Berühren Sie die Sägekette nicht mit bloßen Händen. Tragen Sie stets Handschuhe bei der Handhabung der Sägekette.

Demontieren oder Montieren der Sägekette

⚠ VORSICHT: Sägekette und Schwert sind unmittelbar nach dem Betrieb noch heiß. Lassen Sie die Teile ausreichend abkühlen, bevor Sie irgendwelche Arbeiten am Werkzeug ausführen.

⚠ VORSICHT: Führen Sie die Montage oder Demontage der Sägekette an einem sauberen Ort aus, der frei von Sägemehl und dergleichen ist.

Zum Abnehmen der Sägekette müssen die folgenden Schritte ausgeführt werden:

1. Lösen Sie die Kettenbremse, indem Sie den vorderen Handschutz ziehen.
2. Lösen Sie die Ketten-Einstellschraube, dann die Sicherungsmutter.

▶ **Abb.9:** 1. Ketten-Einstellschraube
2. Sicherungsmutter

3. Den Kettenraddeckel entfernen, und dann die Sägekette und das Schwert vom Kettensägen-Hauptteil abnehmen.

Zum Anbringen der Sägekette müssen die folgenden Schritte ausgeführt werden:

1. Überprüfen Sie die Laufrichtung der Sägekette. Passen Sie die Laufrichtung der Sägekette an die Richtung der Markierung am Kettensägengehäuse an.
2. Legen Sie ein Ende der Sägekette auf die Oberseite des Schwerts.

3. Legen Sie das andere Ende der Sägekette um das Kettenrad, und bringen Sie dann das Schwert am Kettensägengehäuse an, wobei Sie das Loch im Schwert auf den Stift am Kettensägengehäuse ausrichten.

▶ **Abb.10:** 1. Kettenrad 2. Loch

4. Führen Sie den Vorsprung am Kettenraddeckel in das Kettensägengehäuse ein, und schließen Sie dann den Deckel, so dass die Schraube und die Stifte am Kettensägengehäuse auf ihre Gegenstücke am Deckel ausgerichtet sind.

▶ **Abb.11:** 1. Vorsprung 2. Kettenraddeckel
3. Schraube 4. Stift

5. Ziehen Sie die Sicherungsmutter an, um den Kettenraddeckel zu sichern, und lösen Sie sie dann ein wenig für die Spannungseinstellung.

▶ **Abb.12:** 1. Sicherungsmutter

Einstellen der Sägekettenspannung

⚠ VORSICHT: Straffen Sie die Sägekette nicht zu sehr. Eine übermäßig hohe Spannung der Sägekette kann zu einem Bruch der Sägekette, Verschleiß des Schwerts und Bruch des Stellrads führen.

⚠ VORSICHT: Eine zu lockere Kette kann vom Schwert springen und stellt somit eine Verletzungsgefahr dar.

Die Sägekette kann sich nach vielen Betriebsstunden lockern. Überprüfen Sie daher die Sägekettenspannung von Zeit zu Zeit vor dem Gebrauch.

1. Lösen Sie die Kettenbremse, indem Sie den vorderen Handschutz ziehen.
2. Lösen Sie die Sicherungsmutter ein wenig, um den Kettenraddeckel geringfügig zu lösen.
► **Abb.13:** 1. Sicherungsmutter
3. Heben Sie die Schwertschneide leicht an, und stellen Sie die Kettenspannung ein. Drehen Sie die Ketten-Einstellschraube zum Anziehen im Uhrzeigersinn, und zum Lösen entgegen dem Uhrzeigersinn.

Für Kettenblatt 90PX und 91PX:

Straffen Sie die Sägekette, bis ihr unterer Abschnitt wie abgebildet in der Schwertschiene ruht.

- **Abb.14:** 1. Schwert 2. Sägekette
3. Ketten-Einstellschraube

Für Kettenblatt 25AP:

Straffen Sie die Sägekette, so dass der Abstand zwischen der Mitte der Unterseite des Schwerts und der Sägekette ca. 1 mm bis 2 mm beträgt.

4. Das Schwert leicht festhalten, und den Kettenraddeckel festziehen.

Für Kettenblatt 90PX und 91PX:

Sicherstellen, dass sich der untere Abschnitt der Sägekette nicht lockert.

Für Kettenblatt 25AP:

Vergewissern Sie sich, dass der Abstand zwischen der Mitte der Unterseite des Schwerts und der Sägekette ca. 1 mm bis 2 mm beträgt.

5. Ziehen Sie die Sicherungsmutter an, um den Kettenraddeckel zu sichern.
► **Abb.15:** 1. Sicherungsmutter

Vergewissern Sie sich, dass die Sägekette fest an der Unterseite des Schwerts anliegt.

Krallenanschlag

Sonderzubehör

Zum Schneiden von dicken Ästen wird der Gebrauch des Krallenanschlags empfohlen. Montieren Sie den Krallenanschlag nach dem folgenden Verfahren:

1. Entfernen Sie Kettenraddeckel, Sägekette und Schwert.
2. Richten Sie die Löcher des Krallenanschlags auf die Löcher im Kettensägengehäuse aus, und ziehen Sie dann die Schrauben fest.
► **Abb.16:** 1. Schraube 2. Krallenanschlag

BETRIEB

Schmierung

Die Sägekette wird während des Betriebs des Werkzeugs automatisch geschmiert. Überprüfen Sie die im Öltank verbleibende Ölmenge durch das Ölstand-Prüffenster.

Zum Auffüllen des Öltanks die Kettensäge auf ihre Seite legen und den Öltankverschluss entfernen. Die korrekte Ölmenge beträgt 140 ml. Vergewissern Sie sich nach dem Auffüllen des Öltanks, dass der Öltankverschluss sicher festgezogen ist.

► **Abb.17:** 1. Öltankverschluss 2. Ölstand-Prüffenster

Halten Sie die Kettensäge nach dem Auffüllen vom Baum abgewandt. Starten Sie die Säge, und warten Sie, bis eine angemessene Schmierung der Sägekette erreicht ist.

► **Abb.18**

ANMERKUNG: Wenn Sie das Kettenöl zum ersten Mal einfüllen oder den völlig leeren Öltank auffüllen, füllen Sie Öl bis zur Unterkante des Einfüllstutzens ein. Anderenfalls kann die Ölzuführung beeinträchtigt werden.

ANMERKUNG: Verwenden Sie exklusives Sägekettenöl für Makita-Kettensägen oder auf dem Markt erhältliches gleichwertiges Öl.

ANMERKUNG: Verwenden Sie keinesfalls Öl, das Staub und Fremdkörper enthält, oder leichtflüchtiges Öl.

ANMERKUNG: Verwenden Sie zum Beschneiden von Bäumen botanisches Öl. Mineralöl kann Bäume schädigen.

ANMERKUNG: Vergewissern Sie sich vor der Schneidarbeit, dass der mitgelieferte Öltankverschluss angebracht ist.

ARBEITEN MIT DER KETTENSÄGE

⚠ VORSICHT: Anfänger sollten, als minimale Übung, Rundholzstämmen auf einem Sägebock oder einem Gestell schneiden.

⚠ VORSICHT: Verwenden Sie beim Sägen von Schnittholz eine sichere Auflage (Sägebock oder Gestell). Halten Sie das Werkstück nicht mit Ihrem Fuß fest, und lassen Sie es auch nicht von einer anderen Person festhalten.

⚠ VORSICHT: Rundhölzer sind gegen Verdrehen im Schnitt zu sichern.

⚠ VORSICHT: Führen Sie die Kettensäge so, dass sich kein Körperteil im verlängerten Schwenkbereich der Sägekette befindet.

⚠ VORSICHT: Bei jeder Arbeit ist die Kettensäge mit beiden Händen festzuhalten, nur so kann sie jederzeit sicher geführt werden.

⚠ VORSICHT: Beugen Sie sich beim Betrieb nicht zu weit vor. Achten Sie bei der Arbeit stets auf sicheren Stand.

ANMERKUNG: Hinwerfen oder Fallenlassen des Werkzeugs sind unbedingt zu vermeiden.

ANMERKUNG: Verdecken Sie nicht die Lüftungsöffnungen des Werkzeugs.

Stützen von Bäumen

Bringen Sie das Kettensägengehäuse vor dem Einschalten mit dem zu schneidenden Ast in Berührung. Anderenfalls kann das Schwert ins Flattern geraten, was zu einer Verletzung der Bedienungsperson führen kann. Sägen Sie das zu schneidende Holz, indem Sie die Kettensäge durch ihr Eigengewicht sinken lassen.

► **Abb.19**

Wenn das Holz nicht in einem Arbeitsgang gesägt werden kann:

Üben Sie leichten Druck auf den Handgriff aus, während Sie den Sägebetrieb fortsetzen und die Kettensäge ein wenig zurückziehen.

► **Abb.20**

Um dicke Äste zu schneiden, machen Sie zuerst einen flachen Unterschnitt und dann den Endschnitt von oben.

► **Abb.21**

Falls Sie versuchen, dicke Äste von unten abzuschneiden, kann sich der Ast senken und die Sägekette im Schnitt einklemmen. Falls Sie versuchen, dicke Äste ohne flachen Unterschnitt von oben abzuschneiden, kann der Ast splintern.

► **Abb.22**

Ablängen

1. Setzen Sie das Kettensägengehäuse auf das zu schneidende Holz auf.

► **Abb.23**

2. Sägen Sie mit laufender Sägekette in das Holz, während Sie die Säge mit dem oberen Handgriff anheben und mit dem vorderen Handgriff führen.

3. Setzen Sie den Schnitt fort, indem Sie leichten Druck auf den oberen Handgriff ausüben und die Säge geringfügig zurückziehen.

ANMERKUNG: Wenn Sie mehrere Schnitte ausführen, schalten Sie die Kettensäge zwischen den Schnitten aus.

VORSICHT: Wird die Oberkante des Schwerts zum Schneiden verwendet, kann die Kettensäge in Ihre Richtung abgelenkt werden, falls die Kette eingeklemmt wird. Schneiden Sie aus diesem Grund mit der Unterkante, so dass die Säge von Ihrem Körper weg abgelenkt wird.

► **Abb.24**

Schneiden Sie unter Spannung stehendes Holz zuerst auf der Druckseite (A) ein. Machen Sie dann den Endschnitt auf der Spannungsseite (B). Dadurch wird Einklemmen des Schwerts verhindert.

► **Abb.25**

Entasten

VORSICHT: Entasten darf nur von geschulten Personen durchgeführt werden. Es besteht Rückschlaggefahr.

Stützen Sie die Kettensäge beim Entasten nach Möglichkeit am Stamm ab. Schneiden Sie nicht mit der Schwertschulter, weil dabei Rückschlaggefahr besteht. Beachten Sie besonders unter Spannung stehende Äste. Trennen Sie frei hängende Äste nicht von unten durch. Stellen Sie sich beim Entasten nicht auf den gefällten Stamm.

Tragen des Werkzeugs

Ziehen Sie vor dem Tragen des Werkzeugs immer die Kettenbremse an, und nehmen Sie die Akkus vom Werkzeug ab. Bringen Sie dann die Schwertschutzhülle an. Decken Sie außerdem den Akku mit der Akkuabdeckung ab.

► **Abb.26:** 1. Schwertschutzhülle 2. Akkuabdeckung

WARTUNG

VORSICHT: Vergewissern Sie sich vor der Durchführung von Inspektions- oder Wartungsarbeiten stets, dass das Werkzeug ausgeschaltet und der Akku abgenommen ist.

VORSICHT: Tragen Sie beim Ausführen von Überprüfungs- und Instandhaltungsarbeiten unbedingt Arbeitshandschuhe.

ANMERKUNG: Verwenden Sie auf keinen Fall Benzin, Waschbenzin, Verdünner, Alkohol oder dergleichen. Solche Mittel können Verfärbung, Verformung oder Rissbildung verursachen.

Um die SICHERHEIT und ZUVERLÄSSIGKEIT dieses Produkts zu gewährleisten, sollten Reparaturen und andere Wartungs- oder Einstellarbeiten nur von Makita-Vertragswerkstätten oder Makita-Kundendienstzentren unter ausschließlicher Verwendung von Makita-Originalersatzteilen ausgeführt werden.

Schärfen der Sägekette

Schärfen Sie die Sägekette, wenn:

- beim Schneiden von feuchtem Holz mehliges Sägemehl erzeugt wird;
- die Kette selbst bei Ausübung starken Drucks nur schwach in das Holz eindringt;
- die Schneidzahnkante sichtbar beschädigt ist;
- die Säge im Holz nach links oder rechts zieht. (Der Grund für dieses Verhalten ist ungleichmäßige Schärfung der Sägekette, oder einseitige Beschädigung.)

Schärfen Sie die Sägekette häufig, aber tragen Sie jedes Mal nur wenig Material ab. Zwei bis drei Hiebe mit einer Feile sind gewöhnlich für eine routinemäßige Nachschärfung ausreichend. Wenn die Sägekette mehrmals nachgeschärft worden ist, lassen Sie sie in unserem autorisierten Service-Center schärfen.

Schärfungskriterien:

⚠️ WARNUNG: Ein übermäßig großer Abstand zwischen der Schneidzahnkante und dem Tiefenbegrenzer erhöht die Rückschlaggefahr.

► **Abb.27:** 1. Schneidzahnlänge 2. Abstand zwischen Schneidzahnkante und Tiefenbegrenzer 3. Minimale Schneidzahnlänge (3 mm)

- Alle Schneidzahnängen müssen gleich sein. Unterschiedliche Schneidzahnängen verhindern reibungslosen Lauf der Sägekette und können einen Bruch der Sägekette verursachen.
- Schärfen Sie die Kette nicht weiter, wenn eine Schneidzahnlänge von 3 mm oder weniger erreicht ist. Die Kette muss durch eine neue ersetzt werden.
- Die Spandicke wird durch den Abstand zwischen dem Tiefenbegrenzer (runde Nase) und der Schneidzahnkante bestimmt.
- Die besten Schneidergebnisse werden mit folgendem Abstand zwischen Schneidzahnkante und Tiefenbegrenzer erzielt.
 - Kettenblatt 90PX: 0,65 mm
 - Kettenblatt 91PX: 0,65 mm
 - Kettenblatt 25AP: 0,65 mm

► **Abb.28**

- Der Schärfungswinkel von 30° muss bei allen Schneidgliedern gleich sein. Unterschiedliche Schneidgliedwinkel verursachen rauen und ungleichmäßigen Kettenlauf, beschleunigen den Verschleiß und führen zu Kettenbruch.
- Verwenden Sie eine geeignete Rundfeile, so dass der korrekte Schärfungswinkel zu den Zähnen eingehalten wird.
 - Kettenblatt 90PX: 55°
 - Kettenblatt 91PX: 55°
 - Kettenblatt 25AP: 55°

Feile und Feilenführung

- Verwenden Sie eine spezielle Rundfeile (Sonderzubehör) für Sägeketten zum Schärfen der Kette. Normale Rundfeilen sind ungeeignet.
- Der Durchmesser der Rundfeile für die jeweilige Sägekette ist wie folgt:
 - Kettenblatt 90PX: 4,5 mm
 - Kettenblatt 91PX: 4,0 mm
 - Kettenblatt 25AP: 4,0 mm
- Nur beim Vorwärtshub der Feile sollte Material abgetragen werden. Heben Sie die Feile beim Rückwärtshub vom Schneidglied ab.
- Schärfen Sie das kürzeste Schneidglied zuerst. Die Länge dieses kürzesten Schneidglieds dient dann als Sollmaß für alle übrigen Schneidglieder der Sägekette.
- Führen Sie die Feile, wie in der Abbildung gezeigt.

► **Abb.29:** 1. Feile 2. Sägekette

- Die Feile kann leichter geführt werden, wenn ein Feilenhalter (Sonderzubehör) verwendet wird. Der Feilenhalter weist Markierungen für den korrekten Schärfungswinkel von 30° auf (die Markierungen parallel zur Sägekette ausrichten) und begrenzt die Eindringtiefe (auf 4/5 des Feilendurchmessers).

► **Abb.30:** 1. Feilenhalter

- Überprüfen Sie nach dem Schärfen der Kette die Höhe des Tiefenbegrenzers mithilfe der Kettenmesslehre (Sonderzubehör).

► **Abb.31**

- Entfernen Sie etwaige Rauigkeiten, wie klein auch immer, mit einer speziellen Flachfeile (Sonderzubehör).
- Runden Sie die Vorderkante des Tiefenbegrenzers erneut ab.

Reinigen des Schwerts

Späne und Sägemehl sammeln sich in der Führungsnut des Schwerts an. Der Führungsnut des Schwerts wird dadurch zugesetzt und der Ölfluss wird behindert. Entfernen Sie Späne und Sägemehl jedes Mal, wenn Sie die Sägekette schärfen oder auswechseln.

► **Abb.32**

Reinigen des Kettenraddeckels

Späne und Sägemehl sammeln sich im Kettenraddeckel an. Entfernen Sie den Kettenraddeckel und die Sägekette vom Werkzeug, und beseitigen Sie dann Späne und Sägemehl.

► **Abb.33**

Reinigen der Ölauslassöffnung

Kleine Staubpartikel oder Fremdkörper können sich während des Betriebs in der Ölauslassöffnung ansammeln. Diese können den Ölfluss behindern und unzureichende Schmierung auf der ganzen Sägekette verursachen. Wenn schlechte Ölzufuhr an der Oberseite des Schwerts auftritt, reinigen Sie die Ölauslassöffnung wie folgt.

1. Entfernen Sie den Kettenraddeckel und die Sägekette vom Werkzeug.
2. Entfernen Sie kleine Staubkörner oder Partikel mit einem Schlitzschraubendreher mit schmalem Schaft oder dergleichen.

► **Abb.34:** 1. Schlitzschraubendreher
2. Ölauslassöffnung

3. Setzen Sie den Akku in das Werkzeug ein. Betätigen Sie den Auslöseschalter, um abgelagerte Staubpartikel oder Fremdkörper durch Ablassen des Kettenöls aus der Ölauslassöffnung auszuschwemmen.
4. Nehmen Sie den Akku vom Werkzeug ab. Montieren Sie den Kettenraddeckel und die Sägekette wieder am Werkzeug.

Auswechseln des Kettenrads

⚠️ VORSICHT: Ein verschlissenes Kettenrad beschädigt eine neue Sägekette. Wechseln Sie in diesem Fall das Kettenrad aus.

Bevor Sie eine neue Sägekette anbringen, überprüfen Sie den Zustand des Kettenrads.

► **Abb.35:** 1. Kettenrad 2. Abnutzungsbereiche

Bringen Sie beim Auswechseln des Kettenrads stets einen neuen Sicherungsring an.

► **Abb.36:** 1. Sicherungsring 2. Kettenrad

ANMERKUNG: Vergewissern Sie sich, dass das Kettenrad so montiert wird, wie in der Abbildung gezeigt.

Lagern des Werkzeugs

1. Reinigen Sie das Werkzeug vor der Lagerung. Entfernen Sie etwaige Späne und Sägemehl vom Werkzeug, nachdem Sie den Kettenraddeckel abmontiert haben.
2. Lassen Sie das Werkzeug nach der Reinigung unter Nulllast laufen, um die Sägekette und das Schwert zu schmieren.
3. Schützen Sie das Schwert mit der Schwertschutzhülle.
4. Entleeren Sie den Öltank.

Anweisungen für regelmäßige Wartung

Um eine lange Lebensdauer zu gewährleisten, Schäden zu verhüten und die volle Funktion der Sicherheitseinrichtungen sicherzustellen, müssen die folgenden Wartungsarbeiten regelmäßig durchgeführt werden. Garantieansprüche werden nur dann anerkannt, wenn diese Arbeiten regelmäßig und ordnungsgemäß ausgeführt werden. Eine Vernachlässigung der vorgeschriebenen Wartungsarbeiten kann zu Unfällen führen! Der Benutzer der Kettensäge darf nur Wartungsarbeiten durchführen, die in dieser Bedienungsanleitung beschrieben sind. Darüber hinausgehende Arbeiten müssen von unserem autorisierten Service-Center ausgeführt werden.

Prüfpunkt/Betriebszeit		Vor dem Betrieb	Täglich	Wöchentlich	Alle 3 Monate	Jährlich	Vor der Lagerung
Kettensäge	Überprüfung.	✓	-	-	-	-	-
	Reinigung.	-	✓	-	-	-	-
	Von autorisiertem Service-Center prüfen lassen.	-	-	-	-	✓	✓
Sägekette	Überprüfung.	✓	-	-	-	-	-
	Nötigenfalls schärfen.	-	-	-	-	-	✓
Schwert	Überprüfung.	✓	✓	-	-	-	-
	Von der Kettensäge abnehmen.	-	-	-	-	-	✓
Kettenbremse	Funktion überprüfen.	✓	-	-	-	-	-
	Regelmäßig von autorisiertem Service-Center überprüfen lassen.	-	-	-	✓	-	-
Kettenschmierung	Ölfördermenge überprüfen.	✓	-	-	-	-	-
Auslöseschalter	Überprüfung.	✓	-	-	-	-	-
Einschaltperrhebel	Überprüfung.	✓	-	-	-	-	-
Öltankverschluss	Festigkeit überprüfen.	✓	-	-	-	-	-
Kettenfänger	Überprüfung.	-	-	✓	-	-	-
Schrauben und Muttern	Überprüfung.	-	-	✓	-	-	-

FEHLERSUCHE

Bevor Sie den Reparaturdienst anrufen, führen Sie zunächst Ihre eigene Inspektion durch. Falls Sie ein Problem finden, das nicht in der Anleitung erläutert wird, versuchen Sie nicht, das Werkzeug zu zerlegen. Wenden Sie sich stattdessen an autorisierte Makita-Kundendienstzentren, und achten Sie darauf, dass stets Makita-Ersatzteile für Reparaturen verwendet werden.

Störungszustand	Ursache	Abhilfemaßnahme
Die Kettensäge läuft nicht an.	Der Akku ist nicht eingesetzt.	Setzen Sie einen geladenen Akku ein.
	Akkustörung (niedrige Spannung).	Laden Sie die Akkus auf. Falls Laden unwirksam ist, tauschen Sie den Akku aus.
	Hauptbetriebsschalter ist ausgeschaltet.	Die Kettensäge schaltet sich automatisch aus, wenn sie eine bestimmte Zeitlang unbenutzt bleibt. Schalten Sie den Hauptbetriebsschalter wieder ein.
Die Sägekette läuft nicht.	Kettenbremse aktiviert.	Kettenbremse lösen.
Der Motor bleibt nach kurzer Zeit stehen.	Der Ladestand des Akkus ist niedrig.	Laden Sie die Akkus auf. Falls Laden unwirksam ist, tauschen Sie den Akku aus.
Kein Öl auf der Kette.	Der Öltank ist leer.	Öltank füllen.
	Die Ölführungsnut ist verschmutzt.	Nut reinigen.
	Schlechte Ölförderung.	Stellen Sie die Ölfördermenge mit der Einstellschraube ein.
Die Kettensäge erreicht die Maximaldrehzahl nicht.	Der Akku ist falsch eingesetzt.	Setzen Sie die Akkus gemäß der Beschreibung in dieser Anleitung ein.
	Die Akkuleistung lässt nach.	Laden Sie den Akku auf. Falls Laden unwirksam ist, tauschen Sie den Akku aus.
	Das Antriebssystem funktioniert nicht korrekt.	Wenden Sie sich bezüglich einer Reparatur an ein autorisiertes Service-Center in Ihrer Region.
Die Hauptbetriebslampe blinkt in Grün.	Der Auslöseschalter wird unter einer betriebsunfähigen Bedingung betätigt.	Betätigen Sie den Auslöseschalter erst, nachdem Sie den Hauptbetriebsschalter einschaltet und die Kettenbremse gelöst haben.
Die Kette bleibt trotz Aktivierung der Kettenbremse nicht stehen: Die Maschine unverzüglich stoppen!	Das Bremsband ist abgenutzt.	Wenden Sie sich bezüglich einer Reparatur an ein autorisiertes Service-Center in Ihrer Region.
Ungewöhnliche Vibration: Die Maschine unverzüglich stoppen!	Schwert oder Sägekette ist locker.	Schwert und Sägekettenspannung einstellen.
	Fehlfunktion des Werkzeugs.	Wenden Sie sich bezüglich einer Reparatur an ein autorisiertes Service-Center in Ihrer Region.
Der Drehmoment-Verstärkungsmodus ist nicht verfügbar, nachdem der Akku durch einen voll aufgeladenen ersetzt worden ist.	Abhängig von den Benutzungsbedingungen ist der Drehmoment-Verstärkungsmodus nach dem Austauschen des Akkus nicht verfügbar.	Benutzen Sie das Werkzeug im Normalmodus, bis der eingesetzte Akku leer wird, und ersetzen Sie dann den Akku durch einen voll aufgeladenen, oder laden Sie den Akku auf.

SONDERZUBEHÖR

⚠ VORSICHT: Die folgenden Zubehörteile oder Vorrichtungen werden für den Einsatz mit dem in dieser Anleitung beschriebenen Makita-Werkzeug empfohlen. Die Verwendung anderer Zubehörteile oder Vorrichtungen kann eine Verletzungsgefahr darstellen. Verwenden Sie Zubehörteile oder Vorrichtungen nur für ihren vorgesehenen Zweck.

Wenn Sie weitere Einzelheiten bezüglich dieser Zubehörteile benötigen, wenden Sie sich bitte an Ihre Makita-Kundendienststelle.

- Sägekette
- Schwert
- Schwertschutzhülle

- Kettenrad
- Krallenanschlag
- Feile
- Werkzeugtasche
- Original-Makita-Akku und -Ladegerät

⚠ WARNUNG: Wenn Sie ein Schwert kaufen, dessen Länge von der des Standardschwerts abweicht, kaufen Sie gleichzeitig auch eine passende Schwertschutzhülle. Die Schwertschutzhülle muss passen und das Schwert an der Kettensäge vollständig abdecken.

HINWEIS: Manche Teile in der Liste können als Standardzubehör im Werkzeugsatz enthalten sein. Sie können von Land zu Land unterschiedlich sein.

DATI TECNICI

Modello:		DUC204	DUC254	DUC254C
Lunghezza complessiva (senza barra guida)		256 mm		
Tensione nominale		18 V C.C.		
Peso netto		Da 2,8 a 3,3 kg		
Lunghezza barra guida standard		200 mm	250 mm	
Lunghezza consigliata barra guida	con il modello 90PX	Da 200 a 250 mm		-
	con il modello 91PX	-	250 mm	-
	con il modello 25AP	-		250 mm
Tipo di catena della sega applicabile (fare riferimento alla tabella seguente)		90PX	90PX 91PX	25AP
Rocchetto standard	Numero di denti	6		9
	Passo	3/8"		1/4"
Velocità catena		Da 0 a 24 m/s (Da 0 a 1.440 m/min)		Da 0 a 22,5 m/s (Da 0 a 1.350 m/min)
Volume serbatoio olio catena		140 cm ³		

- A causa del nostro programma continuativo di ricerca e sviluppo, i dati tecnici sono soggetti a modifiche senza preavviso.
- Le caratteristiche tecniche possono variare da una nazione all'altra.
- Il peso può variare a seconda dell'accessorio o degli accessori, inclusa la cartuccia della batteria. La combinazione più leggera e quella più pesante, secondo la procedura EPTA 01/2014, sono indicate nella tabella.

Cartuccia della batteria applicabile

BL1815N / BL1820 / BL1820B / BL1830 / BL1830B / BL1840 / BL1840B / BL1850 / BL1850B / BL1860B

- Alcune cartucce delle batterie elencate sopra potrebbero non essere disponibili a seconda della propria area geografica di residenza.

⚠AVVERTIMENTO: Utilizzare solo le cartucce delle batterie elencate sopra. L'utilizzo di altre cartucce delle batterie potrebbe causare lesioni personali e/o un incendio.

Combinazione di catena della sega, barra guida e rocchetto

Tipo di catena della sega		90PX	
Numero di maglie motrici		33	40
Barra guida	Lunghezza barra guida	200 mm	250 mm
	Lunghezza di taglio	180 mm	244 mm
	Passo	3/8"	
	Spessore	1,1 mm	
	Tipo	Barra con estremità a rocchetto	
Rocchetto	Numero di denti	6	
	Passo	3/8"	

Tipo di catena della sega		91PX	
Numero di maglie motrici		40	
Barra guida	Lunghezza barra guida	250 mm	
	Lunghezza di taglio	244 mm	
	Passo	3/8"	
	Spessore	1,3 mm	
	Tipo	Barra con estremità a rocchetto	
Rocchetto	Numero di denti	6	
	Passo	3/8"	

Tipo di catena della sega		25AP
Numero di maglie motrici		60
Barra guida	Lunghezza barra guida	250 mm
	Lunghezza di taglio	250 mm
	Passo	1/4"
	Spessore	1,3 mm
	Tipo	Barra di intaglio
Rocchetto	Numero di denti	9
	Passo	1/4"

AVVISO: Quando si utilizza la catena della sega 25AP, utilizzarla con il rocchetto 9 (accessorio opzionale).

AVVERTIMENTO: Utilizzare una combinazione appropriata di barra di guida e catena della sega. In caso contrario, si potrebbero causare lesioni personali.

Simboli

La figura seguente mostra i simboli utilizzati per l'apparecchio. Accertarsi di comprendere il loro significato prima dell'uso.

	Leggere il manuale d'uso.
	Indossare occhiali di sicurezza.
	Indossare protezioni per le orecchie.
	Indossare un elmetto, occhiali protettivi e protezioni acustiche.
	Utilizzare protezioni appropriate per piedi, gambe, mani e braccia.
	Questa sega va utilizzata solo da operatori addestrati correttamente.
	Non esporre all'umidità.
	Lunghezza di taglio massima consentita
	Utilizzare sempre due mani quando si fa funzionare la motosega.
	Direzione di corsa della catena
	Regolazione dell'olio per la catena della sega
	Solo per le nazioni dell'EU Non smaltire apparecchiature elettriche o batterie insieme ai rifiuti domestici! In osservanza delle Direttive Europee sui rifiuti di apparecchiature elettriche ed elettroniche (RAEE), sulle batterie e gli accumulatori, nonché sulle batterie e gli accumulatori esausti, e dell'implementazione di tali direttive in conformità alle leggi locali, gli apparecchi elettrici e la/e batteria/e che hanno raggiunto la fine della loro vita utile devono essere raccolti separatamente e conferiti a una struttura di smaltimento ecocompatibile.

Utilizzo previsto

Questo utensile è destinato al taglio di rami e alla potatura di alberi. È anche idoneo per la manutenzione degli alberi.

Rumore

Livello tipico di rumore pesato A determinato in base allo standard IEC62841-4-1:

Modello DUC204

Livello di pressione sonora (L_{pA}): 92,2 dB (A)

Livello di potenza sonora (L_{WA}): 103,2 dB (A)

Incertezza (K): 2,5 dB (A)

Modello DUC254

Livello di pressione sonora (L_{pA}): 92,2 dB (A)

Livello di potenza sonora (L_{WA}): 103,2 dB (A)

Incertezza (K): 2,5 dB (A)

Modello DUC254C

Livello di pressione sonora (L_{pA}): 92,2 dB (A)

Livello di potenza sonora (L_{WA}): 103,2 dB (A)

Incertezza (K): 2,5 dB (A)

AVVERTIMENTO: Indossare protezioni per le orecchie.

Vibrazioni

Valore totale delle vibrazioni (somma vettoriale triassiale) determinato in base allo standard IEC62841-4-1:

Modello DUC204

Modalità di lavoro: taglio del legno

Emissione di vibrazioni ($a_{h,W}$): 3,1 m/s²

Incertezza (K): 1,5 m/s²

Modello DUC254

Modalità di lavoro: taglio del legno

Emissione di vibrazioni ($a_{h,W}$): 3,1 m/s²

Incertezza (K): 1,5 m/s²

Modello DUC254C

Modalità di lavoro: taglio del legno

Emissione di vibrazioni ($a_{h,W}$): 4,1 m/s²

Incertezza (K): 1,5 m/s²

NOTA: Il valore di emissione delle vibrazioni dichiarato è stato misurato in conformità al metodo standard di verifica, e può essere utilizzato per confrontare un utensile con un altro.

NOTA: Il valore di emissione delle vibrazioni dichiarato può venire utilizzato anche per una valutazione preliminare dell'esposizione.

AVVERTIMENTO: L'emissione delle vibrazioni durante l'utilizzo effettivo dell'utensile elettrico può variare rispetto al valore di emissione dichiarato, a seconda dei modi in cui viene utilizzato l'utensile.

AVVERTIMENTO: Accertarsi di identificare le misure di sicurezza per la protezione dell'operatore basate sulla stima dell'esposizione nelle condizioni effettive di utilizzo (tenendo presente tutte le parti del ciclo operativo, ad esempio le volte in cui l'utensile viene spento e quando gira a vuoto, oltre al tempo di attivazione).

Dichiarazione di conformità CE

Solo per i paesi europei

La dichiarazione di conformità CE è inclusa nell'Allegato A al presente manuale di istruzioni.

AVVERTENZE DI SICUREZZA

Avvertenze generali relative alla sicurezza dell'utensile elettrico

AVVERTIMENTO: Leggere tutte le avvertenze di sicurezza, le istruzioni, le illustrazioni e i dati tecnici forniti con il presente utensile elettrico. La mancata osservanza di tutte le istruzioni elencate di seguito potrebbe risultare in scosse elettriche, incendi e/o gravi lesioni personali.

Conservare tutte le avvertenze e le istruzioni come riferimento futuro.

Il termine "utensile elettrico" nelle avvertenze si riferisce sia all'utensile elettrico (cablato) nel funzionamento alimentato da rete elettrica che all'utensile elettrico (a batteria) nel funzionamento alimentato a batteria.

Avvertenze di sicurezza relative alla motosega a batteria

1. **Tenere tutte le parti del corpo lontane dalla catena della sega quando la motosega è in funzione.** Prima di avviare la motosega, accertarsi che la catena della sega non sia in contatto con alcun oggetto. Un attimo di disattenzione durante l'utilizzo della motosega potrebbe far impigliare gli indumenti indossati o il corpo dell'utente nella catena della sega.
2. **Mantenere sempre la motosega con la mano destra sull'impugnatura superiore e la mano sinistra sull'impugnatura anteriore.** Qualora si mantenga la motosega con le mani in posizione invertita si aumenta il rischio di lesioni personali, e pertanto ciò va sempre evitato.

3. **Tenere l'utensile elettrico solo per le superfici di impugnatura isolate, in quanto la catena della sega potrebbe entrare in contatto con fili elettrici nascosti.** Qualora la catena della sega entri in contatto con un filo elettrico sotto tensione, potrebbe mettere sotto tensione le parti metalliche esposte dell'utensile elettrico e dare una scossa elettrica all'operatore.
4. **Indossare occhiali di protezione e protezioni per le orecchie.** Si consigliano anche attrezzature di protezione aggiuntive per testa, mani, gambe e piedi. Indumenti di protezione adeguati riducono le lesioni personali causate dai detriti volanti o dal contatto accidentale con la catena della sega.
5. **Mantenere sempre un appoggio corretto sui piedi.**
6. **Quando si taglia un grosso ramo sottoposto a tensione, fare attenzione al rinculo.** Quando la tensione delle fibre del legno viene rilasciata, il ramo, caricato come una molla, potrebbe colpire l'operatore e/o lanciare la motosega fuori controllo.
7. **Adottare la massima attenzione quando si intendere tagliare siepi e alberelli.** Il materiale sottile potrebbe rimanere impigliato nella catena della sega e venire scagliato come una frusta verso l'utente o tirarlo facendogli perdere l'equilibrio.
8. **Trasportare la motosega per l'impugnatura anteriore, tenendola spenta e lontana dal corpo. Quando si intende trasportare o riporre la motosega, montare sempre il copribarra.** Se si maneggia correttamente la motosega, si riduce la probabilità di contatto accidentale con la catena della sega in movimento.
9. **Seguire le istruzioni per la lubrificazione, il tensionamento della catena e la sostituzione degli accessori.** Una catena tensionata o lubrificata in modo errato potrebbe rompersi o incrementare la possibilità di contraccolpi.
10. **Mantenere le impugnature asciutte, pulite e prive di olio o grasso.** Impugnature unte o oleose sono scivolose e causano la perdita di controllo.
11. **Tagliare esclusivamente legno. La motosega non deve essere usata per scopi non previsti.** Ad esempio: non utilizzare la motosega per tagliare plastica, muratura o materiali da costruzione non in legno. L'utilizzo della motosega per operazioni diverse da quelle previste potrebbe risultare in situazioni pericolose.
12. **Cause e prevenzione dei contraccolpi da parte dell'operatore:**
I contraccolpi possono verificarsi quando l'estremità o la punta della barra guida tocca un oggetto, o quando il legno si richiude e fa incastrare la catena della sega nel taglio. Il contatto della punta in alcuni casi potrebbe causare un'improvvisa reazione inversa, spingendo con forza la barra guida verso l'alto e all'indietro verso l'operatore. Se la catena della sega resta incastrata lungo la parte superiore della barra guida, quest'ultima potrebbe venire spinta rapidamente all'indietro verso l'operatore. Queste reazioni potrebbero causare la perdita di controllo della sega, che potrebbe risultare il gravi lesioni personali. Non bisogna affidarsi esclusivamente ai dispositivi di sicurezza incorporati nella sega. L'utente della motosega deve adottare svariate misure per evitare incidenti o lesioni personali nei lavori di taglio. Il contraccolpo è il risultato dell'uso improprio e/o di procedure o condizioni operative errate, e può essere evitato adottando le precauzioni appropriate indicate di seguito.

- Mantenere una presa salda, con i pollici e le dita che circondano le impugnature della motosega, con entrambe le mani sulla sega, e posizionare il proprio corpo e le braccia in modo da riuscire a resistere alla forza dei contraccolpi. La forza dei contraccolpi può venire controllata dall'operatore adottando le dovute precauzioni. Non lasciare mai la presa sulla motosega.

► Fig.1

- Non sporgersi eccessivamente e non tagliare al di sopra dell'altezza delle spalle. Ciò contribuisce ad evitare il contatto involontario della punta e consente un controllo migliore della motosega in situazioni impreviste.
 - Utilizzare esclusivamente barre e catene di ricambio specificate dal produttore. Barre e catene di ricambio errate potrebbero causare la rottura della catena e/o contraccolpi.
 - Attenersi alle istruzioni del produttore per l'affilatura e la manutenzione della catena della sega. La riduzione dell'altezza del limitatore di profondità può portare a un aumento dei contraccolpi.
13. **Prima di iniziare il lavoro, verificare che la motosega sia perfettamente funzionante e che le sue condizioni siano conformi alle normative di sicurezza. In particolare verificare quanto segue:**
- Che il freno catena funzioni correttamente;
 - Che il freno inerziale funzioni correttamente;
 - Che la barra e il coperchio del rocchetto siano montati correttamente;
 - Che la catena sia stata affilata e tensionata secondo le normative.
14. **Non avviare la motosega con la copertura della catena installata su quest'ultima.** Qualora si avvii la motosega con la copertura della catena installata su quest'ultima, la copertura potrebbe venire scagliata in avanti, causando lesioni personali e danni alle cose intorno all'operatore.

Avvertenze di sicurezza specifiche relative alla motosega con impugnatura superiore

1. **Questa motosega è progettata specificamente per la cura degli alberi e l'arboricoltura. La motosega è destinata all'utilizzo esclusivamente da parte di persone correttamente addestrate. Attenersi a tutte le istruzioni, le procedure e i consigli dell'organismo professionale pertinente. In caso contrario, si potrebbero verificare incidenti mortali. Si consiglia di utilizzare sempre una piattaforma di sollevamento (idroscala, sollevatore) per effettuare tagli negli alberi. Le tecniche di discesa in corda doppia sono estremamente pericolose e richiedono un addestramento speciale. Gli operatori devono venire addestrati per familiarizzare con l'uso delle attrezzature di sicurezza e le tecniche di arrampicata. Utilizzare sempre cinghie, corde e moschettoni appropriati, quando si intende lavorare negli alberi. Utilizzare sempre un'attrezzatura frenante sia per l'operatore che per la sega.**

2. **Effettuare la pulizia e la manutenzione prima della conservazione, attenendosi al manuale d'uso.**
3. **Assicurare un posizionamento in sicurezza della motosega durante il trasporto in auto, per evitare perdite di carburante o di olio catena, danneggiamenti dell'utensile e lesioni personali.**
4. **Controllare a intervalli regolari la funzionalità del freno catena.**
5. **Non rabboccare l'olio catena in prossimità di fiamme esposte. Non fumare mai quando si rabbocca l'olio catena.**
6. **Le normative nazionali potrebbero limitare l'utilizzo della motosega.**
7. **Qualora l'apparecchio subisca un impatto violento o una caduta, controllarne le condizioni prima di continuare il lavoro. Controllare l'eventuale presenza di malfunzionamenti nei controlli e nei dispositivi di sicurezza. In caso di eventuali danni o dubbi, rivolgersi a un nostro centro di assistenza autorizzato per l'ispezione e le riparazioni.**
8. **Attivare sempre il freno catena prima di avviare la motosega.**
9. **Mantenere saldamente in posizione la sega per evitare il pattinamento (movimento di slittamento) o il rimbalzo della sega quando si inizia un taglio.**
10. **Alla fine del taglio, fare attenzione a mantenere l'equilibrio a causa dell'effetto "caduta".**
11. **Tenere conto della direzione e della velocità del vento. Evitare la segatura e la nebbia di olio catena.**

Attrezzatura protettiva

1. **Per evitare lesioni alla testa, agli occhi, alle mani o ai piedi, nonché per proteggere l'udito, durante l'utilizzo della motosega è necessario utilizzare l'attrezzatura protettiva seguente:**
 - Il tipo di abbigliamento deve essere appropriato, vale a dire che deve essere aderente al corpo, ma senza ostacolare i movimenti. Non indossare gioielli o indumenti che potrebbero restare impigliati in cespugli o arbusti. Se si portano i capelli lunghi, indossare sempre una reticella per capelli.
 - È necessario indossare un casco di protezione ogni volta che si lavora con la motosega. Il **casco di protezione** va controllato a intervalli regolari alla ricerca di eventuali danni e va sostituito dopo un massimo di 5 anni. Utilizzare esclusivamente caschi di protezione omologati.
 - La **visiera** del casco di protezione (o gli occhialoni) proteggono dalla segatura e dalle schegge di legno. Durante il funzionamento della motosega indossare sempre occhialoni o una visiera per evitare lesioni agli occhi.
 - Indossare **attrezzature di protezione dai rumori** adeguate (cuffie antirumore, tappi auricolari, e così via).
 - La **giacca di protezione** è composta da 22 strati di nylon e protegge l'operatore dai tagli. Deve sempre essere indossata quando si lavora da piattaforme sopraelevate (idroscala, sollevatori), da piattaforme montate su scale o quando si intende arrampicarsi con delle corde.

- La **salopette da lavoro protettiva** è fabbricata in tessuto di nylon a 22 strati, e protegge dai tagli. Se ne consiglia caldamente l'utilizzo.
- I **guanti protettivi** fabbricati in pelle spessa fanno parte dell'attrezzatura obbligatoria, e devono essere sempre indossati durante il funzionamento della motosega.
- Durante il funzionamento della motosega è necessario indossare sempre **scarpe antinfortunistiche** o **scarponi antinfortunistici** dotati di soles antiscivolo e punte in acciaio, nonché protezioni per le gambe. Le scarpe antinfortunistiche, dotate di uno strato protettivo, forniscono protezione dai tagli e assicurano una presa salda sui piedi. Per lavorare sugli alberi, gli scarponi antinfortunistici devono essere idonei alle tecniche di arrampicata.

Vibrazioni

1. Le persone che soffrono di cattiva circolazione e che siano esposte a vibrazioni eccessive potrebbero essere soggette a lesioni ai vasi sanguigni o al sistema nervoso. Le vibrazioni possono causare il verificarsi dei seguenti sintomi alle dita, alle mani e ai polsi: "Addormentamento" (intorpidimento), formicolii, dolori, fitte, alterazione del colore della pelle o della pelle stessa. **Qualora si verifichi un qualsiasi sintomo tra questi, consultare un medico.** Per ridurre il rischio della cosiddetta "sindrome del dito bianco", tenere calde le mani durante l'uso e mantenere in buone condizioni l'attrezzatura e gli accessori.

CONSERVARE LE PRESENTI ISTRUZIONI.

⚠AVVERTIMENTO: NON lasciare che la comodità o la familiarità d'uso con il prodotto (acquisita con l'uso ripetuto) sostituiscano la stretta osservanza delle norme di sicurezza. L'USO IMPROPRIO o la mancata osservanza delle norme di sicurezza riportate nel presente manuale manuale di istruzioni potrebbero causare lesioni personali gravi.

Istruzioni di sicurezza importanti per la cartuccia della batteria

1. Prima di utilizzare la cartuccia della batteria, leggere tutte le istruzioni e le avvertenze riportate (1) sul caricabatteria, (2) sulla batteria e (3) sul prodotto che utilizza la batteria.
2. Non smontare la cartuccia della batteria.
3. Qualora il tempo di utilizzo si riduca eccessivamente, interrompere immediatamente l'utilizzo dell'utensile. In caso contrario, si può incorrere nel rischio di surriscaldamento, possibili ustioni e persino un'esplosione.
4. Qualora l'elettrolita entri in contatto con gli occhi, sciacquarli con acqua pulita e richiedere immediatamente assistenza medica. Questa eventualità può risultare nella perdita della vista.
5. Non cortocircuitare la cartuccia della batteria:
 - (1) Non toccare i terminali con alcun materiale conduttivo.
 - (2) Evitare di conservare la cartuccia della batteria in un contenitore insieme ad altri oggetti metallici quali chiodi, monete, e così via.

- (3) Non esporre la cartuccia della batteria all'acqua o alla pioggia.

Un cortocircuito della batteria può causare un grande flusso di corrente, un surriscaldamento, possibili ustioni e persino un guasto.

6. Non conservare l'utensile e la cartuccia della batteria in ubicazioni in cui la temperatura possa raggiungere o superare i 50°C.
7. Non incenerire la cartuccia della batteria anche qualora sia gravemente danneggiata o completamente esaurita. La cartuccia della batteria può esplodere se a contatto con il fuoco.
8. Fare attenzione a non far cadere e a non colpire la batteria.
9. Non utilizzare una batteria danneggiata.
10. Le batterie a ioni di litio contenute sono soggette ai requisiti del regolamento sul trasporto di merci pericolose (Dangerous Goods Legislation). Per trasporti commerciali, ad esempio da parte di terzi o spedizionieri, è necessario osservare dei requisiti speciali sull'imballaggio e sull'etichetta. Per la preparazione dell'articolo da spedire, è richiesta la consulenza di un esperto in materiali pericolosi. Attenersi anche alle normative nazionali, che potrebbero essere più dettagliate. Nastrare o coprire i contatti aperti e imballare la batteria in modo tale che non si possa muovere liberamente all'interno dell'imballaggio.
11. Attenersi alle normative locali relative allo smaltimento della batteria.
12. Utilizzare le batterie esclusivamente con i prodotti specificati da Makita. L'installazione delle batterie in prodotti non compatibili potrebbe risultare in incendi, calore eccessivo, esplosioni o perdite di liquido elettrolitico.

CONSERVARE LE PRESENTI ISTRUZIONI.

⚠ATTENZIONE: Utilizzare solo batterie originali Makita. L'utilizzo di batterie Makita non originali, o di batterie che siano state alterate, potrebbe risultare nello scoppio della batteria, causando incendi, lesioni personali e danni. Inoltre, ciò potrebbe invalidare la garanzia Makita per l'utensile e il caricabatteria Makita.

Suggerimenti per preservare la durata massima della batteria

1. Caricare la cartuccia della batteria prima che si scarichi completamente. Smettere sempre di utilizzare l'utensile e caricare la cartuccia della batteria quando si nota che la potenza dell'utensile è diminuita.
2. Non ricaricare mai una cartuccia della batteria completamente carica. La sovraccarica riduce la vita utile della batteria.
3. Caricare la cartuccia della batteria a una temperatura ambiente compresa tra 10°C e 40°C. Lasciar raffreddare una cartuccia della batteria prima di caricarla.
4. Caricare la cartuccia della batteria se non la si è utilizzata per un periodo di tempo prolungato (più di sei mesi).

DESCRIZIONE DELLE PARTI

► Fig.2

1	Interruttore a grilletto	2	Impugnatura superiore	3	Leva di sblocco
4	Paramano anteriore	5	Barra guida	6	Catena della sega
7	Fermacatena	8	Dado di fissaggio	9	Vite di regolazione della catena
10	Guida schegge	11	Cartuccia della batteria	12	Indicatore luminoso di accensione principale
13	Interruttore di accensione principale	14	Vite di regolazione (per la pompa dell'olio)	15	Moschettone
16	Impugnatura anteriore	17	Tappo del serbatoio dell'olio	18	Copribarra

DESCRIZIONE DELLE FUNZIONI

⚠ATTENZIONE: Accertarsi sempre che l'utensile sia spento e che la cartuccia della batteria sia stata rimossa prima di regolare o di controllare il funzionamento dell'utensile.

Installazione o rimozione della cartuccia della batteria

⚠ATTENZIONE: Spegnere sempre l'utensile prima di installare o rimuovere la cartuccia della batteria.

⚠ATTENZIONE: Mantenere saldamente lo strumento e la batteria quando si intende installare o rimuovere la cartuccia della batteria. Qualora non si mantengano saldamente lo strumento e la cartuccia della batteria, questi ultimi potrebbero scivolare dalle mani, con la possibilità di causare un danneggiamento dello strumento e della cartuccia della batteria, nonché una lesione personale.

► Fig.3: 1. Indicatore rosso 2. Pulsante 3. Cartuccia della batteria

Per rimuovere la cartuccia della batteria, farla scorrere via dall'utensile mentre si fa scorrere allo stesso tempo il pulsante sulla parte anteriore della cartuccia.

Per installare la cartuccia della batteria, allineare l'appendice della batteria con la scanalatura nell'alloggiamento e farla scivolare in sede. Inserirli completamente fino al suo blocco in sede con un leggero scatto. Se è possibile vedere l'indicatore rosso sul lato superiore del pulsante, la batteria non è bloccata completamente.

⚠ATTENZIONE: Installare sempre fino in fondo la cartuccia della batteria, fino a quando l'indicatore rosso non è più visibile. In caso contrario, la batteria potrebbe cadere accidentalmente dall'utensile, causando lesioni personali all'operatore o a chi gli è vicino.

⚠ATTENZIONE: Non installare forzatamente la cartuccia della batteria. Qualora la batteria non si inserisca scorrendo agevolmente, vuol dire che non viene inserita correttamente.

Indicazione della carica residua della batteria

Solo per cartucce delle batterie dotate di indicatore

► Fig.4: 1. Indicatori luminosi 2. Pulsante di controllo

Premere il pulsante di controllo sulla cartuccia della batteria per indicare la carica residua della batteria. Gli indicatori luminosi si illuminano per alcuni secondi.

Indicatori luminosi			Carica residua
■ Illuminato	□ Spento	▬ Lampeggiante	
■ ■ ■ ■			Dal 75% al 100%
■ ■ ■ □			Dal 50% al 75%
■ ■ □ □			Dal 25% al 50%
■ □ □ □			Dallo 0% al 25%
▬ □ □ □			Caricare la batteria.
■ ■ □ □			La batteria potrebbe essersi guastata.
□ □ ■ ■			

NOTA: A seconda delle condizioni d'uso e della temperatura ambiente, l'indicazione potrebbe variare leggermente rispetto alla carica effettiva.

Sistema di protezione strumento/batteria

L'utensile è dotato di un sistema di protezione dell'utensile stesso e della batteria. Tale sistema interrompe automaticamente l'alimentazione al motore per prolungare la vita utile dell'utensile e della batteria. L'utensile si arresta automaticamente durante il funzionamento, qualora l'utensile o la batteria vengano a trovarsi in una delle condizioni seguenti:

Protezione dal sovraccarico

Quando la batteria viene utilizzata in un modo che causi un assorbimento di corrente elevato in modo anomalo, l'utensile si arresta automaticamente e l'indicatore luminoso di accensione principale lampeggia in verde. In tal caso, spegnere l'utensile e interrompere l'applicazione che ha causato il sovraccarico. Quindi, riaccendere l'utensile per riavviarlo.

Protezione dal surriscaldamento

Quando l'utensile o la batteria sono surriscaldati, l'utensile si arresta automaticamente, e l'indicatore luminoso di accensione principale si illumina in rosso. In tal caso, lasciare che l'utensile e la batteria si raffreddino prima di riaccendere l'utensile.

NOTA: In un ambiente dalla temperatura elevata, è probabile che la protezione dal surriscaldamento entri in funzione e che l'utensile si arresti automaticamente.

Protezione dalla sovrascarica

Quando la carica della batteria non è sufficiente, l'utensile si arresta automaticamente, e l'indicatore luminoso di accensione principale lampeggia in rosso. In tal caso, rimuovere la batteria dall'utensile e caricare la batteria.

Interruttore di accensione principale

⚠AVVERTIMENTO: Disattivare sempre l'interruttore di accensione principale quando l'utensile non è in uso.

Per accendere l'utensile, premere l'interruttore di accensione principale fino a quando l'indicatore luminoso di accensione principale si illumina in verde. Per spegnerlo, premere di nuovo l'interruttore di accensione principale.

► **Fig.5:** 1. Indicatore luminoso di accensione principale 2. Interruttore di accensione principale

NOTA: L'indicatore luminoso di accensione principale lampeggia in verde, qualora si prema l'interruttore a grilletto in condizioni che impediscono l'utilizzo. L'indicatore luminoso lampeggia in una delle condizioni seguenti.

- Quando si attiva l'interruttore di accensione principale mentre si tengono premuti la leva di sblocco e l'interruttore a grilletto.
- Quando si preme l'interruttore a grilletto mentre è attivato il freno catena.
- Quando si sblocca il freno catena mentre si tengono premuti la leva di sblocco e l'interruttore a grilletto.

NOTA: Questa motosega utilizza una funzione di spegnimento automatico. Per evitare un avvio accidentale, l'interruttore di accensione principale si disattiva automaticamente quando l'interruttore a grilletto non viene premuto per un determinato periodo di tempo dopo che l'interruttore di accensione principale è stato attivato.

È possibile utilizzare l'utensile in modalità Incremento coppia per tagliare i rami spessi o duri. Per utilizzare l'utensile in modalità Incremento coppia, quando l'utensile è spento, premere l'interruttore di accensione principale per qualche secondo, fino a quando l'indicatore luminoso di accensione principale si illumina in giallo.

NOTA: È possibile utilizzare l'utensile in modalità Incremento coppia per un massimo di 30 secondi. A seconda delle condizioni di utilizzo, questa modalità passa alla modalità normale in meno di 30 secondi.

NOTA: Qualora l'indicatore luminoso di accensione principale lampeggi in giallo quando si preme l'interruttore di accensione principale per qualche secondo, la modalità Incremento coppia non è disponibile. In questo caso, attenersi alla procedura seguente.

- La modalità Incremento coppia non è disponibile subito dopo l'operazione di taglio. Attendere per più di 10 secondi, quindi premere di nuovo l'interruttore di accensione principale.
- Qualora si utilizzi la modalità Incremento coppia svariate volte, l'utilizzo della modalità Incremento coppia viene limitato per proteggere la batteria. Qualora la modalità Incremento coppia non sia disponibile dopo aver atteso per più di 10 secondi, sostituire la cartuccia della batteria con una completamente carica, oppure ricaricare la cartuccia della batteria.

NOTA: Qualora l'indicatore luminoso di accensione principale si illumini in rosso o lampeggi in rosso o in verde, consultare le istruzioni del sistema di protezione dell'utensile o della batteria.

NOTA: Non è possibile utilizzare la modalità Incremento coppia quando è installata una cartuccia della batteria modello BL1815N, BL1820 o BL1820B.

Funzionamento dell'interruttore

⚠AVVERTIMENTO: Per la sicurezza dell'utente, questo utensile è dotato di leva di sblocco che evita l'avvio accidentale dell'utensile stesso. Non utilizzare MAI l'utensile qualora entri in funzione semplicemente premendo l'interruttore a grilletto senza tenere premuta la leva di sblocco. Portare l'utensile a un nostro centro di assistenza autorizzato per le riparazioni del caso PRIMA di utilizzarlo ulteriormente.

⚠AVVERTIMENTO: Non bloccare MAI con del nastro adesivo né rendere inefficace lo scopo e il funzionamento della leva di sblocco.

⚠ATTENZIONE: Prima di inserire la cartuccia della batteria nell'utensile, controllare sempre che l'interruttore a grilletto funzioni correttamente e torni sulla posizione "OFF" quando viene rilasciato.

AVVISO: Non premere con forza l'interruttore a grilletto senza tenere premuta la leva di sblocco. In caso contrario, si potrebbe causare la rottura dell'interruttore.

Per evitare che l'interruttore a grilletto venga premuto accidentalmente, è fornita una leva di sblocco. Per avviare l'utensile, tenere premuta la leva di sblocco e premere l'interruttore a grilletto. La velocità dell'utensile aumenta incrementando la pressione sull'interruttore a grilletto. Per arrestare l'utensile, rilasciare l'interruttore a grilletto.

► **Fig.6:** 1. Interruttore a grilletto 2. Leva di sblocco

Controllo del freno catena

⚠ATTENZIONE: Quando si intende accendere la motosega, afferrarla con entrambe le mani. Afferrare l'impugnatura superiore con la mano destra e l'impugnatura anteriore con la mano sinistra. La barra e la catena non devono essere in contatto con alcun oggetto.

⚠ATTENZIONE: Qualora durante questa prova la catena della sega non si arresti immediatamente, non utilizzare la motosega in alcuna circostanza. Consultare un nostro centro di assistenza autorizzato.

1. Premere la leva di sblocco, quindi premere l'interruttore a grilletto. La catena della sega si avvia immediatamente.
2. Spingere in avanti il paramano anteriore con il dorso della mano. Accertarsi che la motosega si arresti immediatamente.

► Fig.7: 1. Paramano anteriore 2. Posizione sbloccata 3. Posizione bloccata

Controllo del freno inerziale

⚠ATTENZIONE: Qualora la catena della sega non si arresti entro due secondi quando viene effettuata questa prova, interrompere l'utilizzo della motosega e consultare un nostro centro di assistenza autorizzato.

Far funzionare la motosega, quindi rilasciare completamente l'interruttore a grilletto. La catena della sega deve arrestarsi entro due secondi.

Regolazione della lubrificazione della catena

È possibile regolare la mandata della pompa dell'olio utilizzando la vite di regolazione mediante la chiave universale. È possibile regolare la quantità d'olio su 3 livelli.

► Fig.8: 1. Vite di regolazione

Moschettone (punto di aggancio della corda)

È possibile appendere l'utensile agganciando la corda al moschettone. Tirare verso l'alto il moschettone, quindi legarlo con la corda.

Funzione elettronica

L'utensile è dotato di funzioni elettroniche, per un facile utilizzo.

- **Avvio morbido**
La funzione di avvio morbido riduce al minimo l'impatto all'avvio, e fa avviare l'utensile in modo fluido.

MONTAGGIO

⚠ATTENZIONE: Accertarsi sempre che l'utensile sia spento e che la cartuccia della batteria sia stata rimossa, prima di effettuare qualsiasi intervento sull'utensile.

⚠ATTENZIONE: Non toccare la catena della sega con le mani nude. Indossare sempre i guanti quando si intende maneggiare la catena della sega.

Rimozione o installazione della catena della sega

⚠ATTENZIONE: La catena della sega e la barra guida sono ancora estremamente calde subito dopo l'uso. Lasciarle raffreddare a sufficienza prima di eseguire qualsiasi operazione sull'utensile.

⚠ATTENZIONE: Eseguire la procedura di installazione o rimozione della catena della sega in un'ubicazione pulita, priva di segatura e simili.

Per rimuovere la catena della sega, attenersi alla procedura seguente:

1. Rilasciare il freno catena tirando il paramano anteriore.
2. Allentare la vite di regolazione della catena e quindi il dado di fissaggio.
► Fig.9: 1. Vite di regolazione della catena 2. Dado di fissaggio
3. Rimuovere il coperchio del rocchetto, quindi rimuovere la catena della sega e la barra guida dal corpo della motosega.

Per installare la catena della sega, attenersi alla procedura seguente:

1. Controllare la direzione della catena della sega. Far corrispondere la direzione della catena della sega con quella del simbolo sul corpo della motosega.
2. Disporre un'estremità della catena della sega sopra la barra guida.
3. Disporre l'altra estremità della catena della sega intorno al rocchetto, quindi montare la barra guida sul corpo della motosega, allineando il foro sulla barra guida con il perno sul corpo della motosega.
► Fig.10: 1. Rocchetto 2. Foro
4. Inserire nel corpo della motosega la sporgenza presente sul coperchio del rocchetto, quindi chiudere il coperchio in modo che il bullone e i perni sul corpo della motosega si inseriscano nelle relative controparti sul coperchio.
► Fig.11: 1. Sporgenza 2. Coperchio del rocchetto 3. Bullone 4. Perno
5. Serrare il dado di fissaggio per fissare il coperchio del rocchetto, quindi allentarlo leggermente per la regolazione della tensione.
► Fig.12: 1. Dado di fissaggio

Regolazione della tensione della catena della sega

⚠ATTENZIONE: Non serrare eccessivamente la catena della sega. Una tensione eccessiva della catena della sega potrebbe causare la rottura della catena della sega, l'usura della barra guida e la rottura del selettore di regolazione.

⚠ATTENZIONE: Una catena troppo allentata può saltare fuori dalla barra, e potrebbe causare lesioni personali.

La catena della sega potrebbe allentarsi, dopo molte ore d'uso. Di tanto in tanto, prima dell'uso, verificare la tensione della catena della sega.

1. Rilasciare il freno catena tirando il paramano anteriore.
2. Allentare di poco il dado di fissaggio per allentare leggermente il coperchio del rochetto.

► Fig.13: 1. Dado di fissaggio

3. Sollevare leggermente la punta della barra guida e regolare la tensione della catena. Ruotare in senso orario la vite di regolazione della catena per serrare la catena, ruotarla in senso antiorario per allentare la catena.

Per la lama della catena 90PX e 91PX:

Serrare la catena della sega fino a quando il lato inferiore della catena della sega entra nel binario della barra guida, come illustrato nella figura.

► Fig.14: 1. Barra guida 2. Catena della sega 3. Vite di regolazione della catena

Per la lama della catena 25AP:

Serrare la catena della sega in modo che lo spazio tra il centro del lato inferiore della barra guida e la catena della sega sia compreso tra 1 mm e 2 mm circa.

4. Continuare a mantenere delicatamente la barra guida e serrare il coperchio del rochetto.

Per la lama della catena 90PX e 91PX:

Accertarsi che la catena della sega non si allenti sul lato inferiore.

Per la lama della catena 25AP:

Accertarsi che lo spazio tra il centro del lato inferiore della barra guida e la catena della sega sia compreso tra 1 mm e 2 mm circa.

5. Serrare il dado di fissaggio per fissare il coperchio del rochetto.

► Fig.15: 1. Dado di fissaggio

Accertarsi che la catena della sega si inserisca in modo aderente sul lato inferiore della barra.

Rampone

Accessorio opzionale

Quando si intende tagliare rami spessi, si consiglia l'utilizzo del rampone. Per installare il rampone, attenersi alla procedura seguente:

1. Rimuovere il coperchio del rochetto, la catena della sega e la barra guida.
2. Allineare i fori sul rampone con i fori sul corpo della motosega, quindi serrare saldamente le viti.

► Fig.16: 1. Vite 2. Rampone

FUNZIONAMENTO

Lubrificazione

La catena della sega viene lubrificata automaticamente quando l'utensile è in uso. Controllare a intervalli regolari attraverso la finestrella di ispezione dell'olio la quantità d'olio restante nel serbatoio dell'olio.

Per rabboccare il serbatoio, appoggiare la motosega sul lato e rimuovere il tappo del serbatoio dell'olio. La quantità d'olio corretta è 140 ml. Dopo il rabbocco del serbatoio, accertarsi che il tappo del serbatoio dell'olio sia serrato saldamente.

► Fig.17: 1. Tappo del serbatoio dell'olio 2. Finestrella di ispezione dell'olio

Dopo il rabbocco, tenere la motosega lontana dall'albero. Avviarla e attendere che la lubrificazione sulla catena della sega sia adeguata.

► Fig.18

AVVISO: Quando si rabbocca l'olio catena per la prima volta, oppure quando si intende riempire il serbatoio dopo che si è svuotato completamente, aggiungere l'olio fino al bordo inferiore del bocchettone. In caso contrario, l'erogazione dell'olio potrebbe venire ostacolata.

AVVISO: Utilizzare olio per catene motosega esclusivo Makita o un olio equivalente disponibile in commercio.

AVVISO: Non utilizzare mai oli contenenti polveri e particelle, oppure oli volatili.

AVVISO: Per la potatura degli alberi, utilizzare oli biologici. Gli oli minerali potrebbero essere nocivi per gli alberi.

AVVISO: Prima dell'operazione di taglio, accertarsi che il tappo del serbatoio dell'olio in dotazione sia avvitato in sede.

USO DELLA MOTOSEGA

⚠ATTENZIONE: Chi usa l'utensile per la prima volta dovrebbe fare un minimo di pratica tagliando tronchi su un cavalletto per sega o un'intelaiatura di sostegno.

⚠ATTENZIONE: Quando si intende tagliare del legname già tagliato, utilizzare un supporto sicuro (cavalletto per sega o intelaiatura di sostegno). Non tenere fermo il pezzo in lavorazione con un piede, e non farlo mantenere o tenere fermo da altri.

⚠ATTENZIONE: Fissare i pezzi rotondi in modo che non ruotino.

⚠ATTENZIONE: Tenere tutte le parti del corpo lontane dalla catena della sega quando il motore è in funzione.

⚠ATTENZIONE: Mantenere saldamente la motosega con entrambe le mani mentre il motore è in funzione.

⚠ATTENZIONE: Non sporgersi eccessivamente. Mantenere sempre un appoggio corretto sui piedi e l'equilibrio.

AVVISO: Non lanciare né far cadere mai l'utensile.

AVVISO: Non coprire le aperture di ventilazione dell'utensile.

Potatura di alberi

Prima di accendere la motosega, far entrare in contatto il corpo della motosega con il ramo da tagliare. In caso contrario, si potrebbe causare un'oscillazione della barra guida, con conseguenti lesioni personali per l'operatore. Segare il legno da tagliare semplicemente spostandolo verso il basso utilizzando il peso della motosega.

► Fig.19

Qualora non si riesca a tagliare il legname in un solo colpo:

Esercitare una leggera pressione sull'impugnatura e continuare a segare e tirare leggermente indietro la motosega.

► Fig.20

Quando si intende tagliare rami spessi, incidere innanzitutto una tacca poco profonda dal basso, quindi effettuare il taglio finale a partire dall'alto.

► Fig.21

Qualora si provi a tagliare completamente rami spessi dal basso, il ramo potrebbe calare e far incastrare la catena della sega nel taglio. Qualora si provi a tagliare rami spessi dall'alto senza un taglio poco profondo dal basso, il ramo potrebbe spaccarsi.

► Fig.22

Taglio trasversale

1. Appoggiare il corpo della motosega sul legno da tagliare.

► Fig.23

2. Con la catena della sega in funzione, tagliare nel legno utilizzando l'impugnatura superiore per sollevare la sega e quella anteriore per guidarla.

3. Continuare a tagliare applicando una leggera pressione sull'impugnatura superiore, riducendo leggermente la pressione sulla parte posteriore della sega.

AVVISO: Quando si intende effettuare svariati tagli, spegnere la motosega tra un taglio e l'altro.

ATTENZIONE: Se si utilizza il bordo superiore della barra per tagliare, la motosega potrebbe venire deviata verso l'operatore, qualora la catena resti intrappolata. Pertanto, tagliare con il bordo inferiore, affinché la sega venga deviata lontano dal corpo dell'operatore, in questa eventualità.

► Fig.24

Quando si taglia legno sottoposto a tensione, tagliare prima il lato sotto pressione (A). Quindi, effettuare il taglio finale dal lato in tensione (B). In tal modo si evita che la barra resti intrappolata.

► Fig.25

Sramatura

ATTENZIONE: La sramatura deve essere effettuata unicamente da personale esperto. Un pericolo è rappresentato dal rischio dei contraccolpi.

Quando si intende sramare, se possibile appoggiare la motosega sul tronco. Non tagliare con la punta della barra, in quanto ciò presenta il rischio di contraccolpi. Fare particolarmente attenzione ai rami sottoposti a tensione. Non tagliare da sotto rami non supportati. Durante la sramatura, non stare in piedi sul tronco abbattuto.

Trasporto dell'utensile

Prima di trasportare l'utensile, applicare sempre il freno catena e rimuovere le cartucce delle batterie dall'utensile. Quindi, applicare il copribarra. Coprire anche la cartuccia della batteria con il coperchio della batteria.

► Fig.26: 1. Copribarra 2. Coperchio della batteria

MANUTENZIONE

ATTENZIONE: Accertarsi sempre che l'utensile sia spento e che la cartuccia della batteria sia stata rimossa prima di tentare di eseguire interventi di ispezione o manutenzione.

ATTENZIONE: Indossare sempre i guanti prima di eseguire qualsiasi ispezione o manutenzione.

AVVISO: Non utilizzare mai benzina, benzene, solventi, alcol o altre sostanze simili. In caso contrario, si potrebbero causare scolorimenti, deformazioni o crepe.

Per preservare la SICUREZZA e l'AFFIDABILITÀ del prodotto, le riparazioni e qualsiasi altro intervento di manutenzione e di regolazione devono essere eseguiti da un centro di assistenza autorizzato Makita, utilizzando sempre ricambi Makita.

Affilatura della catena della sega

Affilare la catena della sega quando:

- Si produce una segatura farinosa quando si taglia il legno umido;
- La catena penetra nel legno con difficoltà, anche quando si applica una forte pressione;
- Il tagliente è visibilmente danneggiato;
- La motosega tira verso sinistra o destra nel legno. (Ciò è causato da un'affilatura non uniforme della catena della sega oppure dal danneggiamento di un solo lato).

Affilare spesso la catena della sega, ma poco alla volta. Per la normale riaffilatura sono generalmente sufficienti due o tre colpi di lima. Quando la catena della sega è stata riaffilata diverse volte, farla affilare in un nostro centro di assistenza autorizzato.

Criteri di affilatura:

AVVERTIMENTO: Una distanza eccessiva tra il tagliente e il limitatore di profondità aumenta il rischio di contraccolpi.

- **Fig.27:** 1. Lunghezza della lama 2. Distanza tra il tagliente e il limitatore di profondità
3. Lunghezza minima della lama (3 mm)
- Tutte le lame devono avere la stessa lunghezza. Le lame con lunghezze diverse impediscono alla catena della sega di scorrere normalmente, e potrebbero causare la rottura della catena della sega.
 - Non affilare la catena quando le lame hanno raggiunto la lunghezza minima di 3 mm o inferiore. La catena deve essere sostituita con una nuova.
 - Lo spessore delle schegge viene determinato dalla distanza tra il limitatore di profondità (punta rotonda) e il tagliente.
 - I risultati di taglio migliori si ottengono con la seguente distanza tra il tagliente e il limitatore di profondità.
 - Lama catena 90PX: 0,65 mm
 - Lama catena 91PX: 0,65 mm
 - Lama catena 25AP: 0,65 mm

► **Fig.28**

- L'angolo di affilatura di 30° deve essere identico su tutte le lame. Angoli diversi tra le lame causano uno scorrimento disordinato e irregolare della catena, accelerano l'usura e portano a rotture delle catene.
- Utilizzare una lima tonda appropriata in modo da conservare l'angolo di affilatura corretta contro i denti.
 - Lama catena 90PX: 55°
 - Lama catena 91PX: 55°
 - Lama catena 25AP: 55°

Lima e guida della lima

- Per affilare la catena utilizzare una speciale lima tonda (accessorio opzionale) per catene per moto-sega. Le comuni lime tonde non sono adatte.
- Il diametro della lima tonda per ciascuna catena della sega è il seguente:
 - Lama catena 90PX: 4,5 mm
 - Lama catena 91PX: 4,0 mm
 - Lama catena 25AP: 4,0 mm
- La lima deve toccare la lama solo nel colpo in avanti. Sollevare la lima dalla lama nel percorso di ritorno.
- Affilare sempre la lama più corta per prima. La lunghezza di questa lama più corta diventa, quindi, il riferimento per tutte le altre lame della catena della sega.
- Guidare la lima come indicato nella figura.

► **Fig.29:** 1. Lima 2. Catena della sega

- La lima può essere guidata più facilmente se si utilizza un portailima (accessorio opzionale). Sul portailima sono presenti dei segni per l'angolo corretto di affilatura di 30° (allineare i segni parallelamente alla catena della sega) e limita la profondità di penetrazione (a 4/5 del diametro della lima).

► **Fig.30:** 1. Portailima

- Dopo aver affilato la catena, controllare l'altezza del limitatore di profondità utilizzando il calibro per catena (accessorio opzionale).

► **Fig.31**

- Rimuovere eventuale materiale sporgente, benché di minima entità, con una speciale lima piatta (accessorio opzionale).
- Arrotondare di nuovo la parte anteriore del limitatore di profondità.

Pulizia della barra guida

Le schegge e la segatura si accumulano nella scanalatura della barra guida; potrebbero intasarla e ostacolare il flusso dell'olio. Rimuovere sempre le schegge e la segatura ogni volta che si affila o si rimonta la catena della sega.

► **Fig.32**

Pulizia del coperchio del rocchetto

Le schegge e la segatura si accumulano all'interno del coperchio del rocchetto. Rimuovere il coperchio del rocchetto e la catena della sega dall'utensile, quindi pulire le schegge e la segatura.

► **Fig.33**

Pulizia del foro di scarico dell'olio

Durante l'utilizzo, nel foro di scarico dell'olio si potrebbero accumulare polveri fini o particelle. Queste ultime potrebbero ostacolare il flusso dell'olio e causare una lubrificazione insufficiente dell'intera catena della sega. Quando si verifica una scarsa erogazione dell'olio catena nella parte superiore della barra guida, pulire il foro di scarico dell'olio nel modo seguente.

1. Rimuovere dall'utensile il coperchio del rocchetto e la catena della sega.

2. Rimuovere le polveri fini o le particelle utilizzando un cacciavite a punta piatta con stelo sottile o un attrezzo simile.

► **Fig.34:** 1. Cacciavite a punta piatta 2. Foro di scarico dell'olio

3. Inserire la cartuccia della batteria nell'utensile. Premere l'interruttore a grilletto per far defluire le polveri o le particelle accumulate dal foro di scarico olio scaricando l'olio catena.

4. Rimuovere la cartuccia della batteria dall'utensile. Reinstallare sull'utensile il coperchio del rocchetto e la catena della sega.

Sostituzione del rocchetto

⚠ATTENZIONE: Un rocchetto usurato danneggia una nuova catena della sega. In tal caso, far sostituire il rocchetto.

Prima di montare una nuova catena della sega, controllare le condizioni del rocchetto.

► **Fig.35:** 1. Rocchetto 2. Aree usurate

Montare sempre un nuovo anello di blocco quando si sostituisce il rocchetto.

► **Fig.36:** 1. Anello di blocco 2. Rocchetto

AVVISO: Accertarsi che il rocchetto sia installato come indicato nella figura.

Conservazione dell'utensile

1. Pulire l'utensile prima di riporlo. Rimuovere dall'utensile tutte le schegge e la segatura dopo aver rimosso il coperchio del rocchetto.
2. Dopo aver pulito l'utensile, farlo girare a vuoto per lubrificare la catena della sega e la barra guida.
3. Coprire la barra guida con il copribarra.
4. Svuotare il serbatoio dell'olio.

Istruzioni per la manutenzione periodica

Per assicurare una lunga vita utile dell'utensile, evitare danni e assicurare il pieno funzionamento delle funzioni di sicurezza, è necessario eseguire a intervalli regolari la manutenzione seguente. Le clausole della garanzia sono valide solo se tale lavoro viene eseguito regolarmente e correttamente. La mancata esecuzione del lavoro di manutenzione prescritto può causare incidenti. L'utente della motosega non deve eseguire lavori di manutenzione non descritti nel presente manuale d'uso. Tali lavori devono essere eseguiti da un nostro centro di assistenza autorizzato.

Voce da controllare/tempo di utilizzo		Prima dell'uso	Ogni giorno	Ogni settimana	Ogni 3 mesi	Ogni anno	Prima di riporre l'utensile
Motosega	Ispezione.	✓	-	-	-	-	-
	Pulizia.	-	✓	-	-	-	-
	Controllo presso un centro di assistenza autorizzato.	-	-	-	-	✓	✓
Catena della sega	Ispezione.	✓	-	-	-	-	-
	Affilatura, se necessario.	-	-	-	-	-	✓
Barra guida	Ispezione.	✓	✓	-	-	-	-
	Rimuovere dalla motosega.	-	-	-	-	-	✓
Freno catena	Controllare il funzionamento.	✓	-	-	-	-	-
	Farlo ispezionare a intervalli regolari presso un centro di assistenza autorizzato.	-	-	-	✓	-	-
Lubrificazione della catena	Controllare la velocità di erogazione dell'olio.	✓	-	-	-	-	-
Interruttore a grilletto	Ispezione.	✓	-	-	-	-	-
Leva di sblocco	Ispezione.	✓	-	-	-	-	-
Tappo del serbatoio dell'olio	Controllare il serraggio.	✓	-	-	-	-	-
Fermacatena	Ispezione.	-	-	✓	-	-	-
Viti e dadi	Ispezione.	-	-	✓	-	-	-

RISOLUZIONE DEI PROBLEMI

Prima di richiedere riparazioni, eseguire un'ispezione personalmente. Qualora si rilevi un problema che non è illustrato nel manuale, non tentare di smontare l'utensile. Rivolgersi, invece, a un centro di assistenza autorizzato Makita, utilizzando sempre pezzi di ricambio Makita per le riparazioni.

Condizione di malfunzionamento	Causa	Misura correttiva
La motosega non si avvia.	La cartuccia della batteria non è installata.	Installare una cartuccia della batteria carica.
	Problema con le batterie (tensione bassa).	Ricaricare le cartucce delle batterie. Qualora la ricarica non abbia effetto, sostituire la cartuccia della batteria.
	L'interruttore di accensione principale è disattivato.	La motosega si spegne automaticamente se non viene utilizzata per un determinato periodo di tempo. Riattivare l'interruttore di accensione principale.
La catena della sega non scorre.	Il freno catena si è attivato.	Sbloccare il freno catena.
Il motore smette di girare dopo un breve utilizzo.	Il livello di carica della batteria è basso.	Ricaricare le cartucce delle batterie. Qualora la ricarica non abbia effetto, sostituire la cartuccia della batteria.
Olio assente sulla catena.	Il serbatoio dell'olio è vuoto.	Riempire il serbatoio dell'olio.
	La scanalatura della guida olio è sporca.	Pulire la scanalatura.
	Erogazione insufficiente dell'olio.	Regolare la quantità d'olio erogata mediante la vite di regolazione.
La motosega non raggiunge il numero massimo di giri al minuto.	La cartuccia della batteria non è installata correttamente.	Installare le cartucce delle batterie come descritto nel presente manuale.
	La carica della batteria sta calando.	Ricaricare la cartuccia della batteria. Qualora la ricarica non abbia effetto, sostituire la cartuccia della batteria.
	Il sistema di trasmissione non funziona correttamente.	Richiedere la riparazione a un centro di assistenza autorizzato nella propria zona.
L'indicatore luminoso di accensione principale lampeggia in verde.	L'interruttore a grilletto è stato premuto in condizioni di impossibilità d'uso.	Premere l'interruttore a grilletto dopo che l'interruttore di accensione principale è stato attivato e il freno catena è stato sbloccato.
La catena non si arresta anche se è attivato il freno catena: Arrestare immediatamente la macchina!	Il nastro del freno è usurato.	Richiedere la riparazione a un centro di assistenza autorizzato nella propria zona.
Vibrazione anomala: Arrestare immediatamente la macchina!	La barra guida o la catena della sega è allentata.	Regolare la barra guida e la tensione della catena della sega.
	Malfunzionamento dell'utensile.	Richiedere la riparazione a un centro di assistenza autorizzato nella propria zona.
La modalità Incremento coppia non è disponibile dopo aver sostituito la cartuccia della batteria con una completamente carica.	A seconda delle condizioni di utilizzo, la modalità Incremento coppia non è disponibile dopo la sostituzione della cartuccia della batteria.	Utilizzare l'utensile in modalità normale fino a quando la cartuccia della batteria installata si scarica completamente, quindi sostituire la cartuccia della batteria con una completamente carica, oppure ricaricare la cartuccia della batteria.

ACCESSORI OPZIONALI

⚠ATTENZIONE: Questi accessori o componenti aggiuntivi sono consigliati per l'uso con l'utensile Makita specificato nel presente manuale. L'impiego di altri accessori o componenti aggiuntivi può costituire un rischio di lesioni alle persone. Utilizzare gli accessori o i componenti aggiuntivi solo per il loro scopo prefissato.

Per ottenere ulteriori dettagli relativamente a questi accessori, rivolgersi a un centro di assistenza Makita.

- Catena della sega
- Barra guida
- Copribarra
- Rocchetto

- Rampone
- Lima
- Borsa dell'utensile
- Batteria e caricabatterie originali Makita

⚠AVVERTIMENTO: Qualora si acquisti una barra guida di lunghezza diversa rispetto alla barra guida standard, acquistare allo stesso tempo anche un copribarra idoneo. Quest'ultimo deve poter essere inserito e coprire completamente la barra guida sulla motosega.

NOTA: Alcuni articoli nell'elenco potrebbero essere inclusi nell'imballaggio dell'utensile come accessori standard. Tali articoli potrebbero variare da nazione a nazione.

TECHNISCHE GEGEVENS

Model:		DUC204	DUC254	DUC254C
Totale lengte (zonder zaagblad)		256 mm		
Nominale spanning		18 V gelijkspanning		
Nettogewicht		2,8 - 3,3 kg		
Standaard zaagbladlengte		200 mm	250 mm	
Aanbevolen zaagbladlengte	met 90PX	200 - 250 mm		-
	met 91PX	-	250 mm	-
	met 25AP	-		250 mm
Toepasselijk type zaagketting (raadpleeg de onderstaande tabel)		90PX	90PX 91PX	25AP
Standaard kettingwiel	Aantal tanden	6		9
	Steek	3/8"		1/4"
Kettingsnelheid		0 - 24 m/s (0 - 1.440 m/min)		0 - 22,5 m/s (0 - 1.350 m/min)
Volume kettingolietank		140 cm ³		

- In verband met ononderbroken research en ontwikkeling, behouden wij ons het recht voor de bovenstaande technische gegevens zonder voorafgaande kennisgeving te wijzigen.
- De technische gegevens kunnen van land tot land verschillen.
- Het gewicht kan verschillen afhankelijk van de hulpstukken, waaronder de accu. De lichtste en zwaarste combinatie, overeenkomstig de EPTA-procedure 01/2014, worden getoond in de tabel.

Toepasselijke accu's

BL1815N / BL1820 / BL1820B / BL1830 / BL1830B / BL1840 / BL1840B / BL1850 / BL1850B / BL1860B

- Sommige van de hierboven vermelde accu's zijn mogelijk niet leverbaar afhankelijk van waar u woont.

⚠WAARSCHUWING: Gebruik uitsluitend de accu's die hierboven worden genoemd. Gebruik van enige andere accu kan leiden tot letsel en/of brand.

Combinatie van zaagketting, zaagblad en kettingwiel

Type zaagketting		90PX	
Aantal kettingschakels		33	40
Zaagblad	Lengte zaagblad	200 mm	250 mm
	Zaaglengte	180 mm	244 mm
	Steek	3/8"	
	Maat	1,1 mm	
	Type	Tandwielzaagblad	
Kettingwiel	Aantal tanden	6	
	Steek	3/8"	

Type zaagketting		91PX	
Aantal kettingschakels		40	
Zaagblad	Lengte zaagblad	250 mm	
	Zaaglengte	244 mm	
	Steek	3/8"	
	Maat	1,3 mm	
	Type	Tandwielzaagblad	
Kettingwiel	Aantal tanden	6	
	Steek	3/8"	

Type zaagketting		25AP
Aantal kettingschakels		60
Zaagblad	Lengte zaagblad	250 mm
	Zaaglengte	250 mm
	Steek	1/4"
	Maat	1,3 mm
	Type	Precisieblad
Kettingwiel	Aantal tanden	9
	Steek	1/4"

KENNISGEVING: Bij gebruik van een 25AP-zaagketting, gebruikt u kettingwiel 9 (optioneel accessoire).

WAARSCHUWING: Gebruik de juiste combinatie van zaagblad en zaagketting. Anders loopt u de kans op lichamelijk letsel.

Symbolen

Hieronder staan de symbolen die voor het gereedschap worden gebruikt. Zorg ervoor dat u weet wat ze betekenen alvorens het gereedschap te gebruiken.

	Lees de gebruiksaanwijzing.
	Draag een veiligheidsbril.
	Draag gehoorbescherming.
	Draag een veiligheidshelm, veiligheidsbril en gehoorbescherming.
	Gebruik afdoende beschermingsmiddelen voor voet/been en hand/arm.
	Deze zaag mag alleen worden gebruikt door goed opgeleide personen.
	Stel niet bloot aan vocht.
	Maximaal toegestane zaaglengte
	Gebruik altijd twee handen om de ketting-zaag te bedienen.
	Draairichting van de ketting
	Afstelling voor zaagkettingolie
	Alleen voor EU-landen Geef elektrisch gereedschap en accu's niet met het huisvuil mee! Volgens de Europese richtlijn inzake oude elektrische en elektronische apparaten, en inzake batterijen en accu's en oude batterijen en accu's, en de toepassing daarvan binnen de nationale wetgeving, dienen elektrisch gereedschap, accu's en batterijen die het einde van hun levensduur hebben bereikt, gescheiden te worden ingezameld en te worden afgevoerd naar een recyclebedrijf dat voldoet aan de geldende milieu-eisen.

Gebruiksdoeleinden

Het gereedschap is bedoeld om takken te zagen en bomen te snoeien. Het is ook geschikt om bomen te onderhouden.

Geluidsniveau

De typische, A-gewogen geluidsniveaus zijn gemeten volgens IEC62841-4-1:

Model DUC204

Geluidsdrukkniveau (L_{pA}): 92,2 dB (A)
Geluidsvermogniveau (L_{WA}): 103,2 dB (A)
Onzekerheid (K): 2,5 dB (A)

Model DUC254

Geluidsdrukkniveau (L_{pA}): 92,2 dB (A)
Geluidsvermogniveau (L_{WA}): 103,2 dB (A)
Onzekerheid (K): 2,5 dB (A)

Model DUC254C

Geluidsdrukkniveau (L_{pA}): 92,2 dB (A)
Geluidsvermogniveau (L_{WA}): 103,2 dB (A)
Onzekerheid (K): 2,5dB (A)

WAARSCHUWING: Draag gehoorbescherming.

Trilling

De totale trillingswaarde (triaxiale vectorsom) zoals vastgesteld volgens IEC62841-4-1:

Model DUC204

Gebruikstoepassing: zagen van hout
Trillingsemisatie ($a_{h,W}$): 3,1 m/s²
Onzekerheid (K): 1,5 m/s²

Model DUC254

Gebruikstoepassing: zagen van hout
Trillingsemisatie ($a_{h,W}$): 3,1 m/s²
Onzekerheid (K): 1,5 m/s²

Model DUC254C

Gebruikstoepassing: zagen van hout
Trillingsemisatie ($a_{h,W}$): 4,1 m/s²
Onzekerheid (K): 1,5 m/s²

OPMERKING: De opgegeven trillingsemisiewaarde is gemeten volgens de standaardtestmethode en kan worden gebruikt om dit gereedschap te vergelijken met andere gereedschappen.

OPMERKING: De opgegeven trillingsemisiewaarde kan ook worden gebruikt voor een beoordeling vooraf van de blootstelling.

⚠️ WAARSCHUWING: De trillingsemmissie tijdens het gebruik van het elektrisch gereedschap in de praktijk kan verschillen van de opgegeven trillingsemmissiewaarde afhankelijk van de manier waarop het gereedschap wordt gebruikt.

⚠️ WAARSCHUWING: Zorg ervoor dat veiligheidsmaatregelen worden getroffen ter bescherming van de operator die zijn gebaseerd op een schatting van de blootstelling onder praktijkomstandigheden (rekening houdend met alle fasen van de bedrijfscyclus, zoals de tijdsduur gedurende welke het gereedschap is uitgeschakeld en stationair draait, naast de ingeschakelde tijdsduur).

EG-verklaring van conformiteit

Alleen voor Europese landen

De EG-verklaring van conformiteit is bijgevoegd als Bijlage A bij deze gebruiksaanwijzing.

VEILIGHEIDSWAARSCHUWINGEN

Algemene veiligheidswaarschuwingen voor elektrisch gereedschap

⚠️ WAARSCHUWING: Lees alle veiligheidswaarschuwingen, aanwijzingen, afbeeldingen en technische gegevens behorend bij dit elektrische gereedschap aandachtig door. Als u niet alle onderstaande aanwijzingen naleeft, kan dat resulteren in brand, elektrische schokken en/of ernstig letsel.

Bewaar alle waarschuwingen en instructies om in de toekomst te kunnen raadplegen.

De term "elektrisch gereedschap" in de veiligheidsvoorschriften duidt op gereedschappen die op stroom van het lichtnet werken (met snoer) of gereedschappen met een accu (snoerloos).

Veiligheidswaarschuwingen voor een accukettingzaag

1. **Houd alle lichaamsdelen uit de buurt van de zaagketting terwijl de kettingzaag in gebruik is. Alvorens de kettingzaag te starten, verzekert u zichzelf ervan dat de zaagketting niets raakt.** In slechts een kort moment van onoplettendheid tijdens het gebruik van de kettingzaag kan uw kleding of lichaam in aanraking komen met de zaagketting.
2. **Houd de kettingzaag altijd met uw rechterhand vast aan de bovenhandgreep en met uw linkerhand aan de voorhandgreep.** Houd de kettingzaag nooit vast met uw handen verwisseld, omdat dan de kans op lichamenteel letsel groter is.

3. **Houd het elektrisch gereedschap alleen vast aan de geïsoleerde vlakken omdat de zaagketting met verborgen bedrading in aanraking kan komen.** Wanneer de zaagketting in aanraking komt met onder spanning staande draden, zullen de niet-geïsoleerde metalen delen van het gereedschap onder spanning komen te staan zodat de gebruiker een elektrische schok kan krijgen.
4. **Draag een veiligheidsbril en gehoorbescherming.** Verdere veiligheidsmiddelen voor hoofd, handen, benen en voeten worden aanbevolen. Afdoeende beschermende kleding verkleint de kans op lichamenteel letsel als gevolg van rondvliegend afval of onbedoeld contact van de zaagketting.
5. **Zorg altijd voor een stevige stand.**
6. **Bij het afzagen van een tak die onder spanning staat, let u goed op eventuele terugslag.** Wanneer de spanning in de houtvezels vrij komt, kan de onder spanning staande tak de gebruiker een terugslag geven en/of de controle over de kettingzaag doen verliezen.
7. **Wees uiterst voorzichtig bij het zagen van struiken en jonge boompjes.** Het dunne materiaal kan zich vasthaken aan de zaagketting en naar u toe geslingerd worden of u uit balans brengen.
8. **Draag de kettingzaag aan de voorhandgreep terwijl deze uitgeschakeld is en van uw lichaam af gekeerd is. Bij het transporteren of opbergen van de kettingzaag moet altijd de schede om het zaagblad worden gedaan.** Een juiste behandeling van de kettingzaag verkleint de kans op het per ongeluk aanraken van de bewegende zaagketting.
9. **Volg de instructies voor het smeren, ketting spannen en verwisselen van accessoires.** Een verkeerd gespannen of gesmeerde zaagketting kan breken of de kans op terugslag verhogen.
10. **Houd de handgrepen droog, schoon en vrij van olie en vetten.** Met vet of olie bevuilde handgrepen zijn glad en leiden tot verlies van controle over de kettingzaag.
11. **Zaag uitsluitend hout. Gebruik de kettingzaag niet voor doeleinden waarvoor deze niet bedoeld is.** Bijvoorbeeld: gebruik de kettingzaag niet om kunststof, steen of bouwmaterialen anders dan hout te zagen. Het gebruik van de kettingzaag voor andere werkzaamheden dan waarvoor deze bedoeld is, kan leiden tot gevaarlijke situaties.
12. **Oorzaken van terugslag en wat de gebruiker hieraan kan doen:**
Terugslag kan optreden wanneer de neus of voorrand van het zaagblad een voorwerp raakt, of wanneer het hout zich sluit en de zaagketting in de zaagsnede vastklemt. Zagen met alleen de punt van het zaagblad kan een plotselinge, omgekeerde reactie veroorzaken waardoor het zaagblad omhoog geworpen wordt in de richting van de gebruiker. Het beknellen van de zaagketting langs de bovenrand van het zaagblad kan het zaagblad snel terugwerpen in de richting van de gebruiker. Deze beide reacties kunnen ertoe leiden dat u de controle over de kettingzaag verliest waardoor ernstig lichamenteel letsel kan ontstaan. Wees niet afhankelijk van alleen de veiligheidsvoorzieningen die in uw kettingzaag zijn ingebouwd. Als gebruiker van de kettingzaag moet u meerdere stappen ondernemen om ervoor te zorgen dat uw zaagwerkzaamheden zonder ongelukken of letsel verlopen.
Terugslag is het gevolg van misbruik van het gereedschap en/of onjuiste gebruikprocedures of -omstandigheden, en kan worden voorkomen door de juiste voorzorgsmaatregelen te treffen, zoals hieronder vermeld:

- Houd de kettingzaag stevig met beide handen vast, met uw duimen en vingers rondom de handgrepen van de kettingzaag, en positioneer uw lichaam en armen zodanig dat u een eventuele terugslag kan opvangen. De kracht van een terugslag kan worden opgevangen door de gebruiker mits de juiste voorzorgsmaatregelen zijn getroffen. Laat de kettingzaag nooit los.

► Fig.1

- Reik niet te ver en zaag nooit boven schouderhoogte. Dit helpt te voorkomen dat de punt van het zaagblad per ongeluk iets raakt en biedt een betere controle over de kettingzaag in onverwachte situaties.
 - Gebruik bij het vervangen van het zaagblad of de zaagketting uitsluitend onderdelen die zijn opgegeven door de fabrikant. Vervanging door een verkeerd zaagblad of zaagketting kan ertoe leiden dat de zaagketting breekt en/of het zaagblad terugslaat.
 - Volg de instructies van de fabrikant over het slijpen en onderhouden van de zaagketting. Het verlagen van de hoogte van de dieptevoller kan leiden tot meer terugslag.
13. **Alvorens met het werk te beginnen, controleer u of de kettingzaag zich in goede werkende staat bevindt, en dat deze voldoet aan de veiligheidsregels. Controleer met name of:**
- De kettingrem goed werkt;
 - De uitlooprem goed werkt;
 - Het zaagblad en de afdekking van het kettingwiel goed zijn gemonteerd;
 - De ketting is geslepen en gespannen overeenkomstig de regels.
14. **Start de kettingzaag niet terwijl de schede om het zaagblad is geplaatst.** Als de kettingzaag wordt gestart terwijl de schede om het zaagblad is geplaatst, kan de schede naar voren worden weggegooid, waardoor lichamelijke letsel en materiële schade aan voorwerpen in de buurt van de operator kan worden veroorzaakt.

Veiligheids waarschuwingen specifiek voor kettingzagen met een bovenhandgreep

1. Deze kettingzaag is speciaal ontworpen voor boomverzorging en boomchirurgie. De kettingzaag is bedoeld om te worden gebruikt door goed opgeleide personen. Houd u aan alle instructies, procedures en aanbevelingen van de betreffende brancheorganisatie. Anders kunnen zich fatale ongevallen voordoen. Wij adviseren u altijd een hoogwerker (telescoophoogwerker, schaarhoogwerker) te gebruiken voor het zagen in bomen. Abseiltechnieken zijn extreem gevaarlijk en vereisen speciale training. De gebruikers moeten opgeleid worden om bekend te raken met het gebruik van veiligheidsuitrusting en klimtechnieken. Gebruik altijd de toepasselijke riemen, touwen en karabijnhaken wanneer u in een boom werkt. Gebruik altijd valpreventiemiddelen voor zowel de gebruiker als de zaag.

2. **Alvorens het gereedschap op te slaan, voert u reinigings- en onderhoudswerkzaamheden uit in overeenstemming met de gebruiksaanwijzing.**
3. **Verzeker u ervan dat tijdens vervoer in een auto de kettingzaag op een veilige plaats staat om morsen van brandstof of kettingolie, beschadiging van het gereedschap en persoonlijk letsel te voorkomen.**
4. **Controleer regelmatig de werking van de kettingrem.**
5. **Vul geen kettingolie bij in de buurt van vuur. Rook niet wanneer u kettingolie bijvult.**
6. **Het gebruik van de kettingzaag kan landelijk gereguleerd zijn.**
7. **Nadat tegen het gereedschap is gestoten of het is gevallen, controleert u de staat van het gereedschap voordat u de werkzaamheden hervat. Controleer de bedieningselementen en veiligheidsvoorzieningen op een juiste werking. Als enige beschadiging zichtbaar is of u twijfelt, vraagt u ons erkende servicecentrum om inspectie en reparatie.**
8. **Activeer altijd de kettingrem voordat u de kettingzaag start.**
9. **Houd de zaag stevig op zijn plaats om te voorkomen dat de zaag wegspringt (zijwaarts verplaatst) of stuitert wanneer een snede wordt gestart.**
10. **Wees aan het einde van de snede voorzichtig uw evenwicht te bewaren vanwege het 'doorvallen'.**
11. **Houd rekening met de windrichting en -snelheid. Voorkom zaagsel en kettingoliemist.**

Beschermingsmiddelen

1. **Om letsel aan hoofd, ogen, handen of voeten te voorkomen en om uw gehoor te beschermen, moeten de volgende beschermingsmiddelen worden gebruikt tijdens het werken met de kettingzaag:**
 - Het type kleding moet geschikt zijn, d.w.z. deze moet nauwsluitend zijn zonder u te hinderen. Draag geen juwelen of kleding die zich kunnen vasthaken aan struiken en takken. Als u lang haar hebt, moet u een haarnetje gebruiken!
 - Het is noodzakelijk een veiligheidshelm te dragen wanneer u met de kettingzaag werkt. U moet de **veiligheidshelm** regelmatig controleren op beschadigingen en deze na uiterlijk 5 jaar vervangen. Gebruik alleen goedgekeurde veiligheidshelmen.
 - Het **spatscherm** van de veiligheidshelm (of de veiligheidsbril) beschermt u tegen zaagsel en houtsnippers. Draag tijdens het gebruik van de kettingzaag altijd een veiligheidsbril of een spatscherm om oogletsel te voorkomen.
 - Draag geschikte **geluidsbeschermingsmiddelen** (oorkappen, oordopjes, enz.).
 - De **veiligheidsjas** bestaat uit van 22 lagen nylon en beschermt de gebruiker tegen sneden. Deze moet altijd worden gedragen tijdens het werken op een hoogwerker (telescoophoogwerker, schaarhoogwerker), op een platform bevestigd aan ladders, of bij het klimmen met touwen.

- De **veiligheidsoverall** bestaat uit nylonmateriaal van 22 lagen en beschermt u tegen sneden. Wij raden het gebruik ervan sterk aan.
- **Veiligheidshandschoenen** gemaakt van dik leer maken deel uit van de voorgeschreven uitrusting en moeten altijd worden gedragen tijdens het gebruik van de kettingzaag.
- Tijdens het gebruik van de kettingzaag moet u altijd **lage** of **hoge veiligheidsschoenen** met antislipzolen, stalen neus en beenbescherming dragen. Veiligheidsschoenen die zijn voorzien van een beschermende laag bieden bescherming tegen sneden en zorgen ervoor dat u stevig staat. Voor het werken in bomen moeten de veiligheidschoenen geschikt zijn voor klimtechnieken.

Trillingen

1. Personen met een slechte bloedsomloop die worden blootgesteld aan sterke trillingen, kunnen verwondingen aan bloedvaten of het zenuwstelsel oplopen. Trillingen kunnen de volgende symptomen veroorzaken in de vingers, handen of polsen: "Slapen" (gevoelloosheid), tintelen, pijn, stekend gevoel, veranderen van huidskleur of van de huid. **Als een van deze symptomen zich voordoet, raadpleegt u uw huisarts!** Om de kans op deze 'witte-vingerziekte' te verkleinen, houdt u uw handen warm tijdens het werk en onderhoudt u het gereedschap en de accessoires goed.

BEWAAR DEZE VOORSCHRIFTEN.

⚠WAARSCHUWING: Laat u NIET misleiden door een vals gevoel van comfort en bekendheid met het gereedschap (na veelvuldig gebruik) en neem alle veiligheidsvoorschriften van het betreffende gereedschap altijd strikt in acht. VERKEERD GEBRUIK of het niet naleven van de veiligheidsvoorschriften in deze gebruiksaanwijzing kan leiden tot ernstig letsel.

Belangrijke veiligheidsinstructies voor een accu

1. Lees alle voorschriften en waarschuwingen op (1) de acculader, (2) de accu, en (3) het product waarvoor de accu wordt gebruikt, alvorens de accu in gebruik te nemen.
2. Neem de accu niet uit elkaar.
3. Als de gebruikstijd van een opgeladen accu aanzienlijk korter is geworden, moet u het gebruik ervan onmiddellijk stopzetten. Voortgezet gebruik kan oververhitting, brandwonden en zelfs een ontploffing veroorzaken.
4. Als elektrolyt in uw ogen is terechtgekomen, spoelt u uw ogen met schoon water en roept u onmiddellijk de hulp van een dokter in. Elektrolyt in de ogen kan blindheid veroorzaken.
5. Voorkom kortsluiting van de accu:
 - (1) Raak de accuklemmen nooit aan met een geleidend materiaal.

- (2) Bewaar de accu niet in een bak waarin andere metalen voorwerpen zoals spijkers, munten e.d. worden bewaard.
- (3) Stel de accu niet bloot aan water of regen. Kortsluiting van de accu kan oorzaak zijn van een grote stroomafgifte, oververhitting, brandwonden, en zelfs defecten.

6. Bewaar het gereedschap en de accu niet op plaatsen waar de temperatuur kan oplopen tot 50°C of hoger.
7. Werp de accu nooit in het vuur, ook niet wanneer hij zwaar beschadigd of volledig versleten is. De accu kan ontploffen in het vuur.
8. Wees voorzichtig dat u de accu niet laat vallen en hem niet blootstelt aan schokken of stoten.
9. Gebruik nooit een beschadigde accu.

10. De bijgeleverde lithium-ionbatterijen zijn onderhevig aan de vereisten in de wetgeving omtrent gevaarlijke stoffen.

Voor commercieel transport en dergelijke door derden en transporteurs moeten speciale vereisten ten aanzien van verpakking en etikettering worden nageleefd.

Als voorbereiding van het artikel dat wordt getransporteerd is het noodzakelijk een expert op het gebied van gevaarlijke stoffen te raadplegen. Houd u tevens aan mogelijk strengere nationale regelgeving. Blootliggende contactpunten moeten worden afgedekt met tape en de accu moet zodanig worden verpakt dat deze niet kan bewegen in de verpakking.

11. Volg bij het weggoien van de accu de plaatselijke voorschriften.
12. Gebruik de accu's uitsluitend met de gereedschappen die door Makita zijn aanbevolen. Als de accu's worden aangebracht in niet-compatibele gereedschappen, kan dat leiden tot brand, buitensporige warmteontwikkeling, een explosie of lekkage van elektrolyt.

BEWAAR DEZE INSTRUCTIES.

⚠LET OP: Gebruik uitsluitend originele Makita accu's. Het gebruik van niet-originele accu's, of accu's die zijn gewijzigd, kan ertoe leiden dat de accu ontploft en brand, persoonlijk letsel en schade veroorzaakt. Ook vervalt daarmee de garantie van Makita op het gereedschap en de lader van Makita.

Tips voor een maximale levensduur van de accu

1. Laad de accu op voordat hij volledig ontladen is. Stop het gebruik van het gereedschap en laad de accu op telkens wanneer u vaststelt dat het vermogen van het gereedschap is afgenomen.
2. Laad een volledig opgeladen accu nooit opnieuw op. Te lang opladen verkort de levensduur van de accu.
3. Laad de accu op bij een omgevingstemperatuur tussen 10°C en 40°C. Laat een warme accu afkoelen alvorens hem op te laden.
4. Laad de accu op als u deze gedurende een lange tijd (meer dan zes maanden) niet gaat gebruiken.

BESCHRIJVING VAN DE ONDERDELEN

► Fig.2

1	Trekkerschakelaar	2	Bovenhandgreep	3	Uit-vergrendelknop
4	Beschermkap van de voorhandgreep	5	Zaagblad	6	Zaagketting
7	Kettingvanger	8	Bevestigingsmoer	9	Stelschroef voor de zaagketting
10	Zaagselgeleider	11	Accu	12	Bedrijfslampje
13	Hoofdschakelaar	14	Stelschroef (voor oliepompe)	15	Karabijnhaak
16	Voorhandgreep	17	Olietankdop	18	Zaagbladschede

BESCHRIJVING VAN DE FUNCTIES

⚠ LET OP: Zorg altijd dat het gereedschap is uitgeschakeld en de accu ervan is verwijderd alvorens de functies op het gereedschap af te stellen of te controleren.

De accu aanbrengen en verwijderen

⚠ LET OP: Schakel het gereedschap altijd uit voordat u de accu aanbrengt of verwijdert.

⚠ LET OP: Houd het gereedschap en de accu stevig vast tijdens het aanbrengen of verwijderen van de accu. Als u het gereedschap en de accu niet stevig vasthoudt, kunnen deze uit uw handen glijpen en het gereedschap of de accu beschadigen, of kan persoonlijk letsel worden veroorzaakt.

► Fig.3: 1. Rood deel 2. Knop 3. Accu

Om de accu te verwijderen verschuift u de knop aan de voorkant van de accu en schuift u tegelijkertijd de accu uit het gereedschap.

Om de accu aan te brengen lijnt u de lip op de accu uit met de groef in de behuizing en duwt u de accu op zijn plaats. Steek de accu zo ver mogelijk in het gereedschap tot u een klikgeluid hoort. Als u het rode deel aan de bovenkant van de knop kunt zien, is de accu niet goed aangebracht.

⚠ LET OP: Breng de accu altijd helemaal aan totdat het rode deel niet meer zichtbaar is. Als u dit niet doet, kan de accu per ongeluk uit het gereedschap vallen en u of anderen in uw omgeving verwonden.

⚠ LET OP: Breng de accu niet met kracht aan. Als de accu niet gemakkelijk in het gereedschap kan worden geschoven, wordt deze niet goed aangebracht.

De resterende acculading controleren

Alleen voor accu's met indicatorlampjes

► Fig.4: 1. Indicatorlampjes 2. Testknop

Druk op de testknop op de accu om de resterende acculading te zien. De indicatorlampjes branden gedurende enkele seconden.

Indicatorlampjes			Resterende acculading
Brandt	Uit	Knippert	
■	■	■	75% tot 100%
■	■	□	50% tot 75%
■	□	□	25% tot 50%
■	□	□	0% tot 25%
▬	□	□	Laad de accu op.
■	■	□	Er kan een storing zijn opgetreden in de accu.
□	□	■	

OPMERKING: Afhankelijk van de gebruiksomstandigheden en de omgevingstemperatuur, is het mogelijk dat de aangegeven acculading verschilt van de werkelijke acculading.

Gereedschap-/accubeveiligingssysteem

Het gereedschap is voorzien van een gereedschap-/accubeveiligingssysteem. Dit systeem schakelt automatisch de voeding naar de motor uit om de levensduur van het gereedschap en de accu te verlengen. Het gereedschap kan tijdens het gebruik automatisch stoppen als het gereedschap of de accu aan één van de volgende omstandigheden wordt blootgesteld:

Overbelastingsbeveiliging

Als de accu wordt gebruikt op een manier waardoor een abnormaal hoge stroom wordt getrokken, stopt het gereedschap automatisch en knippert het bedrijfslampje groen. In dat geval schakelt u het gereedschap uit en stopt u met het gebruik waardoor het gereedschap overbelast raakte. Schakel daarna het gereedschap in om verder te gaan.

Oververhittingsbeveiliging

Wanneer het gereedschap of de accu oververhit is, stopt het gereedschap automatisch en gaat het bedrijfslampje rood branden. In dat geval laat u het gereedschap en de accu afkoelen voordat u het gereedschap opnieuw inschakelt.

OPMERKING: In een omgeving met een hoge temperatuur treedt de oververhittingsbeveiliging sneller in werking waardoor het gereedschap automatisch stopt.

Beveiliging tegen te ver ontladen

Als de acculading onvoldoende is, stopt het gereedschap automatisch en knippert het bedrijfslampje rood. In dat geval verwijderd u de accu vanaf het gereedschap en laadt u de accu op.

Hoofdschakelaar

WAARSCHUWING: Zet altijd de hoofdschakelaar uit indien niet in gebruik.

Om het gereedschap in te schakelen, drukt u op de hoofdschakelaar totdat het bedrijfslampje groen brandt. Om uit te schakelen, drukt u opnieuw op de hoofdschakelaar.

► **Fig. 5:** 1. Bedrijfslampje 2. Hoofdschakelaar

OPMERKING: Het bedrijfslampje knippert groen als de trekkerschakelaar wordt ingeknepen bij omstandigheden waaronder bediening onmogelijk is. De lamp knippert onder een van de volgende omstandigheden.

- Wanneer u de hoofdschakelaar inschakelt terwijl u de uit-vergrendelknop ingedrukt houdt en de trekkerschakelaar ingeknepen houdt.
- Wanneer u de trekkerschakelaar inknipt terwijl de kettingrem is geactiveerd.
- Wanneer u de kettingrem los zet terwijl u de uit-vergrendelknop ingedrukt houdt en de trekkerschakelaar ingeknepen houdt.

OPMERKING: Deze kettingzaag maakt gebruik van de automatische uitschakelfunctie. Om onbedoeld starten te voorkomen, wordt de hoofdschakelaar automatisch uitgeschakeld wanneer de trekkerschakelaar niet is ingeknepen gedurende een bepaalde tijdsduur nadat de hoofdschakelaar is ingeschakeld.

U kunt het gereedschap gebruiken in de koppelboostfunctie voor het zagen van dikke of harde takken. Om het gereedschap in de koppelboostfunctie te gebruiken, drukt u, terwijl het gereedschap is uitgeschakeld, gedurende enkele seconden op de hoofdschakelaar totdat het bedrijfslampje geel brandt.

OPMERKING: In de koppelboostfunctie kunt u het gereedschap gedurende 30 seconden gebruiken. Afhankelijk van de gebruiksomstandigheden, kan deze functie omschakelen naar de normale functie in minder dan 30 seconden.

OPMERKING: Als het bedrijfslampje geel knippert wanneer u gedurende enkele seconden op de hoofdschakelaar drukt, is de koppelboostfunctie niet beschikbaar. Volg in dat geval de onderstaande stappen.

- De koppelboostfunctie is niet beschikbaar onmiddellijk na het zagen. Wacht gedurende langer dan 10 seconden en druk daarna opnieuw op de hoofdschakelaar.
- Als u de koppelboostfunctie meerdere keren gebruikt, wordt het gebruik van de koppelboostfunctie beperkt om de accu te beschermen. Als de koppelboostfunctie niet beschikbaar is nadat u langer dan 10 seconden hebt gewacht, vervangt u de accu door een volledig opgeladen accu, of laadt u de accu op.

OPMERKING: Als het bedrijfslampje rood brandt, of rood of groen knippert, raadpleegt u de instructies voor het gereedschap-/accubeveiligingssysteem.

OPMERKING: De koppelboostfunctie kan niet worden gebruikt wanneer een accu van het type BL1815N, BL1820 of BL1820B is geïnstalleerd.

De trekkerschakelaar gebruiken

WAARSCHUWING: Voor uw veiligheid is dit gereedschap uitgerust met een uit-vergrendelknop die voorkomt dat het gereedschap onbedoeld start. Gebruik het gereedschap NOOIT wanneer het start door alleen de trekkerschakelaar in te knijpen zonder de uit-vergrendelknop in te drukken. Stuur het gereedschap naar ons erkende servicecentrum voor deugdelijke reparatie ZONDER het verder te gebruiken.

WAARSCHUWING: U mag NOOIT het doel of de werking van de uit-vergrendelknop teniet doen of deze vastplakken.

LET OP: Alvorens de accu in het gereedschap te plaatsen, moet u altijd controleren of de trekkerschakelaar goed werkt en bij het loslaten terugkeert naar de stand "OFF".

KENNISGEVING: Knijp de trekkerschakelaar niet hard in zonder de uit-vergrendelknop in te drukken. Hierdoor kan de schakelaar kapot gaan.

Om te voorkomen dat de trekkerschakelaar per ongeluk wordt bediend, is een uit-vergrendelknop aangebracht. Om het gereedschap te starten, houdt u de uit-vergrendelknop ingedrukt en knijpt u de trekkerschakelaar in. De snelheid van het gereedschap neemt toe naarmate u meer druk uitoefent op de trekkerschakelaar. Laat de trekkerschakelaar los om te stoppen.

► **Fig. 6:** 1. Trekkerschakelaar 2. Uit-vergrendelknop

De kettingrem controleren

⚠ALLET OP: Houd de kettingzaag met beide handen vast wanneer u hem inschakelt. Houd de bovenhandgreep met uw rechterhand vast en de voorhandgreep met uw linkerhand. Het zaagblad en de zaagketting mogen geen enkel voorwerp raken.

⚠ALLET OP: Als de zaagketting niet onmiddellijk tot stilstand komt wanneer deze controle wordt uitgevoerd, mag de kettingzaag onder geen beding worden gebruikt. Neem contact op met ons erkende servicecentrum.

1. Druk eerst de uit-vergrendelknop in en knijp daarna de trekkerschakelaar in. De zaagketting begint onmiddellijk te draaien.
2. Duw de beschermkap van de voorhandgreep naar voren met de rug van uw hand. Verzekeer u ervan dat de zaagketting onmiddellijk tot stilstand komt.
▶ **Fig.7:** 1. Beschermkap van de voorhandgreep
2. Vrij gezette stand 3. Vergrendelde stand

De uitlooprem controleren

⚠ALLET OP: Als de zaagketting bij deze controle niet binnen twee seconden tot stilstand komt, stopt u met het gebruik van de kettingzaag en neemt u contact op met ons erkende servicecentrum.

Laat de kettingzaag draaien en laat daarna de trekverschakelaar helemaal los. De zaagketting moet binnen twee seconden tot stilstand komen.

De kettingsmering afstellen

U kunt de toevoersnelheid van de oliepomp afstellen met de stelschroef met behulp van de universele sleutel. De hoeveelheid olie kan in 3 standen worden afgesteld.

▶ **Fig.8:** 1. Stelschroef

Karabijnhaak (bevestigingspunt voor een touw)

U kunt het gereedschap laten hangen door een touw vast te knopen aan de karabijnhaak. Trek de karabijnhaak omhoog en knoop er daarna een touw aan vast.

Elektronische functies

Het gereedschap is uitgerust met elektronische functies voor een eenvoudige bediening.

- **Zachte start**
De functie zachte-start minimaliseert de startschok en laat het gereedschap geleidelijk starten.

MONTAGE

⚠ALLET OP: Zorg altijd dat het gereedschap is uitgeschakeld en de accu ervan is verwijderd alvorens enig werk aan het gereedschap uit te voeren.

⚠ALLET OP: Raak de zaagketting niet met blote handen aan. Draag altijd handschoenen wanneer u de zaagketting hanteert.

De zaagketting aanbrengen of verwijderen

⚠ALLET OP: De zaagketting en het zaagblad zijn kort na gebruik nog heet. Laat ze eerst afkoelen, voordat u enige werkzaamheden aan het gereedschap uitvoert.

⚠ALLET OP: Voer de procedure voor het aanbrengen of verwijderen van de zaagketting uit in een schone omgeving, vrij van zaagsel en dergelijke.

Om de zaagketting te verwijderen, gaat u als volgt te werk:

1. Zet de kettingrem los door aan de beschermkap van de voorhandgreep te trekken.

2. Draai de stelschroef voor de zaagketting los en draai daarna de bevestigingsmoer los.

▶ **Fig.9:** 1. Stelschroef voor de zaagketting
2. Bevestigingsmoer

3. Verwijder de afdekking van het kettingwiel en verwijder daarna de zaagketting en het zaagblad vanaf de kettingzaag.

Om de zaagketting aan te brengen, gaat u als volgt te werk:

1. Controleer de richting van de zaagketting. Zorg ervoor dat de richting van de zaagketting hetzelfde is als die van de markering op het kettingzaaghuis.

2. Leg één kant van de zaagketting op de bovenkant van het zaagblad.

3. Leg de andere kant van de zaagketting rond het kettingwiel, en bevestig daarna het zaagblad aan het kettingzaaghuis, waarbij het gat in het zaagblad moet zijn uitgelijnd met de pen op het kettingzaaghuis.

▶ **Fig.10:** 1. Kettingwiel 2. Gat

4. Steek het uitsteeksel op de afdekking van het kettingwiel in het kettingzaaghuis, en sluit daarna de afdekking zodat de bout en pennen op het kettingzaaghuis op hun plaats in de afdekking vallen.

▶ **Fig.11:** 1. Uitsteeksel 2. Afdekking van het kettingwiel 3. Bout 4. Pen

5. Draai de bevestigingsmoer vast om de afdekking van het kettingwiel vast te zetten, en draai hem daarna iets los om de spanning te kunnen afstellen.

▶ **Fig.12:** 1. Bevestigingsmoer

De kettingspanning afstellen

⚠ LET OP: Span de zaagketting niet te strak. Bij een te hoge spanning kan de zaagketting breken, het zaagblad slijten en de stelknop defect raken.

⚠ LET OP: Een zaagketting die te los zit kan van het zaagblad af springen en een ongeluk met letsel veroorzaken.

De zaagketting kan na vele gebruiksuren los gaan zitten. Controleer regelmatig de kettingspanning vóór gebruik.

1. Zet de kettingrem los door aan de beschermkap van de voorhandgreep te trekken.
2. Draai de bevestigingsmoer iets los om de afdekking van het kettingwiel iets los te maken.
▶ **Fig.13:** 1. Bevestigingsmoer
3. Til het uiteinde van het zaagblad iets omhoog en stel de kettingspanning af. Draai de stelschroef voor de zaagketting rechtsom om de zaagketting strakker te zetten en linksom om hem lossere te zetten.

Voor kettingmes 90PX en 91PX:

Zet de zaagketting strakker totdat de onderrand van de zaagketting in de zaagbladrail past zoals afgebeeld.

- ▶ **Fig.14:** 1. Zaagblad 2. Zaagketting 3. Stelschroef voor de zaagketting

Voor kettingmes 25AP:

Zet de zaagketting strak zodat de opening tussen het midden van de onderrand van het zaagblad en de zaagketting ongeveer 1 mm tot 2 mm is.

4. Houd het zaagblad licht vast en zet de afdekking van het kettingwiel vast.

Voor kettingmes 90PX en 91PX:

Zorg ervoor dat de zaagketting aan de onderrand van het zaagblad niet los hangt.

Voor kettingmes 25AP:

Verzekeer u ervan dat de opening tussen het midden van de onderrand van het zaagblad en de zaagketting ongeveer 1 mm tot 2 mm is.

5. Draai de bevestigingsmoer vast om de afdekking van het kettingwiel vast te maken.

- ▶ **Fig.15:** 1. Bevestigingsmoer

Verzekeer u ervan dat de zaagketting strak langs de onderrand van het zaagblad loopt.

Getande kam

Optioneel accessoire

Wij adviseren u de getande kam te gebruiken bij het zagen van dikke takken. Om de getande kam aan te brengen, voert u de volgende stappen uit:

1. Verwijder de afdekking van het kettingwiel, de zaagketting en het zaagblad.
2. Lijn de gaten in de getande kam uit met de gaten in het kettingzaaghuis en draai daarna de schroeven stevig vast.

- ▶ **Fig.16:** 1. Schroef 2. Getande kam

BEDIENING

Smering

De zaagketting wordt automatisch gesmeerd tijdens het gebruik van het gereedschap. Controleer regelmatig hoeveel olie er nog in de olietank zit door het oliepeilglas.

Om de olietank bij te vullen, legt u de kettingzaag op zijn zijkant en verwijderd u de olietankdop. De correcte hoeveelheid olie is 140 ml. Draai na het bijvullen van de olietank altijd de olietankdop stevig erop.

- ▶ **Fig.17:** 1. Olietankdop 2. Oliepeilglas

Houd na het bijvullen de kettingzaag uit de buurt van de boom. Start de kettingzaag en wacht tot de zaagketting voldoende gesmeerd is.

- ▶ **Fig.18**

KENNISGEVING: Wanneer u voor het eerst kettingolie bijvult, of de olietank bijvult nadat deze geheel leeg is geraakt, vult u olie bij tot aan de onderrand van de vulnek. Anders kan de olietoevoer gehinderd worden.

KENNISGEVING: Gebruik zaagkettingolie exclusief voor Makita-kettingzagen of een in de winkel verkrijgbare gelijkwaardige kettingolie.

KENNISGEVING: Gebruik nooit olie die is verontreinigd met vuil- en stofdeeltjes of vluchtige olie.

KENNISGEVING: Gebruik botanische olie voor het snoeien van bomen. Minerale olie kan schadelijk zijn voor bomen.

KENNISGEVING: Voordat u begint te zagen, controleert u of de bijgeleverde olietankdop erop is gedraaid.

WERKEN MET DE KETTINGZAAG

⚠ LET OP: Als minimale voorbereiding dient een beginnende gebruiker eerst te oefenen door stammen te zagen op een schraag of bok.

⚠ LET OP: Bij het zagen van losse stukken hout dient u een veilige steun te gebruiken (een schraag of zaagbok). Zet niet uw voet op het werkstuk om dat tegen te houden en vraag ook nooit iemand anders om het vast te houden.

⚠ LET OP: Zet ronde stukken zo vast dat ze niet kunnen gaan draaien.

⚠ LET OP: Houd alle delen van uw lichaam uit de buurt van de zaagketting wanneer de motor draait.

⚠ LET OP: Houd de kettingzaag stevig vast met beide handen wanneer de motor draait.

⚠ LET OP: Reik niet te ver. Zorg ervoor dat u altijd stevige steun voor de voeten hebt en uw evenwicht behoudt.

KENNISGEVING: Gooi nooit met het gereedschap en laat het niet vallen.

KENNISGEVING: Dek de luchtuitstroomopeningen van het gereedschap niet af.

Bomen snoeien

Plaats het kettingzaaghuis tegen de af te zagen tak voordat u hem inschakelt. Anders kan het zaagblad gaan wiebelen en de gebruiker verwonden. Zaag het hout door de kettingzaag met behulp van zijn eigen gewicht omlaag te bewegen.

► Fig.19

Als u niet in één keer door het hout kunt zagen: Oefen lichte druk uit op de handgreep, blijf zagen en trek de kettingzaag een stukje terug.

► Fig.20

Als u dikke takken doorzaagt, maakt u eerst een ondiepe zaagsnede aan de onderkant en maakt u vervolgens de definitieve zaagsnede vanaf de bovenkant.

► Fig.21

Als u een dikke tak vanaf de onderkant probeert door te zagen, kan de tak tijdens het zagen doorbuigen en de zaagketting beknellen. Als u een dikke tak vanaf de bovenkant probeert door te zagen zonder een ondiepe snede aan de onderkant, kan de tak splinteren.

► Fig.22

Afzagen

1. Plaats het kettingzaaghuis tegen het te zagen hout.

► Fig.23

2. Zaag met draaiende zaagketting in het hout en gebruik de bovenhandgreep om de zaag omhoog te brengen terwijl u met de voorhandgreep het zagen begeleidt.

3. Vervolg de zaagsnede door licht op de bovenhandgreep te drukken en de zaag een stukje terug te trekken.

KENNISGEVING: Als u meerdere zaagsneden maakt, schakelt u de kettingzaag uit tussen de zaagsneden.

⚠ LET OP: Als de zaagketting langs de bovenrand van het zaagblad wordt gebruikt om te zagen, kan de kettingzaag in uw richting worden bewogen als de ketting klem komt te zitten. Om deze reden moet u met de onderrand van het zaagblad zagen zodat de kettingzaag van uw lichaam af wordt bewogen.

► Fig.24

Als het hout onder spanning staat, zaagt u eerst de kant met de drukkracht (A). Maak de eindzaagsnede aan de kant met de trekkracht (B). Hiermee voorkomt u dat het zaagblad bekneld raakt.

► Fig.25

Takken afzagen

⚠ LET OP: Takken afzagen mag uitsluitend worden uitgevoerd door getrainde personen. Door het risico van terugslag kan een gevaarlijke situatie ontstaan.

Steun bij het afzagen van takken de kettingzaag zo mogelijk af op de boomstam. Zaag niet met de punt van het zaagblad omdat hierdoor de kans op terugslag ontstaat.

Let met name goed op bij takken die onder spanning staan. Zaag geen takken vanaf de onderkant als deze niet worden ondersteund.

Ga bij het afzagen van takken niet bovenop de omgezaagde boomstam staan.

Het gereedschap dragen

Alvorens het gereedschap te dragen, trekt u altijd de kettingrem aan en haalt u de accu's van het gereedschap af. Breng vervolgens de zaagbladschede aan. Plaats ook het accudeksel op de accu.

► Fig.26: 1. Zaagbladschede 2. Accudeksel

ONDERHOUD

⚠ LET OP: Zorg altijd dat het gereedschap is uitgeschakeld en de accu ervan is verwijderd alvorens te beginnen met onderhoud of inspectie.

⚠ LET OP: Draag bij inspectie- of onderhoudswerkzaamheden altijd handschoenen.

KENNISGEVING: Gebruik nooit benzine, wasbenzine, thinner, alcohol en dergelijke. Hierdoor kunnen verkleuring, vervormingen en barsten worden veroorzaakt.

Om de VEILIGHEID en BETROUWBAARHEID van het gereedschap te handhaven, dienen alle reparaties, onderhoud of afstellingen te worden uitgevoerd bij een erkend Makita-servicecentrum of de Makita-fabriek, en altijd met gebruik van Makita-vervangingsonderdelen.

De zaagketting slijpen

Slijp de zaagketting als:

- Poederachtig zaagsel wordt geproduceerd tijdens het zagen van vochtig hout;
- De zaagketting moeizaam in het hout binnendringt, zelfs wanneer hoge druk wordt uitgeoefend;
- De zaagsnijrand duidelijk beschadigd is;
- De kettingzaag naar links of rechts trekt in het hout. (veroorzaakt door een ongelijkmatige scherpte van de zaagketting, of een beschadiging aan slechts een kant)

Slijp de zaagketting veelvuldig, maar iedere keer slechts weinig. Twee of drie bewegingen met een vijl zijn doorgaans voldoende voor regelmatig bijlijpen. Als de zaagketting meerdere malen is bijgeslepen, laat u deze een keer slijpen door een in ons erkende servicecentrum.

Criteria bij het slijpen:

⚠ WAARSCHUWING: Een buitensporige afstand tussen de zaagsnijrand en de dieptevoeler vergroot de kans op terugslag.

► **Fig.27:** 1. Lengte van het mes 2. Afstand tussen de zaagsnijrand en de dieptevoeler 3. Minimumlengte van het mes (3 mm)

- Alle messen moeten gelijk van lengte zijn. Door een verschillende lengten van messen kan de zaagketting niet gelijkmatig lopen en kan de zaagketting breken.
- Slijp de zaagketting niet verder als de lengte van de messen 3 mm of korter is. De zaagketting moet worden vervangen door een nieuwe.
- De dikte van spaanders wordt bepaald door de afstand tussen de zaagsnijrand en de dieptevoeler (ronde neus).
- De beste zaagresultaten verkrijgt u met de volgende afstand tussen de zaagsnijrand en de dieptevoeler.
 - Kettingmes 90PX: 0,65 mm
 - Kettingmes 91PX: 0,65 mm
 - Kettingmes 25AP: 0,65 mm

► **Fig.28**

- De slijphoek van 30° moet voor alle messen gelijk zijn. Bij verschillende slijphoeken zal de zaagketting ruw en ongelijkmatig lopen, de slijtage toenemen en de zaagketting kunnen breken.
- Gebruik een geschikte ronde vijl tegen de tanden zodat een correcte slijphoek behouden blijft.
 - Kettingmes 90PX: 55°
 - Kettingmes 91PX: 55°
 - Kettingmes 25AP: 55°

Vijl en vijlbeweging

- Gebruik een speciale ronde zaagkettingsvijl (optioneel accessoire) voor het slijpen van de ketting. Een gewone ronde vijl is niet geschikt.
- De doorsnede van de ronde vijl voor elke zaagketting is als volgt:
 - Kettingmes 90PX: 4,5 mm
 - Kettingmes 91PX: 4,0 mm
 - Kettingmes 25AP: 4,0 mm
- De vijl mag het mes alleen in voorwaartse richting raken. Haal de vijl van het mes voor de terugwaartse beweging.
- Slijp eerst het kortste mes. De lengte van dit mes wordt dan de maatstaf voor alle andere messen op de zaagketting.
- Beweeg de vijl zoals aangegeven in de afbeelding.

► **Fig.29:** 1. Vijl 2. Zaagketting

- De vijl kan gemakkelijker worden bewogen als een vijlhouder (optioneel accessoire) wordt gebruikt. Op de vijlhouder staan merktekens voor de juiste slijphoek van 30° (lijn de merktekens parallel uit met de zaagketting) en beperkt de diepte waartoe de vijl doordringt (tot 4/5 van de vijldiameter).

► **Fig.30:** 1. Vijlhouder

- Nadat de zaagketting is geslepen, controleert u de hoogte van de dieptevoeler met behulp van het kettingmeetgereedschap (optioneel accessoire).

► **Fig.31**

- Verwijder eventueel uitstekend materiaal, ongeacht hoe klein, met een speciale vlakke vijl (optioneel accessoire).
- Maak de voorkant van de dieptevoeler weer rond.

Het zaagblad schoonmaken

Spaanders en zaagsel zullen zich in de groef van het zaagblad ophopen. Deze kunnen de groef verstoppen en de oliestroom belemmeren. Verwijder de spaanders en het zaagsel elke keer wanneer u de zaagketting slijpt of vervangt.

► **Fig.32**

De afdekking van het kettingwiel schoonmaken

Spaanders en zaagsel zullen zich binnenin de afdekking van het kettingwiel ophopen. Verwijder de afdekking van het kettingwiel en de zaagketting vanaf het gereedschap, en verwijder vervolgens de spaanders en het zaagsel.

► **Fig.33**

De olie-uitstroomopening schoonmaken

Kleine vuil- of stofdeeltjes kunnen zich tijdens gebruik ophopen in de olie-uitstroomopening. Deze vuil- of stofdeeltjes kunnen het uitstromen van de olie belemmeren waardoor de hele zaagketting onvoldoende wordt gesmeerd. Wanneer onvoldoende toevoer van kettingolie optreedt aan het uiteinde van het zaagblad, maakt u de olie-uitstroomopening als volgt schoon.

1. Verwijder de afdekking van het kettingwiel en de zaagketting vanaf het gereedschap.
2. Verwijder de kleine vuil- of stofdeeltjes met een platkopschroevendraaier met een dunne schacht of iets dergelijks.
► **Fig.34:** 1. Platkopschroevendraaier
2. Olie-uitstroomopening
3. Plaats de accu in het gereedschap. Knijp de trekverschakelaar in om opgehoopte vuil- en stofdeeltjes uit de olie-uitstroomopening te persen door kettingolie eruit te laten stromen.
4. Verwijder de accu van het gereedschap. Monteer de afdekking van het kettingwiel en de zaagketting weer op het gereedschap.

Het kettingwiel vervangen

⚠ LET OP: Een versleten kettingwiel zal de nieuwe zaagketting beschadigen. Laat in dat geval het kettingwiel vervangen.

Controleer de staat van het kettingwiel voordat u een nieuwe zaagketting monteert.

► **Fig.35:** 1. Kettingwiel 2. Plaatsen die slijten

Monteer bij het vervangen van het kettingwiel altijd een nieuwe borgring.

► **Fig.36:** 1. Borgring 2. Kettingwiel

KENNISGEVING: Verzeker u ervan dat het kettingwiel wordt gemonteerd zoals aangegeven in de afbeelding.

Het gereedschap opbergen

1. Maak het gereedschap schoon voordat u het opbergt. Haal de afdekking van het kettingwiel eraf en verwijder alle spaanders en zaagsel vanaf het gereedschap.
2. Laat na het schoonmaken het gereedschap onbelast draaien om de zaagketting en het zaagblad te smeren.
3. Plaats de zaagbladschede over het zaagblad.
4. Maak de olietank leeg.

Instructies voor periodiek onderhoud

Om zeker te zijn van een lange levensduur, om schade te voorkomen en om zeker te zijn van de volledige werking van de veiligheidsvoorzieningen, moet het volgende onderhoud regelmatig worden uitgevoerd. Garantieclaims kunnen alleen worden geaccepteerd als deze werkzaamheden regelmatig en correct worden uitgevoerd. Als deze voorgeschreven onderhoudswerkzaamheden niet worden uitgevoerd, kan dat ongelukken veroorzaken! De gebruiker van de kettingzaag mag echter geen werkzaamheden uitvoeren die niet worden beschreven in de gebruiksaanwijzing. Dergelijke werkzaamheden moeten worden uitgevoerd door ons erkende servicecentrum.

Controlepunt / Bedrijfstijd		Vóór het gebruik	Elke dag	Elke week	Elke 3 maanden	Jaarlijks	Vóór opbergen
Kettingzaag	Inspecteren.	✓	-	-	-	-	-
	Schoonmaken.	-	✓	-	-	-	-
	Laten controleren door een erkend servicecentrum.	-	-	-	-	✓	✓
Zaagketting	Inspecteren.	✓	-	-	-	-	-
	Slijpen indien nodig.	-	-	-	-	-	✓
Zaagblad	Inspecteren.	✓	✓	-	-	-	-
	Verwijderen van de kettingzaag.	-	-	-	-	-	✓
Kettingrem	Controleren van de werking.	✓	-	-	-	-	-
	Regelmatig laten inspecteren bij een erkend servicecentrum.	-	-	-	✓	-	-
Kettingsmering	Controleren van de olietoevoersnelheid.	✓	-	-	-	-	-
Trekkerschakelaar	Inspecteren.	✓	-	-	-	-	-
Uitvergrendelknop	Inspecteren.	✓	-	-	-	-	-
Olietankdop	Controleren op vastzitten.	✓	-	-	-	-	-
Kettingvanger	Inspecteren.	-	-	✓	-	-	-
Bouten en moeren	Inspecteren.	-	-	✓	-	-	-

PROBLEMEN OPLOSSEN

Alvorens u verzoekt om reparatie, kunt u zelf als volgt het probleem opsporen en oplossen. Als u met een probleem kampt dat in deze handleiding niet wordt beschreven, probeer dan niet het gereedschap te demonteren. Laat reparaties over aan een erkend Makita-servicecentrum, uitsluitend met gebruik van originele Makita-vervangingsonderdelen.

Symptoom of storing	Oorzaak	Handeling
De kettingzaag start niet.	De accu is niet geplaatst.	Plaats een opgeladen accu.
	Probleem met de accu (onvoldoende spanning).	Laad de accu's op. Als het opladen geen verbetering brengt, vervangt u de accu door een nieuwe.
	De hoofdschakelaar staat uit.	De kettingzaag wordt automatisch uitgeschakeld wanneer deze gedurende een bepaalde tijdsduur niet wordt bediend. Schakel de hoofdschakelaar weer in.
De zaagketting draait niet.	De kettingrem is aangetrokken.	Zet de kettingrem los.
De motor slaat al na korte tijd af.	De lading van de accu is bijna op.	Laad de accu's op. Als het opladen geen verbetering brengt, vervangt u de accu door een nieuwe.
Geen olie op de zaagketting.	De olietank is leeg.	Vul de olietank.
	De olietoevoergroef is verstopt.	Maak de groef schoon.
	Slechte olietoevoer.	Stel de hoeveelheid toegevoerde olie af met behulp van de stelschroef.
Het maximumtoerental van de kettingzaag wordt niet bereikt.	De accu is verkeerd aangebracht.	Plaats de accu zoals beschreven in deze gebruiksaanwijzing.
	De accuspanning wordt minder.	Laad de accu op. Als het opladen geen verbetering brengt, vervangt u de accu door een nieuwe.
	Het aandrijfsysteem werkt niet goed.	Vraag een erkend servicecentrum in uw regio het gereedschap te repareren.
Het bedrijfslampje knippert groen.	De trekkerschakelaar wordt ingeknepen bij omstandigheden waaronder bediening onmogelijk is.	Knijp de trekkerschakelaar in nadat de hoofdschakelaar is ingeschakeld en de kettingrem is los gezet.
De zaagketting stopt niet wanneer de kettingrem wordt aangetrokken: Stop het gereedschap onmiddellijk!	De remband is versleten.	Vraag een erkend servicecentrum in uw regio het gereedschap te repareren.
Abnormale trillingen: Stop het gereedschap onmiddellijk!	Losgeraakt zaagblad of zaagketting.	Stel het zaagblad en de kettingspanning af.
	Het gereedschap is defect.	Vraag een erkend servicecentrum in uw regio het gereedschap te repareren.
De koppelboostfunctie is niet beschikbaar nadat de accu is vervangen door een volledig opgeladen accu.	Afhankelijk van de gebruiksomstandigheden is de koppelboostfunctie niet beschikbaar nadat de accu is vervangen.	Gebruik het gereedschap in de normale functie totdat de geplaatste accu leeg is en vervang daarna de accu door een volledig opgeladen accu, of laad de accu op.

OPTIONELE ACCESSOIRES

⚠ LET OP: Deze accessoires of hulpstukken worden aanbevolen voor gebruik met het Makita gereedschap dat in deze gebruiksaanwijzing is beschreven. Bij gebruik van andere accessoires of hulpstukken bestaat het gevaar van persoonlijke letsel. Gebruik de accessoires of hulpstukken uitsluitend voor hun bestemde doel.

Wenst u meer bijzonderheden over deze accessoires, neem dan contact op met het plaatselijke Makita-servicecentrum.

- Zaagketting
- Zaagblad
- Zaagbladschede

- Kettingwiel
- Getande kam
- Vijl
- Gereedschapszak
- Originele Makita-accu en -acculader

⚠ WAARSCHUWING: Als u een zaagblad van een andere lengte dan het standaardzaagblad aanschaft, koopt u tevens een bijbehorende zaagbladschede. Deze moet passen en het zaagblad van de kettingzaag volledig bedekken.

OPMERKING: Sommige items op de lijst kunnen zijn inbegrepen in de doos van het gereedschap als standaard toebehoren. Deze kunnen van land tot land verschillen.

ESPECIFICACIONES

Modelo:		DUC204	DUC254	DUC254C
Longitud total (sin la placa de guía)		256 mm		
Tensión nominal		CC 18 V		
Peso neto		2,8 - 3,3 kg		
Longitud de la placa de guía estándar		200 mm	250 mm	
Longitud recomendada de la placa de guía	con 90PX	200 - 250 mm		-
	con 91PX	-	250 mm	-
	con 25AP	-		250 mm
Tipo de cadena de sierra aplicable (consulte la tabla de abajo)		90PX	90PX 91PX	25AP
Piñón estándar	Número de dientes	6		9
	Paso	3/8"		1/4"
Velocidad de la cadena		0 - 24 m/s (0 - 1.440 m/min)		0 - 22,5 m/s (0 - 1.350 m/min)
Volumen del depósito de aceite de la cadena		140 cm ³		

- Debido a nuestro continuado programa de investigación y desarrollo, las especificaciones aquí dadas están sujetas a cambios sin previo aviso.
- Las especificaciones pueden variar de un país a otro.
- El peso puede variar dependiendo del accesorio(s), incluyendo el cartucho de batería. La combinación menos pesada y la más pesada, de acuerdo con el procedimiento EPTA 01/2014, se muestran en la tabla.

Cartucho de batería aplicable

BL1815N / BL1820 / BL1820B / BL1830 / BL1830B / BL1840 / BL1840B / BL1850 / BL1850B / BL1860B

- Algunos de los cartuchos de batería indicados arriba puede que no estén disponibles dependiendo de su región de residencia.

⚠ ADVERTENCIA: Utilice solamente los cartuchos de batería listados arriba. La utilización de cualquier otro cartucho de batería puede ocasionar heridas y/o un incendio.

Combinación de cadena de sierra, placa de guía, y piñón

Tipo de cadena de sierra		90PX	
Número de eslabones de arrastre		33	40
Placa de guía	Longitud de la placa de guía	200 mm	250 mm
	Longitud de corte	180 mm	244 mm
	Paso	3/8"	
	Calibre	1,1 mm	
	Tipo	Placa de morro de piñón	
Piñón	Número de dientes	6	
	Paso	3/8"	

Tipo de cadena de sierra		91PX	
Número de eslabones de arrastre		40	
Placa de guía	Longitud de la placa de guía	250 mm	
	Longitud de corte	244 mm	
	Paso	3/8"	
	Calibre	1,3 mm	
	Tipo	Placa de morro de piñón	
Piñón	Número de dientes	6	
	Paso	3/8"	

Tipo de cadena de sierra		25AP
Número de eslabones de arrastre		60
Placa de guía	Longitud de la placa de guía	250 mm
	Longitud de corte	250 mm
	Paso	1/4"
	Calibre	1,3 mm
	Tipo	Placa de tallar
Piñón	Número de dientes	9
	Paso	1/4"

AVISO: Cuando utilice la cadena de sierra 25AP, utilícela con el Piñón 9 (accesorio opcional).

ADVERTENCIA: Utilice la combinación apropiada de placa de guía y cadena de sierra. De lo contrario podrá resultar en heridas personales.

Símbolos

A continuación se muestran los símbolos utilizados con este equipo. Asegúrese de que entiende su significado antes de usarlo.

	Lea el manual de instrucciones.
	Póngase gafas de seguridad.
	Póngase protección para los oídos.
	Póngase un casco, gafas de seguridad y protección para los oídos.
	Utilice protección apropiada para pies-piernas y manos-brazos.
	Esta sierra es para ser utilizada solo por operarios capacitados.
	No exponga a la humedad.
	Longitud de corte permitida máxima
	Utilice siempre las dos manos cuando opere la sierra de cadena.
	Dirección de desplazamiento de la cadena
	Ajuste del aceite de la cadena de sierra
	Ni-MH Li-ion
	Sólo para países de la Unión Europea ¡No deseche los aparatos eléctricos o baterías junto con los residuos domésticos! De conformidad con las Directivas Europeas, sobre residuos de aparatos eléctricos y electrónicos y baterías y acumuladores y residuos de baterías y acumuladores y su aplicación de acuerdo con la legislación nacional, los aparatos eléctricos y pilas y baterías cuya vida útil haya llegado a su fin deberán ser recogidos por separado y trasladados a una planta de reciclaje que cumpla con las exigencias ecológicas.

Uso previsto

Esta herramienta ha sido prevista para cortar ramas y podar árboles. También es apropiada para el mantenimiento de árboles.

Ruido

El nivel de ruido A-ponderado típico determinado de acuerdo con la norma IEC62841-4-1:

Modelo DUC204

Nivel de presión sonora (L_{pA}) : 92,2 dB (A)
 Nivel de potencia sonora (L_{WA}) : 103,2 dB (A)
 Error (K) : 2,5 dB (A)

Modelo DUC254

Nivel de presión sonora (L_{pA}) : 92,2 dB (A)
 Nivel de potencia sonora (L_{WA}) : 103,2 dB (A)
 Error (K) : 2,5 dB (A)

Modelo DUC254C

Nivel de presión sonora (L_{pA}) : 92,2 dB (A)
 Nivel de potencia sonora (L_{WA}) : 103,2 dB (A)
 Error (K) : 2,5dB (A)

ADVERTENCIA: Póngase protectores para oídos.

Vibración

El valor total de la vibración (suma de vectores triaxiales) determinado de acuerdo con la norma IEC62841-4-1:

Modelo DUC204

Modo de trabajo: corte de madera
 Emisión de vibración ($a_{h,w}$): 3,1 m/s²
 Error (K) : 1,5 m/s²

Modelo DUC254

Modo de trabajo: corte de madera
 Emisión de vibración ($a_{h,w}$): 3,1 m/s²
 Error (K) : 1,5 m/s²

Modelo DUC254C

Modo de trabajo: corte de madera
 Emisión de vibración ($a_{h,w}$): 4,1m/s²
 Error (K) : 1,5 m/s²

NOTA: El valor de emisión de vibración declarado ha sido medido de acuerdo con el método de prueba estándar y se puede utilizar para comparar una herramienta con otra.

NOTA: El valor de emisión de vibración declarado también se puede utilizar en una valoración preliminar de exposición.

⚠️ ADVERTENCIA: La emisión de vibración durante la utilización real de la herramienta eléctrica puede variar del valor de emisión declarado dependiendo de las formas en las que la herramienta sea utilizada.

⚠️ ADVERTENCIA: Asegúrese de identificar medidas de seguridad para proteger al operario que estén basadas en una estimación de la exposición en las condiciones reales de utilización (teniendo en cuenta todas las partes del ciclo operativo como las veces cuando la herramienta está apagada y cuando está funcionando en vacío además del tiempo de gatillo).

Declaración CE de conformidad

Para países europeos solamente

La declaración CE de conformidad está incluida como Anexo A de esta manual de instrucciones.

ADVERTENCIAS DE SEGURIDAD

Advertencias de seguridad para herramientas eléctricas en general

⚠️ ADVERTENCIA: Lea todas las advertencias de seguridad, instrucciones, ilustraciones y especificaciones provistas con esta herramienta eléctrica. Si no sigue todas las instrucciones indicadas abajo podrá resultar en una descarga eléctrica, un incendio y/o heridas graves.

Guarde todas las advertencias e instrucciones para futuras referencias.

El término "herramienta eléctrica" en las advertencias se refiere a su herramienta eléctrica de funcionamiento con conexión a la red eléctrica (con cable) o herramienta eléctrica de funcionamiento a batería (sin cable).

Advertencias de seguridad de la electrosierra inalámbrica

- 1. Mantenga todas las partes del cuerpo alejadas de la cadena de sierra cuando esté siendo utilizada la electrosierra. Antes de poner en marcha la electrosierra, asegúrese de que la cadena de sierra no está en contacto con ninguna cosa.** Un momento de desatención mientras se están utilizando electrosierras puede dar lugar a que la cadena de sierra se enrede en sus ropas o cuerpo.
- 2. Sujete siempre la sierra de cadena con la mano derecha en la empuñadura superior y la mano izquierda empuñadura delantera.** Si sujeta la sierra de cadena con las manos al contrario aumentará el riesgo de heridas personales y por ello no deberá hacerlo nunca.

- 3. Sujete la herramienta eléctrica por las superficies de asiento aisladas solamente, porque la cadena de sierra puede entrar en contacto con cableado oculto.** El contacto de la cadena de sierra con un cable con corriente podrá hacer que la corriente circule por las partes metálicas expuestas de la herramienta eléctrica y podrá soltar una descarga eléctrica al operario.
- 4. Póngase gafas de seguridad y protección para los oídos.** También es recomendable utilizar equipo protector para la cabeza, las manos, las piernas y los pies. La ropa de protección adecuada reducirá las heridas personales debidas a los restos que salen despididos o al contacto accidental con la cadena de sierra.
- 5. Mantenga siempre los pies sobre suelo firme.**
- 6. Cuando corte una rama que esté bajo tensión, manténgase alerta por si retrocede de repente.** Cuando se libera la tensión en las fibras de madera la rama bajo tensión puede golpear al operario y/o descontrolar la electrosierra.
- 7. Extremar las precauciones cuando corte maleza y árboles jóvenes.** El material delgado puede engancharse en la cadena de sierra y producir un latigazo hacia usted o hacerle perder el equilibrio.
- 8. Transporte la electrosierra agarrándola por la empuñadura delantera teniéndola apagada y alejada de su cuerpo. Cuando transporte o almacene la electrosierra, coloque siempre la cubierta de la placa de guía.** Un manejo correcto de la electrosierra reducirá la posibilidad de un contacto accidental con la cadena de sierra.
- 9. Siga las instrucciones para lubricar, tensar la cadena y cambiar los accesorios.** Una cadena tensada o lubricada incorrectamente podrá romperse o aumentar la probabilidad de que se produzca un retroceso brusco.
- 10. Mantenga las empuñaduras secas, limpias y libres de aceite y grasa.** Las empuñaduras grasientas o aceitosas son resbaladizas y pueden ocasionar la pérdida del control.
- 11. Corte madera solamente. No utilice la electrosierra con fines para los que no ha sido prevista.** Por ejemplo: no utilice la electrosierra para cortar plástico, mampostería o materiales de construcción que no sean de madera. La utilización de la electrosierra para operaciones diferentes de las previstas podrá ponerle en una situación peligrosa.
- 12. Causas y prevención de retrocesos bruscos:** El retroceso brusco podrá ocurrir cuando el morro o la punta de la placa de guía toca un objeto, o cuando la madera se cierra y aprisiona la cadena de sierra en la hendidura del corte. El contacto de la punta puede ocasionar en algunos casos una reacción brusca hacia atrás, golpeando la placa de guía hacia arriba y hacia atrás en dirección del operario. El aprisionamiento de la cadena de sierra a lo largo de la parte superior de la placa de guía puede empujar la placa de guía rápidamente hacia atrás en dirección del operario. Cualquiera de estas reacciones puede hacerle perder el control de la sierra y resultar en heridas personales graves. No dependa exclusivamente de los dispositivos de seguridad incorporados en la sierra. Como usuario de una electrosierra, deberá tomar varias medidas para mantener sus tareas de corte libres de accidentes o heridas. Los retrocesos bruscos se deben a un mal uso de la herramienta y/o a procedimientos o condiciones de trabajo incorrectos y pueden evitarse tomando las precauciones apropiadas indicadas abajo:

- Mantenga la electrosierra sujetada firmemente, con los pulgares y los dedos rodeando las empuñaduras de la motosierra, con ambas manos en la sierra y posicionando su cuerpo y brazos de forma que pueda resistir las fuerzas del retroceso brusco. El operario puede controlar las fuerzas del retroceso brusco tomando las precauciones apropiadas. No suelte la electrosierra.

► Fig.1

- No corte donde no llegue ni a una altura superior a la de sus hombros. Esto le ayudará a evitar que la punta toque algo sin querer y le permitirá controlar mejor la electrosierra en situaciones inesperadas.
 - Utilice solamente placas y cadenas de repuesto especificadas por el fabricante. Las placas y cadenas de repuesto incorrectas pueden ocasionar la rotura de la cadena y/o retrocesos bruscos.
 - Siga las instrucciones de afilado y mantenimiento del fabricante para la cadena de sierra. La disminución de la altura del calibre de profundidad puede ocasionar un aumento de los retrocesos bruscos.
13. **Antes de comenzar a trabajar, compruebe que la electrosierra está en perfecto estado de funcionamiento y que su condición cumple con los reglamentos de seguridad. Compruebe especialmente que:**
 - El freno de cadena está funcionando debidamente;
 - El freno de retención está funcionando debidamente;
 - La placa y la cubierta del piñón están colocadas correctamente;
 - La cadena ha sido afilada y tensada de acuerdo con los reglamentos.
 14. **No ponga en marcha la electrosierra con la cubierta de la cadena instalada en ella.** Si pone en marcha la electrosierra con la cubierta de la cadena instalada en ella, la cubierta de la cadena podrá salir despedida hacia adelante resultando en heridas personales y daños a objetos alrededor del operario.

Advertencias de seguridad específicas para la sierra de cadena con empuñadura superior

1. **Esta sierra de cadena ha sido diseñada especialmente para el cuidado y cirugía de árboles. La sierra de cadena ha sido prevista para ser utilizada solo por personas debidamente capacitadas. Observe todas las instrucciones, procedimientos y recomendaciones de la organización profesional pertinente. De lo contrario podrán ocurrir accidentes mortales. Se recomienda utilizar siempre una plataforma elevadora (recogedor de cerezas, elevador) para aserrar en árboles. Las técnicas de rāpel son extremadamente peligrosas y requieren capacitación especial. Los operarios se deberán capacitar para familiarizarse con la utilización de equipo de seguridad y técnicas de escalada. Utilice siempre las correas, cuerdas y mosquetones apropiados cuando trabaje en árboles. Utilice siempre equipo de sujeción para el operario y la sierra.**

2. **Realice la limpieza y el mantenimiento de acuerdo con el manual de instrucciones antes de almacenar.**
3. **Establezca un posicionamiento seguro de la sierra de cadena durante el transporte en vehículo para evitar fugas de combustible o aceite de cadena, daños a la herramienta y heridas personales.**
4. **Compruebe regularmente la funcionalidad del freno de cadena.**
5. **No rellene aceite de cadena cerca de un fuego. No fume nunca cuando rellene el aceite de cadena.**
6. **Puede que los reglamentos nacionales restrinjan el uso de la sierra de cadena.**
7. **Si el equipo sufre un impacto fuerte o se cae, compruebe la condición antes de continuar trabajando. Compruebe los controles y dispositivos de seguridad por si funcionan mal. Si hay cualquier daño o tiene dudas, pida a nuestro centro de servicio autorizado que hagan la inspección y reparación.**
8. **Active siempre el freno de cadena antes de poner en marcha la sierra de cadena.**
9. **Sujete firmemente la sierra en su sitio para evitar patinaje (movimiento de patinazo) o rebote de la sierra cuando comience un corte.**
10. **Al final del corte, tenga cuidado para mantener el equilibrio a causa de la “caída”.**
11. **Tenga en cuenta la dirección y velocidad del viento. Evite el serrín y el vaho del aceite de cadena.**

Equipo de protección

1. **Con objeto de evitar heridas en la cabeza, ojos, manos o pies así como para proteger sus oídos deberá utilizar el equipo de protección siguiente durante la operación de la sierra de cadena:**
 - El tipo de ropa deberá ser apropiado, es decir, deberá quedar ceñida pero que no cause estorbo. No se ponga joyas ni prendas que puedan enredarse con arbustos o matorrales. Si tiene pelo largo, ¡póngase siempre una redcilla para el pelo!
 - Es necesario ponerse un casco de protección siempre que se trabaje con la sierra de cadena. El **casco de protección** tiene que ser comprobado a intervalos regulares por si está dañado y tiene que ser sustituido después de 5 años a más tardar. Utilice solamente cascos de protección homologados.
 - La **pantalla facial** del casco de protección (o las gafas de protección) protegen contra el serrín y las virutas. Durante la operación de la sierra de cadena póngase siempre gafas de protección o pantalla facial para evitar heridas a los ojos.
 - Póngase **equipo de protección adecuado contra el ruido** (orejeras, tapones de oídos, etc.).
 - La **chaqueta de protección** consiste de 22 capas de nylon y protege al operario contra los cortes. Se deberá utilizar siempre cuando se trabaje desde plataformas elevadas (recogedores de cerezas, elevadores), desde plataformas montadas en escaleras o cuando se escale con cuerdas.

- El **pantalón de peto de protección** están hechos de un tejido de nylon con 22 capas y protegen contra los cortes. Se recomienda encarecidamente su utilización.
- Los **guantes de protección** hechos de cuero grueso son parte del equipo prescrito y se deberán utilizar siempre durante la operación de la sierra de cadena.
- Durante la operación de la sierra de cadena se deberán utilizar siempre **zapatos de seguridad** o **botas de seguridad** equipados con suela antideslizante, punteras de acero y protección para las piernas. Los zapatos de seguridad ofrecen protección contra cortes y garantizan un apoyo seguro de los pies. Para trabajar en árboles las botas de seguridad deberán ser apropiadas para técnicas de escalada.

Vibración

1. Las personas con mala circulación de la sangre que se expongan a vibración excesiva podrán sufrir heridas en los vasos sanguíneos o el sistema nervioso. La vibración puede ocasionar la aparición de los síntomas siguientes en los dedos, manos o muñecas: "Adormecimiento" (entumecimiento), hormigueo, dolor, sensación de pinchazos, alteración del color de la piel o alteración de la piel. **Si aparece cualquiera de estos síntomas, ¡consulte a un médico!** Para reducir el riesgo del "mal de dedos blancos", mantenga calientes las manos durante la operación y realice correctamente el mantenimiento del equipo y los accesorios.

GUARDE ESTAS INSTRUCCIONES.

⚠ADVERTENCIA: NO deje que la comodidad o familiaridad con el producto (a base de utilizarlo repetidamente) sustituya la estricta observancia de las normas de seguridad para el producto en cuestión. El MAL USO o el no seguir las normas de seguridad establecidas en este manual de instrucciones podrá ocasionar heridas personales graves.

Instrucciones de seguridad importantes para el cartucho de batería

1. Antes de utilizar el cartucho de batería, lea todas las instrucciones e indicaciones de precaución sobre (1) el cargador de baterías, (2) la batería, y (3) el producto con el que se utiliza la batería.
2. No desarme el cartucho de batería.
3. Si el tiempo de uso se acorta demasiado, cese la operación inmediatamente. Podría resultar en un riesgo de recalentamiento, posibles quemaduras e incluso una explosión.
4. Si entra electrolito en sus ojos, aclárelos con agua limpia y acuda a un médico inmediatamente. Existe el riesgo de poder perder la vista.
5. No cortocircuite el cartucho de batería:
 - (1) No toque los terminales con ningún material conductor.
 - (2) Evite guardar el cartucho de batería en un cajón junto con otros objetos metálicos, como clavos, monedas, etc.

- (3) No exponga el cartucho de batería al agua ni a la lluvia.

Un cortocircuito en la batería puede producir una gran circulación de corriente, un recalentamiento, posibles quemaduras e incluso una rotura de la misma.

6. No guarde la herramienta y el cartucho de batería en lugares donde la temperatura pueda alcanzar o exceder los 50 °C.
7. Nunca incinere el cartucho de batería incluso en el caso de que esté dañado seriamente o ya no sirva en absoluto. El cartucho de batería puede explotar si se tira al fuego.
8. Tenga cuidado de no dejar caer ni golpear el cartucho de batería.
9. No utilice una batería dañada.
10. Las baterías de litio-ion contenidas están sujetas a los requisitos de la Legislación para Materiales Peligrosos.

Para transportes comerciales, p.ej., por terceras personas y agentes de transportes, se deberán observar requisitos especiales para el empaquetado y etiquetado.

Para la preparación del artículo que se va a enviar, se requiere consultar con un experto en materiales peligrosos. Por favor, observe también la posibilidad de reglamentos nacionales más detallados.

Cubra con cinta aislante o enmascare los contactos expuestos y empaquete la batería de tal manera que no se pueda mover alrededor dentro del embalaje.

11. Siga los reglamentos locales referentes al desecho de la batería.
12. Utilice las baterías solamente con los productos especificados por Makita. La instalación de las baterías en productos no compatibles puede resultar en un incendio, calor excesivo, explosión, o fuga de electrolito.

GUARDE ESTAS INSTRUCCIONES.

⚠PRECAUCIÓN: Utilice solamente baterías genuinas de Makita. La utilización de baterías no genuinas de Makita, o baterías que han sido alteradas, puede resultar en una explosión de la batería ocasionando incendios, heridas personales y daños. También anulará la garantía de Makita para la herramienta y el cargador de Makita.

Consejos para alargar al máximo la vida de servicio de la batería

1. Cargue el cartucho de batería antes de que se descargue completamente. Detenga siempre la operación y cargue el cartucho de batería cuando note menos potencia en la herramienta.
2. No cargue nunca un cartucho de batería que esté completamente cargado. La sobrecarga acortará la vida de servicio de la batería.
3. Cargue el cartucho de batería a temperatura ambiente de 10 °C - 40 °C. Si un cartucho de batería está caliente, déjelo enfriar antes de cargarlo.
4. Cargue el cartucho de batería si no lo utiliza durante un periodo de tiempo prolongado (más de seis meses).

DESCRIPCIÓN DE LAS PARTES

► Fig.2

1	Gatillo interruptor	2	Empuñadura superior	3	Palanca de desbloqueo
4	Protector de la mano delantera	5	Placa de guía	6	Cadena de sierra
7	Cubrecadena	8	Tuerca de retención	9	Tornillo de ajuste de la cadena
10	Guía de virutas	11	Cartucho de batería	12	Lámpara de alimentación principal
13	Interruptor de alimentación principal	14	Tornillo de ajuste (para bomba de aceite)	15	Mosquetón
16	Empuñadura delantera	17	Tapón del depósito de aceite	18	Cubierta de la placa de guía

DESCRIPCIÓN DEL FUNCIONAMIENTO

⚠ PRECAUCIÓN: Asegúrese siempre de que la herramienta esté apagada y el cartucho de batería retirado antes de realizar cualquier ajuste o comprobación en la herramienta.

Instalación o extracción del cartucho de batería

⚠ PRECAUCIÓN: Apague siempre la herramienta antes de instalar o retirar el cartucho de batería.

⚠ PRECAUCIÓN: Sujete la herramienta y el cartucho de batería firmemente cuando instale o retire el cartucho de batería. Si no sujeta la herramienta y el cartucho de batería firmemente podrán caérsele de las manos y resultar en daños a la herramienta y al cartucho de batería y heridas personales.

► Fig.3: 1. Indicador rojo 2. Botón 3. Cartucho de batería

Para retirar el cartucho de batería, deslícelo de la herramienta mientras desliza el botón de la parte frontal del cartucho.

Para instalar el cartucho de batería, alinee la lengüeta del cartucho de batería con la ranura de la carcasa y deslícelo hasta que encaje en su sitio. Insértelo a tope hasta que se bloquee en su sitio produciendo un pequeño chasquido. Si puede ver el indicador rojo en el lado superior del botón, no estará bloqueado completamente.

⚠ PRECAUCIÓN: Instale siempre el cartucho de batería completamente hasta que no pueda verse el indicador rojo. En caso contrario, podrá caerse accidentalmente de la herramienta y ocasionarle heridas a usted o a alguien que esté cerca de usted.

⚠ PRECAUCIÓN: No instale el cartucho de batería empleando fuerza. Si el cartucho no se desliza al interior fácilmente, será porque no está siendo insertado correctamente.

Modo de indicar la capacidad de batería restante

Solamente para cartuchos de batería con el indicador

► Fig.4: 1. Lámparas indicadoras 2. Botón de comprobación

Presione el botón de comprobación en el cartucho de batería para indicar la capacidad de batería restante. Las lámparas indicadoras se iluminan durante unos pocos segundos.

Lámparas indicadoras			Capacidad restante
Iluminada	Apagada	Parpadeando	
■	□	▧	75% a 100%
■	■	■	
■	■	□	50% a 75%
■	□	□	25% a 50%
■	□	□	0% a 25%
▧	□	□	Cargue la batería.
■	■	□	Puede que la batería no esté funcionando bien.
□	□	■	

NOTA: Dependiendo de las condiciones de utilización y de la temperatura ambiente, la indicación podrá variar ligeramente de la capacidad real.

Sistema de protección de la herramienta / batería

La herramienta está equipada con un sistema de protección de la herramienta/batería. Este sistema corta automáticamente la alimentación al motor para alargar la vida de servicio de la herramienta y la batería. La herramienta se detendrá automáticamente durante la operación si la herramienta o la batería es puesta en una de las condiciones siguientes:

Protección contra sobrecarga

Cuando la batería sea utilizada de una manera que dé lugar a que tenga que absorber una corriente anormalmente alta, la herramienta se detendrá automáticamente y la lámpara de alimentación principal parpadeará en verde. En esta situación, apague la herramienta y detenga la tarea que ocasiona la sobrecarga de la herramienta. Después encienda la herramienta para volver a empezar.

Protección contra el recalentamiento

Cuando la herramienta o la batería se recalienta, la herramienta se detiene automáticamente y la lámpara de alimentación principal se ilumina en rojo. En este caso, deje que la herramienta y la batería se enfrien antes de encender la herramienta otra vez.

NOTA: En un entorno de alta temperatura, la protección contra recalentamiento probablemente se accione y la herramienta se detendrá automáticamente.

Protección contra descarga excesiva

Cuando la capacidad de batería no sea suficiente, la herramienta se detendrá automáticamente y lámpara de alimentación principal parpadeará en rojo. En este caso, retire la batería de la herramienta y cargue la batería.

Interruptor de alimentación principal

⚠ ADVERTENCIA: Desactive siempre el interruptor de alimentación principal cuando la herramienta no esté siendo utilizada.

Para encender la herramienta, presione el interruptor de alimentación principal hasta que la lámpara de alimentación principal se ilumine en verde. Para apagar, presione el interruptor de alimentación principal otra vez.

► **Fig. 5:** 1. Lámpara de alimentación principal
2. Interruptor de alimentación principal

NOTA: La lámpara de alimentación principal parpadeará en verde si se aprieta el gatillo interruptor en condiciones en las que la operación no es posible. La lámpara parpadea en una de las condiciones siguientes.

- Cuando activa el interruptor de alimentación principal mientras mantiene presionada la palanca de desbloqueo y el gatillo interruptor.
- Cuando aprieta el gatillo interruptor mientras está aplicado el freno de cadena.
- Cuando suelta el freno de cadena mientras mantiene presionada la palanca de desbloqueo y apretado el gatillo interruptor.

NOTA: Esta electrosierra emplea la función de desconexión automática de la alimentación. Para evitar una puesta en marcha involuntaria, el interruptor de alimentación principal se desconectará automáticamente cuando el gatillo interruptor no sea apretado durante un cierto periodo de tiempo después de haber activado el interruptor de alimentación principal.

Puede utilizar la herramienta en el modo Servopar para cortar ramas gruesas o ramas duras. Para utilizar la herramienta en el modo Servopar, cuando la herramienta esté apagada, presione el interruptor de alimentación principal durante unos pocos segundos hasta que la lámpara de alimentación principal se ilumine en amarillo.

NOTA: Puede utilizar la herramienta en el modo Servopar hasta 30 segundos. Dependiendo de las condiciones de utilización, este modo cambiará a modo normal en menos de 30 segundos.

NOTA: Si la lámpara de alimentación principal parpadea en amarillo cuando presiona el interruptor de alimentación principal durante unos pocos segundos, el modo Servopar no estará disponible. En este caso, siga los pasos de abajo.

- El modo Servopar no está disponible justo después de la operación de corte. Espere más de 10 segundos, y después presione el interruptor de alimentación principal otra vez.
- Si utiliza el modo Servopar varias veces, la utilización del modo Servopar se restringirá para proteger la batería. Si el modo Servopar no está disponible después de esperar más de 10 segundos, reemplace el cartucho de batería con uno cargado completamente, o recargue el cartucho de batería.

NOTA: Si la lámpara de alimentación principal se ilumina en rojo o parpadea en rojo o verde, consulte las instrucciones para el sistema de protección de la herramienta/batería.

NOTA: El modo Servopar no se puede utilizar cuando está instalado el cartucho de batería BL1815N, BL1820, o BL1820B.

Accionamiento del interruptor

⚠ ADVERTENCIA: Por su propia seguridad, esta herramienta está equipada con la palanca de desbloqueo que evita que la herramienta sea puesta en marcha involuntariamente. No utilice NUNCA la herramienta si se pone en marcha cuando usted simplemente aprieta el gatillo interruptor sin presionar la palanca de desbloqueo. Lleve la herramienta a nuestro centro de servicio autorizado para que le hagan las reparaciones apropiadas ANTES de seguir utilizándola.

⚠ ADVERTENCIA: NUNCA sujete con cinta adhesiva o anule el propósito o la función de la palanca de desbloqueo.

⚠ PRECAUCIÓN: Antes de insertar el cartucho de batería en la herramienta, compruebe siempre para cerciorarse de que el gatillo interruptor se acciona debidamente y que vuelve a la posición "OFF" cuando lo suelta.

AVISO: No apriete con fuerza el gatillo interruptor sin presionar la palanca de desbloqueo. Esto puede ocasionar la rotura del interruptor.

Para evitar que el gatillo interruptor pueda ser apretado accidentalmente, se ha provisto una palanca de desbloqueo. Para poner en marcha la herramienta, presione hacia dentro la palanca de desbloqueo y apriete el gatillo interruptor. La velocidad de la herramienta incrementa aumentando la presión en el gatillo interruptor. Suelte el gatillo interruptor para parar.

► **Fig. 6:** 1. Gatillo interruptor 2. Palanca de desbloqueo

Comprobación del freno de cadena

⚠️ PRECAUCIÓN: Sujete la sierra de cadena con ambas manos cuando la encienda. Sujete la empuñadura superior con su mano derecha, la empuñadura delantera con su mano izquierda. La placa y la cadena no deberán hacer contacto con ningún objeto.

⚠️ PRECAUCIÓN: Si la cadena de sierra no se detiene inmediatamente cuando realice esta prueba, la sierra no deberá ser utilizada bajo ninguna circunstancia. Consulte con nuestro centro de servicio autorizado.

1. Presione la palanca de desbloqueo, después apriete el gatillo interruptor. La cadena de sierra se pone en marcha inmediatamente.
 2. Empuje el protector de la mano delantera hacia delante con la parte trasera de su mano. Asegúrese de que la electrosierra se detiene inmediatamente.
- Fig.7: 1. Protector de la mano delantera 2. Posición desbloqueada 3. Posición bloqueada

Comprobación del freno de retención

⚠️ PRECAUCIÓN: Si la cadena de sierra no se detiene en dos segundos en esta prueba, deje de utilizar la sierra de cadena y consulte con nuestro centro de servicio autorizado.

Ponga en marcha la sierra de cadena y después suelte el gatillo interruptor completamente. La cadena de sierra deberá detenerse en dos segundos.

Ajuste de la lubricación de la cadena

Puede ajustar la frecuencia del suministro de la bomba de aceite con el tornillo de ajuste utilizando la llave universal. La cantidad de aceite se puede ajustar en 3 pasos.

- Fig.8: 1. Tornillo de ajuste

Mosquetón (punto de fijación de la cuerda)

Puede colgar la herramienta fijando la cuerda en el mosquetón. Levante el mosquetón, y después átelo con la cuerda.

Función electrónica

La herramienta está equipada con funciones electrónicas para facilitar su funcionamiento.

- Inicio suave
La función de inicio suave minimiza el impacto durante el arranque para que la herramienta se inicie sin sobresaltos.

MONTAJE

⚠️ PRECAUCIÓN: Asegúrese siempre de que la herramienta está apagada y el cartucho de batería retirado antes de realizar cualquier trabajo en la herramienta.

⚠️ PRECAUCIÓN: No toque la cadena de sierra con las manos desnudas. Póngase siempre guantes cuando maneje la cadena de sierra.

Desinstalación o instalación de la cadena de sierra

⚠️ PRECAUCIÓN: La cadena de sierra y la placa de guía estarán todavía calientes justo después de la operación. Déjelas enfriar suficientemente antes de llevar a cabo cualquier trabajo en la herramienta.

⚠️ PRECAUCIÓN: Realice el procedimiento de instalación o desmontaje de la cadena de sierra en un lugar limpio y libre de serrín y similares.

Para quitar la cadena de sierra, realice los pasos siguientes:

1. Libere el freno de cadena tirando del protector de la mano delantera.
 2. Afloje el tornillo de ajuste de la cadena, después la tuerca de retención.
- Fig.9: 1. Tornillo de ajuste de la cadena 2. Tuerca de retención
3. Retire la cubierta del piñón y después retire la cadena de sierra y la placa de guía del cuerpo de la electrosierra.

Para instalar la cadena de sierra, realice los pasos siguientes:

1. Compruebe la dirección de la cadena de sierra. Haga coincidir la dirección de la cadena de sierra con la de la marca en el cuerpo de la sierra de cadena.
2. Encaje un extremo de la cadena de sierra encima de la placa de guía.
3. Encaje el otro extremo de la cadena de sierra alrededor del piñón, después coloque la placa de guía en el cuerpo de la sierra de cadena, alineando el agujero en la placa de guía con el pasador en el cuerpo de la sierra de cadena.

- Fig.10: 1. Piñón 2. Agujero

4. Inserte el saliente de la cubierta del piñón en el cuerpo de la sierra de cadena, y después cierre la cubierta de modo que el perno y los pasadores del cuerpo de la sierra de cadena encajen en sus equivalentes de la cubierta.

- Fig.11: 1. Saliente 2. Cubierta del piñón 3. Perno 4. Pasador

5. Apriete la tuerca de retención para sujetar la cubierta del piñón, después aflójela un poco para el ajuste de tensión.

- Fig.12: 1. Tuerca de retención

Ajuste de la tensión de la cadena de sierra

⚠ PRECAUCIÓN: No apriete demasiado la cadena de sierra. Una tensión excesiva de la cadena de sierra puede ocasionar la rotura de la cadena de sierra, desgaste de la placa de guía y rotura del dial de ajuste.

⚠ PRECAUCIÓN: Una cadena muy floja puede saltar de la placa y causar un accidente con heridas.

La cadena de sierra se podrá aflojar después de muchas horas de utilización. De vez en cuando compruebe la tensión de la cadena de sierra antes de utilizarla.

1. Libere el freno de cadena tirando del protector de la mano delantera.

2. Afloje la tuerca de retención un poco para aflojar ligeramente la cubierta del piñón.

► **Fig.13:** 1. Tuerca de retención

3. Levante la punta de la placa de guía ligeramente y ajuste la tensión de la cadena. Gire el tornillo de ajuste de la cadena hacia la derecha para apretar, gírelo hacia la izquierda para aflojar.

Para hoja de las cadenas 90PX y 91PX:

Apriete la cadena de sierra hasta que el lado inferior de la cadena de sierra encaje en el riel de la placa de guía como se muestra en la figura.

► **Fig.14:** 1. Placa de guía 2. Cadena de sierra
3. Tornillo de ajuste de la cadena

Para hoja de la cadena 25AP:

Apriete la cadena de sierra de manera que la holgura entre el centro del lado inferior de la placa de guía y la cadena de sierra sea aproximadamente de 1 mm a 2 mm.

4. Siga sujetando la placa de guía ligeramente y apriete la cubierta del piñón.

Para hoja de las cadenas 90PX y 91PX:

Asegúrese de que la cadena de sierra no se afloja en el lado inferior.

Para hoja de la cadena 25AP:

Asegúrese de que la holgura entre el centro del lado inferior de la placa de guía y la cadena de sierra sea aproximadamente de 1 mm a 2 mm.

5. Apriete la tuerca de retención para sujetar la cubierta del piñón.

► **Fig.15:** 1. Tuerca de retención

Asegúrese de que la cadena de sierra encaja ajustadamente contra el lado inferior de la placa.

Parachoques de púas

Acesorio opcional

Cuando corte ramas gruesas, se recomienda utilizar el parachoques de púas. Para instalar el parachoques de púas, realice los pasos siguientes:

1. Retire la cubierta del piñón, cadena de sierra, y placa de guía.

2. Alinee los agujeros del parachoques de púas con los agujeros del cuerpo de la sierra de cadena, y después apriete los tornillos firmemente.

► **Fig.16:** 1. Tornillo 2. Parachoques de púas

OPERACIÓN

Lubricación

La cadena de sierra se lubrica automáticamente cuando la herramienta está funcionando. Compruebe la cantidad restante de aceite en el depósito de aceite periódicamente a través de la ventanilla de inspección del aceite. Para rellenar el depósito, apoye la electrosierra en su costado y retire el tapón del depósito de aceite. La cantidad apropiada de aceite es de 140 ml. Después de rellenar el depósito, asegúrese de que el tapón del depósito de aceite está apretado firmemente.

► **Fig.17:** 1. Tapón del depósito de aceite 2. Ventanilla de inspección del aceite

Después de rellenar, sujete la electrosierra alejada del árbol. Póngala en marcha y espere hasta que la lubricación de la cadena de sierra sea apropiada.

► **Fig.18**

AVISO: Cuando llene con aceite de cadena por primera vez, o rellene el depósito después de haber sido vaciado completamente, añada aceite hasta el borde inferior de la boca de llenado. De lo contrario el suministro de aceite se podrá obstaculizar.

AVISO: Utilice el aceite de cadena de sierra exclusivamente para electrosierras Makita o aceite equivalente disponible en el comercio.

AVISO: No utilice nunca aceite que contenga polvo y partículas o aceite volátil.

AVISO: Cuando pade árboles, utilice aceite botánico. El aceite mineral puede dañar los árboles.

AVISO: Antes de realizar la operación de corte, asegúrese de que el tapón del depósito de aceite suministrado está roscado en su sitio.

TRABAJO CON LA ELECTROSIERRA

⚠ PRECAUCIÓN: El que utilice por primera vez la herramienta deberá, como práctica mínima, realizar corte de troncos sobre un caballete de aserrar o un soporte.

⚠ PRECAUCIÓN: Cuando sierra madera ya cortada, utilice un apoyo seguro (caballete de aserrar o soporte). No establezca la pieza de trabajo con el pie, y no permita que nadie más la sujete o la estabilice.

⚠ PRECAUCIÓN: Sujete las piezas redondas para que no giren.

⚠ PRECAUCIÓN: Mantenga todas las partes del cuerpo alejadas de la cadena de sierra cuando el motor esté en marcha.

⚠ PRECAUCIÓN: Sujete la electrosierra firmemente con ambas manos cuando el motor esté en marcha.

⚠ PRECAUCIÓN: No trabaje donde no alcance. Mantenga los pies sobre suelo firme y el equilibrio en todo momento.

AVISO: Nunca arroje o deje caer la herramienta.

AVISO: No cubra las aberturas de ventilación de la herramienta.

Poda de árboles

Ponga el cuerpo de la sierra de cadena en contacto con la rama que va a cortar antes de encender. De lo contrario podrá ocasionar que la placa de guía bambolee, resultando en heridas al operario. Sierra la madera que quiere cortar simplemente moviéndola hacia abajo utilizando el peso de la sierra de cadena.

► Fig.19

Si no puede cortar de una sola pasada un trozo de madera:

Aplique una ligera presión sobre la empuñadura, continúe aserrando y desplace la sierra de cadena un poco hacia atrás.

► Fig.20

Cuando corte ramas gruesas, primero haga un corte poco profundo por debajo y después haga el corte final desde la parte superior.

► Fig.21

Si intenta cortar ramas gruesas desde la parte inferior, la rama podrá cerrarse y pinzar la cadena de sierra dentro del corte. Si intenta cortar ramas gruesas desde la parte superior sin un corte poco profundo por debajo, la rama se podrá astillar.

► Fig.22

Tronzado

1. Apoye el cuerpo de la sierra de cadena sobre la madera que va a cortar.

► Fig.23

2. Con la cadena de sierra girando, sierra la madera mientras utiliza la empuñadura superior para levantar la sierra y la delantera para guiarla.

3. Continúe el corte aplicando una ligera presión a la empuñadura superior, aliviando ligeramente la parte trasera de la sierra.

AVISO: Cuando haga varios cortes, apague la electrosierra entre un corte y otro.

PRECAUCIÓN: Si utiliza el borde superior de la placa para cortar, la electrosierra podrá desviarse hacia usted si la cadena se atranca. Por esta razón, corte con el borde inferior, de forma que la sierra se desvíe en dirección contraria a su cuerpo.

► Fig.24

Cuando corte una madera que esté bajo tensión, corte primero el lado que está sometido a presión (A). Después haga el corte final desde el lado en tensión (B). De esta forma evitará que la placa quede atrapada.

► Fig.25

Corte de ramas

PRECAUCIÓN: El corte de las ramas deberá ser realizado solamente por personas capacitadas. Existe un riesgo de que se produzca un retroceso brusco.

Cuando corte ramas, apoye la electrosierra en el tronco si es posible. No corte con la punta de la placa, porque corre el riesgo de que se produzca un retroceso brusco. Preste especial atención a las ramas que estén bajo tensión. No corte desde abajo ramas que no estén apoyadas.

No se suba encima del tronco talado cuando corte ramas.

Transporte de la herramienta

Antes de transportar la herramienta, aplique siempre el freno de cadena y retire los cartuchos de batería de la herramienta. Después coloque la cubierta de la placa de guía. Cubra también el cartucho de batería con la cubierta de la batería.

► Fig.26: 1. Cubierta de la placa de guía 2. Cubierta de la batería

MANTENIMIENTO

PRECAUCIÓN: Asegúrese siempre de que la herramienta está apagada y de que el cartucho de batería está retirado antes de intentar hacer una inspección o mantenimiento.

PRECAUCIÓN: Póngase guantes siempre que vaya a realizar cualquier trabajo de inspección o mantenimiento.

AVISO: No utilice nunca gasolina, bencina, disolvente, alcohol o similares. Podría producir descoloración, deformación o grietas.

Para mantener la SEGURIDAD y FIABILIDAD del producto, las reparaciones, y cualquier otra tarea de mantenimiento o ajuste deberán ser realizadas en centros de servicio o de fábrica autorizados por Makita, empleando siempre repuestos Makita.

Afilado de la cadena de sierra

Afile la cadena de sierra cuando:

- Se produzca serrín granuloso al cortar madera húmeda;
- La cadena penetre la madera con dificultad, aun cuando se aplica fuerte presión;
- El borde cortante esté evidentemente dañado;
- La sierra tire hacia la izquierda o hacia la derecha en la madera. (causado por un afilado desigual de la cadena de sierra o daño en un solo lado)

Afile la cadena de sierra con frecuencia pero un poco cada vez. Dos o tres pasadas con una lima son generalmente suficientes para un nuevo afilado rutinario. Cuando la cadena de sierra haya sido nuevamente afilada varias veces, haga que se la afilen nuevamente en nuestro centro de servicio autorizado.

Crterios para afilar:

⚠ADVERTENCIA: Una distancia excesiva entre el borde cortante y el calibre de profundidad aumentará el riesgo de un retroceso brusco.

► **Fig.27:** 1. Longitud de la cuchilla 2. Distancia entre el borde cortante y el calibre de profundidad 3. Longitud mínima de la cuchilla (3 mm)

- La longitud de todas las cuchillas debe ser igual. Las longitudes de cuchilla diferentes evitan que la cadena de sierra gire suavemente y pueden ocasionar que la cadena de sierra se rompa.
- No afile la cadena cuando la longitud de la cuchilla haya quedado en 3 mm o más corta. La cadena debe ser reemplazada con una nueva.
- El espesor de la viruta se determina mediante la distancia entre el calibre de profundidad (morro redondeado) y el borde cortante.
- Los mejores resultados de corte se obtienen con la distancia siguiente entre el borde cortante y el calibre de profundidad.
 - Hoja de la cadena 90PX: 0,65 mm
 - Hoja de la cadena 91PX: 0,65 mm
 - Hoja de la cadena 25AP: 0,65 mm

► **Fig.28**

- El ángulo de afilado de 30° deberá ser igual en todas las cuchillas. Los ángulos diferentes de las cuchillas ocasionan que la cadena se desplace brusca y desigualmente, aceleran el desgaste, y acarrear roturas de cadena.
- Utilice una lima redonda apropiada de forma que se mantenga el ángulo de afilado apropiado contra los dientes.
 - Hoja de la cadena 90PX: 55°
 - Hoja de la cadena 91PX: 55°
 - Hoja de la cadena 25AP: 55°

Lima y guía de limado

- Utilice una lima redonda especial (accesorio opcional) para cadenas de sierra para afilar la cadena. Las limas redondas normales no son apropiadas.
- El diámetro de la lima redonda para cada cadena de sierra es como sigue:
 - Hoja de la cadena 90PX: 4,5 mm
 - Hoja de la cadena 91PX: 4,0 mm
 - Hoja de la cadena 25AP: 4,0 mm
- La lima solamente deberá tocar la cuchilla en el movimiento de avance. Levante la lima de la cuchilla en el movimiento de retroceso.
- Afile primero la cuchilla más corta. Después la longitud de esta cuchilla más corta pasa a ser la longitud estándar para todas las cuchillas de la cadena de sierra.
- Guíe la lima como se muestra en la figura.

► **Fig.29:** 1. Lima 2. Cadena de sierra

- La lima podrá ser guiada más fácilmente si se emplea un soporte de lima (accesorio opcional). El soporte de lima tiene marcas para el ángulo de afilado correcto de 30° (alinee las marcas paralelas a la cadena de sierra) y limita la profundidad de penetración (a 4/5 del diámetro de la lima).

► **Fig.30:** 1. Soporte de lima

- Después de afilar la cadena, compruebe la altura del calibre de profundidad utilizando la herramienta de calibración de cadena (accesorio opcional).

► **Fig.31**

- Quite cualquier material que sobresalga, por pequeño que sea, con una lima plana especial (accesorio opcional).
- Redondee la parte frontal del calibre de profundidad otra vez.

Limpieza de la placa de guía

En la acanaladura de la placa de guía se acumularán virutas y serrín. Estos podrán atascar la acanaladura de la placa y obstaculizar el flujo de aceite. Limpie las virutas y el serrín cada vez cuando afile o reemplace la cadena de sierra.

► **Fig.32**

Limpieza de la cubierta del piñón

Dentro de la cubierta del piñón se acumularán virutas y serrín. Retire la cubierta del piñón y la cadena de sierra de la herramienta y después limpie las virutas y el serrín.

► **Fig.33**

Limpieza del agujero de vaciado de aceite

Durante la operación se pueden acumular polvo fino o partículas en el agujero de vaciado de aceite. Este polvo o partículas pueden obstaculizar el flujo de aceite y ocasionar una lubricación insuficiente en toda la cadena de sierra. Cuando se produzca un deficiente suministro de aceite de cadena en la parte superior de la placa de guía, limpie el agujero de vaciado de aceite de la forma siguiente.

1. Quite la cubierta del piñón y la cadena de sierra de la herramienta.

2. Retire el polvo fino o las partículas utilizando un destornillador de punta plana con eje espigado o similar.

► **Fig.34:** 1. Destornillador de punta plana 2. Agujero de vaciado de aceite

3. Inserte el cartucho de batería en la herramienta. Apriete el gatillo interruptor para que el polvo o las partículas acumulados fluya del agujero de vaciado de aceite vaciando aceite de cadena.

4. Retire el cartucho de batería de la herramienta. Vuelva a instalar la cubierta del piñón y la cadena de sierra en la herramienta.

Reemplazo del piñón

⚠PRECAUCIÓN: Un piñón desgastado dañará una cadena de sierra nueva. En este caso pida que le reemplacen el piñón.

Antes de colocar una cadena de sierra nueva, compruebe la condición del piñón.

► **Fig.35:** 1. Piñón 2. Áreas que se van a desgastar

Coloque siempre un anillo de bloqueo nuevo cuando reemplace el piñón.

► **Fig.36:** 1. Anillo de bloqueo 2. Piñón

AVISO: Asegúrese de que el piñón está instalado como se muestra en la figura.

Almacenamiento de la herramienta

1. Limpie la herramienta antes de almacenarla. Quite todas las virutas y serrín de la herramienta después de retirar la cubierta del piñón.
2. Después de limpiar la herramienta, póngala en marcha sin carga para lubricar la cadena de sierra y la placa de guía.
3. Cubra la placa de guía con la cubierta de la placa de guía.
4. Vacíe el depósito de aceite.

Instrucciones para el mantenimiento periódico

Para asegurar una larga vida de servicio, evitar daños y garantizar el completo funcionamiento de las características de seguridad, el mantenimiento siguiente deberá ser realizado regularmente. La reclamación de la garantía solamente será reconocida si este trabajo es realizado regular y debidamente. ¡No realizar el trabajo de mantenimiento prescrito puede acarrear accidentes! El usuario de la electrosierra no deberá realizar trabajo de mantenimiento que no esté descrito en el manual de instrucciones. Todos esos trabajos deberán ser realizados por nuestro centro de servicio autorizado.

Elemento a comprobar / Tiempo de operación		Antes de la operación	Cada día	Cada semana	Cada 3 meses	Anualmente	Antes del almacenamiento
Electrosierra	Inspección	✓	-	-	-	-	-
	Limpieza	-	✓	-	-	-	-
	Compruebe en el centro de servicio autorizado.	-	-	-	-	✓	✓
Cadena de sierra	Inspección	✓	-	-	-	-	-
	Afilarse si es necesario.	-	-	-	-	-	✓
Placa de guía	Inspección	✓	✓	-	-	-	-
	Quítela de la electrosierra.	-	-	-	-	-	✓
Freno de cadena	Compruebe su función.	✓	-	-	-	-	-
	Pída que se lo inspeccionen regularmente en el centro de servicio autorizado.	-	-	-	✓	-	-
Lubricación de la cadena	Compruebe la frecuencia del suministro de aceite.	✓	-	-	-	-	-
Gatillo interruptor	Inspección	✓	-	-	-	-	-
Palanca de desbloqueo	Inspección	✓	-	-	-	-	-
Tapón del depósito de aceite	Compruebe el apriete.	✓	-	-	-	-	-
Cubrecadena	Inspección	-	-	✓	-	-	-
Tornillos y tuercas	Inspección	-	-	✓	-	-	-

SOLUCIÓN DE PROBLEMAS

Antes de solicitar reparaciones, realice su propia inspección en primer lugar. Si encuentra un problema que no está explicado en el manual, no intente desmontar la herramienta. En su lugar, pregunte en los centros de servicio autorizados Makita, utilizando siempre piezas de recambio Makita para las reparaciones.

Estado de mal funcionamiento	Causa	Acción
La electrosierra no se pone en marcha.	El cartucho de batería no está instalado.	Instale un cartucho de batería cargado.
	Problema de batería (poca tensión).	Recargue los cartuchos de batería. Si la recarga no se realiza efectivamente, reemplace el cartucho de batería.
	El interruptor de alimentación principal está desactivado.	La electrosierra se apaga automáticamente si se deja sin operar durante un cierto periodo de tiempo. Active el interruptor de alimentación principal otra vez.
La cadena de sierra no gira.	El freno de cadena está accionado.	Suelte el freno de cadena.
El motor se para después de usarlo un poco.	El nivel de carga de la batería es bajo.	Recargue los cartuchos de batería. Si la recarga no se realiza efectivamente, reemplace el cartucho de batería.
No hay aceite en la cadena.	El depósito de aceite está vacío.	Llene el depósito de aceite.
	La ranura de guía del aceite está sucia.	Limpie la ranura.
	Poco suministro de aceite.	Ajuste la cantidad de suministro de aceite con el tornillo de ajuste.
La electrosierra no alcanza el máximo de RPM.	El cartucho de batería está instalado incorrectamente.	Instale los cartuchos de batería como se describe en este manual.
	La potencia de la batería está cayendo.	Recargue el cartucho de batería. Si la recarga no se realiza efectivamente, reemplace el cartucho de batería.
	El sistema de accionamiento no responde correctamente.	Pida al centro de servicio autorizado en su región que le hagan la reparación.
La lámpara de alimentación principal está parpadeando en verde.	El gatillo interruptor ha sido apretado en una condición no operable.	Apriete el gatillo interruptor después de activar el interruptor de alimentación principal y de soltar el freno de cadena.
La cadena no se detiene aunque el freno de cadena está accionado: ¡Detenga la máquina inmediatamente!	La banda de freno está desgastada.	Pida al centro de servicio autorizado en su región que le hagan la reparación.
Vibración anormal: ¡Detenga la máquina inmediatamente!	Placa de guía o cadena de sierra floja.	Ajuste la placa de guía y la tensión de la cadena de sierra.
	Mal funcionamiento de la herramienta.	Pida al centro de servicio autorizado en su región que le hagan la reparación.
El modo Servopar no está disponible después de reemplazar el cartucho de batería con uno cargado completamente.	Dependiendo de las condiciones de utilización, el modo Servopar no estará disponible después de reemplazar el cartucho de batería.	Utilice la herramienta en el modo normal hasta que el cartucho de batería instalado se agote, y después reemplace el cartucho de batería con uno cargado completamente, o recargue el cartucho de batería.

ACCESORIOS OPCIONALES

⚠PRECAUCIÓN: Estos accesorios o aditamentos están recomendados para su uso con la herramienta Makita especificada en este manual. El uso de cualquier otro accesorio o aditamento puede suponer un riesgo de heridas personales. Utilice el accesorio o aditamento solamente con la finalidad indicada para el mismo.

Si necesita cualquier ayuda para más detalles en relación con estos accesorios, pregunte al centro de servicio Makita local.

- Cadena de sierra
- Placa de guía
- Cubierta de la placa de guía

- Piñón
- Parachoques de púas
- Lima
- Bolsa de herramientas
- Batería y cargador genuinos de Makita

⚠ADVERTENCIA: Si compra una placa de guía de una longitud diferente de la de la placa de guía estándar, compre también junto con ella una cubierta de la placa de guía apropiada. Esta deberá encajar y cubrir completamente la placa de guía de la electrosierra.

NOTA: Algunos elementos de la lista podrán estar incluidos en el paquete de la herramienta como accesorios estándar. Pueden variar de un país a otro.

ESPECIFICAÇÕES

Modelo:		DUC204	DUC254	DUC254C
Comprimento total (sem barra de guia)		256 mm		
Tensão nominal		CC 18 V		
Peso líquido		2,8 - 3,3 kg		
Comprimento da barra de guia padrão		200 mm	250 mm	
Comprimento da barra de guia recomendado	com 90PX	200 - 250 mm		-
	com 91PX	-	250 mm	-
	com 25AP	-		250 mm
Tipo de corrente de serra aplicável (consulte a tabela seguinte)		90PX	90PX 91PX	25AP
Roda de corrente padrão	Número de dentes	6		9
	Passo	3/8"		1/4"
Velocidade da corrente		0 - 24 m/s (0 - 1.440 m/min)		0 - 22,5 m/s (0 - 1.350 m/min)
Volume do depósito de óleo da corrente		140 cm ³		

- Devido a um programa contínuo de pesquisa e desenvolvimento, estas especificações estão sujeitas a alteração sem aviso prévio.
- As especificações podem diferir de país para país.
- O peso poderá diferir em função do acessório(s), incluindo a bateria. A combinação mais leve e mais pesada, de acordo com o Procedimento EPTA 01/2014, é apresentada na tabela.

Bateria aplicável

BL1815N / BL1820 / BL1820B / BL1830 / BL1830B / BL1840 / BL1840B / BL1850 / BL1850B / BL1860B

- Algumas das baterias listadas acima poderão não estar disponíveis, dependendo da sua região de residência.

⚠AVISO: Utilize apenas as baterias listadas acima. A utilização de quaisquer outras baterias pode causar ferimentos e/ou um incêndio.

Combinação de corrente de serra, barra de guia e roda de corrente

Tipo de corrente de serra		90PX	
Número de elos de ligação		33	40
Barra de guia	Comprimento da barra de guia	200 mm	250 mm
	Comprimento de corte	180 mm	244 mm
	Passo	3/8"	
	Calibre	1,1 mm	
	Tipo	Barra do nariz da roda de corrente	
Roda de corrente	Número de dentes	6	
	Passo	3/8"	

Tipo de corrente de serra		91PX	
Número de elos de ligação		40	
Barra de guia	Comprimento da barra de guia	250 mm	
	Comprimento de corte	244 mm	
	Passo	3/8"	
	Calibre	1,3 mm	
	Tipo	Barra do nariz da roda de corrente	
Roda de corrente	Número de dentes	6	
	Passo	3/8"	

Tipo de corrente de serra		25AP
Número de elos de ligação		60
Barra de guia	Comprimento da barra de guia	250 mm
	Comprimento de corte	250 mm
	Passo	1/4"
	Calibre	1,3 mm
	Tipo	Espada de talhar
Roda de corrente	Número de dentes	9
	Passo	1/4"

OBSERVAÇÃO: Quando utilizar a corrente de serra 25AP, utilize-a com a Roda de corrente 9 (acessório opcional).

AVISO: Utilize a combinação adequada da barra de guia e da corrente de serra. Caso contrário, pode resultar em ferimentos pessoais.

Símbolos

A seguir são apresentados os símbolos utilizados para o equipamento. Certifique-se de que compreende o seu significado antes de utilizar o equipamento.



Leia o manual de instruções.



Use óculos de segurança.



Utilize protetores para os ouvidos.



Use capacetes, óculos de proteção e proteção auricular.



Utilize protetores adequados para os pés e pernas e também para as mãos e braços.



Esta serra deve ser utilizada exclusivamente por operadores qualificados.



Não exponha à humidade.



Comprimento máximo de corte admissível



Utilize sempre as duas mãos quando utilizar a serra de corrente.



Sentido de movimento da corrente



Regulação da lubrificação da corrente de serra



Ni-MH
Li-ion

Apenas para países da UE
Não elimine equipamentos elétricos ou baterias juntamente com o material residual doméstico! Em cumprimento com as Diretivas Europeias relativas aos resíduos de equipamentos elétricos e eletrónicos e pilhas e acumuladores e baterias e acumuladores e resíduos de pilhas e acumuladores e a sua implementação de acordo com as leis nacionais, o equipamento elétrico e as baterias e pacote(s) de bateria(s) que atingiram o fim de vida têm de ser recolhidos separadamente e devolvidos a instalações de reciclagem compatíveis a nível ambiental.

Utilização a que se destina

A ferramenta destina-se a cortar ramos e a podar árvores. Também é adequada para manutenção de árvores.

Ruído

A característica do nível de ruído A determinado de acordo com a IEC62841-4-1:

Modelo DUC204

Nível de pressão acústica (L_{pA}): 92,2 dB (A)

Nível de potência acústica (L_{WA}): 103,2 dB (A)

Variabilidade (K): 2,5 dB (A)

Modelo DUC254

Nível de pressão acústica (L_{pA}): 92,2 dB (A)

Nível de potência acústica (L_{WA}): 103,2 dB (A)

Variabilidade (K): 2,5 dB (A)

Modelo DUC254C

Nível de pressão acústica (L_{pA}): 92,2 dB (A)

Nível de potência acústica (L_{WA}): 103,2 dB (A)

Variabilidade (K): 2,5dB (A)

AVISO: Utilize protetores auriculares.

Vibração

Valor total da vibração (soma vetorial tri-axial) determinado de acordo com a IEC62841-4-1:

Modelo DUC204

Modo de trabalho: cortar madeira

Emissão de vibração ($a_{h,W}$): 3,1 m/s²

Variabilidade (K): 1,5 m/s²

Modelo DUC254

Modo de trabalho: cortar madeira

Emissão de vibração ($a_{h,W}$): 3,1 m/s²

Variabilidade (K): 1,5 m/s²

Modelo DUC254C

Modo de trabalho: cortar madeira

Emissão de vibração ($a_{h,w}$): 4,1 m/s²

Variabilidade (K): 1,5 m/s²

NOTA: O valor da emissão de vibração indicado foi medido de acordo com o método de teste padrão e pode ser utilizado para comparar duas ferramentas.

NOTA: O valor da emissão de vibração indicado pode também ser utilizado na avaliação preliminar da exposição.

AVISO: A emissão de vibração durante a utilização real da ferramenta elétrica pode diferir do valor de emissão indicado, dependendo das formas como a ferramenta é utilizada.

AVISO: Certifique-se de identificar as medidas de segurança para proteção do operador que sejam baseadas em uma estimativa de exposição em condições reais de utilização (considerando todas as partes do ciclo de operação, tal como quando a ferramenta está desligada e quando está a funcionar em marcha lenta além do tempo de acionamento).

Declaração de conformidade da CE

Apenas para os países europeus

A declaração de conformidade da CE está incluída como Anexo A neste manual de instruções.

AVISOS DE SEGURANÇA

Avisos gerais de segurança para ferramentas elétricas

AVISO: Leia todos os avisos de segurança, instruções, ilustrações e especificações fornecidos com esta ferramenta elétrica. O não cumprimento de todas as instruções indicadas em baixo pode resultar em choque elétrico, incêndio e/ou ferimentos graves.

Guarde todos os avisos e instruções para futuras referências.

O termo "ferramenta elétrica" nos avisos refere-se às ferramentas elétricas ligadas à corrente elétrica (com cabo) ou às ferramentas elétricas operadas por meio de bateria (sem cabo).

Avisos de segurança para a motosserra a bateria

1. **Mantenha todo o seu corpo afastado da corrente de serra quando a serra de corrente estiver a funcionar. Antes de ligar a serra de corrente, certifique-se de que a corrente de serra não está em contacto com nada.** Um momento de distração ao operar as serras de corrente pode prender as roupas ou o corpo na corrente de serra.
2. **Segure na serra de corrente sempre com a mão direita na pega superior e a mão esquerda na pega frontal.** Segurar a serra de corrente com as mãos ao contrário da configuração aumenta o risco de ferimentos pessoais e não deve nunca ser feito.

3. **Segure a ferramenta elétrica somente pelas pegadas isoladas, pois a corrente de serra pode fazer contacto com fios ocultos.** O contacto das correntes de serra com um fio "ligado" poderá carregar as partes metálicas da ferramenta e causar choque elétrico no operador.
4. **Use óculos de proteção e protetores para os ouvidos.** É recomendável a utilização de protetores para a cabeça, mãos, pernas e pés. O vestuário de proteção adequado reduz o risco de ferimentos causados por detritos que saltam ou contacto accidental com a corrente de serra.
5. **Mantenha os pés sempre bem assentos no chão.**
6. **Ao cortar um ramo que esteja com alguma tensão, tenha cuidado com a volta do ramo para trás.** Quando a tensão nas fibras de madeira é libertada, o membro carregado por mola pode acertar no operador e/ou deixar a serra de corrente fora de controlo.
7. **Tenha muito cuidado especialmente quando está a cortar arbustos e brotos.** O material fino pode ficar preso na corrente de serra e ser atirado contra o operador ou causar a perda de equilíbrio.
8. **Transporte a serra de corrente desligada segurando-a pela pega frontal e afastada de si. Ao transportar ou guardar a serra de corrente, coloque sempre a cobertura da barra de guia.** O manuseio adequado da serra de corrente reduz o risco de contacto accidental com a corrente de serra em movimento.
9. **Siga as instruções para lubrificação, aperto da corrente e troca de acessórios.** Uma corrente mal lubrificada ou cuja tensão não esteja devidamente regulada pode quebrar ou aumentar a probabilidade de recuo.
10. **Mantenha as pegadas secas, limpas e sem óleo ou graxa.** Pegadas oleosas são escorregadias e causam a perda de controlo.
11. **Corte somente madeira. Não utilize a serra de corrente para finalidades diferentes.** Por exemplo: não utilize a serra de corrente para cortar plástico, alvenaria ou materiais de construção que não sejam madeira. O uso da serra de corrente para operações diferentes daquelas para as quais ela foi concebida pode resultar em situações perigosas.
12. **Causas de recuo e como o operador as pode prevenir:**
O recuo pode ocorrer quando a ponteira ou a ponta da barra de guia faz contacto com um objeto ou quando a madeira comprime e prende a corrente de serra no corte. Em alguns casos, o contacto da ponta causa uma reação inversa repentina, propulsionando a barra de guia para cima e para trás na direção do operador. Se a corrente de serra ficar presa ao longo do topo da barra de guia, barra de guia pode pular de repente para trás na direção do operador. Qualquer uma destas reações pode causar a perda de controlo da serra e provocar graves ferimentos pessoais. Não confie exclusivamente nos mecanismos de segurança incorporados na serra. Como um utilizador da serra de corrente, deverá tomar as medidas necessárias para que o seu trabalho de cortar seja seguro e livre de acidentes ou ferimentos. O recuo é o resultado de uso impróprio da serra e/ou condições ou procedimentos incorretos para o funcionamento e pode ser evitado tomando-se as medidas de precaução relacionadas abaixo:

- Segure a serra de corrente com firmeza, com todos os dedos a circundar as pegas e as duas mãos na serra de corrente e posicione-se de forma que o seu corpo e braço permitam resistir às forças de um recuo. O operador poderá controlar as forças do recuo se tomar as devidas precauções. Não largue a serra de corrente.

► **Fig.1**

- Não se incline e não corte nada acima da altura dos próprios ombros. Isso ajuda a evitar o contacto accidental da ponta e possibilita maior controlo da serra de corrente em situações imprevistas.
 - Utilize somente barras e correntes de reposição especificadas pelo fabricante. A substituição de barras e correntes incorretas pode causar a quebra da corrente e/ou recuo.
 - Siga as instruções do fabricante para afiamento e manutenção da corrente de serra. A diminuição da altura do limitador de profundidade pode provocar o aumento de recuos.
13. **Antes de iniciar o trabalho, verifique se a serra de corrente está em boas condições de funcionamento e em conformidade com os regulamentos de segurança. Verifique especialmente se:**
- O travão da corrente está a funcionar corretamente;
 - O travão de inatividade está a funcionar corretamente;
 - A barra e a cobertura da roda de corrente estão corretamente instaladas;
 - A corrente foi afiada e apertada de acordo com os regulamentos.
14. **Não ligue a serra de corrente se a cobertura da corrente estiver instalada.** Se ligar a serra de corrente com a cobertura da corrente instalada, a cobertura da corrente pode ser lançada para a frente e provocar ferimentos pessoais e danos a objetos nas proximidades do operador.

Avisos de segurança específicos para a serra de corrente com pega superior

1. **Esta serra de corrente foi desenvolvida especialmente para manutenção e corte de árvores. Esta serra de corrente destina-se a utilização exclusiva por operadores devidamente qualificados. Cumpra todas as instruções, procedimentos e recomendações da organização profissional relevante. Caso contrário, podem ocorrer acidentes fatais. Recomendamos que utilize sempre uma plataforma elevatória (guindaste, elevador) para cortar árvores. As técnicas de rapel são extremamente perigosas e requerem formação especial. Os operadores devem obter formação para se tornarem familiarizados com a utilização do equipamento de segurança e com as técnicas de escalada. Utilize sempre as cintas, cordas e os mosquetões apropriados quando trabalhar em árvores. Utilize sempre equipamento de fixação quer para o operador quer para a serra.**

2. **Realize a limpeza e a manutenção antes de guardar a ferramenta de acordo com o manual de instruções.**
3. **Assegure o posicionamento seguro da serra de corrente durante o transporte no carro, de modo a evitar fugas de combustível ou de óleo da corrente, danos na ferramenta e lesões físicas.**
4. **Verifique regularmente a funcionalidade do travão da corrente.**
5. **Não abasteça óleo da corrente perto de fogo. Nunca fume quando abastecer o óleo da corrente.**
6. **As normas nacionais podem limitar a utilização da serra de corrente.**
7. **Se o equipamento sofrer impacto pesado ou queda, verifique o seu estado antes de continuar a trabalhar. Verifique se os controlos e os dispositivos de segurança estão a funcionar corretamente. Se detetar danos ou suspeitar da existência destes, solicite a respetiva inspeção e a reparação ao nosso centro de assistência autorizado.**
8. **Ative sempre o travão da corrente antes de efetuar o arranque da serra de corrente.**
9. **Segure na serra firmemente na posição correta para evitar patinagem (movimento deslizante) ou ressalto da serra quando iniciar um corte.**
10. **No final do corte, tenha cuidado para manter o seu equilíbrio devido à “queda”.**
11. **Tenha em consideração a direção e a velocidade do vento. Evite serragem e névoa do óleo da corrente.**

Equipamento de proteção

1. **Para evitar lesões na cabeça, olhos, mãos ou pés, e para proteger a sua audição, deve utilizar o seguinte equipamento de proteção durante o funcionamento da serra de corrente:**
 - O tipo de vestuário deve ser apropriado, isto é, deve ser justo ao corpo mas não um impedimento. Não use jóias ou vestuário que possam ficar presos nos arbustos. Se tiver cabelo comprido, use sempre uma rede para o cabelo!
 - É necessário usar um capacete protetor sempre que estiver a trabalhar com a serra de corrente. O **capacete protetor** deve ser verificado em intervalos regulares quanto a danos e deve ser substituído após 5 anos, no mínimo. Utilize apenas capacetes protetores aprovados.
 - A **proteção facial** do capacete protetor (ou os óculos de proteção) protege contra serragem e aparas de madeira. Durante o funcionamento da serra de corrente, use sempre óculos de proteção ou uma proteção facial para prevenir lesões oculares.
 - Use **equipamento de proteção auditiva** adequado (protetores auriculares, tampões de ouvidos, etc.)
 - O **casaco de proteção** consiste em 22 camadas de nylon e protege o operador contra cortes. Deve ser sempre usado quando estiver a trabalhar em plataformas elevadas (guindastes, elevadores), em plataformas montadas em escadas ou quando efetuar escaladas com cordas.

- As **jardineiras protetoras** são fabricadas em tecido de nylon com 22 camadas e prote-ge contra cortes. Recomendamos vee-mente a sua utilização.
- As **luvas de proteção** fabricadas em pele espessa fazem parte do equipamento pres-crito e devem ser sempre usadas durante o funcionamento da serra de corrente.
- Durante o funcionamento da serra de corrente, deve utilizar **calçado de segurança** ou **botas de segurança** equipados com sola antiderra-pante, biqueiras de aço e proteção das per-nas. O calçado de segurança equipado com uma camada protetora proporciona proteção contra cortes e assegura um posicionamento seguro no chão. Para trabalhar nas árvores, as botas de segurança devem ser adequadas para realizar técnicas de escalada.

Vibração

1. Os indivíduos com má circulação que sejam expostos a vibração excessiva podem experi-enciar lesões nos vasos sanguíneos ou no sistema nervoso. A vibração pode causar a ocorrência dos seguintes sintomas nos dedos, mãos ou pulsos: “Adormecer” (dormência), formigueliro, dor, sen-sação de apunhalamento, alteração da cor da pele ou da pele. **Se ocorrer qualquer um destes sintomas, consulte um médico!** Para reduzir o risco de “doença do dedo branco”, mantenha as mãos quentes durante o funcionamento, e realize a manutenção adequada do equipamento e dos acessórios.

GUARDE ESTAS INSTRUÇÕES.

⚠️ AVISO: NÃO permita que conforto ou familiaridade com o produto (adquirido com o uso repe-tido) substitua a aderência estrita às regras de segurança da ferramenta. **MÁ INTERPRETAÇÃO** ou não seguimento das regras de segurança estabelecidas neste manual de instruções pode causar danos pessoais sérios.

Instruções de segurança importantes para a bateria

1. Antes de utilizar a bateria, leia todas as ins-truções e etiquetas de precaução no (1) carre-gador de bateria (2) bateria e (3) produto que utiliza a bateria.
2. Não abra a bateria.
3. Se o tempo de funcionamento se tornar excessivamente curto, pare o funcionamento imediatamente. Pode resultar em sobreaque-cimento, possíveis queimaduras e mesmo explosão.
4. Se entrar eletrólito nos seus olhos, lave-os com água e consulte imediatamente um médico. Pode resultar em perda de visão.
5. Não coloque a bateria em curto-circuito:
 - (1) Não toque nos terminais com qualquer material condutor.
 - (2) Evite guardar a bateria juntamente com outros objetos metálicos tais como pre-gos, moedas, etc.

(3) Não exponha a bateria à água ou chuva. Um curto-circuito pode ocasionar um enorme fluxo de corrente, sobreaquecimento, possí-veis queimaduras e mesmo estragar-se.

6. Não guarde a ferramenta e a bateria em locais onde a temperatura pode atingir ou exceder 50°C.
7. Não queime a bateria mesmo que esteja estra-gada ou completamente gasta. A bateria pode explodir no fogo.
8. Tenha cuidado para não deixar cair ou dar pancadas na bateria.
9. Não utilize uma bateria danificada.
10. As baterias de íões de lítio contidas na fer-ramenta são sujeitas aos requisitos da DGL (Dangerous Goods Legislation - Legislação de bens perigosos).

Para o transporte comercial, por exemplo, por terceiros ou agentes de expedição, têm de ser observados os requisitos referentes à embalagem e etiquetagem.

Para preparação do artigo a ser expedido, é necessário consultar um perito em materiais perigosos. Tenha ainda em conta a possibilidade de existirem regulamentos nacionais mais deta-lhados.

Coloque fita-cola ou tape os contactos abertos e embale a bateria de tal forma que não possa mover-se dentro da embalagem.

11. **Siga os regulamentos locais relacionados com a eliminação de baterias.**
12. **Utilize as baterias apenas com os produtos especificados pela Makita.** Instalar as baterias em produtos não-conformes poderá resultar num incêndio, calor excessivo, explosão ou fuga de eletrólito.

GUARDE ESTAS INSTRUÇÕES.

⚠️ PRECAUÇÃO: Utilize apenas baterias genuí-nas da Makita. A utilização de baterias não genuínas da Makita ou de baterias que foram alteradas, pode resultar no rebentamento da bateria provocando incêndios, ferimentos pessoais e danos. Além disso, anulará da garantia da Makita no que se refere à ferramenta e ao carregador Makita.

Conselhos para manter a máxima vida útil da bateria

1. Carregue a bateria antes que esteja comple-tamente descarregada. Pare sempre o funcio-namento da ferramenta e carregue a bateria quando notar menos poder na ferramenta.
2. Nunca carregue uma bateria completamente carregada. Carregamento excessivo diminui a vida útil da bateria.
3. Carregue a bateria à temperatura ambiente de 10°C – 40°C. Deixe que uma bateria quente arrefeça antes de a carregar.
4. Carregue a bateria se não a utilizar durante um longo período de tempo (mais de seis meses).

DESCRIÇÃO DAS PEÇAS

► Fig.2

1	Gatilho do interruptor	2	Pega superior	3	Alavanca de segurança
4	Protetor frontal das mãos	5	Barra de guia	6	Corrente de serra
7	Fixador da corrente	8	Porca de retenção	9	Parafuso de ajuste da corrente
10	Guia da apara	11	Bateria	12	Lâmpada de alimentação principal
13	Interruptor de alimentação principal	14	Parafuso de ajuste (para bomba de óleo)	15	Mosquetão
16	Pega frontal	17	Tampão do depósito de óleo	18	Cobertura da barra de guia

DESCRIÇÃO FUNCIONAL

⚠️ PRECAUÇÃO: Certifique-se sempre de que a ferramenta está desligada e a bateria foi retirada antes de regular ou verificar qualquer função na ferramenta.

Instalação ou remoção da bateria

⚠️ PRECAUÇÃO: Desligue sempre a ferramenta antes de colocar ou retirar a bateria.

⚠️ PRECAUÇÃO: Segure firmemente a ferramenta e a bateria quando instalar ou remover a bateria. Se não segurar firmemente a ferramenta e a bateria pode fazer com que escorreguem das suas mãos resultando em danos na ferramenta e na bateria e ferimentos pessoais.

► Fig.3: 1. Indicador vermelho 2. Botão 3. Bateria

Para retirar a bateria, deslize-a para fora da ferramenta enquanto desliza o botão na frente da bateria.

Para instalar a bateria, alinhe a lingueta da bateria com a ranhura no compartimento e deslize-a no lugar. Empurre-a até o fim para que a mesma encaixe no lugar com um clique. Se puder ver a parte vermelha no lado superior do botão, significa que não está completamente bloqueada.

⚠️ PRECAUÇÃO: Instale sempre a bateria até ao fim, até deixar de ver o indicador vermelho. Caso contrário, a bateria poderá cair da ferramenta acidentalmente e provocar ferimentos em si mesmo ou em alguém próximo.

⚠️ PRECAUÇÃO: Não instale a bateria à força. Se a bateria não deslizar facilmente é porque não foi colocada corretamente.

Indicação da capacidade restante da bateria

Apenas para baterias com indicador

► Fig.4: 1. Luzes indicadoras 2. Botão de verificação

Prima o botão de verificação na bateria para indicar a capacidade restante da bateria. As luzes indicadoras acendem durante alguns segundos.

Luzes indicadoras			Capacidade restante
Aceso	Apagado	A piscar	
■	□	◐	75% a 100%
■	■	□	50% a 75%
■	■	□	25% a 50%
■	□	□	0% a 25%
◐	□	□	Carregar a bateria.
■	■	□	A bateria pode estar avariada.
□	□	■	

NOTA: Dependendo das condições de utilização e da temperatura ambiente, a indicação pode ser ligeiramente diferente da capacidade real.

Sistema de proteção da ferramenta/bateria

A ferramenta está equipada com um sistema de proteção da ferramenta/bateria. Este sistema corta automaticamente a corrente para o motor para aumentar a vida da ferramenta e da bateria. A ferramenta para automaticamente durante o funcionamento se a ferramenta ou bateria for colocada mediante uma das seguintes condições:

Proteção contra sobrecarga

Quando a bateria é utilizada de tal forma que provoque uma corrente anormalmente elevada, a ferramenta para automaticamente e a lâmpada de alimentação principal pisca a verde. Nesta situação, desligue a ferramenta e pare a aplicação que provocou a sobrecarga na ferramenta. Depois, volte a ligar a ferramenta para reiniciar.

Proteção contra sobreaquecimento

Quando a ferramenta ou bateria estiver sobreaquecida, a ferramenta para automaticamente e a lâmpada de alimentação principal acende a vermelho. Neste caso, deixe a ferramenta e a bateria arrefecerem antes de voltar a ligar a ferramenta.

NOTA: Num ambiente de alta temperatura, a proteção contra sobreaquecimento provavelmente funciona e a ferramenta para automaticamente.

Proteção contra descarga excessiva

Quando a capacidade da bateria não for suficiente, a ferramenta para automaticamente e a lâmpada de alimentação principal pisca a vermelho. Neste caso, remova a bateria da ferramenta e carregue a bateria.

Interruptor de alimentação principal

AVISO: Desligue sempre o interruptor de alimentação principal quando não estiver a ser utilizado.

Para ligar a ferramenta, prima o interruptor de alimentação principal até a lâmpada de alimentação principal acender a verde. Para desligar, prima novamente o interruptor de alimentação principal.

- **Fig.5:** 1. Lâmpada de alimentação principal
2. Interruptor de alimentação principal

NOTA: A lâmpada de alimentação principal pisca a verde se o gatilho do interruptor for premido em condições não-operacionais. A lâmpada pisca numa das seguintes condições.

- Quando ligar o interruptor de alimentação principal enquanto pressiona a alavanca de segurança e o gatilho do interruptor.
- Quando premir o gatilho do interruptor enquanto o travão da corrente está ativado.
- Quando soltar o travão da corrente enquanto pressiona a alavanca de segurança e o gatilho do interruptor.

NOTA: Esta serra de corrente utiliza a função de desconexão automática. De modo a evitar o arranque accidental, o interruptor de alimentação principal desliga automaticamente quando o gatilho do interruptor não é premido por um determinado período após o interruptor de alimentação principal ser ligado.

Pode utilizar a ferramenta no modo de Impulso do Binário para cortar ramos espessos ou duros. Para utilizar a ferramenta no modo de Impulso do Binário, quando a ferramenta estiver desligada, prima o interruptor de alimentação principal durante alguns segundos até a lâmpada de alimentação principal acender a amarelo.

NOTA: Pode utilizar a ferramenta no modo de Impulso do Binário até 30 segundos. Dependendo das condições de utilização, este modo muda para o modo normal em menos de 30 segundos.

NOTA: Se a lâmpada de alimentação principal pisca a amarelo quando pressionar o interruptor de alimentação principal durante alguns segundos, o modo de Impulso do Binário não está disponível. Neste caso, siga os procedimentos seguintes.

- O modo de Impulso do Binário não está disponível logo após a operação de corte. Aguarde mais de 10 segundos e, em seguida, prima novamente o interruptor de alimentação principal.
- Se utilizar o modo de Impulso do Binário várias vezes, a utilização deste modo fica limitada para proteger a bateria. Se o modo de Impulso do Binário não estiver disponível após aguardar durante mais de 10 segundos, substitua a bateria por uma bateria totalmente carregada ou recarregue a bateria.

NOTA: Se a lâmpada de alimentação principal acender a vermelho ou piscar a vermelho ou a verde, consulte as instruções relativas ao sistema de proteção da ferramenta/bateria.

NOTA: O modo de Impulso do Binário não pode ser utilizado quando a bateria BL1815N, BL1820 ou BL1820B estiver instalada.

Ação do interruptor

AVISO: Para sua segurança, esta ferramenta está equipada com uma alavanca de segurança que impede o arranque accidental da ferramenta. NUNCA utilize a ferramenta se funcionar quando simplesmente prime o gatilho do interruptor sem premir a alavanca de segurança. Devolva a ferramenta ao nosso centro de assistência autorizado para proceder a reparações adequadas ANTES de continuar a utilizá-la.

AVISO: NUNCA utilize fita-cola nem tente anular a finalidade e funcionamento da alavanca de desbloqueio.

PRECAUÇÃO: Antes de colocar a bateria na ferramenta, verifique sempre se o gatilho do interruptor funciona corretamente e volta para a posição "OFF" quando libertado.

OBSERVAÇÃO: Não puxe o gatilho com força sem premir a alavanca de desbloqueio. Pode partir o gatilho.

De modo a impedir que o gatilho do interruptor seja pressionado accidentalmente, é disponibilizada uma alavanca de segurança. Para efetuar o arranque da ferramenta, pressione a alavanca de segurança e prima o gatilho do interruptor. A velocidade da ferramenta aumenta ao aumentar a pressão no gatilho do interruptor. Solte o gatilho do interruptor para parar.

- **Fig.6:** 1. Gatilho do interruptor 2. Alavanca de segurança

Verificar o travão da corrente

⚠️ PRECAUÇÃO: Segure a serra de corrente com as duas mãos quando a liga. Segure a pega superior com a mão direita e a pega frontal com a mão esquerda. A barra e a corrente não devem tocar em nenhum objeto.

⚠️ PRECAUÇÃO: Se a corrente de serra não parar imediatamente ao efetuar este teste, a serra não deve ser utilizada de maneira nenhuma. Consulte o nosso centro de assistência autorizado.

1. Pressione a alavanca de segurança e depois o gatilho do interruptor. A corrente de serra liga imediatamente.
 2. Pressione o protetor frontal das mãos para a frente com a parte de trás da sua mão. Certifique-se de que a serra de corrente para imediatamente.
- **Fig.7:** 1. Protetor frontal das mãos 2. Posição de desbloqueio 3. Posição de bloqueio

Verificar o travão de inatividade

⚠️ PRECAUÇÃO: Se a corrente de serra não parar dentro de dois segundos ao efetuar este teste, pare utilizando a serra de corrente e consulte o nosso centro de assistência autorizado.

Execute a serra de corrente e depois solte completamente o gatilho do interruptor. A corrente de serra deve parar completamente dentro de dois segundos.

Ajustar a lubrificação da corrente

Pode ajustar a taxa de alimentação da bomba de óleo com o parafuso de ajuste utilizando uma chave universal. A quantidade de óleo pode ser ajustada em 3 passos.

► **Fig.8:** 1. Parafuso de ajuste

Mosquetão (ponto de fixação da corda)

Pode pendurar a ferramenta, apertando a corda ao mosquetão. Puxe o mosquetão para cima e, em seguida, aperte-o com a corda.

Função eletrónica

A ferramenta está equipada com as funções eletrónicas para fácil operação.

- Arranque suave
A função de arranque suave minimiza o choque do arranque e torna o arranque da ferramenta suave.

MONTAGEM

⚠️ PRECAUÇÃO: Certifique-se sempre de que a ferramenta está desligada e a bateria retirada antes de executar qualquer trabalho na ferramenta.

⚠️ PRECAUÇÃO: Não toque na corrente de serra com as mãos desprotegidas. Use sempre luvas quando manusear a corrente de serra.

Extração ou instalação da corrente de serra

⚠️ PRECAUÇÃO: A corrente de serra e a barra de guia ainda estão quentes logo após o funcionamento. Deixe-as arrefecer o suficiente antes de efetuar qualquer trabalho na ferramenta.

⚠️ PRECAUÇÃO: Continue a executar o procedimento de instalação ou remoção da corrente de serra num local limpo, sem serradura e outro tipo de sujidade.

Para remover a corrente de serra, realize as seguintes etapas:

1. Solte o travão da corrente ao puxar o protetor frontal das mãos.
 2. Solte o parafuso de ajuste da corrente e, em seguida, a porca de retenção.
- **Fig.9:** 1. Parafuso de ajuste da corrente 2. Porca de retenção
3. Retire a cobertura da roda de corrente e depois remova a corrente de serra e a barra de guia do corpo da serra de corrente.

Para instalar a corrente de serra, realize as seguintes etapas:

1. Verifique a direção da corrente de serra. Corresponda a direção da corrente de serra com a direção da marca no corpo da serra de corrente.
 2. Encaixe uma extremidade da corrente de serra na parte de cima da barra de guia.
 3. Encaixe a outra extremidade da corrente de serra em volta da roda de corrente e, em seguida, prenda a barra de guia ao corpo da serra de corrente, alinhando o orifício na barra de guia com o pino no corpo da serra de corrente.
- **Fig.10:** 1. Roda de corrente 2. Orifício
4. Insira a saliência da cobertura da roda de corrente no corpo da serra de corrente e, em seguida, feche a cobertura de modo que o perno e os pinos no corpo da serra de corrente encostem nas respetivas contrapartes na cobertura.
- **Fig.11:** 1. Saliência 2. Cobertura da roda de corrente 3. Perno 4. Pino
5. Aperte a porca de retenção para fixar a cobertura da roda de corrente e, em seguida, solte-a um pouco para ajustar a tensão.
- **Fig.12:** 1. Porca de retenção

Ajustar a tensão da corrente de serra

⚠️ PRECAUÇÃO: Não aperte demasiado a corrente de serra. Uma tensão excessivamente alta da corrente de serra pode parti-la, provocando desgaste na barra de guia e partir o mostrador de ajuste.

⚠️ PRECAUÇÃO: Uma corrente demasiado solta pode saltar para fora da barra e, deste modo, apresentar riscos de acidente.

A corrente de serra pode ficar frouxa após muitas horas de utilização. Verifique de vez em quando a tensão da corrente de serra antes de utilizar a serra.

1. Solte o travão da corrente ao puxar o protetor frontal das mãos.
2. Solte a porca de retenção ligeiramente para soltar minimamente a cobertura da roda de corrente.
▶ **Fig.13:** 1. Porca de retenção
3. Levante ligeiramente a ponta da barra de guia e ajuste a tensão da corrente. Rode o parafuso de ajuste da corrente para a direita para apertar, rode-o para a esquerda para soltar.

Para a corrente de serra 90PX e 91PX:

Aperte a corrente de serra até o lado inferior da mesma encaixar na calha da barra de guia, conforme ilustrado.

- ▶ **Fig.14:** 1. Barra de guia 2. Corrente de serra
3. Parafuso de ajuste da corrente

Para a corrente da serra 25AP:

Aperte a corrente de serra de modo que a folga entre o centro do lado inferior da barra de guia e a corrente de serra seja de aproximadamente 1 mm a 2 mm.

4. Continue a segurar a barra de guia ao de leve e aperte a cobertura da roda de corrente.

Para a corrente de serra 90PX e 91PX:

Certifique-se de que a corrente de serra não fica solta na parte de baixo.

Para a corrente da serra 25AP:

Certifique-se de que a folga entre o centro do lado inferior da barra de guia e a corrente de serra seja de aproximadamente 1 mm a 2 mm.

5. Aperte a porca de retenção para fixar a cobertura da roda de corrente.

- ▶ **Fig.15:** 1. Porca de retenção

Certifique-se de que a corrente de serra fica bem encaixada contra a parte inferior da barra de guia.

Para-choques de pico

Acessório opcional

Quando cortar ramos espessos, recomenda-se a utilização dos para-choques de pico. Para instalar o para-choques de pico, execute os seguintes passos:

1. Retire a cobertura da roda de corrente, a corrente de serra e a barra de guia.
2. Alinhe os orifícios do para-choques de pico com os orifícios no corpo da serra de corrente e, em seguida, aperte os parafusos firmemente.

- ▶ **Fig.16:** 1. Parafuso 2. Para-choques de pico

OPERAÇÃO

Lubrificação

A corrente de serra é lubrificada automaticamente ao operar com a ferramenta. Verifique periodicamente a quantidade de óleo restante no depósito de óleo através da janela de inspeção de óleo.

Deite a serra de corrente e remova o tampão do depósito de óleo para encher o tanque. A quantidade apropriada de óleo é 140 ml. Após encher o depósito, certifique-se de que o tampão do depósito de óleo está bem apertado.

- ▶ **Fig.17:** 1. Tampão do depósito de óleo 2. Janela de inspeção de óleo

Segure a serra de corrente afastada da árvore. Ligue-a e aguarde até que a lubrificação na corrente de serra seja adequada.

- ▶ **Fig.18**

OBSERVAÇÃO: Ao abastecer de óleo de corrente pela primeira vez ou quando reabastecer o tanque após o mesmo estar completamente vazio, adicione o óleo até à borda inferior do gargalo de enchimento. Caso contrário, o fornecimento de óleo pode ser prejudicado.

OBSERVAÇÃO: Utilize óleo exclusivo para correntes de serra para serras de corrente Makita ou óleos equivalentes disponíveis no mercado.

OBSERVAÇÃO: Nunca utilize óleo com poeira ou partículas nem óleo volátil.

OBSERVAÇÃO: Utilize sempre óleo vegetal quando podar árvores. O óleo mineral pode danificar as árvores.

OBSERVAÇÃO: Antes da operação de corte, certifique-se de que o tampão do depósito de óleo está aparafusado na posição correta.

TRABALHAR COM A SERRA DE CORRENTE

⚠️ PRECAUÇÃO: Os utilizadores iniciantes devem antes praticar e cortar troncos sobre um cavalete de serra ou suporte.

⚠️ PRECAUÇÃO: Quando serrar madeira pré-cortada utilize um suporte de segurança (cavalete de serra ou suporte). Não segure a peça de trabalho com o pé e não permita que ninguém a segure nem a mantenha estável.

⚠️ PRECAUÇÃO: Fixe as peças circulares contra rotação.

⚠️ PRECAUÇÃO: Mantenha todo o seu corpo afastado da corrente de serra quando o motor estiver a funcionar.

⚠️ PRECAUÇÃO: Segure a serra de corrente firmemente com as duas mãos quando o motor estiver a funcionar.

⚠️ PRECAUÇÃO: Não se incline. Mantenha sempre os pés firmes e em equilíbrio.

OBSERVAÇÃO: Nunca atire ou deixe cair a ferramenta.

OBSERVAÇÃO: Não cubra as aberturas de ventilação da ferramenta.

Podar árvores

Coloque o corpo da serra de corrente em contacto com o ramo a ser cortado antes de ligar a ferramenta. Caso contrário pode fazer com que a barra de guia oscile, resultando em ferimentos no operador. Serre a madeira que necessita de serrar movendo apenas a serra para baixo usando o peso da serra de corrente.

► Fig.19

Se não conseguir cortar a madeira completamente com um simples corte:

Exerça uma pressão ligeira na pega e continue a serrar e recue a serra de corrente um pouco.

► Fig.20

Quando cortar ramos espessos, realize primeiramente um corte inferior superficial e, em seguida, realize o corte final a partir de cima.

► Fig.21

Se tentar cortar ramos espessos a partir de baixo, o ramo pode ficar mais curto e prender a corrente de serra no corte. Se tentar cortar ramos espessos a partir de cima sem realizar um corte inferior superficial, o ramo pode lascar.

► Fig.22

Cortes transversais

1. Coloque o corpo da serra de corrente na madeira a ser cortada.

► Fig.23

2. Com a corrente de serra a funcionar, serre a madeira utilizando a pega superior para elevar a serra e a frontal para guiá-la.

3. Continue o corte aplicando uma ligeira pressão na pega superior, facilitando a saída da serra para trás, ligeiramente.

OBSERVAÇÃO: Ao executar diversos cortes, desligue a serra de corrente entre os cortes.

PRECAUÇÃO: Se utilizar o bordo superior da barra para cortar, a serra de corrente pode ser impulsionada na sua direção se a corrente ficar presa. Por isso, corte com o bordo inferior para que, se ocorrer, a serra seja impulsionada para o lado oposto a si.

► Fig.24

Se a madeira estiver sob tensão, corte primeiro o lado sob pressão (A). Em seguida execute o corte final do lado de tensão (B). Isto evita que a barra fique presa.

► Fig.25

Cortar ramos

PRECAUÇÃO: O corte de ramos deve ser executado somente por pessoal qualificado. Existe o perigo de recuo.

Quando corta ramos, procure apoiar a serra de corrente no tronco, se possível. Não utilize a ponta da barra para cortar, pois isso provoca o risco de recuo.

Tenha muita cautela com os ramos sob tensão. Não corte por baixo os ramos livres.

Não fique de pé sobre o tronco derrubado quando corta ramos.

Transportar a ferramenta

Antes de transportar a ferramenta, aplique sempre o travão da corrente e remova as baterias da ferramenta. Anexe a cobertura da barra de guia. Cubra igualmente a bateria com a cobertura da bateria.

► Fig.26: 1. Cobertura da barra de guia 2. Cobertura da bateria

MANUTENÇÃO

PRECAUÇÃO: Certifique-se sempre de que a ferramenta se encontra desligada e de que a bateria foi retirada antes de executar qualquer inspeção ou manutenção.

PRECAUÇÃO: Use sempre luvas quando executar qualquer inspeção ou manutenção.

OBSERVAÇÃO: Nunca utilize gasolina, benzina, diluente, álcool ou produtos semelhantes. Pode ocorrer a descoloração, deformação ou rachaduras.

Para manter a SEGURANÇA e a FIABILIDADE do produto, as reparações e qualquer outra manutenção ou ajuste devem ser levados a cabo pelos centros de assistência Makita autorizados ou pelos centros de assistência de fábrica, utilizando sempre peças de substituição Makita.

Afiar a corrente de serra

Afie a corrente de serra quando:

- O pó de serragem produzido ao serrar madeira húmida parece farinha;
- A corrente penetra na madeira com dificuldade, mesmo que exerça bastante pressão;
- A extremidade de corte está obviamente danificada;
- A serra puxa para a esquerda ou direita ao serrar a madeira. (isto é devido à afiação irregular da corrente de serra ou danos em apenas um dos lados)

Afie a corrente de serra frequentemente, mas apenas um pouco de cada vez. Normalmente, duas ou três passadas da lima será o suficiente para afiação regular. Leve a corrente de serra para ser afiada no nosso centro de assistência autorizado se já a afiou várias vezes.

Crítérios para afiar:

AVISO: A distância excessiva entre a extremidade de corte e o limitador de profundidade aumenta o risco de recuo.

► Fig.27: 1. Comprimento da lâmina 2. Distância entre a extremidade de corte e o limitador de profundidade 3. Comprimento mínimo da lâmina (3 mm)

- Todo o comprimento da lâmina tem de ser igual. Diferentes comprimentos da lâmina impedem a corrente de serra de funcionar normalmente e podem fazer com que a corrente de serra parta.
- Não afie mais a corrente a partir do momento em que a lâmina atinge um comprimento de 3 mm ou inferior. A corrente tem de ser substituída por uma nova.
- A espessura da apara é determinada pela distância entre o limitador de profundidade (ponta redonda) e a extremidade de corte.
- Os melhores resultados de corte são obtidos com a seguinte distância entre a extremidade de corte e o limitador de profundidade.
 - Lâmina da serra 90PX: 0,65 mm
 - Lâmina da serra 91PX: 0,65 mm
 - Lâmina da serra 25AP: 0,65 mm

► Fig.28

- Um ângulo de afiação de 30° terá de ser o mesmo para todos as lâminas. As diferenças de ângulo fazem com que o funcionamento da serra seja mais difícil e irregular, aceleram o desgaste e fazem com que a serra parta.
- Utilize uma lima circular adequada para que o ângulo de afiação apropriado seja mantido contra os dentes.
 - Lâmina da serra 90PX: 55°
 - Lâmina da serra 91PX: 55°
 - Lâmina da serra 25AP: 55°

Limas e como trabalhar com elas

- Utilize uma lima circular especial (acessório opcional) para correntes de serra para afiar a serra. As limas circulares normais não são adequadas.
- O diâmetro da lima circular para cada corrente de serra é o seguinte:
 - Lâmina da serra 90PX: 4,5 mm
 - Lâmina da serra 91PX: 4,0 mm
 - Lâmina da serra 25AP: 4,0 mm
- A lima só deve engatar nos dentes no curso para a frente. Levante a lima para a retirar do dente no curso de retorno.
- Afie primeiro os dentes mais curtos. Em seguida, o comprimento destes dentes mais curtos passa a ser o padrão para os restantes na corrente de serra.
- Movimente a lima como indicado na ilustração.

► Fig.29: 1. Lima 2. Corrente de serra

- O movimento da lima torna-se mais fácil se utilizar um porta-limas (acessório opcional). O porta-limas é marcado com o ângulo de afiação correto de 30° (alinhar as marcas paralelas com a corrente da serra) e limita a profundidade de penetração (para 4/5 do diâmetro da lima).

► Fig.30: 1. Porta-limas

- Depois de afiar a corrente, verifique a altura do limitador de profundidade utilizando um calibrador de corrente (acessório opcional).

► Fig.31

- Retire qualquer material saliente, por menor que seja, com uma lima plana especial (acessório opcional).
- Arredonde novamente a frente do limitador de profundidade.

Limpar a barra de guia

As partículas e serragem acumulam-se na ranhura da barra de guia. Estas podem obstruir a ranhura da barra e afetar o fluxo de óleo. Retire sempre as partículas e a serragem quando afiar ou substituir a corrente de serra.

► Fig.32

Limpar a cobertura da roda de corrente

As partículas e serragem acumulam-se no interior da cobertura da roda de corrente. Retire a cobertura da roda de corrente e a corrente de serra da ferramenta e, de seguida, limpe as partículas e a serragem.

► Fig.33

Limpar o orifício de saída de óleo

Pó fino ou partículas podem acumular-se no orifício de saída de óleo durante o funcionamento. Este pó ou partículas podem prejudicar o fluxo de óleo e resultar em lubrificação insuficiente de toda a corrente de serra. Se ocorrer a dispensa insuficiente de óleo da corrente no topo da barra de guia, limpe o orifício de saída de óleo como indicado a seguir.

1. Retire a cobertura da roda de corrente e a corrente de serra da ferramenta.
 2. Remova as pequenas partículas de poeira ou outras utilizando uma chave de fendas de ponta achatada e alongada ou um dispositivo semelhante.
- Fig.34: 1. Chave de fendas de ponta achatada 2. Orifício de saída de óleo
3. Insira a bateria na ferramenta. Aperte o gatilho do interruptor para expelir óleo a fim de remover a poeira e partículas acumuladas no orifício de saída de óleo.
 4. Retire a bateria da ferramenta. Reinstale a cobertura da roda de corrente e a corrente de serra na ferramenta.

Substituir a roda de corrente

⚠PRECAUÇÃO: Uma roda de corrente gasta danificará a corrente de serra nova. Substitua a roda de corrente quando estiver gasta.

Antes de instalar uma corrente de serra nova, verifique a condição da roda de corrente.

► Fig.35: 1. Roda de corrente 2. Áreas com desgaste

Coloque sempre um anel de trava novo ao substituir a roda de corrente.

► Fig.36: 1. Anel de trava 2. Roda de corrente

OBSERVAÇÃO: Certifique-se de que a roda de corrente está instalada como indicado na figura.

Armazenar a ferramenta

1. Limpe a ferramenta antes de armazenar. Limpe as partículas e a serragem da ferramenta depois de retirar a cobertura da roda de corrente.
2. Depois de limpar, opere a ferramenta em vazio para lubrificar a corrente de serra e a barra de guia.
3. Cubra a barra de guia com a cobertura da barra de guia.
4. Esvazie o depósito de óleo.

Instruções para manutenção periódica

Para garantir uma vida útil longa, evite danificar e garanta o funcionamento total das funcionalidades de segurança. A manutenção seguinte tem de ser realizada regularmente. Os pedidos de garantia só podem ser aceites se este trabalho for realizado regular e adequadamente. O incumprimento dos trabalhos de manutenção indicados pode levar a acidentes! O utilizador da serra de corrente não pode realizar os trabalhos de manutenção que não estejam descritos no manual de instruções. Esses trabalhos devem ser realizados pelo nosso centro de assistência autorizado.

Verificar item / tempo de funcionamento		Antes do funcionamento	Todos os dias	Todas as semanas	A cada 3 meses	Anualmente	Antes de armazenar
Serra de corrente	Inspeção.	✓	-	-	-	-	-
	Limpeza.	-	✓	-	-	-	-
	Verifique no centro de assistência autorizado.	-	-	-	-	✓	✓
Corrente de serra	Inspeção.	✓	-	-	-	-	-
	Afiar, se necessário.	-	-	-	-	-	✓
Barra de guia	Inspeção.	✓	✓	-	-	-	-
	Remover da serra de corrente.	-	-	-	-	-	✓
Travão da corrente	Verificar o funcionamento.	✓	-	-	-	-	-
	Inspecionar regularmente num centro de assistência autorizado.	-	-	-	✓	-	-
Lubrificação da corrente	Verificar a taxa de alimentação de óleo.	✓	-	-	-	-	-
Gatilho do interruptor	Inspeção.	✓	-	-	-	-	-
Alavanca de segurança	Inspeção.	✓	-	-	-	-	-
Tampão do depósito de óleo	Verificar a estanquidade.	✓	-	-	-	-	-
Fixador da corrente	Inspeção.	-	-	✓	-	-	-
Parafusos e porcas	Inspeção.	-	-	✓	-	-	-

RESOLUÇÃO DE PROBLEMAS

Antes de pedir uma reparação, realize primeiro a sua própria inspeção. Se encontrar um problema que não esteja explicado no manual, não tente desmontar a ferramenta. Em vez disso, peça as reparações nos centros de assistência técnica autorizados da Makita, usando sempre peças de substituição da Makita.

Problema	Causa	Ação
A serra de corrente não arranca.	A bateria não está instalada.	Instale uma bateria carregada.
	Problema com a bateria (tensão baixa).	Recarregue as baterias. Se recarregar a bateria não solucionar o problema, substitua a bateria.
	O interruptor de alimentação principal está desligado.	A serra de corrente é automaticamente desligada caso não seja operada por um determinado período. Prima novamente o interruptor de alimentação principal.
A corrente de serra não funciona.	Travão da corrente ativado.	Solte o travão da corrente.
O motor para de funcionar depois de pouco tempo de utilização.	O nível de carga da bateria está baixo.	Recarregue as baterias. Se recarregar a bateria não solucionar o problema, substitua a bateria.
Não há óleo na corrente.	O depósito de óleo está vazio.	Encha o depósito de óleo.
	A ranhura da guia do óleo está suja.	Limpe a ranhura.
	Fraca distribuição de óleo.	Regule a quantidade de óleo com o parafuso de ajuste.
A serra de corrente não atinge o RPM máximo.	A bateria está instalada de forma incorreta.	Instale as baterias como descrito neste manual.
	A potência da bateria está a diminuir.	Recarregue a bateria. Se recarregar a bateria não solucionar o problema, substitua a bateria.
	O sistema de acionamento não funciona corretamente.	Solicite a reparação no centro de assistência autorizado da sua região.
A lâmpada de alimentação principal está a piscar a verde.	O gatilho do interruptor é premido em condições não-operacionais.	Prima o gatilho do interruptor após o interruptor de alimentação principal ser ligado e o travão da corrente ser solto.
A serra não para mesmo quando o travão da corrente está ativado: Desligue a máquina imediatamente!	A banda do travão está gasta.	Solicite a reparação no centro de assistência autorizado da sua região.
Vibração anormal: Desligue a máquina imediatamente!	A barra de guia ou a corrente de serra está solta.	Ajuste a barra de guia e a tensão da corrente de serra.
	Falha de funcionamento da ferramenta.	Solicite a reparação no centro de assistência autorizado da sua região.
O modo de Impulso do Binário não está disponível após a substituição da bateria por uma bateria totalmente carregada.	Dependendo das condições de utilização, o modo de Impulso do Binário não está disponível após a substituição da bateria.	Utilize a ferramenta no modo de funcionamento normal até a bateria instalada ficar vazia e, em seguida, substitua a bateria por uma bateria totalmente carregada ou recarregue a bateria.

ACESSÓRIOS OPCIONAIS

⚠️PRECAUÇÃO: Estes acessórios ou peças são recomendados para utilização com a ferramenta Makita especificada neste manual. A utilização de outros acessórios ou peças pode ser perigosa para as pessoas. Utilize apenas acessórios ou peças para os fins indicados.

Se necessitar de informações adicionais relativas a estes acessórios, solicite-as ao seu centro de assistência Makita.

- Corrente de serra
- Barra de guia
- Cobertura da barra de guia

- Roda de corrente
- Para-choques de pico
- Lima
- Bolsa da ferramenta
- Bateria e carregador genuínos da Makita

⚠️AVISO: Se adquirir uma barra de guia de comprimento diferente do comprimento da barra de guia padrão, adquira também uma cobertura da barra de guia adequada. Esta tem de encaixar e cobrir totalmente a barra de guia na serra de corrente.

NOTA: Alguns itens da lista podem estar incluídos na embalagem da ferramenta como acessórios padrão. Eles podem variar de país para país.

SPECIFIKATIONER

Model:		DUC204	DUC254	DUC254C
Samlet længde (uden sværd)		256 mm		
Nominel spænding		DC 18 V		
Nettovægt		2,8 - 3,3 kg		
Længde af standardsværd		200 mm	250 mm	
Anbefalet længde af sværd	med 90PX	200 - 250 mm		-
	med 91PX	-	250 mm	-
	med 25AP	-		250 mm
Anvendelig savkædetype (se tabellen nedenfor)		90PX	90PX 91PX	25AP
Standardkædehjul	Antal tænder	6		9
	Tandafstand	3/8"		1/4"
Kædehastighed		0 - 24 m/s (0 - 1.440 m/min)		0 - 22,5 m/s (0 - 1.350 m/min)
Volumen af kædeolietank		140 cm ³		

- På grund af vores kontinuerlige forsknings- og udviklingsprogrammer kan hosstående specifikationer blive ændret uden varsel.
- Specifikationerne kan variere fra land til land.
- Vægten kan være anderledes afhængigt af tilbehøret, inklusive akkuen. Den letteste og tungeste kombination i henhold til EPTA-procedure 01/2014 er vist i tabellen.

Anvendelig akku

BL1815N / BL1820 / BL1820B / BL1830 / BL1830B / BL1840 / BL1840B / BL1850 / BL1850B / BL1860B

- Nogle af de akkuer, der er angivet ovenfor, er muligvis ikke tilgængelige, afhængigt af hvilket område du bor i.

⚠ ADVARSEL: Brug kun de akkuer, der er angivet ovenfor. Brug af andre akkuer kan medføre personskaade og/eller brand.

Kombination af savkæde, sværd og kædehjul

Savkædetype		90PX	
Antal drivled		33	40
Sværd	Længde af sværd	200 mm	250 mm
	Snitlængde	180 mm	244 mm
	Tandafstand	3/8"	
	Afstand	1,1 mm	
	Type	Kædehjulspids	
Kædehjul	Antal tænder	6	
	Tandafstand	3/8"	

Savkædetype		91PX	
Antal drivled		40	
Sværd	Længde af sværd	250 mm	
	Snitlængde	244 mm	
	Tandafstand	3/8"	
	Afstand	1,3 mm	
	Type	Kædehjulspids	
Kædehjul	Antal tænder	6	
	Tandafstand	3/8"	

Savkædetype		25AP
Antal drivled		60
Sværd	Længde af sværd	250 mm
	Snitlængde	250 mm
	Tandafstand	1/4"
	Afstand	1,3 mm
	Type	Udskæringsstang
Kædehjul	Antal tænder	9
	Tandafstand	1/4"

BEMÆRKNING: Ved brug af 25AP-savkæden skal den anvendes sammen med Kædehjul 9 (ekstraudstyr).

⚠ ADVARSEL: Brug en passende kombination af sværd og savkæde. I modsat fald kan det medføre tilskadekomst.

Symboler

Følgende viser de symboler, der anvendes til udstyret. Vær sikker på, at De forstår betydningen af symbolerne før brugen.



Læs brugsanvisningen.



Bær sikkerhedsbriller.



Brug hørevern.



Brug hjelm, beskyttelsesbriller og hørevern.



Brug passende beskyttelse til fødder/ben og hænder/arme.



Denne sav må kun benyttes af korrekt oplærte operatører.



Må ikke udsættes for fugt.



Maks. tilladt skærelængde



Brug altid begge hænder, når du betjener kædesaven.



Retning af kædens bevægelse



Justering af savkædeolie



Kun for lande inden for EU
Bortskaf ikke elektrisk udstyr eller akkuen sammen med almindeligt husholdningsaffald! I overensstemmelse med EU-direktiverne vedrørende Affald af elektrisk og elektronisk udstyr samt Batterier og akkumulatører og Batteri- og akkumulatøraftald og deres anvendelse i overensstemmelse med nationale love skal elektrisk udstyr og batterier og batteripakker, der har nået slutningen af deres levetid, indsamles separat og returneres til en miljøvenlig genbrugsstation.

Tilsigtet anvendelse

Maskinen er beregnet til at skære grene og beskære træer. Den er også egnet til træarbejde.

Lyd

Det typiske A-vægtede støjniveau bestemt i overensstemmelse med IEC62841-4-1:

Model DUC204

Lydtryksniveau (L_{pA}): 92,2 dB (A)
Lydeffektniveau (L_{WA}): 103,2 dB (A)
Usikkerhed (K): 2,5 dB (A)

Model DUC254

Lydtryksniveau (L_{pA}): 92,2 dB (A)
Lydeffektniveau (L_{WA}): 103,2 dB (A)
Usikkerhed (K): 2,5 dB (A)

Model DUC254C

Lydtryksniveau (L_{pA}): 92,2 dB (A)
Lydeffektniveau (L_{WA}): 103,2 dB (A)
Usikkerhed (K): 2,5 dB (A)

⚠ ADVARSEL: Bær hørevern.

Vibration

Vibrationens totalværdi (tre-aksial vektorsum) bestemt i overensstemmelse med IEC62841-4-1:

Model DUC204

Arbejdstilstand: skæring i træ
Vibrationsemission ($a_{h,W}$): 3,1 m/s²
Usikkerhed (K): 1,5 m/s²

Model DUC254

Arbejdstilstand: skæring i træ
Vibrationsemission ($a_{h,W}$): 3,1 m/s²
Usikkerhed (K): 1,5 m/s²

Model DUC254C

Arbejdstilstand: skæring i træ
Vibrationsemission ($a_{h,W}$): 4,1 m/s²
Usikkerhed (K): 1,5 m/s²

BEMÆRK: Den angivne vibrationsemissionsværdier blevet målt i overensstemmelse med standardtestmetoden og kan anvendes til at sammenligne et værktøj med et andet.

BEMÆRK: Den angivne vibrationsemissionsværdier kan også anvendes i en præliminær eksponeringsvurdering.

⚠ ADVARSEL: Vibrationsemissionen under den faktiske anvendelse af værktøjet kan være forskellig fra den erklærede emissionsværdi, afhængigt af den måde, hvorpå værktøjet anvendes.

⚠ ADVARSEL: Sørg for at identificere de sikkerhedsforskrifter til beskyttelse af operatøren, som er baseret på en vurdering af eksponering under de faktiske brugsforhold (med hensyntagen til alle dele i brugscyklussen, f.eks. de gange, hvor værktøjet er slukket, og når det kører i tomgang i tilgift til afbrydertiden).

EU-overensstemmelseserklæring

Kun for lande i Europa

EU-overensstemmelseserklæringen er inkluderet som Bilag A i denne brugsanvisning.

SIKKERHEDSADVARSLER

Almindelige sikkerhedsregler for el-værktøj

⚠ ADVARSEL: Læs alle de sikkerhedsadvarsler, instruktioner, illustrationer og specifikationer, der følger med denne maskine. Forsømmelse af at overholde alle nedenstående instruktioner kan medføre elektrisk stød, brand og/eller alvorlig personskade.

Gem alle advarsler og instruktioner til fremtidig reference.

Ordet "el-værktøj" i advarslerne henviser til det netforsyede (netledning) el-værktøj eller batteriforsyede (akku) el-værktøj.

Sikkerhedsadvarsler for akku-kædesav

1. **Hold alle kropsdele på god afstand af savkæden, når kædesaven er i gang. Sørg inden kædesaven startes for, at savkæden ikke er i kontakt med noget.** Et øjeblik uopmærksomhed under anvendelse af kædesaven kan bevirke, at dit tøj eller dine kropsdele kommer i kontakt med savkæden.
2. **Hold altid kædesaven med din højre hånd på det øverste håndtag og din venstre hånd på det forreste håndtag.** Hvis du holder i kædesaven med omvendt placering af hænderne, øges risikoen for tilskadekomst, hvorfor dette aldrig bør gøres.

3. **Hold altid kun i maskinen i de isolerede grebflader, da savkæden kan komme i berøring med skjulte ledninger.** En savkæde, der kommer i berøring med en strømførende ledning, kan gøre de udsatte metaldele på maskinen strømførende, hvilket kan give operatøren elektrisk stød.
4. **Bær sikkerhedsbriller og høreværn.** Anvendelse af yderligere beskyttelsesudstyr til hoved, hænder, ben og fødder anbefales. Fyldestgørende beskyttelsestøj vil reducere risikoen for tilskadekomst forårsaget af flyvende afskær eller utilsigtet kontakt med savkæden.
5. **Sørg altid for godt fodfæste.**
6. **Når du skærer en gren, der er spændt, skal du være på vagt mod tilbageslag.** Når spændingen i træfibrene udløses, kan den spændte gren ramme operatøren og/eller slynge kædesaven ud af kontrol.
7. **Udvis den største forsigtighed, når du skærer krat og unge træer.** Det tynde materiale kan blive fanget i savkæden og blive slynget mod dig eller kaste dig ud af balance.
8. **Bær altid kædesaven i det forreste håndtag med kædesaven slukket og vendende bort fra kroppen.** Når kædesaven transporteres eller lægges til opbevaring, skal sværdbeskytteren altid sættes på. Korrekt håndtering af kædesaven vil reducere sandsynligheden for utilsigtet kontakt med den kørende savkæde.
9. **Følg instruktionerne for smøring, kædespænding og udskiftning af tilbehør.** En fejlagtigt spændt eller smurt kæde kan enten knække, eller risikoen for tilbageslag kan øges.
10. **Hold håndtagene tørre, rene og fri for olie og fedt.** Fedtede, olieindsmurte håndtag er glatte og kan medføre tab af herredømmet.
11. **Skær kun i træ. Anvend ikke kædesaven til andre formål end dem, den er beregnet til.** Anvend for eksempel ikke kædesaven til at skære i plastic, murværk eller byggematerialer, som ikke er af træ. Anvendelse af kædesaven til andre formål end de tilsigtede kan resultere i farlige situationer.
12. **Årsager til tilbageslag, og hvordan operatøren kan forhindre det:**
Tilbageslag kan opstå, hvis næsen eller spidsen af sværdet berører en genstand, eller hvis træet lukker sammen og klemmer savkæden fast i snittet. Spidskontakt kan i visse tilfælde forårsage en pludselig baglæns reaktion, hvorved sværdet trykkes op og tilbage mod operatøren. Hvis savkæden klemmes fast langs sværdets overside, kan sværdet blive presset hurtigt tilbage mod operatøren. Begge disse reaktioner kan bevirke, at du mister herredømmet over saven, hvilket kan resultere i alvorlig tilskadekomst. Stol ikke udelukkende på de sikkerhedsanordninger, som er indbygget i saven. Som bruger af en kædesav bør du tage adskillige forholdsregler for at forhindre, at der sker ulykker og tilskadekomst under skærearbejdet.
Tilbageslag er et resultat af misbrug og/eller forkert anvendelse af saven eller ukorrekte forhold og kan undgås ved, at de herunder anviste rigtige forholdsregler overholdes:

- Hold godt fast i kædesaven med tommelfingre og de andre fingre omkring savens håndtag og med begge hænder på saven, og placer kroppen og armen således, at tilbageslag modvirkes. Tilbageslag kan forhindres af operatøren, hvis de rigtige forholdsregler tages. Slip ikke kædesaven.
- Fig.1
- Stræk dig ikke for langt, og skær ikke over skulderhøjde. Dette bidrager til at forebygge utilsigtet spidskontakt og muliggør en bedre beherskelse af kædesaven i uventede situationer.
 - Anvend udelukkende udskiftningssværd og -kæder, som er specificeret af fabrikanten. Forkerte udskiftningssværd og -kæder kan medføre brud på kæden og/eller tilbageslag.
 - Følg fabrikantens anvisninger for slibning og vedligeholdelse af savkæden. Mindskning af dybdemålerhøjden kan føre til øget tilbageslag.
13. **Kontroller inden arbejdet påbegyndes, at kædesaven er i korrekt arbejdstilstand, og at dens tilstand opfylder betingelserne i sikkerhedsregulativerne. Kontroller specielt at:**
 - Kædebremsen fungerer ordentligt,
 - Stopbremsen fungerer ordentligt,
 - Sværdet og kædehjulsdækslet er korrekt monteret,
 - Kæden er blevet skærpet og spændt i overensstemmelse med regulativerne.
 14. **Start ikke kædesaven med kædedækslet monteret.** Hvis kædesaven startes med kædedækslet monteret, kan det bevirke, at kædedækslet slynges fremad med tilskadekomst og skade på genstande omkring operatøren til følge.

Specifikke sikkerhedsadvarsler for kædesave med et øverste håndtag

1. **Denne kædesav er specielt udviklet til vedligeholdelse af træer og trækirurgi. Kædesaven er kun beregnet til brug af korrekt oplærte personer. Overhold alle instruktioner, fremgangsmåder og anbefalinger fra den relevante professionelle organisation. I modsat fald kan der ske dødsulykker. Det anbefales altid at anvende en hævet platform (kran, lift) ved savning i træer. Rappellingsteknikker er ekstremt farlige og kræver særlig uddannelse. Operatørerne skal være uddannet, så de er bekendt med brugen af sikkerhedsudstyr og klatreteknikker. Brug altid de korrekte bæltter, reb og karabinhager ved arbejde i træer. Brug altid fastgørelsesudstyr til både operatøren og saven.**
2. **Udfør rengøring og vedligeholdelse før opbevaring i overensstemmelse med brugsanvisningen.**
3. **Kontroller, at kædesaven er placeret sikkert ved transport i bil, for at undgå lækage af brændstof eller kædeolie, beskadigelse af maskinen og personskaade.**
4. **Kontroller regelmæssigt, at kædebremsen fungerer.**

5. **Påfyld ikke kædeolie i nærheden af ild. Ryg aldrig, mens du påfylder kædeolie.**
6. **National lovgivning begrænser muligvis brugen af kædesaven.**
7. **Hvis udstyret udsættes for hårde stød, eller det tabes, skal du kontrollere dets tilstand, før du fortsætter med arbejdet. Tjek kontrolelementerne og sikkerhedselementerne for fejl. Hvis der er nogen beskadigelse eller tvivl, skal du bede vores autoriserede servicecenter om at udføre inspektion og reparation.**
8. **Aktiver altid kædebremsen, før du starter kædesaven.**
9. **Hold saven fast på plads for at undgå, at saven skøjter (glidende bevægelse) eller hopper, når du starter et snit.**
10. **Ved af slutningen af snittet skal du omhyggeligt sørge for at opretholde balancen på grund af "faldet".**
11. **Tag højde for vindretningen og -hastigheden. Undgå savsmuld og kædeoliestøv.**

Beskyttelsesudstyr

1. **For at undgå hoved-, øjen-, hånd- eller fodskader samt for at beskytte din hørelse skal du bære følgende beskyttelsesudstyr ved brug af kædesaven:**
 - Typen af beklædning bør være passende, dvs. det skal være stramtsiddende, men ikke hæmmende. Undlad at bære smykker eller tøj, der kan vikle sig ind i buske eller krat. Bær altid hårnet, hvis du har langt hår!
 - Der skal altid bæres sikkerhedshjelm, når du arbejder med kædesaven. **Sikkerhedshjelm** skal regelmæssigt kontrolleres for beskadigelse og skal udskiftes senest efter 5 år. Brug kun godkendte sikkerhedshjelme.
 - Sikkerhedshjelmens **ansigtsskærm** (eller beskyttelsesbrillerne) beskytter dig mod savsmuld og træspåner. Bær altid beskyttelsesbriller eller ansigtsskærm, når du bruger kædesaven, for at undgå øjenskader.
 - Bær passende **udstyr til beskyttelse mod støj** (øremuffer, ørepropper osv.)
 - **Beskyttelsesjakken** består af 22 lag nylon og beskytter operatøren mod snitsår. Den skal altid bæres, når du arbejder fra platforme i højden (kraner, lifte), fra platforme, der er monteret på stiger, eller når du klatrer med reb.
 - De **beskyttende overallbukser** er fremstillet af nylon tøj med 22 lag og beskytter mod snitsår. Vi anbefaler kraftigt brug af disse.
 - **Beskytteshandsker** fremstillet af kraftigt læder er en del af det anbefalede udstyr og skal altid bæres ved brug af kædesaven.
 - Under brug af kædesaven skal der altid bæres **sikkerhedssko** eller **sikkerhedsstøvler** med skridsikre såler, stålsnuder og benbeskyttelse. Sikkerhedssko, der er forsynet med et beskyttelseslag, yder beskyttelse mod snitsår og sørger for sikker fodfæste. Ved arbejde i træer skal sikkerhedsstøvlerne være egnede til klatreteknik.

Vibration

1. Personer med dårligt blodomløb, der udsættes for kraftige vibrationer, kan risikere beskadigelse af blodkar eller nervesystemet. Vibrationer kan medføre følgende symptomer i fingre, hænder eller håndled: "Sovende" led (følelsesløshed), prikken, smerte, stikkende fornemmelse, ændring af hudfarven eller af huden. **Søg læge, hvis nogen af disse symptomer opstår!** For at undgå risiko for "hvide fingre" skal du holde dine hænder varme under brugen og holde udstyret og tilbehøret i god stand.

GEM DENNE BRUGSANVISNING.

⚠ ADVARSEL: LAD IKKE bekvemmelighed eller kendskab til produktet (opnået gennem gentagen brug) forhindre, at sikkerhedsforskrifterne for produktet nøje overholdes. MISBRUG eller forsømmelse af at følge de i denne brugsvejledning givne sikkerhedsforskrifter kan føre til, at De kommer alvorligt til skade.

Vigtige sikkerhedsinstruktioner for akkuen

1. Læs alle instruktioner og advarselmærkater på (1) akku-opladeren, (2) akkuen og (3) produktet, som anvender akku.
2. Lad være med at skille akkuen ad.
3. Hold straks op med anvendelsen, hvis brugstiden er blevet stærkt afkortet. Fortsat anvendelse kan resultere i risiko for overophedning, forbrændinger og endog eksplosion.
4. Hvis De har fået elektrolytvæske i øjnene, skal De straks skylle den ud med rent vand og derefter øjeblikkeligt søge lægehjælp. I modsat fald kan De miste synet.
5. Vær påpasselig med ikke at komme til at kortslutte akkuen:
 - (1) Rør ikke ved terminalerne med noget ledende materiale.
 - (2) Undgå at opbevare akkuen i en beholder sammen med andre genstande af metal, for eksempel søm, mønter og lignende.
 - (3) Udsæt ikke akkuen for vand eller regn. Kortslutning af akkuen kan forårsage en kraftig øgning af strømmen, overophedning, mulige forbrændinger og endog værktøjstop.

6. Opbevar ikke værktøjet og akkuen på et sted, hvor temperaturen kan nå eller overstige 50 °C.
7. Lad være med at brænde akkuen, selv ikke i tilfælde, hvor den har lidt alvorlig skade eller er fuldstændig udtjent. Akkuen kan eksplodere, hvis man forsøger at brænde den.
8. Lad være med at brænde akkuen eller udsætte den for stød.
9. Anvend ikke en beskadiget akku.
10. De indbyggede litium-ion-batterier er underlagt lovkrav vedrørende farligt gods. Ved kommerciel transport, f.eks. af tredjeparts transportselskaber, skal særlige krav til forpakning og mærkning overholdes. Ved forberedelse af udstyret til forsendelse skal du kontakte en ekspert i farligt gods. Overhold også eventuel mere detaljeret national lovgivning. Tape eller tildæk åbne kontakter, og pak batteriet på en måde, så det ikke kan flytte sig rundt i pakningen.
11. Følg de lokale love vedrørende bortskaffelsen af batterier.
12. Brug kun batterierne med de produkter, som Makita specificerer. Hvis batterierne installeres i ikke-kompatible produkter, kan det medføre brand, kraftig varme, eksplosion eller udsivning af elektrolyt.

GEM DENNE BRUGSANVISNING.

⚠ FORSIGTIG: Brug kun originale batterier fra Makita. Brug af uoriginale Makita-batterier, eller batterier som er blevet ændret, kan muligvis medføre brud på batteriet, hvilket kan forårsage brand, personskade eller beskadigelse. Det ugyldiggør også Makita-garantien for Makita-maskinen og opladeren.

Tips til opnåelse af maksimal akku-levetid

1. Oplad akkuen, inden den er helt afladet. Stop altid værktøjet, og oplad akkuen, hvis De bemærker, at værktøjeffekten er aftagende.
2. Genoplad aldrig en fuldt opladet akku. Overopladning vil afkorte akkuens levetid.
3. Oplad akkuen ved stuetemperatur ved 10 °C - 40 °C. Lad altid en varm akku få tid til at køle af, inden den oplades.
4. Oplad akkuen, hvis De ikke skal bruge den i længere tid (mere end seks måneder).

BESKRIVELSE AF DELENE

► Fig.2

1	Afbryderknap	2	Øverste håndtag	3	Låsehåndtag
4	Frontkappe	5	Sværd	6	Savkæde
7	Kædefanger	8	Holdemøtrik	9	Kædejusteringsskrue
10	Spånguide	11	Akku	12	Hovedstrømlampe
13	Hovedafbryder	14	Justeringskrue (til oliepumpe)	15	Karabinhage
16	Forreste håndtag	17	Olietankdæksel	18	Sværdbeskytter

FUNKTIONSBESKRIVELSE

⚠️ FORSIGTIG: Sørg altid for at maskinen er slukket, og at akkuen er taget ud, før der udføres justering eller kontrol af funktioner på maskinen.

Isætning eller fjernelse af akkuen

⚠️ FORSIGTIG: Sluk altid for værktøjet, før De monterer eller fjerner akkuen.

⚠️ FORSIGTIG: Hold værktøjet og akkuen fast ved montering eller fjernelse af akkuen. Hvis De ikke holder værktøjet og akkuen fast, kan de glide ud af hænderne på Dem og forårsage beskadigelse af værktøjet og akkuen eller personskade.

► **Fig.3:** 1. Rød indikator 2. Knap 3. Akku

Akkuen fjernes ved, at De trækker den ud af værktøjet, idet De skyder knappen på forsiden af akkuen i stilling.

Akkuen monteres ved, at De sætter tungen på akkuen ud for noten i kabinettet og lader den glide på plads. Sæt den hele vejen ind, så den låses på plads med et lille klik. Hvis den røde indikator på oversiden af knappen er synlig, betyder det, at den ikke er tilstrækkeligt låst.

⚠️ FORSIGTIG: Monter altid akkuen helt, indtil den røde indikator ikke længere er synlig. Hvis dette ikke gøres, kan den falde ud af værktøjet ved et uheld, hvorved De selv eller personer i nærheden kan komme til skade.

⚠️ FORSIGTIG: Brug ikke magt ved montering af akkuen. Hvis akkuen ikke glider på plads uden problemer, betyder det, at den ikke sættes i på korrekt vis.

Indikation af den resterende batteriladning

Kun til akkuer med indikatoren

► **Fig.4:** 1. Indikatorlamper 2. Kontrolknap

Tryk på kontrolknappen på akkuen for at få vist den resterende batteriladning. Indikatorlampen lyser i nogle sekunder.

Indikatorlamper			Resterende ladning
Tændt	Slukket	Blinker	
■	□	◐	75% til 100%
■	■	■	
■	■	□	50% til 75%
■	□	□	25% til 50%
■	□	□	0% til 25%
◐	□	□	Genoplad batteriet.
■	■	□	Der er muligvis fejl i batteriet.
□	□	■	

BEMÆRK: Afhængigt af brugsforholdene og den omgivende temperatur kan indikationen afvige en smule fra den faktiske ladning.

Beskyttelsessystem til værktøj/batteri

Maskinen er udstyret med et beskyttelsessystem til maskinen/batteriet. Dette system afbryder automatisk strømmen til motoren for at forlænge maskinens og batteriets levetid. Maskinen stopper automatisk under brugen, hvis maskinen eller batteriet udsættes for et af følgende forhold:

Overbelastningsbeskyttelse

Hvis batteriet anvendes på en måde, der bevirker, at det forbruger en unormal mængde strøm, vil maskinen automatisk stoppe, og hovedstrømlampen blinker grøn. I denne situation skal du slukke for maskinen og stoppe den anvendelse, som bevirkede, at maskinen blev overbelastet. Start derefter maskinen igen ved at tænde for den.

Beskyttelse mod overophedning

Hvis maskinen eller batteriet er overophedet, stopper maskinen automatisk, og hovedstrømlampen lyser rødt. Lad i så fald maskinen og batteriet køle ned, før der tændes for maskinen igen.

BEMÆRK: Under forhold med høje temperaturer vil beskyttelsen mod overophedning sandsynligvis fungere, og maskinen stopper automatisk.

Beskyttelse mod overafledning

Hvis batteriladningen er for lav, stopper maskinen automatisk, og hovedstrømlampen blinker rødt. Tag i så fald batteriet ud af maskinen, og lad batteriet op.

Hovedafbryder

⚠️ ADVARSEL: Sluk altid for hovedafbryderen, når maskinen ikke bruges.

Hvis du vil tænde for maskinen, skal du trykke på hovedafbryderen, indtil hovedstrømlampen lyser grønt. Tryk på hovedafbryderen igen for at slukke.

► **Fig.5:** 1. Hovedstrømlampe 2. Hovedafbryder

BEMÆRK: Hovedstrømlampen blinker grønt, hvis der trykkes på afbryderknappen under forhold, hvor maskinen ikke kan anvendes. Lampen blinker under et af følgende forhold.

- Hvis du tænder for hovedafbryderen, mens lås fra-håndtaget og afbryderknappen holdes nede.
- Hvis du trykker på afbryderknappen, mens kædebremsen er aktiveret.
- Hvis du slipper kædebremsen, mens lås fra-håndtaget holdes nede, og der trykkes på afbryderknappen.

BEMÆRK: Denne kædesav har en funktion til automatisk slukning. For at undgå utilsigtet start slukker hovedafbryderen automatisk, når der ikke trykkes på afbryderknappen i en vis periode, efter at der tændes for hovedafbryderen.

Du kan bruge maskinen i tilstand med øget drejningsmoment for at skære i tykke grene eller hårde grene. Hvis du vil bruge maskinen i tilstand med øget drejningsmoment, skal du trykke på hovedafbryderen i nogle sekunder, mens der er slukket for maskinen, indtil hovedstrømlampen lyser gult.

BEMÆRK: Du kan bruge maskinen i tilstand med øget drejningsmoment i op til 30 sekunder. Afhængigt af brugsforholdene skifter denne tilstand til normal tilstand i løbet af mindre end 30 sekunder.

BEMÆRK: Hvis hovedstrømlampen blinker gult, når du trykker på hovedafbryderen i nogle sekunder, er tilstand med øget drejningsmoment ikke tilgængelig. Følg i så fald nedenstående trin.

- Tilstand med øget drejningsmoment er ikke tilgængelig umiddelbart efter en skæring. Vent i mindst 10 sekunder, og tryk derefter på hovedafbryderen igen.
- Hvis du bruger tilstand med øget drejningsmoment adskillige gange, begrænses brugen af tilstand med øget drejningsmoment for at beskytte batteriet. Hvis tilstand med øget drejningsmoment ikke er tilgængelig, efter at du har ventet i mere end 10 sekunder, skal du udskifte akkuen med en, der er fuldt opladet, eller genoplade akkuen.

BEMÆRK: Hvis hovedstrømlampen lyser rødt, eller den blinker rødt eller grønt, skal du se i instruktionerne til beskyttelsessystemet til maskinen/batteriet.

BEMÆRK: Tilstand med øget drejningsmoment kan ikke bruges, hvis akku BL1815N, BL1820 eller BL1820B er installeret.

Afbryderbetjening

⚠ ADVARSEL: Af hensyn til din sikkerhed er maskinen forsynet med et låsehåndtag, der forhindrer, at maskinen starter ved et uheld. Brug ALDRIG maskinen, hvis den kører, når du trykker på afbryderknappen uden at trykke på låsehåndtaget. Indlever maskinen til vores autoriserede servicecenter til korrekt reparation, FØR den benyttes igen.

⚠ ADVARSEL: Brug ALDRIG tape til at fastgøre aflåsehåndtaget eller på anden måde omgå dets formål og funktion.

⚠ FORSIGTIG: Inden akkuen sættes i maskinen, bør De altid kontrollere, at afbryderknappen fungerer korrekt, og returnerer til "OFF"-positionen, når den slippes.

BEMÆRKNING: Tryk ikke hårdt på afbryderknappen uden at trykke på aflåsehåndtaget. Dette kan forårsage afbryderbeskadigelse.

For at forhindre, at der trykkes på afbryderknappen ved et uheld, er den forsynet med et lås fra-håndtag. Maskinen startes ved at trykke på lås fra-håndtaget ned og trykke på afbryderknappen. Maskinens hastighed øges ved at trykke hårdere på afbryderknappen. Slip afbryderknappen for at stoppe.

► Fig.6: 1. Afbryderknapp 2. Låsehåndtag

Kontrol af kædebremsen

⚠ FORSIGTIG: Hold kædesaven med begge hænder, når du starter den. Hold det øverste håndtag med højre hånd og det forreste håndtag med venstre hånd. Sværdet og kæden må ikke være i berøring med nogen genstand.

⚠ FORSIGTIG: Hvis savkæden ikke stopper umiddelbart, når denne test udføres, må saven ikke under nogen omstændigheder anvendes. Kontakt vores autoriserede servicecenter.

1. Tryk først på låsehåndtaget, og tryk derefter på afbryderknappen. Savkæden starter øjeblikkeligt.

2. Skub frontkappen fremad med håndryggen. Kontroller, at savkæden stopper umiddelbart.

► Fig.7: 1. Frontkappe 2. Ulåst position 3. Låst position

Kontrol af stopbremsen

⚠ FORSIGTIG: Hvis savkæden ikke stopper inden for to sekunder, når denne test udføres, skal du holde op med at bruge kædesaven og kontakte vores autoriserede servicecenter.

Lad kædesaven køre, og slip derefter afbryderknappen helt. Savkæden skal være helt stoppet inden for to sekunder.

Justering af kædesmøringen

Du kan justere oliepumpens fremføringsforhold med justeringsskruen ved hjælp af universalnøglen. Mængden af olie kan justeres i 3 trin.

► Fig.8: 1. Justeringsskrue

Karabinhage (sted til fastgørelse af reb)

Du kan hænge maskinen op ved at fastgøre rebet til karabinhagen. Træk karabinhagen op, og bind den med rebet.

Elektronisk funktion

Maskinen er udstyret med elektroniske funktioner for nem betjening.

- Blød start
Funktionen til blød start minimerer stødet ved start og får maskinen til at starte blødt.

SAMLING

⚠ FORSIGTIG: Sørg altid for at maskinen er slukket, og at akkuen er taget ud, før der udføres noget arbejde på maskinen.

⚠ FORSIGTIG: Undlad at berøre savkæden med bare hænder. Bær altid beskyttelseshandsker, når du håndterer savkæden.

Afmontering eller montering af savkæden

⚠️ FORSIGTIG: Savkæden og sværdet er stadig varme lige efter brugen. Lad dem køle tilstrækkeligt af, inden der udføres noget arbejde på maskinen.

⚠️ FORSIGTIG: Udfør proceduren med at montere eller fjerne savkæden på et rent sted uden savsmuld og lignende.

For at fjerne savkæden skal du udføre følgende trin:

1. Frigør kædebremsen ved at trække i frontkappen.
2. Løsn kædejusteringsskruen og derefter holdemøtrikken.

► **Fig.9:** 1. Kædejusteringsskrue 2. Holdemøtrik

3. Fjern kædehjulsdækslet, og fjern derefter savkæden og sværdet fra kædesavens karosseri.

For at montere savkæden skal du udføre følgende trin:

1. Kontroller savkædens retning. Tilpas savkædens retning med retningen på mærket på kædesavens karosseri.

2. Sæt den ene ende af savkæden på toppen af sværdet.

3. Monter den anden ende af savkæden omkring kædehjulet, og monter derefter sværdet på kædesavens karosseri, idet du justerer hullet på sværdet i forhold til stiftene på kædesavens karosseri.

► **Fig.10:** 1. Kædehjul 2. Hul

4. Sæt fremspringet på kædehjulsdækslet på kædesavens karosseri, og luk derefter dækslet, så boltene og stifterne på kædesavens karosseri møder modparterne på dækslet.

► **Fig.11:** 1. Fremspring 2. Kædehjulsdæksel 3. Bolt 4. Stift

5. Tilspænd holdemøtrikken for at fastgøre kædehjulsdækslet, og løsn den derefter en smule for at justere spændingen.

► **Fig.12:** 1. Holdemøtrik

Justering af savkædens spænding

⚠️ FORSIGTIG: Stram ikke savkæden for meget. Ekstrem høj spænding af savkæden kan forårsage brud på savkæden, slitage af sværdet og brud på justeringsdrejeknappen.

⚠️ FORSIGTIG: En kæde, der er for løs, kan hoppe af sværdet, og den kan forårsage en ulykke med tilskadekomst.

Savkæden kan blive løs efter mange timers brug. Kontroller fra tid til anden savkædens spænding inden brug.

1. Frigør kædebremsen ved at trække i frontkappen.
2. Løsn holdemøtrikken en smule for at løsne kædehjulsdækslet let.

► **Fig.13:** 1. Holdemøtrik

3. Løft spidsen på sværdet en smule op, og juster kædens spænding. Drej kædejusteringsskruen med uret for at stramme den, drej den mod uret for at løsne den.

For kædeblad 90PX og 91PX:

Stram savkæden, indtil den nederste side af savkæden passer ind i sværdkanten som vist.

- **Fig.14:** 1. Sværd 2. Savkæde
3. Kædejusteringsskrue

For kædeblad 25AP:

Stram savkæden, så afstanden mellem midten af den nederste side af sværdet og savkæden er cirka 1 mm til 2 mm.

4. Hold fortsat sværdet let, og stram kædehjulsdækslet.

For kædeblad 90PX og 91PX:

Sørg for, at savkæden ikke sidder løs på den nederste side.

For kædeblad 25AP:

Sørg for, at afstanden mellem midten af den nederste side af sværdet og savkæden er cirka 1 mm til 2 mm.

5. Stram holdemøtrikken for at fastgøre kædehjulsdækslet.

► **Fig.15:** 1. Holdemøtrik

Sørg for, at savkæden sidder tæt mod sværdets nederste side.

Barkstøtte

Ekstraudstyr

Ved skæring af tykke grene anbefales det at bruge barkstøtten. Udfør følgende trin for at montere barkstøtten:

1. Fjern kædehjulsdækslet, savkæden og sværdet.
2. Juster hullerne på barkstøtten i forhold til hullerne på kædesavens karosseri, og stram derefter skruerne fast til.

► **Fig.16:** 1. Skruer 2. Barkstøtte

ANVENDELSE

Smøring

Savkæden smøres automatisk, når maskinen er i brug. Kontroller regelmæssigt mængden af tilbageværende olie i olietanken gennem olieskueglasset.

For at fylde tanken op skal du lægge kædesaven på siden og tage olietankdækslet af. Den korrekte mængde olie er 140 ml. Når tanken er fyldt op, skal du sikre dig, at olietankdækslet er strammet fast til.

► **Fig.17:** 1. Olietankdæksel 2. Olieskueglas

Hold kædesaven væk fra træet efter påfyldningen. Start den, og vent, indtil der er tilstrækkeligt smøremiddel på savkæden.

► **Fig.18**

BEMÆRKNING: Når der påfyldes kædeolie for første gang, eller tanken fyldes op igen, efter at den er blevet helt tom, skal der påfyldes olie op til bundkanten af påfyldningsstudsden. Ellers kan olieforureningen blive hindret.

BEMÆRKNING: Brug en savkædeolie, der udelukkende er beregnet til Makita-kædesave, eller tilsvarende olie, som fås i handelen.

BEMÆRKNING: Anvend aldrig olie, som indeholder snavs og partikler, eller flygtig olie.

BEMÆRKNING: Ved beskæring af træer skal der anvendes planteolie. Mineralsk olie kan skade træerne.

BEMÆRKNING: Kontroller inden skæringen, at det medfølgende olietankdæksel er skruet på plads.

ARBEJDE MED KÆDESAVEN

⚠FORSIGTIG: Førstegangsbrugeren bør som minimum øve sig på at skære bjælker på en savbuk eller et stativ.

⚠FORSIGTIG: Ved savning af forhåndsskåret tømmer, skal der anvendes en sikker støtte (savgbuk eller stativ). Støt ikke arbejdsstykket med foden, og lad ikke andre holde eller støtte det.

⚠FORSIGTIG: Beskyt runde stykker mod rotation.

⚠FORSIGTIG: Hold alle kropsdele væk fra savkæden, når motoren er i gang.

⚠FORSIGTIG: Hold fast på kædesaven med begge hænder, når motoren kører.

⚠FORSIGTIG: Stræk dig ikke for langt. Sørg hele tiden for sikkert fodfæste og balance.

BEMÆRKNING: Du må aldrig kaste eller tabe maskinen.

BEMÆRKNING: Undlad at tildække maskinens ventilationsåbninger.

Beskæring af træer

Bring kædesavens karosseri i kontakt med den gren, der skal skæres, inden du tænder for saven. Ellers kan sværde rokke med tilskadekomst af operatøren som resultat. Sav det træ, der skal skæres, ved blot at flytte den ned ved at benytte kædesavens vægt.

► Fig.19

Hvis man ikke kan skære igennem tømmeret i et enkelt strøg: Udøv et let tryk på håndtaget, og fortsæt med at save, og træk kædesaven en smule tilbage.

► Fig.20

Ved skæring af tykke grene skal du først lave en smal underskåren rille og derefter foretage det færdige snit fra toppen.

► Fig.21

Hvis du forsøger at skære tykke grene af nedefra, kan grenen lukke omkring den og klemme savkæden fast i snittet. Hvis du forsøger at skære tykke grene af oppefra uden en smal underskåren rille, kan grenen splintres.

► Fig.22

Skæring i træstammer

1. Hvil kædesavens karosseri mod det træ, der skal skæres.

► Fig.23

2. Lad savkæden køre, og sav ned i træet, idet du bruger det øverste håndtag til at løfte saven og det forreste til at styre den.

3. Fortsæt snittet ved at udøve et let tryk på det øverste håndtag og trække saven let tilbage.

BEMÆRKNING: Sluk for kædesaven mellem snittene, hvis du laver flere snit.

⚠FORSIGTIG: Hvis den øverste kant af sværde bruges til at skære, kan kædesaven blive slynget mod dig selv, hvis kæden kommer i klemme. Skær derfor med den nederste kant, så saven i givet fald slynges væk fra dig.

► Fig.24

Når du skærer i træ, der ligger i spænd, skal der først skæres på tryksiden (A). Foretag derefter det sidste snit fra spændsiden (B). Dette forhindrer, at sværde kommer i klemme.

► Fig.25

Afgrening

⚠FORSIGTIG: Afgrening må kun udføres af træede personer. Risikoen for tilbageslag udgør en fare.

Ved afgrening skal kædesaven så vidt muligt understøttes på stammen. Skær ikke med spidsen af sværde, da dette medfører risiko for tilbageslag.

Vær især opmærksom på grene, der ligger i spænd.

Skær ikke grene, der ikke er understøttet, nedefra.

Stå ikke på det fældede træ, mens du afgrener.

Bæring af maskinen

Før du bærer maskinen, skal du altid aktivere kædebremsen og fjerne akkuerne fra maskinen. Monter derefter sværdebeskytteren. Dæk ligeledes akkuen med batteridækslet.

► Fig.26: 1. Sværdebeskytter 2. Batteridæksel

VEDLIGEHODELSE

⚠FORSIGTIG: Vær altid sikker på, at værktøjet er slukket, og at akkuen er taget ud, inden De begynder at udføre inspektion eller vedligeholdelse.

⚠FORSIGTIG: Bær altid beskyttelseshandsker, når der udføres eftersyn eller vedligeholdelse.

BEMÆRKNING: Anvend aldrig benzin, rensebenzin, fortynder, alkohol og lignende. Det kan medføre misfarvning, deformation eller revner.

For at opretholde produktets SIKKERHED og PÅLIDELIGHED må reparation, vedligeholdelse eller justering kun udføres af et autoriseret Makita servicecenter eller fabrikkervicecenter med anvendelse af Makita reservedele.

Slibning af savkæden

Slib savkæden, når:

- Der frembringes melet savsmuld, når der skæres i fugtigt træ,
- Kæden kun gennemskærer træet med besvær, selv hvis der anvendes et kraftigt tryk,
- Skærekanten er tydeligt beskadiget,
- Saven trækker til venstre eller højre i træet. (forårsaget af urensartet slibning af savkæden eller beskadigelse af kun den ene side)

Slib savkæden hyppigt, men kun en smule ad gangen. To eller tre strøg med en fil er sædvanligvis tilstrækkeligt til at udføre en almindelig slibning. Når savkæden er blevet slebet adskillige gange, skal den slibes på vores autoriserede servicecenter.

Slibningskriterier:

⚠ ADVARSEL: For stor afstand mellem skærekant og dybdemåleren forøger risikoen for tilbageslag.

- **Fig.27:** 1. Skærerlængde 2. Afstand mellem skærekant og dybdemåler 3. Mindste skærerlængde (3 mm)

- Alle skærerlængder skal være ens. Forskellige skærerlængder vil forhindre savkæden i at køre ubesværet og kan forårsage, at savkæden brækker.
- Slib ikke kæden, når der er nået en skærerlængde på 3 mm eller derunder. Kæden skal udskiftes med en ny.
- Savspånstykkelser bestemmes af afstanden mellem dybdemåleren (rund næse) og skærekanten.
- De bedste skærerresultater opnås med følgende afstand mellem skærekanten og dybdemåleren.
 - Kædeblad 90PX: 0,65 mm
 - Kædeblad 91PX: 0,65 mm
 - Kædeblad 25AP: 0,65 mm

► Fig.28

- Slibningsvinklen på 30° skal være den samme på alle skærere. Forskellige skærevinkler medfører, at kæden kører ujævnt og uensartet, fremskynder slitage og medfører, at kæden brækker.
- Brug en passende rund fil, så den korrekte slibningsvinkel holdes mod tænderne.
 - Kædeblad 90PX: 55°
 - Kædeblad 91PX: 55°
 - Kædeblad 25AP: 55°

Fil og korrekt anvendelse af fil

- Anvend en speciel rund fil (ekstraudstyr) til savkæder til at skærpe kæden. Almindelige runde filer er ikke egnede.
- Diameter på den runde fil for hver savkæde er som følger:
 - Kædeblad 90PX: 4,5 mm
 - Kædeblad 91PX: 4,0 mm
 - Kædeblad 25AP: 4,0 mm
- Filen bør kun være i kontakt med skæreren ved fremadstrøget. Hæv filen fra skæreren ved returstrøget.

- Slib den korteste skærer først. Længden af denne korteste skærer bliver standard for alle skærende led på savkæden.

- Før filen som vist på illustrationen.

► Fig.29: 1. Fil 2. Savkæde

- Det er nemmere at føre filen, hvis der anvendes en filholder (ekstraudstyr). Filholderen har afmærkninger til den korrekte slibningsvinkel på 30° (sæt afmærkningerne parallelt med savkæden) og begrænser dybden af gennemskæringen (til 4/5 af fildiameteren).

► Fig.30: 1. Filholder

- Kontroller, når kæden er skærpet, højden af dybdemåleren ved hjælp af kædemålerværktøjet (ekstraudstyr).

► Fig.31

- Fjern alt fremspringende materiale, hvor småt det end måtte være, ved hjælp af en speciel flad fil (ekstraudstyr).
- Afrund forsiden af dybdemåleren igen.

Rengøring af sværdet

Spåner og savsmuld samler sig i sværdillen. De kan tilstoppe sværdillen og hindre oliestrømningen. Fjern altid spåner og savsmuld, hver gang du sliber eller udskifter savkæden.

► Fig.32

Rengøring af kædehjulsdækslet

Spåner og savsmuld samler sig inde i kædehjulsdækslet. Fjern kædehjulsdækslet og savkæden fra maskinen, og fjern derefter spåner og savsmuld.

► Fig.33

Rengøring af olieudløbshullet

Små støv- og andre partikler kan samle sig i olieudløbshullet under arbejdet. Dette støv og andre partikler kan forringe oliestrømmen og medføre en utilstrækkelig smøring af hele savkæden. Rengør olieudløbshullet som vist herunder, hvis oliestrømmen er for svag ved toppen af sværdet.

1. Fjern kædehjulsdækslet og savkæden fra maskinen.
2. Fjern mindre støvdannelse eller partikler ved hjælp af en kærnskruetrækker med et smalt skaft eller lignende.

► Fig.34: 1. Kærnskruetrækker 2. Olieudløbshul

3. Sæt akkuen i maskinen. Tryk på afbryderknappen for at fjerne akkumulerede støv- og andre partikler fra olieudløbshullet ved at lade kædeolie flyde ud.

4. Tag akkuen ud af maskinen. Monter kædehjulsdækslet og savkæden på maskinen igen.

Udskiftning af kædehjulet

⚠ FORSIGTIG: Et udtjent kædehjul vil beskadige en ny savkæde. I så fald skal kædehjulet skiftes ud med et nyt.

Kontroller kædehulets tilstand, inden en ny savkæde monteres.

► **Fig.35:** 1. Kædehjul 2. Områder, der slides

Sæt altid en ny låsering på, når kædehjulet skiftes ud.

► **Fig.36:** 1. Låsering 2. Kædehjul

BEMÆRKNING: Kontroller, at kædehjulet er installeret som vist på figuren.

Opbevaring af maskinen

1. Rengør maskinen, inden den lægges til opbevaring. Fjern alle spåner og savsmuld fra maskinen, efter at kædehjulsdækslet er taget af.
2. Når maskinen er rengjort, skal den køres uden belastning for at smøre savkæden og sværdet.
3. Dæk sværdet med sværdbeskytteren.
4. Tøm olietanken.

Vejledning i periodisk vedligeholdelse

For at sikre en lang levetid, undgå skader og sikre, at sikkerhedsanordningerne fungerer fuldt ud, skal følgende vedligeholdelse udføres regelmæssigt. Garantikrav godtages kun, hvis dette arbejde er blevet udført regelmæssigt og korrekt. Såfremt den foreskrevne vedligeholdelse ikke udføres, kan det medføre ulykker! Brugeren af kædesaven bør ikke udføre vedligeholdelsesarbejde, der ikke er beskrevet i denne brugsvejledning. Alt sådant arbejde bør udelukkende udføres af vores autoriserede servicecenter.

Kontrolpunkt / Driftstid		Før brug	Hver dag	Hver uge	Hver 3. måned	Årligt	Før opbevaring
Kædesav	Inspektion.	✓	-	-	-	-	-
	Rengøring.	-	✓	-	-	-	-
	Kontrolleres på autoriseret servicecenter.	-	-	-	-	✓	✓
Savkæde	Inspektion.	✓	-	-	-	-	-
	Skærpes om nødvendigt.	-	-	-	-	-	✓
Sværd	Inspektion.	✓	✓	-	-	-	-
	Fjern fra kædesaven.	-	-	-	-	-	✓
Kædebremse	Kontroller, at den virker.	✓	-	-	-	-	-
	Få den regelmæssigt kontrolleret på autoriseret servicecenter.	-	-	-	✓	-	-
Smøring af kæden	Kontroller olietilførslen.	✓	-	-	-	-	-
Afbryderknop	Inspektion.	✓	-	-	-	-	-
Låsehåndtag	Inspektion.	✓	-	-	-	-	-
Olietankdæksel	Kontroller spændingen.	✓	-	-	-	-	-
Kædefanger	Inspektion.	-	-	✓	-	-	-
Skruer og møtrikker	Inspektion.	-	-	✓	-	-	-

FEJLFINDING

Udfør selv en inspektion, inden De anmoder om reparation. Hvis De opdager et problem, som ikke er forklaret i brugsanvisningen, må De ikke forsøge at adskille maskinen. Rådfør Dem i stedet med et autoriseret Makita Servicecenter, og brug altid originale Makita udskiftningsdele til reparationer.

Fejl	Årsag	Løsning
Kædesaven starter ikke.	Akkuen er ikke indsat.	Indsæt en opladet akku.
	Akku-problem (lav spænding).	Genoplad akkuerne. Udskift akkuen, hvis genopladning ikke løser problemet.
	Hovedafbryderen er slået fra.	Der slukkes automatisk for kædesaven, hvis den ikke betjenes i en vis periode. Tænd for hovedafbryderen igen.
Savkæden kører ikke.	Kædebremsen er aktiveret.	Frigør kædebremsen.
Motoren holder op med at køre efter kort tids brug.	Akkuens opladningsniveau er lavt.	Genoplad akkuerne. Udskift akkuen, hvis genopladning ikke løser problemet.
Ingen olie på kæden.	Olietanken er tom.	Fyld olietanken.
	Olieføringssporet er snavset.	Rengør sporet.
	Dårlig olieefremføring.	Juster mængden af olieefremføringen med justeringsskruen.
Kædesaven når ikke op på maks. omdrejningshastighed.	Akkuen er sat forkert i.	Sæt akkuerne i som beskrevet i denne brugervejledning.
	Batteriladningen er faldende.	Genoplad akkuen. Udskift akkuen, hvis genopladning ikke løser problemet.
	Drivsystemet fungerer ikke korrekt.	Bed vores autoriserede servicecenter i dit område om reparation.
Hovedstrømlampen blinker grønt.	Der er trykket på afbryderknappen under forhold, hvor maskinen ikke kan anvendes.	Tryk på afbryderknappen, efter at der er tændt for hovedafbryderen, og kædebremsen er frigivet.
Kæden stopper ikke, selvom kædebremsen aktiveres: Stop omgående maskinen!	Bremsebåndet er nedslidt.	Bed vores autoriserede servicecenter i dit område om reparation.
Unormale vibrationer: Stop omgående maskinen!	Løst sværd eller savkæde.	Juster sværdets og savkædens spænding.
	Funktionsfejl på maskinen.	Bed vores autoriserede servicecenter i dit område om reparation.
Tilstand med øget drejningsmoment er ikke tilgængelig, efter at du har udskiftet akkuen med en, der er fuldt opladet.	Afhængigt af brugsforholdene er tilstand med øget drejningsmoment ikke tilgængelig efter udskiftning af akkuen.	Brug maskinen i normal tilstand, indtil den installerede akku bliver tom, og udskift derefter akkuen med en, der er fuldt opladet, eller genoplad akkuen.

EKSTRAUDSTYR

⚠FORSIGTIG: Det følgende tilbehør og ekstraudstyr er anbefalet til brug med Deres Makita maskine, der er beskrevet i denne brugsanvisning. Anvendelse af andet tilbehør eller ekstraudstyr kan udgøre en risiko for personskade. Anvend kun tilbehør og ekstraudstyr til det beskrevne formål.

Hvis De behøver hjælp ved valg af tilbehør eller ønsker yderligere informationer, bedes De kontakte Deres lokale Makita servicecenter.

- Savkæde
- Sværd
- Sværdbeskytter
- Kædehjul
- Barkstøtte
- Fil
- Værktøjspose
- Original Makita akku og oplader

⚠ADVARSEL: Hvis du køber et sværd af en anden længde end standardsværdet, skal du også købe en tilsvarende sværdbeskytter. Den skal passe til og helt dække sværdet på kædesaven.

BEMÆRK: Nogle ting på denne liste kan være inkluderet i værktøjsspakken som standardtilbehør. Det kan være forskellige fra land til land.

ΠΡΟΔΙΑΓΡΑΦΕΣ

Μοντέλο:		DUC204	DUC254	DUC254C
Ολικό μήκος (χωρίς κατευθυντήρια λάμα)		256 mm		
Ονομαστική τάση		D.C. 18 V		
Καθαρό βάρος		2,8 - 3,3 kg		
Μήκος στάνταρ κατευθυντήριας λάμας		200 mm	250 mm	
Συνιστώμενο μήκος κατευθυντήριας λάμας	με 90PX	200 - 250 mm		-
	με 91PX	-	250 mm	-
	με 25AP	-	-	250 mm
Εφαρμοσμένος τύπος αλυσίδας πριονιού (ανατρέξτε στον παρακάτω πίνακα)		90PX	90PX 91PX	25AP
Στάνταρ αλυσοτροχός	Αριθμός δοντιών	6		9
	Βήμα	3/8"		1/4"
Ταχύτητα αλυσίδας		0 - 24 m/s (0 - 1.440 m/min)		0 - 22,5 m/s (0 - 1.350 m/min)
Όγκος δοχείου λαδιού αλυσίδας		140 cm ³		

- Λόγω του συνεχιζόμενου προγράμματος έρευνας και ανάπτυξης, οι προδιαγραφές αυτές υπόκεινται σε αλλαγές χωρίς προειδοποίηση.
- Οι προδιαγραφές μπορεί να διαφέρουν ανάλογα με τη χώρα.
- Το βάρος μπορεί να διαφέρει ανάλογα με τα προσαρτήματα, συμπεριλαμβανοντας την κασέτα μπαταριών. Ο ελαφρύτερος και ο βαρύτερος συνδυασμός, σύμφωνα με τη διαδικασία ΕΡΤΑ 01/2014, παρουσιάζονται στον πίνακα.

Ισχύουσα κασέτα μπαταριών

BL1815N / BL1820 / BL1820B / BL1830 / BL1830B / BL1840 / BL1840B / BL1850 / BL1850B / BL1860B

- Ορισμένες από τις κασέτες μπαταριών που αναγράφονται παραπάνω ίσως να μην είναι διαθέσιμες, ανάλογα με την τοποθεσία κατοικίας σας.

⚠ ΠΡΟΕΙΔΟΠΟΙΗΣΗ: Να χρησιμοποιείτε μόνο τις κασέτες μπαταριών που παρατίθενται ανωτέρω. Η χρήση οποιασδήποτε άλλης κασέτας μπαταριών μπορεί να προκαλέσει τραυματισμό ή/και πυρκαγιά.

Συνδυασμός αλυσίδας πριονιού, κατευθυντήριας λάμας και αλυσοτροχός

Τύπος αλυσίδας πριονιού		90PX	
Αριθμός κινητήριων συνδέσμων		33	40
Κατευθυντήρια λάμα	Μήκος κατευθυντήριας λάμας	200 mm	250 mm
	Μήκος κοπής	180 mm	244 mm
	Βήμα	3/8"	
	Πάχος κινητήριων συνδέσμων	1,1 mm	
	Τύπος	Ράβδος πίεσης αλυσοτροχός	
Αλυσοτροχός	Αριθμός δοντιών	6	
	Βήμα	3/8"	

Τύπος αλυσίδας πριονιού		91PX	
Αριθμός κινητήριων συνδέσμων		40	
Κατευθυντήρια λάμα	Μήκος κατευθυντήριας λάμας	250 mm	
	Μήκος κοπής	244 mm	
	Βήμα	3/8"	
	Πάχος κινητήριων συνδέσμων	1,3 mm	
	Τύπος	Ράβδος πίεσης αλυσοτροχός	
Αλυσοτροχός	Αριθμός δοντιών	6	
	Βήμα	3/8"	

Τύπος αλυσίδας πριονιού		25AP
Αριθμός κινητήριων συνδέσμων		60
Κατευθυντήρια λάμα	Μήκος κατευθυντήριας λάμας	250 mm
	Μήκος κοπής	250 mm
	Βήμα	1/4"
	Πάχος κινητήριων συνδέσμων	1,3 mm
	Τύπος	Ράβδος λάξευσης
Αλυστροχός	Αριθμός δοντιών	9
	Βήμα	1/4"

ΕΙΔΟΠΟΙΗΣΗ: Όταν χρησιμοποιείτε αλυσίδα πριονιού 25AP, χρησιμοποιήστε την με τον αλυστροχό 9 (προαιρετικό εξάρτημα).

ΠΡΟΕΙΔΟΠΟΙΗΣΗ: Χρησιμοποιήστε τον κατάλληλο συνδυασμό της κατευθυντήριας λάμας και αλυσίδας πριονιού. Διαφορετικά, μπορεί να προκύψει προσωπικός τραυματισμός.

Σύμβολα

Παρακάτω παρουσιάζονται τα σύμβολα που χρησιμοποιούνται για τον εξοπλισμό. Βεβαιωθείτε ότι κατανοείτε τη σημασία τους πριν από τη χρήση.



Διαβάστε το εγχειρίδιο οδηγιών.



Φοράτε γυαλιά ασφαλείας.



Να φοράτε προστατευτικά αυτιών.



Να φοράτε κράνος ασφαλείας, προστατευτικά γυαλιά και ωτοασπίδες.



Να χρησιμοποιείτε κατάλληλη προστασία για πέλματα-κνήμες και χέρια-βραχίονες.



Αυτό το πριόνι προορίζεται για χρήση μόνο από σωστά εκπαιδευμένους χειριστές.



Μην εκθέτετε σε υγρασία.



Μέγιστο επιτρεπόμενο μήκος κοπής



Όταν χειρίζεστε το αλυσσπρίονο, να χρησιμοποιείτε πάντα και τα δύο χέρια σας.



Κατεύθυνση διαδρομής αλυσίδας



Ρύθμιση του λαδιού της αλυσίδας πριονιού



Μόνο για τις χώρες της ΕΕ
Μην απορρίπτετε ηλεκτρικό εξοπλισμό ή την μπαταρία μαζί με τα οικιακά απορρίμματα!
Σύμφωνα με τις Ευρωπαϊκές Οδηγίες για τον απόβλητο ηλεκτρικό και ηλεκτρονικό εξοπλισμό και τις μπαταρίες και συσσωρευτές και τις απόβλητες μπαταρίες και συσσωρευτές και την ενσωμάτωσή τους σύμφωνα με την εθνική νομοθεσία, ο ηλεκτρικός εξοπλισμός και η μπαταρία και τα πακέτα μπαταριών που έχουν φτάσει το τέλος ζωής τους πρέπει να συλλέγονται ξεχωριστά και να επιστρέφονται σε εγκαταστάσεις περιβαλλοντικά συμβατής ανακύκλωσης.

Προοριζόμενη χρήση

Το εργαλείο προορίζεται για την κοπή κλαδιών και το κλάδεμα δέντρων. Είναι επίσης κατάλληλο για τη συντήρηση δέντρων.

Θόρυβος

Το τυπικό Α επίπεδο καταμετρημένου θορύβου καθορίζεται σύμφωνα με το IEC62841-4-1:

Μοντέλο DUC204

Στάθμη ηχητικής πίεσης (L_{pA}): 92,2 dB (A)
Στάθμη ηχητικής ισχύος (L_{WA}): 103,2 dB (A)
Αβεβαιότητα (K): 2,5 dB (A)

Μοντέλο DUC254

Στάθμη ηχητικής πίεσης (L_{pA}): 92,2 dB (A)
Στάθμη ηχητικής ισχύος (L_{WA}): 103,2 dB (A)
Αβεβαιότητα (K): 2,5 dB (A)

Μοντέλο DUC254C

Στάθμη ηχητικής πίεσης (L_{pA}): 92,2 dB (A)
Στάθμη ηχητικής ισχύος (L_{WA}): 103,2 dB (A)
Αβεβαιότητα (K): 2,5dB (A)

ΠΡΟΕΙΔΟΠΟΙΗΣΗ: Να φοράτε ωτοασπίδες.

Κραδασμός

Η ολική τιμή δόνησης (άθροισμα τρι-αξονικού διανύσματος) καθορίζεται σύμφωνα με το IEC62841-4-1:

Μοντέλο DUC204

Είδος εργασίας: κοπή ξύλου
Εκπομπή δόνησης ($a_{h,w}$): 3,1 m/s^2
Αβεβαιότητα (K): 1,5 m/s^2

Μοντέλο DUC254

Είδος εργασίας: κοπή ξύλου
Εκπομπή δόνησης ($a_{h,w}$): 3,1 m/s²
Αβεβαιότητα (K): 1,5 m/s²

Μοντέλο DUC254C

Είδος εργασίας: κοπή ξύλου
Εκπομπή δόνησης ($a_{h,w}$): 4,1 m/s²
Αβεβαιότητα (K): 1,5 m/s²

ΠΑΡΑΤΗΡΗΣΗ: Η δηλωμένη τιμή εκπομπής κραδασμών έχει μετρηθεί σύμφωνα με την πρότυπη μέθοδο δοκιμής και μπορεί να χρησιμοποιηθεί για τη σύγκριση ενός εργαλείου με άλλο.

ΠΑΡΑΤΗΡΗΣΗ: Η δηλωμένη τιμή εκπομπής κραδασμών μπορεί να χρησιμοποιηθεί και στην προκαταρκτική αξιολόγηση έκθεσης.

⚠️ ΠΡΟΕΙΔΟΠΟΙΗΣΗ: Η εκπομπή κραδασμών κατά τη χρήση του ηλεκτρικού εργαλείου σε πραγματικές συνθήκες μπορεί να διαφέρει από τη δηλωμένη τιμή εκπομπής ανάλογα με τον τρόπο χρήσης του εργαλείου.

⚠️ ΠΡΟΕΙΔΟΠΟΙΗΣΗ: Φροντίστε να λάβετε τα κατάλληλα μέτρα προστασίας του χειριστή βάσει ενός υπολογισμού της έκθεσης σε πραγματικές συνθήκες χρήσης (λαμβάνοντας υπόψη όλες τις συνιστώσες του κύκλου λειτουργίας όπως τους χρόνους που το εργαλείο είναι εκτός λειτουργίας και όταν βρίσκεται σε αδρανή λειτουργία πέραν του χρόνου ενεργοποίησης).

Δήλωση συμμόρφωσης ΕΚ

Μόνο για χώρες της Ευρώπης

Η δήλωση συμμόρφωσης ΕΚ περιλαμβάνεται ως Παράρτημα Α στο παρόν εγχειρίδιο οδηγιών.

ΠΡΟΕΙΔΟΠΟΙΗΣΕΙΣ ΑΣΦΑΛΕΙΑΣ

Γενικές προειδοποιήσεις ασφαλείας για το ηλεκτρικό εργαλείο

⚠️ ΠΡΟΕΙΔΟΠΟΙΗΣΗ: Διαβάστε όλες τις προειδοποιήσεις ασφαλείας, οδηγίες, εικονογραφησίες και προδιαγραφές που παρέχονται με αυτό το ηλεκτρικό εργαλείο. Η μη τήρηση όλων των οδηγιών που αναγράφονται κατωτέρω μπορεί να καταλήξει σε ηλεκτροπληξία, πυρκαγιά ή/και σοβαρό τραυματισμό.

Φυλάξτε όλες τις προειδοποιήσεις και τις οδηγίες για μελλοντική παραπομπή.

Στις προειδοποιήσεις, ο όρος «ηλεκτρικό εργαλείο» αναφέρεται σε ηλεκτρικό εργαλείο που τροφοδοτείται από την κύρια παροχή ηλεκτρικού ρεύματος (μη ηλεκτρικό καλώδιο) ή σε ηλεκτρικό εργαλείο που τροφοδοτείται από μπαταρία (χωρίς ηλεκτρικό καλώδιο).

Προειδοποιήσεις ασφαλείας για το φορητό αλυσοπρίονο

1. **Να φροντίζετε ώστε όλα τα μέρη του σώματος να βρίσκονται σε απόσταση από την αλυσίδα πριονιού, όταν το αλυσοπρίονο λειτουργεί. Πριν από την εκκίνηση του αλυσοπριονίου, βεβαιωθείτε ότι η αλυσίδα πριονιού δεν έρχεται σε επαφή με οτιδήποτε. Μια στιγμή απροσεξίας στη διάρκεια χειρισμού ενός αλυσοπριονίου αρκεί για να προκαλέσει εμπλοκή της αλυσίδας πριονιού σε μέρος του ρουχισμού ή του σώματος.**
2. **Να κρατάτε πάντα το αλυσοπρίονο με το δεξί χέρι στην άνω λαβή και το αριστερό χέρι στην μπροστινή λαβή. Σε περίπτωση κρατήματος του αλυσοπριονίου με αντίστροφο σχηματισμό χεριών αυξάνει ο κίνδυνος προσωπικού τραυματισμού και δεν θα πρέπει να χρησιμοποιείται ποτέ.**
3. **Κρατήστε το ηλεκτρικό εργαλείο μόνο από τις μονωμένες επιφάνειες συγκράτησης, επειδή η αλυσίδα πριονιού μπορεί να έρθει σε επαφή με κρυφές καλωδιώσεις. Σε περίπτωση επαφής των αλυσίδων πριονιού με «ηλεκτροφόρο» καλώδιο, τα εκτεθειμένα μεταλλικά εξαρτήματα του ηλεκτρικού εργαλείου μπορεί να καταστούν τα ίδια «ηλεκτροφόρα» και να προκαλέσουν ηλεκτροπληξία στον χειριστή.**
4. **Να φοράτε γυαλιά ασφαλείας και προστατευτικά ακούς. Συνιστάται η χρήση περαιτέρω εξοπλισμού προστασίας κεφαλής, χεριών, κνημών και πελμάτων. Ο επαρκής ρουχισμός προστασίας μειώνει τον κίνδυνο προσωπικού τραυματισμού λόγω εκτινασόμενων θραυσμάτων ή τυχαίας επαφής με την αλυσίδα πριονιού.**
5. **Να στέκεστε πάντα σταθερά.**
6. **Κατά την κοπή κλαδιού που είναι τεντωμένο, να είστε προσεκτικοί σε περίπτωση εκτίναξης προς τα πίσω. Όταν η τάση στις ίνες ξύλου απελευθερωθεί, το φορτωμένο κλαδί μπορεί να χτυπήσει το χειριστή ή/και να φέρει το αλυσοπρίονο εκτός ελέγχου.**
7. **Να είστε εξαιρετικά προσεκτικοί κατά την κοπή χαμώδεντων και δενδρυλλίων. Το λεπτό υλικό μπορεί να σκαλώσει στην αλυσίδα πριονιού και να εκτιναχθεί προς το μέρος σας ή να προκαλέσει απώλεια της ισορροπίας σας.**
8. **Να μεταφέρετε το αλυσοπρίονο κρατώντας το από την μπροστινή λαβή και μακριά από το σώμα σας, όταν βρίσκεται εκτός λειτουργίας. Κατά τη μεταφορά ή φύλαξη του αλυσοπριονίου, να τοποθετείτε πάντα το κάλυμμα κατευθυντήριας λάμας. Ο κατάλληλος χειρισμός του αλυσοπριονίου μειώνει την πιθανότητα τυχαίας επαφής με την κινούμενη αλυσίδα πριονιού.**
9. **Να τηρούνται οι οδηγίες λίπανσης, τεντώματος της αλυσίδας και αλλαγής εξαρτημάτων. Το ακατάλληλο τέντωμα ή λίπανση της αλυσίδας μπορεί να προκαλέσει θραύση της ή αυξημένη πιθανότητα κλοστήματος.**
10. **Να φροντίζετε ώστε οι λαβές να διατηρούνται στεγνές, καθαρές και χωρίς ίχνη λαδιού ή γράσου. Οι λαβές με ίχνη γράσου ή λαδιού είναι ολισθηρές και προκαλούν απώλεια ελέγχου.**

11. **Να κόβετε μόνο ξύλα. Να μη χρησιμοποιείτε το αλυσοπρίονο για σκοπούς για τους οποίους δεν προορίζεται.** Για παράδειγμα: μη χρησιμοποιείτε το αλυσοπρίονο για την κοπή πλαστικών, τοιχοποιίας ή μη ξύλινων οικοδομικών υλικών. Η χρήση του αλυσοπρίονου για σκοπούς διαφορετικούς από τους προβλεπόμενους θα μπορούσε να καταλήξει σε επικίνδυνη κατάσταση.
12. **Αίτια και πρόληψη κλοστήματος από το χειριστή:**
Το κλόστημα μπορεί να προκληθεί όταν η μύτη ή το άκρο της κατευθυντήριας λάμας ακουμπήσει σε ένα αντικείμενο ή όταν τα δύο τμήματα του ξύλου κλείσουν και προκαλέσουν σύσφιξη της αλυσίδας πριονιού μέσα στην τομή. Σε ορισμένες περιπτώσεις, η επαφή του άκρου μπορεί να προκαλέσει ξαφνική ανάστροφη αντίδραση, λακτίζοντας την κατευθυντήρια λάμα προς τα άνω και πίσω προς το μέρος του χειριστή. Η σύσφιξη της αλυσίδας πριονιού σε κάποιο σημείο του άνω μέρους της κατευθυντήριας λάμας μπορεί να ιμμήσει τη λάμα τάχιστα προς τα πίσω προς το μέρος του χειριστή. Οποιαδήποτε από αυτές τις αντιδράσεις μπορεί να προκαλέσει απώλεια ελέγχου του αλυσοπρίονου, πράγμα το οποίο θα μπορούσε να καταλήξει σε σοβαρό προσωπικό τραυματισμό. Μη βασίζεστε αποκλειστικά και μόνο στις ενσωματωμένες διατάξεις ασφαλείας του αλυσοπρίονου. Ως χειριστής αλυσοπρίονου, θα πρέπει να λαμβάνετε ορισμένα μέτρα ασφαλείας ώστε να προλαμβάνετε τυχόν ατυχήματα ή τραυματισμούς κατά την εργασία κοπής.
Το κλόστημα είναι αποτέλεσμα κακής χρήσης ή/και εσφαλμένων διαδικασιών ή συνθηκών χειρισμού και είναι δυνατό να αποφευχθεί εάν ληφθούν οι κατάλληλες προφυλάξεις, όπως περιγράφεται κατωτέρω:
 - Κρατήστε σταθερά, με τα δάχτυλα και τους αντίχειρες γύρω από τις λαβές του αλυσοπρίονου, με τα δύο χέρια πάνω στο αλυσοπρίονο και τοποθετήστε σώμα και βραχίονες έτσι ώστε να ασκείται αντίσταση στις δυνάμεις κλοστήματος. Ο έλεγχος των δυνάμεων κλοστήματος από το χειριστή είναι επιβεβλητός, εάν ληφθούν οι κατάλληλες προφυλάξεις. Μην επιτρέψτε να σας φύγει το αλυσοπρίονο.
13. **Πριν από την έναρξη της εργασίας, βεβαιωθείτε ότι το αλυσοπρίονο είναι σε καλή κατάσταση λειτουργίας και ότι η κατάσταση του συμμορφώνεται με τους κανονισμούς ασφαλείας. Συγκεκριμένα, ελέγξτε τα εξής:**
 - Το φρένο αλυσίδας λειτουργεί κατάλληλα,
 - Το φρένο ανάσχεσης λειτουργεί κατάλληλα,
 - Το κάλυμμα της λάμας και το κάλυμμα αλυσοτροχού έχουν τοποθετηθεί κατάλληλα,
 - Η αλυσίδα έχει ακονιστεί και τεντωθεί σύμφωνα με τους κανονισμούς.
14. **Μην θέσετε το αλυσοπρίονο σε λειτουργία όταν το κάλυμμα της αλυσίδας δεν έχει αφαιρεθεί.** Εάν θέσετε το αλυσοπρίονο σε λειτουργία όταν το κάλυμμα της αλυσίδας δεν έχει αφαιρεθεί, μπορεί να προκληθεί εκτίναξη του καλύμματος προς τα εμπρός με αποτέλεσμα τραυματισμό και την πρόκληση ζημίας σε αντικείμενα που βρίσκονται στο χώρο γύρω από το χειριστή.

Προειδοποιήσεις ασφαλείας ειδικές του αλυσοπρίονου με άνω λαβή

1. **Αυτό το αλυσοπρίονο είναι σχεδιασμένο ειδικά για τη φροντίδα και το κλάδεμα δέντρων. Το αλυσοπρίονο προορίζεται για χρήση μόνο από σωστά εκπαιδευμένα άτομα. Τηρήστε όλες τις οδηγίες, διαδικασίες και συστάσεις από τον αρμόδιο επαγγελματικό οργανισμό. Διαφορετικά, μπορεί να προκύψουν μοιραία ατυχήματα. Συνιστάται να χρησιμοποιείται πάντα ανυψωτική πλατφόρμα (εξέδρα διαφυγής, αναβατήρας) για το πριόνισμα στα δέντρα. Οι τεχνικές στις οποίες χρησιμοποιείται σκονιό είναι εξαιρετικά επικίνδυνες και απαιτούν ειδική εκπαίδευση. Οι χειριστές πρέπει να εξοικειωθούν με τη χρήση εξοπλισμού ασφαλείας και τεχνικές ανάβασης. Να χρησιμοποιείτε πάντα τους κατάλληλους μάντες, σκονιό και καραμπίνερ όταν εργάζεστε σε δέντρα. Να χρησιμοποιείτε πάντα εξοπλισμό συγκράτησης για το χειριστή και το πριόνι.**
 2. **Πριν την αποθήκευση, διεξαγάγετε καθαρισμό και συντήρηση σύμφωνα με το εγχειρίδιο οδηγιών.**
 3. **Φροντίστε για την ασφαλή τοποθέτηση του αλυσοπρίονου κατά τη μεταφορά σε αυτοκίνητο προκειμένου να αποφευχθεί η διαρροή καυσίμου ή λαδιού αλυσίδας, η ζημιά στο εργαλείο και ο προσωπικός τραυματισμός.**
 4. **Να ελέγχετε τακτικά τη λειτουργία του φρένου αλυσίδας.**
 5. **Μην συμπληρώνετε με λάδι αλυσίδας κοντά σε φωτιά. Μην καπνίζετε ποτέ όταν συμπληρώνετε με λάδι αλυσίδας.**
 6. **Ο εθνικός κανονισμός μπορεί να περιορίζει τη χρήση αλυσοπρίονου.**
 7. **Αν η συσκευή χτυπήσει δυνατά κατά την πτώση, ελέγξτε την κατάσταση πριν συνεχίσετε την εργασία. Ελέγξτε αν υπάρχει δυσλειτουργία στις συσκευές ελέγχου και ασφαλείας. Αν υπάρχει οποιαδήποτε ζημιά ή αν έχετε αμφιβολίες, επικοινωνήστε με το δικό μας εξουσιοδοτημένο κέντρο εξυπηρέτησης για επιθεώρηση και επισκευή.**
- **Εικ.1**
- Μην εκτείνετε υπέρ του δόντος και μην επιχειρείτε κοπή πάνω από το ύψος των ώμων. Αυτό βοηθά στην αποφυγή ανεπιθύμητης επαφής του άκρου και διευκολύνει στον καλύτερο έλεγχο του αλυσοπρίονου σε μη αναμενόμενες καταστάσεις.
 - Να χρησιμοποιείτε μόνο λάμες και αλυσίδες αντικατάστασης που συνιστώνται από τον κατασκευαστή. Οι λάμες και αλυσίδες αντικατάστασης εσφαλμένου τύπου μπορεί να προκαλέσουν θραύση της αλυσίδας ή/και κλόστημα.
 - Ακολουθήστε τις οδηγίες του κατασκευαστή για το τρόχισμα και τη συντήρηση της αλυσίδας πριονιού. Η μείωση του ύψους του ρυθμιστή βάθους κοπής μπορεί να οδηγήσει σε αύξηση του κλοστήματος.

8. Να ενεργοποιείτε πάντα το φρένο αλυσίδας πριν εκκινήσετε το αλυσοπρίνο.
9. Κρατήστε το πριόνι σταθερά για να αποφύγετε το πατινάρισμα (κίνηση γλιστρήματος) ή την αναπήδηση του πριονιού όταν ξεκινάτε μια κοπή.
10. Στο τέλος της κοπής, προσέχετε ώστε να κρατήσετε την ισορροπία σας εξαιτίας της «πτώσης».
11. Λάβετε υπόψη την κατεύθυνση και την ταχύτητα του ανέμου. Αποφύγετε τα πριονίδια και το νέφος του λαδιού αλυσίδας.

Προστατευτικός εξοπλισμός

1. Προκειμένου να αποφύγετε τους τραυματισμούς στο κεφάλι, στα μάτια, στα χέρια ή στα πόδια, καθώς και να προστατεύσετε την ακοή σας, πρέπει να χρησιμοποιείτε τον ακόλουθο προστατευτικό εξοπλισμό κατά τη διάρκεια της λειτουργίας του αλυσοπριονίου:
 - Το είδος των ρούχων πρέπει να είναι κατάλληλο, δηλ. πρέπει να είναι εφαρμοστά αλλά να μην σας εμποδίζουν. Μην φοράτε κοσμήματα ή ρούχα τα οποία μπορούν να μπλεχθούν σε θάμνους και κλαδιά. Αν έχετε μακριά μαλλιά, να φοράτε πάντα φιλέ!
 - Είναι απαραίτητο να φοράτε προστατευτικό κράνος όταν εργάζεστε με το αλυσοπρίνο. Το προστατευτικό κράνος πρέπει να ελέγχεται σε τακτά χρονικά διαστήματα για ζημιά και πρέπει να αντικαθίσταται μετά από 5 χρόνια το αργότερο. Χρησιμοποιείτε μόνο εγκεκριμένα προστατευτικά κράνη.
 - Η προσωπίδα του προστατευτικού κράνους (ή των γυαλιών) προστατεύει από τα πριονίδια και τα μικρά κομμάτια ξύλου. Κατά τη λειτουργία του αλυσοπριονίου, να φοράτε πάντα προστατευτικά γυαλιά ή προσωπίδα ώστε να αποφευχθούν οι τραυματισμοί των ματιών.
 - Φοράτε επαρκή εξοπλισμό προστασίας της ακοής (προστατευτικά ακοής, ωτοασπίδες, κτλ.).
 - Το προστατευτικό μπουφάν αποτελείται από 22 στρώματα νάilon και προστατεύει τον χειριστή από την κοπή. Πρέπει πάντα να φοράτε όταν εργάζεστε από ανυψωτικές πλατφόρμες (εξέδρες διαφυγής, αναβατήρες), από πλατφόρμες στερεωμένες σε σκάλες ή κατά την αναρρίχηση με σκοινιά.
 - Η προστατευτική φόρμα είναι κατασκευασμένη από νάilon ύφανση με 22 στρώματα και προστατεύει από την κοπή. Συνιστάται ένθερμα η χρήση της.
 - Τα προστατευτικά γάντια που είναι κατασκευασμένα από παχύ δέρμα αποτελούν μέρος του συνιστώμενου εξοπλισμού και πρέπει πάντα να φοριούνται κατά τη λειτουργία του αλυσοπριονίου.
 - Κατά τη λειτουργία του αλυσοπριονίου, πρέπει να φοριούνται πάντα παπούτσια ασφαλείας ή μπότες ασφαλείας εφοδιασμένα με αντιολισθητική σόλα, μεταλλική ενίσχυση στην περιοχή των δακτύλων και προστασία για το πόδι. Τα παπούτσια ασφαλείας εξοπλισμένα με προστατευτικό στρώμα παρέχουν προστασία από κοπή και εξασφαλίζουν καλό πάτημα. Για εργασία σε δέντρα, οι μπότες ασφαλείας πρέπει να είναι κατάλληλες για τεχνικές αναρρίχησης.

Κραδασμός

1. Όταν άτομα με κακή κυκλοφορία αίματος εκτίθενται σε υπερβολικούς κραδασμούς, μπορεί να προκληθεί τραυματισμός στα αιμοφόρα αγγεία ή στο νευρικό σύστημα. Οι κραδασμοί μπορεί να προκαλέσουν τα ακόλουθα συμπτώματα στα δάχτυλα, τα χέρια ή τους καρπούς: «Κοίμισμα» (μούδιασμα), μυρμηγκίασμα, πόνος, σουβλιές, αλλαγή χρώματος ή υψής του δέρματος. **Αν έχετε οποιαδήποτε από αυτά τα συμπτώματα, επισκεφτείτε ένα γιατρό!** Για να περιορίσετε τον κίνδυνο της «ασθένειας των άσπρων δακτύλων», διατηρείτε τα χέρια σας ζεστά κατά τη λειτουργία και διατηρείτε σε καλή κατάσταση τη συσκευή και τα αξεσουάρ.

ΦΥΛΑΞΤΕ ΤΙΣ ΟΔΗΓΙΕΣ ΑΥΤΕΣ.

▲ΠΡΟΕΙΔΟΠΟΙΗΣΗ: ΜΗΝ επιτρέψετε το βαθμό άνεσης ή εξοικείωσης με το προϊόν (λόγω επανειλημμένης χρήσης) να αντικαταστήσει την αυστηρή τήρηση των κανόνων ασφαλείας του παρόντος εργαλείου. Η ΛΑΝΘΑΣΜΕΝΗ ΧΡΗΣΗ ή η αμέλεια να ακολουθήσετε τους κανόνες ασφαλείας που διατυπώνονται στο παρόν εγχειρίδιο οδηγιών μπορεί να προκαλέσει σοβαρό προσωπικό τραυματισμό.

Σημαντικές οδηγίες ασφαλείας για κασέτα μπαταριών

1. Πριν χρησιμοποιήσετε την κασέτα μπαταριών, διαβάστε όλες τις οδηγίες και σημειώσεις προφύλαξης (1) στον φορηστή μπαταριών, (2) στην μπαταρία και (3) στο προϊόν που χρησιμοποιεί την μπαταρία.
2. Μην αποσυναρμολογήσετε την κασέτα μπαταριών.
3. Εάν ο χρόνος λειτουργίας έχει γίνει υπερβολικά βραχύς, σταματήστε τη λειτουργία αμέσως. Αλλιώς, μπορεί να έχει ως αποτέλεσμα κίνδυνο υπερθέρμανσης, πιθανά εγκαύματα ή ακόμη και έκρηξη.
4. Εάν ηλεκτρολύτης μπει στα μάτια σας, ξεπλύνετε τα με καθαρό νερό και ζητήστε ιατρική φροντίδα αμέσως. Αλλιώς, μπορεί να έχει ως αποτέλεσμα απώλεια της όρασης σας.
5. Μην βραχυκυκλώνετε την κασέτα μπαταριών:
 - (1) Μην αγγίζετε τους πόλους με οτιδήποτε αγώγιμο υλικό.
 - (2) Αποφύγετε να αποθηκεύετε την κασέτα μπαταριών μέσα σε ένα δοχείο μαζί με άλλα μεταλλικά αντικείμενα όπως καρφιά, νομίσματα, κλπ.
 - (3) Μην εκθέτετε την κασέτα μπαταριών στο νερό ή στη βροχή.
 Ένα βραχυκύκλωμα μπαταρίας μπορεί να προκαλέσει μεγάλη ροή ρεύματος, υπερθέρμανση, πιθανά εγκαύματα ακόμη και σοβαρή βλάβη.
6. Μην αποθηκεύετε το εργαλείο και την κασέτα μπαταριών σε τοποθεσίες όπου η θερμοκρασία μπορεί να φτάσει ή να ξεπεράσει τους 50°C.

7. Μην καίτε την κασέτα μπαταριών ακόμη και εάν έχει σοβαρή ζημιά ή είναι εντελώς φθαρμένη. Η κασέτα μπαταριών μπορεί να εκραγεί στη φωτιά.
8. Προσέχετε να μη ρίξετε κάτω ούτε να χτυπήσετε την μπαταρία.
9. Μη χρησιμοποιείτε μπαταρία που έχει υποστεί ζημιά.
10. Οι μπαταρίες ιόντων λιθίου που περιέχονται υπόκεινται στις απαιτήσεις της νομοθεσίας για επικίνδυνα αγαθά.
Για εμπορικές μεταφορές, για παράδειγμα από τρίτα μέρη, πρέπει να τηρούνται οι διαμεταφορές, οι ειδικές απαιτήσεις στη συσκευασία και η επισήμανση.
Για προετοιμασία του στοιχείου που αποστέλλεται, είναι απαραίτητο να συμβουλευτείτε έναν ειδικό για επικίνδυνα υλικά. Επίσης, τηρήστε τους πιθανούς, πιο αναλυτικούς εθνικούς κανονισμούς.
Καλύψτε με αυτοκόλλητη ταινία ή κρύψτε τις ανοικτές επαφές και συσκευάστε την μπαταρία με τρόπο που να μην μπορεί να μετακινείται μέσα στη συσκευασία.
11. Τηρήστε τους τοπικούς κανονισμούς που σχετίζονται με τη διάθεση της μπαταρίας.
12. Χρησιμοποιήστε τις μπαταρίες μόνο με τα προϊόντα που καθορίζει η Makita. Αν τοποθετήσετε τις μπαταρίες σε μη συμβατά προϊόντα μπορεί να έχει ως αποτέλεσμα πυρκαγιά, υπερβολική θερμότητα, έκρηξη ή διαρροή ηλεκτρολύτη.

▲ΠΡΟΣΟΧΗ: Να χρησιμοποιείτε μόνο γνήσιες μπαταρίες της Makita. Η χρήση μη γνήσιων μπαταριών Makita, ή μπαταριών που έχουν τροποποιηθεί, μπορεί να έχει ως αποτέλεσμα τη ρήξη της μπαταρίας, προκαλώντας πυρκαγιά, προσωπικό τραυματισμό και βλάβη. Επίσης, θα ακρωθεί η εγγύηση της Makita για το εργαλείο και φορτιστή Makita.

Συμβουλές για τη διατήρηση της μέγιστης ζωής μπαταρίας

1. Φορτίζετε την κασέτα μπαταριών πριν από την πλήρη αποφόρτισή της. Πάντοτε να σταματάτε τη λειτουργία του εργαλείου και να φορτίζετε την κασέτα μπαταριών όταν παρατηρείτε μείωση ισχύ εργαλείου.
2. Ποτέ μην επαναφορτίζετε μια πλήρως φορτισμένη κασέτα μπαταριών. Η υπερφόρτιση μειώνει την ωφέλιμη ζωή της μπαταρίας.
3. Να φορτίζετε την κασέτα μπαταριών σε θερμοκρασία δωματίου, δηλαδή στους 10°C έως 40°C. Αφήστε μια θερμή κασέτα μπαταριών να κρυώσει πριν την φορτίσετε.
4. Να φορτίζετε την κασέτα μπαταριών εάν δεν τη χρησιμοποιείτε για μεγάλη χρονική περίοδο (περισσότερο από έξι μήνες).

ΦΥΛΑΞΤΕ ΤΙΣ ΟΔΗΓΙΕΣ ΑΥΤΕΣ.

ΠΕΡΙΓΡΑΦΗ ΕΞΑΡΤΗΜΑΤΩΝ

► Εικ.2

1	Σκανδάλη διακόπτης	2	Άνω λαβή	3	Μοχλός ασφάλισης
4	Μπροστινός προφυλακτήρας χεριών	5	Κατευθυντήρια λάμα	6	Αλυσίδα πριονιού
7	Συγκρατήρας αλυσίδας	8	Παξιμάδι συγκράτησης	9	Βίδα ρύθμισης αλυσίδας
10	Οδηγός θραυσμάτων	11	Κασέτα μπαταριών	12	Λυχνία κύριας λειτουργίας
13	Διακόπτης κύριας λειτουργίας	14	Βίδα ρύθμισης (για αντλία λαδιού)	15	Καραμπίνερ
16	Μπροστινή λαβή	17	Καπάκι δοχείου λαδιού	18	Κάλυμμα κατευθυντήριας λάμας

ΠΕΡΙΓΡΑΦΗ ΛΕΙΤΟΥΡΓΙΑΣ

▲ ΠΡΟΣΟΧΗ: Να φροντίζετε πάντα για την απενεργοποίηση του εργαλείου και την αφαίρεση της κασέτας μπαταρίας, πριν από οποιαδήποτε ρύθμιση ή έλεγχο της λειτουργίας του.

Τοποθέτηση ή αφαίρεση της κασέτας μπαταριών

▲ ΠΡΟΣΟΧΗ: Να σβήνετε πάντα το εργαλείο πριν τοποθετήσετε ή αφαιρέσετε την κασέτα μπαταριών.

▲ ΠΡΟΣΟΧΗ: Κρατήστε το εργαλείο και την κασέτα μπαταριών σταθερά κατά την τοποθέτηση ή αφαίρεση της κασέτας μπαταριών. Εάν δεν κρατάτε το εργαλείο και την κασέτα μπαταριών σταθερά μπορεί να γλιστρήσουν από τα χέρια σας και να προκληθεί βλάβη στο εργαλείο και την κασέτα μπαταριών και προσωπικός τραυματισμός.

► **Εικ.3:** 1. Κόκκινη ένδειξη 2. Κουμπί 3. Κασέτα μπαταριών

Για να αφαιρέσετε την κασέτα μπαταριών, ολισθήστε την από το εργαλείο ενώ σύρετε το κουμπί στο μπροστινό μέρος της κασέτας.

Για να τοποθετήσετε την κασέτα μπαταριών, ευθυγραμμίστε τη γλίσσα στην κασέτα μπαταριών με την αύλακα στην υποδοχή και ολισθήστε τη στη θέση της. Να την τοποθετείτε πλήρως μέχρι να ασφαλίσει στη θέση της, γεγονός που υποδεικνύεται με ένα χαρακτηριστικό ήχο. Εάν μπορείτε να δείτε την κόκκινη ένδειξη στην επάνω πλευρά του κουμπιού, δεν έχει κλειδώσει τελείως.

▲ ΠΡΟΣΟΧΗ: Να τοποθετείτε πάντα την κασέτα μπαταριών πλήρως μέχρι να μη βλέπετε την κόκκινη ένδειξη. Εάν δεν ασφαλιστεί, μπορεί να πέσει από το εργαλείο τυχαία, προκαλώντας σωματική βλάβη σε εσάς ή κάποιον άλλο γύρω σας.

▲ ΠΡΟΣΟΧΗ: Μην τοποθετείτε την κασέτα μπαταριών με βία. Εάν η κασέτα δεν ολισθαίνει με ευκολία, τότε δεν έχει τοποθετηθεί κατάλληλα.

Εμφάνιση υπολειπόμενης χωρητικότητας μπαταρίας

Μόνο για κασέτες μπαταρίας με την ενδεικτική λυχνία

► **Εικ.4:** 1. Ενδεικτικές λυχνίες 2. Κουμπί ελέγχου

Πιέστε το κουμπί ελέγχου στην κασέτα μπαταριών για να υποδείξετε την υπολειπόμενη χωρητικότητα μπαταρίας. Οι ενδεικτικές λυχνίες ανάβουν για λίγα δευτερόλεπτα.

Ενδεικτικές λυχνίες			Υπολειπόμενη χωρητικότητα
Αναμμένες	Σβηστές	Αναβοσβήνουν	
■ ■ ■ ■ ■	□ □ □ □ □	■	75% έως 100%
■ ■ ■ ■ □	□ □ □ □ □	■	50% έως 75%
■ ■ ■ □ □	□ □ □ □ □	■	25% έως 50%
■ □ □ □ □	□ □ □ □ □	■	0% έως 25%

Ενδεικτικές λυχνίες			Υπολειπόμενη χωρητικότητα
Αναμμένες	Σβηστές	Αναβοσβήνουν	
■	□ □ □ □ □	■	Φορτίστε την μπαταρία.
■ ■ ■ □ □	□ □ □ □ □	■	Μπορεί να προέκυψε δυσλειτουργία στην μπαταρία.
■ □ □ □ □	□ □ □ □ □	■	

ΠΑΡΑΤΗΡΗΣΗ: Ανάλογα με τις συνθήκες χρήσης και τη θερμοκρασία περιβάλλοντος, η ένδειξη μπορεί να διαφέρει λίγο από την πραγματική χωρητικότητα.

Σύστημα προστασίας εργαλείου/ μπαταρίας

Το εργαλείο είναι εξοπλισμένο με σύστημα προστασίας εργαλείου/μπαταρίας. Αυτό το σύστημα αποκόπτει αυτόματα την ισχύ προς το μοτέρ για να παραταθεί η διάρκεια λειτουργίας του εργαλείου και της μπαταρίας. Το εργαλείο σταματάει αυτόματα κατά τη διάρκεια της λειτουργίας εάν το εργαλείο ή η μπαταρία βρεθούν κάτω από τις παρακάτω συνθήκες:

Προστασία υπερφόρτωσης

Όταν η μπαταρία λειτουργεί με τρόπο που προκαλεί την κατανάλωση ενός ασυνήθιστα υψηλού ηλεκτρικού ρεύματος, το εργαλείο σταματάει αυτόματα και η λυχνία κύριας λειτουργίας αναβοσβήνει με πράσινο χρώμα. Σε αυτή την περίπτωση, απενεργοποιήστε το εργαλείο και διακόψτε την εφαρμογή που προκάλεσε την υπερφόρτωση του εργαλείου. Μετά ενεργοποιήστε το εργαλείο για επανεκκίνηση.

Προστασία υπερθέρμανσης

Όταν το εργαλείο ή η μπαταρία υπερθερμανθεί, η λειτουργία του εργαλείου σταματάει αυτόματα και η λυχνία κύριας λειτουργίας ανάβει με κόκκινο χρώμα. Σε αυτή την περίπτωση, αφήστε το εργαλείο και την μπαταρία να ψυχθούν πριν ενεργοποιήσετε ξανά το εργαλείο.

ΠΑΡΑΤΗΡΗΣΗ: Σε περιβάλλον υψηλών θερμοκρασιών, είναι πιθανό να θεθεί σε λειτουργία η προστασία υπερθέρμανσης και να σταματήσει αυτόματα η λειτουργία του εργαλείου.

Προστασία υπερβολικής αποφόρτισης

Όταν η χωρητικότητα μπαταρίας δεν είναι αρκετή, η λειτουργία του εργαλείου σταματάει αυτόματα και η λυχνία κύριας λειτουργίας αναβοσβήνει με κόκκινο χρώμα. Σε αυτή την περίπτωση, βγάλτε την μπαταρία από το εργαλείο και φορτίστε την μπαταρία.

Διακόπτης κύριας λειτουργίας

▲ ΠΡΟΕΙΔΟΠΟΙΗΣΗ: Να απενεργοποιείτε πάντα το διακόπτη κύριας λειτουργίας όταν δεν χρησιμοποιείτε το εργαλείο.

Για να ανάψετε το εργαλείο, πατήστε το διακόπτη κύριας λειτουργίας μέχρι να ανάψει η λυχνία κύριας λειτουργίας με πράσινο χρώμα. Για απενεργοποίηση, πατήστε ξανά το διακόπτη κύριας λειτουργίας.

► **Εικ. 5:** 1. Λυχνία κύριας λειτουργίας 2. Διακόπτης κύριας λειτουργίας

ΠΑΡΑΤΗΡΗΣΗ: Η λυχνία κύριας λειτουργίας αναβοσβήνει με πράσινο χρώμα αν τραβήξετε τη σκανδάλη διακόπτη κάτω από μη λειτουργικές συνθήκες. Η λυχνία αναβοσβήνει σε οποιαδήποτε από τις ακόλουθες καταστάσεις.

- Όταν ενεργοποιήσετε το διακόπτη κύριας λειτουργίας ενώ κρατάτε πατημένο το μοχλό ασφάλισης και τη σκανδάλη διακόπτη.
- Όταν τραβάτε τη σκανδάλη διακόπτη ενώ εφαρμόζεται το φρένο αλυσίδας.
- Όταν απελευθερώνετε το φρένο αλυσίδας ενώ κρατάτε πατημένο το μοχλό ασφάλισης και τραβάτε τη σκανδάλη διακόπτη.

ΠΑΡΑΤΗΡΗΣΗ: Αυτό το αλυσοπρίοιο χρησιμοποιεί τη λειτουργία αυτόματης απενεργοποίησης. Για να αποφευχθεί η αθέλητη εκκίνηση, ο διακόπτης κύριας λειτουργίας κλείνει αυτόματα εάν δεν τραβήξετε τη σκανδάλη διακόπτη για κάποια καθορισμένη περίοδο μετά την ενεργοποίηση του διακόπτη κύριας λειτουργίας.

Μπορείτε να χρησιμοποιήσετε τον τρόπο λειτουργίας ενίσχυσης ροπής για την κοπή χονδρών κλαδιών ή σκληρών κλαδιών. Για να χρησιμοποιήσετε το εργαλείο σε τρόπο λειτουργίας ενίσχυσης ροπής, όταν το εργαλείο είναι απενεργοποιημένο, πατήστε το διακόπτη κύριας λειτουργίας για λίγα δευτερόλεπτα μέχρι να ανάψει η λυχνία κύριας λειτουργίας με κίτρινο χρώμα.

ΠΑΡΑΤΗΡΗΣΗ: Μπορείτε να χρησιμοποιήσετε το εργαλείο σε τρόπο λειτουργίας ενίσχυσης ροπής για μέχρι 30 δευτερόλεπτα. Ανάλογα με τις συνθήκες χρήσης, αυτός ο τρόπος λειτουργίας μετατοπίζει τον κανονικό τρόπο λειτουργίας σε λιγότερα από 30 δευτερόλεπτα.

ΠΑΡΑΤΗΡΗΣΗ: Αν η λυχνία κύριας λειτουργίας αναβοσβήνει με κίτρινο χρώμα όταν πατήσετε το διακόπτη κύριας λειτουργίας για λίγα δευτερόλεπτα, ο τρόπος λειτουργίας ενίσχυσης ροπής δεν είναι διαθέσιμος. Σε αυτή την περίπτωση, ακολουθήστε τα παρακάτω βήματα.

- Ο τρόπος λειτουργίας ενίσχυσης ροπής δεν είναι διαθέσιμος αμέσως μετά τη λειτουργία κοπής. Περιμένετε περισσότερα από 10 δευτερόλεπτα και μετά πατήστε ξανά το διακόπτη κύριας λειτουργίας.
- Αν χρησιμοποιήσετε τον τρόπο λειτουργίας ενίσχυσης ροπής αρκετές φορές, περιορίζεται η χρήση του τρόπου λειτουργίας ενίσχυσης ροπής για να προστατευτεί η μπαταρία. Αν ο τρόπος λειτουργίας ενίσχυσης ροπής δεν διατίθεται αφού περιμένετε για περισσότερα από 10 δευτερόλεπτα, αντικαταστήστε την κασέτα μπαταριών με μια πλήρως φορτισμένη, ή επαναφορτίστε την κασέτα μπαταριών.

ΠΑΡΑΤΗΡΗΣΗ: Αν η λυχνία κύριας λειτουργίας ανάψει με κόκκινο χρώμα ή αναβοσβήνει με κόκκινο ή πράσινο χρώμα, ανατρέξτε στις οδηγίες για το σύστημα προστασίας του εργαλείου/μπαταρίας.

ΠΑΡΑΤΗΡΗΣΗ: Ο τρόπος λειτουργίας ενίσχυσης ροπής δεν μπορεί να χρησιμοποιηθεί όταν είναι τοποθετημένη κασέτα μπαταριών BL1815N, BL1820 ή BL1820B.

Δράση διακόπτη

▲ΠΡΟΕΙΔΟΠΟΙΗΣΗ: Για την ασφάλεια σας, το εργαλείο αυτό παρέχεται με μοχλό ασφάλισης το οποίο αποτρέπει την εκκίνηση του εργαλείου κατά λάθος. Μη χρησιμοποιείτε ΠΟΤΕ το εργαλείο εάν μπορείτε να το θέσετε σε λειτουργία πιέζοντας απλά τη σκανδάλη διακόπτη, χωρίς να τραβάτε και το μοχλό ασφάλισης. Στείλτε το εργαλείο σε εξουσιοδοτημένο κέντρο σέρβις για να το επισκευάσουν σωστά ΠΡΙΝ το χρησιμοποιήσετε ξανά.

▲ΠΡΟΕΙΔΟΠΟΙΗΣΗ: ΠΟΤΕ μην κολλάτε το μοχλό ασφάλισης στην πατημένη θέση του και ΠΟΤΕ μην παρακάμπτετε το σκοπό του μοχλού ασφάλισης.

▲ΠΡΟΣΟΧΗ: Πριν βάλετε την κασέτα μπαταρίας μέσα στο εργαλείο, να ελέγχετε πάντα να δείτε αν η σκανδάλη διακόπτης ενεργοποιείται κανονικά και επιστρέφει στη θέση «OFF» όταν απελευθερώνεται.

ΕΙΔΟΠΟΙΗΣΗ: Μην τραβάτε τη σκανδάλη διακόπτη με βία χωρίς να πατάτε το μοχλό ασφάλισης. Μπορεί να σπάσει ο διακόπτης.

Για να μην τραβιέται η σκανδάλη διακόπτης κατά λάθος, παρέχεται ένας μοχλός ασφάλισης. Για να ξεκινήσετε τη λειτουργία του εργαλείου, πατήστε το μοχλό ασφάλισης και τραβήξτε τη σκανδάλη διακόπτη. Η ταχύτητα του εργαλείου αυξάνεται όσο αυξάνετε την πίεση στη σκανδάλη διακόπτη. Ελευθερώστε τη σκανδάλη διακόπτη για να σταματήσετε.

► **Εικ. 6:** 1. Σκανδάλη διακόπτης 2. Μοχλός ασφάλισης

Έλεγχος άμεσου φρένου αλυσίδας

▲ΠΡΟΣΟΧΗ: Κατά την ενεργοποίηση, να κρατάτε το αλυσοπρίοιο με τα δύο χέρια. Να κρατάτε την άνω λαβή με το δεξιό χέρι σας και την μπροστινή λαβή με αριστερό χέρι σας. Η λάμα και η αλυσίδα δεν πρέπει να έρχονται σε επαφή με κανένα αντικείμενο.

▲ΠΡΟΣΟΧΗ: Εάν η αλυσίδα πριονιού δεν ακινητοποιηθεί αμέσως κατά τη διενέργεια αυτής της δοκιμής, απαγορεύεται η χρήση του αλυσοπριονίου σε οποιαδήποτε περίπτωση. Συμβουλευτείτε το εξουσιοδοτημένο κέντρο σέρβις μας.

1. Πιέστε το μοχλό ασφάλισης και κατόπιν τραβήξτε τη σκανδάλη διακόπτη. Η αλυσίδα πριονιού τίθεται αμέσως σε λειτουργία.

2. Σπρώξτε τον μπροστινό προφυλακτήρα χειριών προς τα εμπρός, με το πίσω μέρος του χειριού σας. Βεβαιωθείτε ότι το αλυσοπρίοιο ακινητοποιείται αμέσως.

► **Εικ. 7:** 1. Μπροστινός προφυλακτήρας χειριών 2. Ξεκλειδωτή θέση 3. Κλειδωμένη θέση

Έλεγχος του φρένου ανάσχεσης

⚠ ΠΡΟΣΟΧΗ: Αν η αλυσίδα πριονιού δεν σταματήσει εντός δύο δευτερολέπτων σε αυτή τη δοκιμή, σταματήστε να χρησιμοποιείτε το αλυσοπρίονο και συμβουλευτείτε το εξουσιοδοτημένο κέντρο εξυπηρέτησης μας.

Θέστε το αλυσοπρίονο σε λειτουργία και μετά αφήστε εντελώς τη σκανδάλη διακόπτη. Η αλυσίδα πριονιού πρέπει να ακινητοποιηθεί πλήρως εντός δύο δευτερολέπτων.

Ρύθμιση της λίπανσης αλυσίδας

Μπορείτε να ρυθμίσετε το ρυθμό παροχής της αντλίας λαδιού με τη βίδα ρύθμισης χρησιμοποιώντας ένα κλειδί γενικής χρήσης. Η ποσότητα λαδιού μπορεί να ρυθμιστεί σε 3 βήματα.

► **Εικ.8:** 1. Βίδα ρύθμισης

Καραμπίνερ (σημείο πρόσδεσης σκονιού)

Μπορείτε να κρεμάσετε το εργαλείο αν προσδέσετε το σκονί στο караμπίνερ. Τραβήξτε πάνω το караμπίνερ και μετά δέστε το με το σκονί.

Ηλεκτρονική λειτουργία

Το εργαλείο είναι εξοπλισμένο με ηλεκτρονικές λειτουργίες για εύκολη λειτουργία.

- Ομαλή εκκίνηση
Η λειτουργία ομαλής εκκίνησης ελαχιστοποιεί τον κραδασμό κατά την εκκίνηση και καθιστά την εκκίνηση του εργαλείου ομαλή.

ΣΥΝΑΡΜΟΛΟΓΗΣΗ

⚠ ΠΡΟΣΟΧΗ: Να βεβαιώνεστε πάντα ότι το εργαλείο είναι σβηστό και η κασέτα μπαταρίας έχει αφαιρεθεί πριν εκτελέσετε κάποια εργασία στο εργαλείο.

⚠ ΠΡΟΣΟΧΗ: Μην αγγίζετε την αλυσίδα πριονιού με γυμνά χέρια. Να φοράτε πάντα γάντια κατά το χειρισμό της αλυσίδας πριονιού.

Αφαίρεση ή τοποθέτηση της αλυσίδας πριονιού

⚠ ΠΡΟΣΟΧΗ: Η αλυσίδα πριονιού και η κατευθυντήρια λάμα είναι ακόμα ζεστές μετά τη λειτουργία. Αφήστε τις να ψυχθούν αρκετά πριν εκτελέσετε οποιαδήποτε εργασία στο εργαλείο.

⚠ ΠΡΟΣΟΧΗ: Η διαδικασία της τοποθέτησης ή αφαίρεσης της αλυσίδας πριονιού θα πρέπει να εκτελείται σε καθαρό μέρος χωρίς πριονίδια και παρόμοια υλικά.

Για να αφαιρέσετε την αλυσίδα πριονιού, εκτελέστε τα ακόλουθα βήματα:

1. Αποδεσμεύστε το φρένο αλυσίδας τραβώντας τον μπροστινό προφυλακτήρα χεριών.
2. Χαλαρώστε τη βίδα ρύθμισης αλυσίδας και μετά το παξιμάδι συγκράτησης.

► **Εικ.9:** 1. Βίδα ρύθμισης αλυσίδας 2. Παξιμάδι συγκράτησης

3. Βγάλτε το κάλυμμα αλυσοτροχού και κατόπιν βγάλτε την αλυσίδα πριονιού και την κατευθυντήρια λάμα από το κύριο τμήμα του αλυσοπρίονου.

Για να τοποθετήσετε την αλυσίδα πριονιού, εκτελέστε τα ακόλουθα βήματα:

1. Ελέγξτε την κατεύθυνση της αλυσίδας πριονιού. Αντιστοιχίστε την κατεύθυνση της αλυσίδας πριονιού με αυτή του σημαδιού στο σώμα του αλυσοπρίονου.
2. Προσαρμόστε το ένα άκρο της αλυσίδας πριονιού στο επάνω μέρος της κατευθυντήριας λάμας.
3. Προσαρμόστε το άλλο άκρο της αλυσίδας πριονιού γύρω από το αλυσοτροχό, μετά συνδέστε την κατευθυντήρια λάμα στο σώμα του αλυσοπρίονου, ευθυγραμμίζοντας την οπή στην κατευθυντήρια λάμα με τον πείρο στο σώμα του αλυσοπρίονου.

► **Εικ.10:** 1. Αλυσοτροχός 2. Οπή

4. Εισαγάγετε την προεσοχή στο κάλυμμα αλυσοτροχού μέσα στο σώμα του αλυσοπρίονου και μετά κλείστε το κάλυμμα ώστε τα μπουλόνια και οι πείροι στο σώμα του αλυσοπρίονου να αντιστοιχίσουν με τα αντίστοιχα μέρη τους στο κάλυμμα.

► **Εικ.11:** 1. Προεσοχή 2. Κάλυμμα αλυσοτροχού 3. Μπουλόνι 4. Πείρος

5. Σφίξτε το παξιμάδι συγκράτησης για να στερεώσετε το κάλυμμα αλυσοτροχού, έπειτα χαλαρώστε το λίγο για τη ρύθμιση της τάσης.

► **Εικ.12:** 1. Παξιμάδι συγκράτησης

Ρύθμιση τέντωματος της αλυσίδας πριονιού

⚠ ΠΡΟΣΟΧΗ: Μην σφίξτε την αλυσίδα πριονιού υπερβολικά. Το υπερβολικό τέντωμα της αλυσίδας πριονιού μπορεί να προκαλέσει το σπάσιμο της αλυσίδας πριονιού, τη φθορά της κατευθυντήριας λάμας και το σπάσιμο του καντράν ρύθμισης.

⚠ ΠΡΟΣΟΧΗ: Εάν η αλυσίδα είναι πολύ χαλαρή, μπορεί να αναπηδήσει από τη λάμα και να προκαλέσει ατύχημα με τραυματισμό.

Μετά από πολλές ώρες εργασίας, η αλυσίδα πριονιού μπορεί να χαλαρώσει. Περιστασιακά, να ελέγχετε το τέντωμα της αλυσίδας πριονιού πριν από τη χρήση.

1. Αποδεσμεύστε το φρένο αλυσίδας τραβώντας τον μπροστινό προφυλακτήρα χεριών.

2. Χαλαρώστε λίγο το παξιμάδι συγκράτησης για να χαλαρώσετε ελαφρά το κάλυμμα αλυσοτροχού.

► **Εικ.13:** 1. Παξιμάδι συγκράτησης

3. Σηκώστε την κατευθυντήρια λάμα λίγο προς τα πάνω και ρυθμίστε το τέντωμα αλυσίδας. Περιστρέψτε τη βίδα ρύθμισης αλυσίδας δεξιόστροφα για σφίξιμο, περιστρέψτε τη αριστερόστροφα για χαλάρωση.

Για Λεπίδα αλυσίδας 90ΡΧ και 91ΡΧ:

Σφίξτε την αλυσίδα πριονιού μέχρι η κάτω πλευρά της αλυσίδας πριονιού να ταιριάζει στη ράγα της κατευθυντήριας λάμας όπως απεικονίζεται.

- **Εικ.14:** 1. Κατευθυντήρια λάμα 2. Αλυσίδα πριονιού 3. Βίδα ρύθμισης αλυσίδας

Για Λεπίδα αλυσίδας 25ΑΡ:

Σφίξτε την αλυσίδα πριονιού ώστε το διάκενο μεταξύ του κέντρου του κάτω τμήματος της κατευθυντήριας λάμας και της αλυσίδας πριονιού να γίνει περίπου 1 mm έως 2 mm.

- 4. Συνεχίστε να κρατάτε την κατευθυντήρια λάμα ελαφρά και σφίξτε το κάλυμμα αλυσοτροχού.

Για Λεπίδα αλυσίδας 90ΡΧ και 91ΡΧ:

Βεβαιωθείτε ότι η αλυσίδα πριονιού δεν χαλαρώνει στην κάτω πλευρά.

Για Λεπίδα αλυσίδας 25ΑΡ:

Βεβαιωθείτε ότι το διάκενο μεταξύ του κέντρου του κάτω τμήματος της κατευθυντήριας λάμας και της αλυσίδας πριονιού είναι περίπου 1 mm έως 2 mm.

- 5. Σφίξτε το παξιμάδι συγκράτησης για να ασφαλίσετε το κάλυμμα αλυσοτροχού.

- **Εικ.15:** 1. Παξιμάδι συγκράτησης

Βεβαιωθείτε ότι η αλυσίδα πριονιού ταιριάζει καλά επάνω στην κάτω πλευρά της λάμας.

Αγκυλωτός προφυλακτήρας

Προαιρετικό εξάρτημα

Όταν κόβετε χονδρά κλαδιά, συνιστάται η χρήση αγκυλωτού προφυλακτήρα. Για να εγκαταστήσετε τον αγκυλωτό προφυλακτήρα, εκτελέστε τα ακόλουθα βήματα:

1. Αφαιρέστε το κάλυμμα αλυσοτροχού, την αλυσίδα πριονιού και την κατευθυντήρια λάμα.
 2. Ευθυγραμμίστε τις οπές του αγκυλωτού προφυλακτήρα με τις οπές στο σώμα του αλυσοπριονίου και μετά σφίξτε καλά τις βίδες.
- **Εικ.16:** 1. Βίδα 2. Αγκυλωτός προφυλακτήρας

ΛΕΙΤΟΥΡΓΙΑ

Λίπανση

Όταν το εργαλείο βρίσκεται σε λειτουργία γίνεται αυτόματη λίπανση της αλυσίδας πριονιού. Ελέγχετε περιοδικά την ποσότητα του υπολειπόμενου λαδιού εντός του δοχείου λαδιού μέσω της θύρας επιθεώρησης λαδιού. Για επαναπλήρωση του δοχείου, τοποθετήστε το αλυσοπρίονο στο πλάι και αφαιρέστε το καπάκι δοχείου λαδιού. Η σωστή ποσότητα λαδιού είναι 140 ml. Αφού επαναπληρώσετε το δοχείο, βεβαιωθείτε ότι το καπάκι δοχείου λαδιού είναι καλά σφικμένο.

- **Εικ.17:** 1. Καπάκι δοχείου λαδιού 2. Θύρα επιθεώρησης λαδιού

Μετά την επαναπλήρωση, κρατήστε το αλυσοπρίονο μακριά από το δέντρο. Θέστε το σε λειτουργία και περιμένετε, έως ότου η αλυσίδα πριονιού λιπανθεί επαρκώς.

- **Εικ.18**

ΕΙΔΟΠΟΙΗΣΗ: Όταν γεμίσετε με λάδι αλυσίδας για πρώτη φορά, ή σε επακόλουθη πλήρωση του δοχείου όταν αυτό έχει αδειάσει εντελώς, προσθέστε λάδι μέχρι το κάτω μέρος του στομιού πλήρωσης. Διαφορετικά, μπορεί να παρεμποδίζεται η παροχή λαδιού.

ΕΙΔΟΠΟΙΗΣΗ: Χρησιμοποιήστε το λάδι αλυσίδας πριονιού αποκλειστικά για αλυσοπρίονα Makita ή ισοδύναμο λάδι που διατίθεται στην αγορά.

ΕΙΔΟΠΟΙΗΣΗ: Να μη χρησιμοποιείτε ποτέ λάδι που περιέχει ίχνη σκόνης και σωματιδία ή πτητικό λάδι.

ΕΙΔΟΠΟΙΗΣΗ: Στο κλάδεμα δέντρων, να χρησιμοποιείτε βοτανικό λάδι. Το ορυκτέλαιο μπορεί να βλάψει τα δέντρα.

ΕΙΔΟΠΟΙΗΣΗ: Πριν από τη λειτουργία κοπής, βεβαιωθείτε ότι βιδώσατε το καπάκι δοχείου λαδιού που παρέχεται.

ΕΡΓΑΣΙΑ ΜΕ ΤΟ ΑΛΥΣΟΠΡΙΟΝΟ

▲ΠΡΟΣΟΧΗ: Την πρώτη φορά, προς απόκτηση ελάχιστης εμπειρίας, ο χρήστης θα πρέπει να επιχειρήσει να κόψει κούτσουρα πάνω σε τρίποδο πριονίσματος ή βάση στήριξης.

▲ΠΡΟΣΟΧΗ: Όταν πριονίζετε ξυλεία που έχει ήδη κοπεί, να χρησιμοποιείτε μια ασφαλή υποστήριξη (τρίποδο πριονίσματος ή βάση στήριξης). Μην προσπαθήσετε να κρατήσετε το τεμάχιο εργασίας σταθερό με το πόδι σας, και μην αφήσετε κανέναν να το κρατάει ή να προσπαθήσει να το κρατήσει σταθερό.

▲ΠΡΟΣΟΧΗ: Ασφαλίστε τα στρογγυλά τεμάχια από την περιστροφή.

▲ΠΡΟΣΟΧΗ: Κρατάτε όλα τα μέρη του σώματός σας μακριά από την αλυσίδα πριονιού όταν το μοτέρ λειτουργεί.

▲ΠΡΟΣΟΧΗ: Κρατάτε το αλυσοπρίονο γερά με τα δύο σας χέρια όταν το μοτέρ λειτουργεί.

▲ΠΡΟΣΟΧΗ: Μην υποβάλλετε σε υπερπροσπάθεια. Κρατάτε πάντα σταθερό πάτημα και την ισορροπία σας.

ΕΙΔΟΠΟΙΗΣΗ: Ποτέ μην πετάτε και μην ρίχνετε κάτω το εργαλείο.

ΕΙΔΟΠΟΙΗΣΗ: Μην καλύπτετε τις οπές αερισμού του εργαλείου.

Κλάδεμα δέντρων

Φέρτε το σώμα του αλυσοπριονίου σε επαφή με το κλαδί που θα κόψετε πριν ενεργοποιήσετε το εργαλείο. Διαφορετικά, μπορεί να προκληθεί η δόνηση της κατευθυντήριας λάμας, έχοντας ως αποτέλεσμα τον τραυματισμό του χειριστή. Πριονίστε το ξύλο που θέλετε να κόψετε απλώς μετακινώντας το αλυσοπρίονο προς τα κάτω χρησιμοποιώντας το βάρος του.

- **Εικ.19**

Εάν δεν μπορείτε να κόψετε το ξύλο τελείως με μια προσπάθεια:

Εφαρμόστε ελαφριά πίεση στη λαβή και συνεχίστε το πριόνισμα και τραβήξτε το αλυσοπριόνιο λίγο προς τα πίσω.

► **Εικ.20**

Όταν κόβετε χονδρά κλαδιά, δημιουργήστε πρώτα μια ρηχή υποτομή και μετά προχωρήστε με την τελική κοπή από το πάνω μέρος.

► **Εικ.21**

Αν προσπαθείτε να κόψετε τα χονδρά κλαδιά από το κάτω μέρος, το κλαδί μπορεί να γείρει προς τα κάτω και να πιάσει την αλυσίδα πριονιού κατά την κοπή. Αν προσπαθείτε να κόψετε τα χονδρά κλαδιά από το πάνω μέρος χωρίς να δημιουργήσετε πρώτα μια ρηχή υποτομή, το κλαδί μπορεί να σκιστεί.

► **Εικ.22**

Τεμαχισμός

1. Ακουμπήστε το σώμα του αλυσοπριονίου στο ξύλο που θα κόψετε.

► **Εικ.23**

2. Με την αλυσίδα πριονιού να λειτουργεί, πριονίστε το ξύλο χρησιμοποιώντας την άνω λαβή για να σηκώσετε το πριόνι και την μπροστινή λαβή για να το καθοδηγήσετε.

3. Συνεχίστε την κοπή ασκώντας ελαφριά πίεση στην άνω λαβή και κρατώντας το πριόνι λίγο προς τα πίσω.

ΕΙΔΟΠΟΙΗΣΗ: Όταν εκτελείτε πολλές τομές, να απενεργοποιείτε το αλυσοπριόνιο μεταξύ των τομών.

ΠΡΟΣΟΧΗ: Εάν χρησιμοποιήσετε την άνω ακμή της λάμας για την κοπή, το αλυσοπριόνιο μπορεί να εκτραπεί προς το μέρος σας σε περίπτωση παγίδευσης. Για το λόγο αυτό, η κοπή θα πρέπει να εκτελείται χρησιμοποιώντας την κάτω ακμή, ώστε το αλυσοπριόνιο να εκτρέπεται μακριά από το σώμα σας.

► **Εικ.24**

Όταν κόβετε ξύλο υπό ένταση, κόψτε πρώτα την πλευρά υπό πίεση (Α). Κατόπιν, πραγματοποιήστε την τελική κοπή από την τεντωμένη πλευρά (Β). Έτσι θα αποφύγετε τυχόν παγίδευση της λάμας.

► **Εικ.25**

Αποκλάδωση

ΠΡΟΣΟΧΗ: Η εργασία της αποκλάδωσης θα πρέπει να εκτελείται μόνο από εκπαιδευμένα άτομα. Η πιθανότητα κλοστήματος αποτελεί κίνδυνο.

Όταν διενεργείτε εργασία αποκλάδωσης, να στηρίζετε το αλυσοπριόνιο πάνω στον κορμό, εάν είναι δυνατόν. Δεν θα πρέπει να χρησιμοποιείτε το άκρο της λάμας για την κοπή, επειδή υπάρχει κίνδυνος κλοστήματος. Να προσέχετε ιδιαίτερα τα κλαδιά υπό ένταση. Μην κόβετε μη υποστηριζόμενα κλαδιά από το κάτω μέρος. Μην στέκεστε πάνω στον τεμαχισμένο κορμό κατά την αποκλάδωση.

Μεταφορά εργαλείου

Πριν μεταφέρετε το εργαλείο, να εφαρμόζετε πάντα το φρένο αλυσίδας και να αφαιρείτε τις κασέτες μπαταριών από το εργαλείο. Κατόπιν, προσαρτήστε το κάλυμμα κατευθυντήριας λάμας. Επίσης, να καλύπτετε την κασέτα μπαταριών με το κάλυμμα μπαταρίας.

► **Εικ.26:** 1. Κάλυμμα κατευθυντήριας λάμας
2. Κάλυμμα μπαταρίας

ΣΥΝΤΗΡΗΣΗ

ΠΡΟΣΟΧΗ: Πριν την εκτέλεση εργασιών επιθεώρησης ή συντήρησης, πάντοτε να βεβαιώνετε ότι η συσκευή απενεργοποιήθηκε και η κασέτα μπαταριών έχει αφαιρεθεί.

ΠΡΟΣΟΧΗ: Να φοράτε πάντα γάντια όταν εκτελείτε έλεγχο ή συντήρησης.

ΕΙΔΟΠΟΙΗΣΗ: Μην χρησιμοποιείτε ποτέ βενζίνη, πετρελαϊκό αιθέρα, διαλυτικό, αλκοόλη ή παρόμοιες ουσίες. Μπορεί να προκαλέσει αποχρωματισμός, παραμόρφωση ή ρωγμές.

Για τη διατήρηση της ΑΣΦΑΛΕΙΑΣ και ΑΞΙΟΠΙΣΤΙΑΣ του προϊόντος, οι επισκευές και οποιαδήποτε άλλη εργασία συντήρησης ή ρύθμισης πρέπει να εκτελούνται από εξουσιοδοτημένα ή εργοστασιακά κέντρα εξυπηρέτησης της Makita, χρησιμοποιώντας πάντοτε ανταλλακτικά της Makita.

Ακόνισμα της αλυσίδας πριονιού

Να τροχίζετε την αλυσίδα πριονιού όταν:

- Παράγεται αλευρώδες πριονίδι κατά την κοπή υγρού ξύλου,
- Η αλυσίδα διαπερνά το ξύλο με δυσκολία, ακόμη και όταν ασκείται μεγάλη πίεση,
- Είναι προφανές ότι η ακμή κοπής έχει υποστεί ζημία,
- Το πριόνι ωθείται αριστερά ή δεξιά εντός του ξύλου. (προκαλείται από ακανόνιστο ακόνισμα της αλυσίδας πριονιού ή βλάβη μόνο στη μία πλευρά)

Να ακονίζετε την αλυσίδα πριονιού συχνά, αλλά λίγο κάθε φορά. Δύο ή τρία περάσματα με τη λίμα επαρκούν συνήθως για λόγους τροχίσματος ρουτίνας. Όταν έχετε επαναλάβει το ακόνισμα της αλυσίδας πριονιού αρκετές φορές, ζητήστε να ακονιστεί σε ένα εξουσιοδοτημένο κέντρο σέρβις μας.

Κριτήρια ακονίσματος:

ΠΡΟΕΙΔΟΠΟΙΗΣΗ: Μια μεγάλη απόσταση μεταξύ του άκρου κοπής και του ρυθμιστή βάθους αυξάνει τον κίνδυνο κλοστήματος.

► **Εικ.27:** 1. Μήκος κόπτη 2. Απόσταση μεταξύ άκρου κοπής και ρυθμιστή βάθους 3. Ελάχιστο μήκος κόπτη (3 mm)

— Όλο το μήκος κόπτη πρέπει να είναι ίσο. Τα διαφορετικά μήκη κοπών εμποδίζουν την ομαλή λειτουργία της αλυσίδας πριονιού και μπορεί να προκαλέσουν το σπάσιμο της αλυσίδας πριονιού.

- Μην ακονίζετε την αλυσίδα όταν το ελάχιστο μήκος κοπτών έχει φτάσει στα 3 mm ή λιγότερο. Η αλυσίδα πρέπει να αντικατασταθεί με μια καινούρια.
- Το πάχος θραυσμάτων καθορίζεται από την απόσταση μεταξύ του ρυθμιστή βάθους (στρογγυλή μύτη) και του άκρου κοπής.
- Θα έχετε τα καλύτερα αποτελέσματα κοπής με την ακόλουθη απόσταση μεταξύ του άκρου κοπής και του ρυθμιστή βάθους.
 - Λεπίδα αλυσίδας 90PX: 0,65 mm
 - Λεπίδα αλυσίδας 91PX: 0,65 mm
 - Λεπίδα αλυσίδας 25AP: 0,65 mm

► Εικ.28

- Όλοι οι κόπτες θα πρέπει να έχουν την ίδια γωνία ακονίσματος των 30°. Οι διαφορετικές γωνίες κόπτη αναγκάζουν την αλυσίδα να κινείται δύσκολα και ανομοιόμορφα, επιταχύνουν η φθορά και προκαλούν σπάσιμο της αλυσίδας.
- Χρησιμοποιήστε μια κατάλληλη στρογγυλή λίμα ώστε να διατηρείται η σωστή γωνία ακονίσματος σε σχέση με τα δόντια.
 - Λεπίδα αλυσίδας 90PX: 55°
 - Λεπίδα αλυσίδας 91PX: 55°
 - Λεπίδα αλυσίδας 25AP: 55°

Λίμα και καθοδήγηση λίμας

- Να χρησιμοποιείτε ειδική στρογγυλή λίμα (προαιρετικό εξάρτημα) για αλυσίδες πριονιού για να ακονίσετε την αλυσίδα. Οι συνηθισμένες στρογγυλές λίμες δεν είναι κατάλληλες.
- Η διάμετρος της στρογγυλής λίμας για κάθε αλυσίδα πριονιού είναι η εξής:
 - Λεπίδα αλυσίδας 90PX: 4,5 mm
 - Λεπίδα αλυσίδας 91PX: 4,0 mm
 - Λεπίδα αλυσίδας 25AP: 4,0 mm
- Η λίμα θα πρέπει να έρχεται σε επαφή με τον κόπτη μόνο κατά την εμπρόσθια κίνηση. Ανασπώστε τη λίμα από τον κόπτη κατά τη διαδρομή επιστροφής.
- Ακονίστε πρώτα τον πιο κοντό κόπτη. Μετά, το μήκος αυτού του πιο κοντού κόπτη γίνεται το πρότυπο για όλους τους άλλους κόπτες στην αλυσίδα πριονιού.
- Να οδηγείτε τη λίμα όπως υποδεικνύεται στην εικόνα.

► Εικ.29: 1. Λίμα 2. Αλυσίδα πριονιού

- Η οδήγηση της λίμας καθίσταται πιο εύκολη, εάν χρησιμοποιείτε συγκρατητήρα λίμας (προαιρετικό εξάρτημα). Ο συγκρατητήρας λίμας διαθέτει ενδείξεις για την κατάλληλη γωνία τρόχισματος 30° (ευθυγραμμίστε τις ενδείξεις παράλληλα με την αλυσίδα πριονιού) και περιορίζει το βάθος διεύθυνσης (σε 4/5 της διαμέτρου της λίμας).

► Εικ.30: 1. Συγκρατητήρας λίμας

- Μετά από το τρόχισμα της αλυσίδας, ελέγξτε το ύψος του ρυθμιστή βάθους κοπής χρησιμοποιώντας το εργαλείο μέτρησης αλυσίδας (προαιρετικό εξάρτημα).

► Εικ.31

- Αφαιρέστε τυχόν προεξέχον υλικό, όσο μικρό και εάν είναι, με ειδική επίπεδη λίμα (προαιρετικό εξάρτημα).
- Αποτελείστε το μπροστινό μέρος του ρυθμιστή βάθους κοπής ξανά.

Καθαρισμός της κατευθυντήριας λάμας

Ρινίσματα και πριονόσκονη θα συσσωρευτούν στην εγκοπή της κατευθυντήριας λάμας. Μπορεί να βουλώσουν την εγκοπή της λάμας και να ελαττώσουν τη ροή του λαδιού. Να καθαρίζετε τα ρινίσματα και την πριονόσκονη κάθε φορά που ακονίζετε ή αντικαθιστάτε την αλυσίδα πριονιού.

► Εικ.32

Καθαρισμός του καλύμματος αλυσοτροχού

Στο εσωτερικό του καλύμματος αλυσοτροχού θα συσσωρευτούν ρινίσματα και πριονόσκονη. Αφαιρέστε το κάλυμμα αλυσοτροχού και την αλυσίδα πριονιού από το εργαλείο και μετά καθαρίστε τα ρινίσματα και την πριονόσκονη.

► Εικ.33

Καθαρισμός οπής παροχής λαδιού

Μπορεί να παρουσιαστεί συσσώρευση σκόνης και σωματιδίων εντός της οπής παροχής λαδιού στη διάρκεια της λειτουργίας. Αυτή η σκόνη ή σωματίδια μπορεί να παρεμποδίζει τη ροή λαδιού και να προκαλέσει ανεπαρκή λίπανση ολόκληρης της αλυσίδας πριονιού. Όταν παρατηρηθεί κακή παροχή λαδιού λίπανσης στο πάνω μέρος της κατευθυντήριας λάμας, καθαρίστε την οπή παροχής λαδιού ως ακολούθως.

1. Αφαιρέστε το κάλυμμα αλυσοτροχού και την αλυσίδα πριονιού από το εργαλείο.
 2. Αφαιρέστε τη σκόνη ή τα μικρά σωματίδια χρησιμοποιώντας ένα κατασβίδι με επίπεδη μύτη, με λεπτό άξονα, ή κάποιο παρόμοιο εργαλείο.
- Εικ.34: 1. Κατασβίδι με επίπεδη μύτη 2. Οπή παροχής λαδιού
3. Τοποθετήστε την κασέτα μπαταριών στο εργαλείο. Τραβήξτε τη σκανδάλη διακοπής ώστε η συσσωρευμένη σκόνη και τα σωματίδια να αποβληθούν από την οπή παροχής λαδιού μέσω της ροής λαδιού.
 4. Αφαιρέστε την κασέτα μπαταριών από το εργαλείο. Τοποθετήστε εκ νέου την αλυσίδα πριονιού και το κάλυμμα αλυσοτροχού στο εργαλείο.

Αντικατάσταση του αλυσοτροχού

▲ ΠΡΟΣΟΧΗ: Ένας φθαρμένος αλυσοτροχός θα προκαλέσει φθορά στη νέα αλυσίδα πριονιού. Σε αυτή την περίπτωση αντικαταστήστε τον αλυσοτροχό.

Πριν από την τοποθέτηση μιας νέας αλυσίδας πριονιού, ελέγξτε την κατάσταση του αλυσοτροχού.

► Εικ.35: 1. Αλυσοτροχός 2. Φθαρμένες περιοχές

Να τοποθετείτε πάντα νέο ασφαλιστικό δακτύλιο, όταν αντικαθιστάτε τον αλυσοτροχό.

► Εικ.36: 1. Ασφαλιστικός δακτύλιος 2. Αλυσοτροχός

ΕΙΔΟΠΟΙΗΣΗ: Βεβαιωθείτε ότι ο αλυσοτροχός είναι τοποθετημένος όπως απεικονίζεται στην εικόνα.

Αποθήκευση του εργαλείου

1. Καθαρίστε το εργαλείο πριν από τη φύλαξη. Αφαιρέστε τυχόν ροκανίδια και πριονίδι από το εργαλείο μετά από την αφαίρεση του καλύμματος αλυστροχού.
2. Μετά από τον καθαρισμό του εργαλείου, αφήστε το σε λειτουργία χωρίς φορτίο ώστε να λιπανθεί η αλυσίδα πριονιού και η κατευθυντήρια λάμα.
3. Καλύψτε την κατευθυντήρια λάμα με το κάλυμμα κατευθυντήριας λάμας.
4. Αδειάστε το δοχείο λαδιού.

Οδηγίες για περιοδική συντήρηση

Για τη διασφάλιση της μακράς ζωής λειτουργίας, την αποφυγή της ζημιάς και τη διασφάλιση της πλήρους λειτουργικότητας των δυνατοτήτων ασφάλειας, πρέπει να εκτελείτε τις ακόλουθες εργασίες συντήρησης σε τακτά χρονικά διαστήματα. Η εγγύηση θα αναγνωριστεί μόνο εάν εκτελείτε σωστά τις εργασίες αυτές σε τακτά χρονικά διαστήματα. Εάν δεν εκτελέσετε τις συνιστώμενες εργασίες συντήρησης, μπορεί να προκληθούν ατυχήματα! Ο χρήστης του αλυσοπριονίου δεν πρέπει να εκτελεί εργασίες συντήρησης που δεν περιγράφονται στο εγχειρίδιο οδηγιών. Όλες αυτές οι εργασίες πρέπει να εκτελούνται από εξουσιοδοτημένο κέντρο σέρβις.

Στοιχείο ελέγχου / Χρόνος λειτουργίας		Πριν από τη λειτουργία	Κάθε ημέρα	Κάθε εβδομάδα	Κάθε 3 μήνες	Κάθε χρόνο	Πριν από την αποθήκευση
Αλυσοπριονίο	Επιθεωρήστε.	✓	-	-	-	-	-
	Καθαρίστε.	-	✓	-	-	-	-
	Ελέγξτε σε εξουσιοδοτημένο κέντρο σέρβις.	-	-	-	-	✓	✓
Αλυσίδα πριονιού	Επιθεωρήστε.	✓	-	-	-	-	-
	Ακονίστε εάν απαιτείται.	-	-	-	-	-	✓
Κατευθυντήρια λάμα	Επιθεωρήστε.	✓	✓	-	-	-	-
	Αφαιρέστε από το αλυσοπριονίο.	-	-	-	-	-	✓
Φρένο αλυσίδας	Ελέγξτε τη λειτουργία.	✓	-	-	-	-	-
	Πηγαίνετε το σε εξουσιοδοτημένο κέντρο σέρβις για τακτική επιθεώρηση.	-	-	-	✓	-	-
Λίπανση αλυσίδας	Ελέγξτε την παροχή τροφοδοσίας λαδιού.	✓	-	-	-	-	-
Σκανδάλη διακόπτης	Επιθεωρήστε.	✓	-	-	-	-	-
Μοχλός ασφάλισης	Επιθεωρήστε.	✓	-	-	-	-	-
Καπάκι δοχείου λαδιού	Ελέγξτε ότι είναι σφικμένο.	✓	-	-	-	-	-
Συγκρατήρας αλυσίδας	Επιθεωρήστε.	-	-	✓	-	-	-
Βίδες και παξιμάδια	Επιθεωρήστε.	-	-	✓	-	-	-

ΑΝΤΙΜΕΤΩΠΙΣΗ ΠΡΟΒΛΗΜΑΤΩΝ

Πριν ζητήσετε επισκευές, εκτελέστε αρχικά τη δική σας επιθεώρηση. Αν εντοπίσετε πρόβλημα που δεν επεξηγείται στο εγχειρίδιο, μην επιχειρήσετε να αποσυναρμολογήσετε το εργαλείο. Αντ' αυτού, ζητήστε βοήθεια από εξουσιοδοτημένα κέντρα εξυπηρέτησης της Makita και πάντοτε να χρησιμοποιείτε γνήσια ανταλλακτικά της Makita.

Κατάσταση δυσλειτουργίας	Αιτία	Ενέργεια
Το αλυσοπρίονο δεν ξεκινά.	Δεν είναι τοποθετημένη η κασέτα μπαταριών.	Τοποθετήστε μια φορτισμένη κασέτα μπαταριών.
	Πρόβλημα μπαταρίας (χαμηλή τάση).	Επαναφορτίστε τις κασέτες μπαταριών. Εάν η επαναφόρτιση δεν είναι αποτελεσματική, αντικαταστήστε την κασέτα μπαταριών.
	Ο διακόπτης κύριας λειτουργίας είναι ανενεργός.	Το αλυσοπρίονο απενεργοποιείται αυτόματα εάν δεν λειτουργεί για μια καθορισμένη χρονική περίοδο. Ενεργοποιήστε ξανά το διακόπτη κύριας λειτουργίας.
Η αλυσίδα πριονιού δεν λειτουργεί.	Ενεργοποιημένο φρένο αλυσίδας.	Αποδεσμεύστε το φρένο αλυσίδας.
Το μοτέρ σταματά να λειτουργεί μετά από μικρή χρήση.	Το επίπεδο φόρτισης μπαταρίας είναι χαμηλό.	Επαναφορτίστε τις κασέτες μπαταριών. Εάν η επαναφόρτιση δεν είναι αποτελεσματική, αντικαταστήστε την κασέτα μπαταριών.
Δεν υπάρχει λάδι στην αλυσίδα.	Το δοχείο λαδιού είναι άδειο.	Γεμίστε το δοχείο λαδιού.
	Η εγκοπή οδηγού λαδιού είναι βρόμικη.	Καθαρίστε την εγκοπή.
	Κακή παροχή λαδιού.	Ρυθμίστε την ποσότητα της παροχής λαδιού με τη βίδα ρύθμισης.
Το αλυσοπρίονο δεν φτάνει τις μέγιστες ΣΑΛ.	Η κασέτα μπαταριών δεν είναι σωστά τοποθετημένη.	Τοποθετήστε τις κασέτες μπαταριών όπως περιγράφεται σε αυτό το εγχειρίδιο.
	Η ισχύς της μπαταρίας μειώνεται.	Επαναφορτίστε την κασέτα μπαταριών. Εάν η επαναφόρτιση δεν είναι αποτελεσματική, αντικαταστήστε την κασέτα μπαταριών.
	Το σύστημα μετάδοσης κίνησης δεν λειτουργεί σωστά.	Απευθυνθείτε στο εξουσιοδοτημένο κέντρο σέρβις της περιοχής σας για επισκευή.
Η λυχνία κύριας λειτουργίας αναβοσβήνει με πράσινο χρώμα.	Τραβήξτε τη σκανδάλη διακόπτη κάτω από μη λειτουργικές συνθήκες.	Τραβήξτε τη σκανδάλη διακόπτη αφού ενεργοποιήσετε το διακόπτη κύριας λειτουργίας και απελευθερώσετε το φρένο αλυσίδας.
Η αλυσίδα δεν σταματάει ακόμη και όταν ενεργοποιείται το φρένο αλυσίδας: Σταματήστε το μηχανήμα αμέσως!	Ο ιμάντας φρένου είναι φθαρμένος.	Απευθυνθείτε στο εξουσιοδοτημένο κέντρο σέρβις της περιοχής σας για επισκευή.
Ασυνήθιστοι κραδασμοί: Σταματήστε το μηχανήμα αμέσως!	Η κατευθυντήρια λάμα ή η αλυσίδα πριονιού είναι χαλαρή.	Ρυθμίστε την κατευθυντήρια λάμα και το τέντωμα της αλυσίδας πριονιού.
	Δυσλειτουργία εργαλείου.	Απευθυνθείτε στο εξουσιοδοτημένο κέντρο σέρβις της περιοχής σας για επισκευή.
Ο τρόπος λειτουργίας ενίσχυσης ροπής δεν είναι διαθέσιμος μετά την αντικατάσταση της κασέτας μπαταριών με μια πλήρως φορτισμένη κασέτα μπαταριών.	Ανάλογα με τις συνθήκες χρήσης, ο τρόπος λειτουργίας ενίσχυσης ροπής δεν είναι διαθέσιμος μετά την αντικατάσταση της κασέτας μπαταριών.	Χρησιμοποιήστε το εργαλείο στον κανονικό τρόπο λειτουργίας μέχρι η τοποθετημένη κασέτα μπαταριών να αδειάσει και μετά αντικαταστήστε την κασέτα μπαταριών με μια πλήρως φορτισμένη κασέτα μπαταριών, ή επαναφορτίστε την κασέτα μπαταριών.

ΠΡΟΑΙΡΕΤΙΚΑ ΕΞΑΡΤΗΜΑΤΑ

▲ ΠΡΟΣΟΧΗ: Αυτά τα εξαρτήματα ή προσαρτήματα συνιστώνται για χρήση με το εργαλείο Makita που περιγράφτηκε στις οδηγίες αυτές. Η χρήση οποιωνδήποτε άλλων εξαρτημάτων ή προσαρτημάτων μπορεί να προκαλέσει άλλων τραυματισμού σε άτομα. Να χρησιμοποιείτε τα εξαρτήματα ή προσαρτήματα μόνο για την χρήση που προορίζονται.

Εάν χρειάζεστε οποιαδήποτε βοήθεια για περισσότερες πληροφορίες σε σχέση με αυτά τα εξαρτήματα, απευθυνθείτε στο τοπικό σας κέντρο εξυπηρέτησης Makita.

- Αλυσίδα πριονιού
- Κατευθυντήρια λάμα
- Κάλυμμα κατευθυντήριας λάμας

- Αλυσοτροχός
- Αγκυλωτός προφυλακτήρας
- Λίμα
- Τσάντα εργαλείων
- Γνήσια μπαταρία και φορτιστής της Makita

▲ ΠΡΟΕΙΔΟΠΟΙΗΣΗ: Εάν αγοράσετε μια κατευθυντήρια λάμα με μήκος διαφορετικό από αυτό της τυπικής κατευθυντήριας λάμας, αγοράστε επίσης ένα κατάλληλο κάλυμμα κατευθυντήριας λάμας. Πρέπει να ταιριάζει και να καλύπτει πλήρως την κατευθυντήρια λάμα στο αλυσοπρίονο.

ΠΑΡΑΤΗΡΗΣΗ: Μερικά στοιχεία στη λίστα μπορεί να συμπεριλαμβάνονται στη συσκευασία εργαλείου ως στάνταρ εξαρτήματα. Μπορεί να διαφέρουν ανάλογα με τη χώρα.

TEKNİK ÖZELLİKLER

Model:		DUC204	DUC254	DUC254C
Toplam uzunluk (kılavuz çubuk olmadan)		256 mm		
Nominal voltaj		D.C. 18 V		
Net ağırlık		2,8 - 3,3 kg		
Standart kılavuz çubuk uzunluğu		200 mm	250 mm	
Önerilen kılavuz çubuk uzunluğu	90PX ile	200 - 250 mm		-
	91PX ile	-	250 mm	-
	25AP ile	-	-	250 mm
Kullanılabilir testere zinciri türü (aşağıdaki tabloya bakın)		90PX	90PX 91PX	25AP
Standart zincir dişlisi	Diş sayısı	6		9
	Diş aralığı	3/8"		1/4"
Zincir hızı		0 - 24 m/s (0 - 1.440 m/min)		0 - 22,5 m/s (0 - 1.350 m/min)
Zincir yağı tank hacmi		140 cm ³		

- Sürekli yapılan araştırma ve geliştirmelerden dolayı, burada belirtilen özellikler önceden bildirilmeksizin değiştirilebilir.
- Teknik özellikler ülkeden ülkeye farklılık gösterebilir.
- Ağırlık, ekli aksesuara/aksesuarlara ve batarya kartuşuna bağlı olarak farklılık gösterebilir. EPTA-Prosedürü 01/2014'e göre en hafif ve en ağır kombinasyonlar tabloda verilmiştir.

Geçerli batarya kartuşu

BL 1815N / BL 1820 / BL 1820B / BL 1830 / BL 1830B / BL 1840 / BL 1840B / BL 1850 / BL 1850B / BL 1860B

- Yukarıda listelenen batarya kartuşlarının bazıları yaşadığınız bölgeye bağlı olarak mevcut olmayabilir.

⚠UYARI: Sadece yukarıda listelenen batarya kartuşlarını kullanın. Başka batarya kartuşlarının kullanılması yaralanma ve/veya yangına neden olabilir.

Testere zinciri, kılavuz çubuk ve zincir dişlisi kombinasyonu

Testere zinciri türü		90PX	
Zincir bağlantılarının sayısı		33	40
Kılavuz çubuk	Kılavuz çubuk uzunluğu	200 mm	250 mm
	Kesme uzunluğu	180 mm	244 mm
	Diş aralığı	3/8"	
	Zincir kalınlığı	1,1 mm	
	Tip	Zincir dişlisi pala burnu	
Zincir dişlisi	Diş sayısı	6	
	Diş aralığı	3/8"	

Testere zinciri türü		91PX	
Zincir bağlantılarının sayısı		40	
Kılavuz çubuk	Kılavuz çubuk uzunluğu	250 mm	
	Kesme uzunluğu	244 mm	
	Diş aralığı	3/8"	
	Zincir kalınlığı	1,3 mm	
	Tip	Zincir dişlisi pala burnu	
Zincir dişlisi	Diş sayısı	6	
	Diş aralığı	3/8"	

Testere zinciri türü		25AP
Zincir bağlantılarının sayısı		60
Kılavuz çubuk	Kılavuz çubuk uzunluğu	250 mm
	Kesme uzunluğu	250 mm
	Diş aralığı	1/4"
	Zincir kalınlığı	1,3 mm
	Tip	Oyma çubuğu
Zincir dişlisi	Diş sayısı	9
	Diş aralığı	1/4"

ÖNEMLİ NOT: 25AP testere zincirini kullanırken Zincir dişlisi 9 (isteğe bağlı aksesuar) ile kullanın.

UYARI: Kılavuz çubuk ile testere zincirinin uygun bir kombinasyonunu kullanın. Aksi takdirde kişisel yaralanmalar meydana gelebilir.

Semboller

Aşağıdakiler makinenin için kullanılan sembolleri göstermektedir. Kullanmadan önce manalarını anladığınızdan emin olunuz.



Kullanma kılavuzunu okuyun.



Güvenlik gözlüğü takın.



Kulak koruyucuları takın.



Kask, koruyucu gözlük ve kulak koruyucu takın.



Ayak-bacak ve el-kol için uygun koruma kullanın.



Bu testere yalnızca uygun eğitim almış operatörler tarafından kullanılmalıdır.



Neme maruz bırakmayın.



İzin verilen maksimum kesme uzunluğu



Zincir testereyi kullanırken daima iki elinizi kullanın.



Zincir hareketinin yönü



Testere zinciri yağını ayarlama



Ni-MH
Li-Ion

Sadece AB ülkeleri için
Elektrik donanımını ve batarya kutusunu evsel atıklarla birlikte bertaraf etmeyiniz!
Atık Elektrikli ve Elektronik Donanımlar, Piller ve Akümülatörler ve Atık Piller ve Akümülatörler konusundaki Avrupa Direktifleri ve bunların ulusal yasalara uygulanmaları uyarınca, kullanım ömürleri biten elektrikli donanımların, pillerin ve pil takım(lar)ının ayrı toplanmaları ve çevreye uyumlu bir geri dönüşüm tesisine getirilmeleri gereklidir.

Kullanım amacı

Alet, dalları kesmek ve ağaçları budamak için tasarlanmıştır. Ağaç hizmetleri için de uygundur.

Gürültü

Tipik A-ağırlıklı gürültü düzeyi (IEC62841-4-1 standardına göre belirlenen):

Model DUC204

Ses basınç seviyesi (L_{pA}): 92,2 dB (A)

Ses gücü düzeyi (L_{WA}): 103,2 dB (A)

Belirsizlik (K): 2,5 dB (A)

Model DUC254

Ses basınç seviyesi (L_{pA}): 92,2 dB (A)

Ses gücü düzeyi (L_{WA}): 103,2 dB (A)

Belirsizlik (K): 2,5 dB (A)

Model DUC254C

Ses basınç seviyesi (L_{pA}): 92,2 dB (A)

Ses gücü düzeyi (L_{WA}): 103,2 dB (A)

Belirsizlik (K): 2,5dB (A)

UYARI: Kulak koruyucuları takın.

Titreşim

Titreşim toplam değeri (üç eksenli vektör toplamı) (IEC62841-4-1 standardına göre hesaplanan):

Model DUC204

Çalışma modu: ahşap kesme

Titreşim emisyonu ($a_{h,v}$): 3,1 m/s²

Belirsizlik (K) : 1,5 m/s²

Model DUC254

Çalışma modu: ahşap kesme

Titreşim emisyonu ($a_{h,v}$): 3,1 m/s²

Belirsizlik (K) : 1,5 m/s²

Model DUC254C

Çalışma modu: ahşap kesme

Titreşim emisyonu ($a_{h,v}$): 4,1m/s²

Belirsizlik (K) : 1,5 m/s²

NOT: Beyan edilen titreşim emisyon değeri standart test yöntemine uygun şekilde ölçülmüştür ve bir aleti bir başkasıyla karşılaştırmak için kullanılabilir.

NOT: Beyan edilen titreşim emisyon değeri bir ön maruz kalma değerlendirmesi olarak da kullanılabilir.

⚠UYARI: Bu elektrikli aletin gerçek kullanımı sıradındaki titreşim emisyonu aletin kullanım biçimlerine bağlı olarak beyan edilen emisyon değerinden farklı olabilir.

⚠UYARI: Gerçek kullanım koşullarındaki maruz kalmanın bir tahmini hesaplaması temelinde operatörü koruyacak güvenlik önlemlerini mutlaka belirleyin (çalışma döngüsü içerisinde aletin kapalı olduğu ve aktif durumda olmasının yanı sıra boşta çalıştığı zamanlar gibi, bütün zaman dilimleri göz önünde bulundurulacak değerlendirilmelidir).

EC Uygunluk Beyanı

Sadece Avrupa ülkeleri için

EC uygunluk beyanı bu kullanım kılavuzuna Ek A olarak eklenmiştir.

GÜVENLİK UYARILARI

Genel elektrikli alet güvenliği uyarıları

⚠UYARI: Bu elektrikli aletle birlikte sunulan tüm güvenlik uyarılarını, talimatları, çizimleri ve teknik özellikleri okuyun. Aşağıda verilen talimatlara uyulmaması elektrik şoku, yangın ve/veya ciddi yaralanmalar ile sonuçlanabilir.

Tüm uyarıları ve talimatları ile-ride başvurmak için saklayın.

Uyarılardaki "elektrikli alet" terimi ile ya prizden çalışan (kordonlu) elektrikli aletinizi ya da kendi aküsü ile çalışan (kordsuz) elektrikli aletinizi kastedilmektedir.

Akülü Ağaç Kesme güvenli uyarıları

- Zincir testere çalışırken vücudunuzun her kısmını testere zincirinden uzak tutun. Zincir testereyi çalıştırmadan önce, testere zincirinin hiçbir şeye temas etmediğinden emin olun.** Zincir testereyi kullanırken bir anlık bir dikkatsizlik, giysinizi veya vücudunuzu testere zincirine kaptırmazsa neden olabilir.
- Zincir testereyi daima sağ elinizle üst tutamağın- dan ve sol elinizle ön tutamağın- dan tutun.** Zincir testereyi ters bir el düzeni ile tutmak yaralanma riskini artırır ve kesinlikle yapılmamalıdır.
- Bu elektrikli aleti sadece yalıtımlı kavrama yüzeyinden tutun çünkü testere zinciri görünmeyen elektrik kablolarına temas edebilir.** Testere zincirinin "akımlı" bir telle temas etmesi elektrikli aletin yalıtımsız metal kısımlarını "akımlı" hale getirebilir ve kullanıcıyı elektrik şokuna maruz bırakabilir.
- Emniyet gözlükleri ve kulak koruyucuları kullanın.** Baş, eller, bacaklar ve ayaklar için ayrıca koruyucu donanım kullanılması tavsiye edilir. Yeterli koruyuculuğu olan giysiler uçan kırınıklar ve kazayla testere zincirine temas etme nedeniyle yaralanmaları azaltacaktır.

- Daima yere sağlam basın.**
- Gerilim altındaki bir dalı keserken, geri fırlama-ya karşı tetikte olun.** Ağaç liflerindeki gerilim boşaldığı zaman, yaylanma kuvvetiyle yüklü dal operatöre çarpabilir ve/veya zincir testereyi kontrolsüz şekilde fırlatabilir.
- Çalılar ve fidanlar keserken çok dikkatli olun.** İnce dallı malzeme testere zincirini kıştırabilir ve size doğru kamçı gibi çarpabilir veya sizin denge- nizi bozabilir.
- Zincir testereyi güç anahtarı kapalı olarak, vücudunuzdan uzakta, ön tutamağın- dan tutarak taşıyın. Zincir testereyi naklederken veya saklarken kılavuz çubuk kılıfını daima takın.** Zincir testerenin doğru şekilde tutulması, hareketli testere zincirine kazayla temas etme olasılığını azaltacaktır.
- Yağlama, zincir germe ve aksesuar değiştirme talimatlarına uyun.** Yanlış gerilmiş veya yağ- lanmış zincir kırılabilir veya geri tepme olasılığı artabilir.
- Tutamakları kuru, temiz ve yağ ve gres bulaş- mamış halde bulundurun.** Gresli, yağlı tutamak- lar kaygandır ve kontrol kaybına neden olurlar.
- Sadece ağaç kesin. Zincir testereyi amacı dışında kullanmayın.** Örneğin, zincir testereyi plastik, kâğıt malzemeleri veya ahşap olmayan inşaat malzemelerini kesmek için kullanmayın. Zincir testerenin kullanım amacı dışında kullanılması tehlikeli bir durum ortaya çıkarabilir.
- Geri tepme nedenleri ve operatör tarafından önlenmesi:** Kılavuz çubuğun burnu veya ucu bir cisme değdiği zaman veya ağaç, kesik içindeki testere zincirini kuşatıp, kıştırdığı zaman geri tepme meydana gelebilir. Bazı durumlarda ucun teması ani bir ters etkiyle kılavuz çubuğun yukarı ve operatöre doğru geri tepmesine neden olabilir. Testere zincirinin kılavuz çubuğun üstü boyunca kıştırılması kılavuz çubuğu hızla operatöre doğru geri itebilir. Bu tepkilerden herhangi biri ciddi yaralanmalarla sonuçlanabilecek şekilde, testerenin kontrolünü kaybetmenize neden olabilir. Sadece testerenizin yapısında bulunan güvenlik aygıtlarına güven- meniz. Bir zincir testere kullanıcısı olarak, kesme işinin sırasında kaza veya yaralanma olmamasını sağlamak için birçok önlem alınması gerekir. Geri tepme aletin yanlış kullanılmasının ve/veya yanlış kullanım usulleri veya koşullarının bir sonu- cudur ve aşağıda belirtildiği gibi doğru önlemlerle önlenir:
 - Zincir testereyi her iki elinizle, başparmağınız ve diğer parmaklarınız tutamakları saracak şekilde, sıkıca kavrayın ve vücudunuzu ve kolunuzu geri tepme kuvvetlerine karşı koyabilecek şekilde konumlandırın. Geri tepme kuvvetleri, eğer doğru önlemler alınırsa, operatör tarafından kontrol edilebilir. Zincir testereyi gevşek tutmayın.

► Şek.1

- Aşırı uzağa uzanmayın ve omuz yüksekliğinin üzerindeki yerleri kesmeyin. Bu, istenmeyen uç temasını önlenmesine yardımcı olur ve beklenmedik durumlarda zincir testerenin daha iyi kontrol edilebilmesini sağlar.

- Sadece imalatçının belirttiği yedek çubukları ve zincirleri kullanın. Yanlış yedek çubuk ve zincir kullanımı zincir kopmasına ve/veya geri tepmeye neden olabilir.
 - Testere zinciri için imalatçının bileme ve bakım talimatlarına uyun. Derinlik ölçüğü yüksekliğinin azaltılması geri tepmenin artmasına yol açabilir.
13. **Çalışmaya başlamadan önce, zincir testerenin iyi çalışır ve güvenlik yönetmeliklerine uygun durumda olduğunu kontrol edin. Özellikle şunları kontrol edin:**
- Zincir freninin doğru çalıştığını;
 - Serbest dönüş freninin doğru çalıştığını;
 - Çubuk ve zincir dişlisi kapağının doğru takıldığını;
 - Zincirin yönetmeliklere uygun şekilde bilenmiş ve gerilmiş olduğunu.
14. **Zincir testereyi zincir kılıfı üstüne takılıyken çalıştırmayın.** Zincir testereyi zincir kılıfı üstünden çalıştırmak, zincir kılıfının ileri fırlayarak operatörün etrafındaki insanlara ve eşyalara zarar vermesine neden olabilir.

Üst tutamaklı zincir testereye özel güvenlik uyarıları

1. **Bu zincir testere özellikle ağaç bakımı ve budama için tasarlanmıştır. Zincir testere yalnızca uygun eğitim almış kişiler tarafından kullanılacak şekilde tasarlanmıştır. İlgili profesyonel organizasyonun tüm talimatlarına, prosedürlerine ve önerilerine uyun. Aksi takdirde ölümcül kazalar meydana gelebilir. Ağaçlarda testere ile kesim için her zaman bir yükselen platform (sepetli vinç, yükseltici platform) kullanılması önerilir. İple inme teknikleri oldukça tehlikelidir ve özel eğitim gerektirir. Operatörler güvenli ekipman kullanımı ve tırmanma teknikleri hakkında bilgi sahibi olmak için eğitilmelidir. Ağaçlarda çalışırken her zaman uygun kemer, halat ve karabinalar kullanın. Hem operatör hem de testere için daima tutucu ekipman kullanın.**
2. **Depolamadan önce kullanma kılavuzuna göre temizlik ve bakım yapın.**
3. **Yakıt veya zincir yağı sızıntısını, aletin hasar görmesini ve yaralanmayı engellemek için araba ile taşırken zincir testerenin güvenli bir şekilde yerleştirilmesini sağlayın.**
4. **Zincir freninin çalışmasını düzenli olarak kontrol edin.**
5. **Zincir yağını ateşe yakın doldurmayın. Zincir yağını doldururken asla sigara içmeyin.**
6. **Ulusal mevzuat, zincir testere kullanımını kısıtlayabilir.**
7. **Ekipman ağır darbe alır veya düşerse işe devam etmeden önce durumunu kontrol edin. Kumandalarda ve güvenlik aygıtlarında arıza olup olmadığını kontrol edin. Herhangi bir hasar veya tereddüt durumunda kontrol ve onarım için yetkili servis merkezimize başvurun.**
8. **Zincir testereyi çalıştırmadan önce daima zincir frenini devreye alın.**

9. **Kesime başlarken testerenin kaymasını (kızak hareketi) veya zıplamasını engellemek için testereyi sıkıca yerinde tutun.**
10. **Kesim sonunda “düşme”den dolayı dengenizi korumaya dikkat edin.**
11. **Rüzgar yönünü ve hızını hesaba katın. Talaş ve zincir yağı buğusundan kaçının.**

Koruyucu ekipman

1. **Kafa, göz, el ve ayak yaralanmalarını engellemek ve işitmenizi korumak için zincir testere ile çalışırken aşağıdaki koruyucu ekipman kullanılmaldır:**
 - Kıyafet türü uygun olmalıdır; başka bir ifade ile bedeni sarmalı ancak engel oluşturmamalıdır. Takı takmayın veya çalılık ya da ağaççıklara takılabilecek kıyafet giymeyin. Saçlarınız uzun ise mutlaka saç filesi takın!
 - Zincir testere çalışırken her durumda koruyucu kask takmak gereklidir. **Koruyucu kask** hasara karşı düzenli aralıklarla kontrol edilmeli ve en geç 5 yılda bir değiştirilmelidir. Yalnızca onaylı koruyucu kasklar kullanın.
 - Koruyucu kaskın **yüz siperi** (veya koruyucu gözlük) talaş ve odun yongasına karşı koruma sağlar. Zincir testere ile çalışma sırasında göz hasarlarını engellemek için koruyucu gözlük veya yüz siperi takın.
 - Yeterli **gürültüye karşı koruma ekipmanı** (koruyucu kulaklık, kulak tıkaçı, vb.) takın.
 - **Koruyucu ceket** 22 kat naylondan oluşan ve operatörü kesiklere karşı korur. Yükseltilmiş platformlardan (sepetli vinç, yükseltici platform), merdivenlere monteli platformlardan çalışırken veya halatlarla tırmanırken daima giyilmelidir.
 - **Koruyucu salopet tulum** 22 katlı naylon kumaştan imal edilmiş olup kesiklere karşı koruma sağlar. Kullanılması şiddetle önerilir.
 - Kalın derinden yapılmış **koruyucu eldivenler** belirtilen ekipmanın bir parçasıdır ve zincir testere ile çalışırken daima giyilmelidir.
 - Zincir testere ile çalışırken kaymaz tabanlı, çelik burunlu ve bacak koruyuculu **güvenlik ayakkabıları** veya **güvenlik botları** daima giyilmelidir. Koruyucu katman ile donatılmış güvenlik ayakkabıları kesiklere karşı koruma sağlar ve yere sağlam basmanıza olanak tanır. Ağaçlarda çalışmak için güvenlik botları, tırmanma tekniklerine uygun olmalıdır.

Titreşim

1. Aşırı titreşime maruz kalan zayıf dolaşım sistemli bireyler, kan damarlarında veya sinir sisteminde tahribat yaşayabilirler. Titreşim parmaklarda, ellerde veya bileklerde aşağıdaki belirtilere neden olabilir: “Uyuklama” (uyuşma), karıncalanma, ağrı, bir şey saplanıyor hissi, ten renginde veya tende değişme. **Bu belirtilerden herhangi biri olursa bir doktora görünün!** “Beyaz parmak hastalığı” riskini azaltmak için çalışma sırasında ellerinizi sıcak tutun ve ekipman ile aksesuarlara iyi bakın.

BU TALİMATLARI SAKLAYIN.

⚠UYARI: Ürünü kullanırken (defalarca kullanınca kazanılan) rahatlık ve tanıdıklık duygusunun ilgili ürünün güvenlik kurallarına sıkı sıkıya bağlı kalmanın yerine geçmesine **İZİN VERMEYİN. YANLIŞ KULLANIM** veya bu kullanma kılavuzunda belirtilen emniyet kurallarına uymama ciddi yaralanmaya neden olabilir.

Batarya kartuşu hakkında önemli güvenlik talimatları

1. Batarya kartuşunu kullanmadan önce, tüm talimatları ve (1) batarya kartuşu, (2) batarya ve (3) ürün üzerindeki tüm uyarı işaretlerini okuyun.
2. Batarya kartuşunu demonte etmeyin.
3. Çalışma süresi aşırı derecede kısalmışsa kullanmayı derhal bırakın. Aşırı ısınma, yanma riski hatta patlamaya neden olabilir.
4. Gözünüze elektrolit kaçarsa, gözlerinizi temiz suyla durulayın ve hemen tıbbi yardım alın. Görme kaybına yol açabilir.
5. Batarya kartuşuna kısa devre yaptırmayın:
 - (1) Terminallere herhangi bir iletken madde deşirdirmeyin.
 - (2) Batarya kartuşunu çiviler, madeni paralar, vb. gibi başka metal nesnelere aynı kaba koymaktan kaçının.
 - (3) Batarya kartuşunu yağmura ya da suya maruz bırakmayın.Kısa devre, büyük bir akım akışına, aşırı ısınmaya, olası yanıklara hatta bataryanın bozulmasına yol açabilir.
6. Aleti ve batarya kartuşunu sıcaklığın 50°C ya da daha yükseğe ulaştığı yerlerde saklamayın.
7. Aşırı derecede hasar görmüş ya da tamamen kullanılmaz durumda olsa bile batarya kartuşunu yakmayın. Batarya kartuşu ateşe atılırsa patlayabilir.
8. Bataryayı düşürmemeye ve çarpmamaya dikkat edin.
9. Hasarlı bataryayı kullanmayın.

10. Aletin içerdığı lityum-iyon bataryalar Tehlikeli Eşyalar Yönetmeliğinin gereksinimlerine tabidir.

Ticari nakliye işlemleri için, örneğin üçüncü taraflar, nakliye acenteleri tarafından yapılan nakliyelerde, paketleme ve etiketleme gereksinimlerine uyulmalıdır.

Nakliyesi yapılacak ürünün hazırlanması için, tehlikeli maddeler konusunda uzman bir kişiyedanişin. Lütfen muhtemelen daha ayrıntılı olan ulusal yönetmeliklere de uyun.

Açık kontakları bantlayın ya da maskeleyin ve bataryayı paketin içinde hareket etmeyecek şekilde paketleyin.

11. Bataryanın elden çıkarılması ile ilgili yerel düzenlemelere uyunuz.
12. Bataryaları sadece Makita tarafından belirtilen ürünlerle kullanın. Bataryaların uyumsuz ürünlere takılması; yangın, aşırı ısınma, patlama ya da elektrolit sızıntısına neden olabilir.

BU TALİMATLARI MUHAFAZA EDİNİZ.

⚠DİKKAT: Sadece orijinal Makita bataryalarını kullanın. Orijinal olmayan Makita bataryaları ya da üzerine değişiklik yapılmış bataryaların kullanımı bataryanın patlamasına ve sonuç olarak yangın, kişisel yaralanma ve hasara neden olabilir. Ayrıca Makita aleti ve şarj aletinin Makita tarafından sunulan garantisini geçersiz olur.

Maksimum batarya ömrü için ipuçları

1. Batarya kartuşunu tamamen boşalmadan önce şarj edin. Aletin gücünün zayıflamaya başladığını fark ettiğinizde aleti durdurun ve batarya kartuşunu şarj edin.
2. Tam dolu bir batarya kartuşunu asla yeniden şarj etmeyin. Aşırı şarj etme bataryanın hizmet ömrünü kısaltır.
3. Batarya kartuşunu 10°C - 40°C oda sıcaklığında şarj edin. Sıcak bir batarya kartuşunu şarj etmeden önce soğumasını bekleyin.
4. Uzun bir süre (altı aydan daha fazla) kullanmadığınız durumlarda batarya kartuşunu şarj edin.

PARÇALARIN TANIMI

► Şek.2

1	Anahtar tetik	2	Üst tutamak	3	Güvenlik kilidi kolu
4	Ön el siperi	5	Kılavuz çubuk	6	Testere zinciri
7	Zincir yakalayıcı	8	Tespit somunu	9	Zincir ayar vidası
10	Yonga kılavuzu	11	Batarya kartuşu	12	Ana güç lambası
13	Ana güç anahtarları	14	Ayar vidası (yağ pompası için)	15	Karabina
16	Ön tutamak	17	Yağ tankı kapağı	18	Kılavuz çubuk kılıfı

İŞLEVSEL NİTELİKLER

⚠ DİKKAT: Alet üzerinde ayarlama veya işleyiş kontrolü yapmadan önce aletin kapalı ve batarya kartuşunun ayrılmış olduğundan daima emin olun.

Batarya kartuşunun takılması ve çıkarılması

⚠ DİKKAT: Batarya kartuşunu takmadan ya da çıkarmadan önce aleti daima kapatın.

⚠ DİKKAT: Batarya kartuşunu takarken veya çıkarırken aleti ve batarya kartuşunu sıkıca tutun. Aletin ve batarya kartuşunun sıkıca tutulmaması bunların düşürülmesine sebep olabilir ve alet ve batarya kartuşunun zarar görmesine ya da ciddi yaralanmasına yol açabilir.

► **Şek.3:** 1. Kırmızı gösterge 2. Düğme 3. Batarya kartuşu

Batarya kartuşunu çıkarmak için, kartuşun ön tarafındaki düğmeyi kaydırarak kartuşu aletten çıkarın.

Batarya kartuşunu takmak için, batarya kartuşu üzerindeki dili yuvanın çentiği ile hizalayın ve yerine oturtun. Hafif bir tık sesi duyulana kadar itip yerine tam oturmasını sağlayın. Düğmenin üst tarafındaki kırmızı gösterge görünüyorsa tam yerine kilitlenmemiş demektir.

⚠ DİKKAT: Batarya kartuşunu daima kırmızı gösterge görünmeyecek şekilde tam olarak takın. Yerine tam oturmazsa, aletten yanlışlıkla düşebilir, sizin ya da çevrenizdeki kişilerin yaralanmasına neden olabilir.

⚠ DİKKAT: Batarya kartuşunu zorlayarak takmayın. Kartuş kolay bir şekilde kaymıyorsa doğru yerleştirilmemiş demektir.

Kalan batarya kapasitesinin gösterilmesi

Sadece göstergeli batarya kartuşları için

► **Şek.4:** 1. Gösterge lambaları 2. Kontrol düğmesi

Kalan batarya kapasitesini göstermesi için batarya kartuşu üzerindeki kontrol düğmesine basın. Gösterge lambaları birkaç saniye yanar.

Gösterge lambaları			Kalan kapasite
Yanıyor	Kapalı	Yanıp sönyüyor	
■	□	▧	%75 ila %100
■ ■ ■ ■			
■ ■ ■ □			%50 ila %75
■ ■ □ □			%25 ila %50
■ □ □ □			%0 ila %25
▧ □ □ □			Bataryayı şarj edin.
■ ■ □ □			Batarya arızalanmış olabilir.
□ □ ■ ■			

NOT: Kullanım koşullarına ve ortam sıcaklığına bağlı olarak, gösterilen değer gerçek kapasiteden biraz farklılık gösterebilir.

Alet/batarya koruma sistemi

Bu alet bir alet/batarya koruma sistemi ile donatılmıştır. Bu sistem motora giden gücü otomatik olarak keserek uzun alet ve batarya ömrü sağlar. Alet veya batarya için aşağıdaki durumlardan biri söz konusu olduğunda aletin işleyişi otomatik olarak durur:

Aşırı yük koruması

Batarya, anormal derecede yüksek akım çekmesine neden olacak şekilde kullanıldığında, alet otomatik olarak durur ve ana güç lambası yeşil yanıp söner. Bu durumda, aleti kapatın ve aletin aşırı yüklenmesine neden olan uygulamayı durdurun. Ardından yeniden başlatmak için aleti çalıştırın.

Aşırı ısınma koruması

Alet veya batarya aşırı ısındığında alet otomatik olarak durur ve ana güç lambası kırmızı yanar. Bu durumda, aleti yeniden çalıştırmadan önce aletin ve bataryanın soğumasını bekleyin.

NOT: Yüksek sıcaklık ortamında aşırı ısınma korumasının çalışması muhtemeldir ve alet otomatik olarak durur.

Aşırı deşarj koruması

Batarya kapasitesi yeterli değilse alet otomatik olarak durur ve ana güç lambası kırmızı yanıp söner. Bu durumda, bataryayı aletten çıkarın ve bataryayı şarj edin.

Ana güç anahtarı

⚠ UYARI: Kullanımda değilken ana güç anahtarını daima kapatın.

Aleti çalıştırmak için ana güç lambası yeşil yanana kadar ana güç anahtarına basın. Kapatmak için, ana güç anahtarına bir kez daha basın.

► **Şek.5:** 1. Ana güç lambası 2. Ana güç anahtarı

NOT: Kullanımın mümkün olmadığı durumlarda anahtar tetik çekilirse ana güç lambası yeşil yanıp söner. Lamba aşağıdaki durumlardan birinde yanıp söner.

- Güvenlik kilidi kolunu ve anahtar tetiği aşağı doğru bastırırken ana güç anahtarını açtığınızda.
- Zincir freni uygulanırken anahtar tetiği çektiğinizde.
- Güvenlik kilidi kolunu aşağı doğru bastırarak ve anahtar tetiği çekerek zincir frenini serbest bıraktığınızda.

NOT: Bu zincir testere otomatik güç kesme fonksiyonuyla donatılmıştır. İstenmeyen başlatmaları önlemek için, ana güç anahtarı açıldıktan sonra belli bir süre boyunca anahtar tetik çekilmezse ana güç anahtarı otomatik olarak kapanacaktır.

Kalın dalları veya sert dalları kesmek için aleti Tork Takviyesi modunda kullanabilirsiniz. Aleti Tork Takviyesi modunda kullanmak için, alet kapalıyken, ana güç lambası sarı yanana kadar ana güç anahtarına birkaç saniye basın.

NOT: Aleti Tork Takviyesi modunda 30 saniyeye kadar kullanabilirsiniz. Kullanım koşullarına bağlı olarak bu mod, 30 saniyeden daha kısa sürede normal moda geçebilir.

NOT: Ana güç anahtarına birkaç saniye bastığınızda ana güç lambası sarı yanıp sönerse Tork Takviyesi modu kullanılamaz. Bu durumda aşağıdaki adımları izleyin.

- Tork Takviyesi modu, kesim işleminden hemen sonra kullanılamaz. En az 10 saniye bekleyin ve ardından ana güç anahtarına tekrar basın.
- Tork Takviyesi modunu birkaç kez kullandıktan sonra bataryayı korumak için Tork Takviyesi modu kullanımı kısıtlanır. En az 10 saniye bekledikten sonra Tork Takviyesi modu kullanılamazsa batarya kartuşunu tam dolu bir kartuşla değiştirin veya batarya kartuşunu şarj edin.

NOT: Ana güç lambası kırmızı yanar veya kırmızı ya da yeşil yanıp sönerse alet/batarya koruma sistemi için talimatlara bakın.

NOT: Batarya kartuşu BL1815N, BL1820 veya BL1820B takılıyken Tork Takviyesi modu kullanılamaz.

Anahtar işlemi

UYARI: Güvenliğiniz için, bu alet istem dışı başlatmayı önlemek için bir güvenlik kilidi kolu ile donatılmıştır. Güvenlik kilidi koluna basmadan sadece anahtar tetik çekildiğinde çalışan bir aleti ASLA kullanmayın. Daha fazla kullanmadan ÖNCE doğru bir şekilde tamir ettirmek için aleti yetkili servis merkezimize götürün.

UYARI: Güvenlik kilidi kolunu ASLA bantlamanın veya amacını ve işlevini engelleyecek şekilde devre dışı bırakmayın.

DİKKAT: Batarya kartuşunu alete takmadan önce anahtar tetiğin doğru çalıştığından ve bıraktığında "OFF" (kapalı) konumuna döndüğünden emin olun.

ÖNEMLİ NOT: Güvenlik kilidi koluna bastırmanın anahtar tetiği zorlayarak çekmeyin. Bu, anahtarın kırılmasına neden olabilir.

Anahtar tetiğin kaza sonucu çekilmesini önlemek için, bir güvenlik kilidi kolu sunulmuştur. Aleti başlatmak için, güvenlik kilidi koluna bastırın ve anahtar tetiği çekin. Aletin hızı, anahtar tetiğe uygulanan baskı artırlarak artar. Durdurmak için anahtar tetiği bırakın.

► **Şek.6:** 1. Anahtar tetik 2. Güvenlik kilidi kolu

Zincir freninin kontrolü

DİKKAT: Zincir testereyi çalıştırırken iki elinizle tutun. Üst tutamağı sağ elinizle, ön tutamağı sol elinizle tutun. Çubuk ve zincir herhangi bir nesneye değmemelidir.

DİKKAT: Bu test yapıldığı zaman testere zinciri derhal durmazsa testere hiçbir şekilde kullanılamaz. Yetkili servis merkezimize danışın.

1. Önce güvenlik kilidi koluna basın, sonra anahtar tetiği çekin. Testere zinciri derhal çalışmaya başlar.

2. Ön el siperini elinizin arkasını kullanarak ileriye doğru bastırın. Zincir testerenin hemen durduğundan emin olun.

► **Şek.7:** 1. Ön el siperi 2. Kilitle olmayan konum 3. Kilitleli konum

Serbest dönüş freninin kontrolü

DİKKAT: Bu test yapıldığı zaman testere zinciri iki saniye içinde durmazsa zincir testereyi kullanmayı durdurun ve yetkili servis merkezimize danışın.

Zincir testereyi çalıştırdın ardından anahtar tetiği tamamen bırakın. Testere zincirinin iki saniye içinde hareket-siz duruma gelmesi gerekir.

Zincir yağlanmasının ayarlanması

Yağ pompasının besleme hızını, İngiliz anahtarı kullanarak ayar vidasıyla ayarlayabilirsiniz. Yağ miktarı 3 adımda ayarlanabilir.

► **Şek.8:** 1. Ayar vidası

Karabina (halat bağlama noktası)

Halatı karabinaya bağlayarak aleti asabilirsiniz. Karabinayı çekin ve ardından halat ile bağlayın.

Elektronik fonksiyonu

Alet kolay kullanım için elektronik fonksiyonlarla donatılmıştır.

- Yumuşak başlatma
Yumuşak başlatma fonksiyonu başlatma şokunu en alt düzeye indirir ve aletin daha sarsıntısız başlamasını sağlar.

MONTAJ

DİKKAT: Alet üzerinde herhangi bir iş yapmadan önce aletin kapalı ve batarya kartuşunun ayrılmış olduğundan daima emin olun.

DİKKAT: Testere zincirine çıplak elle dokunmayın. Testere zincirini tutarken daima eldiven kullanın.

Testere zincirinin takılması veya çıkarılması

⚠️ DİKKAT: Testere zinciri ve kılavuz çubuk kullanımının hemen ardından hala sıcaktır. Alet üzerinde herhangi bir çalışma yapmadan önce yeterince soğumalarını bekleyin.

⚠️ DİKKAT: Testere zincirinin takılması ve çıkarılması prosedürünü testereden çıkan tozların vb. maddelerin olmadığı temiz bir yerde gerçekleştirin.

Testere zincirini çıkarmak için aşağıdaki adımları gerçekleştirin:

1. Ön el siperini çekerek zincir frenini serbest bırakın.
2. Zincir ayar vidasını, ardından tespit somununu gevşetin.
▶ **Şek.9:** 1. Zincir ayar vidası 2. Tespit somunu

3. Zincir dişlisi kapağını ve ardından testere zincirini ve kılavuz çubuğu zincir testere gövdesinden ayırın.

Testere zincirini takmak için aşağıdaki adımları gerçekleştirin:

1. Testere zincirinin yönünü kontrol edin. Testere zincirinin yönünü zincir testere gövdesi üzerindeki işaretin yönüyle eşleştirin.

2. Testere zincirinin bir ucunu kılavuz çubuğun üst kısmına takın.

3. Testere zincirinin diğer ucunu zincir dişlisinin etrafına takın, ardından kılavuz çubuk üzerindeki deliği zincir testere gövdesinin üzerindeki pimle hizalayarak kılavuz çubuğu zincir testere gövdesine takın.
▶ **Şek.10:** 1. Zincir dişlisi 2. Delik

4. Zincir dişlisi kapağının üzerindeki çıkıntıyı zincir testere gövdesine sokun ve ardından zincir testere üzerindeki civata ve pimler kapak üzerindeki karşılıklarına denk gelecek şekilde kapağı kapatın.
▶ **Şek.11:** 1. Çıkıntı 2. Zincir dişlisi kapağı 3. Civata 4. Pim

5. Tespit somununu sıkarak zincir dişlisi kapağını sabitleyin, ardından gerginlik ayarı için somunu azıcık gevşetin.

▶ **Şek.12:** 1. Tespit somunu

Testere zinciri geriliminin ayarlanması

⚠️ DİKKAT: Testere zincirini fazla sıkılmayın. Testere zincirinin aşırı yüksek bir gerilime sahip olması testere zincirinin kırılmasına, kılavuz çubuğun aşınmasına ve ayar kadranının kırılmasına neden olabilir.

⚠️ DİKKAT: Zincir çok gevşek olursa kılavuz çubuktan fırlayıp çıkabilir ve kaza riski oluşturabilir.

Testere zinciri saatlerce kullanıldıktan sonra gevşeyebilir. Zaman zaman kullanmadan önce testere zincirini kontrol edin.

1. Ön el siperini çekerek zincir frenini serbest bırakın.

2. Zincir dişlisi kapağını hafifçe gevşetmek için tespit somununu azıcık gevşetin.

▶ **Şek.13:** 1. Tespit somunu

3. Kılavuz çubuğun ucunu hafifçe yukarı kaldırın ve zincir gerilimini ayarlayın. Zincir ayar vidasını sıkamak için saat yönünde, gevşetmek için saatin aksi yönünde çevirin.

Zincir bıçak 90PX ve 91PX için:

Testere zincirinin alt tarafı kılavuz çubuk rayına oturana kadar testere zincirini sıkılayın.

- ▶ **Şek.14:** 1. Kılavuz çubuk 2. Testere zinciri 3. Zincir ayar vidası

Zincir bıçak 25AP için:

Kılavuz çubuğun alt kenarının merkezi ile testere zinciri arasındaki boşluk yaklaşık 1 mm ila 2 mm olacak şekilde testere zincirini sıkın.

4. Kılavuz çubuğu hafifçe tutmaya devam edin ve zincir dişlisi kapağını sıkılayın.

Zincir bıçak 90PX ve 91PX için:

Testere zincirinin alt tarafında gevşeklik kalmadığından emin olun.

Zincir bıçak 25AP için:

Kılavuz çubuğun alt kenarının merkezi ile testere zinciri arasındaki boşluğun yaklaşık 1 mm ila 2 mm olduğundan emin olun.

5. Tespit somununu sıkarak zincir dişlisi kapağını sabitleyin.

▶ **Şek.15:** 1. Tespit somunu

Testere zincirinin kılavuz çubuğun alt tarafı ile örtüştüğünden emin olun.

Sivri uçlu tampon

İsteğe bağlı aksesuarlar

Kalın dalları keserken sivri uçlu tampon kullanılması önerilir. Sivri uçlu tamponu takmak için aşağıdaki adımları gerçekleştirin:

1. Zincir dişlisi kapağını, testere zincirini ve kılavuz çubuğu çıkarın.
2. Sivri uçlu tamponun deliklerini zincir testere gövdesi üzerindeki deliklerle hizalayın, ve ardından vidaları iyice sıkın.

▶ **Şek.16:** 1. Vida 2. Sivri uçlu tampon

KULLANIM

Yağlama

Alet çalışırken testere zinciri otomatik olarak yağlanır. Yağ tankında kalan yağ miktarını yağ kontrol camından periyodik olarak kontrol edin.

Tanki yeniden doldurmak için, zincir testereyi yan yatırın ve yağ tankının kapağını çıkarın. Doğru yağ miktarı 140 ml'dir. Tanki yeniden doldurduktan sonra yağ tankı kapağının sıkı bir şekilde kapalı olduğundan emin olun.

▶ **Şek.17:** 1. Yağ tankı kapağı 2. Yağ kontrol camı

Yeniden doldurduktan sonra, zincir testereyi ağaçtan uzaktaki tutun. Çalıştırın ve testere zincirinin yeterince yağlanması bekleyin.

▶ **Şek.18**

ÖNEMLİ NOT: İlk kez zincir yağı doldurduğunuz zaman veya tankı tamamen boşaldıktan sonra tekrar doldururken, yakıt deposu boynunun alt kenarına kadar yağ doldurun. Aksi takdirde yağ dağıtımı bozulabilir.

ÖNEMLİ NOT: Zincir yağı olarak, özellikle Makita zincir testereleeri için olan veya piyasada bulunan eş değer yağları kullanın.

ÖNEMLİ NOT: Asla içinde toz ve parçacık veya uçucu yağ bulunan yağları kullanmayın.

ÖNEMLİ NOT: Ağaç budarken, botanik yağ kullanın. Mineral yağlar ağaçlara zarar verebilir.

ÖNEMLİ NOT: Kesim işleminden önce, verilen yağ tankı kapağının yerine takılmış olduğundan emin olun.

ZİNCİR TESTEREYLE ÇALIŞMA

⚠DİKKAT: Aleti ilk kez kullananlar, asgari bir yöntem olarak, kütükleri bir bıçkı tezgahı veya kızak üstünde kesmelidirler.

⚠DİKKAT: Önceden kesilmiş keresteleri keserken sağlam bir destek (bıçkı tezgahı veya kızak) kullanın. İş parçasını ayağınızla sabitlemeyin, başka bir kişinin tutup sabitlemesine de izin vermeyin.

⚠DİKKAT: Yuvarlak parçaları dönüş yönünün tersine doğru sabitleyin.

⚠DİKKAT: Motor çalışırken vücudunuzun her kısmını testere zincirden uzak tutun.

⚠DİKKAT: Motor çalışırken zincir testereyi iki elinizle sıkıca tutun.

⚠DİKKAT: Fazla ileriye uzanmaya çalışmayın. Her zaman yere sağlam basın ve dengeyi koruyun.

ÖNEMLİ NOT: Aleti bir yere çarpmayın ve düşürmeyin.

ÖNEMLİ NOT: Aletin havalandırma deliklerini örtmeyin.

Ağaçların budanması

Aleti çalıştırmadan önce zincir testere gövdesini kesilecek dala temas ettirin. Bunun yapılmaması, kılavuz çubuğun salınmasına neden olarak kullanıcının yaralanmasına sebebiyet verebilir. Kesilecek odunu sadece aleti aşağı doğru hareket ettirerek zincir testerenin ağırlığını kullanarak kesin.

► Şek.19

Eğer ağacı tek bir darbeyle boydan boya kesemezseniz: Tutamağa hafif basınç uygulayarak kesmeye devam edin ve zincir testereyi biraz geriye çekin.

► Şek.20

Kalın dalları keserken önce alttan derin olmayan bir kesim yapın ve ardından üstten bitirme kesimini yapın.

► Şek.21

Kalın dalları alttan kesmeye çalışırsanız dal sarkarak testere zincirini kesilen yerde sıkıştırabilir. Kalın dalları alttan derin olmayan kesim yapmadan üstten kesmeye çalışırsanız dal parçalanabilir.

► Şek.22

Boylama kesme

1. Zincir testere gövdesini kesilecek ağacın üzerine koyun.
► Şek.23

2. Testere zinciri çalışırken, üst tutamağı testereyi kaldırmak ve ön tutamağı onu yönlendirmek için kullanarak ağacı kesin.

3. Üst tutamağa hafif baskı uygulayıp testereyi yavaş ve hafifçe geriye doğru hareket ettirerek kesmeye devam edin.

ÖNEMLİ NOT: Birden fazla kesme yaptığınız zaman, kesimler arasında zincir testereyi kapatın.

⚠DİKKAT: Kesme için çubuğun üst kenarının kullanılması halinde, zincir sıkışırca zincir testere size doğru sekebilir. Bu nedenle, testerenin vücudunuzdan uzağa doğru sekmesi için alt kenarla kesim yapın.

► Şek.24

Gerilim altındaki ağacı önce basınç tarafından (A) kesin. Sonra gerilim tarafından (B) son kesimi yapın. Bu çubuğun sıkışmasını önler.

► Şek.25

Dal kesme

⚠DİKKAT: Dal kesme sadece eğitimli kişiler tarafından yapılabilir. Geri tepme riski bir tehlike oluşturur.

Dal keserken, mümkünse zincir testereyi gövdeden destekleyin. Geri tepme riski oluşturduğu için çubuğun ucuyla kesmeyin.

Gerilim altındaki dallara özel dikkat gösterin. Desteksiz dalları alttan kesmeyin.

Dal keserken devrilmiş ağacın üstünde durmayın.

Aletin taşınması

Aleti taşımadan önce, zincir frenini uygulayın ve batarya kartuşlarını aletten çıkarın. Ardından kılavuz çubuk kılıfını takın. Ayrıca batarya kartuşunu da batarya kapağı ile kapatın.

► Şek.26: 1. Kılavuz çubuk kılıfı 2. Batarya kapağı

BAKIM

⚠DİKKAT: Muayene ya da bakım yapmadan önce aletin kapalı ve batarya kartuşunun çıkartılmış olduğundan daima emin olun.

⚠DİKKAT: Herhangi bir muayene ya da bakım yaparken daima eldiven giyin.

ÖNEMLİ NOT: Benzin, tiner, alkol ve benzeri maddeleri kesinlikle kullanmayın. Renk değişimi, deformasyon veya çatlaklar oluşabilir.

Aleti EMNİYETLİ ve ÇALIŞMAYA HAZIR durumda tutmak için onarımlar, başka her türlü bakım ve ayarlamalar daima Makita yedek parçaları kullanılarak Makita yetkili servis merkezleri veya Fabrikanın Servis Merkezleri tarafından yapılmalıdır.

Testere zincirinin bilenmesi

Aşağıdaki durumlarda testere zincirini bileyin:

- Islak ağaç kesildiğinde un gibi testere tozu oluştuğu zaman;
- Ağır basınç uygulansa bile zincir ağaca zor girdiği zaman;
- Kesme kenarında gözle görülen hasar olduğu zaman;
- Testere ağacın içinde sola veya sağa çekme yaptığı zaman. (Bu davranışın nedeni testere zincirinin düzgün bilenmemiş veya sadece bir tarafının hasarlı olmasıdır.)

Testere zincirini sık sık ama her defasında sadece çok az miktarda bileyin. Rutin bileme için ege ile iki veya üç sürme genellikle yeterlidir. Testere zinciri birçok defa bilendiği zaman, onu yetkili servis merkezimizde bilettirin.

Bileme kriterleri:

⚠ UYARI: Kesme kenarı ile derinlik ölçüğü arasında fazla mesafe bırakılması geri tepme riskini artırır.

- ▶ **Şek.27:** 1. Kesici uzunluğu 2. Kesme kenarı ile derinlik ölçüğü arasındaki mesafe 3. Minimum kesici uzunluğu (3 mm)
- Tüm kesici uzunlukları eşit olmalıdır. Farklı uzunluklardaki kesiciler testere zincirinin düzgün bir şekilde çalışmasını önler ve testere zincirinin kırılmasına neden olabilir.
- Kesici uzunluğu 3 mm'ye ya da daha kısa bir uzunluğa ulaştıktan sonra zinciri tekrar bilemeyin. Zincir yenisiyle değiştirilmelidir.
- Talaş kalınlığı derinlik ölçüğü (yuvarlak burun) ile kesim kenarı arasındaki mesafe ile belirlenir.
- En iyi kesim sonuçları kesim kenarı ile derinlik ölçüğü arasında aşağıdaki mesafe korunarak elde edilir.
 - Zincir bıçak 90PX: 0,65 mm
 - Zincir bıçak 91PX: 0,65 mm
 - Zincir bıçak 25AP: 0,65 mm
- ▶ **Şek.28**
- 30°'lik bileme açısı tüm kesiciler üzerinde aynı olmalıdır. Kesici açılarındaki farklılıklar zincirin sert ve dengesiz bir biçimde çalışmasına, aşınmanın hızlanmasına neden olabilir ve zincirin kırılmasına yol açabilir.
- Dişlere karşı doğru bir bileme açısının korunması için uygun bir yuvarlak ege kullanın.
 - Zincir bıçak 90PX: 55°
 - Zincir bıçak 91PX: 55°
 - Zincir bıçak 25AP: 55°

Ege ve eğeleme

- Testere zincirlerinde zinciri bilemek için özel bir yuvarlak ege kullanın (isteğe bağlı aksesuar). Normal yuvarlak eğeler uygun değildir.
- Her testere zinciri için yuvarlak ege çapı aşağıdaki gibidir:
 - Zincir bıçak 90PX: 4,5 mm
 - Zincir bıçak 91PX: 4,0 mm
 - Zincir bıçak 25AP: 4,0 mm

- Ege sadece ileri doğru sürmede kesiciyi sıyrırmalıdır. Geri çekerken eğeyi kesiciden kaldırmaz.
- Önce en kısa kesiciyi bileyin. Bu en kısa kesicinin uzunluğu böylece testere zincirinin tüm diğer kesicileri için standart olur.
- Eğeyi şekilde gösterildiği gibi sürünüz.
- ▶ **Şek.29:** 1. Ege 2. Testere zinciri
- Eğer bir ege tutucu (isteğe bağlı aksesuar) kullanılırsa ege daha kolay sürülebilir. Ege tutucuda doğru bileme açısı olan 30° işaretleri (bu işaretleri testere zincirine paralel olarak hizalayın) vardır ve nüfuz etme derinliğini (ege çapının 4/5 ile) sınırlar.
- ▶ **Şek.30:** 1. Ege tutucu
- Zinciri biledikten sonra, zincir kalınlık masterını (isteğe bağlı aksesuar) kullanarak derinlik ölçüğü yüksekliğini kontrol edin.
- ▶ **Şek.31**
- Özel bir yassı eğeyle (isteğe bağlı aksesuar), ne kadar küçük olursa olsun, çıkıntı yapan malzemeleri temizleyin.
- Derinlik ölçüğünün önünü tekrar yuvarlayın.

Kılavuz çubuğun temizlenmesi

Talaşlar ve testere tozları kılavuz çubuğun oluşunda birikir. Bu birikintiler çubuğun oluşunu tıkayabilir ve yağ akışını engelleyebilir. Testere zincirini bilerken ya da değiştirdiğiniz her seferde talaşları ve testere tozlarını temizleyin.

▶ Şek.32

Zincir dişlisi kapağının temizlenmesi

Zincir dişlisi kapağının içinde talaşlar ve testere tozları birikebilir. Zincir dişlisi kapağını ve testere zincirini aletten çıkarın ve ardından talaşları ve testere tozlarını temizleyin.

▶ Şek.33

Yağ çıkış deliğinin temizlenmesi

Çalışma sırasında yağ çıkış deliğinde küçük tozlar ve parçacıklar birikebilir. Yağ filtresinde biriken bu tozlar ve parçacıklar yağ akışını engelleyebilir ve testere zincirinin tamamına yeterli yağlama yapılamamasına neden olabilir. Kılavuz çubuğun tepesinde yetersiz zincir yağı iletimi olduğu görülürse yağ çıkış deliğini aşağıdaki gibi temizleyin.

1. Zincir dişlisi kapağını ve testere zincirini aletten çıkarın.
2. İnce saplı, düz uçlu bir tornavida veya benzeri bir alet kullanarak küçük tozları ve parçacıkları temizleyin.
- ▶ **Şek.34:** 1. Düz uçlu tornavida 2. Yağ çıkış deliği
3. Batarya kartuşunu alete takın. Zincir yağını boşaltarak birikmiş tozları ve parçacıkları yağ çıkış deliğinden dışarı akıtmak için anahtar tetiği çekin.
4. Aletten batarya kartuşunu çıkarın. Zincir dişlisi kapağını ve testere zincirini tekrar alete takın.

Zincir dişlisinin değiştirilmesi

⚠ DİKKAT: Eskimiş bir zincir dişlisi yeni testere zincirine zarar verir. Bu durumda zincir dişlisini yenisiyle değiştirin.

Yeni bir testere zinciri takmadan önce, zincir dişlisinin durumunu kontrol edin.

► **Şek.35:** 1. Zincir dişlisi 2. Aşınan alanlar

Zincir dişlisini değiştirdiğiniz zaman daima yeni bir tespit halkası takın.

► **Şek.36:** 1. Tespit halkası 2. Zincir dişlisi

ÖNEMLİ NOT: Zincir dişlisinin şekilde gösterildiği gibi takıldığından emin olun.

Aletin saklanması

1. Saklamadan önce aleti temizleyin. Zincir dişlisi kapağını çıkardıktan sonra talaşları ve testere tozlarını aletten temizleyin.
2. Aleti temizledikten sonra, testere zincirini ve kılavuz çubuğu yağlamak için yüksüz çalıştırın.
3. Kılavuz çubuğu, kılavuz çubuk kılıfıyla örtün.
4. Yağ tankını boşaltın.

Periyodik bakım talimatları

Alet ömrünün uzun olmasını sağlamak için, alete hasar gelmesini önleyin ve güvenlik özelliklerinin tam olarak işlediğinden emin olun. Aşağıdaki bakım işlemleri de düzenli olarak yapılmalıdır. Garanti talepleri ancak bu işlemler düzenli olarak ve doğru bir şekilde yapılmışsa dikkate alınacaktır. Tarif edilen bakım işlemlerinin yapılmaması kazalara yol açabilir! Zincir testere kullanıcısı, bu kullanım kılavuzunda açıklanmayan bir bakım işlemi yapmamalıdır. Tüm bu işlemler yetkili servis merkezimiz tarafından gerçekleştirilmelidir.

Öğeyi kontrol edin / Çalışma süresi	Kullanımdan önce	Her gün	Her hafta	3 ayda bir	Yılda bir	Saklamadan önce
Zincir testere	İnceleme.	✓	-	-	-	-
	Temizleme.	-	✓	-	-	-
	Yetkili servis merkezinde kontrol ettirin.	-	-	-	-	✓
Testere zinciri	İnceleme.	✓	-	-	-	-
	Gerekirse bileyin.	-	-	-	-	✓
Kılavuz çubuk	İnceleme.	✓	✓	-	-	-
	Zincir testereden çıkarın.	-	-	-	-	✓
Zincir freni	İşlevini kontrol edin.	✓	-	-	-	-
	Yetkili servis merkezinde düzenli olarak kontrol ettirin.	-	-	-	✓	-
Zincir yağı	Yağ besleme hızını kontrol edin.	✓	-	-	-	-
Anahtar tetik	İnceleme.	✓	-	-	-	-
Güvenlik kilidi kolu	İnceleme.	✓	-	-	-	-
Yağ tankı kapağı	Sıklığını kontrol edin.	✓	-	-	-	-
Zincir yakalayıcı	İnceleme.	-	-	✓	-	-
Vida ve somunlar	İnceleme.	-	-	✓	-	-

SORUN GİDERME

Onarım için servise gitmeden önce kontrolleri yapın. Kılavuzda açıklanmayan bir problemle karşılaşırsanız aleti demonte etmeyin. Bunun yerine, Makita Yetkili Servis Merkezlerine başvurun ve daima orijinal Makita yedek parçaları kullanın.

Arıza durumu	Neden	Çözüm
Zincir testere başlatılamıyor.	Batarya kartuşu takılı değil.	Şarjlı bir batarya kartuşu takın.
	Batarya problemi (düşük voltaj).	Batarya kartuşlarını şarj edin. Şarj etmek işe yaramıyorsa, batarya kartuşunu değiştirin.
	Ana güç anahtarı kapalı.	Belli bir süre kullanılmadığında zincir testere otomatik olarak kapanır. Ana güç anahtarını tekrar açın.
Testere zinciri çalışmıyor.	Zincir freni etkinleştirilmiş.	Zincir frenini serbest bırakın.
Kısa bir kullanımdan sonra motor duruyor.	Bataryanın şarj seviyesi düşük.	Batarya kartuşlarını şarj edin. Şarj etmek işe yaramıyorsa, batarya kartuşunu değiştirin.
Zincirde hiç yağ yok.	Yağ tankı boş.	Yağ tankını doldurun.
	Yağ kılavuzu oluğu kirli.	Oluğu temizleyin.
	Yetersiz yağ iletimi.	Ayar vidası ile yağ iletim miktarını ayarlayın.
Zincir testere maksimum dev/dak oranına ulaşmıyor.	Batarya kartuşu düzgün takılmamış.	Batarya kartuşlarını bu kılavuzda açıkladığı gibi takın.
	Bataryanın gücü düşüyor.	Batarya kartuşunu şarj edin. Şarj etmek işe yaramıyorsa, batarya kartuşunu değiştirin.
	Sürüş sistemi doğru işlemiyor.	Bölgemizdeki yetkili servis merkezinden tamir etmesini isteyin.
Ana güç lambası yeşil yanıp sönüyor.	Kullanımın mümkün olmadığı bir durumda anahtar tetik çekilmiş.	Ana güç anahtarını açtıktan ve zincir frenini serbest bıraktıktan sonra anahtar tetiği çekin.
Zincir freni etkinleştirilse bile zincir durmuyor: Makineyi hemen durdurun!	Fren bandı aşınmış.	Bölgemizdeki yetkili servis merkezinden tamir etmesini isteyin.
Anormal vibrasyon: Makineyi hemen durdurun!	Kılavuz çubuğu veya testere zinciri gevşek.	Kılavuz çubuğu ve testere zinciri gerilimini ayarlayın.
	Alet arızası.	Bölgemizdeki yetkili servis merkezinden tamir etmesini isteyin.
Batarya kartuşu tam dolu bir kartuşla değiştirdikten sonra Tork Takviyesi modu kullanılmıyor.	Kullanım koşullarına bağlı olarak batarya kartuşu değiştirildikten sonra Tork Takviyesi modu kullanılamaz.	Takılı batarya kartuşu boşalana kadar aleti normal modda kullanın ve ardından batarya kartuşunu tam dolu bir kartuşla değiştirin veya batarya kartuşunu şarj edin.

İSTEĞE BAĞLI AKSESUARLAR

⚠DİKKAT: Bu aksesuarlar ve ek parçalar bu el kitabında belirtilen Makita aletiniz ile kullanılmak için tavsiye edilmektedir. Herhangi başka bir aksesuar ya da ek parça kullanılması insanlar için bir yaralanma riski getirebilir. Aksesuarları ya da ek parçaları yalnızca belirtilmiş olan kullanım amaçlarına uygun olarak kullanın.

Bu aksesuarlarla ilgili daha fazla bilgiye ihtiyaç duyarsanız bulunduğunuz yerdeki yetkili Makita servisine başvurun.

- Testere zinciri
- Kılavuz çubuk
- Kılavuz çubuk kılıfı

- Zincir dişlisi
- Sivri uçlu tampon
- Eğge
- Alet çantası
- Orijinal Makita batarya ve şarj aleti

⚠UYARI: Standart kılavuz çubuktan farklı uzunlukta bir kılavuz çubuk satın aldıysanız, onunla birlikte uygun bir kılavuz çubuk kılıfı da satın alın. Kılıf, zincir testere üzerindeki kılavuz çubuğa uymalı ve onu tamamen örtmelidir.

NOT: Listedeki parçaların bazıları alet paketi içerisinde standart aksesuar olarak dahil edilmiş olabilir. Bunlar ülkeden ülkeye farklılık gösterebilir.

Makita Europe N.V. Jan-Baptist Vinkstraat 2,
3070 Kortenberg, Belgium

Makita Corporation 3-11-8, Sumiyoshi-cho,
Anjo, Aichi 446-8502 Japan

www.makita.com

885630-993 EN, FR, DE, IT, NL, ES, PT, DA, EL, TR 20180315
