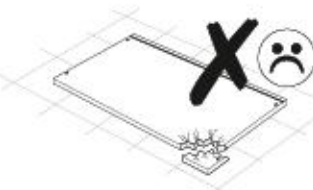
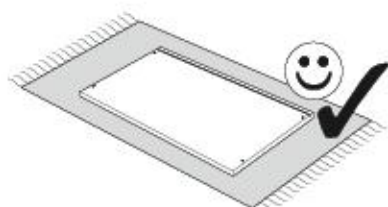
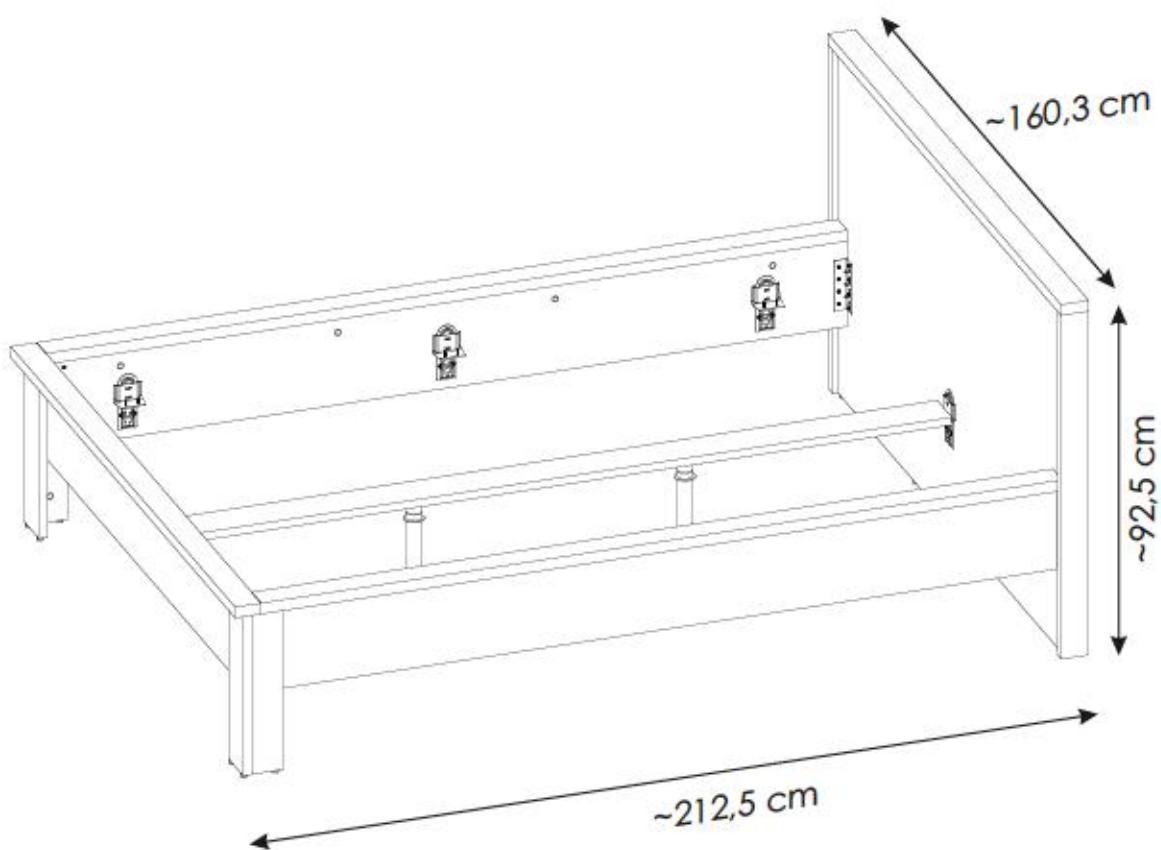
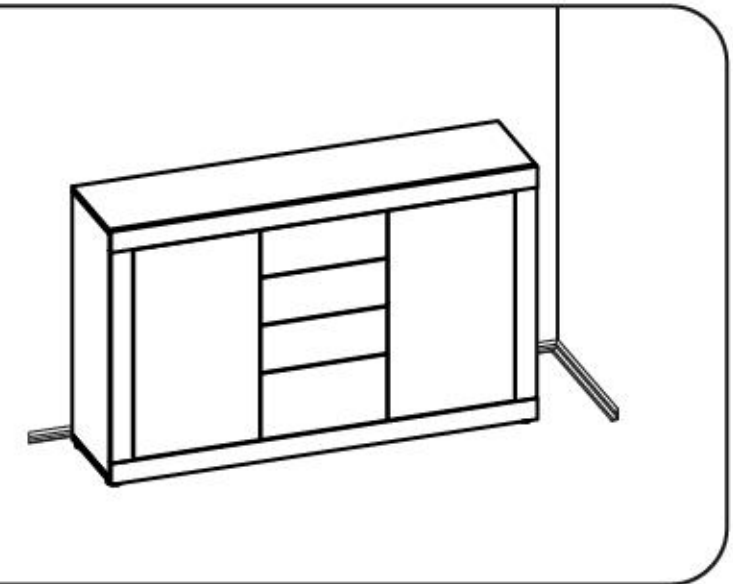
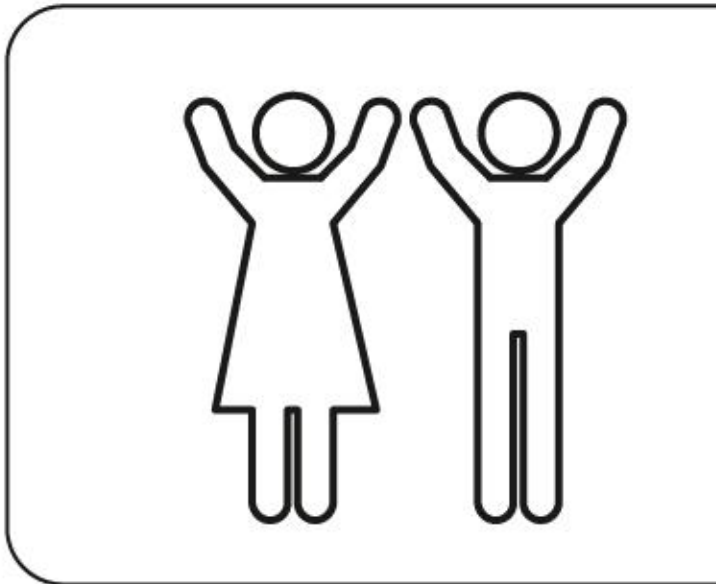
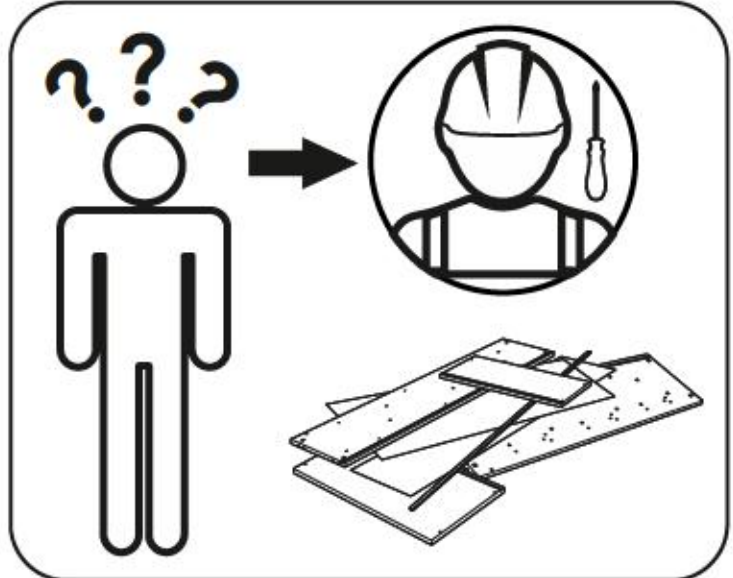
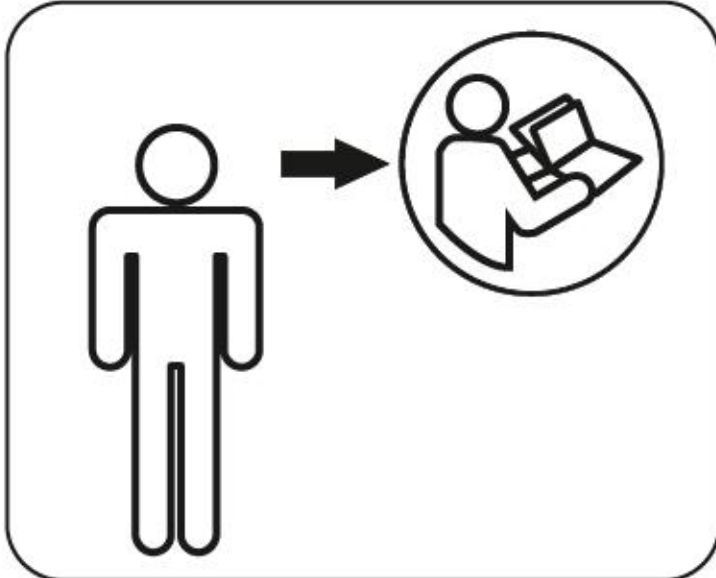
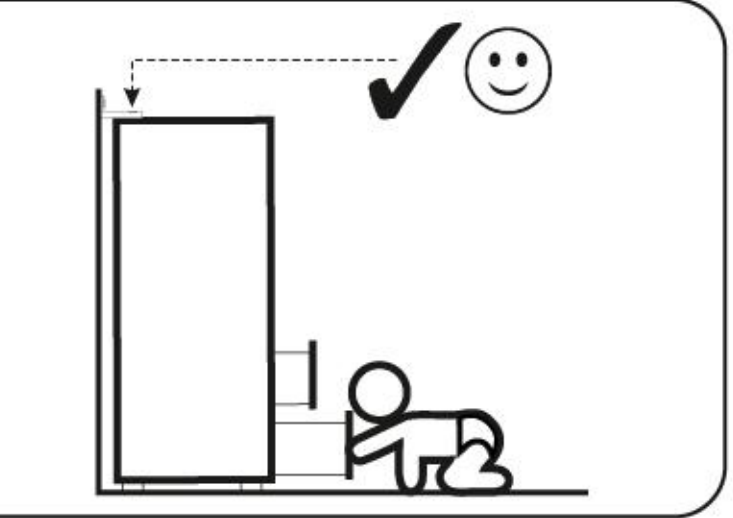
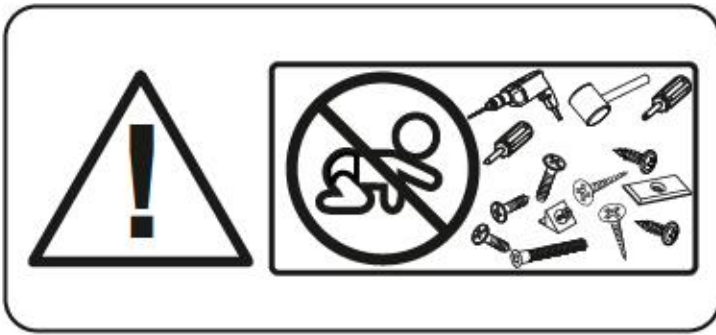


1PPASC892/1YYASC92





1PPASC892/1YYASC92

MM

260

250

240

230

220

210

200

190

180

170

160

150

140

130

120

110

100

90

80

70

60

50

40

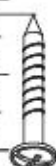
30

20

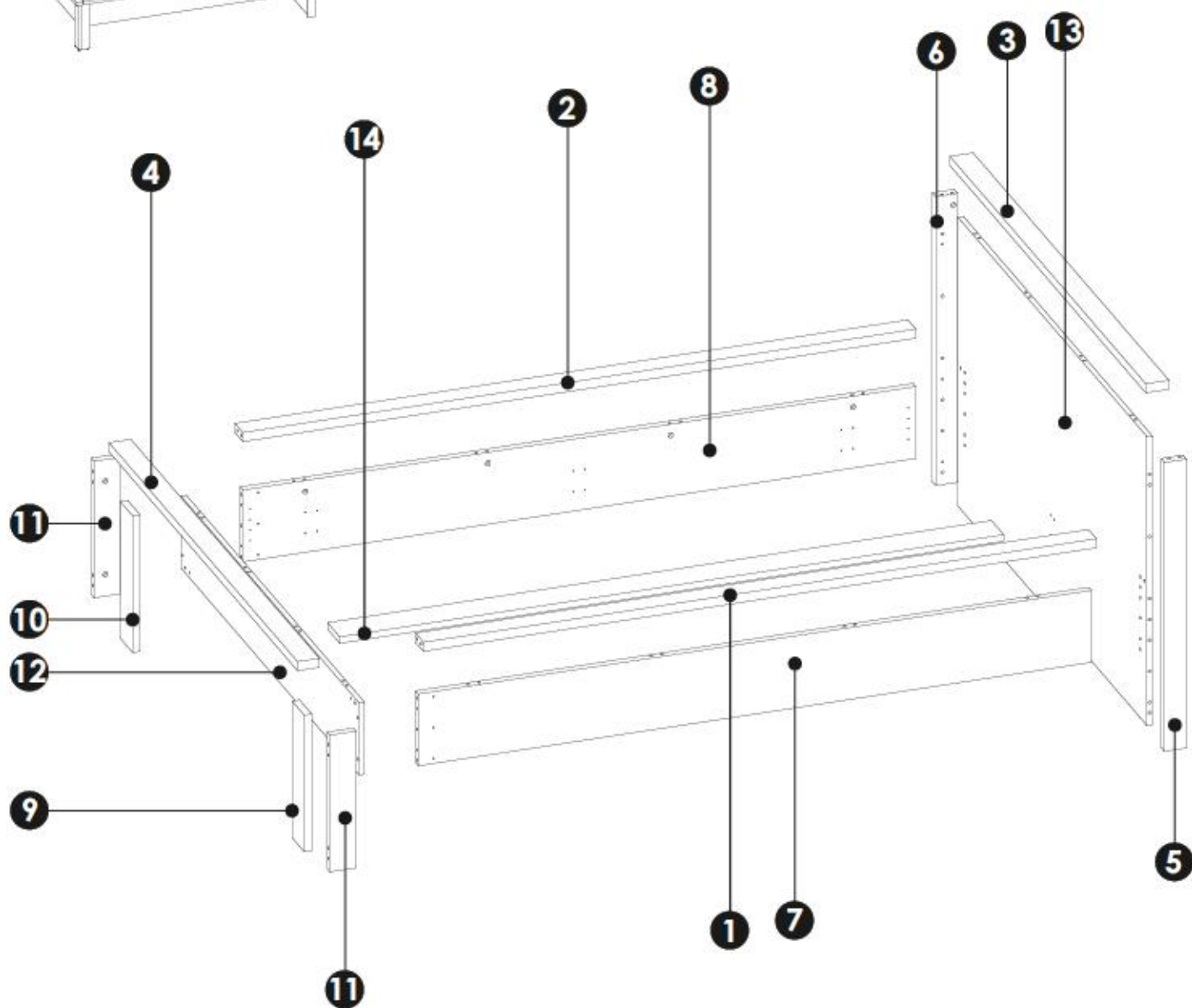
10

0

A1	8 x 35 mm	x48	A2	8 x 45 mm	x2	A6	8 x 24 mm	x4
C2	5 x 13 mm	x8	C4	5 x 20 mm	x24	E0	Ø16	x14
E1	15 x 12 mm	x32	F1	6 x 34 mm	x28	F3	7 x 64 mm	x2
G2	7 x 60 mm	x10	I2	4 x 16 mm	x32	I14	4 x 35 mm	x12
M		x1	N5	3,5 x 16 mm	x20	O2		x10
O24		x2	O25		x2	W14		x4
W15		x8						

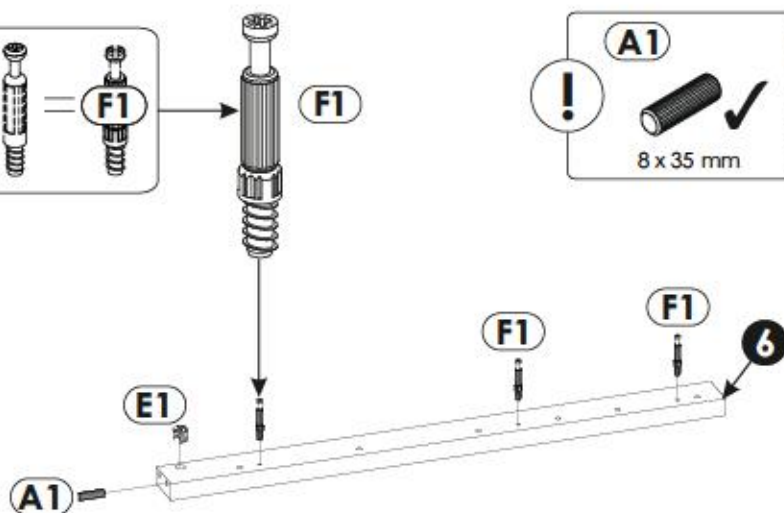
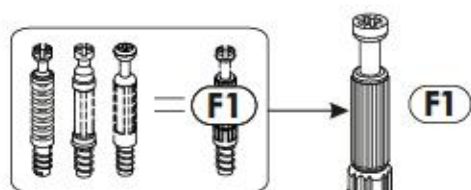
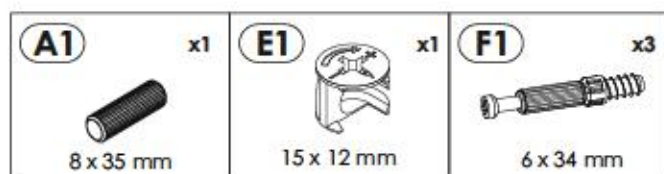
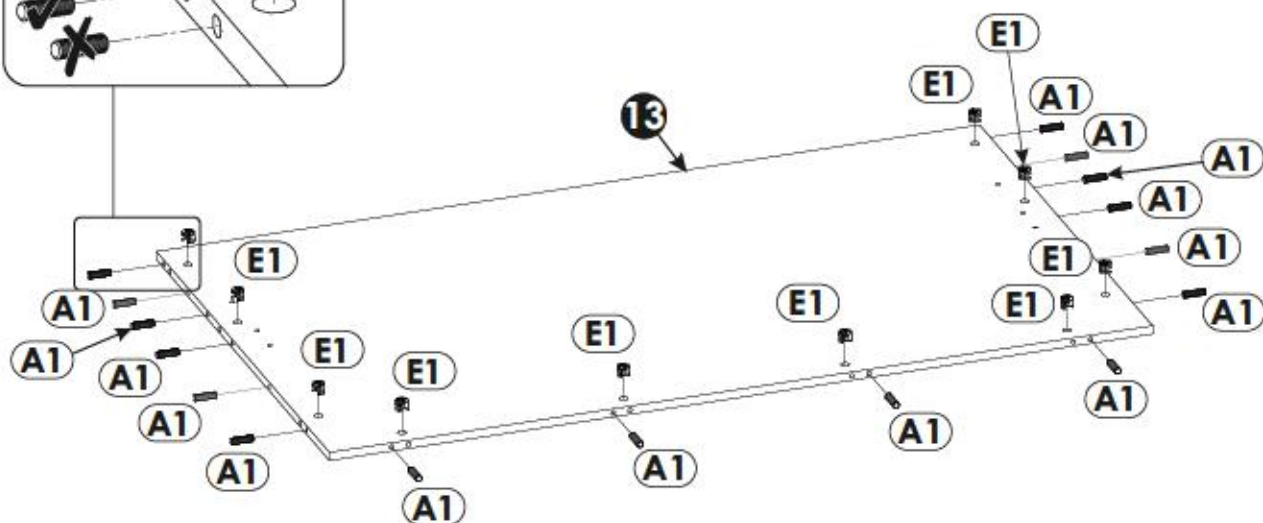
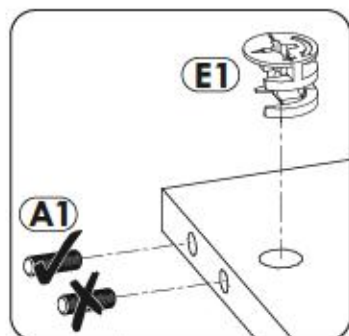
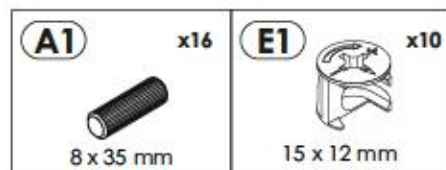
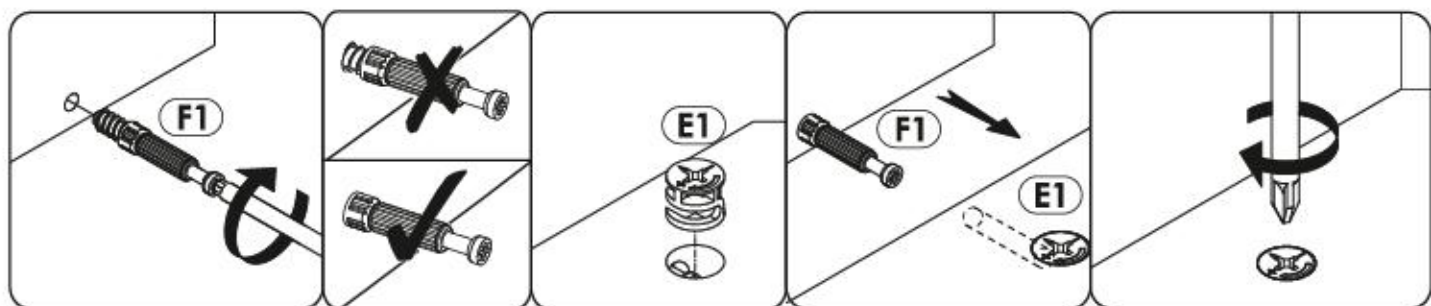


1PPASC892/1YYASC92

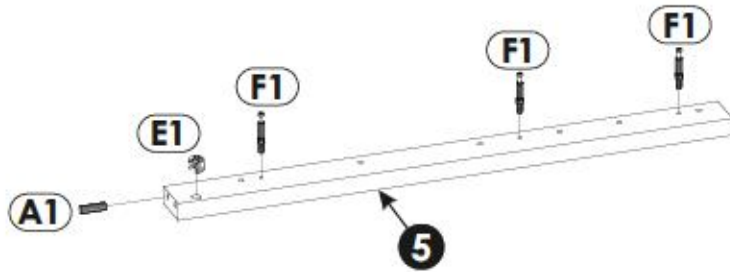
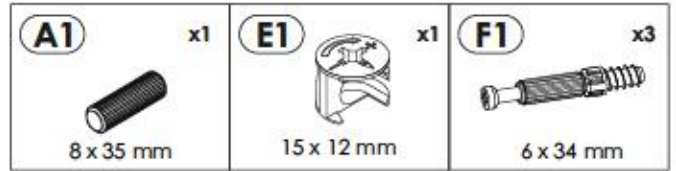


1	2005	65	28	x1	1/2
2	2005	65	28	x1	1/2
3	1603	69	28	x1	1/2
4	1543	65	28	x1	1/2
5	892	65	28	x1	1/2
6	892	65	28	x1	1/2
7	2005	222	22	x1	1/2

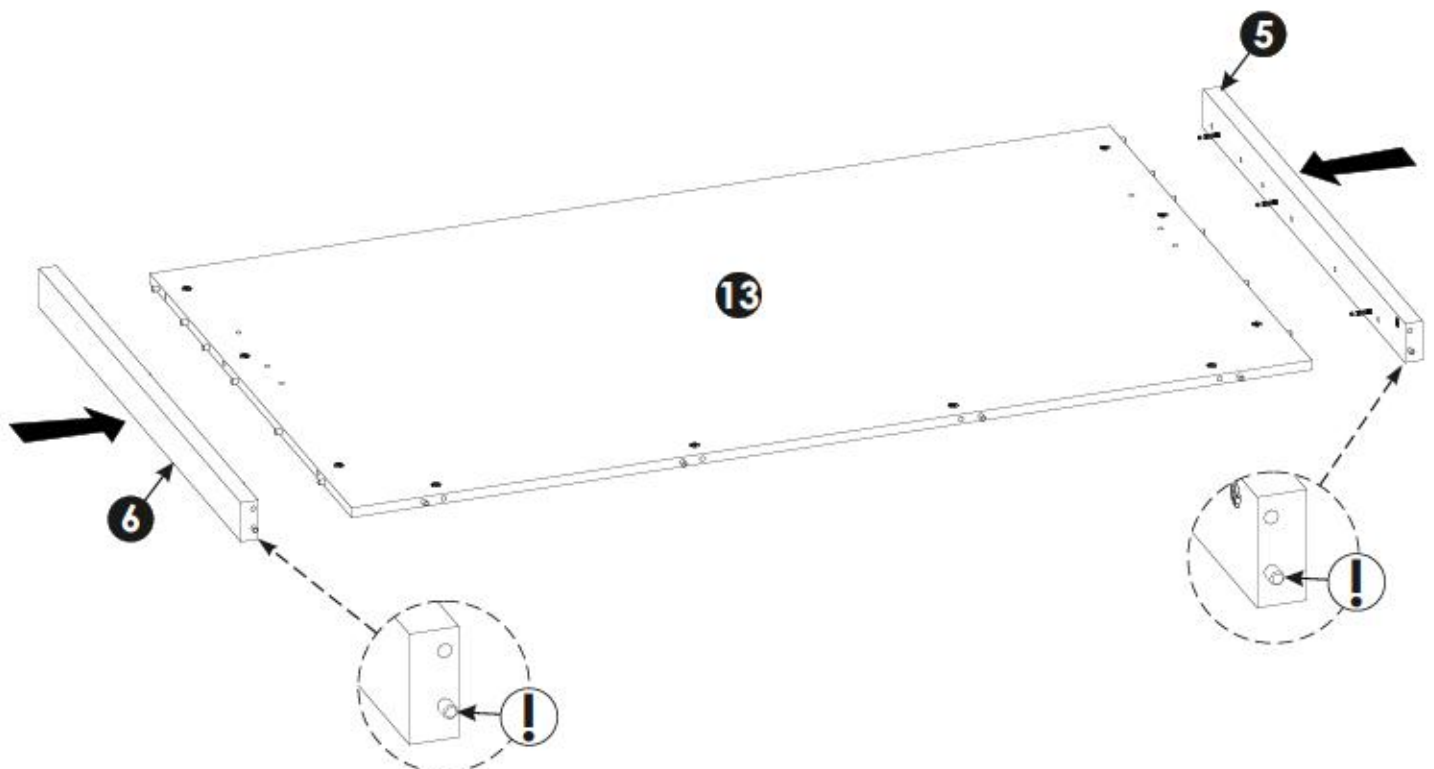
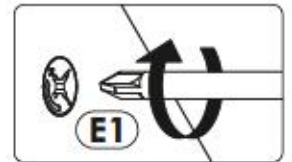
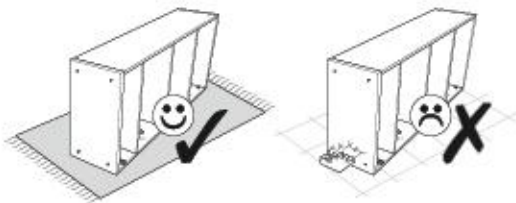
8	2005	222	22	x1	1/2
9	422	100	22	x1	2/2
10	422	100	22	x1	2/2
11	422	78	22	x2	2/2
12	1459	222	16	x1	2/2
13	892	1545	16	x1	2/2
14	1988	100	20	x1	1/2



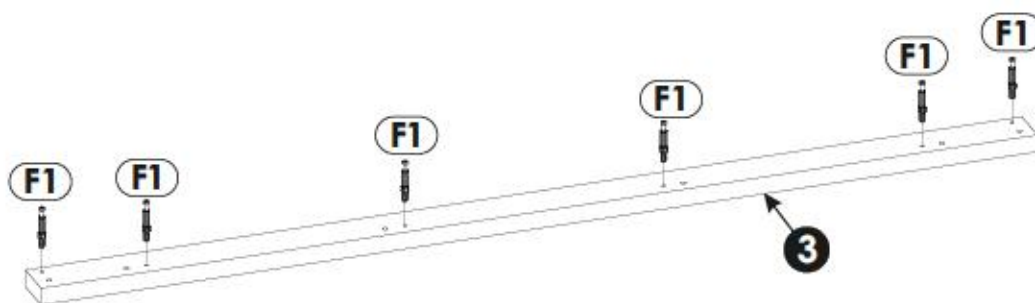
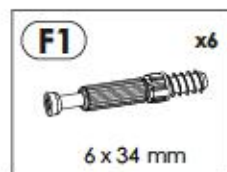
3



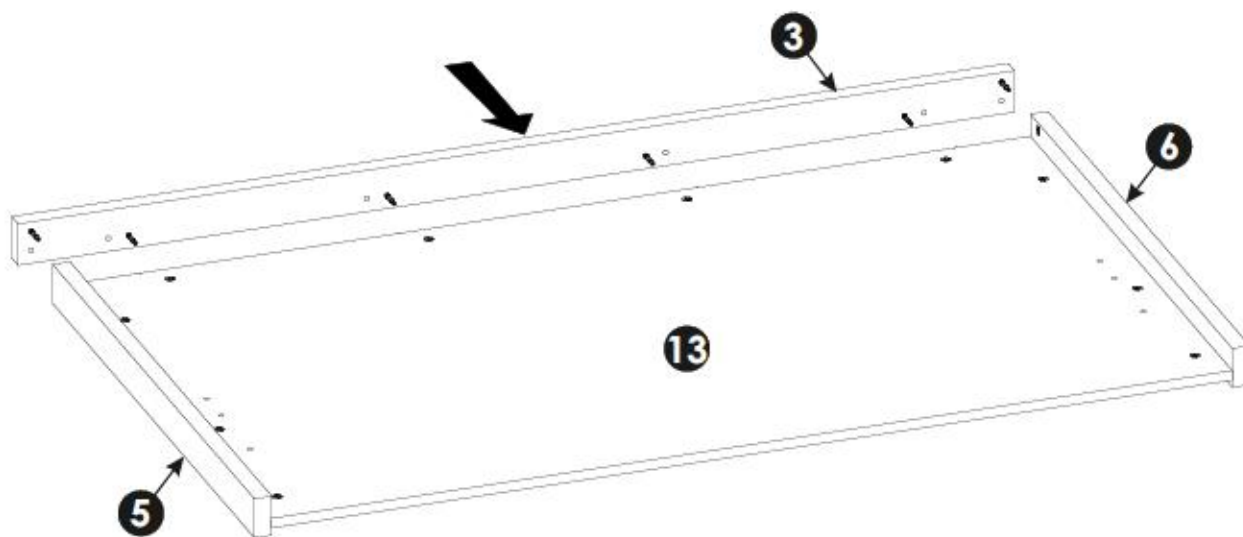
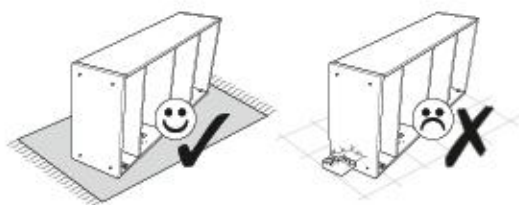
4

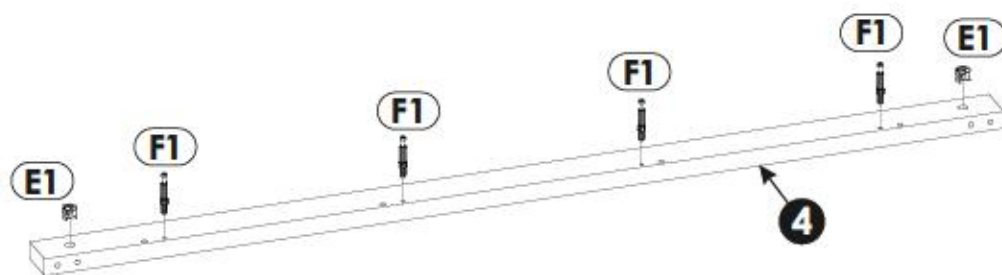
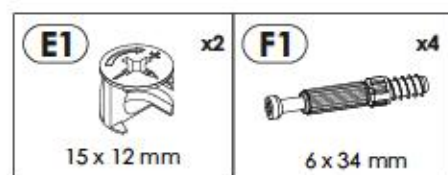
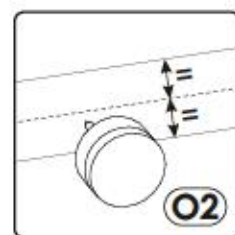
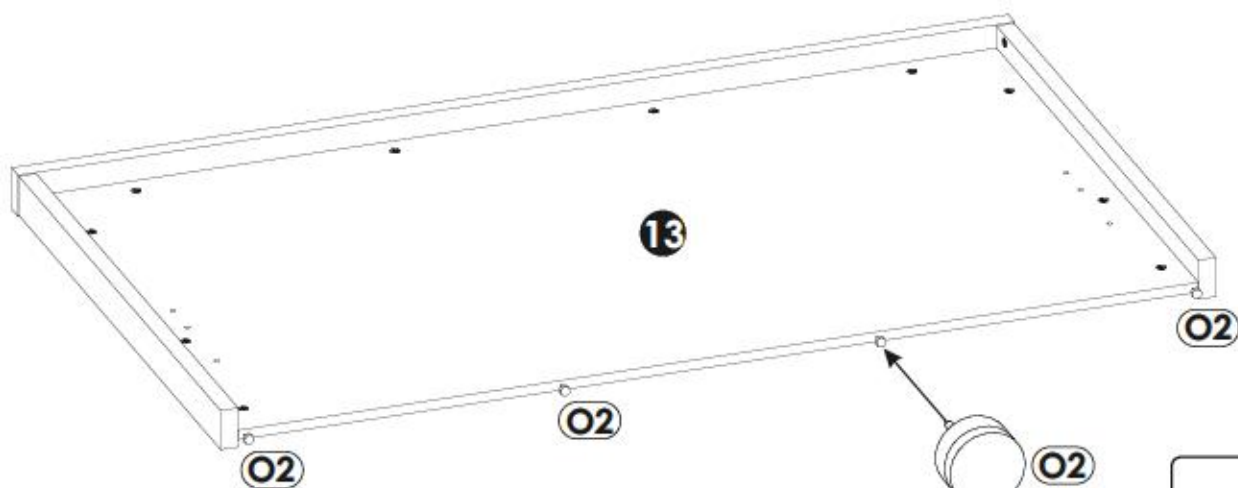
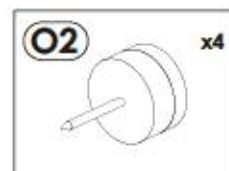
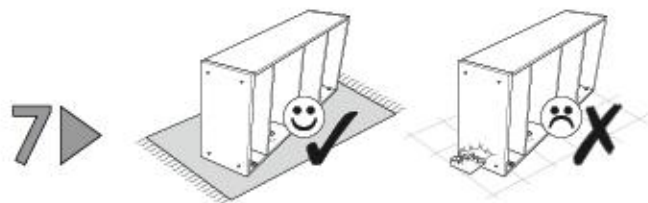


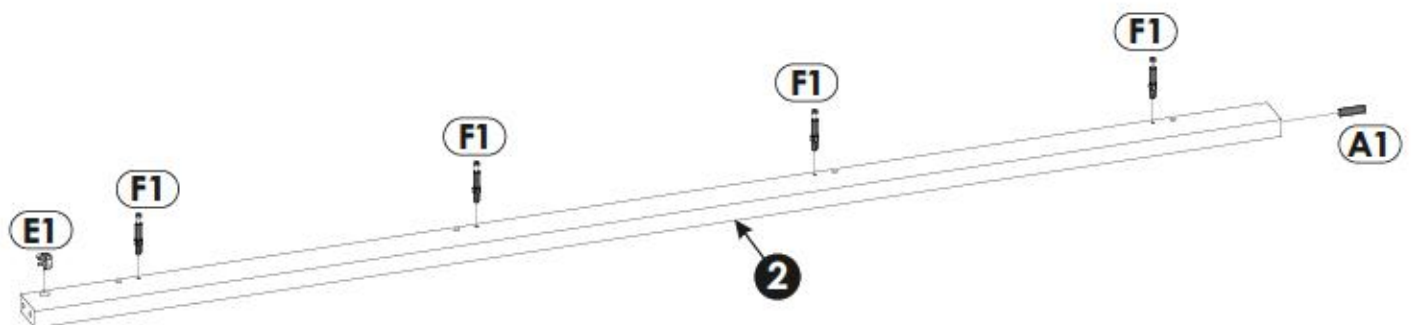
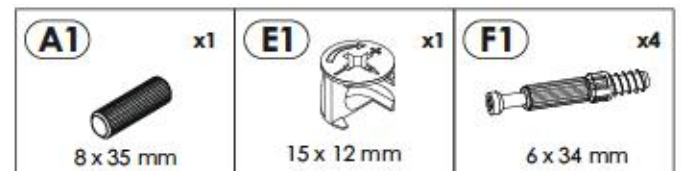
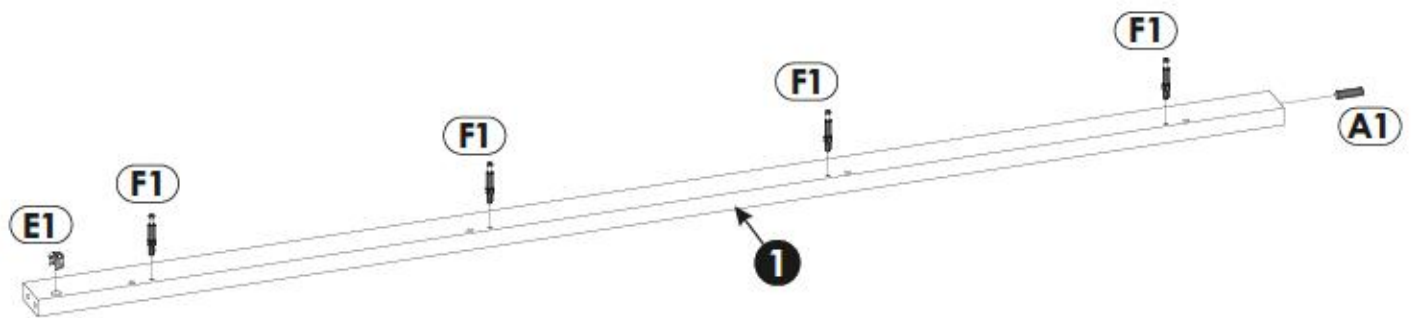
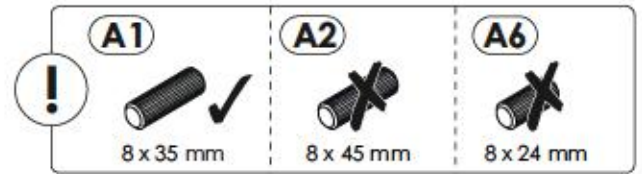
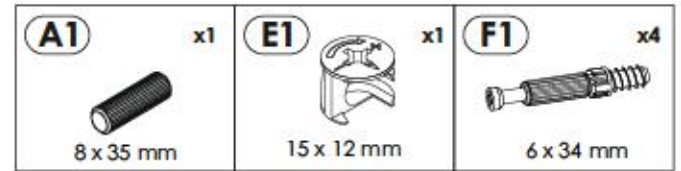
5 ▶



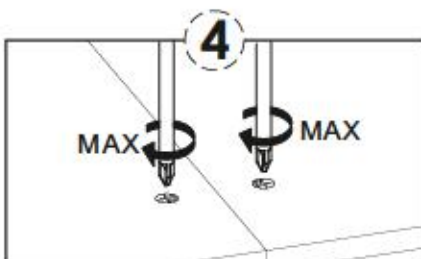
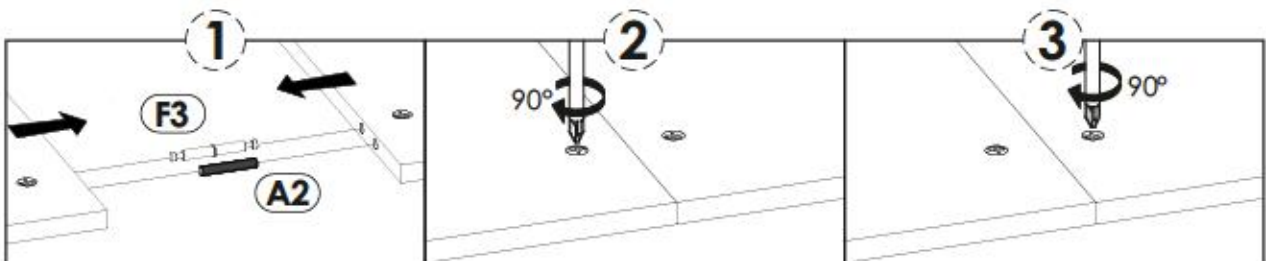
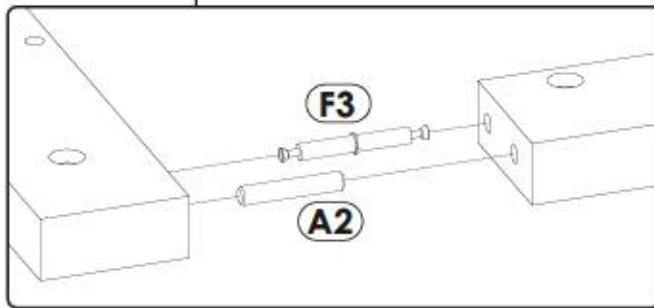
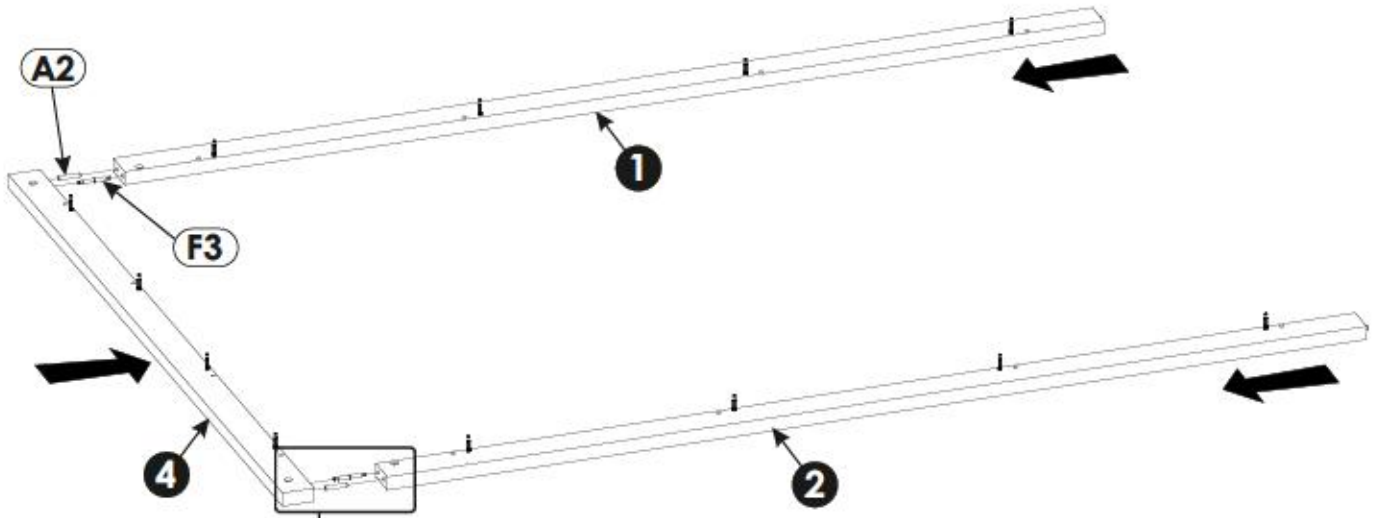
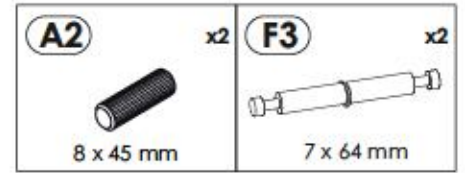
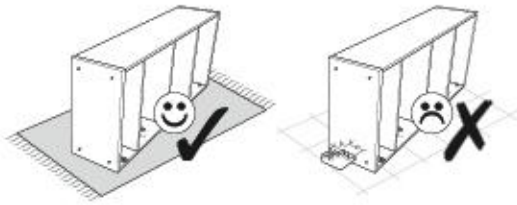
6 ▶



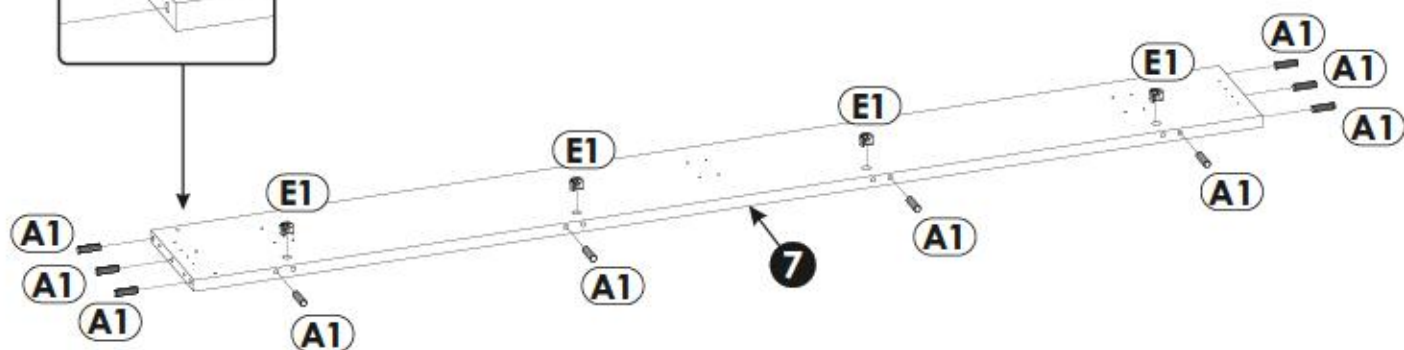
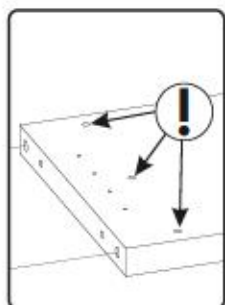
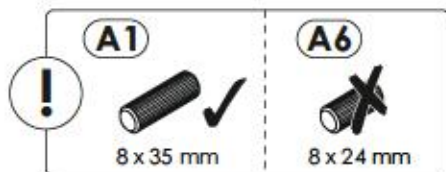
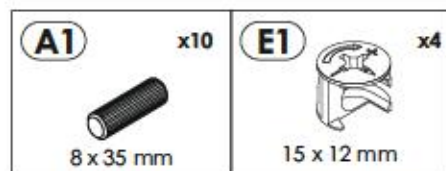




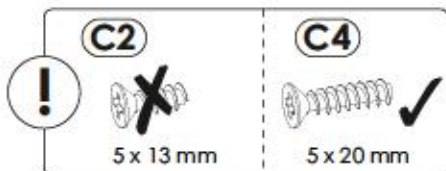
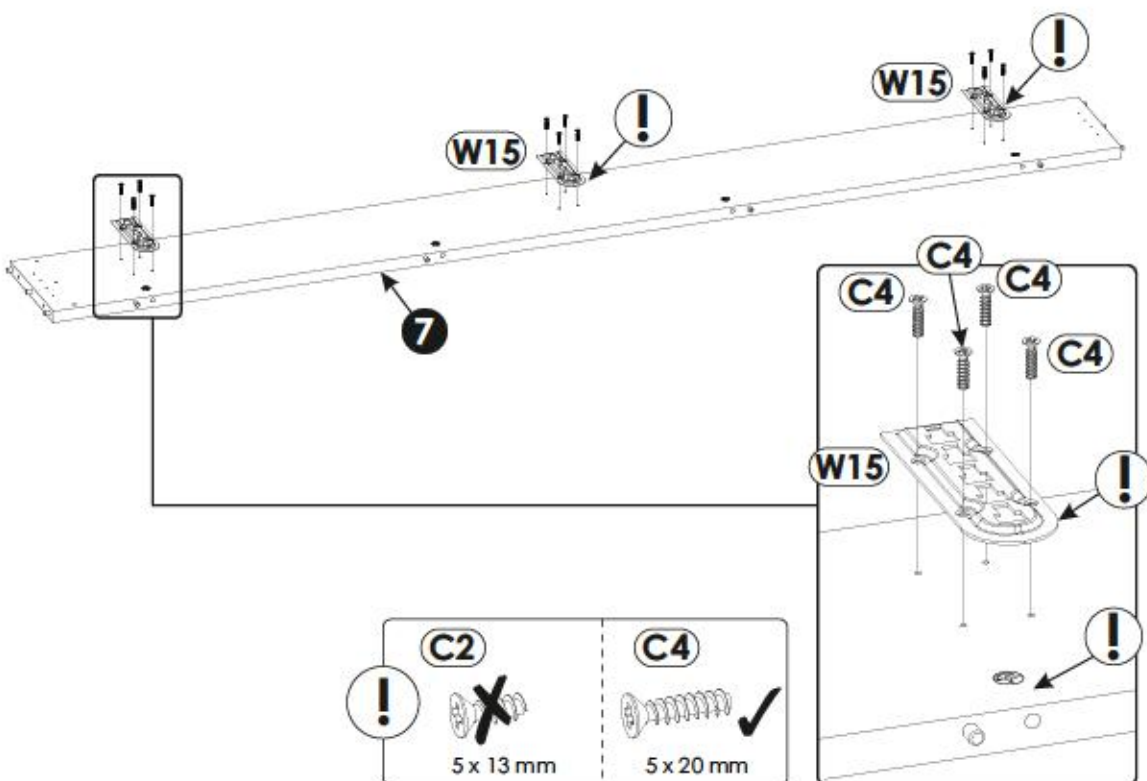
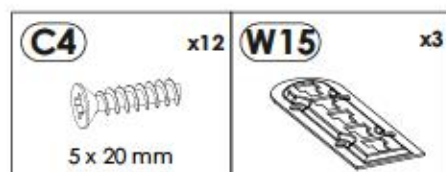
11 ▶



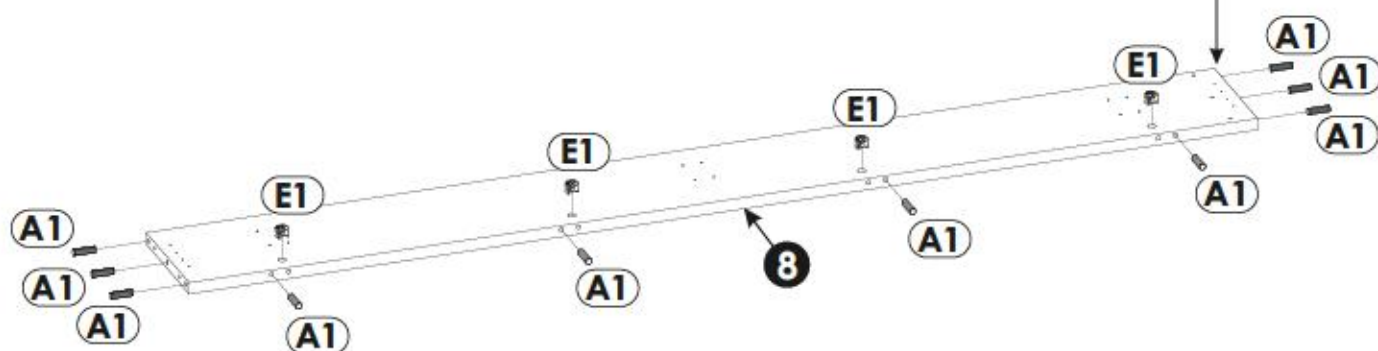
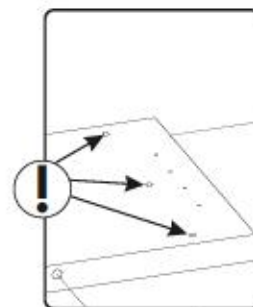
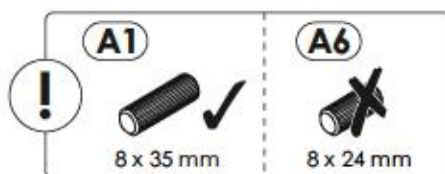
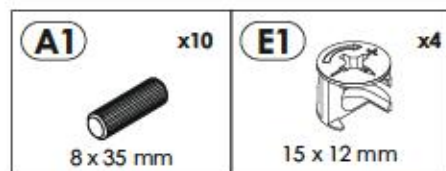
12▶



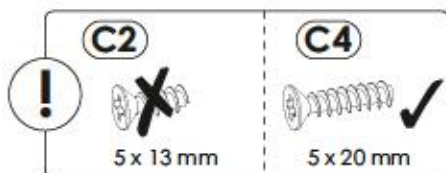
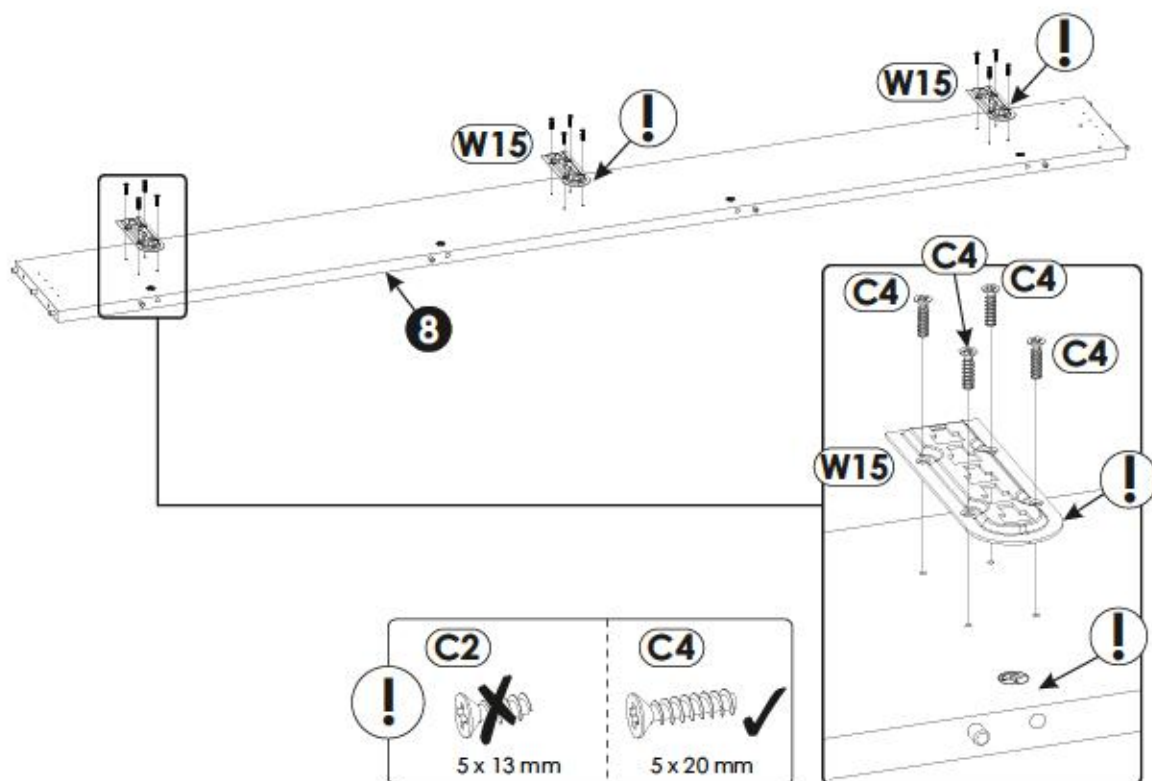
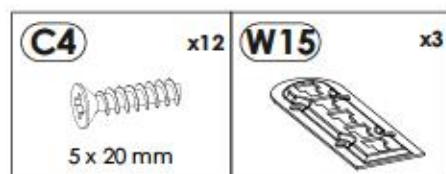
13▶



14▶



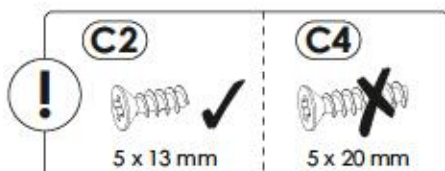
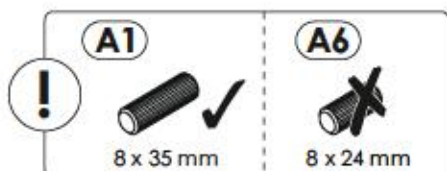
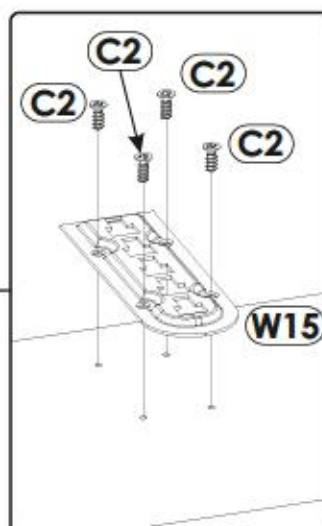
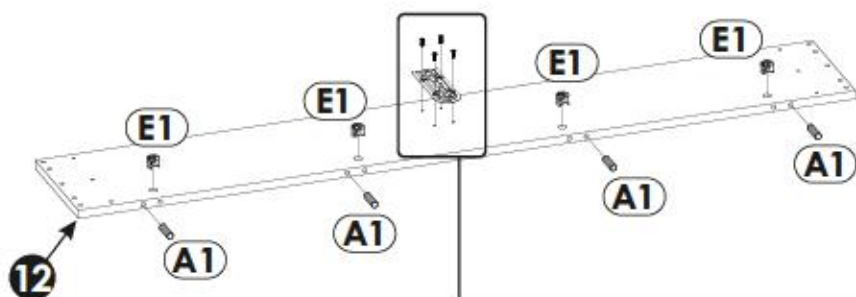
15▶



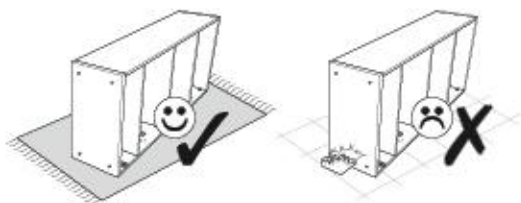
16▶



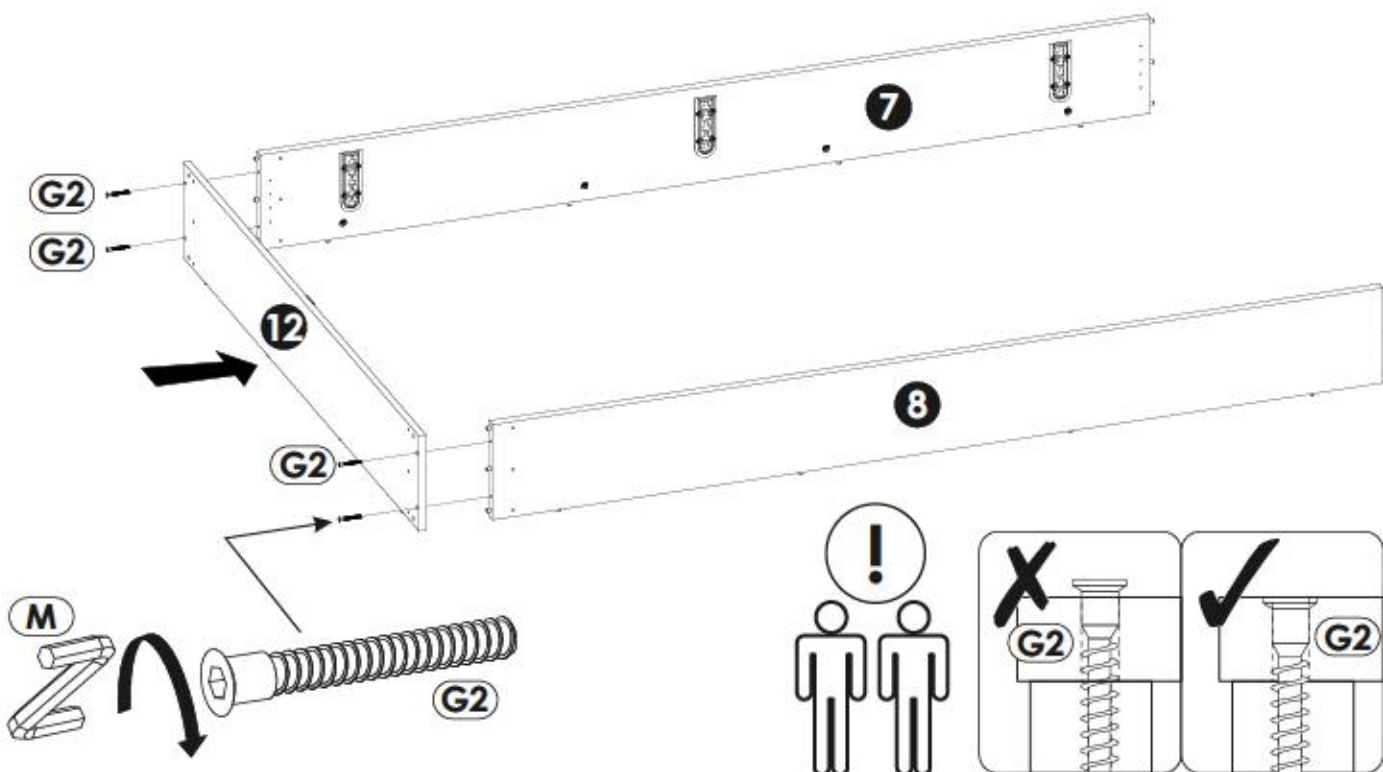
A1 8 x 35 mm x4	C2 5 x 13 mm x4	E1 15 x 12 mm x4
W15 x1		

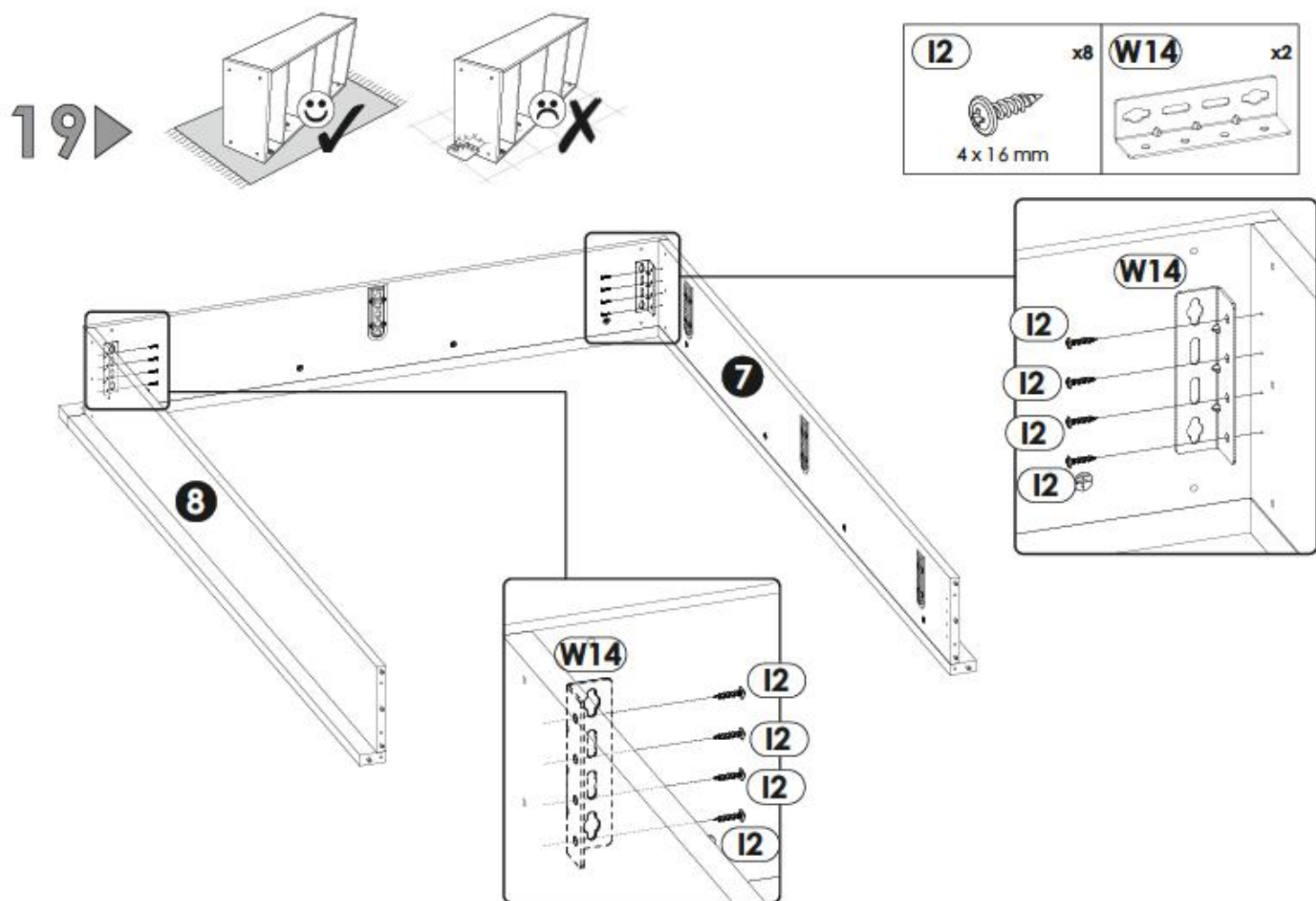
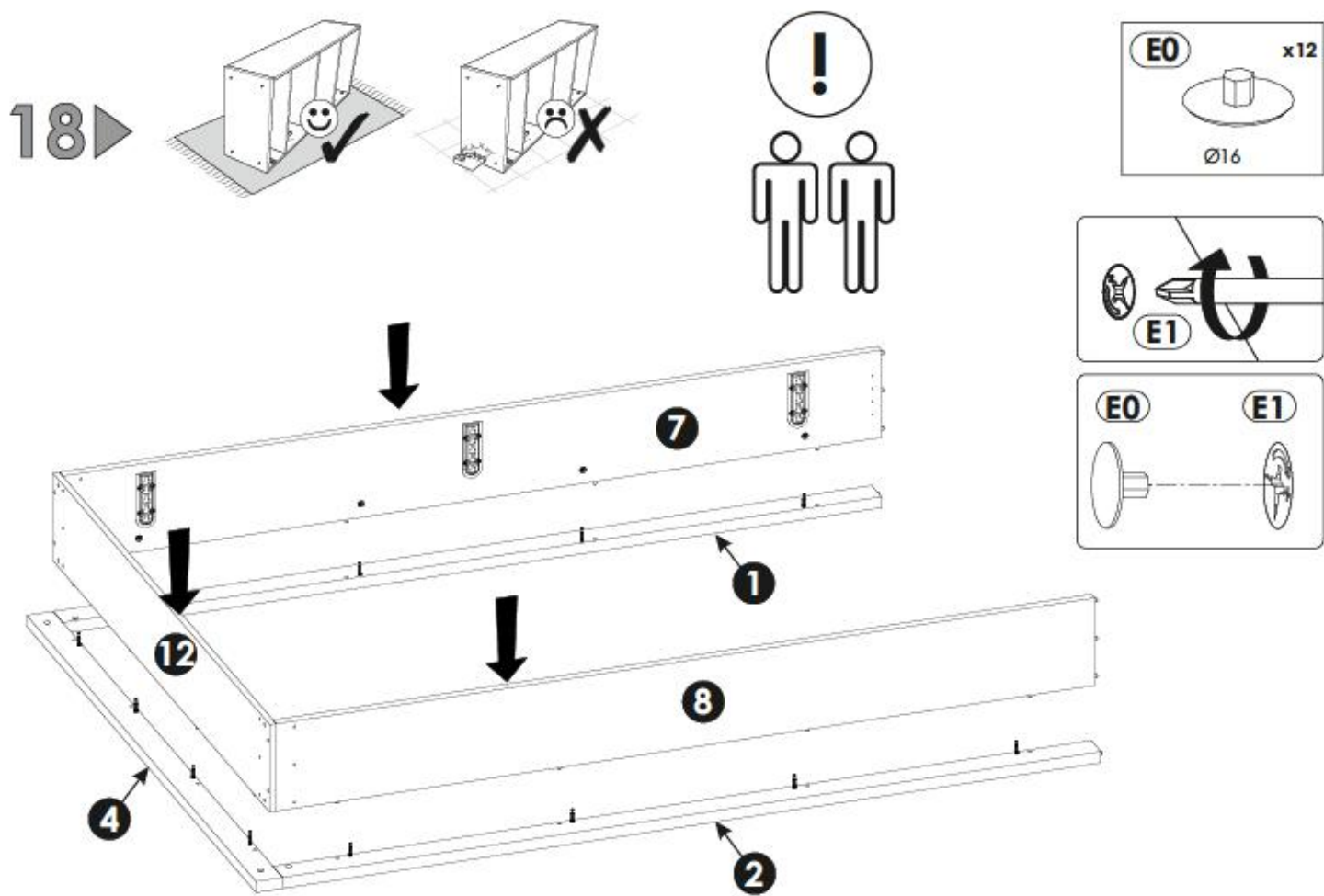


17▶

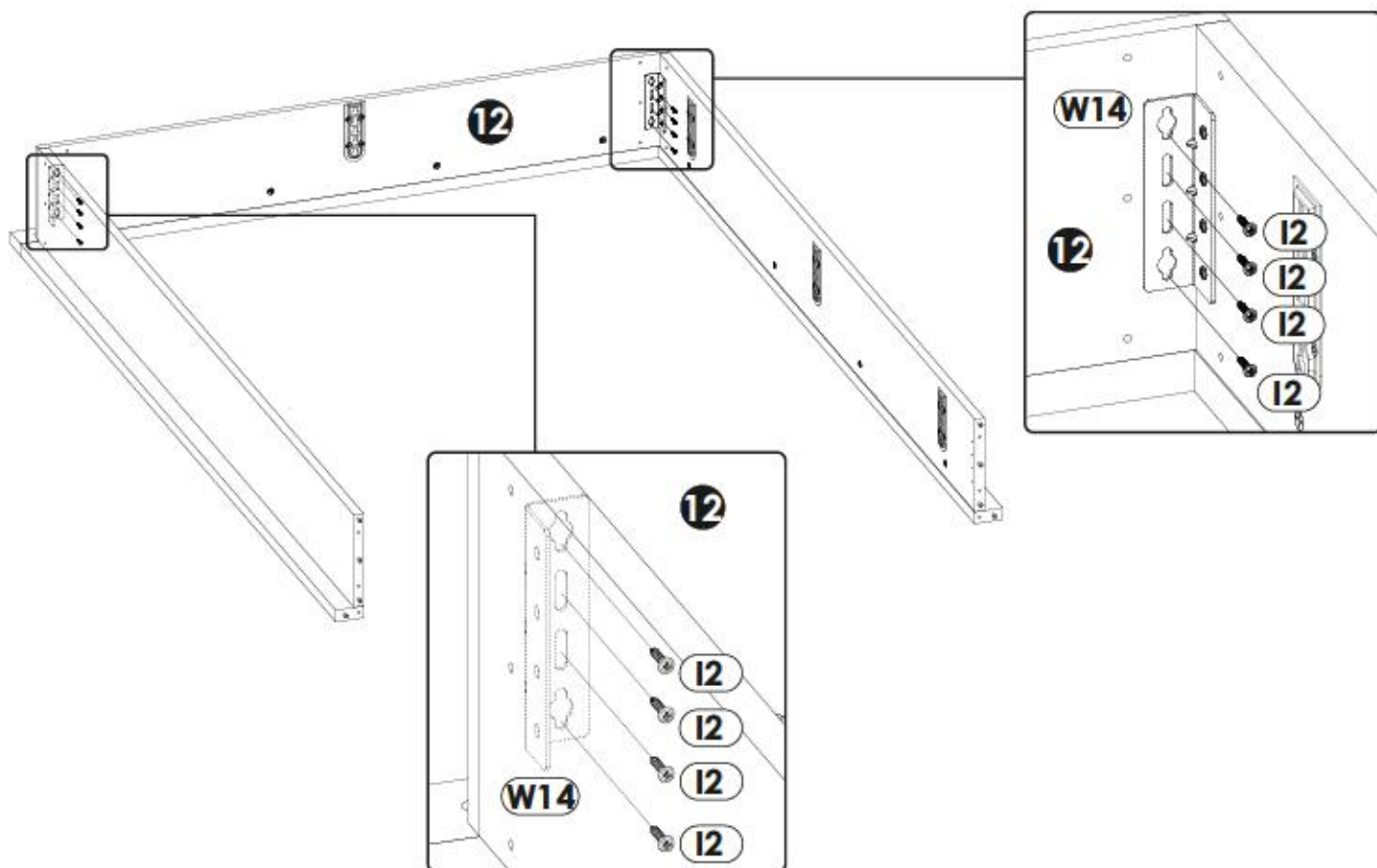
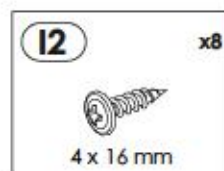
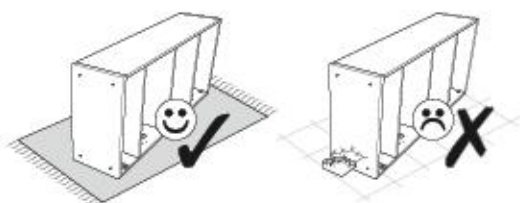


G2 7 x 60 mm x4

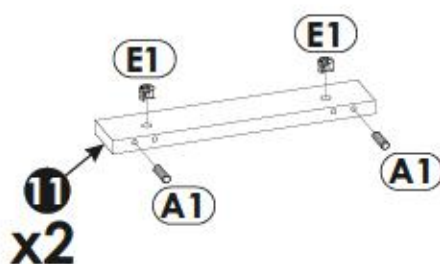
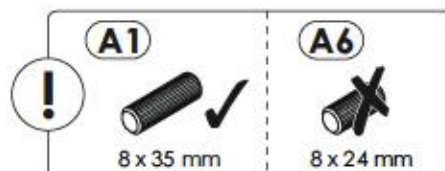




20 ▶





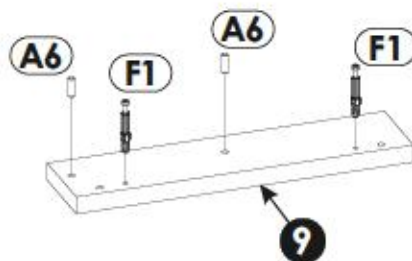
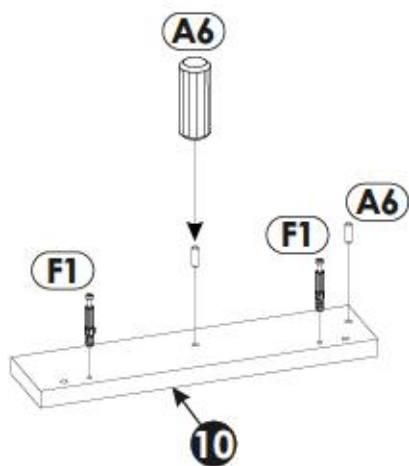
21 ▶



22 ▶




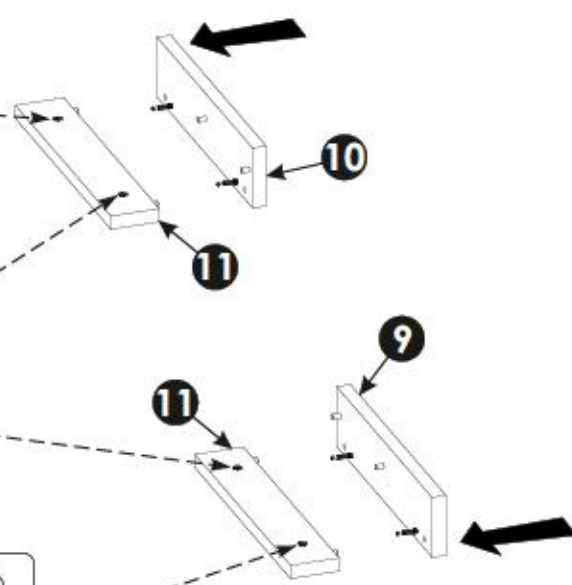
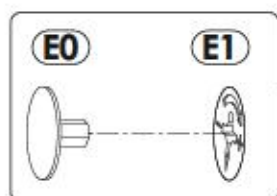
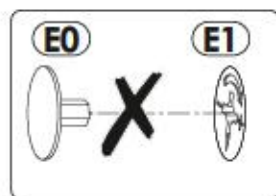
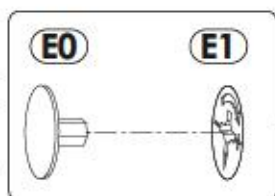
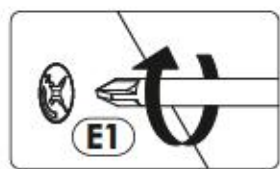
A6	x4	F1	x4
			
8 x 24 mm		6 x 34 mm	



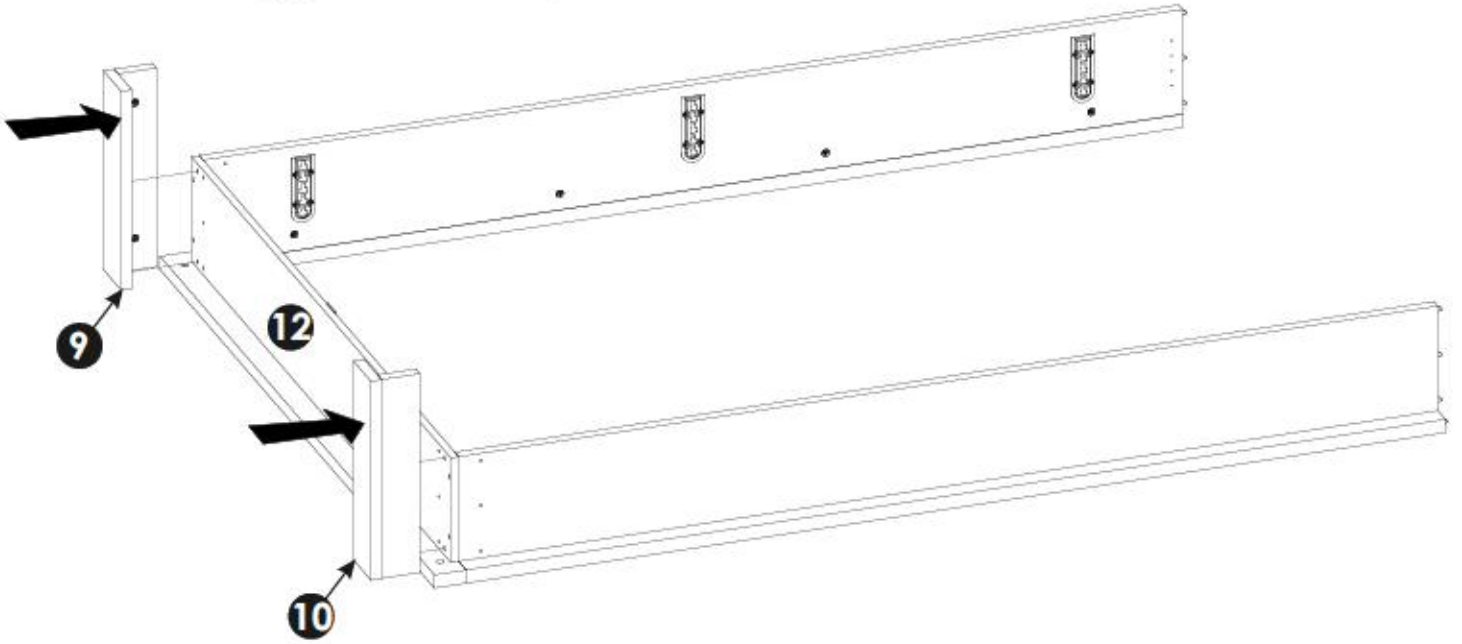
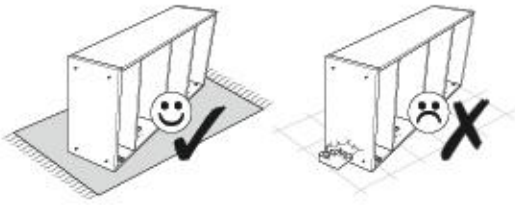
23 ▶



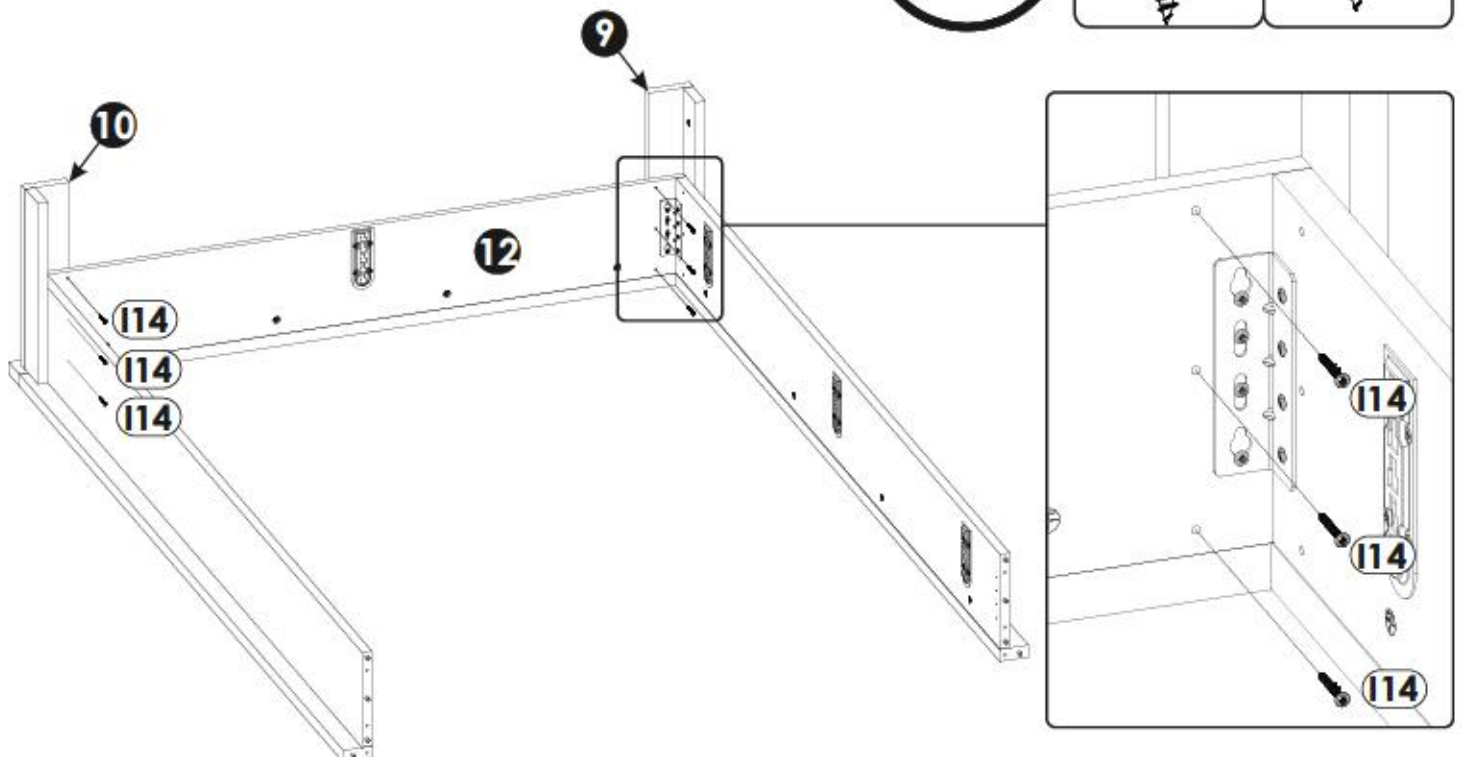
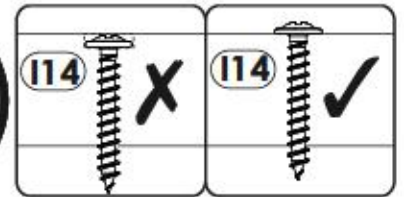
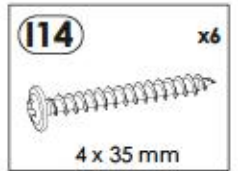
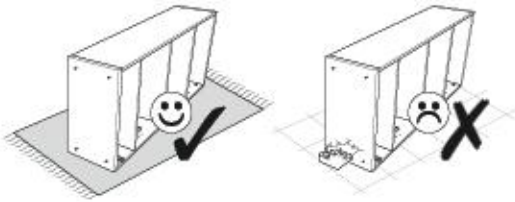
E0	x2
	
Ø16	



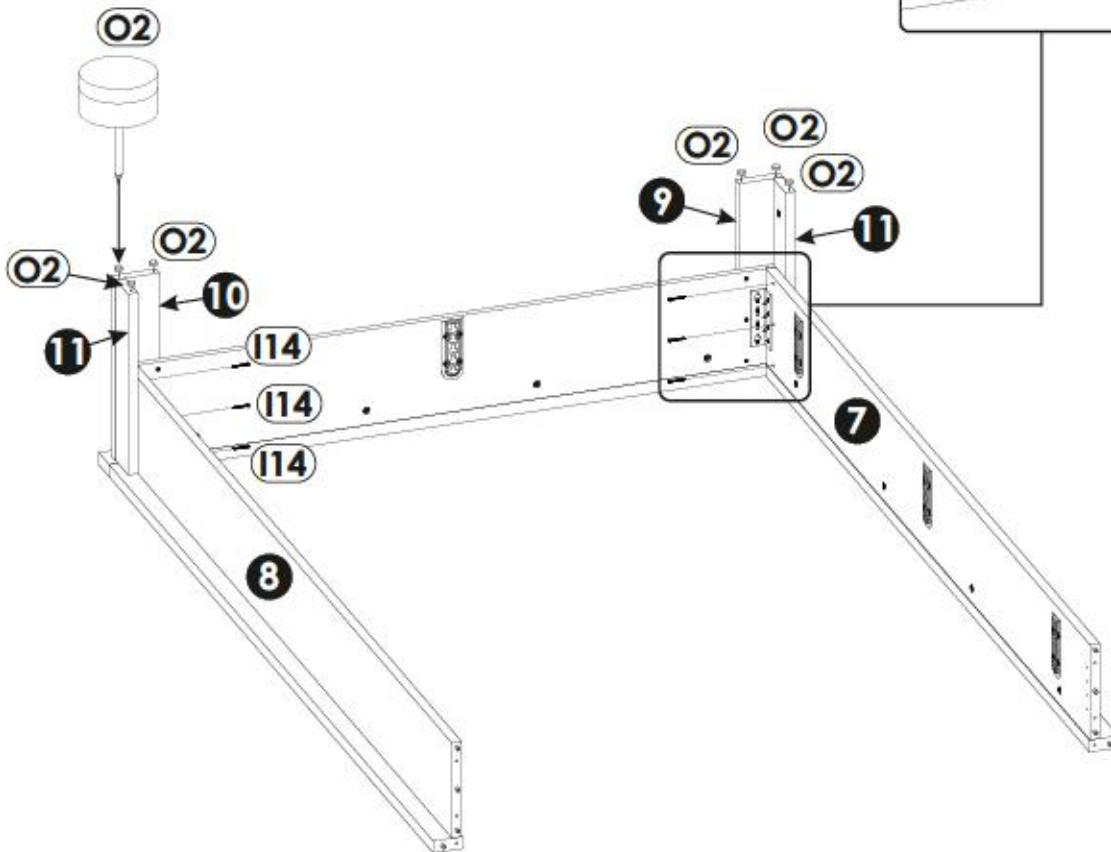
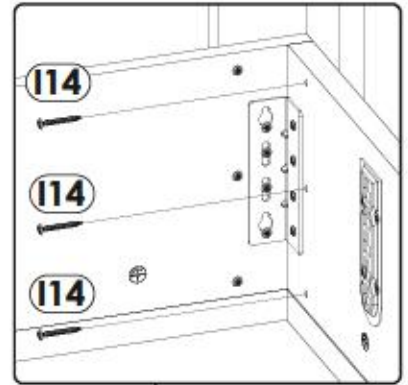
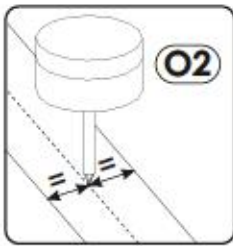
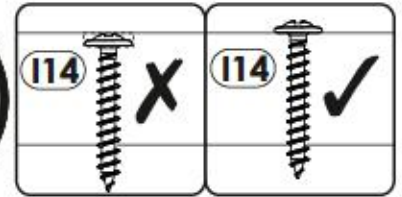
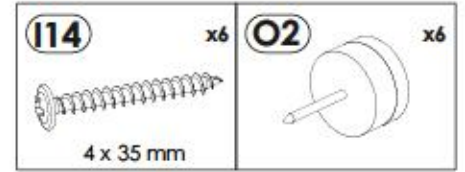
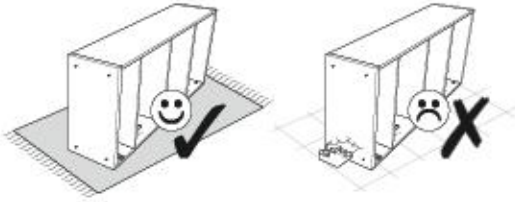
24▶



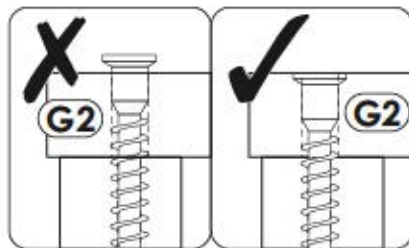
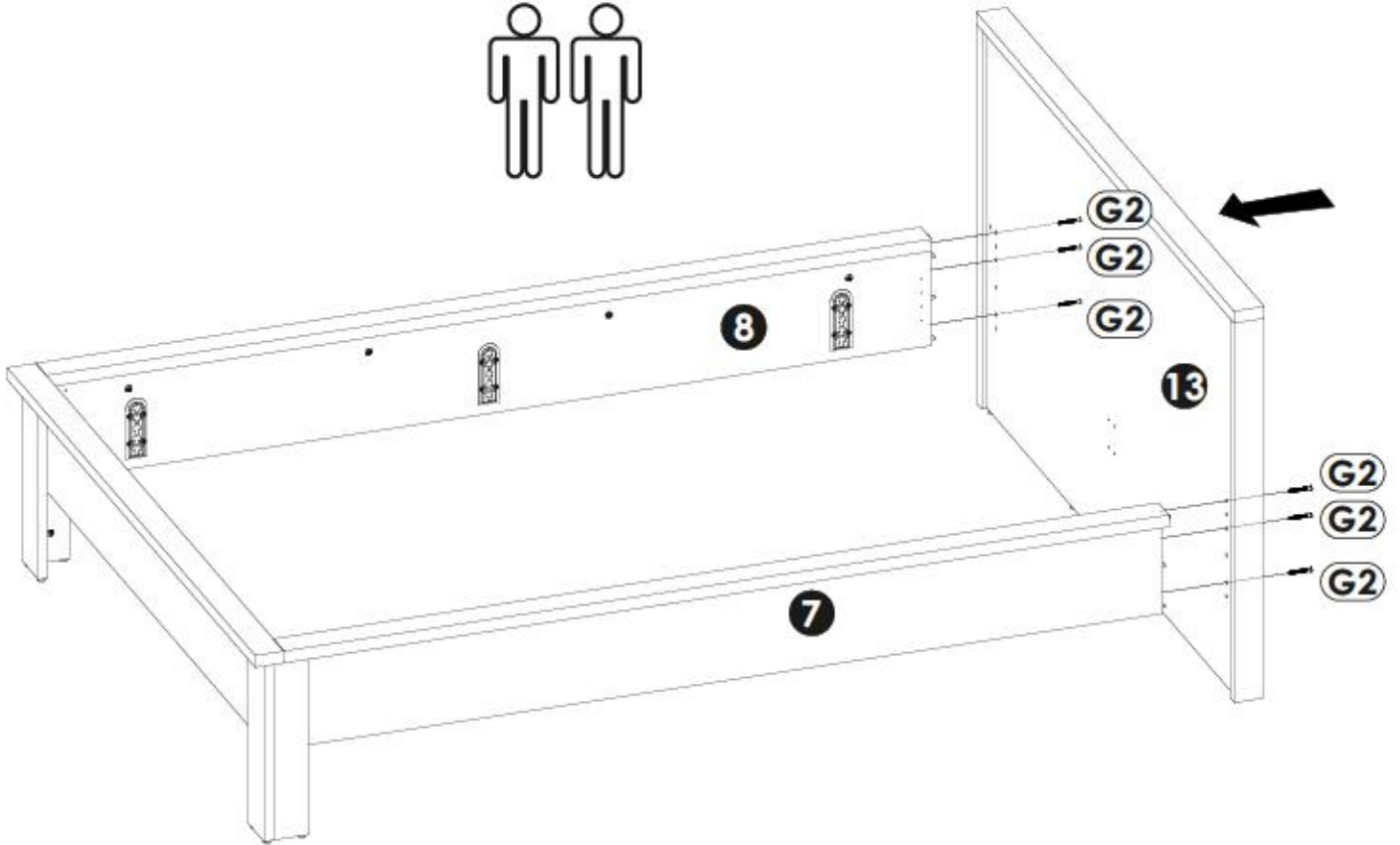
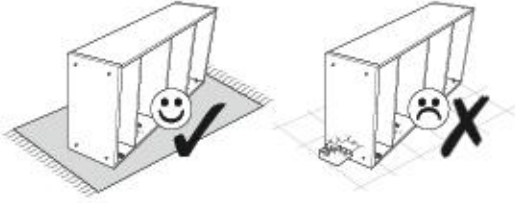
25▶

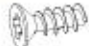





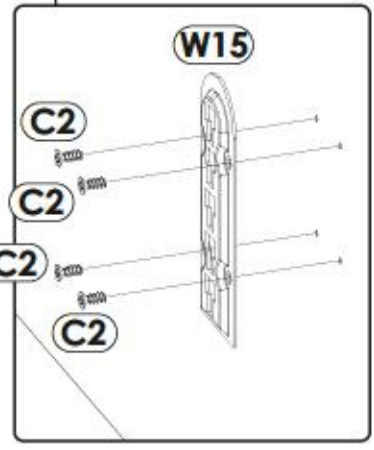
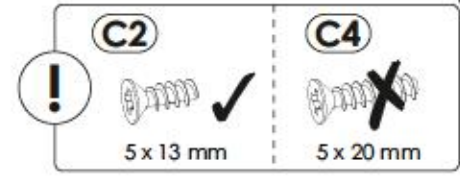
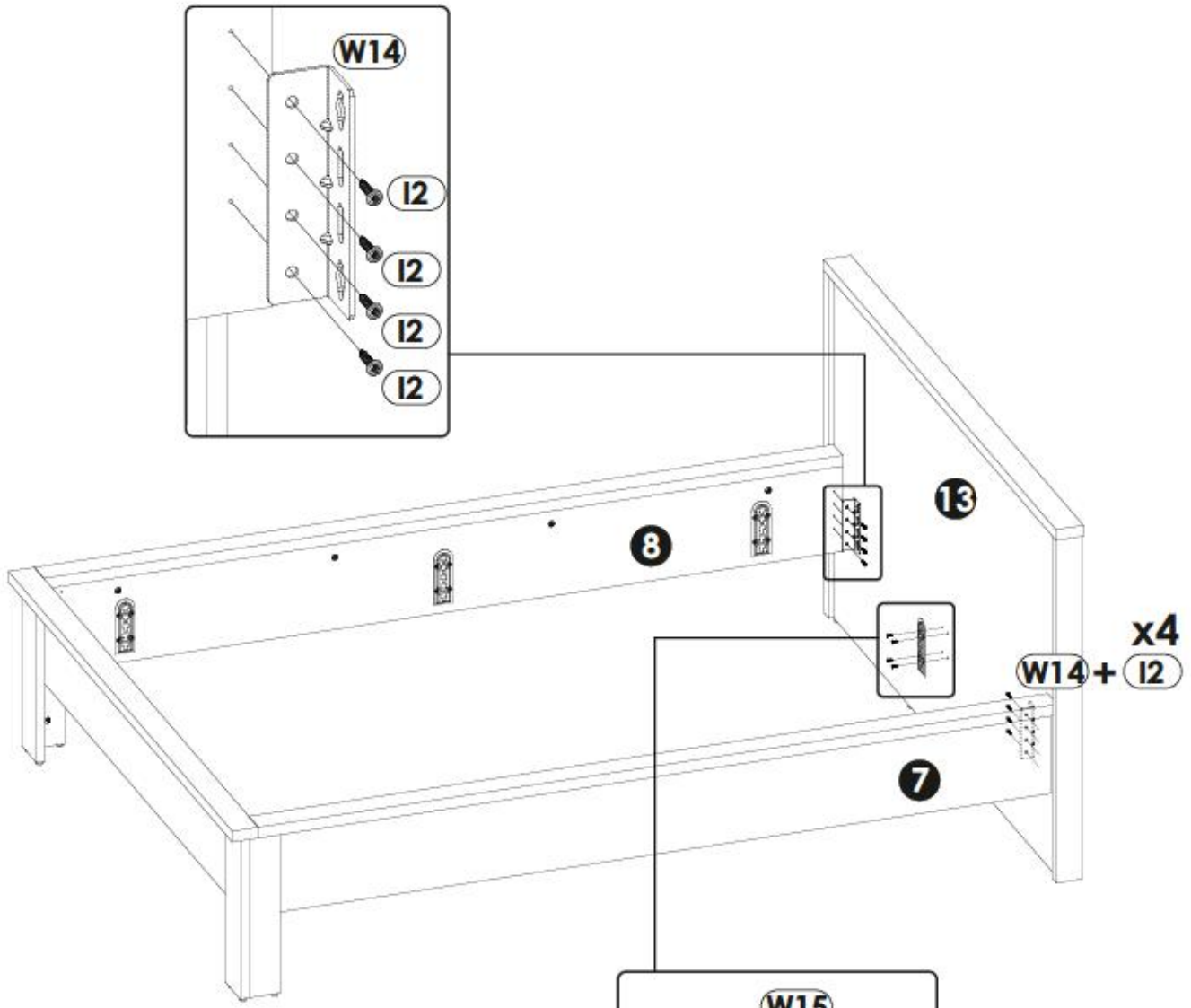
26▶



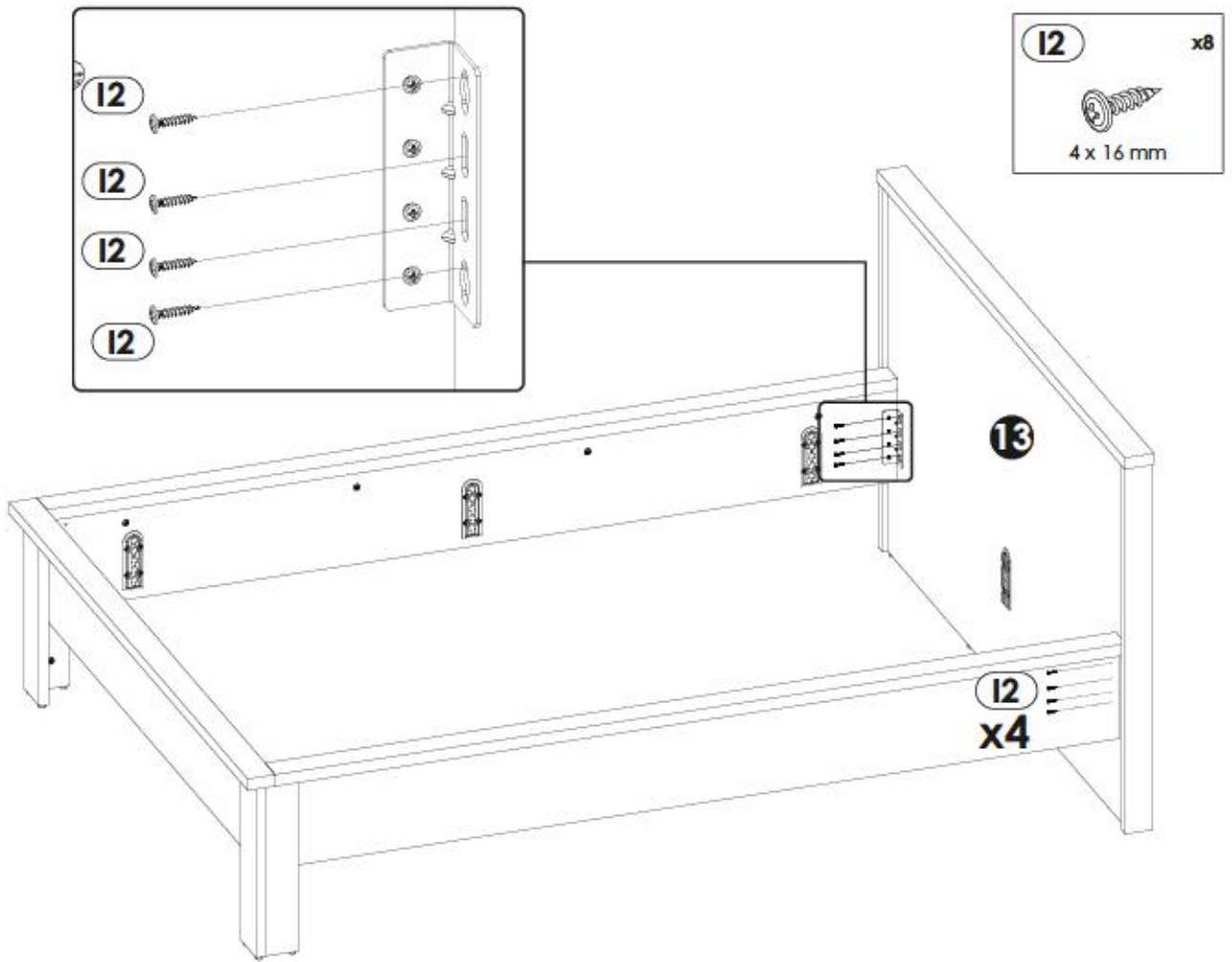
27▶



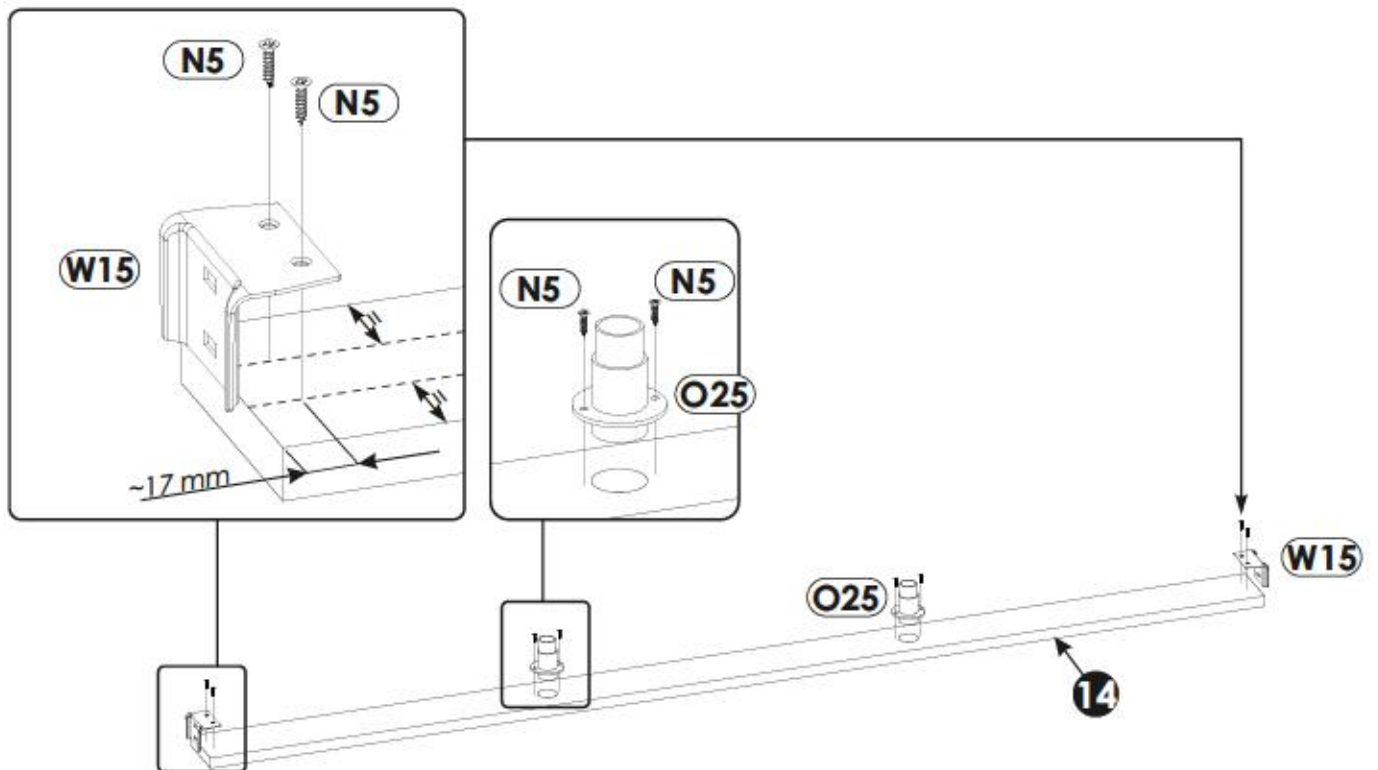
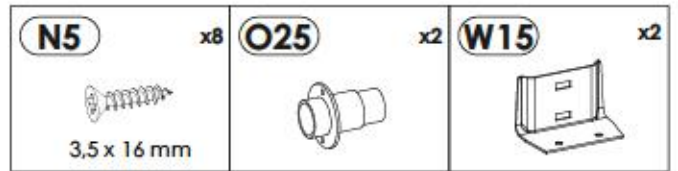
C2  5 x 13 mm	x4	I2  4 x 16 mm	x8	W14  x2	W15  x1	x1
---	----	--	----	---	---	----



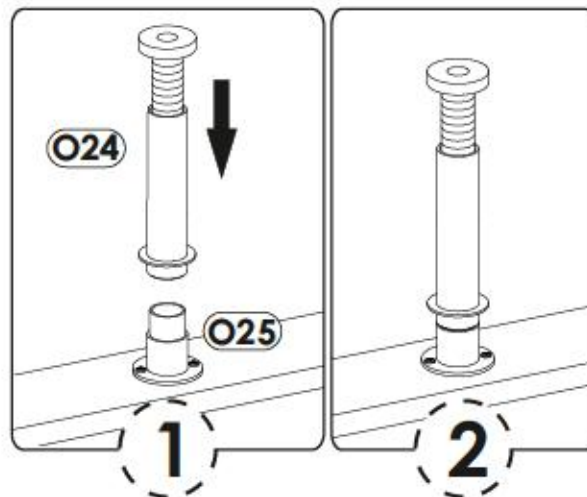
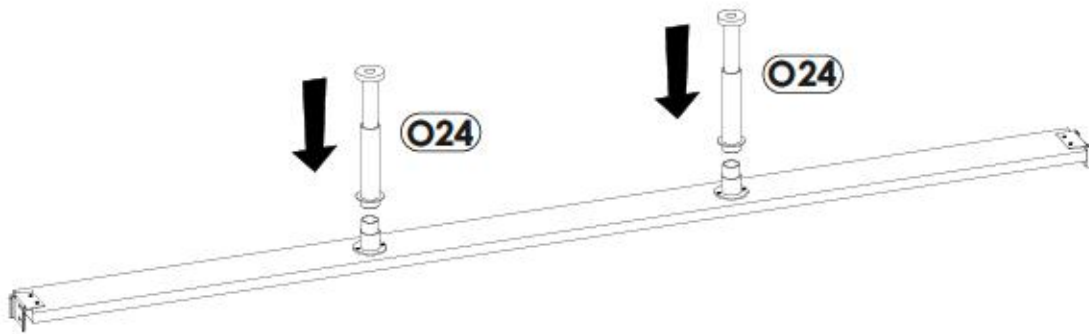
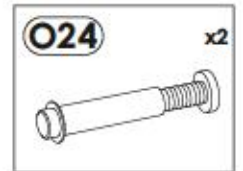
29 ▶

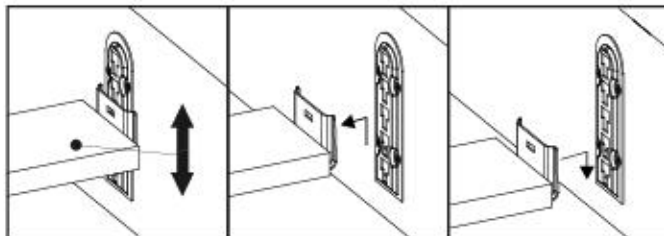
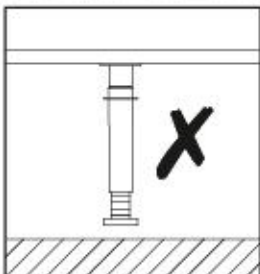
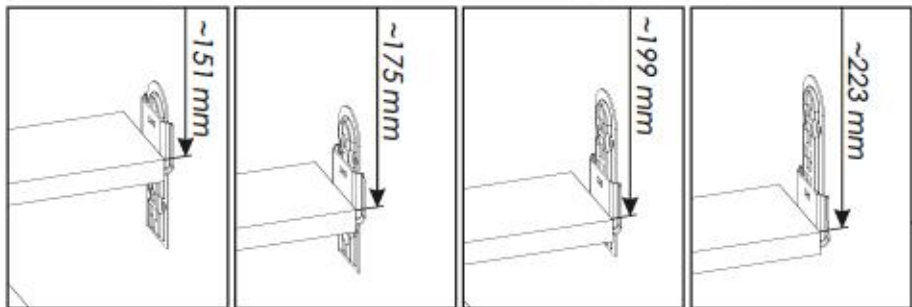
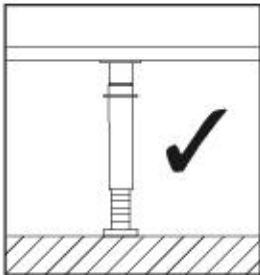
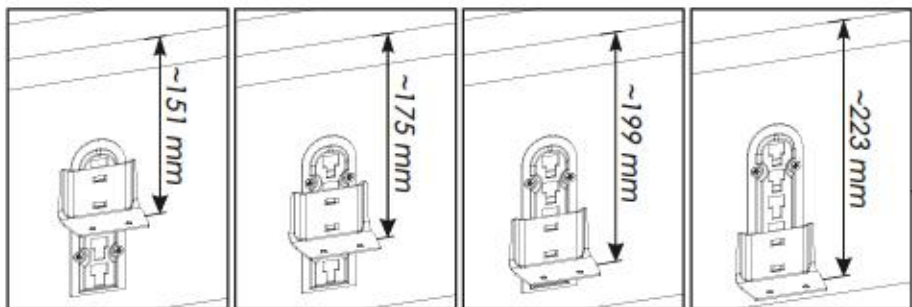
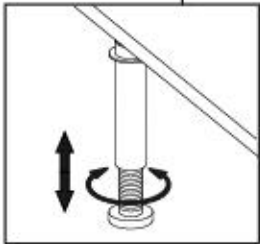
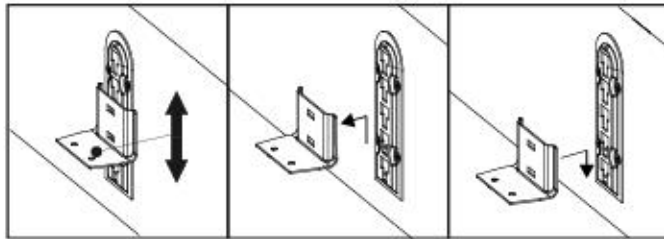
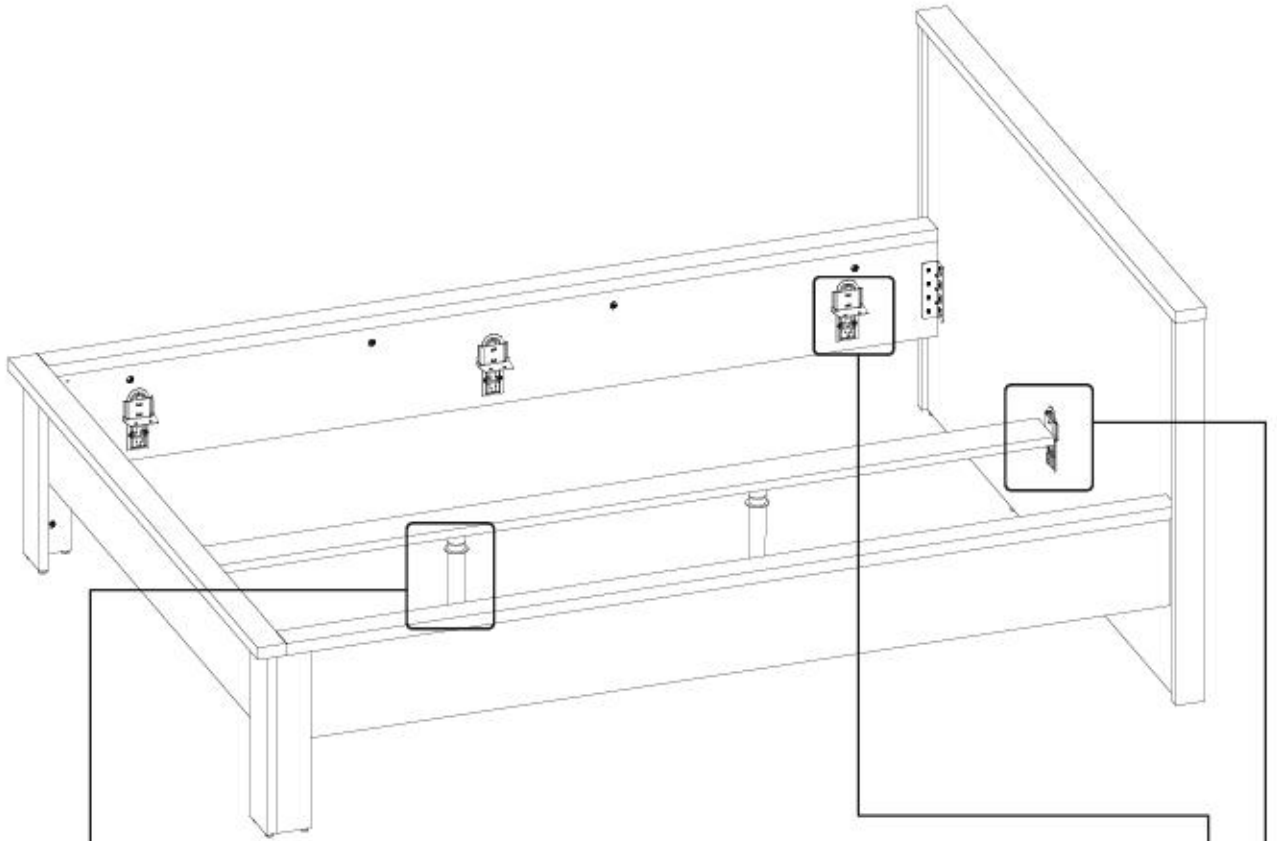


30 ▶



31 ▶▶





33▶

