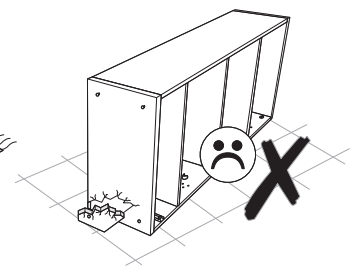
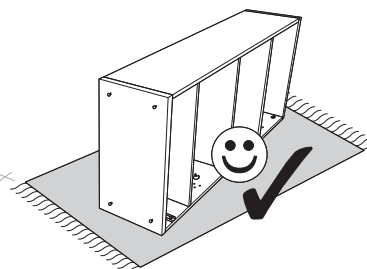
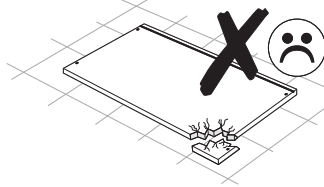
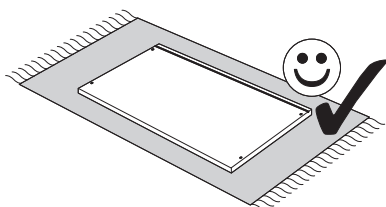
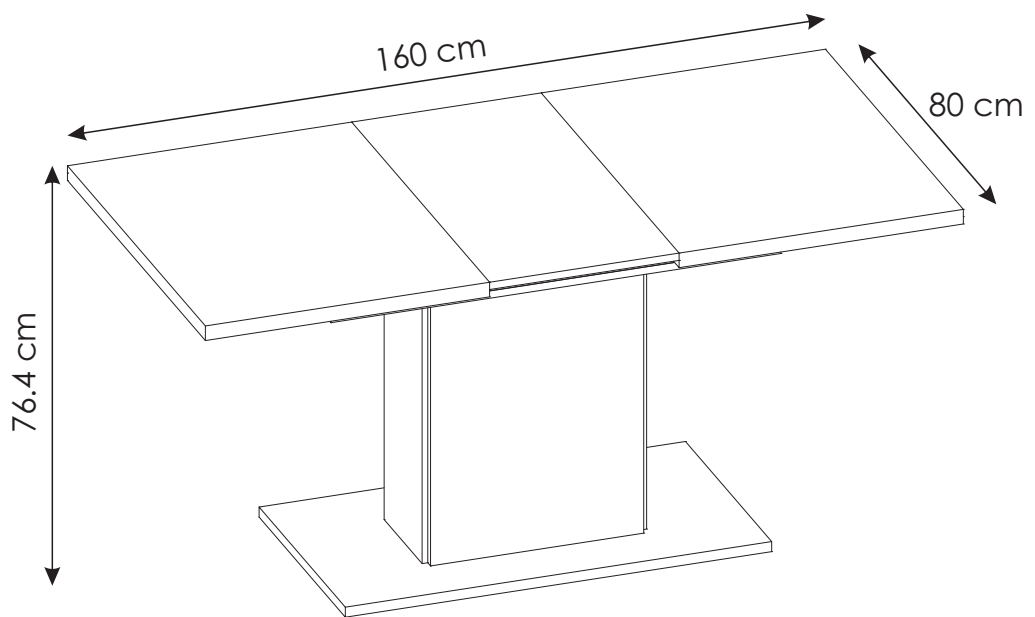
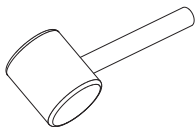
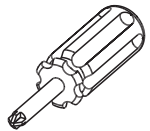
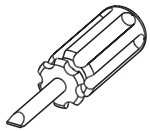
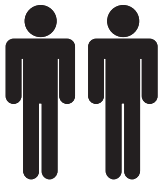
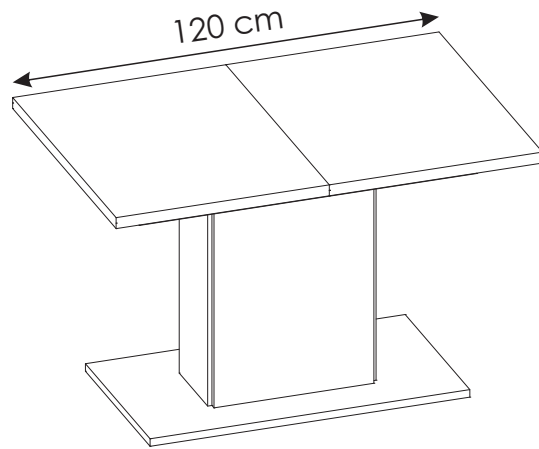
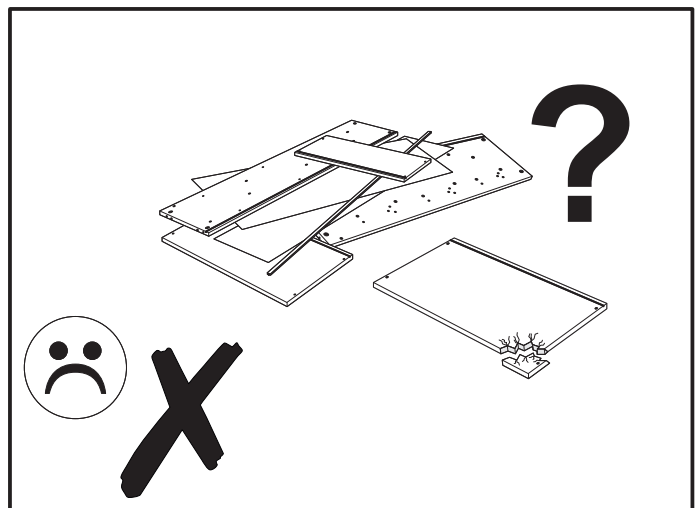
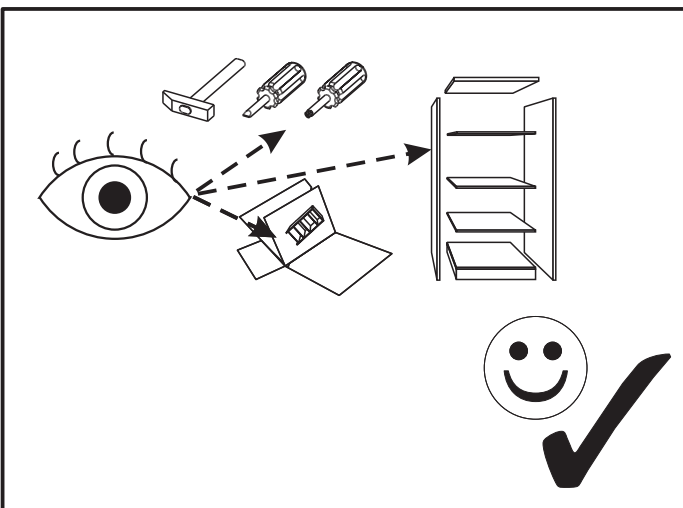
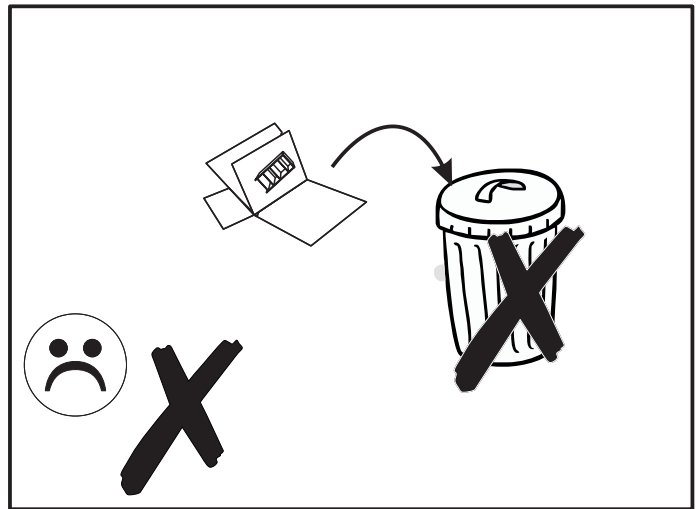
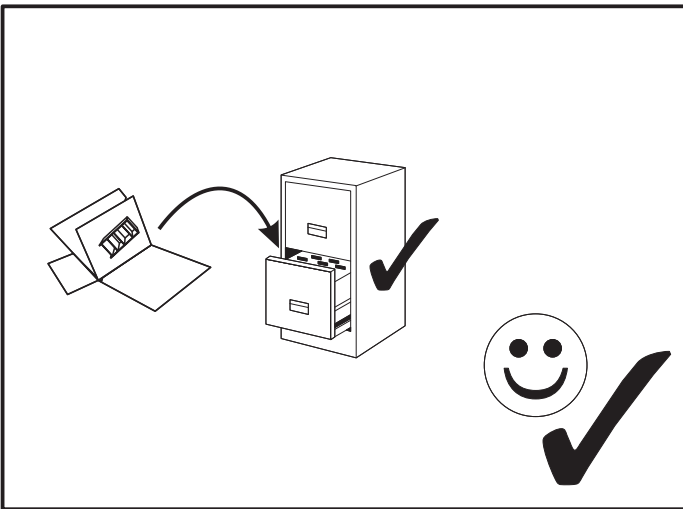
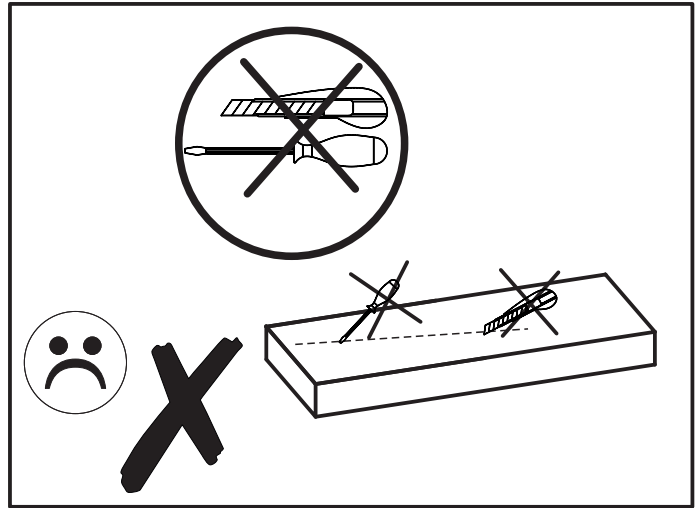
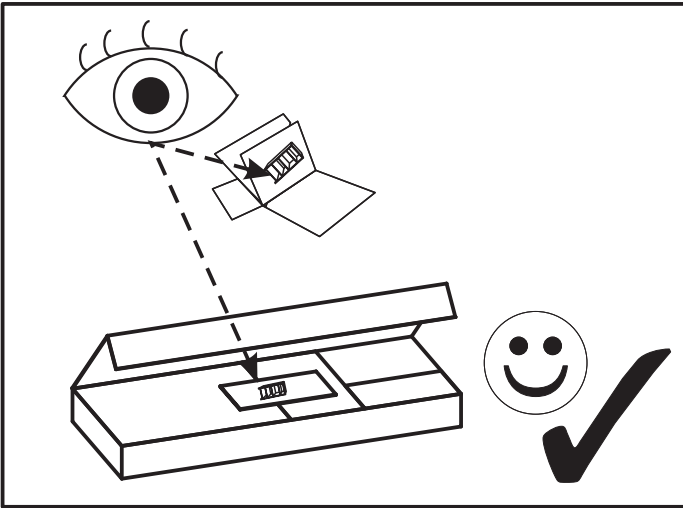


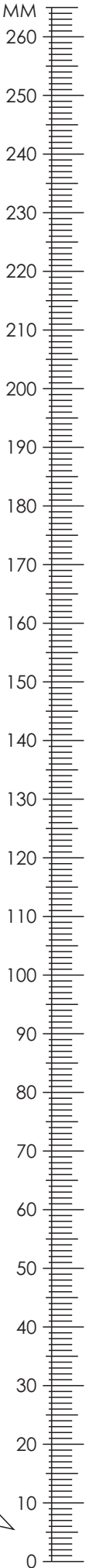
# ARIANA / ARIANA II xxx-541

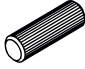




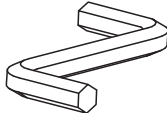



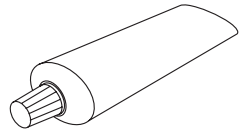


HELA Tische Möbel Vertriebs GmbH  
Scheidkamp 14  
D - 32584 Löhne

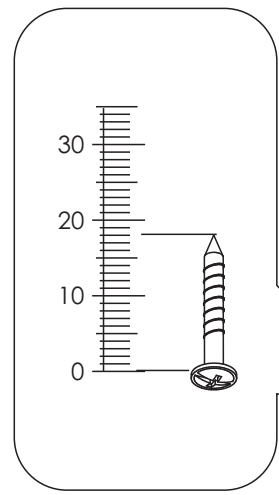




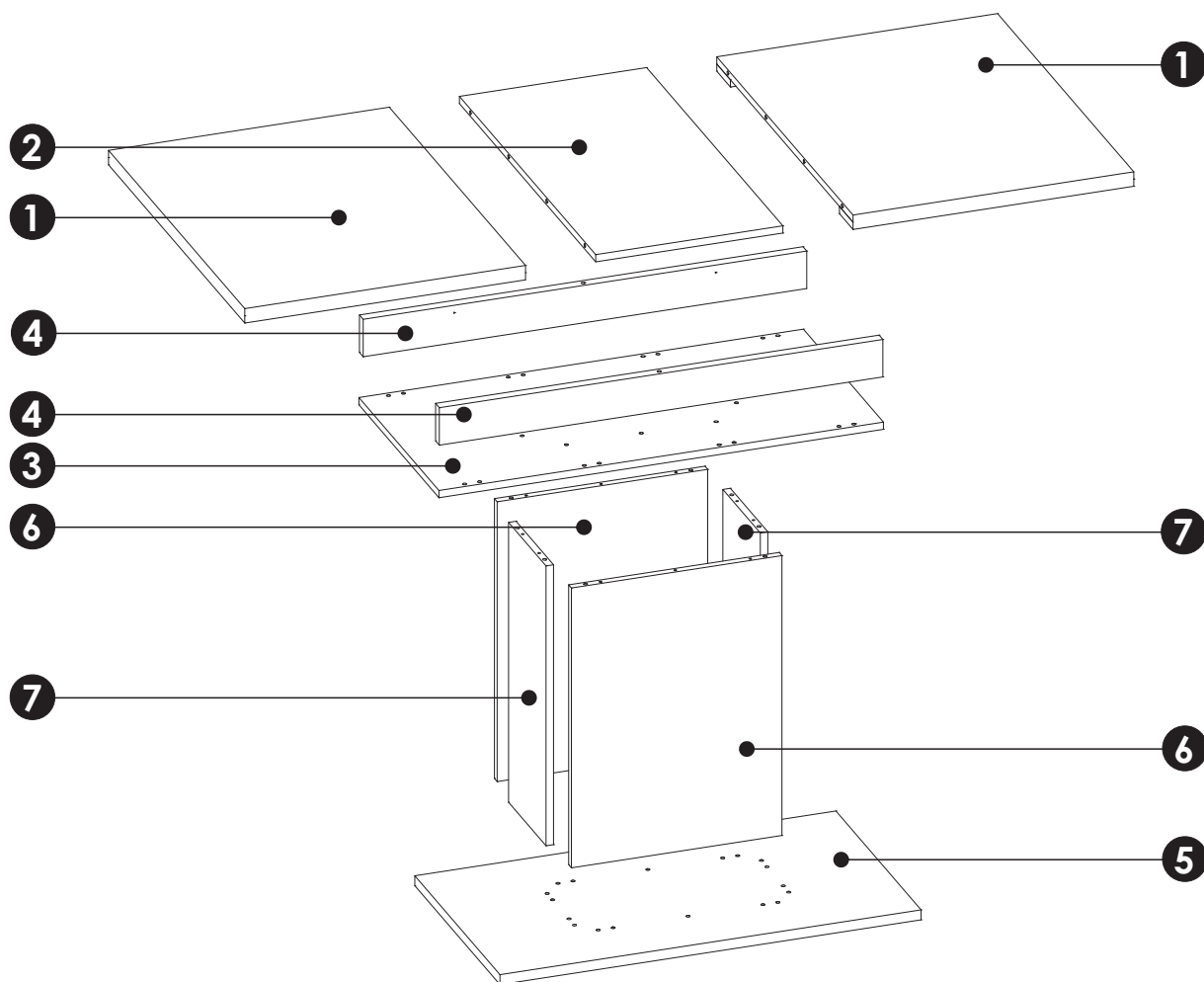
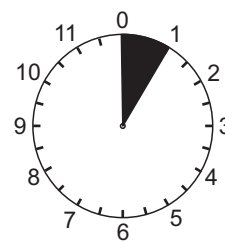
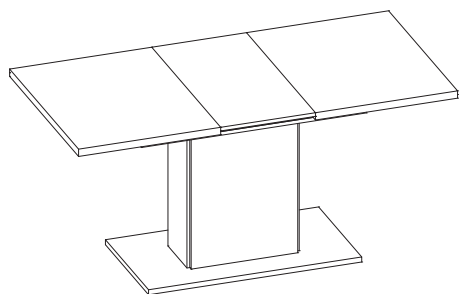
# ARIANA / ARIANA II xxx-541



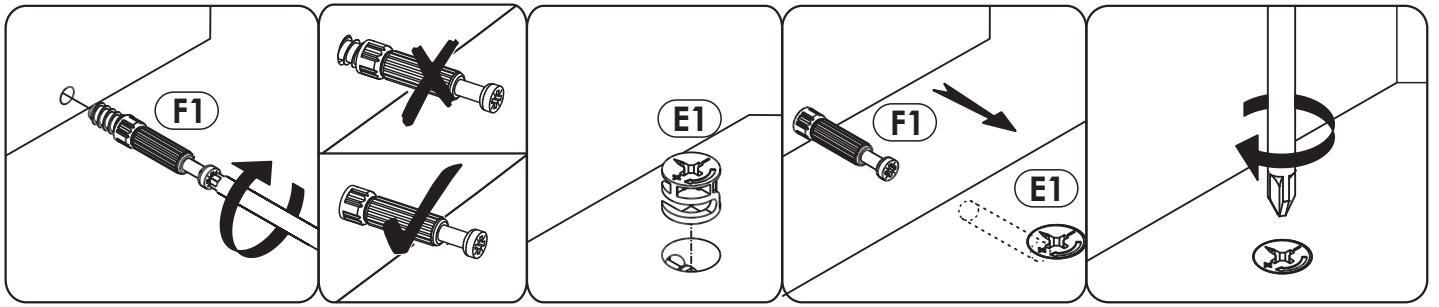
<b>A1</b> 8 x 35 mm x24 	<b>G0</b> x18 	<b>G2</b> 7 x 60 mm x28 
<b>I3</b> 4 x 20 mm x12 	<b>I4</b> 4 x 12 mm x24 	<b>M</b> x1 
<b>O2</b> x6 	<b>O2A</b> ø20 x8 	<b>R8</b> x10 
<b>S</b> x1 	<b>S19</b> x4 	<b>T12</b> x2 



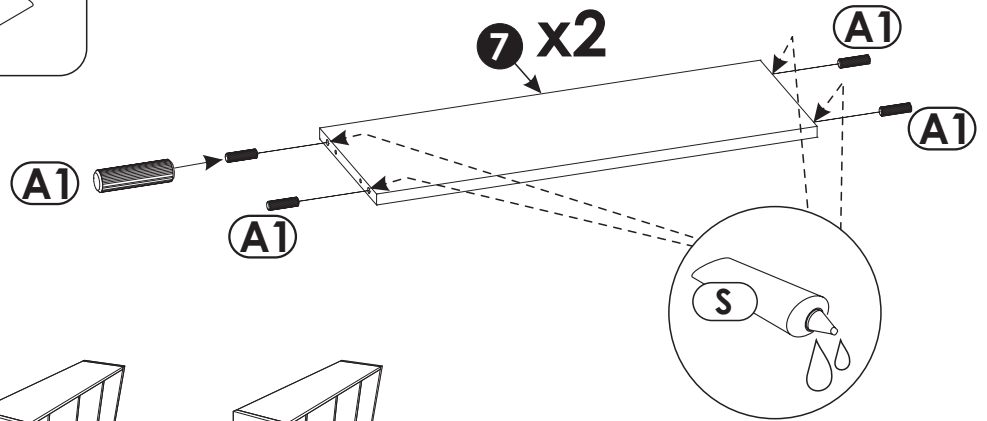
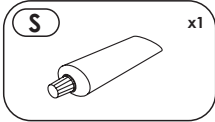
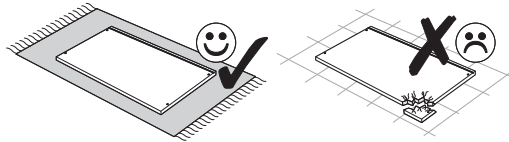
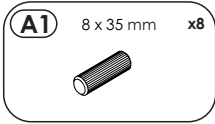
# ARIANA / ARIANA II xxx-541



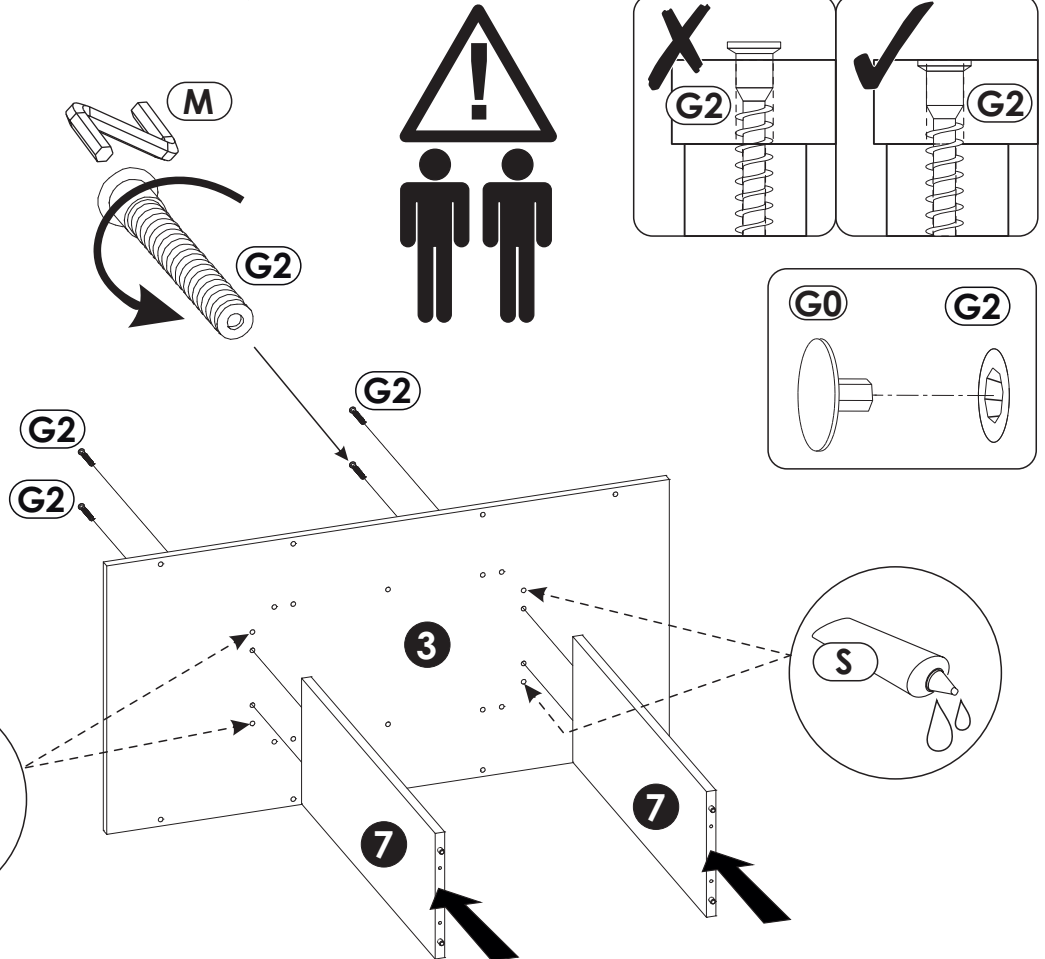
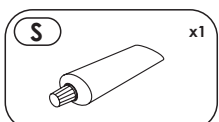
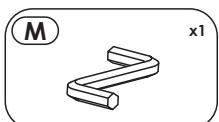
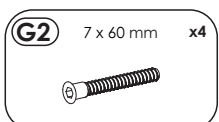
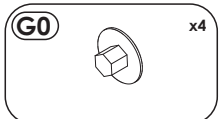
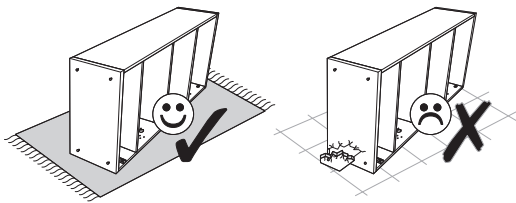
<b>1</b>	800	600	32	x2	2/2
<b>2</b>	800	400	16	x1	2/2
<b>3</b>	470	950	16	x1	1/2
<b>4</b>	83	948	22	x2	1/2
<b>5</b>	900	500	22	x1	1/2
<b>6</b>	620	450	16	x2	1/2
<b>7</b>	620	220	16	x2	1/2



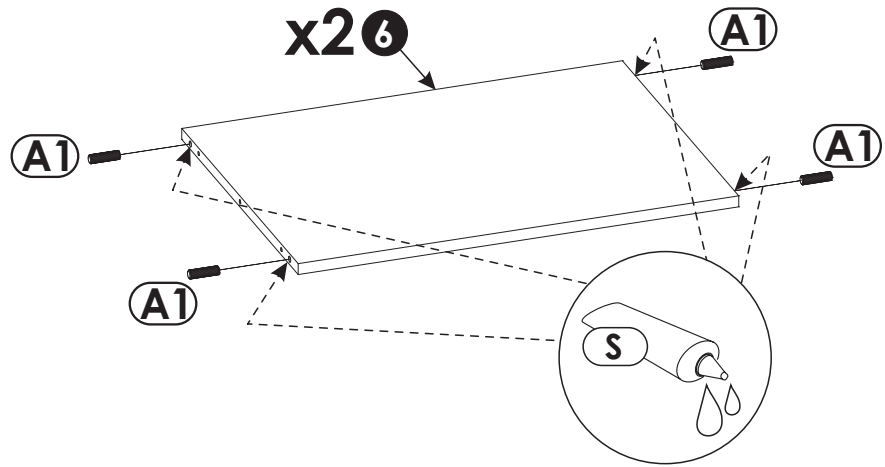
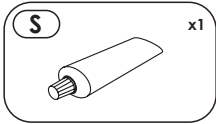
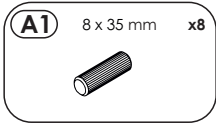
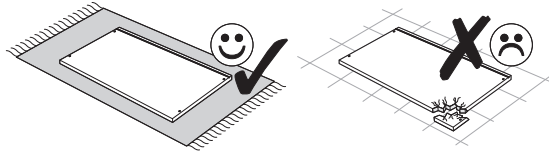
1 ▶



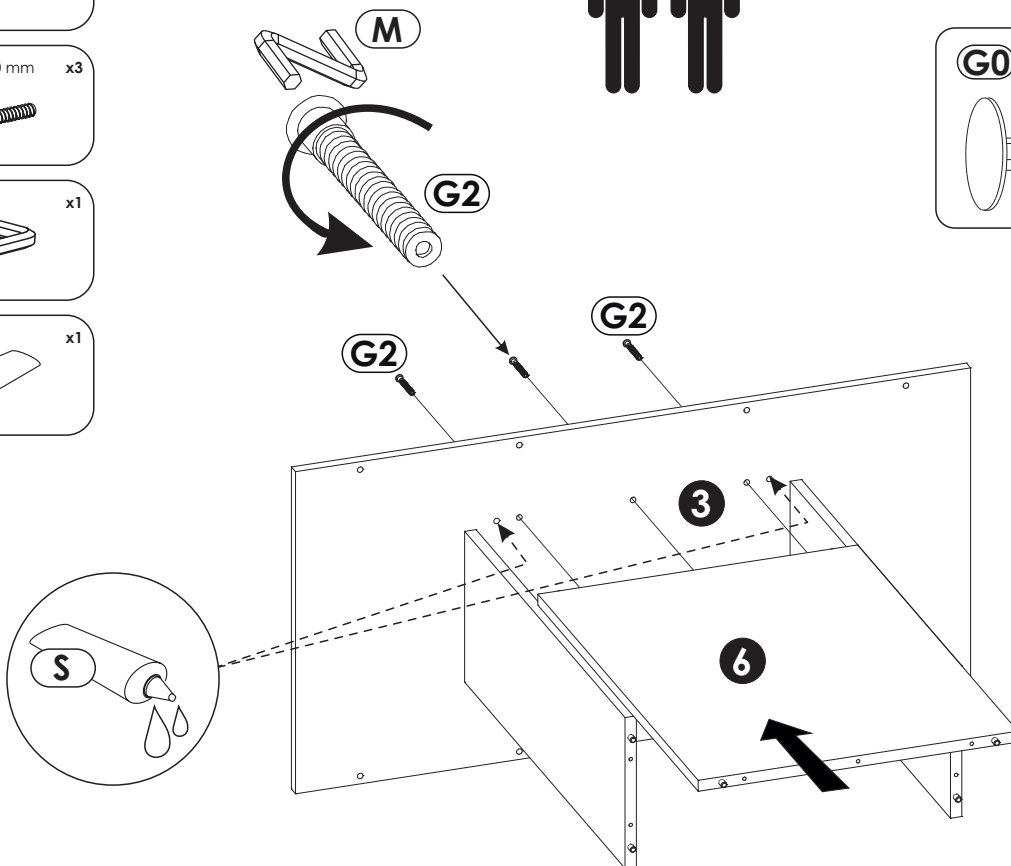
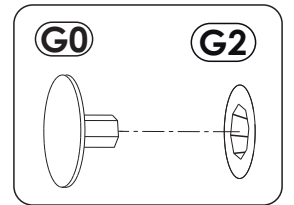
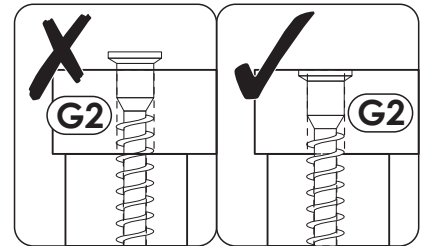
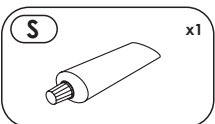
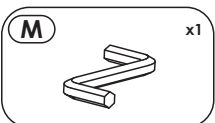
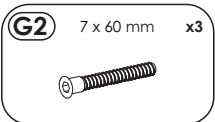
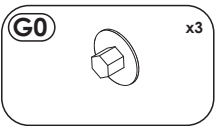
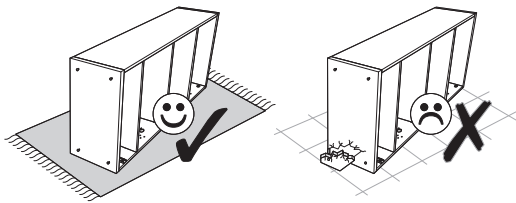
2 ▶



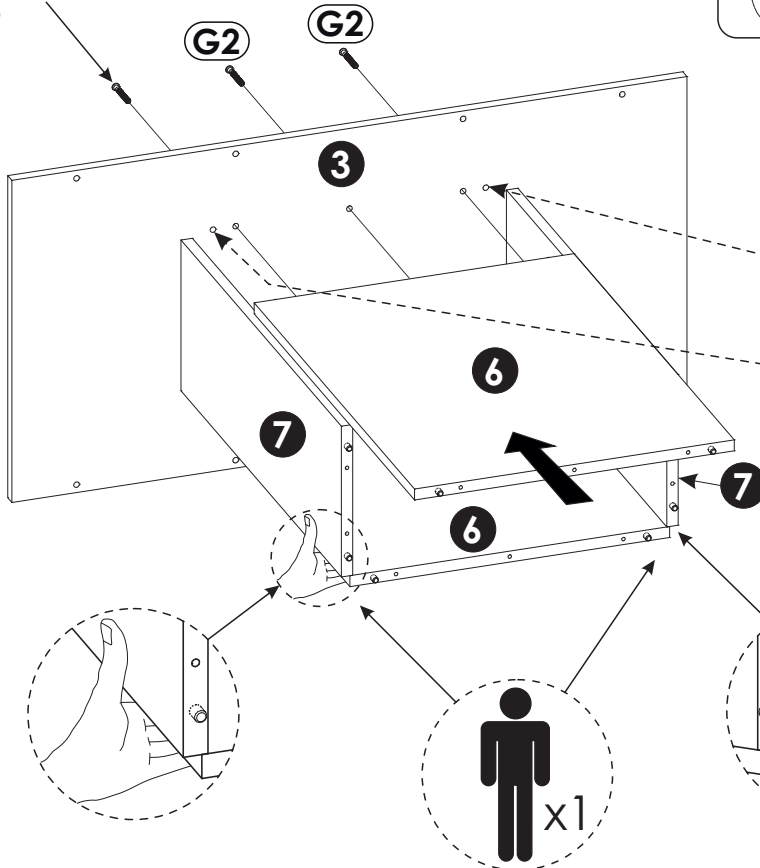
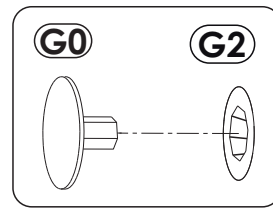
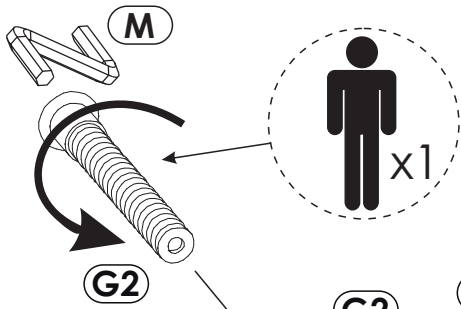
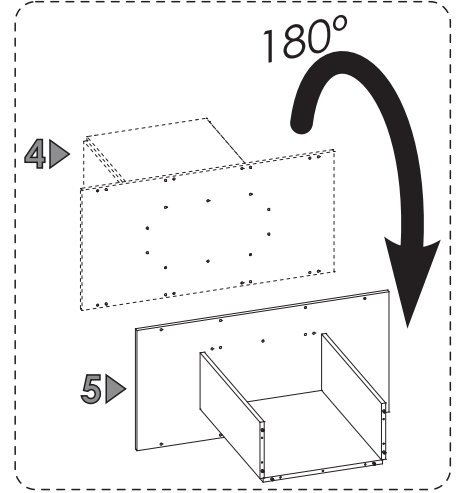
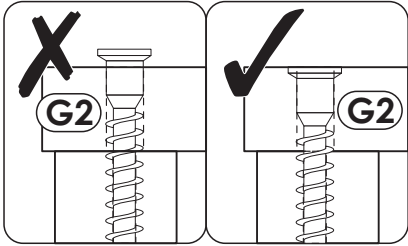
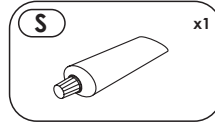
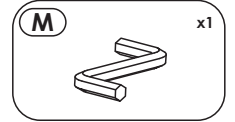
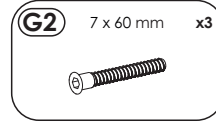
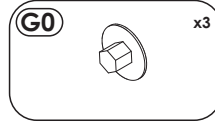
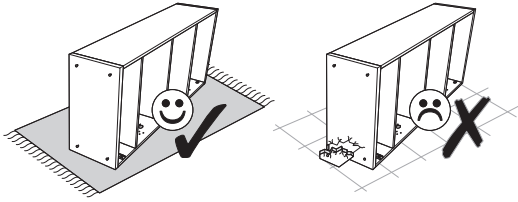
3 ▶



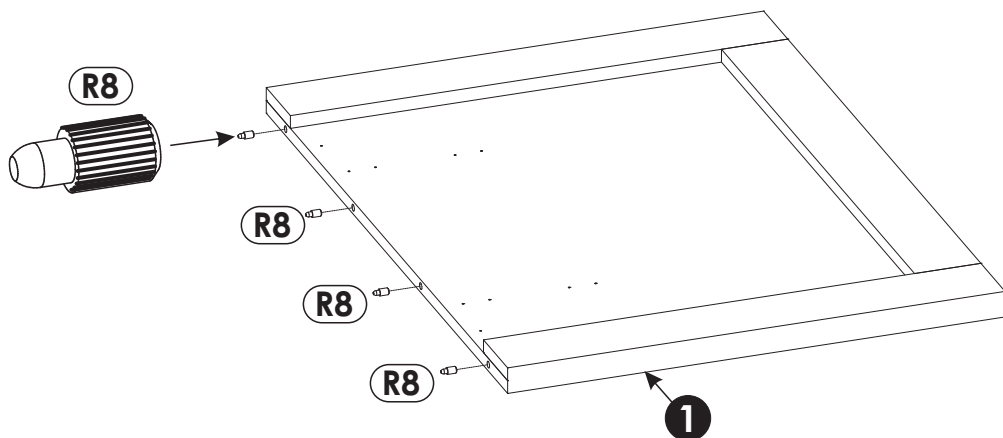
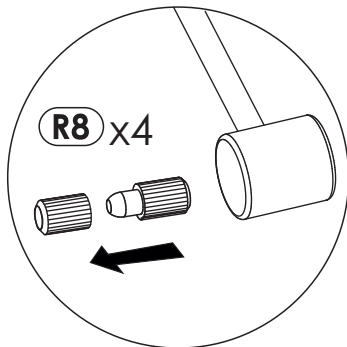
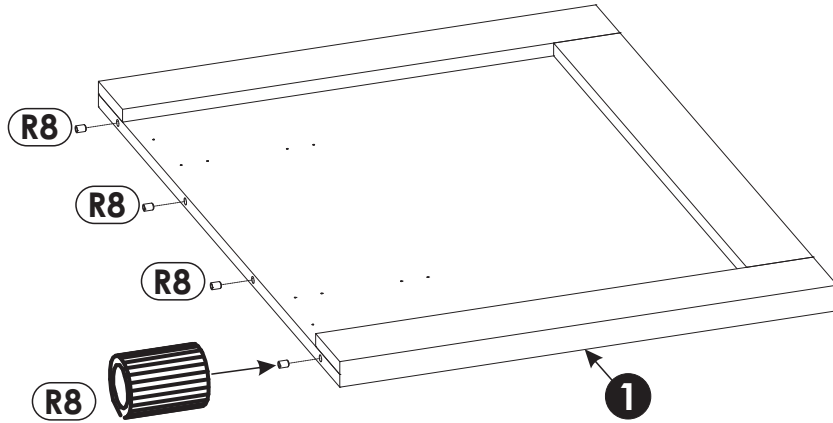
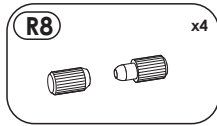
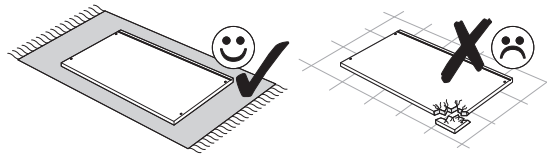
4 ▶



5

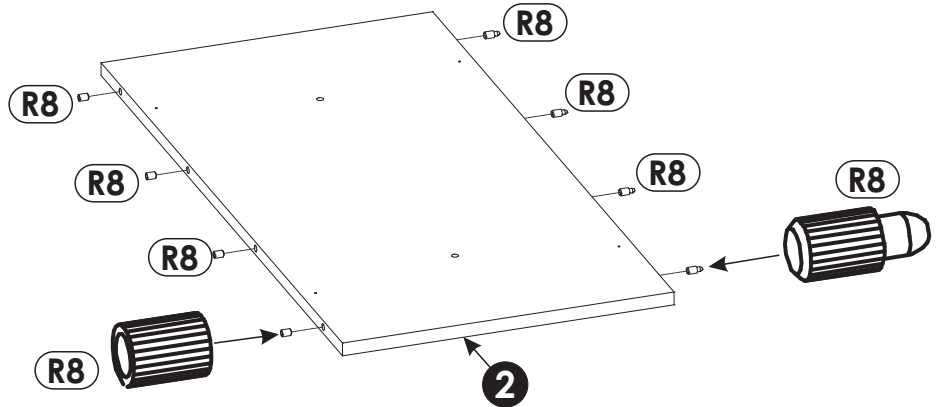
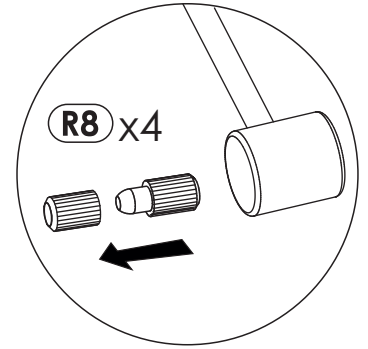
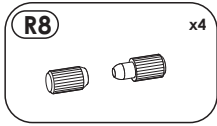
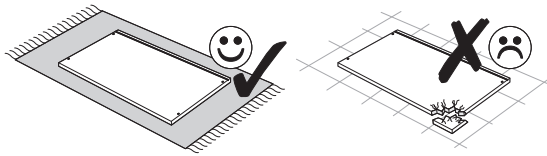


6 ▶

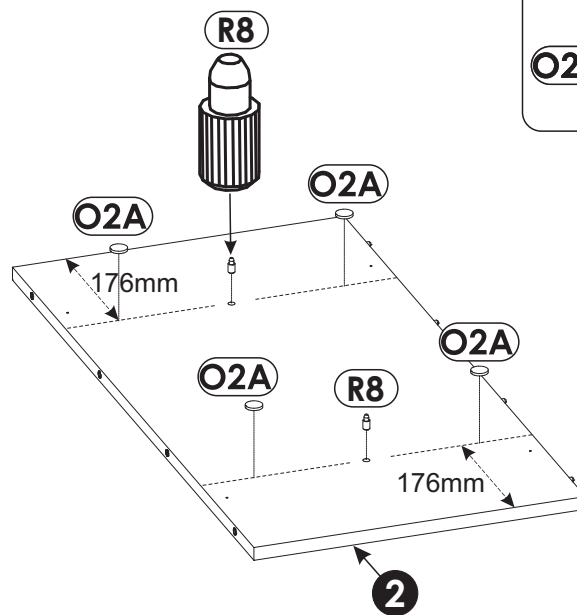
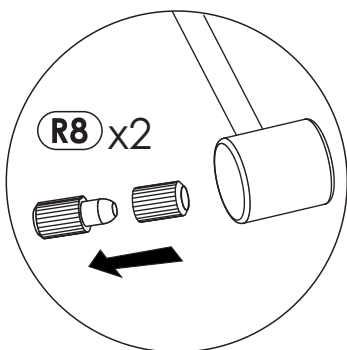
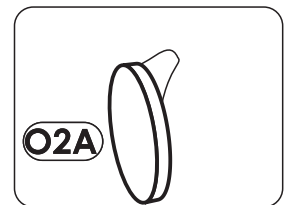
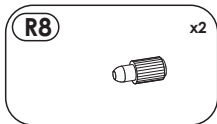
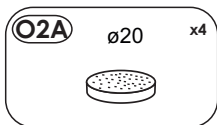
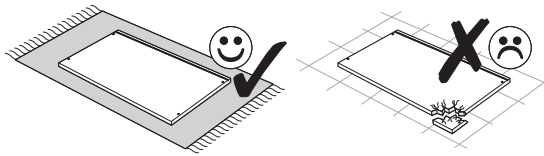




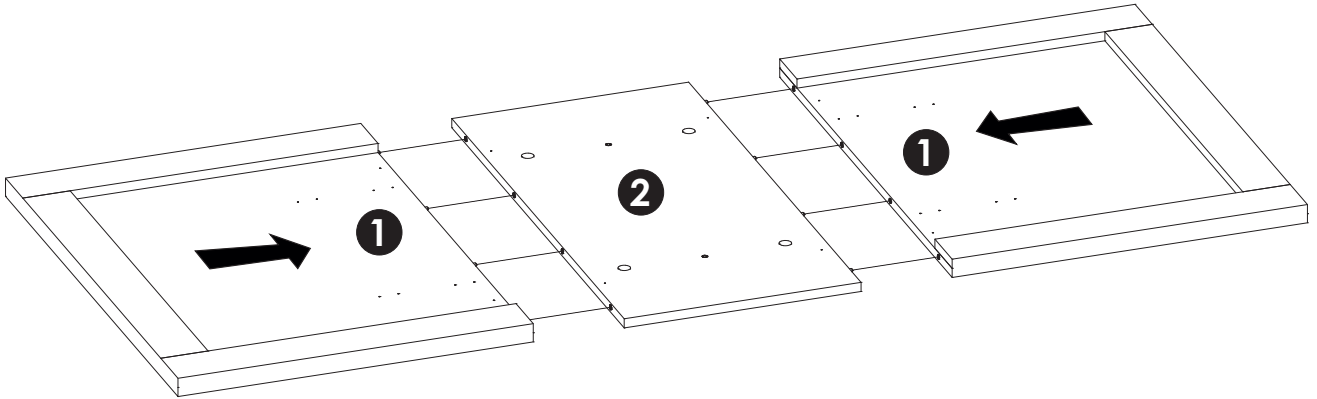
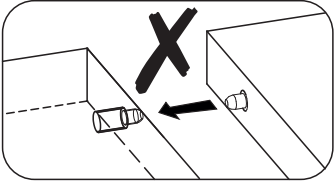
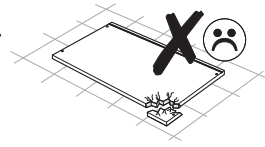
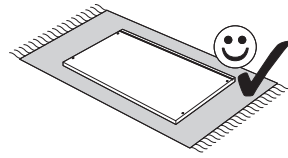
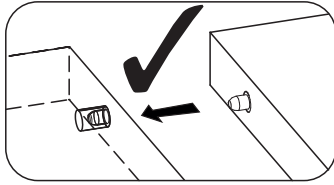
7 ▶



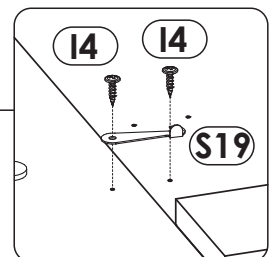
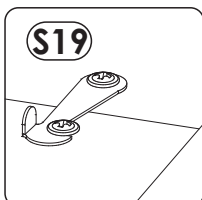
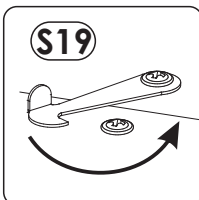
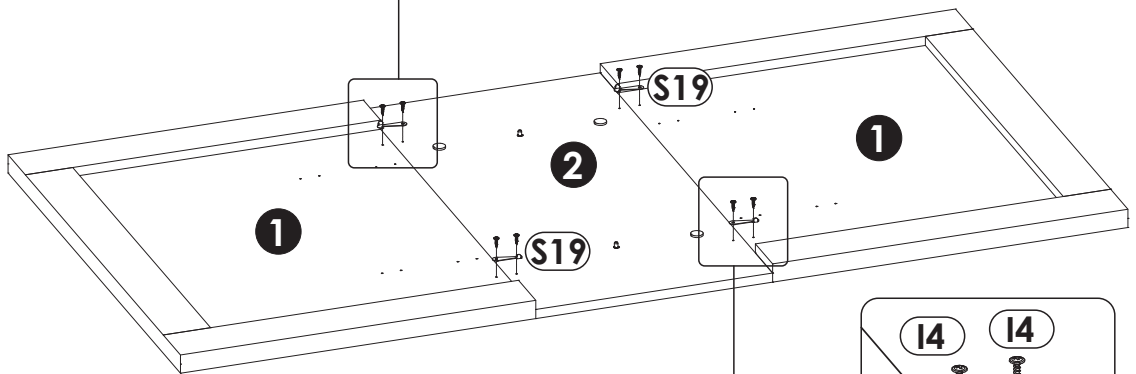
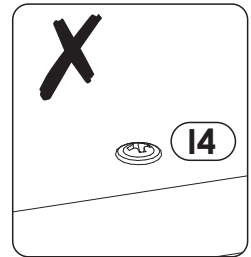
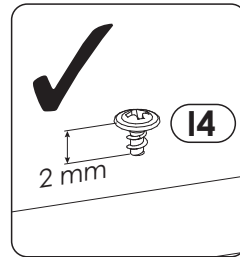
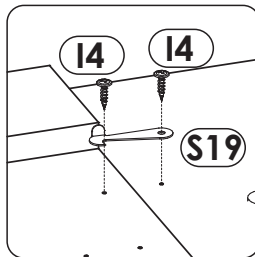
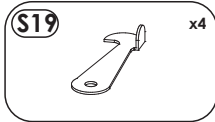
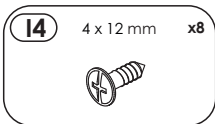
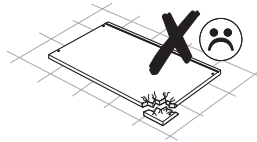
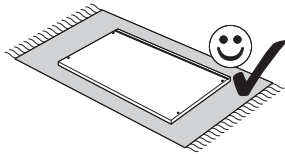
8 ▶



9 ▶




10 ▶




# 11 ▶


**A1** 8 x 35 mm x8




**I3** 4 x 20 mm x4



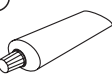
**O2A** ø20 x4




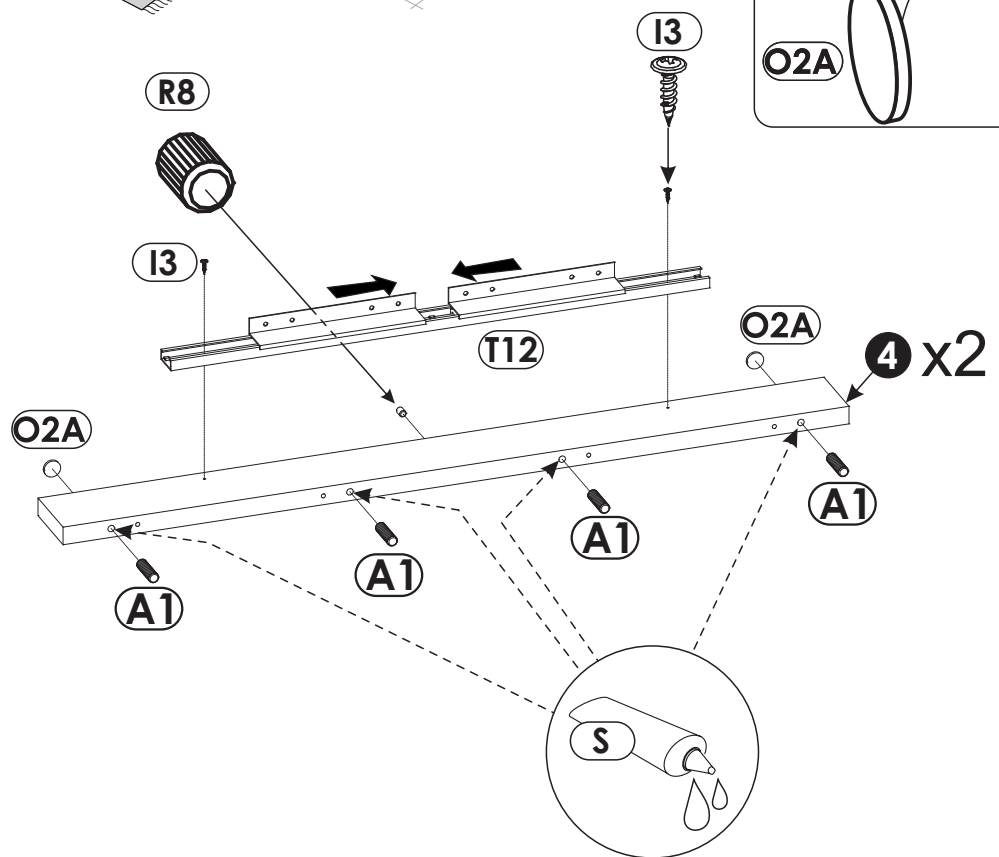
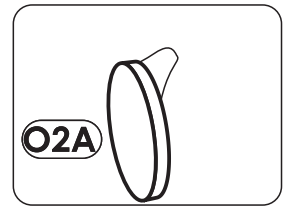
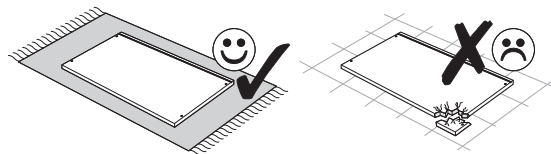
**R8** x2



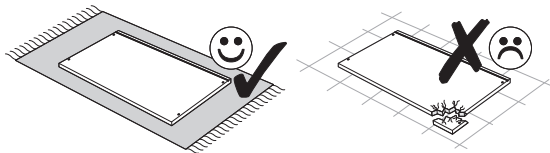
**S** x1




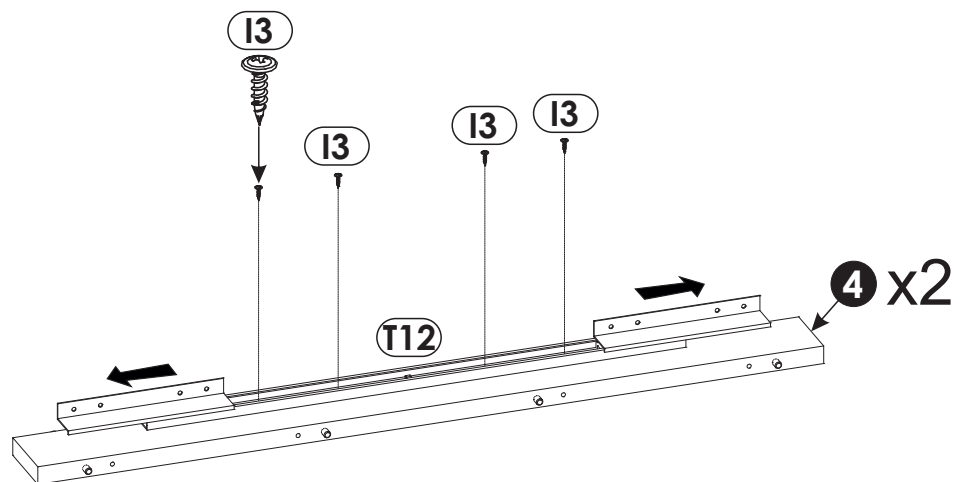
**T12** x2

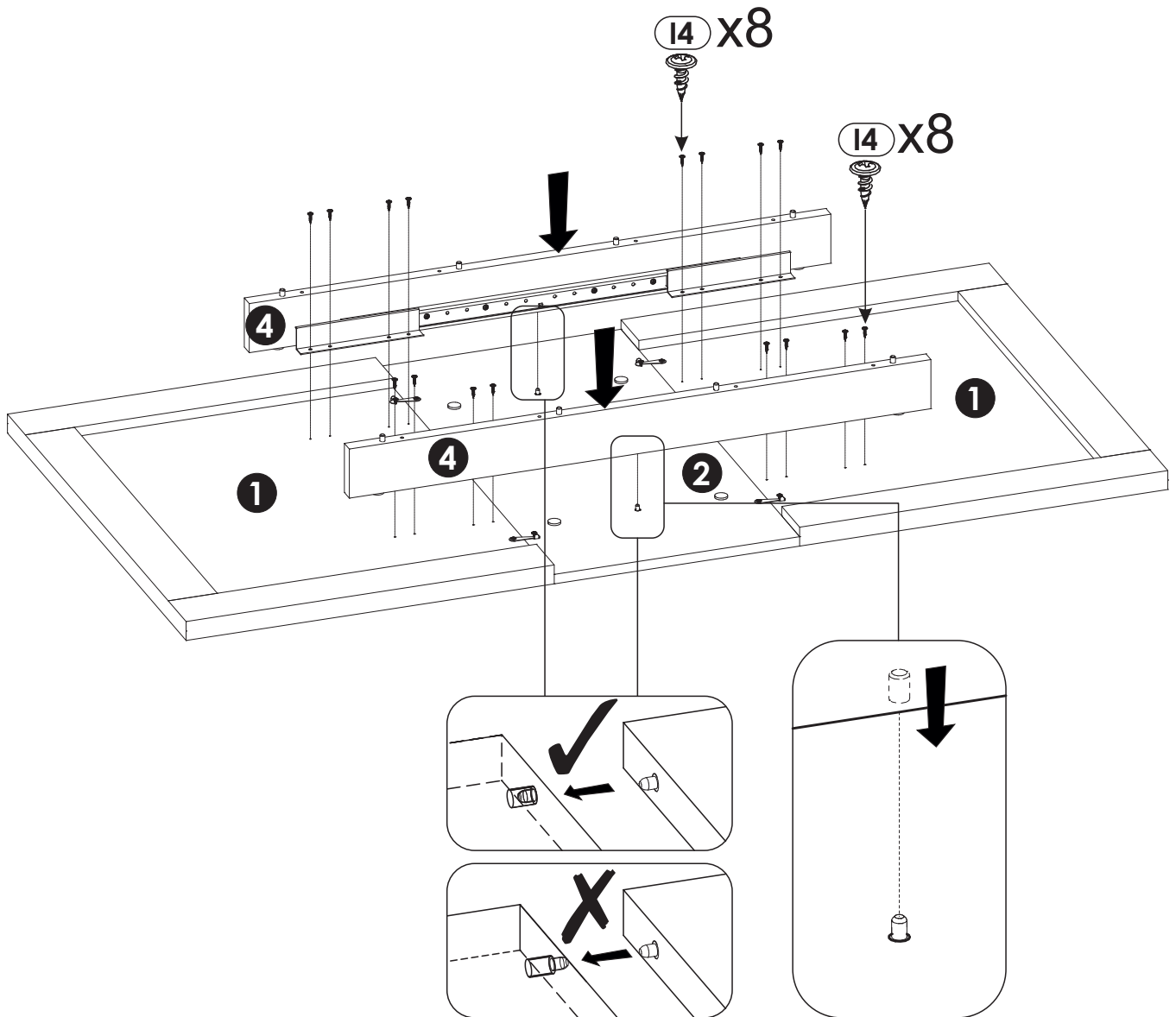
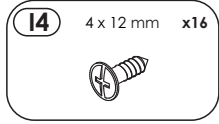
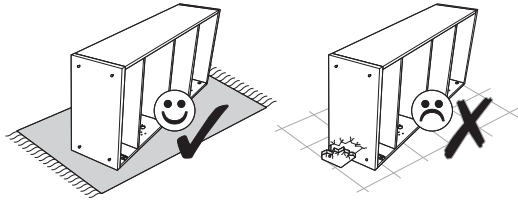
# 12 ▶



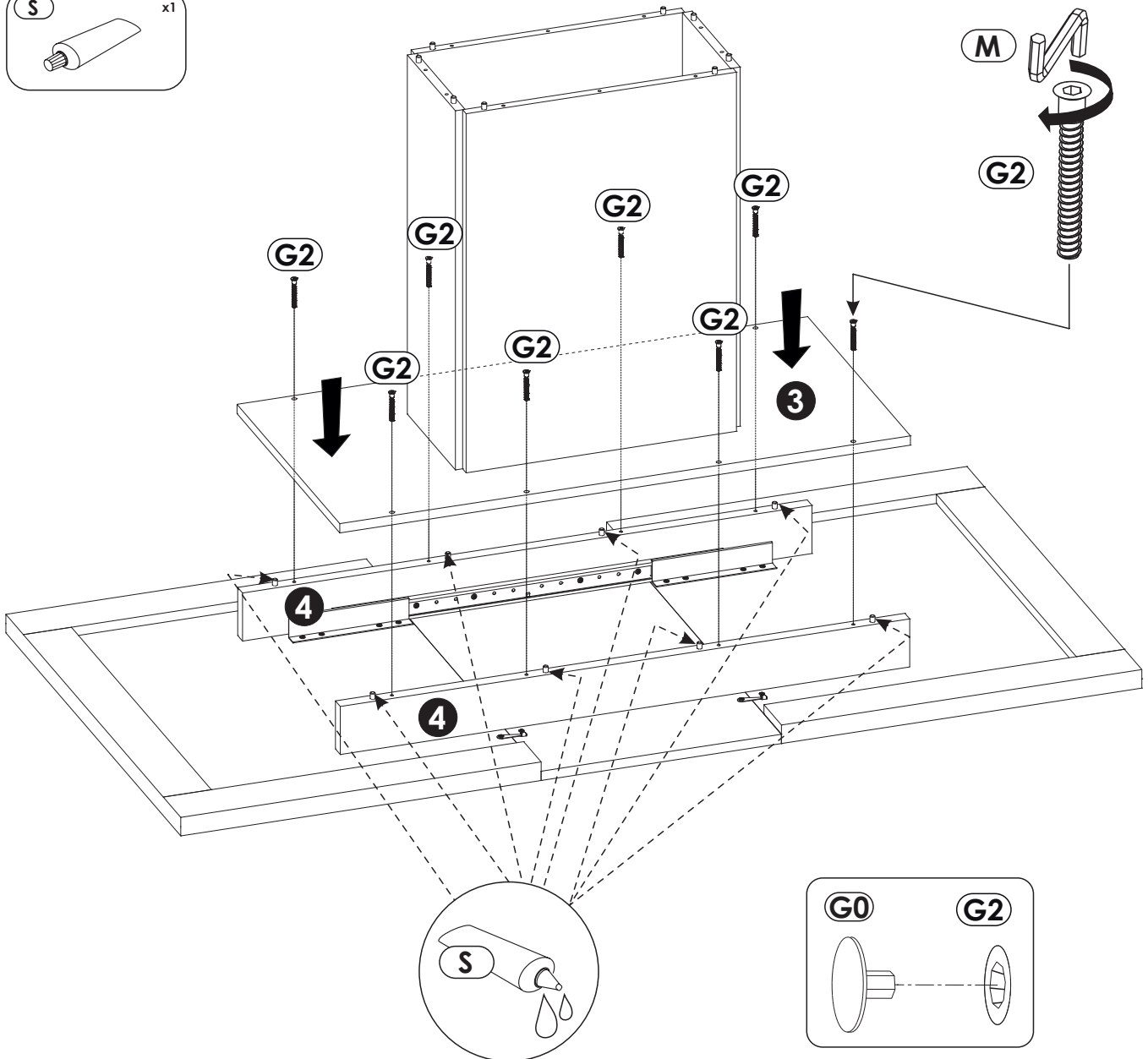
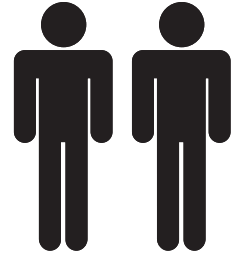
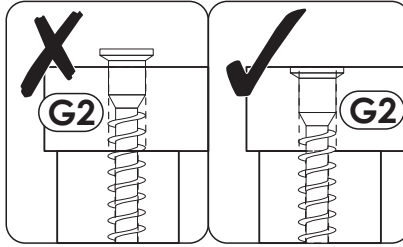
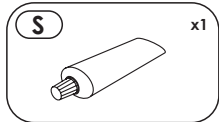
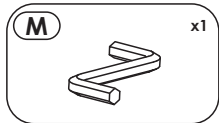
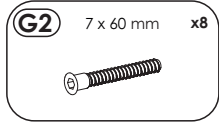
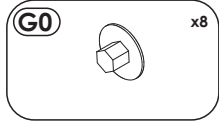
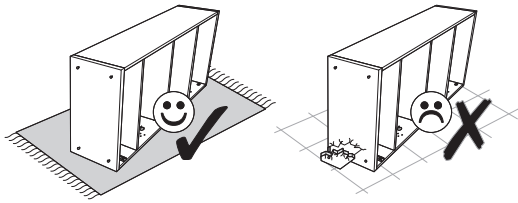
**I3** 4 x 20 mm x8

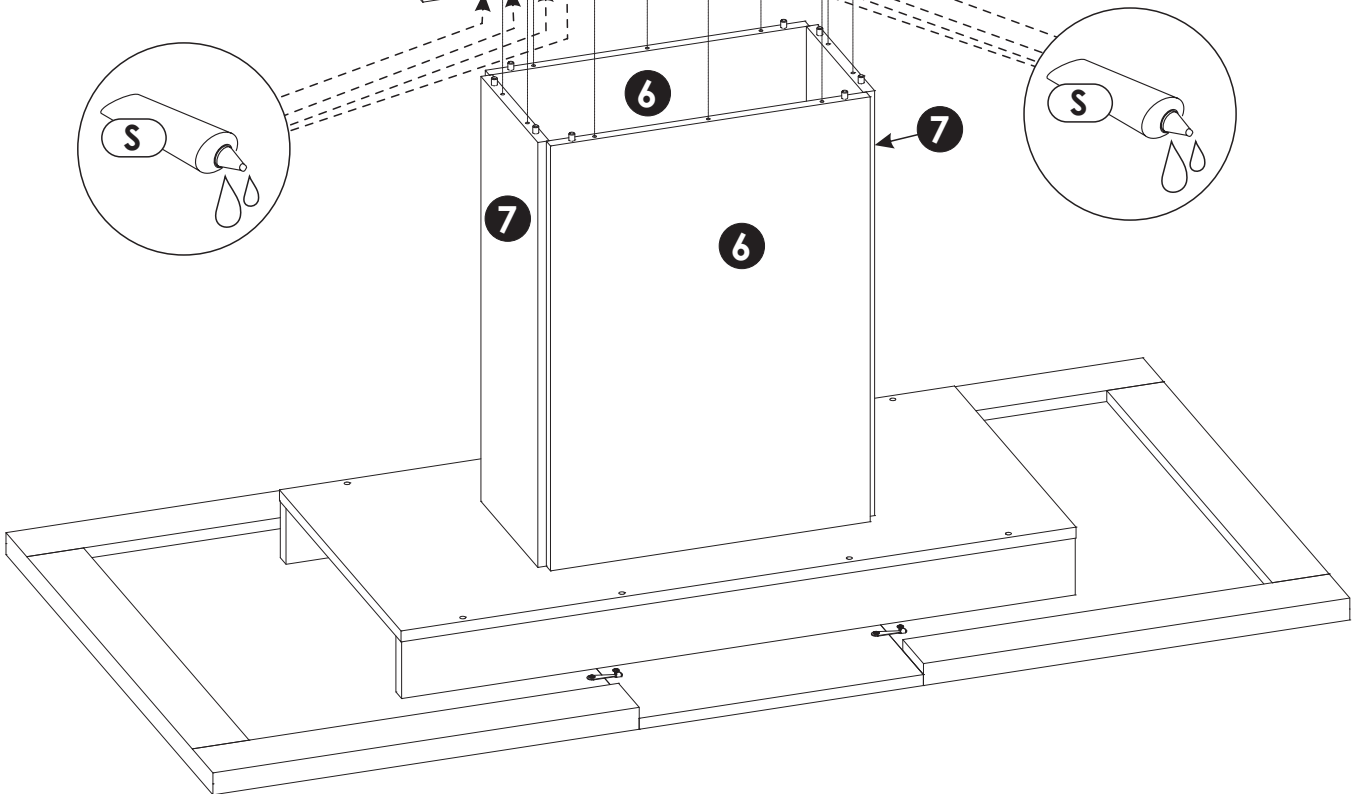
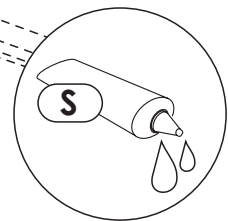
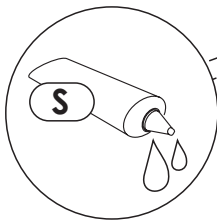
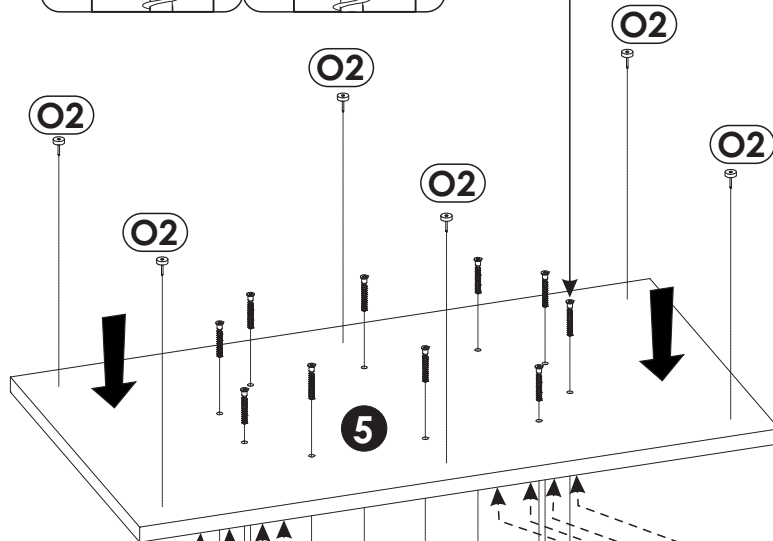
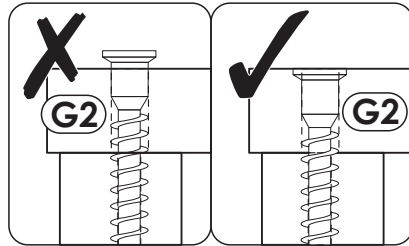
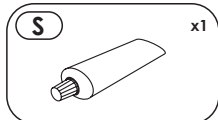
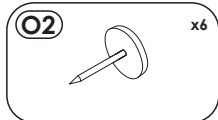
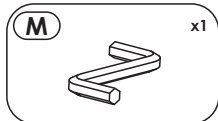
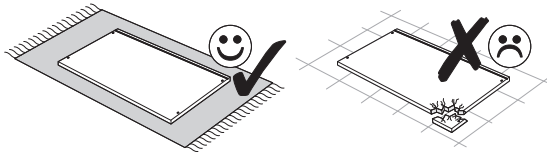
13 ▶



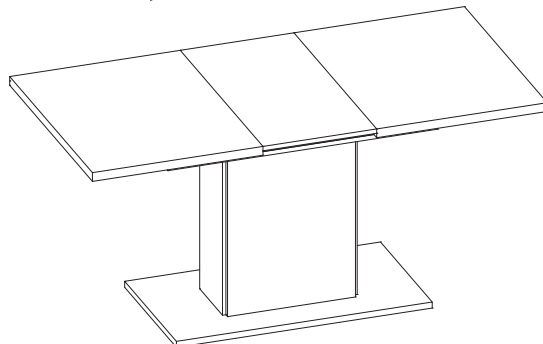
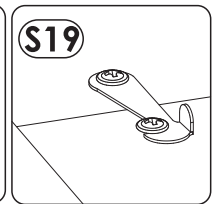
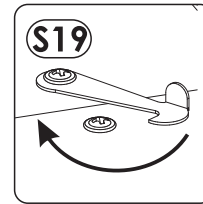
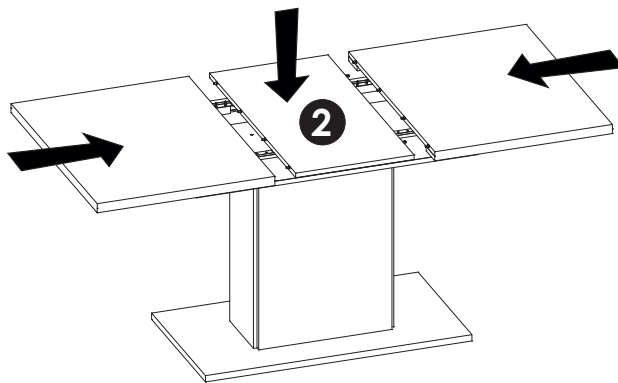
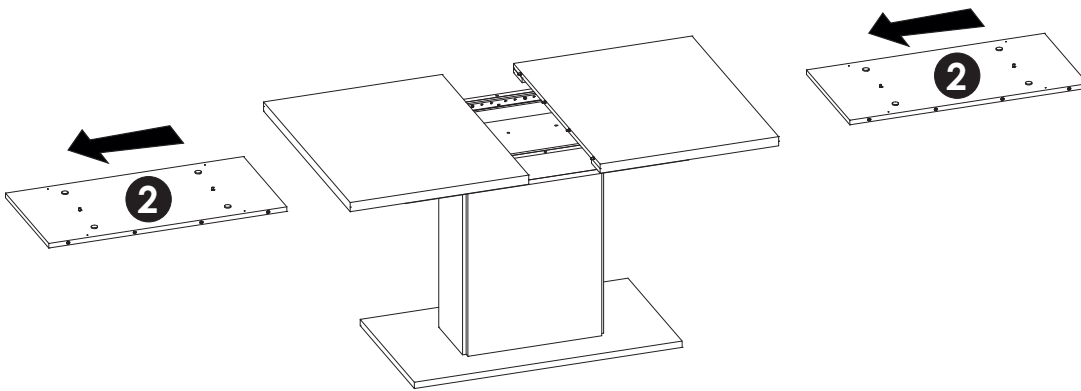
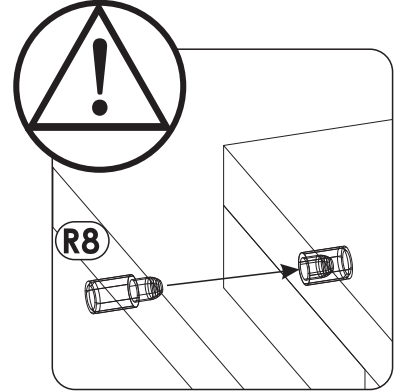
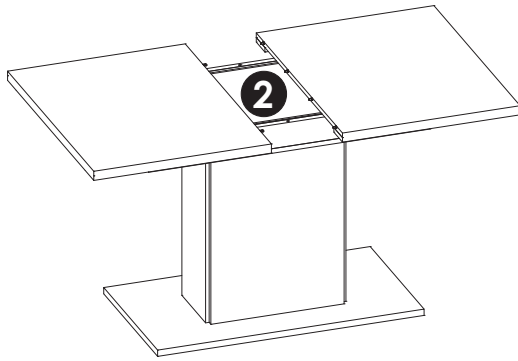
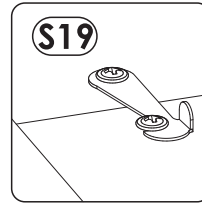
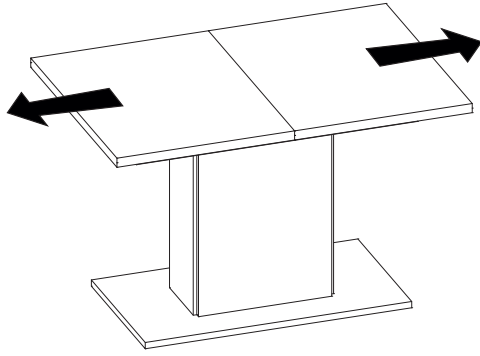
14 ▶



15 ▶



16▶



17▶

