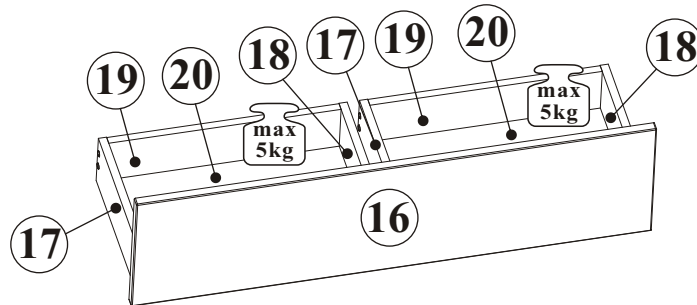
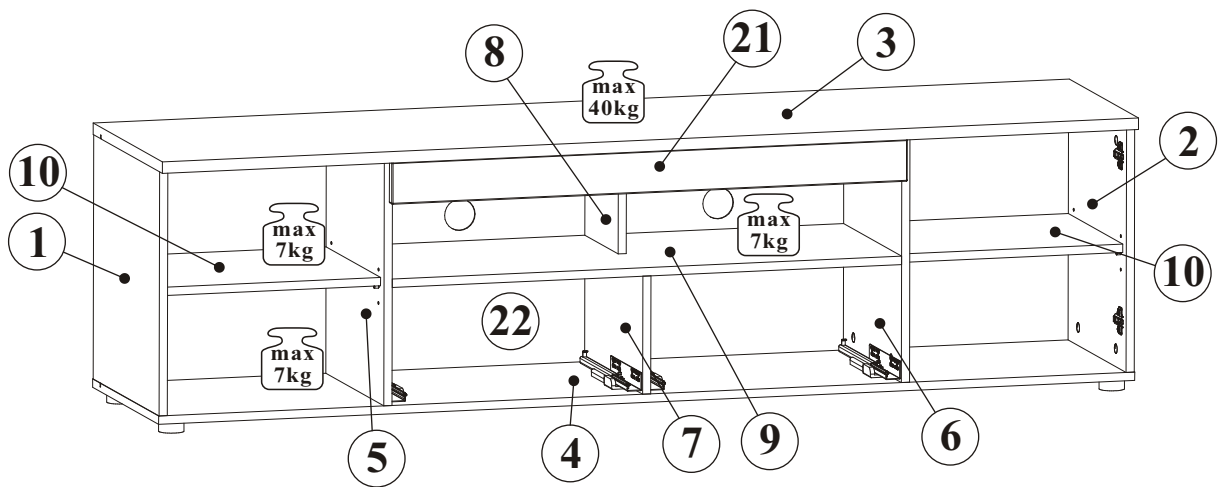
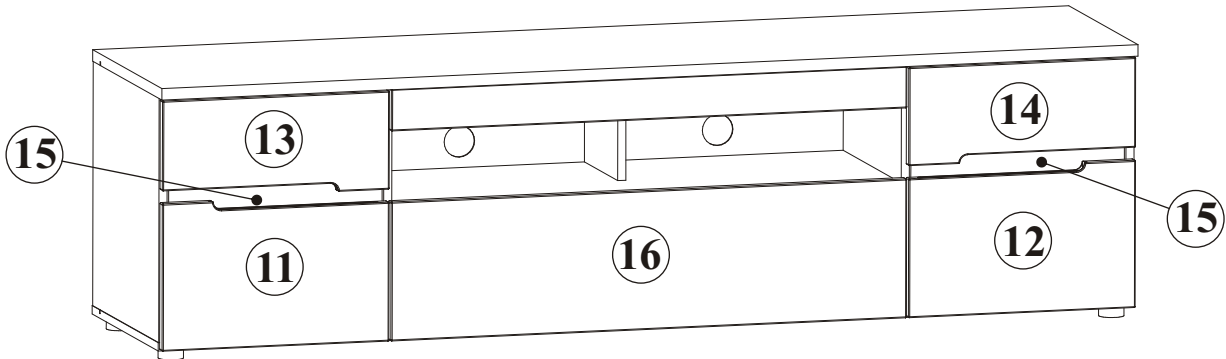
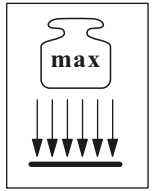
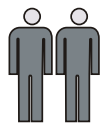


MEMPHIS 1KG6_31

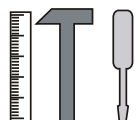


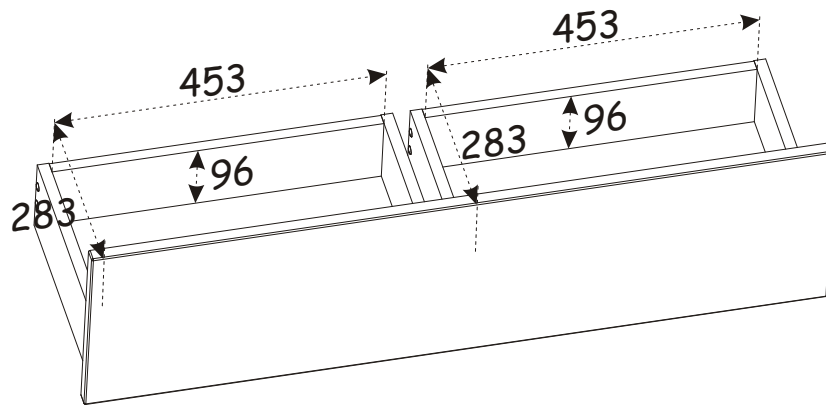
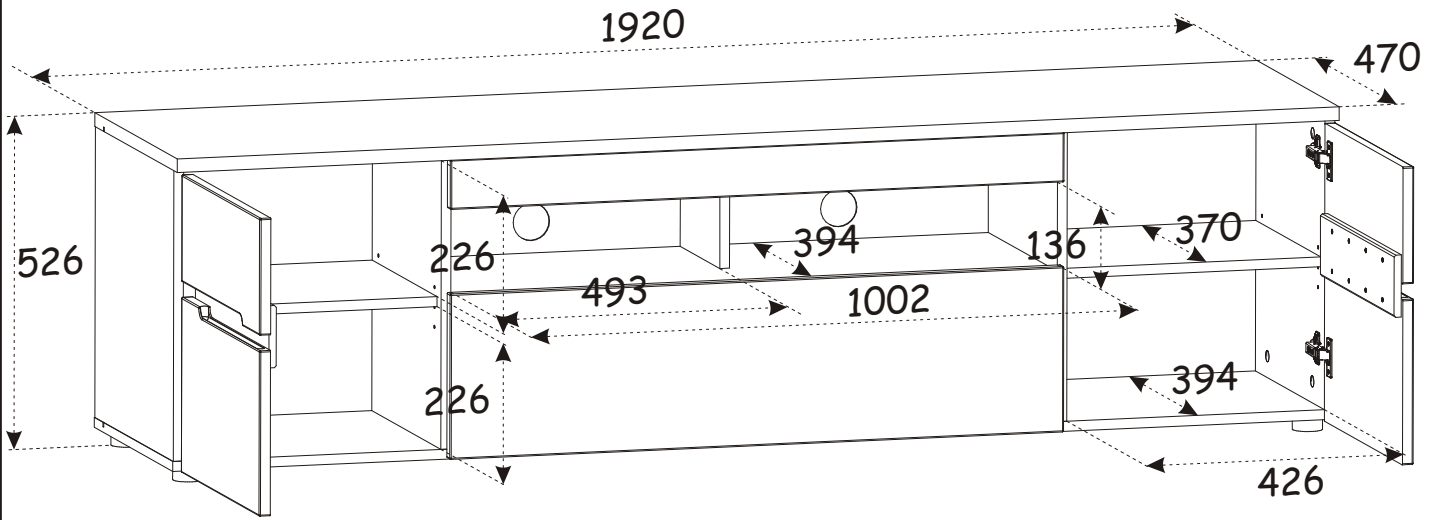
NO	Dim.[mm]			Col.-No	Qty
1	468	448	16	1	1
2	468	448	16	1	1
3	1920	470	22	2	1
4	1920	448	16	2	1
5	468	394	16	1	1
6	468	394	16	1	1
7	226	394	16	1	1
8	226	226	16	1	1
9	1002	394	16	3	1
10	426	370	16	2	2
11	446	282	18	3	1
12	446	282	18	3	1
13	446	188	18	3	1
14	446	188	18	3	1

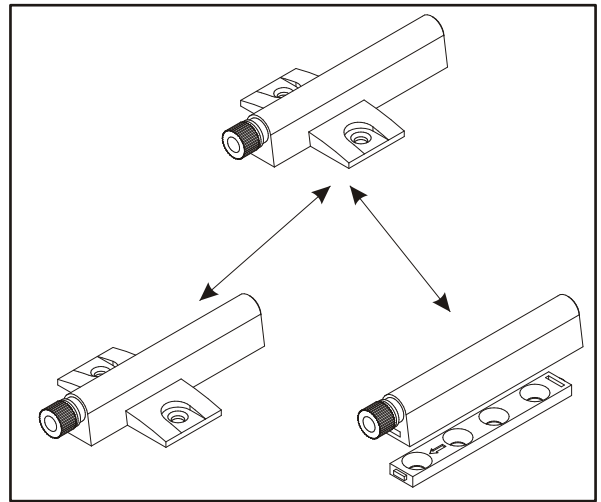
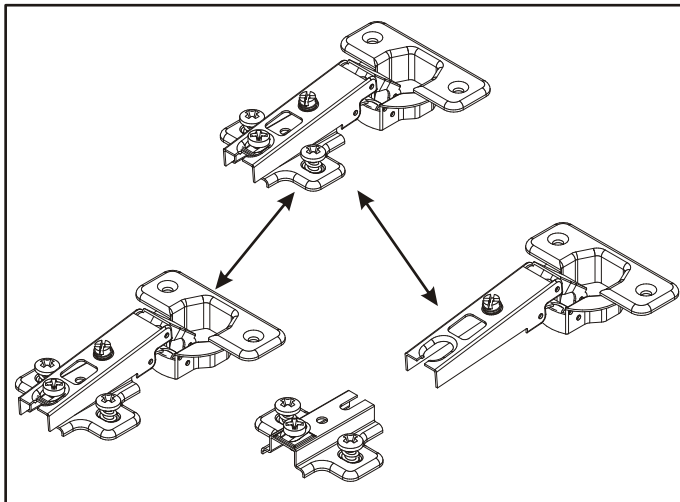
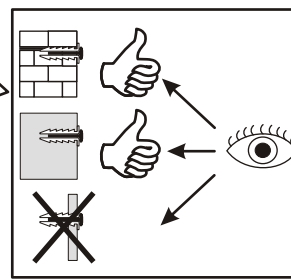
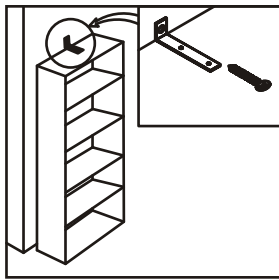
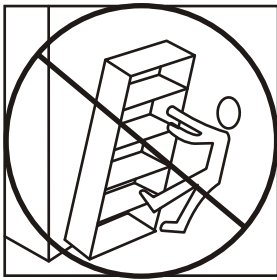
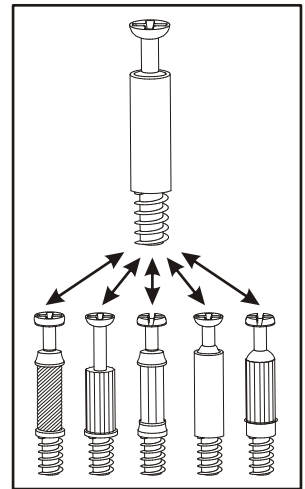
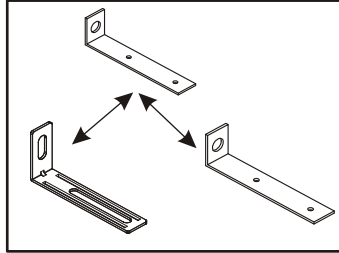
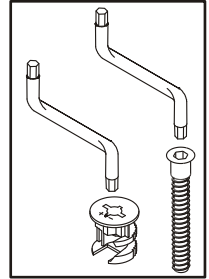
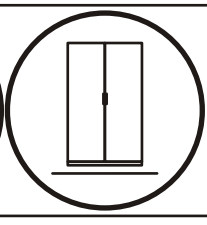
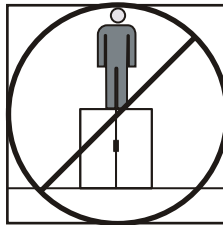
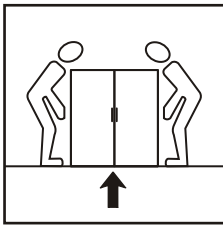
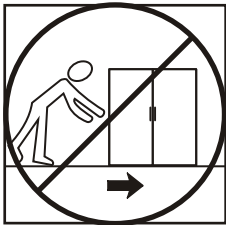
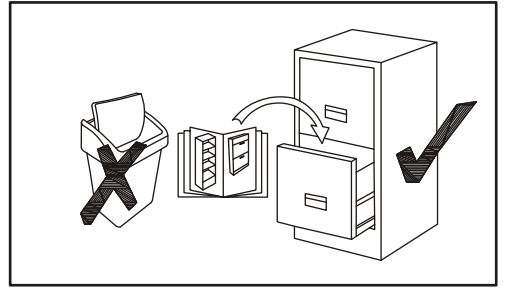
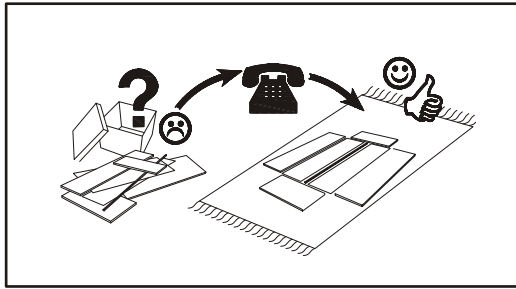
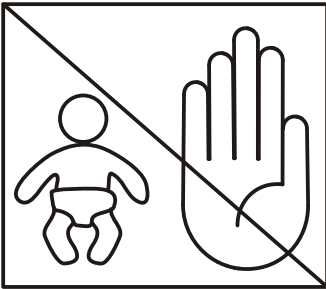
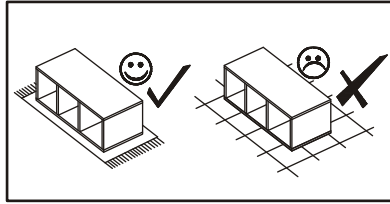
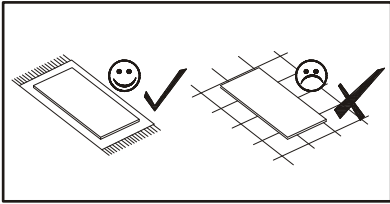
NO	Dim.[mm]			Col.-No	Qty
15	420	100	12	1	2
16	1014	266	18	3	1
17	300	110	16	1	2
18	300	110	16	1	2
19	453	96	16	1	2
20	304	465	3	1	2
21	1014	80	18	3	1
22	1898	480	3	2	1



180 min

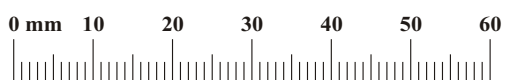
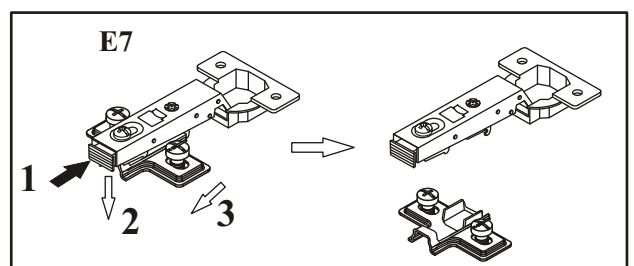
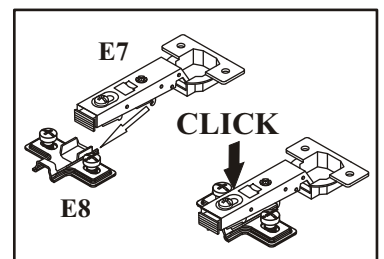






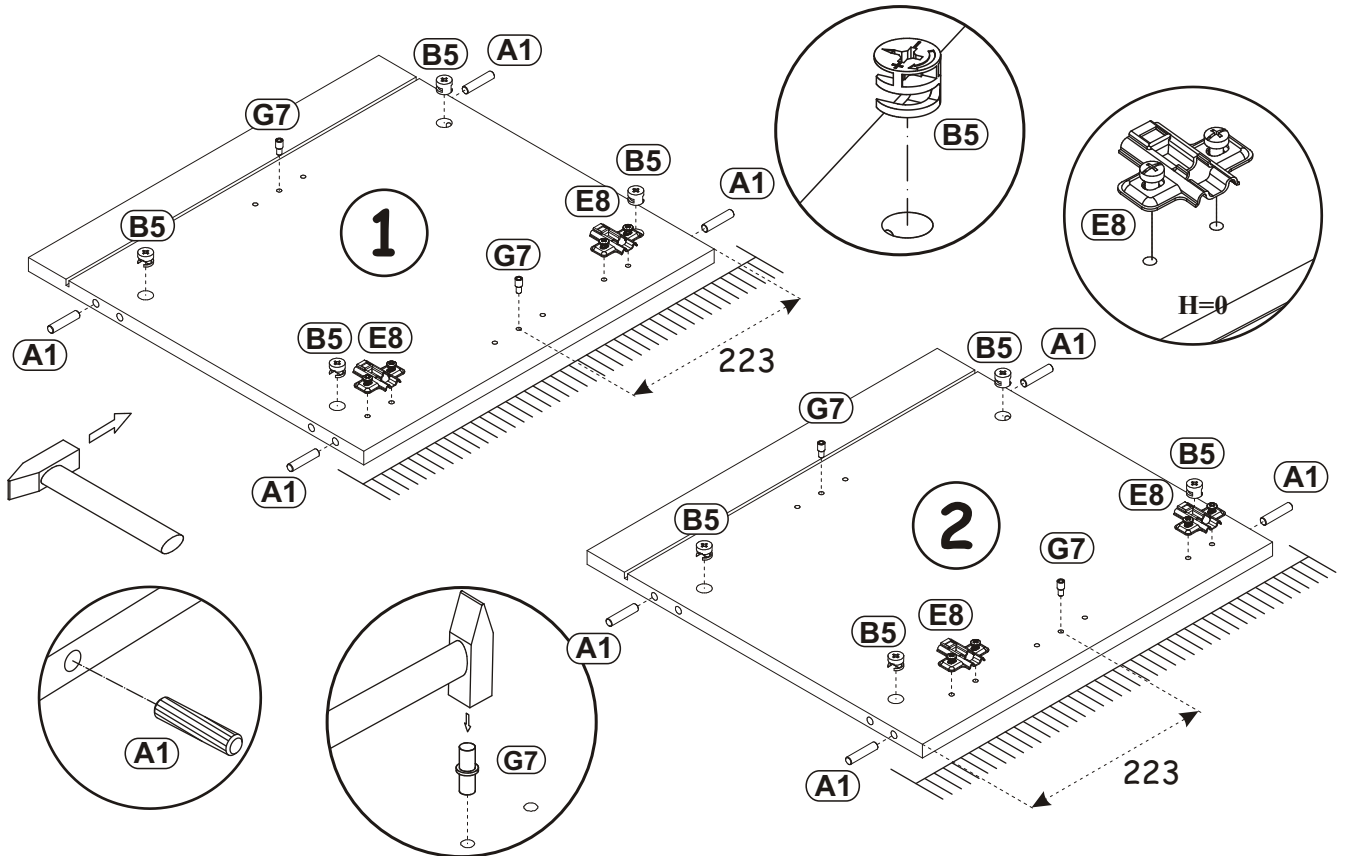
MEMPHIS 1KG6_31

A1 x34 ø8x36	B4 x35	B5 x35 ø15x12	G5 x29	B11 X8 Ø7x50	G4 x8
E7 x4 Ø35 H=0	E8 x4 H=0	QU x2 L-300	I18 x7 Ø48, h=20	G7 x8	S1 x22
D20 x8 ESØ6,3x9,5	D10 x20 USØ3,5x13	UP13 x24 UPØ3x16	UP17 x16 UPØ4x25	KR1 x2	L1 x2
G2 x1					



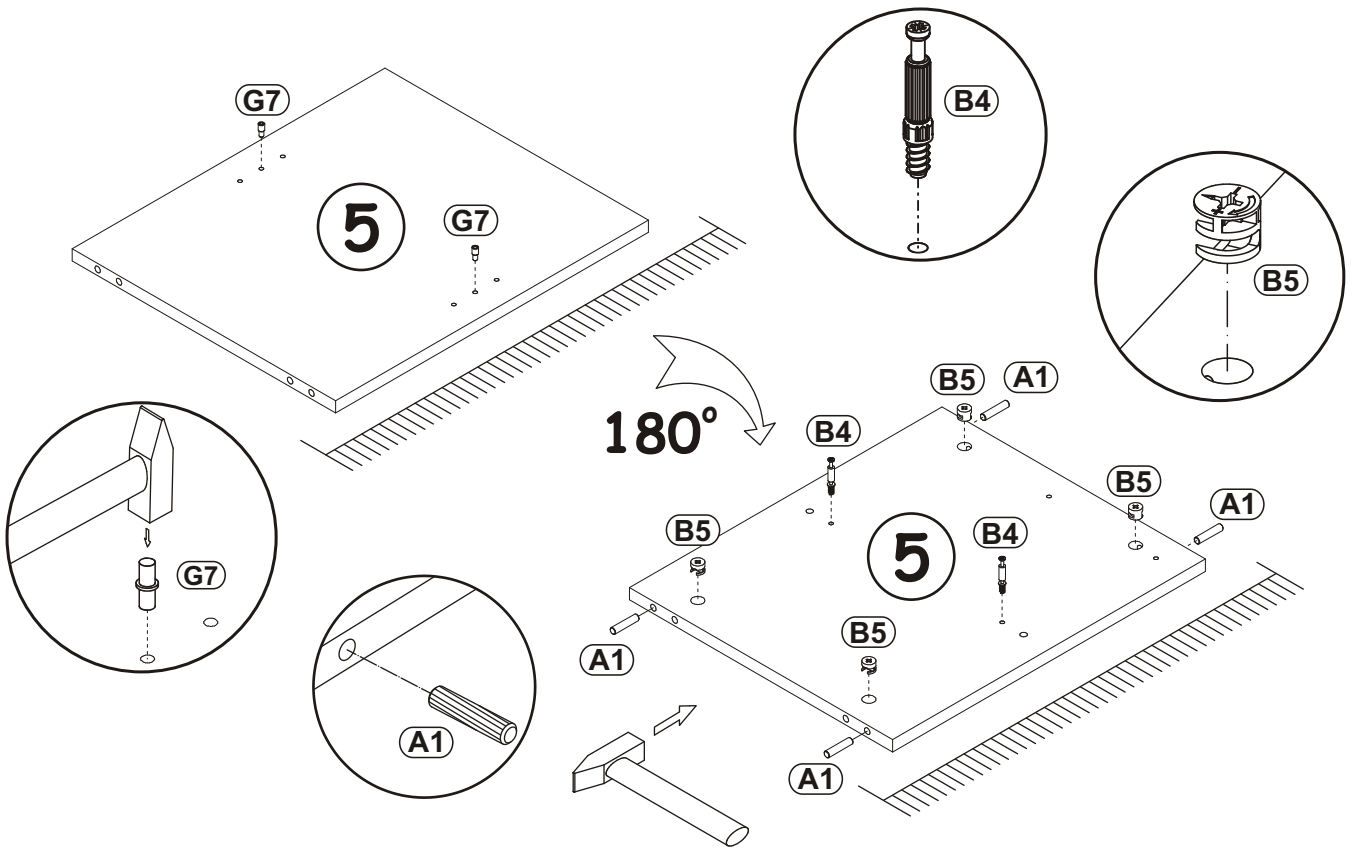
1

G7		A1		B5		E8	
x4		x8	ø8x36	x8	ø15x12	x4	H=0

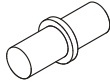
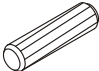

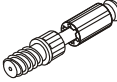


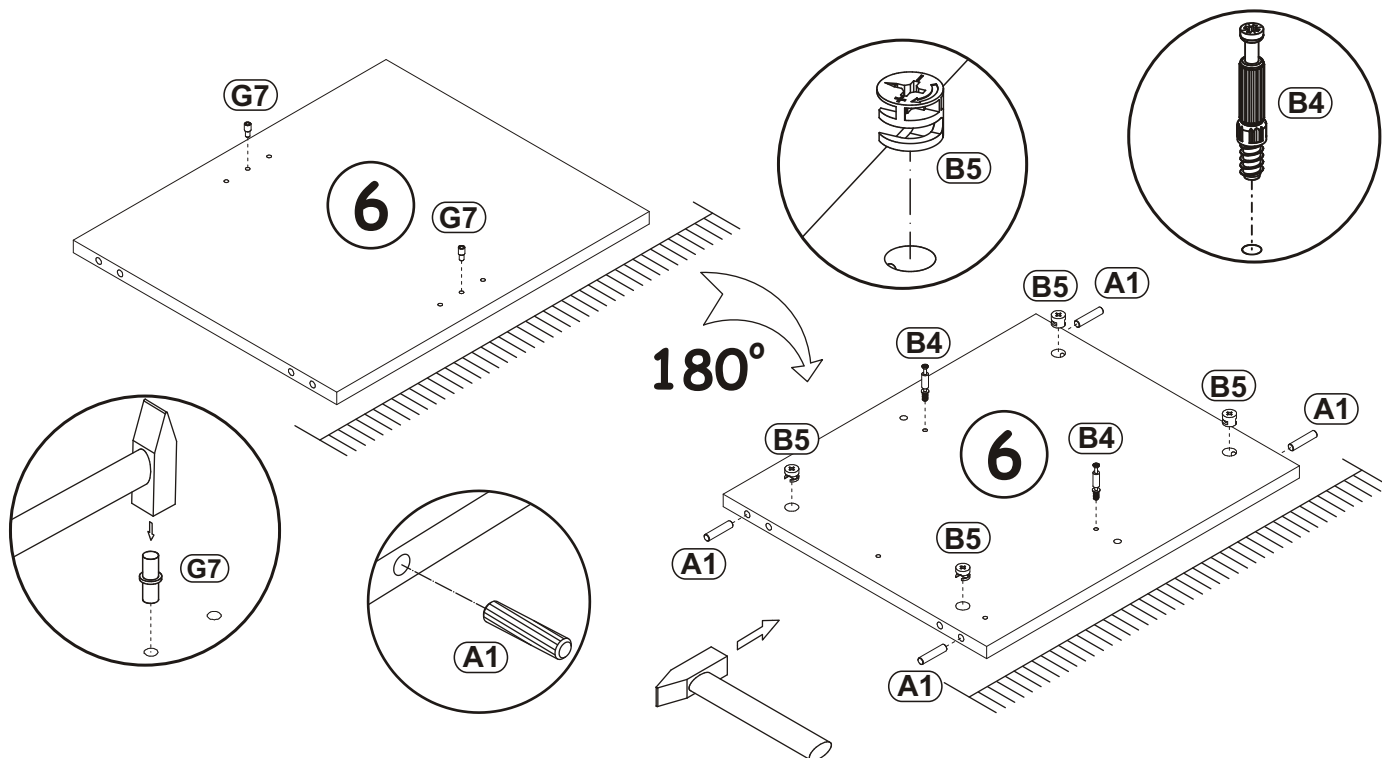
2

A1		G7		B5		B4	
x4	ø8x36	x2		x4	ø15x12	x2	

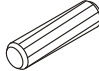



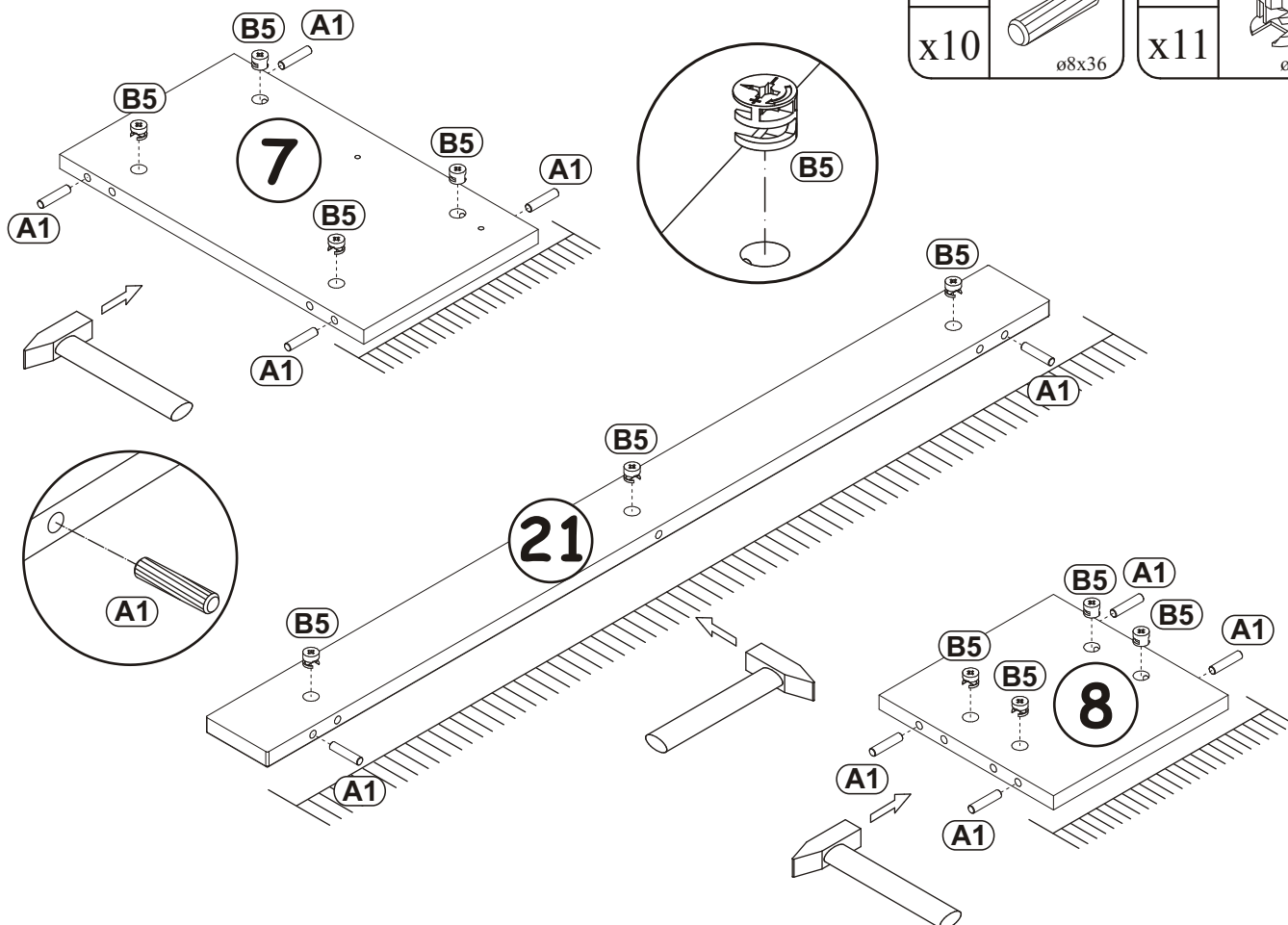
3

G7		A1		B5		B4	
x2		x4	ø8x36	x4	ø15x12	x2	

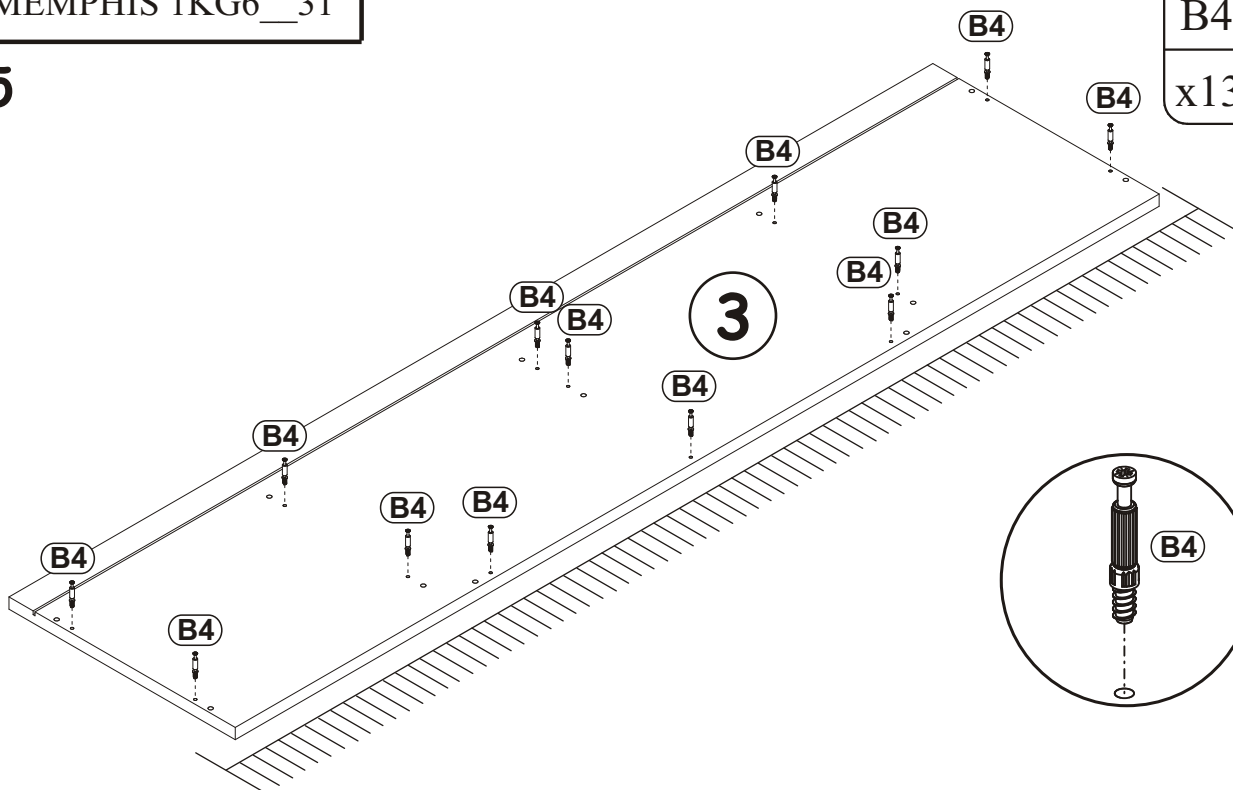


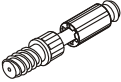
4

A1		B5	
x10	ø8x36	x11	ø15x12

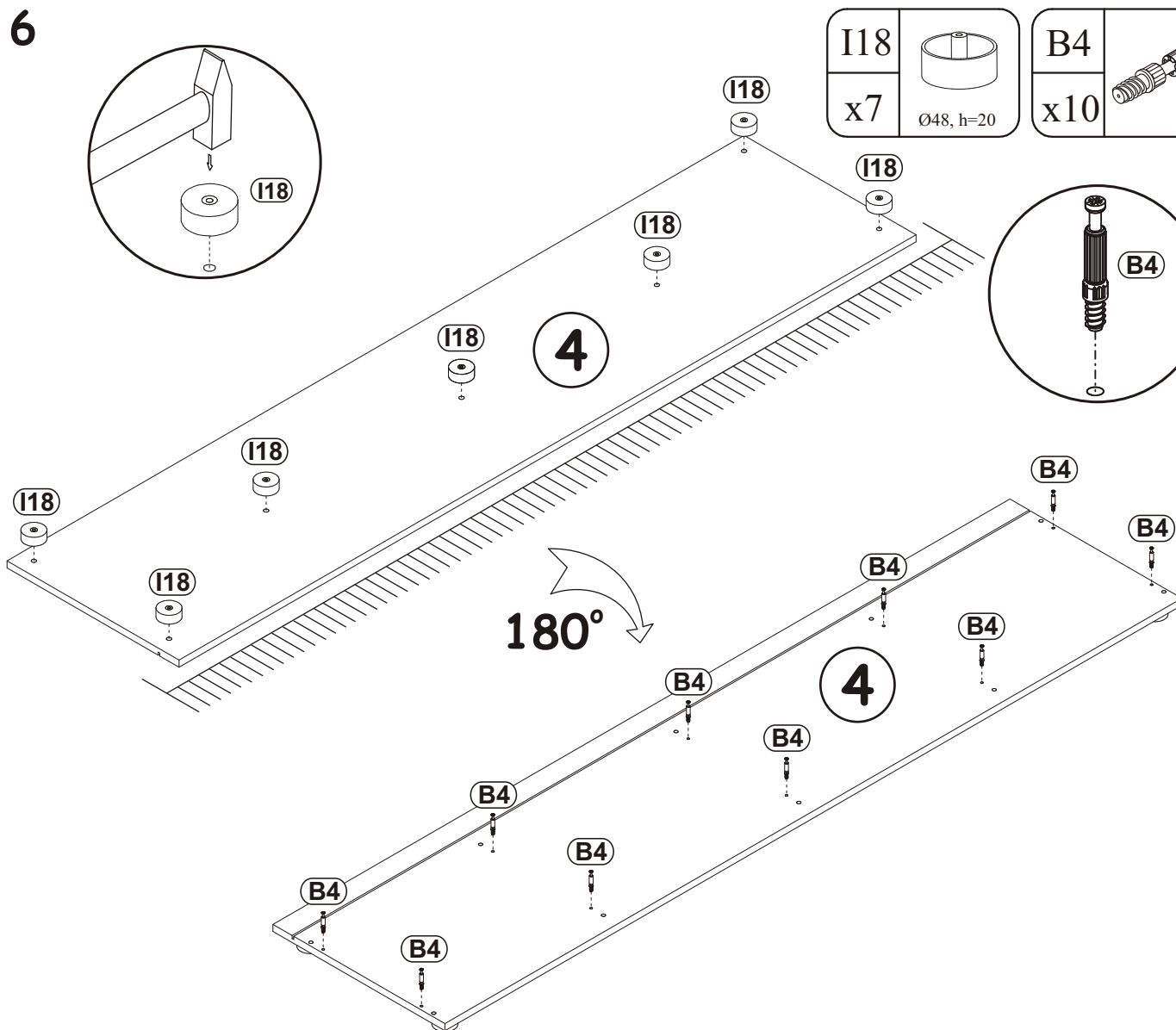


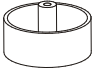
5

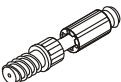


B4	
x13	

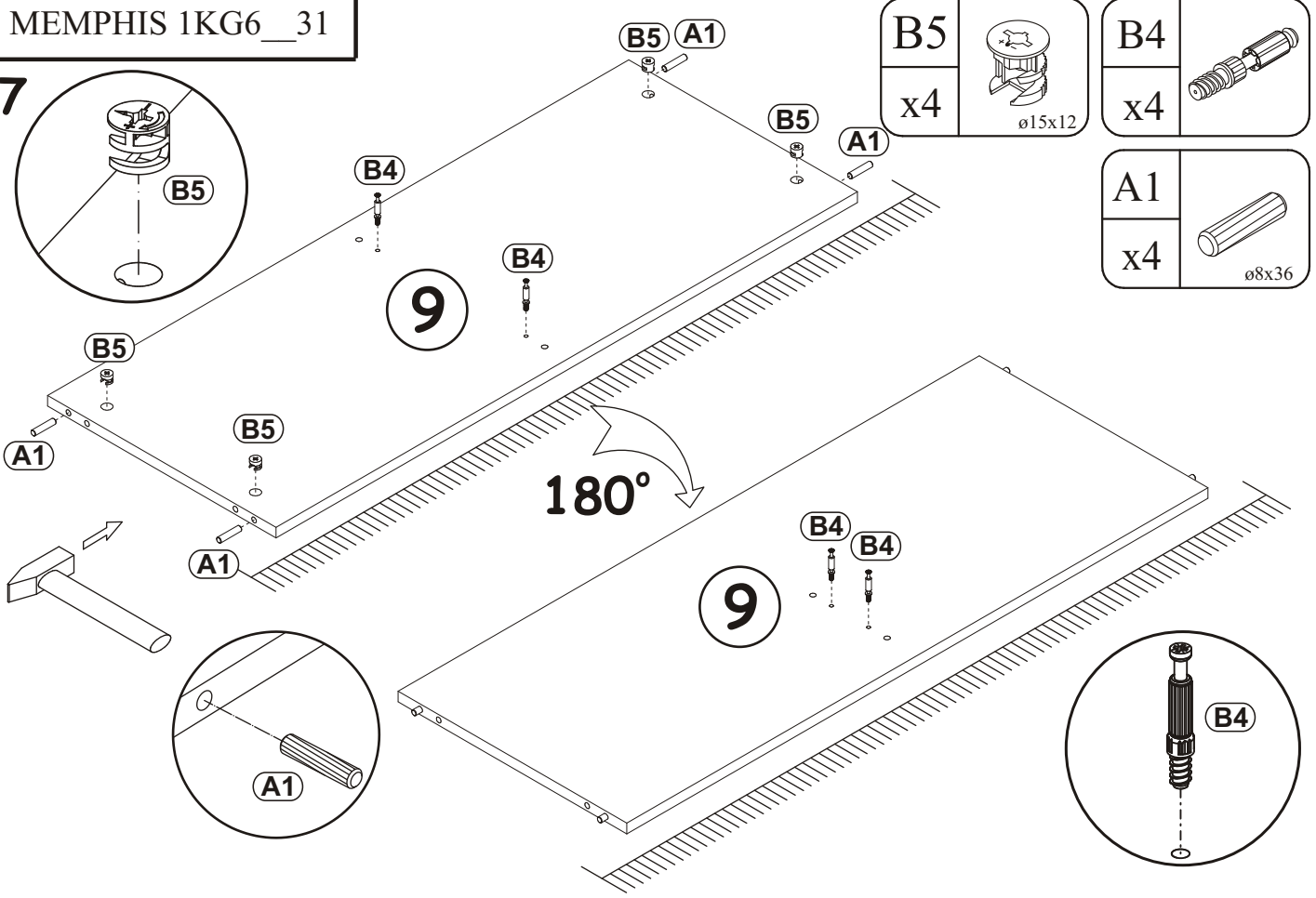
6



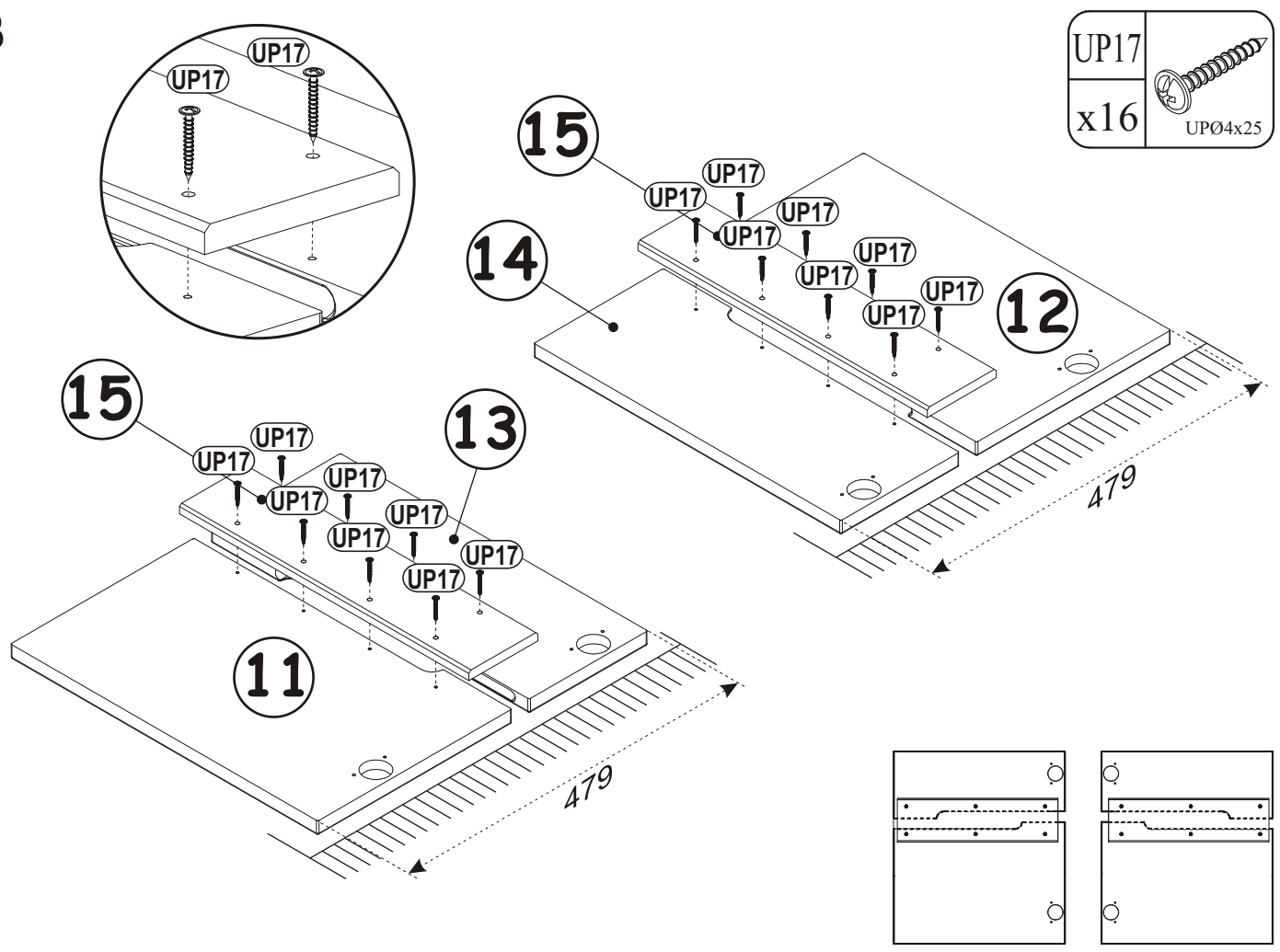
I18	
x7	Ø48, h=20

B4	
x10	

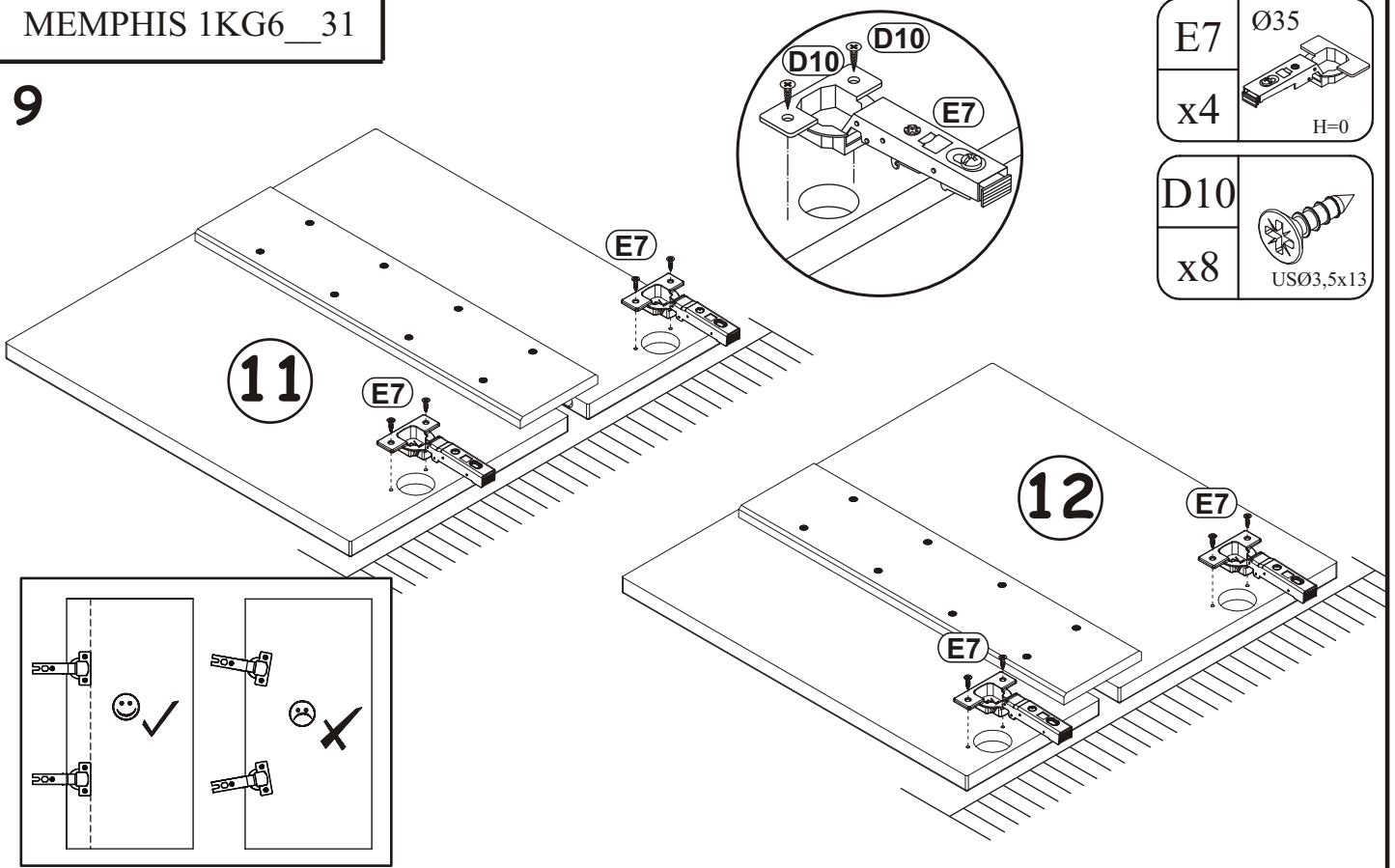
7



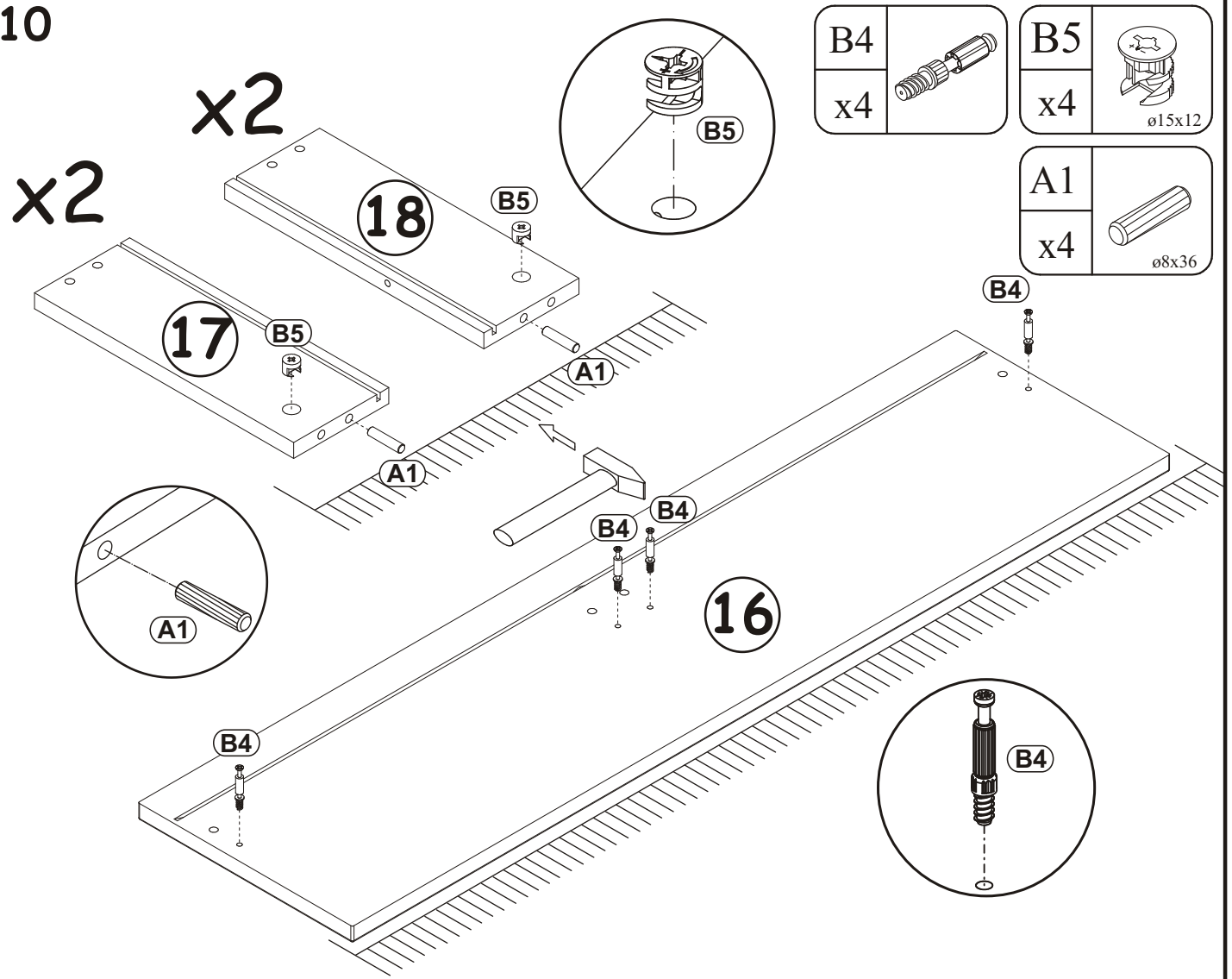
8



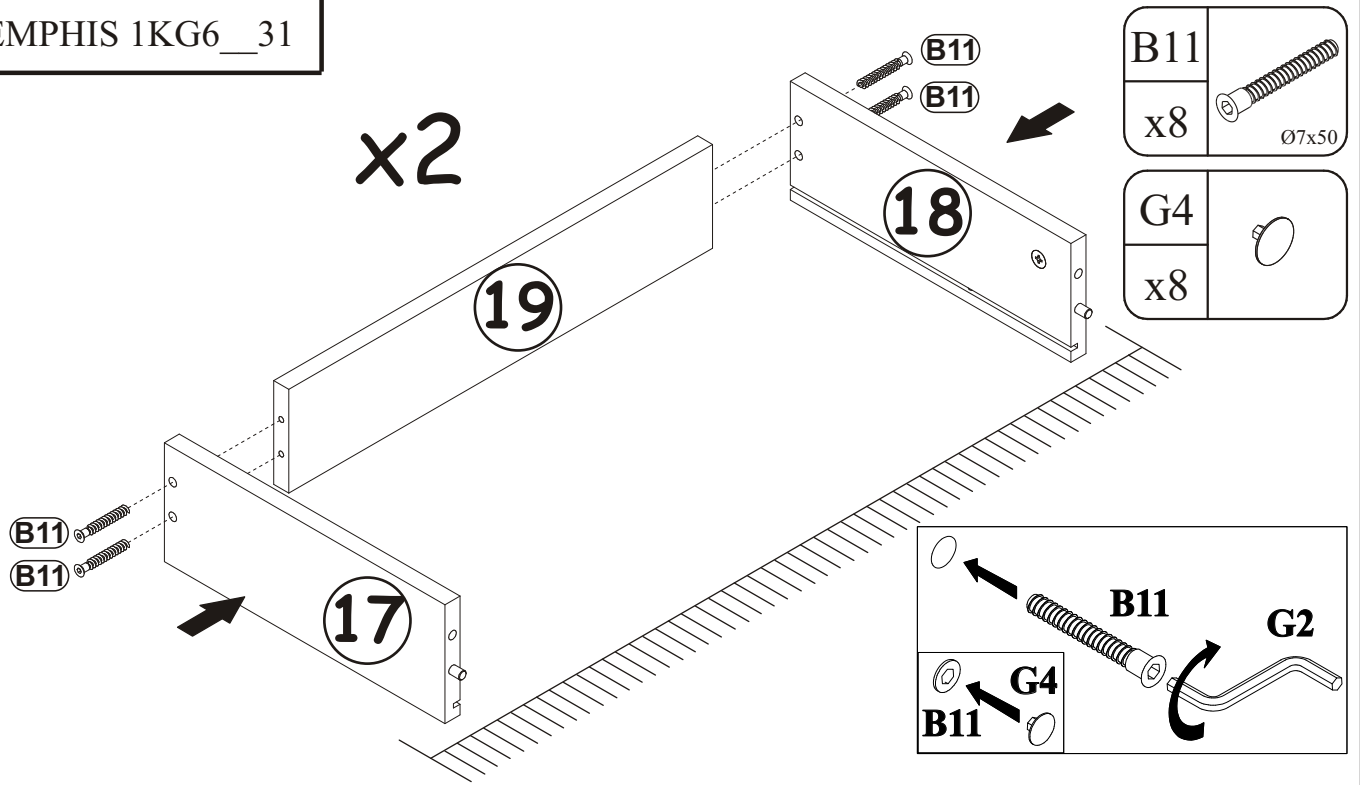
9



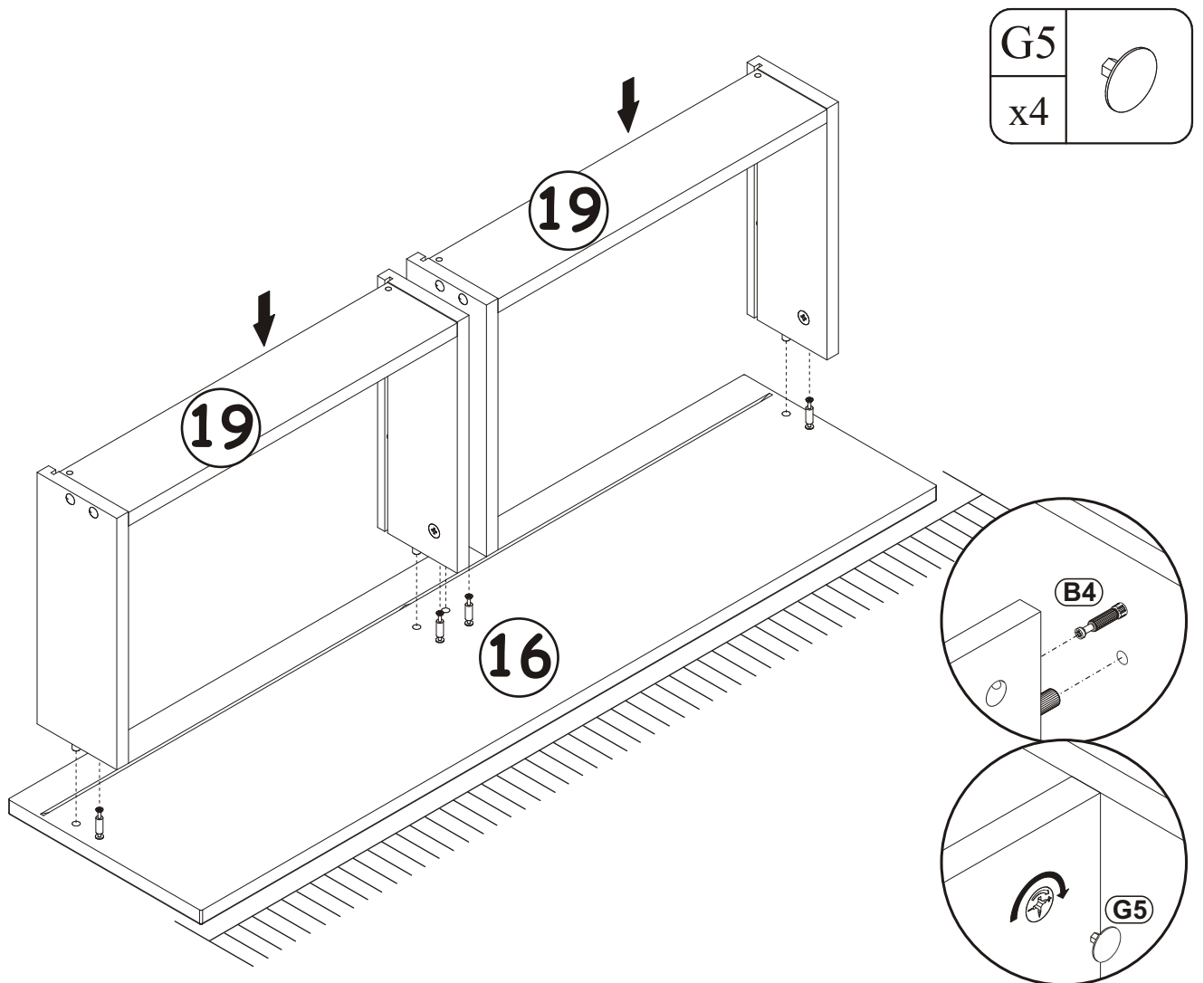
10



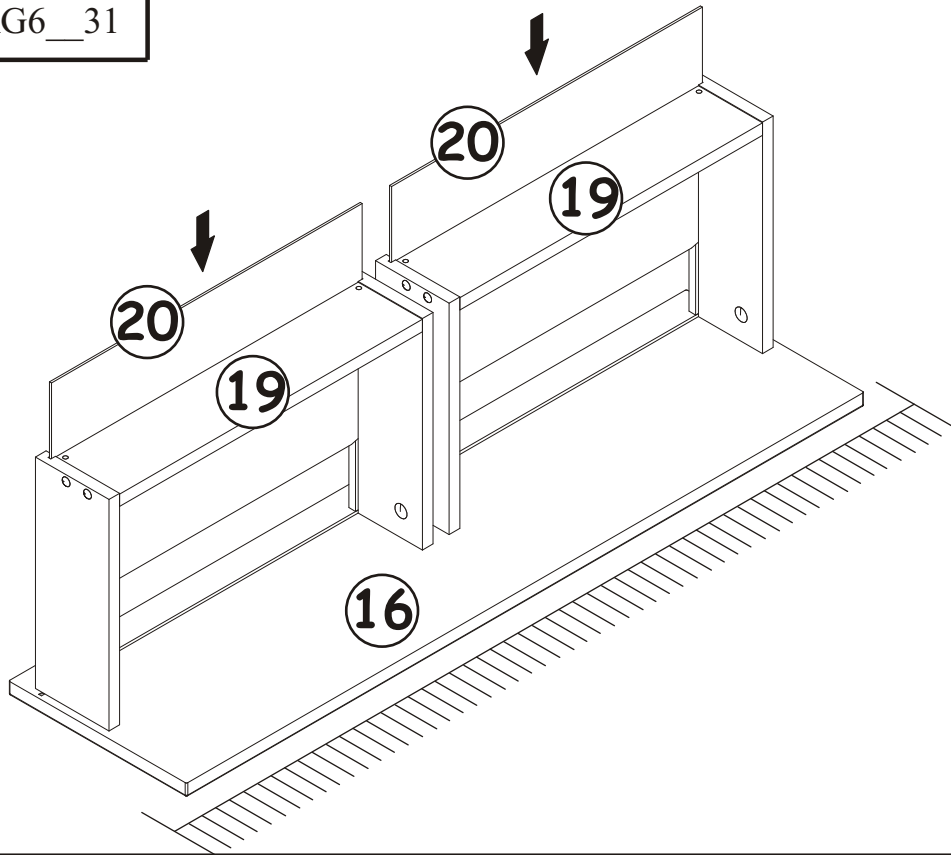
11



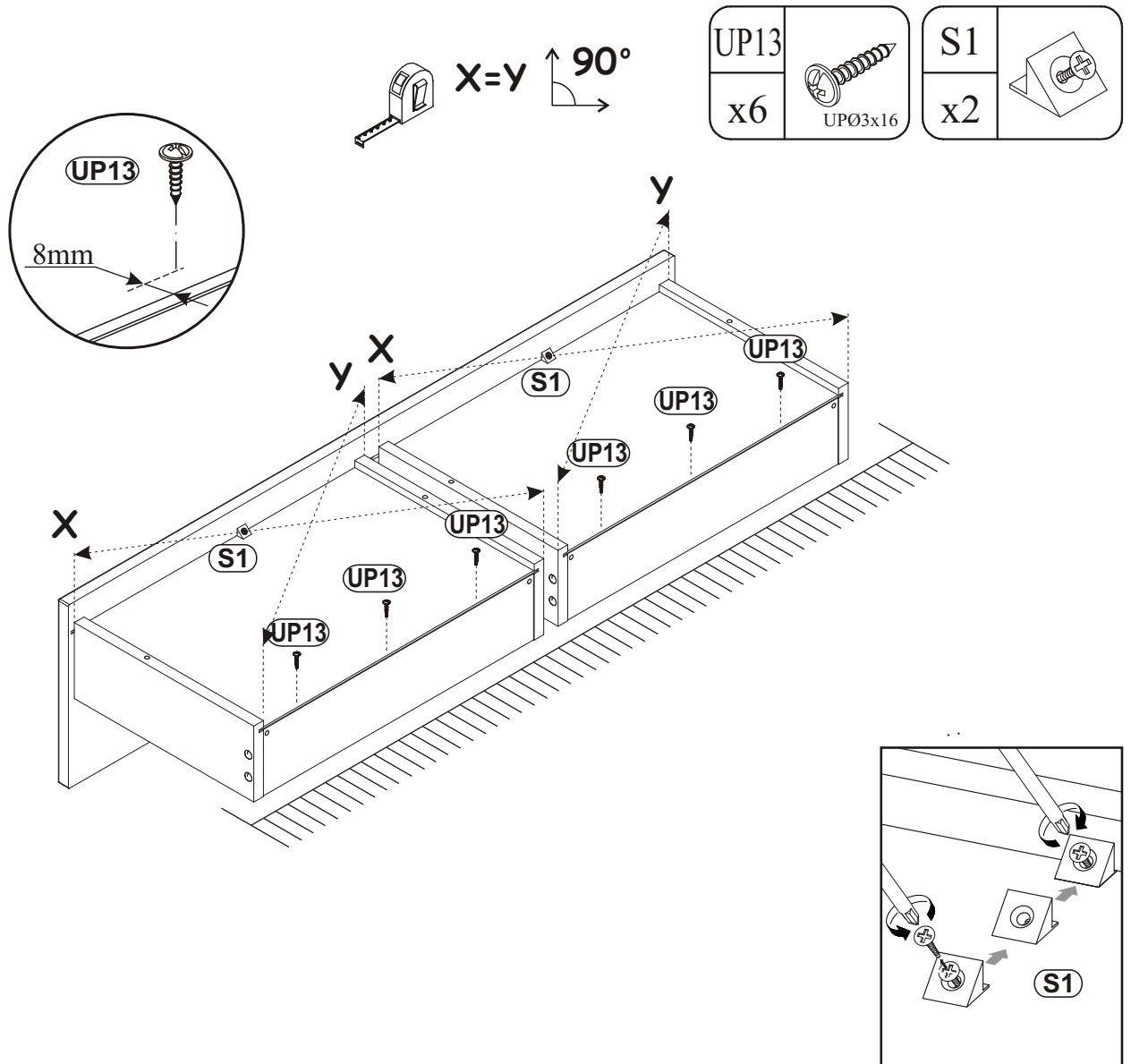
12



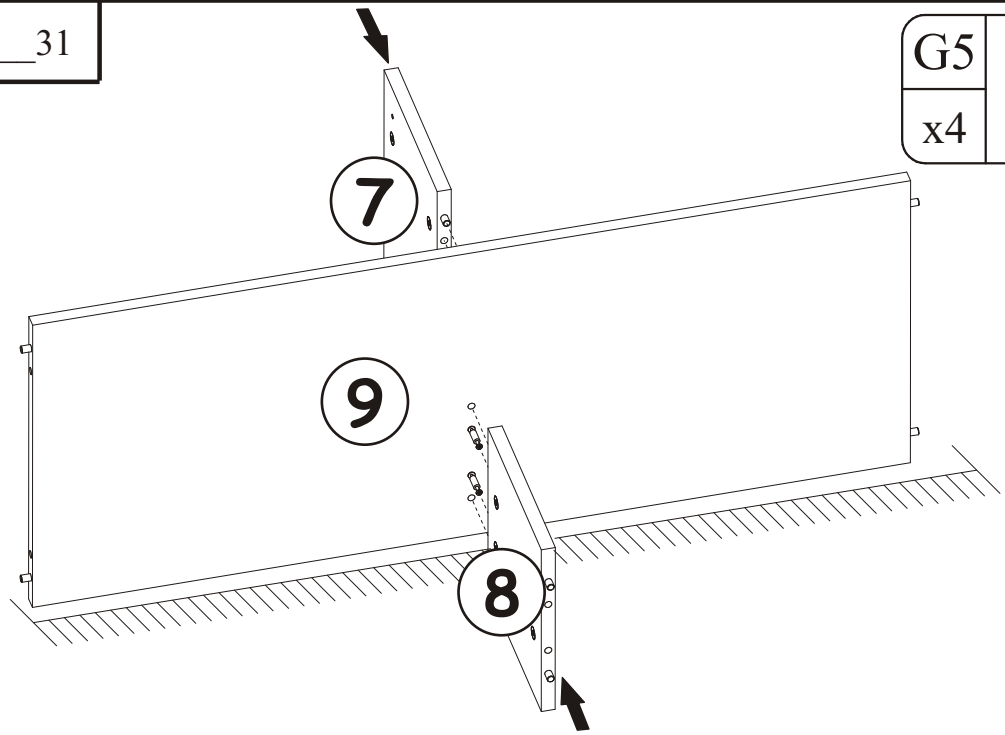
13




14

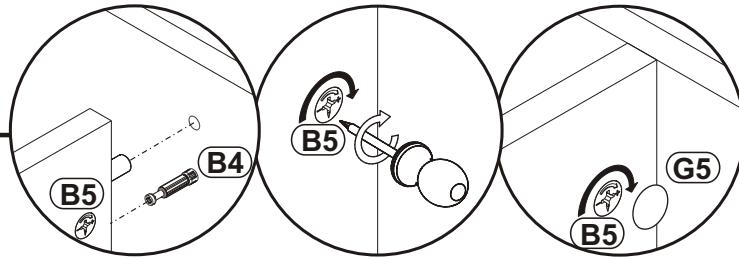



15

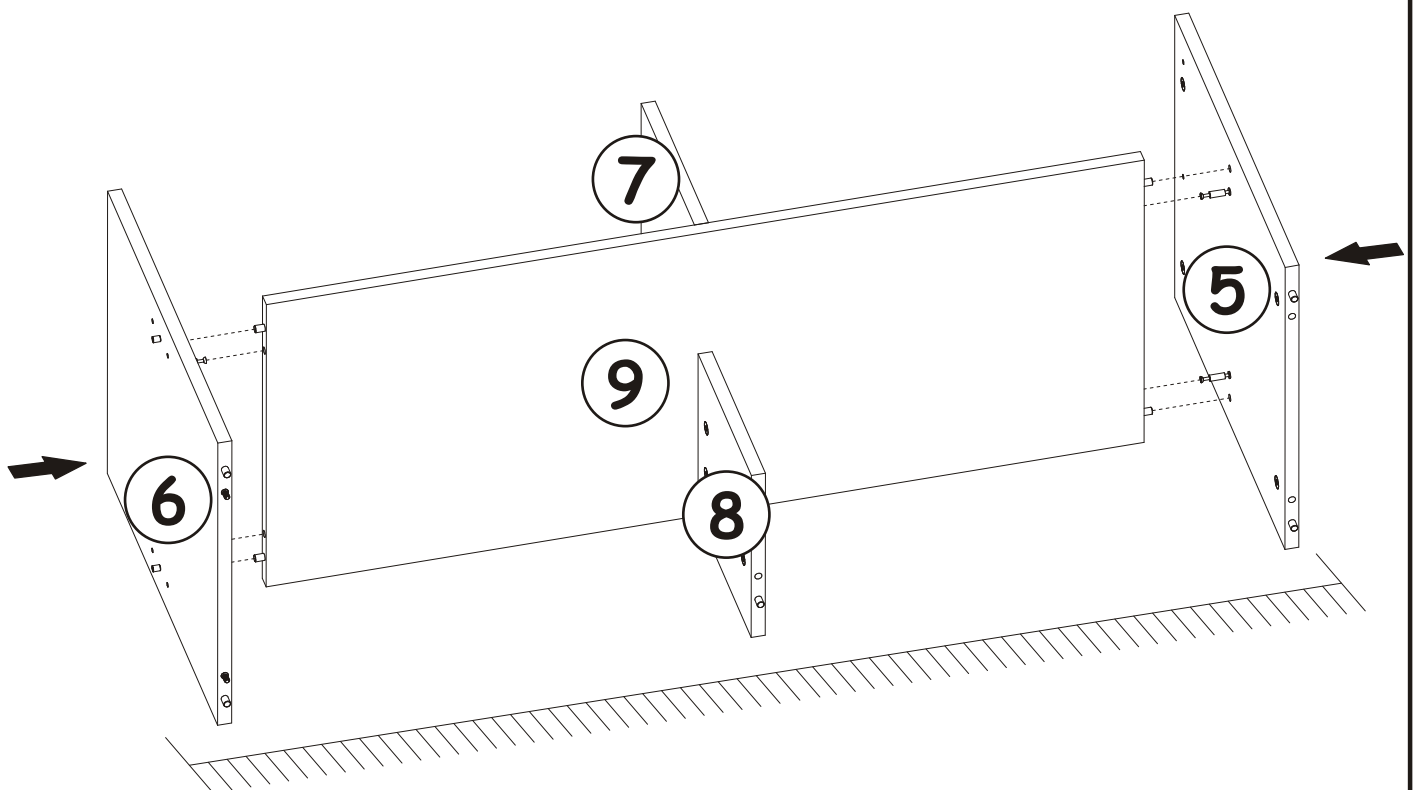


G5	
x4	

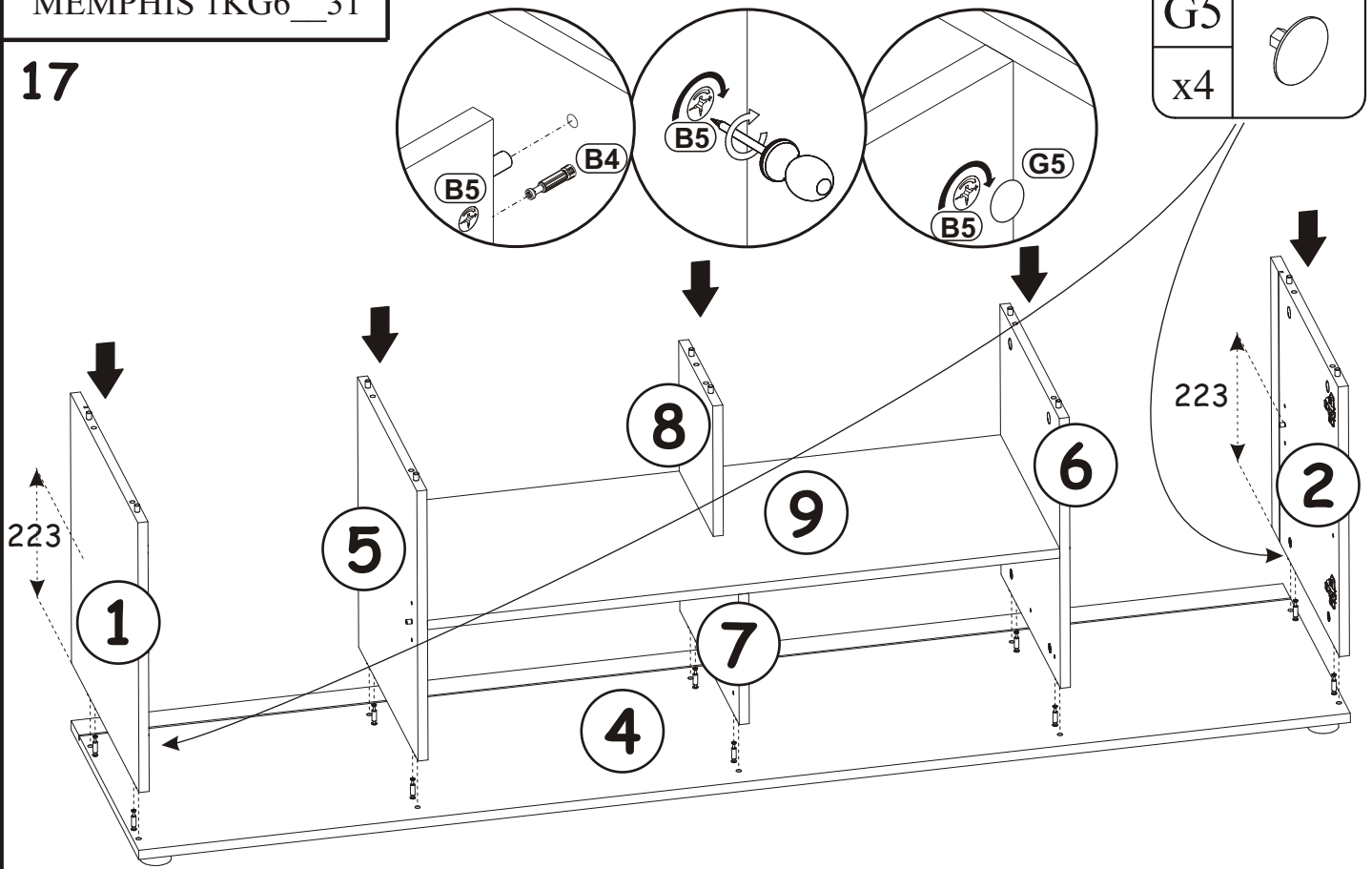
16



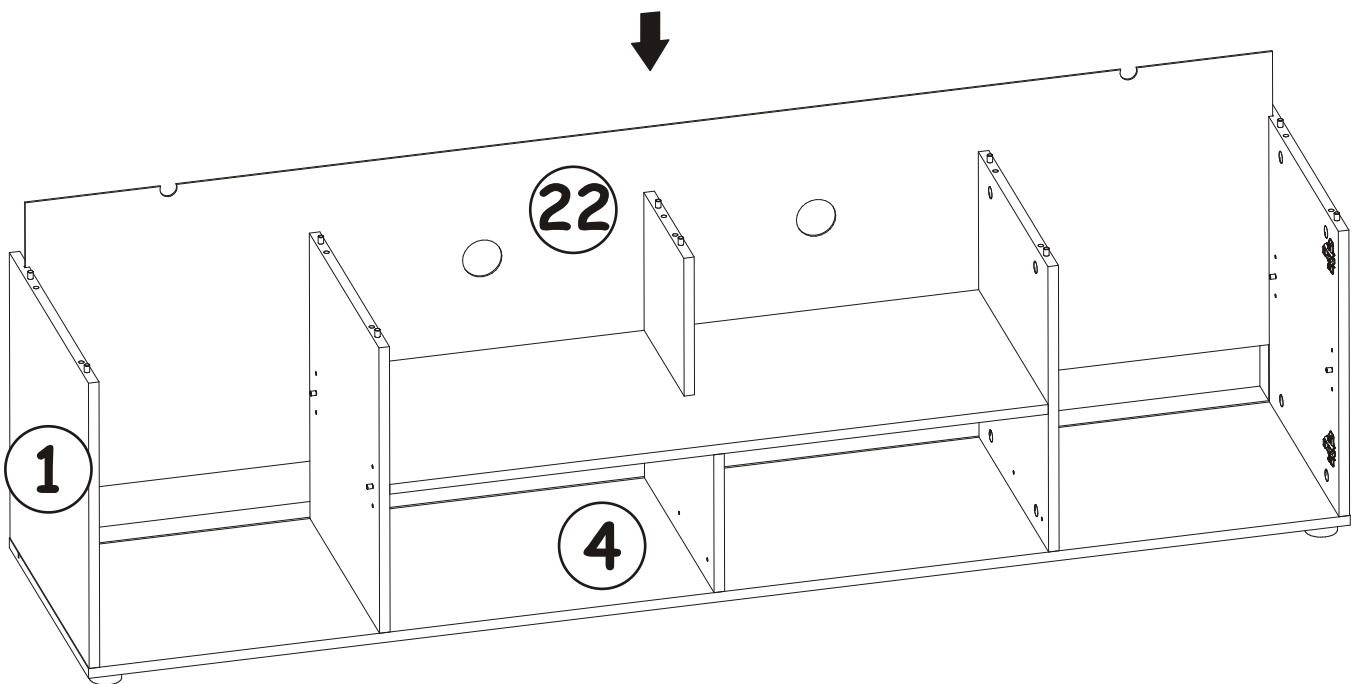
G5	
x4	




17

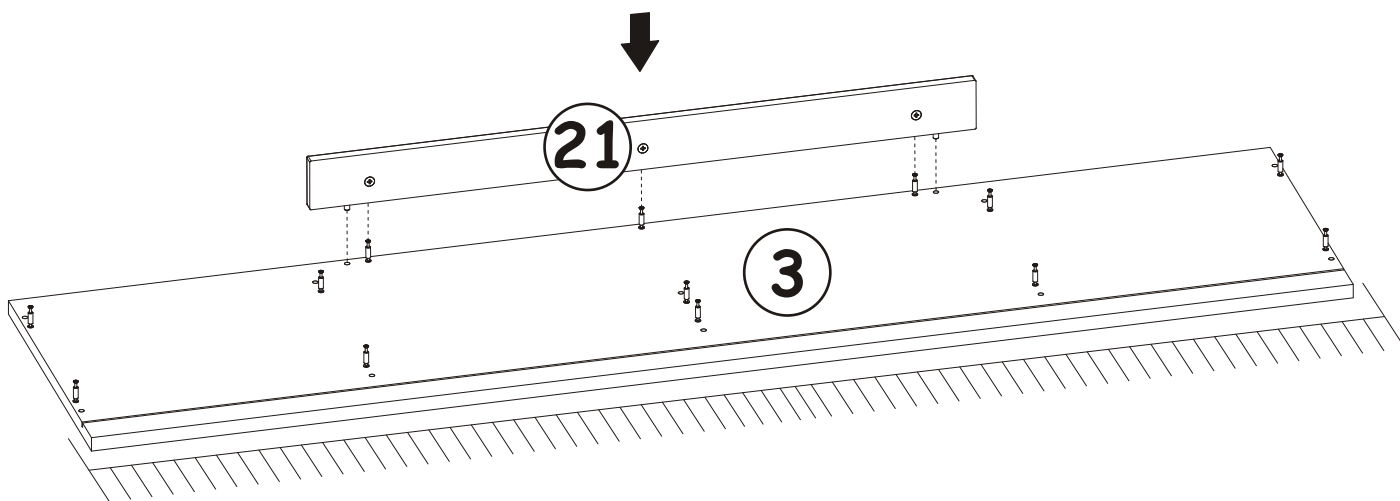


18

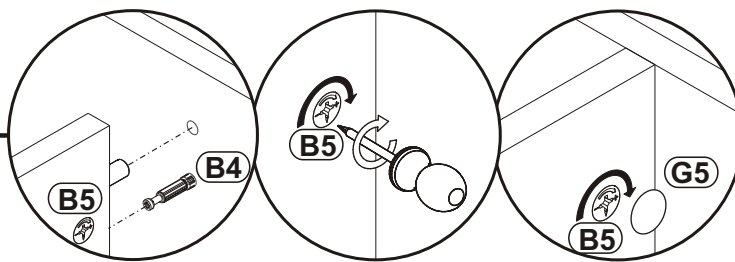


19


G5	
x3	

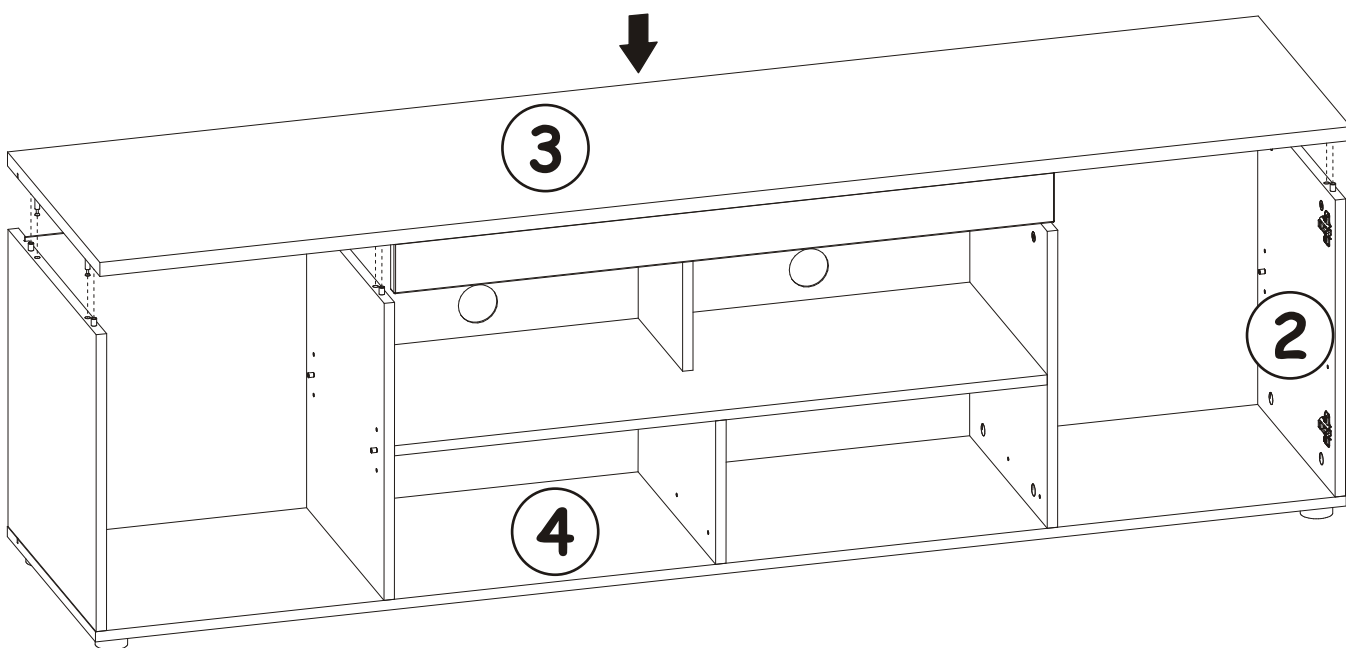


180°

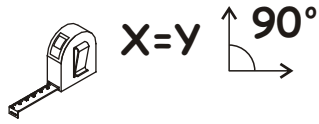


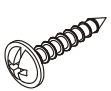
20

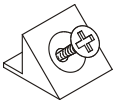
G5	
x10	

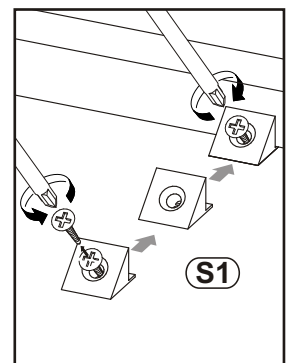
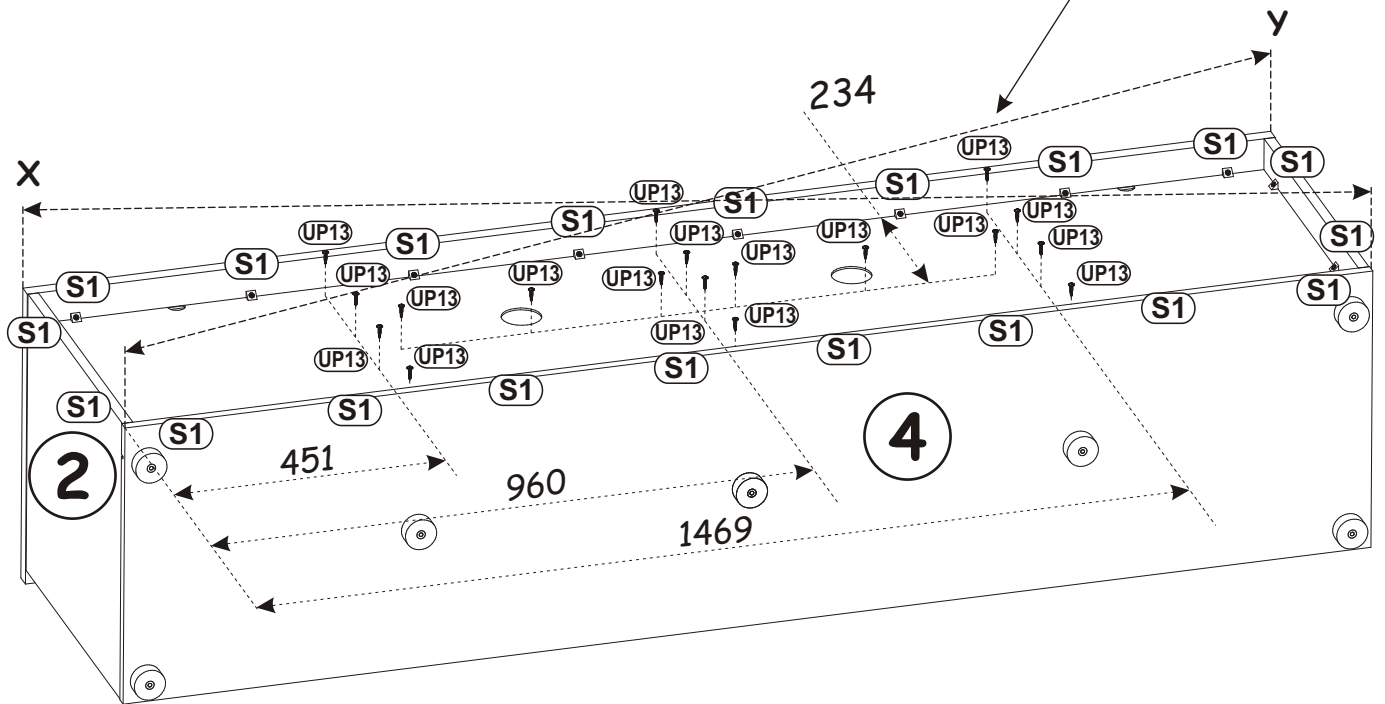
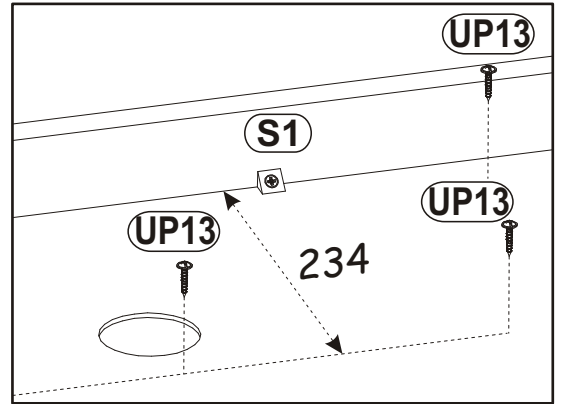
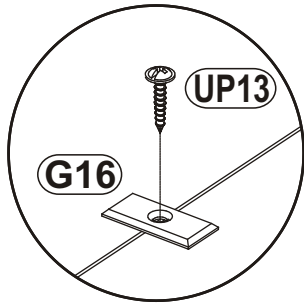


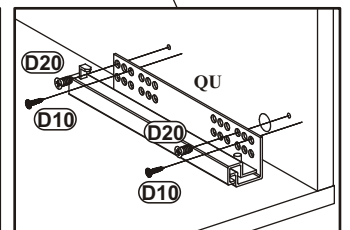
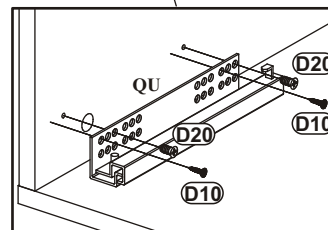
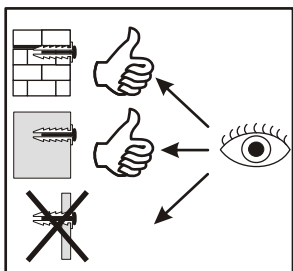
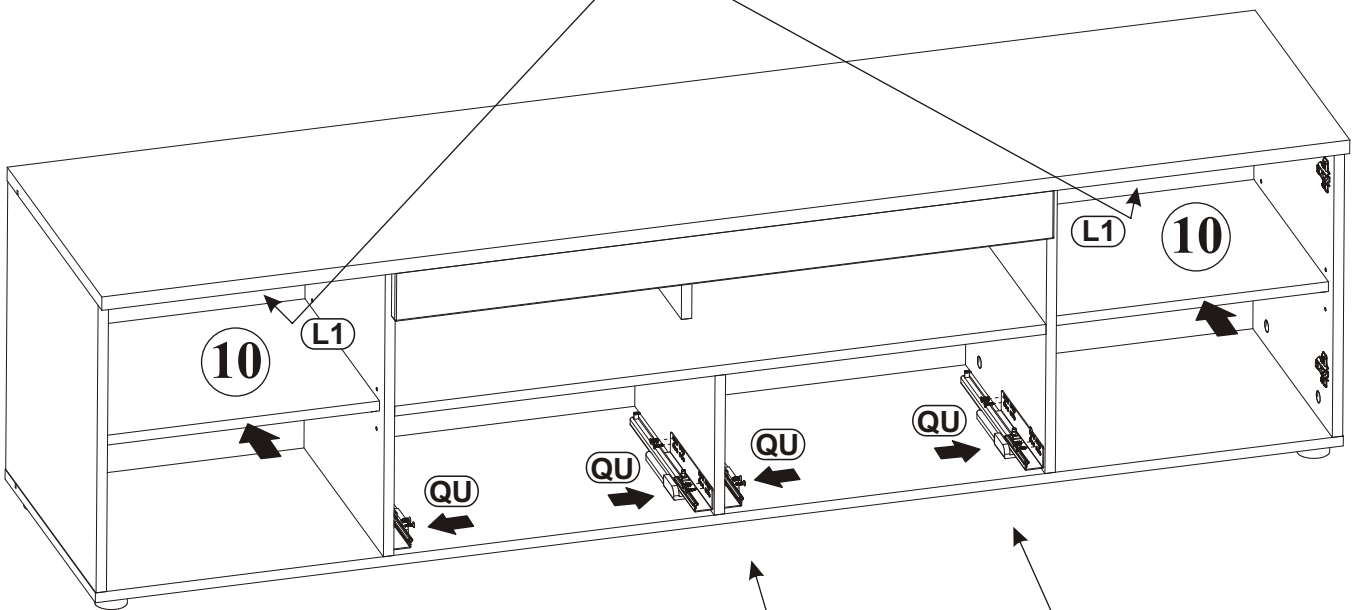
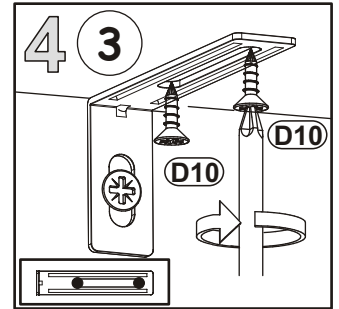
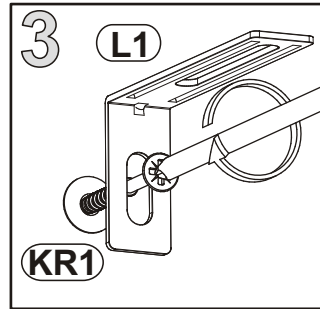
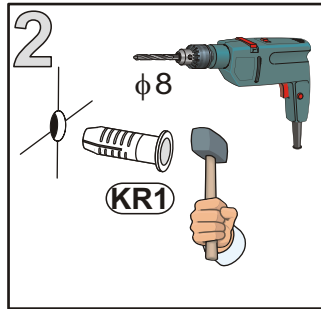
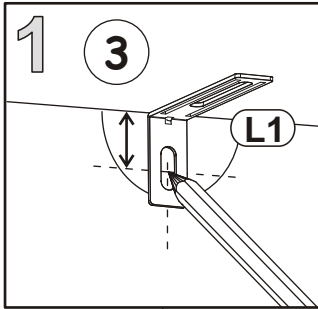
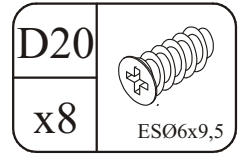
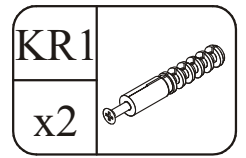
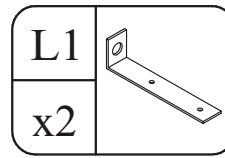
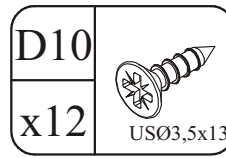
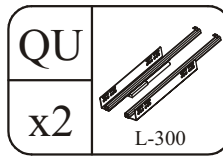
21



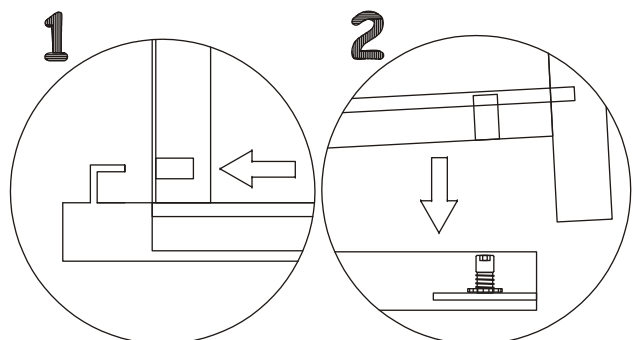
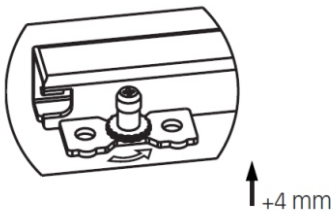
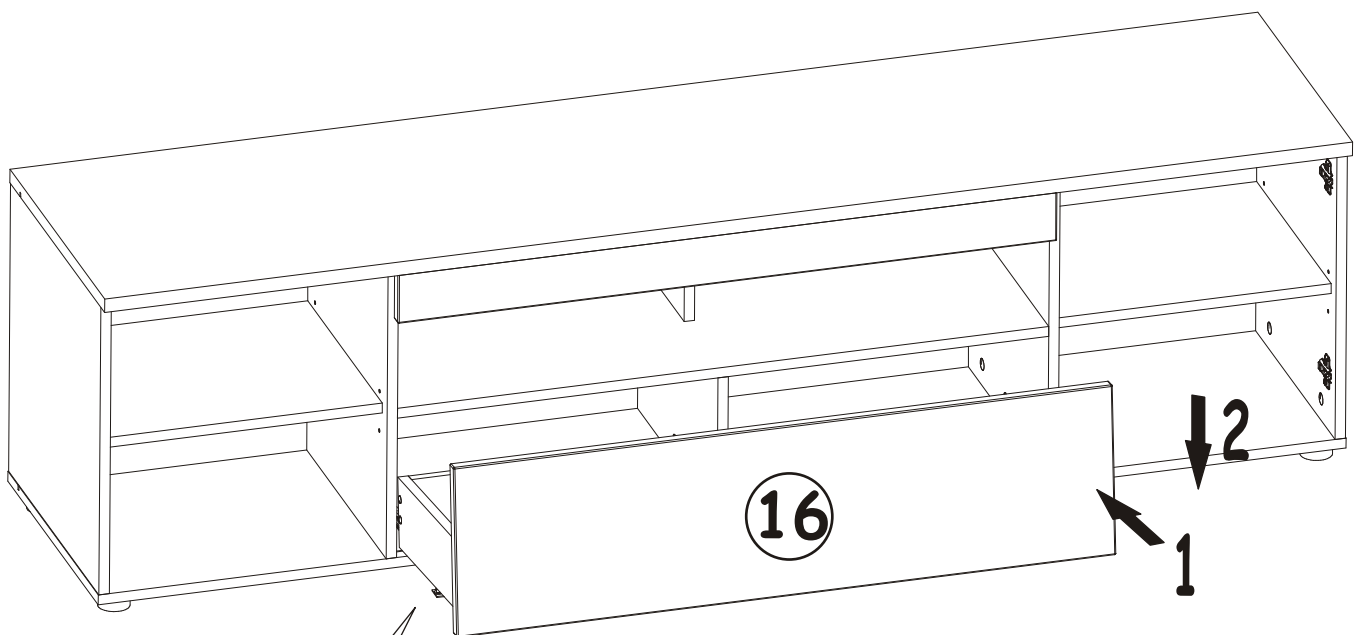
UP13	
x18	UPØ3x16

S1	
x20	





23



24

