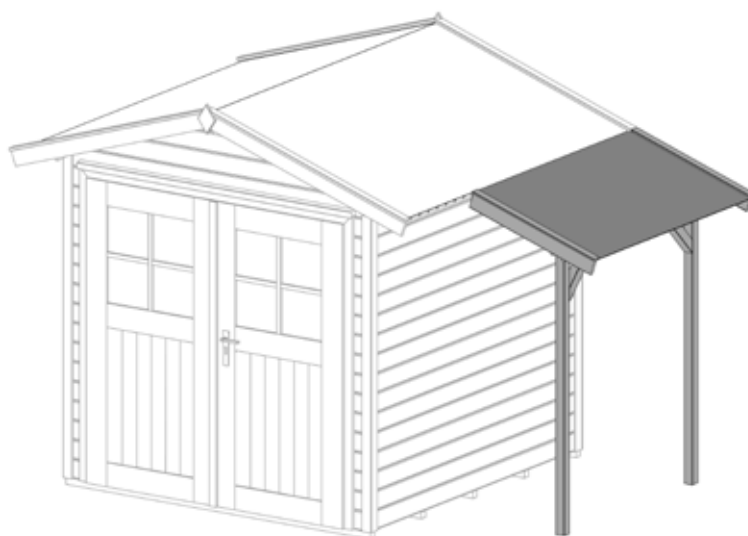


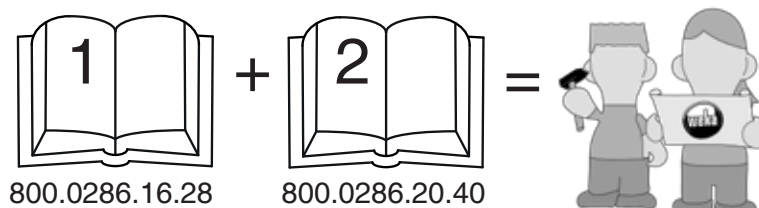


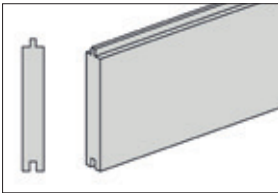
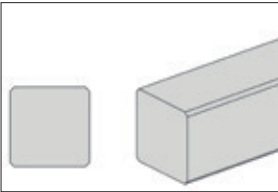
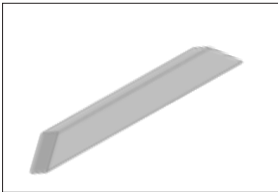
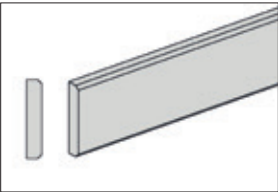
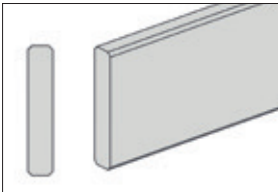
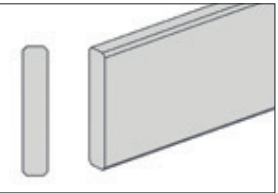
Seitlicher Dachanbau







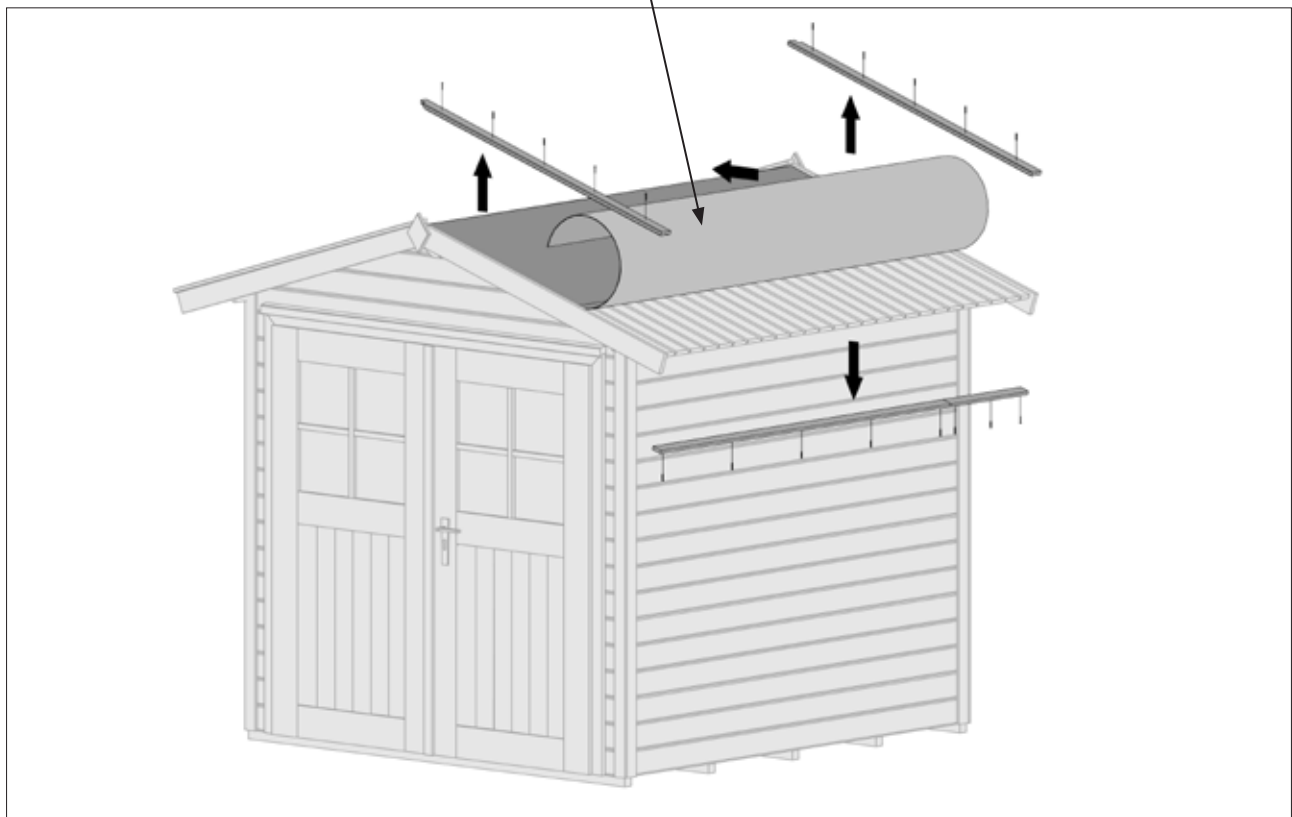
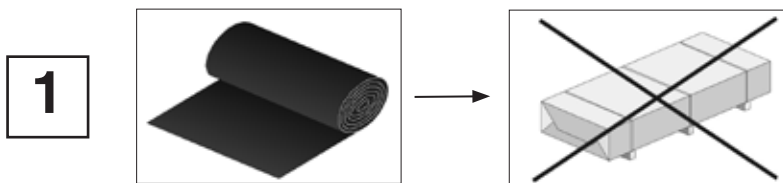
330.0106.11000
330.0106.20400
330.0106.21400

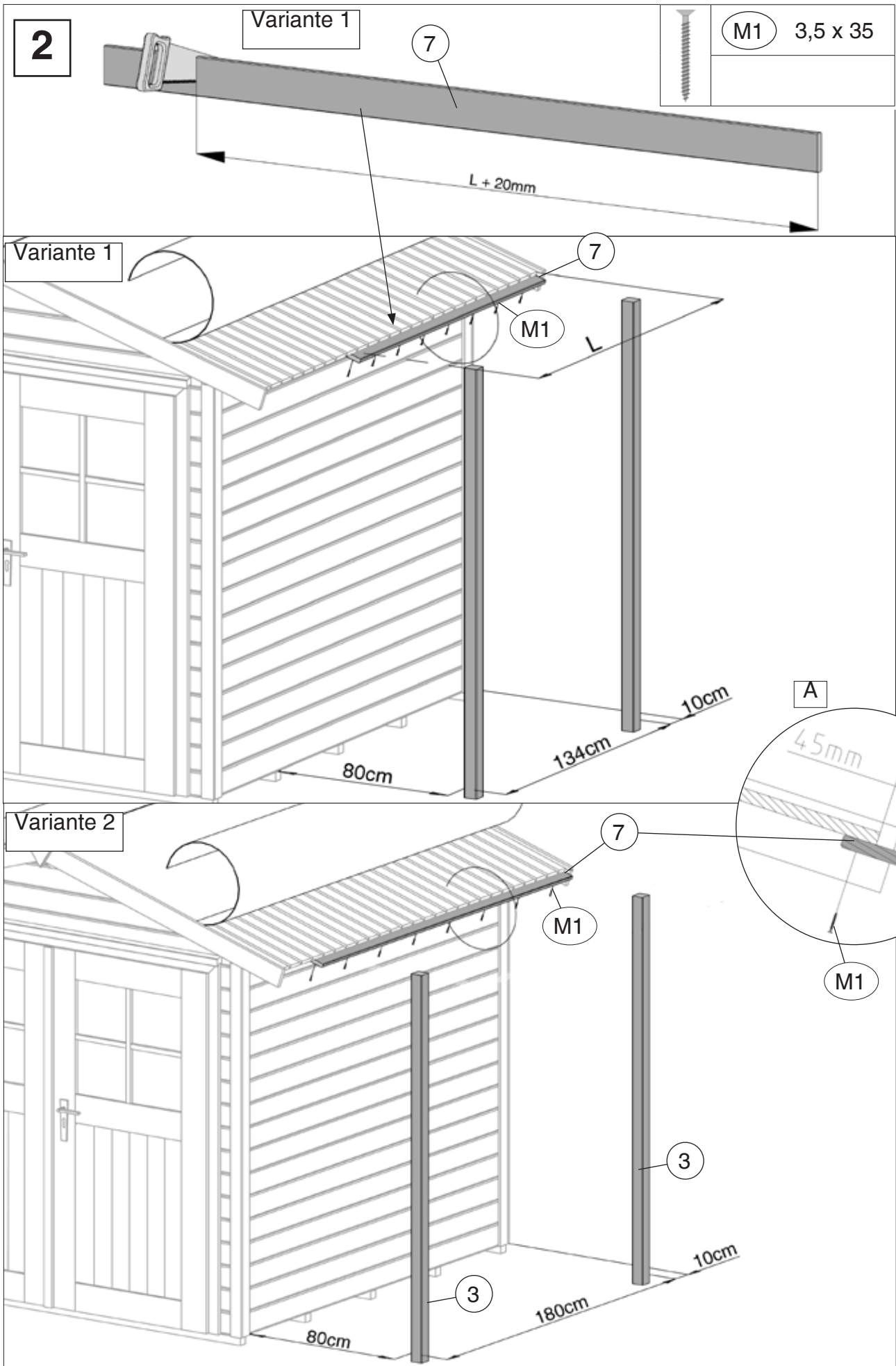
Montage-, Bedienungs- und Wartungsanleitung



Pos	Bild	Abmessung (mm)	Anzahl (Stück)		
			330.0106.11000	3030.0106.20400	330.0106.21400
①	-	-	-	-	-
②	R002.0091.0830 	15,5/96/830	23	23	23
③	R010.0240.1900 R002.0240.1900 R006.0240.1900 	58/58/1900 58/58/1900 58/58/1900	2 - -	- 2 -	- - 2
④	G126.10.0034 G300.10.0004 G300.06.0604 	58/58/500 58/58/500 58/58/500	2 - -	- 2 -	- - 2
⑤	R010.0400.1825 R002.0400.1825 R006.0400.1825 	11/58/1825 11/58/1825 11/58/1825	1 - -	- 1 -	- - 1
⑥	R010.0540.2050 R002.0540.2050 R006.0540.2050 	18,5/96/2050	3 - -	- 4 -	- - 3
⑦	R002.0540.2050 R002.0540.2000 	18,5/96/2050 18,5/96/2000	1 -	- -	- 1

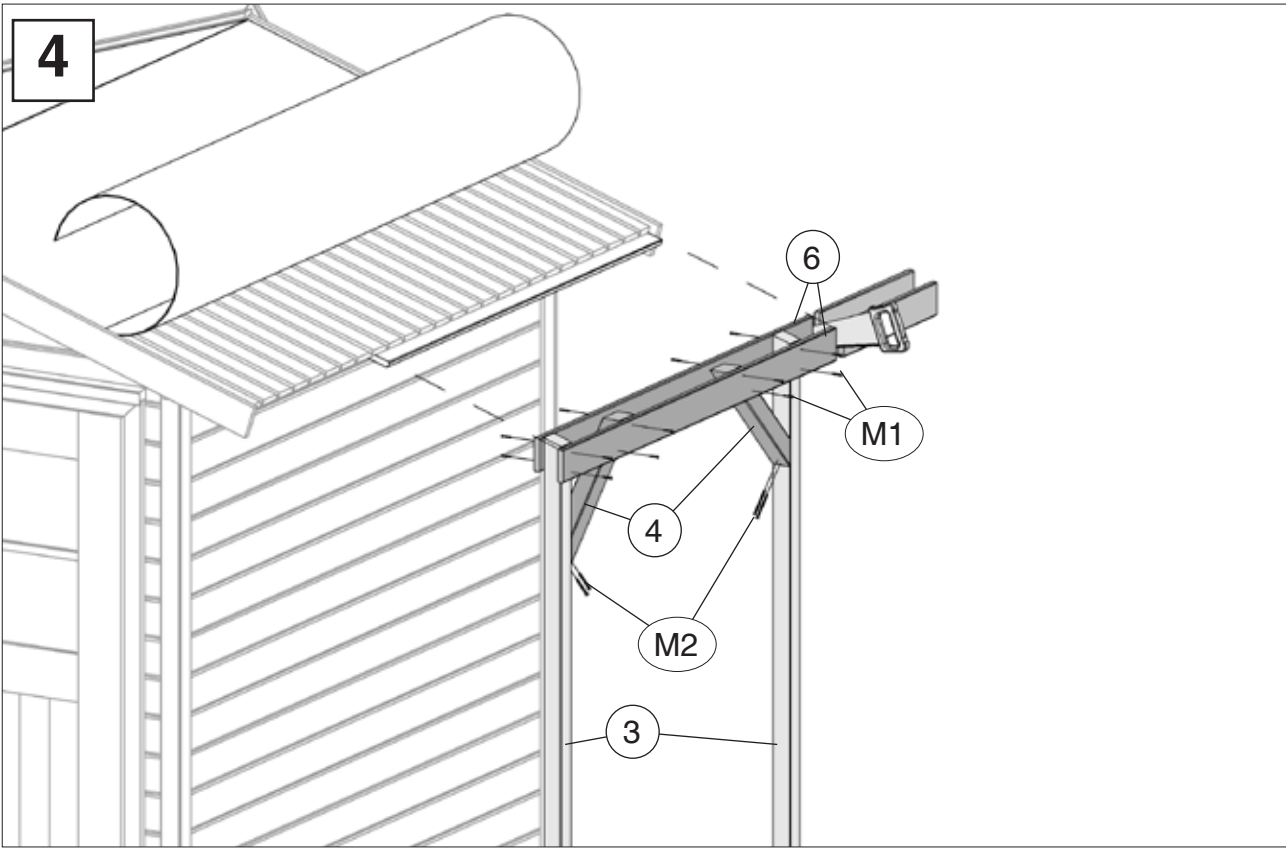
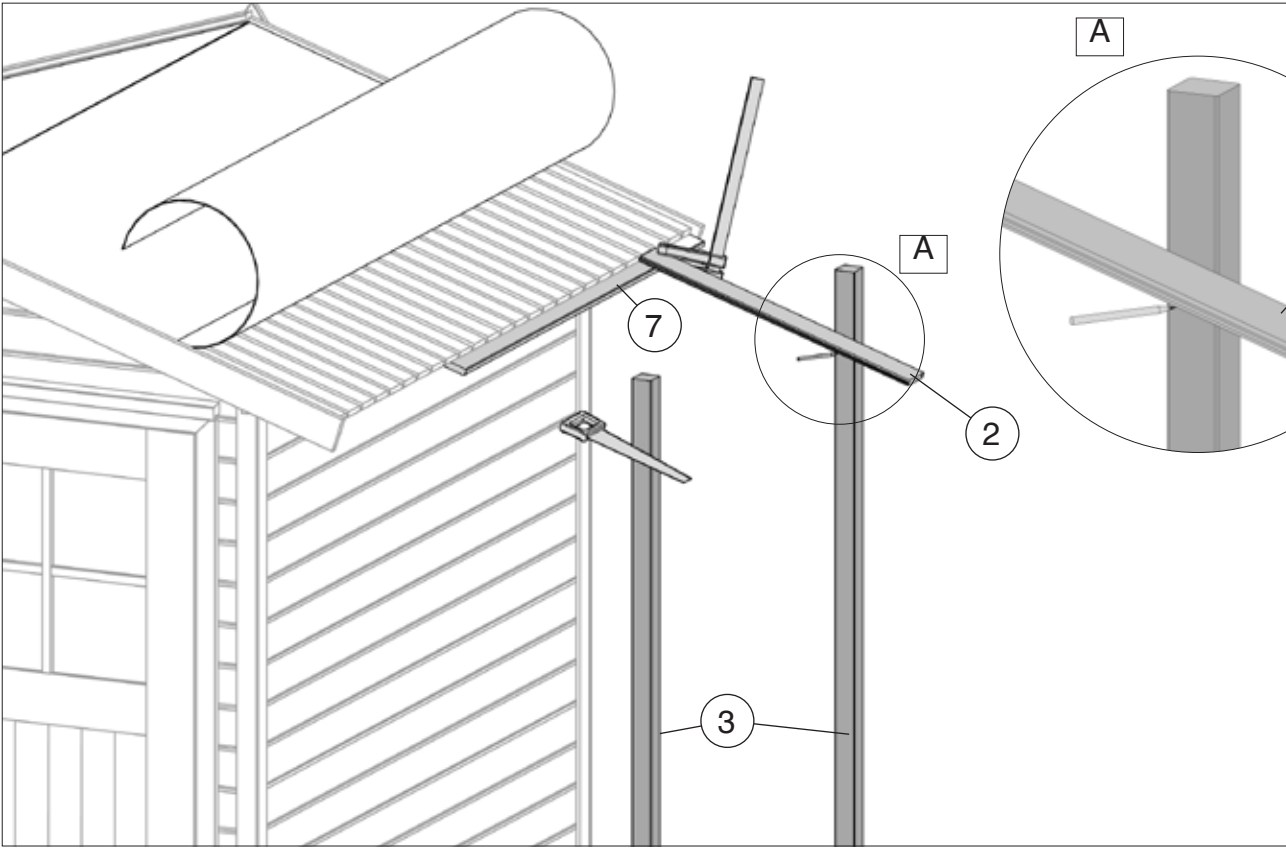
M330.019 330.0106.XXX00		Abmessung (mm)	Anzahl
Pos	Bild		
M1	K001.3535.0004 	3,5 x 35	95
M2	K001.8050.0004 	5,0 x 80	5
M3	K010.5022.0001 	2,2 x 55	50
M4	K011.1320.0001 	2,0 x 13	60



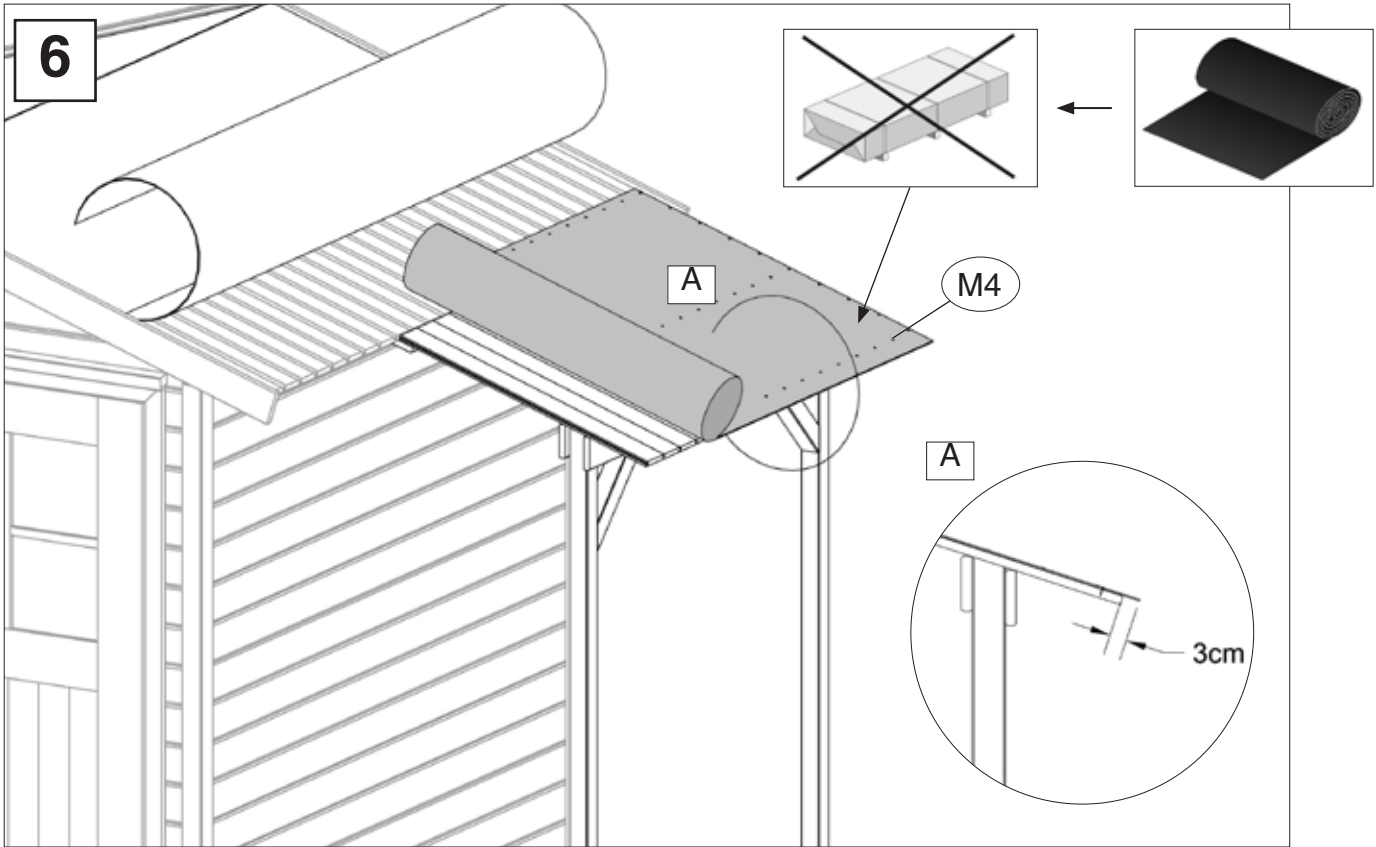
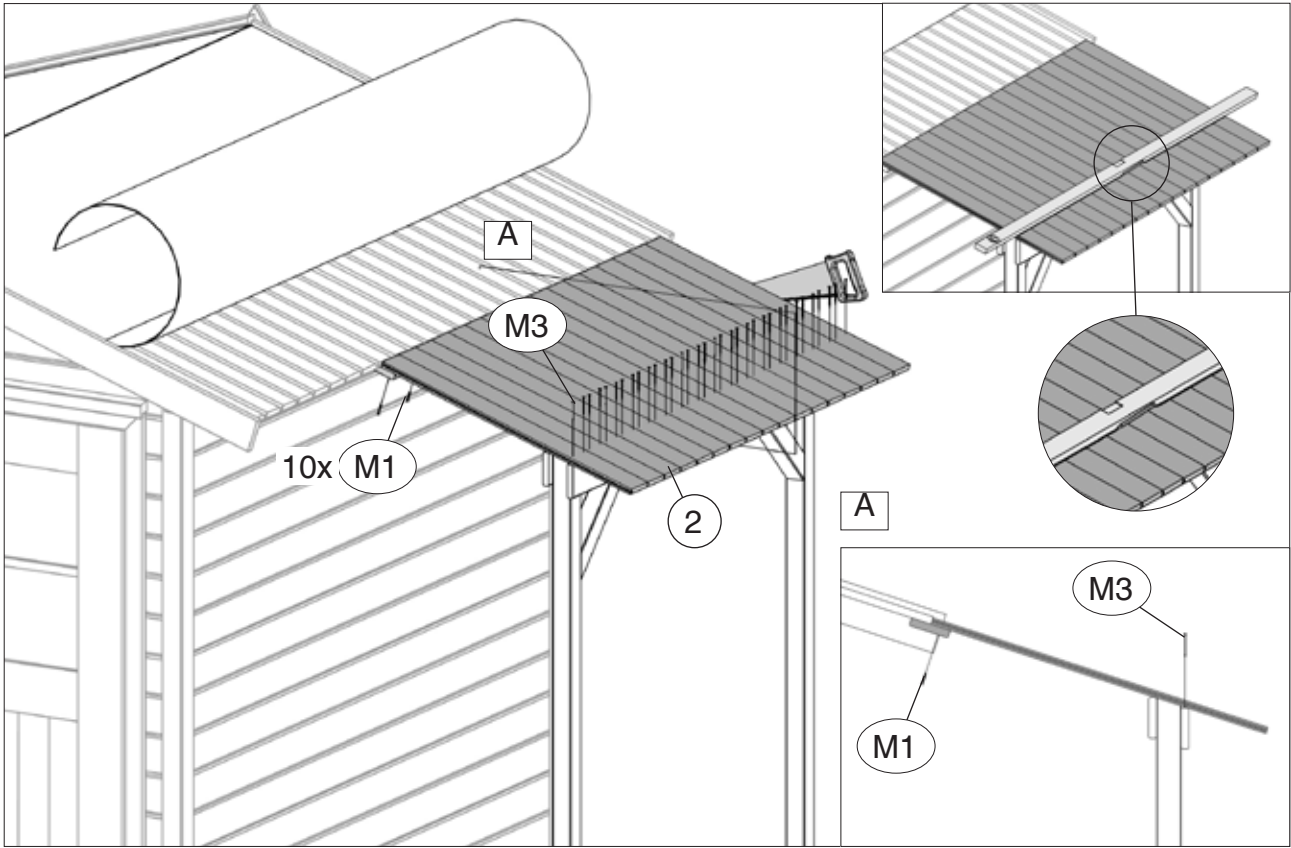
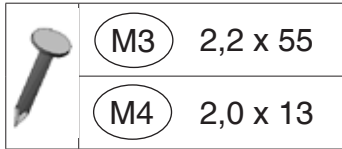


3

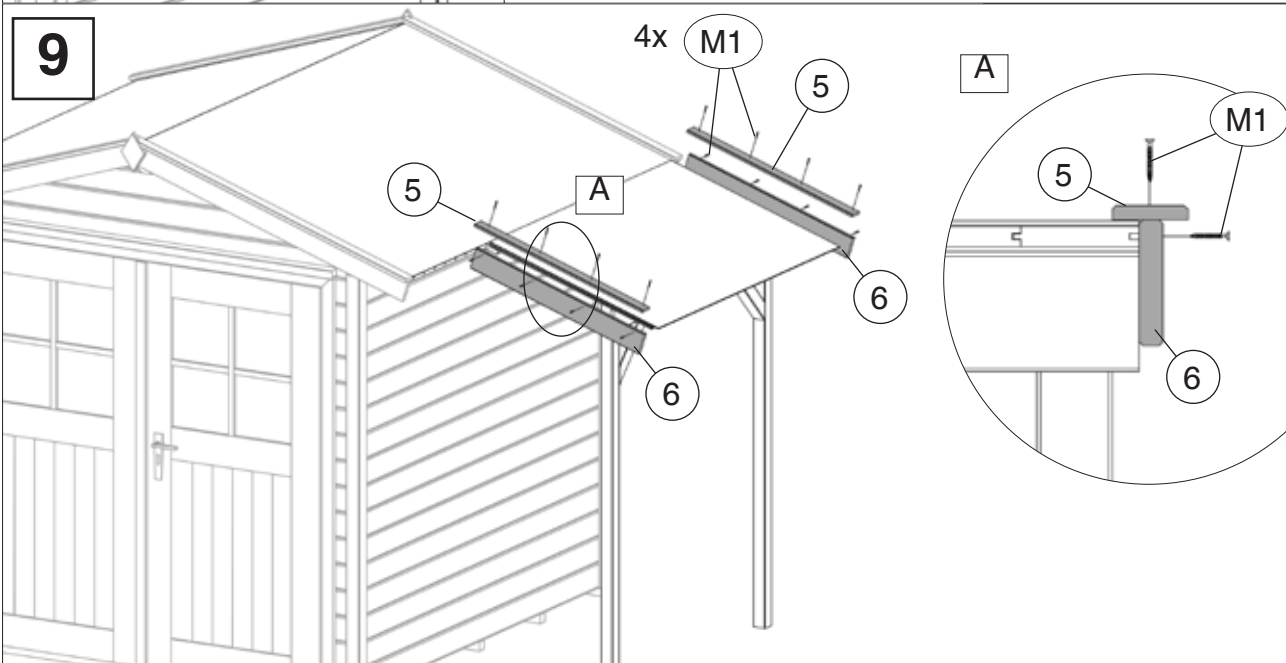
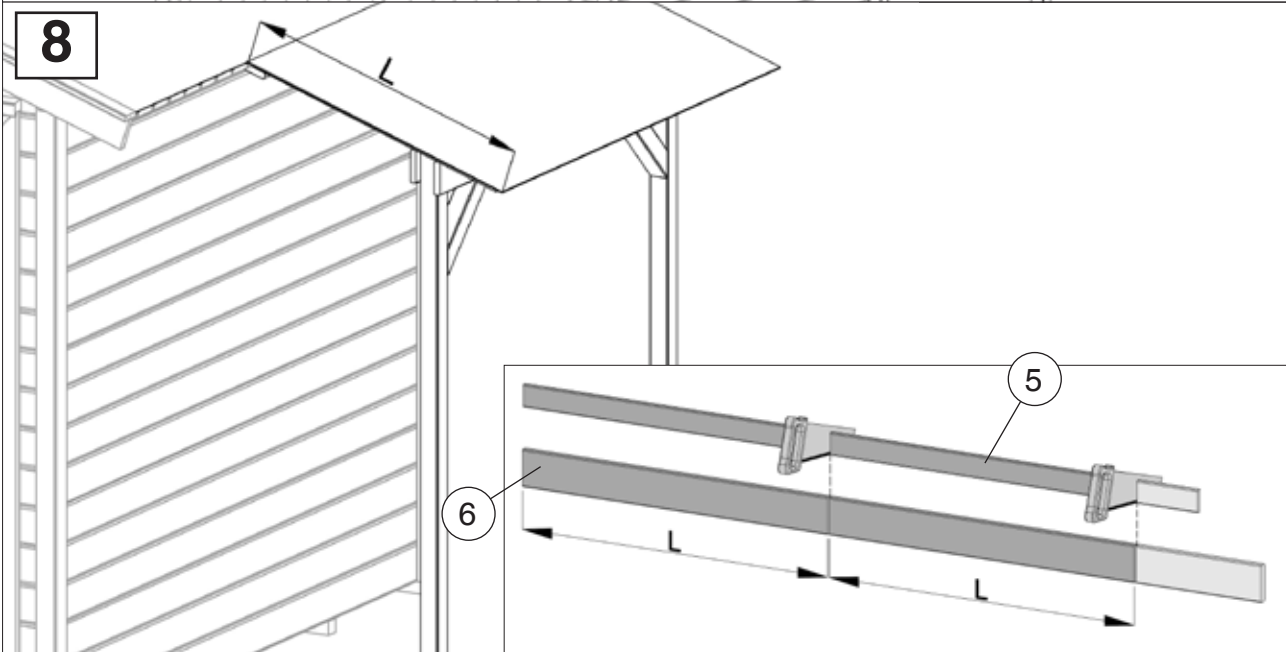
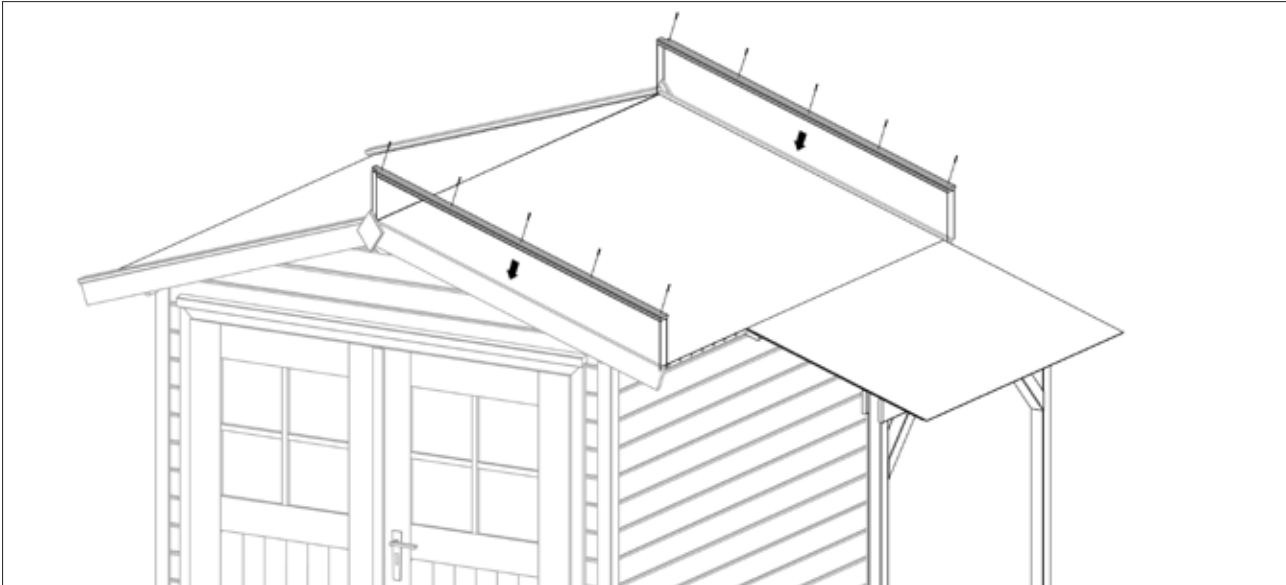
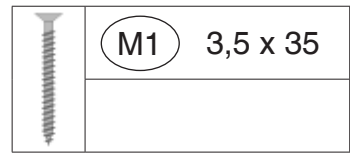
	M1	3,5 x 35
	M2	5,0 x 80



5



7



www.weka-holzbau.com

The logo for WEKA Holzbau GmbH, featuring the word "weka" in white lowercase letters inside a red circle with a green border.

WEKA Holzbau GmbH

Johannesstr. 16, 17034 Neubrandenburg

Tel.: +49 (0)395 42908-0

Fax: +49 (0)395 42908-83

Mail: info@weka-holzbau.com

Web: www.weka-holzbau.com

MA Art.-Nr.: 800.0286.16.28