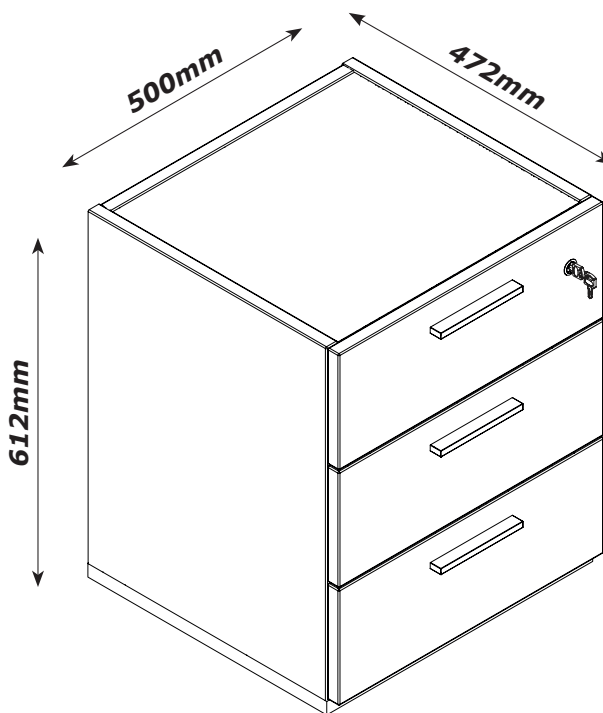


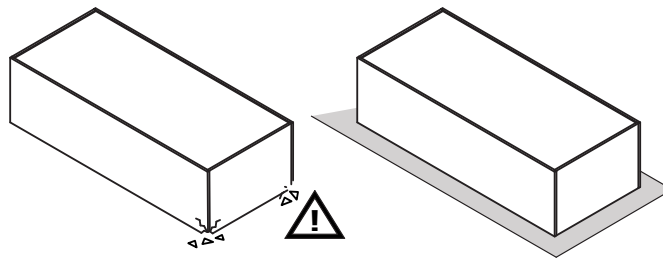
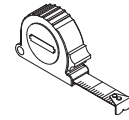
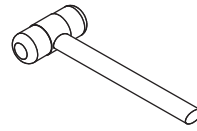
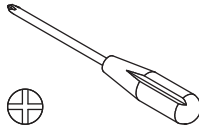
# CT4855K76204



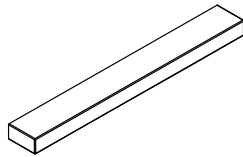
QF5503-2



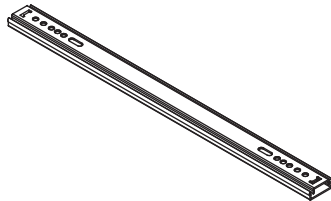
1,5h



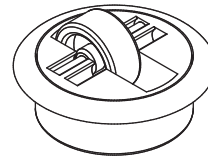
**BU4626**



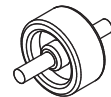
**M203**  
x3



**A34**  
x6

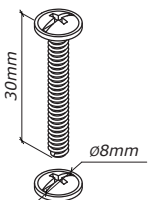


**H256**  
x4

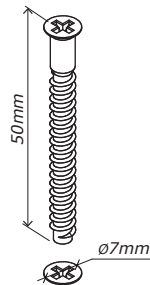


**H257**  
x4

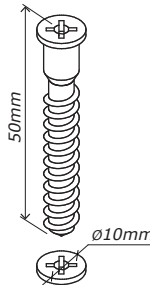
**BU4618**



**V35**  
x6



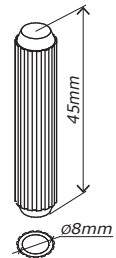
**V130**  
x12



**V45**  
x4



**T28**  
x10



**H325**  
x12



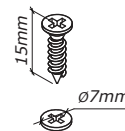
**T98**  
x6



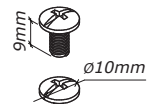
**T99**  
x4



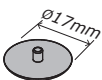
**H54**  
x12



**V5**  
x26



**V38**  
x6



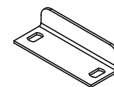
**G136**  
x6



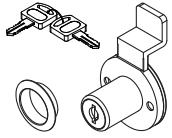
**H2**  
x12



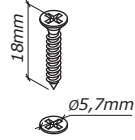
**H113**  
x6



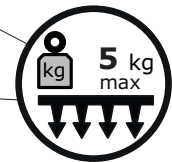
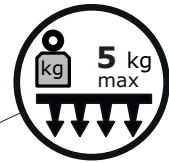
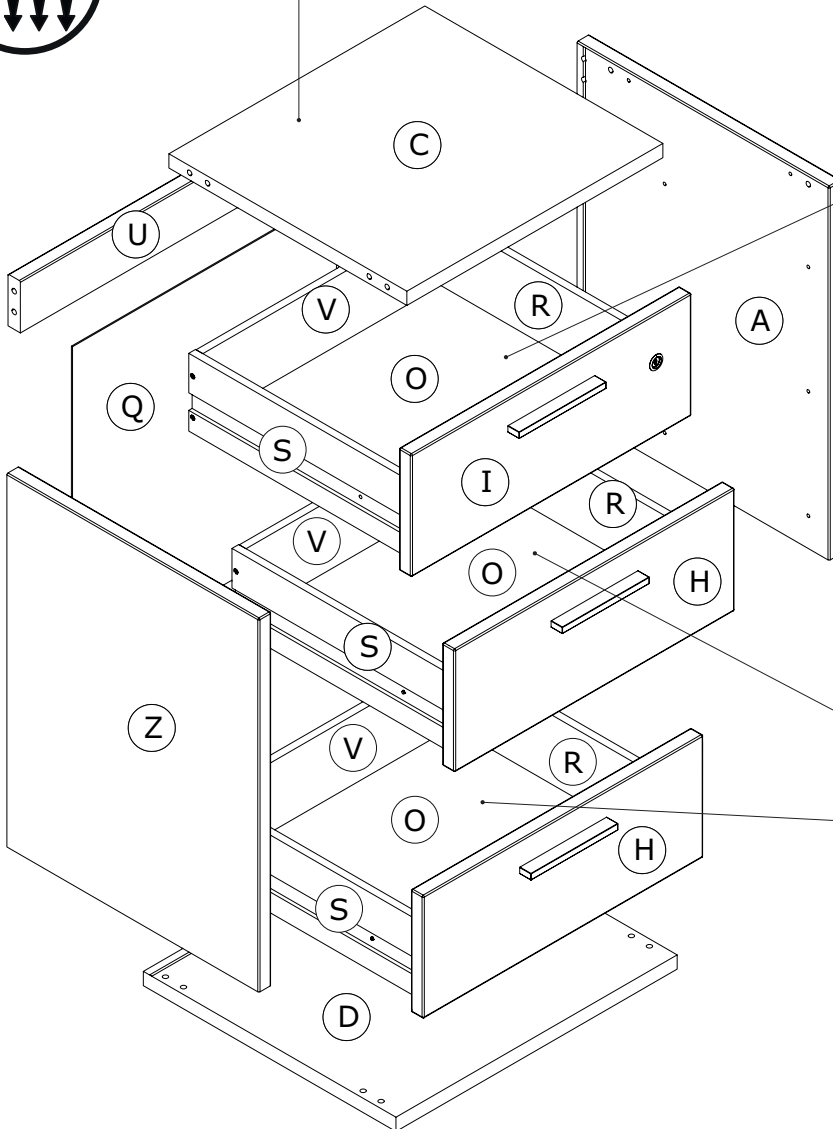
**H194**  
x1

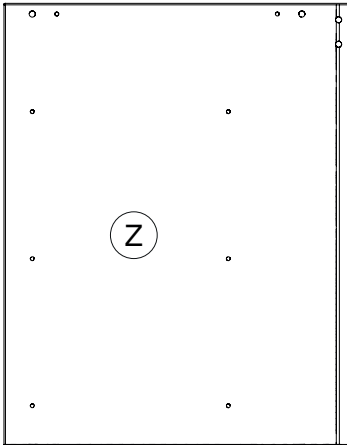


**H190**  
x1

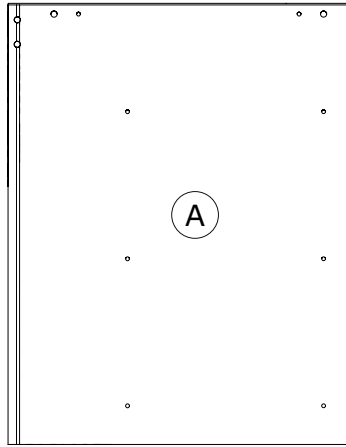


**V88**  
x2

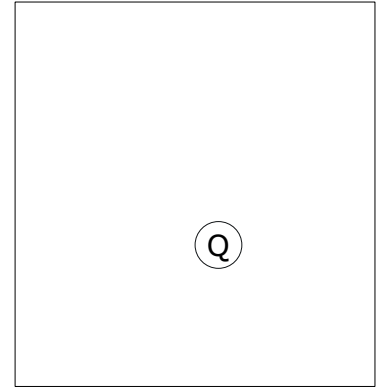




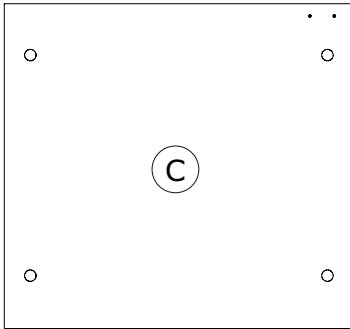
**FI8989**  
576x449x22mm



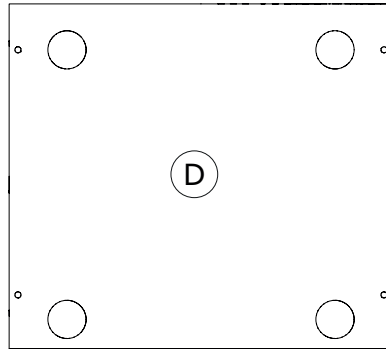
**FI8988**  
576x449x22mm



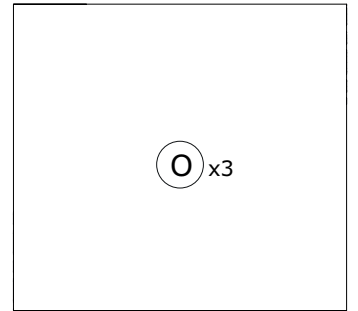
**SH3495**  
502x470x2mm



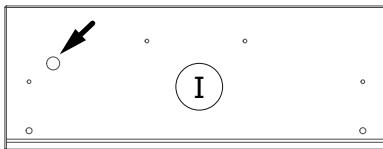
**PI7314**  
456x424x22mm



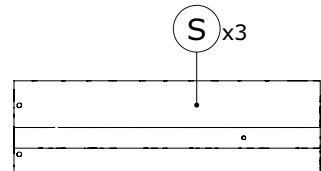
**BA2279**  
501x450x22mm



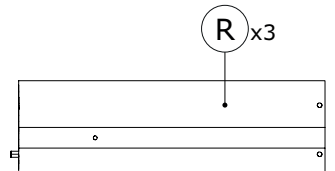
**SH3513**  
435x400x2mm



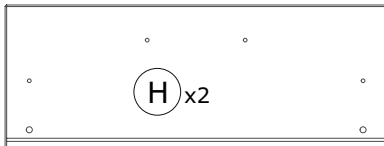
**CS3761**  
499x189x22mm



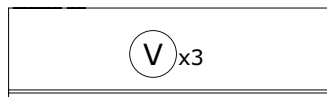
**OS0321**  
400x120x12mm



**OS0320**  
400x120x12mm



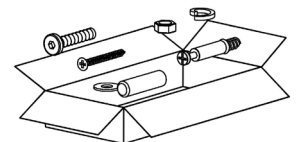
**CS3759**  
499x189x22mm



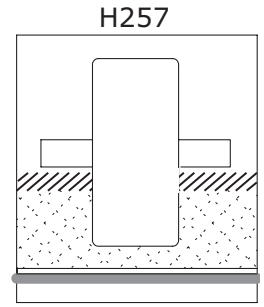
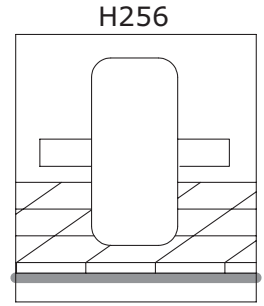
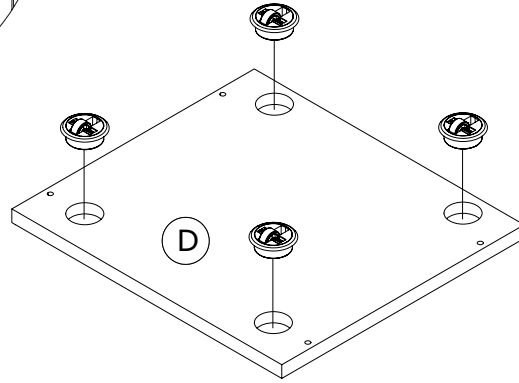
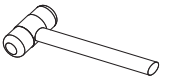
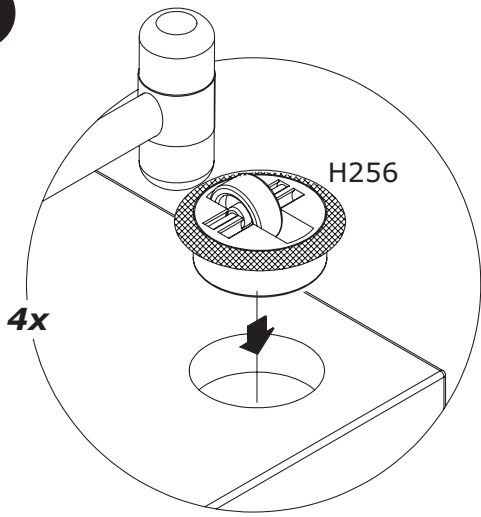
**OS0322**  
424x120x12mm



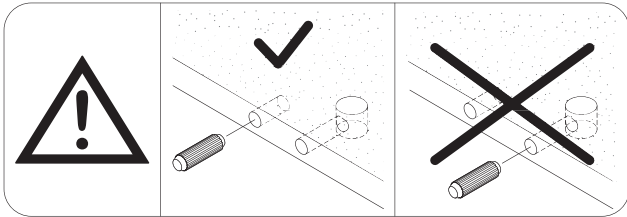
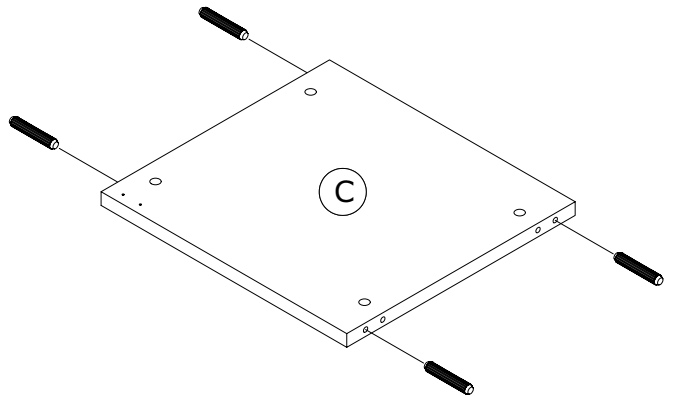
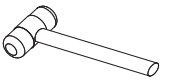
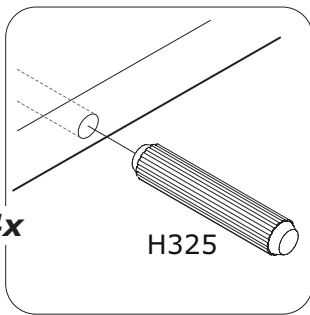
**FS4242**  
456x80x22mm



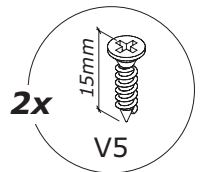
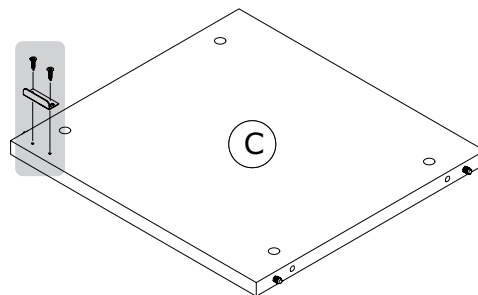
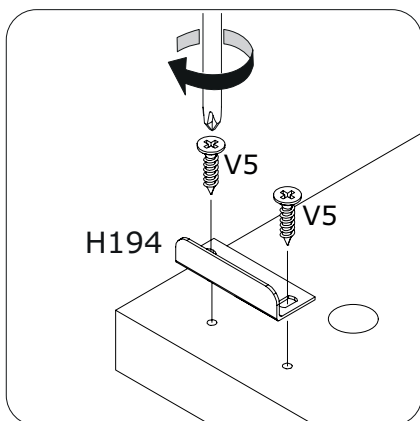
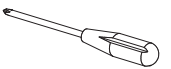
1



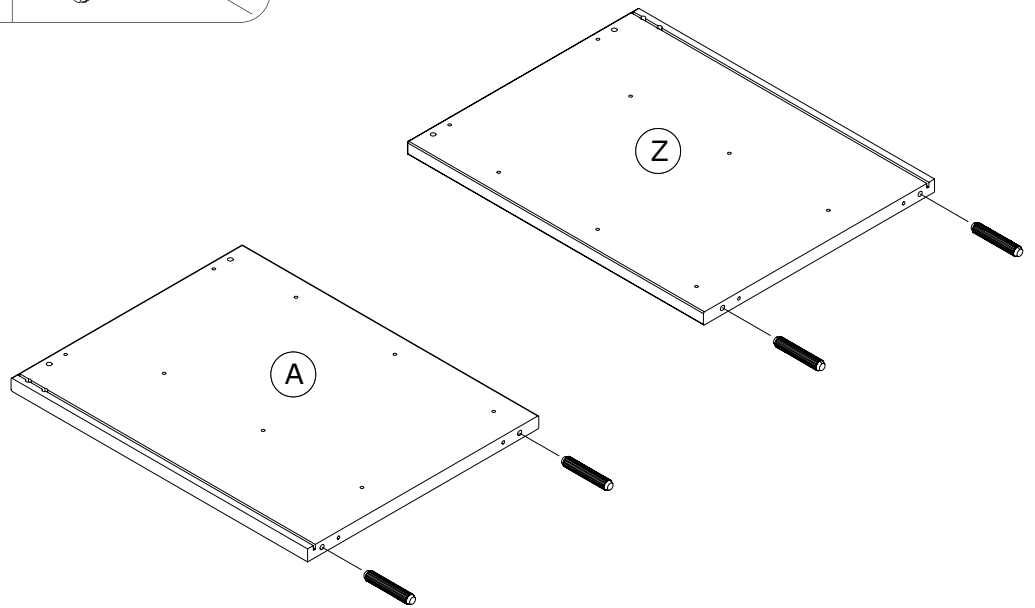
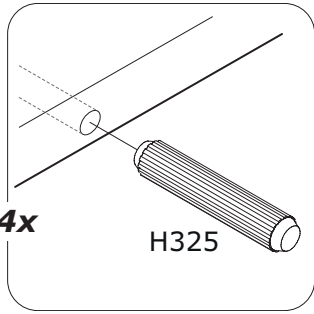
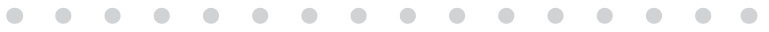
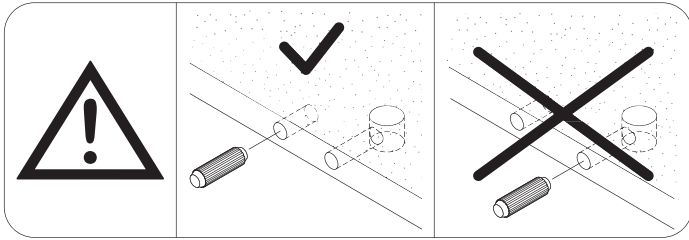
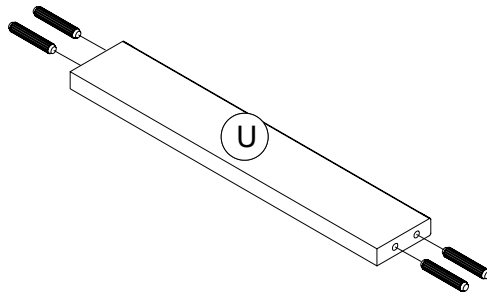
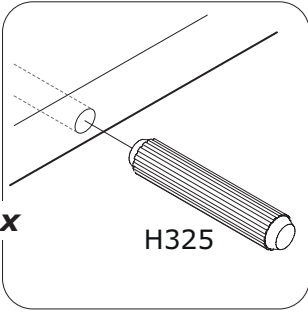
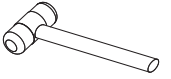
2



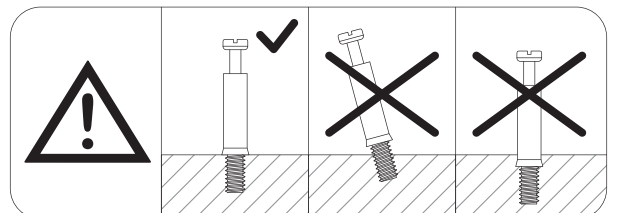
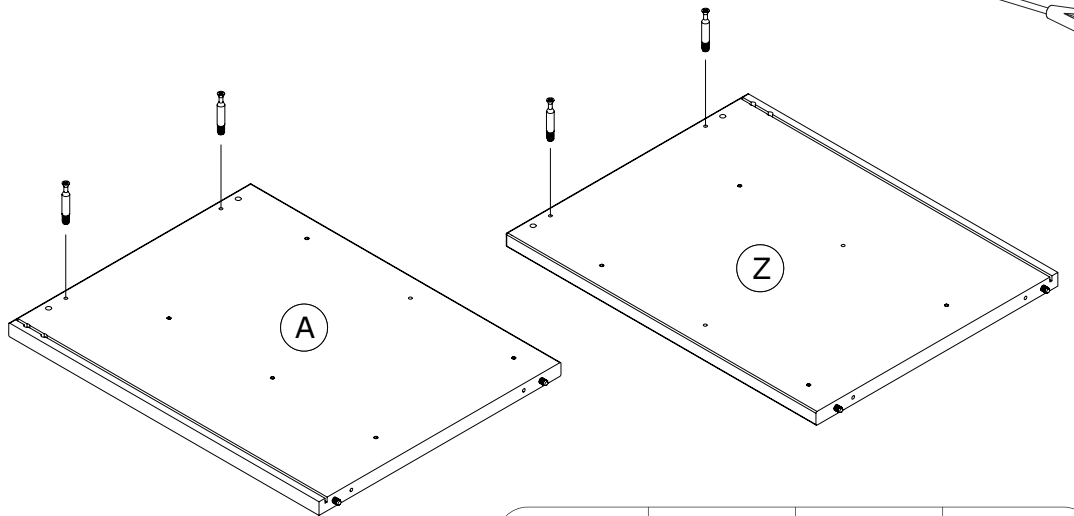
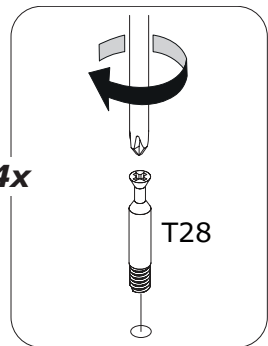
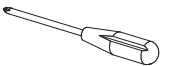
3



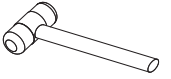
4



5

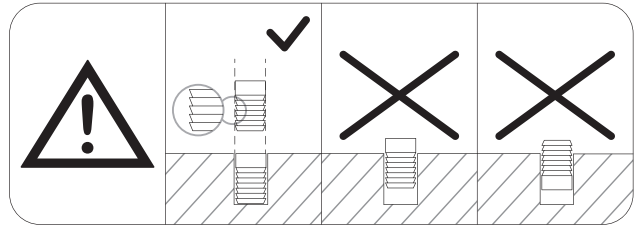
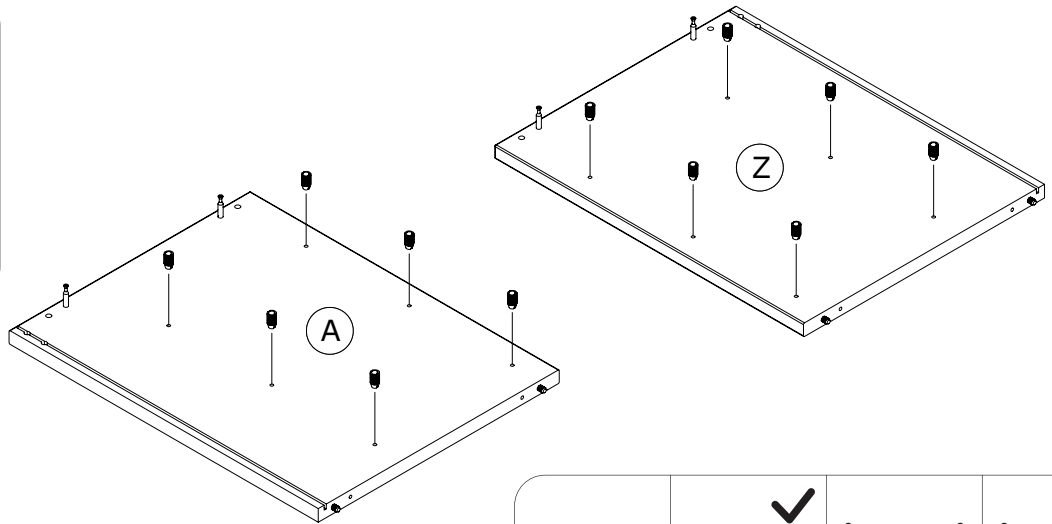
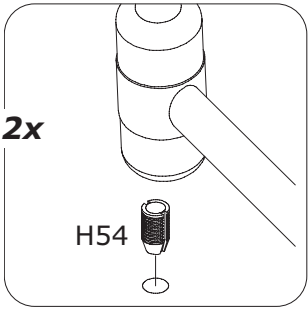


6

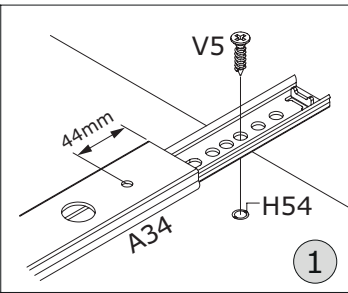
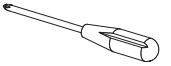


12x

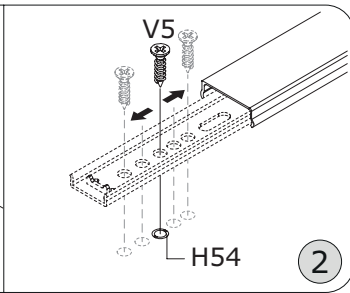
H54



7

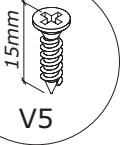


1



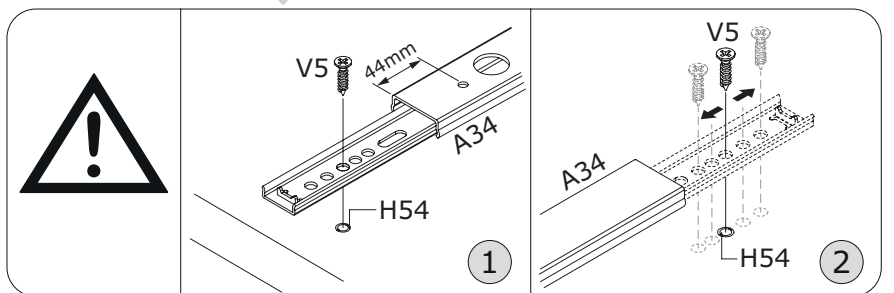
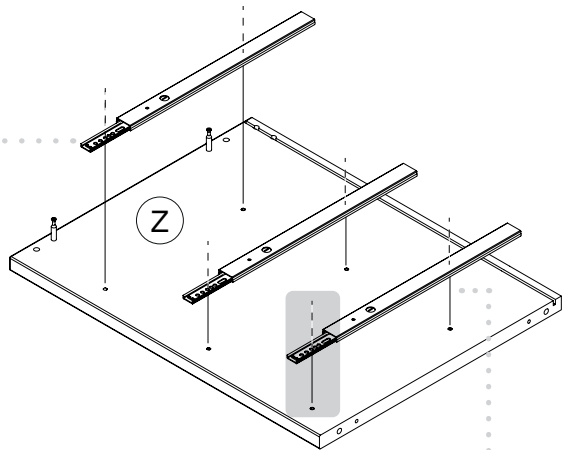
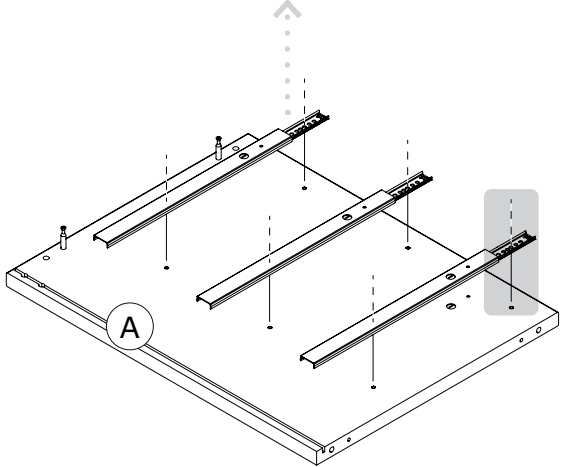
2

12x



15mm

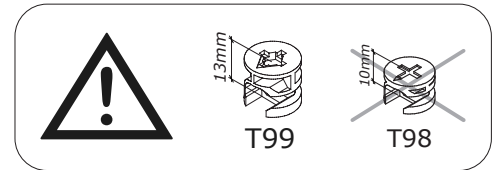
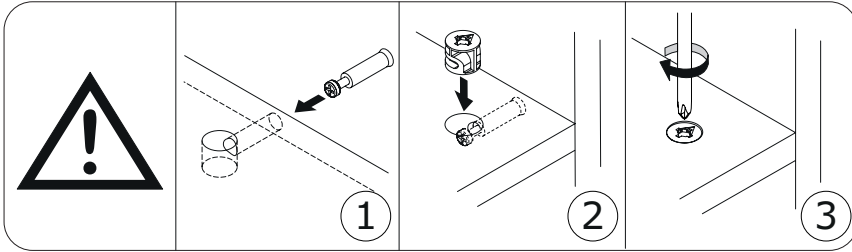
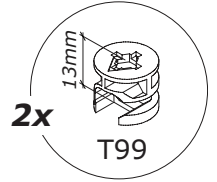
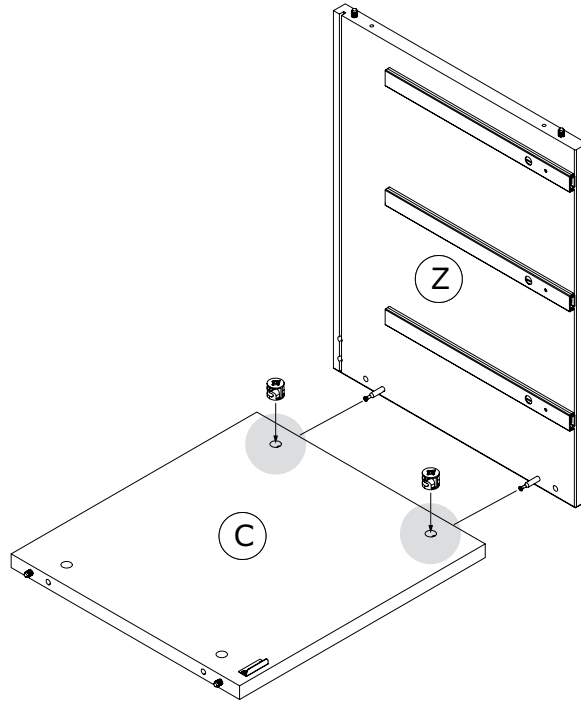
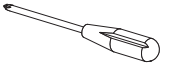
V5



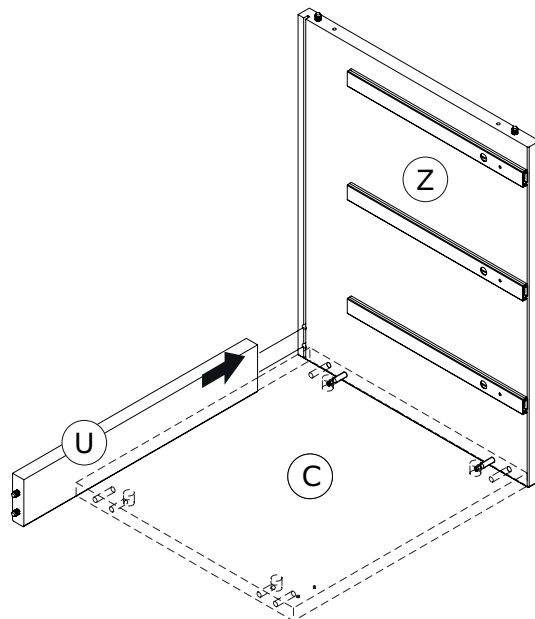
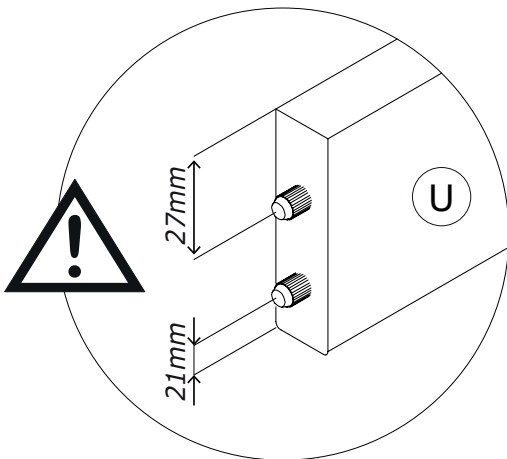
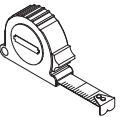
1

2

8

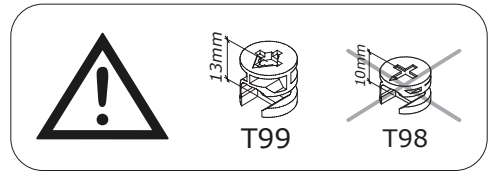
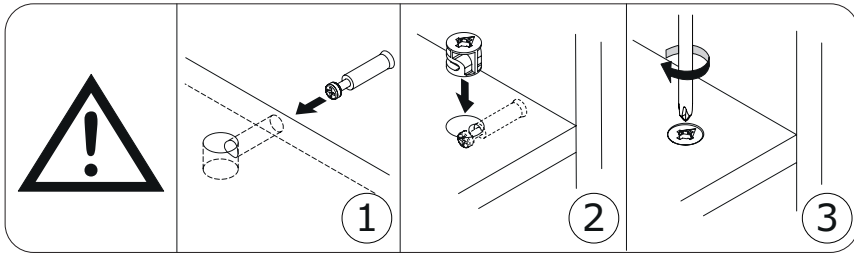
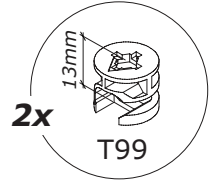
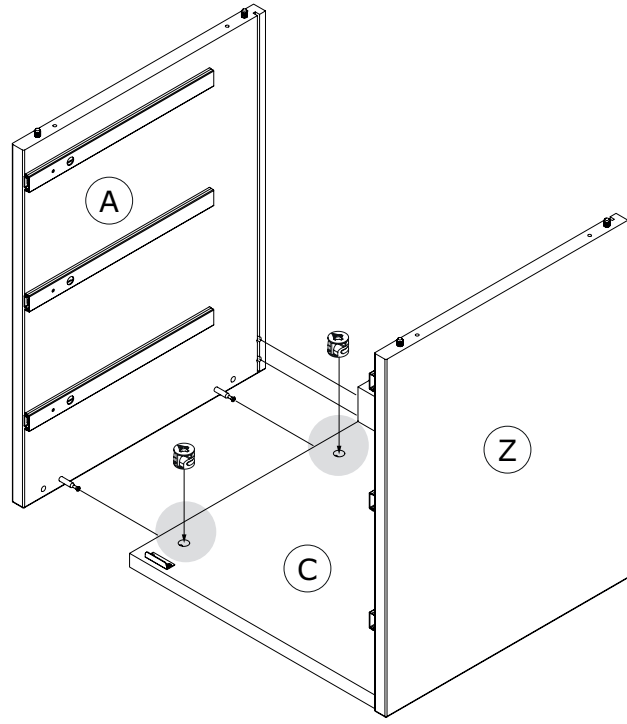
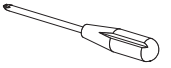


9

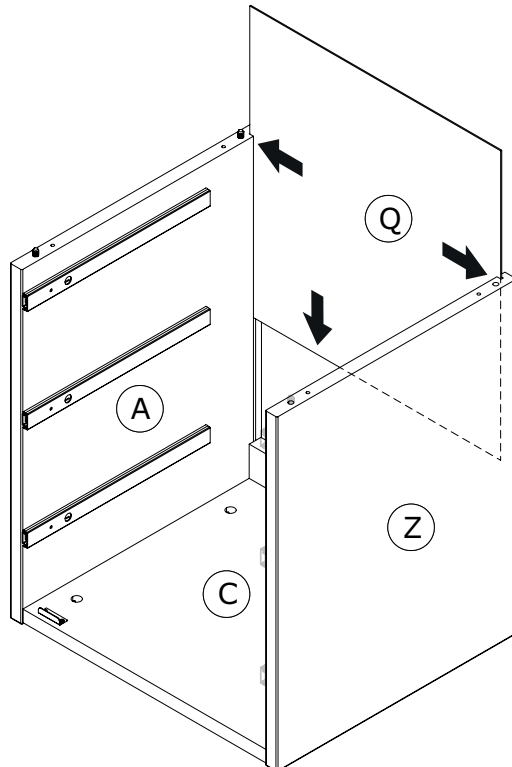




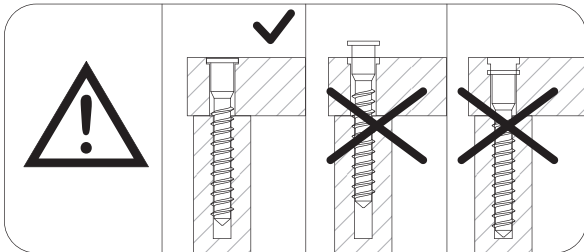
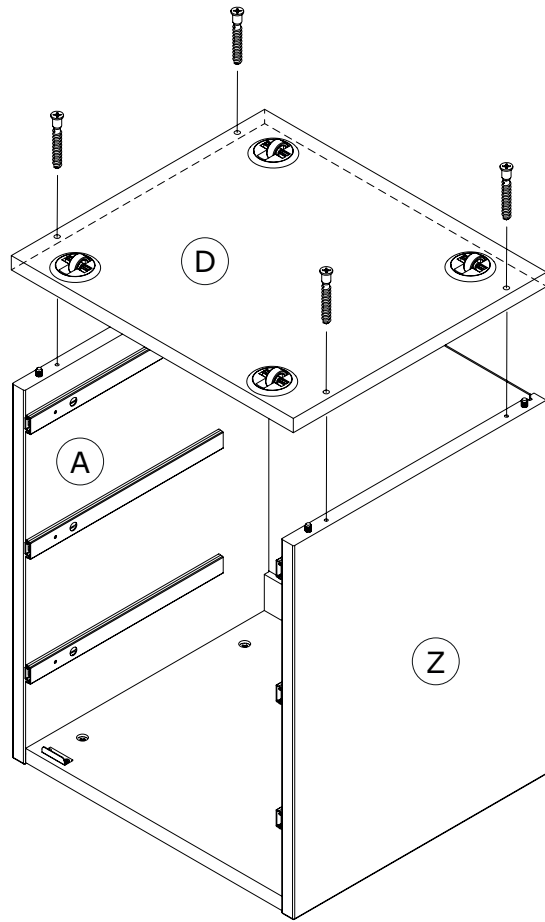
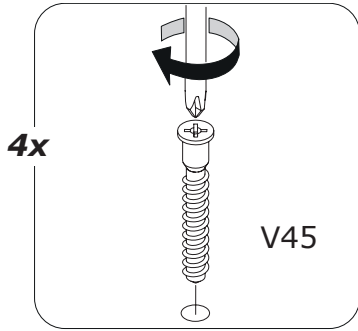
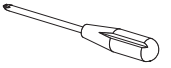
10



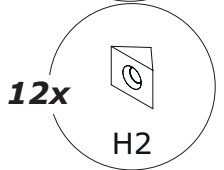
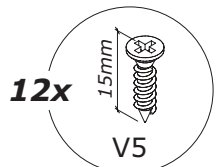
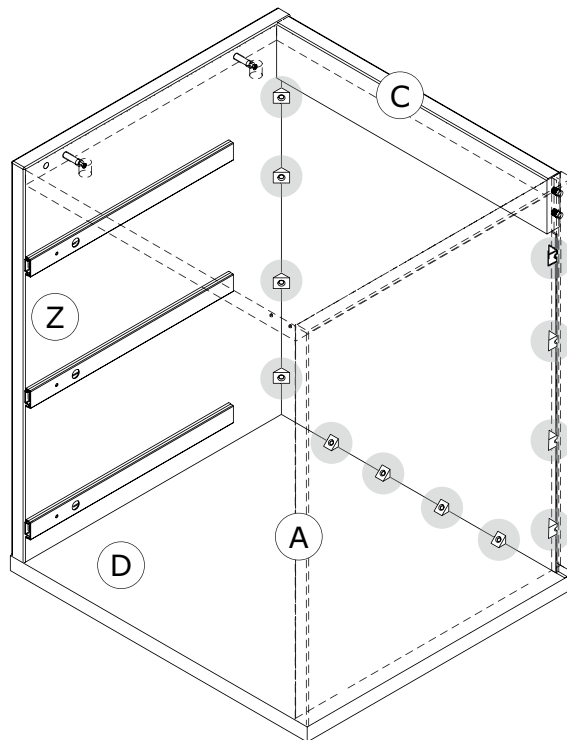
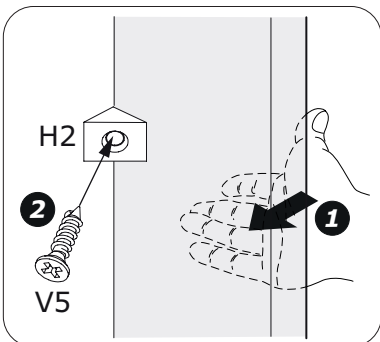
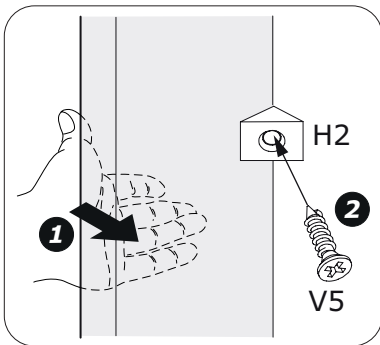
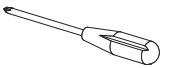
11



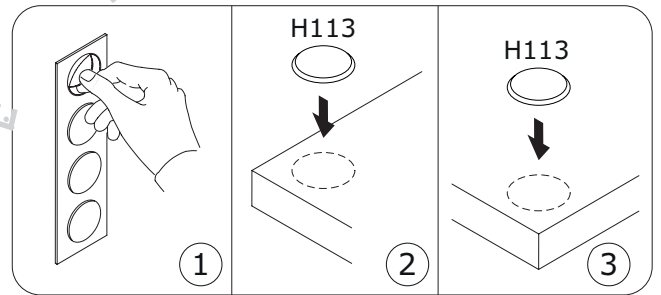
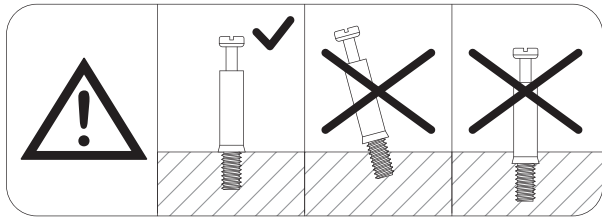
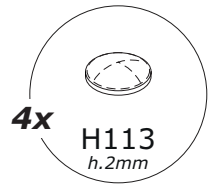
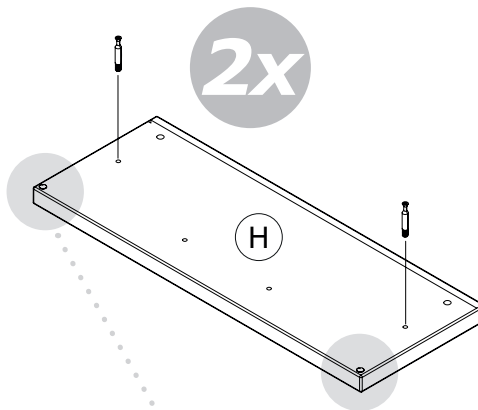
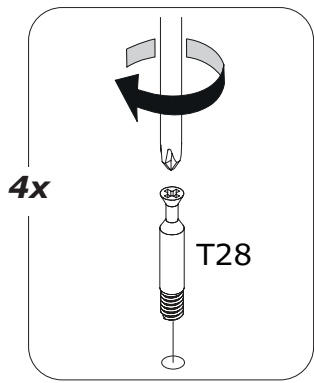
12



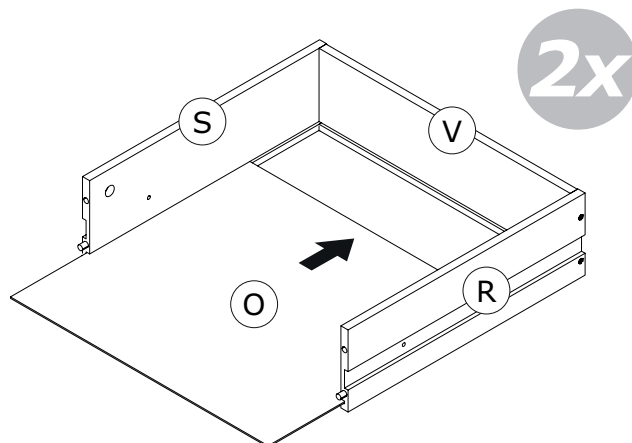
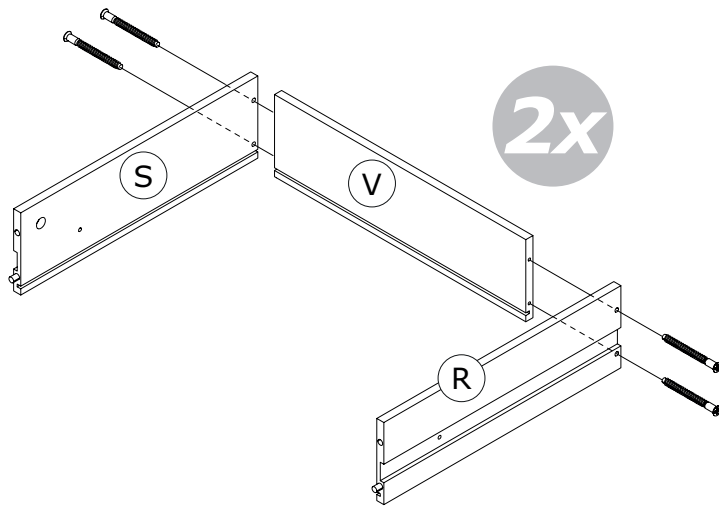
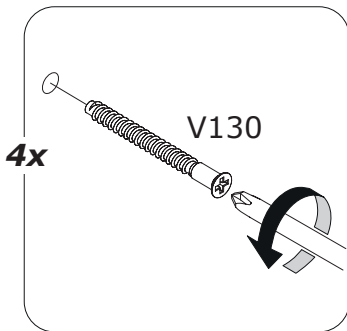
13



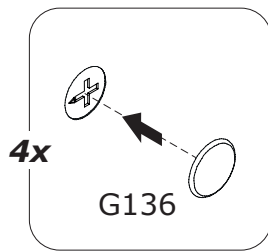
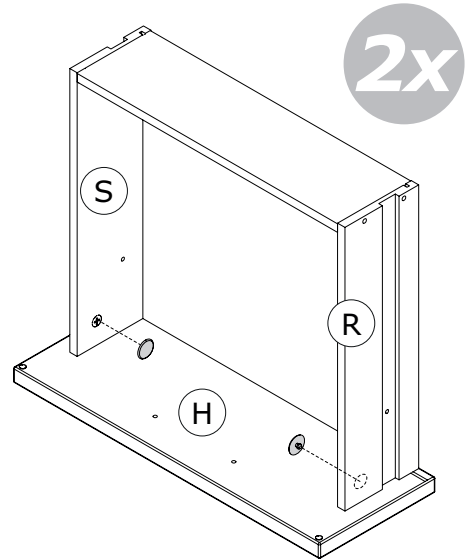
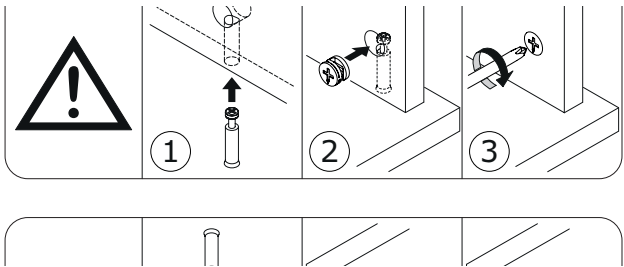
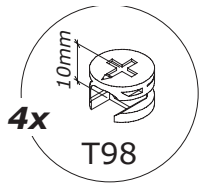
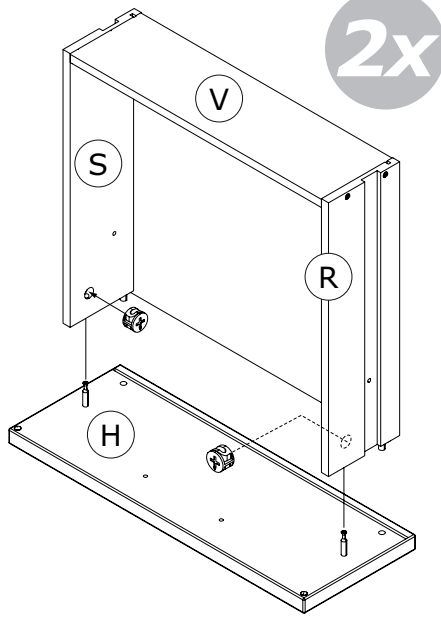
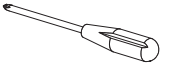
14



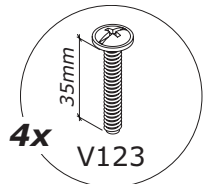
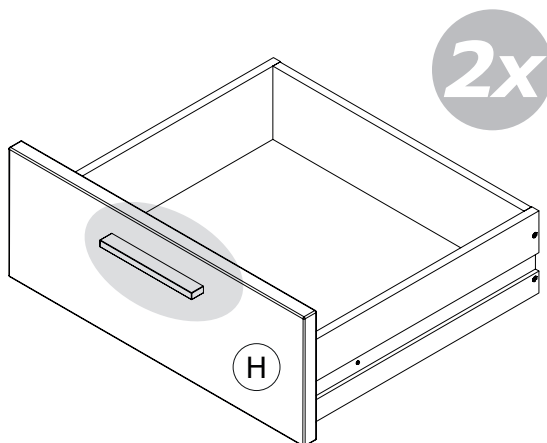
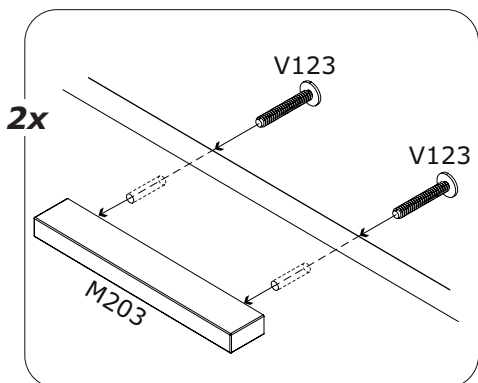
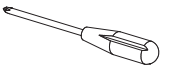
15



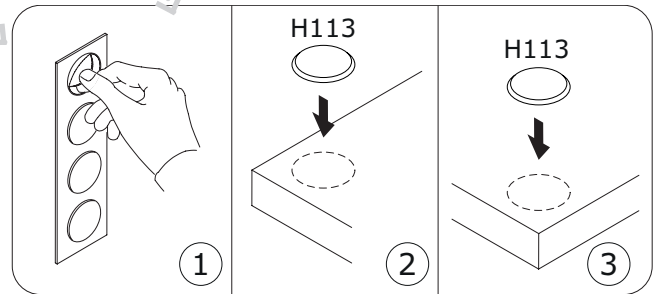
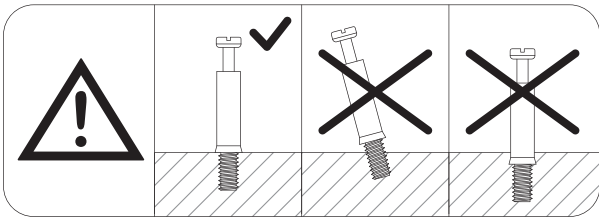
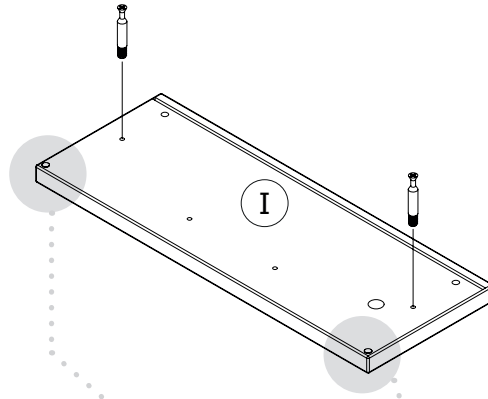
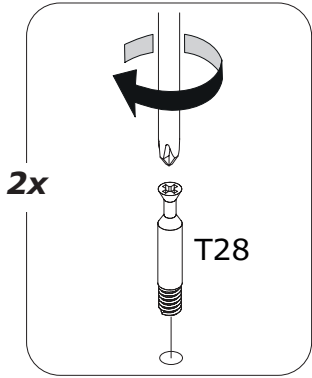
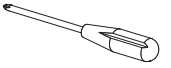
16



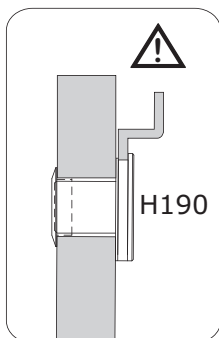
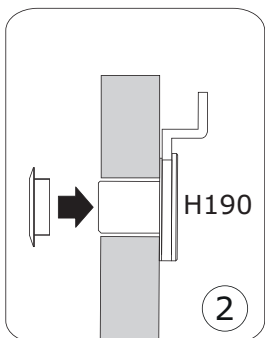
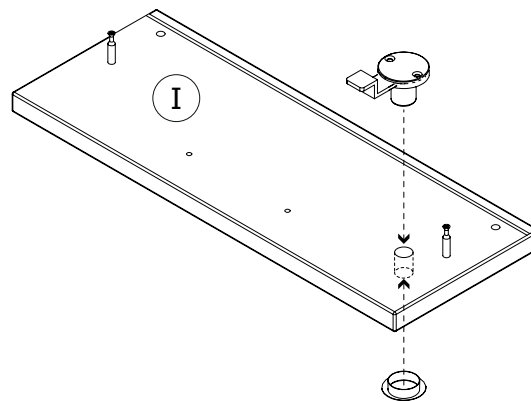
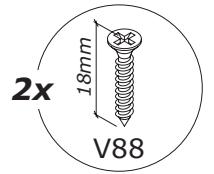
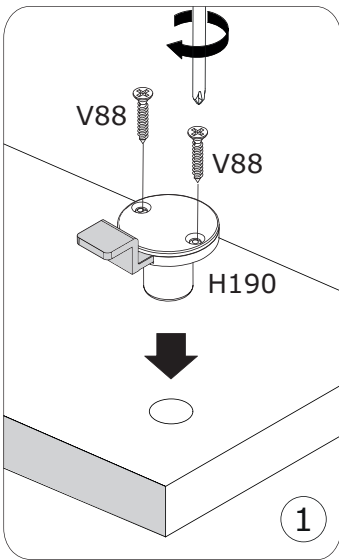
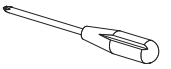
17



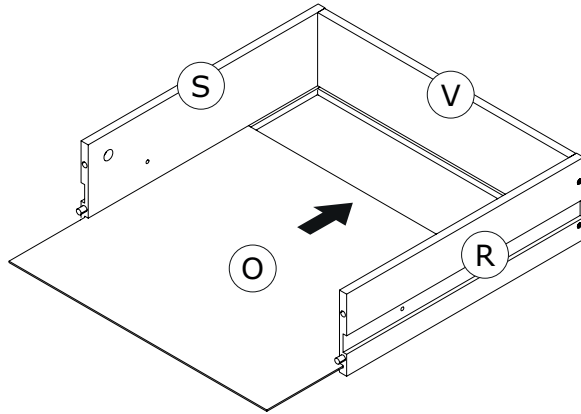
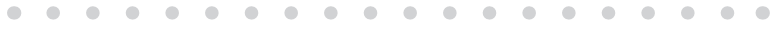
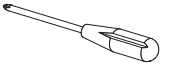
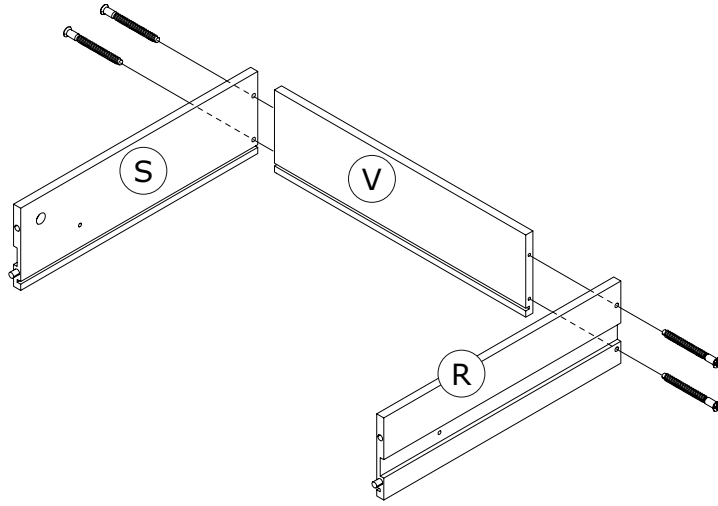
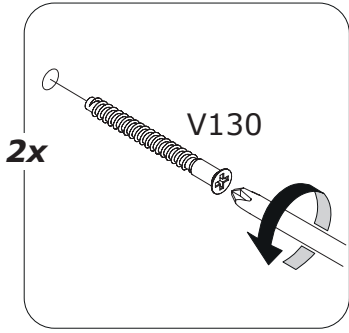
18



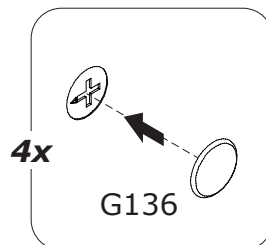
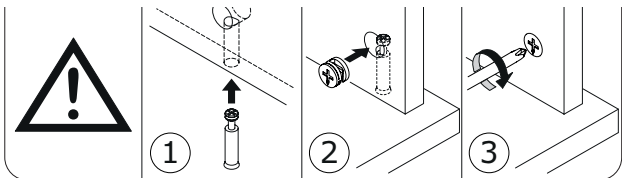
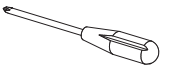
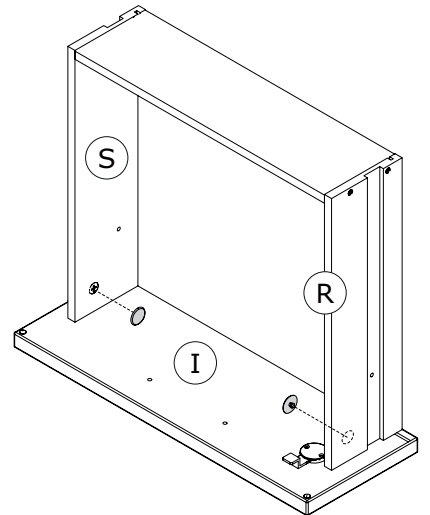
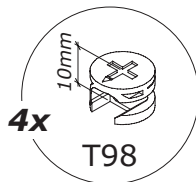
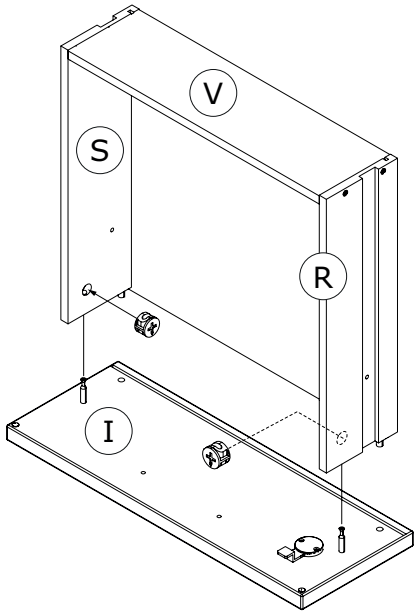
19



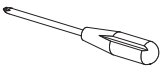
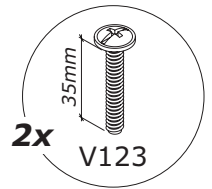
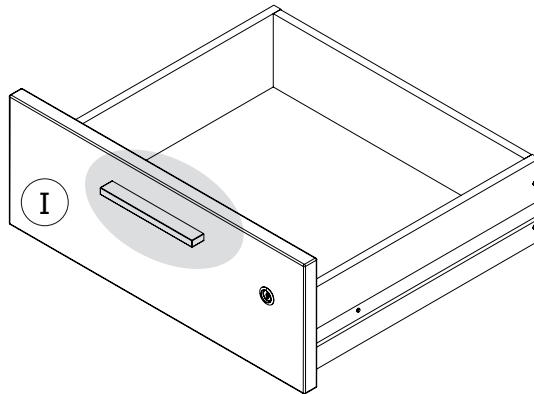
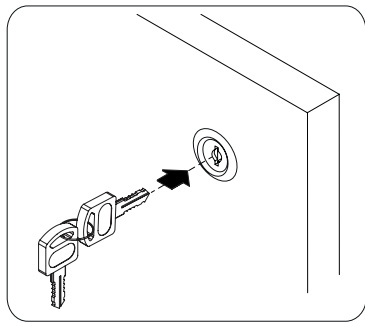
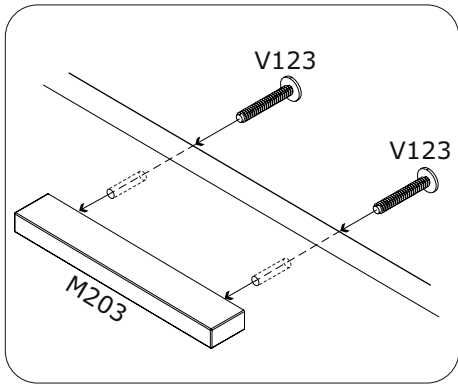
20



21



22



23

