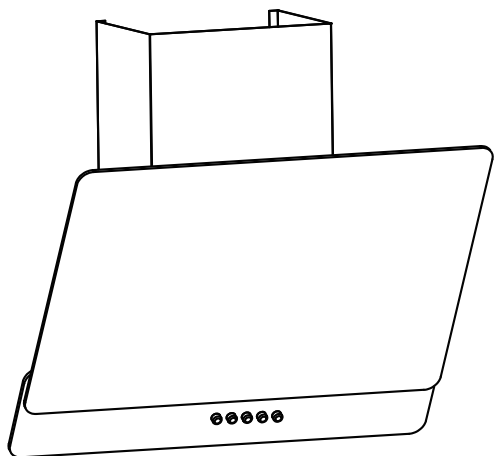


gorenje

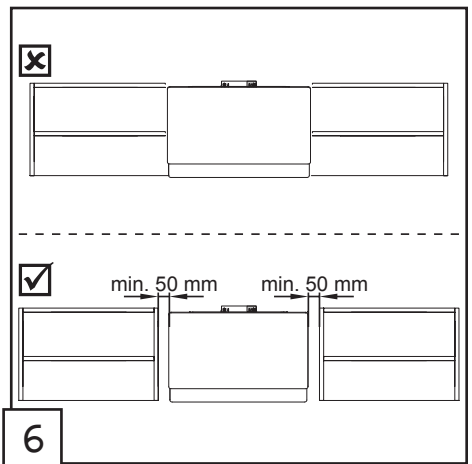
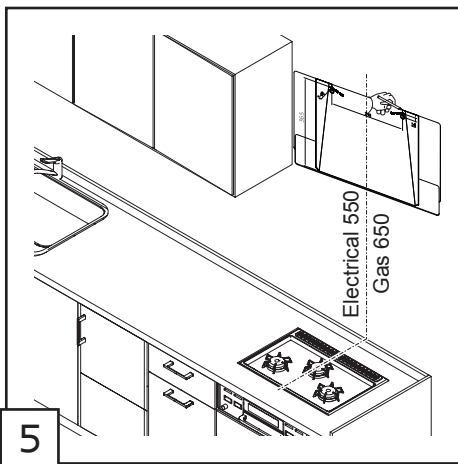
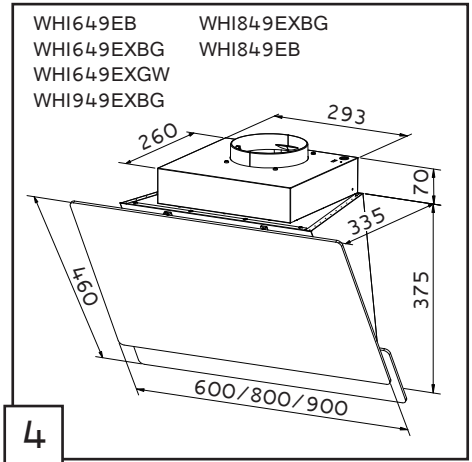
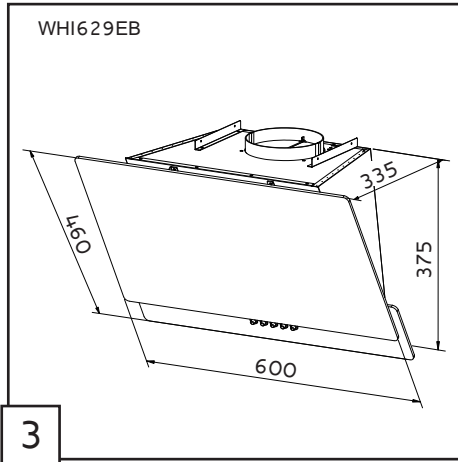
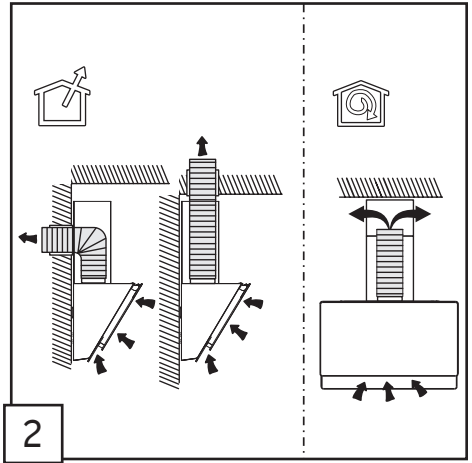
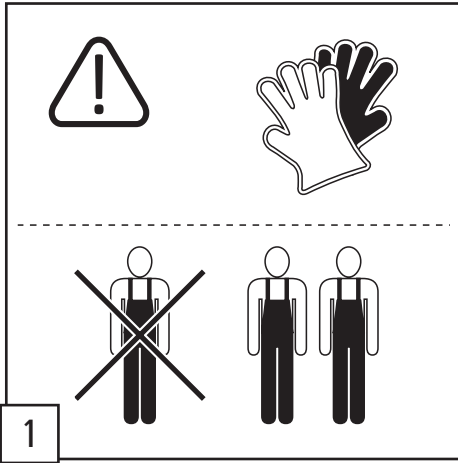


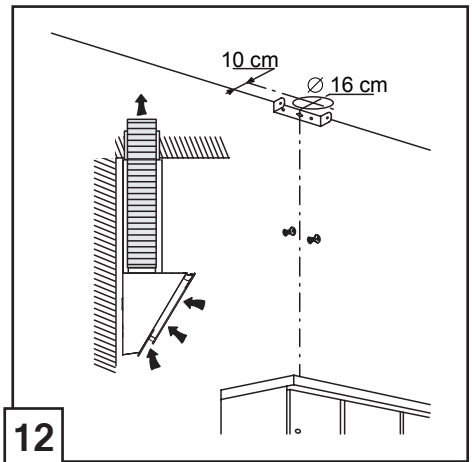
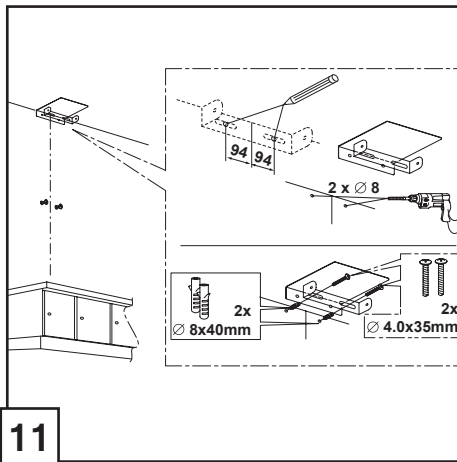
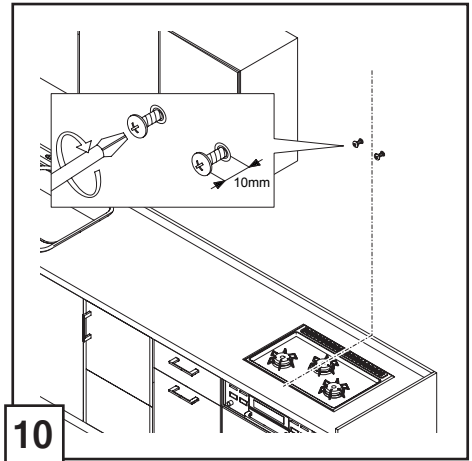
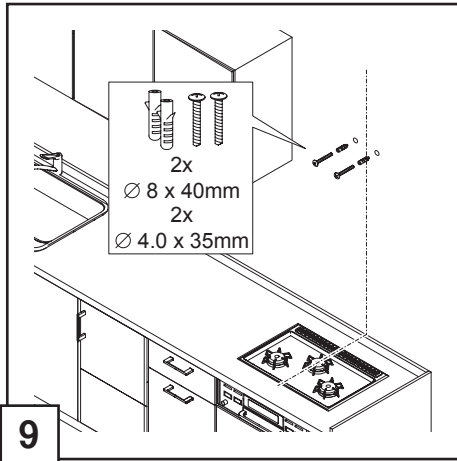
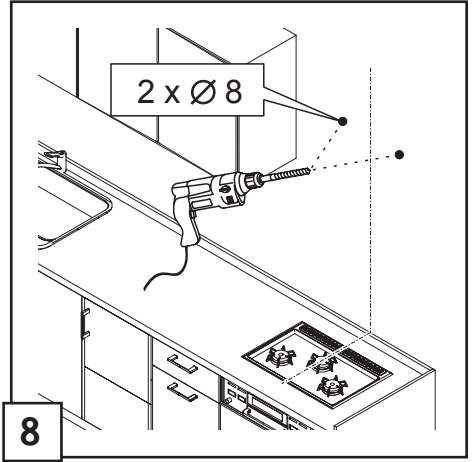
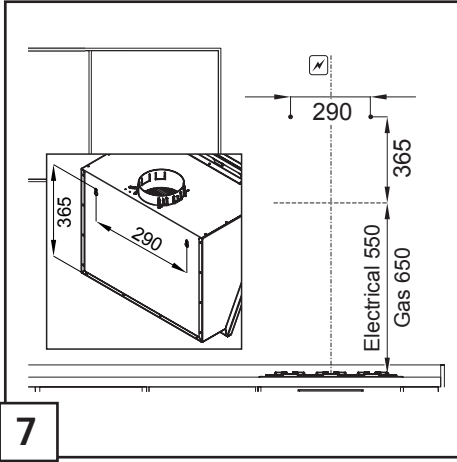
COOKER HOOD

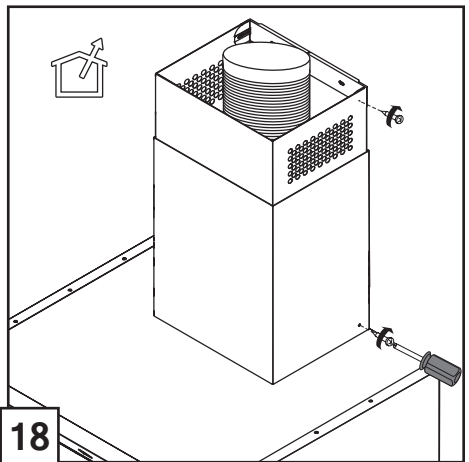
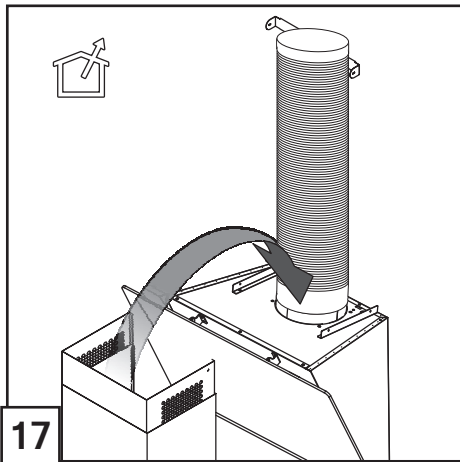
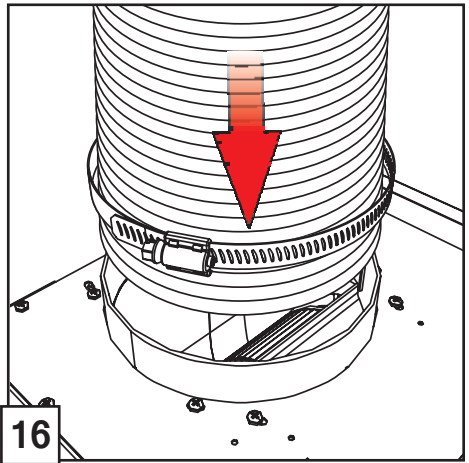
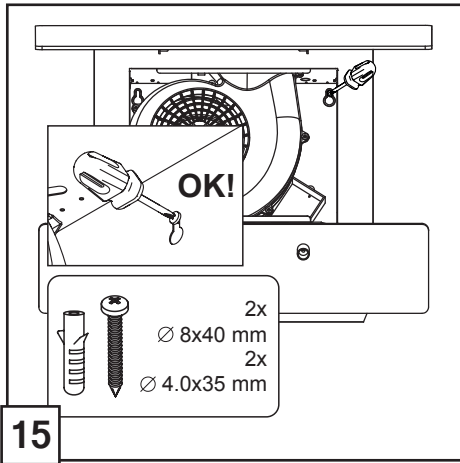
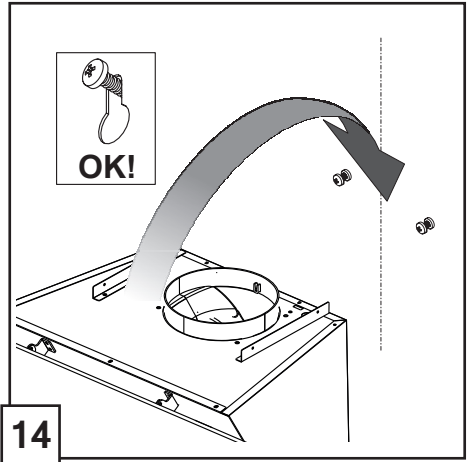
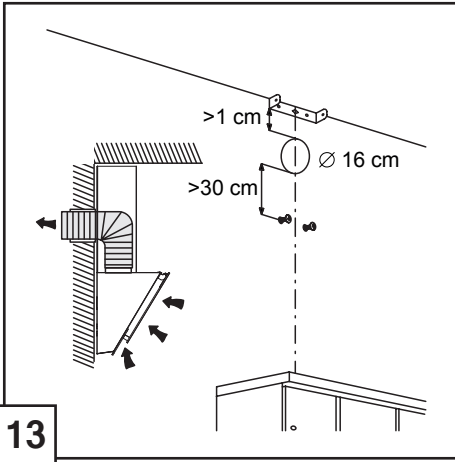
NB60E-L15B7	WHI649EB
NB60E-L15B7	WHI649EXBG
NB60E-L15B7	WHI649EXGW
NB80E-L15B7	WHI849EXBG
NB80E-L15B7	WHI849EB
NB90E-L15B7	WHI949EXBG
NB60A-L5B7	WHI629EB

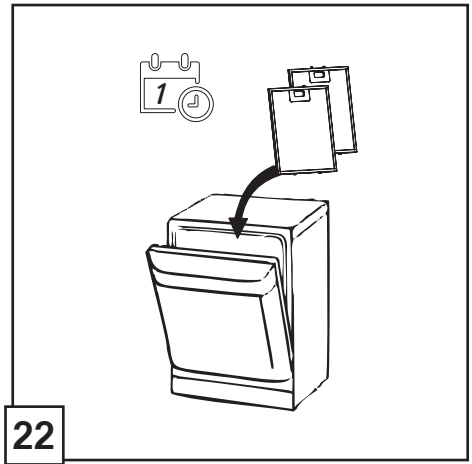
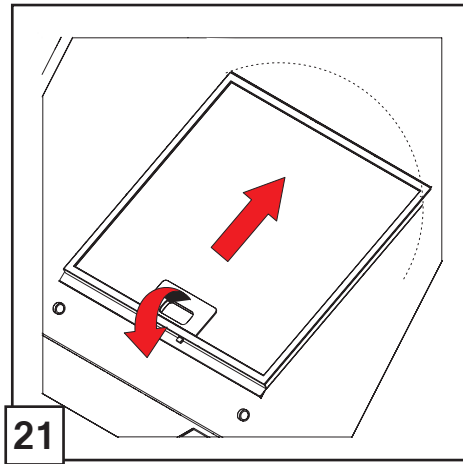
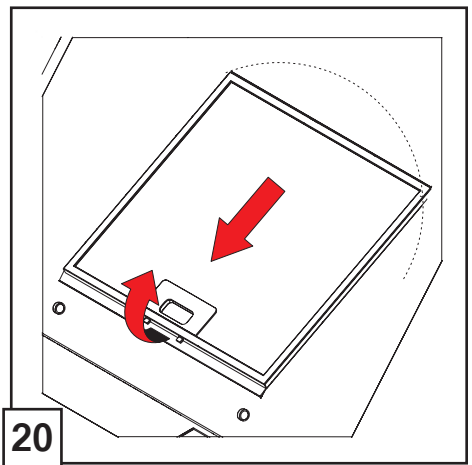
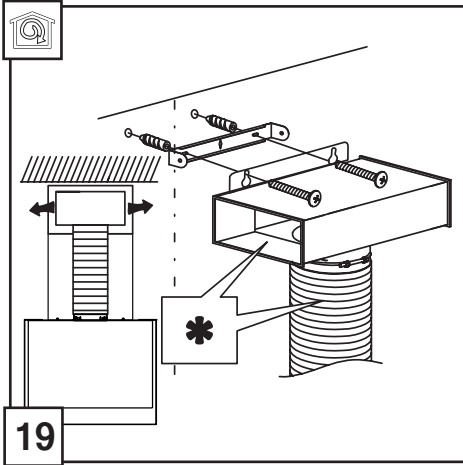
LANGUAGES

7	EN	COOKER HOOD
11	BG	АСПИРАТОР В АСПИРИРАЩА ВЕРСИЯ
15	CS	ODSAVAČ PAR
19	DA	EMHÆTTE
23	DE	DUNSTABZUGSHAUBE
27	EL	ΑΠΟΡΡΟΦΗΤΗΡΑΣ ΚΟΥΖΙΝΑΣ
31	ES	CAMPANA EXTRACTORA
35	ET	ÕHUPUHASTI
39	FI	LIESITUULETIN
43	FR	HOTTE
47	HR, BIH	KUHINJSKA NAPA
51	HU	ELSZÍVÓ
55	IT	CAPPA ASPIRANTE
59	KZ	СУЫРУ ҚАЛПАҒЫ
63	LT	GARŲ SURINKTUVAS
67	LV	GAISA NOSŪCĒJS
71	MK	АСПИРАТОР
75	NO	VENTILATOR
79	PL	OKAP WYCIĄGOWY
83	PT	EXAUSTOR
87	RO	HOTĂ ASPIRANTĂ
91	RU	КУХОННАЯ ВЫТЯЖКА
95	SK	ODSÁVAČ PARY
99	SL	KUHINJSKA NAPA
103	SR, BIH, MNE	KUHINJSKI ASPIRATOR
107	SV	KÖKSFLÄKT
111	UK	КУХОННА ВИТЯЖКА
115	AR	يہ طال ا طافش

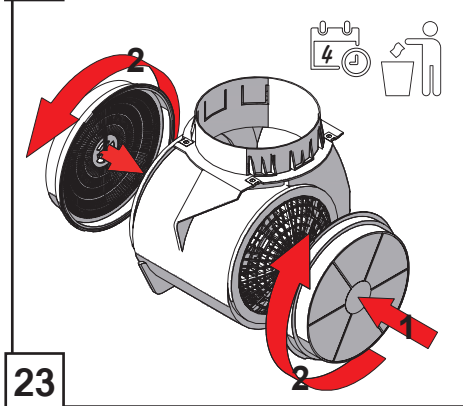




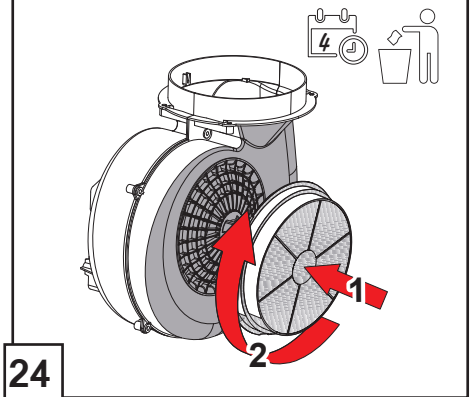




* depending on the model



* depending on the model



EN COOKER HOOD

Closely follow the instructions set out in this manual. All responsibility, for any eventual inconveniences, damages or fires caused by not complying with the instructions in this manual, is declined. The hood is conceived for the suction of cooking fumes and steam and is destined only for domestic use.

The hood can look different to that illustrated in the drawings in this booklet. The instructions for use, maintenance and installation, however, remain the same.

- ! It is important to conserve this booklet for consultation at any moment. In the case of sale, cession or move, make sure it is together with the product.
- ! Read the instructions carefully: there is important information about installation, use and safety.
- ! Do not carry out electrical or mechanical variations on the product or on the discharge conduits.
- ! Before proceeding with the installation of the appliance verify that there are no damaged all components. Otherwise contact your dealer and do not proceed with the installation.

Note: the elements marked with the symbol “(*)” are optional accessories supplied only with some models or elements to purchase, not supplied.



CAUTION WARNING!

- ! Do not connect the appliance to the mains until the installation is fully complete.
- ! Before any cleaning or maintenance operation, disconnect hood from the mains by removing the plug or disconnecting the mains electrical supply.
- ! Always wear work gloves for all installation and maintenance operations.
- ! The appliance is not intended for use by children or persons with impaired physical, sensorial or mental faculties, or if lacking in experience or knowledge, unless they are under supervision or have been trained in the use of the appliance by a person responsible for their safety.
- ! This appliance is designed to be operated by adults, children should be monitored to ensure that they do not play with the appliance.
- ! This appliance is designed to be operated by adults. Children should not be allowed to tamper with the controls or play with the appliance.
- ! Never use the hood without effectively mounted grating!
- ! The hood must NEVER be used as a support surface unless specifically indicated.
- ! The premises where the appliance is installed must be sufficiently ventilated, when the kitchen hood is used together with other gas combustion devices or other fuels.
- ! The ducting system for this appliance must not be connected to any existing ventilation system which is being used for any other purpose such as discharging exhaust fumes from appliances burning gas or other fuels.
- ! The flaming of foods beneath the hood itself is severely prohibited.
- ! The use of exposed flames is detrimental to the filters and may cause a fire risk, and must therefore be avoided in all circumstances.
- ! Any frying must be done with care in order to make sure that the oil does not overheat and ignite.
- ! Accessible parts of the hood may become hot when used with cooking appliance.
- ! With regards to the technical and safety measures to be adopted for fume discharging it is important to closely follow the regulations provided by the local authorities.
- ! The hood must be regularly cleaned on both the inside and outside (AT LEAST ONCE A MONTH).
- ! This must be completed in accordance with the maintenance instructions provided in this manual). Failure to follow the instructions provided in this user guide regarding the cleaning of the hood and filters will lead to the risk of fires.
- ! Do not use or leave the hood without the lamp correctly mounted due to the possible risk of electric shocks.
- ! We will not accept any responsibility for any faults, damage or fires caused to the appliance as a result of the nonobservance of the instructions included in this manual.
- ! This appliance is marked according to the European directive 2002/96/EC on Waste Electrical and Electronic Equipment (WEEE). By ensuring this product is disposed of correctly, you will help prevent potential negative consequences for the environment and human health, which could otherwise be caused by inappropriate waste handling of this product.



The symbol on the product, or on the documents accompanying the product, indicates that this appliance may not be treated as household waste. Instead it should be taken to the appropriate collection point for the recycling of electrical and electronic equipment. Disposal must be carried out in accordance with local environmental regulations for waste disposal.

For further detailed information regarding the process, collection and recycling of this product, please contact the appropriate department of your local authorities or the local department for household waste or the shop where you purchased this product.

Appliance designed, tested and manufactured according to:

- **Safety:** EN/IEC 60335-1; EN/IEC 60335-2-31, EN/IEC 62233.
- **Performance:** EN/IEC 61591; ISO 5167-1; ISO 5167-3; ISO 5168; EN/IEC 60704-1; EN/IEC 60704-2-13; ISO 3741; EN 50564; IEC 62301.
- **EMC:** EN 55014-1; CISPR 14-1; EN 55014-2; CISPR 14-2; EN/IEC 61000-3-2; EN/IEC 61000-3-3.

Suggestions for a correct use in order to reduce the environmental impact: Switch ON the hood at minimum speed when you start cooking and kept it running for few minutes after cooking is finished. Increase the speed only in case of large amount of smoke and vapour and use boost speed(s) only in extreme situations. Replace the charcoal filter(s) when necessary to maintain a good odour reduction efficiency. Clean the grease filter(s) when necessary to maintain a good grease filter efficiency. Use the maximum diameter of the ducting system indicated in this manual to optimize efficiency and minimize noise.

Additional Installation Specifications:

Use only the fixing screws supplied with the product for installation or, if not supplied, purchase the correct screws type.

Use the correct length for the screws which are identified in the Installation Guide.

In case of doubt, consult an authorised service assistance centre or similar qualified person.

WARNING! Failure to install the screws or fixing device in accordance with these instructions may result in electrical hazards.

USE

The hood is designed to be used either for exhausting or filter version.



Ducting version

In this case the fumes are conveyed outside of the building by means of a special pipe connected with the connection ring located on top of the hood.

Attention! The exhausting pipe is not supplied and must be purchased apart.

Diameter of the exhausting pipe must be equal to that of the connection ring.

In the horizontal runs the exhausting pipe must be slightly slanted (about 10°) and directed upwards to vent the air easily from the room to the outside.

Attention! If the hood is supplied with active charcoal filter, then it must be removed.

Connect the hood and discharge holes on the walls with a diameter equivalent to the air outlet (connection flange).

Using the tubes and discharge holes on walls with smaller dimensions will cause a diminution of the suction performance and a drastic increase in noise.

Any responsibility in the matter is therefore declined.

- ! Use a duct of the minimum indispensable length.
- ! Use a duct with as few elbows as possible (maximum elbow angle: 90°).
- ! Avoid drastic changes in the duct cross-section.
- ! Use a duct as smooth as possible inside.
- ! The duct must be made of certified material.



Filter version

One active charcoal filter is needed for this and can be obtained from your usual retailer.

The filter removes the grease and smells from the extracted air before sending it back into the room through the upper outlet grid.

INSTALLATION

The minimum distance between the supporting surface for the cooking equipment on the hob and the lowest part of the range hood must be not less than 55cm from electric cookers and 65cm from gas or mixed cookers.

If the instructions for installation for the gas hob specify a greater distance, this must be adhered to.



Electrical connection

The mains power supply must correspond to the rating indicated on the plate situated inside the hood. If provided with a plug connect the hood to a socket in compliance with current regulations and positioned in an accessible area, after installation. If it not fitted with a plug (direct mains connection) or if the plug is not located in an accessible area, after installation, apply a double pole switch in accordance with standards which assures the complete disconnection of the mains under conditions relating to over-current category III, in accordance with installation instructions.

Warning! Before re-connecting the hood circuit to the mains supply and checking the efficient function, always check that the mains cable is correctly assembled.

Mounting

Very heavy product; hood handling and installation must be carried out by at least two persons.

Before beginning installation:

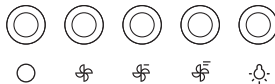
- Check that the product purchased is of a suitable size for the chosen installation area.
- Remove the charcoal (*) filter/s if supplied (see also relative paragraph). This/these is/are to be mounted only if you want to use the hood in the filtering version.
- Check (for transport reasons) that there is no other supplied material inside the hood (e.g. packets with screws (*), guarantees (*), etc.), eventually removing them and keeping them.
- If possible, disconnect and move freestanding or slide-in range from cabinet opening to provide easier access to rear wall/ceiling. Otherwise put a thick, protective covering over countertop, cooktop or range to protect from damage and debris. Select a flat surface for assembling the unit. Cover that surface with a protective covering and place all canopy hood parts and hardware in it.
- In addition check whether near the installation area of the hood (in the area accessible also with the hood mounted) an electric socket is available and it is possible to connect a fumes discharge device to the outside (only suction version).
- Carry out all the masonry work necessary (e.g. installation of an electric socket and/or a hole for the passage of the discharge tube).

Expansion wall plugs are provided to secure the hood to most types of walls/ceilings. However, a qualified technician must verify suitability of the materials in accordance with the type of wall/ceiling. The wall/ceiling must be strong enough to take the weight of the hood. **Do not tile, grout or silicone this appliance to the wall. Surface mounting only.**

OPERATION

Use the high suction speed in cases of concentrated kitchen vapors. It is recommended that the cooker hood suction is switched on for 5 minutes prior to cooking and to leave in operation during cooking and for another 15 minutes approximately after terminating cooking.

Mechanical controls



⏻ Press the Light button to switch the light ON. Press again to switch the light OFF.

⚙️ Press the Speed 1 button to start the motor with speed 1.

⚙️ Press the Speed 2 button to start the motor with speed 2.

⚙️ Press the Speed 3 button to start the motor with speed 3.

○ Press the Switch Off button to switch off the motor.

Touch controls



When the hood is connected to power supply, the hood will be in standby mode and only On/Off button and Light button will be semi illuminated. Buttons from Speed 1-3 are not illuminated and not possible to select.

⏻ Press the On/Off button to start selecting the motor speeds. When On/Off button is selected, Speed 1-3 are semi illuminated.

⚙️ Press the Speed 1 button to start the motor with speed 1.

⚙️ Press the Speed 2 button to start the motor with speed 2.

⚙️ Press the Speed 3 button to start the motor with speed 3.

⏻ Press the Light button to switch the light ON. Press again to switch the light OFF.

MAINTENANCE

ATTENTION! Before performing any maintenance operation, isolate the hood from the electrical supply by switching off at the connector and removing the connector fuse.

Or if the appliance has been connected through a plug and socket, then the plug must be removed from the socket.

Cleaning

The cooker hood should be cleaned regularly (at least with the same frequency with which you carry out maintenance of the fat filters) internally and externally. Clean using the cloth dampened with neutral liquid detergent. Do not use abrasive products. **DO NOT USE ALCOHOL!** **WARNING:** Failure to carry out the basic cleaning recommendations of the cooker hood and replacement of the filters may cause fire risks. Therefore, we recommend observing these instructions.

The manufacturer declines all responsibility for any damage to the motor or any fire damage linked to inappropriate maintenance or failure to observe the above safety recommendations.

Grease filter

Traps cooking grease particles.

The **grease filter** must be cleaned once a month using non aggressive detergents, either by hand or in the dishwasher, which must be set to a low temperature and a short cycle. When washed in a dishwasher, the grease filter may discolour slightly, but this does not affect its filtering capacity.

To remove the grease filter, pull the spring release handle.

Charcoal filter (filter version only)

It absorbs unpleasant odours caused by cooking.

The saturation of the **charcoal filter** occurs after more or less prolonged use, depending on the type of cooking and the regularity of cleaning of the grease filter.

In any case it is necessary to replace the cartridge at least every four months.

The charcoal filter may NOT be washed or regenerated.

Circular carbon filter

Apply one on each side as cover to both the shield grids of the motor impeller, then turn clockwise.

For the disassembly, turn counter-clockwise.

Replacing lamps

The hood is equipped with a lighting system based on LED technology.

The LEDs guarantee an optimum lighting, a duration up to 10 times as long as the traditional lamps and allow to save 90% electrical energy.

In case of malfunction of the illumination system contact the technical service.

ВГ АСПИРАТОР В АСПИРИРАЩА ВЕРСИЯ

Следвайте стриктно инструкциите в това ръководство. Не носим отговорност за възникнали неудобства, щети или пожари, причинени от неспазване на инструкциите в това ръководство. Аспираторът е създаден за отвеждане на пушеци и пара, възникващи в процеса на готвене, и е предназначен само за домашна употреба.

Аспираторът може да изглежда по различен начин спрямо илюстрациите в това ръководство. Инструкциите за употреба, поддръжка и монтаж обаче остават същите.

- ! Важно е да съхраните тази книжка за консултация във всеки един момент. В случай на продажба, прехвърляне или преместване, се уверете, че тя придружава продукта.
- ! Прочетете инструкциите внимателно: те съдържат важна информация относно монтажа, употребата и безопасността.
- ! Не извършвайте никакви електрически или механични промени по продукта или отвеждащите тръби.
- ! Преди да започнете монтажа на уреда, се уверете, че няма повредени компоненти. В противен случай уведомете своя дилър и не започвайте монтаж.

Забележка: Елементите, маркирани със символа “(*)”, са опционални аксесоари, предоставяни само с някои модели, или елементи, които не са предоставени и трябва да бъдат закупени.



ВНИМАНИЕ **ПРЕДУПРЕЖДЕНИЕ!**

- ! Не свързвайте уреда към електрическата мрежа, докато монтажът не е изцяло завършен.
- ! Преди почистване или поддръжка изключете аспиратора от електрическата мрежа, като извадите щепсела или прекъснете електрическото захранване.
- ! Винаги носете работни ръкавици при извършване на дейности по монтажа или поддръжката.
- ! Уредът не е предназначен за употреба от деца или лица с намалени физически, сетивни или умствени способности или без опит и познания, освен ако не са наблюдавани или инструктирани относно употребата на уреда от лице, отговорно за тяхната безопасност.
- ! Този уред е предназначен за ползване от възрастни. Децата трябва да бъдат наглеждани, за да се уверите, че не си играят с уреда.
- ! Този уред е предназначен за ползване от възрастни. Не позволявайте на децата за пипат бутоните за управление или да си играят с уреда.
- ! Никога не използвайте аспиратора без ефективно монтирана решетка!
- ! Аспираторът НИКОГА не трябва да се използва като опорна повърхност, освен ако не е изрично указано.
- ! Помещенията, в които се монтира уредът, трябва да бъдат с достатъчно добра вентилация, когато кухненският аспиратор се използва заедно с други уреди, работещи с газ или други горива.
- ! Тръбопроводната система на този уред не трябва да бъде свързвана към друга съществуваща вентилационна система, която се използва за друга цел като отвеждане на дима от уреди, работещи с газ или други горива.
- ! Фламбирането на храни под самия аспиратор е строго забранено.
- ! Откритите пламъци са вредни за филтрите и могат да причинят риск от пожар, затова трябва да бъдат избягвани при всякакви обстоятелства.
- ! Всяко пържене трябва да бъде извършвано внимателно, за да е сигурно, че мазнатина няма да прегрее и да се запали.
- ! Достъпните части на аспиратора могат да се нагорещат при работа с готварски уреди.
- ! С оглед на техническите и предпазните мерки, които трябва да бъдат приложени за отвеждането на дима, е важно да се следват строго разпоредбите на местните власти.
- ! Аспираторът трябва да бъде редовно почистван както отвътре, така и отвън (НАЙ-МАЛКО ВЕДНЪЖ МЕСЕЧНО).
- ! Това трябва да се извършва в съответствие с инструкциите за поддръжка, предоставени в това ръководство. Неспазването на инструкциите, предоставени в това ръководство на потребителя, относно почистването на аспиратора и филтрите, ще доведе до риск от пожар.
- ! Не използвайте и не оставяйте аспиратора без правилно монтирана лампа поради възможния риск от токов удар.
- ! Ние не носим отговорност за никакви повреди, щети или пожари, причинени на уреда, в резултат на неспазване на инструкциите, включени в това ръководство.
- ! Този уред има маркировка съгласно европейска директива 2002/96/ЕО относно изхвърлянето на използвано електрическо и електронно оборудване (WEEE). Като предадете този продукт на правилното място, вие ще помогнете за предотвратяване на негативните последици за околната среда и човешкото здраве, които биха възникнали при изхвърлянето му на неподходящо място.



Символът върху уреда или върху върху документите, придружаващи продукта, указва, че този уред не трябва да се третира като битов отпадък. Вместо това той трябва да бъде предаден в съответния събирателен пункт за рециклиране на електрически и електронни уреди. Изхвърлянето трябва да се извършва в съответствие с местните екологични разпоредби за изхвърляне на излезли от употреба уреди.

За допълнителна информация относно обработването, събирането и рециклирането на този продукт, моля, обърнете се към съответния отдел на вашите местни власти, към местната служба за битови отпадъци или към магазина, от който сте закупили този продукт.

Уредът е проектиран, тестван и произведен съгласно:

- **Безопасност:** EN/IEC 60335-1; EN/IEC 60335-2-31, EN/IEC 62233.
- **Експлоатационни показатели:** EN/IEC 61591; ISO 5167-1; ISO 5167-3; ISO 5168; EN/IEC 60704-1; EN/IEC 60704-2-13; ISO 3741; EN 50564; IEC 62301.
- **Електромагнитна съвместимост:** EN 55014-1; CISPR 14-1; EN 55014-2; CISPR 14-2; EN/IEC 61000-3-2; EN/IEC 61000-3-3.

Предложения за правилна употреба за по-малко въздействие върху околната среда: Включвайте аспиратора на минимална степен, когато започвате да готвите, и го оставяйте да работи няколко минути след приключване на готвенето. Увеличавайте степента само в случай на голямо количество дим и пара и използвайте висока(и) степен(и) само в извънредни ситуации. Сменяйте филтъра/те с активен въглен, когато е необходимо, за да поддържате ефективното намаляване на миризмите. Почиствайте филтъра/те за мазнини, когато е необходимо, за да поддържате ефективното улавяне на мазнините. Използвайте максималния диаметър на тръбопроводната система, указан в това ръководство, за да оптимизирате ефективността и да минимизирате шума.

Допълнителни спецификации за монтаж:

Използвайте само фиксиращите винтове, предоставени с продукта за монтажа или, ако няма предоставени, купете правилен тип винтове. Използвайте винтове с правилна дължина, както е указано в ръководството за монтаж. В случай на съмнение се консултирайте с одобрен обслужващ център или подобно квалифицирано лице.

ПРЕДУПРЕЖДЕНИЕ! Ако не монтирате винтовете или фиксиращите елементи съгласно тези инструкции, има опасност от електрически удар.

УПОТРЕБА

Аспираторът е предназначен да бъде използван във версия за отвеждане или за филтриране.



Версия с тръбопровод

В този случай димът се отвежда извън сградата чрез специална тръба, свързана с пръстена, разположен в горната част на аспиратора.

Внимание! Отвеждащата тръба не се предоставя и трябва да бъде закупена отделно. Диаметърът на отвеждащата тръба трябва да бъде равен на този на свързващия пръстен.

В хоризонталните участъци отвеждащата тръба трябва да бъде леко под наклон (около 10°) и насочена нагоре, за да отвежда въздуха лесно от помещението навън.

Внимание! Ако аспираторът е оборудван с филтър с активен въглен, той трябва да бъде отстранен.

Свържете аспиратора и отвеждащите отвори в стените с диаметър, равен на отвора за въздух (свързващ фланец).

Използването на тръби и отвеждащи отвори в стените с по-малък диаметър ще намали ефективността на отвеждане и драстично ще увеличи шума.

Не носим отговорност за проблеми, свързани с неспазване на горното изискване.

! Използвайте тръбопровод с минималната задължителна дължина.

! Използвайте тръбопровод с възможно най-малък брой огъвания (максимален ъгъл на огъване: 90°).

! Избягвайте сериозни промени в напречното сечение на тръбопровода.

! Използвайте тръбопровод, максимално гладък от вътрешната страна.

! Тръбопроводът трябва да бъде от сертифициран материал.



Версия с филтър

За това е необходим един филтър с активен въглен и с него можете да се добиете от обичайния си търговец. Филтърът отстранява мазнините и миризмите от извлечения въздух, преди да го върне обратно в помещението през решетката на горния отвор.

МОНТАЖ

Минималното разстояние между опорната повърхност за готварското оборудване на плота и най-ниската част на аспиратора трябва да бъде не по-малко от 55 см за електрически готварски печки и не по-малко от 65 см за газови или комбинирани готварски печки.

Ако инструкциите за монтаж на газов плот изискват по-голямо разстояние, то трябва да бъде спазено.



Електрическо свързване

Електрическото захранване трябва да отговаря на стойностите, указани на табелката с производствени данни, разположена от вътрешната страна на аспиратора. Ако е предоставен щепсел, след монтажа свържете аспиратора с контакт, отговарящ на актуалните разпоредби, и разположен на достъпно място. Ако не е предоставен щепсел (директно свързване с електрическата мрежа) или ако контактът не е разположен на достъпно място, след монтажа поставете двуполусен прекъсвач в съответствие със стандартите, който осигурява пълно изключване от мрежата при условията, свързани с категория III за защита от свръх ток, съгласно инструкциите за монтаж.

Предупреждение!

Преди да свържете отново веригата на аспиратора към електрическата мрежа и да проверите ефективната ѝ работа, винаги проверявайте дали захранващият кабел е правилно свързан.

Монтаж

Много тежък продукт; боравенето и монтажът на аспиратора трябва да се извършват от поне две лица.

Преди началото на монтажа:

- Проверете дали закупеният продукт е с подходящ размер за избраното за монтажа място.
- Отстранете филтъра(ите) с активен въглен (*), ако е(са) предоставен(и) (вж. също съответния параграф). Той(те) трябва да се монтира(т), само ако искате да използвате аспиратора във версия с филтър.
- Проверете (по причини, свързани с транспорта) дали няма други предоставени материали вътре в аспиратора (напр. пакети с винтове (*), гаранции (*) и др.), отстранете ги и ги запазете.
- Ако е възможно, изключете и преместете свободностоящите или вградените уреди от шкафа, за да осигурите по-лесен достъп до задната стена/тавана.

В противен случай поставете дебело защитно покритие върху работния или готварския плот, за да го защитите от повреди или отломки. Изберете равна повърхност за съглобяване на уреда. Покрийте повърхността със защитно покритие и поставете всички части на аспиратора върху нея.

- Допълнително проверете дали има електрически контакт близо до мястото на монтажа (достъпен и след като аспираторът бъде монтиран) и дали е възможно да се свърже устройство за отвеждане на дима навън (само при версия с отвеждане).
- Извършете цялата необходима зидарска работа (напр. монтиране на електрически контакт и/или отвор за преминаване на отвеждащата тръба).

Предоставени са дюбели за закрепване на аспиратора към повечето типове стени/тавани. Въпреки това квалифициран техник трябва да провери пригодността на материалите в съответствие с типа стена/таван. Стената/таванът трябва да са достатъчно издръжливи да понесат теглото на аспиратора. **Не зазичдайте, не циментирайте и не закрепвайте със силикон уреда към стената. Разрешен е монтаж само на повърхността.**

РАБОТА НА УРЕДА

Използвайте отвеждане с висока степен само в случаи на концентрирани пари. Препоръчително е да включвате отвеждането 5 минути преди готвене и да оставяте аспиратора да работи още около 15 минути след приключване на готвенето.

Механични бутони



☺: Натиснете бутона с обозначение за светлина, за да включите осветлението. За да изключите осветлението, го натиснете отново.

☺: Натиснете бутона за скорост 1, за да включите мотора на първа скорост.

☺: Натиснете бутона за скорост 2, за да включите мотора на втора скорост.

☺: Натиснете бутона за скорост 3, за да включите мотора на трета скорост.

○ Натиснете бутона за изключване, за да спрете мотора.

Сензорни бутони



Когато аспираторът е свързан с електрическата мрежа, той ще бъде в режим на готовност и само бутоните за включване/изключване и за осветление ще бъдат полусветени. Бутоните за скорост 1-3 няма да бъдат осветени и не е възможно да бъдат избрани.

⏻ Натиснете бутона за включване/изключване, за да изберете скоростта на мотора. Когато е избран бутонът за включване/изключване, бутоните за скорост 1-3 са полусветени.

☺ Натиснете бутона за скорост 1, за да включите мотора на първа скорост.

☺ Натиснете бутона за скорост 2, за да включите мотора на втора скорост.

☺ Натиснете бутона за скорост 3, за да включите мотора на трета скорост.

☺: Натиснете бутона с обозначение за светлина, за да включите осветлението. За да изключите осветлението, го натиснете отново.

ПОДДРЪЖКА

ВНИМАНИЕ! Преди каквато и да било дейност по поддръжката, изключете аспиратора от електрическата мрежа като изключите конектора и отстранете предпазителя на конектора.

Или, ако аспираторът е свързан чрез щепсел в контакта, извадете щепсела от контакта.

Почистване

Аспираторът трябва да се почиства редовно (най-малкото със същата честота, с която извършвате поддръжката на филтъра за мазнини) отвътре и отвън. Почистете, като използвате кърпа, навлажнена с неутрален течен почистващ препарат. Не използвайте абразивни продукти. **НЕ ИЗПОЛЗВАЙТЕ АЛКОХОЛ!**

ПРЕДУПРЕЖДЕНИЕ: Неспазването на основните препоръки за почистване на аспиратора и смяна на филтрите може да създаде опасност от пожар.

Затова препоръчваме спазването на тези инструкции.

Производителят не поема никаква отговорност за щети по мотора или щети от пожар, свързани с неправилна поддръжка или неспазване на горните препоръки за безопасност.

Филтър за мазнини

Улавя мазните частици от готвенето.

Филтърът за мазнини трябва да се почиства веднъж месечно с неагресивни почистващи препарати, или на ръка, или в съдомиялна, която трябва да бъде настроена на ниска температура и кратък цикъл. Когато се мие в съдомиялна машина, филтърът за мазнини може да се обезцвети, но това не се отразява на филтриращата му способност.

За да извадите филтъра за мазнини, изтеглете дръжката за освобождаване на пружината.

Филтър с активен въглен (само при версия с филтър)

Той поема неприятните миризми, предизвикани от готвенето.

Наповяването на филтъра с активен въглен се случва след дълга употреба, в зависимост от типа готвене и редовното почистване на филтъра за мазнини.

При всички случаи е необходимо да сменят патрона най-малко на всеки четири месеца.

Филтърът с активен въглен НЕ трябва да се мие или регенерира.

Кръгъл въглероден филтър

Поставете по един от всяка страна като капак върху двете предпазни решетки на ротора на мотора, след което завъртете по посока на часовниковата стрелка. С цел разглобяване завъртете в посока, обратна на часовниковата стрелка.

Смяна на крушка

Аспираторът е оборудван със система за осветление, базирана на LED технология.

Светодиодите гарантират оптимално осветление с продължителност 10 пъти по-голяма от традиционните крушки и позволяват 90% пестене на електрическа енергия. В случай на повреда на осветителната система, се свържете с оторизирания сервис.

CS ODSAVAČ PAR

Při instalaci přístroje postupujte podle pokynů uvedených v tomto návodu. Výrobce nenese žádnou odpovědnost za nepřijetí, poškození nebo požár vyplývající z nedodržení pokynů tohoto návodu. Digestof je projektována pro odsávání dýmu a par při vaření a je určena pouze k domácím účelům.

Odsavač se může mírně odlišovat od uvedeného nákresu v návodu. Pokyny k obsluze, údržbě a instalaci zůstávají stejné.

! Odložte si tento návod k použití na bezpečném místě pro případné použití v budoucnosti. V případě předání spotřebiče další osobě ji předejte také tento návod k použití.

! Přečtěte si důkladně tento návod k použití: obsahuje důležité informace o instalaci, použití a bezpečnosti.

! Neprovádějte žádné elektrické ani mechanické změny spotřebiče.

! Před instalací zařízení zkontrolujte, zda některá ze součástí není poškozena. V opačném případě kontaktujte prodejce a nepokračujte v instalaci.

Poznámka: díly označené symbolem „(*)“ představují volitelné příslušenství dodávané pouze k některým modelům nebo jsou dostupné k zakoupení od prodejce, a nejsou součástí dodávky.



UPOZORNĚNÍ **VAROVÁNÍ**

- ! Nepřipojujte spotřebič k elektrické síti, dokud není dokončena kompletní instalace.
- ! Před čištěním nebo údržbou odpojte odsavač od elektrické sítě odpojením zástrčky od síťové zásuvky nebo vypnutím jističe.
- ! Při instalaci a údržbě používejte vždy rukavice.
- ! Tento spotřebič není určený pro použití dětmi nebo osobami s omezenými fyzickými, sensorickými nebo mentálními schopnostmi, nebo bez dostatečných zkušeností a znalostí, pokud nejsou pod dohledem osoby odpovědné za jejich bezpečnost.
- ! Spotřebič je určený pro použití dospělými osobami, nedovolte dětem hrát si se spotřebičem.
- ! Spotřebič je určený pro použití dospělými osobami. Děti nesmí manipulovat s ovládacími prvky ani si hrát se spotřebičem.
- ! Odsavač nikdy nepoužívejte bez namontované mřížky!
- ! Odsavač NESMÍTE používat jako podpěrnou plochu, pokud tak není uvedeno.
- ! V místnosti, kde je instalovaný odsavač musíte zajistit dostatečné větrání, pokud se odsavač používá společně se spotřebiči spalujícími plyn nebo jiná paliva.
- ! Větrací systém tohoto spotřebiče nesmí být připojený k existujícímu ventilačnímu systému, který se používá na odtah zplodin ze spotřebičů spalujících plyn nebo jiná paliva.
- ! Pod odsavačem nikdy neřlambujte.
- ! Použití otevřeného plamene může poškodit filtr a může způsobit požár.
- ! Během smažení mějte pánev neustále pod dohledem, abyste zabránili přehřátí oleje a vznícení.
- ! Přístupné části odsavače mohou být během použití s varnou deskou horké.
- ! S ohledem na technické a bezpečnostní předpisy pro odtah spalin je důležité dodržovat předpisy platné v zemi instalace.
- ! Odsavač pravidelně čistěte zvenku i zevnitř (NEJMÉNĚ JEDNOU MĚSÍČNĚ).
- ! Čištění provádějte v souladu s pokyny o údržbě v návodu k použití). Nedodržení pokynů týkajících se čištění a údržby uvedených v tomto návodu může mít za následek vznícení filtrů odsavače.
- ! Nepoužívejte ani nenechávejte spotřebič bez namontované žárovky z důvodu možného zasažení elektrickým proudem.
- ! Neneseme žádnou odpovědnost za poškození, vady nebo požár způsobené nedodržением pokynů v tomto návodu.
- ! Tento spotřebič je označený podle Evropské směrnice 2002/96/ES o Likvidaci starých elektrických a elektronických zařízení (WEEE). Zajištěním správné likvidace tohoto výrobku pomůžete zabránit možným negativním vlivům na životní prostředí a lidské zdraví, které může být negativně ovlivněno nesprávnou likvidací tohoto spotřebiče.



Symbol na výrobku nebo obalu označuje, že tento spotřebič se nesmí likvidovat společně s běžným domovním odpadem. Musíte je odnést na příslušné sběrné místo pro recyklaci elektrických a elektronických zařízení. Likvidace se musí provést v souladu s místními předpisy o likvidaci odpadu. Pro podrobnější informace o sběru a recyklaci tohoto spotřebiče kontaktujte místní správu, sběrné středisko nebo prodejnu, kde jste spotřebič zakoupili.

Spotřebič byl navržen, testován a vyroben v souladu s:

- **Bezpečnost:** EN/IEC 60335-1; EN/IEC 60335-2-31, EN/IEC 62233.
- **Výkonost:** EN/IEC 61591; ISO 5167-1; ISO 5167-3; ISO 5168; EN/IEC 60704-1; EN/IEC 60704-2-13; ISO 3741; EN 50564; IEC 62301.
- **EMC:** EN 55014-1; CISPR 14-1; EN 55014-2; CISPR 14-2; EN/IEC 61000-3-2; EN/IEC 61000-3-3.

Doporučení pro správné použití s cílem snížit dopad na životní prostředí: Zapněte digestoř na minimální rychlost, když začnete s vařením a nechte ji běžet několik minut poté, co jste vaření ukončili. Zvyšte rychlost pouze v případě nadměrného množství kouře nebo páry a použijte podpornou rychlost (i) jenom v extrémních situacích. Vyměňte uhlíkový filtr (y), je-li to nutné pro udržování jeho účinnosti. Použijte maximální průměr potrubního systému, jak je uvedeno v tomto návodu, pro optimalizaci účinnosti a minimalizaci hluku.

Doplňující pokyny k instalaci:

Pro instalaci použijte pouze upevňovací šrouby dodávané s výrobkem, nebo pokud nejsou součástí dodávky, zakupte si správný typ šroubů.

Použijte správnou délku šroubů, takovou, jaká je uvedena v Instalační příručce.

V případě pochybností se obraťte na autorizované servisní středisko nebo osobu s příslušnou kvalifikací.

VAROVÁNÍ! Pokud šrouby nebo upevňovací prostředky nejsou nainstalovány v souladu s těmito pokyny, může dojít k úrazu elektrickým proudem.

POUŽITÍ

Odsavač je navržen pro použití v odtahové nebo filtrační verzi.

Odtahová verze

V tomto případě jsou výpary odváděny venku z kuchyně přes trubku připojenou pomocí propojovací příruby v horní části odsavače.

Pozor! Odtahová trubka není součástí dodávky a musíte ji zakoupit samostatně.

Průměr odtahového potrubí musí být nejméně stejný jako je propojovací příruha.

V horizontálních částech musí být odtahové potrubí v mírném sklonu (přibližně 10°) a směřované nahoru pro snadné odsávání vzduchu z místnosti.

Pozor! Pokud je odsavač vybavený aktivním uhlíkovým filtrem, musíte jej vyndat.

Připojte odsavač a odtahový otvor ve stěně o průměru stejném jako je výstupní otvor vzduchu (připojovací příruha).

Použití trubek s menším průměrem způsobí snížení sacího výkonu a značně zvýší hluk. Výrobce nenese odpovědnost za provedenou instalaci.

! Použijte potrubí s co nejkratší délkou.

! Použijte potrubí s co nejméně ohyby (maximální úhel kolena: 90°).

! Vyhnete se drastickým změnám v průměru potrubí.

! Použijte co nejhladší trubky odtahového potrubí.

! Odtahové potrubí musí být vyrobené z certifikovaného materiálu.

Filtrační verze

Pro tento druh provozu musíte vložit aktivní uhlíkový filtr, který získáte u vašeho prodejce.

Filtr zachycuje mastnoty a pachy z nasávaného vzduchu a poté jej vrací zpět do místnosti přes výstupní mřížku.

INSTALACE

Minimální vzdálenost mezi horní hranou varné desky a nejnižší částí odsavače musí být nejméně 55 cm pro elektrické varné desky a 65 cm pro plynové nebo kombinované varné desky.

Pokud pokyny pro instalaci plynové varné desky uvádějí větší vzdálenost, dodržujte je.



Připojení k elektrické síti

Napětí v elektrické síti musí odpovídat parametrům uvedeným na výrobním štítku umístěném uvnitř odsavače. Pokud je odsavač vybavený kabelem se zástrčkou, musí být připojena k správně instalované síťové zásuvce a snadno přístupná i po instalaci spotřebiče. Pokud není vybavený kabelem se zástrčkou (přímé připojení k elektrické síti) nebo pokud není zásuvka ve snadno dostupné oblasti po instalaci, použijte dvupólový přepínač v souladu s platnými předpisy, který zajistí kompletní odpojení napájení v případě podmínek týkajících se přepětí kategorie III, v souladu s instalačními pokyny.

Upozornění! Před připojením odsavače k elektrické síti a kontrole funkčnosti vždy zkontrolujte, zda je přívodní kabel správně instalovaný.

Montáž

Výrobek o velké hmotnosti, manipulace a instalace digestoře by měla být prováděna alespoň dvěma nebo více osobami.

Před zahájením instalace:

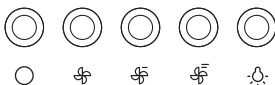
- Zkontrolujte, zda má zakoupený výrobek vhodné rozměry pro zvolený prostor instalace.
- Odložte filtry s aktivním uhlím – jsou-li dodány (viz příslušný odstavec). Je třeba je/jej namontovat zpět v případě, že hodláte používat odsavač ve filtrační verzi.
- Zkontrolujte, zda se uvnitř odsavače nenachází (z přepravních důvodů) materiál příslušenství (například sáčky se šrouby, záruky atd.), případně je vyjměte a uschovejte.
- Pokud je to možné, odpojte a odstraňte nábytek nacházející se pod a kolem prostoru instalace za účelem získání lepšího přístupu ke stropu/stěně, na který/ou má být odsavač nainstalován. Dále je třeba zakrýt hrubou ochrannou fólií kuchyňskou linku, varnou desku nebo dřez, tak aby byly chráněny před poškozením a úlomky. Pro sestavení jednotky si vyberte rovnou plochu. Tento povrch pokryjte ochrannou fólií, na kterou uložíte odsavač a všechny součásti příslušenství.
- Dále zkontrolujte, zda je v blízkosti prostoru instalace odsavače (v prostoru přístupném i po montáži odsavače) dostupná zásuvka elektrického rozvodu a zda bude možné provést připojení zařízení na odvádění kouře směrem ven (platí pouze pro odsávací verzi).
- Proveďte všechny potřebné zednické práce (např.: instalaci zásuvky elektrického rozvodu a/nebo realizaci otvoru pro průchod kouřové trubky).

U většiny odsavačů jsou dodané hmoždinky pro pevné ukotvení spotřebiče na stěnu/strop. Vhodnost instalačního materiálu musí posoudit kvalifikovaný odborník v souladu s typem stěny/stropu. Stěna/ strop musí být dostatečně silné pro váhu spotřebiče. **Nelepte, ani neaplikujte silikón pro připevnění odsavače na stěnu, pouze jej namontujte na povrch.**

OBSLUHA

Použijte nejvyšší stupeň výkonu v případě silné koncentrace kuchyňských výparů. Doporučujeme zapnout odsavač 5 minut před vařením a nechat v provozu dalších 15 minut po dokončení vaření k dokonalému odstranění pachů a výparů.

Mechanické ovládací prvky



- ☺ Stisknutím tlačítka Světlo ZAPNETE světlo. Opětovným stisknutím světlo Vypnete.
- ☺ Stisknutím tlačítka Rychlost 1, spustíte motor s rychlostí 1.
- ☺ Stisknutím tlačítka Rychlost 2, spustíte motor s rychlostí 2.
- ☺ Stisknutím tlačítka Rychlost 3, spustíte motor s rychlostí 3.
- ⏻ Stisknutím tlačítka VYPNOUT, motor vypnete.

Dotykové ovládací prvky



Odsavač par bude po připojení k elektrické síti v pohotovostním režimu a jen částečně budou podsvícená tlačítka Zapnout / Vypnout a tlačítko Osvětlení. Tlačítka Rychlosti 1-3 nebudou podsvícené a nelze je volit.

- ⏻ Stiskněte tlačítko Zapnout /Vypnout a můžete začít volit rychlosti. Jestliže je zvoleno tlačítko Zapnout /Vypnout, tlačítka Rychlosti 1-3 jsou částečně podsvícené.
- ☺ Stisknutím tlačítka Rychlost 1, spustíte motor s rychlostí 1.
- ☺ Stisknutím tlačítka Rychlost 2, spustíte motor s rychlostí 2.
- ☺ Stisknutím tlačítka Rychlost 3, spustíte motor s rychlostí 3.
- ☺ Stisknutím tlačítka Světlo ZAPNETE světlo. Opětovným stisknutím světlo Vypnete.

ÚDRŽBA

POZOR! Před prováděním jakékoliv údržby odpojte odsavač od elektrické sítě vypnutím a odpojením zástrčky od síťové zásuvky nebo vypnutím jističe.

Nebo pokud byl spotřebič připojen prostřednictvím zástrčky a zásuvky, musí být zástrčka ze zásuvky odstraněna.

Čištění

Odsavač pravidelně čistěte (nejméně tak často, jak provádíte údržbu tukových filtrů) zevnitř i zvenku. Čistěte pomocí tkaniny navlhčené v neutrálním roztoku saponátu a vody. Nepoužívejte drsné prostředky. **NEPOUŽÍVEJTE ALKOHOL!**

VAROVÁNÍ: Nedodržení základních pokynů čištění a údržby odsavače a výměny filtrů může způsobit požár. Dodržujte proto tyto pokyny. Výrobce nenesе žádnou odpovědnost za poškození motoru nebo požáry způsobené nesprávnou obsluhou nebo nedodržení bezpečnostních doporučení.

Tukový filtr

Zachycuje mastnoty z vaření.

Musíte jej čistit nejméně jednou měsíčně pomocí neagresivních čistících prostředků, ručně nebo v myčce nádobí, ve které musíte nastavit nízkou teplotu a krátký cyklus. Při mytí v myčce nádobí se může filtr mírně zbarvit, ale toto neovlivní jeho filtrační kapacitu. K vyjmutí tukového filtru potáhněte za madlo s pružinami.

Filtr s aktivním uhlíkem (jen u filtrační verze)

Tento filtr pohlcuje nepříjemné pachy vznikající při vaření.

Saturace filtru s uhlíkem nastane po více či méně dlouhém užití, tj. závisí na typu kuchyně a pravidelném čištění filtru proti mastnotám.

V každém případě je nutné nahradit patronu maximálně jednou za 4 měsíce.

NEMŮŽE být umýván či regenerován.

Kruhový filtr s uhlíkem

Umístěte po jednom na každé straně k pokrytí obou ochranných mřížek rotoru motoru a pak otáčejte ve směru hodinových ručiček. K odmontování otáčejte proti směru hodinových ručiček.

Výměna žárovek

Digestoř je vybavena osvětlovacím systémem založeným na technologii LED. DIODY zaručují optimální osvětlení, s trvanlivostí až 10 krát delší než tradiční svítidla a umožňují úspory 90% elektrické energie.

V případě poruchy osvětlovacího systému kontaktujte technickou službu.

DA EMHÆTTE

Følg brugsanvisningen nøje.

Producenten påtager sit intet ansvar for fejl, skader eller brand, som skyldes manglende overholdelse af instruktionerne i brugsanvisningen. Emhætten er beregnet til udsugning af mados og damp fra køkkenet i private husholdninger.

Emhætten kan se anderledes ud end illustreret i brugsanvisningen. Instruktionerne vedrørende montering, brug og vedligehold er dog de samme.

- ! Gem brugsanvisningen til eventuel senere brug. Hvis du sælger eller overdrager emhætten til andre, skal brugsanvisningen følge med.
- ! Læs brugsanvisningen grundigt. Den indeholder vigtige oplysninger om installation, brug og sikkerhed.
- ! Du må ikke foretage elektriske eller mekaniske ændringer på apparatet og på aftrækskanalen.
- ! Før du installerer produktet, skal du kontrollere, at ingen af delene er beskadigede. Hvis de er, skal du kontakte forhandleren og vente med at installere produktet.

Dele markeret med * er ekstraudstyr, som kun følger med visse modeller, eller som skal købes separat.



FORSIGTIG

ADVARSEL!

- ! Apparatet må ikke sluttes til lysnettet, før det er færdigmonteret.
- ! Afbryd apparatet fra lysnettet, inden du rengør eller vedligeholder det.
- ! Brug altid arbejdshandsker i forbindelse med montering og vedligehold.
- ! Dette apparat må ikke bruges af personer (herunder børn) med nedsatte fysiske, sensoriske eller mentale evner eller af personer med manglende erfaring og kendskab, medmindre de er under opsyn eller blevet instrueret i at bruge apparatet af en person, der er ansvarlig for deres sikkerhed.
- ! Apparatet er beregnet til at blive betjent af voksne. Sørg for, at børn ikke leger med apparatet.
- ! Apparatet skal betjenes af voksne. Lad ikke børn lege med betjeningspanelet eller apparatet.
- ! Apparatet må ikke bruges, medmindre det er monteret korrekt.
- ! Emhætten må aldrig bruges som afsætnings- eller støtteflade, medmindre det udtrykkeligt fremgår af brugsanvisningen.
- ! Sørg for tilstrækkelig udluftning i køkkenet, hvis der anvendes apparater, som drives af gas eller brændstof.
- ! Apparatet må ikke sluttes til eksisterende aftrækskanaler, der bruges som skorsten for gas-, brændstof- eller brændefyrede apparater.
- ! Det er forbudt at flambere mad under emhætten.
- ! Brug af åben ild under emhætten kan medføre beskadigelse af eller brand i filtrene og skal derfor undgås.
- ! Pas på, at madolie ikke overophedes og antændes under madlavningen.
- ! Emhætten kan blive meget varm på undersiden i forbindelse med madlavning.
- ! Overhold de gældende nationale regler for montering af apparatet for at sikre en effektiv og sikker bortledning af røg og em fra madlavningen.
- ! Emhætten skal rengøres regelmæssigt og mindst en gang om måneden både udvendigt og indvendigt.
- ! Dette skal udføres i henhold til instruktionerne i brugsanvisningen. Hvis rengøringsinstruktionerne for emhætten og filtrene ikke overholdes, kan det medføre risiko for brand.
- ! For at undgå elektrisk stød må emhætten ikke bruges eller efterlades, uden at pæren er monteret korrekt.
- ! Vi påtager os intet ansvar for fejl, skader på apparatet og brand som følge af, at instruktionerne i brugsanvisningen ikke følges.
- ! Dette udstyr er mærket i henhold til EU direktiv 2002/96/EØF om Affald fra elektriske og elektroniske produkter (WEEE). Bortskaf produktet korrekt, så du kan være med til at forebygge skader på miljøet og menneskers sundhed.



Symbolet, som findes på produktet eller i den medfølgende dokumentation, angiver, at produktet ikke må bortskaffes sammen med almindeligt husholdningsaffald. Det skal derimod afleveres på en miljøstation, som er godkendt til håndtering af elektrisk og elektronisk udstyr.

Bortskaffelse skal ske i overensstemmelse med lokale standarder for affaldsbortskaffelse.

Hvis du ønsker yderligere oplysninger om, hvordan apparatet genvindes, kan du henvende dig hos kommunen, en genbrugsstation eller forretningen, hvor du købte apparatet.

Apparatet er designet, testet og fremstillet i henhold til:

- **Sikkerhed:** EN/IEC 60335-1; EN/IEC 60335-2-31, EN/IEC 62233.
- **Ydelse:** EN/IEC 61591; ISO 5167-1; ISO 5167-3; ISO 5168; EN/IEC 60704-1; EN/IEC 60704-2-13; ISO 3741; EN 50564; IEC 62301.
- **EMC:** EN 55014-1; CISPR 14-1; EN 55014-2; CISPR 14-2; EN/IEC 61000-3-2; EN/IEC 61000-3-3.

Forslag til korrekt brug for at reducere miljøbelastningen: Tænd for emhætten på den laveste hastighed, når du starter tilberedningen, og lad den køre nogle få minutter efter endt tilberedning. Indstil kun emhætten på højere hastigheder, hvis der udvikles megen mados eller damp. Brug kun boost-hastigheder i ekstreme situationer. Udskift kulfilteret/kulfiltrene, når det er nødvendigt, for at emhætten stadig kan fjerne lugt fra luften. Rengør fedtfilteret/fedtfiltrene, når det er nødvendigt, for at emhætten stadig kan fjerne fedt fra luften. Brug en aftrækskanal med den maksimale diameter for at optimere effektiviteten og minimere støjen.

Yderligere installationsoplysninger:

Brug kun de medfølgende skruer til installationen, eller køb egnede skruer, hvis der ikke medfølger skruer til emhætten. Brug skruer med den korrekte længde som beskrevet i installationsanvisningen. Hvis du er i tvivl, skal du rådføre dig med en fagmand.

ADVARSEL! Hvis skruer og beslag ikke monteres korrekt i henhold til anvisningerne, kan det medføre risiko for elektrisk stød.

BRUG

Emhætten kan enten bruges med aftræk eller med filter.



Til aftræk

På denne model ledes røg ud af bygningen ved hjælp af røret, som skal forbindes med studsén øverst på emhætten.

Vigtigt! Aftræksrøret medfølger ikke og skal købes separat.

Aftræksrørets diameter skal passe til diameteren på studsén.

Hvis røret i princippet skal føres vandret, skal det i stedet have en hældning på cirka 10° opad, så luften lettere kan føres ud i det fri.

Vigtigt! Hvis emhætten er forsynet med et aktivt kul-filter, skal dette fjernes. Forbind emhætten og aftrækskullet i væggen med en slange eller et rør med en tilsvarende diameter.

Hvis du bruger rør eller slanger med en mindre diameter, kan det forringe emhættens sugsevne og øge støjniveauet.

Producenten påtager sig intet ansvar i den forbindelse.

! Aftrækskanalen skal være så kort som muligt.

! Aftrækskanalen skal have så få bøjninger som muligt (maks. vinkel: 90°).

! Undgå væsentlige ændringer i aftrækskanalens diameter.

! Aftrækskanalens inderside skal være så glat og jævn som muligt.

! Aftrækskanalen skal være udført i et egnet materiale.



Model med filter

Der skal monteres et aktivt kul-filter. Dette kan købes hos din forhandler. Filteret fjerner fedt og lugt fra luften, før luften cirkuleres tilbage i rummet gennem emhættens overside.

INSTALLATION

Afstanden mellem kogepladen og emhættens laveste del skal være mindst 55 cm for elkogeplader og 65 cm for gaskogeplader.

Hvis monteringsanvisningerne for gaskogepladen angiver en større minimumsafstand, skal denne overholdes.



Elektrisk tilslutning

Emhætten skal tilsluttes en strømforsyning, som stemmer overens med oplysningerne på typeskiltet indvendigt i emhætten. Hvis emhætten er forsynet med en stikprop, skal denne sættes i en godkendt stikkontakt og altid være tilgængelig. Hvis emhætten ikke er forsynet med en stikprop (direkte tilslutning), eller hvis stikproppen ikke er tilgængelig efter tilslutning, skal emhætten tilsluttes af en autoriseret elektriker i henhold til de gældende regler.

Advarsel! Før strømmen slås til, og emhættens funktion efterprøves, skal du altid kontrollere, at ledningen er samlet og tilsluttet korrekt.

Montering

Apparatet er meget tungt. Vær mindst to personer om at udføre installationen.

Før installationen:

- Kontroller, at apparatet passer i størrelsen til installationsstedet.
- Fjern aktiv kul-filteret* (hvis det medfølger og er installeret). Aktiv kul-filtre skal kun bruges, hvis emhætten skal bruges til recirkulation.
- Kontroller, om der er andet (emballage, brugsanvisninger*, pakker med monteringsdele*) i apparatet, og tag dem i givet fald ud.
- Fjern om muligt eventuelle hvidevarer foran eller under monteringsstedet, så I nemmere kan komme til. Alternativt skal du lægge et tæppe eller lignende over bordplade og kogeplade for at beskytte dem mod skader og snavs fra installationen. Saml apparatet på en plan flade. Læg et tæppe ud, og anbring emhætten og alle dele på det.
- Kontroller, at der er en ledig stikkontakt i nærheden af monteringsstedet, og at det er muligt at slutte emhættens aftræk til en egnet aftrækskanal (kun ved aftræk).
- Foretag alt nødvendigt håndværkerarbejde (f.eks. etablering af stikkontakt og gennemføring af aftrækskanal).

Der medfølger rawlplugs til sikker montering i de fleste typer lofter og vægge. Hvis du er i tvivl, bør du rådføre dig med en fagmand for at sikre, at emhætten monteres forsvarligt. Væggen eller loftet skal være stærk nok til at bære emhættens vægt. Emhætten må ikke monteres på væggen med silikone, murlim eller spartelmasse. Den er ikke beregnet til indbygning i væggen.

BETJENING

Brug høj udsugningshastighed, hvis der er megen røg i køkkenet. Det anbefales, at emhætten tændes 5 minutter før madlavning, og at den først slukkes 15 minutter efter endt madlavning.

Mekanisk styring



- ⏻: Tryk på knappen med dette symbol for at tænde for lyset. Tryk på knappen igen for at slukke for lyset.
- ⚡: Tryk på knappen med dette symbol for at starte motoren på hastighedstrin 1.
- ⚡: Tryk på knappen med dette symbol for at starte motoren på hastighedstrin 2.
- ⚡: Tryk på knappen med dette symbol for at starte motoren på hastighedstrin 3.
- : Tryk på knappen med dette symbol for at slukke for motoren.

Tryk på kontrol



Når emhætten er sluttet til lysnettet, er den som udgangspunkt på standby, og kun knapperne til tænd/sluk og lys er let oplyst. Hastighedsvælgerne fra 1 til 3 er ikke oplyst og kan ikke aktiveres.

- ⏻: Tryk på tænd/sluk-knappen at tænde for apparatet, så du kan vælge hastighedstrin. Når du har trykket på tænd/sluk-knappen, er knapperne til hastighedstrin 1-3 let oplyst.
- ⚡: Tryk på knappen med dette symbol for at starte motoren på hastighedstrin 1.
- ⚡: Tryk på knappen med dette symbol for at starte motoren på hastighedstrin 2.
- ⚡: Tryk på knappen med dette symbol for at starte motoren på hastighedstrin 3.
- ⏻: Tryk på knappen med dette symbol for at tænde for lyset. Tryk på knappen igen for at slukke for lyset.

VEDLIGEHOLDELSE

VIGTIGT! Afbryd emhætten fra lysnettet ved at slukke for stikkontakten eller slå relæet fra, før du udfører vedligeholdelsesarbejde på emhætten.

Hvis emhætten er tilsluttet en stikkontakt, skal du afbryde emhætten fra lysnettet ved at trække stikket ud af stikkontakten.

Rengøring

Emhætten skal regelmæssigt rengøres indvendigt og udvendigt (mindst lige så ofte, som du vedligeholder fedtfilterne). Brug en fugtig klud og et mildt rengøringsmiddel. Brug ikke slibende rengøringsmidler. Brug ikke alkohol.

ADVARSEL! Hvis du ikke overholder disse grundlæggende anbefalinger for rengøring og udskiftning af filtre, kan det medføre risiko for brand.

Du bør derfor overholde disse anbefalinger.

Producenten fraskriver sig ethvert ansvar for skader på motoren eller brand som følge af mangelfuld vedligeholdelse og rengøring eller manglende overholdelse af ovenstående sikkerhedsforskrifter.

Fedfilter

Opfanger fedtpartikler fra luften

Fedfilteret skal rengøres en gang om måneden med milde rengøringsmidler, enten ved vask i hånden eller i opvaskemaskine ved lav temperatur og kort programvarighed. Fedfilteret kan blive let misfarvet ved vask i opvaskemaskine. Dette påvirker dog ikke filterets kapacitet.

Træk i det fjederbelastede udløsergreb for at afmonteret fedtfilteret.

Aktiv kul-filter (kun model med recirkulation)

Filteret absorberer ubehagelige lugte fra madlavningen.

Aktiv kul-filteret mættes efter nogen tids brug, afhængigt af brugsmønsteret, og af hvor ofte du rengør fedtfilteret.

Det er nødvendigt at udskifte aktiv kul-filteret mindst hver fjerde måned.

Aktiv kul-filteret må IKKE vaskes eller genbruges.

Rundt kulfilter

Anbring et filter på hver side af motorimpelleren, og drej dem med uret.

Drej dem mod uret for at afmontere dem.

Udskiftning af pærer

Emhætten er forsynet med LED-belysning.

LED-lyskilderne giver optimal belysning i op til 10 gange så lang tid og sparer samtidigt op til 90% energi i forhold til konventionelle lyskilder.

Hvis belysningssystemet ikke fungerer rigtigt, bedes du kontakte teknisk service.

DE DUNSTABZUGSHAUBE

Bitte befolgen Sie strikt die Anweisungen aus diesem Handbuch. Der Hersteller übernimmt keine Haftung für eventuelle Unannehmlichkeiten, Schäden oder Brand, die aufgrund der Nichtbeachtung der Hinweise in diesem Handbuch entstehen. Die Dunstabzugshaube ist für die Absaugung von Rauch und Dampf während des Kochens und nur für den Gebrauch im Haushalt bestimmt.

Das Aussehen der Dunstabzugshaube kann von den Zeichnungen in diesem Handbuch abweichen. Ungeachtet dessen bleiben die Hinweise für Gebrauch, Wartung und Installation unverändert.

- ! Bewahren Sie dieses Handbuch auf, damit Sie es jederzeit erneut lesen können. Falls Sie das Gerät einem neuen Besitzer übergeben, sorgen Sie bitte dafür, dass er das Handbuch erhält.
- ! Lesen Sie dieses Handbuch sorgfältig durch, da es wichtige Hinweise sowie Informationen zur Installation, zum Gebrauch und zur Sicherheit enthält.
- ! Führen Sie keine elektrischen oder mechanischen Eingriffe bzw. Einstellungen am Gerät oder am Abluftschlauch durch.
- ! Überprüfen Sie vor dem Installieren des Geräts, ob alle Komponenten unbeschädigt sind. Falls Sie feststellen, dass eine der Komponenten beschädigt ist, wenden Sie sich an bitte an Ihren Händler und installieren Sie das Gerät nicht.

Hinweis: Die mit dem Symbol (*) gekennzeichneten Elemente sind zusätzliches Zubehör, das nur bei einigen Modellen vorhanden oder als zusätzliches Zubehör erhältlich sind und nicht zum Lieferumfang des Geräts gehören.



ACHTUNG! WARNUNG!

- ! Schließen Sie das Gerät erst dann an das Stromnetz an, nachdem die Installation vollständig abgeschlossen ist.
- ! Bevor Sie die Dunstabzugshaube reinigen oder warten, trennen Sie sie vom Stromnetz, indem Sie den Stecker des Anschlusskabels aus der Steckdose ziehen oder die Hauptsicherung abschalten.
Tragen Sie bei Installations- oder Wartungsarbeiten immer Schutzhandschuhe.
Das Gerät ist nicht zum Gebrauch durch Kinder und Personen mit verminderten physischen, sensorischen oder geistigen Fähigkeiten oder mangelnden Erfahrungen bzw. Kenntnissen bestimmt, ausgenommen sie bedienen das Gerät unter entsprechender Aufsicht oder berücksichtigen die Anweisungen von einer für ihre Sicherheit verantwortlichen Person.
- ! Das Gerät ist für den Gebrauch durch Erwachsene bestimmt. Erlauben Sie kleinen Kindern nicht, mit dem Gerät zu spielen.
- ! Das Gerät ist für den Gebrauch durch Erwachsene bestimmt. Erlauben Sie Kindern nicht, mit den Bedienelementen des Geräts oder mit dem Gerät selbst zu spielen.
- ! Gebrauchen Sie die Dunstabzugshaube niemals ohne das montierte Gitter!
Verwenden Sie die Haube NIEMALS als Trag- oder Stützfläche, es sei denn, dies ist ausdrücklich in der Gebrauchsanleitung gestattet.
Wenn im Raum, in dem die Dunstabzugshaube installiert ist, auch andere Geräte verwendet werden, in denen Erdgas oder andere Brennstoffe verbrannt werden, muss der Raum ausreichend belüftet sein.
- ! Das System zum Absaugen von Dämpfen aus diesem Gerät darf nicht an ein vorhandenes Lüftungssystem angeschlossen werden, das bereits zu anderen Zwecken verwendet wird, z. B. für die Ableitung von Gasen, die bei der Verbrennung von Gas oder anderen Brennstoffen entstehen.
- ! Das Flammbieren bzw. die Verwendung von offenem Feuer direkt unter der Dunstabzugshaube ist strengstens verboten.
- ! Die Verwendung von offenem Feuer kann die Filter beschädigen und ein Brandrisiko verursachen, deswegen sollten Sie es unter allen Umständen unterlassen.
- ! Achten Sie beim Frittieren darauf, dass sich das Öl nicht überhitzt und sich entzündet.
- ! Die zugänglichen Teile der Dunstabzugshaube können sich beim Betrieb des unter der Haube befindlichen Kochgeräts stark erhitzen.
- ! Hinsichtlich der sowohl technischen als auch sicherheitsrelevanten Maßnahmen zur Ableitung von Dämpfen ist es wichtig, die von den örtlichen Behörden festgelegten Regeln strikt einzuhalten.
Das Gerät sollte regelmäßig von innen und außen gereinigt werden (MINDESTENS EINMAL IM MONAT).
Gebrauchen Sie das Gerät ausschließlich zu dem in diesem Handbuch angeführten Zweck. Falls Sie die Hinweise zur Reinigung von Dunstabzugshauben und Filtern aus diesem Handbuch nicht befolgen, kann es zu Brandgefahr kommen.
- ! Verwenden Sie die Dunstabzugshaube nicht ohne das entsprechend eingebaute Leuchtmittel, da sonst die Gefahr eines Stromschlags besteht.
- ! Der Hersteller übernimmt keine Haftung für eventuelle Fehler, Schäden oder Brände, die aufgrund der Nichtbeachtung der Hinweise in diesem Handbuch entstehen.
- ! ! Das Gerät ist in Einklang mit der europäischen Richtlinie 2002/96/EG über die Entsorgung von Elektro- und Elektronikaltgeräten gekennzeichnet. Durch die vorschriftsmäßige Entsorgung des Geräts tragen Sie zur Vermeidung von eventuellen schädlichen Einflüssen auf die Umwelt und Gesundheit der Menschen bei, die bei einer unvorschriftsmäßigen Entsorgung des ausgedienten Geräts entstehen würden.

Das Gerät wurde gemäß folgenden Normen bzw. Vorschriften entwickelt, getestet und hergestellt.

- **Sicherheit:** EN/IEC 60335-1; EN/IEC 60335-2-31, EN/IEC 62233.
- **Betriebseffizienz:** EN/IEC 61591; ISO 5167-1; ISO 5167-3; ISO 5168; EN/IEC 60704-1; EN/IEC 60704-2-13; ISO 3741; EN 50564; IEC 62301.
- **EMC (elektromagnetische Verträglichkeit):** EN 55014-1; CISPR 14-1; EN 55014-2; CISPR 14-2; EN/IEC 61000-3-2; EN/IEC 61000-3-3.

DEUTSCHLAND: Aktualisierte Informationen zur Entsorgung von Altgeräten

Das Elektro- und Elektronikgerätegesetz (ElektroG) enthält eine Vielzahl von Anforderungen an den Umgang mit Elektro und Elektronikgeräten. Die wichtigsten sind hier zusammengestellt.

1. Getrennte Erfassung von Altgeräten

Elektro- und Elektronikgeräte, die zu Abfall geworden sind, werden als Altgeräte bezeichnet. Besitzer von Altgeräten haben diese einer vom unsortierten Siedlungsabfall getrennten Erfassung zuzuführen. Altgeräte gehören insbesondere nicht in den Hausmüll, sondern in spezielle Sammel- und Rückgabesysteme.

2. Batterien und Akkus sowie Lampen

Besitzer von Altgeräten haben Altbatterien und Alttakkumulatoren, die nicht vom Altgerät umschlossen sind, sowie Lampen, die zer- störungsfrei aus dem Altgerät entnommen werden können, im Regelfall vor der Abgabe an einer Erfassungsstelle vom Altgerät zu trennen. Dies gilt nicht, soweit Altgeräte einer Vorbereitung zur Wiederverwendung unter Beteiligung eines öffentlich-rechtlichen Entsorgungsträgers zugeführt werden.

3. Möglichkeiten der Rückgabe von Altgeräten

Besitzer von Altgeräten aus privaten Haushalten können diese bei den Sammelstellen der öffentlich-rechtlichen Entsorgungsträger oder bei den von Herstellern oder Vertreibern im Sinne des ElektroG eingerichteten Rücknahmestellen unentgeltlich abgeben.

Rücknahmepflichtig sind Geschäfte mit einer Verkaufsfläche von mindestens 400 m² für Elektro- und Elektronikgeräte sowie die- jenigen Lebensmittelgeschäfte mit einer Gesamtverkaufsfläche von mindestens 800 m², die mehrmals pro Jahr oder dauerhaft Elektro- und Elektronikgeräte anbieten und auf dem Markt bereitstellen. Dies gilt auch bei Vertrieb unter Verwendung von Fernkom- munikationsmitteln, wenn die Lager- und Versandflächen für Elektro- und Elektronikgeräte mindestens 400 m² betragen oder die gesamten Lager- und Versandflächen mindestens 800 m² betragen. Vertreter haben die Rücknahme grundsätzlich durch geeignete Rückgabemöglichkeiten in zumutbarer Entfernung zum jeweiligen Endnutzer zu gewährleisten.

Die Möglichkeit der unentgeltlichen Rückgabe eines Altgerätes besteht bei rücknahmepflichtigen Vertreibern unter anderem dann, wenn ein neues gleichartiges Gerät, das im Wesentlichen die gleichen Funktionen erfüllt, an einen Endnutzer abgegeben wird. Wenn ein neues Gerät an einen privaten Haushalt ausgeliefert wird, kann das gleichartige Altgerät auch dort zur unentgeltlichen Abholung übergeben werden; dies gilt bei einem Vertrieb unter Verwendung von Fernkommunikationsmitteln für Geräte der Kategorien 1, 2 oder 4 gemäß § 2 Abs. 1 ElektroG, nämlich „Wärmeüberträger“, „Bildschirmgeräte“ oder „Großgeräte“ (letztere mit mindestens einer äußeren Abmessung über 50 Zentimeter). Zu einer entsprechenden Rückgabe-Absicht werden Endnutzer beim Abschluss eines Kauf- vertrages befragt. Außerdem besteht die Möglichkeit der unentgeltlichen Rückgabe bei Sammelstellen der Vertreter unabhängig vom Kauf eines neuen Gerätes für solche Altgeräte, die in keiner äußeren Abmessung größer als 25 Zentimeter sind, und zwar be- schränkt auf drei Altgeräte pro Geräteart.

4. Datenschutz-Hinweis

Altgeräte enthalten häufig sensible personenbezogene Daten. Dies gilt insbesondere für Geräte der Informations- und Telekommuni- kationstechnik wie Computer und Smartphones. Bitte beachten Sie in Ihrem eigenen Interesse, dass für die Löschung der Daten auf den zu entsorgenden Altgeräten jeder Endnutzer selbst verantwortlich ist.

5. Bedeutung des Symbols „durchgestrichene Mülltonne“



Das auf Elektro- und Elektronikgeräten regelmäßig abgebildete Symbol einer durchgestrichenen Mülltonne weist darauf hin, dass das jeweilige Gerät am Ende seiner Lebensdauer getrennt vom unsortierten Siedlungsabfall zu erfassen ist.

Empfehlungen zum richtigen Gebrauch, der die Umweltbelastung reduziert: Schalten Sie die Dunstabzugshaube auf die Mindestgeschwindigkeit, sobald Sie mit dem Kochen beginnen. Lassen Sie die Dunstabzugshaube nach Beendigung des Kochvorgangs noch ein paar Minuten laufen. Erhöhen Sie die Lüftergeschwindigkeit nur bei starker Rauch- und Dampfentwicklung; verwenden Sie hohe Lüftergeschwindigkeit nur in extremen Fällen. Ersetzen Sie bei Bedarf den Kohlefilter, um eine hohe Effizienz bei der Beseitigung von unangenehmen Gerüchen zu gewährleisten. Reinigen Sie bei Bedarf den Fettfilter, um einen guten Wirkungsgrad zu erreichen. Verwenden Sie den in diesem Handbuch angeführten Abluftschlauch mit maximalem Durchmesser, da dies optimal ist und den Geräuschpegel reduziert.

Zusätzliche Spezifikationen für die Installation:

Verwenden Sie bei der Installation nur die Befestigungsschrauben, die dem Gerät beigelegt sind. Falls keine Schrauben beigelegt sind, kaufen Sie die entsprechenden Schrauben.

Verwenden Sie nur die in den den Installationshinweisen angeführten Schrauben.

Wenden Sie sich im Zweifelsfall an einen autorisierten Kundendienst, an das Kundendienstcenter oder an eine andere entsprechend qualifizierte Person.

WARNUNG! Falls Schrauben oder Montageteile nicht gemäß den Hinweisen aus diesem Handbuch installiert werden, besteht die Gefahr eines Stromschlags.

GEBRAUCH

Diese Dunstabzugshaube ist so konstruiert, dass sie entweder zum Abluft- oder zum Filterbetrieb verwendet werden kann.



Abluftbetrieb

Bei dieser Variante werden die Dämpfe über einen speziellen Abluftschlauch, der mit einem Anschlussflansch am oberen Teil der Haube verbunden wird, ins Freie geleitet.

Achtung! Der Abluftschlauch ist nicht beigelegt und muss separat gekauft werden.

Der Durchmesser des Abluftschlauchs sollte gleich groß sein wie der Durchmesser des Anschlussflansches.

Im waagerechten Bereich muss der Schlauch leicht nach oben (ca. 10 °) gebogen sein, damit der Austritt der Luft aus dem Raum nach außen erleichtert wird.

Achtung! Falls die Dunstabzugshaube mit Kohlefiltern ausgestattet ist, müssen diese entfernt werden.

Verwenden Sie für die Verbindung der Haube mit der Abluftöffnung einen Schlauch dessen Durchmesser dem Durchmesser der Austrittsöffnung an der Haube entspricht (Anschlussflansch).

Falls der Durchmesser des Abluftschlauchs oder die Wandöffnung kleiner ist, ist die Saugkraft geringer und die Betriebsgeräusche sind wesentlich lauter.

Für solche Fälle übernimmt der Hersteller keine Haftung.

! Der Abluftschlauch soll so kurz wie möglich sein.

! Sorgen Sie beim Einsetzen des Abluftschlauchs dafür, dass der Schlauch so wenig wie möglich geknickt wird. Der maximale Knickwinkel des Abluftschlauchs beträgt 90°.

! Vermeiden Sie größere Abweichungen vom Durchmesser des Abluftschlauchs.

! Die Innenfläche des Abluftschlauchs sollte so glatt wie möglich sein.

! Das Material des Abluftschlauchs muss die entsprechenden Zertifikate besitzen.



Filterbetrieb

Für diese Variante benötigen Sie einen Kohlefilter, den Sie im Einzelhandel für Haushaltsgeräte kaufen können.

Der Filter entfernt Fett und Gerüche aus der eingesaugten Luft; die gereinigte Luft strömt durch die Austrittsöffnungen an der Oberseite des Geräts wieder in den Raum zurück.

INSTALLATION

Der Mindestabstand zwischen dem Kochfeld und dem untersten Teil der Dunstabzugshaube muss bei Elektrokochfeldern mindestens 55 cm und bei Gas- bzw. Kombi-Kochfeldern mindestens 65 cm betragen.

Falls in der Installationsanleitung für Gaskochfelder ein größerer Abstand angegeben ist, sollten Sie diesen berücksichtigen.



Anschluss an das Stromnetz

Die Elektroinstallation in Ihrem Haushalt muss den Angaben auf dem Typenschild im Inneren der Dunstabzugshaube entsprechen. Falls am Netzkabel des Geräts ein Stecker angeschlossen ist, stecken Sie diesen in eine Wandsteckdose, die den gültigen Vorschriften entspricht, und die so installiert ist, dass der Stecker nach der Installation leicht zugänglich ist. Falls das Netzkabel des Geräts nicht mit einem Stecker ausgestattet ist (direkter Anschluss an das Stromnetz) oder die Steckdose nach der Installation nicht leicht zugänglich ist, muss gemäß den Normen ein zweipoliger Schalter installiert werden, um sicherzustellen, dass das Gerät unter den Bedingungen der Überspannungskategorie III im Einklang mit den Installationsanweisungen eine vollständige Trennung vom Stromnetz gewährleistet.

Warnung! Bevor Sie die Dunstabzugshaube an das Stromnetz anschließen und deren Betrieb überprüfen, sollten Sie sich immer vergewissern, dass das Netzkabel richtig angeschlossen ist.

Art der Aufstellung

Das Gerät ist sehr schwer. Bei der Handhabung und Installation der Dunstabzugshaube sollten mindestens zwei Personen zusammenarbeiten.

Vor der Installation:

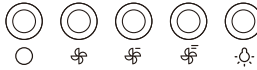
- Prüfen Sie, ob das gekaufte Produkt dem ausgewählten Aufstellungsbereich entspricht.
- Entfernen Sie den Kohlefilter (*), falls dieser beigelegt ist (siehe entsprechendes Kapitel im Handbuch). Installieren Sie den Kohlefilter nur, wenn Sie das Gerät im Umluftbetrieb verwenden.
- Prüfen Sie, ob sich im Inneren der Dunstabzugshaube Materialien oder Gegenstände befinden (die eventuell beim Transport herausgefallen sind, z. B. Schraubenpackungen (*), Garantiekarte (*) usw.) und entfernen Sie diese.
- Trennen Sie, wenn möglich, den Standherd vom Stromnetz bzw. bewegen Sie den Einbauherd in die Nische zwischen die Küchenelemente, um den Zugang zur Wand bzw. zur Decke zu erleichtern. Falls dies nicht möglich sein sollte, legen Sie eine dicke Schutzabdeckung über das Kochfeld oder den Herd, um ihn vor Beschädigung und Fremdkörpern zu schützen. Wählen Sie für die Montage des Geräts eine ebene Unterlage aus. Legen Sie eine Schutzdecke auf die Unterlage, auf der Sie alle Teile der Dunstabzugshaube und alle Befestigungsteile montieren.
- Überprüfen Sie außerdem, ob sich eine Steckdose (die nach dem Einbau der Dunstabzugshaube leicht zugänglich ist) in der Nähe der Montage der Dunstabzugshaube befindet und ob eine Steckdose zum Anschluss des Geräts und eine Abluftöffnung für den Abluftschlauch vorhanden ist.
- Führen Sie alle notwendigen Montagearbeiten (z.B. Installation einer Steckdose und/oder Öffnung für den Abluftschlauch) durch.

Zur Befestigung der Dunstabzugshaube an die Wand bzw. an die Decke sind entsprechende Dübel beigelegt. Trotzdem muss ein entsprechend befähigter Fachmann die Eignung der Materialien hinsichtlich der Beschaffenheit der Wand bzw. der Decke überprüfen. Die Wand bzw. die Decke muss eine ausreichende Tragfähigkeit besitzen, um das Gewicht der Dunstabzugshaube auszuhalten. Versuchen Sie nicht, das Gerät an der Wand bzw. bündig an einer gefliesten Wand mit Fugenmasse, Gips oder Silikonkit zu befestigen. Das Gerät ist nur für die Aufputzmontage vorgesehen.

BETRIEB

Verwenden Sie hohe Lüftergeschwindigkeiten nur bei hohen Dampfkonzentrationen, die während des Kochens entstehen. Es wird empfohlen, die Dunstabzugshaube 5 Minuten vor dem Kochen einzuschalten, während des Kochens laufen zu lassen und nach Beendigung des Kochvorgangs noch etwa 15 Minuten laufen zu lassen.

Mechanische Steuerung



⏻: Drücken Sie Einschalttaste für die Beleuchtung, um die Beleuchtung einzuschalten. Drücken Sie noch einmal die Einschalttaste für die Beleuchtung, um die Beleuchtung abzuschalten.

☞ Drücken Sie die Taste 1, um die Lüftergeschwindigkeit 1 einzustellen.

☞ Drücken Sie die Taste 2, um die Lüftergeschwindigkeit 2 einzustellen.

☞ Drücken Sie die Taste 3, um die Lüftergeschwindigkeit 3 einzustellen.

○ Drücken Sie die Ausschalttaste, um den Lüfter abzuschalten.

Steuerung durch Berührung



Sobald die Dunstabzugshaube an den Strom angeschlossen ist, schaltet sie sich in den Stand-by-Zustand um; die Sensortaste zum Ein-/Aussschalten des Lüfter sowie die EIN/AUS-Sensortaste sind teilweise beleuchtet. Die Sensortasten für die Einstellung der Lüftergeschwindigkeit zwischen 1 und 3 sind nicht beleuchtet und können nicht angewählt werden.

⏻ Drücken Sie die EIN/AUS-Sensortaste, um die Lüftergeschwindigkeit einzustellen. Sobald die EIN/AUS-Sensortaste gedrückt wird, wird die Sensortaste für die Einstellung der Lüftergeschwindigkeit (zwischen 1 und 3) beleuchtet.

☞ Drücken Sie die Taste 1, um die Lüftergeschwindigkeit 1 einzustellen.

☞ Drücken Sie die Taste 2, um die Lüftergeschwindigkeit 2 einzustellen.

☞ Drücken Sie die Taste 3, um die Lüftergeschwindigkeit 3 einzustellen.

⏻: Drücken Sie Sensortaste zum Einschalten der Beleuchtung, um die Beleuchtung einzuschalten. Drücken Sie noch einmal die Sensortaste der Beleuchtung, um die Beleuchtung abzuschalten.

PFLEGE

ACHTUNG! Trennen Sie die Dunstabzugshaube vor Beginn von Wartungsarbeiten oder Eingriffen vom Stromnetz, indem Sie das Anschlusskabel vom Stromnetz trennen oder die entsprechende Sicherung Ihrer Strominstallation abschalten.

Falls das Gerät an eine Steckdose angeschlossen ist, ziehen Sie den Stecker des Anschlusskabels aus der Steckdose.

Reinigung

Die Dunstabzugshaube sollte, sowohl von innen als auch von außen, regelmäßig gereinigt werden (mindestens so oft wie der Fettfilter). Reinigen Sie das Gerät mit einem weichen Tuch, das mit einem neutralen Reinigungsmittel angefeuchtet ist. Verwenden Sie zum Reinigen des Geräts keine groben bzw. scheuernden Reinigungsmittel. VERWENDEN SIE ZUM REINIGEN DES GERÄTS KEINEN ALKOHOL! HINWEIS:

Wir empfehlen Ihnen, diese Anweisungen zu befolgen.

Der Hersteller übernimmt keine Haftung für Schäden am Motor oder Schäden, die durch einen Brand verursacht werden, wenn solche Schäden auf unzureichende Wartung oder Nichteinhaltung der obigen Sicherheitshinweise zurückzuführen sind.

Fettfilter

Der Fettfilter filtert Fett-Teilchen.

Der **Fettfilter** sollte einmal im Monat mit nicht aggressiven Reinigungsmitteln gereinigt werden, entweder manuell oder in der Spülmaschine mit einem kurzen Spülprogramm und bei niedriger Temperatur. Falls Sie den Fettfilter in der Geschirrspülmaschine reinigen, kann er sich leicht entfärben, was jedoch seine Filterkapazität nicht beeinflusst.

Um den Fettfilter zu entfernen, ziehen Sie am Federhebel.

Kohlefilter (nur bei der Filterversion des Geräts)

Der Kohlefilter absorbiert schlechte Gerüche, die beim Kochen entstehen.

Nach längerem Gebrauch tritt eine Sättigung des **Kohlefilters** ein. Wie schnell die Sättigung des Kohlefilters auftritt, hängt von der Kochmethode und der Häufigkeit der Reinigung des Fettfilters ab.

Auf jeden Fall sollte die Kohlefilterpatrone alle vier Monate erneuert werden.

Der Kohlefilter darf NICHT gewaschen oder regeneriert werden.

Umlauf-Kohlefilter

Setzen Sie auf jeder Seite je einen Kohlefilter ein, sodass diese wie eine Abdeckung den Ventilatorgrill schützen; drehen Sie sie danach im Uhrzeigersinn.

Falls Sie den Umlauf-Kohlefilter nach dem Gebrauch entfernen möchten, drehen Sie ihn gegen den Uhrzeigersinn.

Austausch des Leuchtmittels

Die Dunstabzugshaube ist mit einem LED-Beleuchtungssystem ausgestattet.

Die LED-Leuchtmittel bieten eine optimale Ausleuchtung, ihre Lebensdauer ist 10-mal höher als die Lebensdauer von normalen Leuchtmitteln, während sie gleichzeitig 90% Energieeinsparungen ermöglichen.

Bei einer Fehlfunktion des Beleuchtungssystems wenden Sie sich an den technischen Service.

ΕΛ ΑΠΟΡΡΟΦΗΤΗΡΑΣ ΚΟΥΖΙΝΑΣ

Ακολουθήστε προσεκτικά τις οδηγίες που αναφέρονται σε αυτό το εγχειρίδιο. Κάθε ευθύνη για οποιοσδήποτε ενδεχόμενος δυσχερής, ζημιάς ή φωτιές που προκλήθηκαν από μη συμμόρφωση με τις οδηγίες αυτού του εγχειριδίου απορρίπτεται. Ο απορροφητήρας σχεδιάστηκε για την αναρρόφηση ατμών μαγειρέματος και καπνού, και προορίζεται μόνο για οικιακή χρήση.

Ο απορροφητήρας μπορεί να είναι διαφορετικός από την απεικόνιση στα σχέδια αυτού του φυλλαδίου. Ωστόσο, οι οδηγίες χρήσης, συντήρησης και εγκατάστασης παραμένουν οι ίδιες.

- ! Είναι σημαντικό να φυλάξετε αυτό το εγχειρίδιο για να το συμβουλευέστε ανά πάσα στιγμή. Σε περίπτωση πώλησης, μεταβίβασης ή μετακόμισης, βεβαιωθείτε ότι είναι μαζί με το προϊόν.
- ! Διαβάστε προσεκτικά τις οδηγίες: υπάρχουν σημαντικές πληροφορίες για την εγκατάσταση, τη χρήση και την ασφάλεια.
- ! Μην εκτελείτε ηλεκτρικές ή μηχανικές αλλαγές στο προϊόν ή στους αγωγούς εξαγωγής.
- ! Πριν προχωρήσετε στην εγκατάσταση της συσκευής, βεβαιωθείτε ότι δεν έχουν υποστεί ζημιά τα εξαρτήματα. Διαφορετικά, επικοινωνήστε με τον αντιπρόσωπό σας και μην προχωρήσετε στην εγκατάσταση.

Σημείωση: τα στοιχεία που σημειώνονται με το σύμβολο (*) είναι προαιρετικά εξαρτήματα που παρέχονται μόνο με ορισμένα μοντέλα ή πρόκειται για εξαρτήματα προς αγορά, τα οποία δεν παρέχονται.



ΠΡΟΣΟΧΗ **ΠΡΟΕΙΔΟΠΟΙΗΣΗ!**

- ! Μην συνδέσετε τη συσκευή με το ηλεκτρικό δίκτυο μέχρι να ολοκληρωθεί η εγκατάσταση.
- ! Πριν από οποιαδήποτε εργασία καθαρισμού ή συντήρησης, απσυνδέστε τον απορροφητήρα από το ρεύμα, βγάζοντας το καλώδιο από την πρίζα ή απσυνδένοντας την ηλεκτρική τροφοδοσία.
- ! Να φοράτε πάντοτε γάντια εργασίας για όλες τις εργασίες εγκατάστασης και συντήρησης.
- ! Η συσκευή δεν προορίζεται για χρήση από παιδιά ή άτομα με σωματικές, αισθητηριακές ή νοητικές διαταραχές ή άτομα που δεν διαθέτουν εμπειρία ή γνώση, εκτός εάν είναι υπό επίβλεψη ή έχουν εκπαιδευτεί στη χρήση της συσκευής από άτομο υπεύθυνο για την ασφάλειά τους.
- ! Αυτή η συσκευή έχει σχεδιαστεί για χειρισμό από ενήλικες, τα παιδιά θα πρέπει να παρακολουθούνται για να βεβαιωθείτε ότι δεν παίζουν με τη συσκευή.
- ! Αυτή η συσκευή έχει σχεδιαστεί για χειρισμό από ενήλικες. Δεν πρέπει να επιτρέπεται στα παιδιά να πειραζούν τα πλήκτρα λειτουργίας ή να παίζουν με τη συσκευή.
- ! Ποτέ μην χρησιμοποιείτε τον απορροφητήρα εάν δεν έχει την κατάλληλη στήριξη!
- ! Ο απορροφητήρας δεν πρέπει ΠΟΤΕ να χρησιμοποιείται ως επιφάνεια στήριξης, εκτός εάν υπάρχει ειδική ένδειξη.
- ! Οι χώροι στους οποίους είναι εγκατεστημένη η συσκευή πρέπει να αερίζονται επαρκώς όταν ο απορροφητήρας χρησιμοποιείται μαζί με άλλες συσκευές καύσης αερίου ή άλλων καυσίμων.
- ! Το σύστημα αγωγών της συσκευής δεν πρέπει να συνδέεται με κανένα άλλο υπάρχον σύστημα εξαερισμού που χρησιμοποιείται για οποιονδήποτε άλλο σκοπό, όπως η εξαγωγή καπνών από συσκευές αερίου ή άλλων καυσίμων.
- ! Το μαγειρέμα σε ανοιχτή φλόγα απευθείας κάτω από τον απορροφητήρα απαγορεύεται αυστηρά.
- ! Η χρήση ανοιχτής φλόγας είναι επιζήμια για τα φίλτρα και μπορεί να προκαλέσει κίνδυνο πυρκαγιάς συνεπώς πρέπει να αποφεύγεται σε κάθε περίπτωση.
- ! Το ηγάνισμα πρέπει να γίνεται με προσοχή ούτως ώστε το λάδι να μην υπερθερμανθεί και να μην αναφλεγεί.
- ! Τα προσβάσιμα μέρη του απορροφητήρα μπορεί υπερθερμανθούν όταν χρησιμοποιείται η συσκευή μαγειρέματος.
- ! Όσον αφορά στα τεχνικά μέτρα και τα μέτρα ασφαλείας που πρέπει να υιοθετηθούν για την αποβολή των αναθυμιάσεων, είναι σημαντικό να ακολουθούνται στενά οι κανονισμοί που θεσμοθετήθηκαν από τις τοπικές αρχές.
- ! Ο απορροφητήρας πρέπει να καθαρίζεται τακτικά τόσο στο εσωτερικό όσο και στο εξωτερικό (τουλάχιστον μια φορά το μήνα).
- ! Αυτό πρέπει να συμπληρώνεται σύμφωνα με τις οδηγίες συντήρησης που παρέχονται σε αυτό το εγχειρίδιο. Εάν δεν ακολουθήσετε τις οδηγίες που παρέχονται σε αυτόν τον οδηγό χρήσης σχετικά με τον καθαρισμό του απορροφητήρα και των φίλτρων, υπάρχει κίνδυνος φωτιάς.
- ! Μην χρησιμοποιείτε ή αφήνετε τον απορροφητήρα χωρίς σωστή τοποθέτηση της λυχνίας λόγω ενδεχόμενου κινδύνου ηλεκτροπληξίας.
- ! Δεν θα δεχθούμε καμία ευθύνη για τυχόν βλάβες, ζημιές ή φωτιές που προκλήθηκαν στη συσκευή ως αποτέλεσμα της μη τήρησης των οδηγιών που περιλαμβάνονται σε αυτό το εγχειρίδιο.
- ! Αυτή η συσκευή επισημαίνεται σύμφωνα με την Ευρωπαϊκή οδηγία 2002/96 / ΕΚ για τα απόβλητα ειδών ηλεκτρικού και ηλεκτρονικού εξοπλισμού (WEEE). Εξασφαλίζοντας τη σωστή απόρριψη της συσκευής, θα αποτρέψετε τυχόν αρνητικές συνέπειες για το περιβάλλον και την ανθρώπινη υγεία, οι οποίες διαφορετικά θα μπορούσαν να προκληθούν από ακατάλληλο χειρισμό των αποβλήτων αυτού του προϊόντος.



Αυτό το σύμβολο στη συσκευή ή στα συνοδευτικά έγγραφα του προϊόντος υποδεικνύει ότι η συσκευή αυτή δεν μπορεί να αντιμετωπιστεί όπως οικιακά απόβλητα. Αντίθετα, πρέπει να μεταφερθεί στο κατάλληλο σημείο συλλογής για την ανακύκλωση ηλεκτρικού και ηλεκτρονικού εξοπλισμού.

Η απόρριψη πρέπει να γίνεται σύμφωνα με τους τοπικούς περιβαλλοντικούς κανονισμούς για τη διάθεση των αποβλήτων.

Για περισσότερες λεπτομέρειες σχετικά με τη διαδικασία, τη συλλογή, τη συλλογή ή την ανακύκλωση αυτού του προϊόντος, επικοινωνήστε με το αρμόδιο τμήμα των τοπικών αρχών ή το κατάλληλο τμήμα οικιακών απορριμμάτων ή το κατάστημα από το οποίο αγοράσατε αυτό το προϊόν.

Συσκευή σχεδιασμένη, δοκιμασμένη και κατασκευασμένη σύμφωνα με:

- **Ασφάλεια:** EN/IEC 60335-1; EN/IEC 60335-2-31, EN/IEC 62233.
- **Απόδοση:** EN/IEC 61591; ISO 5167-1; ISO 5167-3; ISO 5168; EN/IEC 60704-1; EN/IEC 60704-2-13; ISO 3741; EN 50564; IEC 62301.
- **Ηλεκτρομαγνητική συμβατότητα (EMC):** EN 55014-1; CISPR 14-1; EN 55014-2; CISPR 14-2; EN/IEC 61000-3-2; EN/IEC 61000-3-3.

Προτάσεις για σωστή χρήση ώστε να μειωθούν οι περιβαλλοντικές επιπτώσεις: Ενεργοποιήστε τον απορροφητήρα στη μικρότερη ταχύτητα όταν αρχίσετε το μαγειρέμα και αφήστε τον να λειτουργεί για λίγα λεπτά μετά το τέλος του μαγειρέματος. Αυξήστε την ταχύτητα μόνο σε περίπτωση μεγάλης ποσότητας καπνού και ατμού και χρησιμοποιήστε την ενίσχυση ταχύτητας μόνο σε ακραίες καταστάσεις. Αντικαταστήστε το (τα) φίλτρο(α) άνθρακα όταν είναι απαραίτητο για να διατηρήσετε καλή απόδοση μείωσης της οσμής. Καθαρίστε τα φίλτρα λίπους όταν είναι απαραίτητο για να διατηρήσετε την καλή απόδοση του φίλτρου λίπους. Χρησιμοποιήστε τη μέγιστη διάμετρο του συστήματος αγωγών που υποδεικνύεται στο παρόν εγχειρίδιο για να βελτιστοποιήσετε την απόδοση και να ελαχιστοποιήσετε τον θόρυβο.

Πρόσθετες Πληροφορίες Εγκατάστασης:

Χρησιμοποιήστε μόνο τις βίδες στερέωσης που παρέχονται μαζί με το προϊόν για την εγκατάσταση ή, εάν δεν παρέχονται, αγοράστε τον σωστό τύπο βίδας. Χρησιμοποιήστε βίδες που έχουν το σωστό μήκος, όπως προσδιορίζεται στον Οδηγό Εγκατάστασης.

Σε περίπτωση αμφιβολίας, συμβουλευτείτε ένα εξουσιοδοτημένο κέντρο εξυπηρέτησης πελατών ή κάποιον εξειδικευμένο τεχνικό.

ΠΡΟΕΙΔΟΠΟΙΗΣΗ! Εάν δεν τοποθετήσετε τις βίδες ή τη συσκευή στερέωσης σύμφωνα με αυτές τις οδηγίες, ενδέχεται να προκληθεί κίνδυνος ηλεκτροπληξίας.

ΧΡΗΣΗ

Ο απορροφητήρας είναι σχεδιασμένος για χρήση με απορρόφηση αέρα αλλά και με φίλτρο.



Έκδοση με εξαγωγή αέρα

Σε αυτή την περίπτωση οι αναθυμιάσεις μεταφέρονται έξω από το κτίριο μέσω ειδικού σωλήνα που συνδέεται με τον δακτύλιο σύνδεσης που βρίσκεται στην κορυφή του απορροφητήρα.

Προσοχή! Ο σωλήνας εξαγωγής αέρα δεν παρέχεται και πρέπει να αγοράζεται ξεχωριστά.

Η διάμετρος του σωλήνα εξαγωγής πρέπει να είναι ίση με τη διάμετρο του δακτυλίου σύνδεσης.

Στις οριζόντιες διαδρομές, ο σωλήνας εξαγωγής πρέπει να είναι ελαφρώς κεκλιμένος (περίπου 10°) και να κατευθύνεται προς τα πάνω για να κατευθύνει τον αέρα εύκολα από το δωμάτιο προς τα έξω.

Προσοχή! Αν ο απορροφητήρας περιέχει φίλτρο ενεργού άνθρακα, τότε πρέπει να αφαιρεθεί.

Συνδέστε τον απορροφητήρα και τις οπές εκκένωσης στους τοίχους με μια διάμετρο αντίστοιχη με την έξοδο του αέρα (φλάντζα σύνδεσης).

Η χρήση των σωλήνων και των οπών εκκένωσης σε τοίχους με μικρότερες διαστάσεις θα προκαλέσει μείωση της απόδοσης αναρρόφησης και μια δραστηρή αύξηση του θορύβου.

Επομένως, οποιαδήποτε ευθύνη για τα ανωτέρω απορρίπτεται.

! Χρησιμοποιήστε έναν αγωγό ελάχιστου απαραίτητου μήκους.

! Χρησιμοποιήστε έναν αγωγό με όσο το δυνατόν λιγότερες γωνίες (μέγιστο εύρος γωνίας: 90°).

! Αποφύγετε τις δραστηκές αλλαγές στην διατομή του αγωγού.

! Χρησιμοποιήστε έναν αγωγό με όσο το δυνατόν πιο ομαλή εσωτερική επιφάνεια.

! Ο αγωγός πρέπει να είναι κατασκευασμένος από πιστοποιημένο υλικό.



Έκδοση με φίλτρο

Ένα φίλτρο ενεργού άνθρακα είναι απαραίτητο και μπορείτε να το προμηθευτείτε από ένα απλό κατάστημα λιανικής πώλησης.

Το φίλτρο αφαιρεί το λίπος και τις μυρωδιές από τον εξαγόμενο αέρα πριν τον στείλει πίσω στο δωμάτιο μέσω του ανώτερου πλέγματος εξόδου.

ΕΓΚΑΤΑΣΤΑΣΗ

Η ελάχιστη απόσταση μεταξύ της επιφάνειας στήριξης του εξοπλισμού μαγειρέματος στην εστία και το χαμηλότερο μέρος του απορροφητήρα πρέπει να είναι τουλάχιστον 55 εκ. για τις ηλεκτρικές εστίες και 65 εκ. για τις κουζίνες αερίου ή τις μικτές.

Εάν οι οδηγίες εγκατάστασης για την εστία αερίου καθορίζουν μεγαλύτερη απόσταση, πρέπει να τηρούνται.



Ηλεκτρική σύνδεση

Η τροφοδοσία ρεύματος πρέπει να αντιστοιχεί στην ονομαστική ένδειξη που αναγράφεται στην πλάκα η οποία βρίσκεται στο εσωτερικό του απορροφητήρα. Εάν είναι εφοδιασμένος με καλώδιο, συνδέστε τον απορροφητήρα σε μια πρίζα σύμφωνα με τους ισχύοντες κανονισμούς, η οποία θα βρίσκεται σε προσβάσιμη περιοχή μετά την εγκατάσταση. Εάν δεν υπάρχει καλώδιο (άμεση σύνδεση δικτύου) ή εάν η πρίζα δεν βρίσκεται σε προσβάσιμη περιοχή, μετά την εγκατάσταση, τοποθετήστε έναν διακόπτη διπλού πόλου σύμφωνα με τα πρότυπα, ώστε να εξασφαλίζεται η πλήρης αποσύνδεση από το δίκτυο σε περιπτώσεις υπερφόρτωσης δικτύου κατηγορίας III, σύμφωνα με τις οδηγίες εγκατάστασης.

Προειδοποίηση! Πριν επανασυνδέσετε το κύκλωμα του απορροφητήρα με την παροχή ηλεκτρικού ρεύματος ώστε να ελέγξετε την αποδοτική λειτουργία, βεβαιωθείτε ότι το καλώδιο τροφοδοσίας είναι σωστά συνδεδεμένο και δεν έχει υποστεί ζημιά.

Τοποθέτηση

Πολύ βαρύ προϊόν. Ο χειρισμός και η τοποθέτηση του απορροφητήρα πρέπει να εκτελούνται από τουλάχιστον δύο άτομα.

Πριν ξεκινήσετε την εγκατάσταση:

- Βεβαιωθείτε ότι το προϊόν που αγοράσατε έχει το κατάλληλο μέγεθος για την επιλεγμένη περιοχή εγκατάστασης.
- Αφαιρέστε το φίλτρο άνθρακα (*) αν υπάρχει (βλ. σχετική παράγραφο). Το φίλτρο/Τα φίλτρα πρέπει να τοποθετηθούν μόνο εάν θέλετε να χρησιμοποιήσετε τον απορροφητήρα στην έκδοση φίλτρου.
- Ελέγξτε (για λόγους μεταφοράς) ότι δεν υπάρχει άλλο παρεχόμενο υλικό μέσα στον απορροφητήρα (π.χ. πακέτα με βίδες (*), εγγυήσεις (*) κ.λπ.), και εάν υπάρχουν αφαιρέστε και κρατήστε τα.
- Εάν είναι δυνατόν, αποσυνδέστε και μετακινήστε τα ανεξάρτητα ή συρδόμενα ανοίγματα του ντουλαπιού για να έχετε ευκολότερη πρόσβαση στον πίσω τοίχο / οροφή. Διαφορετικά, τοποθετήστε ένα παχύ προστατευτικό κάλυμμα πάνω από τον πάγκο, την εστία ή το φούρνο για να τα προστατεύσετε από ζημιές και υπολείμματα. Επιλέξτε μια επίπεδη επιφάνεια για τη συναρμολόγηση της μονάδας. Καλύψτε την επιφάνεια με προστατευτικό κάλυμμα και τοποθετήστε επάνω του όλα τα εξαρτήματα και το υλικό του απορροφητήρα.
- Ελέγξτε επιπλέον εάν υπάρχει κοντά στην περιοχή εγκατάστασης του απορροφητήρα (στην περιοχή που είναι προσβάσιμη μετά την τοποθέτηση του απορροφητήρα) μια ηλεκτρική πρίζα και εάν είναι δυνατή η σύνδεση μιας συσκευής αποβολής αναθυμιάσεων προς τα έξω (μόνο έκδοση αναρρόφησης).
- Πραγματοποιήστε όλες τις αναγκαίες εργασίες τοιχοποιίας (π.χ. τοποθέτηση ηλεκτρικής πρίζας και / ή οπής για τη διέλευση του σωλήνα εκκένωσης).

Τα βύσματα διαστολής παρέχονται για να ασφαλιστούν τον απορροφητήρα στους περισσότερους τύπους τοίχων / οροφών. Ωστόσο, ένας εξειδικευμένος τεχνικός πρέπει να επαληθεύσει την καταλληλότητα των υλικών σύμφωνα με τον τύπο τοίχου / οροφής. Ο τοίχος / οροφή πρέπει να είναι αρκετά ισχυρός για να αντέξει το βάρος του απορροφητήρα. Μην στερεώνετε αυτή τη συσκευή στον τοίχο με πλακάκια, γύψο, ή σιλικόνη. Μόνο επιτοίχια τοποθέτηση.

ΛΕΙΤΟΥΡΓΙΑ

Χρησιμοποιήστε την υψηλή ταχύτητα αναρρόφησης σε περιπτώσεις συμπτυκωμένων ατμών κουζίνας. Συνιστάται η αναρρόφηση του απορροφητήρα να είναι ενεργοποιημένη για 5 λεπτά πριν από το μαγείρεμα και να μείνει σε λειτουργία κατά τη διάρκεια του μαγειρέματος, καθώς και για άλλα 15 λεπτά περίπου μετά την ολοκλήρωση του μαγειρέματος.

Μηχανικοί διακόπτες



- ⏻ Πιέστε το πλήκτρο Φωτισμού για να ΑΝΑΨΕΤΕ το φως. Πιέστε ξανά για να ΣΒΗΣΕΤΕ το φως.
- 🌀 Πιέστε το πλήκτρο Ταχύτητα 1 για να ξεκινήσει ο κινητήρας στην 1η ταχύτητα.
- 🌀 Πιέστε το πλήκτρο Ταχύτητα 2 για να ξεκινήσει ο κινητήρας στην 2η ταχύτητα.
- 🌀 Πιέστε το πλήκτρο Ταχύτητα 3 για να ξεκινήσει ο κινητήρας στην 3η ταχύτητα.
- Πιέστε το πλήκτρο Απενεργοποίησης για να απενεργοποιήσετε τον κινητήρα.

Πλήκτρα αφής



Όταν ο απορροφητήρας είναι συνδεδεμένος με την τροφοδοσία ρεύματος, η συσκευή βρίσκεται σε κατάσταση αναμονής και μόνο το κουμπί Ενεργοποίησης / Απενεργοποίηση και το κουμπί Φωτισμού είναι ημι-φωτισμένα. Τα πλήκτρα για τις ταχύτητες 1-3 δεν φωτίζονται και δεν είναι δυνατή η επιλογή τους.

- ⏻ Πιέστε το πλήκτρο Ενεργοποίησης / Απενεργοποίησης για να είναι εφικτή η επιλογή των ταχυτήτων του κινητήρα. Όταν είναι επιλεγμένο το πλήκτρο Ενεργοποίησης / Απενεργοποίησης, τα πλήκτρα για τις ταχύτητες 1-3 είναι ημι-φωτισμένα.
- 🌀 Πιέστε το πλήκτρο Ταχύτητα 1 για να ξεκινήσετε τον κινητήρα στην 1η ταχύτητα.
- 🌀 Πιέστε το πλήκτρο Ταχύτητα 2 για να ξεκινήσετε τον κινητήρα στην 2η ταχύτητα.
- 🌀 Πιέστε το πλήκτρο Ταχύτητα 3 για να ξεκινήσετε τον κινητήρα στην 3η ταχύτητα.
- ⏻ Πιέστε το πλήκτρο Φωτισμού για να ΑΝΑΨΕΤΕ το φως. Πιέστε ξανά για να ΣΒΗΣΕΤΕ το φως

ΣΥΝΤΗΡΗΣΗ

ΠΡΟΣΟΧΗ! Πριν εκτελέσετε οποιαδήποτε εργασία συντήρησης, απομονώστε τον απορροφητήρα από την παροχή ηλεκτρικού ρεύματος απενεργοποιώντας τη σύνδεση και κατεβάστε τον αντίστοιχο διακόπτη.

Ή εάν η συσκευή έχει συνδεθεί με βύσμα και υποδοχή, τότε πρέπει να βγει το καλώδιο από την πρίζα.

Καθαρισμός

Ο απορροφητήρας πρέπει να καθαρίζεται τακτικά (τουλάχιστον με την ίδια συχνότητα που πραγματοποιείτε τη συντήρηση των φίλτρων) εσωτερικά και εξωτερικά. Καθαρίστε χρησιμοποιώντας ένα πανί βρεγμένο με ουδέτερο υγρό απορρυπαντικό. Μην χρησιμοποιείτε λειαντικά προϊόντα.

ΜΗ ΧΡΗΣΙΜΟΠΟΙΕΙΤΕ ΑΛΚΟΟΛ!

ΠΡΟΕΙΔΟΠΟΙΗΣΗ: Εάν δεν ακολουθήσετε τις βασικές οδηγίες καθαρισμού του απορροφητήρα και αντικατάστασης των φίλτρων μπορεί να προκληθεί κίνδυνος φωτιάς

Επομένως, συνιστάται η τήρηση αυτών των οδηγιών.

Ο κατασκευαστής αποποιείται κάθε ευθύνη για τυχόν ζημιά στον κινητήρα ή οποιαδήποτε ζημιά από φωτιά που συνδέεται με ακατάλληλη συντήρηση ή μη τήρηση των παραπάνω συστάσεων ασφαλείας.

Φίλτρο λίπους

Παγιδεύει τα σωματίδια λίπους κατά το μαγείρεμα.

Το **φίλτρο λίπους** πρέπει να καθαρίζεται μία φορά το μήνα χρησιμοποιώντας μη επιθετικά απορρυπαντικά, είτε με το χέρι είτε στο πλυντήριο πιάτων, το οποίο πρέπει να ρυθμιστεί σε χαμηλή θερμοκρασία και σε σύντομο κύκλο. Εάν πλυθεί σε πλυντήριο πιάτων, το φίλτρο λίπους μπορεί να αποχρωματιστεί ελαφρά, αλλά αυτό δεν επηρεάζει την ικανότητα φιλτραρίσματος.

Για να αφαιρέσετε το φίλτρο λίπους, τραβήξτε τη λαβή απελευθέρωσης του ελατηρίου.

Φίλτρο άνθρακα (μόνο έκδοση φίλτρου)

Απορροφά τις δυσάρεστες οσμές που προκαλούνται από το μαγείρεμα.

Ο κορεσμός του **φίλτρου άνθρακα** πραγματοποιείται μετά από περισσότερη ή λιγότερο παρατεταμένη χρήση, ανάλογα με τον τύπο μαγειρέματος και την συχνότητα καθαρισμού του φίλτρου λίπους.

Σε κάθε περίπτωση είναι απαραίτητο να γίνεται αντικατάσταση φίλτρου τουλάχιστον κάθε τέσσερις μήνες.

Το φίλτρο άνθρακα ΔΕΝ μπορεί να πλυθεί ή να ανανεωθεί.

Κυκλικό φίλτρο άνθρακα

Τοποθετήστε ένα σε κάθε πλευρά ως κάλυμμα και στα δύο πλέγματα της περρωτής του κινητήρα, στη συνέχεια γυρίστε δεξιόστροφα.

Για την αφαίρεση, γυρίστε αριστερόστροφα.

Αντικατάσταση λαμπτήρων

Ο απορροφητήρας είναι εξοπλισμένος με σύστημα φωτισμού βασισμένο στην τεχνολογία LED.

Οι λυχνίες LED εξασφαλίζουν τον βέλτιστο φωτισμό, με διάρκεια μέχρι και 10 φορές περισσότερο από τους παραδοσιακούς λαμπτήρες και επιτρέπουν την εξοικονόμηση 90% της ηλεκτρικής ενέργειας.

Σε περίπτωση δυσλειτουργίας του συστήματος φωτισμού, επικοινωνήστε με το τμήμα σέρβις.

ES CAMPANA EXTRACTORA

Siga sistemáticamente las instrucciones en este manual. El fabricante no se hace responsable de un posible inconveniente, daño o incendio que pudiera resultar del incumplimiento de las instrucciones de este manual. La campana está diseñada para la extracción de humo y vapor que se produce durante la cocción, y está destinada únicamente para uso doméstico o en el hogar.

La apariencia de la campana puede diferir de los dibujos en este folleto. Sin embargo, las instrucciones de uso, mantenimiento e instalación permanecen sin cambios.

- ! Guardar este manual para que pueda volver a leerlo en cualquier momento. Si vende, regala o mueve el aparato, asegúrese de que la guía del usuario siempre esté incluida.
- ! Leer cuidadosamente las instrucciones, ya que contienen información esencial sobre la instalación, el uso y la seguridad.
- ! No realizar intervenciones eléctricas o mecánicas ni tampoco ajustes en el aparato o en los tubos de escape o en los colectores.
- ! Antes de instalar el aparato, compruebe que todos los componentes no estén dañados. Si descubre que algún componente está dañado, llame a su distribuidor y no instale el aparato.

Nota: Los elementos marcados con el símbolo "(*)" son accesorios adicionales que se incluyen solo en algunos modelos o están disponibles como accesorios y no se suministran con el aparato.



¡ATENCIÓN! ¡ADVERTENCIA!

- ! No conectar el aparato a la red eléctrica hasta que se complete la instalación.
- ! Antes de limpiar o mantener la campana extractora, desconéctela de la toma de corriente retirando el enchufe de la toma de corriente o apagando el fusible principal.
- ! Siempre use guantes protectores durante todos los trabajos de instalación o mantenimiento.
- ! El aparato no está diseñado para ser utilizado por niños o personas con capacidad física, sensorial o mental reducida o con falta de experiencia o conocimiento, a menos que el aparato se utilice bajo la supervisión adecuada o como lo indiquen las personas a cargo de su seguridad.
- ! El aparato está destinado a ser utilizado por adultos. No permita que los niños pequeños jueguen con el aparato.
- ! El aparato está destinado a ser utilizado por adultos. No permita que los niños jueguen con los controles del aparato o el aparato.
- ! ¡Nunca utilice la campana extractora sin el filtro bien instalado!
- ! NUNCA utilice la campana como soporte o superficie de apoyo a menos que esté explícitamente permitido.
- ! Si en la habitación donde está instalada la campana extractora, también se utilizan dispositivos o aparatos en los que se quema gas natural u otro combustible, dicha habitación debe tener suficiente ventilación.
- ! El sistema de extracción de vapor de este aparato no debe conectarse al sistema de ventilación existente, que ya se utiliza para algún otro propósito, por ejemplo, para la extracción de gases producidos por la combustión de gas u otros combustibles.
- ! Está estrictamente prohibido el flambado o el uso de fuego abierto directamente debajo de la campana extractora.
- ! El uso de la llama abierta puede dañar los filtros y causar un incendio, por lo que debe evitarse bajo cualquier circunstancia.
- ! Al freír tenga cuidado de que el aceite no se sobrecaliente y se encienda.
- ! Las partes accesibles de la campana pueden calentarse durante el funcionamiento del aparato de cocina ubicado debajo de la campana.
- ! En cuanto a las medidas técnicas y de seguridad para la evaporación de vapores, es importante seguir estrictamente las reglas determinadas por las autoridades locales.
- ! La campana extractora debe limpiarse regularmente tanto desde el interior como desde el exterior (POR LO MENOS UNA VEZ AL MES).
- ! Limpie la campana extractora de acuerdo con las instrucciones de mantenimiento de este manual. Si no sigue las instrucciones en este manual con respecto a la limpieza de la campana extractora y de los filtros, puede haber riesgo de incendio.
- ! No utilice la campana extractora o no deje la campana extractora sin la bombilla correctamente instalada, de lo contrario, podría producirse una descarga eléctrica.
- ! El fabricante se exime de cualquier responsabilidad por defectos, daños o incendios que puedan surgir en el dispositivo debido al incumplimiento de las instrucciones de este manual.
- ! El aparato está marcado de acuerdo con la Directiva Europea 2002/96/CE sobre residuos de equipos eléctricos y electrónicos. Al tener cuidado de eliminar este producto adecuadamente, contribuirá a prevenir los efectos dañinos para el medio ambiente y la salud humana que, de lo contrario, podrían resultar del manejo inadecuado de este producto una vez finalizada su vida útil.



El símbolo en el producto o en la documentación adjunta indica que el aparato no debe tratarse como un desecho doméstico, sino que debe entregarse en un punto de recolección adecuado para el reciclaje de equipos eléctricos y electrónicos. Deseche el aparato de acuerdo con las normas ambientales locales para la eliminación de residuos.

Para obtener información más detallada sobre la recuperación, recolección y reciclaje de este producto, comuníquese con el departamento correspondiente de la autoridad local competente, el servicio local de gestión de residuos domésticos o la tienda donde adquirió este producto.

El aparato está diseñado, probado y fabricado de acuerdo con las siguientes normas o regulaciones:

- **Seguridad:** EN/IEC 60335-1; EN/IEC 60335-2-31, EN/IEC 62233.
- **Prestación:** EN/IEC 61591; ISO 5167-1; ISO 5167-3; ISO 5168; EN/IEC 60704-1; EN/IEC 60704-2-13; ISO 3741; EN 50564; IEC 62301.
- **EMC (compatibilidad electromagnética):** EN 55014-1; CISPR 14-1; EN 55014-2; CISPR 14-2; EN/IEC 61000-3-2; EN/IEC 61000-3-3.

Sugerencias para un uso correcto con el fin de reducir el impacto ambiental: ENCENDER la campana a la velocidad mínima cuando empiece a cocinar y manténgala en marcha durante unos minutos después de haber acabado de cocinar. Aumente la velocidad solo si se produjera una gran cantidad de humo y vapor y use la velocidad o velocidades turbo solo en situaciones extremas. Si es necesario, reemplace los filtros de carbón (o el filtro de carbón) para mantener una buena eficiencia en la eliminación de olores desagradables. Si es necesario, limpie los filtros de grasa (o el filtro de grasa) para mantener una buena eficiencia. Utilice el diámetro máximo del sistema de conductos indicado en este manual, para optimizar el rendimiento y minimizar el ruido.

Especificaciones de instalación adicionales:

Durante la instalación, solo use los tornillos para el ajuste que se adjuntan al aparato. Si los tornillos no están incluidos, compre los tornillos del tipo apropiado.

Use los tornillos del largo apropiado de acuerdo con la información en la Guía de instalación.

En caso de duda, póngase en contacto con un taller de reparación autorizado, un centro de ayuda al cliente u otra persona debidamente cualificada.

¡ADVERTENCIA! Si no instala los tornillos o los accesorios de montaje de acuerdo con estas instrucciones, puede ocurrir un riesgo de descarga eléctrica.

USO

La campana extractora está diseñada para ser utilizada tanto en el modelo de extracción al exterior como por el modelo de filtrado.



Modelo de extracción

El humo es evacuado hacia el exterior a través de un tubo de escape introducido en el reborde de conexión que se encuentra en la parte superior de la campana.

¡Atención! El tubo de escape no se suministra y se debe comprarse por separado.

El diámetro del tubo de escape debe ser el mismo que el diámetro del reborde.

En la sección horizontal, el tubo debe estar ligeramente inclinado hacia arriba (aproximadamente 10°) para que el aire se extraiga fácilmente de la habitación.

¡Atención! Si la campana está equipada con filtros de carbón, deben retirarse.

Para la conexión entre la campana y la abertura en la pared para la extracción de vapor, usar un tubo con un diámetro igual al diámetro de la abertura de salida en la campana (rebordo de conexión).

Si el diámetro del tubo o la abertura de la pared es menor, la potencia de succión será menor y el ruido aumentará significativamente.

Para tales casos, el fabricante se exime de cualquier responsabilidad.

! Utilice un tubo de extracción de aire cuya longitud sea la mínima indispensable.

! Utilice un tubo de extracción con el menor número posible de curvas. El ángulo máximo de la curva debe ser de 90°.

! Evite los cambios drásticos en la sección del tubo de extracción de aire.

! La superficie interior del tubo de extracción debe ser lo más lisa posible.

! El tubo de extracción de aire debe estar fabricado de un material con los certificados apropiados.



Versión de filtro

Para esta versión, necesita un filtro de carbón, que puede obtenerse en la tienda de electrodomésticos.

El filtro elimina la grasa y los olores del aire filtrado, y luego el aire purificado regresa a la habitación a través de las ranuras de salida en la parte superior del aparato.

INSTALACIÓN

La distancia mínima entre la superficie de cocción y la parte más baja de la campana no debe ser inferior a 45cm en el caso de las cocinas eléctricas y de 55cm en el caso de las cocinas a gas o mixtas.

Si las instrucciones para la instalación del dispositivo para cocinar con gas especifican una distancia mayor, hay que tener esto en consideración.



Conexión eléctrica

La tensión de red debe corresponder con la tensión indicada en la etiqueta colocada en el interior de la campana extractora. Si es suministrada con un enchufe, conectar la campana a una toma de corriente conforme a las normas en vigor y colocarlo en una zona accesible, aun después de la instalación. Si no es suministrada con enchufe (conexión directa a la red eléctrica) o si la toma no es posible situarla en un lugar accesible, aun después de la instalación, se debe colocar un interruptor bipolar de acuerdo con las normativas, para asegurarse la desconexión completa a la red eléctrica en el caso de la categoría de alta tensión III, conforme con las reglas de instalación.

¡Advertencia! Asegúrese siempre de que el cable de alimentación esté instalado correctamente antes de volver a conectar la fuente de alimentación a la red eléctrica y verificar su funcionamiento.

Tipo de instalación

El aparato es muy pesado. Al menos dos personas deben cooperar en el manejo de la campana extractora y su instalación.

Antes de comenzar la instalación:

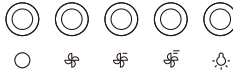
- Comprobar que el producto comprado sea del tamaño apropiado de acuerdo con el área de instalación seleccionada.
- Retirar los filtros de carbón o el filtro de carbón (*), si se suministra (consulte el párrafo correspondiente). Instalar los filtros de carbón (o el filtro de carbón) solo si usa la campana en versión de filtrado.
- Asegúrese de que no haya ningún material u otro elemento dentro de la campana (que podría caerse en el curso del transporte, por ejemplo, paquetes con tornillos (*), la garantía (*), etc.) y, si es necesario, retírelos.
- Si es posible, desconecte y mueva la cocina independiente o la cocina, que puede introducirse en el nicho entre los elementos de la cocina para facilitar el acceso a la pared detrás de la cocina o hasta el techo. Si esto no es posible, coloque una cubierta protectora gruesa sobre la cocina o estufa para protegerla de daños y objetos extraños. Elija una base plana para la instalación del aparato. Cubra esta base con una capa protectora sobre la cual colocar todas las partes de la campana extractora y las partes para fijarla.
- Además, verifique si hay una toma cerca del lugar donde desea instalar la campana extractora (en un lugar al que se podrá acceder incluso después de la instalación de la campana), y si es posible conectarla a la instalación, que drenará el vapor hacia afuera.
- Realizar todos los trabajos de construcción necesarios (p. ej., instalar una toma eléctrica y/o un orificio para el tubo de salida).

Para montar la campana extractora en la mayoría de los tipos de paredes o techos se adjuntan soportes de pared. Sin embargo, un experto debidamente capacitado debe verificar si los materiales son los adecuados dependiendo de la clase o del tipo de pared/techo. Pared o el techo debe ser lo suficientemente fuerte para soportar el peso de la campana extractora. No intente colocar este aparato en la pared o instalarlo con azulejos, compuestos de lechada, revoque o masilla de silicona. El aparato está destinado únicamente para montaje superficial.

FUNCIONAMIENTO

Use la alta velocidad de extracción solo en caso de altas concentraciones de vapor durante la cocción. Le recomendamos que encienda la campana extractora durante 5 minutos antes de cocinar, deje que funcione durante la cocción y déjela funcionar durante aproximadamente 15 minutos después de que finalice la cocción.

Control mecánico



- ⏻ Presionar la tecla para encender la luz o la iluminación. Presionar esta tecla nuevamente para apagar la iluminación.
- ⤴ Presionar la tecla de primera velocidad para encender el motor que funcionará en la primera velocidad.
- ⤴ Presionar la tecla de segunda velocidad para encender el motor que funcionará en la segunda velocidad.
- ⤴ Presionar la tecla de tercera velocidad para encender el motor que funcionará en la tercera velocidad.
- Presionar la tecla de encendido para apagar el motor.

Control táctil



Cuando la campana está enchufada a la fuente de alimentación estará en modo de espera, solo la tecla de sensor de encendido/apagado del motor y la tecla de sensor de encendido/apagado de luces estarán parcialmente iluminadas. Las teclas del sensor para seleccionar la velocidad del motor de 1 a 3 no se iluminarán y no se pueden seleccionar.

- ⏻ Presionar la tecla de sensor de encendido/apagado para seleccionar la velocidad de funcionamiento del motor. Cuando se presiona la tecla de sensor de encendido/apagado, las teclas de sensor para seleccionar la velocidad de funcionamiento del motor (1 a 3) se iluminan parcialmente.
- ⤴ Presionar la tecla de sensor de primera velocidad para activar el motor de primera velocidad.
- ⤴ Presionar la tecla de sensor de segunda velocidad para activar el motor de segunda velocidad.
- ⤴ Presionar la tecla de sensor de tercera velocidad para activar el motor de tercera velocidad.
- ⏻ Presionar la tecla de sensor para encender la luz o la iluminación. Presionar esta tecla nuevamente para apagar la iluminación.

MANTENIMIENTO

¡ATENCIÓN! Desconectar la campana extractora de la red eléctrica antes de realizar cualquier trabajo de mantenimiento u operación apagándola en la conexión y retirando el fusible del conector.

Si el aparato está conectado a una toma de corriente a través de un enchufe, sacar el enchufe de la toma.

Limpieza

La campana extractora debe limpiarse regularmente (al menos con la misma frecuencia que la limpieza del filtro de grasa), tanto desde el interior como desde el exterior. Limpiar con un paño humedecido con un limpiador neutro. No utilice limpiadores abrasivos. **¡NO USE ALCOHOL!**
ADVERTENCIA:

Por lo tanto le recomendamos que siga estas instrucciones.

El fabricante no se hace responsable por daños al motor o daños resultantes de un incendio si dichos daños se deben a un mantenimiento inadecuado o al incumplimiento de las recomendaciones de seguridad mencionadas anteriormente.

Filtro antigrasa

El filtro de grasa intercepta partículas de grasa.

El **filtro antigrasa** debe limpiarse una vez al mes con detergentes no agresivos, manualmente o bien en lavavajillas a bajas temperaturas y con ciclo breve. Con el lavado en el lavavajilla el filtro antigrasa puede desteñirse pero sus características de filtrado no cambian absolutamente.

Para desmontar el filtro antigrasa, tirar de la manija de desenganche de muelle.

Filtro de carbón (solo en la versión de filtro)

El filtro de carbón absorbe los olores desagradables que se producen durante la cocción.

Después de un uso prolongado, se produce la saturación del **filtro de carbón**, dependiendo del método de cocción y la frecuencia de limpieza del filtro de grasa.

En cualquier caso, el cartucho del filtro de carbón debe ser reemplazado cada cuatro meses.

El filtro de carbón NO se permite lavar o regenerar.

filtro de carbón de circulación

Instale uno en cada lado como tapa, protegiendo la rejilla del ventilador, luego girarlo en sentido horario.

Para quitarlo, gírelo en sentido antihorario.

Sustitución de las lámparas

La campana viene provista de un sistema de iluminación basado en la tecnología LED.

Los LEDS garantizan una iluminación óptima, una duración hasta 10 veces mayor que las lámparas convencionales y permiten aborrar el 90% de energía eléctrica. En caso de avería del sistema de iluminación, comuníquese con el servicio técnico.

ET ÕHUPUHASTI

Järgige selles juhendis toodud juhtnööre. Selles kasutusjuhendis sisalduvate juhtnööride eiramisest põhjustatud ebamugavuste, kahjude või põlengute eest lasub vastutus kasutajal. Kubu on mõeldud toiduvalmistamisel tekkiva auru ja suitsu imemiseks ning ainult kodus kasutamiseks.

Kubu võib erineda siin toodud kujutistest. Kasutus-, hooldus- ja paigaldusjuhised on siiski samad.

! Brošüür tuleb alles hoida, et seda saaks vajaduse korral alati lugeda. Seadme müümisel, loovutamisel või mujale viimisel peab brošüür sellega kindlasti kaasas olema.

! Tutvuge juhistega põhjalikult: need sisaldavad olulist teavet paigaldamise, kasutamise ja ohutuse kohta.

! Ärge muutke toote või selle väljalaskevade elektrilist või mehaanilist ehitust.

! Enne seadme paigaldamist veenduge, et ükski osa ei oleks viga saanud. Kui on, võtke ühendust edasimüüjaga ja ärge paigaldamisega alustage.

NB! Sümboliga (*) märgitud komponendid on lisatarvikud, mis tarnitakse ainult teatavate mudelite või komponentide ostmisel, mitte koos tootega.



ETTEVAATUST!

HOIATUS!

! Ärge seadet elektrivõrku ühendage enne, kui see on täielikult paigaldatud.

! Enne kubu puhastamist või hooldamist ühendage see elektrivõrgust lahti, eemaldades pistiku või lülitades elektritoite välja.

! Paigaldus- ja hooldustööde ajal kandke alati töökindaid.

! Käesolev seade ei ole mõeldud kasutamiseks lastele ega piiratud füüsiliste, sensorsete või vaimsete võimetega ega asjakohaste kogemuste ja teadmisteta isikutele, välja arvatud juhul, kui nende ohutuse eest vastutav isik on andnud neile seadme ohutu kasutamise kohta juhiseid või kui seadet kasutatakse nimetatud isiku järelevalve all.

! Seade on mõeldud kasutamiseks täiskasvanutele; lapsi tuleb jälgida, veendumaks et nad seadmega ei mängi.

! Seade on mõeldud kasutamiseks täiskasvanutele. Lastel ei tohi lasta juhtnuppe rikkuda ega seadmega mängida.

! Kubu ei tohi kasutada ilma korralikult kinnitatud võreta!

! Kubu ei tohi KUNAGI kasutada toetuspinnana, välja arvatud juhul, kui on konkreetselt osutatud teisiti.

! Ruumis, kuhu kubu paigaldatakse, peab olema piisav ventilatsioon, kui seadet kasutatakse koos muude gaasipõletusseadmetega või kütustega.

! Seadme torusüsteemi ei tohi ühendada olemasoleva ventilatsioonisüsteemiga, mida kasutatakse mingil muul otstarbel, näiteks selleks, et gaasi või muud kütust põletavatest seadmetest heitgaase välja juhtida.

! Kubu all toidu leegiga põletamine on rangelt keelatud.

! Lahtise tule kasutamine kahjustab filtrit ja on tuleohtlik ning seega tuleb seda kõigi asjaolude korral vältida.

! Praadimisel tuleb olla ettevaatlik, et õli ei kuumeneks üle ega süttiks.

! Kubu ligipääsetavad osad võivad küpsetusseadme kasutamisel kuumeneda.

! Auru eraldamisel rakendatavate tehniliste ja ohutusmeetmete osas tuleb täpselt järgida kohaliku omavalitsuse kehtestatud eeskirju.

! Kubu tuleb korrapäraselt seest ja väljast puhastada (VÄHEMALT KORD KUUS).

! See tuleb teostada vastavalt lisatud hooldusjuhistele. Kasutusjuhendis toodud kubu ja filtrete puhastamist käsitlevate juhtnööride eiramisel tekib põlenguohut.

! Ärge kasutage ega jätke kubu selliselt, et pirnid ei ole korrektselt paigaldatud – elektrilöögi oht.

! Me ei võta vastutust seadmega seotud rikete, kahjude ega põlengute eest, mis tulenevad kasutusjuhendis sisalduvate juhtnööride eiramisest.

! Seade on märgistatud vastavalt Euroopa elektri- ja elektroonikaseadmete jäätmete (WEEE) direktiivile 2012/96/EL. Õige jäätmekäitluse tagamisega aitate vältida võimalikke kahjulikke tagajärgi loodusele ja inimeste tervisele, mida selle seadme väär äraviskamine võib kaasa tuua.



Sümbol tootel või sellega kaasas olevates dokumentides tähendab, et toodet ei tohi käidelda olmeprügina. Selle asemel tuleb see viia elektriliste ja elektrooniliste seadmete kogumiseks ettenähtud jäätmajaama. Seadme utiliseerimine peab toimuma vastavalt kohalikele jäätmekäitluseeskirjadele.

Täiendava teabe saamiseks tootega seotud jäätmete kogumise ja ringlussevõtu korra kohta võtke ühendust kohaliku omavalitsuse vastava osakonnaga või olmeprügiga tegeleva kohaliku ametiga või kauplusega, kust te toote ostsite.

Seade on konstrueeritud, toodetud ja seda on katsetatud vastavalt järgmistele standarditele.

- **Ohutus:** EN/IEC 60335-1; EN/IEC 60335-2-31; EN/IEC 62233.
- **Jõudlus:** EN/IEC 61591; ISO 5167-1; ISO 5167-3; ISO 5168; EN/IEC 60704-1; EN/IEC 60704-2-13; ISO 3741; EN 50564; IEC 62301.
- **Elektromagnetiline ühilduvus:** EN 55014-1; CISPR 14-1; EN 55014-2; CISPR 14-2; EN/IEC 61000-3-2; EN/IEC 61000-3-3.

Soovitused õigeks, keskkonnamõju vähendavaks kasutuseks: toitu valmistama asudes lülitage kuhu sisse minimaalsel kiirusel ja jätke see pärast lõpetamist mõneks minutiks tööle. Suurendage kiirust ainult siis, kui suitsu ja auru tekib suures koguses ning kasutage maksimaalset kiirust ainult erakorralises olukorras. Asendage söefilter (-filtrid), kui on vaja parandada lõhnaeemaldamise tõhusust. Puhastage rasvafilter (-filtrid), kui on vaja parandada rasvafiltri tõhusust. Kasutage selles juhendis toodud maksimaalse läbimõõduga ventilatsioonikanaleid, et optimeerida tõhusust ja vähendada müra.

Täiendavad paigaldamisjuhised

Kasutage ainult koos tootega tarnitud kruvisid, kui need puuduvad, ostke õiget tüüpi kruvid.

Kasutage õige pikkusega kruvisid, lähtudes paigaldamisjuhendist.

Kahtluse korral pidage nõu volitatud teeninduskeskuse või muu kvalifitseeritud isikuga.

HOIATUS! Kui kruvide või kinnitusseadme paigaldamisel ei järgita käesolevaid juhiseid, on elektrilõõhi oht.

KASUTUS

Kuhu on mõeldud kasutamiseks kas väljalaskesüsteemi või filtriga versioonis.



Torustuse versioon

Aur viiakse hoonest kuhu peal asuva ühendusrõnga külge kinnitatud spetsiaalse toru kaudu välja.

NB! Väljalasketoru ei kuulu komplekti, vaid tuleb eraldi osta. Väljalasketoru läbimõõt

peab vastama ühendusrõngale.

Kui torud kulgevad horisontaalselt, siis peab väljalasketoru olema kerge kalde all (umbes 10°) ja ülespoole suunata, et õhu saaks ruumist välja juhtida.

NB! Väljalasketoru ei kuulu komplekti, vaid tuleb eraldi osta.

Väljalasketoru läbimõõt peab vastama ühendusrõngale.

Kui torud kulgevad horisontaalselt, siis peab väljalasketoru olema kerge kalde all (umbes 10°) ja ülespoole suunata, et õhu saaks ruumist välja juhtida.

NB! Kui kublul on aktiivsöefilter, siis tuleb see eemaldada.

Kuhu ja tühjenemisavad ühendada seinaga läbimõõduga, mis vastab õhuväljalaskeavale (ühendusäärik).

Seintel väiksema läbimõõduga torude ja tühjenemisavade kasutamine vähendab imemisjõudu ja suurendab oluliselt müra.

Seega tootja selle eest vastutust ei võta.

! Toru peab olema minimaalse hädavajaliku pikkusega.

! Kasutage võimalikult sirget toru (maksimaalne põlvenurk: 90°).

! Välitige toru ristlõikes järske muutusi.

! Kasutage seest võimalikult siledat toru.

! Toru peab olema valmistatud sertifitseeritud materjalist.

Filtriga versioon

Selleks on vajalik üks aktiivsöefilter, mille leiata kauplusest.

Filter eemaldab väljuvast õhust rasva ja lõhnad enne, kui see ülemise väljalaskevõru kaudu kööki tagasi tuleb.

PAIGALDAMINE

Minimaalne kaugus pliidi olevate pannide/pottide tugipinna ja kuhu põhja vahel peab elektripliididel olema vähemalt 55 cm ning gaasi- ja segapliididel 65 cm.

Kui gaasipliidi kasutusjuhendis on ette nähtud suurem kaugus, siis tuleb seda järgida.



Elektriühendus

Põhitoiteallikas peab vastama kuhu siseküljel olevale andmeplaadil näidatud väärtusele. Kui kuhu on varustatud pistikuga, ühendage see pärast paigaldamist ligipääsetavas kohas oleva pesaga, järgides kehtivaid eeskirju. Kui kublul pistikut ei ole (ühendatakse otse vooluvõrku) või kui see ei asu ligipääsetavas kohas, kasutage pärast paigaldamist kooskõlas normidega ja vastavalt paigaldusjuhiste toetuspistikupesaga, mis tagab III kategooria ülevoolu korral täieliku vooluvõrgust lahtiühendamise.

Hoiatus!!

Enne kuhu vooluvõrguga uuesti ühendamist ja selle töötamise kontrollimist veenduge, et peajuhe oleks õigesti paigaldatud.

Paigaldamine

Toode on väga raske. Selle käsitsemiseks ja paigaldamiseks on vaja vähemalt kahte inimest. Enne paigaldama asumist:

- veenduge, et ostetud toode oleks valitud paigaldusala jaoks sobiva suurusega.
- Eemaldage söefilter (söefiltrid) (*), kui see (need) on komplektis (vt ka vastavat jaotist), Laske filter paigaldada üksnes siis, kui soovite kuhu filtrirežiimiga kasutada.
- Kontrollige, ega transportimisel ei ole kubesse jäänud muid esemeid (näiteks pakendeid kruvidega (*), garantiilehte (*) jms), eemaldage need ja hoidke alles.
- Võimaluse korral ühendage lahti ja viige kaugemale kapid ja tööpinnad, et tagaseinale/laele lihtsam ligi pääseda oleks. Kui seda ei ole võimalik teha, katke tööpind, pliit või kapid paksu materjaliga, et neid kahjustuste ja prügi eest kaitsta. Valige seadme kokkupanemiseks ühetasane pind. Katke pind kaitsematerjaliga ja asetage sellele kõik kuhu osad ja tööriistad.
- Lisaks kontrollige, kas kuhu paigaldamiskoha lähedal (kohas, millele pääseb ligi ka pärast kuhu paigaldamist) on elektripesa ja kas välja on võimalik ühendada gaasitõmbeseade (ainult imemisega kuhu puhul).
- Teostage müüritööd (näiteks pistikupespa paigaldamiseks ja/või augu tegemiseks tõmbetoru jaoks).

Kubuga on kaasas jämenevad seinatüübid, millega saab kuhu peaaegu igat tüüpi seinale/lakke kinnitada. Kvalifitseeritud tehnik peab siiski kontrollima, kas materjalid seinala/tüübile sobivad. Sein/lagi peab olema piisavalt tugev, et kuhu raskust kanda. **Seadme seina kinnitamiseks ei tohi kasutada plaate, krohvi ega silikooni. Ainult pindmontaaz.**

KASUTAMINE

Kontsentreeritud kõrgiaurude korral kasutage kõrget imemiskiirust. Kuhu imemisfunktsioon on soovitatav enne toitu valmistama asumist 5 minutiks sisse lülitada ja lasta sel töötada toiduvalmistamise ajal ja umbes 15 minutit pärast seda.

Mehaanilised juhtseadmed



- ⦿: Valgustuse sisselülitamiseks vajutage valgustuse nupule. Väljalülitamiseks vajutage ⦿ veel üks kord nupule. Mootori kiirusel 1 käivitamiseks vajutage kiiruse 1 nuppu.
- ⦿ Mootori kiirusel 2 käivitamiseks vajutage kiiruse 2 nuppu.
- ⦿ Mootori kiirusel 3 käivitamiseks vajutage kiiruse 3 nuppu.
- Mootori väljalülitamiseks vajutage väljalülitamise nuppu.

Puutejuhtseadmed



Kui kuhu on vooluvõrk lülitatud, siis on see ooterežiimis ja ainult sisse-/väljalülitamise ja valgustuse nupud on tuhmilt valgustatud. Kiiruse nupud 1–3 ei ole valgustatud ning neid valida ei saa.

- ⦿ Mootori kiiruse valimiseks vajutage sisse-/väljalülitamise nuppu. Sisse-/väljalülitamise nupu valimisel süttib kiiruse nuppudes 1–3 ⦿ tuhm valgus. Mootori kiirusel 1 käivitamiseks vajutage kiiruse 1 nuppu.
- ⦿ Mootori kiirusel 2 käivitamiseks vajutage kiiruse 2 nuppu.
- ⦿ Mootori kiirusel 3 käivitamiseks vajutage kiiruse 3 nuppu.
- ⦿: Valgustuse sisselülitamiseks vajutage valgustuse nupule. Väljalülitamiseks vajutage veel üks kord nupule.

HOOLDUS

NB! Enne hooldust isoleerige kuhu elektritoitest, lülitades konnektori välja ja eemaldades selle kaitsme. Kui kuhu on ühendatud pistiku ja pesaga, siis eemaldage pistik pesast.

Puhastamine

Kuhu tuleb korrapäraselt seest ja väljast puhastada (vähemalt sama sageli, kui te rasvafiltrit hooldate). Kasutage puhastamiseks neutraalses pesuvedelikus niisutatud lappi. Ärge kasutage abrasiivseid vahendeid. **ALKOHOLI EI TOHI KASUTADA!**
HOIATUS!Kui kuhu vastavalt soovitusitele ei puhastata ja filtreid ei asendata, võib tekkida põlengu oht. See tõttu soovitage juhtnööre järgida. Tootja ei vastuta mootori kahjustuste ega põlengute eest, kui nende põhjuseks on vale hooldamine või eespool kirjeldatud ohutussoovituste eiramine.

Rasvafilter

Püüab kinni toidu valmistamisel tekkivad rasvaosakesed.

Rasvafiltrit peab puhastama kord kuus nõrgatoimelise pesuvahendiga või käisitsi või nõudepesumasinas madalal temperatuuril ja kasutades lühikest tsüklit. Nõudepesumasinas pesemisel võib rasvafilter veidi värvi muuta, kuid see ei mõjuta selle filtrimisomadusi. Rasvafiltri eemaldamiseks tõmmake vedruga vabastushooba.

Sõefilter (ainult filtriga versioon)

Imeb toiduvalmistamisel tekkivaid ebameeldivaid lõhnasid.

Pikemaajalisel kasutamisel **sõefilter** ummistub, sõltuvalt toiduvalmistamise viisidest ja rasvafiltri puhastamise sagedusest.

Igal juhul tuleb salv vähemalt kord nelja kuu jooksul välja vahetada.

Sõefiltrit EI TOHI pesta ega regenereerida.

Tsirkulaarne sõefilter

Kasutada kummalgi küljel mootori tiiviku kaitsevõrgu kattena, seejärel pöörata päripäeva.

Lahtimonteerimiseks pöörata vastupäeva.

Asenduslambid

Pliidikuhu on varustatud LED-tehnoloogial põhineva valgustusüsteemiga.

LED-lambid tagavad optimaalse valgustuse ja kestavad tavapäraste pirnidega võrreldes kuni 10 korda kauem ning võimaldavad säästa 90% elektrienergiast. Valgustusüsteemi talitlushäire korral võtke ühendust tehnilise teenistusega.

Noudata tiukasti tässä käsikirjassa asetettuja ohjeita.

Emme ota mitään vastuuta mahdollisista haitoista, vahingoista tai tulipaloista, jotka ovat seurausta tässä käsikirjassa olevien ohjeiden noudattamatta jättämisestä. Liesituuletin on suunniteltu ruoanlaitossa syntyvien käryjen ja höyryn imemiseen, ja se on tarkoitettu ainoastaan yksityöskäyttöön.

Liesituuletin voi näyttää erilaiselta verrattuna tässä vihkosessa esitettyihin piirustuksiin. Käyttö-, huolto- ja asennusohjeet ovat kuitenkin samat.

! Säilytä tämä vihkonen myöhempää tarvetta varten. Jos tuote myydään, luovutetaan edelleen tai siirretään, varmista, että vihkonen toimitetaan sen mukana.

! Lue ohjeet huolellisesti läpi, ne sisältävät tärkeää tietoa asennuksesta, käytöstä ja turvallisuudesta..

! Älä tee sähköisiä tai mekaanisia muutoksia tuotteeseen tai sen poistokanaviin.

! Tarkasta, että kaikki laitteen osat ovat vahingoittumattomat ennen kuin asennat sen. Jos näin ei ole, ota yhteyttä jälleenmyyjäsi, äläkä asenna tuotetta.

Huomaa: symbolilla "(*)" merkityt osat ovat valinnaisia varusteita, jotka toimitetaan vain tiettyjen mallien kohdalla tai jotka on ostettava erikseen.



HUOMIO

VAROITUS!

! Älä liitä laitetta sähköverkkoon ennen kuin asennus on täysin valmis.

! Irrota liesituuletin ennen kaikkia puhdistus- tai huoltotoimenpiteitä sähköverkosta irrottamalla pistoke tai erottamalla sähköverkon sähkönsyöttö.

! Pidä aina työkaluina asennus- ja huolto-ohjeita.

! Laitetta ei ole tarkoitettu lasten tai sellaisten henkilöiden käyttöön, joiden fyysinen tai henkinen toimintakyky tai aistit ovat rajoittuneet tai joilla ei ole kokemusta tai tietoa laitteen käytöstä, muutoin kuin heidän turvallisuudestaan vastaavan henkilön valvonnassa tai opastuksella.

! Tämä laite on suunniteltu aikuisten käytettäväksi, lapsia on valvottava, jotta he eivät leikkisi laitteella.

! Tämä laite on suunniteltu aikuisten käytettäväksi. Älä anna lasten peukaloida ohjaimia tai leikkiä laitteella.

! Älä milloinkaan käytä liesituuletinta ilman oikein asennettua ritilää!

! Liesituuletinta EI MILLOINKAAN saa käyttää tukipintana, ellei näin ole erityisesti kehoitettu.

! Laitteen asennuspaikan on oltava riittävän hyvin tuuletettu, kun liesituuletinta käytetään yhdessä muiden kaasulla tai muilla polttoaineilla toimivien laitteiden kanssa.

! Laitteen putkijärjestelmää ei saa liittää mihinkään muuhun tuuletusjärjestelmään, jota käytetään muhin tarkoituksiin, kuten pakokaasujen poistamiseen laitteista, jotka toimivat kaasulla tai muilla polttoaineilla.

! Ruokien liekittäminen liesituulettimen alla on kiellettyä.

! Avotulen käyttö on haitallista suodattimille ja voi aiheuttaa tulipalon vaaran, joten siitä on vältettävä kaikissa olosuhteissa.

! Paistettaessa on aina noudatettava varovaisuutta, jotta varmistetaan, että öljy ei ylikuumene ja syty palamaan.

! Liesituulettimen käsiksi päästävät osat voivat kuumentua, kun niitä käytetään keittolaitteiden kanssa.

! Jotta käryjen poistoa koskevia teknisiä ja turvallisuusmääräyksiä noudatetaan, on tärkeää noudattaa tarkoin paikallisten viranomaisten antamia säästöjä.

! Liesituuletin täytyy puhdistaa säännöllisesti sekä sisältä että ulkoa (VÄHINTÄÄN KERRAN KUUKAUDESSA).

! Tämä on tehtävä tässä käsikirjassa annettujen huolto-ohjeiden mukaisesti). Jos tämän käyttöoppaan sisältämiä liesituulettimen ja sen suodattimien puhdistusta koskevia ohjeita ei noudateta, on olemassa tulipalon vaara.

! Älä käytä liesituuletinta tai jätä sitä päälle, jos sen lamppua ei ole asennettu oikein; on olemassa sähköiskun vaara.

! Emme vastaa mistään laitteelle aiheutuneesta viasta, vahingosta, tai tulipalosta, joka on seurausta tämän käyttöoppaan sisältämien ohjeiden noudattamatta jättämisestä.

! Tämä tuote on merkitty sähkö- ja elektroniikkaromusta annetun Euroopan parlamentin ja neuvoston direktiivin 2002/96/EY (WEEE) mukaan. Hävittämällä tuotteen oikealla tavalla voit ehkäistä ihmisten terveydelle ja ympäristölle aiheutuvia haitallisia vaikutuksia, joita jätteiden epäasianmukainen käsittely saattaa muussa tapauksessa aiheuttaa.



Tuotteessa tai tuotteen ohjeissa oleva merkki tarkoittaa, että laitetta ei saa hävittää kotitalousjätteenä. Sen sijaan se on toimitettava sopivaan sähkö- ja elektroniikkalaiteromulle tarkoitettuun keräyspisteeseen.

Jätteiden hävittämisessä on noudatettava asiaa koskevia paikallisia ympäristönsuojelumääräyksiä.

Lisätietoja tuotteen käsittelystä, keräämisestä ja kierrätyksestä voit pyytää jätehuollosta vastaavilta paikallisilta viranomaisilta, jätehuoltoyritykseltä tai liikkeestä, josta ostit tuotteen.

Laitte on suunniteltu, testattu ja valmistettu seuraavien standardien mukaisesti:

- **Turvallisuus:** EN/IEC 60335-1; EN/IEC 60335-2-31, EN/IEC 62233.
- **Suurituskyky:** EN/IEC 61591; ISO 5167-1; ISO 5167-3; ISO 5168; EN/IEC 60704-1; EN/IEC 60704-2-13; ISO 3741; EN 50564; IEC 62301.
- **EMC:** EN 55014-1; CISPR 14-1; EN 55014-2; CISPR 14-2; EN/IEC 61000-3-2; EN/IEC 61000-3-3.

Ehdotuksia tuotteen käyttämiseksi tavalla, joka vähentää sen ympäristövaikutuksia: Kytke liesituuletin PÄÄLLE miniminopeudella aloittaessasi ruuanlaiton ja anna sen käydä muutama minuutti sen jälkeen, kun olet lopettanut ruuanlaiton. Nosta nopeutta ainoastaan, jos käryä ja höyryä on paljon, ja käytä lisätehonerpeutta (-nopeuksia) vain äärimmäisissä tilanteissa. Vaihda hiilisuodatin (-suodattimet) tarvittaessa hyvän hajujen poistotehokkuuden ylläpitämiseksi. Puhdista rasvasuodatin (-suodattimet) tarvittaessa hyvän rasvan suodatustehokkuuden ylläpitämiseksi. Käytä tässä oppaassa mainittua imujärjestelmän enimmäishalkaisijaa poistotehon optimoimiseksi ja melun minimoimiseksi.

Asennusta koskevia lisätietoja

Käytä asennuksessa ainoastaan tuotteen mukana toimitettuja kiinnitysruuveja, tai jos toimitukseen ei sisälly ruuveja, osta oikeantyyppiset ruuvit. Käytä oikeanpituisia ruuveja, pituus on ilmoitettu asennusohjeissa. Jos et ole varma, ota yhteyttä valtuutettuun huoltokeskukseen tai vastaavaan pätevään tahoon.

VAROITUS! Jos ruuveja ei asenneta tai laitetta kiinnitetä tämän ohjeen mukaisesti, seurauksena voi olla sähkötapaturmia.

KÄYTTÖ

Liesituuletin on suunniteltu käytettäväksi joko käryt poistavana tai suodattavana versiona.



Kanavoitusversio

Käryt siirretään rakennuksen ulkopuolelle erityistä putkea pitkin, joka on liitetty liesituulettimen yläosassa olevalla liitäntärenkaalla.

Huomio! Poistoputkea ei sisälly toimitukseen, vaan se on hankittava erikseen.

Poistoputken halkaisijan täytyy olla liitäntärenkaan kokoinen.

Vaakasuorilla osuuksilla poistoputken on oltava hieman kalteva (noin 10°) ja suunnattu ylöspäin, jotta ilma poistuisi tehokkaasti huoneesta.

Huomio! Jos liesituuletin toimitetaan aktiivihiiisuodattimen kanssa, silloin se täytyy poistaa. Liitä liesituuletin ja seinällä olevat poistoaukot halkaisijaltaan yhtä suureen ilman poistoaukkoon (liitäntälaippa).

Käytettäessä putkia ja seinällä olevia poistoaukkoja, joiden halkaisijat ovat pienemmät, seurauksena on imutehon heikkeneminen ja voimakas melun lisääntyminen.

Siksi kaikesta vastuusta asiassa kieltäydytään.

! Käytä kanavaa, jossa on pienin välttämättömän tarpeellinen pituus.

! Käytä hormia, jossa on niin vähän mutkia kuin mahdollista (suurin taivekulma: 90°)

! Vältä jyrkkiä muutoksia hormin poikkileikkauksessa.

! Käytä hormia, joka on sisältä niin sileä kuin mahdollista.

! Hormin on oltava valmistettu sertifioidusta materiaalista.



Suodatinversio

Versioon tarvitaan yksi aktiivihiiisuodatin, joka on saatavana tavalliselta jälleenmyyjältämme. Suodatin poistaa rasvan ja hajut imetystä ilmastasta ja syöttää sen sitten takaisin huoneeseen ylempään poistoriitän kautta.

ASENNUS

Keittotasolla olevien keittoastioiden tukipinnan ja liesituulettimen alhaisimman osan välinen pienin etäisyys ei saa olla alle 55cm sähkökeittotasojen ja 65 cm kaasu- tai monitoimikeittotasojen kohdalla.

Jos kaasukeittotasojen asennusohjeissa on määritetty suurempi etäisyys, sitä on noudatettava.



Sähköliitäntä

Verkkovirran täytyy vastata liesituulettimen sisäpuolella sijaitsevalla levyllä ilmoitettua arvoa. Jos laite on varustettu pistokkeella, liitä liesituuletin asennuksen jälkeen määräystenmukaiseen pistorasiaan, johon pääsee helposti käsiksi. Jos liesituuletinta ei ole varustettu pistokkeella (suora sähköliitäntä) tai pistoke ei sijaitse paikassa, jossa siihen pääsee käsiksi asennuksen jälkeen, käytä standardien mukaista kaksinaapaista kytkintä, joka varmistaa laitteen täydellisen erottamisen sähköverkosta asennusohjeiden mukaisesti olosuhteissa, jotka liittyvät ylivirtaluokkaan III.

Varoitus! Ennen kuin liität liesituulettimen uudelleen verkkovirtaan ja tarkastat, toimiiko se tehokkaasti, tarkasta aina, että virtajohto on asennettu oikein.

Kiinnitys

Erittäin painava tuote; liesituulettimen käsittelyyn ja asennukseen vaaditaan aina vähintään kaksi henkilöä.

Ennen kuin aloitat asennuksen:

- Tarkasta, että ostettu tuote on sopivan kokoinen asennuspaikkaan.
- Poista hiilisuodattimet (*), jos sellaiset sisältyvät toimitukseen (katso myös vastaava luku). Se/ne on asennettava ainoastaan, jos haluat käyttää liesituuletinta suodattavana versiona.
- Tarkasta, ettei liesituulettimen sisällä ole (kuljetussyistä) mitään muuta materiaalia (esim. ruuvipaketteja (*), takuupapereita (*), jne.), jotka on mahdollisesti poistettava ja säilytettävä.
- Mikäli mahdollista, irrota ja poista erillinen tai siirrettävissä oleva liesi keittiökaluksen aukosta, jotta takaseinään/kattoon pääsee paremmin käsiksi. Laita muussa tapauksessa työtaason, keittotason tai lieden päälle paksu suojapeite sen suojaamiseksi vaurioitumiselta ja lialta. Valitse tasainen pinta laitteen kokoamiseksi. Peitä pinta suojapeitteellä ja aseta kaikki liesituulettimen osat ja kiinnityskappaleet sen päälle.
- Tarkasta myös, onko liesituulettimen asennusalueen lähellä (alueella, johon pääsee käsiksi myös liesituulettimen ollessa asennettuna) käytettävissä pistorasia, ja voidaanko ulkopuolelle liittää käyräpoistolaitte (vain imevä malli).
- Tee vaadittavat asennustyöt (esim. pistorasian asentaminen ja/tai reiän tekeminen poistoputkea varten vaadittavalle kanavalle).

Toimitukseen sisältyvät laajennustulpat on tarkoitettu kiinnittämään liesituuletin tyypisiin seinin/välikattoihin. Kuitenkin pätevän tekniikon on varmistettava, että materiaalit soveltuvat kyseessä oleville seinä-/kattotyypeille käytettäviksi. Seinän/välikaton täytyy olla riittävästi vahva kantamaan liesituulettimen paino. **Älä kiinnitä laitetta seinään laatoilla, laastilla tai silikonilla. Vain pinta-asennus.**

KÄYTTÖ

Käytä voimakasta imutehoa, jos keittiössä on voimakasta käryä. Suosittelemme käynnistämään liesituulettimen 5 minuutiksi ennen ruoanlaittoa ja antamaan sen käydä noin 15 minuuttia ruoanlaiton lopettamisen jälkeen.

Mekaaniset säätimet



- ⏻ Sytytä valo painamalla valopainiketta. Sammuta valo painamalla sitä uudelleen.
- 🌀 Käynnistä moottori nopeudelle 1 painamalla Nopeus 1 -painiketta.
- 🌀 Käynnistä moottori nopeudelle 2 painamalla Nopeus 2 -painiketta.
- 🌀 Käynnistä moottori nopeudelle 3 painamalla Nopeus 3 -painiketta.
- ⊞ Pysäytä moottori painamalla virrankatkaisupainiketta.

Kosketussäätimet



Kun liesituuletin on kytketty virtalähteeseen, se on valmiustilassa, ja pelkästään virtapainike ja valopainike ovat himmeästi valaistut. Nopeus 1–3 -painikkeet eivät ole valaistuja, eikä niitä voida valita.

- ⏻ Aloita moottorinopeuden valinta painamalla virtapainiketta. Kun virtapainike on valittuna, Nopeus 1–3 -painikkeet ovat himmeästi valaistut.
- 🌀 Käynnistä moottori nopeudelle 1 painamalla Nopeus 1 -painiketta.
- 🌀 Käynnistä moottori nopeudelle 2 painamalla Nopeus 2 -painiketta.
- 🌀 Käynnistä moottori nopeudelle 3 painamalla Nopeus 3 -painiketta.
- ⊞ Sytytä valo painamalla valopainiketta. Sammuta valo painamalla sitä uudelleen.

HUOLTO

HUOMIO! Ennen kuin suoritat laitteelle mitään huoltotoimenpiteitä, erota liesituuletin sähkönsyötöstä kytkemällä se pois päältä kytkimellä ja poistamalla kytkimen sulake.

Tai jos laite on kytketty pistokkeen ja pistorasian kautta, pistoke on irrotettava pistorasiasta.

Puhdistus

Liesituuletin on puhdistettava säännöllisesti sisältä ja ulkoa (vähintään yhtä usein kuin suoritat rasvasuodattimien huollon). Puhdista liinalla, joka on kostutettu neutraalilla nestemäisellä pesuaineella. Älä käytä hankaavia tuotteita. **ÄLÄ KÄYTÄ ALKOHOLIA!**

VAROITUS: Jos liesituulettimen puhdistamista ja suodattimien vaihtoa koskevia perussuosituksia ei noudateta asianmukaisesti, voi seurauksena olla tulipalon vaara. Suosittelemme siis noudattamaan ohjeita.

Valmistaja ei ota minkäänlaista vastuuta moottorin vaurioitumisesta tai tulipalosta johtuvista vaurioista, jotka ovat seurausta epäasianmukaisesta huollosta tai turvallisuusohjeiden noudattamatta jättämisestä.

Rasvasuodatin

Sieppaa keittorasvan hiukkasia.

Rasvasuodatin on puhdistettava kerran kuukaudessa miedolla pesuaineella joko käsin tai astianpesukoneessa, johon on valittava alhainen lämpötila ja lyhyt pesuohjelma. Pestäessä astianpesukoneessa rasvasuodatin voi värjäytyä hiukan, mutta tämä ei vaikuta sen suodatuskykyyn. Irtota rasvasuodatin vetämällä jousen vapautuskahvasta.

Hiilisuodatin (vain suodatinmalli)

Se imee ruoanlaitossa syntyvät epämiellyttävät hajut.

Hiilisuodatin kyllästyy epäpuhtauksilla pitempiaikaisen käytön jälkeen riippuen ruoanlaittotavasta ja siitä, kuinka usein rasvasuodatin puhdistetaan.

Panos on kuitenkin vaihdettava vähintään neljän kuukauden välein.

Hiilisuodatinta EI saa pestä tai puhdistaa.

Pyöreä hiilisuodatin

Aseta yksi kummallekin puolelle peittämään kumpikin moottorin puhaltimen suojaritilä ja kierrä myötäpäivään.

Pura kiertämällä vastapäivään.

Lamppujen vaihtaminen

Liesituuletin on varustettu LED-tekniologiaan perustuvalla valojärjestelmällä.

LEDit takaavat optimaalisen valaistuksen, ja ne kestävät jopa 10 kertaa pidempään kuin perinteiset lamput ja mahdollistavat jopa 90 prosentin sähkön säästön.

Jos valaistusjärjestelmässä on toimintahäiriö, ota yhteys huoltoon.

Veillez suivre scrupuleusement les instructions de cette notice. Le constructeur décline toute responsabilité pour tout inconvénient, dommage ou incendie résultant du non-respect des consignes figurant dans ce manuel. La hotte est prévue pour aspirer les fumées et vapeurs de cuisson et elle est destinée exclusivement à un usage ménager.

La hotte peut avoir un aspect différent de celui qui est représenté dans les illustrations de ce mode d'emploi, cependant les instructions pour l'utilisation, l'entretien et l'installation restent identiques.

- ! Conservez ce manuel pour pouvoir le consulter à tout moment. En cas de vente, de cession ou de déménagement, veillez à ce qu'il reste avec l'appareil.
- ! Lisez attentivement cette notice : elle comporte des informations importantes sur l'installation, l'utilisation et la sécurité.
- ! N'effectuez pas de modifications électriques ou mécaniques sur l'appareil ou sur le conduit d'évacuation.
- ! Avant d'installer l'appareil, vérifiez qu'aucun élément n'est endommagé. Si c'était le cas, contactez votre revendeur et ne procédez pas à l'installation.

Note : les éléments pourvus d'un astérisque (*) sont des accessoires optionnels fournis uniquement avec certains modèles ou des pièces non fournies qui doivent être achetées à part.



MISE EN GARDE

ATTENTION !

- ! Ne raccordez pas l'appareil au circuit électrique tant que l'installation n'est pas complètement terminée.
- ! Avant toute opération de nettoyage ou d'entretien, mettez la hotte hors tension en débranchant la prise secteur ou, en cas de raccordement permanent, en désarmant le disjoncteur.
- ! Mettez des gants de protection avant d'effectuer toute opération d'installation et d'entretien.
- ! Cet appareil n'est pas prévu pour les enfants ou les personnes à capacités physiques, sensorielles ou mentales réduites ou manquant d'expérience et de connaissances. Elles ne pourront l'utiliser que sous la surveillance d'un adulte responsable de leur sécurité et après avoir été mises au courant de son fonctionnement.
- ! La hotte est prévue pour des adultes. Surveillez les enfants afin qu'ils ne jouent pas avec l'appareil ou avec ses commandes.
- ! Ne mettez jamais la hotte en marche si la grille n'est pas bien en place.
- ! Ne déposez AUCUN objet sur la hotte sauf si cela est expressément autorisé.
- ! Quand la hotte fonctionne en même temps que d'autres appareils à gaz ou autres combustibles, la cuisine doit disposer d'une ventilation suffisante.
- ! L'air aspiré par la hotte ne doit jamais être expulsé dans le conduit d'évacuation des fumées de combustion dégagées par des appareils fonctionnant au gaz ou autres combustibles.
- ! Il est formellement interdit de flamber les aliments sous la hotte.
- ! Évitez de laisser brûler une flamme nue sous la hotte, car cela peut endommager les filtres et provoquer un incendie.
- ! Surveillez vos frites en permanence, car la graisse ou l'huile surchauffée peut prendre feu.
- ! Les parties accessibles de la hotte peuvent devenir assez chaudes quand les appareils de cuisson sont en marche.
- ! En ce qui concerne les mesures techniques de sécurité pour l'évacuation des fumées, respectez strictement les réglementations et normes en vigueur dans votre pays.
- ! La hotte doit être régulièrement nettoyée, aussi bien à l'intérieur qu'à l'extérieur (AU MOINS UNE FOIS PAR MOIS), et ceci en respectant les instructions d'entretien fournies dans ce manuel. Le non-respect des consignes concernant le nettoyage de la hotte ainsi que le remplacement et le nettoyage des filtres peut entraîner un risque d'incendie.
- ! Afin d'éviter tout risque de choc électrique, n'utilisez pas la hotte si les lampes ne sont pas bien en place.
- ! Nous déclinons toute responsabilité pour tout dysfonctionnement, dommage ou incendie résultant du non-respect des consignes figurant dans cette notice.



Ce symbole figure sur le produit ou sur son emballage en application de la directive européenne 2002/96/CE sur les Déchets d'Équipement Électrique et Électronique (DEEE). Cette directive sert de règlement cadre à la reprise, au recyclage et à la valorisation des appareils usagés dans toute l'Europe. Ce produit doit donc faire l'objet d'une collecte sélective. Lorsque vous ne l'utiliserez plus, remettez-le à un service de ramassage spécialisé ou à une déchèterie qui traite les DEEE ; vous contribuerez ainsi à éviter des conséquences néfastes pour la santé et l'environnement. Pour tout renseignement sur la mise au rebut et le recyclage de ce produit, veuillez contacter la mairie ou le service de la propreté de votre commune, ou encore le magasin dans lequel vous l'avez acheté.

Cet appareil a été développé, testé et fabriqué conformément aux normes suivantes :

- **Sécurité :** EN/IEC 60335 ; EN/IEC 60335-2-31, EN/IEC 62233.
- **Performances :** EN/IEC 61591 ; ISO 5167-1 ; ISO 5167-3 ; ISO 5168 ; EN/IEC 60704-1 ; EN/IEC 60704-2-13 ; ISO 3741 ; EN 50564 ; IEC 62301.
- **Compatibilité électromagnétique :** EN 55014-1 ; CISPR 14-1 ; EN 55014-2 ; CISPR 14-2 ; EN/IEC 61000-3-2 ; EN/IEC 61000-3-3.

Suggestions pour une utilisation correcte afin de réduire l'impact sur l'environnement : mettez la hotte en MARCHÉ à la vitesse minimale lorsque vous commencez à cuisiner et laissez-la fonctionner quelques minutes après la fin de la cuisson. Augmentez la vitesse uniquement en cas de fumée et de vapeur importantes et n'utilisez la fonction booster que dans des situations extrêmes. Remplacez le ou les filtre(s) à charbon quand cela est nécessaire pour que les odeurs soient éliminées. Nettoyez le(s) filtre(s) à graisse quand cela est nécessaire pour maintenir son/leur efficacité. Concernant la gaine d'évacuation, choisissez le diamètre maximum indiqué dans ce manuel pour optimiser l'efficacité et minimiser le bruit.

Consignes supplémentaires pour l'installation

Pour l'installation, utilisez uniquement les vis de fixation fournies avec le produit ou, à défaut, achetez des vis appropriées. Elles doivent avoir la longueur indiquée dans le Guide d'installation.

En cas de doute, consultez le service après-vente agréé ou une personne qualifiée.

ATTENTION ! Si les vis ou le dispositif de fixation ne sont pas installés conformément à ces instructions, cela peut entraîner des risques électriques.

UTILISATION

La hotte peut fonctionner en mode évacuation ou en mode recyclage.



Version évacuation

Dans ce cas, les vapeurs de cuisson sont expulsées vers l'extérieur à travers un tuyau d'évacuation qui est fixé à un raccord cylindrique monté sur la partie supérieure de la hotte.

Attention ! Le tuyau d'évacuation n'est pas fourni et doit être acheté à part.

Son diamètre doit être égal à celui du raccord cylindrique.

Sur son parcours horizontal, le tuyau doit être légèrement incliné vers le haut (10° environ) de façon à expulser l'air plus facilement vers l'extérieur.

Attention ! Si la hotte est équipée d'un filtre à charbon, il faudra le retirer.

Le tuyau d'évacuation raccordé à la hotte et les trous percés dans les murs pour le passage du tuyau doivent avoir le même diamètre que la sortie d'air. S'ils ont un diamètre inférieur, cela entraînera une diminution des performances d'aspiration et une nette augmentation du bruit. Nous déclinons toute responsabilité à cet égard.

! Le tuyau ne doit pas être plus long que nécessaire.

! Les coudes du tuyau doivent être les moins nombreux possibles (angle maximum du coude : 90°).

! Évitez les variations excessives de la section du tuyau.

! Utilisez un tuyau le plus lisse possible sur sa partie interne.

! Le matériau du tuyau doit être conforme aux normes en vigueur.



Version recyclage

Il convient d'utiliser un filtre à charbon actif, disponible auprès de votre revendeur habituel.

L'air aspiré sera dégraissé et désodorisé avant d'être refoulé dans la pièce à travers la grille supérieure.

INSTALLATION

La hotte ne doit pas être installée à moins de 50 cm au-dessus d'une table de cuisson électrique et à moins de 65 cm d'une table à gaz ou mixte.

Si la notice d'utilisation d'une cuisinière ou d'une table de cuisson à gaz prévoit une distance supérieure, il faudra suivre ces recommandations.



Raccordement électrique

La tension et la fréquence du réseau électrique de votre habitation doivent correspondre à la tension et à la fréquence indiquées sur la plaque signalétique apposée à l'intérieur de l'appareil. Si la hotte comporte un cordon secteur, enfoncez fermement la fiche dans une prise murale qui devra être conforme aux réglementations et normes en vigueur ; cette prise devra demeurer accessible après l'installation. Si la hotte n'est pas équipée d'un cordon secteur, ou si la prise murale ne se trouve pas dans une zone accessible après installation, l'appareil devra être raccordé directement au réseau électrique ; il faudra alors, conformément aux règles de l'art, prévoir un disjoncteur bipolaire normalisé, capable de séparer complètement l'appareil du circuit électrique en cas de surtension de catégorie III.

Attention : avant de reconnecter la hotte au réseau électrique et de contrôler son bon fonctionnement, vérifiez toujours que le câble d'alimentation est installé correctement.

Pose

L'appareil est très lourd ; il faut prévoir au moins deux personnes pour le manipuler et l'installer.

Avant de commencer l'installation :

- Vérifiez que le produit acheté a les dimensions adéquates pour être installé à l'emplacement choisi.
- Enlevez le(s) filtre(s) à charbon actif (*) s'ils sont fournis (voir également le chapitre "Entretien"). Il faudra les remettre en place uniquement si l'on utilise la hotte en mode recyclage.
- Vérifiez qu'il ne reste pas de petit matériel à l'intérieur de la hotte (sachet de vis (*), carte de garantie (*), etc. Si c'est le cas, retirez-les et conservez-les.
- Enlevez si possible les meubles qui encadrent la hotte et se trouvent au-dessous d'elle afin d'accéder plus facilement au mur ou au plafond où elle sera fixée. Si ce n'est pas possible, étalez une toile épaisse sur la table de cuisson, le plan de travail et les meubles adjacents pour les protéger des dégâts éventuels et des salissures. Choisissez une surface plane pour assembler l'appareil. Couvrez cette surface d'une protection, puis placez-y la hotte et toutes les pièces fournies.
- Vérifiez s'il existe, à proximité de l'emplacement destiné à la hotte, une prise de courant qui restera accessible quand l'appareil sera installé. Assurez-vous également qu'il est possible de raccorder la hotte à une gaine d'évacuation débouchant à l'extérieur de l'habitation (uniquement si vous voulez utiliser l'appareil en mode évacuation).
- Réalisez tous les travaux préparatoires (installation d'une prise secteur, perçage d'un trou pour le passage du tuyau d'évacuation des vapeurs).

La hotte est livrée avec des chevilles à expansion permettant de la fixer solidement à la plupart des murs et plafonds. Il est cependant conseillé qu'un technicien qualifié vérifie si les chevilles et vis sont appropriées pour votre mur/plafond. Le mur ou le plafond doit être suffisamment solide pour supporter le poids de la hotte. **Ne carrez pas la hotte et n'y posez pas de joint en silicone ou autre matière ; elle doit être simplement fixée au mur.**

FONCTIONNEMENT

Utilisez la puissance d'aspiration maximale en cas de concentration très importante de vapeurs de cuisson. Nous vous conseillons de mettre la hotte en marche 5 minutes avant de commencer la cuisson et de la laisser fonctionner 15 minutes après l'avoir terminée.

Commandes mécaniques



☉ Appuyez sur le bouton Éclairage pour ALLUMER la lumière. Appuyez de nouveau sur ce bouton pour l'ÉTEINDRE.

☉ Appuyez sur le bouton Vitesse 1 pour faire démarrer le moteur à la vitesse 1.

☉ Appuyez sur le bouton Vitesse 2 pour faire démarrer le moteur à la vitesse 2.

☉ Appuyez sur le bouton Vitesse 3 pour faire démarrer le moteur à la vitesse 3.

○ Appuyez sur le bouton Arrêt pour arrêter le moteur.

Touches électroniques



Lorsque la hotte est raccordée au secteur, elle est en mode veille et seules les touches Marche/Arrêt et Éclairage sont semi-lumineuses. Les touches des vitesses 1 à 3 ne sont pas rétro-éclairées et vous ne pouvez pas les sélectionner.

☉ Appuyez sur la touche Marche/Arrêt pour pouvoir sélectionner la vitesse du moteur. Dès que vous effleurez la touche Marche/Arrêt, les touches des vitesses 1 à 3 sont semi-lumineuses.

☉ Appuyez sur la touche Vitesse 1 pour faire démarrer le moteur à la vitesse 1

☉ Appuyez sur la touche Vitesse 2 pour faire démarrer le moteur à la vitesse 2

☉ Appuyez sur la touche Vitesse 3 pour faire démarrer le moteur à la vitesse 3

☉ Appuyez sur la touche Éclairage pour ALLUMER la lumière. Appuyez de nouveau sur cette touche pour l'ÉTEINDRE.

ENTRETIEN

ATTENTION : avant toute opération de nettoyage ou d'entretien, mettez l'appareil hors tension en débranchant le cordon secteur ou, en cas de raccordement permanent, en désarmant le disjoncteur, ou encore en retirant le fusible.

Nettoyage

La hotte doit être nettoyée régulièrement à l'intérieur et à l'extérieur (au moins à la même fréquence que les filtres à graisse). Utilisez pour cela une éponge douce et un détergent liquide neutre. Évitez tout produit abrasif. **N'UTILISEZ PAS D'ALCOOL !**

ATTENTION : si vous n'observez pas les recommandations concernant le nettoyage de la hotte et le remplacement des filtres, vous pouvez vous exposer à un risque d'incendie.

La responsabilité du constructeur ne peut en aucun cas être engagée dans le cas de dommages au moteur ou d'incendie résultant d'un entretien négligeant ou du non-respect des consignes de sécurité précédemment mentionnées.

Filtre à graisse

Il retient les particules grasses provenant de la cuisson

Le filtre à graisse doit être nettoyé une fois par mois avec un détergent non agressif, à la main ou dans le lave-vaisselle en sélectionnant un programme court à température modérée. Le nettoyage en lave-vaisselle peut décolorer le filtre à graisse, mais ceci n'altère nullement son efficacité.

Pour enlever le filtre à graisse, tirez la petite poignée à ressort.

Filtre à charbon actif (version recyclage uniquement)

Il neutralise les odeurs désagréables de cuisson.

Le filtre à charbon actif est saturé au bout d'une durée d'utilisation plus ou moins longue, en fonction du type de cuisson que vous pratiquez et de la régularité du nettoyage du filtre à graisse.

Dans tous les cas, il faut remplacer la cartouche au moins tous les 4 mois. Le filtre à charbon ne **DOIT PAS** être lavé ou régénéré.

Filtres à charbon circulaires

Appliquez un filtre de chaque côté, sur les deux grilles protégeant les pales du ventilateur, puis tournez-les dans le sens des aiguilles d'une montre.

Pour les enlever, tournez-les dans le sens antihoraire.

Remplacement des lampes

La hotte est équipée de lampes à LED.

Elles garantissent un éclairage optimal, durent dix fois plus longtemps que les ampoules traditionnelles et permettent d'économiser 90% d'électricité.

En cas de dysfonctionnement du système d'éclairage, contacter le service technique.

Strogo se pridržavajte uputa koje donosi ovaj priručnik. Proizvođač otklanja bilo kakvu odgovornost za eventualne nezgode, štete ili požar, do kojega bi moglo doći zbog neuvažavanja uputa koje donosi ovaj priručnik. Kuhinjska napa projektirana je za odvođenje dima i pare koji nastaju tijekom kuhanja, i namijenjena je isključivo korištenju doma, odnosno za kućnu uporabu.

Izgled nape može se razlikovati od ilustracija i crteža u ovoj knjižici. Bez obzira na to, upute za uporabu, održavanje i montažu ostaju nepromijenjena.

! Važno je sačuvati ovaj priručnik kako biste ga kasnije mogli konzultirati u bilo kojem trenutku. U slučaju da ovaj proizvod prodate, poklonite ili da se preselite, vodite računa o tome da priručnik bude uvijek zajedno s proizvodom.

! Pažljivo pročitajte upute buduće da se u njima nalaze važne informacije o instalaciji, uporabi i sigurnosti.

! Nemojte provoditi nikakve mehaničke ili električne prilagodbe (izmjene), odnosno zahvate na proizvodu ili na odvodnim cijevima za izbacivanje pare.

! Prije instalacije aparata provjerite da li ste primili sve komponente neoštećene. Ako otkrijete da je neki sastavni dio oštećen, pozovite ovog trgovca, a aparat nemojte instalirati.

Napomena: Pojednosti koje su označene znakom "(*)" su opcionalni pribor koji je priložen samo k određenim modelima, ili je na raspolaganju kao dodatna oprema, koja nije priložena k aparatu.



UPOZORENJE:

! Pozor! Aparat nemojte priključivati na električnu mrežu sve dok niste kompletno završili s instaliranjem.

! Prije bilo kakvog čišćenja ili održavanja, iskopčajte kuhinjsku napu iz električne mreže vadeći utikač ili isključujući opći kućni prekidač/sklopku, odnosno osigurač.

! Tijekom svih radova na instalaciji i montaži te održavanju nape, uvijek nosite zaštitne rukavice.

! Ovaj aparat nije namijenjen uporabi od strane djece ili osoba koje imaju smanjene fizičke, mentalne ili osjetne sposobnosti, i kojima nedostaje iskustva i saznanja, osim ako nisu pod nadzorom osoba koje su odgovorne za njihovu sigurnost, koje će ih poučiti o sigurnoj rabi aparata.

! Aparat je namijenjen odraslim osobama. Trebate paziti na malu djecu i nemojte im dozvoliti da se igraju aparatom.

! Aparat je namijenjen odraslim osobama. Nemojte dozvoliti djeci da se igraju s upravljačkim elementima aparata ili sa samim aparatom.

! Kuhinjsku napu nemojte nikada koristiti ako pregrada ili mrežica na njoj nije pravilno montirana!

! NIKADA nemojte koristiti napu kao podlogu na koju ćete polagati predmete ukoliko to nije jasno naglašeno.

! Prostorija treba imati dovoljno provjetravanje, kada se kuhinjska napa koristi istovremeno s drugim aparatima u kojima sagorijeva zemni plin ili neko drugo gorivo.

! Sustav za odvajanje hlapova iz ovog aparata ne smije biti proveden u postojeći ventilacijski sustav koji se koristi u druge svrhe, primjerice za izbacivanje dimova koje proizvode ostali aparati, koji za svoj rad koriste plin ili neko drugo gorivo.

! Strogo se zabranjuje flambiranje, odnosno uporaba otvorenog plamena za pripremanje hrane ispod nape.

! Korištenje nekontroliranog otvorenog plamena je štetno za filtre, a može izazvati i požar, te bi ga u svakom slučaju trebalo izbjegavati.

! Držite pod kontrolom postupak pri prženju kako biste izbjegli da se pregrijano ulje zapali.

! Dostupni dijelovi nape mogu jače ugrijati se tijekom rada uređaja za kuhanje postavljenog ispod nape.

! Što se tiče tehničkih mjera kojih se treba pridržavati s obzirom na odvajanje dima, strogo se pridržavajte pravilnika nadležnih lokalnih vlasti.

! Kuhinjsku napu treba često i redovito čistiti i prati i izvana i iznutra (BAREM JEDNOM MJESEČNO).

! Napu čistite u skladu sa svime što je navedeno u uputama za održavanje koje donosi ovaj priručnik. Nepoštivanje propisa o čišćenju nape i zamjene i čišćenja filtra povećava opasnost od požara.

! Kuhinjsku napu nemojte upotrebljavati niti je ostavljati, a da niste pravilno montirali osvjetljenje, jer postoji rizik od električnog udara.

! Proizvođač otklanja bilo kakvu odgovornost radi eventualnih nepravilnosti, štete ili požara koje bi mogao izazvati aparat ili koji bi nastali na aparatu, a koje proizlaze iz nepoštivanja uputa koje donosi ovaj priručnik.

! Ovaj je uređaj označen u skladu s Europskom direktivom 2002/96/EU o otpadnoj električnoj i elektronskoj opremi. Brigom za ispravno zbrinjavanje ovog proizvoda dajete svoj doprinos k sprječavanju potencijalno negativnih posljedica na okoliš i zdravlje ljudi, koje bi inače mogli ugroziti neodgovarajućim zbrinjavanjem ovog proizvoda nakon završetka njegova životnog vijeka.



Simbol na proizvodu ili na pripadajućoj dokumentaciji označuje da s tim proizvodom ne smijete postupati kao s ostalim kućanskim otpadom. Umjesto toga, uređaj je potrebno dostaviti na prikladna zbira mjesta za recikliranje električne i električke opreme. Aparat treba zbrinuti u skladu s lokalnim propisima glede zaštite okoline i odlaganja otpadaka.

Za detaljnije informacije o preradi, prikupljanju i recikliranju ovog proizvoda molimo vas da kontaktirate nadležni odjel lokalnih vlasti, komunalnu službu za odvoz kućanskog otpada ili na prodavaonicu u kojoj ste kupili proizvod.

Aparat je dizajniran, ispitivan i izrađen u skladu sa sljedećim standardima odnosno propisima:

- **Sigurnost:** EN/IEC 60335-1; EN/IEC 60335-2-31, EN/IEC 62233.
- **Učinkovitost djelovanja:** EN/IEC 61591; ISO 5167-1; ISO 5167-3; ISO 5168; EN/IEC 60704-1; EN/IEC 60704-2-13; ISO 3741; EN 50564; IEC 62301.
- **EMC (elektromagnetska kompatibilnost):** EN 55014-1; CISPR 14-1; EN 55014-2; CISPR 14-2; EN/IEC 61000-3-2; EN/IEC 61000-3-3.

Preporuke za pravilnu uporabu da bi smanjili utjecaj na okoliš: UPUTITE napu u rad na minimalnoj brzini kada započinjete s kuhanjem. Ostavite je da radi još nekoliko minuta nakon što ste završili s kuhanjem. Brzinu odnosno stupanj rada povećajte samo u slučaju veće količine dima i pare, a izrazito jak stupanj rada, odnosno visoku brzinu koristite isključivo u krajnjim slučajevima. Po potrebi zamijenite ugljene filtre (odnosno ugljeni filtar), kako biste sačuvali dobru učinkovitost odstranjivanja neprijatnih mirisa. Po potrebi očistite filtre za masnoću (odnosno filtar za masnoću), kako biste sačuvali njihovu učinkovitost. Koristite odvodne cijevi s najvećim promjerom, navedenim u ovom priručniku, jer će tako učinkovitost biti optimalna, a buka minimalna.

Dodatne specifikacije u vezi instalacije nape:

Za instalaciju nape koristite samo vijke za pričvršćenje koji su priloženi k aparatu. Ako vijci nisu priloženi, trebate kupiti vijke odgovarajućeg tipa.

Koristite pravilnu dužinu vijaka, u skladu s podacima u Uputama za montažu.

Ako se dvoumite posavjetujte se s ovlaštenim servisierom, centrom za pomoć korisnicima, ili s nekom drugom odgovarajuće obučenom osobom.

UPOZORENJE! Ako vijke ili okove za pričvršćenje ne montirate u skladu s tim uputama može nastati opasnost električnog udara.

UPORABA

Napa je izrađena tako da se može koristiti bilo u odvodnoj ili u filtarskoj verziji.



Odvodna verzija

U ovom se slučaju para i dim izbacuju vani uz pomoć posebne cijevi za odvod koja se pričvršćuje za spojnu prirubnicu na gornjem dijelu nape.

Pažnja! Odvodna cijev nije priložena s opremom te se treba kupiti.

Promjer odvodne cijevi treba biti jednak promjeru priključne prirubnice.

U vodoravnom dijelu, cijev se treba lagano podizati prema gore (za otprilike 10°) na način da izbací što je lakše moguće zrak prema vani.

Pažnja! Ako je kuhinjska napa opremljena karbonskim filterima, oni se trebaju ukloniti.

Za spajanje kuhinjske nape i otvora u zidu za odvajanje dima odnosno plinova koristite cijev s istim promjerom kojeg ima i otvor za zrak na napi (spojna prirubnica).

Korištenje cijevi i otvora za izbacivanje na zidu koje imaju manji promjer će smanjiti sposobnost usisavanja te će dovesti do znatnog povećanja buke.

Proizvođač otklanja bilo kakvu odgovornost u svezi s takvim slučajevima.

! Koristite odvodnu cijev koja treba biti što kraća.

! Kada instalirate odvodnu cijev gledajte da ima minimalni mogući broj pregiba. Najveći dozvoljeni kut zavoja iznosi 90°.

! Izbjegavajte drastične promjene veličine promjera cijevi.

! Koristite cijevi koje imaju što je moguće gladu unutrašnjost.

! Materijal od kojeg je napravljena cijev za odvod zraka treba biti odobren odgovarajućim certifikatima.



Filtarska verzija

Za ovu varijantu treba vam ugljeni filtar, kojeg možete nabaviti u trgovini s kućanskim aparatima.

Filtar će očistiti usisani zrak od masnoća i mirisa, te će ga očišćenog ponovno vratiti u prostoriju kroz izlazne otvore na gornjoj strani aparata.

MONTAŽA

Minimalna udaljenost između nosive podloge za posude na uređaju za kuhanje i najnižeg dijela kuhinjske nape ne smije biti niža od 55cm kada se radi o električnim pločama za kuhanje, a 65 cm u slučaju plinskih ili kombiniranih ploča za kuhanje.

Ukoliko upute za instalaciju aparata na plin govore da je potrebno održavati veći razmak, trebate ih se pridržavati.



PRIKLJUČENJE NA ELEKTRIČNU INSTALACIJU

Napon električne mreže treba odgovarati specifikacijama napona koji je naveden na tipskoj pločici koja se nalazi u unutrašnjosti kuhinjske nape. Ukoliko je na priključnom kabelu utikač, povežite kuhinjsku napu preko utičnice koja zadovoljava važeće propise na snazi i koja je postavljena na pristupačnom mjestu čak i nakon instalacije. Ako priključni kabel nije opremljen utikačem (direktno povezivanje s mrežom) ili utikač nije postavljen na pristupačnom mjestu nakon instalacije, treba ugraditi dvopolan prekidač koji je u skladu sa standardima i koji osigurava kompletno iskopčavanje aparata od električne mreže u uvjetima kategorije III o previsokom naponu, u skladu s pravilima o instalaciji.

Upozorenje! Prije nego što kuhinjsku napu ponovno priključite na električnu mrežu te provjerite pravilno funkcioniranje, uvijek provjerite je li priključni kabel bio pravilno montiran.

Način montaže

Aparat je vrlo težak. U postavljanju i rukovanju napom prilikom njene instalacije neka učestvuju barem dvije osobe.

Prije nego što počnete s montažom:

- Provjerite da li proizvod koji ste kupili ima dimenzije koje odgovaraju mjestu koje ste odabrali za instalaciju.
- Uklonite ugljene filtre odnosno karbonski filtar (*) ukoliko je priložen (pogledati poglavlje koje se odnosi na to). Ugljene filtre (odnosno ugljeni filtar) treba montirati samo ukoliko koristite kuhinjsku napu u filterskoj verziji.
- Provjerite da se u unutrašnjosti nape ne nalazi možda kakav materijal ili drugi predmeti (koji bi tamo mogli pasti tijekom prijevoza (primjerice vrećice s vijcima (*), garancijski list (*), itd.) , te ih po potrebi izvadite i sačuvajte.
- Ukoliko je moguće, iskopčajte i pomaknite slobodno stojeći štednjak ili namještaj koji je ispod ili u blizini zone na koju se postavlja kuhinjska napa kako bi se olakšao pristup stropu ili zidu na koji se postavlja napa. Ukoliko to nije moguće, preko površine za kuhanje ili preko štednjaka rebacite deblju zaštitnu prevlaku, kako bi zaštitili sve ono što bi moglo biti oštećeno prilikom montaže nape. Za sastavljanje aparata odaberite ravnu površinu i pokrijte je zaštitnim pokrivačem, na kojega stavite sve dijelove kuhinjske nape i materijal za njeno pričvršćivanje.
- Osim toga, uvjerite se da se u blizini zone u kojoj ćete instalirati kuhinjsku napu (u zoni u kojoj je moguć pristup i kad ste završili s montiranjem nape) nalazi i utičnica za struju i da je moguće povezati se s instalacijom za odvajanje dimova na otvoreno (samo za uisnu verziju).
- Obavite sve potrebne zidarske radove (primjerice instaliranje električne utičnice i/ili otvora za prolazak ispušne cijevi).

Kuhinjska napa ima priložene zidne plastične uloške za pričvršćivanje koji su prikladni za skoro sve zidove ili stropove. Bez obzira na to, kvalificirani stručnjak treba utvrditi prikladnost materijala obzirom na vrstu zida ili stropa. Zid ili strop treba biti dovoljno čvrst kako bi podnio težinu kuhinjske nape. Nemojte pokušavati ovaj aparat pričvrstiti na zid odnosno ugraditi ga pomoću pločica, fugime mase odnosno žbuke ili sa silikonskim kitom. Aparat je namijenjen isključivo površinskoj montaži.

FUNKCIONIRANJE APARATA

Visoku brzinu rada koristite samo u slučaju velike koncentracije pare i dima tijekom kuhanja. Savjetujemo da uključite usisavanje 5 minuta prije nego što počnete s kuhanjem i da ostavite napu da radi još otprilike 15 minuta nakon što ste završili s kuhanjem.

Mehaničko upravljanje gumbima



- ☺ Pritiskom na tipku za paljenje svjetla upali se osvjetljenje. Za isključenje osvjetljenja ponovno pritisnite tu tipku.
- ☞ Pritiskom na tipku 1 uključuje se motor koji će raditi na 1. razini brzine.
- ☞ Pritiskom na tipku 2 uključuje se motor koji će raditi na 2. razini brzine.
- ☞ Pritiskom na tipku 3 uključuje se motor koji će raditi na 3. razini brzine.
- Pritiskom na tipku za isključenje, rad motora se isključuje.

Upravljanje na dodir



Kada napu spojite na izvor električne energije, ona će se postaviti u stanje pripravnosti; djelomično su osvijetljene samo senzorska tipka za uključenje/isključenje motora, te senzorska tipka za paljenje/gašenje osvjetljenja. Senzorske tipke za odabir brzine rada motora od 1 do 3 neće biti osvijetljene, i stoga ih nije moguće birati.

- ⏻ Pritiskom na senzorsku tipku za upućivanje u rad/isključenje omogućujete odabir brzine rada motora. Kada pritisnete senzorsku tipku za uključenje/isključenje, senzorske tipke za odabir brzine rada motora (od 1 do 3) će se djelomično osvijetliti.
- ☞ Pritiskom na senzorsku tipku 1 uključuje se motor koji će raditi na 1. razini brzine.
- ☞ Pritiskom na senzorsku tipku 2 uključuje se motor koji će raditi na 2. razini brzine.
- ☞ Pritiskom na senzorsku tipku 3 uključuje se motor koji će raditi na 3. razini brzine.
- ☺ Pritiskom na senzorsku tipku za paljenje svjetla upali se osvjetljenje. Za isključenje osvjetljenja ponovno pritisnite tu tipku.

ODRŽAVANJE

PAŽNJA! Prije bilo kakvog postupka čišćenja ili održavanja, iskopčajte kuhinjsku napu iz napajanja električnom strujom na način da izvadite utičnicu ili isključite glavni prekidač odnosno osigurač kućne instalacije.

Ako je aparat priključen na električnu mrežu preko utičnice, izvucite utikač iz utičnice.

Čišćenje

Kuhinjsku napu treba često čistiti (barem isto tako često kao i filtre za uklanjanje masnoće), kako s unutrašnje tako i s vanjske strane. U tu svrhu koristite ovlaženu krpu s neutralnim deterdžentom. Izbjegavajte uporabu grubih odnosno abrazivnih proizvoda za čišćenje. NEMOJTE KORISTITI ALKOHOL! UPOZORENJE:

Ako ne poštujuete osnovne preporuke glede čišćenja aparata i pravila o zamjeni filtera povećava se rizik od požara. Stoga se preporučuje poštivanje navedenih uputa.

Proizvođač otklanja bilo kakvu odgovornost za eventualne štete nastale na motoru, ili štete koje bi nastale zbog požara izazvanog kao posljedica neodgovarajućeg održavanja ili neuvažavanja gore navedenih sigurnosnih predostrožnosti.

Filter za masnoću

Filter za masnoću zadržava čestice masnoće koje se stvaraju prilikom kuhanja.

Filter za masnoću potrebno je čistiti jednom mjesečno koristeći neagresivne deterdžente, bilo ručno ili u perilici posuda primjenom kratkog programa na niskoj temperaturi. Ako filter perete u perilici za posude, možda ćete opaziti manju promjenu ili gubitak boje, što ni u kom slučaju ne utječe na učinkovitost filtera.

Da biste skinuli filter za uklanjanje masnoće povucite ručicu na oprugu koja se otkvači.

Ugljeni filter (samo za filtersku izvedbu nape)

Ugljeni filter zadržava neugodne mirise koji se stvaraju prilikom kuhanja.

Nakon duže uporabe dolazi do zasićenja **ugljenog filtera**. Kako će se to brzo dogoditi ovisi o načinu kuhanja i o učestalosti čišćenja filtera za masnoću.

U svakom slučaju kasetu ugljenog filtera treba zamijeniti na svaka četiri mjeseca.

Ugljeni filter NIJE dozvoljeno prati ili regenerirati.

Protočni karbonski filter

Namjestite po jedan filter na svaku stranu kao pokrov, tako da štiti rešetku ventilatora, a zatim ga okrenite u smjeru kazaljki na satu.

Kada ga želite odstraniti, okrenite ga u suprotnom smjeru od kretanja kazaljki na satu.

Zamjena žarulje

Napa je opremljena sustavom za osvjetljenje koji se zasniva na LED tehnologiji.

LED žarulje omogućuju optimalno osvjetljenje, njihov životni vijek je 10 puta duži od životnog vijeka uobičajenih žarulja, a istovremeno omogućuju i 90 % uštede električne energije. U slučaju greške u radu osvjetljenja pozovite tehničku službu odnosno obratite se servisu.

Kövesse szigorúan a dokumentumban leírt utasításokat. A gyártó nem vállal felelősséget az utasításokban foglaltak be nem tartásából eredő esetleges kellemetlenségeikért, károkért vagy tüzesetekért. Az elszívó a főzés közben keletkező füst és pára elszívására szolgál és kizárólag háztartásban való használatra alkalmas.

Az elszívó különbözhet a dokumentumban szerepeltetett ábrákon látható készülékektől. Ennek ellenére a használatára, karbantartására és üzembe helyezésére vonatkozó utasítások azonosak.

- ! Fontos, hogy megőrizze a dokumentumot, mert később is szüksége lehet rá. Ha a készüléket eladja, átadja vagy más helyre költözteti, ügyeljen rá, hogy az útmutató mellékelve legyen hozzá.
- ! Olvassa át figyelmesen az útmutatót: fontos információkat talál benne a készülék üzembe helyezéséről, használatáról és a biztonságról.
- ! Ne végezzen semmilyen elektromos vagy mechanikai módosításokat a készüléken vagy az elvezető csöveken.
- ! A készülék üzembe helyezése előtt ellenőrizze, hogy az alkatrészei nem sérültek-e meg. Ha sérülést észlel, vegye fel a kapcsolatot a kereskedővel és ne helyezze üzembe a készüléket.

Megjegyzés: a „*” jellel ellátott alkatrészek opcionális kiegészítők, amelyek csak egyes modellek esetében állnak rendelkezésre, vagy külön megvásárolható elemek.



FIGYELEM!

FIGYELMEZTETÉSI

- ! Ne csatlakoztassa a készüléket az elektromos hálózatra, amíg az üzembe helyezés nem fejeződött teljesen be.
- ! A készülék tisztításának vagy karbantartásának megkezdése előtt áramtalanítsa az elszívót: húzza ki a villásdugót a konnektorból vagy kapcsolja le a főkapcsolót.
- ! Az üzembe helyezés vagy karbantartás során viseljen védőkesztyűt.
- ! A készüléket nem használhatják gyerekek vagy csökkent fizikai, érzékszervi vagy mentális képességekkel rendelkezők, illetve olyan személyek, akiknek nincs meg a készülék használatához szükséges tudásuk és tapasztalatuk – kivéve, ha a biztonságukért felelős személy részéről megfelelő útmutatást kaptak vagy ha felügyeletük biztosított.
- ! A készüléket felnőttek kell hogy működtessék. A gyerekeket felügyelni szükséges, hogy ne játszhassanak az elszívóval.
- ! A készüléket felnőttek kell hogy működtessék. A gyerekek nem piszkálhatják a vezérlő gombokat és nem játszhatnak az elszívóval.
- ! Soha ne használja a készüléket a rács rögzítése nélkül!
- ! Az elszívót soha nem szabad tartó felületként használni – kivéve, ha erre speciális útmutatás történt.
- ! A helyiségben, ahol a készülék elhelyezésre kerül, megfelelő szellőzést kell biztosítani, ha az elszívó más, gázt vagy egyéb tüzelőanyagot égető készülékekkel együtt van használatban.
- ! A készülék elvezető rendszerét nem szabad olyan, már meglévő szellőzőrendszerhez csatlakoztatni, amelyet más célra – például gázt vagy egyéb tüzelőanyagot égető készülékek égéstermékének elvezetésére – is használnak.
- ! Az elszívó alatt szigorúan tilos ételeket flambirozni!
- ! A készülék használata kárt tehet a szűrőkben és tüzet idézhet elő – ezért minden körülmények között kerülendő!
- ! Olajban való sütés közben fokozottan szükséges ügyelni arra, hogy az olaj ne hevüljön túl és ne kapjon lángra.
- ! Az elszívó egyes részei felforrósodhatnak a főzőkészülékkel történő használat során.
- ! A gázok elvezetésére vonatkozó műszaki és biztonsági intézkedések tekintetében fontos a helyi hatóságok által hozott szabályok szigorú betartása.
- ! Az elszívót kívül és belül is rendszeresen tisztítani szükséges (legalább havonta egyszer).
- ! Ezt a dokumentumban ismertetett karbantartási utasításoknak megfelelően kell elvégezni. A készülék és a szűrők tisztítására vonatkozó utasítások be nem tartása esetén tűzveszély jelentkezhet.
- ! Ne használja, illetve ne hagyja az elszívót megfelelően beszerelt lámpa nélkül – az esetleges áramütés veszélye miatt.
- ! Nem vállalunk semmilyen felelősséget a dokumentumban ismertetett utasítások be nem tartása miatt a készülékben jelentkező meghibásodások, károk vagy tüzesetek vonatkozásában.
- ! A készülék a 2002/96/EC számú, hulladék elektromos és elektronikus hulladékokról (WEEE) szóló direktívának megfelelően van jelölve. A termék megfelelő módon történő ártalmatlanításával hozzájárulhat a környezet és az emberi egészség vonatkozásában a termék nem megfelelő módon történő ártalmatlanítása esetén potenciálisan jelentkező negatív következmények elkerüléséhez.



A terméken és a termékhez mellékelte dokumentumokon látható jelölés azt jelenti, hogy a készüléket nem szabad hagyományos háztartási hulladékként kezelni, hanem egy, az elektromos és elektronikus készülékek gyűjtéséért és újrahasznosításáért felelős gyűjtőponton kell leadni. Az ártalmatlanítást a helyi, hulladékkezelésre vonatkozó környezetvédelmi szabályozásnak megfelelően kell elvégezni. A termék leadására és újrahasznosítására vonatkozó további információkért forduljon a helyi hatóság megfelelő osztályához, a háztartási hulladék kezeléséért felelős helyi szolgáltatóhoz vagy a kereskedőhöz, akitől a terméket megvásárolta.

A készülék a következő szabványoknak megfelelően került kialakításra, tesztelésre és gyártásra:

- **Biztonság:** EN/IEC 60335-1; EN/IEC 60335-2; EN/IEC 62233.
- **Teljesítmény:** EN/IEC 61591; ISO 5167-1; ISO 5167-3; ISO 5168; EN/IEC 60704-1; EN/IEC 60704-2-13; ISO 3741; EN 505564; IEC 62301
- **EMC:** EN 55014-1; CISPR 14-1; EN 55014-2; CISPR 14-2; EN/IEC 61000-3-2; EN/IEC 61000-3-3.

Javaslatok a megfelelő használatra a környezeti hatások csökkentése érdekében: A főzés kezdetekor minimális sebességre kapcsolja be az elszívót és működtesse a főzés befejeztével még néhány percig. A sebességet csak akkor növelje, ha nagyobb mennyiségű füst vagy pára képződik és csak extrém körülmények esetén használja a legmagasabb fokozato(ka)t. Szükség esetén cserélje ki a szénzsűrő(ke)t, a jó szagelszívási hatékonyság fenntartása érdekében. Szükség esetén tisztítsa meg a zsírszűrő(ke)t, a jó zsírelszívási hatékonyság fenntartása érdekében. Az elszívó rendszerben a dokumentumban jelölt maximális átmérőt alkalmazza, a hatékonyság optimalizálása és a zaj minimalizálása érdekében.

Az üzembe helyezésre vonatkozó további utasítások:

Kizárólag a termékhez mellékelte rögzítő csavarokat használja – vagy ha nincsenek mellékelve ilyen csavarok, akkor szerezze be a megfelelő csavar típust.

Használjon az üzembe helyezésre vonatkozó utasításokban megjelölt, megfelelő hosszúságú csavarokat.

Ha kétségei merülnek fel, vegye fel a kapcsolatot egy szakszervizzel vagy más képzett személlyel.

FIGYELMEZTETÉS! A rögzítő csavarok használatának elmulasztása vagy a készülék nem megfelelő módon történő rögzítése esetén elektromos veszélyhelyzetek következhetnek be.

HASZNÁLAT

Az elszívó külső kivezetéssel vagy szűrős változatban is használható.



Külső kivezetéses változat

Ebben az esetben a gázok egy, az elszívó tetején lévő csatlakozó gyűrűhöz rögzített speciális csövön keresztül távoznak az épületen kívülre. **Figyelem!** Az elvezető cső nem tartozék és külön szükséges megvásárolni.

Az elvezető cső átmérője meg kell hogy egyezzen a csatlakozó gyűrű átmérőjével.

Vízszintesen az elvezető csőnek enyhén (körülbelül 10°-ban) lejtjenie kell és felfelé kell irányulnia, hogy könnyen ki tudja vezetni a levegőt a helyiségből.

Figyelem! Ha az elszívó aktív szénzsűrővel is rendelkezik, azt el kell távolítani!

Az elszívót a levegő kimenettel megegyező átmérővel rögzítse a falakra (csatlakozó perem) és ennek megfelelő elvezető lyukat alakítson ki.

Ha a csövek és az falban kialakított elvezető lyukak kisebb átmérővel rendelkeznek, a szívóhatás kisebb lesz és ez drasztikus zajszint-emelkedést okozhat.

A gyártó e vonatkozásban mindennemű felelősséget visszautasít.

! Használjon a lehető legrövidebb elvezető csövet.

! Használjon minél kevesebb könyököt tartalmazó csövet (maximális könyökszög: 90°).

! Olyan csövet használjon, ami belülről a lehető legsimább felületű.

! A cső bevizsgált anyagból kell, hogy készüljön.



Szűrős változat

Ehhez a változathoz aktív szénzsűrő szükséges, ami a kereskedelemben beszerezhető.

A szűrő eltávolítja a zsírt és a szagokat a beszívott levegőből, mielőtt visszafújná azt a felső kimeneti rácson keresztül a helyiségbe.

ÜZEMBE HELYEZÉS

A főzőlap felső tartó felülete és az elszívó alsó része közötti minimális távolság nem lehet kevesebb 55 cm-nél elektromos főzőlapok esetében, illetve 65 cm-nél gáz és vegyes főzőlapok esetében.

Ha a főzőlap használati utasításában ennél nagyobb távolság szerepel, azt be kell tartani.



Elektromos csatlakoztatás

A háztartás elektromos hálózatának feszültsége meg kell hogy feleljen az elszívó felső részén elhelyezett adattáblán feltüntetett feszültségnek. Ha az elszívó villásdugóval rendelkezik, csatlakoztassa az érvényes előírásoknak megfelelően, egy olyan konnektorba, ami az üzembe helyezést követően is könnyen elérhető lesz. Ha a készülék nem rendelkezik villásdugóval (közvetlen hálózati csatlakoztatás), vagy a villásdugó az üzembe helyezést követően nem hozzáférhető, szereljen fel egy szabványos kétpólusú megszakítót, ami lehetővé teszi a hálózatról való teljes leválasztást III. kategóriájú túláram fennállása esetén, az üzembe helyezésre vonatkozó utasításoknak megfelelően.

Figyelmeztetés! Mielőtt az elszívó áramkört újra csatlakoztatná a hálózatra és ellenőrizné a megfelelő működést, minden ellenőrizze, hogy a csatlakozó kábel megfelelően van-e összeállítva.

Felszerelés

Nagyon nehéz termék; az elszívó mozgatásához és üzembe helyezéséhez legalább 2 személy szükséges.

Az üzembe helyezés megkezdése előtt:

- Ellenőrizze, hogy a megvásárolt termék mérete megfelel-e az üzembe helyezésre kiválasztott hely méretének.
- Távolítsa el a szénzsűrő(ke)t (*), ha rendelkezik ilyenekkel a készülék (lásd a vonatkozó bekezdést is). Ez(ek) akkor helyezendő(k) be, ha az elszívót szűrős változatban szeretné használni.
- Ellenőrizze (a szállítás miatt), hogy az elszívó belsejében nincsenek-e egyéb mellékelt tárgyak (pl. csavarokat tartalmazó zacskók (*), garancialevél (*), stb.). Ha vannak, akkor távolítsa el és őrizze meg őket.
- Ha lehetséges, kapcsolja ki a távolítsa el a szabadon álló vagy a konyhabútor-elembe becsúsztatott tűzhelyet, hogy könnyebb legyen a hozzáférés a hátsó falhoz/plafonhoz. Ha ez nem lehetséges, helyezzen egy vastag védőfedelelet a munkalap, főzőlap vagy tűzhely fölé, hogy védve legyen az esetleges sérüléstől és törmeléktől. A készülék összeszerelésére vízszintes helyet válasszon. Takarja le a felületet egy védő takaróval és helyezze el rajta az elszívó minden alkatrészét.
- Ezen felül ellenőrizze, hogy a felszerelés helyének közelében (azon a területen, ami az elszívó felszerelését követően is hozzáférhető lesz) van-e elektromos aljzat és hogy lehetséges-e a csatlakoztatás egy kültérre vezető páraelvezető rendszerhez (csak az elszívós változat esetében).
- Végezze el az összes szükséges szakmunkát (pl. elektromos aljzat felszerelése és / vagy lyuk fúrása az elvezető cső részére).

Az elszívó legtöbb típusú falhoz / plafonhoz való rögzítésére szolgáló expanzíós fali csavarok a készülékhez mellékelve vannak. Ugyanakkor, egy képzett szerelő kell hogy ellenőrizze az anyagok megfelelőségét, a fal / plafon típusának függvényében. A fal / plafon elég erős kell hogy legyen ahhoz, hogy elbírja az elszívó súlyát. **A készüléket ne próbálja csemperagasztóval, habarccsal vagy szilikonnal a falhoz rögzíteni. Kizárólag felületre szerelés.**

MŰKÖDÉS

A nagy szívóerejét kizárólag koncentrált konyhai pára esetén használja. Az elszívót javasolt a főzés megkezdése előtt 5 perccel bekapcsolni és a főzés befejezése után még körülbelül 15 percig működtetni.

Mechanikus vezérlés



⏻: Nyomja meg a világítás gombot a világítás bekapcsolásához. A kikapcsoláshoz nyomja meg ismét.

⚙️: Nyomja meg az 1-es sebességfokozat gombot a motor 1-es fokozaton történő működtetéséhez.

⚙️: Nyomja meg az 2-es sebességfokozat gombot a motor 2-es fokozaton történő működtetéséhez.

⚙️: Nyomja meg az 3-as sebességfokozat gombot a motor 3-as fokozaton történő működtetéséhez.

⏻: A motor kikapcsolásához nyomja meg a kikapcsolás gombot.

Érintéses vezérlés



Amikor az elszívó csatlakoztatásra kerül az elektromos hálózatra, a készülék készenléti üzemmódban lesz. Ilyenkor a be/kikapcsolás gomb és a világítás gomb világít halványan. Az 1-3 sebességfokozat gombok nem világítanak és nem választhatók ki.

⏻: Nyomja meg a be/kikapcsolás gombot a motor sebesség-fokozatok közötti választás elindításához. Ha a be/kikapcsolás gomb kiválasztásra került, az 1-3 sebességfokozat gombot halványan világítani kezdenek.

⚙️: Nyomja meg az 1-es sebességfokozat gombot a motor 1-es fokozaton történő működtetéséhez.

⚙️: Nyomja meg az 2-es sebességfokozat gombot a motor 2-es fokozaton történő működtetéséhez.

⚙️: Nyomja meg az 3-as sebességfokozat gombot a motor 3-as fokozaton történő működtetéséhez.

⏻: A világítás bekapcsolásához nyomja meg a világítás gombot. A kikapcsoláshoz nyomja meg ismét.

KARBANTARTÁS

FIGYELEM! Bármilyen karbantartási feladat megkezdése előtt válassza le az elszívót az elektromos hálózatról és csatlakozó kikapcsolásával és a csatlakozó biztosítékának eltávolításával.

Vagy, ha a készülék villásdugó és aljzat segítségével került csatlakoztatásra a hálózatra, húzza ki a villásdugót az aljzataból.

Tisztítás

Az elszívót rendszeresen szükséges tisztítani (legalább olyan gyakorisággal, ahogyan a zsírszűrők karbantartását végzi) – kívül és belül egyaránt. A tisztításhoz használjon nedves, semleges, folyékony tisztítószerbe áztatott ruhát. Ne használjon súroló hatású tisztítószereket. **NE HASZNÁLJON ALKOHOLT!**

FIGYELMEZTETÉS: Az elszívó alapvető tisztításának, illetve a szűrők cseréjének elmulasztása tűzveszélyt idézhet elő. Ezért javasolt a fenti utasítások betartása.

A gyártó visszautasít mindenféle felelősséget a nem megfelelő karbantartásból, illetve a biztonságra vonatkozó tanácsok be nem tartásából eredő, a motort érintő károk vagy esetleges tűzkárok vonatkozásában.

Zsírszűrő

Felfogja a főzés során keletkező zsírrészecskéket.

A zsírszűrőt havonta egyszer szükséges megtisztítani, kimélő tisztítószer segítségével, kézzel vagy mosogatógépben – ez utóbbi esetben alacsony hőfokon és rövid ciklus használatával. Mosogatógépben történő tisztítás esetén a zsírszűrő enyhén elszíneződhet, ami nem befolyásolja a szűrés hatékonyságát.

A zsírszűrő eltávolításához húzza meg a rugó kioldó fogantyút.

Szénszűrő (csak a szűrős változatnál)

Semlegesíti a főzés során keletkező kellemetlen szagokat.

A szénszűrő telítődése többé-kevésbé hosszabb használat után következik be, a főzés típusának és a zsírszűrő-tisztítás rendszerességének függvényében.

A patront legalább négyhavonta cserélni szükséges.

A szénszűrő NEM mosható és nem újítható fel.

Kerek szénszűrő

Használjon egyet-egyet mindkét oldalon, hogy elfedje a motor lapátkerekének védőrácsait, majd forgassa el az óramutató járásával megegyező irányba.

Szélszereléshez forgassa el az óramutató járásával ellentétes irányba.

Lámpák cseréje

Az elszívó LED technológián alapuló világítási rendszerrel rendelkezik.

A LED-ek optimális világítást tesznek lehetővé, élettartamunk a hagyományos világításnál akár tízszer hosszabb is lehet és 90%-os energia-megtakarítást eredményezhetnek.

A világítási rendszer meghibásodása esetén vegye fel a kapcsolatot a szervizzel.

IT CAPPA ASPIRANTE

Seguire rigorosamente le istruzioni di questo manuale. Il produttore declina ogni responsabilità per eventuali disagi, danni o incendi che potrebbero derivare dalla mancata osservanza delle istruzioni contenute nel presente manuale. La cappa è destinata all'aspirazione di fumi e vapori che si formano durante la cottura ed è destinata esclusivamente all'uso domestico.

L'aspetto della cappa può essere diverso dai disegni di questo opuscolo. Tuttavia, le istruzioni per l'uso, la manutenzione e l'installazione rimangono invariate.

- ! Conservare questo manuale in modo da poter leggere le istruzioni in esso contenute in qualsiasi momento. Se si vende, regala o trasporta l'apparecchio, assicurarsi che sia sempre accompagnato dal manuale dell'utente.
- ! Leggere attentamente le istruzioni in quanto contengono informazioni importanti relative all'installazione, all'uso e alla sicurezza.
- ! Non eseguire interventi elettrici o meccanici e neppure adattamenti nell'apparecchio o sui tubi di aspirazione o sulle condutture.
- ! Assicurarsi che tutti i componenti siano intatti prima di installare l'apparecchio. In caso di componenti danneggiati, chiamare il rivenditore e non installare l'apparecchio.

Nota: Gli elementi contrassegnati col simbolo "(*)" sono accessori supplementari forniti solo in alcuni modelli o sono disponibili come fornitura supplementare e non vengono forniti assieme all'apparecchio.



ATTENZIONE! AVVISO!

- ! Non collegare l'apparecchio alla rete elettrica fino al completamento dell'installazione.
- ! Prima di pulire o di eseguire lavori di manutenzione della cappa estrarre la spina dalla presa o scollegare il fusibile principale.
- ! Indossare sempre guanti protettivi durante qualsiasi intervento di installazione o manutenzione.
- ! L'apparecchio non è destinato all'uso da parte di bambini o persone con ridotte capacità fisiche, sensoriali o mentali o persone con mancanza di esperienze o conoscenza, tranne se l'apparecchio non venga usato sotto un'adeguata supervisione o seguendo le indicazioni dalle persone responsabili della loro sicurezza.
- ! L'apparecchio è destinato all'uso da parte di adulti. Non consentire ai bambini piccoli di giocare con l'apparecchio.
- ! L'apparecchio è destinato all'uso da parte di adulti. Non consentire ai bambini di giocare con i comandi dell'apparecchio o con l'apparecchio stesso.
- ! Non usare mai la cappa senza le griglie correttamente montate!
- ! Non usare MAI la cappa come una superficie di supporto o di appoggio se non esplicitamente consentito.
- ! Se nell'ambiente in cui è installata la cappa si usano anche congelatori o apparecchi in cui viene bruciato gas o altro combustibile, tale ambiente deve avere una ventilazione adeguata.
- ! Il sistema di scarico dei vapori da questo apparecchio non deve essere collegato a un sistema di ventilazione presente che è già in uso per altri scopi, come per esempio per lo scarico dei gas risultanti dalla combustione di gas o altri combustibili.
- ! È severamente vietato cuocere col flambé o con fiamme libere direttamente sotto la cappa.
- ! L'uso di fiamme libere danneggia i filtri e potrebbe causare incendi, quindi evitarle in ogni circostanza.
- ! Durante la frittura, prestare particolare attenzione che l'olio non si surriscaldi o infiammi.
- ! Le parti accessibili della cappa poste sotto la stessa possono diventare molto calde durante il suo funzionamento.
- ! Per quanto riguarda le misure tecniche e di sicurezza per lo scarico dei vapori, è importante rispettare rigorosamente le norme definite dalle autorità locali.
- ! La cappa deve essere pulita regolarmente sia dall'interno che dall'esterno (ALMENO UNA VOLTA AL MESE).
- ! Pulire la cappa secondo le istruzioni di manutenzione contenute in questo manuale. La mancata osservanza delle istruzioni di questo manuale per la pulizia della cappa e dei filtri può provocare incendi.
- ! Non utilizzare la cappa e non lasciarla senza la lampadina installata correttamente in quanto si corre il rischio di scosse elettriche.
- ! Il produttore declina ogni responsabilità per difetti, danni o incendi che potrebbero verificarsi sull'apparecchio per la mancata osservanza delle istruzioni contenute nel presente manuale.
- ! L'apparecchio è contrassegnato in conformità alla Direttiva europea 2002/96 /CE relativa ai Rifiuti di apparecchiature elettriche ed elettroniche. Prendendosi cura del corretto smaltimento di questo prodotto, si contribuisce alla prevenzione di effetti negativi sull'ambiente e sulla salute dell'uomo che potrebbero crearsi in seguito a un trattamento inappropriato del prodotto dopo la fine della sua durata.



Il simbolo sul prodotto o sulla documentazione di accompagnamento indica che l'apparecchio non deve essere trattato come rifiuto domestico, ma deve essere consegnato ad un punto di raccolta appropriato per il riciclaggio di apparecchiature elettriche ed elettroniche. Smaltire l'apparecchio in conformità con le normative ambientali locali per lo smaltimento dei rifiuti.

Per ulteriori informazioni dettagliate sul trattamento, la raccolta e il riciclaggio di questo prodotto, si prega di contattare l'autorità locale competente, il servizio locale di smaltimento dei rifiuti domestici o il negozio in cui è stato acquistato il prodotto.

L'apparecchio è progettato, testato e prodotto in conformità con i seguenti standard ossia normative:

- **Sicurezza:** EN/IEC 60335-1; EN/IEC 60335-2-31, EN/IEC 62233.
- **Efficacia del funzionamento:** EN/IEC 61591; ISO 5167-1; ISO 5167-3; ISO 5168; EN/IEC 60704-1; EN/IEC 60704-2-13; ISO 3741; EN 50564; IEC 62301.
- **EMC (compatibilità elettromagnetica):** EN 55014-1; CISPR 14-1; EN 55014-2; CISPR 14-2; EN/IEC 61000-3-2; EN/IEC 61000-3-3.

Consigli per un uso corretto per ridurre al minimo l'impatto ambientale: ACCENDERE la cappa alla velocità minima quando si inizia a cucinare. Lasciarla funzionare ancora per alcuni minuti dopo aver terminato la cottura. Aumentare la velocità ossia il livello di funzionamento solo in caso di una grande quantità di fumo e vapore, usare il funzionamento particolarmente intenso ossia ad alta velocità solo in casi estremi. Sostituire i filtri o il filtro ai carboni attivi secondo necessità per mantenere un'alta efficienza di rimozione degli odori sgradevoli. Se necessario, pulire i filtri o il filtro antigrasso per mantenere le buone prestazioni degli stessi. Utilizzare i tubi di aspirazione del diametro massimo come indicati in questo manuale per ottimizzare l'efficienza e ridurre al minimo il rumore.

Specifiche di installazione aggiuntive:

Utilizzare solo le viti di montaggio fornite con l'apparecchio per l'installazione. Se le viti non vengono fornite, acquistare le viti del tipo adeguato.

Utilizzare viti adeguatamente lunghe secondo le informazioni contenute nella Guida all'installazione.

In caso di dubbi, consultare un centro di assistenza autorizzato, un centro di assistenza clienti o un'altra persona adeguatamente qualificata.

ATTENZIONE! La mancata installazione di viti o delle guarnizioni metalliche in conformità con queste istruzioni può provocare il rischio di scosse elettriche.

USO

La cappa è progettata per essere utilizzata sia nella versione aspirante che nella versione filtrante.



Versione aspirante

In questo caso, il fumo viene scaricato all'aperto attraverso un tubo speciale collegato alla flangia di connessione situata nella parte superiore della cappa.

Attenzione! Il tubo di aspirazione non è incluso e deve essere acquistato separatamente.

Il diametro del tubo di aspirazione deve essere uguale al diametro della flangia di collegamento.

Nella sezione orizzontale, il tubo deve essere leggermente inclinato verso l'alto (di circa 10°) per facilitare l'aspirazione dell'aria dall'ambiente all'aria aperta.

Attenzione! Se la cappa è dotata di filtri ai carboni attivi, devono essere rimossi.

Per il collegamento tra la cappa e l'apertura nel muro per l'aspirazione del vapore o dei gas usare un tubo con un diametro uguale al diametro dell'apertura di uscita della cappa (flangia di collegamento).

Se il diametro del tubo o dell'apertura nel muro è inferiore, la potenza di aspirazione sarà inferiore e il rumore aumenterà in modo significativo.

In tali casi, il produttore declina ogni responsabilità.

- ! Il tubo di aspirazione dell'aria dev'essere il più corto possibile.
- ! Assicurarsi che installando i tubi di aspirazione ci siano meno pieghe possibili. L'angolo di piega massimo consentito è di 90°.
- ! Evitare cambiamenti importanti nella sezione trasversale del tubo di aspirazione.
- ! Mantenere la superficie interna del tubo di aspirazione il più liscia possibile.
- ! Il tubo di aspirazione deve essere realizzato in materiale con certificati adeguati.



Versione filtrante

Per questa versione è necessario un filtro ai carboni attivi che si può acquistare in un negozio di elettrodomestici.

Il filtro rimuove il grasso e gli odori dall'aria aspirata, poi l'aria purificata viene rimessa in circolo nell'ambiente attraverso le fessure di uscita sulla parte superiore dell'apparecchio.

INSTALLAZIONE

La distanza minima tra la base del piano cottura e la parte più bassa della cappa non deve essere inferiore a 55 cm nel caso di piani cottura elettrici; 65 cm nel caso di cucine a gas o combinate.

Se le istruzioni per l'installazione di un piano cottura a gas indicano una distanza maggiore, rispettare tale indicazione.



Collegamento alla rete elettrica

L'impianto elettrico deve essere conforme alle specifiche sulla targhetta informativa all'interno della cappa. Se sul cavo elettrico di collegamento della cappa è montata una spina, collegare la cappa tramite una presa conforme alle normative applicabili e posizionata in modo che sia facilmente accessibile dopo l'installazione. Se il cavo elettrico non è dotato di una spina (collegamento diretto alla rete elettrica) o se la presa non è facilmente accessibile dopo il completamento dell'installazione, è necessario installare un interruttore a due poli in conformità con gli standard per garantire che l'apparecchio sia completamente scollegato dalla rete elettrica in caso di sovratensione di classe III, in conformità con le istruzioni di installazione.

Attenzione! Accertarsi sempre prima di ricollegare la cappa alla rete elettrica che il cavo di alimentazione sia installato correttamente. Verificare anche il funzionamento della cappa stessa.

Tipo di installazione

L'apparecchio è molto pesante. Servono almeno due persone per maneggiare e installare la cappa.

Prima dell'inizio dell'installazione:

- Accertarsi che il prodotto acquistato abbia le dimensioni giuste per l'area di installazione scelta.
- Rimuovere i filtri o il filtro ai carboni attivi (*), se forniti (vedere paragrafo relativo). I filtri o il filtro ai carboni attivi devono essere installati solo se la cappa viene utilizzata in una versione filtrante.
- Controllare se vi sono dentro la cappa eventuali materiali o altri oggetti (che potrebbero cadere durante il trasporto, come pacchi di viti (*), fogli di garanzia (*), ecc.) e rimuoverli.
- Se possibile, scollegare e rimuovere la cucina autonoma o la cucina che può essere inserita nella nicchia tra gli elementi della cucina per consentire un più facile accesso alla parete dietro il piano cottura o al soffitto. Se ciò non è possibile, posizionare una copertura spessa e protettiva sul piano cottura o sulla cucina come protezione da danni e oggetti estranei. Per comporre l'apparecchio appoggiarsi su una base piatta. Coprire questa base con una copertura protettiva sulla quale vengono posti tutti i pezzi della cappa e le parti per il fissaggio.
- Inoltre, assicurarsi che ci sia una presa elettrica vicino al punto in cui si desidera installare la cappa (in un punto che sia accessibile anche dopo che la cappa è stata installata) e se è possibile una connessione alla conduttura che conduca i vapori all'aria aperta.
- Eseguire tutti i lavori di costruzione necessari (ad es. installazione di una presa elettrica e/o apertura del tubo di aspirazione).

Sono inclusi i supporti da parete per fissare la cappa alla maggior parte dei tipi di pareti o soffitti. Tuttavia, un professionista adeguatamente qualificato deve verificare l'idoneità dei materiali per il tipo di parete o soffitto. La parete o il soffitto devono essere sufficientemente solidi per supportare il peso della cappa. Non tentare di fissare o installare questo apparecchio in una parete con piastrelle, massa per fughe o intonaco o silicone. L'apparecchio è destinato esclusivamente al montaggio superficiale.

FUNZIONAMENTO

Utilizzare l'alta velocità di aspirazione solo in presenza di un'alta concentrazione di vapore durante la cottura. Si consiglia di accendere la cappa 5 minuti prima di iniziare la cottura, lasciarla funzionare durante la cottura e lasciarla ancora accesa per circa 15 minuti dopo la cottura.

Controllo meccanico



- ☼ Premere il tasto della luce per accendere la luce o l'illuminazione. Premere di nuovo questo tasto per spegnere l'illuminazione.
- ☞ Premere il tasto della prima velocità per avviare il motore che funzionerà alla prima velocità.
- ☞ Premere il tasto della seconda velocità per avviare il motore che funzionerà alla seconda velocità.
- ☞ Premere il tasto della terza velocità per avviare il motore che funzionerà alla terza velocità.
- Premere il tasto di disattivazione per spegnere il motore.

Controllo tattile



Quando la cappa è collegata alla rete elettrica sarà in modalità standby e solo il tasto a sensore per accendere/spegnere il motore e il tasto a sensore per accendere/spegnere la luce saranno parzialmente illuminati. I tasti a sensore per selezionare la velocità del motore da 1 a 3 non saranno illuminati e non potranno essere selezionati.

- ☼ Premere il tasto a sensore per accendere/spegnere per selezionare la velocità di funzionamento del motore. Quando si preme il tasto a sensore per accendere/spegnere, i tasti a sensore per selezionare la velocità del motore (da 1 a 3) sono parzialmente illuminati.
- ☞ Premere il tasto a sensore della prima velocità per avviare il motore che funzionerà alla prima velocità.
- ☞ Premere il tasto a sensore della seconda velocità per avviare il motore che funzionerà alla seconda velocità.
- ☞ Premere il tasto a sensore della terza velocità per avviare il motore che funzionerà alla terza velocità.
- ☼ Premere il tasto a sensore per accendere la luce o l'illuminazione. Premere di nuovo questo tasto per spegnere l'illuminazione.

MANUTENZIONE

ATTENZIONE! Scollegare la cappa dalla rete elettrica prima di eseguire qualsiasi intervento di manutenzione o riparazione scollandola dal connettore e rimuovendo il fusibile del connettore.

Se l'apparecchio è collegato alla rete elettrica tramite una presa a muro, estrarre la spina dalla presa.

Pulizia

La cappa deve essere pulita regolarmente (almeno tanto spesso quanto si pulisce il filtro antigrasso), sia internamente che esternamente. Pulire con un panno inumidito e con un detergente neutro. Non utilizzare detersivi ruvidi o abrasivi. **NON USARE ALCOL!** ATTENZIONE:

Si consiglia di seguire queste istruzioni.

Il produttore declina ogni responsabilità per danni al motore o danni derivanti da un incendio se tale danno o tali danni sono la conseguenza di una manutenzione impropria o di un mancato rispetto delle suddette raccomandazioni di sicurezza.

Filtro antigrasso

Il filtro antigrasso blocca le particelle di grasso.

Il filtro antigrasso deve essere pulito una volta al mese con detersivi non aggressivi, manualmente o in lavastoviglie con un programma breve a bassa temperatura. Se si lava il filtro in lavastoviglie, il filtro potrebbe scolorirsi leggermente, ciò non influisce sulle prestazioni del filtro. Per rimuovere il filtro antigrasso tirare la leva a molla.

Filtro ai carboni attivi (solo nella versione filtrante)

Il filtro ai carboni attivi assorbe gli odori sgradevoli che si creano durante la cottura.

Dopo un uso prolungato, il **filtro ai carboni attivi** è saturo. Con quale velocità diventa saturo dipende dal modo di cottura e dalla frequenza di pulizia del filtro antigrasso.

In ogni caso, la cartuccia del filtro ai carboni attivi deve essere sostituita ogni quattro mesi.

Il filtro ai carboni attivi **NON** può essere lavato o rigenerato.

Filtro ai carboni attivi ad avvntamento

Installare un filtro per ogni lato della cappa come un coperchio, proteggendo la griglia della ventola, quindi ruotarlo in senso orario.

Per rimuoverlo, ruotarlo in senso antiorario

Cambio delle lampadine

La cappa è dotata di un sistema di illuminazione basata sulla tecnologia LED.

Le lampadine a LED offrono un'illuminazione ottimale, con una durata di vita 10 volte maggiore rispetto alle lampadine convenzionali, garantiscono allo stesso tempo un risparmio energetico del 90%. In caso di malfunzionamento del sistema di illuminazione contattare il servizio tecnico.

KZ СУЫРУ ҚАЛПАҒЫ

Пайдалану жөніндегі нұсқаулықтың нұсқауларын дәл орындаңыз! Өндіруші осы нұсқаулық нұсқауларын орындамау салдарынан туындаған ақауларға, залалға және өртке жауап бермейді. Аспап үй жағдайында тама дайындау кезінде пайда болатын түтін мен бұды бұру үшін қолданылады.


Аспап нұсқаулықтағы суреттерде берілген аспаптан дизайнын бойынша өзгеше болуы мүмкін. Бұл ретте нұсқаулықта берілген пайдалану, техникалық қызмет көрсету және монтаждау жөніндегі нұсқауларды орындаңыз.

- ! Нұсқаулықта аспапқа жақын жерде ұстаныңыз. Нұсқаулық пен қоса берілетін құжаттамаларды міндетті түрде сақтаныз, Аспапты жана иегерге беру кезінде осы құжаттарды да беруді ұмытпаныз.
- ! Нұсқаулықты мұқият оқып шығыңыз, өйткені мұнда аспапты монтаждау, пайдалану және қауіпсіз қолдану жөніндегі маңызды ақпараттар бар.
- ! Осы аспаптың конструкциясына, электрлік схемасына және шығарылған ауаны бұру жүйесіне өзгерістер енгізуге тыйым салынады.
- ! Монтаждауды бастамас бұрын аспапты бұзылулардың жоқтығына тексеріп алыңыз. Егер аспап бұзылса, оны орнатпаныз және аспапты сатып алған дүкенге жүгініңіз.

Ескертіңіз. Жұлдызшамен «(*)» белгіленген керек-жарақтар кейбір модельдерде ғана жабдықтың жиынтығына кіреді. Қаласаңыз керек-жарақтарды бөлек сатып алуға болады.



НАЗАР АУДАРЫҢЫЗ! ЕСКЕРТУ!

- ! Монтаждау толықтай аяқталмайынша аспапты электр желісіне жалғамаңыз.
 - ! Тазалау мен қызмет көрсетуді бастамас бұрын ауа сорғыны байланыстырғыш кабель ашасын розеткадан ажырату немесе сақтандырғышты сөндіру арқылы электр желісінен ажыратыңыз.
 - ! Монтаждау және қызмет көрсету бойынша жұмыстарды орындау кезінде қорғайтын қолғап киіңіз.
 - ! Аспапты балаларға, физикалық, қозғалу және психикалық қабілеттері шектелген адамдарға, сонымен қатар оны қолдану үшін жеткілікті тәжірибесі мен білімі жоқ адамдарға тек біреудің қарауымен немесе олардың қауіпсіздігі үшін жауап беретін тұлғаның басшылығымен қолдануға рұқсат етіледі.
 - ! Аспап ересектердің қолдануына арналған. Балаларға аспаппен ойнауға рұқсат етпеңіз.
 - ! Аспап ересектердің қолдануына арналған. Балаларға басқару элементтерімен және аспаптың өзімен ойнауға рұқсат етпеңіз.
 - ! Егер тор дұрыс орнатылмаған болса, аспапты қолданбаңыз.
 - ! Егер бұл жеке келісімге болса, ауа сорғыны тірек жазықтығы ретінде қолдануға ҚАТАҢ тыйым салынады.
 - ! Егер бөлмеге ауа сорғыдан басқа газбен немесе басқа да отынмен жұмыс жасайтын аспаптар орнатылған болса, оны жеткілікті желдетуді қамтамасыз етіңіз.
 - ! Ауа сорғының ауасын газбен немесе басқа да отынмен жұмыс жасайтын аспаптардың желдету каналдары арқылы шығаруға болмайды.
 - ! Сорғы астында ашық отпен дайындауға және отпен шарпуға ҚАТАҢ тыйым салынады.
 - ! Ашық отты қолдану сүзгілердің бүлінуіне немесе жануына алып келуі мүмкін, сондықтан кез келген жағдайда мұның алдын алыңыз.
 - ! Тағамды қараусыз қуыруға тыйым салынады, өйткені май қызып кетуі және өртенуі мүмкін.
 - ! Сорғының астында орналасқан пісіру аспабының жұмысы кезінде ауа сорғының қол жетімді бөліктері қызуы мүмкін.
 - ! Шығарылған ауаны бұру саласындағы жергілікті уәкілетті органдардың техникалық ескертулері мен қауіпсіздік жөніндегі нұсқауларын мұқият орындаңыз.
 - ! Аспаптың ішкі және сыртқы беттерін жүйелі түрде тазалап тұрыңыз (АЙЫНА БІР РЕТТЕН ЖИИ ЕМЕС)
 - ! Тазалау жөніндегі нұсқаулар осы нұсқаулықтың тиісті бөлімінде берілген. Аспапты тазалау, сонымен қатар сүзгілерді тазалау және ауыстыру бойынша нұсқауларды орындамау өртке себеп болуы мүмкін.
 - ! Шамдары дұрыс орнатылмаған ауа сорғыны қолдануға және қалдыруға тыйым салынады, өйткені бұл электр тоғынан зақым алуға алып келуі мүмкін.
 - ! Өндіруші осы нұсқаулық нұсқауларын орындамау салдарынан туындаған ақауларға, залалға және өртке жауап бермейді.
 - ! Бұл аспап Электрлік және электронды жабдықтардың қалдықтарын қолдану туралы 2002/96/EU Еуропа деректемесіне сәйкес таңбаланған. Бұйымды көдеге жарату ережелерін сақтау арқылы осы сияқты қалдықтармен тиісті түрде әрекет жасамау салдарынан қоршаған ортаға және адамдардың денсаулығына зиян келтірудің алдын ала аласыз.
-  Бұйымдағы немесе оның ілесіне құжаттарындағы **символ** оның тұрмыстық қалдықтар ретінде көдеге жаратылмауы тиіс екендігін көрсетеді. Бұйымды одан ары көдеге жарату үшін оны электронды және электрлік жабдықтардың тиісті орындарына тапсырған жөн.
- Бұйымды көдеге жарату туралы толық ақпарат алу үшін жергілікті билік органдарына, шақырылатын және қалдықтарды көдеге жаратын қызметке немесе осы бұйымды сатып алған дүкенге хабарласыңыз.

Аспап келесі стандарттар мен регламенттерге сәйкес әзірленген, сыналған және өндірілген:

- **қауіпсіздік:** EN/IEC 60335-1; EN/IEC 60335-2-31, EN/IEC 62233,
- **жұмыссыз тымділігі:** EN/IEC 61591; ISO 5167-1; ISO 5167-3; ISO 5168; EN/IEC 60704-1; EN/IEC 60704-2-13; ISO 3741; EN 50564; IEC 62301,
- **электромагнитті үйлесімділік:** EN 55014-1; CISPR 14-1; EN 55014-2; CISPR 14-2; EN/IEC 61000-3-2; EN/IEC 61000-3-3.

Қоршаған ортаға әсерді азайту үшін пайдалану жөніндегі ұсыныстар

Дайындауды бастаған кезде ауа сорғыны минималды жылдамдықпен ҚОСЫҢЫЗ. Дайындау аяқталғаннан кейін ауа сорғыны бірнеше минут қосылған күйде қалдырыңыз. Булану қарқындылығы артқан кезде ғана жұмыс жылдамдығын ұлғайтыңыз. Турборежимді немесе ең жоғары жылдамдықты қажет болған кезде ғана қолданыңыз. Жағымсыз иістерді тиімді жою үшін көмір сүзгілерді (көмір сүзгіні) уақытылы ауыстырыңыз. Май сүзгілерінің (май сүзгіні) жұмыс жасау тиімділігін жоғалтпау үшін оларды жүйелі түрде ауыстырып тұрыңыз. Осы нұсқаулықта берілген ең үлкен рұқсат етілген диаметрі бар сору шлангтарын қолданыңыз: Бұл шуылдың минималды деңгейінде сорғының барынша тиімді жұмыс жасауын қамтамасыз етеді.

Орнату жөніндегі қосымша нұсқаулар

Монтаждау үшін жиынтықта жеткізілетін бұрандаларды қолданыңыз. Егер бұрандалар жеткізу жиынтығына кірмейтін болса, типі сәйкес келетін бұрандаларды сатып алыңыз.

Бұранда ұзындығы ОРНАТУ бөлімінде көрсетілген параметрлерге сәйкес келуі тиіс.

Егер күмән туындаса, авторлық құқығы бар сервис маманына хабарласыңыз.

ЕСКЕРТУ! Осы нұсқаулық талаптарына сәйкес келмейтін бұрандалар мен бекіту бөлшектерін қолдану электр тоғынан зақым алуға алып келуі мүмкін.

ҚОЛДАНУ

Ауа сорғы ауа бұру немесе қайта айналдыру режимінде жұмыс жасай алады.



Ауа бұру режимінде жұмыс жасау

Бұру режимінде ластанған ауа бөлмеден ауа сорғының жоғарғы бөлігіндегі ауа шығару саңылауына бекітілетін арнайы сору шлангасына беріледі.

Назар аударыңыз! Сору шлангасы жеткізу жиынтығына кірмейді және жеке сатып алынады.

Шланг диаметрі ауа шығару саңылауының диаметріне сәйкес келуі тиіс.

Горизонталь орналастыру кезінде шығарылған ауаны келдергісіз бұруды қамтамасыз ету үшін шлангты жоғарыға қарай 10° көлбеулікпен орналастырыңыз.

Назар аударыңыз! Егер көмір сүзгісі орнатылған болса, оны ағытып алыңыз.

Ауа сорғыны қабырғадағы саңылауға жалғар алдында сору шлангасының диаметрі сорғыдағы ауа шығару саңылауының диаметріне сәйкес келуі тиіс.

Сору шлангасының және қабырғадағы саңылаудың шағын диаметрі ауа шығару тиімділігін азайтады және шу деңгейін айтарлықтай арттырады.

Бұл жағдайда өндіруге жауапкершілік көтермейді.

! Жүргізілген сору шлангасының өте ұзын болмауы маңызды.

! Сору шлангасын барынша көп майыстырмай жүргізіңіз. Майыстырудың максималды бұрышы 90°.

! Соратын шланг диаметрін аз ғана өзгертуге тырысыңыз.

! Соратын шлангтың ішкі беті барынша тегіс болуы тиіс.

! Соратын шланг сертификатталған материалдардан жасалуы тиіс.



Қайта айналдыру режимінде жұмыс жасау

Қайта айналдыру режимінде дүкендерден немесе сервис орталығынан сатып алуға болатын көмір сүзгісі орнатылуы тиіс.

Сүзгі май бөлшектерін және иісті ұстап қалады да, тазартылған ауаны жоғарғы тор арқылы бөлмеге қайтарады.

ОРНАТУ

Ауа сорғының төменгі жиегі мен ... арасындағы минималды арақашықтық:

– электрлік пісіру беті — 55 сантиметр,

– газды/аралас пісіру беті — 65 сантиметр.

Егер газ плитаны/панельді орнату жөніндегі нұсқаулықта көбірек арақашықтық көрсетілген болса, оны есепке алыңыз.



Электр желісіне жалғар

Жалғар алдында аспап ішіндегі зауыттық жапсырмада көрсетілген деректердің электр желісінің нақты параметрлеріне сәйкес келетінін тексеріп алыңыз. Егер ауа сорғының байланыстыру кабелі ашамен жабықталған болса, ашаны қолданыстағы ережелерге сәйкес орнатылған және қол жетімді жерде орналасқан розеткаға тығыңыз. Егер ауа сорғының байланыстыру кабелі ашамен жабықталмаса немесе розетка қол жетімсіз жерде орналасса, аспапты орнату жөніндегі нұсқаулыққа сәйкес III санатты шектен тыс кернеу туындаған кезде желіні толықтай ажыратуды қамтамасыз ететін қос полюсті сөндіргішке жалғаныз.

Ескерту! Ауа сорғыны электр желісіне жалғар және жұмысының дұрыстығын тексерер алдында байланыстыру кабелінің дұрыс жалғанғанына көз жеткізіңіз.

Монтаждау

Ауа сорғы ауыр, сондықтан оны кемінде екі адам тасымалдауы және монтаждауы тиіс.

Монтаждауды бастамас бұрын:

- Бұйымның өлшемі бойынша монтаждалатын жерге сәйкес келетінін тексеріңіз.
- Егер ауа сорғысы жиынтығында көмір сүзгілері (көмір сүзгісі) (*) бар болса, оны ауыстырыңыз (тиісті бөлімді қараңыз). Егер ауа сорғыны қайта айналдыру режимінде қолданатын болсаңыз, көмір сүзгілерін (көмір сүзгісін) орнатыңыз.
- Ауа сорғының ішінде тасымалдау кезінде еніп кетуі мүмкін заттардың бар-жоғын тексеріңіз, мысалы, бұрандалары бар пакет (*), кепілдік парағы (*) және егер бар болса, міндетті түрде алыңыз.
- Монтаждалатын жердегі қабырғаға немесе төбеге еркін қатынауды қамтамасыз ету үшін мүмкіндігінше плитаны электр желісінен ажыратыңыз және ысырып қойыңыз немесе пісіру бетін үстел бетінен шығарып алыңыз. Егер бұл мүмкін болмаса, плитаны немесе пісіру бетін бұзылулардан қорғау үшін қалың материалмен жабыңыз. Ауа сорғыны құрастыруды тегіс бетте жүргізіңіз. Бетін қорғайтын материалмен жабыңыз және ауа сорғының бөлшектері мен бекіту бөлшектерін шығарып қойыңыз.
- Ауа сорғыны монтаждайтын жерде монтаждау аяқталғаннан кейін еркін қатынауды қамтамасыз ететін розетканың бар жоғын және шығарылған ауаны бұруға арналған каналға жалғануын тексеріңіз.
- Қажетті құрылыс-монтаж жұмыстарын орынданыз (розетканы орнату, шығаратын шлангқа арналған саңылауды жасау).

Ауа сорғыны түрлі қабырғалар мен төбеге бекіту үшін дюбельдер ұсынылады. Монтаждауды бастамас бұрын білікті маман қабырға беті мен төбенің сәйкестігін тексеруі тиіс. Қабырға немесе төбе аспап салмағына шыдау үшін берік болуы тиіс. Ауа сорғыны қабырғаға сұйық шегенің, силиконның және т.б. Көмегімен бекітпеңіз. Аспап тек ілінетін монтаждауға арналған.

ЖҰМЫСЫ

Асханада түтін мен иіс қарқындылығы жоғары болған кезде жоғары жылдамдықты қосыңыз. Ауа сорғыны дайындауды бастар алдында 5 минут қосу, дайындау барысында оны қосылған күйде қалдыру және дайындау аяқталғаннан кейін шамамен 15 минут өшірмеу ұсынылады.

Механикалық басқару



⦿: Жарықты қосу үшін батырманы басыңыз. Жарықты сөндіру үшін батырманы қайта басыңыз.

⦿ Мотордың 1-жылдамдығын қосу батырмасы.

⦿ Мотордың 2-жылдамдығын қосу батырмасы.

⦿ Мотордың 3-жылдамдығын қосу батырмасы.

⦿ Моторды өшіру үшін батырманы басыңыз.

Сенсормен басқару



Электр желісіне қосқаннан кейін сорғы күту режимінде тұрады, мотордың ҚОСУ/ӨШПРУ сенсорлары және жарықтың ҚОСУ/ӨШПРУ сенсорлары әлсіз жанып тұрады. Мотордың 1 және 3 аралығындағы жылдамдығын таңдау сенсорлары жанбайды, оларды іске қосу мүмкін емес.

⦿ Моторды іске қосу үшін мотордың ҚОСУ/ӨШПРУ сенсорын басыңыз. Осыдан кейін жылдамдықты таңдау сенсорлары жанады (1 және 3 аралығында)

⦿ Мотордың 1-жылдамдығын қосу сенсоры.

⦿ Мотордың 2-жылдамдығын қосу сенсоры.

⦿ Мотордың 3-жылдамдығын қосу сенсоры.

⦿ Жарықты қосу үшін сенсорды басыңыз. Жарықты сөндіру үшін сенсорды қайта басыңыз.

ҚЫЗМЕТ КӨРСЕТУ

НАЗАР АУДАРЫҢЫЗ! Тазалауды және басқа да кез келген жұмыстарды бастамас бұрын аспаптың байланыстыру кабелінің электр қорегінен ажыратылғанына немесе жалпы электр желісін өшіргіштің сөндірілгеніне көз жеткізін алыңыз.

Егер аспап электр желісіне розетка арқылы жалғанса, одан байланыстыру кабелінің ашасын ажыратыңыз.

Тазалау

Аспаптың ішкі және сыртқы беттерін жүйелі түрде тазалап тұрыңыз (май сүзгілері сияқты жиі емес) Тазалау үшін бейтарап сұйық тазалау құралына батырылған матаны қолданыңыз. Абразивті тазалау құралдарын қолдануға болмайды. СПИРТТІ ҚОЛДАНУҒА ТЫЙЫМ САЛЫНАДЫ!

ЕСКЕРТУ! Аспапты тазалау және сүзгілерді ауыстыру ережелерін орындамау жануға алып келуі мүмкін, сондықтан берілген нұсқауларды орындау ұсынылады.

Өндіруші дұрыс жөндемеу немесе берілген нұсқауларды орындамау салдарынан болған мотордың бұзылуына және өртенуге жауап бермейді.

Май сүзгісі

Май сүзгісі май бөлшектерін ұстап қалады.

Май сүзгісін айына бір рет агрессивті емес жуу құралдарымен қолмен немесе ыдыс жуу машинасында жылдам бағдарламада төмен температурамен тазалаңыз. Ыдыс жуу машинасында жуу кезінде сүзгі түсі өзгеруі мүмкін, бірақ бұл сүзгі жұмысына әсер етпейді.

Май сүзгісін шығарып алу үшін оның тұтқасынан төмен тартыңыз.

Көмір сүзгісі (қайта айналдыру режимінде жұмыс жасау үшін)

Көмір сүзгісі дайындау кезінде пайда болатын жағымсыз иістерді сіңіріп алады.

Көмір сүзгісінің қызмет ету мерзімі мен дәрежесі күн сайын дайындау қарқындығына және май сүзгісін тазалау жиілігіне байланысты болады.

Кез келген жағдайда көмір сүзгісінің картриджін әр төрт ай сайын ауыстыру қажет.

Көмір сүзгісін жууға және өзгертуге **БОЛМАЙДЫ**.

Көмір сүзгісі

Сүзгіні әр бетінен мотор торын қорғауға арналған қақпақ ретінде орнатыңыз және сағат тілі бағытында бұраңыз.

Сүзгіні алу үшін оны сағат тіліне қарсы бағытта бұраңыз.

Шамдарды ауыстыру

Ауа сорғысы оңтайлы жарықтандыруды қамтамасыз ететін, қарапайым шамдармен салыстырғанда 10 есе ұзақ қызмет ететін және электр энергиясын 90% дейін үнемдейтін жарық диодты шамдармен жабдықталған.

Жарықтандыру жүйесінің жұмысы бұзылған жағдайда, қызмет көрсету орталығына хабарласыңыз.

LT GARŲ SURINKTUVAS

Atidžiai laikykitės instrukcijų, pateiktų šiame vadove. Mes neatsakome už jokių nepatogumų, žalą arba gaisrus, atsiradusius dėl to, kad nesilaikoma šiame vadove pateiktų nurodymų. Gaubtas skirtas sugerti virimo dūmus ir garus ir skirtas naudoti tik namie.

Gaubtas gali atrodyti kitaip, nei nurodyta šioje brošiūroje. Tačiau jo naudojimo, priežiūros ir montavimo instrukcijos yra tos pačios.

- ! Svarbu visada išsaugoti šią brošiūrą pasiskaitymui. Parduodant, perkeliant ar perleidžiant, atiduokite šią brošiūrą kartu su gaminiu.
- ! Atidžiai perskaitykite instrukcijas: jose yra svarbi informacija apie montavimą, naudojimą ir saugą.
- ! Nebandykite atlikti gaminio elektros arba mechaninių dalių bei išleidimo vamzdžių keitimų.
- ! Prieš pradėdami montuoti prietaisą, patikrinkite, ar nėra pažeistų komponentų. Priešingu atveju kreipkitės į savo platintoją ir netęskite montavimo.

Pastaba: elementai, pažymėti simboliu (*), yra papildomi priedai, įsigijami tik su tam tikrais modeliais ar elementais.



ATSARGIAI

ISPĖJIMAS!

- ! Nejunkite prietaiso prie maitinimo tinklo, kol visiškai nebaigsite montavimo.
- ! Prieš atliekant valymo arba priežiūros darbus, atjunkite gaubtą nuo elektros tinklo, ištraukę kištuką arba atjunkite elektros maitinimo laidą.
- ! Atlikdami visus montavimo ir techninės priežiūros darbus visada mūvėkite darbinės prištines.
- ! Prietaisas nėra skirtas naudoti vaikams ar neįgaliems žmonėms su fizineis, jautrumo ar psichikos sutrikimais, arba neturintys pakankamai patirties ir žinių, išskyrus atvejus, kai jie dirba prižiūrimi arba nurodymus dėl prietaiso naudojimo iš asmens, atsakingo už jų saugumą.
- ! Šis prietaisas skirtas naudoti suaugusiems, o jį naudojančius vaikus reikia stebėti, siekiant užtikrinti, kad jie nežaistų su prietaisu.
- ! Šis prietaisas skirtas naudoti suaugusiems. Vaikams neturėtų būti leidžiama manipuliuoti valdikliu ar žaisti su prietaisu.
- ! Niekada nenaudokite gaubto be gerai sumontuotų grotelių!
- ! Jei nenurodyta kitaip, niekada nenaudokite gaubto kaip pagalbinio paviršiaus, nebent konkrečiai taip nurodyta.
- ! Patalpos, kuriose sumontuotas prietaisas, turi būti gerai vėdinamos, kai virtuvės gaubtas naudojamas kartu su kitais dujų arba kito kuro deginimo įrenginiais.
- ! Šio prietaiso vamzdžių sistemos negalima jungti prie esamos ventiliacijos sistemos, kuri naudojama kitam tikslui, pavyzdžiui, dujų ar kito kuro deginimo prietaisų išmetamųjų dujų išleidimui.
- ! Griežtai draudžiama deginti maisto produktus po gaubtu.
- ! Atviros liepsnos naudojimas kenkia filtrams ir gali sukelti gaisro pavojų, todėl jį visada reikia vengti.
- ! Kepti reikia atsargiai, kad neperkaistų ir neužsidegtų aliejus.
- ! Naudojant gaubtą, jo pasiekiamos dalys gali įkaisti.
- ! Atsižvelgiant į technines ir saugos priemones, kurių reikia imtis dūmų išleidimui, svarbu atidžiai laikytis vietos valdžios institucijų pateiktų nurodymų.
- ! Gaubtą reikia reguliariai valyti tiek iš vidaus, tiek iš išorės (mažiausiai vieną kartą per mėnesį).
- ! Tai turi būti atliekama pagal šiame vadove pateiktas techninės priežiūros instrukcijas. Jei nesilaikysite šiame vartotojo vadove pateiktų instrukcijų, susijusių su gaubto ir filtrų valymu, padidės gaisro pavojus.
- ! Dėl galimo elektros smūgių pavojaus nenaudokite ir nepalikiškite gaubto be tinkamai sumontuotos lemputės.
- ! Mes neprisiimsime atsakomybės už gedimus, žalą arba gaisrus, kuriuos sukelia prietaisas, jei nesilaikoma šiame vadove pateiktų instrukcijų.
- ! Šis prietaisas pažymėtas pagal Europos direktyvą 2002/96/EB dėl elektros ir elektroninės įrangos atliekų (EEIA). Tinkami utilizuodami šį produktą, padėsite apsaugoti nuo galimų neįgiamų pasekmių aplinkai ir žmogaus sveikatai, kurias gali sukelti netinkamas šio produkto atliekų tvarkymas.



Simbolis ant gaminio arba kartu su juo pridedamuose dokumentuose rodo, kad šis prietaisas negali būti išmetamas kartu su buitiniomis atliekomis. Vietoj to jį reikia priduoti į tinkamą elektros ir elektroninės įrangos surinkimo punktą perdirbti. Atliekos turi būti tvarkomos pagal vietinius aplinkosaugos reikalavimus atliekų šalinimui.

Jei norite gauti išsamesnės informacijos apie šio gaminio gamybą, surinkimą ir perdirbimą, kreipkitės į atitinkamą vietinių valdžios institucijų skyrių arba vietos buitinių atliekų skyrių arba parduotuvę, kurioje pirkote šį gaminį.

Prietaisas suprojektuotas, išbandytas ir pagamintas pagal:

- **Sauga:** EN/IEC 60335-1; EN/IEC 60335-2-31, EN/IEC 62233.
- **Veikimas:** EN/IEC 61591; ISO 5167-1; ISO 5167-3; ISO 5168; EN/IEC 60704-1; EN/IEC 60704-2-13; ISO 3741; EN 50564; IEC 62301.
- **EMS:** EN 55014-1; CISPR 14-1; EN 55014-2; CISPR 14-2; EN/IEC 61000-3-2; EN/IEC 61000-3-3.

Pasiūlymai, kaip teisingai naudoti šį gaminį, siekiant sumažinti poveikį aplinkai: Kai pradėsite gaminti maistą, įjunkite gaubtą mažiausiu greičiu ir palikite keletą minučių po to, kai baigsite gaminti. Padidinkite greitį tik esant dideliam dūmų ir garų kiekiui ir naudokite didesnę greitį tik ekstremaliose situacijose. Jei reikia, pakeiskite anglies filtrą (-us), kad prietaisais ir toliau gerai sugertų kvapus. Jei reikia, išvalykite riebalų filtrą (-us), kad prietaisais ir toliau gerai sugertų kvapus. Norėdami optimizuoti efektyvumą ir sumažinti triukšmą, naudokite didžiausio šiame vadove nurodytą skersmens ortakį sistemą.

Papildomos montavimo specifikacijos:

Naudokite tik tvirtinimo varžtus, pridedamus kartu su gaminiu, arba, jei nenurodyta, įsigykite tinkamo tipo varžtus.

Naudokite tinkamo tipo ir ilgio varžtus, kurie yra nurodyti montavimo vadove.

Jei kiltų abejonių, kreipkitės į įgaliotą techninės priežiūros centrą ar panašios kvalifikacijos asmenį.

ĮSPĖJIMAS! Naudojant varžtus ar tvirtinimo detales ne pagal šias instrukcijas, gali kilti pavojus.

NAUDOJIMAS

Gaubtas skirtas naudoti išpūsti arba filtruoti orui.



Versija su vamzdynu

Tokiu atveju dūmai išpučiami už pastato ribų specialiu vamzdžiu, prijungtu prie jungimo žiedo, esančio virš gaubto.

Dėmesio! Išmetimo vamzdis prie gaminio nepridedamas ir turi būti perkamas atskirai.

Išmetimo vamzdžio skersmuo turi būti lygus jungiamojo žiedo skersmeniui.

Horizontaliuose vamzdynuose išmetimo vamzdis turi būti šiek tiek nukreiptas į viršų (maždaug 10°), kad oras lengvai išeitų iš kambario į išorę.

Dėmesio! Išmetimo vamzdis prie gaminio nepridedamas ir turi būti perkamas atskirai.

Išmetimo vamzdžio skersmuo turi būti lygus jungiamojo žiedo skersmeniui.

Horizontaliuose vamzdynuose išmetimo vamzdis turi būti šiek tiek nukreiptas į viršų (maždaug 10°), kad oras lengvai išeitų iš kambario į išorę.

Dėmesio! Jei gaubtas tiekiamas su aktyviu anglies filtru, tada jį reikia išimti.

Sujunkite gaubtą su išleidimo anga sienoje, kurios skersmuo yra lygus gaubto oro išleidimo angai (jungiamasis flanšas).

Naudojant mažesnių matmenų vamzdžius ir išleidžiamas skylės sienose sumažėja siurbimo našumas ir žymiai padidėja triukšmas.

Todėl gamintojas neatsako už prastesnę prietaiso veikimą tokiu atveju.

! Naudokite minimalaus būtiną ilgio kanalą.

! Naudokite vamzdį su kuo mažesniu skaičiumi alkūnių (didžiausias alkūnės kampas: 90°).

! Venkite didelių kanalo skerspjuvio pokyčių.

! Naudokite vamzdį kuo lygesniu vidumi.

! Vamzdis turi būti pagamintas iš sertifikuotos medžiagos.

Filtro versija

Jai reikia vieno aktyviosios anglies filtro, kurį galima gauti iš įprasto mažmenininko.

Filtrą pašalina riebalus ir kvapus iš siurbiamo oro, prieš išleidžiamas jį atgal į kambarį per viršutinę išleidimo angą grotelės.

IRENGIMAS

Minimalus atstumas tarp viryklės atraminio paviršiaus ir apatinės gaubto dalies turi būti ne mažesnis kaip 55cm nuo elektrinių viryklių ir 65 cm nuo dujinių arba mišrių viryklių.

Jei dujinės viryklės montavimo instrukcijoje nurodomas didesnis atstumas, jo reikia laikytis.



Elektros jungtys

Maitinimo tinklo įtampa turi atitikti techninių duomenų plokštėje nurodytą reitingą. Jei įrengtas kištukas, prijunkite gaubtą prie lizdo pagal taikomus reikalavimus ir įtvirtinkite esamoje vietoje. Jei kištuko (tiesioginio maitinimo tinklo jungties) nėra arba jei kištukas toli, po montavimo naudokite dvigubų polių jungiklį pagal standartus, kurie užtikrina visišką atjungimą nuo maitinimo tinklo, III viršsrovio kategoriją pagal montavimo instrukcijas.

Įspėjimas!

Prieš vėl prijungdami gaubto elektros grandinę prie maitinimo tinklo ir tikrindami, ar veikia, visada patikrinkite, ar tinkamai sumontuotas maitinimo laidas.

Montavimas

Labai sunkus gaminys; Gaubtą kelti ir montuoti turi ne mažiau kaip du asmenys. Prieš pradėdant montuoti:

- Patikrinkite, ar įsigytas gaminys yra tinkamo dydžio ir telpa į pasirinktą montavimo vietą.
- Nuimkite anglies (*) filtrą/s, jei yra (taip pat žr. susijusį skyrių). Jį galima montuoti tik tuo atveju, jei su gaubtu norite naudoti filtrą.
- Patikrinkite (transportavimo atveju), ar gaubte nėra pašalinių pakuočių medžiagų (pvz., paketų su varžtais (*), garantijos lapelio (*) ir t.t.). Jei yra – išimkite ir padėkite atskirai.
- Jei galima, atjunkite ir nustumkite laisvą arba slankiojančią sritį nuo spintelės angos, kad lengviau pasiektumėte galinę sieną/lubas.
- Priešingu atveju uždėkite storą apsauginę dangą ant stalviršio arba viryklės, kad apsaugotumėte nuo pažeidimų ir šukščių. Pasirinkite plokščią paviršių montavimui. Uždėkite šį paviršių apsauginę dangą ir sudėkite ant jos visas gaubto dalis ir techninę įrangą.
- Be to, patikrinkite, ar šalia gaubto įrengimo zonos (vieta, kuri yra prieinama ir sumontavus gaubtą) yra elektros lizdas, ir ar dūmų išleidimo įtaisą galima prijungti prie išorės (tik siurbimo versijai).
- Atlikite visus reikalingus mūro darbus (pvz., sumontuokite elektros lizdą ir (arba) skylę išleidimo vamzdžiui).

Sieniniai plėtimosi kaiščiai yra skirti montuoti gaubtą ant daugumos rūšių sienų/lubų. Tačiau kvalifikuotas specialistas privalo patikrinti medžiagų tinkamumą pagal sienų/lubų tipą. Sienos/lubos turi būti pakankamai tvirtos, kad atlaikytų gaubto svorį. **Nemontuokite šio prietaiso ant plytelių, skiedinių ar silikono sienos. Montavimas tik ant paviršiaus.**

VEIKIMAS

Koncentruotų virtuvės garų atveju naudokite didelį siurbimo greitį. Rekomenduojama, kad virimo gaubto siurblys būtų įjungiamas 5 minutes prieš ruošiant maistą ir paliekamas veikti virimo metu ir dar maždaug 15 minučių maždaug po maisto gaminimo pabaigos.

Mechaniniai valdikliai



- ⦿ Norėdami įjungti lempuotę, paspauskite įjungimo mygtuką. Paspauskite dar kartą, kad išjungtumėte lempuotę. Paspauskite greičio jungiklį 1 ir paleiskite variklį 1 greičiu.
- ⦿ Paspauskite greičio jungiklį 2 ir paleiskite variklį 2 greičiu.
- ⦿ Paspauskite greičio jungiklį 3 ir paleiskite variklį 3 greičiu.
- ⦿ Dar kartą paspauskite išjungimo mygtuką, kad išjungtumėte variklį.

Liečiamasis valdymas



Kai gartraukis bus prijungtas prie maitinimo šaltinio, jis bus budėjimo režime ir tik įjungimo / išjungimo mygtukas ir apšvietimo mygtukas bus pusiau apšviesti. 1-3 greičio mygtukai nėra apšviesti ir jų negalima pasirinkti.

- ⦿ Paspauskite įjungimo / išjungimo mygtuką, kad pradėtumėte pasirinkti variklio greitį. Pasirinkus įjungimo / išjungimo mygtuką, greitis 1-3 bus pusiau apšviestas.
- ⦿ Paspauskite greičio jungiklį 1 ir paleiskite variklį 1 greičiu.
- ⦿ Paspauskite greičio jungiklį 2 ir paleiskite variklį 2 greičiu.
- ⦿ Paspauskite greičio jungiklį 3 ir paleiskite variklį 3 greičiu.
- ⦿ Norėdami įjungti lempuotę, paspauskite įjungimo mygtuką. Paspauskite dar kartą, kad išjungtumėte lempuotę.

PRIEŽIŪRA

DĖMESIO! Prieš atliekant techninę priežiūrą, ištraukite gaubtą iš elektros maitinimo, išjunkite jungtį ir nuimkite jungties saugiklį. Arba jei prietaisas buvo prijungtas per kištuką ir lizdą, tada kištuką reikia ištraukti iš lizdo.

Valymas

Gartraukį reikia reguliariai valyti (bet jau tokiu pačiu dažniu, kuriuo atliekate riebalų filtrų techninę priežiūrą) iš vidaus ir išorės. Valykite drėgnu skudurėliu, sudrėkintu neutraliu plovimo skysčiu. Nenaudokite abrazyvinių produktų. **NENAUDOKITE ALKOHOLIO!**

ISPĖJIMAS: Nesilaikant pagrindinių gaubto valymo ir filtrų keitimo rekomendacijų, galima sukelti gaisro pavojų. Todėl rekomenduojame laikytis šių instrukcijų.

Gaminiojas neatsako už jokią variklio žalą ar bet gaisras, susijusį su netinkama technine priežiūra arba minėtų saugumo rekomendacijų nesilaikymu.

Riebalų filtras

Sulaiko kepimo riebalų daleles.

Riebalų filtrą reikia valyti kartą per mėnesį naudojant neagresyvius ploviklius rankomis arba indaplovėje, kuri turi būti nustatyta žemoje temperatūroje ir trumpam ciklui. Panaudojus indų plovyklę, riebalų filtras gali šiek tiek pakeisti spalvą, tačiau tai neturi įtakos jo filtravimo galiai. Norėdami išimti riebalų filtrą, patraukite spyruoklinę atleidimo rankenėlę.

Anglies filtras (tik filtravimo versija)

Jis sugeria nemalonius kvapus, kuriuos sukelia maisto ruošimas.

Po tam tikro laiko naudojimo medžio anglies filtras prisisotina, priklausomai nuo gaminamo maisto tipo ir riebalų filtro valymo dažnio.

Bet kuriuo atveju reikia keisti kasetę ne rečiau kaip kas keturis mėnesius.

Medžio anglies filtro **NEGALIMA** plauti ar regeneruoti.

Žiedinis anglies filtras

Uždėkite po vieną iš abiejų pusių kaip dangtelį ant abiejų variklio sparnuotės grotelių, tada pasukite pagal laikrodžio rodyklę.

Norėdami išmontuoti, sukite prieš laikrodžio rodyklę.

Lempučių keitimas

Gaubte yra įrengta apšvietimo sistema, pagrįsta LED technologija.

Šviesos diodai užtikrina optimalų apšvietimą, trunkantį iki 10 kartų ilgiau nei tradicinės lemputės, ir leidžia sutaupyti iki 90 % elektros energijos.

Sugedus apšvietimo sistemai, kreipkitės į techninio aptarnavimo tarnybą.

LV GAISA NOSŪCĒJS

Stingri ievērojiet šajā rokasgrāmatā sniegtos norādījumus. Ražotājs neuzņemas atbildību par iespējamām neērtībām, kaitējumu vai ugunsgrēku, ko izraisījis šīs rokasgrāmatas norādījumu neievērošana. Tvaika nosūcējs ir izstrādāts ēdiena gatavošanas rezultātā radušos tvaiku un garaiņu nosūkšanai un ir paredzēts tikai lietošanai mājāsaimniecībās.

Jūsu iegādātais tvaika nosūcējs var atšķirties no šajā bukletā attēlotā tvaika nosūcēja. Tomēr lietošanas, uzturēšanas un uzstādīšanas norādījumi ir tādi paši.

- ! Noteikti saglabājiet šo brošūru, lai jebkurā brīdī varētu to izmantot. Pārliecinieties, ka tā tiek nodota kopā ar iekārtu, ja tvaika nosūcēju pārdojat, atdojat vai pārvietojat.
- ! Rūpīgi izlasiet norādījumus – tajos ir būtiska informācija par iekārtas uzstādīšanu, lietošanu un drošību.
- ! Neveiciet iekārtā vai izvades kanālos elektriskas vai mehāniskas izmaiņas.
- ! Pirms iekārtas uzstādīšanas pārbaudiet, vai nav bojātas iekārtas daļas. Ja konstatējat bojājumu, sazinieties ar tirgotāju un neturpiniet uzstādīšanu.

Ievērojiet! Daļas, kas apzīmētas ar simbolu “(*)”, ir izvēles piederumi, kas iekļauti tikai dažu modeļu vai daļu komplektācijā, un nav iekļauti visās iekārtās.



UZMANĪBU

BRĪDINĀJUMS!

- ! Nepievienojiet iekārtu elektrotīklam, pirms iekārta ir pilnībā uzstādīta.
- ! Pirms tīrīšanas vai apkopes veikšanas atvienojiet tvaika nosūcēju no elektrotīkla, izvelkot kontaktdakšu vai atvienojot elektrotīkla strāvas padevi.
- ! Uzstādīšanas un apkopes darbu laikā vienmēr valkājiet cimdus.
- ! Iekārta nav paredzēta bērniem vai personām ar ierobežotām fiziskām, sensorām vai garīgām spējām, bez pieredzes un zināšanām, izņemot gadījumus, kad tās saistībā ar ērīces lietošanu uzrauga vai apmāca persona, kas atbild par viņu drošību.
- ! Šī iekārta ir paredzēta lietošanai pieaugušajiem; jāraugās, lai bērni nerotaļātos ar iekārtu.
- ! Šī iekārta ir paredzēta lietošanai pieaugušajiem. Jānodrošina, lai bērni neaizskartu iekārtas vadības pogas un nerotaļātos ar iekārtu.
- ! Nekādā gadījumā nelietojiet tvaika nosūcēju, ja tam nav pienācīgi uzstādīts režģis!
- ! Tvaika nosūcēju NEKĀDĀ GADĪJUMĀ nedrīkst izmantot kā atbalsta virsmu, ja vien tas nav īpaši norādīts.
- ! Ja virtuves tvaiku nosūcēju izmanto kopā ar citām gāzes vai citu degvielas sadedzināšanas iekārtām, telpām, kurās uzstāda iekārtu, jābūt pietiekami ventilētām.
- ! Šai iekārtai izmantotā caurvlādu sistēma nedrīkst būt savienota ar jau esošu ventilācijas sistēmu, ko izmanto citiem nolūkiem, piemēram, izplūdes gāzu izvadišanai no iekārtām, kurās dedzina gāzi vai cita veida degvielu.
- ! Stingri aizliegts zem tvaika nosūcēja dedzināt ēdienu ar liesmu.
- ! Atklātas liesmas izmantošana ir kaitīga filtriem un var radīt aizdegšanās risku, tādēļ no tās jebkādos apstākļos ir jāizvairās.
- ! Cepot ēdienu, jāuzmanās, lai eļļa nepārkarstu un neaizdegtos.
- ! Izmantojot tvaika nosūcēju kopā ar ēdiena gatavošanas iekārtu, tvaika nosūcēja ārējās daļas var sakarst.
- ! Nodrošinot tvaiku izplūdes tehniskos un drošības pasākumus, stingri jāievēro vietējo iestāžu noteiktie normatīvie akti.
- ! Tvaika nosūcējs regulāri jātīra gan no iekšpusēs, gan ārpusēs (NE RETĀK KĀ REIZI MĒNESI).
- ! Tas jāveic saskaņā ar šajā rokasgrāmatā sniegtajiem norādījumiem). Šajā lietošanas pamācībā sniegto norādījumu par tvaika nosūcēja un filtru tīrīšanu neievērošana radīs aizdegšanās risku
- ! Lai novērstu iespējama elektrošoka risku, nelietojiet tvaika nosūcēju un neatstājiet to, ja tajā nav pareizi nostiprināta lampa.
- ! Mēs neuzņemsimies atbildību par iekārtas izraisītiem defektiem, bojājumiem vai ugunsgrēkiem, ja tie radušies šajā rokasgrāmatā iekļauto norādījumu neievērošanas dēļ.
- ! Šī ierīce ir marķēta atbilstoši Eiropas Direktīvai 2002/96/ES par elektrisko un elektronisko iekārtu atkritumiem (EEIA). Pareizi atbrīvojoties no šīs iekārtas, jūs palīdzat novērst iespējamu negatīvu ietekmi uz apkārtējo vidi un cilvēku veselību, kas varētu rasties, nepareizi atbrīvojoties no ierīces.



Simbols uz iekārtas vai iekārtas pavaddokumentiem norāda, ka šo iekārtu nedrīkst izmest sadzīves atkritumos. Iekārta ir jānodod speciālā elektrisko un elektronisko ierīču atkritumu savākšanas punktā otrreizējai pārstrādei. Atbrīvošanās no iekārtas jāveic saskaņā ar vietējiem vides aizsardzības noteikumiem atkritumu apsaimniekošanai.

Lai saņemtu sīkāku informāciju par šīs iekārtas sagatavošanu un nodošanu pārstrādei un pārstrādi, sazinieties ar vietējām iestādēm vai vietējo mājāsaimniecības atkritumu apsaimniekošanas nodaļu, vai veikalu, kurā iegādājieties šo iekārtu.

Iekārta ir konstruēta, izmēģināta un ražota saskaņā ar tālāk minētajiem normatīvajiem standartiem.

- **Drošība:** EN/IEC 60335-1; EN/IEC 60335-2-31, EN/IEC 62233.
- **Veiktspēja:** EN/IEC 61591; ISO 5167-1; ISO 5167-3; ISO 5168; EN/IEC 60704-1; EN/IEC 60704-2-13; ISO 3741; EN 50564; IEC 62301.
- **EMC:** EN 55014-1; CISPR 14-1; EN 55014-2; CISPR 14-2; EN/IEC 61000-3-2; EN/IEC 61000-3-3.

Ieteikumi pareizai lietošanai, lai samazinātu ietekmi uz apkārtējo vidi: sākot ēdiena gatavošanu, IESLĒDZIET tvaika nosūcēju uz minimālo ātrumu un izslēdziet to piecas minūtes pēc ēdiena gatavošanas beigām. Palieliniet ātrumu tikai tad, ja radies liels dūmu un garaiņu daudzums, un lietojiet palielināto jaudu tikai ārkārtējās situācijās. Lai saglabātu augstu smaku samazināšanas efektivitāti, vajadzības gadījumā nomainiet ogles filtru(-us). Lai saglabātu augstu tauku filtra efektivitāti, vajadzības gadījumā iztīriet tauku filtru(-us). Lai maksimāli palielinātu efektivitāti un samazinātu troksni, izmantojiet cauruļu sistēmu ar lielāko šajā rokasgrāmatā norādīto diametru.

Papildu uzstādīšana Specifikācijas:

Izmantojiet tikai iekārtas komplektācijā uzstādīšanai paredzētās stiprinājuma skrūves; ja tās nav iekļautas komplektācijā, iegādājieties pareizo skrūvju veidu. Izmantojiet uzstādīšanas norādījumos norādīto skrūvju garumu. Ja rodas šaubas, konsultējieties ar pilnvarotu apkopes centru vai līdzīgi kvalificētu personu.

Brīdinājums! Ja skrūves vai stiprinājuma ierīce netiek uzstādīta saskaņā ar šiem norādījumiem, iespējams elektrības izraisīts apdraudējums

LIETOŠANA

Tvaika nosūcējs ir paredzēts lietošanai izvades vai filtrēšanas variantā.



Modelis ar ventilācijas cauruli

Šajā variantā izgarojumi tiek izvadīti ārpus ēkas, izmantojot tīpašu cauruli, kas pievienota ar tvaika nosūcēja augšpusē uzstādītu savienojuma gredzenu.

Uzmanību! Izvades caurule nav iekļauta komplektācijā un jāiegādājas atsevišķi.

Izvades caurules diametram jābūt vienādam ar savienojuma gredzena diametru.

Horizontālajos posmos izvades caurule var būt nedaudz saliekta (apmēram 10 %) uz augšu, lai atvieglotu gaisa izvadišanu no telpas.

Uzmanību!

Ja tvaika nosūcējs ir aprīkots ar aktīvās ogles filtru, tas ir jāizņem.

Savienojot tvaika nosūcēju ar izplūdes atverēm sienās, diametram jābūt vienādam ar gaisa izvades diametru (savienojuma uzdeva).

Izmantojot caurules un izplūdes atveres sienās ar mazāku diametru, samazināsies sūkšanas veiktspēja un ievērojami palielināsies radītais troksnis.

Šādā gadījumā ražotājs neuzņemas atbildību.

! Lietojiet cauruli ar minimālo nepieciešamo garumu.

! Lietojiet cauruli ar pēc iespējas mazāk izliekumiem (maksimālais izliekuma lenķis: 90°).

! Sekojiet, lai nebūtu krasu izmaiņu caurules šķērsgriezumā.

! Lietojiet cauruli ar pēc iespējas gludāku iekšpusi.

! Caurulei jābūt izgatavotai no sertificēta materiāla.

Modelis ar filtrēšanas sistēmu

Šajā variantā ir nepieciešams aktīvās ogles filtrs, ko var iegādāties pie mazumtirgotāja.

Filtrs atfira iesūkto gaisu no taurkvielām un smakām un pēc tam caur augšējo izplūdes režģi novirza attīrīto gaisu atpakaļ telpā.

UZSTĀDĪŠANA

Minimālais attālums starp plīts virsmu un tvaika nosūcēja apakšējo daļu nedrīkst būt mazāks par 55 cm no elektriskajām plītm un 65 cm no gāzes vai jauktām plītm.

Ja gāzes plīts uzstādīšanas pamācībā norādīts lielāks attālums, jāievēro šis lielākais attālums.



Elektriskais savienojums

Elektrotīkla strāvai jāatbilst uz tvaika nosūcēja iekšpusē piestiprinātās datu plāksnītes norādītajai jaudai. Ja komplektā iekļauta kontaktakša, pēc tvaika nosūcēja uzstādīšanas savienojiet to ar pieejamā vietā un atbilstoši spēkā esošajiem noteikumiem uzstādītu kontaktligzdu. Ja komplektā nav iekļauta kontaktakša (tiešs savienojums ar elektrotīklu) vai kontaktakša atrodas nepieejamā vietā, pēc uzstādīšanas ierīkojiet saskaņā ar uzstādīšanas norādījumiem un prasībām uzstādītu divpolu slēdzi, kas nodrošina pilnīgu atvienošanu no elektrotīkla saskaņā ar nosacījumiem, kas attiecas uz strāvas pārslodzes III kategoriju.

Brīdinājums!

Pirms tvaika nosūcēja vēlreizējas pievienošanas strāvas tīklam un efektīvas darbības pārbaudes vienmēr pārliecinieties, ka strāvas tīkla kabelis ir pareizi uzstādīts.

Uzstādīšana

Iekārta ir ļoti smaga; tvaika nosūcēja pārvietošana un uzstādīšana jāveic vismaz diviem cilvēkiem.

Pirms uzstādīšanas:

- Pārbaudiet, vai iegādātās iekārtas lielums ir atbilstošs izvēlētajam uzstādīšanas laukumam.
- Izņemiet ogles (*) filtru(-us), ja tie iekļauti komplektācijā (skat. arī attiecīgo punktu). Tas/tie jāuzstāda tikai tādā gadījumā, ja vēlaties lietot tvaiku uzsūcēja filtra variantu.
- Pārbaudiet (transportēšanas nolūkā), vai tvaika nosūcēja iekšpusē nav citu komplektācijā iekļauto materiālu (piemēram, iepakojumi ar skrūvēm (*), garantijas (*), u.c.), ja tādi ir, izņemiet un saglabājiet tos.
- Lai nodrošinātu ērtāku pieeju aizmugures sienai un griestiem, atvienojiet un pārvietojiet no vietas, kurā tiks uzstādīts tvaiku nosūcējs, atsevišķi stāvošos vai iebūvētos skapīšus vai citus objektus, ja tas iespējams. Ja tas nav iespējams, pārklājiet virtuves darba virsmu, gatavošanas virsmu vai plīti ar biezu aizsargmateriālu, lai pasargātu tos no bojājumiem un atliekām.
- Iekārtas montāžai izvēlieties plakanu virsmu. Pārklājiet šo virsmu ar aizsargmateriālu un novietojiet visas tvaika nosūcēja pārsega un iekārtas detaļas.
- Turklāt pārbaudiet, vai tvaika nosūcēja uzstādīšanas tuvumā (zonā, kas ir pieejama arī ar uzstādītu tvaika nosūcēju) ir pieejama elektriskā kontaktligzda un ir iespējams savienot tvaiku izvades ierīci ar ārpusi (tikai iesūkšanas variantam).
- Veiciet visus nepieciešamos iebūvēšanas darbus (piemēram, uzstādiel elektrisko kontaktligzdu un/vai izveidojiet atveri, pa kuru tiks izlaista izplūdes caurule).

Tvaika nosūcēja nostiprināšanai parasti sienām/griestiem nepieciešami dībeļi, kas iekļauti komplektācijā. Tomēr materiālu piemērotību attiecīgajam sienas/griestu veidam jāpārbauda kvalificētam tehnikam. Sienai/griestiem jābūt pietiekami stīpriem, lai noturētu tvaika nosūcēja svaru. **Nemēģiniet tvaika nosūcēju piestiprināt tieši pie flīzēm, izmantot cementa javu vai silikona līmi. Drīkst izmantot tikai uzstādīšanu pie virsmas.**

EKSPLUATĀCIJA

Augstas tvaiku koncentrācijas gadījumā izmantojiet augstu iesūkšanas ātrumu. Ieteicams 5 minūtes pirms gatavošanas ieslēgt plīts tvaika nosūcēju un atstāt to darbojoties gatavošanas laikā un aptuveni 15 minūtes pēc gatavošanas beigām.

Mehāniskā vadība



- ⦿ Lai IESLĒGTU apgaismojumu, piespiediet pogu "Apgaismojums". Lai IZSLĒGTU apgaismojumu, piespiediet pogu vēlreiz.
- ⚙ Lai ieslēgtu motoru ar 1. ātrumu, piespiediet pogu "1. ātrums".
- ⚙ Lai ieslēgtu motoru ar 2. ātrumu, piespiediet pogu "2. ātrums".
- ⚙ Lai ieslēgtu motoru ar 3. ātrumu, piespiediet pogu "3. ātrums".
- ⦿ Lai izslēgtu motoru, piespiediet izslēgšanas pogu.

Skārienjutīgā vadība



Kad tvaika nosūcējs ir pievienots barošanai, tvaika nosūcējs būs gaidstāves režīmā, un būs izgaismotas tikai ieslēgšanas/izslēgšanas poga un apgaismojuma poga. 1.-3 ātruma pogas nav izgaismotas un tās nav iespējams izvēlēties.

- ⦿ Lai sāktu atlasīt motora ātrumus, piespiediet ieslēgšanas/izslēgšanas pogu. Ja ir izvēlēta ieslēgšanas/izslēgšanas poga, 1.-3. ātrums ir daļēji izgaismots.

- ⚙ Lai ieslēgtu motoru ar 1. ātrumu, piespiediet pogu "1. ātrums".
- ⚙ Lai ieslēgtu motoru ar 2. ātrumu, piespiediet pogu "2. ātrums".
- ⚙ Lai ieslēgtu motoru ar 3. ātrumu, piespiediet pogu "3. ātrums".
- ⦿ Lai IESLĒGTU apgaismojumu, piespiediet pogu "Apgaismojums". Lai IZSLĒGTU apgaismojumu, piespiediet pogu vēlreiz.

TEHNISKĀ APKOPE

UZMANĪBU! Pirms apkopes veikšanas izolējiet tvaiku nosūcēju no barošanas, izslēdzot strāvu pie savienotāja un izņemot savienotāja drošinātāju.

Vai, ja iekārta ir savienota, izmantojot kontaktdakšu un kontaktlīdzi, atvienojiet kontaktdakšu no kontaktlīdzdas.

Tīrīšana

Regulāri (vismaz tikpat bieži, kā veicat tauku filtru apkopi) jātīra tvaika nosūcēja iekšpuse un ārpuse.

Tīriet to, izmantojot ar dabīgu, šķidru tīrīšanas līdzekli samitrinātu drānu. Neizmantojiet abrazīvus produktus. **NEIZMANTOJIET SPIRTU!**
BRĪDINĀJUMS:

Pamata ieteikumu tvaiku nosūcēja tīrīšanai un filtru nomaīnai neievērošana var izraisīt ugunsgrēka risku.

Tādēļ šo norādījumu ievērošanai mēs iesakām ievērot

Ražotājs atsakās no jebkādas atbildības par motoram nodarītiem bojājumiem vai ugunsgrēka radītu kaitējumu, kas saistīts ar neatbilstošu apkopi vai iepriekš minēto drošības ieteikumu neievērošanu.

iepriekš minētos drošības ieteikumus.

Tauku filtrs

Uztver ēdiena gatavošanas rezultātā radušās tauku daļiņas.

Tauku filtrs jātīra reizi mēnesī, izmantojot saudzīgus tīrīšanas līdzekļus, vai nu ar rokām, vai trauku mazgājamajā mašīnā, kurai jāuzstāda zema temperatūra un īss mazgāšanas cikls.

Mazgājot trauku mazgājamajā mašīnā, tauku filtrs var nedaudz mainīt krāsu, bet tas neietekmē filtra filtrēšanas spēju.

Lai izņemtu tauku filtru, pavelciet atsperes atbrīvošanas rokturi.

Ogļu filtrs (tikai filtra versija)

Uzsūc gatavošanas laikā radušās nepatīkamos aromātus.

Ogļu filtrs piesātinās pēc vairāk vai mazāk ilgstošas lietošanas atkarībā no gatavošanas veida un tauku filtra tīrīšanas biežuma.

Kasete jānomaina ne retāk kā reizi četros mēnešos.

Ogļu filtru NEDRĪKST mazgāt vai atjaunot.

Apjveida oglekļa filtrs

Uzlieciet pa vienam uz abām motora darba rata aizsargsietiņa pusēm kā vāku, pēc tam pagrieziet pulksteņa rādītāja kustības virzienā.

Lai izjauktu, pagrieziet pretēji pulksteņa rādītāju kustības virzienam.

Lampīņu nomaina

Tvaika nosūcējs ir aprīkots ar apgaismojuma sistēmu, kuras pamatā LED tehnoloģijas.

LED garantē optimālu apgaismojumu, 10 reižu garāku lietošanas ilgumu nekā tradicionālajām spuldzēm un ļauj ietaupīt 90 % elektroenerģijas.

Apgaismes sistēmas traucējumu gadījumā sazinieties ar tehnisko dienestu.

МК АСПИРАТОР

Придржувајте се строго до инструкциите во ова упатство. Отфрламе било каква одговорност за сите евентуални непријатности, штети или пожари предизвикани со непридржување до инструкциите во ова упатство. Аспираторот е наменет за вшмукување испарувања и пари при готвење и треба да се користи исклучиво во домаќинството.

Аспираторот може да изгледа поинаку одошто на илустрациите во оваа брошура. Сепак, упатствата за употреба, одржување и инсталација остануваат истите.

- ! Важно е да ја сочувате оваа брошура заради консултација во било кој момент. Во случај на продажба, отстапување или преместување, не заборавајте да ја ставите заедно со производот.
- ! Внимателно прочитајте го упатството: содржи важни информации за инсталацијата, употребата и безбедноста.
- ! Не вршете електрични или механички измени на производот или на издувните црева.
- ! Пред да започнете со инсталација на апаратот, проверете да не има некоја оштетена компонента. Доколку има, контактирајте го вашиот дилер и не продолжувајте со инсталацијата.

Напомена: елементите означени со симболот „(*)“ се опциони придружни елементи, кои доаѓаат само со одредени модели или елементи што може дополнително да се купат, но не одат со апаратот.



ВНИМАНИЕ ПРЕДУПРЕДУВАЊЕ!

- ! Не приклучувајте го апаратот на електричната мрежа се додека инсталацијата не биде целосно завршена.
- ! Пред чистење или одржување на апаратот, исклучете го од електричната мрежа така што ќе го извлечете кабелот од штекерот или ќе го прекинете доводот на струја.
- ! Секогаш носете ракавици за време на инсталација и одржување.
- ! Апаратот не е наменет за употреба од страна на деца или лица со намалени физички, сетилни или ментални способности или доколку немаат искуство или знаење, освен доколку не се под надзор или не биле обучени за користење на апаратот од страна на лице кое е одговорно за нивната безбедност.
- ! Апаратот е наменет за ракување од страна на возрасни. Децата треба да бидат под надзор, за да не си играат со апаратот.
- ! Апаратот е наменет за ракување од страна на возрасни. На децата не треба да им се дозволи да ги чепкаат командите или да се играат со апаратот.
- ! Никогаш не користете го аспираторот без ефективно заземјување!
- ! Аспираторот НИКОГАШ не смее да се користи како подлога, освен доколку тоа не е конкретно наведено.
- ! Просторијата во која е инсталиран апаратот мора да биде доволно проветрена кога аспираторот се користи истовремено со други плински уреди или уреди на поинаква енергија.
- ! Издувниот систем на апаратот мора да се поврзе со постојниот систем на вентилација кој се користи за која и да е друга намена, како што е одведување издувни испарувања од уреди на плин или на друг извор на енергија.
- ! Готвење храна на пламен под аспираторот е строго забрането.
- ! Употребата на отворен пламен е штетна за филтрите и може да доведе до ризик од пожар, па поради тоа мора да се избегнува во сите околности.
- ! Мора да се пржи внимателно, за маслото да не се прегрее и да се запали.
- ! Пристапните делови од аспираторот може да се вжештат кога се користи со апарат за готвење.
- ! Во однос на техничките и безбедносните мерки што треба да се преземат во однос на одведувањето испарувања, важно е строго да се придржуваат до регулативата донесена од страна на локалните власти.
- ! Аспираторот мора редовно да се чисти и од внатрешната и од надворешната страна (НАЈМАЛКУ ЕДНАШ МЕСЕЧНО).
- ! Тоа мора да се прави во согласност со упатствата за одржување содржани во ова упатство. Не следењето на инструкциите дадени во ова упатство во врска со чистењето на аспираторот и филтрите ќе доведе до ризик од пожар.
- ! Не користете го и не оставајте го аспираторот без сјајлицата да биде правилно монтирана, заради можен ризик од струен удар.
- ! Не прифаќајте никаква одговорност за евентуални грешки, штети или пожари предизвикани како резултат на не следење на инструкциите дадени во ова упатство.
- ! Апаратот е означен во согласност со Европската директива 2002/96/ЕЗ за отпадна електрична или електронска опрема (WEEE). Со правилно исфрлање на овој производ, помагате во спречувањето евентуални негативни последици по животната средина и човечкото здравје, што во спротивно би можело да бидат предизвикани со несоодветно исфрлање на овој производ.



Симболот на производот или на придружните документи навестува дека апаратот не смее да се третира како отпад од домаќинството. Наместо тоа, треба да се однесе до соодветната соборно место за рециклирање електрична и електронска опрема. Исфрлањето мора да се изврши согласно со локалните еколошки прописи за одлагање отпад. За понатамошни детални информации во врска со процесирањето, собирањето и рециклирањето на овој производ, ве молиме контактирајте ги соодветните служби на вашите локални власти или локалната служба за отпад од домаќинствата или продавницата од која сте го купиле производот.

Апаратот е дизајниран, тестиран и произведен во согласност со:

- **Безбедност:** EN/IEC 60335-1; EN/IEC 60335-2-31, EN/IEC 62233.
- **Работа:** EN/IEC 61591; ISO 5167-1; ISO 5167-3; ISO 5168; EN/IEC 60704-1; EN/IEC 60704-2-13; ISO 3741; EN 50564; IEC 62301.
- **EMC:** EN 55014-1; CISPR 14-1; EN 55014-2; CISPR 14-2; EN/IEC 61000-3-2; EN/IEC 61000-3-3.

Предлози за правилна употреба за да се намали влијанието врз животната средина. Вклучете го аспираторот на минимална брзина кога почнувате со готвењето и оставете го да работи неколку минути откако ќе завршите со готвењето. Зголемете ја брзината единствено во случај на големи количини чад и испарувања, а најголемата(ите) брзина(и) користете ја(ги) само во исклучителни ситуации. Заменете го(ги) јагленит(те) филтер(ри) по потреба, за да одржувате добра ефикасност во намалувањето на миризбите. Чистете го(ги) филтерот(рите) за маснотии по потреба, за да ја одржите добрата ефикасност на филтерот. Користете го максималниот дијаметар на издувниот систем наведен во ова упатство, за да ја оптимизирате ефикасност и да ја сведете бучавата на минимум.

Дополнителни спецификации за инсталацијата:

Користете ги единствено шрафовите за прицврстување доставени со производот заради инсталација или, доколку не се доставени со производот, купете го правилниот вид шрафови.

Користете шрафови со правилната должина наведена во Упатството за инсталација.

Во случај на недоумица, консултирајте се со овластениот центар за помош или со слично, квалификувано лице.

ПРЕДУПРЕДУВАЊЕ! Не инсталирањето на шрафовите или уредот за прицврстување во согласност со овие упатства може да доведе до електрични опасности.

ПРИМЕНА

Аспираторот е наменет за користење или како издувен систем или како верзија со филтер.



Верзија со издувни цевки

Во овој случај, испарувањата се одведуваат вон зградата, со помош на специјална цевка, поврзана со приклучниот прстен сместен на врвот на аспираторот.

Внимание! Издувната цевка не се доставува со производот и мора да се купи засебно.

Дијаметарот на издувната цевка мора да биде еднаков на дијаметарот на приклучниот прстен.

При хоризонтално поставување, издувната цевка може да биде малку закривена (околу 10°) и насочена угоре, за лесно да го одведува воздухот од просторијата кон надворешноста.

Внимание! Доколку аспираторот има филтер со активен јаглен, тогаш тој мора да се отстрани.

Поврзете го аспираторот и издувните дупки на ѕидовите со дијаметар еднаков на отворот за испуст на воздухот (приклучна фланша).

Користење цевки и издувни дупки на ѕидовите со помали димензии ќе резултира со намалување на вшмукувањето и драстично зголемување на бучавата.

Според тоа, целата одговорност во оваа работа се отфрла.

! Користете цевка со минималната неопходна должина.

! Користете цевка со што е можно помалку „колена“ (максимален агол на „колелото“: 90°).

! Одбегнувајте драстични промени во пресекој на цевката.

! Користете цевка со колку што е можно помазна внатрешност.

! Цевката мора да биде изработена од сертифициран материјал.



Верзија со филтер

За ова е потребен еден филтер со активен јаглен и може да се купи во вашето вообичаено малопродажно место.

Филтерот ги отстранува маснотиите и миризбите од вшмуканиот воздух пред да го врати во просторијата преку горната испусна мрежа.

ИНСТАЛАЦИЈА

Минималното растојание помеѓу површината на подлогата на опремата за готвење за плочата и најнискиот дел од аспираторот мора да биде најмалку 55см од електричните шпорети и 65см од шпорети на плин или комбинирани шпорети.

Доколку во упатството за инсталација на плинска плоча наведуваат поголемо растојание, тоа мора да се почитува.



Приклучување на електрична мрежа

Главната електрична мрежа мора да соодветствува со спецификациите наведени на плочката сместена во внатрешноста на аспираторот. Доколку со производот е доставен и струен кабел, приклучете го аспираторот во штекер кој е во согласност со постојните прописи и кој, по инсталацијата, треба да биде на достапно место. Доколку со производот не доаѓа кабел (директно поврзување со електричната мрежа) или доколку штекерот не е на достапно место, по инсталацијата ставете двополен преклучувач, во согласност со стандардите со кои се обезбедува целосно исклучување на електричната мрежа во услови на прекумерна струја од категорија III, согласно со упатството за инсталација.

Внимание! Пред повторно приклучување на аспираторот во струја и проверка на ефикасното функционирање на апаратот, секогаш проверете дали струјниот кабел е правилно поврзан.

Монтирање

Производот е многу тежок; со аспираторот мора да ракуваат и да го инсталираат најмалку две лица.

Пред почеток со инсталацијата:

- Проверете дали купениот производ е со соодветна големина за одбраната просторија во која ќе се инсталира.
- Извадете го(ги) филтерот(ите) со јаглен (*) доколку е(се) доставен(и) со апаратот (види го и односниот пасус). Филтерот(ите) треба да се инсталира(ат) само доколку сакате да ја користите верзијата на аспираторот со филтер.
- Проверете (од транспортни причини) да не има друг материјал во внатрешноста на аспираторот доставени заедно со него (на пр., пакети со шрафови (*), гаранции (*), итн.), извадете го и сочувајте го.
- Доколку е можно, исклучете го и оддалечете го шпоретот кој е вграден или не е вграден во кујнски елемент од отворот на елементот, за да се овозможи полесен пристап до задниот сид/таванот. Во спротивно, ставете дебела, заштитна прекривка врз кујнскиот елемент, шпоретот или плочата за готвење, за да ги заштитите од оштетување или од отпадоци. Одберете рамна површина за поставување на аспираторот. Прекријте ја таа површина со заштитна прекривка и сместете ги сите делови и хардверот на сводестиот аспиратор во неа.
- Освен тоа, проверете дали во близина на местото на инсталација на аспираторот (во просторот кој е достапен и со монтираниот аспиратор) постои штекер и дали е можно да се поврзе систем за одведување на испарувањата кон надворешноста (само кај верзиите со вшмукување).
- Направете ги сите неопходни сидарски работи (на пр., инсталација на штекер и/или дупка за издувната цевка).

Обезбедени се продолжни сидни прицврстувачи, за прицврстување на аспираторот на повеќето видови сидови/тавани. Сепак, квалификуван техничар мора да ја провери соодветноста на материјалите со видот на сидот/таванот. Сидот/таванот мора да биде доволно цврст за да ја издржи тежината на аспираторот. **Не лепете го апаратот за сидот со лепило за плочки, цемент или силикон. Исклучиво површинско монтирање.**

РАБОТА

Користете ја функцијата на вшмукување со голема брзина во случај на сконцентрирани кујнски испарувања. Се препорачува вшмукувањето да се вклучи 5 минути пред готвењето и да се остави да работи во текот на готвењето и околу 15 минути по крајот на готвењето.

Механички команди



Притиснете го копчето за Сијалица (Light) за да ја ВКЛУЧИТЕ сијалицата. Притиснете го копчето повторно за да ја ИСКЛУЧИТЕ сијалицата.

Притиснете го копчето Брзина 1 (Speed 1) за да го вклучите моторот со брзина 1.

Притиснете го копчето Брзина 2 (Speed 2) за да го вклучите моторот со брзина 2.

Притиснете го копчето Брзина 3 (Speed 3) за да го вклучите моторот со брзина 3.

Притиснете го копчето за Исклучување (Switch Off) за да го исклучите моторот.

Команди на допир



Кога аспираторот е приклучен на струја, тој е во режим „стенд-бај“ и светат единствено копчето Вклучи/Исклучи (On/Off) и копчето за Сијалица (Light). Копчињата за Брзина од 1 до 3 не светат и не може да се притиснат.

Притиснете го копчето Вклучи/Исклучи (On/Off) за да ја изберете брзината на работа на моторот. Кога е притиснато копчето Вклучи/Исклучи (On/Off), брзините од 1 до 3 се полуосветлени.

Притиснете го копчето Брзина 1 (Speed 1) за да го вклучите моторот со брзина 1.

Притиснете го копчето Брзина 2 (Speed 2) за да го вклучите моторот со брзина 2.

Притиснете го копчето Брзина 3 (Speed 3) за да го вклучите моторот со брзина 3.

Притиснете го копчето за Сијалица (Light) за да ја ВКЛУЧИТЕ сијалицата. Притиснете го копчето повторно за да ја ИСКЛУЧИТЕ сијалицата.

ОДРЖУВАЊЕ

ВНИМАНИЕ! Пред какво и да е одржување, прекинете го доводот на струја до аспираторот со исклучување на конекторот и вадење на осигурувачот на конекторот.

Или, пак, доколку апаратот е приклучен преку кабел во штекер, кабелот мора да се извади од штекерот.

Чистење

Аспираторот за шпорет треба редовно да се чисти (најмалку со истата честота со која ги одржувате филтрите за масти), и тоа и внатрешно и надворешно. Чистете го со помош на крпа натопена во неутрален, течен детергент. Не користете абразивни средства. **НЕ КОРИСТЕТЕ АЛКОХОЛ!**

ПРЕДУПРЕДУВАЊЕ: Непридржувањето кон овие препораки за чистење на аспираторот и за замена на филтрите доведува до ризик од пожар. Поради тоа, наша препорака е да се придржувате до овие инструкции.

Производителот отфрла секаква одговорност за какво и да е оштетување на моторот или штета причинета од пожар кои се поврзани со несоодветно одржување или непридржување кон горните безбедносни препораки.

Филтер за маснотии

Ги заробува честичките од маснотии што се создаваат при готвењето.

Филтерот за маснотии мора да се чисти еднаш месечно со помош на неагресивни детергенти, или рачно или во машината за садови, која мора да работи на ниска температура и во кратка програма. Кога се мие во машина за садови, филтерот за маснотии може донекаде да ја изгуби бојата, но тоа не влијае врз неговиот капацитет за филтрирање.

За да го отстраните филтерот за маснотии, повлечете ја рачката за ослободување.

Филтер со јаглен (само кај моделите со филтри)

Ги апсорбира непријатните миризби што се создаваат при готвењето.

Филтерот со јаглен се троши по подолга или пократка употреба, во зависност од видот на готвење и редовноста во чистењето на филтерот за маснотии.

Во секој случај, потребно е патронот да се менува најмалку на секои четири месеци.

Филтерот со јаглен НЕ може да се мие или да се регенерира.

Циркуларен филтер со јаглен

Ставете по еден на секоја страна, така што ќе се прекријат двете заштитни решетки на пропелерот на моторот и потоа завртете ги во насока на движење на стрелките на часовникот.

За демонтажирање, завртете ги во насока спротивна на стрелките на часовникот.

Менување сијалици

Аспираторот е опремен со систем на осветлување со ЛЕД технологија.

Лед сијалиците гарантираат оптимално осветлување, кое трае и до 10 пати подолго од традиционалните сијалици и овозможуваат заштеда на електричната енергија од 90%.

Во случај на неисправност на системот за осветлување, контактирајте ја техничката служба.

NO VENTILATOR

Følg anvisningene i denne veiledningen nøye.

Vi fraskriver oss ethvert ansvar for problemer, skade eller brann som skyldes at anvisningene i denne veiledningen ikke er fulgt. Ventilatoren er konstruert for innsuging av matos og damp og er bare beregnet til bruk i private husholdninger.

Ventilatoren kan se annerledes ut enn på illustrasjonene i denne veiledningen. Anvisningene for bruk, vedlikehold og installasjon er imidlertid de samme.

! Det er viktig å ta vare på denne veiledningen slik at du kan slå opp i den senere. Ved salg, overdragelse eller flytting skal denne veiledningen legges ved produktet.

! Les anvisningene nøye: De inneholder viktig informasjon om installasjon, bruk og sikkerhet.

! Ikke foreta elektriske eller mekaniske endringer på produktet eller avtrekkskanalen.

! Før du begynner å installere apparatet, må du kontrollere at ingen komponenter er skadet. Hvis du oppdager skader, må du kontakte forhandleren og ikke fortsette med installasjonen.

Merk: Elementene som er merket med symbolet (*), er ekstra tilbehør som er inkludert på noen modeller og som kan kjøpes som tilleggsutstyr til andre modeller.



NB!

ADVARSEL!

! Ikke koble ventilatoren til strømmettet før den er ferdig installert.

! Før rengjøring eller vedlikehold må ventilatoren kobles fra strømmettet ved å trekke ut støpslet eller koble ut strømforsyningen.

! Bruk alltid hansker når du utfører installasjons- og vedlikeholdsarbeid.

! Dette produktet er ikke beregnet til bruk av barn eller andre personer med reduserte fysiske, sensoriske eller mentale evner, heller ikke av personer som mangler erfaring og kunnskap, med mindre de er under tilsyn eller er instruert i bruken av produktet av en person som er ansvarlig for deres sikkerhet.

! Dette produktet er beregnet til å bli brukt av voksne, barn må holdes under oppsyn så de ikke leker med produktet.

! Dette produktet er beregnet på å betjenes av voksne. Ikke la barn fingre med bryterne eller leke med produktet.

! Ikke bruk ventilatoren uten et riktig montert gitter!

! Ventilatoren skal IKKE brukes som støtteunderlag, unntatt hvis dette er uttrykkelig spesifisert.

! Stedet der ventilatoren skal installeres, må være godt nok ventilert dersom produktet skal brukes samtidig som apparat som forbrenner gass eller andre typer brennstoff.

! Kanalsystemet til dette produktet må ikke kobles til noe eksisterende ventilasjonssystem som brukes til andre formål, for eksempel som avgassystem for apparater som forbrenner gass eller andre brennstoffer.

! Flambering av mat under selve ventilatoren er strengt forbudt.

! Bruk av åpen flamme er skadelig for filterne og kan innebære brannfare og må derfor unngås under alle forhold.

! Pass alltid ekstra godt på ved frityrsteking slik at oljen ikke overopphetes og tar fyr.

! Tilgjengelige deler på ventilatoren kan bli varme når den brukes sammen med en koketopp.

! Når det gjelder tekniske sikkerhetstiltak i forbindelse med bortledning av avgasser, må lokale forskrifter følges til punkt og prikke .

! Ventilatoren må rengjøres regelmessig både på innsiden og utsiden (MINST ÉN GANG I MÅNEDEN).

! Rengjøringen må utføres i samsvar med vedlikeholdsanvisningene i denne veiledningen. Manglende overholdelse av anvisningene for rengjøring av ventilatoren og filterne kan medføre brannfare.

! Ikke bruk eller gå fra ventilatoren uten riktig montert lyspære, dette på grunn av mulig fare for elektrisk støt.

! Vi fraskriver oss ethvert ansvar for feil eller skade på produktet eller brann som skyldes manglende overholdelse av anvisningene i denne veiledningen.

! Dette apparatet er merket i henhold til europeisk direktiv 2002/96/EF om elektrisk og elektronisk avfall (WEEE). Sørg for riktig avhending av produktet slik at du bidrar til å forebygge miljøskader og helseskader.



Symbolet på produktet eller på dokumentene som følger med produktet, viser at dette apparatet ikke skal behandles som husholdningsavfall. Det skal leveres til et godkjent mottak for gjenvinning av elektrisk og elektronisk avfall.

Avhending må skje i henhold til lokale miljøforskrifter for avfallshåndtering.

For mer detaljert informasjon om behandling, innsamling og resirkulering av dette produktet kan du kontakte lokale myndigheter, den lokale renovasjonsbedriften eller butikken der du kjøpte produktet.

Apparatet er konstruert, testet og produsert i henhold til:

- **Sikkerhet:** EN/IEC 60335-1; EN/IEC 60335-2-31, EN/IEC 62233.
- **Kapasitet:** EN/IEC 61591; ISO 5167-1; ISO 5167-3; ISO 5168; EN/IEC 60704-1; EN/IEC 60704-2-13; ISO 3741; EN 50564; IEC 62301.
- **EMC:** EN 55014-1; CISPR 14-1; EN 55014-2; CISPR 14-2; EN/IEC 61000-3-2; EN/IEC 61000-3-3.

Tips om riktig bruk for å redusere miljøpåvirkningen: Slå PÅ ventilatoren på laveste hastighet når du begynner å lage mat, og la den stå på noen minutter etter at maten er ferdig. Øk hastigheten ved store mengder røyk og damp, og bruk høy tillegghastighet bare i ekstreme situasjoner. Skift ut kullfilter/kullfiltre når dette er nødvendig for å opprettholde effektiv luktreduksjon. Rengjør fettfilter/fettfiltre når dette er nødvendig for å opprettholde effektiv fettfiltrering. Bruk den maksimale diameteren på kanalsystemet som er angitt i denne veiledningen, for å optimere effektiviteten og minimere støyen.

Tilleggsspesifikasjoner for installasjon

Bruk bare festeskruene som følger med produktet, under installasjonen. Hvis de ikke følger med, må du selv kjøpe riktig type skruer. Bruk riktig lengde på skruene, som angitt i installasjonsveiledningen. Kontakt et autorisert servicesenter eller lignende fagfolk hvis du er i tvil.

ADVARSEL! Hvis ikke skruene eller festeanordningen monteres i henhold til disse instruksjonene, kan dette føre til elektrisk fare.

BRUK

Ventilatoren kan brukes enten som avtrekkskette eller filterhette.



Med avtrekkskanal

I denne versjonen føres matosen ut av bygningen ved hjelp av rør som kobles til tilkoblingsringen oppå ventilatoren.

NB! Avtrekkskanalen er ikke inkludert og må kjøpes separat.

Diameteren på avtrekkskanalen må være lik diameteren på tilkoblingsringen.

Den horisontale delen av avtrekkskanalen må helle litt oppover (ca. 10°) slik at luften lettere ventileres fra rommet og ut i friluft.

NB! Hvis ventilatoren leveres med aktivt kullfilter, må dette fjernes. Koble ventilator- og utløpsåpningene til veggen med en diameter som tilsvarer luftåpnet (tilkoblingsflens).

Bruk av rør og utløpsåpninger på veggen med mindre dimensjoner vil føre til redusert sugeeffekt og drastisk økning av støynivået.

Vi fraskriver oss derfor ethvert ansvar i slike tilfeller.

! Bruk et kortest mulig rør.

! Sørg for at kanalen har så få albuer som mulig (maksimal albuvinkel: 90°).

! Unngå store variasjoner i kanaltvernsnittet.

! Bruk en kanal som er så glatt som mulig innvendig.

! Kanalen må være laget av godkjent materiale.



Med filtersystem

Til denne versjonen trengs det et aktivt kullfilter, og dette kan kjøpes hos forhandleren. Filteret fjerner fett og lukt fra den utsugde luften før det sender luften tilbake i rommet gjennom det øvre utløpsgitteret.

INSTALLASJON

Minimumsavstanden fra støtteflaten for kokeutstyret på koketoppen og den laveste delen av ventilatoren må være minst 55 cm for elektriske komfyrer og 65 cm for gasstopper og kombinerte koketopper.

Hvis installasjonsveiledningen for gasstoppen angir større minsteavstand, må dette følges.



Elektrisk tilkobling

Strømforsyningen må stemme overens med informasjonen på merkeskiltet på innsiden av ventilatoren. Hvis ventilatoren leveres med støpsel, må ventilatoren kobles til en stikkontakt som er i samsvar med gjeldende forskrifter og er plassert på et tilgjengelig sted, også etter installasjonen. Hvis ventilatoren ikke leveres med støpsel (direkte tilkobling til strømmettet) eller hvis støpslet ikke er plassert på et tilgjengelig sted etter installasjonen, må det brukes en topolet bryter i samsvar med standardene, som sikrer fullstendig frakobling av strømmettet i tilfelle overstrøm i kategori III, i samsvar med installasjonsveiledningen.

Advarsel! Før du koblet ventilatorkretsen til strømmettet igjen for å kontrollere om alt virker, må du alltid sjekke at strømledningen er riktig montert.

Montering

Svært tungt produkt; håndtering og installasjon må utføres av minst to personer.

Før installasjon:

- Kontroller at produktet du har kjøpt, har en egnet størrelse for det valgte installasjonsområdet.
- Fjern kullfilter/kullfiltre (*) hvis slike følger med (se også avsnittet om dette). Kullfilter/kullfiltre skal bare monteres hvis du vil bruke ventilatoren i et filtreringssystem.
- Kontroller at det ikke av transportgrunner er plassert noe medfølgende materiale på innsiden av ventilatoren (f.eks. pakker med skruer (*), garantier (*), osv.). Fjern eventuelt slikt materiale og ta vare på det.
- Hvis mulig må du koble fra og flytte frittstående eller innbygd komfyr fra skapåpningen for å gi bedre tilgang til bakveggen/taket. Du kan også legge et tykt beskyttelsesdeksel over kjøkkenbenken, koketoppen eller komfyren for å beskytte mot skader og avfall. Velg et flatt område for montering av enheten. Dekk underlaget med et beskyttelsesdeksel, og plasser alle delene til ventilatoren og maskinvaren oppå dette.
- I tillegg må du kontrollere om det finnes en tilgjengelig stikkontakt i nærheten av installasjonsområdet for ventilatoren (i et område som er tilgjengelig også etter at ventilatoren er montert), og at det er mulig å koble til en avtrekksenhet på utsiden (bare versjoner med avtrekk).
- Utfør alt nødvendig murarbeid (f.eks. installasjon av en stikkontakt og/eller et hull til gjennomføring av avtrekksrøret).

Ventilatoren leveres med ekspansjonspluggen slik at den kan festes til de fleste typer vegger/tak. Men en kvalifisert fagtekniker må kontrollere om materialet er egnet i forhold til typen vegg/tak. Vegg/taket må være solid nok til å tåle tyngden av ventilatoren. **Ikke bruk fliser, mur eller silikon for å feste ventilatoren til veggen. Bruk bare overflatemontering.**

BETJENING

Bruk den høye sugehastigheten ved konsentrert matos. Vi anbefaler at avtrekksketten slås på fem minutter før matlaging, at den blir stående på under hele prosessen og i 15 minutter etter at maten er ferdig.

Mekaniske kontroller



- ⏻ Trykk på lysknappen for å slå PÅ lyset. Trykk en gang til på lysknappen for å slå AV lyset.
- ⚙ Trykk på knappen for hastighet 1 for å starte motoren med hastighet 1.
- ⚙ Trykk på knappen for hastighet 2 for å starte motoren med hastighet 2.
- ⚙ Trykk på knappen for hastighet 3 for å starte motoren med hastighet 3.
- Trykk på av/på-bryteren for å slå av motoren.

Berøringskontroller



Når ventilatoren er koblet til strømforsyningen, vil den være i hvilemodus og bare av/på-bryteren og lysbryteren vil lyse svakt. Knappene for hastighet 1-3 lyser ikke og kan ikke velges.

- ⏻ Trykk på av/på-bryteren for å begynne å velge viftehastighet. Når av/på-bryteren er trykt inn, lyser hastighet 1-3 svakt.
- ⚙ Trykk på knappen for hastighet 1 for å starte motoren med hastighet 1.
- ⚙ Trykk på knappen for hastighet 2 for å starte motoren med hastighet 2.
- ⚙ Trykk på knappen for hastighet 3 for å starte motoren med hastighet 3.
- ⏻ Trykk på lysknappen for å slå PÅ lyset. Trykk en gang til på lysknappen for å slå AV lyset.

VEDLIKEHOLD

NB! Før du utfører vedlikeholdsarbeid, må du koble ventilatoren fra strømforsyningen ved å slå av bryteren og fjerne sikringen. Eller hvis apparatet er tilkoblet med støpsel og stikkontakt, må du trekke støpslet ut av stikkontakten.

Rengjøring

Ventilatoren må rengjøres regelmessig innvendig og utvendig (minst like ofte som fettfiltrene). Rengjør med en klut fuktet i nøytralt oppvaskmiddel. Ikke bruk slipende produkter. **IKKE BRUK SPRIT!**

ADVARSEL! Manglende overholdelse av anvisningene for rengjøring av ventilatoren og utskifting av filtrene kan medføre brannfare. Derfor anbefaler vi sterkt at disse instruksjonene følges.

Produsenten fraskriver seg ethvert ansvar for skade på motoren eller brannskade som skyldes feil vedlikehold eller manglende overholdelse av sikkerhetsreglene ovenfor.

Fettfilter

Samler opp stekefettpartikler.

Fettfilteret må rengjøres en gang i måneden med ikke-aggressive rengjøringsmidler, enten for hånd eller i oppvaskmaskin. Oppvaskmaskinen må i så fall stilles inne på en lav temperatur og et kort program. Hvis filtrene vaskes i oppvaskmaskin, kan fettfilteret bli litt misfarget, men dette betyr ingenting for filtreringsevnen. Du fjerner fettfilteret ved å trekke i det fjærbelastede håndtaket.

Kullfilter (bare med filtersystem)

Det absorberer ubehagelig lukt som oppstår under tilberedningen.

Etter mer eller mindre langvarig bruk mettes kullfilteret, tiden avhenger av typen tilberedning og hvor ofte fettfilteret rengjøres.

Uansett er det nødvendig å skifte ut patronen minst hver fjerde måned.

Kullfilteret kan IKKE vaskes eller renses.

Rundt kullfilter

Sett et kullfilter hver side for å dekke både beskyttelsesgitrene til viftehjulet, og dreii med urviseren.

Drei mot urviseren for demontering.

Skifte lyspære

Ventilatorene har et belysningsssystem basert på LED-teknologi.

LED-lysene sørger for optimal belysning, varer inntil 10 ganger lengre enn vanlige lyspærer og sparer inntil 90 % av strømmen.

Hvis belysningsystemet ikke fungerer som det skal, kan du ta kontakt med teknisk service.

PL OKAP WYCIĄGOWY

Należy stosować się do wskazówek, zawartych w niniejszej instrukcji obsługi. Producent nie ponosi odpowiedzialności za ewentualne nieprawidłowości, szkody czy też pożar, do których mogłoby dojść na skutek niezastosowania się do wskazówek, zawartych w niniejszej instrukcji obsługi. Okap wyciągowy przeznaczony jest do odsysania dymów i pary, które powstają podczas gotowania. Urządzenie przeznaczone jest wyłącznie do użytku domowego, w gospodarstwie domowym.

Okap wyciągowy może wyglądać inaczej niż na rysunkach, znajdujących się w tej instrukcji. Bez względu na to instrukcja obsługi, konserwacji i montażu pozostaje niezmienniona.

- ! Niniejszą instrukcję obsługi należy zachować, aby móc w dowolnym momencie ponownie z niej skorzystać. Sprzedając czy oddając urządzenie innemu użytkownikowi należy zadbać, aby zawsze była do niego załączona również instrukcja obsługi.
- ! Uważnie należy zapoznać się z instrukcją obsługi, ponieważ zawiera ona ważne informacje dotyczące montażu, bezpiecznego użytkowania i konserwacji urządzenia.
- ! Nie należy dokonywać jakichkolwiek ingerencji w systemy elektryczne czy mechaniczne urządzenia czy też zabiegów mających na celu dostosowanie urządzenia do własnych potrzeb czy też ingerować w system przewodów lub rur odprowadzających.
- ! Przed montażem urządzenia należy sprawdzić, czy żadne jego części nie zostały uszkodzone. Jeżeli okaże się, że jakiś element składowy urządzenia został uszkodzony, należy powiadomić o tym sprzedawcę i wstrzymać montaż urządzenia.

Uwaga: Elementy, oznaczone symbolem "(*)", stanowią dodatkowe wyposażenie, załączone jedynie do niektórych modeli lub też są dostępne jako dodatkowe wyposażenie i nie są załączone do urządzenia.



UWAGA! OSTRZEŻENIE!

- ! Urządzenia nie należy przyłączać do sieci elektrycznej, dopóki jego montaż nie został jeszcze zakończony.
- ! Przed czyszczeniem bądź konserwacją okap należy odłączyć z sieci elektrycznej, wysuwając wtyczkę z gniazda sieciowego lub wyłączając główny wyłącznik prądu.
- ! Podczas wykonywania jakichkolwiek prac montażowych lub konserwacyjnych należy zawsze nosić rękawice ochronne.
- ! Urządzenie nie jest przeznaczone do użytkowania przez dzieci lub osoby o zmniejszonych możliwościach fizycznych czy umysłowych lub osoby bez odpowiedniej wiedzy i doświadczenia, chyba że użytkują one niniejsze urządzenie, znajdując się pod odpowiednią opieką lub jeżeli otrzymały odpowiednie wskazówki od osób, odpowiedzialnych za ich bezpieczeństwo.
- ! Urządzenie przeznaczone jest do użytkowania przez osoby dorosłe. Nie należy małym dzieciom pozwolić, aby bawiły się urządzeniem.
- ! Urządzenie przeznaczone jest do użytkowania przez osoby dorosłe. Nie należy pozwolić, aby dzieci bawiły się elementami sterującymi urządzenia czy też samym urządzeniem.
- ! Okapu nie należy stosować bez odpowiednio zamocowanej siatki filtra!
- ! Okapu NIGDY nie należy stosować jako elementu nośnego lub podpierającego, chyba że zostało to wyraźnie dozwolone.
- ! Jeżeli w pomieszczeniu, w którym zamocowany jest okap wyciągowy, używane są również przyrządy czy urządzenia, w których spala się gaz ziemny lub inne paliwo, pomieszczenie takie powinno być wyposażone w dobrą wentylację.
- ! System odprowadzania wycieków z urządzenia nie powinien być podłączony do istniejącego systemu wentylacyjnego, wykorzystywanego już do jakichś innych celów, na przykład do odprowadzania gazów, powstałych podczas spalania gazu lub innego rodzaju paliw.
- ! Flambowanie lub używanie otwartego ognia bezpośrednio pod okapem jest surowo zabronione.
- ! Używanie otwartego ognia uszkadza filtry i stwarza ryzyko powstania pożaru, dlatego należy unikać otwartego ognia.
- ! Podczas smażenia należy szczególnie uważać, aby olej się nie przegrzał i zapalił.
- ! Najbardziej narażone elementy okapu mogą się mocno nagrzać podczas działania płyty kuchennej, umieszczonej pod okapem.
- ! W związku z zaleceniami technicznymi jak i bezpieczeństwa, przy odprowadzaniu gazów ważne jest, aby konsekwentnie stosować się do przepisów, określonych przez właściwe instytucje lokalne.
- ! Okap wyciągowy należy regularnie czyścić, zarówno z zewnątrz jak i wewnątrz (PRZYNAJMNIJ RAZ NA MIESIĄC).
- ! Okap należy czyścić zgodnie ze wskazówkami dotyczącymi konserwacji, zawartymi w niniejszej instrukcji obsługi. Niezastosowanie się do zaleceń, podanych w niniejszej instrukcji obsługi, dotyczących czyszczenia okapu wyciągowego i filtrów, może doprowadzić do powstania pożaru.
- ! Urządzenia nie należy stosować czy też pozostawiać go bez odpowiednio zamontowanej żarówki, ponieważ stwarza to ryzyko porażenia prądem elektrycznym.
- ! Producent nie bierze na siebie jakiegokolwiek odpowiedzialności za usterki, szkody lub pożar urządzenia, powstałe na skutek niezastosowania się do zaleceń, zawartych w niniejszej instrukcji obsługi.
- ! Urządzenie oznakowano zgodnie z dyrektywą europejską 2002/96/WE w sprawie zużytego sprzętu elektrycznego i elektronicznego. Dbając o prawidłową utylizację tego produktu, zapobiega się powstawaniu szkodliwych dla otoczenia i zdrowia ludzi skutków, do których mogłoby doprowadzić nieodpowiednie usuwanie niniejszego produktu po zakończeniu jego eksploatacji.



Symbol na produkcie lub przynależnej do niego dokumentacji oznacza, że zużyty produkt nie należy traktować jako zwykłego odpadu komunalnego. Produkt należy przekazać do autoryzowanego punktu zbiórki i uzdatniania sprzętu elektrycznego i elektronicznego. Urządzenie należy usunąć zgodnie z lokalnymi przepisami o ochronie środowiska, odnoszącymi się do składowania odpadów.

W celu uzyskania dalszych i bardziej szczegółowych informacji, dotyczących prawidłowej utylizacji, zbierania i recyklingu niniejszego urządzenia, należy zwrócić się do właściwych organów władz lokalnych, lokalnego przedsiębiorstwa komunalnego lub do sklepu, gdzie zakupione zostało urządzenie.

Urządzenie zostało zaprojektowane, przetestowane i wykonane zgodnie z następującymi normami bądź przepisami:

- **Bezpieczeństwo:** EN/IEC 60335-1; EN/IEC 60335-2-31, EN/IEC 62233.
- **Efektywność działania:** EN/IEC 61591; ISO 5167-1; ISO 5167-3; ISO 5168; EN/IEC 60704-1; EN/IEC 60704-2-13; ISO 3741; EN 50564; IEC62301.
- **EMC (kompatybilność elektromagnetyczna):** EN 55014-1; CISPR 14-1; EN 55014-2; CISPR 14-2; EN/IEC 61000-3-2; EN/IEC 61000-3-3.

Zalecenia dotyczące prawidłowego użytkowania, zmniejszające wpływ na środowisko: WŁĄCZYĆ okap na najniższej prędkości, gdy rozpoczyna się gotowanie. Pozostawić go włączanego jeszcze przez kilka minut po zakończeniu gotowania. Prędkość bądź stopień działania należy podwyższyć jedynie w przypadku większej ilości dymu i pary, szczególnie intensywne działanie czy też wysoką prędkość należy stosować jedynie w skrajnych sytuacjach. Aby zachować wysoką efektywność usuwania nieprzyjemnych zapachów, należy w razie potrzeby wymienić filtry węglowe (bądź filtr węglowy). W razie potrzeby należy też oczyścić filtry tłuszczowe (bądź filtr tłuszczowy), w celu zachowania ich wysokiej efektywności działania. Stosować należy rury odprowadzające o największej średnicy, podanej w niniejszej instrukcji obsługi, efektywność będzie wówczas optymalna, a przy tym zachowany najniższy poziom hałasu.

Dodatkowe zalecenia dotyczące montażu:

Do montażu należy stosować jedynie śruby mocujące, załączone do urządzenia. Jeżeli śruby nie zostały załączone, należy kupić śruby odpowiedniego typu. Użyć należy śrub o odpowiedniej długości, zgodnie z danymi z instrukcji montażu.

W razie jakichkolwiek wątpliwości zalecamy skontaktować się z upoważnionym serwisem, działem pomocy użytkownikom lub inną specjalistycznie wyszkoloną osobą.

OSTRZEŻENIE! Jeśli śruby lub obudowa nie zostaną zamocowane zgodnie z niniejszą instrukcją obsługi, może spowodować to ryzyko porażenia prądem elektrycznym.

SPOSÓB UŻYTKOWANIA

Okap wyciągowy wykonany jest w taki sposób, że może być stosowany zarówno w wersji wyciągu albo pochłaniacza zapachów.



Wersja wyciągu

W tym przypadku dymy zostają odprowadzone na zewnątrz za pomocą specjalnej rury, przyłączonej za pomocą odpowiedniego kołnierza łączeniowego, znajdującego się w górnej części okapu.

Uwaga! Rura nie została załączona i należy ją kupić oddzielnie.

Średnica rury odprowadzającej powinna być równa średnicy kołnierza łączeniowego.

W poziomym odcinku rura powinna być nieco wygięta do góry (o około 10°), żeby ułatwić odprowadzenie powietrza z pomieszczenia na zewnątrz.

Uwaga! Jeżeli okap wyposażony jest w filtry węglowe, należy je usunąć.

Do połączenia okapu i otworu w ścianie do odprowadzania oparów bądź gazów należy zastosować rurę o średnicy jednakowej średnicy otworu wyjściowego w okapie (kołnierz łączeniowy).

Jeżeli średnica rury lub otworu w ścianie jest mniejsza, moc odsysania będzie niższa, a poziom hałasu w znaczący sposób się podwyższy.

W takich przypadkach producent uchyla się od jakiegokolwiek odpowiedzialności.

! Rura odprowadzająca powietrze powinna być jak najkrótsza.

! Montując rurę odprowadzającą powietrze należy zadbać, aby miała jak najmniej załamań. Największy dozwolony kąt załamania wynosi 90°.

! Unikać należy większych zmian przekroju rury odprowadzającej powietrze.

! Wewnętrzna powierzchnia rury odprowadzającej powietrze powinna być jak najgładsza.

! Rura odprowadzająca powietrze powinna być wykonana z materiałów posiadających odpowiednie certyfikaty.



Wersja pochłaniacza

Dla tej wersji potrzebny jest jeden filtr węglowy, który należy nabyć w sklepie z urządzeniami gospodarstwa domowego.

Filtr usuwa tłuszcze i zapachy z odsysanego powietrza, a następnie tak oczyszczone powietrze oddaje do pomieszczenia poprzez szczeliny wyjściowe w górnej części urządzenia.

MONTAŻ

Minimalna odległość powierzchnią nośną płyty kuchennej a najniższym elementem okapu nie powinna być mniejsza niż 55 cm w przypadku elektrycznych płyt kuchennych bądź 65 cm w przypadku gazowych lub kombinowanych płyt kuchennych.

Jeśli w instrukcji montażu gazowej płyty kuchennej podana jest większa odległość, należy to uwzględnić.



Przyłączenie do sieci elektrycznej

Parametry instalacji elektrycznej powinny odpowiadać danym technicznym podanym na tabliczce znamionowej, znajdującej się wewnątrz okapu. Jeżeli na przewodzie przyłączeniowym okapu znajduje się wtyczka, okap należy przyłączyć za pomocą wtyczki, odpowiadającej obowiązującym przepisom i umieszczonej w taki sposób, że po montażu jest ona łatwo dostępna. Jeśli przewód przyłączeniowy nie jest wyposażony we wtyczkę (bezpośrednie przyłączenie do sieci elektrycznej) lub jeżeli wtyczka po zakończonym montażu nie jest łatwo dostępna, należy zainstalować

dwubiegunowy wyłącznik, odpowiadający normom i zapewniający całkowite odcięcie urządzenia od sieci elektrycznej w warunkach przepięciowych klasy III, zgodnie z instrukcją montażu.

Ostrzeżenie! Zanim okap zostanie ponownie przyłączony do sieci elektrycznej i zostanie przetestowane jego działanie, zawsze należy sprawdzić, czy przewód przyłączeniowy został prawidłowo zamocowany.

Typ montażu

Urządzenie jest bardzo ciężkie. Przy przemieszczaniu okapu i przy jego montażu powinny uczestniczyć przynajmniej dwie osoby.

Przed rozpoczęciem montażu:

- Należy sprawdzić, czy zakupiony produkt jest odpowiedniej wielkości, biorąc pod uwagę wybrany obszar montażu.
- Usunąć należy filtry węglowe czy filtr węglowy (*), jeżeli są załączone (patrz: odnośny rozdział). Filtry węglowe (czy filtr węglowy) należy zamocować, jeżeli okap będzie używany jako pochłaniacz.
- Sprawdzić należy, czy wewnątrz okapu nie znajduje się jeszcze jakiś materiał lub inny przedmiot (który mógłby tam przedostać się podczas transportu, np. woreczek ze śrubami (*), karta gwarancyjna (*) itd.) i w razie potrzeby należy go usunąć.
- Jeśli jest to możliwe, należy odłączyć i przesunąć wolnostojącą kuchenkę bądź kuchenkę, którą można pociśnąć w wolną przestrzeń pomiędzy elementami kuchennymi, zapewniając sobie w ten sposób łatwiejszy dostęp do ściany za płytą kuchenną bądź do sufitu. Jeżeli nie jest to możliwe, płytę kuchenną bądź kuchenkę należy pokryć grubą matą ochronną, zabezpieczając przed uszkodzeniami i ciałami obcymi. Do składania elementów urządzenia należy wybrać równe podłoże. To podłoże należy pokryć matą ochronną, na której należy postawić wszystkie części składowe okapu wyciągowego oraz elementy do jego zamocowania.
- Ponadto należy sprawdzić, czy w pobliżu miejsca, gdzie zamierza się zamontować okap (miejsce, które będzie dostępne również po zakończeniu montażu okapu), jest dostępne gniazdko elektryczne oraz czy możliwe jest przyłączenie do instalacji, odprowadzającej opary na zewnątrz.
- Wykonać należy wszystkie potrzebne prace budowlane (np. montaż gniazdka elektrycznego i/ lub wykonanie otworu na rurę odprowadzającą).

W celu zamocowania okapu do większości rodzajów ścian lub sufitów, załączone zostały kolki rozporowe. Niezależnie od tego odpowiednio do tego wyszkolony specjalista powinien sprawdzić, czy materiały są odpowiednie do rodzaju bądź typu ściany/ sufitu. Ściana bądź sufit powinny być na tyle stabilne, aby wytrzymać ciężar okapu. Nie należy próbować zamontować urządzenia w ścianie czy też zabudować go za pomocą płytek, masy fugowej bądź tynku lub kitu silikonowego. Urządzenie przeznaczone jest tylko do montażu naściennego.

DZIAŁANIE

Wysoką prędkość odsysania należy stosować jedynie w przypadku wysokiej koncentracji oparów podczas gotowania. Zaleca się, aby okap włączyć na 5 minut przed rozpoczęciem gotowania, pozostawić go włączonego podczas gotowania oraz pozwolić, aby działał jeszcze przez około 15 minut po zakończeniu gotowania.

Sterowanie mechaniczne



⏻: W celu włączenia światła bądź oświetlenia na okapie, przycisnąć należy przycisk włączenia światła. W celu wyłączenia oświetlenia, ponownie należy przycisnąć ten przycisk.

⏮ Przcisnąć należy przycisk prędkości działania 1, uruchamiając silnik, który działał będzie z prędkością 1.

⏭ Przcisnąć należy przycisk prędkości działania 2, uruchamiając silnik, który działał będzie z prędkością 2.

⏯ Przcisnąć należy przycisk prędkości działania 3, uruchamiając silnik który działał będzie z prędkością 3.

○ W celu wyłączenia okapu, przycisnąć należy przycisk wyłączenia.

Sterowanie sensorowe (dotykowe)



Po przyłączeniu okapu wyciągowego do źródła zasilania energią elektryczną, będzie się on znajdował w stanie gotowości i tylko pole dotykowe włączenia/wyłączenia silnika oraz pole dotykowe włączenia/wyłączenia oświetlenia będą częściowo podświetlone. Pola dotykowe wyboru prędkości działania silnika od stopnia 1 do stopnia 3 nie będą podświetlone i nie będzie ich można użyć.

⏻ Przcisnąć należy pole dotykowe włączenia/wyłączenia, aby udostępnić wybór prędkości działania silnika. Po przyciśnięciu pola dotykowego włączenia/wyłączenia, przyciski wyboru prędkości działania silnika (od 1 do 3) zostaną podświetlone.

⏮ Przcisnąć należy pole dotykowe prędkości działania 1, uruchamiając silnik, który działał będzie z prędkością 1.

⏭ Przcisnąć należy pole dotykowe prędkości działania 2, uruchamiając silnik, który działał będzie z prędkością 2.

⏯ Przcisnąć należy pole dotykowe prędkości działania 3, uruchamiając silnik, który działał będzie z prędkością 3.

⏻: W celu włączenia światła bądź oświetlenia na okapie, przycisnąć należy pole dotykowe włączenia światła. W celu wyłączenia oświetlenia, ponownie należy przycisnąć to pole dotykowe.

KONSERWACJA

UWAGA! Przed jakimikolwiek pracami konserwacyjnymi lub ingerencją okap należy wyłączyć z sieci elektrycznej, wyłączając go przy przyłączy i usuwając bezpiecznik przyłącza.

Jeżeli urządzenie przyłączone jest do sieci elektrycznej za pomocą wtyczki, wówczas wtyczkę należy wysunąć z gniazdka.

Czyszczenie

Okap należy regularnie czyścić (przynajmniej tak samo często, jak czyszczony jest filtr tłuszczowy), zarówno z wewnętrznej jak i zewnętrznej strony. Czyścić należy, używając do tego ściereczki, nasączonej neutralnym środkiem czyszczącym. Nie stosować agresywnych czy ścierających środków czyszczących. **NIE STOSOWAĆ ALKOHOLU!**

OSTRZEŻENIE:

Dlatego zaleca się, aby stosować się do zaleceń. Producent uchyla się od jakiegokolwiek odpowiedzialności za uszkodzenia silnika lub szkodę, powstałą na skutek wybuchu pożaru, jeśli uszkodzenia te lub szkoda są skutkiem nieodpowiedniej konserwacji lub niezastosowania się do powyżej wymienionych zaleceń bezpieczeństwa.

Filtr tłuszczowy

Filtr tłuszczowy zatrzymuje cząstki tłuszczu.

Filtr tłuszczowy należy czyścić raz w miesiącu za pomocą delikatnych środków czyszczących, ręcznie lub w zmywarce do naczyń, ustawionej na krótki program i niską temperaturę. Jeżeli filtr jest myty w zmywarce do naczyń, może się odbarwić, co w żaden sposób nie wpływa na efektywność filtrowania.

Filtr tłuszczowy należy wysunąć, zwalniając uchwyt sprężynowy.

Filtr węglowy (tylko w wersji pochłaniacza)

Filtr węglowy pochłania nieprzyjemne zapachy, powstające podczas gotowania.

Po dłuższym użytkowaniu dochodzi do nasycenia się **filtra węglowego**. To, po jakim okresie czasu do tego dochodzi, zależy od sposobu gotowania i tego, jak często czyszczony jest filtr tłuszczowy.

W każdym przypadku wkład filtra węglowego należy wymieniać co cztery miesiące.

Filtra węglowego **NIE** wolno myć czy regenerować.

Obiegowy filtr węglowy

Umieścić należy po jednym z każdej strony jako pokrywę tak, by zabezpieczał on kratkę wentylatora, a następnie należy go obrócić w kierunku zgodnym z ruchem wskazówek zegara.

Chcąc go usunąć, należy go obrócić w kierunku przeciwnym do ruchu wskazówek zegara.

Wymiana żarówek

Okap jest wyposażony w system oświetlenia, bazujący na technologii LED.

Żarówki LED zapewniają optymalne oświetlenie, okres ich eksploatacji jest 10-krotnie dłuższy niż okres eksploatacji zwykłych żarówek, a równocześnie umożliwiają 90 % oszczędność energii elektrycznej.

W przypadku awarii systemu oświetlenia należy skontaktować się z serwisem technicznym.

É favor seguir escrupulosamente as instruções deste manual. O construtor não se responsabiliza por qualquer inconveniente, dano ou incêndio resultante do incumprimento das instruções que constam deste manual. O exaustor está previsto para aspirar os fumos e vapores de cozedura e é destinado exclusivamente para um uso doméstico.

O exaustor pode ter um aspeto diferente daquele que é representado nas ilustrações deste modo de utilização, no entanto as instruções para a utilização, a manutenção e a instalação permanecem idênticas.

- ! Conserve este manual para poder consultá-lo em qualquer momento. No caso de venda, de cessão ou de mudança de casa, é favor verificar que fica com o aparelho!
- ! Leia atentamente este manual: possui informações importantes sobre a instalação, a utilização e a segurança!
- ! Não efetue nenhuma modificação elétrica ou mecânica no aparelho ou na conduta de evacuação!
- ! Antes de instalar o aparelho, verifique se nenhum elemento está danificado. Se for o caso, contacte o seu revendedor e não proceda à instalação!

Nota: os elementos com um asterisco (*) são acessórios opcionais fornecidos apenas com alguns modelos ou peças não fornecidos que devem ser comprados à parte.



ADVERTÊNCIA

AVISO!

- ! Não ligue o aparelho ao circuito elétrico enquanto a instalação não está completamente terminada.
- ! Antes de qualquer operação de limpeza ou de manutenção, desligue o exaustor da fonte de alimentação elétrica retirando a ficha da tomada elétrica ou, no caso de ligação permanente, desarmando o disjuntor.
- ! Ponha luvas de proteção antes de efetuar qualquer operação de instalação e de manutenção.
- ! Este aparelho não está previsto para as crianças ou as pessoas com capacidades físicas, sensoriais ou mentais reduzidas ou sem experiência e de conhecimentos. Apenas poderão utilizá-lo sob a vigilância de um adulto responsável pela sua segurança e depois de a ter informado do seu funcionamento.
- ! O exaustor está previsto para os adultos. Vigie as crianças para que estas não brinquem com o aparelho ou com os seus comandos.
- ! Nunca coloque o exaustor em funcionamento se a grelha não estiver colocada corretamente no devido lugar.
- ! Não pose NENHUM objeto em cima do exaustor exceto se for expressamente autorizado.
- ! Quando o exaustor funciona ao mesmo tempo que outros aparelhos a gás ou outros combustíveis, a cozinha deve dispor de uma ventilação suficiente.
- ! O ar aspirado pelo exaustor nunca deve ser expulso pela conduta de evacuação dos fumos de combustão libertados por aparelhos que funcionam a gás ou outros combustíveis.
- ! É rigorosamente proibido flamejar os alimentos debaixo do exaustor.
- ! Evite deixar queimar uma chama nua debaixo do exaustor, pois isso pode danificar os filtros e provocar um incêndio.
- ! Vigie os fritos permanentemente, pois a gordura ou o óleo aquecido em excesso pode arder.
- ! As partes acessíveis do exaustor podem ficar bastantes quentes quando os aparelhos de cozedura estão em funcionamento.
- ! Relativamente às medidas técnicas de segurança para a evacuação dos fumos, respeite rigorosamente as regulamentações e normas em vigor no seu país.
- ! O exaustor deve ser regularmente limpo, tanto no interior como no exterior (PELO MENOS UMA VEZ POR MÊS), e isso respeitando as instruções de manutenção fornecidas neste manual. O incumprimento das instruções sobre a limpeza do exaustor assim como a substituição e a limpeza dos filtros pode provocar um risco de incêndio.
- ! Para evitar qualquer risco de choque elétrico, não utilize o exaustor se as lâmpadas não estiverem no devido lugar.
- ! Não nos responsabilizamos por qualquer disfunção, dano ou incêndio resultante do incumprimento das instruções deste manual.



Este símbolo aparece no produto ou na sua embalagem em aplicação da diretiva europeia 2002/96/CE sobre os Resíduos de Equipamento Elétrico e Eletrónico (REEE). Esta diretiva serve de regulamento quadro à retoma, reciclagem e valorização dos aparelhos usados em toda a Europa. Este produto deve estar sujeito a uma recolha seletiva. Quando já não o utilizar, entregue-o a um serviço de recolha especializado ou a um centro de tratamento de resíduos que trata dos REEE; contribuirá assim para evitar consequências nefastas para a saúde e o ambiente.

Para qualquer informação sobre a reciclagem deste produto, é favor contactar a câmara ou o serviço da limpeza da sua municipalidade, ou ainda a loja onde o comprou.

Este aparelho foi desenvolvido, testado e fabricado de acordo com as seguintes normas:

- **Segurança:** EN/IEC 60335-1; EN/IEC 60335-2-31, EN/IEC 62233.
- **Performances:** EN/IEC 61591; ISO 5167-1; ISO 5167-3; ISO 5168; EN/IEC 60704-1; EN/IEC 60704-2-13; ISO 3741; EN 50564; IEC 62301.
- **Compatibilidade eletromagnética:** EN 55014-1; CISPR 14-1; EN 55014-2; CISPR 14-2; EN/IEC 61000-3-2; EN/IEC 61000-3-3.

Sugestões para uma utilização correta de forma a reduzir o impacto sobre o ambiente : ponha o exaustor em FUNCIONAMENTO à velocidade mínima quando começa a cozinhar e deixe-a funcionar durante alguns minutos após o fim da cozedura. Aumente a velocidade apenas no caso de fumo e de vapor importantes e apenas utilize a função booster em situações extremas. Substitua o(s) filtro(s) de carvão quando é necessário para que os odores sejam eliminados. Limpe o(s) filtro(s) de gordura quando é necessário para manter a sua eficácia. Sobre a bainha de evacuação, escolha o diâmetro máximo indicado neste manual para otimizar a eficácia e minimizar o ruído.

Instruções suplementares para a instalação

Para a instalação, utilize apenas os parafusos de fixação fornecidos com o produto ou, se não for possível, compre parafusos apropriados. Devem ter o comprimento indicado no Guia de instalação.

No caso de dúvida, consulte o serviço pós-venda autorizado ou uma pessoa qualificada.

AVISO! Se os parafusos ou o dispositivo de fixação não estiverem instalados de acordo com estas instruções, pode provocar riscos elétricos.

UTILIZAÇÃO

O exaustor pode funcionar em modo evacuação ou em modo reciclagem.



Versão evacuação

Neste caso, os vapores de cozedura são expulsos para o exterior através de um tubo de evacuação que é fixo a um anel de ligação cilíndrico montado na parte superior do exaustor.

AVISO! O tubo de evacuação não é fornecido e deve ser comprado à parte. O seu diâmetro deve ser igual ao do anel de ligação cilíndrico. No seu percurso horizontal, o tubo deve ser ligeiramente inclinado para cima (cerca de 10°) de forma a expulsar o ar mais facilmente para o exterior.

AVISO! Se o exaustor estiver equipado de um filtro de carvão, será necessário retirá-lo.

O tubo de evacuação ligado ao exaustor e os orifícios perfurados nas paredes para a passagem do tubo devem ter o mesmo diâmetro que a saída de ar. Se eles tiverem um diâmetro inferior, irá provocar uma diminuição das performances de aspiração e um nítido aumento do ruído. Não nos responsabilizamos relativamente a este assunto.

- ! O tubo não deve ser mais comprido que o necessário.
- ! Os cotovelos do tubo devem ser os menos numerosos possíveis (ângulo máximo do cotovelo: 90°).
- ! Evite as variações excessivas da secção do tubo.
- ! Utilize um tubo mais liso possível na sua parte interna.
- ! O material do tubo deve estar conforme às normas em vigor.



Versão reciclagem

Convém utilizar um filtro de carvão ativo, disponível junto do seu revendedor habitual.

O ar aspirado será desengordurado e desodorizado antes de ser expulso para a peça através da grelha superior.

INSTALAÇÃO

O exaustor não deve ser instalado a menos de 50 cm acima de uma placa de cozedura elétrica e a menos de 65 cm de uma placa de gás ou mista.

Se o manual de utilização de um fogão ou de uma placa de cozedura a gás prevê uma distância superior, será necessário seguir estas recomendações.



Ligação elétrica

A tensão e a frequência da rede elétrica da sua habitação devem corresponder à tensão e à frequência indicadas na placa das características colocada no interior do aparelho. Se o exaustor tiver uma ficha elétrica, introduza firmemente a ficha numa tomada mural que deverá ser conforme às regulamentações e normas em vigor; esta ficha deve permanecer acessível após a instalação. Se o exaustor não estiver equipado de um cabo elétrico, ou se a ficha mural não estiver numa zona acessível após instalação, o aparelho deverá ficar ligado diretamente à rede elétrica; será então necessário, de acordo com as regras da arte, prever um disjuntor bipolar normalizado, capaz de separar completamente o aparelho do circuito elétrico no caso de sobretensão de categoria III.

AVISO: antes de voltar a ligar o exaustor à rede elétrica e de controlar o seu bom funcionamento, verifique sempre se o cabo de alimentação está corretamente instalado.

Instalação

O aparelho é muito pesado; é melhor prever pelo menos duas pessoas para manipulá-lo e instalá-lo.

Antes de iniciar a instalação:

- Verifique se o produto comprado tem as dimensões adequadas para ser instalado no lugar escolhido.
- Retire o(s) filtro(s) de carvão ativo (*) se estes forem fornecidos (ver igualmente o capítulo "Manutenção"). Terá de voltar a colocá-los no devido lugar se utilizar o exaustor em modo reciclagem.
- Verifique se não resta qualquer pequeno material no interior do exaustor (saquinho de parafusos (*), carta de garantia (*), etc. Se for o caso, retire-os e conserve-os.
- Retire se possível os móveis que enquadram o exaustor e se encontram por baixo do mesmo para aceder mais facilmente à parede ou ao teto onde está fixo. Se não for possível, proteja com uma tela espessa a placa de cozedura, o plano de trabalho e os móveis adjacentes para os proteger dos eventuais danos e sujidades. Escolha uma superfície plana para montar o aparelho. Cubra esta superfície com uma proteção, e depois coloque em cima o exaustor e todas as peças fornecidas.
- Verifique se existe, em proximidade do lugar destinado ao exaustor, uma tomada elétrica que permanecerá acessível quando o aparelho estiver instalado. Certifique-se igualmente que é possível ligar o exaustor a uma bainha de evacuação que dê para o exterior da habitação (apenas se quiser utilizar o aparelho em modo evacuação).
- Realize todos os trabalhos preparatórios (instalação de uma tomada elétrica, realização de um furo para a passagem do tubo de evacuação dos vapores).

O exaustor é entregue com cavilhas de expansão que permitem fixá-lo solidamente à maioria das paredes e tetos. No entanto recomenda-se que um técnico qualificado verifique se as cavilhas e os parafusos estão apropriados para a sua parede/teto. A parede ou o teto devem ser suficientemente sólidos para suportar o peso do exaustor. **Não coloque azulejos no exaustor nem junta de silicone ou outro material; deve apenas estar fixo à parede.**

FUNCIONAMENTO

Apenas utilize a potência de aspiração máxima no caso de concentração muito importante de vapores de cozedura. Recomenda-se de colocar o exaustor em funcionamento durante 5 minutos antes de iniciar a cozedura e de deixar funcionar durante 15 minutos após tê-la terminada.

Comandos mecânicos



☹️: Prima o botão Iluminação para ACENDER a luz. Prima novamente este botão para a APAGAR.

⚙️: Prima o botão Velocidade 1 para voltar a colocar em funcionamento o motor à velocidade 1.

⚙️: Prima o botão Velocidade 2 para voltar a colocar em funcionamento o motor à velocidade 2.

⚙️: Prima o botão Velocidade 3 para voltar a colocar em funcionamento o motor à velocidade 3.

○: Prima o botão Desligar para desligar o motor.

Teclas eletrônicas



Quando o exaustor está ligado à rede elétrica, está em modo stand-by e apenas as teclas Ligar/Desligar e Iluminação são semi-luminosas. As teclas das velocidades 1 a 3 não são retro-iluminadas e não pode selecioná-las.

⏻: Prima a tecla Ligar/Desligar para poder selecionar a velocidade do motor. Quando tocar a tecla Ligar/Desligar, as teclas das velocidades 1 a 3 são semi-luminosas.

⚙️: Prima a tecla Velocidade 1 para voltar a colocar em funcionamento o motor à velocidade 1.

⚙️: Prima a tecla Velocidade 2 para voltar a colocar em funcionamento o motor à velocidade 2.

⚙️: Prima a tecla Velocidade 3 para voltar a colocar em funcionamento o motor à velocidade 3.

☹️: Prima a tecla Iluminação para ACENDER a luz. Prima novamente esta tecla para a APAGAR.

MANUTENÇÃO

AVISO: antes de proceder a qualquer operação de limpeza ou de manutenção, desligue o aparelho da fonte de alimentação elétrica removendo a ficha da tomada elétrica ou, no caso de ligação permanente, desarmando o disjuntor, ou ainda retirando o fusível.

Limpeza

O exaustor deve ser limpo regularmente no interior e exterior (pelo menos à mesma frequência que os filtros de gordura). Utilize para tal uma esponja macia e um detergente líquido neutro. Evite qualquer produto abrasivo. **NÃO UTILIZE NENHUM ÁLCOOL!**

AVISO: se não respeitar as recomendações sobre a limpeza do exaustor e a substituição dos filtros, pode expor-se a um risco de incêndio.

O construtor não é responsável no caso de danos ao motor ou de incêndio resultante de uma manutenção negligente ou do incumprimento das instruções de segurança anteriormente mencionadas.

Filtro de gordura

Retém as partículas gordas provenientes da cozedura.

O **filtro de gordura** deve ser limpo uma vez por mês com um detergente não agressivo, à mão ou na máquina de lavar louça selecionando um programa curto em temperatura moderada. A limpeza na máquina de lavar louça pode descolorir o filtro de gordura, mas isso não altera em nada a sua eficácia.

Para retirar o filtro de gordura, puxe a pequena pega de mola.

Filtro de carvão ativo (versão reciclagem apenas)

Neutraliza os odores desagradáveis de cozedura.

O **filtro de carvão ativo** fica saturado após uma mais ou menos longa duração de utilização, em função do tipo de cozedura que praticar e da regularidade da limpeza do filtro de gordura.

Em todos os casos, é necessário substituir o cartucho pelo menos de 4 em 4 meses. O filtro de carvão não DEVE ser lavado ou regenerado.

Filtros de carvão circulares

Aplique um filtro de cada lado, nas duas grelhas protegendo as palas do ventilador, e depois rode-as no sentido dos ponteiros de um relógio.

Para as retirar, rode-as no sentido anti-horário.

Substituir lâmpadas

O exaustor está equipado de lâmpadas de LED.

Estas lâmpadas garantem uma ótima iluminação, duram dez vezes mais tempos que as lâmpadas tradicionais e permitem poupar 90% de eletricidade.

Em caso de mau funcionamento do sistema de iluminação, contactar a assistência técnica.

RO HOTĂ ASPIRANTĂ

Urmați îndeaproape instrucțiunile din acest manual. Nu se va asuma întreaga responsabilitate, pentru eventualele neplăceri, daune sau incendii cauzate de

nerespectarea instrucțiunilor din acest manual. Hota este concepută pentru aspirarea fumului și a aburului rezultat ca urmare a gătitului și este destinată numai uzului casnic.

Hota poate arăta diferit de cea ilustrată în desenele din această broșură. Instrucțiunile de utilizare, întreținere și instalare rămân însă aceleași.

! Este important să păstrați această broșură pentru a o putea consulta în orice moment. În cazul vânzării, cedării sau mutării, asigurați-vă că o furnizați împreună cu produsul.

! Citiți cu atenție instrucțiunile: există informații importante despre instalare, utilizare și siguranță.


! Nu efectuați modificări electrice sau mecanice pe produs sau pe conductele de descărcare.

! Înainte de a continua cu instalarea aparatului, verificați ca, componentele să nu fie deteriorate. În caz contrar, contactați dealerul și nu continuați cu instalarea.

Notă: elementele marcate cu simbolul „(*)” sunt accesorii opționale furnizate numai pentru anumite modele sau elemente care trebuie achiziționate, care nu sunt furnizate.



ATENȚIE AVERTIZARE

- ! Nu conectați aparatul la rețeaua electrică până când instalarea nu este finalizată complet.
 - ! Înainte de a efectua orice operațiune de curățare sau întreținere, deconectați hota de la rețeaua electrică prin scoaterea mufei sau deconectarea de la sursa de alimentare electrică.
 - ! Purtați întotdeauna mănuși de lucru pentru toate operațiunile de instalare și întreținere.
 - ! Aparatul nu poate fi utilizat de către copii sau persoane cu dezaabilități fizice, senzoriale sau mentale, sau dacă nu au experiență sau cunoștințe, decât dacă sunt sub supraveghere sau au fost instruite în utilizarea aparatului de către o persoană responsabilă pentru siguranța lor.
 - ! Acest aparat este conceput pentru a fi operat de adulți, copiii trebuie monitorizați pentru a vă asigura că nu se joacă cu aparatul.
 - ! Acest aparat este proiectat pentru a fi folosit de adulți. Copiii nu trebuie să li se permită să modifice elementele de comandă sau să se joace cu aparatul.
 - ! Nu folosiți niciodată hota fără ca grătarul să fie montat eficient!
 - ! Hota nu trebuie niciodată utilizată ca suprafață de sprijin, decât dacă se specifică clar acest lucru.
 - ! Spațiile în care este instalat aparatul trebuie să fie ventilate suficient, atunci când hota de bucătărie este utilizată împreună cu alt aparat de ardere pe bază de gaz sau alți combustibili.
 - ! Sistemul de conducte pentru acest aparat nu trebuie conectat la niciun sistem de ventilație existent care este utilizat în orice alt scop, cum ar fi evacuarea fumurilor din aparate care ard gaz sau alți combustibili.
 - ! Arderea alimentelor sub hotă în sine este strict interzisă.
 - ! Folosirea flăcărilor descoperite este în detrimentul filtrelor și poate provoca un risc de incendiu și, prin urmare, poate fi evitată în toate circumstanțele.
 - ! Orice prăjire trebuie făcută cu grijă pentru a vă asigura că uleiul nu se supraîncălzește și nu se aprinde.
 - ! Piesele accesibile ale hotei pot deveni fierbinți atunci când sunt utilizate cu aparatul de gătit.
 - ! În ceea ce privește măsurile tehnice și de siguranță care trebuie adoptate pentru evacuarea fumului, este important să respectați îndeaproape reglementările furnizate de autoritățile locale.
 - ! Hota trebuie curățată în mod regulat atât în interior, cât și în exterior (CEL PUȚIN O DATĂ PE LUNĂ).
 - ! Aceasta curățare trebuie efectuată în conformitate cu instrucțiunile de întreținere furnizate în acest manual). Nerespectarea instrucțiunilor furnizate în acest ghid de utilizare cu privire la curățarea hotei și a filtrelor va conduce la riscul de incendiu.
 - ! Nu folosiți și nu lăsați hota fără ca lampa să fie montată corect, întrucât exista riscul de șocuri electrice.
 - ! Nu ne vom asuma nicio responsabilitate pentru defecțiuni, avarii sau incendii cauzate aparatului ca urmare a nerespectării instrucțiunilor incluse în acest manual.
 - ! Acest aparat este marcat în conformitate cu directiva europeană 2002/96 / CE privind deșeurile de echipamente electrice și electronice (DEEE). Prin asigurarea că acest produs este eliminat în mod corect, veți ajuta la prevenirea consecințelor negative potențiale asupra mediului și sănătății umane, care ar putea fi cauzate în caz contrar prin manipularea necorespunzătoare a acestui produs.
-  Simbolul așigat pe produs sau documentele care însoțesc produsul indică faptul că acest aparat nu poate fi tratat ca deșeu menajer. În schimb, ar trebui dus la punctul de colectare corespunzător pentru reciclarea echipamentelor electrice și electronice. Eliminarea trebuie să fie efectuată în conformitate cu reglementările privind mediul la nivel local pentru eliminarea deșeurilor.
- Pentru informații suplimentare detaliate despre procesul, colectarea și reciclarea acestui produs, vă rugăm să contactați departamentul corespunzător

al autorităților locale sau departamentul local pentru deșeurile menajere sau magazinul de unde ați achiziționat acest produs.

Aparatul a fost proiectat, testat și fabricat conform:

- Siguranță: EN/IEC 60335-1; EN/IEC 60335-2-31, EN/IEC 62233.
- Performanță: EN/IEC 61591; ISO 5167-1; ISO 5167-3; ISO 5168; EN/IEC 60704-1; EN/IEC 60704-2-13; ISO 3741; EN 50564; IEC 62301.
- EMC: EN 55014-1; CISPR 14-1; EN 55014-2; CISPR 14-2; EN/IEC 61000-3-2; EN/IEC 61000-3-3.

Sugestii pentru o utilizare corectă pentru a reduce impactul asupra mediului: Porniți hota la viteză minimă când începeți să gătiți și păstrați-o în funcțiune câteva minute după ce ați terminat de gătit. Măriți viteza numai în cazul unei cantități mari de fum și vapori și folosiți viteză (vitezele) mare numai în situații extreme. Înlocuiți filtrele de cărbune atunci când este necesar pentru a menține o eficiență bună a reducerii mirosurilor. Curățați filtrul (filtrele) de grăsime când este necesar pentru a menține o eficiență bună a filtrului la grăsime. Utilizați sistemului de conducte cu diametrul maxim indicat în acest manual pentru a optimiza eficiența și a reduce la zgomotul la minim.

Specificații suplimentare privind instalarea:

Folosiți numai șuruburile de fixare furnizate împreună cu produsul pentru instalare sau, dacă nu sunt furnizate, achiziționați tipul de șuruburi corect.

Folosiți lungimea corectă pentru șuruburi astfel cum este menționată în Ghidul de instalare.

În cazul în care aveți dubii, consultați un centru de asistență autorizat sau o persoană calificată similar.

AVERTISMENT! Dacă șuruburile sau dispozitivul de fixare nu sunt instalate în conformitate cu aceste instrucțiuni pot apărea riscuri electrice.

UTILIZARE

Hota este proiectată pentru a fi utilizată fie pentru evacuare, fie pentru versiunea de filtru.



Versiunea de conducte

În acest caz, fumul este transportat în afara clădirii cu ajutorul unei conducte speciale conectate cu inelul de conectare aflat în partea superioară a hotei.

Atenție! Conducta de evacuare nu este inclusă și trebuie achiziționată separat.

Diametrul conductei de evacuare trebuie să fie egal cu cel al inelului de conectare.

Pe traseele orizontale, conducta de evacuare trebuie să fie ușor înclinată (aproximativ 10 °) și direcționată în sus pentru a evacua ușor aerul din cameră în exterior.

Atenție! Dacă hota este furnizată cu filtru de cărbune activ, atunci acesta trebuie scos.

Conectați hota și orificiile de evacuare de pe pereți cu un diametru echivalent cu orificiul de evacuare a aerului (flanșa de conectare).

Utilizarea conductelor și a orificiilor de descărcare pe pereți cu dimensiuni mai mici va determina o diminuare a performanței de aspirare și o creștere drastică a zgomotului.

Prin urmare, orice responsabilitate în materie este respinsă.

! Folosiți o conductă cu lungimea minimă necesară.

! Folosiți o conductă cu cât mai puține coturi (unghiul maxim al cotului: 90°).

! Evitați modificările drastice ale secțiunii transversale a conductelor.

! Folosiți o conductă cât mai netedă în interior.

! Conducta trebuie să fie fabricată din material certificat.



Versiunea de filtrului

Pentru acest lucru este nevoie de un filtru de cărbune activ și poate fi obținut de la vânzătorul dvs. obișnuit.

Filtrul elimină grăsimea și mirosurile din aerul extras înainte de a-l trimite înapoi în cameră prin grila de evacuare superioară.

INSTALAREA

Distanța minimă dintre suprafața de susținere a echipamentului de gătit de la plită și partea inferioară a hotei trebuie să fie

să nu fie sub 55cm de aragazuri electrice și 65cm de aragazurile cu gaz sau mixte.

Dacă instrucțiunile de instalare pentru plita cu gaz specifică o distanță mai mare, aceasta trebuie respectată.



Conexiune electrică

Sursa de alimentare cu energie electrică trebuie să corespundă valorii indicate pe placa situată în interiorul hotei. Dacă este prevăzută cu un ștecher, conectați hota la o priză în conformitate cu reglementările actuale și poziționați-o într-o zonă accesibilă, după instalare. Dacă nu este prevăzută cu un ștecher (conexiune directă la rețeaua de alimentare) sau dacă ștecherul nu este situat într-o zonă accesibilă, după instalare, aplicați un întrerupător cu doi poli în conformitate cu standardele care asigură deconectarea completă a rețelei în condiții legate de supraalimentare. categoria III actuală, în conformitate cu instrucțiunile de instalare.

Avertisment! Înainte de a reconecta circuitul hotei la sursa de alimentare și de a verifica eficiența funcției, verificați întotdeauna dacă cablul de alimentare

Montarea

Produs foarte greu; manevrarea și montarea hotei trebuie să fie efectuată de cel puțin două persoane.

Înainte de a începe instalarea:

- Verificați dacă produsul achiziționat este adecvat ca dimensiune pentru zona de instalare aleasă.
- Scoateți filtrul de cărbune (*) dacă este furnizat (a se vedea, de asemenea, paragraful aferent. Acesta se montează numai dacă doriți să utilizați hota în versiunea de filtrare.
- Verificați (din motive de transport) dacă nu există niciun alt material furnizat în interiorul hotei (de exemplu, pachete cu șuruburi (*), garanții (*), etc.), în cele din urmă scoaterea și păstrarea lor.
- Dacă este posibil, deconectați și deplasați raza de sine stătătoare sau variabilă de la deschiderea dulapului pentru a oferi un acces mai ușor la peretele / tavanul din spate. În caz contrar, puneți un înveliș gros și de protecție peste blat, pilită pentru a le proteja de deteriorare și depuneri. Selectați o suprafață plană pentru asamblarea unității. Acoperiți suprafața respectivă cu un înveliș de protecție și așezați toate piesele coronamentului hotei și hardware-ul în ea.
- În plus, verificați dacă în apropierea zonei de instalare a hotei (în zona accesibilă și cu capota montată) este disponibilă o priză electrică și dacă puteți să conectați un dispozitiv de evacuare a fumului la exterior (numai versiunea pentru aspirație).
- Efectuați toate lucrările de zidărie necesare (de exemplu, instalarea unei prize electrice și / sau a unui orificiu pentru trecerea tubului de descărcare).

Șuruburile de perete de expansiune sunt prevăzute pentru a asigura hota pentru majoritatea tipurilor de pereți / tavane. Cu toate acestea, un tehnician calificat trebuie să verifice adecvarea materialelor în conformitate cu tipul de perete / tavan. Peretele / tavanul trebuie să fie suficient de puternic pentru a susține greutatea hotei. Nu folosiți faianță, chit sau silicon pentru a monta acest aparat pe perete. Numai pe zona de montare pe suprafață.

OPERAREA

Utilizați viteza mare de aspirație în cazurile de vapori concentrați din bucătărie. Se recomandă ca aspirația hotei aragazului să fie pornită cu 5 minute înainte de a găti și să se lase în funcțiune în timpul gătitului și încă 15 minute aproximativ după ce ați terminat de gătit.



☺: Apăsați pe butonul Light pentru a porni lumina. Apăsați din nou pentru a stinge lumina.

☺☺: Apăsați pe butonul Speed 1 pentru a porni motorul cu viteza 1.

☺☺☺: Apăsați pe butonul Speed 2 pentru a porni motorul cu viteza 2.

☺☺☺☺: Apăsați pe butonul Speed 3 pentru a porni motorul cu viteza 3.

○ Apăsați butonul Oprit pentru a opri motorul.

Comenzi digitale



Când hota este conectată la sursa de alimentare, aceasta va fi în regim de așteptare și numai butonul On / Off și butonul Light vor fi semi-iluminate. Butoanele de la viteze de la 1-3 nu sunt iluminate și nu este posibil să fie selectate.

☺ Apăsați pe butonul On / Off pentru a începe selectarea turățiilor motorului. Când este selectat butonul On / Off, viteza 1-3 este semi-iluminată.

☺☺ Apăsați pe butonul Speed 1 pentru a porni motorul cu viteza 1.

☺☺☺ Apăsați pe butonul Speed 2 pentru a porni motorul cu viteza 2.

☺☺☺☺ Apăsați pe butonul Speed 3 pentru a porni motorul cu viteza 3.

☺☺☺☺☺ Apăsați pe butonul Light pentru a porni lumina. Apăsați din nou pentru a stinge lumina.

INTREȚINEREA

ATENȚIE! Înainte de a efectua orice operațiune de întreținere, izolați hota de la sursa de alimentare electrică oprind conectorul și îndepărtând siguranța conectorului.

Sau dacă aparatul a fost conectat cu o priză și un ștecher, atunci mufa trebuie scoasă din priză.

Curățarea

Hota de aragaz trebuie curățată regulat (cel puțin cu aceeași frecvență cu care efectuați întreținerea filtrelor de grăsime) intern și extern. Curățați folosind cârpa umezită cu detergent lichid neutru. Nu folosiți produse abrazive. **NU FOLOSIȚI ALCOOL! AVERTISMENT:** Nerespectarea recomandărilor de bază de curățare a aragazului și înlocuirea filtrelor poate provoca riscuri de incendiu.

Prin urmare, vă recomandăm să respectați aceste instrucțiuni.

Producătorul declină orice responsabilitate pentru orice avarie a motorului sau pentru orice avarie provocată de incendiu dacă întreținerea nu este efectuată corespunzător sau dacă

nu se respectă recomandările de siguranță de mai sus.

Filtru de grăsime

Capcane atunci când se gătește cu particule de grăsime.

Filtrul de grăsime trebuie curățat o dată pe lună folosind detergenți neagresivi, fie manual, fie în mașina de spălat vase, care trebuie setată la temperaturi scăzute și ciclu scurt. Când este spălat într-o mașină de spălat vase, filtrul de grăsime se poate decolora ușor, dar acest lucru nu afectează capacitatea de filtrare.

Pentru a scoate filtrul de grăsime, trageți de mânerul de eliberare a arcului.

Filtru de cărbune (numai versiunea filtrului)

Absoarbe mirosuri neplăcute cauzate de gătit.

Saturația filtrului de cărbune are loc după utilizarea mai mult sau mai puțin prelungită, în funcție de tipul de gătit și de regularitatea curățării filtrului de grăsime.

În orice caz, este necesar să înlocuiți cartușul cel puțin la fiecare patru luni.

Filtrul de cărbune NU poate fi spălat sau regenerat.

Filtru circular de carbon

Aplicați unul pe fiecare parte ca și capac pentru ambele grile de protecție ale rotorului de motor, apoi rotiți spre dreapta.

Pentru demontare, rotiți spre stânga.

Înlocuirea lămpilor

Hota este echipată cu un sistem de iluminat bazat pe tehnologia LED.

LED-urile garantează o iluminare optimă, o durată de până la 10 ori mai lungă decât lămpile tradiționale și permit economisirea energiei electrice în proporție de 90%. În caz de defectare a sistemului de iluminat contactați serviciul de asistență tehnică.

Точно следуйте указаниям инструкции по эксплуатации! Производитель не несет ответственность за неисправности, ущерб и возгорание прибора, возникшие вследствие несоблюдения указаний данной инструкции. Прибор предназначен для использования в домашних условиях для отвода дыма и испарений, образующихся при приготовлении.

Прибор может отличаться по дизайну от прибора, приведенного на рисунках в инструкции. При этом следуйте указаниям по эксплуатации, техническому обслуживанию и монтажу, приведенным в инструкции.

- ! Держите инструкцию вблизи от прибора. Обязательно сохраните инструкцию и другую прилагаемую документацию. При передаче прибора новому владельцу не забудьте передать также эти документы.
- ! Внимательно прочитайте инструкцию, так как она содержит важную информацию по монтажу, эксплуатации и безопасному использованию прибора.
- ! Запрещается вносить любые изменения в конструкцию, электрическую схему и систему отвода отработанного воздуха данного прибора.
- ! Перед монтажом проверьте прибор на предмет повреждений. Если прибор поврежден, не устанавливайте его и обратитесь в магазин, в котором вы приобрели прибор.

Примечание. Принадлежности, отмеченные звездочкой «(*)», входят в комплект оборудования только некоторых моделей. При желании принадлежности можно приобрести отдельно.



ВНИМАНИЕ! ПРЕДУПРЕЖДЕНИЕ!

- ! Не подключайте прибор к электросети, пока монтаж полностью не завершен.
- ! Перед очисткой и обслуживанием отключите вытяжку от электросети, вынув вилку присоединительного кабеля из розетки или выключив предохранитель.
- ! При выполнении работ по монтажу и обслуживанию надевайте защитные перчатки.
- ! Использование прибора детьми и людьми с ограниченными физическими, двигательными и психическими способностями, а также людьми, не имеющими достаточного опыта или знаний для его использования, допускается только под присмотром или руководством лиц, ответственных за их безопасность.
- ! Прибор предназначен для использования взрослыми. Не позволяйте детям играть с прибором.
- ! Прибор предназначен для использования взрослыми. Не позволяйте детям играть с элементами управления и самим прибором.
- ! Не используйте прибор, если решетка неправильно установлена!
- ! КАТЕГОРИЧЕСКИ запрещается использовать вытяжку в качестве опорной плоскости, если это не оговаривается отдельно.
- ! Обеспечьте достаточную вентиляцию помещения, где кроме вытяжки установлены приборы, работающие на газе или другом топливе.
- ! Нельзя отводить воздух из вытяжки через вентиляционные каналы приборов, работающих на газе или другом топливе.
- ! Категорически запрещается готовить на открытом огне и фламбировать под вытяжкой.
- ! Использование открытого огня может привести к повреждению или возгоранию фильтров, поэтому избегайте этого при любых обстоятельствах.
- ! Запрещается жарить пищу без присмотра, так как масло может перегреться и воспламениться.
- ! Во время работы варочного прибора, размещенного под вытяжкой, доступные части вытяжки могут сильно нагреваться.
- ! Строго соблюдайте технические предписания и указания по безопасности местных уполномоченных органов в области отвода отработанного воздуха.
- ! Регулярно очищайте внутренние и внешние поверхности прибора (НЕ РЕЖЕ ОДНОГО РАЗА В МЕСЯЦ).
- ! Указания по очистке приведены в соответствующем разделе данной инструкции. Несоблюдение указаний по очистке прибора, а также очистке и замене фильтров может стать причиной возгорания.
- ! Запрещается использовать и оставлять вытяжку с неправильно установленными лампочками, так как это может привести к удару электрическим током.
- ! Производитель не несет ответственность за неисправности, ущерб и возгорание прибора, возникшие вследствие несоблюдения указаний данной инструкции.
- ! Данный прибор маркирован в соответствии с Европейской директивой 2002/96/EC по обращению с отходами от электрического и электронного оборудования. Соблюдая правила утилизации изделия, вы можете предотвратить причинение ущерба окружающей среде и здоровью людей, который возможен вследствие неподобающего обращения с подобными отходами.



Символ на изделии или в сопроводительных документах указывает, что оно не подлежит утилизации в качестве бытовых отходов. Изделие следует сдать в соответствующий пункт приема электронного и электрооборудования для последующей утилизации.

- За более подробной информацией об утилизации изделия просьба обращаться к местным властям, в службу по вывозу и утилизации отходов или в магазин, в котором вы приобрели изделие.

Прибор разработан, испытан и произведен в соответствии со следующими стандартами и регламентами:

- **безопасность:** EN/IEC 60335-1; EN/IEC 60335-2-31, EN/IEC 62233,
- **эффективность работы:** EN/IEC 61591; ISO 5167-1; ISO 5167-3; ISO 5168; EN/IEC 60704-1; EN/IEC 60704-2-13; ISO 3741; EN 50564; IEC 62301,
- **электромагнитная совместимость:** EN 55014-1; CISPR 14-1; EN 55014-2; CISPR 14-2; EN/IEC 61000-3-2; EN/IEC 61000-3-3.

Рекомендации по эксплуатации для уменьшения воздействия на окружающую среду

ВКЛЮЧАЙТЕ вытяжку в начале приготовления на минимальной скорости. Оставьте вытяжку работать несколько минут после завершения приготовления. Увеличивайте скорость работы, только если увеличивается интенсивность испарений. Используйте турборежим или самую высокую скорость только при необходимости. Вовремя меняйте угольные фильтры (угольный фильтр) для эффективного удаления неприятных запахов. Регулярно очищайте жировые фильтры (жировой фильтр) для поддержания их эффективной работы. Используйте вытяжные шланги с наибольшим допустимым диаметром, приведенным в данной инструкции: это обеспечит максимально эффективную работу вытяжки при минимальном уровне шума.

Дополнительные указания по установке

Для монтажа используйте винты, поставляемые в комплекте. Если винты не входят в комплект поставки, приобретите винты соответствующего типа.

Длина винтов должна соответствовать параметрам, указанным в разделе УСТАНОВКА.

Если у вас возникли сомнения, обратитесь к авторизованному сервисному специалисту.

ПРЕДУПРЕЖДЕНИЕ! Использование винтов и крепежных деталей, не соответствующих требованиям данной инструкции, может привести к удару электрическим током.

ИСПОЛЬЗОВАНИЕ

Вытяжка может работать в режиме отвода воздуха или в режиме рециркуляции.



Работа в режиме отвода воздуха

В режиме отвода загрязненный воздух отводится из помещения через специальный вытяжной шланг, который крепится к отверстию воздуховода в верхней части вытяжки.

Внимание! Вытяжной шланг не входит в комплект поставки и приобретается отдельно.

Диаметр шланга должен соответствовать диаметру отверстия воздуховода.

При горизонтальной прокладке укладывайте шланг с уклоном вверх 10°, чтобы обеспечить беспрепятственный отвод отработанного воздуха.

Внимание! Снимите угольный фильтр, если он установлен.

При подсоединении вытяжки к отверстию в стене диаметр вытяжного шланга должен соответствовать диаметру отверстия воздуховода на вытяжке.

Малый диаметр вытяжного шланга и отверстия в стене снижают эффективность отвода воздуха и значительно повышают уровень шума.

В этом случае производитель не несет ответственность.

- ! Важно, чтобы проложенный вытяжной шланг не был слишком длинным.
- ! Прокладывайте вытяжной шланг с наименьшим количеством изгибов. Максимальный угол изгиба 90°.
- ! Старайтесь менять диаметр вытяжного шланга незначительно.
- ! Внутренняя поверхность вытяжного шланга должна быть максимально гладкая.
- ! Вытяжной шланг должен быть изготовлен из сертифицированных материалов.



Работа в режиме рециркуляции

В режиме рециркуляции должен быть установлен угольный фильтр, который можно приобрести в магазине или сервисном центре.

Фильтр задерживает частички жира и запахи и возвращает очищенный воздух в помещение через верхнюю решетку.

УСТАНОВКА

Минимальное расстояние между нижним краем вытяжки и:

- электрической варочной поверхностью — 55 сантиметров,
- газовой/комбинированной варочной поверхностью — 65 сантиметров.

Если в инструкции по установке газовой плиты/панели указано большее расстояние, принимайте его во внимание.



Подключение к электросети

Перед подключением проверьте, совпадают ли данные, указанные в заводской табличке внутри прибора, с фактическими параметрами электросети. Если присоединительный кабель вытяжки оборудован вилкой, вставьте вилку в розетку, установленную в соответствии с действующими правилами и расположенную в доступном месте. Если присоединительный кабель вытяжки не оборудован вилкой или розетка расположена в недоступном месте, подключите прибор к двухполюсному выключателю, обеспечивающему полное размыкание сети при возникновении перенапряжения категории III, в соответствии с инструкциями по установке.

Предупреждение! Перед подключением вытяжки к электросети и проверкой исправной работы убедитесь, что присоединительный кабель правильно подключен.

Монтаж

Вытяжка тяжелая, поэтому переносить и производить ее монтаж должно не менее двух человек.

Перед началом монтажа:

- Проверьте, подходит ли изделие по размерам к выбранному месту для монтажа.
- Снимите угольные фильтры (угольный фильтр) (*), если вытяжка ими комплектуется (см. соответствующий раздел). Устанавливайте угольные фильтры (угольный фильтр), если используете вытяжку в режиме рециркуляции.
- Проверьте, нет ли внутри вытяжки предметов, которые могли туда попасть при транспортировке, например, пакет с винтами (*), гарантийный лист (*), и при наличии выньте их.
- При возможности отключите от электросети и отодвиньте плиту или извлеките варочную панель из столешницы, чтобы обеспечить свободный доступ к стене или потолку в области монтажа. Если это невозможно, накройте плиту или варочную панель толстым материалом для защиты от повреждений. Сборку вытяжки производите на ровной поверхности. Накройте поверхность защитным материалом и разложите детали вытяжки и крепежные детали.
- Проверьте, имеются ли в области монтажа вытяжки розетка, к которой будет обеспечен свободный доступ после завершения монтажа, и подключение к каналу для отвода отработанного воздуха.
- Выполните необходимые строительные-монтажные работы (установка розетки, устройство отверстия для выводящего шланга).

Для крепления вытяжки к различным типам стен и потолка прилагаются дюбели. Перед монтажом квалифицированный специалист должен проверить соответствие поверхности стены или потолка. Стена или потолок должны быть прочными, чтобы выдержать вес прибора. Не крепите вытяжку на стену с помощью жидких гвоздей, силикона и т. п. Прибор предназначен только для накладного монтажа.

РАБОТА

Включайте высокую скорость при наличии высокой концентрации дыма и запаха в кухне. Рекомендуется включать вытяжку за 5 минут до начала приготовления, оставлять ее работающей во время готовки и около 15 минут после окончания приготовления.

Механическое управление



⦿: Нажмите на кнопку, чтобы включить освещение. Чтобы выключить освещение, снова нажмите кнопку.

⦿: Кнопка включения 1 скорости мотора.

⦿: Кнопка включения 2 скорости мотора.

⦿: Кнопка включения 3 скорости мотора.

○: Нажмите на кнопку, чтобы выключить мотор.

Сенсорное управление



После подключения к электросети вытяжка находится в режиме ожидания, сенсоры ВКЛ./ВЫКЛ. мотора и ВКЛ./ВЫКЛ. освещения слабо подсвечены. Сенсоры выбора скорости мотора от 1 до 3 не подсвечиваются, их нельзя активировать.

⦿: Нажмите сенсор ВКЛ./ВЫКЛ. мотора, чтобы активировать мотор. После этого слабо загорятся сенсоры выбора скорости (от 1 до 3).

⦿: Сенсор включения 1 скорости мотора.

⦿: Сенсор включения 2 скорости мотора.

⦿: Сенсор включения 3 скорости мотора.

⦿: Нажмите на сенсор, чтобы включить освещение. Чтобы выключить освещение, снова нажмите сенсор.

ОБСЛУЖИВАНИЕ

ВНИМАНИЕ! Перед очисткой и любыми другими работами убедитесь, что присоединительный кабель прибора отключен от электропитания или выключен общий выключатель электросети.

Если прибор подключен к электросети через розетку, выньте из нее вилку присоединительного кабеля.

Очистка

Регулярно очищайте внутренние и внешние поверхности прибора (не реже, чем жировые фильтры). Для очистки используйте ткань, смоченную нейтральным жидким чистящим средством. Запрещается использовать абразивные чистящие средства. **ЗАПРЕЩАЕТСЯ ИСПОЛЬЗОВАТЬ СПИРТ!**

ПРЕДУПРЕЖДЕНИЕ! Несоблюдение правил очистки прибора и замены фильтров может привести к возгоранию, поэтому рекомендуется соблюдать приведенные указания.

Производитель не несет ответственность за возможные неисправности мотора и возгорание вследствие неправильного ремонта или несоблюдения приведенных указаний.

Жировой фильтр

Жировой фильтр задерживает частички жира.

Очищайте **жировой фильтр** один раз в месяц неагрессивным моющим средством вручную или в посудомоечной машине на быстрой программе при низкой температуре. При мытье в посудомоечной машине цвет фильтра может измениться, но это не влияет на функциональность фильтра.

Для извлечения жирового фильтра потяните его ручку вниз.

Угольный фильтр (для работы в режиме рециркуляции)

Угольный фильтр поглощает неприятные запахи, образующиеся при приготовлении.

Срок службы и степень загрязнения **угольного фильтра** зависят от интенсивности ежедневного приготовления и частоты очистки жирового фильтра.

В любом случае картридж угольного фильтра необходимо менять каждые четыре месяца.

Угольный фильтр **НЕЛЬЗЯ** мыть и регенерировать.

Угольный фильтр

Установите фильтр с каждой стороны, как крышку, для защиты решетки мотора и поверните по часовой стрелке.

Чтобы снять фильтр, поверните его против часовой стрелки.

Замена лампочек

Вытяжка оборудована современными светодиодными лампочками, которые обеспечивают оптимальное освещение, служат в 10 раз дольше по сравнению с обычными лампочками и экономят до 90% электроэнергии.

В случае неисправности системы освещения обратитесь в сервисный центр.

SK ODSÁVAČ PARY

Starostlivo dodržiavajte pokyny uvedené v tomto návode. Odmietame zodpovednosť za akékoľvek prípadné neprijemnosti, škody alebo požiar spôsobené nedodržaním pokynov v tomto návode. Odsávač je koncipovaný na odsávanie výparov a pary z varenia a je určený len na domáce použitie.

Skutočný odsávač pary sa môže odlišovať od digestorov zobrazených v tomto návode, avšak pokyny ohľadom obsluhy, údržby a montáže sa tým nijako nemenia.

- ! Tento návod si uschovajte, aby ste ho v prípade potreby mali kedykoľvek po ruke. V prípade predaja zariadenia alebo jeho presťahovania sa uistite, že ste k odsávaču pary priballili tento návod na obsluhu.
- ! Pozorne si prečítajte pokyny: ide o dôležité informácie o inštalácii, použití a bezpečnosti.
- ! Na odsávači pary ani na odsávacích potrubíach nevykonávajte žiadne mechanické ani elektrické zmeny.
- ! Pred začatím inštalácie spotrebiča sa uistite, či nie je poškodený žiaden z jeho komponentov. V opačnom prípade sa obráťte na predajcu a nevykonávajte inštaláciu.

Poznámka: prvky označené symbolom „(*)“ sú voliteľné príslušenstvo dodávané len s niektorými modelmi alebo sú to prvky na zakúpenie, ktoré nie sú dodávané.



UPOZORNENIA

POZOR!

! Nepripájajte spotrebič k elektrickej sieti pred ukončením montáže.

! Pred akýmkoľvek čistením alebo údržbou odpojte odsávač pary od zdroja elektrickej energie vyťahnutím zástrčky z elektrickej zásuvky alebo vypnutím hlavného vypínača.

! Všetky montážne úkony a činnosti súvisiace s údržbou vykonávajte v ochranných rukaviciach.

! Tento spotrebič môžu používať deti a osoby s obmedzenými fyzickými, zmyslovými alebo mentálnymi schopnosťami alebo bez dostatočných skúseností a vedomostí, pokiaľ sú pod dozorom alebo boli poučené osobou zodpovednou za ich bezpečnosť a porozumeli prípadným rizikám.

! Tento spotrebič je navrhnutý na používanie dospelými osobami. Deti by mali byť pod dozorom, aby sa zabezpečilo, že sa nebudú hrať zo zariadením.

! Tento spotrebič je navrhnutý na používanie dospelými osobami. Deti nesmú manipulovať s ovládacími prvkami ani sa hrať so spotrebičom.

! Nikdy nepoužívajte digestor bez správne namontovaných mriežok!

! Odsávač NIKDY nesmie byť použitý ako nosná plocha, pokiaľ to nie je výslovne uvedené.

! Priestory, kde bude digestor používaný spoločne s prístrojmi spaľujúcimi plyn alebo iné palivo musia byť správne vetrané.

! Systém potrubia pre tento spotrebič nesmie byť pripojený k žiadnemu existujúcemu ventilačnému systému, ktorý je používaný na akýkoľvek iný účel, ako je vypúšťanie výparov zo spotrebičov, ktoré spaľujú plyn alebo iné palivá.

! Je prísne zakázané pripravovať pod odsávačom pary jedlo na otvorenom ohni (flambovanie).

! Otvorený oheň je nebezpečný pre filtre a spôsobuje riziko požiaru, preto ho nie je možné použiť v žiadnom prípade.

! Pri vyprázaní zaobchádzajte opatrne s olejom, aby nedošlo k jeho prehriatiu a samovznieteniu.

! Exponované súčasti zariadenia sa môžu výrazne zahriať, ak budú používané spoločne s náradím určeným na varenie.

! V oblasti technických prostriedkov zaručujúcich bezpečný odvod spalin vždy dodržiavajte predpisy vydané miestnymi úradmi.

! Kuchynský odsávač pary je potrebné čistiť zvonku aj zvnútra (ASPOŇ RAZ ZA MESIAC), pričom je potrebné dodržať pokyny ohľadom údržby, uvedené v tomto návode. Nedodržaním pokynov ohľadom čistenia odsávača pary a čistenia či výmeny filtrov sa vystavujete riziku vzniku požiaru.

! Aby ste sa vyhli nebezpečenstvu zasiahnutia elektrickým prúdom, nepoužívajte a nenechávajte odsávač pary bez správne namontovaných žiaroviek.

! Výrobca nenesie žiadnu zodpovednosť za prípadné škody alebo požiar spôsobené spotrebičom a vyplývajúce z nedodržania pokynov uvedených v tomto návode na obsluhu.

! Tento spotrebič je označený podľa európskej smernice 2002/19/ES o likvidácii elektrických a elektronických zariadení (WEEE). Zabezpečením správnej likvidácie tohto výrobku, pomôžete zabrániť možným negatívnym vplyvom na životné prostredie a ľudské zdravie, ktoré by inak mohli byť spôsobené nesprávnou likvidáciou tohto výrobku.



Symbol na výrobku alebo na sprievodnej dokumentácii znamená, že s týmto spotrebičom nesmie byť zaobchádzané ako s komunálnym odpadom. Namiesto toho, by mal byť umiestnený na príslušnom zbernom mieste pre recykláciu elektrických a elektronických zariadení. Likvidácia musí byť vykonaná v súlade s miestnymi environmentálnymi predpismi pre likvidáciu odpadu.

Podrobnejšie informácie týkajúce sa postupu, zberu a recyklácie tohto výrobku, získate na príslušnom oddelení miestnych úradov alebo na miestnom oddelení pre domový odpad alebo v predajni, kde ste si tento výrobok zakúpili.

Spotrebič je vyvinutý, testovaný a vyrobený podľa:

- **Bezpečnosť:** EN/IEC 60335-1; EN/IEC 60335-2-31, EN/IEC 62233.
- **Výkon:** EN/IEC 61591; ISO 5167-1; ISO 5167-3; ISO 5168; EN/IEC 60704-1; EN/IEC 60704-2-13; ISO 3741; EN 50564; IEC 62301.
- **EMC:** EN 55014-1; CISPR 14-1; EN 55014-2; CISPR 14-2; EN/IEC 61000-3-2; EN/IEC 61000-3-3.

Návrhy na správne použitie s cieľom znížiť vplyv na životné prostredie: Keď začnete varenie, zapnite odsávač na minimálnu rýchlosť a nechajte ho bežať niekoľko minút po dokončení varenia. Zvýšte rýchlosť len v prípade veľkého množstva dymu a výparov a najvyššiu rýchlosť používajte len mimoriadnych situáciách. Ak je to potrebné, vymeňte filter(e) s aktívnym uhlím, aby ste zaistili dobrú účinnosť odstraňovania zápachov. V prípade potreby vyčistíte tukový filter(e), aby ste zaistili dobrú účinnosť tukového filtra. Použite maximálny priemer systému potrubia uvedený v tomto návode, na optimalizáciu účinnosti a minimalizovanie hluku.

Doplňujúce pokyny k inštalácii:

Na inštaláciu používajte iba upevňovacie skrutky dodávané s výrobkom, alebo ak nie sú súčasťou dodávky, zakúpte si správny typ skrutiek. Použite správnu dĺžku skrutiek, takú aká je uvedená v Inštaláčnej príručke.

V prípade pochybnosti sa obráťte na autorizované servisné stredisko alebo osobu s príslušnou kvalifikáciou.

VAROVANIE! Ak skrutky alebo upevňovacie prostriedky nie sú nainštalované v súlade s týmito pokynmi, môže dôjsť k úrazu elektrickým prúdom.

POUŽITIE

Odsávač je navrhnutý tak, aby bol použitý buď na odťah do komína alebo recirkuláciu.



Odťah do komína

V tomto prípade sú výpary odvádzané mimo budovy pomocou špeciálneho potrubia pripojeného so spájacím krúžkom umiestneným v hornej časti odsávača.

Pozor! Odsávacie potrubie nie je dodávané so spotrebičom, je potrebné ho dokúpiť samostatne.

Priemer odsávacieho potrubia sa musí zhodovať s priemerom spájacieho krúžku.

Vo vodorovnej časti musí byť potrubie ľahké stúpanie (približne 10°), aby bolo uľahčené prúdenie vzduchu smerom von.

Pozor! Ak je odsávač pary vybavený uhlíkovými filterami, je potrebné ich odobrať.

Pripojte odsávač a výpustné otvory na stene s priemerom zodpovedajúcim výstupu vzduchu (pripojovacia príruka).

Pri použití menšieho priemeru dôjde ku zníženiu nasávacej schopnosti a drastickému zvýšeniu hlučnosti odsávača pary.

Výrobca v tomto prípade nenesie za vzniknutý stav akúkoľvek zodpovednosť.

! Použite potrubie s minimálnou nevyhnutnou dĺžkou.

! Používajte potrubie s čo najmenším počtom ohybov (maximálny uhol ohybu: 90°).

! Vyhýbajte sa drastickým zmenám v priereze potrubia.

! Používajte potrubie s maximálne hladkým vnútorným povrchom.

! Materiál potrubia musí zodpovedať platným normám.



Recirkulácia

Ac chcete používať odsávač pary týmto spôsobom, je potrebné nainštalovať uhlíkový filter. Ten si môžete zakúpiť od predajcu. Nasatý vzduch je čistený od tukov a zápachov a potom je vrátený do miestnosti mriežkou v hornom kryte komína.

INŠTALÁCIA

Minimálna vzdialenosť medzi plochou, na ktorej sa nachádza nádoba na varnom paneli/platni a najnižším bodom kuchynského odsávača

pary nesmie byť menší ako 55 cm pri elektrických sporákov a 65 cm v prípade plynových alebo kombinovaných sporákov.

Pokiaľ je v návode na inštaláciu plynového sporáku uvedená väčšia vzdialenosť, je potrebné dodržať túto vzdialenosť.



Elektrické pripojenie

Napätie v elektrickej sieti musí zodpovedať napätiu uvedenému na výrobnom štítku, ktorý nájdete vo vnútornej časti odsávača pary. Ak je spotrebič vybavený zástrčkou, po inštalácii pripojte odsávač k elektrickej zásuvke v súlade s platnými predpismi a umiestnením na dostupnom mieste. Ak nie je vybavený zástrčkou (priem sieťové pripojenie) alebo ak sa zástrčka nenachádza na prístupnom mieste, po inštalácii použite dvojpólový spínač v súlade s normami, ktorý zabezpečí úplné odpojenie od elektrickej siete v podmienkach týkajúcich sa prúdového preťaženia kategórie III, v súlade s inštaláčnymi pokynmi.

Varovanie! Pred opätovným pripojením okruhu odsávača k elektrickej sieti a kontrolou funkcie účinnosti, vždy skontrolujte či je správne pripojený napájací kábel.

Montáž

Výrobok má nadmernú hmotnosť, preto je potrebné, aby odsávač pár prenášali a inštalovali najmenej dve osoby.

Pred začatím inštalácie:

- Skontrolujte, či je zakúpený výrobok vhodnej veľkosti pre zvolené miesto inštalácie.
- Vyberte filter s aktívnym uhlím, ak je súčasťou dodávky. Tento/tieto je/sú namontované len vtedy, ak chcete používať odsávač vo verzii recirkulácie.
- Skontrolujte (z dôvodu prepravy), či sa v odsávači nenachádza žiaden iný dodávaný materiál (napr. balíček so skrutkami, návod na obsluhu, atď.), popri prípade ho vyberte a odložte na bezpečné miesto.
- Pokiaľ je to možné, odpojte a odstráňte nábytok nachádzajúci sa pod alebo okolo priestoru inštalácie za účelom získania lepšieho prístupu k stene/stropu, na ktorý má byť odsávač nainštalovaný.
Ďalej je potrebné zakryť hrubou ochrannou fóliou kuchynskú linku, varnú dosku alebo drez. Tak aby boli chránené pred poškodením a úlomkami. Na zostavenie jednotky si vyberte rovnú plochu. Zakryte tento povrch ochrannou fóliou a položte na ňu odsávač a všetky súčasti príslušenstva.
- Okrem toho skontrolujte, či je v blízkosti inštalačného priestoru odsávača pár (v priestore prístupnom aj po montáži odsávača) dostupná elektrická zásuvka a či bude možné vykonať pripojenie zariadenia na odvádzanie výparov smerom von (platí len pre verziu s odsávaním).
- Vykonajte všetky potrebné murárske práce (napr. inštaláciu elektrickej zásuvky a / alebo realizáciu otvoru na prechod odsávacej rúry).

Rozpínanie hmoždinky sú určené na zaistenie odsávača vo väčšine typov stien/stropov. Avšak kvalifikovaný technik musí overiť vhodnosť materiálov podľa typu steny/stropu. Stena/strop musí byť dostatočne silný na to, aby uniesol váhu odsávača. **Neobkladajte, nešpárujte ani nelepte tento spotrebič k stene silikónom. Používajte len povrchovú montáž.**

PREVÁDZKA

Ak je vzduch v kuchyni veľmi znečistený, nastavte odsávanie na najvyššiu rýchlosť. Odporúčame zapnúť odsávač pary 5 minút pred začiatkom varenia a nechať ho zapnutý ešte asi 15 minút po ukončení varenia.

Mechanické ovládacie prvky



⦿: Stlačením tlačidla Osvetlenie, ZAPNETE svetlo. Opätovným stlačením, svetlo VYPNETE.

⚡ Stlačením tlačidla Rýchlosť 1 spustíte motor rýchlosťou 1.

⚡ Stlačením tlačidla Rýchlosť 2 spustíte motor rýchlosťou 2.

⚡ Stlačením tlačidla Rýchlosť 3 spustíte motor rýchlosťou 3.

○ Stlačením tlačidla VYPNÚŤ, motor vypnete.

Dotykové ovládacie prvky



Odsávač pár bude po pripojení k elektrickej sieti v pohotovostnom režime a len čiastočne budú podsvietené tlačidlá Zapnúť / Vypnúť a tlačidlo Osvetlenia. Tlačidlá Rýchlostí 1-3 nebudú podsvietené a nebudú sa dať ani zvoliť.

⦿ Stlačte tlačidlo Zapnúť / Vypnúť a môžete začať voliť rýchlosti. Ak je zvolené tlačidlo Zapnúť / Vypnúť, sú tlačidlá Rýchlostí 1-3 čiastočne podsvietené.

⚡ Stlačením tlačidla Rýchlosť 1 spustíte motor rýchlosťou 1.

⚡ Stlačením tlačidla Rýchlosť 2 spustíte motor rýchlosťou 2.

⚡ Stlačením tlačidla Rýchlosť 3 spustíte motor rýchlosťou 3.

⦿ Stlačením tlačidla Osvetlenie, ZAPNETE svetlo. Opätovným stlačením, svetlo VYPNETE.

ÚDRŽBA

POZOR! Pred akýmkoľvek čistením alebo údržbou odpojte spotrebič od zdroja elektrickej energie vytiahnutím zástrčky z elektrickej zásuvky alebo vypnutím hlavného vypínača.

Albo ak bol spotrebič pripojený pomocou zástrčky a zásuvky, musí sa zástrčka vytiahnuť zo zásuvky.

Čistenie

Odsávač pary je potrebné pravidelne čistiť zvonku aj zvnútra (aspoň tak často ako čistenie tukových filtrov) pomocou handričky napustenej jemným čistiacim prostriedkom. Nepoužívajte drsné prostriedky. **NEPOUŽÍVAJTE ALKOHOL!**

POZOR: Nedodržaním pokynov ohľadom čistenia spotrebiča sa vystavujete riziku vzniku požiaru. Preto odporúčame uvedené pokyny dôsledne dodržiavať.

Výrobca nenesie žiadnu zodpovednosť za prípadné poškodenie motora alebo požiar, ktorý vznikli v dôsledku nedodržania zásad údržby a vyššie uvedených pokynov.

Tukový filter

Filter zadržiava častice tuku pochádzajúce z varenia.

Tento filter je potrebné čistiť aspoň raz za mesiac pomocou neagresívneho čistiaceho prostriedku, ručne alebo v umývačke riadu na nízkej teplote a na krátky čistiaci cyklus. Počas umývania v umývačke riadu sa môže kovový tukový filter odfarbiť, čo však nemá vplyv na jeho charakteristické filtračné vlastnosti.

Pre vybratie tukového filtra zatiahnite za odpruženú páčku.

Uhlíkový filter (len pri verzii s recirkuláciou)

Tento filter absorbuje neprijemné zápachy, ktoré vznikajú pri varení.

K nasýteniu filtra s aktívnym uhlím dochádza po viacnásobnom alebo dlhodobom používaní, v závislosti od typu varenia a pravidelnosti čistenia tukového filtra.

V každom prípade je potrebné vymeniť náplň najmenej každé štyri mesiace.

Filter s aktívnym uhlím sa NESMIE umývať ani regenerovať.

Kruhový uhlíkový filter

Na každú stranu nasadte jeden filter na zakrytie oboch ochranných mriežok obežného kolesa motora a potom otočte v smere hodinových ručičiek. Pri demontáži otočte proti smeru hodinových ručičiek.

Výmena žiarovky

Odsávač pár je vybavený osvetľovacím systémom založeným na LED technológii.

LED diódy zaručujú optimálne osvetlenie, vydržia až 10-násobne dlhšie ako tradičné žiarovky a umožňujú ušetriť 90% elektrickej energie.

V prípade poruchy osvetľovacieho systému kontaktujte technickú službu.

SL KUHINJSKA NAPA

Dosledno upoštevajte navodila iz tega priročnika. Proizvajalec zavrača vso odgovornost za morebitne nevarnosti, škodo ali požare, do katerih bi prišlo zaradi neupoštevanja navodil v tem priročniku. Napa je namenjena odsesavanju dimov in pare, ki nastanejo med kuhanjem, in je namenjena samo domači uporabi oz. uporabi v gospodinjstvu.

Videz nape se lahko razlikuje od risb v tej knjižici. Ne glede na to pa navodila za uporabo, vzdrževanje in namestitvev ostanejo nespremenjena.

- ! Shranite ta priročnik, da lahko navodila v njem kadar koli ponovno preberete. Če aparat prodate, podarite ali preselite, poskrbite, da mu bo vedno priložen tudi uporabniški priročnik.
- ! Pozorno preberite navodila, saj vsebujejo pomembne informacije glede namestitve, uporabe in varnosti.
- ! Ne opravljajte električnih ali mehanskih posegov oz. prilagoditev na aparatu ali na odvodnih ceveh oz. vodih.
- ! Pred namestitvijo aparata preverite, ali so vse komponente nepoškodovane. Če odkrijete, da je kakšen sestavni del poškodovan, pokličite svojega trgovca in ne namestite aparata.

Opomba: Elementi, označeni s simbolom "(*)", so dodatni pripomočki, ki so priloženi le nekaterim modelom ali pa so na voljo kot dodatna oprema in niso priloženi aparatu.



POZOR! OPOZORILO!

- ! Ne priključite aparata na električno omrežje, dokler ni namestitvev povsem končana.
- ! Pred čiščenjem ali vzdrževanjem kuhinjske nape jo izklopite iz električnega omrežja, tako da izvlečete vtičač iz vtičnice ali izklopite glavno varovalko.
- ! Med vsemi namestitvenimi ali vzdrževalnimi deli vedno nosite zaščitne rokavice.
- ! Aparat ni namenjen uporabi s strani otrok ali oseb z zmanjšanimi fizičnimi, senzoričnimi ali umskimi zmogljivostmi ali oseb s pomanjkanjem izkušenj ali znanja, razen če aparat uporabljajo pod ustreznim nadzorom ali po navodilih oseb, ki so zadolžene za njihovo varnost.
- ! Aparat je namenjen uporabi s strani odraslih. Ne dovolite majhnim otrokom, da bi se igrali z aparatom.
- ! Aparat je namenjen uporabi s strani odraslih. Ne dovolite otrokom, da se igrajo z upravljalnimi elementi aparata ali s samim aparatom.
- ! Nikoli ne uporabljajte nape brez ustrezno nameščene rešetke!
- ! Nape NIKOLI ne uporabljajte kot nosilno ali podporno površino, razen če je to izrecno dovoljeno.
- ! Če v prostoru, v katerem je nameščena kuhinjska napa, uporabljate tudi naprave ali aparate, v katerih izgoreva zemeljski plin ali drugo gorivo, mora imeti tak prostor zadostno prezračevanje.
- ! Sistem za odvajanje hlapov iz tega aparata ne sme biti priključen na obstoječ prezračevalni sistem, ki se že uporablja za kak drug namen, na primer za odvajanje plinov, ki nastanejo pri izgorevanju plina ali drugih goriv.
- ! Flambiranje oz. uporaba odprtega ognja neposredno pod napo je strogo prepovedano.
- ! Uporaba odprtega ognja poškoduje filtre in lahko povzroči tveganje požara, zato se ji v vseh okoliščinah izognite.
- ! Pri cvrtju bodite posebej pozorni, da se olje ne pregreje in vname.
- ! Dostopni deli nape se lahko med delovanjem kahalnega aparata, nameščenega pod napo, močno segrejejo.
- ! Glede tehničnih in varnostnih ukrepov za odvajanje hlapov je pomembno, da dosledno upoštevate predpise, ki jih opredeljujejo lokalno pristojni organi.
- ! Napo je treba redno čistiti tako z notranje kot zunanje strani (VSAJ ENKRAT MESEČNO).
- ! Napo čistite v skladu z navodili za vzdrževanje v tem priročniku. Če ne upoštevate navodil iz tega priročnika glede čiščenja nape in filtrov, lahko nastane tveganje požara.
- ! Ne uporabljajte nape oz. ne puščajte nape brez ustrezno nameščene žarnice, saj sicer nastane tveganje električnega udara.
- ! Proizvajalec zavrača vsako odgovornost za napake, škodo ali požare, ki nastanejo na aparatu zaradi neupoštevanja navodil iz tega priročnika.
- ! Aparat je označen v skladu z Evropsko direktivo 2002/96/ES o Odpadni električni in elektronski opremi. S skrbjo za pravilno odstranitev tega proizvoda prispevate k preprečevanju škodljivih posledic za okolje ter zdrave ljudi, ki bi jih sicer lahko povzročilo neustrezno ravnanje s tem proizvodom po koncu njegove življenjske dobe.



Simbol na izdelku ali na pripadajoči dokumentaciji označuje, da z aparatom ne smete ravnati kot z gospodinjiskim odpadkom, temveč da ga je treba dostaviti na ustrezno zbirališče za recikliranje električnih in elektronskih naprav. Aparat odložite v skladu z lokalnimi okoljskimi predpisi za odlaganje odpadkov.

Za nadaljnje podrobne informacije glede predelave, zbiranja in recikliranja tega proizvoda se, prosimo, obrnite na pristojni oddelek pri ustreznem lokalnem organu, na lokalno službo za ravnanje z gospodinjiskimi odpadki ali na trgovino, v kateri ste kupili ta proizvod.

Aparat je načrtovan, preskušen in izdelan v skladu z naslednjimi standardi oz. predpisi:

- **Varnost:** EN/IEC 60335-1; EN/IEC 60335-2-31, EN/IEC 62233.
- **Učinkovitost delovanja:** EN/IEC 61591; ISO 5167-1; ISO 5167-3; ISO 5168; EN/IEC 60704-1; EN/IEC 60704-2-13; ISO 3741; EN 50564; IEC 62301.
- **EMC (elektromagnetna združljivost):** EN 55014-1; CISPR 14-1; EN 55014-2; CISPR 14-2; EN/IEC 61000-3-2; EN/IEC 61000-3-3.

Priporočila za pravilno uporabo, da bi zmanjšali vpliv na okolje: VKLOPITE napo pri minimalni hitrosti, ko začnete s kuhanjem. Pustite jo delovati še nekaj minut po tem, ko zaključite s kuhanjem. Hitrost oz. stopnjo delovanja povečajte le v primeru večje količine dima in pare, posebej močno delovanje oz. visoke hitrosti pa uporabljajte le v skrajnih primerih. Po potrebi zamenjajte oglene filtre (oz. ogleni filter), da ohranite visoko učinkovitost odstranjevanja neprijetnih vonjav. Po potrebi očistite filtre za maščobo (oz. maščobni filter), da ohranite dobro učinkovitost le-teh. Uporabite odvodne cevi z največjim premerom, navedenim v tem priročniku, saj bo tako učinkovitost optimalna, hrup pa minimalen.

Dodatne specifikacije glede namestitve:

Pri namestitvi uporabite le vijake za pritrditev, ki so priloženi aparatu. Če vijaki niso priloženi, kupite vijake ustreznega tipa.

Uporabite ustrezno dolge vijake, v skladu s podatki v Navodilih za namestitve.

Če ste v dvomu, se posvetujte s pooblaščenim servisierjem, centrom za pomoč uporabnikom ali drugo ustrezno usposobljeno osebo.

OPOZORILO! Če vijakov ali okovja za pritrditev ne namestite v skladu s temi navodili, lahko nastane nevarnost električnega udara.

UPORABA

Napa je izdelana tako, da se lahko uporablja bodisi v odzračevalni bodisi v filtrirni izvedbi.



Odzračevalna različica

V tem primeru se dimi odvajajo na prosto preko posebne cevi, priključene s priključno prirobnico, ki se nahaja na zgornjem delu nape.

Pozor! Odvodna cev ni priložena in jo je treba kupiti posebej.

Premer odvodne cevi naj bo enak premeru priključne prirobnice.

V vodoravnem odseku mora biti cev rahlo nagnjena navzgor (za približno 10°), da je odvajanje zraka iz prostora na prosto lažje.

Pozor! Če je napa opremljena z oglenimi filtri, je le-te treba odstraniti.

Za povezavo med napo in odprtino v steni za odvajanje hlapov oz. plinov uporabite cev s premerom, ki je enak premeru izhodne odprtine na napo (priključna prirobnica).

Če je premer cevi ali odprtine v steni manjši, bo moč odsesavanja nižja, hrup pa se bo znatno povečal.

V takšnih primerih proizvajalec zavrača vsako odgovornost.

- ! Cev za odvod zraka naj bo čim krajša.
- ! Pri napeljevanju cevi za odvod zraka poskrbite, da bo čim manj pregibov. Največji dovoljen kot pregiba znaša 90°.
- ! Izogibajte se večjim spremembam preseka cevi za odvod zraka.
- ! Notranja površina cevi za odvod zraka naj bo čim bolj gladka.
- ! Cev za odvod zraka mora biti izdelana iz materiala z ustreznimi certifikati.



Filtrirna različica

Za to različico potrebujete en ogleni filter, ki ga dobite v trgovini z gospodinjstvenimi aparati.

Filter odstranjuje maščobe in vonjave iz odsesanega zraka, nato pa se tako očiščen zrak vrne v prostor skozi izhodne reže na zgornji strani aparata.

NAMESTITEV

Minimalna razdalja med nosilno površino kuhališča ter najnižjim delom nape ne sme biti manjša od 55 cm v primeru električnih kuhališč oz. 65 cm v primeru plinskih ali kombiniranih kuhališč.

Če je v navodilih za namestitve plinskega kuhališča navedena večja razdalja, upoštevajte to.



Priklp na električno omrežje

Električna napeljava mora ustrezati specifikacijam na napisni tablici, ki se nahaja v notranjosti nape. Če je na priključni vrvi nape nameščen vtičač, napo priključite preko vtičnice, ki ustreza veljavnim predpisom in ki je nameščena tako, da je po namestitvi lahko dostopna. Če priključna vrstica ni opremljena z vtičačem (neposreden priklp na električno omrežje) ali če vtičnica po končani namestitvi ni lahko dostopna, je treba namestiti dvopolno stikalo v skladu s standardi, ki zagotavlja popoln odklop aparata od električnega omrežja v pogojih prenapetostnega razreda III, v skladu z navodili za namestitve.

Opozorilo! Preden napo ponovno priključite na električno omrežje in preverite njeno delovanje, se vedno prepričajte, da je priključna vrstica pravilno nameščena.

Tip namestitve

Aparat je zelo težek. Pri ravnanju z napo in njeni namestitvi naj sodelujeta vsaj dve osebi.

Pred začetkom namestitve:

- Preverite, ali je kupljeni proizvod ustrezne velikosti glede na izbrano področje namestitve.
- Odstranite oglene filtre oz. ogljeni filter (*), če so ti priloženi (glejte zadevni odstavek). Oglene filtre (oz. ogljeni filter) namestite le, če napo uporabljate v filtrirni izvedbi.
- Preverite, ali je morda v notranjosti nape še kakšen material ali drugi predmeti (ki bi tja padli med transportom, npr. zavojčki z vijaki (*), garancijski listi (*) itd.) ter jih po potrebi odstranite.
- Če je možno, odklopite in umaknite prosto stoječi štedilnik oz. štedilnik, ki ga lahko potisnete v nišo med kuhinjskimi elementi, da zagotovite lažji dostop do stene za kuhališčem oz. do stropa. Če to ni možno, položite čez kuhališče ali štedilnik debelo zaščitno prevleko, da ga zaščitite pred poškodbami in tujki. Za sestavo aparata izberite ravno podlago. To podlago prekrijte z zaščitno prevleko, na katero postavite vse dele kuhinjske nape ter dele za njeno pritrditve.
- Poleg tega preverite, ali je v bližini mesta, kamor nameravate namestiti napo (na mestu, ki bo dostopno tudi po končani namestitvi nape), na voljo električna vtičnica ter če je možen priklop na napeljavo, ki bo hlape odvajala na prosto.
- Opravite vsa potrebna gradbena dela (npr. namestitev električne vtičnice in/ali odprtine za odvodno cev).

Za pritrditve nape na večino vrst sten ali stropov so priloženi zidni vložki. Ne glede na to pa mora ustrezno usposobljen strokovnjak preveriti primernost materialov glede na vrsto oz. tip stene/stropa. Stena oz. stop morata biti dovolj trdna, da preneseta težo nape. Ne poskušajte pritrditi tega aparata na steno oz. ga vgraditi s ploščicami, fugirno maso oz. ometom ali silikonskim kitom. Aparat je namenjen le površinski montaži.

DELOVANJE

Visoko hitrost vsesavanja uporabite le v primeru visoke koncentracije hlapov med kuhanjem. Priporočamo, da napo vklopite 5 minut pred začetkom kuhanja, da jo pustite delovati med kuhanjem ter da jo pustite delovati še približno 15 minut po koncu kuhanja.

Mehansko upravljanje



⏻ Pritisnite tipko za vklop luči, da vklopite luč oz. osvetlitev. Za izklop osvetlitve ponovno pritisnite to tipko.

⚙️ Pritisnite tipko 1. hitrost za vklop motorja, ki bo deloval s 1. hitrostjo.

⚙️ Pritisnite tipko 2. hitrost za vklop motorja, ki bo deloval z 2. hitrostjo.

⚙️ Pritisnite tipko 3. hitrost za vklop motorja, ki bo deloval s 3. hitrostjo.

⏻ Pritisnite tipko za izklop, da izklopite motor.

Upravljanje na dotik



Ko napo priklopite na vir električne energije, bo ta v stanju pripravljenosti in samo senzorska tipka za vklop/izklop motorja ter senzorska tipka za vklop/izklop luči bosta delno osvetljeni. Senzorske tipke za izbiro hitrosti delovanja motorja od 1 do 3 ne bodo osvetljene in jih ne bo mogoče izbrati.

⏻ Pritisnite senzorsko tipko za vklop/izklop, da omogočite izbiro hitrosti delovanja motorja. Ko pritisnete senzorsko tipko za vklop/izklop, se senzorske tipke za izbiro hitrosti delovanja motorja (od 1 do 3) delno osvetlijo.

⚙️ Pritisnite senzorsko tipko 1. hitrost za vklop motorja, ki bo deloval s 1. hitrostjo.

⚙️ Pritisnite senzorsko tipko 2. hitrost za vklop motorja, ki bo deloval z 2. hitrostjo.

⚙️ Pritisnite senzorsko tipko 3. hitrost za vklop motorja, ki bo deloval s 3. hitrostjo.

⏻ Pritisnite senzorsko tipko za vklop luči, da vklopite luč oz. osvetlitev. Za izklop osvetlitve ponovno pritisnite to tipko.

VZDRŽEVANJE

POZOR! Pred kakršnim koli vzdrževalnim delom ali posegom izklopite napo iz električnega omrežja, tako da jo izklopite pri priključku in odstranite varovalko priključka.

Če je aparat priključen na električno omrežje preko vtičnice, izvlecite vtičak iz vtičnice.

Čiščenje

Napo je treba redno čistiti (vsaj enako pogosto kot čistite maščobni filter), tako z notranje kot z zunanje strani. Čistite s krpo, navlaženo z nevtralnimi čistilnimi sredstvom. Ne uporabljajte grobih oz. abrazivnih čistil. **NE UPORABLJAJTE ALKOHOLA!** OPOZORILO:

Zato priporočamo, da upoštevate ta navodila.

Proizvajalec zavrača vsako odgovornost za poškodbe motorja ali škodo, ki bi nastala zaradi požara, če so take poškodbe ali taka škoda posledica neustreznega vzdrževanja ali neupoštevanja zgoraj navedenih varnostnih priporočil.

Maščobni filter

Maščobni filter prestra maščobne delce.

Maščobni filter je treba čistiti enkrat mesečno z neagresivnimi detergenti, bodisi ročno bodisi v pomivalnem stroju s kratkim programom pri nizki temperaturi. Če filter pomivate v pomivalnem stroju, se lahko filter nekoliko razbarva, kar pa ne vpliva na učinkovitost filtriranja.

Maščobni filter odstranite tako, da povlečete za vzmetno ročico.

Ogleni filter (samo pri filtrirni različici)

Ogleni filter vpija neprijetne vonjave, ki nastajajo med kuhanjem.

Po daljši uporabi pride do nasičenja **oglenega filtra**. Kako hitro se to zgodi, je odvisno od načina kuhanja in pogostosti čiščenja maščobnega filtra.

V vsakem primeru je treba kartušo oglenega filtra zamenjati vsake štiri mesece.

Oglenega filtra NI dovoljeno pomivati ali regenerirati.

Obtočni karbonski filter

Namestite po enega na vsako stran kot pokov, tako da štiti rešetko ventilatorja, nato pa ga obrnite v smeri urnega kazalca.

Če ga želite odstraniti, ga obrnite v nasprotni smeri urnega kazalca.

Menjava žarnic

Napa je opremljena s sistemom za osvetlitev, ki temelji na tehnologiji LED.

Žarnice LED zagotavljajo optimalno osvetljenost, njihova življenjska doba je 10-krat daljša od življenjske dobe običajnih žarnic, hkrati pa omogočajo 90 % prihranka električne energije. V primeru napake pri delovanju osvetlitve pokličite tehnično službo oz. servis.

SR, BIH, MNE KUHINJSKI ASPIRATOR

Strogo se pridržavajte uputstava koje donosi ovaj priručnik. Proizvođač otklanja bilo kakvu odgovornost za eventualne nezgode, štete ili požar, do kog bi moglo da dođe zbog nepridržavanja uputstava koje donosi ovaj priručnik. Kuhinjski aspirator projektovan je za odvođenje dima i pare koji nastaju u toku kuvanja, i namenjen je isključivo domaćoj sredini, odnosno za kućnu upotrebu.

Izgled aspiratora možda će da se razlikuje od ilustracija u ovom priručniku. Bez obzira na to, uputstva za upotrebu, održavanje i montažu ostaju nepromenjena.

- ! Važno je sačuvati ovaj priručnik kako biste kasnije mogli da ga konsultujete u bilo kom momentu.
- ! Ukoliko prodate ili poklonite ovaj proizvod, ili se preselite, vodite računa da ovaj korisnički priručnik uvek bude zajedno sa proizvodom.
- ! Pažljivo pročitajte uputstva: u njima se nalaze važne informacije o instalaciji, upotrebi i vašoj bezbednosti.
- ! Nemojte raditi nikakve mehaničke ili električne varijacije (izmene), odnosno zahvate na proizvodu ili na odvodnim crevima za izbacivanje pare.
- ! Pre instalacije aparata proverite jeste li primili sve komponente neoštećene.
- ! Ako otkrijete da je neki sastavni deo oštećen, pozovite svog prodavca i o tome ga obavestite, a aparat ne smete instalirati.

Napomena: Pojednosti koje su označene znakom ("") znače da je to pribor koji je priložen samo ka određenim modelima, ili može da se poruči kao dodatna oprema, koja nije priložena ka aparatu.



UPOZORENJE:

- ! Pažnja! Aparat nemojte spajati na električnu mrežu sve dok niste kompletno završili sa instalacijom.
- ! Pre bilo kakvog čišćenja ili održavanja, iskopčajte kuhinjski aspirator iz električne mreže vadeći utikač iz utičnice ili isključivši opšti kućni prekidač/šalter, odnosno osigurač.
- ! U toku svih radova na instalaciji i montaži te održavanju aspiratora, uvek nosite zaštitne rukavice.
- ! Ovaj uređaj nije namenjen da ga koriste deca ili lica smanjenih fizičkih, osetilnih ili mentalnih sposobnosti, ili lica s nedostatkom iskustva i znanja, izuzev ako su pod kontrolom ljudi, zaduženih za njihovu bezbednost, koji će ih podučiti u vezi bezbedne upotrebe aparata.
- ! Aparat je namenjen odraslim osobama. Treba da pazite na malu decu i nemojte im dozvoliti da se igraju aparatom.
- ! Aparat je namenjen odraslim osobama. Nemojte dozvoliti deci da se igraju sa kontrolnim elementima aparata ili sa samim aparatom.
- ! Kuhinjski aspirator nemojte nikada koristiti ako pregrada ili mrežica na njemu nije ispravno umetnuta!
- ! Aspirator nemojte NIKADA koristiti kao podlogu na koju ćete stavljati predmete ukoliko to nije jasno naglašeno.
- ! Prostorija treba da ima obilno provetranje, naročito kada se kuhinjski aspirator koristi istovremeno s drugim aparatima u kojima sagoreva zemni gas ili neko drugo gorivo.
- ! Sistem za odvajanje dima i hlapova iz ovog aparata ne sme da bude sproveden u crevo odnosno otvor koji se koristi za izbacivanje dimova koje proizvode ostali aparati koji za svoj rad koriste gas ili neko drugo gorivo.
- ! Ispod aspiratora strogo se zabranjuje flambiranje, odnosno upotreba otvorenog plamena za pripremanje hrane
- ! Korišćenje nekontrolisanog otvorenog plamena je štetno za filtere te može i da izazove požar, zato bi u svakom slučaju trebalo da se ga izbegava.
- ! Postupak prženja neka uvek bude pod vašom kontrolom kako biste izbegli da se pregrejano ulje zapali.
- ! Određeni delovi mogu znatno da se ugriju kada se koriste zajedno sa aparatima za kuvanje.
- ! Što se tiče tehničkih mera kojih treba da se pridržavate u vezi odvoda dima i hlapova, strogo se pridržavajte propisa nadležnih lokalnih vlasti.
- ! Kuhinjski aspirator treba često i redovito čistiti i prati, kako spolja tako i iznutra (BAREM JEDNOM MESEČNO).
- ! Aspirator čistite u skladu sa svime što je navedeno u uputstvima za održavanje koje donosi ovaj priručnik. Nepridržavanje propisa o čišćenju aspiratora i zamene i čišćenja filtera povećava opasnost od požara.
- ! Kuhinjski aspirator nemojte koristiti niti ostavljati a da niste pravilno montirali osvetljenje, jer postoji rizik od električnog udara.
- ! Proizvođač otklanja bilo kakvu odgovornost radi eventualnih nepravilnosti, štete ili požara koje bi mogao izazvati aparat ili koji bi nastali na aparatu, a koje proizlaze iz nepridržavanja uputstava koje donosi ovaj priručnik.
- ! Ovaj aparat je označen u skladu s Evropskom Direktivom 2002/96/EC o otpadnoj električnoj i elektronskoj opremi (Waste Electrical and Electronic Equipment - WEEE). Brigom za ispravno odlaganje ovog proizvoda daćete svoj doprinos ka sprečavanju potencijalne negativnih posledica na životnu sredinu i zdravlje ljudi, koji bi inače mogli biti ugroženi neodgovarajućim rukovanjem istrošenog proizvoda nakon završetka njegovog životnog veka.



Simbol na proizvodu ili na njegovoj ambalaži označava da tim proizvodom ne smete postupati kao sa ostalim običnim otpacima iz domaćinstva. Umesto toga proizvod treba predati odgovarajućim sabirnim centrima za reciklažu elektronskih i električnih aparata. Istrošeni aparat treba odložiti u skladu s lokalnim propisima koji regulišu zaštitu životne sredine i odlaganje otpadaka.

Za detaljnije informacije o tretmanu, odlaganju i ponovnom korišćenju ovog proizvoda, obratite se nadležnim odeljenjima opštinskih ustanova, komunalnoj službi za odvoz kućnog otpada, ili prodavnici u kojoj ste kupili ovaj proizvod.

Aparat je dizajniran, ispitivan i izrađen u skladu sa narednim standardima odnosno propisima:

- **Bezbednost:** EN/IEC 60335-1; EN/IEC 60335-2-31, EN/IEC 62233.
- **Efikasnost funkcionisanja:** EN/IEC 61591; ISO 5167-1; ISO 5167-3; ISO 5168; EN/IEC 60704-1; EN/IEC 60704-2-13; ISO 3741; EN 50564; IEC 62301.
- **EMC (elektromagnetska kompatibilnost):** EN 55014-1; CISPR 14-1; EN 55014-2; CISPR 14-2; EN/IEC 61000-3-2; EN/IEC 61000-3-3.

Preporuke za pravilnu upotrebu kako bi se smanjio uticaj na okoliš: UPUTITE aspirator u rad na minimalnoj brzini kada započnete sa kuvanjem. Ostavite ga da radi još nekoliko minuta nakon što ste završili s kuvanjem. Brzinu odnosno stepen rada povećajte samo u slučaju veće količine dima i pare, a izrazito jak stepen rada, odnosno visoku brzinu koristite isključivo u krajnjim slučajevima. Po potrebi zamenite ugljene filtere (odnosno ugljeni filter), kako biste sačuvali dobru efikasnost odstranjivanja neprijatnih mirisa. Po potrebi očistite filtere za masnoću (odnosno filter za masnoću), kako biste sačuvali njihovu efikasnost. Koristite odvodna creva s najvećim prečnikom, navedenim u ovom priručniku, jer će tako efikasnost da bude optimalna, a buka minimalna.

Dodatne specifikacije u vezi instalacije aspiratora:

Za instalaciju aspiratora koristite samo šrafove za pričvršćenje koji su priloženi ka aparatu. Ako šrafovi nisu priloženi, treba da kupite šrafove odgovarajućeg tipa.

Koristite pravilnu dužinu šrafova, u skladu s podacima u Uputstvima za montažu.

Ako se dvoumite posavetujte se s ovlašćenim serviserom, centrom za pomoć korisnicima, ili sa nekim drugim odgovarajuće obučanim licem.

UPOZORENJE: Ako šrafove ili okove za pričvršćenje ne montirate u skladu s ovim uputstvima može nastati opasnost električnog udara.

UPOTREBA

Aspirator je izrađen tako da može da se koristi bilo u odvodnoj ili u filterskoj varijanti.



Odvodna varijanta

U ovom se slučaju para i dim izbacuju napolje uz pomoć posebnog creva za odvod koji se pričvršćuje za spojnu priрубnicu na gornjem delu aspiratora.

Pažnja! Odvodno crevo nije priloženo sa opremom te treba da se kupi.

Prečnik odvodnog creva treba da bude jednak prečniku spojne priрубnice na aspiratoru.

U horizontalnom delu crevo treba lagano da se uspinje prema gore (otprilike 10°) na način da izbacuje vazduh prema spolja što je lakše moguće.

Pažnja! Ako je kuhinjski aspirator opremljen karbonskim filterima, treba ih ukloniti.

Povežite kuhinjski aspirator i otvore u zidu za odvajanje dima odnosno gasova s istim prečnikom otvora za vazduh na aspiratoru (spojna priрубnica).

Korišćenje creva i otvora za izbacivanje na zidu koji imaju manji prečnik smanjiće sposobnost usisavanja te će dovesti do znatnog povećanja buke.

Proizvođač otklanja bilo kakvu odgovornost u vezi s takvim slučajevima.

! ! Koristite odvodno crevo koje treba da bude što kraće.

! ! Kada instalirate odvodno crevo gledajte da ima minimalni mogući broj pregiba. Najveći dozvoljeni ugao savijanja iznosi 90°.

! ! Izbegavajte drastične promene veličine prečnika creva.

! ! Koristite creva koja imaju što je moguće glađu unutrašnjost.

! ! Materijal od kog je izrađeno crevo za odvod vazduha treba da bude odobreno odgovarajućim sertifikatima.



Filterska verzija

Za ovu varijantu treba vam ugljeni (karbonski) filter, kog možete da nabavite u radnji sa kućanskim aparatima.

Filter će očistiti usisani vazduh od masnoća i mirisa, te će ga očišćenog ponovno vratiti u prostoriju kroz izlazne otvore na gornjoj strani aparata.

MONTAŽA

Minimalna udaljenost između nosive podloge za sudove na uređaju za kuvanje i najnižeg dela kuhinjskog aspiratora ne sme da bude manja od 55 cm kada se radi o električnim šporetima, a 65 cm u slučaju kombinovanih šporeta ili šporeta na gas.

Ukoliko uputstva za instalaciju aparata na gas govore da treba uraditi veći razmak, pridržavajte se tih uputstava.



Spajanje na električnu instalaciju

Napon električne mreže treba odgovarati specifikacijama napona koji je naveden na natpisnoj tablici koja se nalazi u unutrašnjosti kuhinjskog aspiratora. Ukoliko je na priključnom kablju utikač, povežite kuhinjski aspirator preko utičnice koja zadovoljava važeće propise na snazi i koja je postavljena na pristupačnom mestu čak i nakon instalacije. Ako priključni kabl nije opremljen utikačem (direktno povezivanje s mrežom) ili utičnica nije postavljena na pristupačnom mestu nakon instalacije, treba ugraditi dvopolan prekidač koji udovoljava standardima i koji obezbeđuje kompletno iskopčavanje aparata od električne mreže u uslovima kategorije III o previsokom naponu, u skladu s propisima o instalaciji.

Upozorenje! Pre nego što kuhinjski aspirator ponovno spojite na električnu mrežu te proverite pravilno funkcionisanje, uvek najpre proverite i da li je priključni kabl bio pravilno montiran.

Način montaže

Aparat je veoma težak. U postavljanju i rukovanju aspiratorom prilikom njegove instalacije neka učestvuju barem dve osobe.

Pre nego što počnete s postupkom montaže uverite se:

- Proverite da li proizvod koji ste kupili ima dimenzije koje odgovaraju mestu koje ste izabrali za instalaciju.
- Uklonite aktivni karbonski filter (*) ukoliko je priložen (pogledati poglavlje koje o tome govori). Ugijene filtere (odnosno ugljeni filter) treba montirati samo ako kuhinjski aspirator koristite u filterskoj verziji.
- Proverite da se u unutrašnjosti aspiratora možda ne nalazi kakav materijal ili drugi predmeti (koji bi tamo mogli da upadnu u toku prevoza (na primer kesice sa šrafovimima (*), garantni list (*), itd.), te ih po potrebi izvadite i sačuvajte.
- Ukoliko je moguće, iskopčajte i pomerite slobodno stojeći šporet ili nameštaj koji se nalazi ispod ili u blizini zone na koju se postavlja kuhinjski aspirator kako bi se olakšao pristup plafonu ili zidu na koji se postavlja aspirator. Ukoliko to nije moguće, preko površine za kuvanje ili preko šporeta prebacite deblju zaštitnu prevlaku, kako bi zaštitili sve ono što bi moglo da se ošteti prilikom montaže aspiratora.
- Za sastavljanje aparata izaberite ravnu površinu i pokrijte je zaštitnim pokrivačem, na kog stavite sve delove kuhinjskog aspiratora i materijal za njegovu montažu.
- Osim toga proverite da li u blizini zone u kojoj ćete instalirati kuhinjski aspirator (u zoni u kojoj je moguć pristup nakon što ste završili sa montiranjem aspiratora) postoji utičnica za struju i da li je moguć spoj na instalaciju za odvajanje dimova napolje (samo za usisnu verziju).
- Obavite sve potrebne zidarske radove (na primer instaliranje električne utičnice i/ili otvora za prolaz odvodnog creva).

Kuhinjski aspirator ima priložene zidne plastične tiple za pričvršćenje koji su primereni za skoro sve zidove ili plafone. Bez obzira na to, kvalifikovani stručnjak treba da utvrdi primerenost materijala obzirom na vrstu zida ili plafona. Zid ili plafon treba da bude dovoljno čvrst kako bi podneo težinu kuhinjskog aspiratora. Nemojte pokušavati ovaj aparat montirati na zid odnosno ugraditi pomoću pločica, fuge mase odnosno žbuke ili sa silikonskim kitom. Aparat je namenjen isključivo površinskoj montaži.

FUNKCIONISANJE APARATA

Visoku brzinu rada koristite samo u slučaju velike koncentracije pare i dima u toku kuvanja. Savetujemo da uključite usisavanje 5 minuta pre nego što započnete s kuvanjem i da ostavite aspirator da radi još otprilike 15 minuta nakon što ste završili s kuvanjem.

Mehaničko upravljanje korišćenjem dugmadi



⏻ Pritiskom na taster za paljenje svetla upali se osvetljenje. Za isključenje osvetljenja ponovno pritisnite isti taster.

⚙ Pritiskom na taster 1 pokreće se motor koji će raditi na 1. nivou brzine.

⚙ Pritiskom na taster 2 pokreće se motor koji će raditi na 2. nivou brzine.

⚙ Pritiskom na taster 3 pokreće se motor koji će raditi na 3. nivou brzine.

⏻ Pritiskom na taster za isključenje, rad motora se zaustavlja.

Upravljanje na dodir



Kada aspirator spojite na izvor električne energije, on će da se postavi u stanje pripremljenosti; delimično su osvetljeni samo senzorski taster za uključenje/isključenje motora, te senzorski taster za paljenje/gašenje osvetljenja. Senzorske tastere za izbor brzine rada motora od 1 do 3 neće biti osvetljeni, te ih nije moguće ni birati.

⏻ Pritiskom na senzorski taster za upućivanje u rad/isključenje omogućujete izbor brzine rada motora. Kada pritisnete senzorski taster za uključenje/isključenje, senzorski tastere za izbor brzine rada motora (od 1 do 3) biće delimično osvetljeni.

⚙ Pritiskom na senzorski taster 1 pokreće se motor koji će raditi na 1. nivou brzine.

⚙ Pritiskom na senzorski taster 2 pokreće se motor koji će raditi na 2. nivou brzine.

⚙ Pritiskom na senzorski taster 3 pokreće se motor koji će raditi na 3. nivou brzine.

⏻ Pritiskom na senzorski taster za paljenje svetla upali se osvetljenje. Za isključenje osvetljenja ponovno pritisnite isti taster.

ODRŽAVANJE

PAŽNJA! Pre bilo kakvog postupka čišćenja ili održavanja, iskopčajte kuhinjski aspirator iz napajanja električnom strujom na način da izvadite utikač ili isključite glavni prekidač odnosno osigurač kućne instalacije.

Ako je aparat priključen na električnu mrežu preko utičnice, izvucite utikač iz utičnice.

Čišćenje

Kuhinjski aspirator treba često čistiti (barem isto tako često kao i filtere za uklanjanje masnoće), kako s unutrašnje tako i sa spoljne strane. U tu svrhu koristite ovlaženu krpu s neutralnim deterdžentom. Izbegavajte upotrebu grubih odnosno abrazionih proizvoda za čišćenje. NEMOJTE KORISTITI ALKOHOL! UPOZORENJE:

Ako se ne pridržavate osnovnih preporuka u vezi sa čišćenjem aparata i pravilima o zameni filtera, povećava se rizik od požara. Zato se preporučuje da se pridržavate navedenih uputstava.

Proizvođač otklanja bilo kakvu odgovornost za eventualne štete nastale na motoru, ili štete koje bi nastale zbog požara izazvanog kao posledica neodgovarajućeg održavanja ili neuvažavanja gore navedenih bezbednosnih predostrožnosti.

Filter za masnoću

Filter za masnoću zadržava čestice masnoće koje se stvaraju prilikom kuvanja.

Taj filter za masnoću treba da se čisti jednom mesečno koristeći neagresivne deterdžente, bilo ručno ili u mašini za pranje sudova, u kom slučaju treba izabrati program pranja s kratkim ciklusom i na niskoj temperaturi. Ako filter perete u mašini za pranje sudova, možda ćete opaziti manju promenu ili gubitak boje, što ni u kom slučaju ne utiče na efikasnost rada filtera.

Da biste skinuli filter za uklanjanje masnoće povucite feder ručicu koja će da se otklači.

Ugljeni filter (samo za filtersku izvedbu aspiratora)

Ugljeni filter zadržava neugodne mirise koji se stvaraju prilikom kuvanja.

Nakon duže upotrebe dolazi do zasićenja ugljenog filtera. Kako brzo će do toga doći ovisi o načinu kuvanja i o učestalosti čišćenja filtera za masnoću.

U svakom slučaju kasetu ugljenog filtera treba zameniti na svaka četiri meseca.

Ugljeni filter NIJE dozvoljeno prati ili regenerisati.

Protočni karbonski filter

Montirajte po jedan filter na svaku stranu kao poklopac, tako da štiti rešetku ventilatora, a zatim ga obrnite u smeru kazaljki na satu.

Kada želite da ga skinete, obrnite ga u suprotnom smeru od kretanja kazaljki na satu.

Zamena sijalice

Aspirator je opremljen sistemom za osvetljenje koji se zasniva na LED tehnologiji.

LED sijalice omogućuju optimalnu osvetljenost, njihov životni vek je 10 puta duži od životnog veka uobičajenih sijalica, a istovremeno omogućuju i 90 % uštede električne energije. U slučaju greške u radu osvetljenja pozovite tehničku službu ili se obratite servisu.

Följ noga instruktionerna i denna bruksanvisning.

Tillverkaren tar inte ansvar för eventuella felaktigheter, skador eller brand som orsakas av att instruktionerna i denna bruksanvisning inte följs. Fläkten är konstruerad för utslag av matlagningsos och ånga och är endast avsedd för hushållsbruk.

Köksfläktens faktiska utseende kan avvika från illustrationerna i denna bruksanvisningen. Instruktioner för användning, underhåll och installation är dock identiska.

! Det är viktigt att spara denna bruksanvisning för framtida bruk. Vid försäljning, överlämning eller flytt, se till att bruksanvisningen medföljer produkten.

! Läs instruktionerna noga: här finns viktig information om installation, användning och säkerhet.

! Gör inte elektriska eller mekaniska ändringar på produkten eller utgångsledningarna.

! Innan du fortsätter med installationen av apparaten, kontrollera att det inte finns några skadade komponenter. Kontakta i annat fall din återförsäljare och avbryt installationen.

Observera: föremål märkta med symbolen "(*)" är tillbehör som endast medföljer vissa modeller eller som måste köpas separat.



FÖRSIKTIGHET

VARNING!

! Anslut inte apparaten till elnätet innan installationen har slutförts.

! Innan rengöring eller underhåll, koppla loss köksfläkten från elnätet genom att dra ut kontakten eller stänga av huvudströmmen.

! Använd alltid arbetshandskar vid installation och underhåll.

! Denna apparat är inte avsedd att användas av barn eller personer med nedsatt fysisk, sensorisk eller mental förmåga, eller som saknar kunskap och erfarenhet, om de inte övervakas eller har fått särskilda instruktioner om användningen av någon som ansvarar för deras säkerhet.

! Denna apparat är avsedd att användas av vuxna, barn ska övervakas för att säkerställa att de inte leker med apparaten.

! Denna apparat får endast användas av vuxna. Låt inte barn fingra på reglagen eller leka med apparaten.

! Använd aldrig köksfläkten om den inte är korrekt monterad!

! Köksfläkten får ALDRIG användas som stödyta om inte annat anges uttryckligen.

! Platsen där köksfläkten installeras måste vara tillräckligt ventilerad om köksfläkten används tillsammans med gasförbränningsenheter eller andra bränslen.

! Kanalsystemet för denna apparat får inte anslutas till ett befintligt ventilationssystem som används i annat syfte, som att avleda avgaser från apparater som bränner gas eller annat bränsle.

! Tillagning i öppen eld under fläkten är strängt förbjudet.

! Användning av öppen eld skadar filtren och kan utgöra en brandrisk och måste därför undvikas under alla omständigheter.

! Stekning måste göras försiktigt så att oljan inte blir överhettad och antänds.

! Tillgängliga delar av köksfläkten kan bli varma vid användning av tillagningsutrustning.

! Det är viktigt att följa föreskrifterna från lokala myndigheter gällande tekniska och säkerhetsmässiga åtgärder för ångavledning.

! Köksfläkten måste regelbundet rengöras både på insidan och utsidan (MINST EN GÅNG I MÅNADEN).

! Detta måste utföras i enlighet med underhållsinstruktionerna i denna bruksanvisning). Om instruktionerna i denna bruksanvisning gällande rengöring av kåpa och filter inte följs, kan det innebära brandrisk.

! Använd eller lämna inte kåpan utan att lampan är korrekt monterad, detta på grund av risk för elstöt.

! Vi påtar oss inget ansvar för fel, skada på apparaten, eller brand som orsakas av att instruktionerna i denna bruksanvisning inte följs.

! Denna apparat är märkt enligt EU-direktiv 2002/96/EG om avfall som utgörs av eller innehåller elektriska eller elektroniska produkter (WEEE).

Genom att tillse att denna produkt kasseras på rätt sätt hjälper du till att förebygga eventuella negativa konsekvenser för miljön och på människors hälsa, vilket annars skulle kunna orsakas till följd av olämplig kassering av denna produkt.



Symbolen på produkten eller på medföljande dokument indikerar att denna apparat kanske inte kan sorteras som hushållsavfall. I stället ska den lämnas in på lämplig uppsamlingsplats för återvinning av elektrisk och elektronisk utrustning.

Kassering måste ske i överensstämmelse med lokala miljönormer för avfall.

För mer information om behandling, insamling och återvinning av denna produkt, kontakta ansvarig avdelning hos de lokala myndigheterna, den kommunala miljöstationen eller din återförsäljare.

Apparaten är konstruerad, testad och tillverkad enligt:

- **Säkerhet:** EN/IEC 60335-1; EN/IEC 60335-2-31, EN/IEC 62233.
- **Prestanda:** EN/IEC 61591; ISO 5167-1; ISO 5167-3; ISO 5168; EN/IEC 60704-1; EN/IEC 60704-2-13; ISO 3741; EN 50564; IEC 62301.
- **EMC:** EN 55014-1; CISPR 14-1; EN 55014-2; CISPR 14-2; EN/IEC 61000-3-2; EN/IEC 61000-3-3.

Förslag på korrekt användning i syfte att reducera miljöpåverkan: Sätt fläkten på ON vid minimumhastighet när du börjar tillagningen och håll den igång i några minuter efter att tillagningen avslutats. Öka endast hastigheten vid stora mängder os och ånga och använd endast boost-funktionen i extrema situationer. Byt ut kolfiltret/-filtren vid behov för att bibehålla en bra luktbortledning. Rengör fettfiltret/-filtren vid behov för att bibehålla effektiviteten. Använd maximal diameter för kanalsystemet som indikeras i denna bruksanvisning för att optimera effektiviteten och minimera oljud.

Ytterligare specifikationer för installationen

Använd endast fixeringsskruvarna som medföljer produkten för installation, eller om dessa inte medföljer, köp skruvar av rätt typ. Använd korrekt längd för skruvarna som anges i installationsanvisningen. Om du är osäker, kontakta ett auktoriserat servicecenter eller en behörig fackperson.

WARNING! Om skruvarna eller fästansordningarna inte installeras enligt dessa instruktioner kan det leda till elektriska risker.

USE

Köksfläkten är utformad för att användas antingen som utsug eller med filter.



Kanalansluten version

I detta fall leds ångorna ut ur byggnaden genom ett särskilt rör som är anslutet till anslutningsringen ovanpå köksfläkten.

Obs! Avledningsröret medföljer inte och måste köpas separat.

Avledningsrörets diameter måste vara identisk med anslutningsringen.

I horisontalläge måste avledningsröret luta något (ca. 10°) uppåt för att luften ska gå lätt från rummet och ut.

Obs! Om köksfläkten levereras med aktivt kolfilter måste det tas bort. Anslut köksfläkten och avledningshål på väggen med en diameter som är identisk med luftutsläppet (anslutningsflänsen).

Om ledningar och avledningshål har en mindre diameter innebär det sämre utsug och betydligt ökad bullernivå.

Ansvar kan inte övertas i detta fall.

! Använd en kanal med minsta längd.

! Använd en kanal med så få vinklingar som möjligt (maximal vinkel: 90°).

! Undvik drastiska ändringar i kanalens korsningar.

! Använd en kanal med så jämn invändig yta som möjligt.

! Kanalen måste vara tillverkad i godkänt material.



Filterversion

Ett aktivt kolfilter behövs för detta och kan erhållas från våra återförsäljare. Filtret tar bort fett och lukt från utsugsluften och skickar sedan tillbaka luften in i rummet genom det övre utblåsningsgallret.

INSTALLATION

Minsta avstånd mellan stödytan för matlagingsutrustning på hällen och den lägsta delen av köksfläkten är 55cm för elektriska hällar och 65 cm för gas- eller kombinerade hällar.

Om instruktionerna för installation av gashällen anger ett större avstånd ska detta följas.



Elektrisk anslutning

Strömförsörjningen måste motsvara den som anges på plattan inuti kåpan. Om en kontakt medföljer, sätt kontakten i ett uttag i enlighet med föreskrifterna och på en tillgänglig plats efter installation. Om en kontakt inte medföljer (direktanslutning) eller om kontakten inte är placerad tillgängligt, anslut en dubbelpolig brytare efter installation i enlighet med föreskrifterna. Detta säkerställer fullständig frånkoppling från elnätet vid överbelastning i kategori III, i enlighet med instruktionerna för installation.

Varning! Innan du ansluter köksfläkten till elnätet igen och kontrollerar att den fungerar, se alltid till att kabeln är korrekt monterad.

Montering

Mycket tung produkt; hantering och installation måste utföras av minst två personer.

Innan installationen påbörjas:

- Kontrollera att produkten passar vald installationsplats.
- Ta bort kolfiltret/-filtren (*) om sådana medföljer (se även motsvarande avsnitt). Detta ska endast monteras om du vill använda fläkten som kolfilterfläkt.
- Kontrollera (av transportskäl) att det inte finns något annat medföljande material i köksfläkten (t.ex. påsar med skruvar (*), garantipapper (*), osv.), ta i detta fall bort dem och spara på lämplig plats.
- Om möjligt, koppla ifrån och flytta fristående eller inbyggt skåp för lättare åtkomst till bakomliggande vägg/innertak. I annat fall, lägg ett tjockt skydd över köksbänken eller spisen för att skydda dem mot skador och lösa föremål. Välj en plan yta för montering av enheten. Täck ytan med ett skydd och placera alla delar av fläkten på den.
- Kontrollera dessutom om ett elektriskt uttag finns tillgängligt i närheten av fläkten (även tillgänglig efter att fläkten har installerats) och att det är möjligt att ansluta ett utsug till utsidan (gäller endast utsugsfläkt).
- Utför allt förberedande arbete (t.ex. installation av ett elektriskt uttag och/eller ett hål för placering av kanalen).

Expansionspluggar medföljer för montering av köksfläkten på de flesta typer av väggar/tak. En kvalificerad tekniker måste dock godkänna materialens kompatibilitet med väggen/taket. Väggen/taket måste tåla vikten från köksfläkten. **Denna apparat får inte kaklas eller fästas med murbruk eller silikon till väggen. Endast ytmontering.**

ANVÄNDNING

Använd hög utsugseffekt vid koncentrerade köksångor. Du rekommenderas att sätta igång fläkten 5 minuter innan matlagningen påbörjas och låta den vara på i ytterligare ca. 15 minuter efter att matlagningen avslutats.

Mekaniska kontroller



- ⏻ Tryck på lampknappen för att ställa lampan till ON. Tryck igen för att ställa lampan till OFF.
- 1 Tryck på knappen Hastighet 1 för att starta motorn på hastighet 1.
- 2 Tryck på knappen Hastighet 2 för att starta motorn på hastighet 2.
- 3 Tryck på knappen Hastighet 3 för att starta motorn på hastighet 3.
- ⏻ Tryck på avstängningsknappen för att stänga av motorn.

Touchkontroller



När fläkten är ansluten till ett ström uttag befinner den sig i standby-läge och endast knappen ON/OFF och lampknappen är tända med halv ljusstyrka. Knapparna Hastighet 1–3 är inte tända och kan inte väljas.

- ⏻ Tryck på knappen ON/OFF för att börja välja motorhastighet. När knappen ON/OFF har valts lyser Hastighet 1–3 med halv ljusstyrka.
- 1 Tryck på knappen Hastighet 1 för att starta motorn på hastighet 1.
- 2 Tryck på knappen Hastighet 2 för att starta motorn på hastighet 2.
- 3 Tryck på knappen Hastighet 3 för att starta motorn på hastighet 3.
- ⏻ Tryck på lampknappen för att ställa lampan till ON. Tryck igen för att ställa lampan till OFF.

UNDERHÅLL

OBSERVERA! Innan du utför något underhållsarbete, koppla loss köksfläkten från Strömförsörjningen genom att stänga av och ta bort kontaktens säkring.

Eller om apparaten har anslutits genom kontakt och uttag, dra ut kontakten från uttaget.

Rengöring

Köksfläkten ska rengöras regelbundet (minst med samma intervall som du utför underhåll på fettfiltret), inuti och utanpå. Använd en trasa som fuktats med ett neutralt rengöringsmedel. Använd inte slipande produkter. **ANVÄND INTE ALKOHOL!**

WARNING: Om de grundläggande rekommendationerna för köksfläkten samt byte av filter inte följs kan det innebära brandrisk. Vi rekommenderar därför att du följer dessa instruktioner.

Tillverkaren fransäger sig allt ansvar för skador på motorn eller brandskador till följd av olämpligt underhåll eller till följd av att säkerhetsrekommendationerna ovan inte har följts.

Fettfilter

Samlar in fett från matlagningen.

Fettfiltret måste rengöras en gång i månaden med milda rengöringsmedel, antingen för hand eller i diskmaskinen, vilken ska vara inställd på låg temperatur och kort program. Om det diskas i diskmaskin kan fettfiltret bli lätt missfärgat, men det påverkar inte filtreringseffekten. För att ta ut fettfiltret, dra i fjäderhandtaget.

Kolfilter (gäller endast filterversion)

Den absorberar os under matlagning.

Efter en viss användningsperiod uppstår en mättnad i kolfiltret, beroende på vilken typ av tillagning och regelbundenheten hos rengöringen av fettfiltret.

Partronen ska alltid bytas ut minst var fjärde månad.

Kolfiltret får INTE rengöras eller regenereras.

Runt kolfilter

Sätt ett på varje sida för att täcka över båda motorgaller och vrid medsols.

Vid demontering, vrid motsols.

Byta ut lamporna

Fläkten har LED-belysning.

LED-lamporna garanterar optimal belysning, en varaktighet på upp till 10 gånger mer än vanliga lampor och sparar upp till 90 % energi.

Om fel uppstår i belysningsystemet, kontakta teknisk support.

УК КУХОННА ВИТЯЖКА

Чітко дотримуйтеся вказівок, наведених у цьому посібнику. Ми знімаємо з себе відповідальність за можливі незручності, пошкодження або пожежі, спричинені недотриманням інструкцій, наведених у цьому посібнику. Витяжка призначена для втягування випарів, що утворюються під час приготування їжі, лише в домашніх умовах.

Справжня витяжка може виглядати не так, як зображена на ілюстраціях у цій брошурі. Незважаючи на це, інструкції з її використання, обслуговування та встановлення не змінюються.

- ! Цю брошуру потрібно зберегти, щоб до неї можна було звернутися в разі потреби. У разі продажу або передавання витяжки іншому власникові чи переїзду з місця її експлуатації потрібно лишити брошуру з приладом.
- ! Уважно прочитайте інструкцію, адже вона містить важливі відомості про встановлення та використання приладу, а також правила техніки безпеки.
- ! Не модифікуйте прилад, його електричні компоненти й вивідні канали.
- ! Перш ніж встановлювати прилад, переконайтеся, що всі його компоненти цілі. Якщо це не так, зверніться до продавця та не встановлюйте прилад.

Примітка. Компоненти, марковані позначкою «(*)», є додатковими аксесуарами, які постачаються тільки в комплекті з окремими моделями, або не постачаються взагалі, і їх потрібно придбати окремо.



УВАГА!

ПОПЕРЕДЖЕННЯ!

- ! Не підключайте прилад до електричної мережі до завершення встановлення.
- ! Перед кожним очищенням і технічним обслуговуванням витяжки потрібно від'єднати її від електромережі, витягнувши штепсель із розетки або вимкнувши джерело живлення електромережі.
- ! Під час чищення й технічного обслуговування слід завжди вдягати захисні рукавиці.
- ! Цей прилад не призначений для використання дітьми або особами з обмеженими фізичними, тактильними або розумовими здібностями чи без належного досвіду та знань, окрім випадків, коли вони перебувають під наглядом або отримали інструкції щодо використання приладу від осіб, відповідальних за їхню безпеку.
- ! Прилад призначений для використання дорослими. Потрібно стежити, щоб ним не гралися діти.
- ! Прилад призначений для використання дорослими. Не можна дозволити дітям користуватись елементами керування й гратися з приладом.
- ! Заборонено використовувати витяжку, якщо решітку не встановлено належним чином.
- ! **ЗАБОРОНЕНО** використовувати витяжку як опорну поверхню, якщо про це окремо не сказано.
- ! Якщо витяжка використовуватиметься в одному приміщенні з приладами, під час роботи яких згорає газ або використовуються інші види палива, потрібно забезпечити належну вентиляцію.
- ! Повітря, що втягується, не має бути направлено у витяжний канал, який використовується з іншою метою, наприклад, для виведення диму від роботи приладів на газі або іншому паливі.
- ! Категорично заборонено використовувати для приготування страв безпосередньо під витяжною відкритий вогонь.
- ! Відкритий вогонь може пошкодити фільтри та спричинити пожежу, тож ним не слід користуватися за будь-яких умов.
- ! Слід стежити за олією під час смаження, щоб вона не перегрілася й не спалахнула.
- ! Відкриті для доступу деталі витяжки можуть нагріватися під час використання.
- ! Під час виведення випарів і диму потрібно чітко дотримуватися технічних норм і стандартів безпеки, встановлених місцевими органами влади.
- ! Витяжку потрібно регулярно очищувати всередині та ззовні (ПРИНАЙМНІ РАЗ НА МІСЯЦЬ).
- ! Робити це слід відповідно до вказівок з обслуговування, наведених у цьому посібнику. Недотримання вказівок з очищення витяжки та фільтрів може призвести до пожежі.
- ! Не користуйтеся витяжною без встановленої належним чином лампи та не лишайте витяжку без неї, оскільки це може призвести до ураження електричним струмом.
- ! Ми не несемо відповідальність за будь-які несправності, пошкодження приладу або пожежі, спричинені недотриманням інструкцій, наведених у цьому посібнику.
- ! Цей пристрій позначено відповідно до Директиви ЄС 2002/96/ЄС щодо відходів електричного та електронного обладнання (WEEE). Забезпечивши належну утилізацію цього виробу, ви допоможете уникнути потенційно негативних наслідків для навколишнього середовища та здоров'я людей.



Така позначка на виробі або в супровідній документації вказує на те, що прилад не можна утилізувати як побутові відходи. Натомість його слід передати у відповідний центр збору для утилізації відходів електричного та електронного обладнання. Прилад слід утилізувати згідно з місцевими природоохоронними правилами, що стосуються утилізації відходів.

Щоб отримати докладнішу інформацію про правила поводження з такими приладами, їх утилізацію та переробку, зверніться до відповідних органів місцевої влади, служби утилізації відходів або магазину, у якому придбали прилад.

Прилад сконструйовано, перевірено й виготовлено відповідно до наведених далі стандартів.

- **Безпека:** EN/IEC 60335-1; EN/IEC 60335-2-31, EN/IEC 62233.
- **Продуктивність:** EN/IEC 61591; ISO 5167-1; ISO 5167-3; ISO 5168; EN/IEC 60704-1; EN/IEC 60704-2-13; ISO 3741; EN 50564; IEC 62301.
- **Електромагнітна сумісність:** EN 55014-1; CISPR 14-1; EN 55014-2; CISPR 14-2; EN/IEC 61000-3-2; EN/IEC 61000-3-3.

Рекомендації з належного використання для зменшення впливу на навколишнє середовище. На початку приготування слід вмикати мінімальну потужність роботи витяжки. Після завершення приготування слід на кілька хвилин лишати її ввімкнутою. Підвищуйте потужність, тільки якщо збільшується кількість диму та випарів. Використовуйте максимальну потужність тільки в крайньому разі. За необхідності замінійте вугільні фільтри, щоб витяжка ефективно усувала запахи. За необхідності очищайте жирові фільтри, щоб вони ефективно вловлювали жир. Щоб витяжка працювала якомога ефективніше й тихіше, використовуйте максимальний діаметр повітропроводу, зазначений у цьому посібнику.

Додаткові технічні характеристики для встановлення:

Якщо в комплект поставки приладу входять гвинти для фіксування, використовуйте їх. Якщо ні, придбайте гвинти правильного типу. Використовуйте гвинти правильної довжини, яка зазначена в посібнику зі встановлення.

У разі виникнення сумнівів зверніться до авторизованого центру технічної підтримки або фахівця.

ПОПЕРЕДЖЕННЯ! Якщо не закріпити витяжку гвинтами або іншим видом кріплення згідно з наданими інструкціями, це може призвести до ураження електричним струмом.

ЗАСТОСУВАННЯ

Витяжку можна використовувати в режимі виведення або рециркуляції.



Режим виведення

У цьому режимі випари виводяться з приміщення за допомогою спеціальної труби, приєднаної до кільця у верхній частині витяжки.

Увага! Вивідна труба не постачається в комплекті. Її потрібно придбати окремо.

Діаметри вивідної труби та з'єднувального кільця мають збігатися.

У горизонтальній частині вивідна труба має бути трохи піднятою (під кутом приблизно 10°), щоб повітря легко виводилося назовні.

Увага! Якщо витяжка постачається з вугільним фільтром, його слід зняти.

Прикріпіть витяжку до настінних вивідних отворів, діаметр яких відповідає отвору для випускання повітря (з'єднувальний фланець).

Використання вивідних труб і настінних отворів меншого діаметру погіршить ефективність втягування та значно збільшить рівень шуму.

Тому ми знімаємо з себе відповідальність за такі наслідки.

! Використовуйте витяжний канал мінімальної необхідної довжини.

! Використовуйте витяжний канал із якомога меншою кількістю поворотів (максимальний кут повороту: 90°).

! Уникайте значних змін площі поперечного перерізу витяжного каналу.

! Використовуйте канал із максимально гладенькою внутрішньою поверхнею.

! Витяжний канал повинен бути виготовлений із сертифікованого матеріалу.



Режим рециркуляції

ВСТАНОВЛЕННЯ

Відстань від нижньої частини витяжки до посуду на кухонній плиті має бути принаймні 55 см для електричних плит і 65 см для газових і комбінованих плит.

Якщо в інструкції зі встановлення газової плити зазначена довша відстань, потрібно дотримуватися її.



Підключення до електромережі

Напруга в електромережі має відповідати характеристикам, зазначеним на паспортній таблиці всередині витяжки. Якщо в комплект входить вилка підключення до електромережі, то слід увімкнути витяжку в розетку, що відповідає поточним нормам і перебуває в зручному для подальшого використання місці. Якщо ж вилка не входить у комплект (безпосереднє підключення до електромережі) або поблизу немає розетки, то слід вмонтувати відповідний двополюсний перемикач, за допомогою якого можна буде повністю вимкнути прилад із мережі в разі перенапруги III категорії, відповідно до інструкції зі встановлення.

Попередження! Перш ніж знову підключати витяжку до електромережі й перевіряти правильність її роботи, переконайтеся, що кабель живлення встановлений правильно.

Монтаж

Прилад дуже важкий, тому переміщати й встановлювати його мають принаймні дві людини.

Перед встановленням.

- Перевірте, чи відповідають розміри придбаного приладу вибраному місцю для встановлення.
- Вийміть вугільні фільтри (*), якщо вони постачаються в комплекті (див. відповідний розділ). Їх потрібно встановлювати, тільки якщо витяжка використовуватиметься в режимі рециркуляції.
- Перевірте, чи всередині витяжки не залишилося предметів, поміщених туди під час транспортування (наприклад, пакетів із гвинтами (*), гарантійних листів (*) тощо). Якщо вони там будуть, вийміть їх і зберіжіть.
- За можливості від'єднайте та відсуньте окрему або висувну витяжку від отвору кухонної шафи, щоб забезпечити вільний доступ до стелі або задньої стіни. Якщо це неможливо, відкрийте стільницю, варильну поверхню й витяжку товстим матеріалом для захисту від пошкоджень і сміття. Виберіть плоску поверхню, щоб прикріпити до неї прилад. Накрийте її захисним покриттям і розмістіть на ній витяжку та деталі для кріплення.
- Перевірте також, чи є поруч із зоною встановлення витяжки розетка, яка буде доступна навіть після встановлення, а також отвір для вивідної системи, яка витягуватиме випари на вулицю (тільки в режимі втягування).
- Виконайте всі потрібні роботи (наприклад, встановіть розетку та зробіть отвір для виведення труби для випарів).

У комплект поставки входять компенсаційні заглушки, які підходять для закріплення витяжки на більшості типів стін і стель. Однак фахівець повинен перевірити, чи можна їх використовувати на конкретних стінах і стелях. Стіна або стеля, до якої кріпитиметься витяжка, має витримувати її вагу. **Не прикріплюйте прилад до стіни за допомогою цементного розчину або силіконового герметика, а також безпосередньо на плитку. Тільки для закріплення на поверхні.**

ЕКСПЛУАТАЦІЯ

Використовуйте високу потужність втягування, тільки якщо на кухні багато випарів. Рекомендовано вмикати витяжку на втягування за 5 хвилин до початку приготування їжі, а також лишати її ввімкнутою під час усього процесу та протягом 15 хвилин після його завершення.

Механічне керування



⦿: Щоб увімкнути освітлення, натисніть кнопку освітлення. Натисніть її ще раз, щоб вимкнути освітлення.

⦿: Натисніть кнопку швидкості 1, щоб двигун працював зі швидкістю 1.

⦿: Натисніть кнопку швидкості 2, щоб двигун працював зі швидкістю 2.

⦿: Натисніть кнопку швидкості 3, щоб двигун працював зі швидкістю 3.

○: Натисніть кнопку вимкнення, щоб вимкнути двигун.

Сенсорне керування



Після підключення до електромережі витяжка перебуватиме в режимі очікування. Частково світлитимуться лише кнопки ввімкнення та вимкнення й освітлення. Кнопки швидкості 1–3 не світлитимуться та не працюватимуть.

⦿: Натисніть кнопку «Увімк./вимк.», щоб вибрати швидкість двигуна. Почнуть світлитися кнопки швидкості 1–3.

⦿: Натисніть кнопку швидкості 1, щоб двигун працював зі швидкістю 1.

⦿: Натисніть кнопку швидкості 2, щоб двигун працював зі швидкістю 2.

⦿: Натисніть кнопку швидкості 3, щоб двигун працював зі швидкістю 3.

⦿: Щоб увімкнути освітлення, натисніть кнопку освітлення. Натисніть її ще раз, щоб вимкнути освітлення.

ОБСЛУГОВУВАННЯ

УВАГА! Перед виконанням робіт з технічного обслуговування вимикайте витяжку від електричного живлення, переводячи перемикач у положення вимкнення та витягаючи запобіжник.

Якщо ж прилад підключено до електромережі за допомогою вилки й розетки, роз'єднайте їх.

Очищення

Витяжку слід регулярно очищати всередині та ззовні (принаймні з кожним очищенням жирових фільтрів). Для цього потрібно використовувати вологу тканину з нейтральним рідким мийним засобом. Не використовуйте абразивні матеріали. **НЕ ВИКОРИСТОВУЙТЕ СПИРТ!**

ПОПЕРЕДЖЕННЯ! Недотримання основних рекомендацій з очищення витяжки та заміни фільтрів може призвести до пожежі. Тому їх рекомендовано дотримуватися.

Виробник відмовляється від будь-якої відповідальності за пошкодження електродвигуна або пошкодження вогнем через неналежне технічне обслуговування чи недотримання наведених вище рекомендацій з техніки безпеки.

Жировий фільтр

Вловлює жирні частки їжі.

Жировий фільтр слід очищувати раз на місяць за допомогою неагресивних мийних засобів вручну або в посудомийній машині за найнижчої температури та короткого циклу. Після очищення в посудомийній машині жировий фільтр може дещо втратити колір, але це не впливає на його фільтрувальні здатності.

Щоб зняти жировий фільтр, потягніть пружинну ручку вивільнення фільтра.

Вугільний фільтр (тільки в режимі рециркуляції)

Поглинає неприємні запахи від приготування їжі.

Вугільний фільтр забруднюється після більш-менш тривалого використання залежно від інтенсивності приготування їжі та регулярності чищення жирового фільтра.

У будь-якому разі його слід замінювати принаймні раз на чотири місяці.

Вугільний фільтр НЕ можна мити й використовувати повторно.

Круговий вугільний фільтр

Прикріпіть по одному з кожної сторони як кришку для обох захисних решіток робочого колеса двигуна та поверніть за годинниковою стрілкою.

Щоб демонтувати, поверніть проти годинникової стрілки.

Заміна ламп

Витяжку оснащено світлодіодною системою освітлення.

Світлодіодні лампи забезпечують оптимальний рівень освітлення, дають змогу заощадити 90 % електроенергії й слугують до 10 разів довше, ніж звичайні лампи. У разі несправності системи освітлення зверніться до служби технічної підтримки.

تتبع بعناية التعليمات الواردة في هذا الدليل. الشركة المصنعة والممولون غير مسؤولين عن الأعطال أو الحوادث أو الأضرار الناجمة عن الحرائق في حال عدم الالتزام بالتعليمات الواردة في هذا الدليل. تم تصميم هذا الشفاط لامتصاص أبخرة الطهي والبخر، ومُعد فقط للاستخدام المنزلي.

يمكن أن يكون الشفاط مختلفاً عن الرسومات الموجودة في هذا الكتيب. ومع ذلك تبقى تعليمات الاستخدام والصيانة والتركيب نفسها.

إنه لمن المهم الاحتفاظ بهذا الكتيب للرجوع إليه في أي وقت. في حال بيع الجهاز، والتنزل عنه أو نقله، تأكد بأنه مرفق مع المنتج! اقرأ تعليمات الاستخدام بعناية: يحتوي على معلومات هامة عن طريقة التركيب والاستخدام وإجراءات السلامة!

لا تقم بأيّة تعديلات (توصيلات) كهربائية أو ميكانيكية على المنتج أو على أنابيب التصريف!

قبل القيام بإجراءات تركيب الجهاز تأكد من عدد تضرر المكونات. وإلا فعليك الاتصال بالموزع وعدم متابعة إجراءات التركيب!

العناصر التي تحمل الرمز "*" هي ملحقات اختيارية يتم توفيرها فقط مع بعض الموديلات أو عناصر يتم شرائها وهي غير مرفقة: ملاحظة



تنبيه

تحذيراً! لا تقم بتوصيل الجهاز بالشبكة الرئيسية حتى اكتمال تثبيته بشكل كامل.

قبل أي عملية تنظيف أو صيانة، افصل التيار الكهربائي عن الشفاط (إزالة القابس أو قطع التيار الكهربائي عن شبكة التغذية الرئيسية).

ارتدي دائماً قفازات عمل عند القيام بجميع عمليات التركيب والصيانة.

ليس الهدف من هذه الأجهزة استخدامها من قبل أشخاص (بما فيهم الأطفال) يعانون من ضعف القدرات الجسدية والعقلية أو عدم وجود الخبرة والمعرفة الكافية. ما لم تتم مراقبتهم أو توجيههم بكيفية استخدام الجهاز من جانب الشخص المسؤول عن سلامتهم.

تم تصميم هذا الجهاز ليتم تشغيله من قبل الكبار البالغين، يجب أن يتم توجيه الأطفال للتأكد من عدم العبث بالجهاز.

تم تصميم هذا الجهاز ليتم تشغيله من قبل الكبار البالغين، يجب ألا يُسمح للأطفال العبث بعناصر التحكم أو بالجهاز.

لا تستخدم الشفاط بدون تركيب أنبوب الشفط.

لا ينبغي استخدام الشفاط كسطح دائم ما لم يتم تحديد ذلك.

يجب أن تكون المباني ذات تهوية كافية، عند استخدام شفاط المطبخ وحرّاق الغاز أو أي حرّاق وقود آخر معاً.

يجب ألا يكون نظام شفط الجهاز متصلاً إلى أي نظام تهوية يُستخدم لأي غرض مثل التخلص من الأبخرة الناتجة عن حرّاق الغاز أو أي حرّاق وقود آخر.

يجب أخذ الحذر الشديد من اللهب المتصاعد عن الأطعمة تحت الشفاط نفسه.

تعرّض الشفاط للهب المتصاعد يضر بالفلتر وقد يتسبب بخطر الحريق، ويجب تجنبه في جميع الأحوال.

إن أي عملية قلي يجب أن تتم بحذر وذلك للتأكد من عدم تسخين الزيت لدرجة الاشتعال.

ترتفع درجة حرارة أجزاء الشفاط التي يمكن الوصول إليها أثناء استخدامها مع جهاز الطهي بنفس الوقت.

فيما يتعلق بمعايير التقنية والسلامة التي سيتم تبنيها للتصريف الدخان من المهم اتباع تعليمات اللوائح المزودة من قِبل السلطات المحلية.

(مرة واحدة في الشهر على الأقل) يجب تنظيف الشفاط بانتظام من الداخل والخارج معاً.

يجب إتباع هذا وفقاً لتعليمات الصيانة الواردة في هذا الدليل. عدم الالتزام بتعليمات التنظيف المزودة بهذا الدليل فيما يتعلق بتنظيف الشفاط والفلتر قد يؤدي إلى خطر الحريق.

لا تستخدم أو تترك الشفاط بدون تثبيت اللبنة بشكل صحيح وذلك للخطر المحتمل من التعرض لصدمة كهربائية.

نحن نرفض أية مسؤولية ناتجة عن أية مشاكل أو أضرار أو حرائق تلحق بالجهاز نتيجة عدم الالتزام بالتعليمات الواردة في هذا الدليل.

فيما يتعلق بالتخلص من الأجهزة الكهربائية والإلكترونية المستهلكة (2002/96/EC) هذا الجهاز معرّف بالتوافق مع التشريع الأوروبية من خلال ضمان التخلص من هذا المنتج بطريقة صحيحة، فإنك تساهم في الحلولة دون حدوث عواقب سلبية محتملة ناجمة عن (WEEE) معالجة النفايات بشكل غير ملائم والتي تهدد البيئة وصحة الإنسان، والتي قد تنتج بسبب الطريقة غير الصحيحة في التخلص من المنتج.



إن الرمز على المنتج أو على الوثائق المرفقة مع الجهاز، تشير على أن هذا الجهاز مصمّم للاستخدام المنزلي فقط، فيرجى عدم استخدامه في أغراض أخرى، ولا تستخدمه كغاية منزلية. بل عوضاً عن ذلك يجب تسليمه إلى مراكز التجميع المتخصصة لإعادة تدوير الأجهزة الكهربائية والإلكترونية. يجب أن يتم التخلص من الجهاز وفقاً للأنظمة البيئية للتخلص من النفايات المحلية.

لمزيد من المعلومات التفصيلية حول المنتج، والاسترداد وإعادة تدوير هذا المنتج، يرجى الاتصال بمجلس البلدية المحلي أو خدمة التخلص من النفايات المنزلية أو بالمتجر الذي اشترت منه هذا المنتج.

تم تصميم واختبار وتصنيع الجهاز وفقاً لـ

• الأمان:

EN/IEC 60335-1; EN/IEC 60335-2-31, EN/IEC 62233.

الأداء

EN/IEC 61591; ISO 5167-1; ISO 5167-3; ISO 5168; EN/IEC 60704-1; EN/IEC 60704-2-13; ISO 3741; EN

50564; IEC 62301.

• EMC :

EN 55014-1; CISPR 14-1; EN 55014-2; CISPR 14-2; EN/IEC 61000-3-2; EN/IEC 61000-3-3

اقترحات من أجل الاستخدام الصحيح لتقليل آثاره على البيئة: قم بتشغيل الشفط على أقل سرعة عندما تبدأ بالطهي واتركه يعمل لبضع دقائق بعد الانتهاء من الطهي. قم بزيادة السرعة فقط في حال وجود كمية كبيرة من الدخان والبخار واستخدم السرعة العليا فقط في الحالات القصوى. استبدل فلتر (فلاتر) الفحم عند الضرورة للحفاظ على كفاءة شفط جيدة للحد من (السرعات) الرائحة. قم بتنظيف فلتر (فلاتر) الشحوم عند الضرورة للحفاظ على كفاءة عمل جيدة لفلتر الشحوم. استخدم القطر الأكبر لنظام الشفط كما هو مبين في هذا الدليل لتحسين من الكفاءة وتقليل الضوضاء

الاستخدام

تم تصميم الشفط ليتم استخدامه بتوصيله إلى أنابيب شفط أو مع نموذج فلتر تصفية

نموذج مع عادم

في هذه الحالة يتم سحب الأبخرة خارج المبنى عن طريق أنابيب خاصة مرتبطة بحلقة توصيل على السطح العلوي للشفط

أنابيب الشفط غير مرفقة ويجب أن يتم شراءها على حدة: **تحذير**

يجب أن يكون قطر أنابيب الشفط مساوٍ لقطر حلقة التوصيل

يجب أن يتم تركيب أنابيب الشفط بشكل افقي مع ميلان (10 درجات تقريباً) وباتجاه الأعلى لشفط الهواء بسهولة من الغرفة إلى الخارج

إذا كان الشفط مزوداً بفلتر الفحم، عندها يجب أن تتم إزالته: **تحذير**

(حلقة توصيل) قم بوصول الشفط واحفر فتحة في الجدار بقطر مساوٍ لمنفذ الهواء

استخدام الأنابيب وفتحات التصريف على الجدران بأبعاد أصغر، سوف يقلل من كفاءة الشفط ويزيد من مستوى الضوضاء. لا تتحمل أي مسؤولية فيما يتعلق بذلك

استخدم انبوب شفط بأقل طول ممكن !

(أكبر زاوية 90 درجة) استخدم انبوب شفط بأقل عدد من الزوايا !

تجنب أية تغييرات في مقطع الأنبوب !

استخدم انبوب بجدار داخلي أملس قدر الإمكان !

يجب أن يكون الأنبوب مصنوع من مواد معتمدة

نموذج جهاز التصفية

هناك حاجة لفلتر فحم واحد ويمكن الحصول عليه من متاجر التوزيع

يعمل الفلتر على تصفية الهواء من الشحوم والروائح قبل إعادته مرة أخرى إلى الغرفة عبر شبكة المخرج العلوية

التركيب

يجب ألا تقل المسافة بين السطح الداعم لأوراني الطهي على الموقد وأدنى جزء من نطاق الشفط عن 55 سم بالنسبة لمواقد الطهي

(غاز وكهرباء) الكهربائية و65 سم من أفران الغاز أو الأفران المختلفة

في حال كانت تعليمات التركيب لأفران الغاز تتطلب مسافة أكبر، لا بد من الالتزام بها

التوصيل الكهربائي

يجب أن يتوافق التيار الكهربائي الرئيسي مع الاعدادات المُشار إليها على لوحة بيانات الجهاز الموجودة داخل الشفط. إذا كان الشفط مزوداً بقباس قم بوصله إلى مقبس مناسب للأنظمة الحالية وموضوع في مكان يسهل الوصول إليه بعد التركيب. إذا لم يتناسب مع القابس (توصيل مباشر بالتيار الكهربائي الرئيسي) أو كان القابس موجود بمكان يصعب الوصول إليه بعد التركيب، أضف قاطع ثنائي يتناسب مع المواصفات والذي يضمن الفصل الكامل للتيار الكهربائي الرئيسي تحت شروط متعلقة بشدة التيار المفرطة من الفئة الثالثة، وبما يتناسب مع تعليمات التركيب

التركيب

المنتج ثقيل جداً، لذا ينبغي أن يتم نقله وتركيبه من قبل شخصين على الأقل. قبل البدء في عملية التركيب

تأكد من أن المنتج الذي تم شراؤه بحجم مناسب لمنطقة التثبيت المحددة •

قم بإزالة مرشح / فحم الفحم (*) إذا تم توفيره (انظر أيضاً الفقرة النسبية). هذا / هذا / سيتم تركيبه فقط إذا كنت ترغب في استخدام •

غطاء محرك السيارة في إصدار التصفية

- تحقق (لأسباب متعلقة بالنقل) من عدم وجود عناصر أخرى داخل الشفاط (على سبيل المثال أكياس براغي، (*)، وثائق الكفالة • . وغيرها)، قم بإزالتها واحتفاظ بها، (*)
- إذا كان بالإمكان، قم بفصل وإزاحة العناصر المستقلة أو افتح مجال عن فتحة الخزانة لسهولة الوصول إلى الجدار/السقف الخلفي. وإلا ضع • غطاء سميك واقى فوق سطح العمل، أو مكان الطهي أو مجال لحمايته من التضرر. قم باختيار سطح مستو لتجميع الجهاز. قم بتغطية السطح بغطاء واقى وضع جميع أجزاء الشفاط والمعدات داخله
- وبالإضافة إلى ذلك تحقق ما إذا كان بالقرب من مكان تركيب الشفاط (مكان يمكن تركيب الشفاط به) توفر مأخذ كهربائي وأنه من • (فقط في نموذج الشفاط) الممكن القيام بتوصيل أنابيب الشفاط إلى الخارج
- (مثل تركيب مقبس كهربائي و/أو حفر فتحة في الجدار لمرور أنابيب الشفاط) قم بتنفيذ جميع أعمال البناء اللازمة •
- تم تزويد الشفاط ببيوريات تثبيت مناسبة لمعظم أنواع الجدران/السقوف. مع ذلك، يجب مراجعة فني مؤهل لتأكيد ملاءمة المواد وفقاً لا تقم بتثبيت الجهاز على البلاط، والجص أو، لنوع الجدار/السقف. يجب أن يكون الجدار/السقف قوي بما يكفي ليتحمل وزن الشفاط
- السيليكون. بل على سطح تركيب فقط

التشغيل

استخدم سرعة امتصاص عالية في حالات أبخرة المطبخ المركزة. من المستحسن أن يتم تشغيل شفاط الطهي قبل 5 دقائق من الطهي، واتركه يعمل أثناء الطهي ولمدة 15 دقيقة تقريباً بعد إنهاء الطهي

الضوابط الميكانيكية



- : اضغط على زر الإضاءة لتشغيل الضوء. اضغط مرة أخرى لإطفاء الضوء
- ☉: لبدء تشغيل المحرك بالسرعة 1 1 Speed اضغط على زر
- ☉: لبدء تشغيل المحرك بالسرعة 2 2 Speed اضغط على الزر
- ☉: لبدء تشغيل المحرك بالسرعة 3 3 Speed اضغط على الزر
- : إيقاف التشغيل/إيقاف تشغيل المحرك "Off اضغط على زر

الضوابط باللمس



عند توصيل الشفاط بالطاقة الكهربائية، سيكون الشفاط في وضعية الاستعداد وسيُضئ فقط زر "تشغيل / إيقاف" ويُضئ زراً الإضاءة بشكل باهت. وتكون الأزرار من السرعة 1-3 غير مضاءة ولا يمكن اختيارها

- اضغط على زر تشغيل/إيقاف تشغيل لبدء تحديد سرعة المحرك. عند يتم تحديد زر تشغيل/إيقاف تشغيل، تضئ السرعة 1-3 بشكل باهت
- ☉: لبدء تشغيل المحرك بالسرعة 1 1 Speed اضغط على زر
- ☉: لبدء تشغيل المحرك بالسرعة 2 2 Speed اضغط على الزر
- ☉: لبدء تشغيل المحرك بالسرعة 3 3 Speed اضغط على الزر
- : اضغط على زر إضاءة لتشغيل الضوء. اضغط مرة أخرى لإطفاء الضوء

تنبيه! قبل تنفيذ أي عملية صيانة فصل الشفط عن التيار الكهربائي بقطع الرابط أو إزالة فيوز الرابط أو إذا تم توصيل الجهاز بقابس ومقبس، فيجب إزالة القابس من المقبس.

التنظيف

يجب تنظيف شفاط الطهي بانتظام (على الأقل بعدد مرات أعمال الصيانة التي تقوم بها بالنسبة لفلتر الدهون) الداخلية والخارجية. قم بالتنظيف **إلا تستخدم الكحول** باستخدام قطعة قماش مبللة مع المنظفات السائلة العادية. لا تستخدم المنظفات الكاشطة

الفشل في تنفيذ توصيات التنظيف الأساسية لشفاط الطهي واستبدال الفلاتر قد يسبب بأخطار الحريق. لذلك، نوصي باتباع هذه **تحذير** الشركة المصنعة ترفض أية مسؤولية ناتجة عن أية أضرار بالمحرك أو أي ضرر حريق مرتبط بصيانة غير مناسبة أو التعليمات. الفشل بملاحظة تعليمات السلامة الواردة أعلاه

مرشح الدهون

يلتقط جزيئات الدهون

يجب تنظيف الفلتر مرة واحدة في الشهر، بمنظفات غير كاشطة، إما بالغسل اليدوي أو في غسالة الأطباق، والتي يجب ضبطها على درجة حرارة منخفضة ودورة قصيرة . عند غسلها في غسالة الأطباق، قد يتغير لون فلتر الدهون قليلاً ، لكن هذا لا يؤثر على قدرة الفلتر لإزالة فلتر الدهون، اسحب مقبض تحرير النابض .

(إصدار مع فلتر فقط) فلتر الفحم

يمتص الروائح الغير مرغوبة الناجمة عن الطهي

يتشبع فلتر الفحم بعد الاستخدام لفترة طويلة أو قصيرة، هذا يتوقف على نوع الطهي والتنظيف الدوري لفلتر الشحوم. في أي حال فإنه من الضروري استبدال خرطوشة الفلتر كل أربعة أشهر على الأقل

لا يجوز غسل فلتر الفحم أو تجديده

فلتر الكربون الدائري

ضع واحدة على كل جانب كغطاء لكل من الشبكات المصفحة ومروحة المحرك ، ثم اثم أدرها باتجاه عقارب الساعة . للتفكيك، أدر بعكس اتجاه عقارب الساعة

استبدال اللمبات

LED. تم تجهيز الشفاط بنظام إضاءة يعتمد على تقنية

الإضاءة المثلى، لمدة تصل إلى 10 مرات أكثر مما هو عليه في المصابيح التقليدية، وتسمح بتوفير 90% من LED تضمن إضاءة في حالة حدوث خلل في نظام الإضاءة يرجى الاتصال بالخدمات التقنية.