

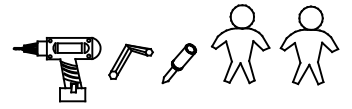
# BED NILAS

22-791-07

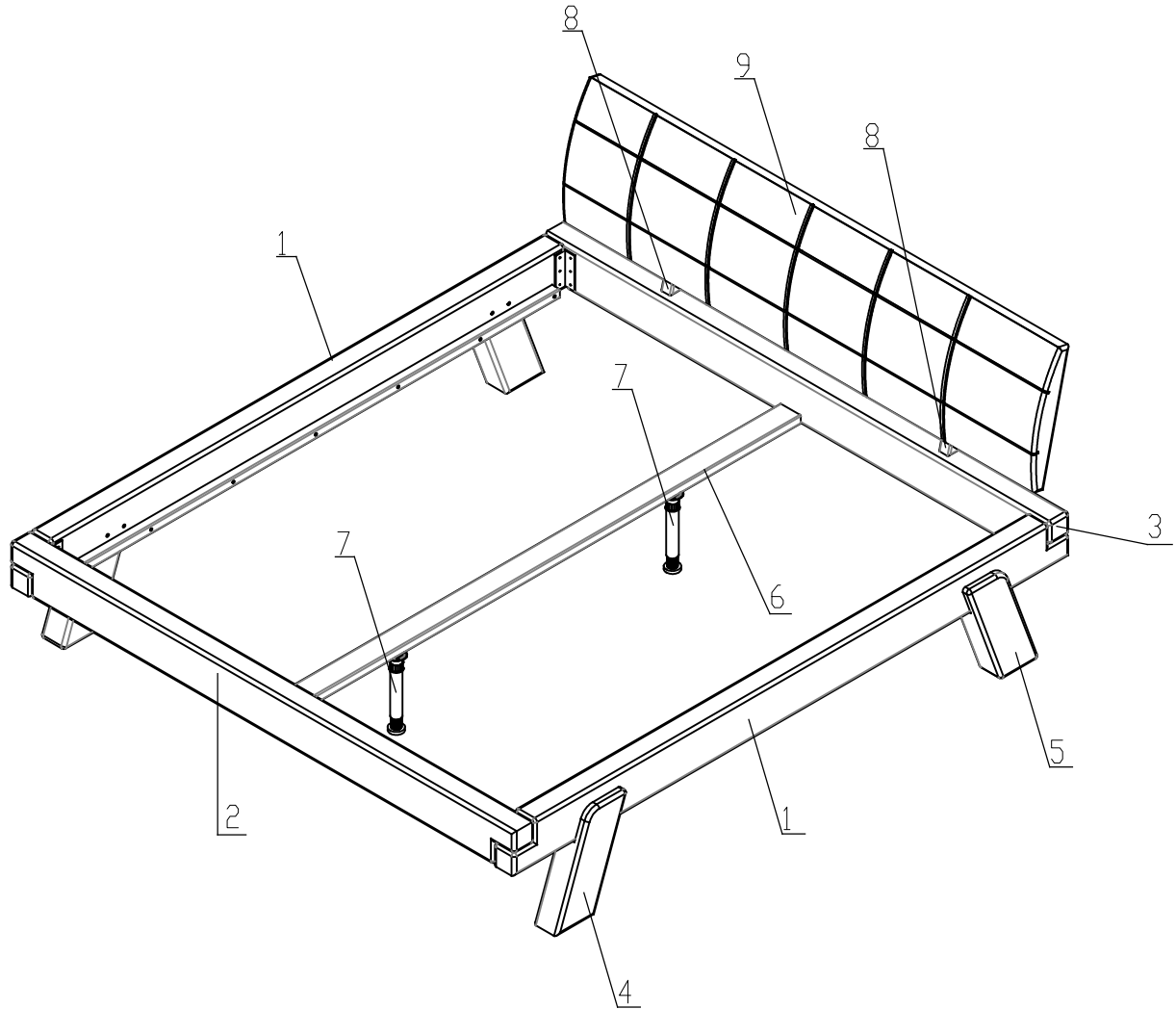
22-792-07



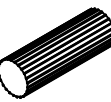
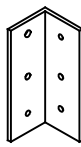

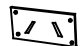




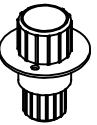


22-791-19

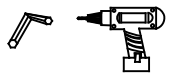
22-792-19



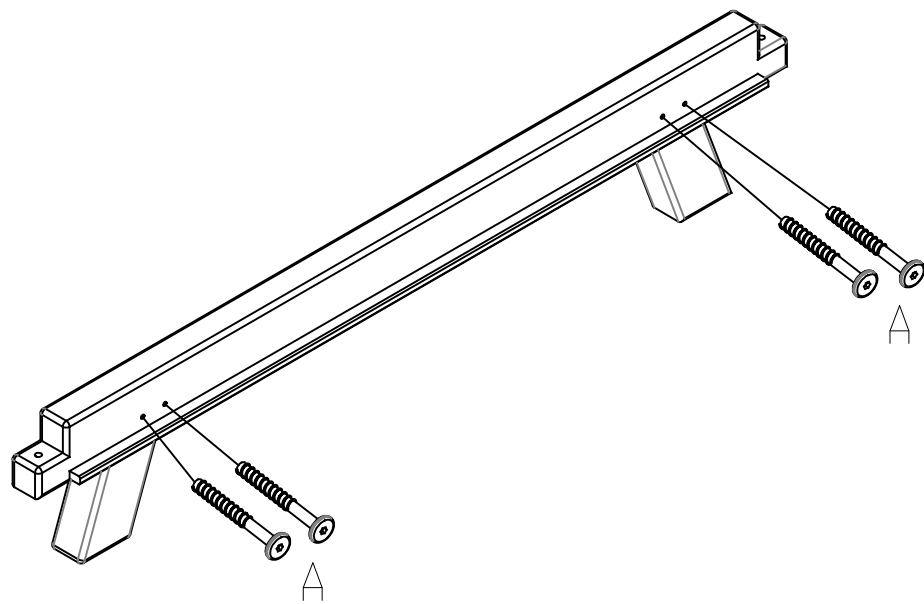
40 Minutes



<p>6X100</p>  <p>Ax8</p>	<p>SW 4</p>  <p>x1</p>	<p>12x100</p>  <p>Bx4</p>	<p>40x40x120</p>  <p>Cx4</p>	<p>4X35</p>  <p>DX24</p>	 <p>Ex2</p>	 <p>Fx2</p>	<p>3,5X16</p>  <p>Gx20</p>	<p>6X60</p>  <p>Hx8</p>	 <p>Ix2</p>
 <p>Jx2</p>	 <p>Kx2</p>	 <p>Lx2</p>							



1.



6X100

SW 4

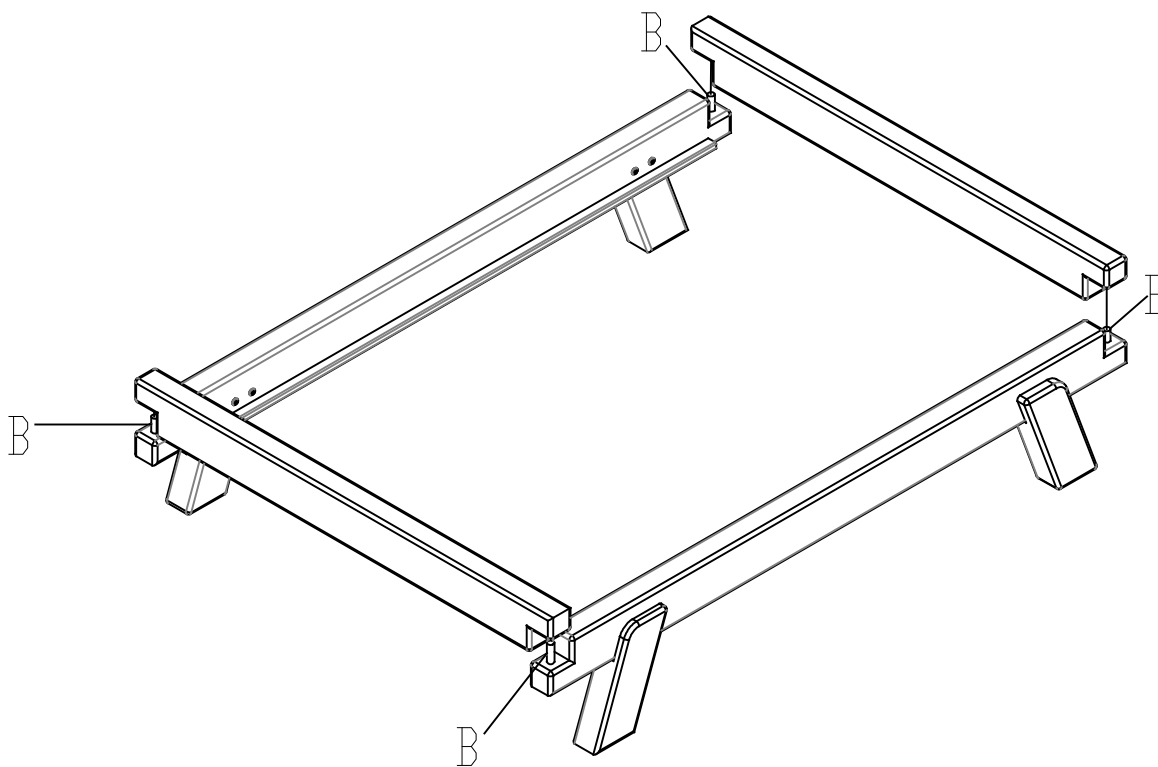


Ax8

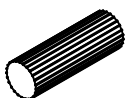


x1

2.

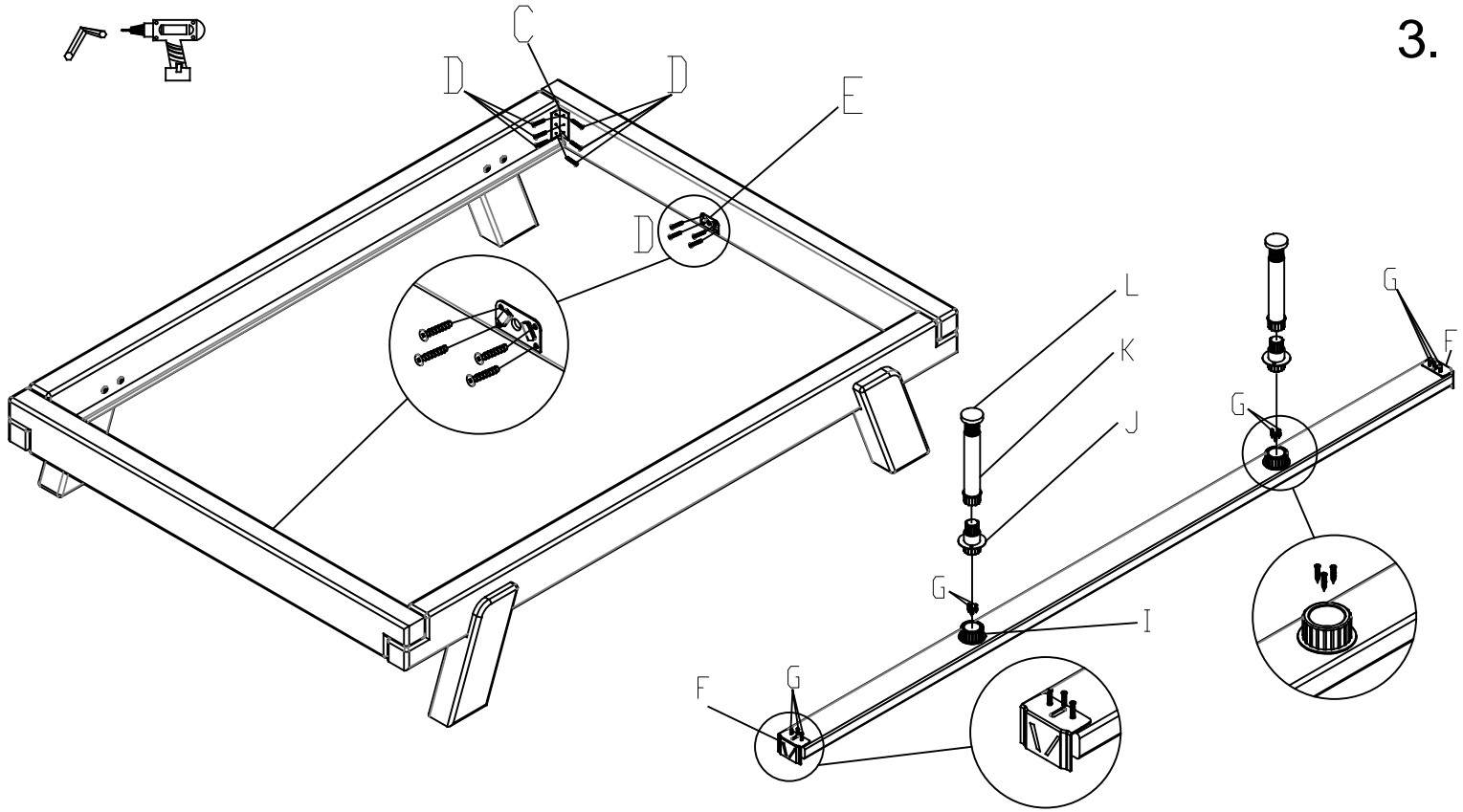


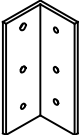

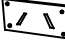



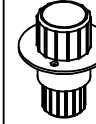

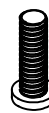
12x100



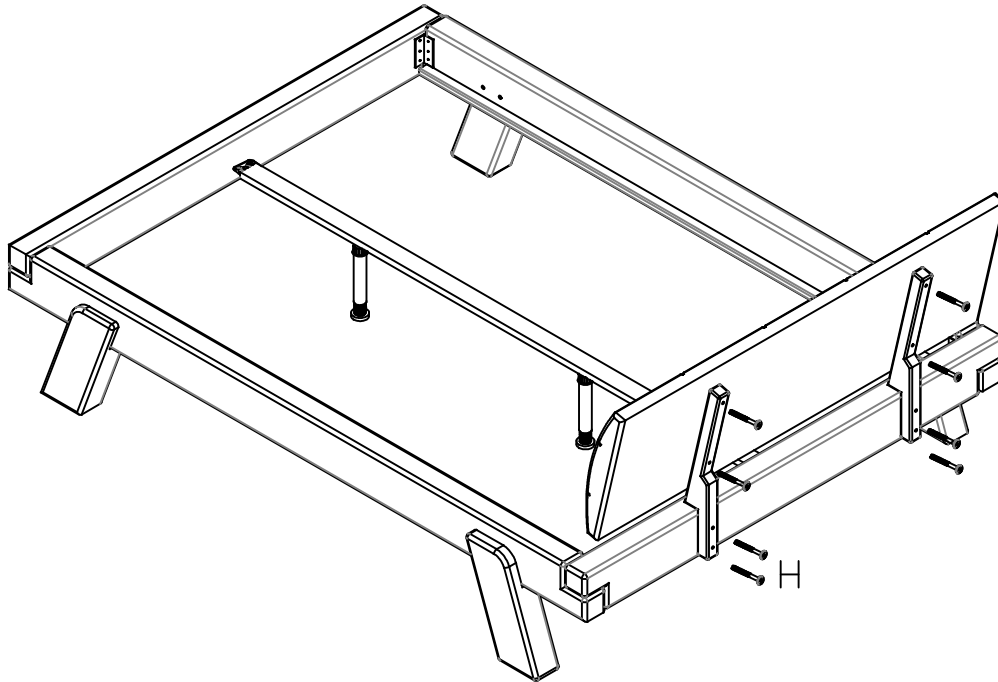
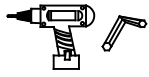
Bx4



3.



40x40x120  CX4	4x35  DX24	 E x 2	 F x 2	3,5X16  GX20	 Ix2	 Jx2	 Kx2	 Lx2
---	--	---	---	--	---	---	---	---

4.



6X60  Hx8	SW 4  x1
---	---