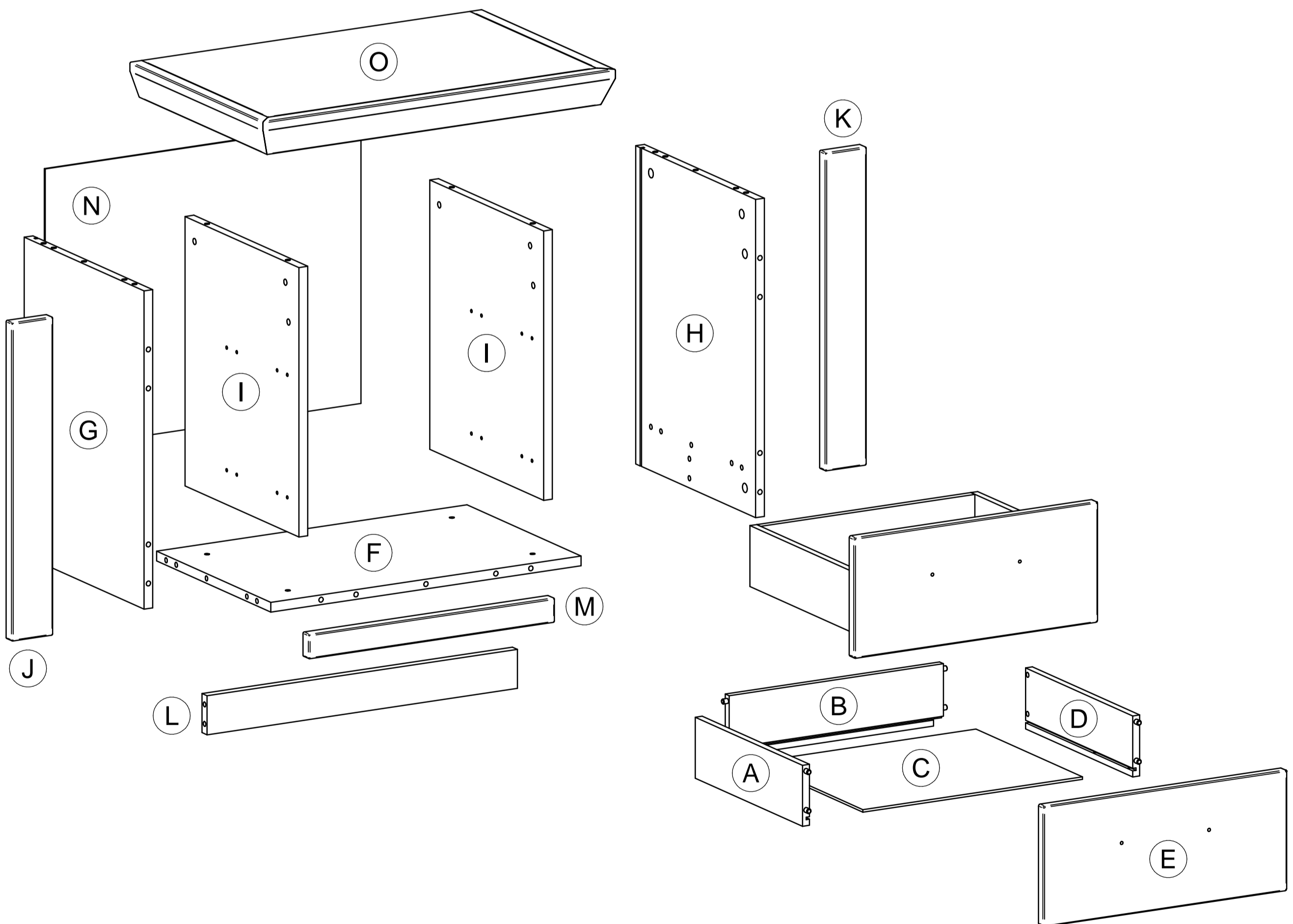
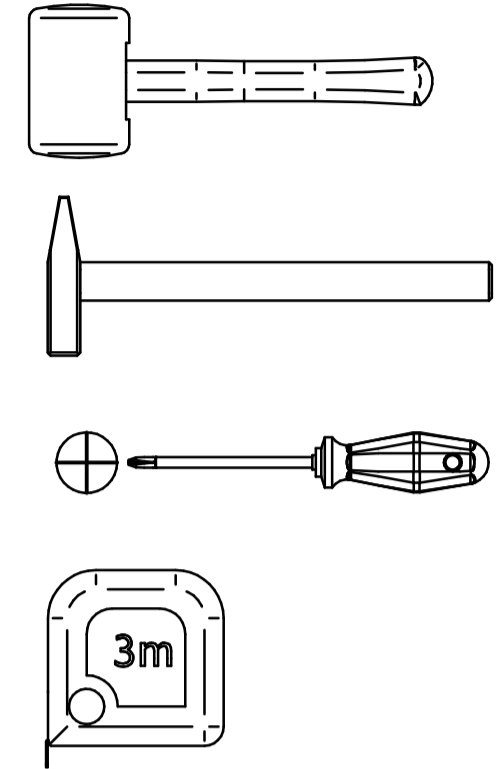
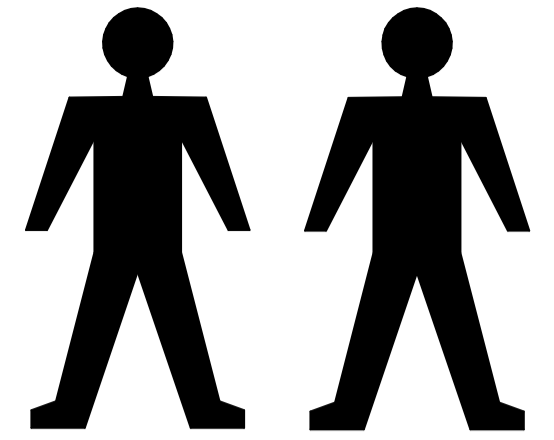
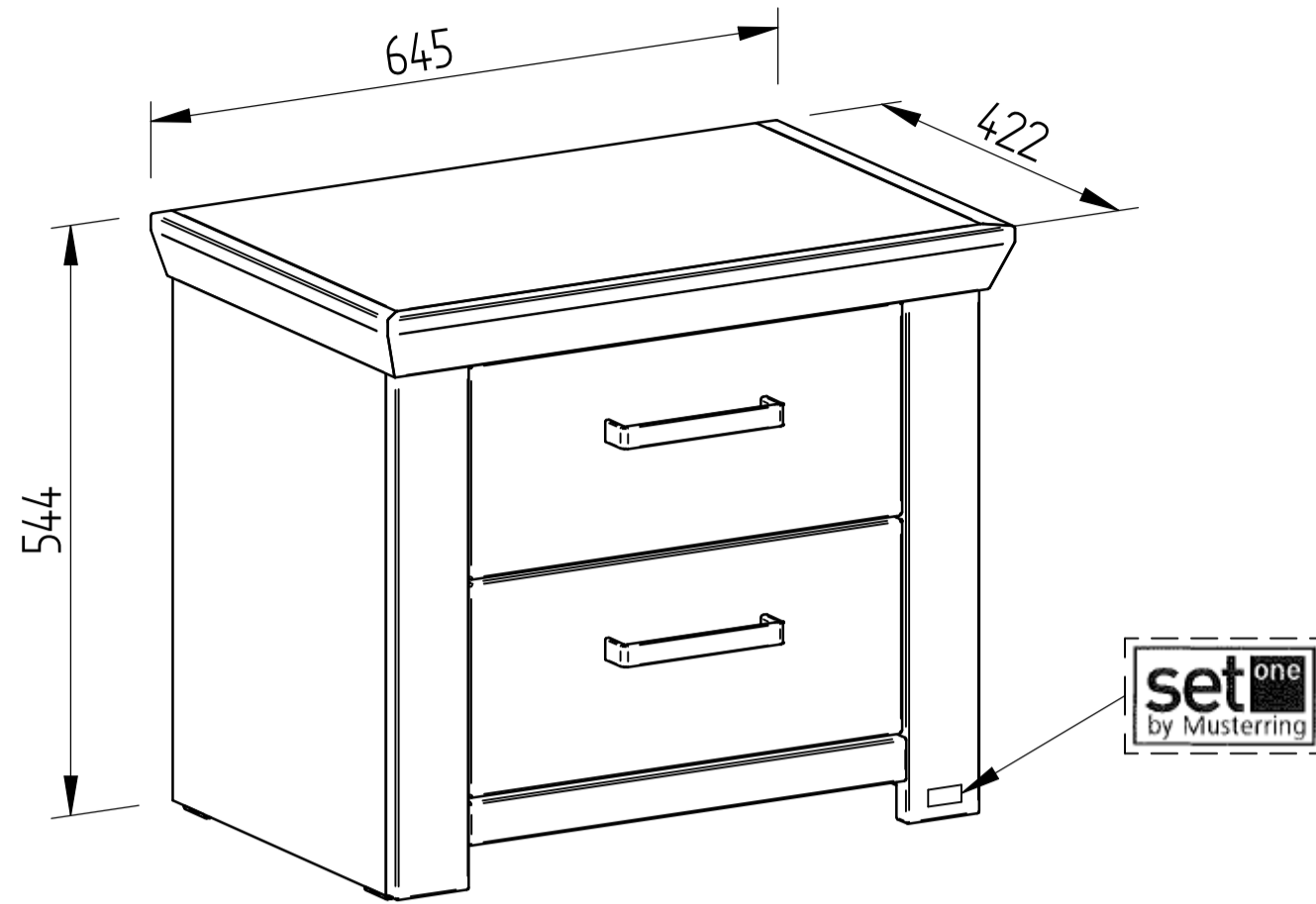
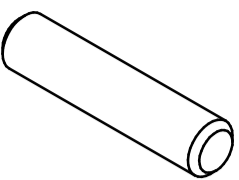
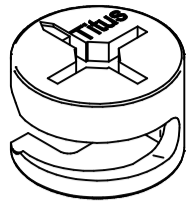
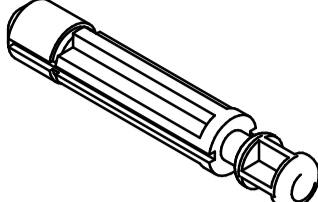

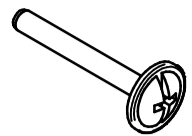
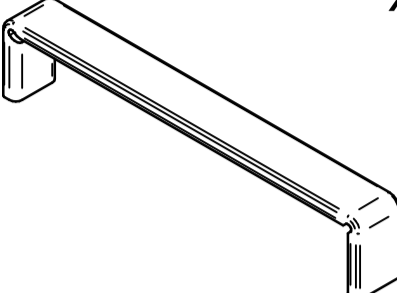
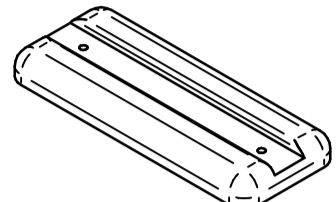
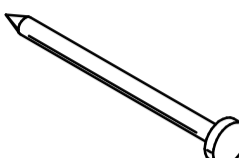
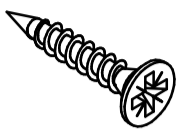
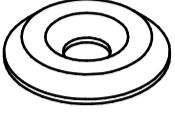
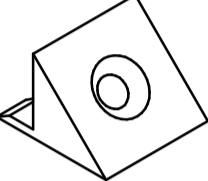
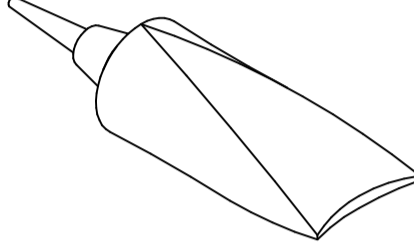
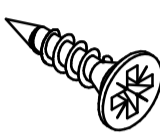
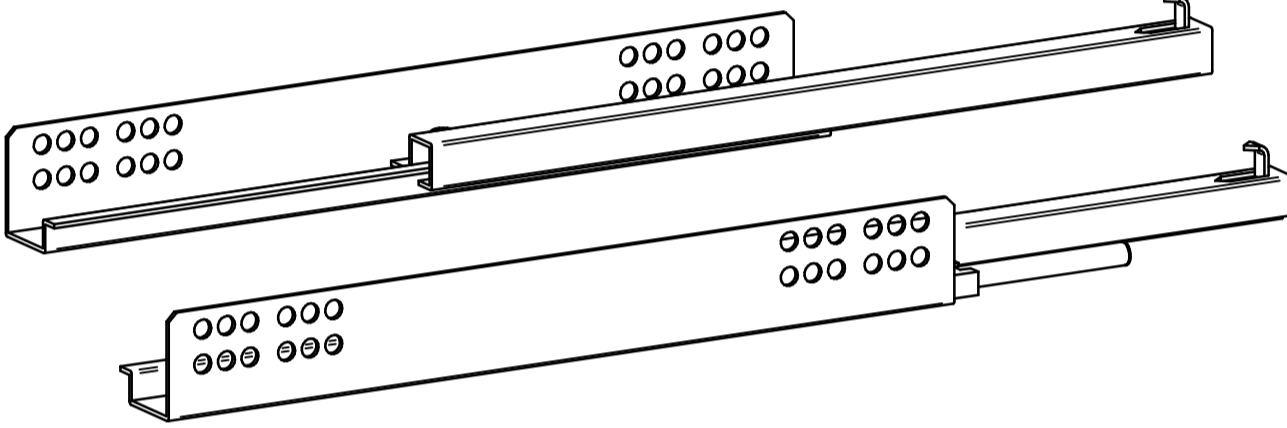
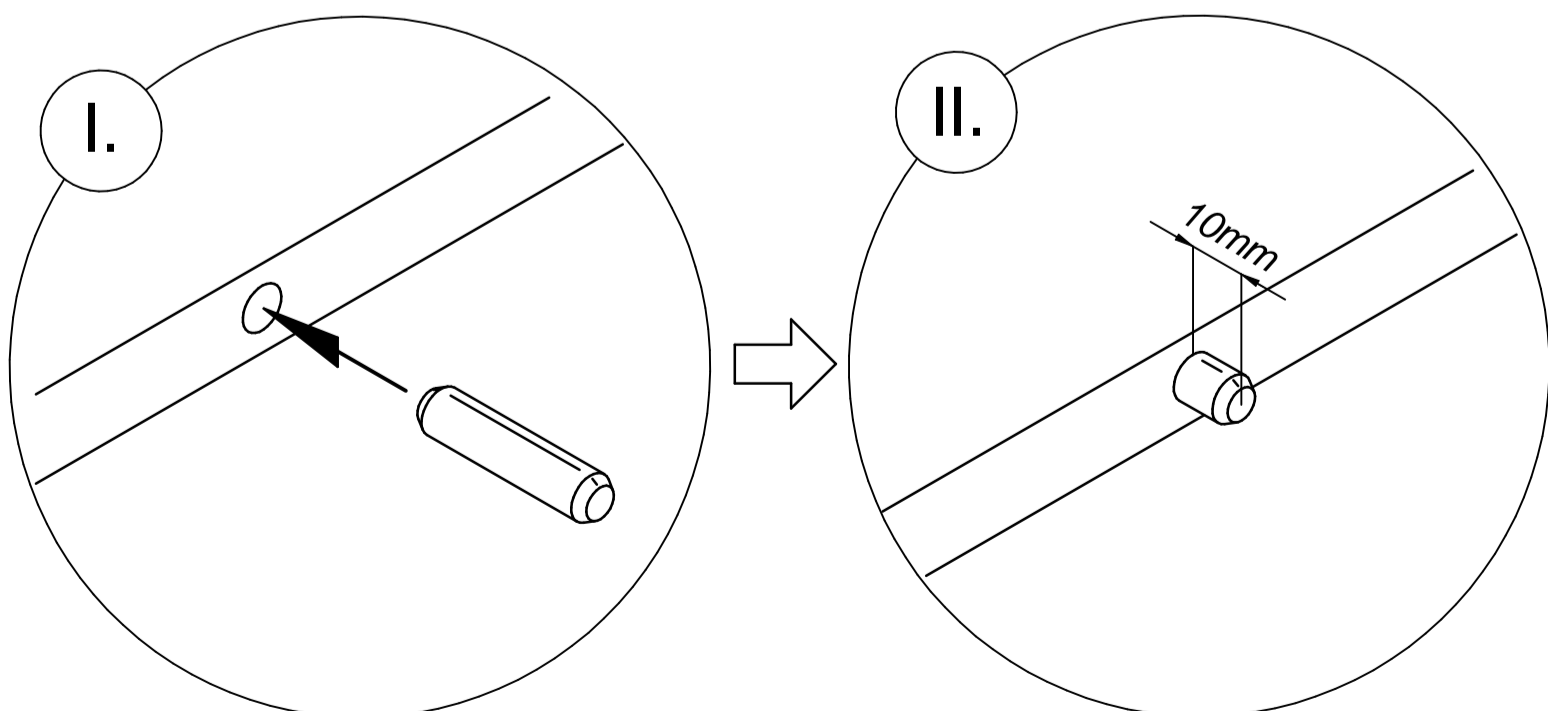
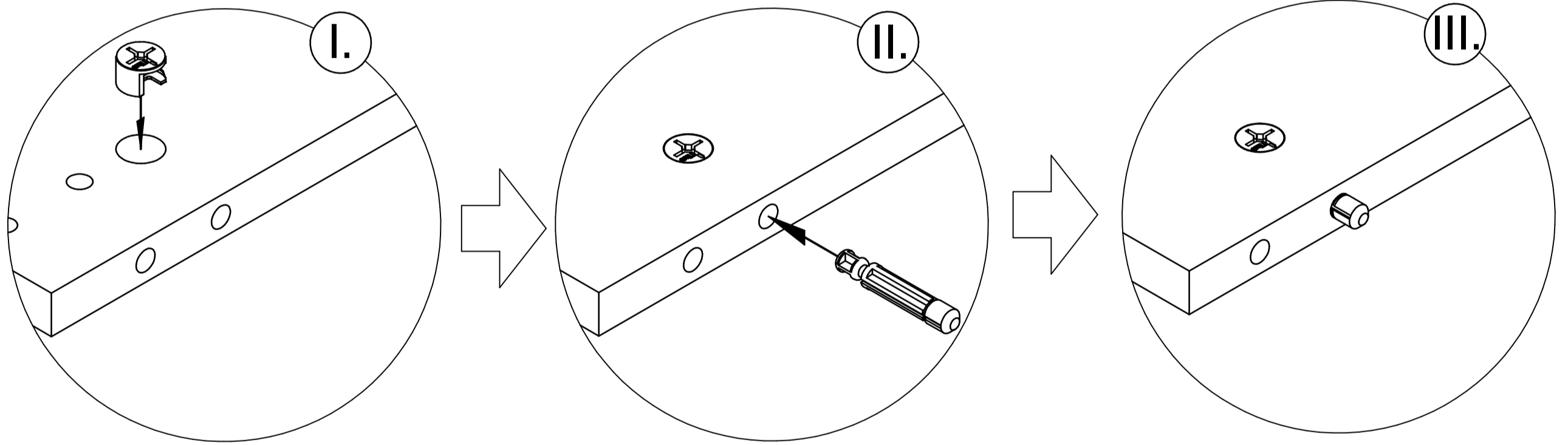


OAKLAND 68

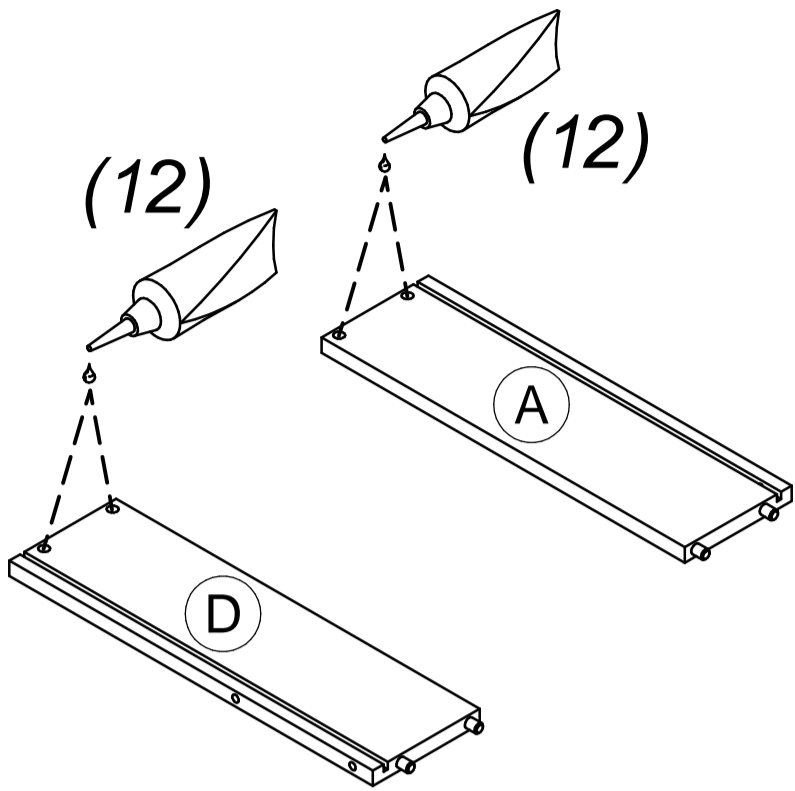
set^{one}
by Musterring



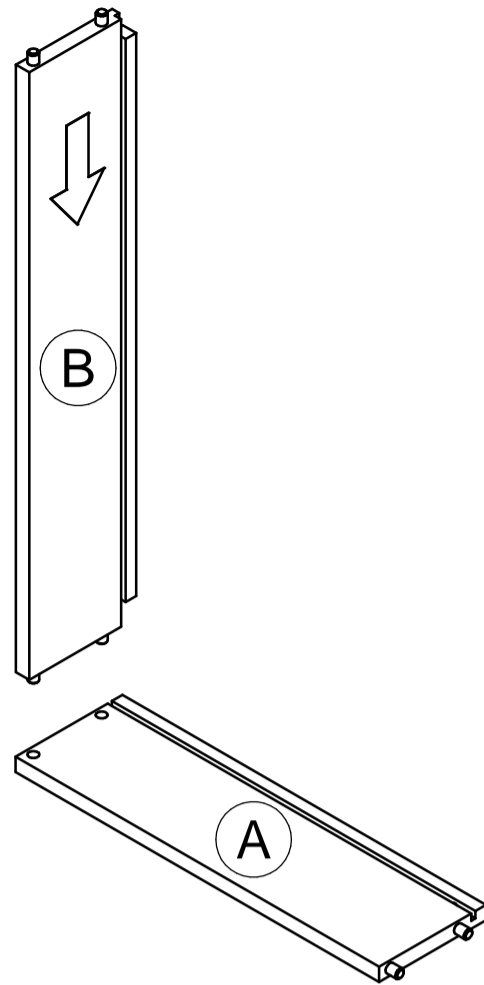
1 $\varnothing 8 \times 35$ x31 	2 $\varnothing 15$ x14 	3 $\varnothing 8$ x14 	4 x8 	5 M4x20 x4 
6 x2 	7 x6 	8 $\varnothing 1,2 \times 20$ x12 	9 $\varnothing 3,5 \times 20$ x17 	10 $\varnothing 12$ x3 
11 x14 	12 x1 	13 $\varnothing 3 \times 15$ x4 		
14 2+2 				



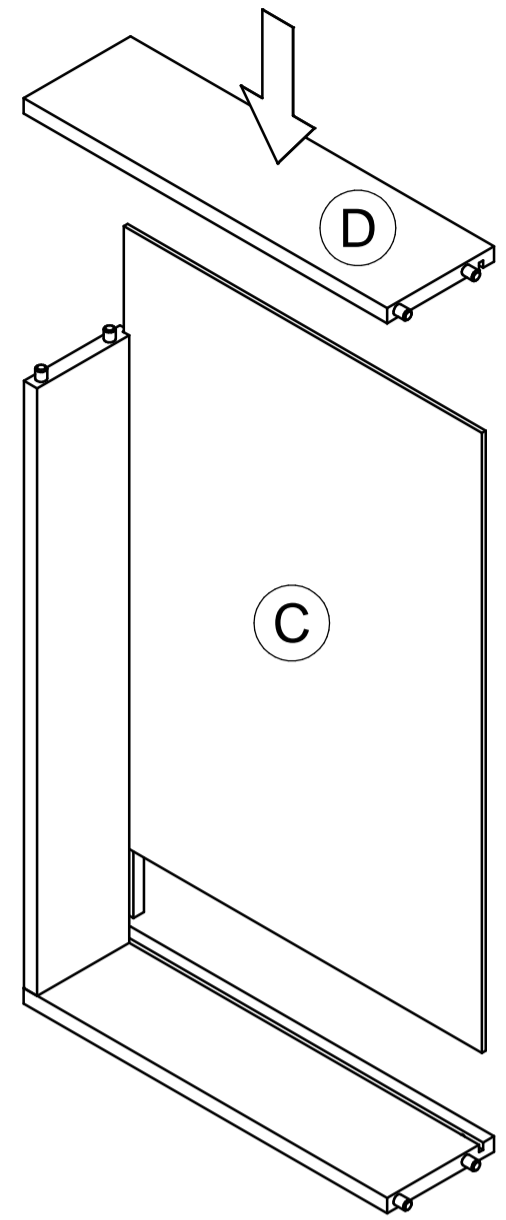
1 1.1



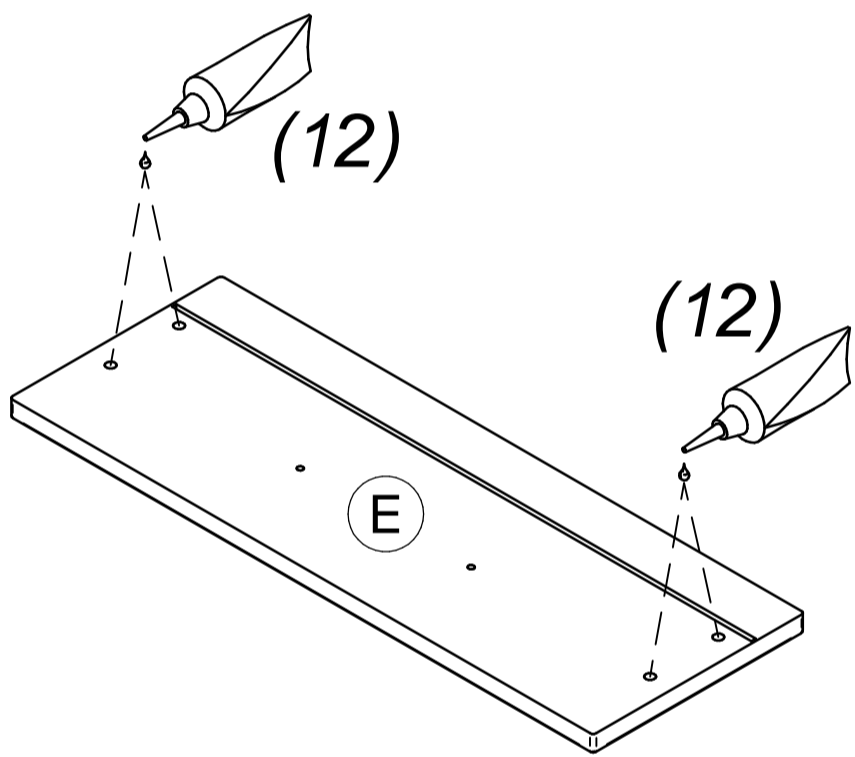
1.2



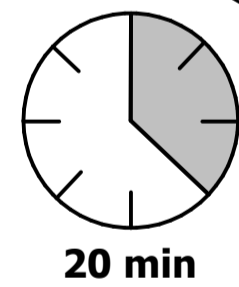
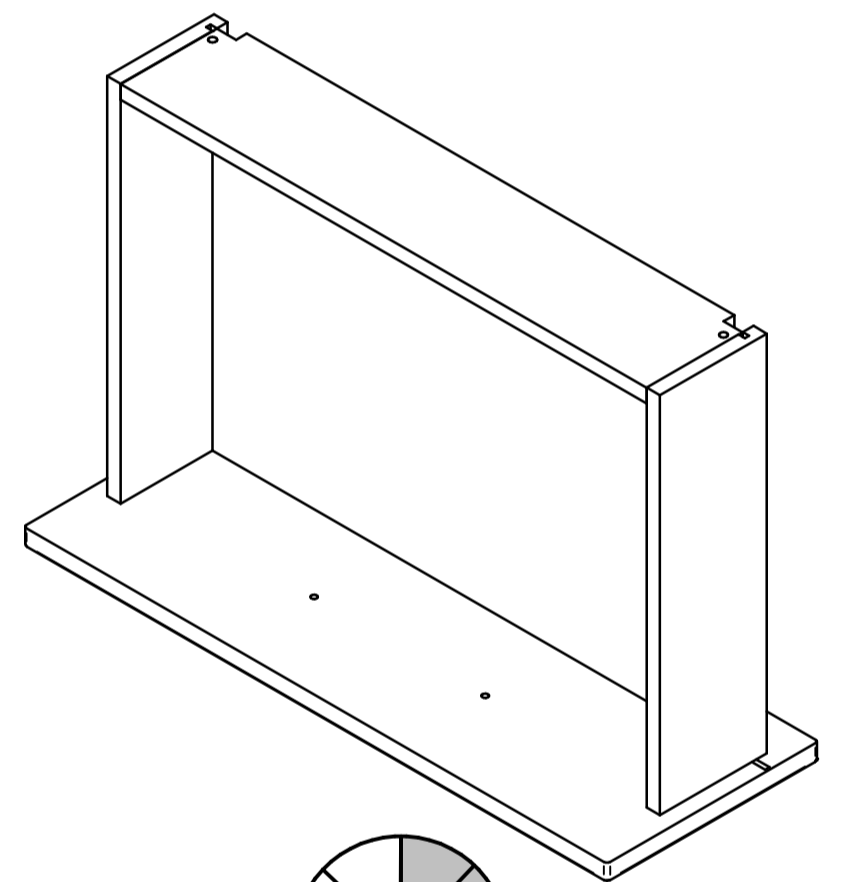
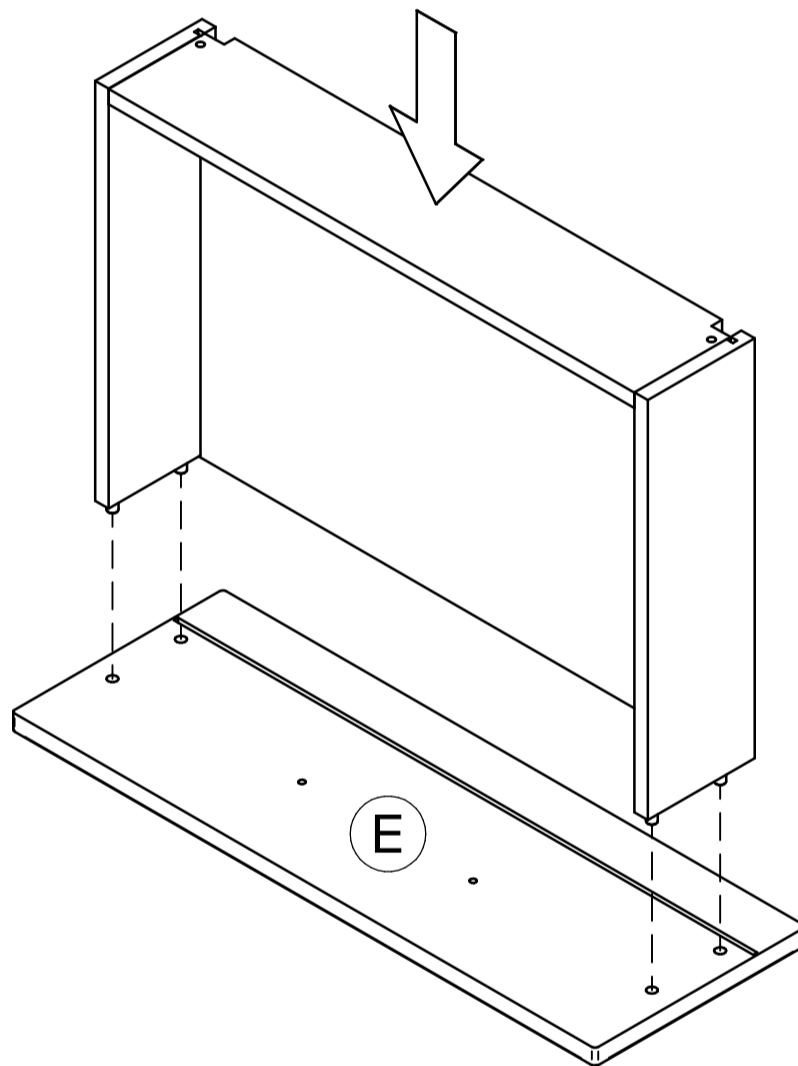
1.3



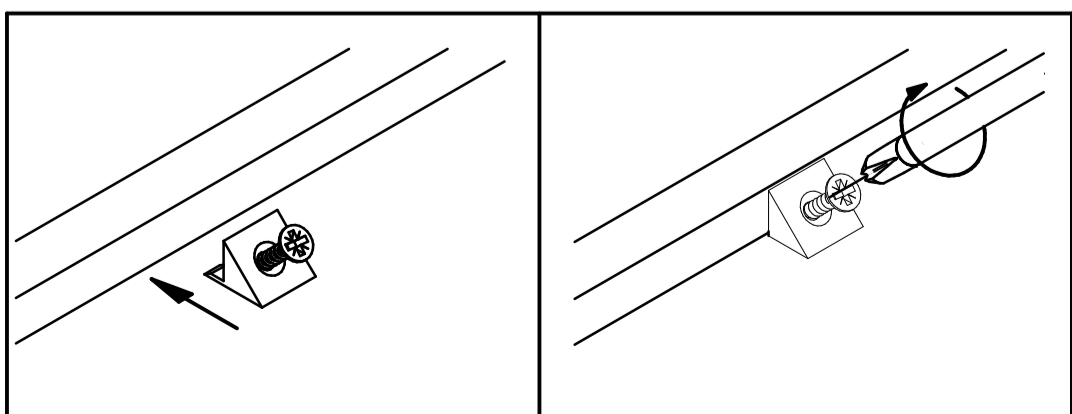
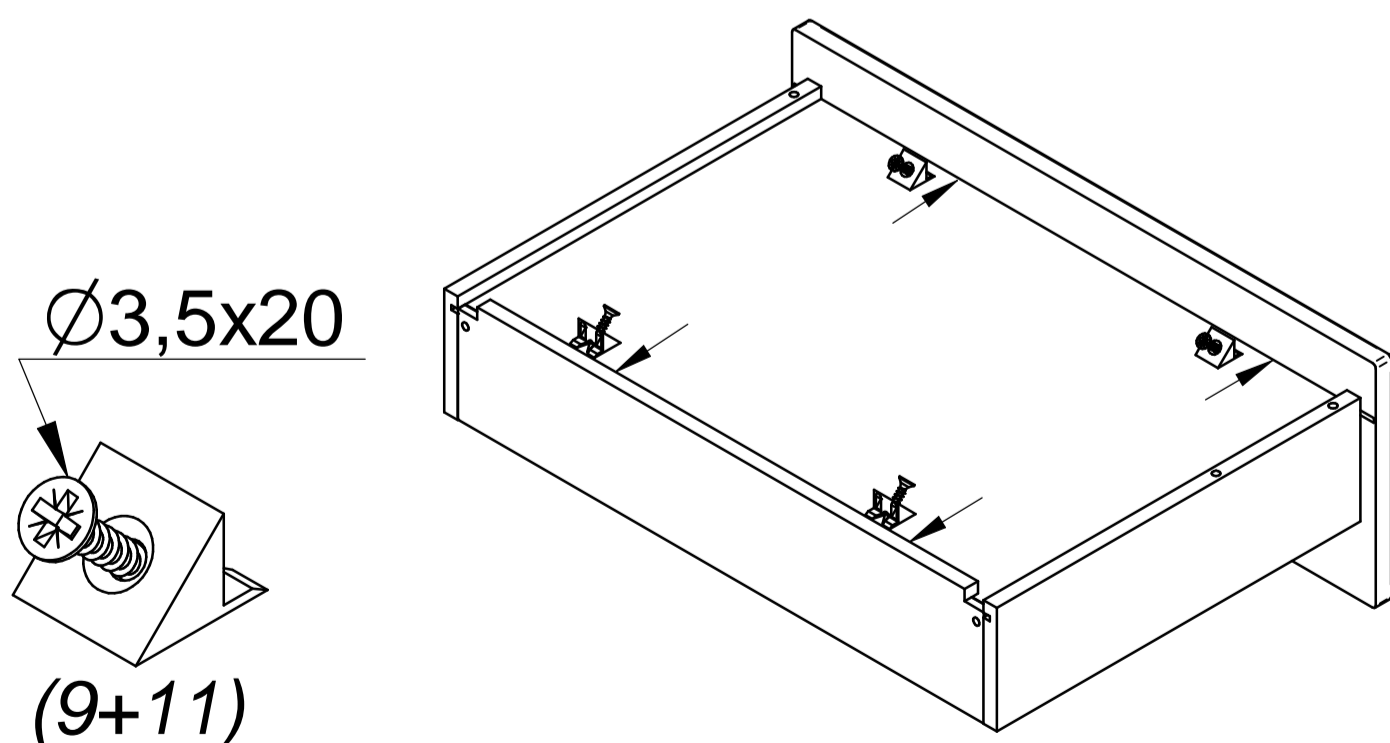
1.4



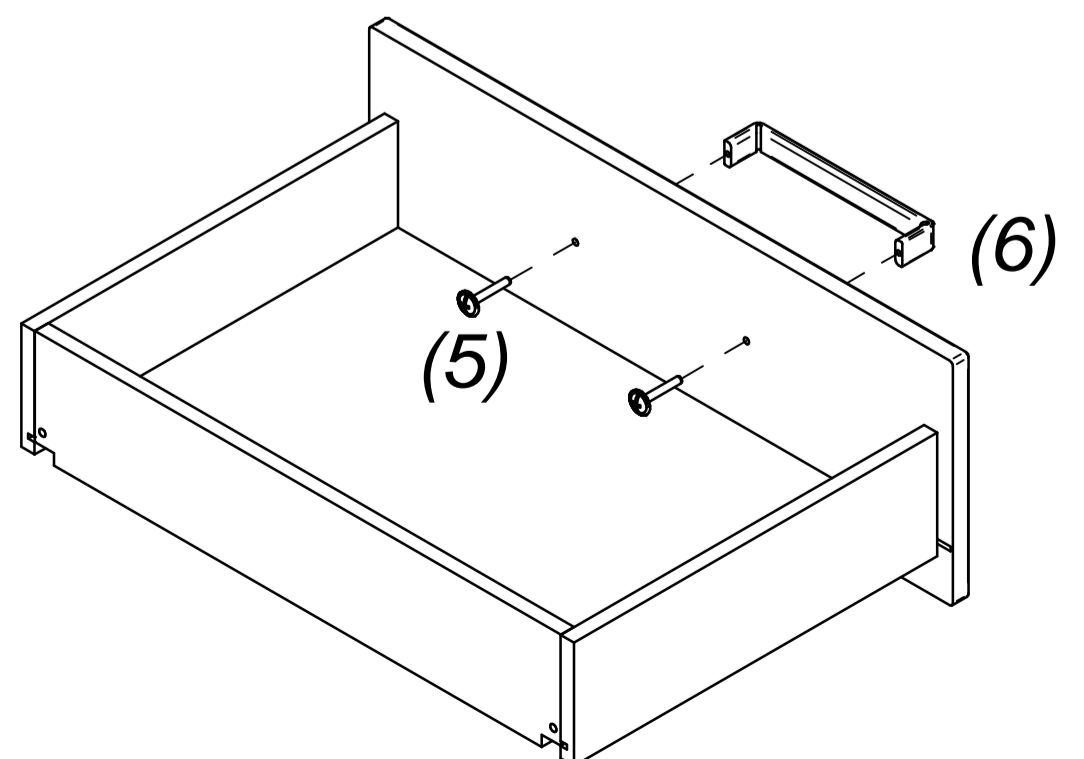
1.5



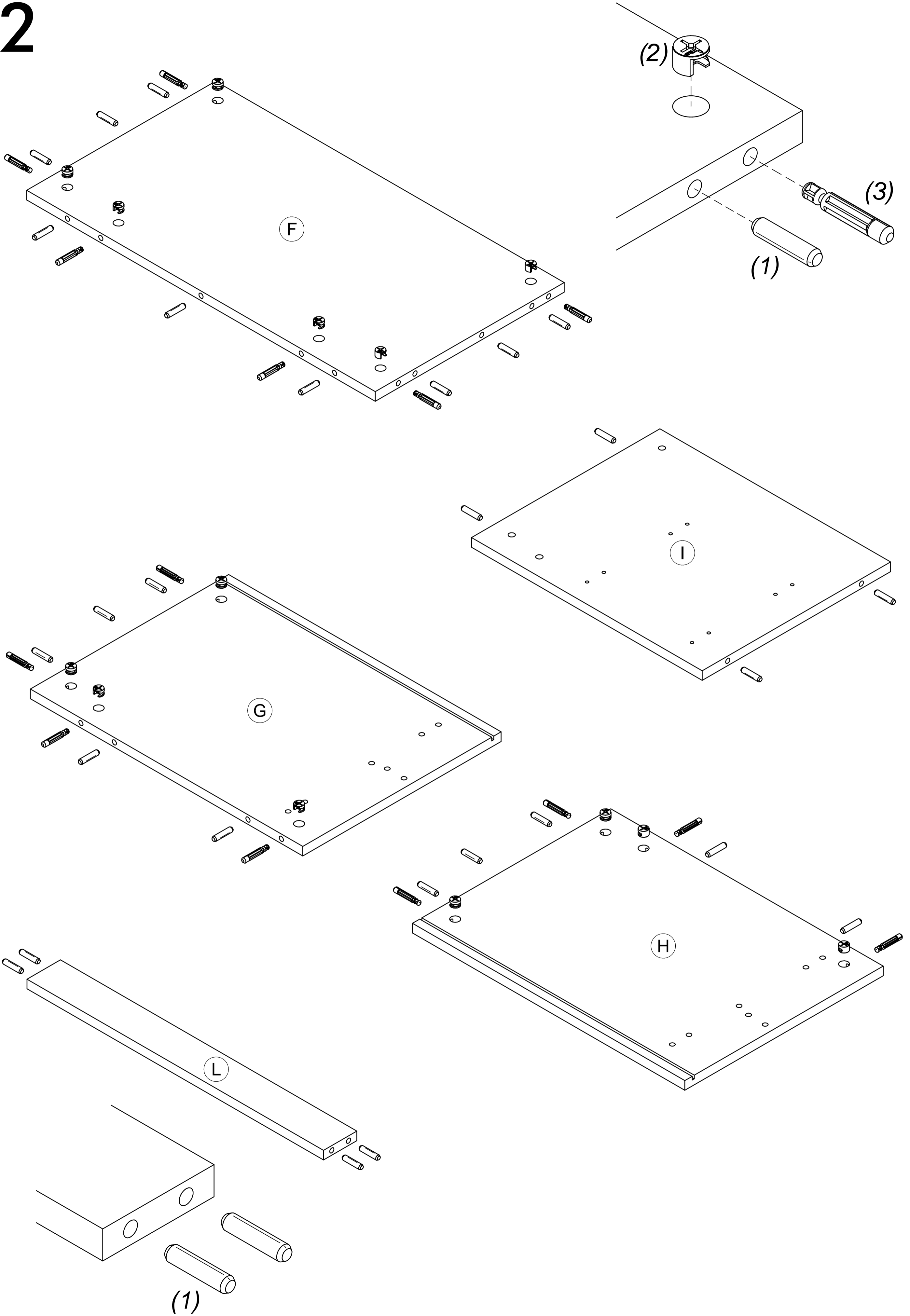
1.6



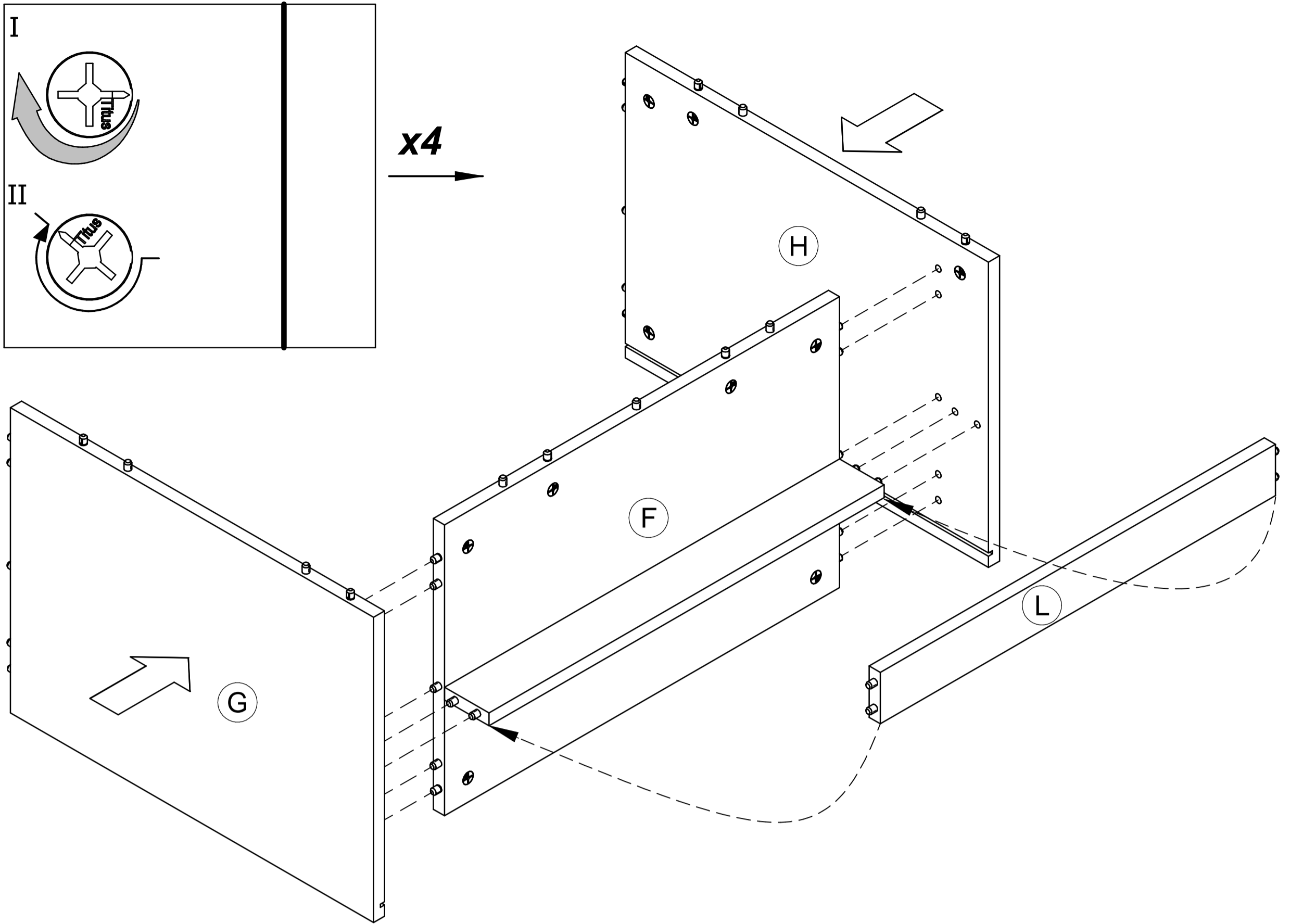
1.7



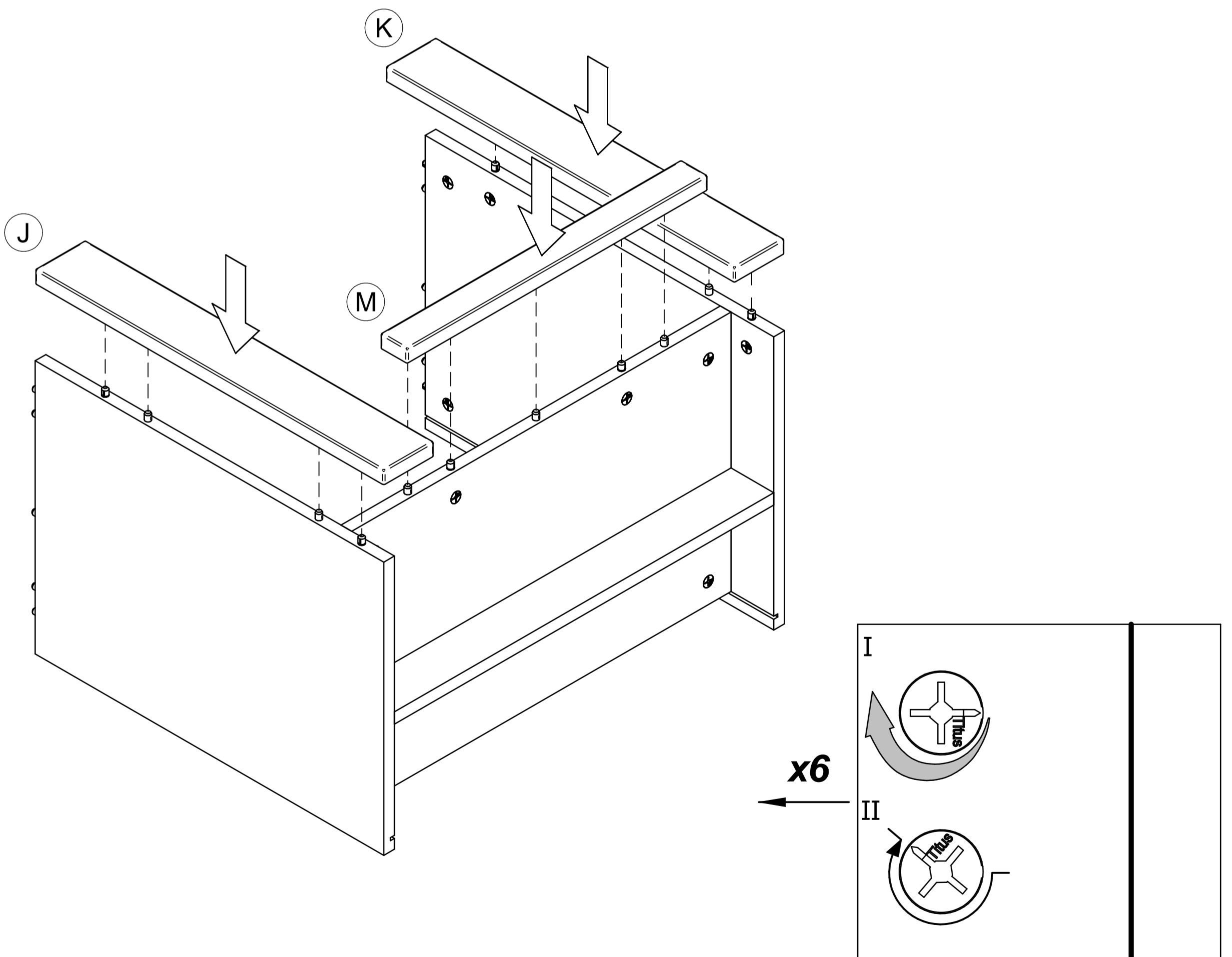
2



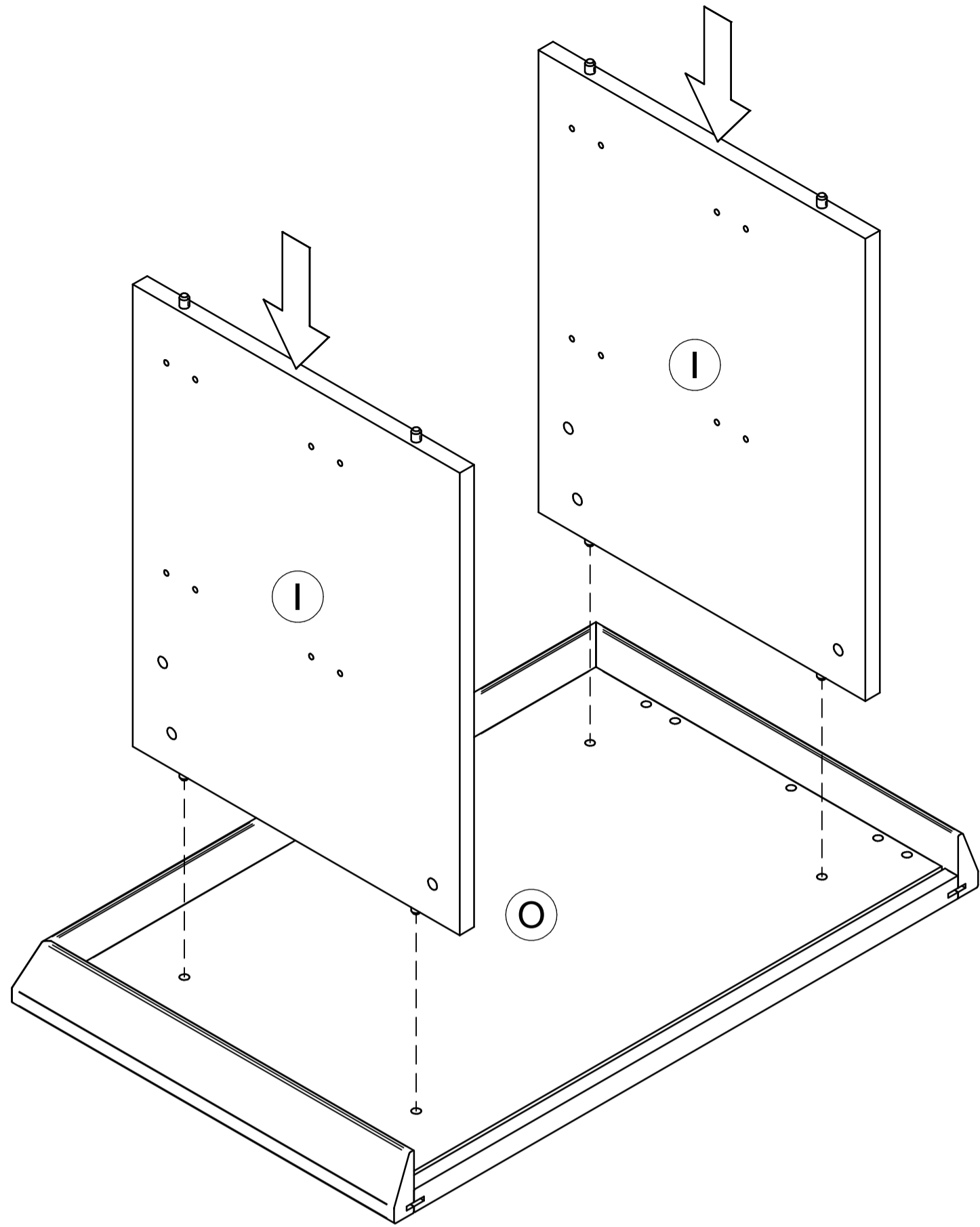
3



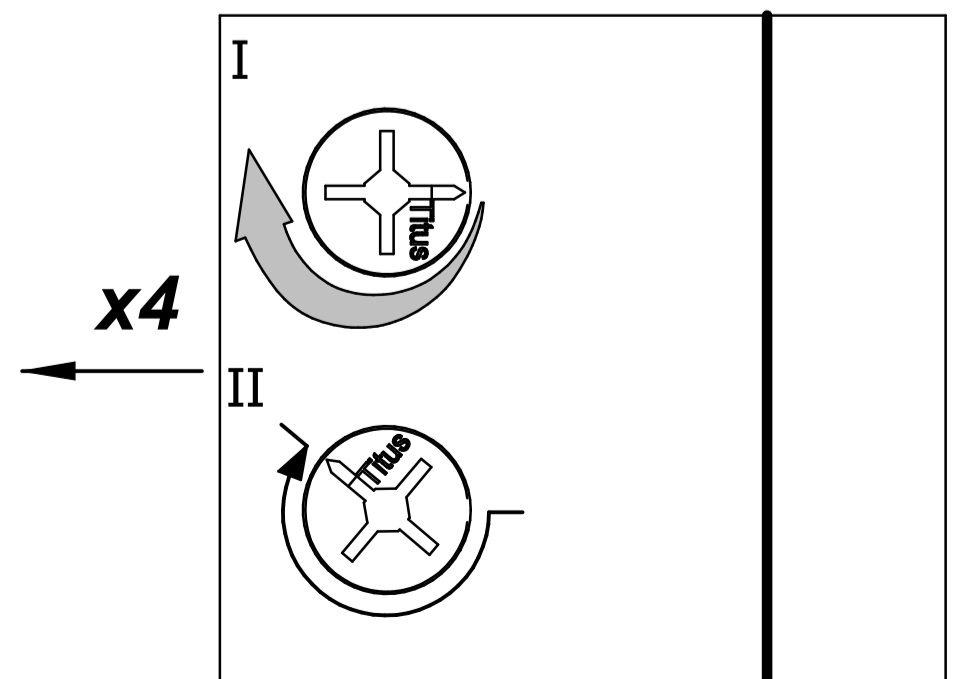
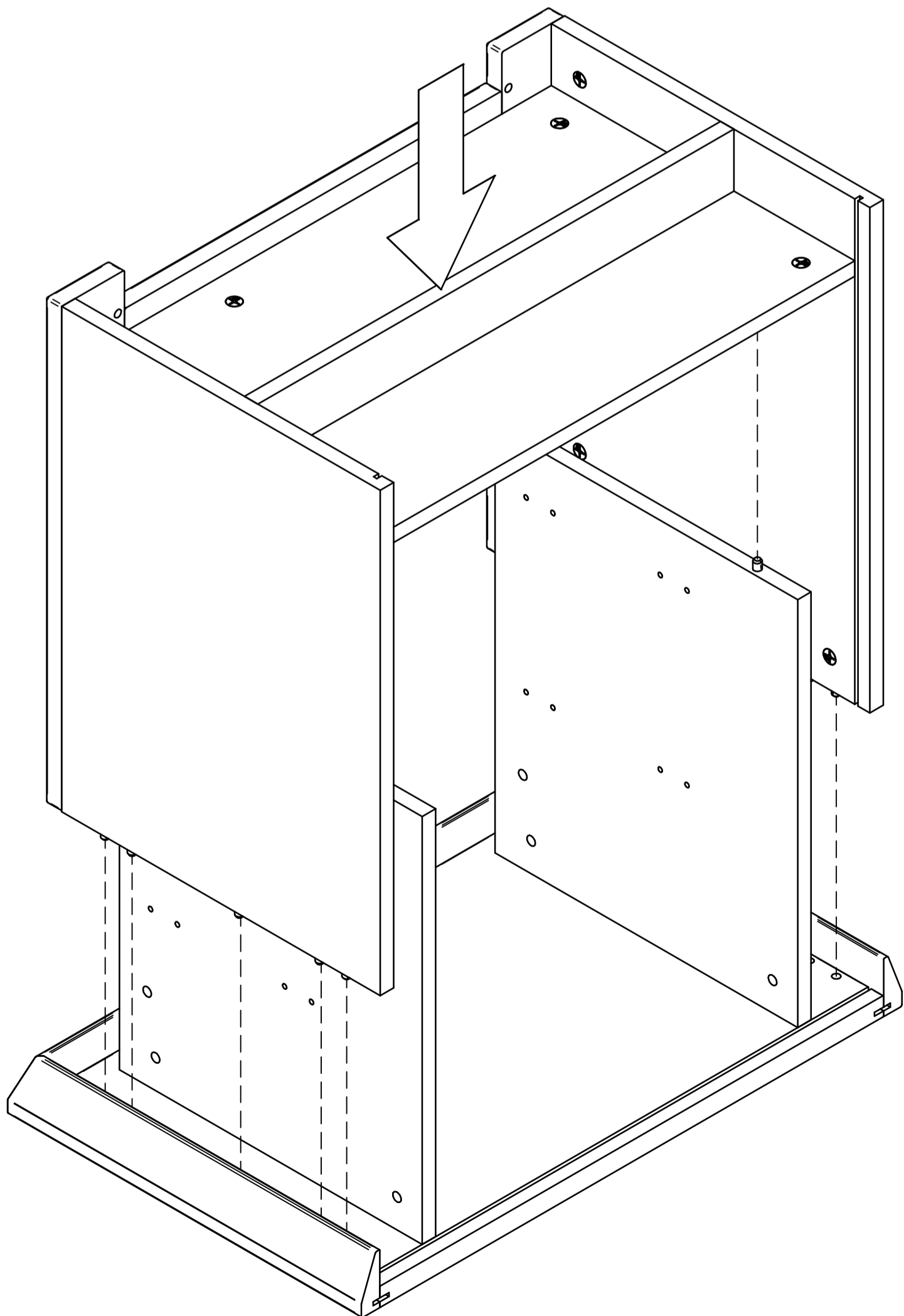
4



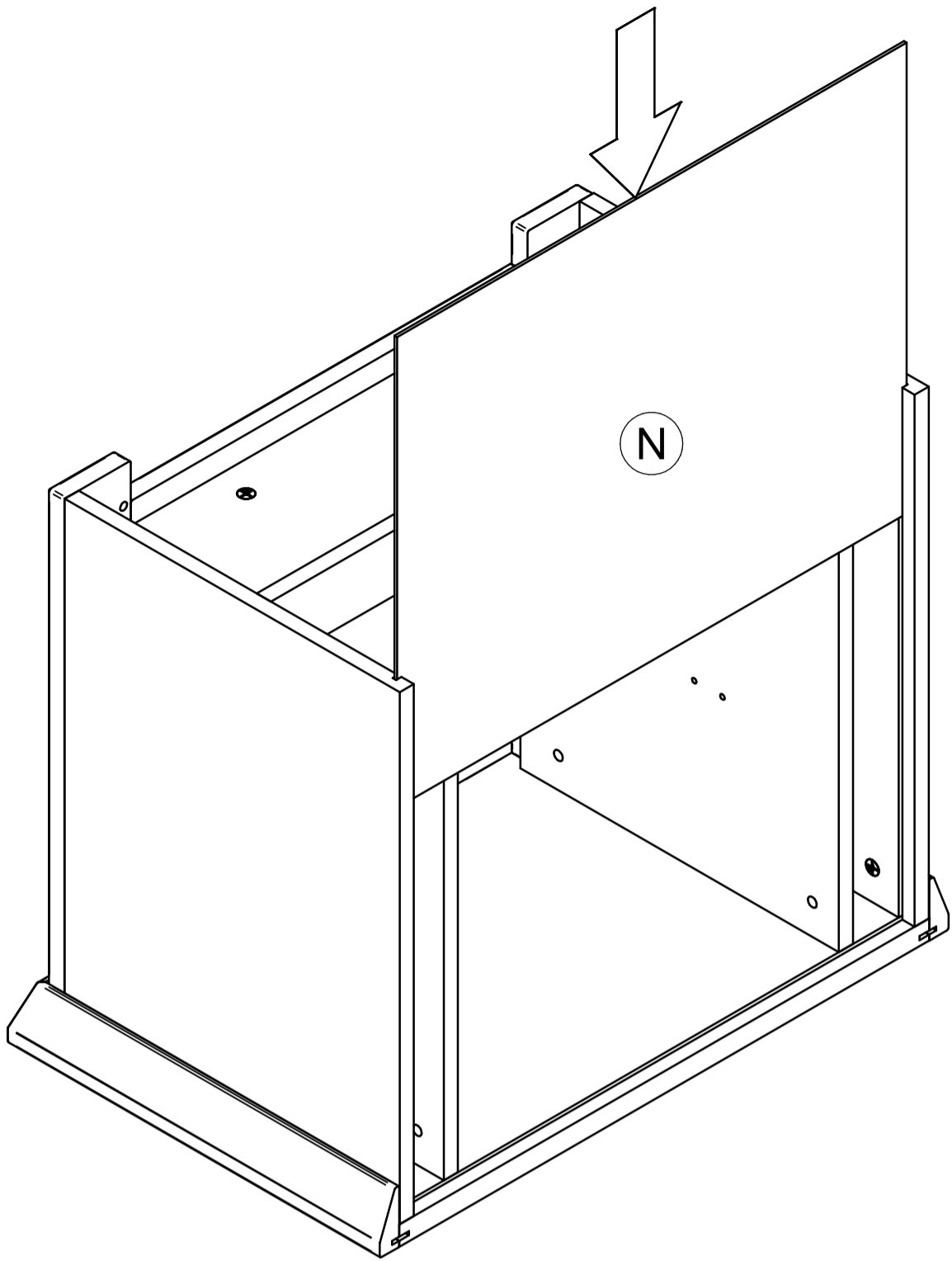
5



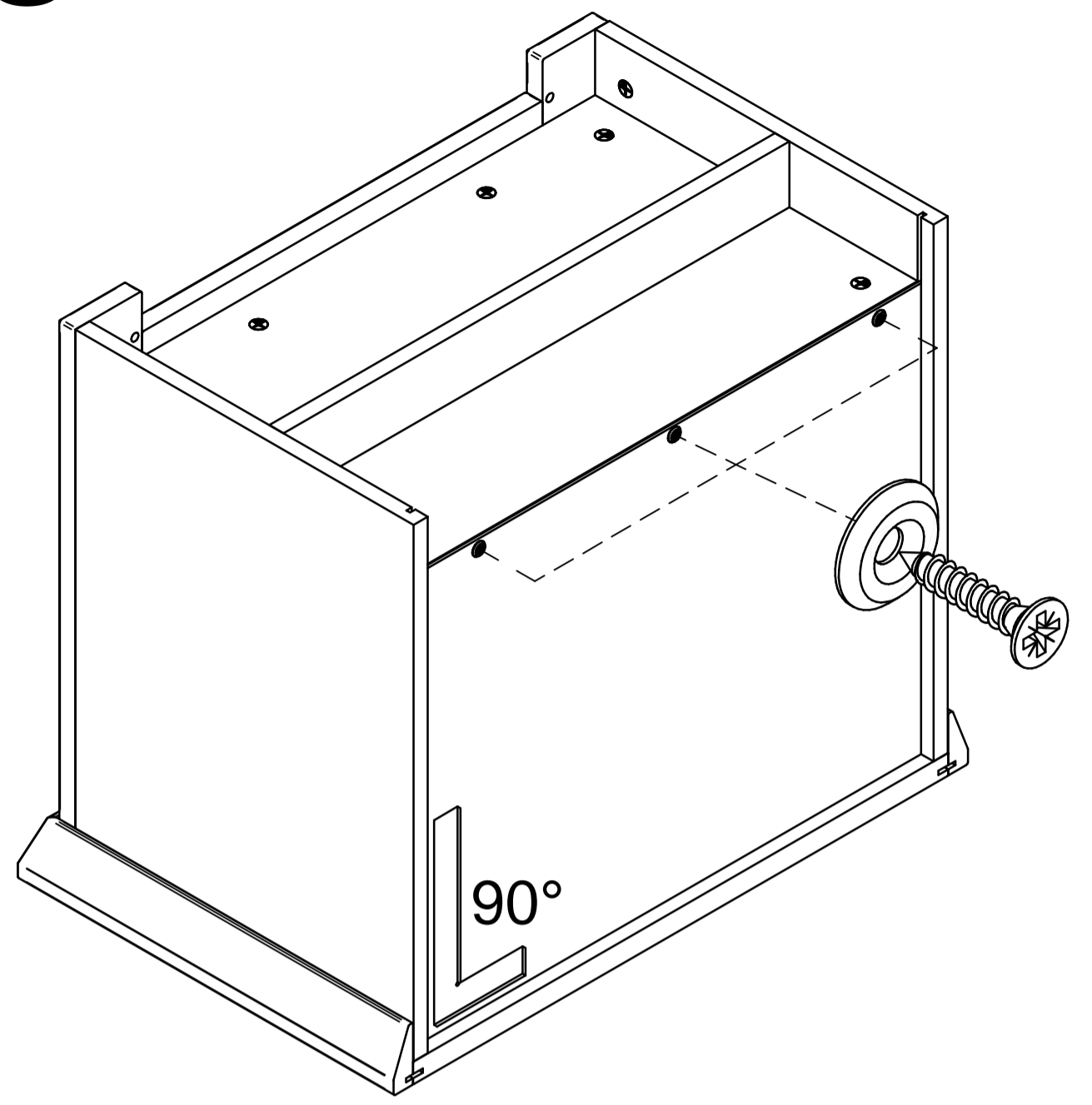
6



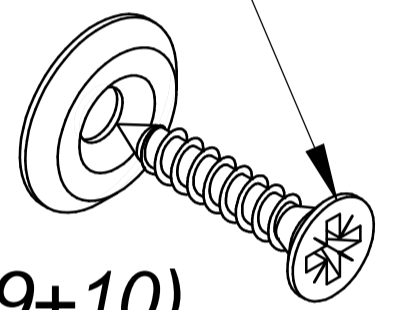
7



8

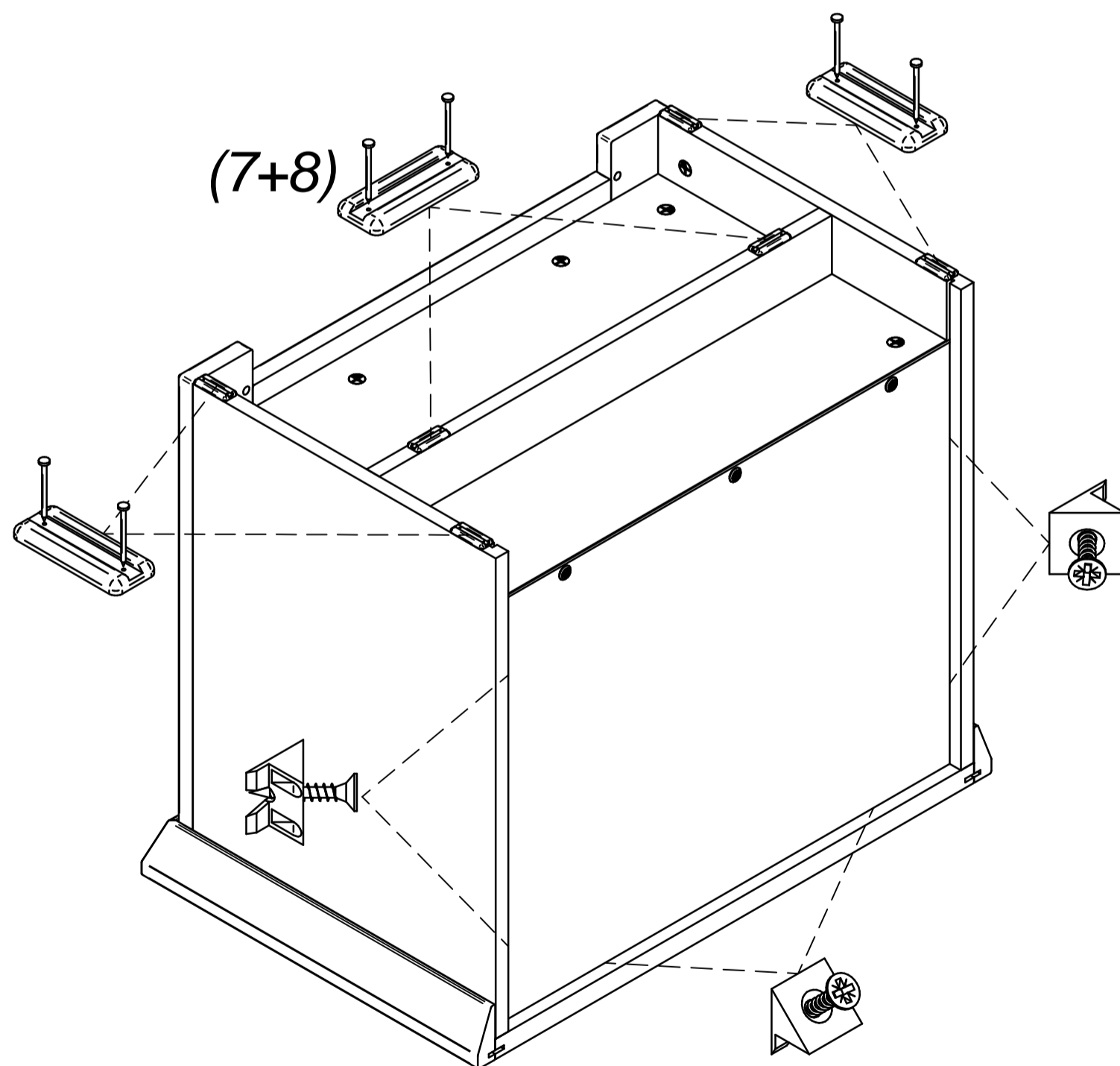


Ø3,5x20

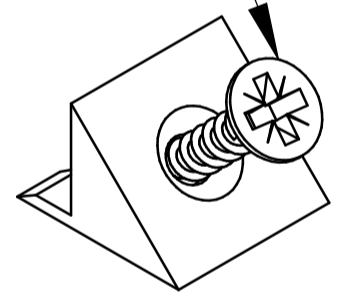


(9+10)

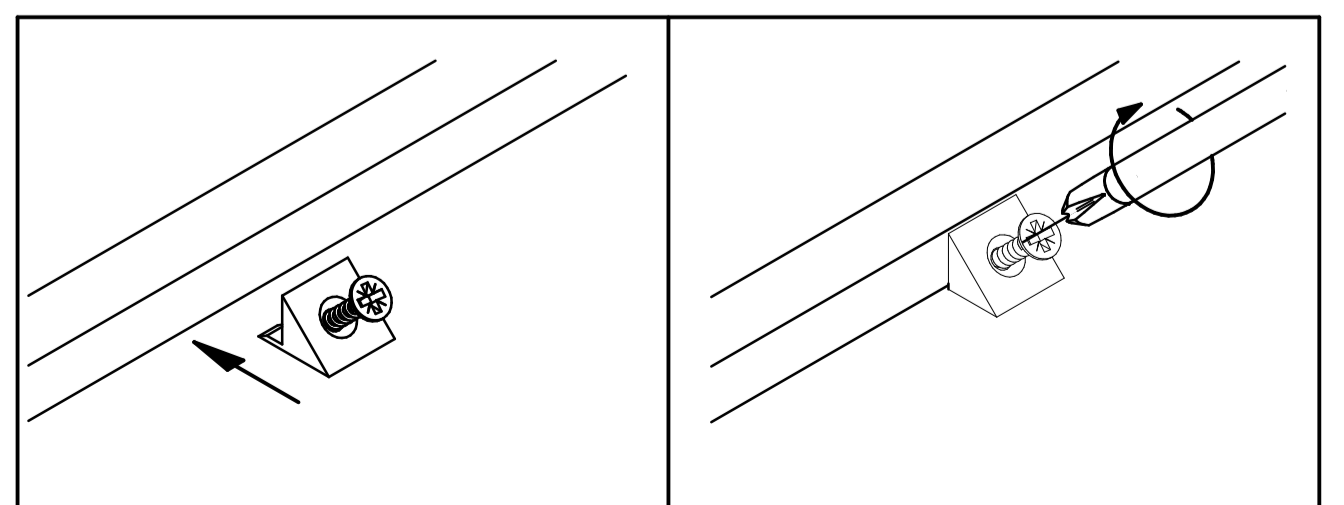
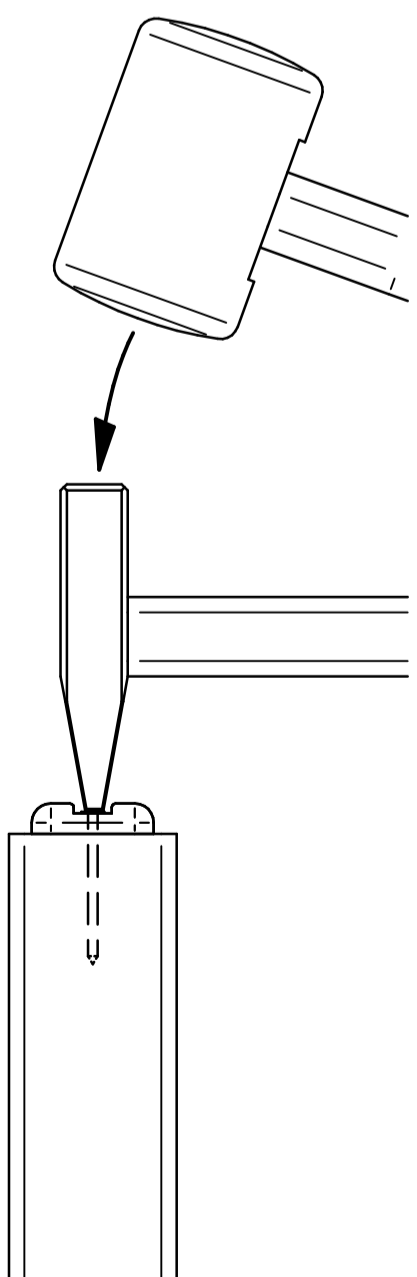
9



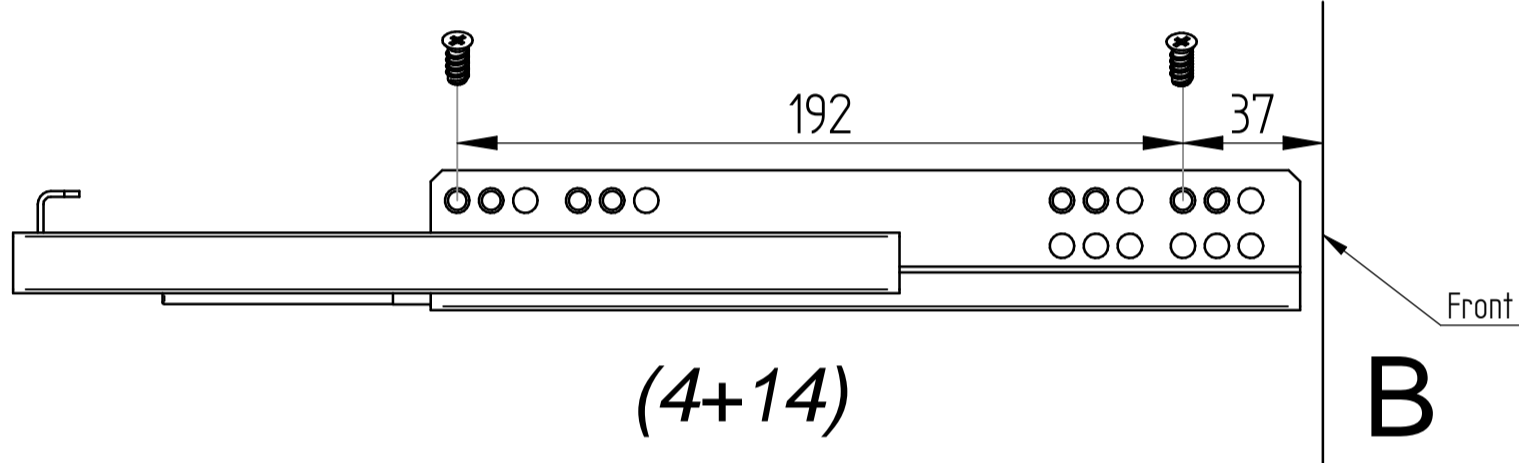
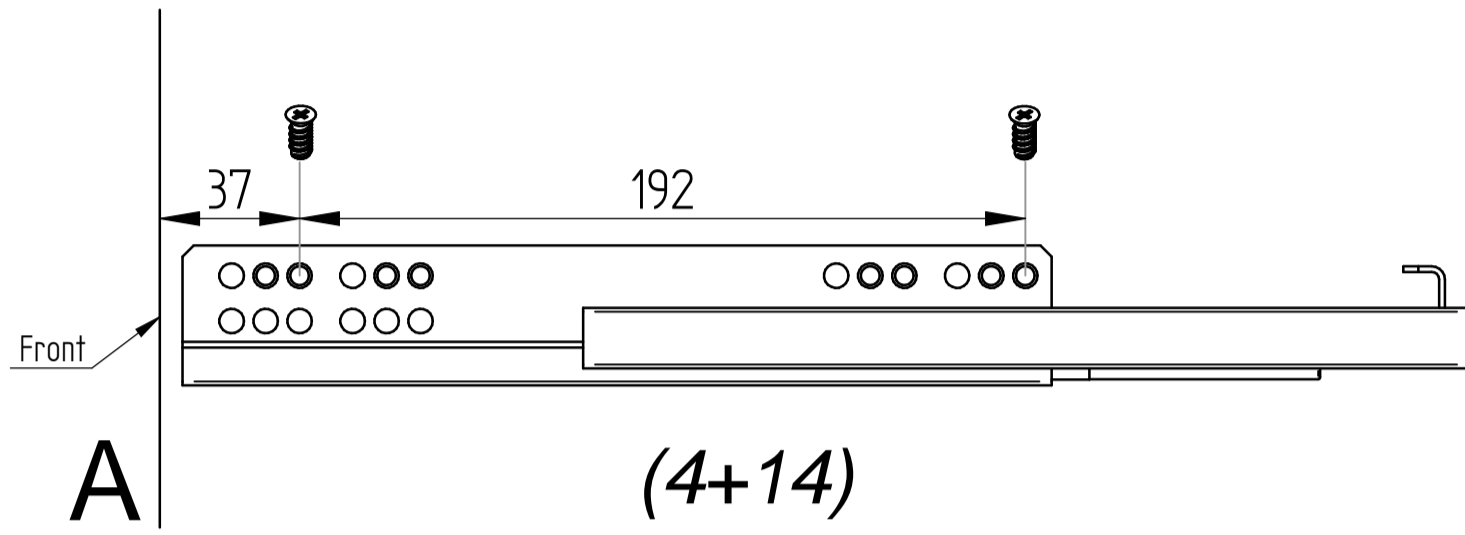
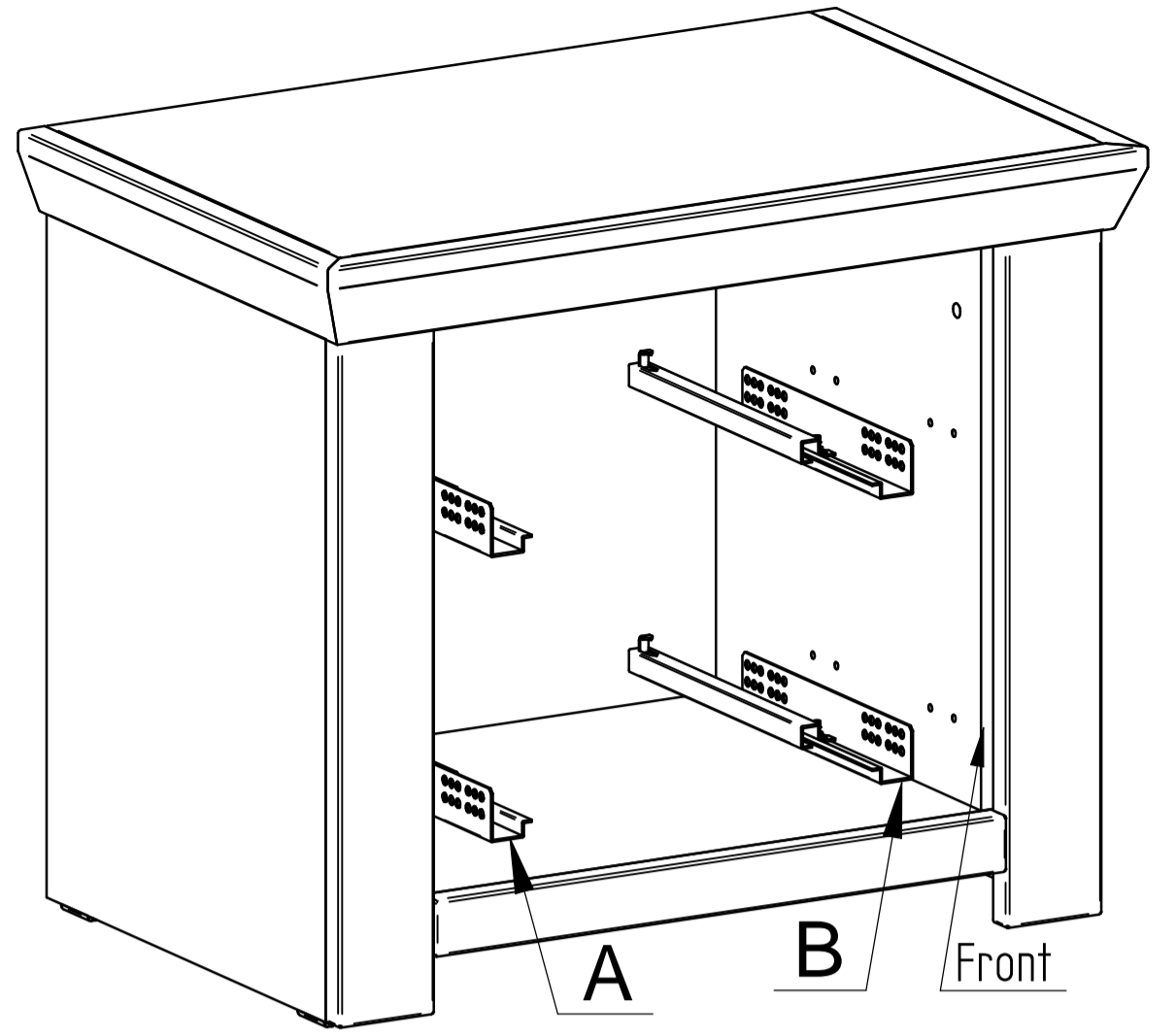
Ø3,5x20



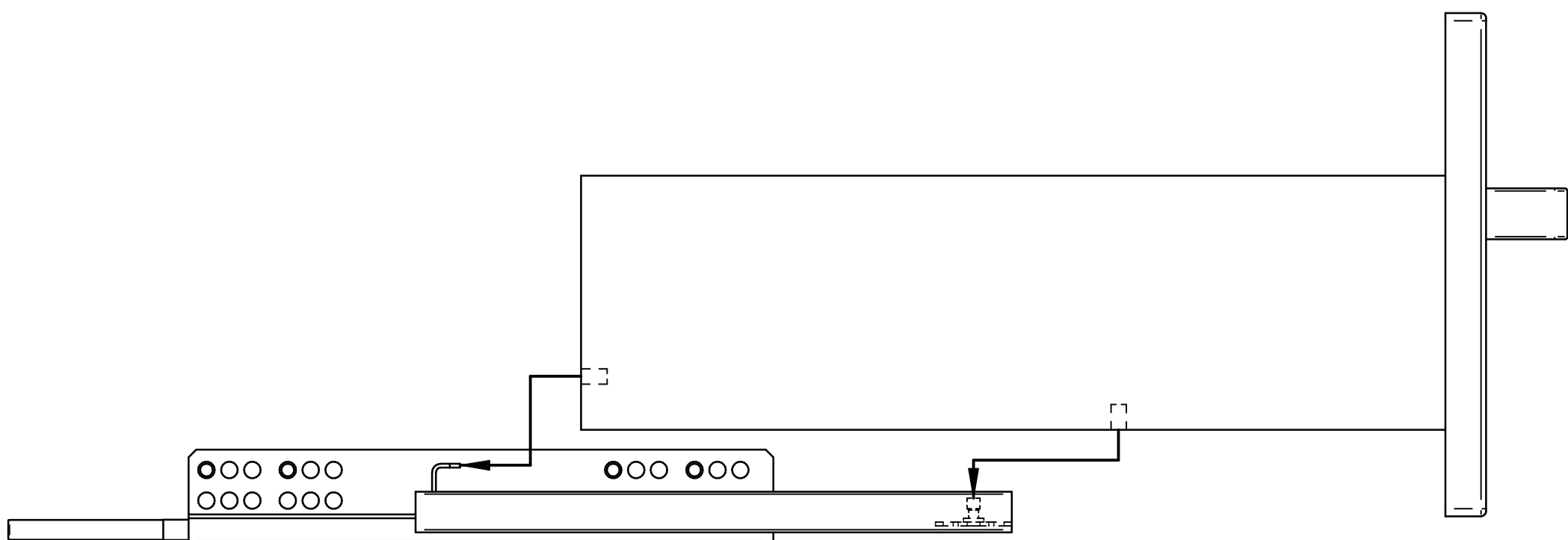
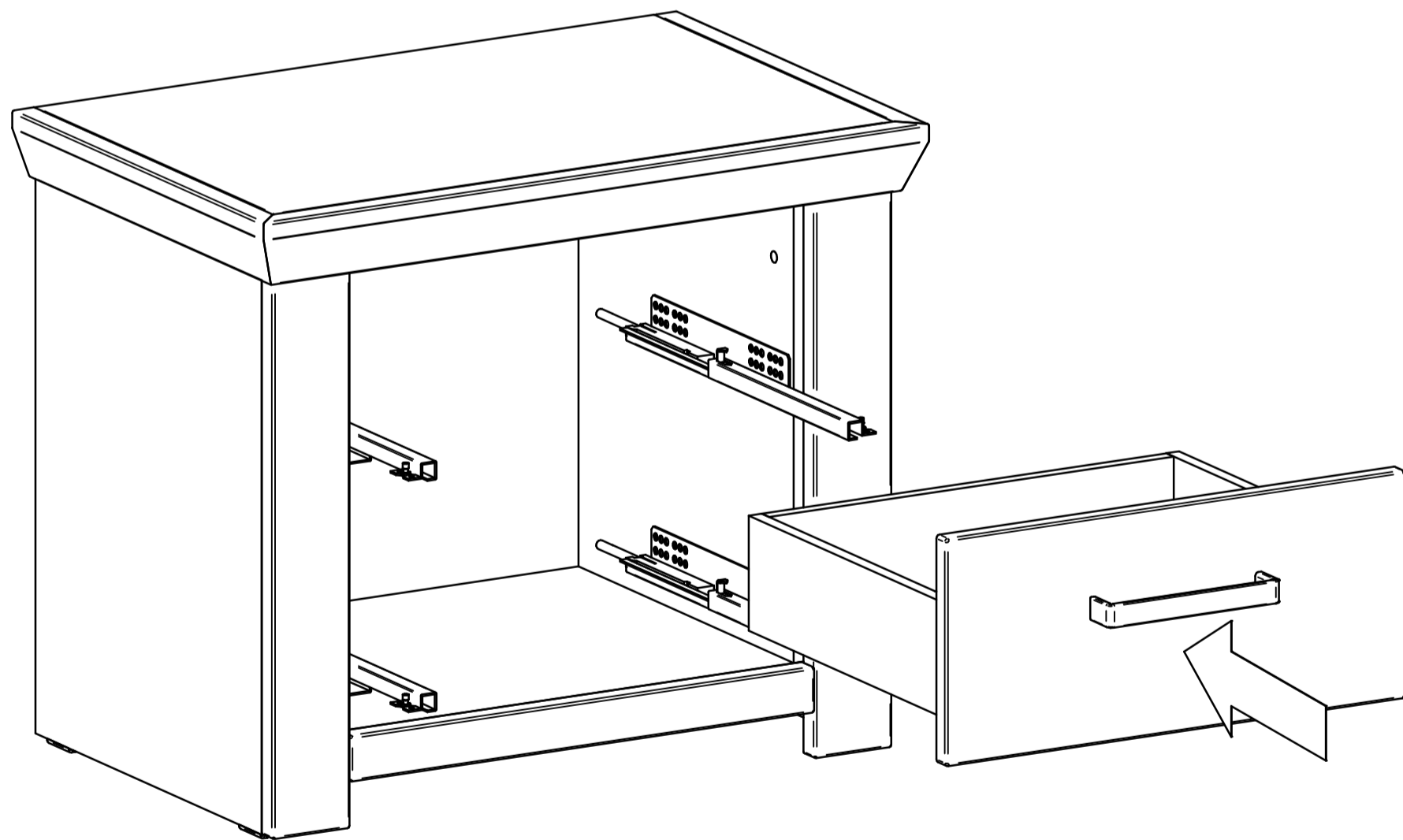
(9+11)



10



11



12

MAX
0÷4mm

