

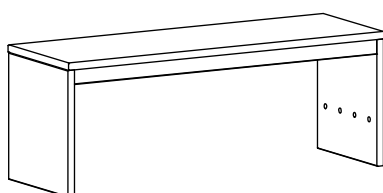
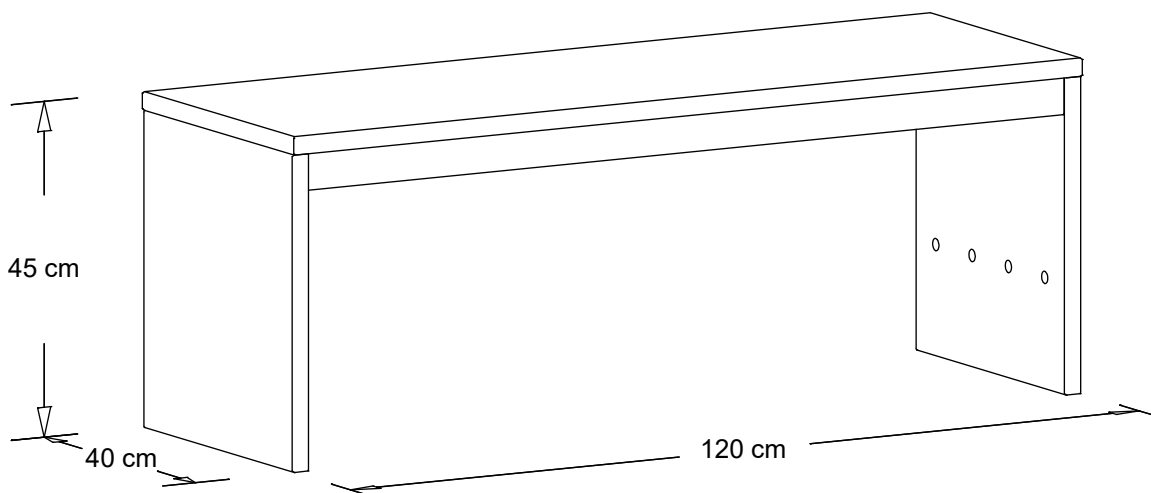
# Comma Bench - 3 seats

800 113

V03

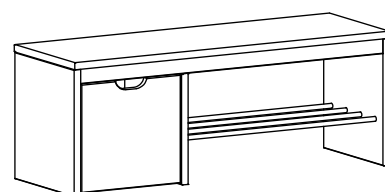
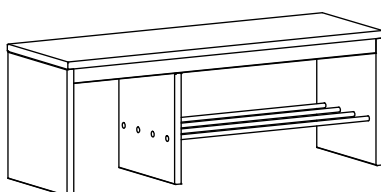
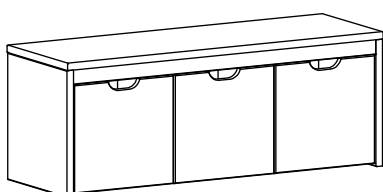
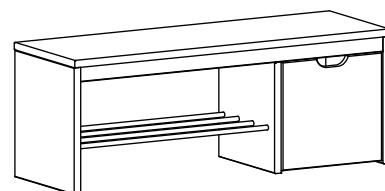
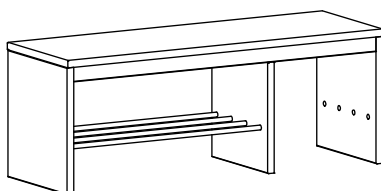
V04

V05



**800 113**

1 x 800 113



**V 05**

1 x 800 113

1 x 800 001

1 x 800 002

**V 03**

1 x 800 113

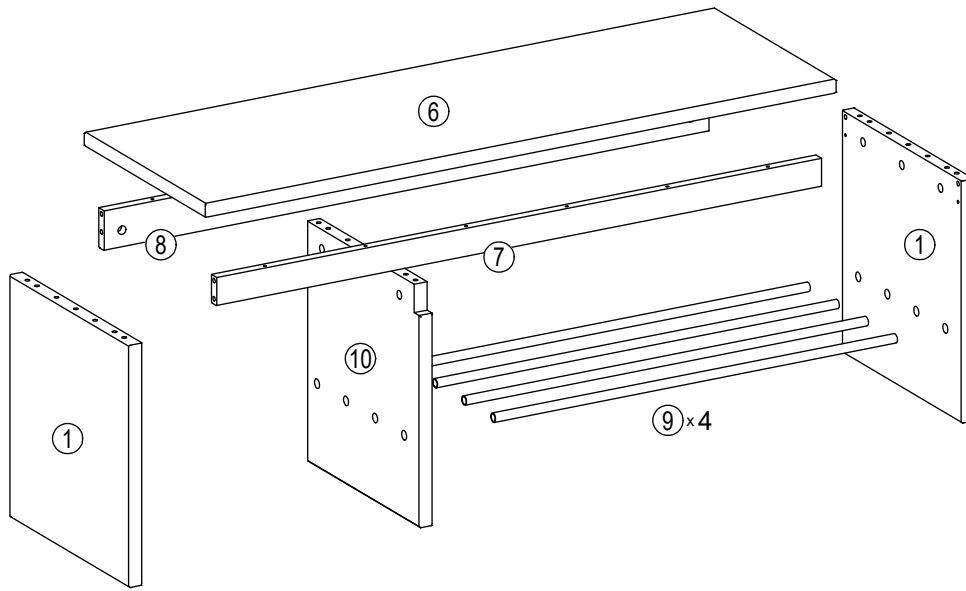
1 x 800 123

**V 04**

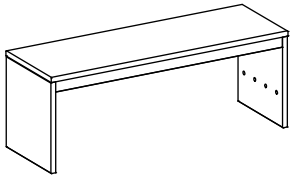
1 x 800 113





1 x 800 001

1 x 800 123

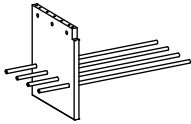







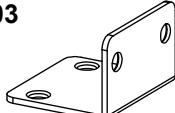

## 800 113





<b>A26</b>  12 x ø8 x 40mm	<b>B01</b>  10 x ø15 x 12,5mm	<b>B10</b>  10 x cc34, ø5 x 11mm	<b>D70</b>  12 x ø4,5 x 70mm
--	---	---	--

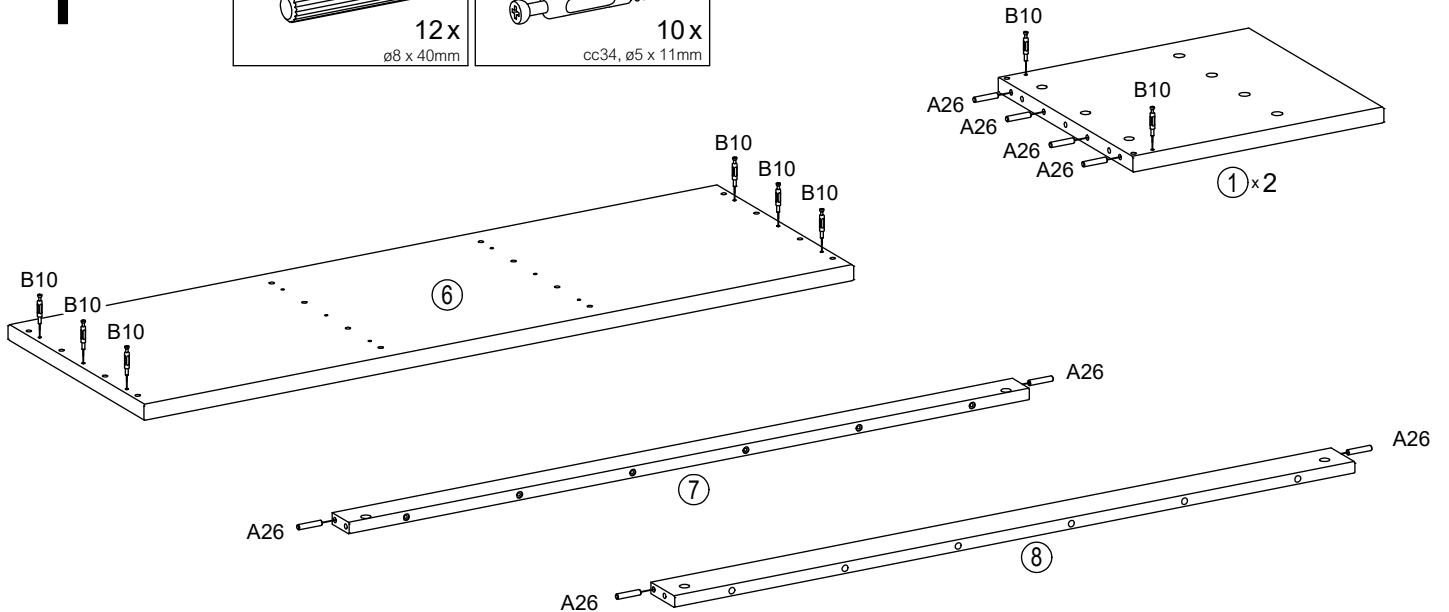
## 800 123



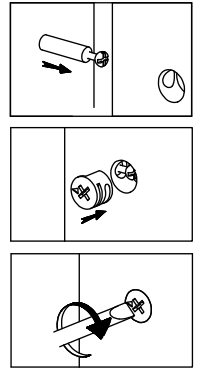
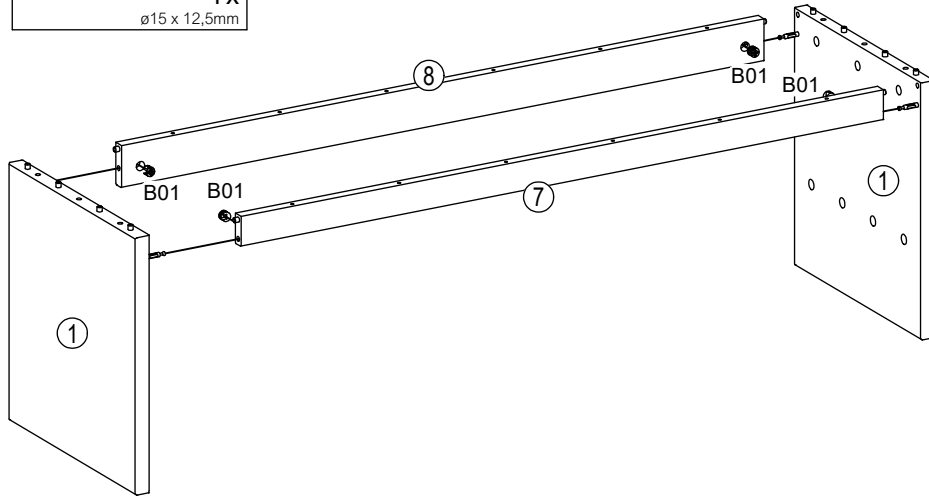
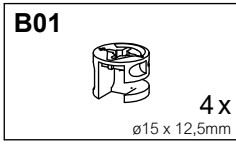
<b>A26</b>  4 x ø8 x 40mm	<b>B01</b>  3 x ø15 x 12,5mm	<b>B10</b>  3 x cc34, ø5 x 11mm	<b>D11</b>  4 x ø3,5 x 15mm
<b>U80</b>  4 x ø19mm	<b>V03</b>  1 x 45 x 40 x 29 x 2mm	<b>9</b>  4 x ø16 x 767mm	

1

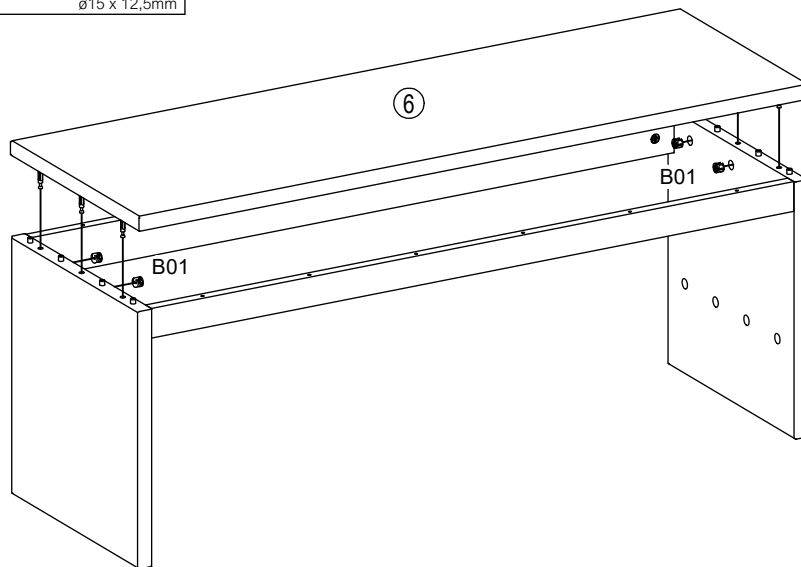
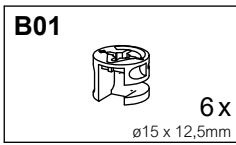
<b>A26</b>  12 x ø8 x 40mm	<b>B10</b>  10 x cc34, ø5 x 11mm
--	--



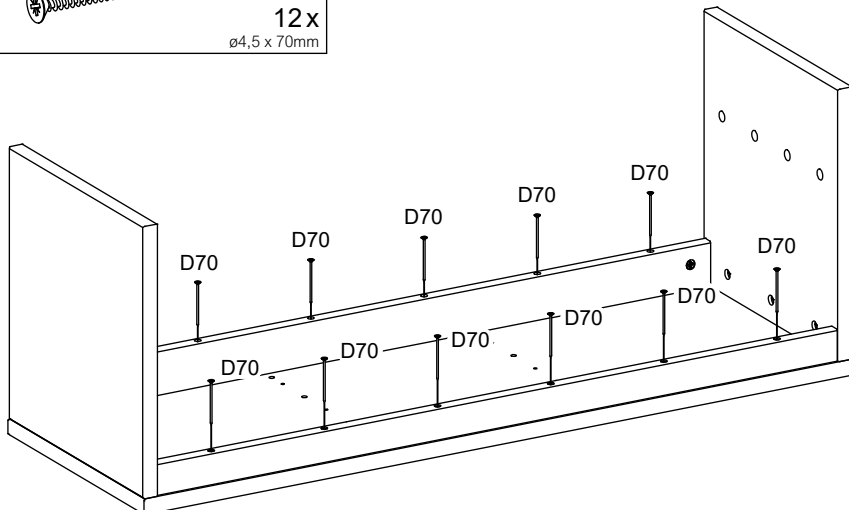
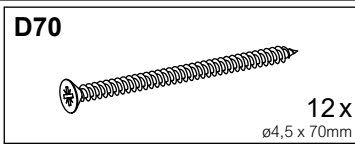
2

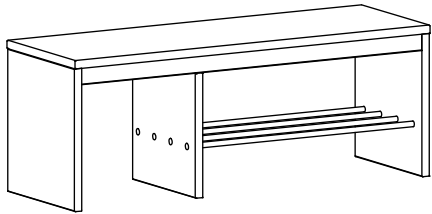


3

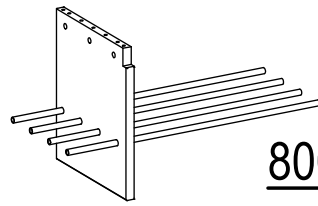
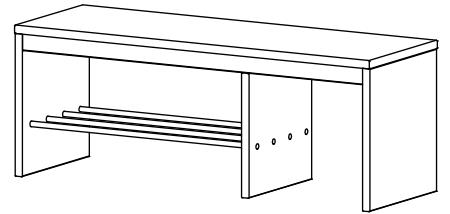


4





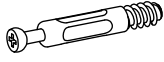
V03



800 123

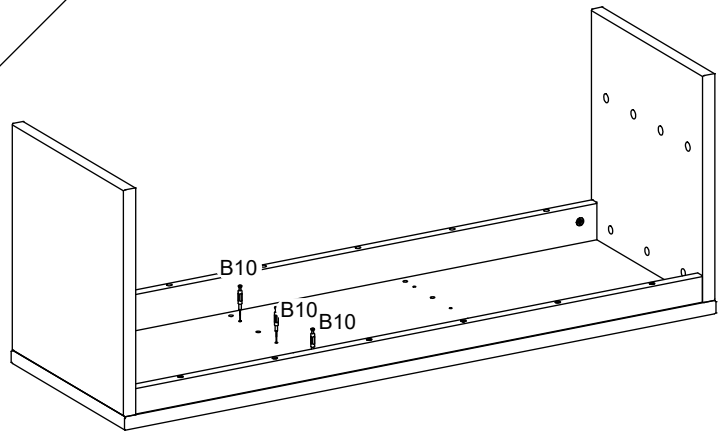
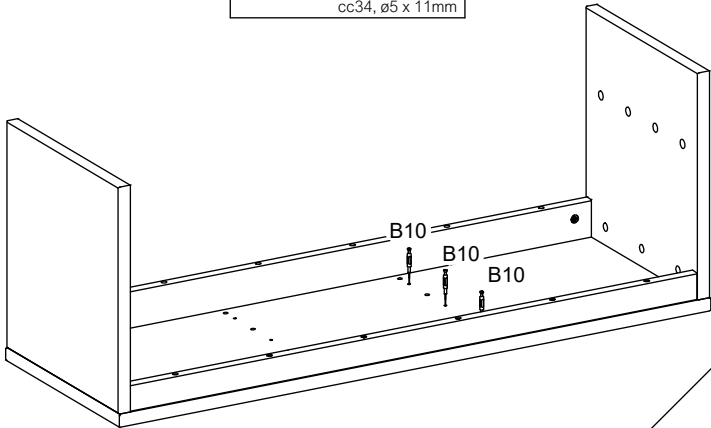
**5**

**B10**



3x

cc34, ø5 x 11mm



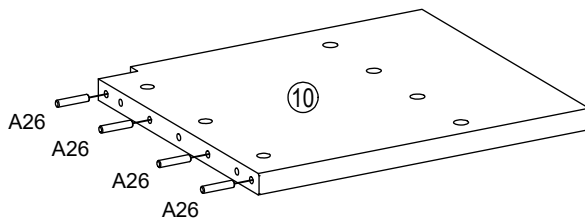
**6**

**A26**

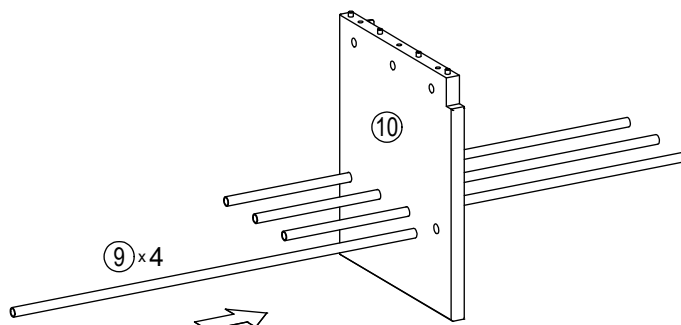


4x

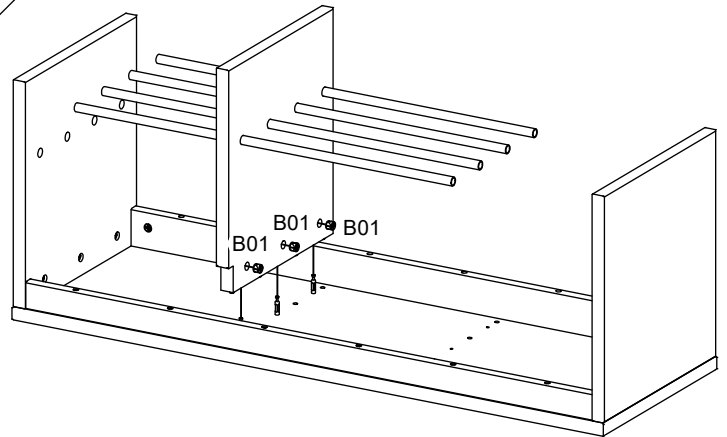
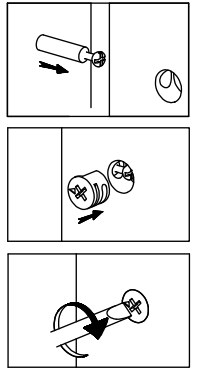
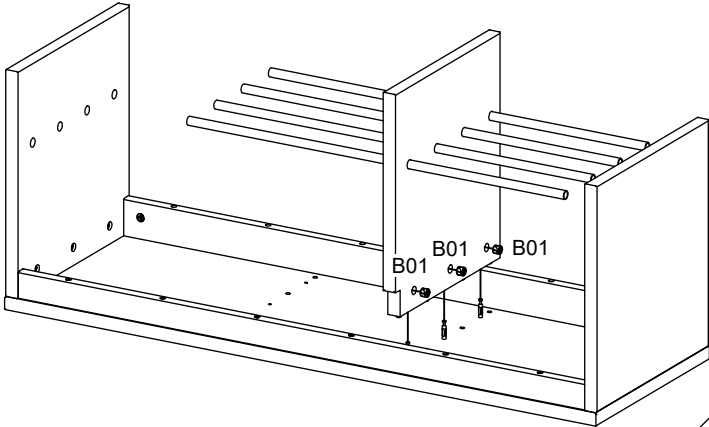
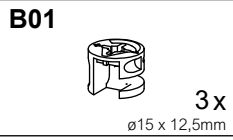
ø8 x 40mm



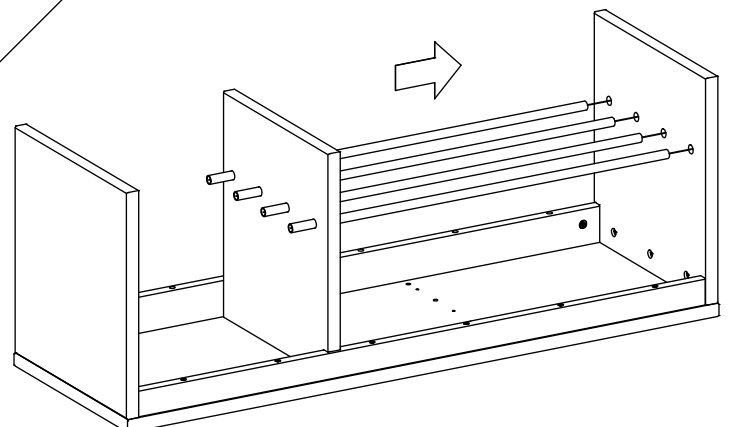
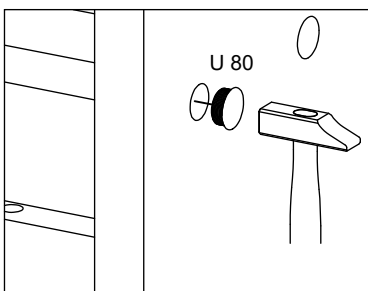
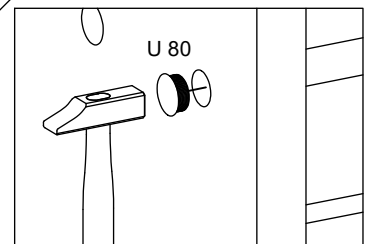
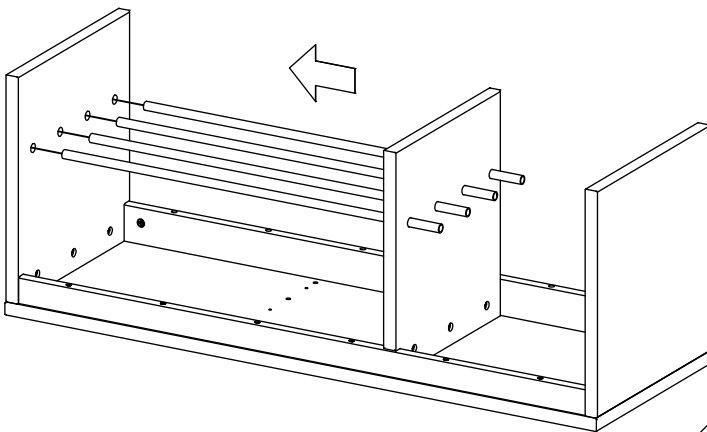
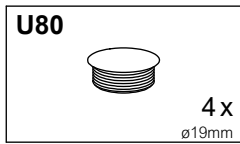
**7**




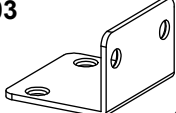
8

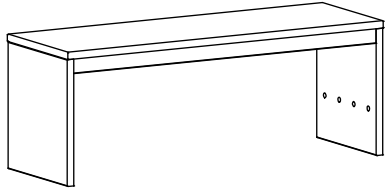
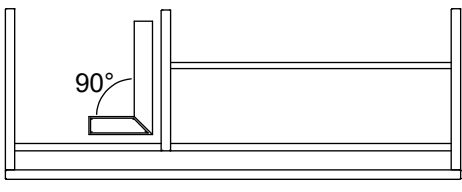
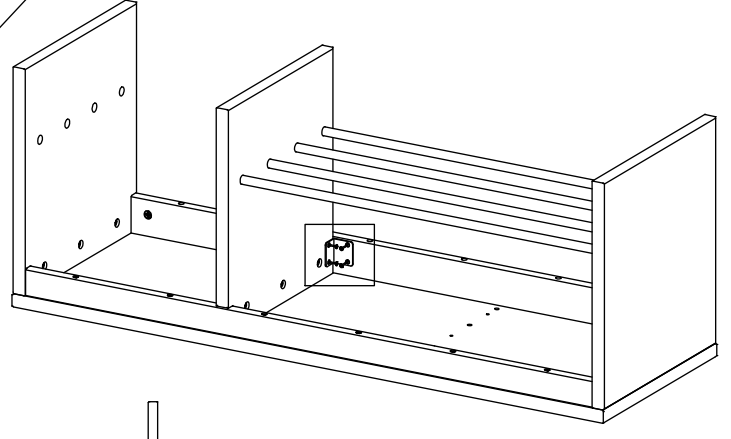
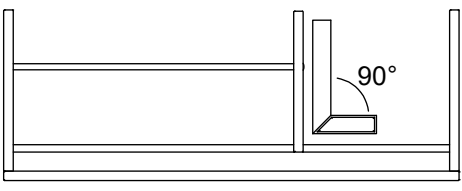
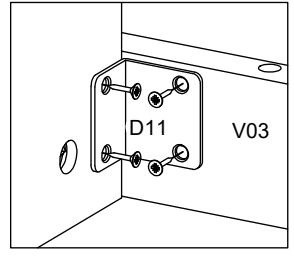
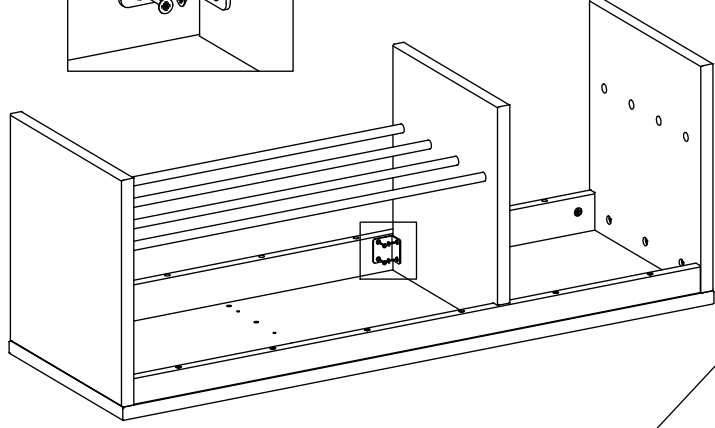
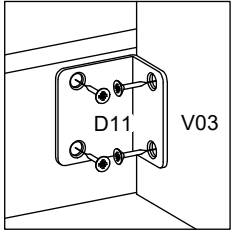


9

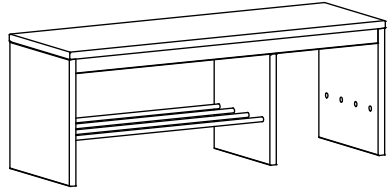


# 10

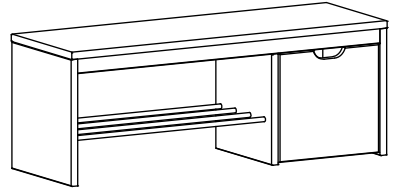
<b>D11</b>  4 x ø3,5 x 15mm	<b>V03</b>  1 x 45 x 40 x 29 x 2mm
---	--



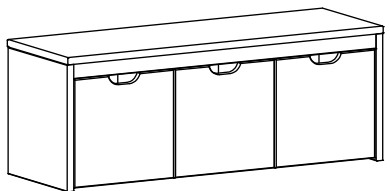
800 113



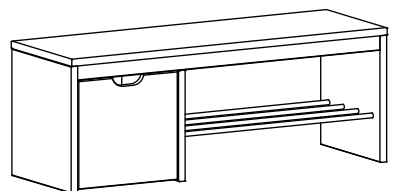
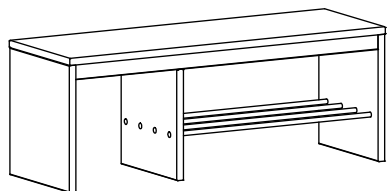
V03



V04



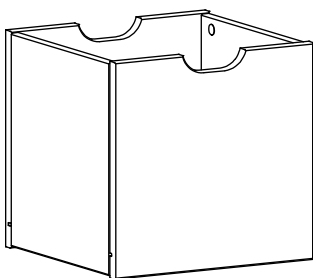
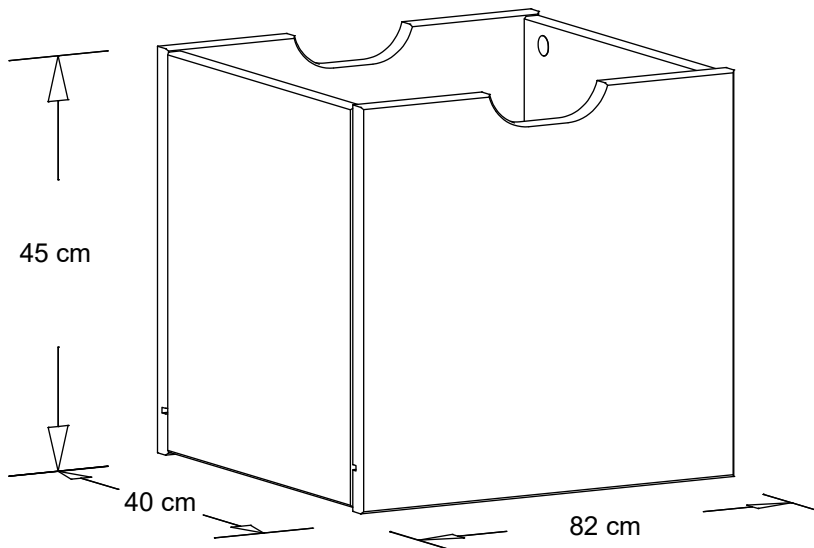
V05



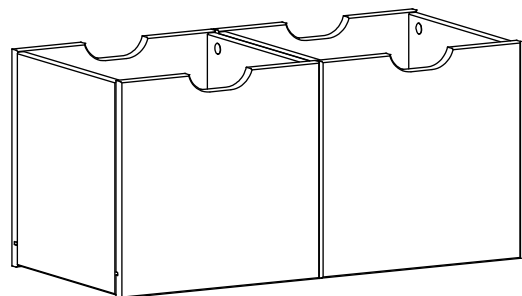
# Comma Drawer

800 001

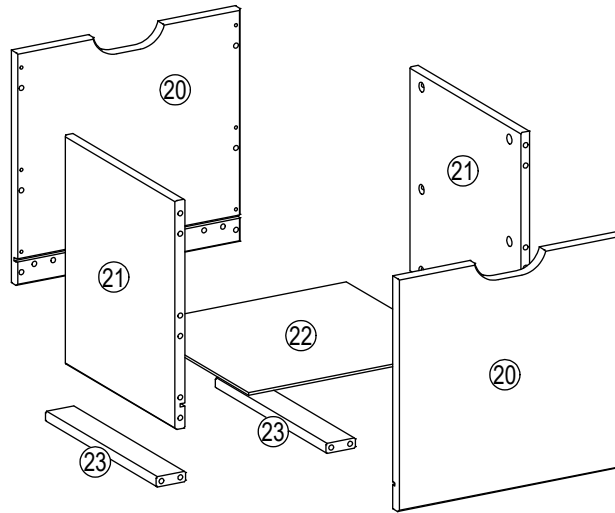
800 002



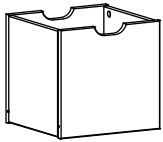
800 001



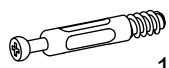

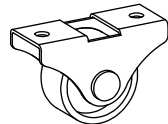



800 002

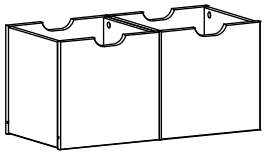




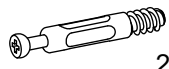

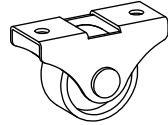

## 800 001




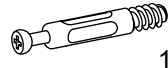

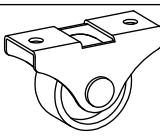
<b>A26</b>  20 x ø8 x 40mm	<b>B01</b>  12 x ø15 x 12,5mm	<b>B10</b>  12 x cc34, ø5 x 11mm	<b>E11</b>  8 x ø3,5 x 16mm
<b>T90</b>  4 x ø26 x 29mm	<b>U02</b>  12 x ø18mm		

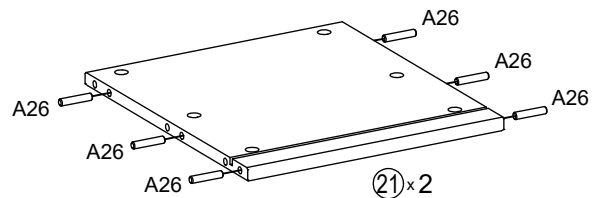
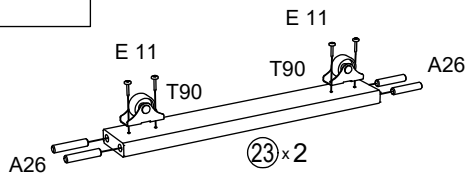
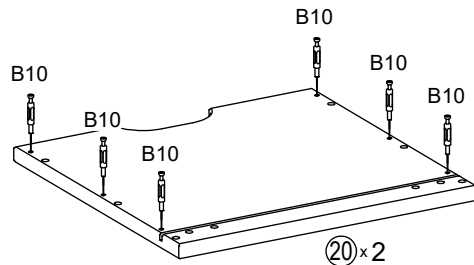
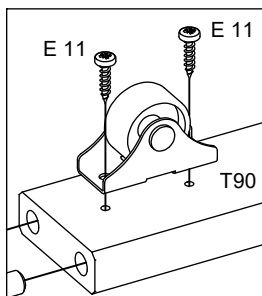
## 800 002



<b>A26</b>  40 x ø8 x 40mm	<b>B01</b>  24 x ø15 x 12,5mm	<b>B10</b>  24 x cc34, ø5 x 11mm	<b>E11</b>  16 x ø3,5 x 16mm
<b>T90</b>  8 x ø26 x 29mm	<b>U02</b>  24 x ø18mm		

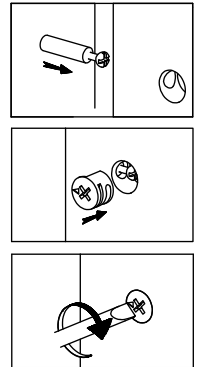
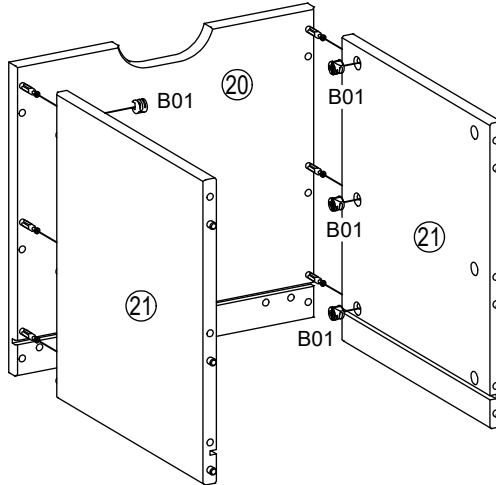
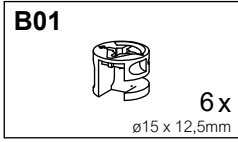
1

<b>A26</b>  20 x ø8 x 40mm	<b>B10</b>  12 x cc34, ø5 x 11mm	<b>E11</b>  8 x ø3,5 x 16mm	<b>T90</b>  4 x ø26 x 29mm
--	--	---	--

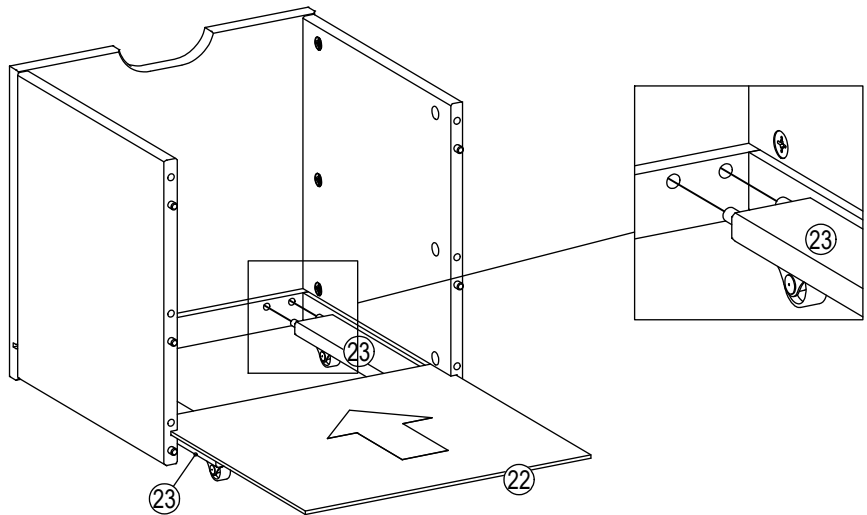




2



3



4

