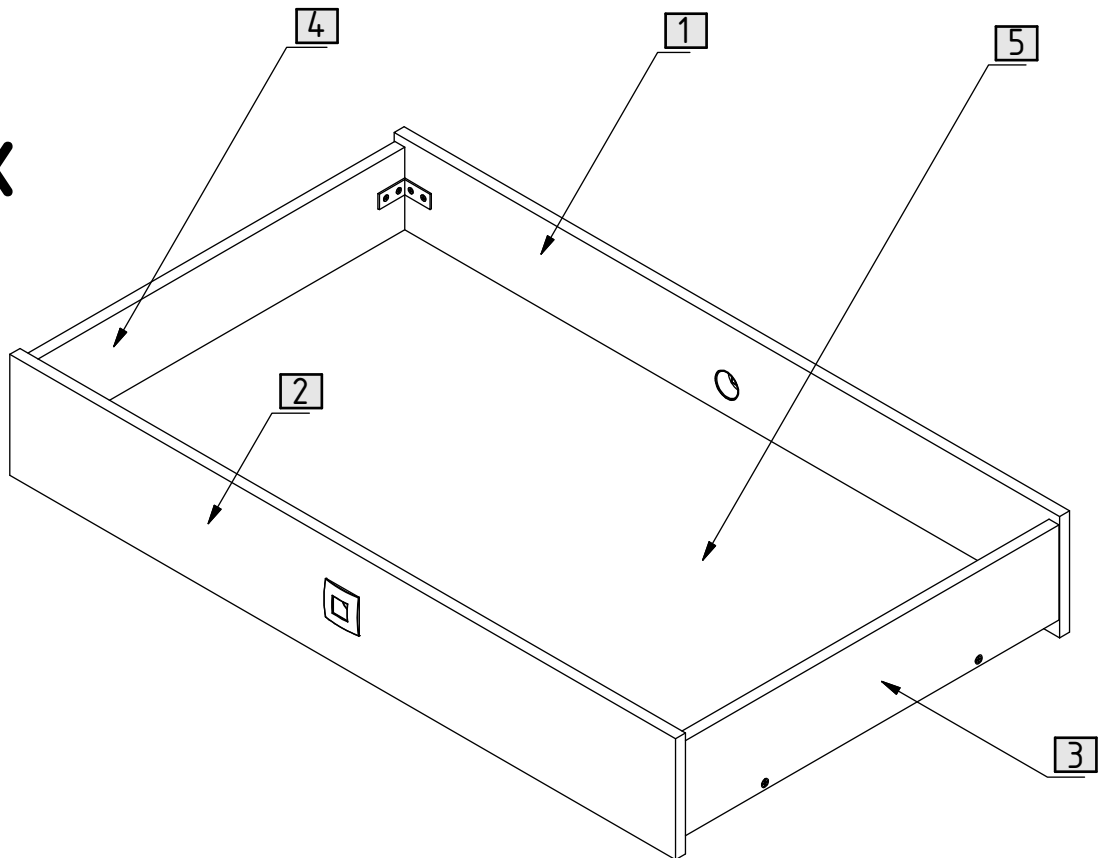
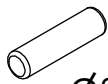
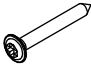
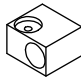

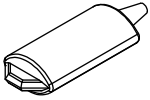
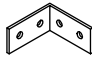
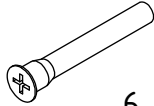


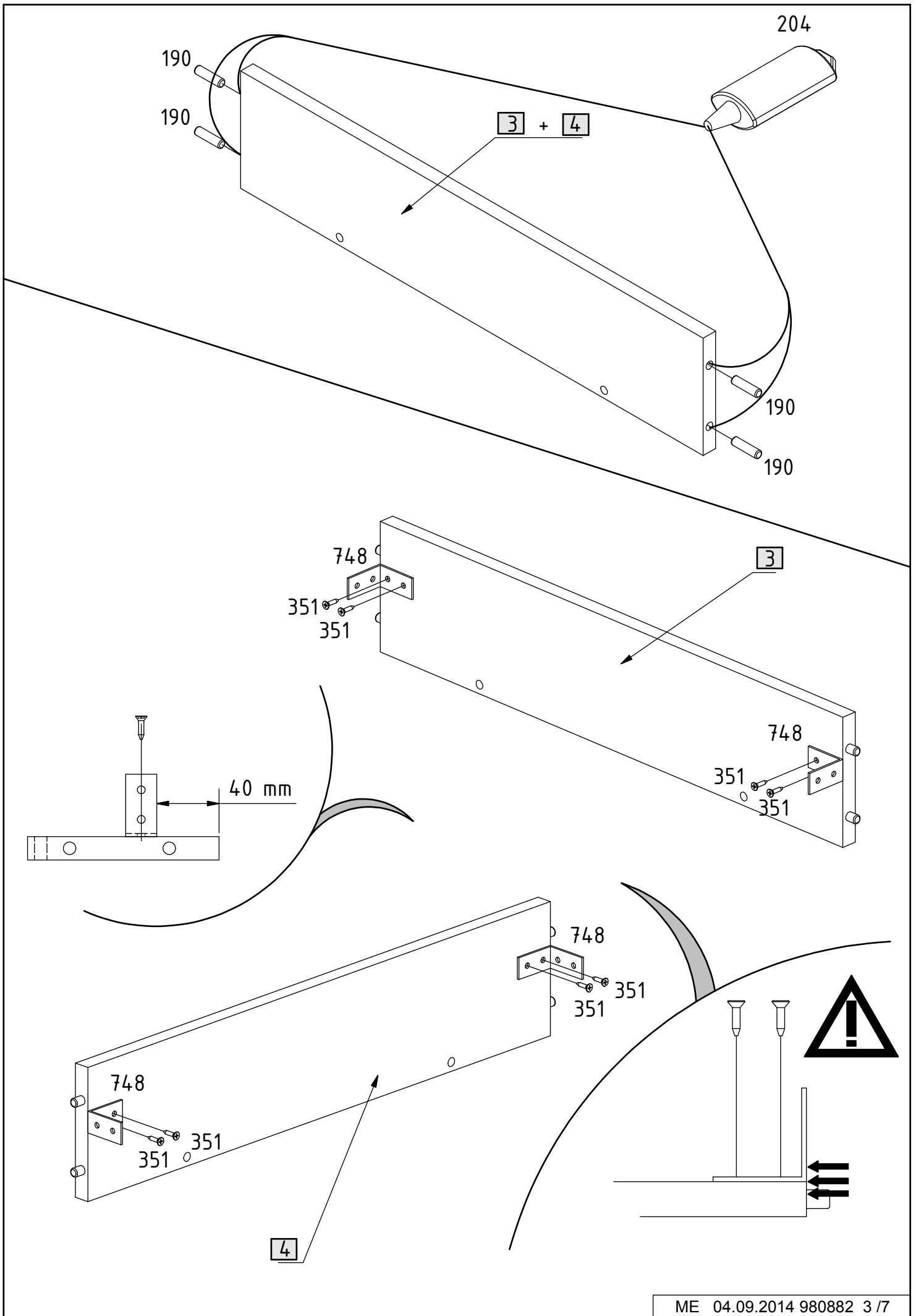


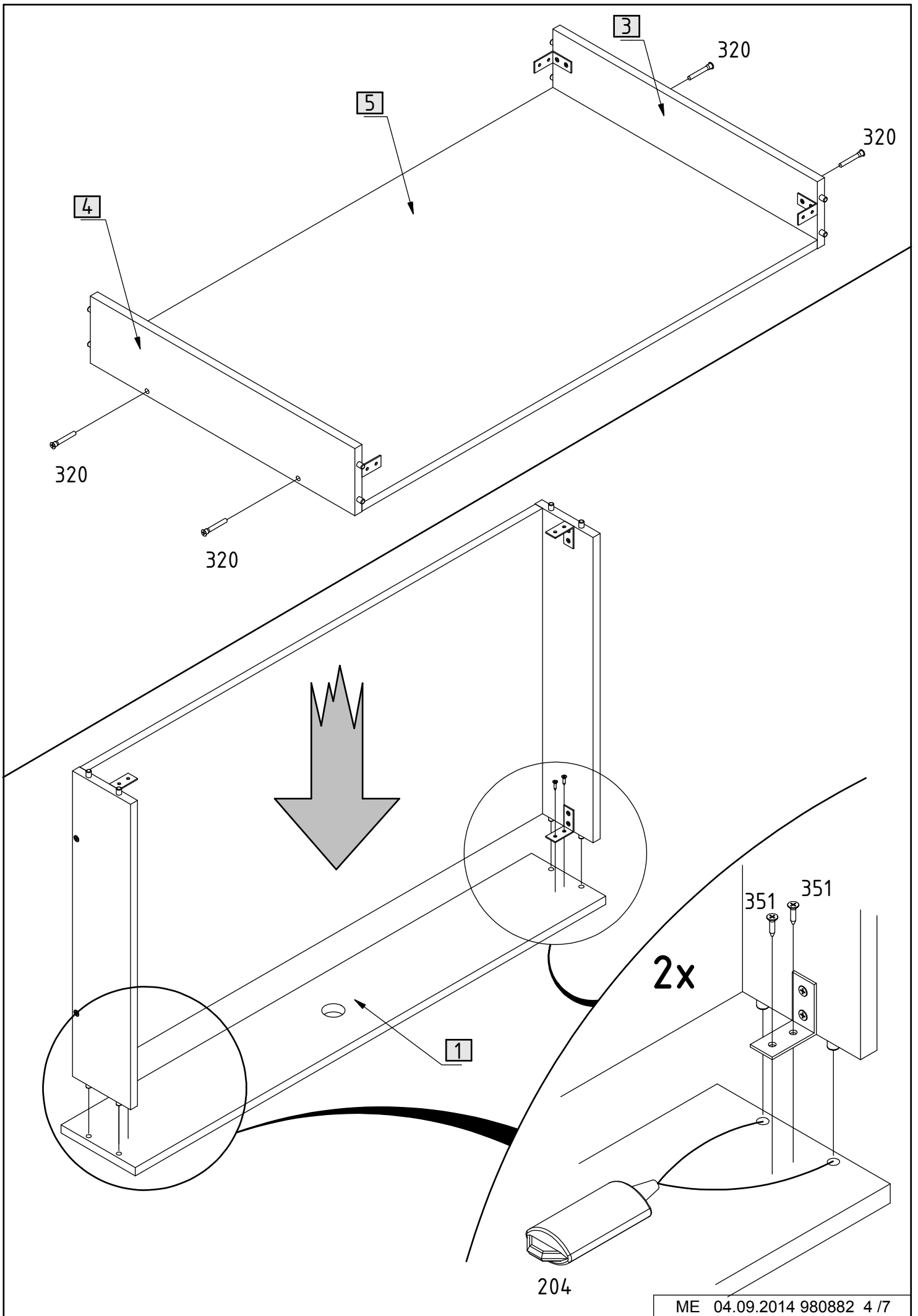
2x

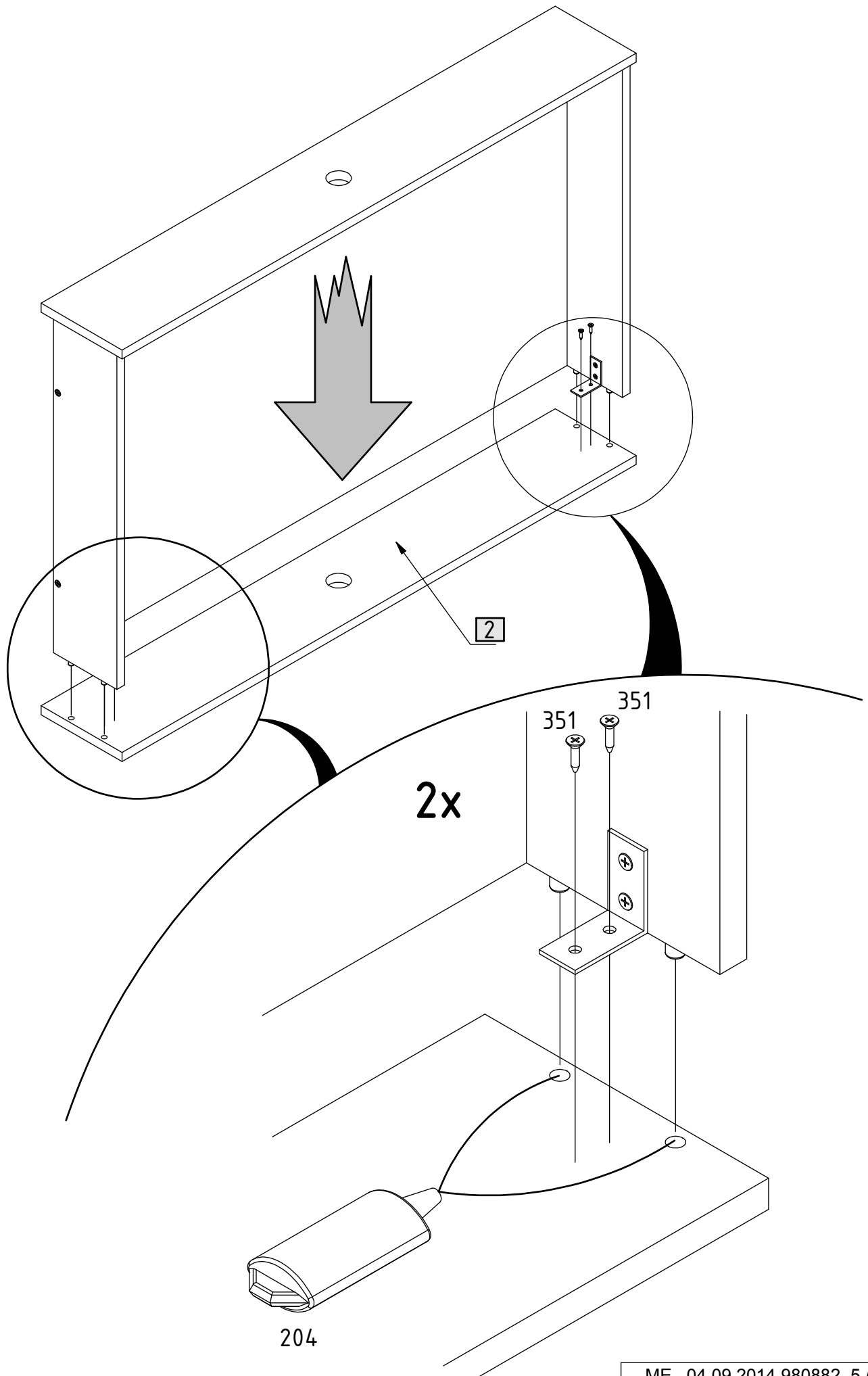


2x

| | | | | | |
|-----|----|--|-----|---|--|
| 190 | 8 |  Ø8 x 30 mm | 354 | 4 |  3,5 x 25 mm |
| 203 | 2 |  | 512 | 2 |  |
| 204 | 1 |  | 748 | 4 |  |
| 320 | 4 |  6 x 50 mm | 774 | 4 |  |
| 351 | 24 |  3,5 x 15 mm | | | |







204

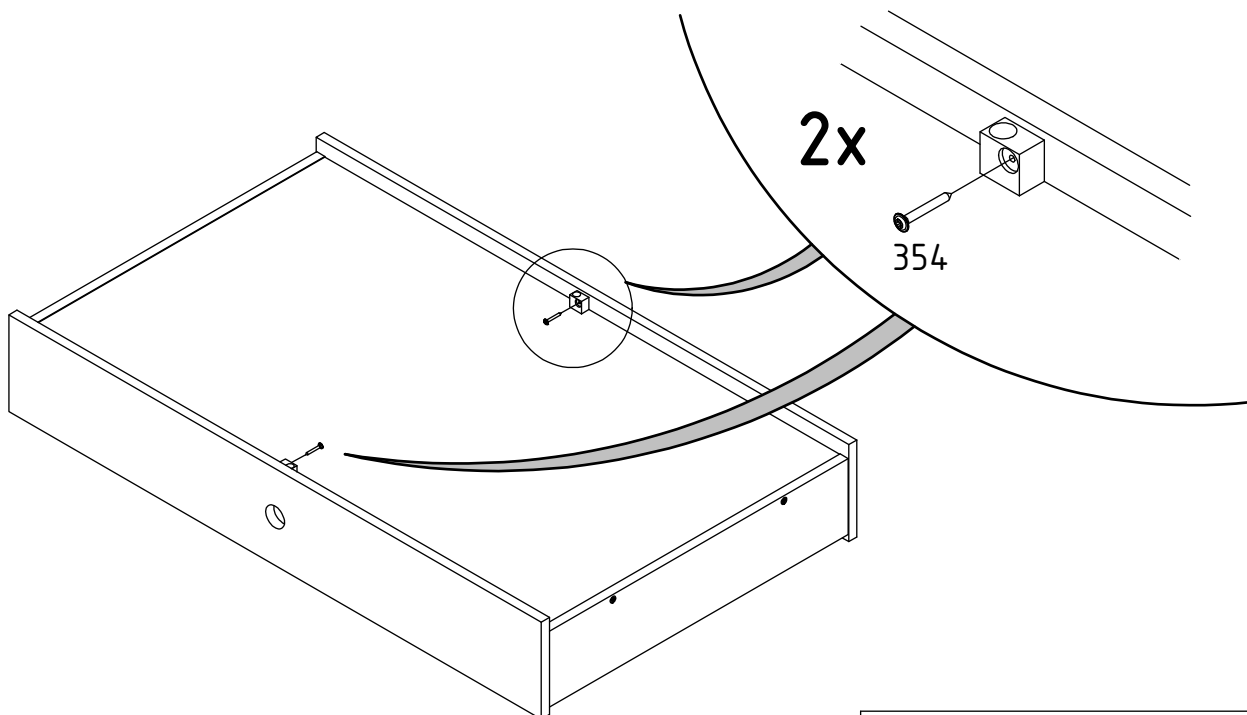
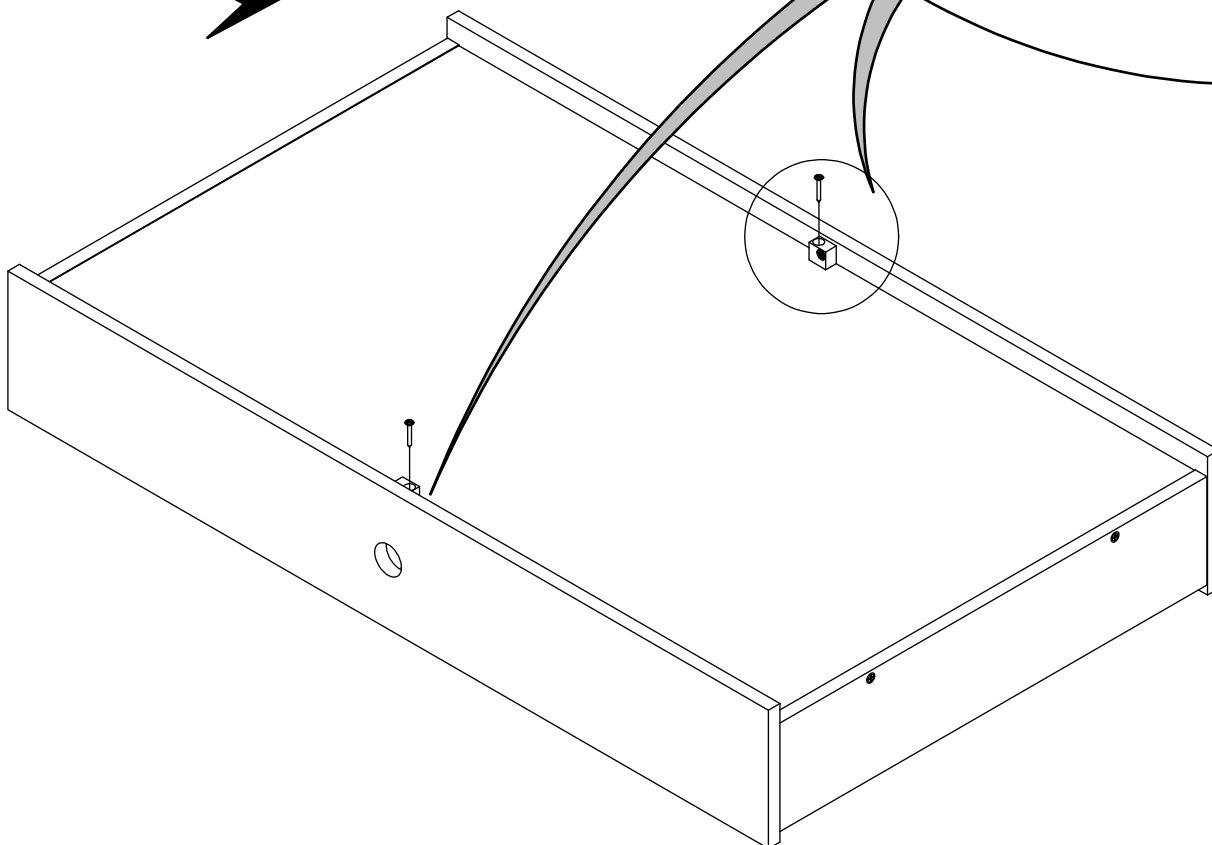
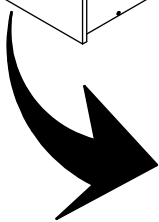
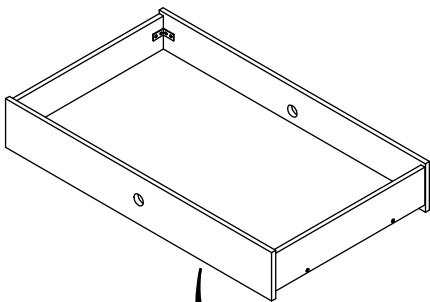
2x

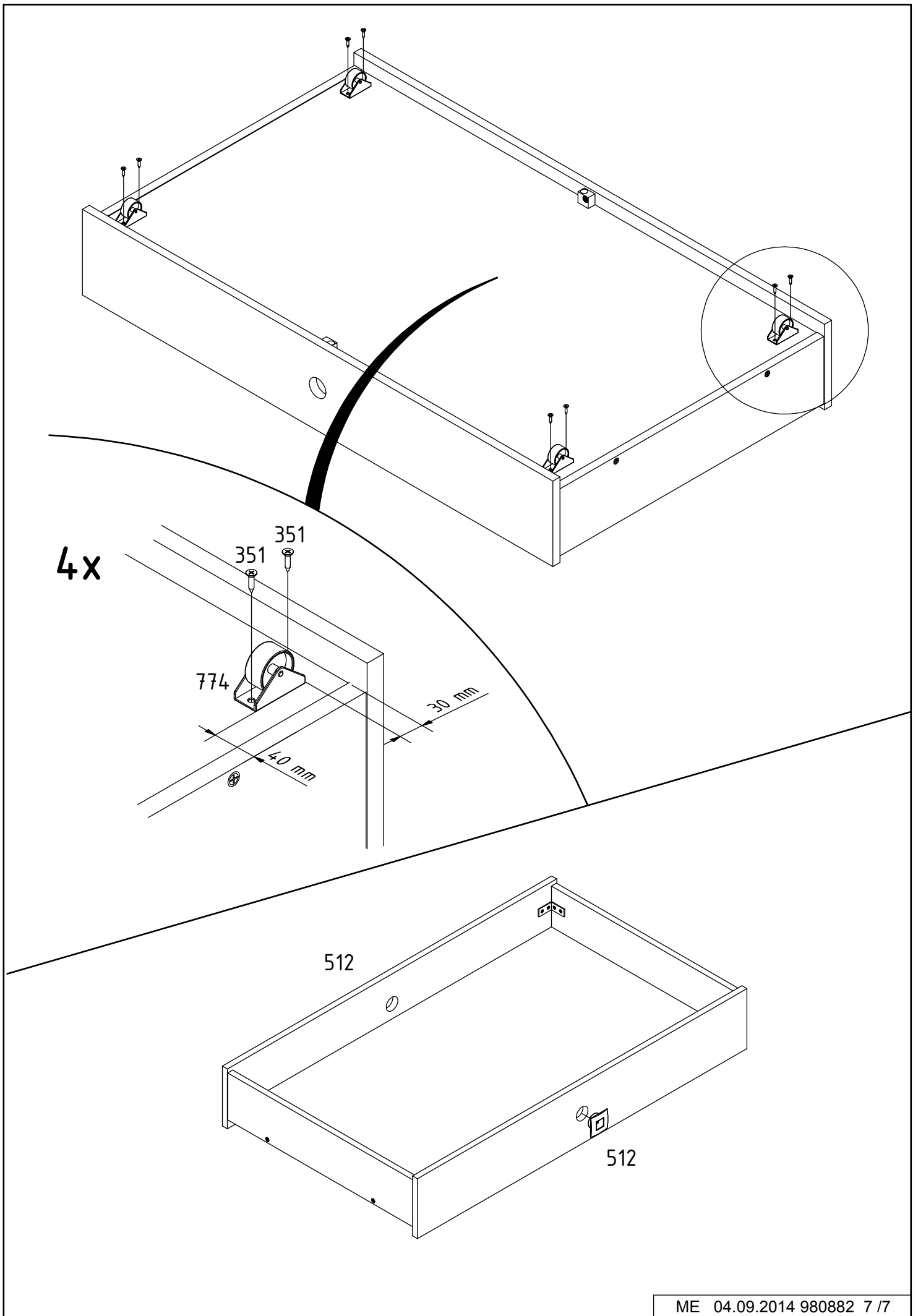
354

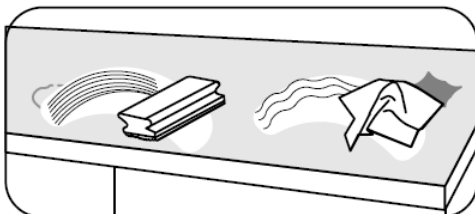
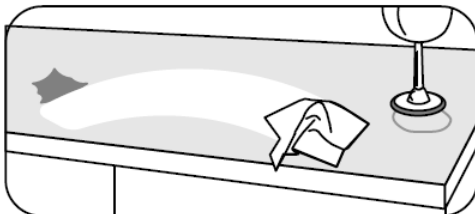
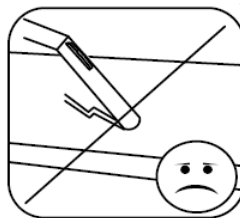
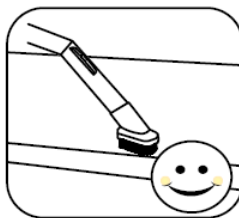
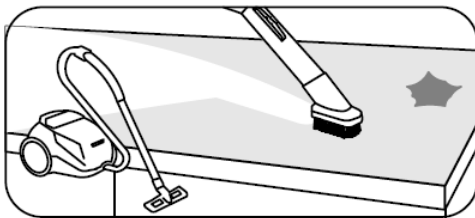
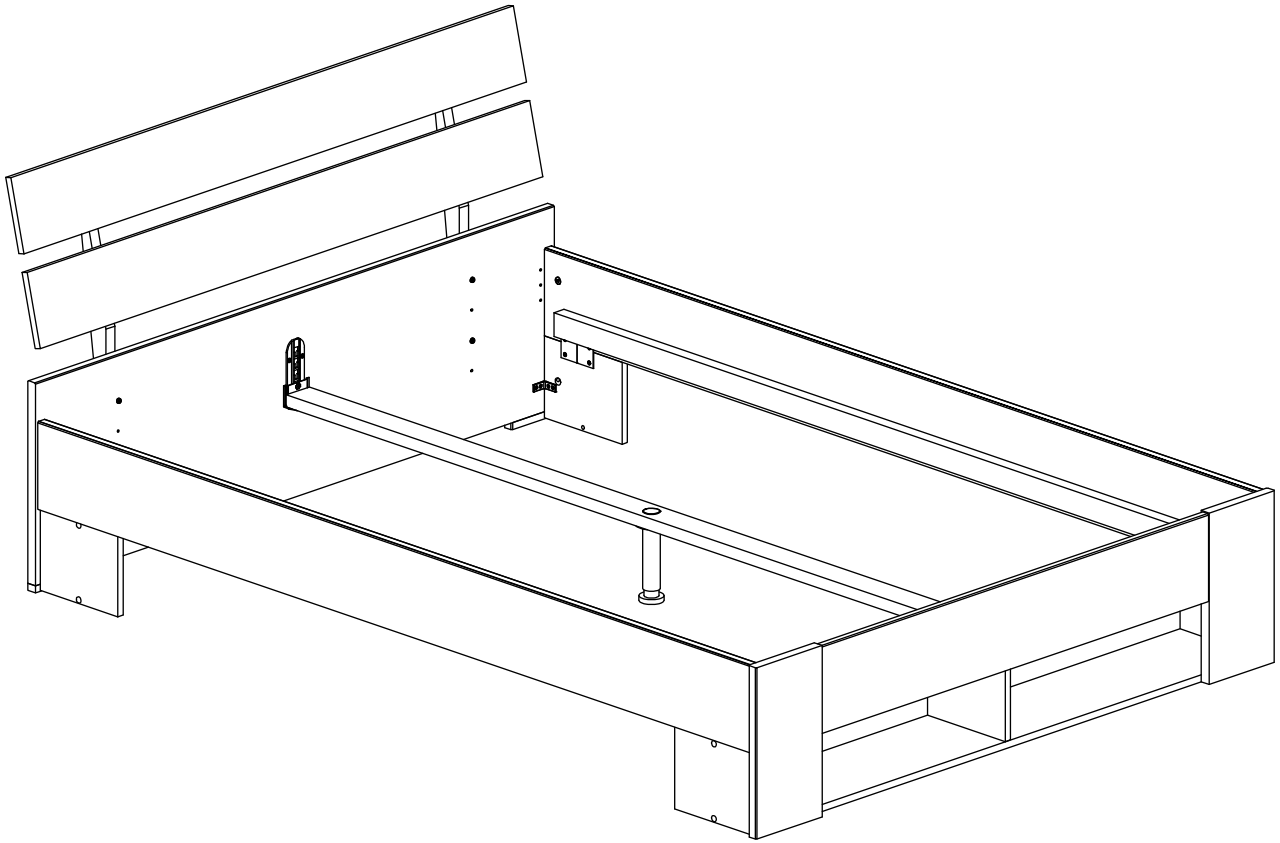
203

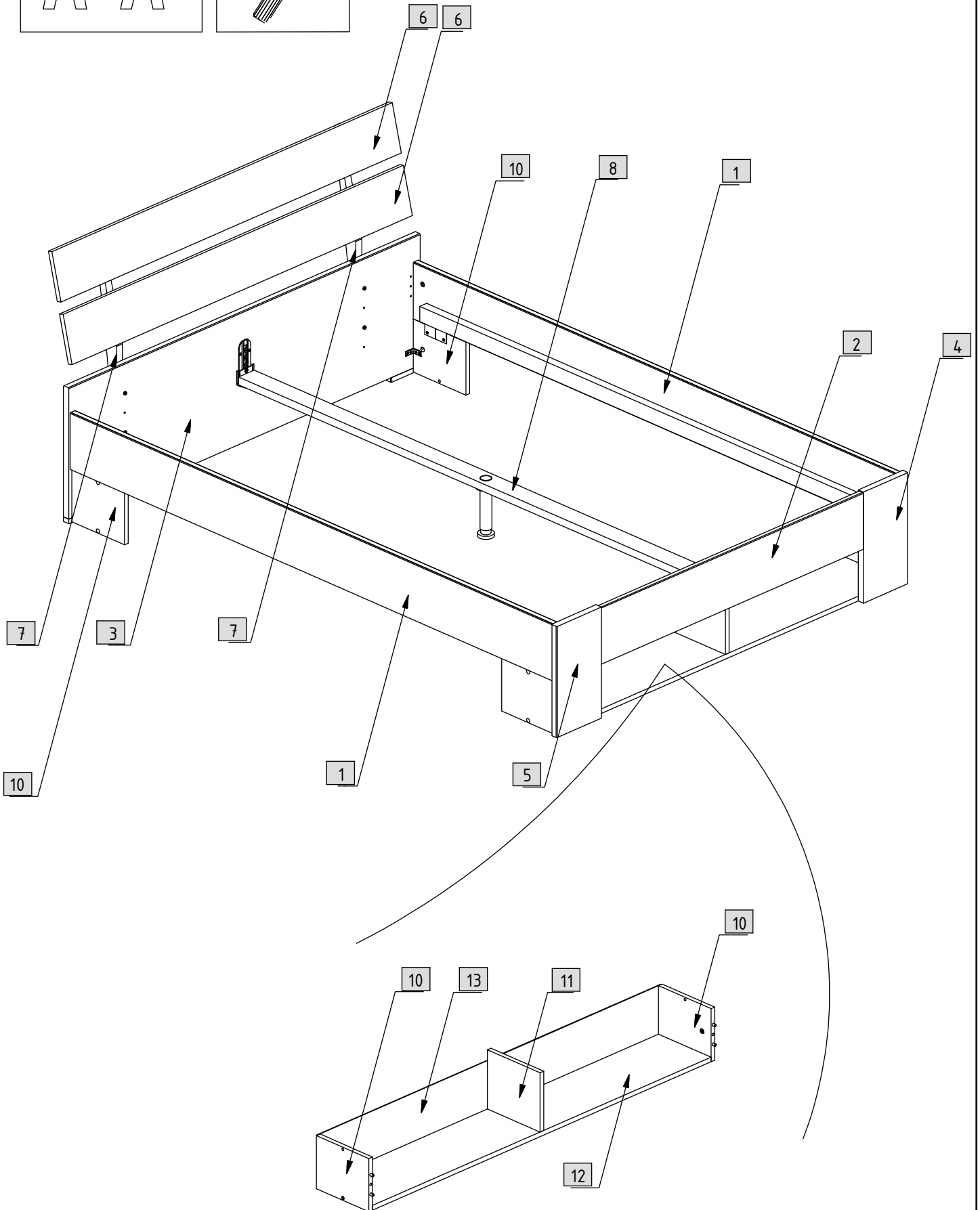
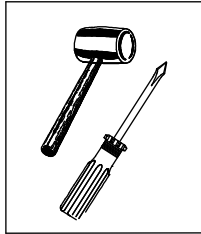
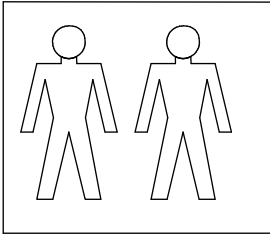
2x


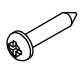

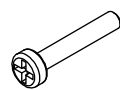
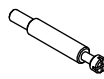

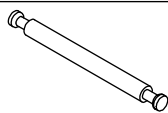
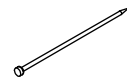
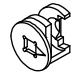

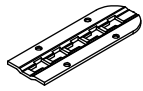
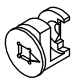

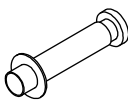
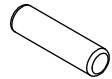

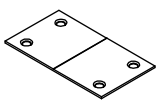


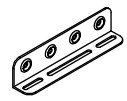
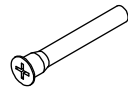


354

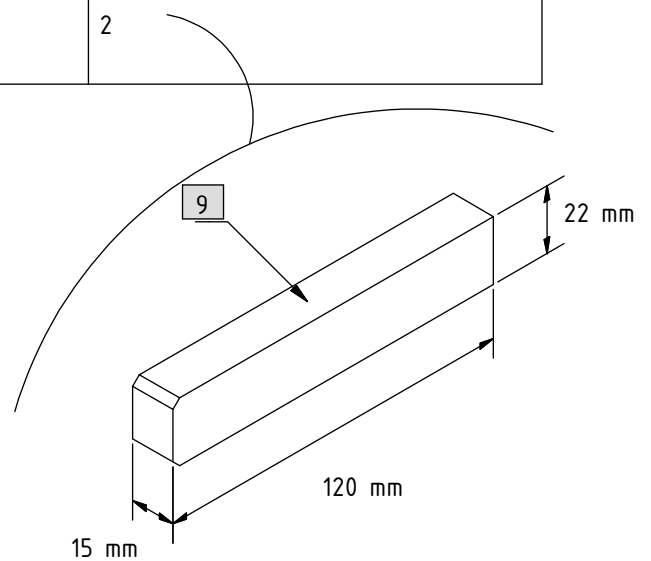


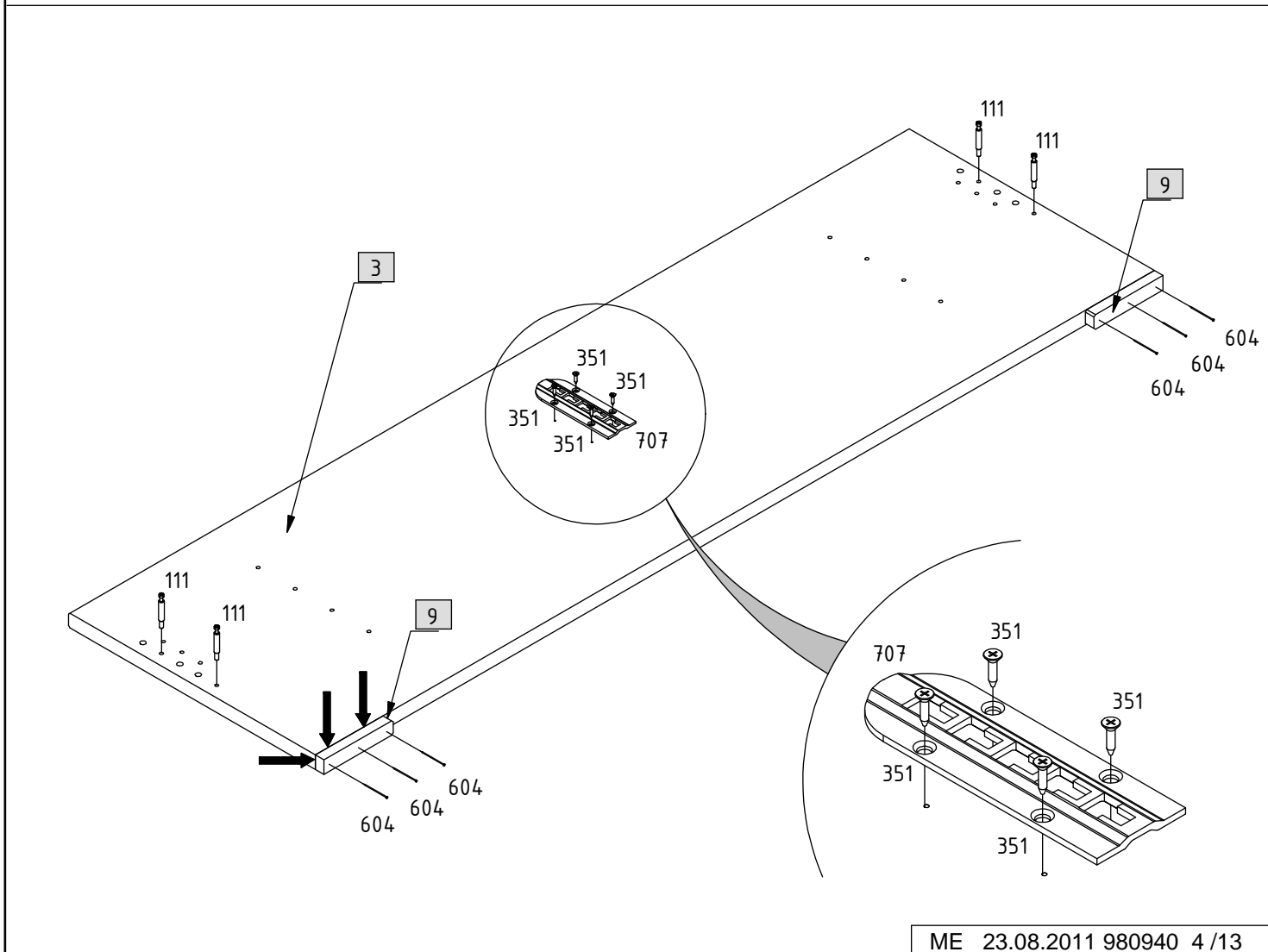
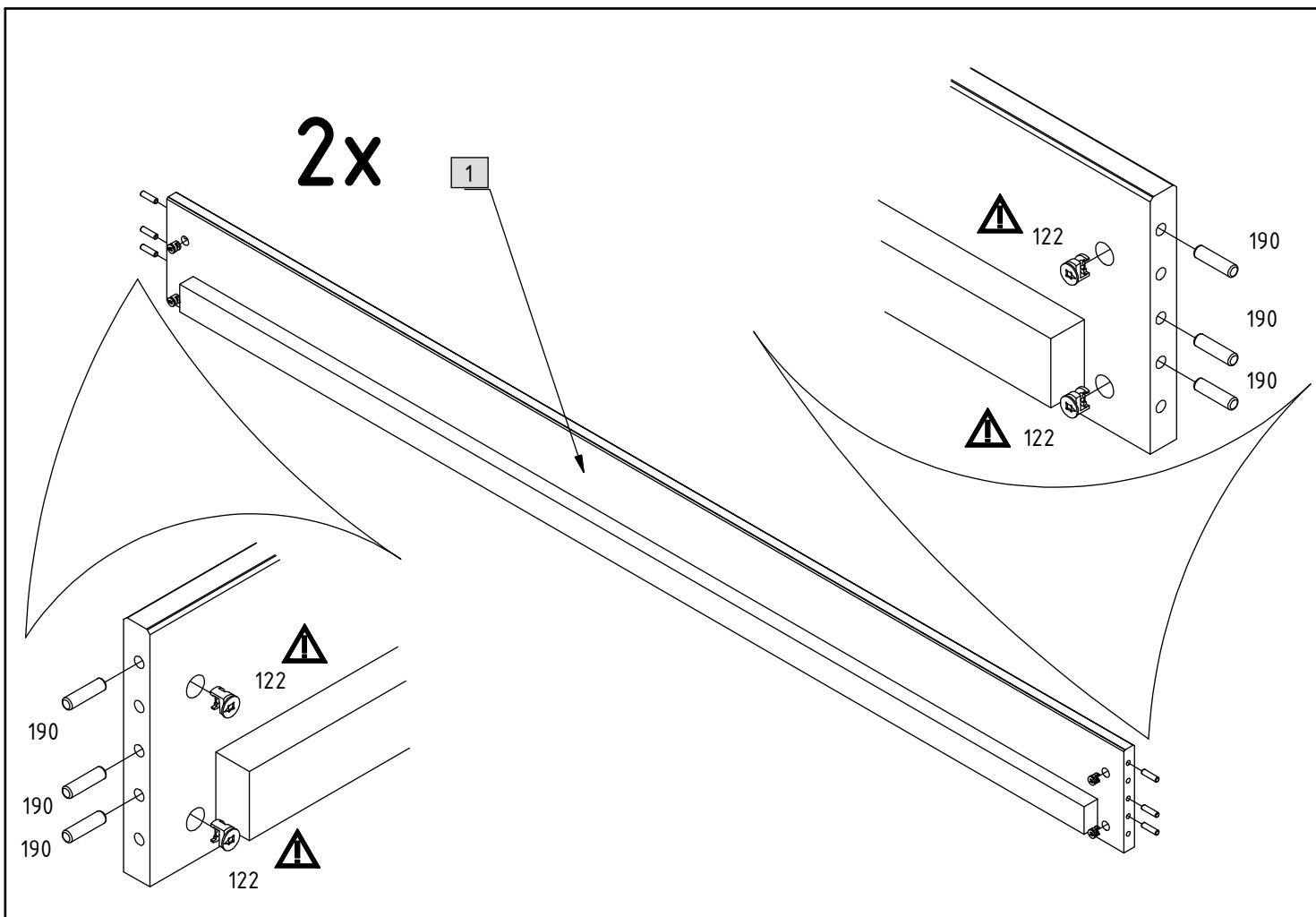


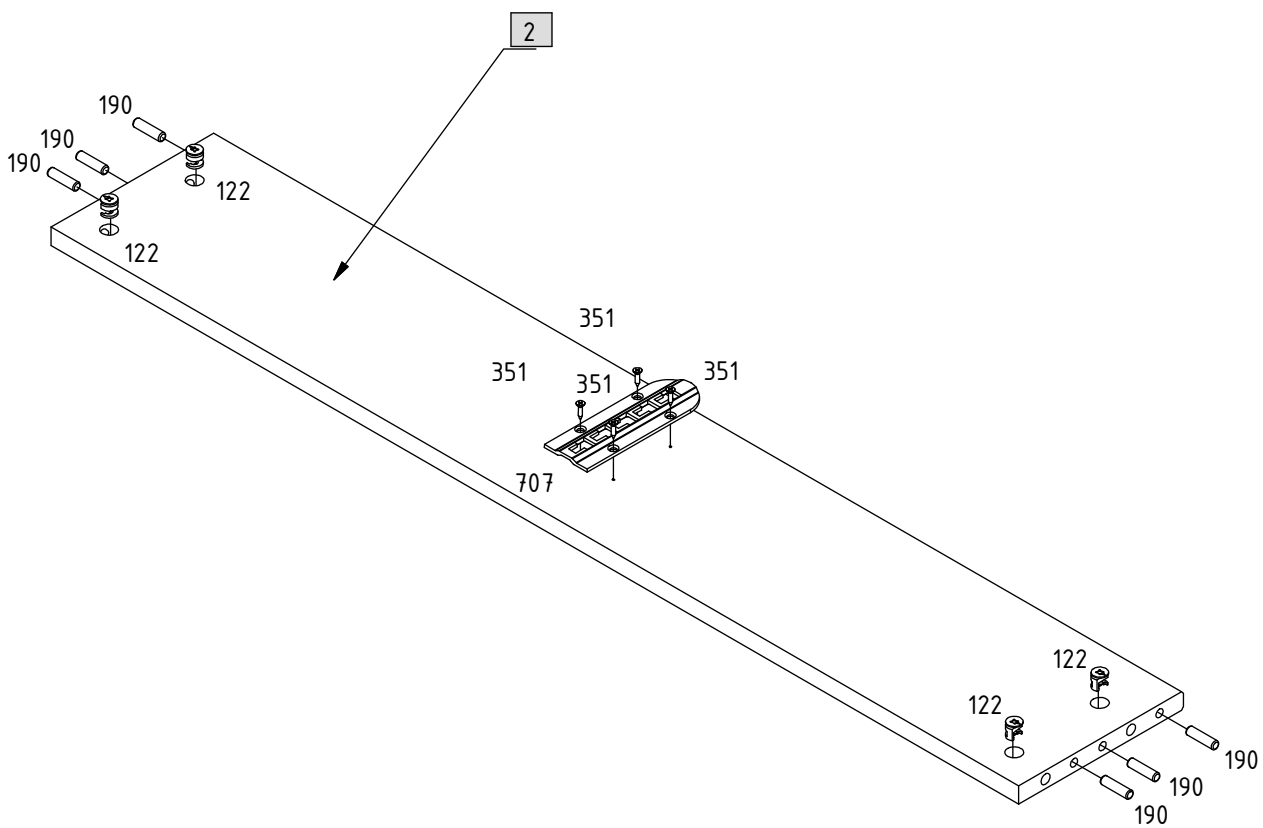
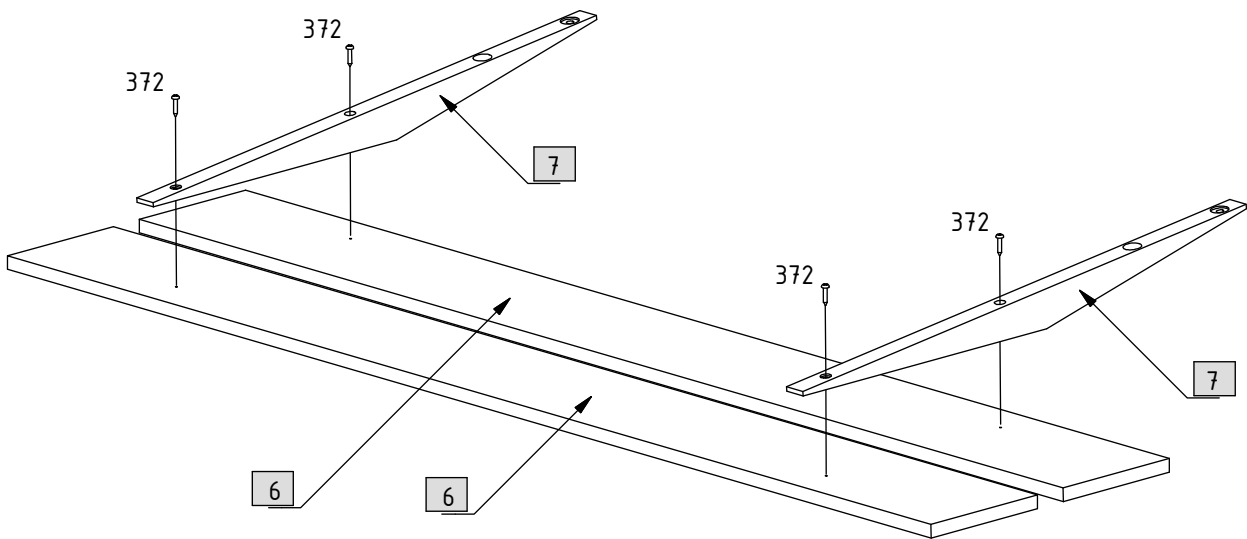


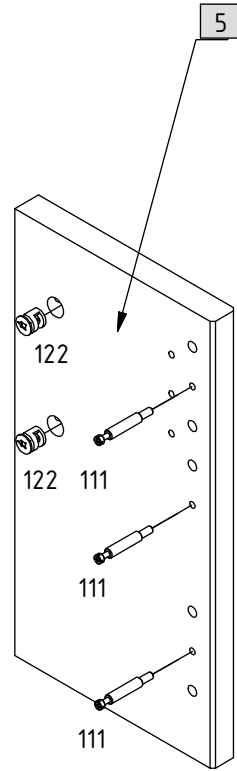
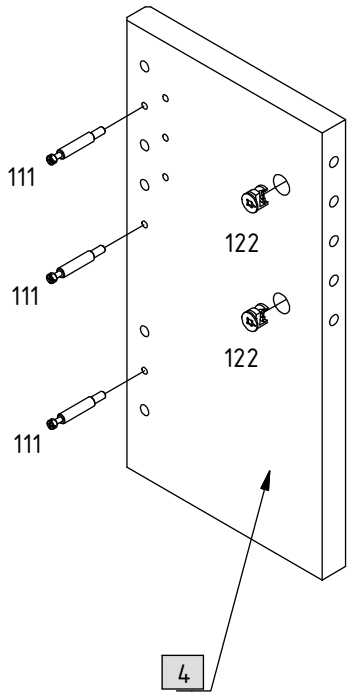


| | | | | | | | |
|-----|----|---|---|-----|----|---|------------|
| 101 | 6 |  | | 372 | 4 |  | 4 x 20 mm |
| 102 | 2 |  | | 404 | 4 |  | M5 x 30 |
| 111 | 10 |  | | 603 | 12 |  | Ø1 x 20 mm |
| 112 | 4 |  | | 604 | 6 |  | Ø1 x 40 mm |
| 120 | 2 |  |  Ø15 x 12 mm | 707 | 2 |  | |
| 122 | 16 |  |  Ø15 x 14 mm | 708 | 1 |  | |
| 190 | 23 |  | Ø8 x 30 mm | 709 | 2 |  | |
| 230 | 2 |  | | 757 | 2 |  | |
| 307 | 6 |  | 6 x 15 mm | 786 | 2 |  | |
| 320 | 3 |  | 6 x 50 mm | | 2 | | |
| 351 | 28 |  | 3,5 x 15 mm | | | | |
| 352 | 4 |  | 4 x 20 mm | | | | |



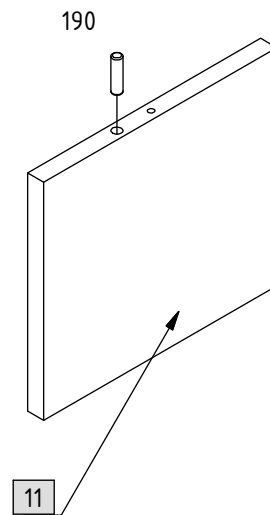
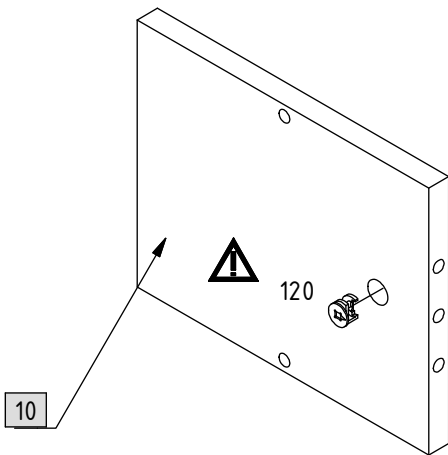


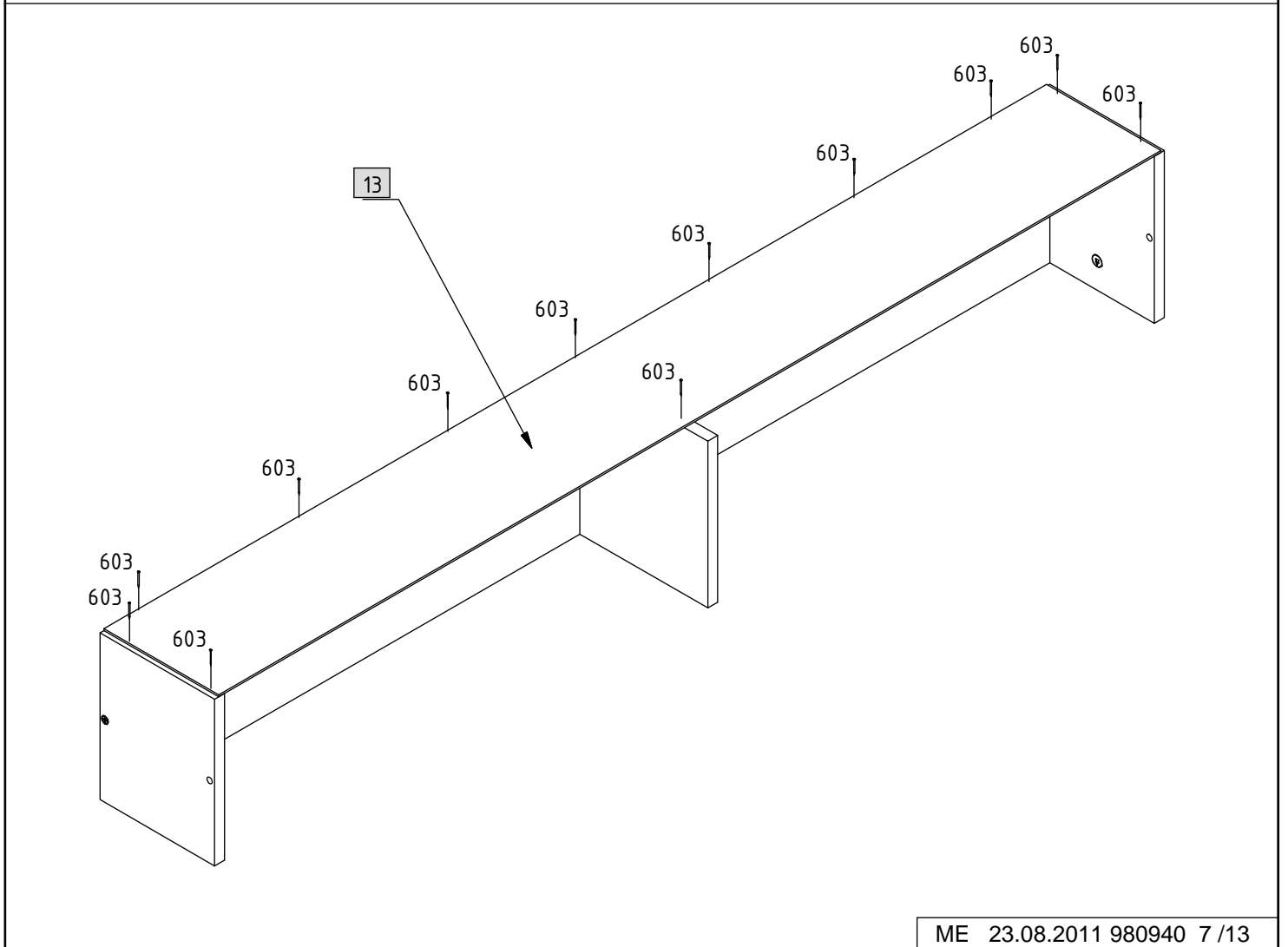
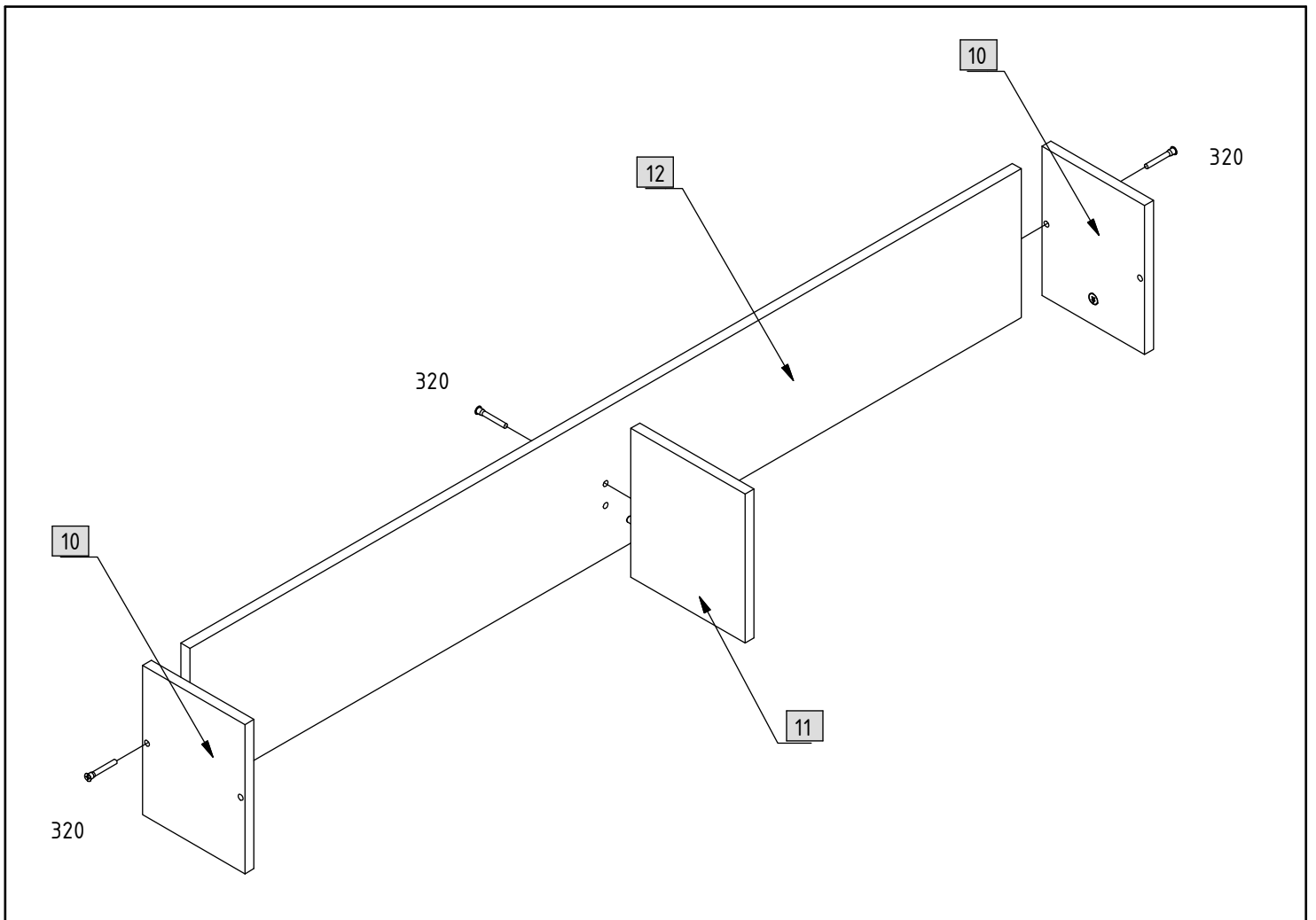


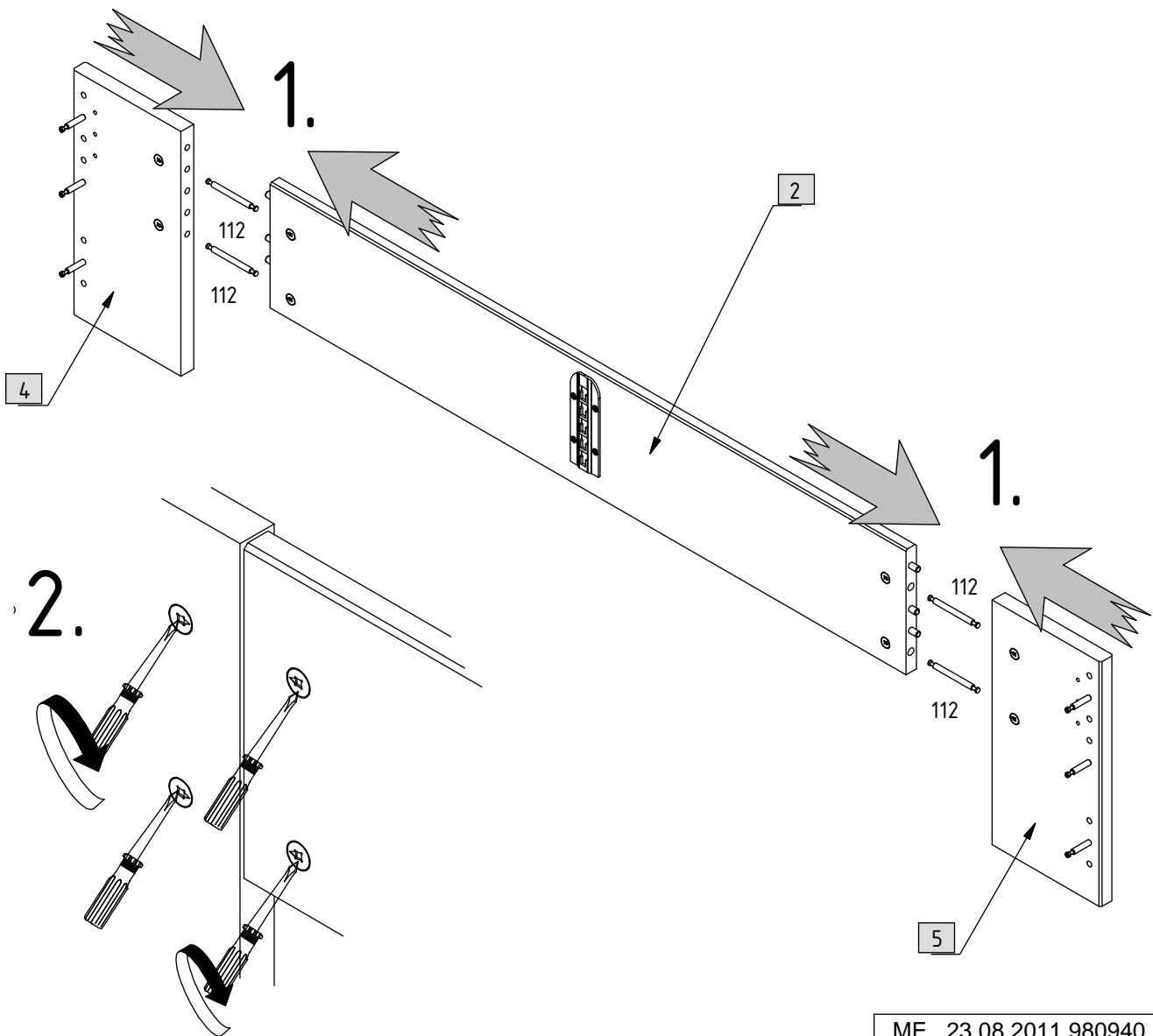
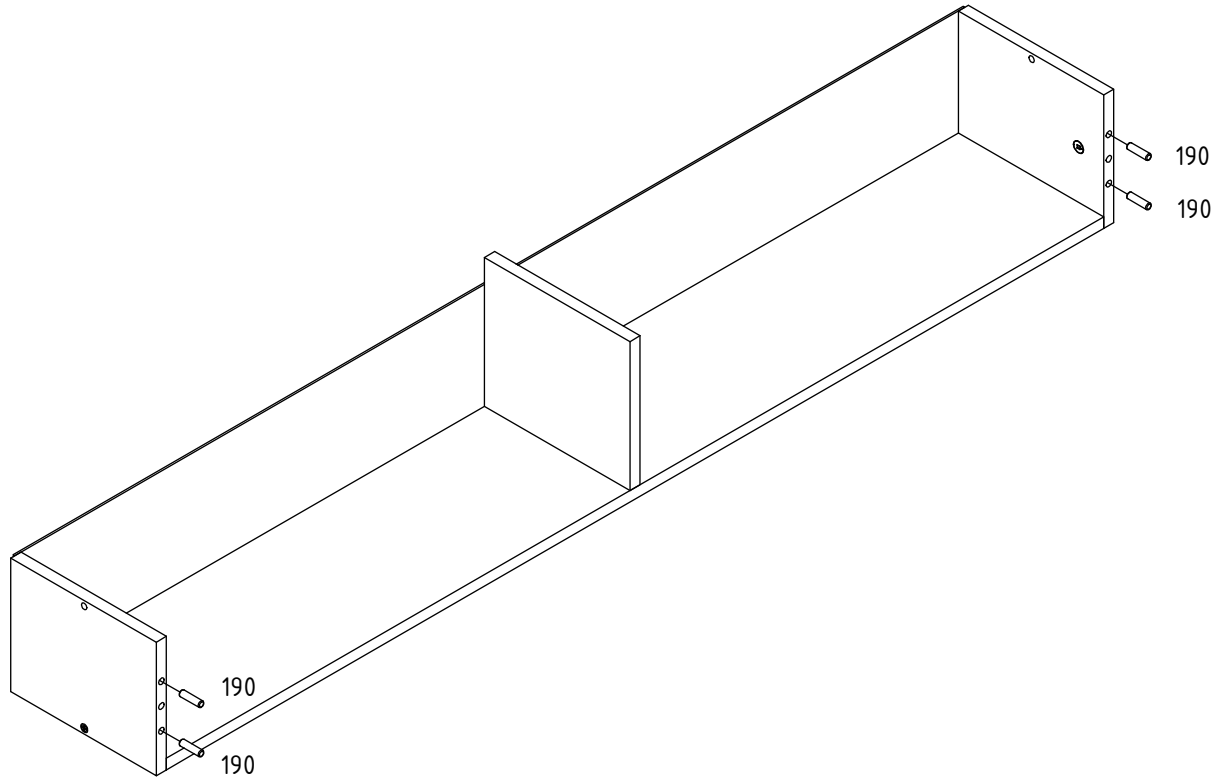


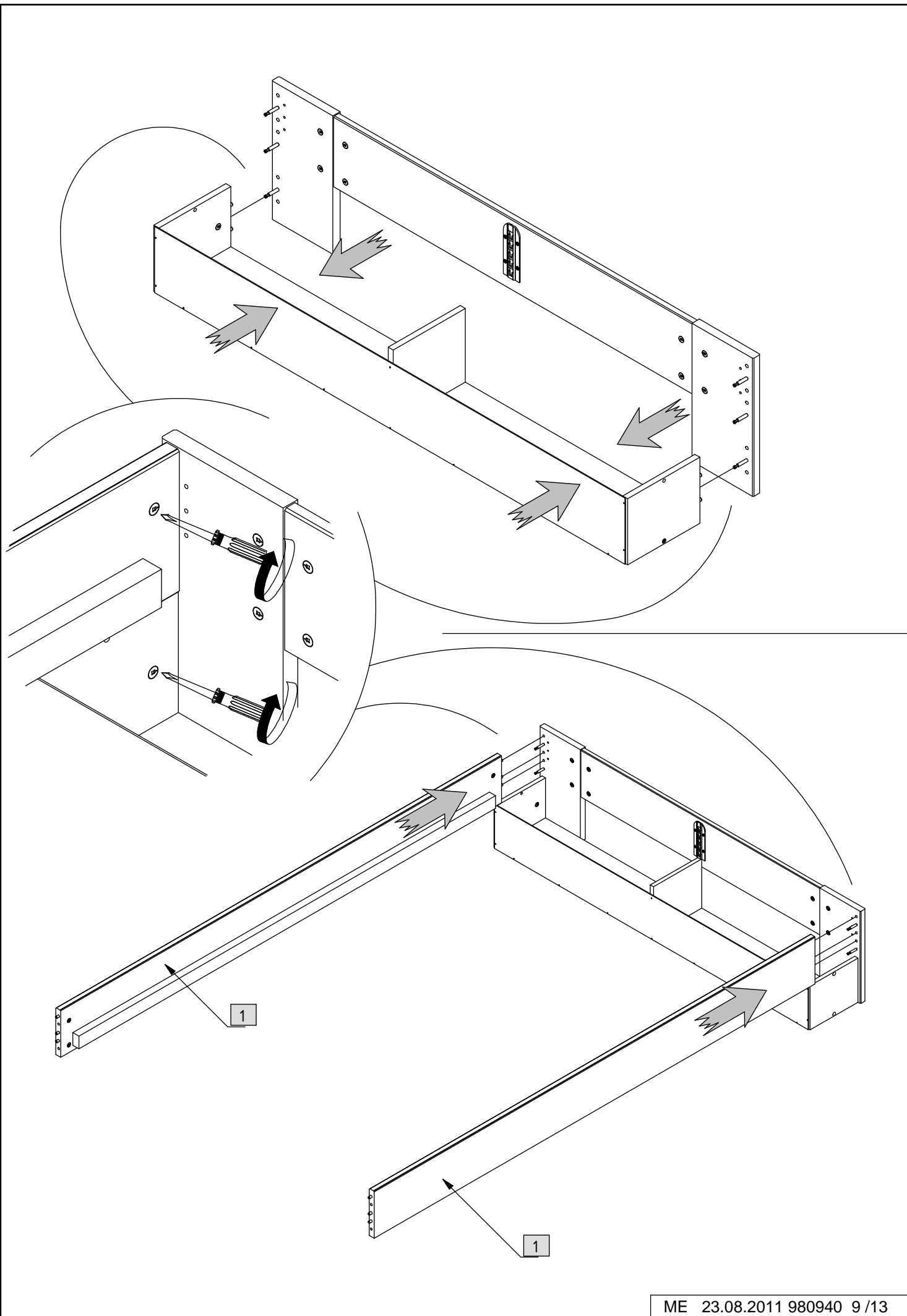
2 x

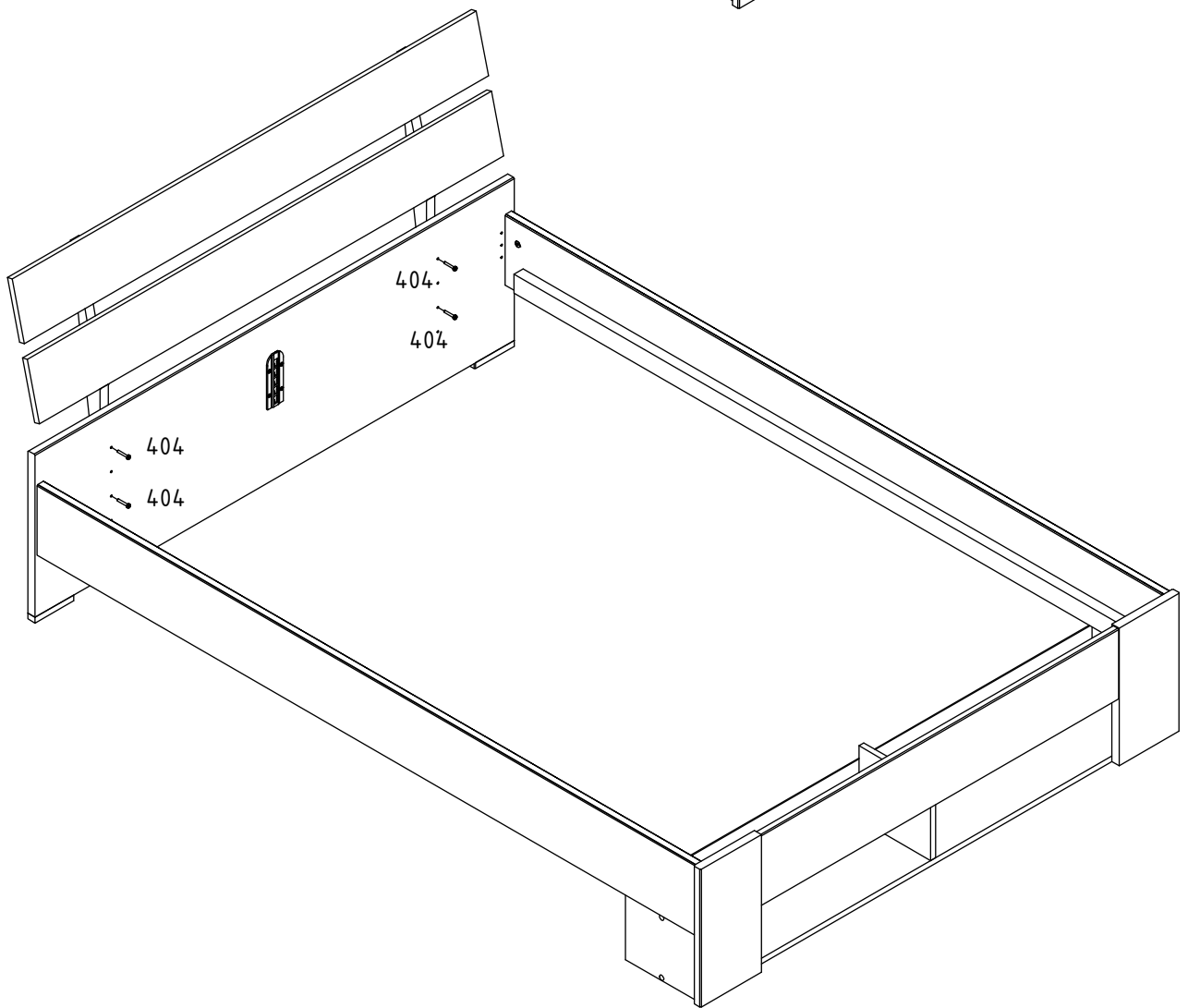
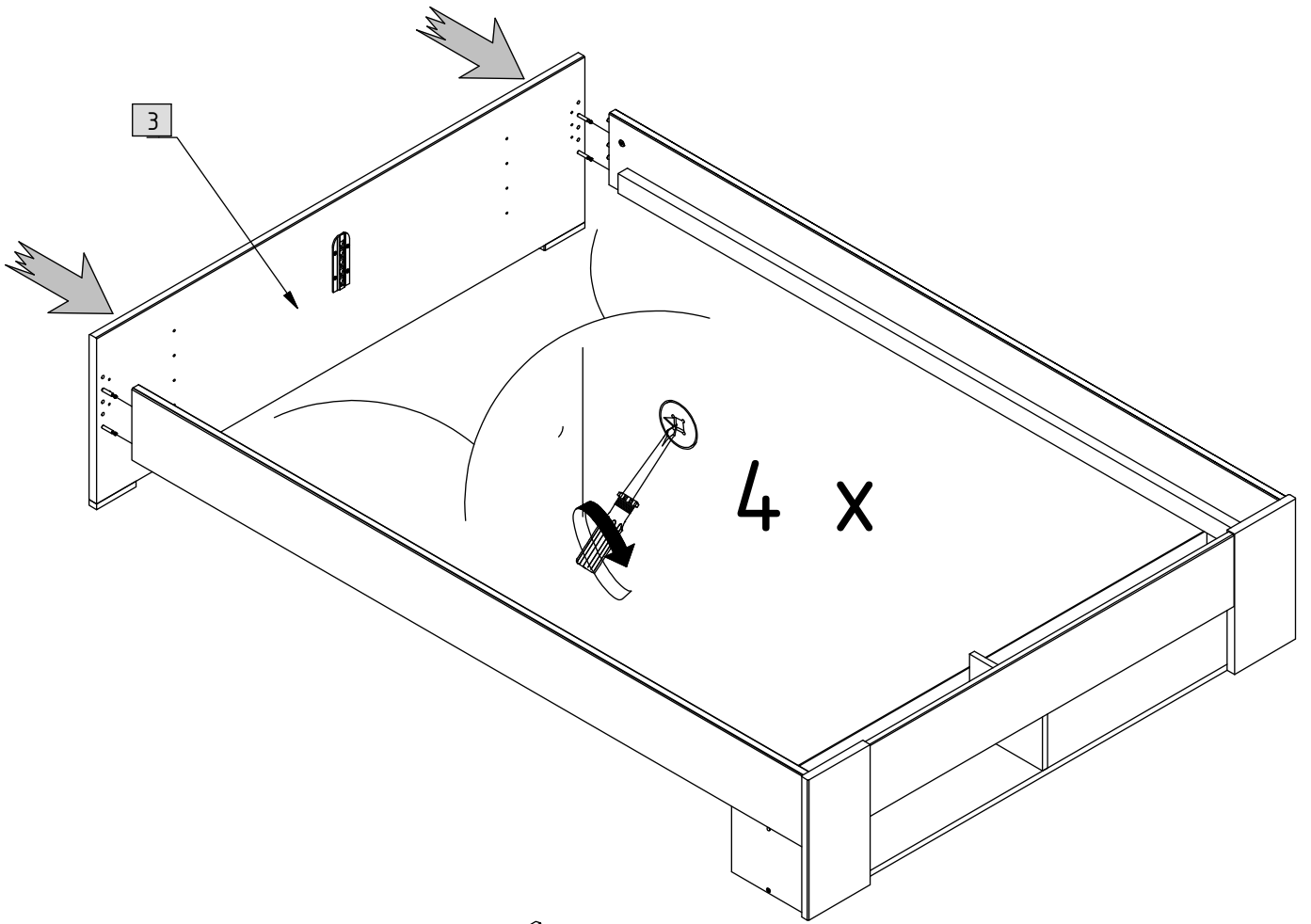
1 x



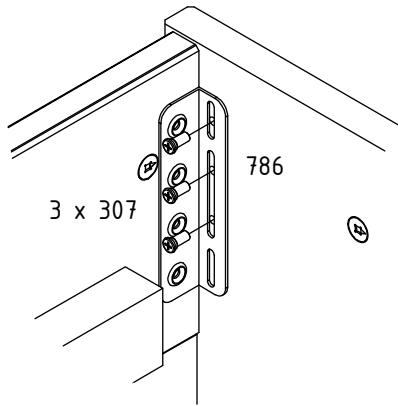




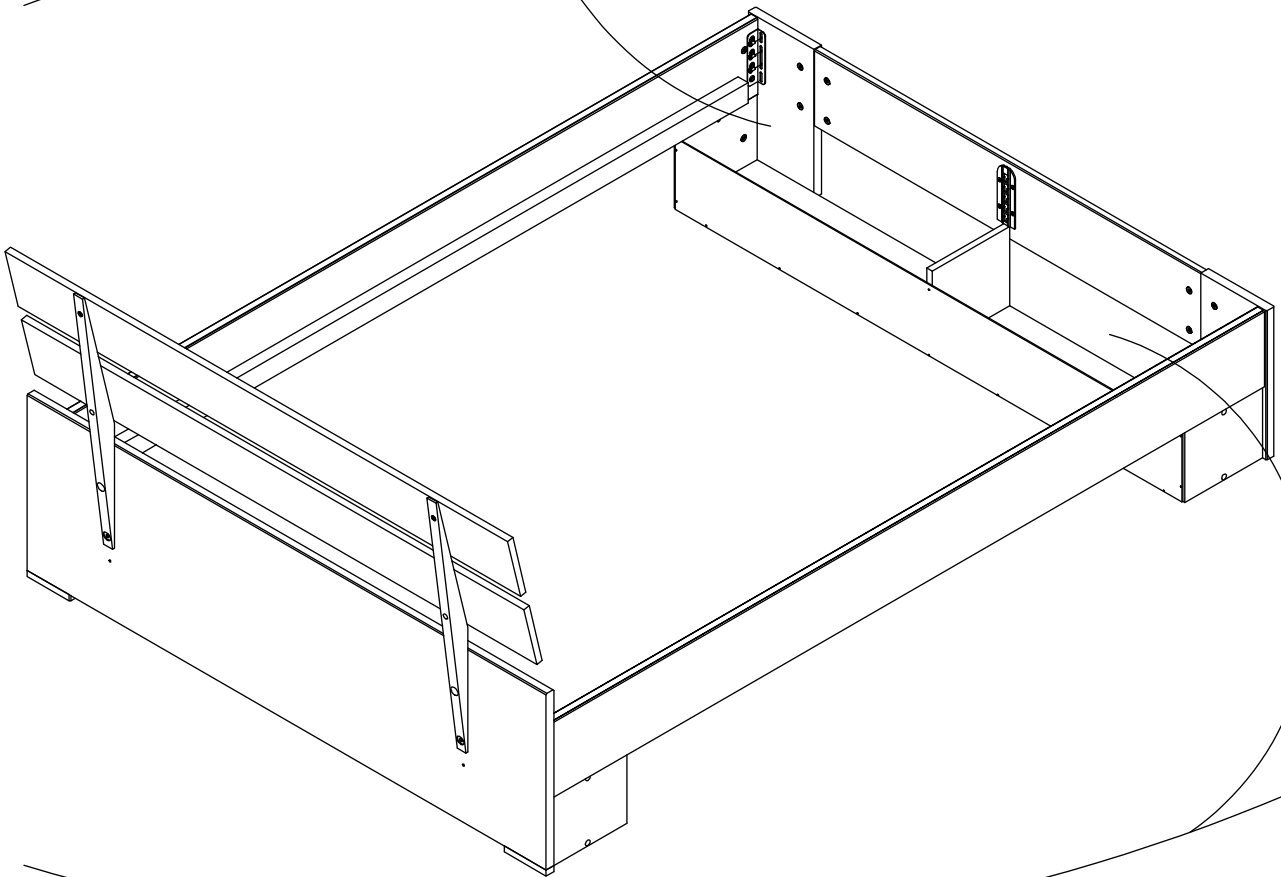
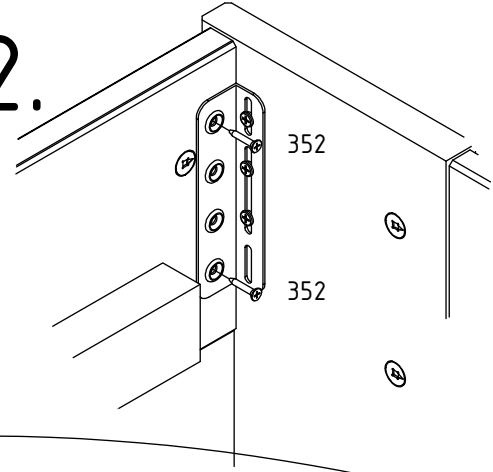




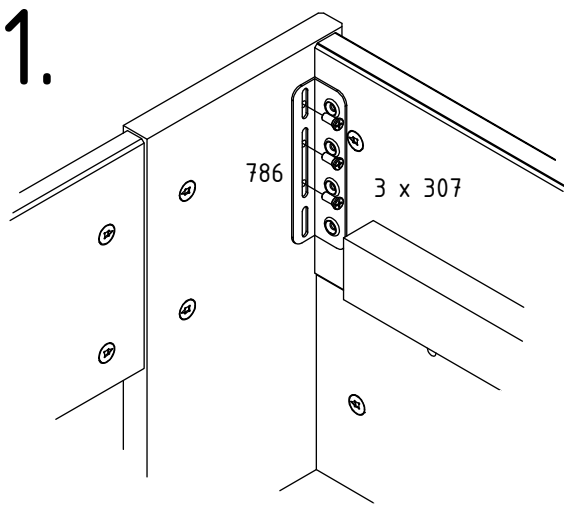
1.



2.



1.



2.

