

TUF GAMING A1

ESD-T1A

User Manual *In 37 Languages*

English	Norsk	Slovensky	Polski	Bahasa Melayu
繁體中文	Svenska	Magyar	Русский	한국어
簡體中文	Eesti	Română	Português	ไทย
Français	Lietuvių	Українська	Ελληνικά	Tiếng Việt
Deutsch	Latviešu	Қазақша	日本語	عربي
Italiano	Български	Türkçe	Bahasa Indonesia	فارسی
Dansk	Slovenščina	Español		עברית
Suomi	Čeština	Nederlands		

Q20078

First Edition / May 2022

Copyright © 2022 ASUSTeK Computer Inc.

All Rights Reserved.



1 5 0 6 0 - 2 0 N 0 0 0 0 0

**Copyright © 2022 ASUSTeK Computer Inc.
All Rights Reserved.**

No part of this manual, including the products and software described in it, may be reproduced, transmitted, transcribed, stored in a retrieval system, or translated into any language in any form or by any means, except documentation kept by the purchaser for backup purposes, without the express written permission of ASUSTek Computer Inc. ("ASUS").

Product warranty or service will not be extended if: (1) the product is repaired, modified or altered, unless such repair, modification or alteration is authorized in writing by ASUS; or (2) the serial number of the product is defaced or missing.

Products and corporate names appearing in this manual may or may not be registered trademarks or copyrights of their respective companies, and are used only for identification or explanation and to the owners' benefit, without intent to infringe.

Safety Information

安全說明：

- 請在溫度為0°C (32°F)至40°C (104°F)之間的環境中使用本產品
- 請依照產品上的電源功率貼紙說明使用正確的供電方式,如果使用錯誤有可能會造成內部零件的損壞
- 請勿將產品放置於不平坦或不穩定的表面,若產品的機殼毀損,請聯絡維修服務人員
- 請勿在產品上放置其他物品,請勿將任何物品塞入產品內,以避免引起元件短路,電路損毀以及因散熱不良而導致系統過熱
- 請保持機器在乾燥的環境下使用,雨水. 溼氣. 液體等含有礦物質將會腐蝕電子線路,請勿在雷電天氣下使用
- 請勿使用破損的線材,附件或其他周邊產品
- 如果產品已毀損,請不要嘗試自行修復,請將其交給專業技術服務人員或經銷商來處理
- 為了防止電擊風險,在移動產品之前,請先將電源線插頭暫時從電源插座上拔除
- 產品中文名稱: SSD外接盒
- 產品型號: ESD-T1A
- 產品規格: DC 5V

Safety Notices :

- Use this product in environments with ambient temperatures between 0°C(32°F) and 40°C(104°F).
- Refer to the rating label on your product and ensure your power supply complies with this rating.
- DO NOT place on uneven or unstable work surfaces. Seek servicing if the casing has been damaged.
- DO NOT place or drop objects on top and do not shove any foreign objects into the product.
- DO NOT expose to or use near liquids, rain, or moisture. DO NOT use the product during electrical storms.
- DO NOT use damaged cables, accessories, or other peripherals.
- If your product is broken, do not try to fix it by yourself. Contact a qualified service technician or your retailer.
- To prevent electrical shock hazard, disconnect the cable from the electrical outlet before relocating the system.
- Product name: External SSD Enclosure
- Product model: ESD-T1A
- Rating: DC 5V

Consignes de sécurité :

- Utilisez ce produit dans des environnements avec une température comprise entre 0°C et 40°C.
- Référez-vous à l'étiquette de cote énergétique et assurez-vous que la source d'alimentation est conforme à la cote énergétique du produit.
- NE PAS placer l'appareil sur des surfaces irrégulières ou instables. Si le boîtier de votre appareil est endommagé, contactez le service client ou votre revendeur.
- NE PAS placer ou faire tomber un objet sur cet appareil ou tenter d'y insérer un objet.
- NE PAS exposer à la pluie ou à l'humidité, tenez-le à distance des liquides. NE PAS utiliser l'appareil pendant un orage.

- NE PAS utiliser de cordons d'alimentation, d'accessoires ou autres périphériques endommagés.
- NE PAS tenter de réparer vous-même votre appareil. Contactez un technicien qualifié ou votre revendeur.
- Afin d'éviter tout risque d'électrocution, déconnectez le câble de la prise électrique avant de déplacer l'appareil.
- Nom du produit : Boîtier SSD externe
- Modèle : ESD-T1A
- Tension nominale : 5V CC

Sicherheitshinweise:

- Benutzen Sie das Gerät nur in Umgebungen, die eine Temperatur von 0 °C (32 °F) bis 40 °C (104 °F) aufweisen.
- Prüfen Sie das Typenschild an Ihrem Gerät, um sicherzustellen, dass das Netzteil mit der Nennleistung Ihres Geräts übereinstimmt.
- Stellen Sie dieses Gerät NICHT auf schräge oder instabile Arbeitsflächen. Falls das Gehäuse Ihres Geräts beschädigt wird, wenden Sie sich an den Kundendienst oder Ihren Händler.
- Legen Sie KEINE Gegenstände auf das Gerät, lassen Sie keine Gegenstände darauf fallen und schieben Sie keine Fremdkörper in das Gerät.
- Setzen Sie das Gerät KEINESFALLS Flüssigkeiten, Regen oder Feuchtigkeit aus. Verwenden Sie das Gerät NICHT während eines Gewitters.
- Benutzen Sie KEINE beschädigten Kabel, Zubehörteile oder sonstigen Peripheriegeräte.
- Versuchen Sie NICHT, das Gerät selbst zu reparieren. Kontaktieren Sie einen qualifizierten Fachmann oder Ihren Händler.
- Um die Gefahr eines Stromschlags zu verhindern, trennen Sie das Netzkabel von der Steckdose, bevor Sie das Gerät an einem anderen Ort aufstellen.
- Produktname: Externes SSD-Gehäuse
- Produktmodell: ESD-T1A
- Leistung: DC 5V

ASUS Recycling / Takeback Services

ASUS recycling and takeback programs come from our commitment to the highest standards for protecting our environment. We believe in providing solutions for our customers to be able to responsibly recycle our products, batteries and other components as well as the packaging materials. Please go to <http://csr.asus.com/english/Takeback.htm> for detail recycling information in different region.

Vietnam RoHS

ASUS products sold in Vietnam, on or after September 23, 2011, meet the requirements of the Vietnam Circular 30/2011/TT-BCT.

Các sản phẩm ASUS bán tại Việt Nam, vào ngày 23 tháng 9 năm 2011 trở về sau, đều phải đáp ứng các yêu cầu của Thông tư 30/2011/TT-BCT của Việt Nam.

FCC COMPLIANCE INFORMATION

Per FCC Part 2 Section 2.1077



Responsible Party: **Asus Computer International**
Address: 48720 Kato Rd, Fremont, CA 94538
Phone/Fax No: (510)739-3777/(510)608-4555

hereby declares that the product

Product Name : External SSD Enclosure
Model Number : ESD-T1A

compliance statement:

This device complies with part 15 of the FCC Rules. Operation is subject to the following two conditions: (1) This device may not cause harmful interference, and (2) this device must accept any interference received, including interference that may cause undesired operation.

Ver. 180620

Australia Statement Notice

From 1 January 2012 updated warranties apply to all ASUS products, consistent with the Australian Consumer Law. For the latest product warranty details please visit <http://support.asus.com>. Our goods come with guarantees that cannot be excluded under the Australian Consumer Law. You are entitled to a replacement or refund for a major failure and compensation for any other reasonably foreseeable loss or damage. You are also entitled to have the goods repaired or replaced if the goods fail to be of acceptable quality and the failure does not amount to a major failure. If you require assistance please call ASUS Customer Service 1300 2787 88 or visit us at <http://support.asus.com>.

User Manual : Class B(section 15.105)

This equipment has been tested and found to comply with the limits for a Class B digital device, pursuant to part 15 of the FCC Rules. These limits are designed to provide reasonable protection against harmful interference in a residential installation. This equipment generates, uses and can radiate radio frequency energy and, if not installed and used in accordance with the instructions, may cause harmful interference to radio communications. However, there is no guarantee that interference will not occur in a particular installation. If this equipment does cause harmful interference to radio or television reception, which can be determined by turning the equipment off and on, the user is encouraged to try to correct the interference by one or more of the following measures:

- Reorient or relocate the receiving antenna.
- Increase the separation between the equipment and receiver.
- Connect the equipment into an outlet on a circuit different from that to which the receiver is connected.
- Consult the dealer or an experienced radio/TV technician for help.

India RoHS

This product complies with the "India E-Waste (Management) Rules, 2016" and prohibits use of lead, mercury, hexavalent chromium, polybrominated biphenyls (PBBs) and polybrominated diphenyl ethers (PBDEs) in concentrations exceeding 0.1% by weight in homogenous materials and 0.01% by weight in homogenous materials for cadmium, except for the exemptions listed in Schedule II of the Rule.

EU REACH and Article 33

Complying with the REACH (Registration, Evaluation, Authorisation, and Restriction of Chemicals) regulatory framework, we published the chemical substances in our products at ASUS REACH website at <http://csr.asus.com/english/REACH.htm>.

Die rechtliche Rahmenbedingungen für REACH (Registration, Evaluation, Authorisation, and Restriction of Chemicals) erfüllend, veröffentlichen wir die chemischen Substanzen in unseren Produkten auf unserer ASUS REACH-Webseite unter <http://csr.asus.com/english/REACH.htm>.



电子电器产品有害物质限制使用标识要求：图中之数字为产品之环保使用期限。仅指电子电器产品中含有的有害物质不致发生外泄或突变从而对环境造成污染或对人身、财产造成严重损害的期限。

有害物质名称及含量说明标示：

部件名称	有害物质					
	铅 (Pb)	汞 (Hg)	镉 (Cd)	六价铬 (Cr(VI))	多溴联苯 (PBB)	多溴二苯醚 (PBDE)
印刷电路板及其电子组件	×	○	○	○	○	○
外壳	×	○	○	○	○	○
外部信号接头及线材	×	○	○	○	○	○

本表格依据 SJ/T 11364 的规定编制。

○：表示该有害物质在该部件所有均质材料中的含量均在 GB/T 26572 规定的限量要求以下。

×：表示该有害物质至少在该部件的某一均质材料中的含量超出 GB/T 26572 规定的限量要求，然该部件仍符合欧盟指令 2011/65/EU 的规范。

备注：此产品所标示之环保使用期限，系指在一般正常使用状况下。

Compliance Statement of Innovation, Science and Economic Development Canada (ISED)

This device complies with *Innovation, Science, and Economic Development Canada* licence exempt RSS standard(s). Operation is subject to the following two conditions: (1) this device may not cause interference, and (2) this device must accept any interference, including interference that may cause undesired operation of the device.

CAN ICES-003(B)/NMB-003(B)

Déclaration de conformité de Innovation, Sciences et Développement économique Canada (ISED)

Le présent appareil est conforme aux CNR d'*Innovation, Sciences et Développement économique Canada* applicables aux appareils radio exempts de licence. L'exploitation est autorisée aux deux conditions suivantes : (1) l'appareil ne doit pas produire de brouillage, et (2) l'utilisateur de l'appareil doit accepter tout brouillage radioélectrique subi, même si le brouillage est susceptible d'en compromettre le fonctionnement.

CAN ICES-003(B)/NMB-003(B)

EU RoHS

This product complies with the EU RoHS Directive. For more details, see <http://csr.asus.com/english/article.aspx?id=35>.

Declaration of Compliance for Product Environmental Regulation

ASUS follows the green design concept to design and manufacture our products, and makes sure that each stage of the product life cycle of ASUS product is in line with global environmental regulations. In addition, ASUS disclose the relevant information based on regulation requirements.

Please refer to <http://csr.asus.com/Compliance.htm> for information disclosure based on regulation requirements ASUS is complied with.

Turkey RoHS

AEEE Yönetmeliğine Uygundur.

VCCI-B

この装置は、クラス B 情報技術装置です。この装置は、家庭環境で使用することを目的としていますが、この装置がラジオやテレビジョン受信機に近接して使用されると、受信障害を引き起こすことがあります。

取扱説明書に従って正しい取り扱いをして下さい。

Safety Precautions (安全上のご注意)

付属品は当該専用品です。他の機器には使用しないでください。機器の破損もしくは、火災や感電の原因となることがあります。

UK Declaration of Conformity for Non-RF Equipment

ASUSTek Computer Inc. hereby declares that this device is in compliance with the essential requirements and other relevant provisions of related Regulations. Full text of UKCA declaration of conformity is available at: <https://www.asus.com/support/>.

EU Declaration of Conformity for Non-RF Equipment

English ASUSTek Computer Inc. hereby declares that this device is in compliance with the essential requirements and other relevant provisions of related Directives. Full text of EU declaration of conformity is available at:
<https://www.asus.com/support/>.

Français AsusTek Computer Inc. déclare par la présente que cet appareil est conforme aux critères essentiels et autres clauses pertinentes des directives concernées. La déclaration de conformité de l'UE peut être téléchargée à partir du site Internet suivant : www.asus.com/support

Deutsch ASUSTeK Computer Inc. erklärt hiermit, dass dieses Gerät mit den wesentlichen Anforderungen und anderen relevanten Bestimmungen der zugehörigen Richtlinien übereinstimmt. Der gesamte Text der EU-Konformitätserklärung ist verfügbar unter: www.asus.com/support

Italiano ASUSTeK Computer Inc. con la presente dichiara che questo dispositivo è conforme ai requisiti essenziali e alle altre disposizioni pertinenti con le direttive correlate. Il testo completo della dichiarazione di conformità UE è disponibile all'indirizzo: www.asus.com/support

Русский Компания ASUS заявляет, что это устройство соответствует основным требованиям и другим соответствующим условиям соответствующих директив. Подробную информацию, пожалуйста, смотрите на www.asus.com/support

Български С настоящото ASUSTeK Computer Inc. декларира, че това устройство е в съответствие със съществените изисквания и другите приложими постановления на свързаните директиви. Пълният текст на декларацията за съответствие на ЕС е достъпна на адрес: www.asus.com/support

Hrvatski ASUSTeK Computer Inc. ovim izjavljuje da je ovaj uređaj sukladan s bitnim zahtjevima i ostalim odgovarajućim odredbama vezanih direktiva. Cijeli tekst EU izjave o sukladnosti dostupan je na: www.asus.com/support

Čeština Společnost ASUSTeK Computer Inc. tímto prohlašuje, že toto zařízení splňuje základní požadavky a další příslušná ustanovení souvisejících směrnic. Plné znění prohlášení o shodě EU je k dispozici na adrese: www.asus.com/support

Nederlands ASUSTeK Computer Inc. verklaart hierbij dat dit apparaat voldoet aan de essentiële vereisten en andere relevante bepalingen van de verwante richtlijnen. De volledige tekst van de EU-verklaring van conformiteit is beschikbaar op: www.asus.com/support

Ελληνικά Με το παρόν, η AsusTek Computer Inc. δηλώνει ότι αυτή η συσκευή συμμορφώνεται με τις θεμελιώδεις απαιτήσεις και άλλες σχετικές διατάξεις των Οδηγιών της ΕΕ. Το πλήρες κείμενο της δήλωσης συμβατότητας είναι διαθέσιμο στη διεύθυνση: www.asus.com/support

Magyar Az ASUSTeK Computer Inc. ezennel kijelenti, hogy ez az eszköz megfelel a kapcsolódó Irányelvek lényeges követelményeinek és egyéb vonatkozó rendelkezéseinek. Az EU megfelelőségi nyilatkozat teljes szövege innen letölthető: www.asus.com/support

Polski Firma ASUSTeK Computer Inc. niniejszym oświadcza, że urządzenie to jest zgodne z zasadniczymi wymogami i innymi właściwymi postanowieniami powiązanych dyrektyw. Pełny tekst deklaracji zgodności UE jest dostępny pod adresem: www.asus.com/support

Português A ASUSTeK Computer Inc. declara que este dispositivo está em conformidade com os requisitos essenciais e outras disposições relevantes das Diretivas relacionadas. Texto integral da declaração da UE disponível em: www.asus.com/support

Română ASUSTeK Computer Inc. declară că acest dispozitiv se conformează cerințelor esențiale și altor prevederi relevante ale directivelor conexe. Textul complet al declarației de conformitate a Uniunii Europene se găsește la: www.asus.com/support

Slovensky Spoločnosť ASUSTeK Computer Inc. týmto vyhlasuje, že toto zariadenie vyhovuje základným požiadavkám a ostatným príslušným ustanoveniam príslušných smerníc. Celý text vyhlásenia o zhode pre štáty EÚ je dostupný na adrese: www.asus.com/support

Español Por la presente, ASUSTeK Computer Inc. declara que este dispositivo cumple los requisitos básicos y otras disposiciones pertinentes de las directivas relacionadas. El texto completo de la declaración de la UE de conformidad está disponible en: www.asus.com/support

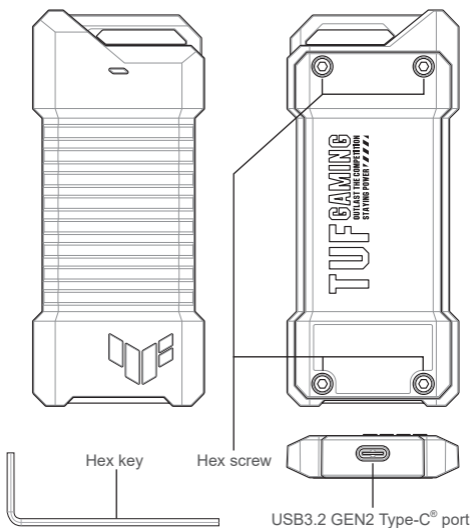
Українська ASUSTeK Computer Inc. заявляє, що цей пристрій відповідає основним вимогам та іншим відповідним положенням відповідних Директив. Повний текст декларації відповідності стандартам ЄС доступний на: www.asus.com/support

Türkçe AsusTek Computer Inc., bu aygıtın temel gereksinimlerle ve ilişkili Yönergelerin diğer ilgili koşullarıyla uyumlu olduğunu beyan eder. AB uygunluk bildiriminin tam metni şu adreste bulunabilir: www.asus.com/support

עברית ASUSTek Computer Inc. מצהירה בזאת שהמכשיר הזה תואם לדרישות הבסיסיות ולתנאים רלוונטיים אחרים שבהנחיות הרלוונטיות. אפשר למצוא את הצהרת התאימות לאיחוד האירופי בכתובת: [.https://www.asus.com/support](https://www.asus.com/support)

Product Overview

產品一覽及規格



Specifications Summary

Dimension	125.28mm(L) x 54.27mm(W) x 13.30mm(H)
Weight	142g
OS Compatibility	Windows 7 or later Mac OS X 10.6 or later
Interface	USB 3.2 GEN 2 Type-C® (Compatible with USB 3.2 GEN 1/ USB 2.0)
Transferring speed	Up to 10 Gbps
SSD Compatibility	M.2 M Key PCIe(NVMe) SSD only with 2280, 2260, 2242, and M.2 SATA SSD
Voltage	DC 5V
Working Temperature	0°C(32°F) ~40°C(104°F)

* Specifications, content and product availability are all subject to change without notice and may differ from country to country.

以上產品之規格、圖片及其他資訊僅供參考，如與實際產品有任何不相符之處，應以實際產品為準。

* Actual performance may vary depending on applications, usage, environment and other factors.

本產品所標示之各項效能表現為各晶片廠商或各制定介面官方組織所提出的最大理論值，實際效能可能因規格及設備而有所不同。

English

- The transfer speed may vary depending on your devices and SSDs.
- To take advantage of USB 3.2 Gen 2's high transfer rate, ensure that you have connected your product to your computer's USB 3.2 Gen 2 port.
- For the best power efficiency, ensure that you have connected your product to your computer using the bundled cables.
- For the best heat dissipation effects, please do not remove the attached thermal pad.
- For the best water resistance effects, please ensure the screws are properly tightened and secured.
- Ensure that you have backed-up all your data before sending your unit in for RMA service. We do not accept liability beyond this limited hardware warranty.
- This Warranty does not cover accessories, which were delivered together with this product, such as hex screws, hex key, and USB cables.

繁體中文

- 傳送速率可能因您的裝置和 SSD 而異。
- 為獲得最高效能，請將所附之 USB 3.2 Gen2 傳輸線連接至產品後，插入電腦上的 USB 3.2 Gen2 連接埠。
- 為獲得最佳電源效率，請確保使用隨附的線材連接至您的電腦。
- 為獲得最佳散熱效果，請勿移除上蓋所附之散熱片。
- 為獲得最佳防水效果，請務必將螺絲鎖緊。
- 在進行維修服務之前，請確保您已備份所有個人資料。除了此有限硬體保固所提供的補救措施外，我們不承擔任何責任。
- 保固不包含產品隨附的配件，如六角螺絲，六角扳手和 USB 線。

简体中文

- 传输速度可能因您的设备和 SSD 而异。
- 为获得上佳性能，请将所随附的 USB 3.2 Gen2 传输线连接至產品后，插入电脑上的 USB 3.2 Gen2 接口。
- 为获得上佳电源效率，请确保使用随附的传输线连接至您的电脑。
- 为获得上佳散热效果，请勿移除上盖所附的散热片。
- 为获得上佳防水效果，请确保将螺丝锁紧。
- 在进行维修服务之前，请确保您已备份所有个人数据。除了此有限硬件保修所提供的补救措施外，我们不承担任何责任。
- 保修不包含产品随附的配件，如六角螺丝、六角扳手和 USB 线。

Français

- La vitesse de transfert peut varier en fonction de vos appareils et du type de SSD.
- Pour tirer pleinement profit des vitesses de transfert élevées USB 3.2 Gen 2, assurez-vous d'avoir connecté votre produit au port USB 3.2 Gen 2 de votre ordinateur.
- Pour une meilleure efficacité énergétique, assurez-vous d'avoir connecté votre produit à votre ordinateur grâce aux câbles fournis.

- Pour une dissipation thermique optimale, ne retirez pas les pads thermiques déjà en place.
- Pour obtenir une meilleure étanchéité, assurez-vous que les vis sont correctement serrées et fixées.
- Assurez-vous d'avoir sauvegardé toutes vos données avant d'envoyer votre appareil au service de réparation. Nous déclinons toute responsabilité au-delà de cette garantie matérielle limitée.
- Cette garantie ne couvre pas les accessoires qui ont été livrés avec ce produit, tels que les vis hexagonales, la clé hexagonale et les câbles USB.

Deutsch

- Die Übertragungsgeschwindigkeit kann abhängig von Ihren Geräten und SSDs variieren.
- Um von der hohen USB 3.2 (Gen2)-Übertragungsrates zu profitieren, achten Sie darauf, dass Sie Ihr Gerät mit dem USB 3.2 (Gen2)-Anschluss Ihres Computers verbinden.
- Um die optimale Leistung zu erhalten, stellen Sie sicher, dass Sie Ihr Gerät über das mitgelieferte Kabel an Ihren Computer angeschlossen haben.
- Um eine optimale Wärmeableitung zu erreichen, entfernen Sie bitte nicht das angebrachte Wärmeleitpad.
- Um die besten Effekte für die Wasserfestigkeit zu erzielen, stellen Sie bitte sicher, dass die Schrauben richtig befestigt und angezogen sind.
- Achten Sie darauf, dass Sie alle Ihre Daten gesichert haben, bevor Sie Ihr Gerät für den RMA-Service einsenden. Wir übernehmen keine Haftung über diese eingeschränkte Hardwaregarantie hinaus.
- Diese Garantie erstreckt sich nicht auf das Zubehör, das zusammen mit diesem Produkt geliefert wurde, wie Sechskantschrauben, Inbusschlüssel und USB-Kabel.

Italiano

- La velocità di trasferimento potrebbe variare a seconda di dispositivo e SSD.
- Per sfruttare al massimo la velocità di trasferimento di USB 3.2 Gen 2 assicurati di collegare il prodotto alla porta USB 3.2 Gen 2 del tuo computer.
- Per ottenere la massima efficienza energetica assicurati di aver collegato il prodotto al computer usando i cavi in dotazione.
- Per prestazioni ottimali di dissipazione del calore assicurati di non rimuovere il cuscinetto termico.
- Per ottenere i migliori effetti di resistenza all'acqua, assicurarsi che le viti siano serrate e fissate correttamente.
- Prima di inviare il prodotto per il servizio RMA assicurati di aver eseguito una copia di backup dei tuoi dati. Non ci assumiamo responsabilità al di fuori della limitata garanzia sull'hardware.
- Questa garanzia non copre gli accessori forniti insieme a questo prodotto, come viti esagonali, chiavi esagonali e cavi USB.

Dansk

- Overførselshastigheden kan variere afhængigt af dine enheder og SSD-enheder.
- For at bruge høje overførselshastighed på USB 3.2 Gen 2-porten, skal du sørge for at forbinde produktet til din computers USB 3.2 Gen 2-port.
- For at opnå den bedste strømeffektivitet skal du sørge for, at forbinde dit produkt til din computer med de medfølgende kabler.
- For at opnå den bedste varmeafledningseffekt, må den fastgjorte varmepude ikke fjernes.
- For at opnå den bedst muligt vandtæthed, skal du sørge for, at skruerne sidder rigtigt og spændes ordentligt fast.
- Sørg for, at du har sikkerhedskopieret alle dine data, inden du sender din enhed til RMA-service. Vi accepterer ikke ansvar for noget udover denne begrænsede hardwaregaranti.
- Denne garanti dækker ikke tilbehøret, der følger med dette produkt, såsom unbrakoskruer, unbrakonøgler og USB-kabler.

Suomi

- Siirtonopeus voi vaihdella laitteiden ja SSD-levyn mukaan.
- Saadaksesi hyödyn USB 3.2 Gen 2:n korkeasta siirtonopeudesta, varmista että olet liittänyt tuotteesi tietokoneen USB 3.2 Gen 2 -portiin.
- Varmista parhaan virtatehokkuuden saamiseksi, että olet liittänyt tuotteesi tietokoneeseen toimitukseen kuuluvilla kaapeleilla.
- Saadaksesi parhaan lämmönpoistovaikutuksen, älä irrota kiinnitettyä lämpötyynyä.
- Parhaan vedenpitävyyden saavuttamiseksi varmista, että ruuvit on kiristetty ja kiinnitetty kunnolla.
- Varmista, että olet varmuuskopioinut kaikki tietosi ennen laitteesi lähettämistä RMA-palveluun. Me emme ota vastuuta tämän rajoitetun laitteistotakuun ulkopuolelta.
- Tämä takuu ei kata tämän tuotteen mukana toimitettuja lisävarusteita, kuten kuusioruuveja, kuusioavainta ja USB-kaapeleita.

Norsk

- Overføringshastigheten kan variere avhengig av enhetene og SSD-ene.
- For å ta nytte av den høye overføringshastigheten i USB 3.2 gen. 2 må du sørge for at du har koblet produktet til USB 3.2 gen. 2-porten på datamaskinen.
- For best mulig energieffektivitet må du sørge for at du har koblet produktet til datamaskinen ved hjelp av de kablene som følger med.
- For å få den beste varmeavledningseffekten, ikke fjern den medfølgende termiske puten.
- For best vannmotstand må du sørge for at skruene er strammet og sitter godt.
- Sørg for at du har sikkerhetskopiert alle dataene dine før du sender enheten inn for RMA-service. Vi tar ikke ansvar utover denne begrensede maskinvaregarantien.
- Denne garantien dekker ikke tilbehør som ble levert sammen med dette produktet, som sekskantskruer, sekskantnøkkel og USB-kabler.

Svenska

- Överföringshastigheten kan variera beroende på dina enheter och SSD:er.
- För att dra fördel av USB 3.2 gen 2:s höga överföringshastighet, se till att du har anslutit produkten till datorns USB 3.2 gen 2-port.
- För bästa energieffektivitet, se till att du har anslutit produkten till din dator med de medföljande kablarna.
- För den bästa värmeavledningseffekten, avlägsna inte den medföljande termiska dynan.
- För bästa vattenmotståndseffekt ska du se till att skruvarna är ordentligt åtdragna och säkrade.
- Se till att du har säkerhetskopierat alla data innan du skickar in enheten för RMA-service. Vi godkänner inget ansvar utöver denna begränsade maskinvarugaranti.
- Garantin omfattar inte tillbehör som levererades tillsammans med produkten, t.ex. insexskruvar, insexnycklar och USB-kablar.

Eesti

- Andmeülekanemiskiirus oleneb seadmest ja SSD-ketast.
- Kiireks USB 3.2 Gen 2 andmeülekanemiskiiruse kasutamiseks veenduge, et Teie seade on USB 3.2 Gen 2. pessa ühendatud.
- Andmeedastuse parimaks toimimiseks veenduge, et olete seadme ühendanud oma arvutiga komplektis oleva kaabli kaudu.
- Soojuse paremaks hajutamiseks ärge eemaldage seadmele kinnitatud termopadjandit.
- Selleks et vee vastupanuvõime oleks võimalikult tõhus, veenduge, et kruvid on nõuetekohaselt pingutatud ja kinnitatud.
- Veenduge, et olete kõik oma andmed enne Garantii-teenindusele ärasaatmist varundanud. Me ei võta vastutust väljaspool riistvara piiratud garantiid.
- See garantii ei kehti tarvikutele, mis on tarnitud koos selle tootega, näiteks kuuskantkruvid, kuuskantvõti ja USB-kaablid.

Lietuvių

- Duomenų perdavimo sparta gali skirtis, atsižvelgiant į jūsų įrenginius ir SSD diskus.
- Jei norite pasinaudoti didelės „USB 3.2 Gen 2“ duomenų perdavimo spartos pranašumu, jūsų įrenginys privalo būti prijungtas prie jūsų kompiuterio „USB 3.2 Gen 2“ prievado.
- Norėdami užtikrinti didžiausią energijos naudojimo efektyvumą, įrenginį prie savo kompiuterio būtinai prijunkite pateiktaisiais kabeliais.
- Nenuimkite uždėto termolipduko, kad geriau išsisklaidytų šiluma.
- Jei norite, kad atsparumas vandeniui būtų geriausias, įsitinkite, kad varžtai yra tinkamai, tvirtai priveržti.
- Būtinai sukurkite atsarginę visų savo duomenų kopiją, prieš išsiųsdami savo įrenginį RMA remontui. Mes neprisiimame jokios atsakomybės, išskyrus nurodytąją šioje ribotojoje aparatinės įrangos garantijoje.
- Ši garantija netaikoma priedams, kurie buvo pristatyti kartu su šiuo gaminiu, pavyzdžiui, šešiabriauniams varžtams, šešiabriauniams raktams ir USB kabeliams.

Latviešu

- Pārsūtīšanas ātrums var atšķirties atkarībā no ierīcēm un SSD.
- Lai izmantotu USB 3.2 Gen 2 lielo pārsūtīšanas ātrumu, pārliecinieties, vai ierīce ir pievienota datora USB 3.2 General 2 pieslēgvietai.
- Lai nodrošinātu labāko enerģijas efektivitāti, pārliecinieties, vai ierīce ir pievienota datoram, izmantojot klātpievienotos kabelus.
- Lai iegūtu vislabāko siltumatdeves efektu, nenoņemiet pievienoto termisko paliktņi.
- Lai nodrošinātu labāko ūdens necaurlaidību, pārliecinieties, vai skrūves ir kārtīgi pievilktas un nostiprinātas.
- Pārliecinieties, vai esat dublējis visus datus pirms ierīces nosūtīšanas uz RMA aparātūras remontu. Mēs neuzņemamies atbildību par garantiju, kas nav iekļauta šajā ierobežotajā aparātūras garantijā.
- Šī garantija neattiecas uz piederumiem, kas piegādāti kopā ar šo produktu, piemēram, sešstūra skrūvēm, sešstūra atslēgu un USB kabeliem.

Български

- Скоростта на прехвърляне може да варира в зависимост от Вашите устройства и SSD.
- За да се възползвате от високата скорост на прехвърляне на USB 3.2 Gen 2, уверете се, че Вашият продукт е свързан към порта USB 3.2 Gen 2 на Вашия компютър.
- За най-голяма енергийна ефективност, Вашият продукт трябва да е свързан към Вашия компютър с помощта на предоставените кабели.
- За най-добър ефект на разсейване на топлината не отстранявайте прикрепената термална подложка.
- За най-добра водоустойчивост, уверете се, че винтовете са правилно затегнати и закрепени.
- Уверете се, че сте архивирали всичките си данни, преди да изпратите своето устройство за RMA ремонт. Не носим отговорност извън тази ограничена гаранция за хардуера.
- Тази гаранция не покрива аксесоари, предоставени заедно с този продукт, като шестостенни винтове, ключ шестостен и USB кабели.

Slovenščina

- Hitrost prenosa je lahko odvisna od vaših naprav in polprevodniških pogonov (SSD).
- Če želite izkoristiti prednost visoke hitrosti prenosa, ki jo zagotavlja USB 3.2 Gen 2, morate svoj izdelek priključiti na priključek USB 3.2 Gen 2 na računalniku.
- Priključite svoj izdelek na računalnik s priloženimi kabli, da omogočite najboljšo porabo energije.
- Ne odstranite nameščene toplotne podloge, da omogočite najboljše odvajanje toplote.
- Za najboljši učinek vodoodpornosti se prepričajte, da boste vijake dobro zategnili in pritrdili.
- Pred pošiljanjem svoje naprave v popravilo RMA ne pozabite varnostno kopirati vseh svojih podatkov. Razen te omejene garancije za strojno opremo ne sprejemamo nobene druge odgovornosti.
- Ta garancija ne zagotavlja kritja za dodatno opremo, ki je bila priložena temu izdelku, kot so vijaki s šestrobo glavo, imbus ključ in kabli USB.

Čeština

- Přenosová rychlost se může lišit v závislosti na zařízeních a jednotkách SSD.
- Aby bylo možné využít vysoké přenosové rychlosti USB 3.2 Gen 2, připojte svůj produkt k portu USB 3.2 Gen 2 počítače.
- Aby byla zajištěna optimální úspora energie, připojte svůj produkt k počítači dodanými kabely.
- Pro zajištění optimálního rozptylu tepla neodstraňujte nainstalovanou podložku pod chladič.
- Aby byla zajištěna optimální voděodolnost, zkontrolujte, zda jsou šrouby řádně utažené a zajištěné.
- Před odesláním vašeho zařízení k opravě RMA zazálohujte všechna svoje data. Nepřejímáme žádnou odpovědnost mimo tuto omezenou záruku.
- Tato záruka se nevztahuje na příslušenství, které bylo dodáno s tímto výrobkem, například šrouby se šestihrannou hlavou, šestihranný klíč a kabely USB.

Slovensky

- Prenosová rýchlosť sa môže líšiť v závislosti od vášho zariadenia a diskov SSD.
- Ak chcete využiť výhody vysokej prenosovej rýchlosti USB 3.2 Gen 2, svoje zariadenie musíte zapojiť do portu USB 3.2 Gen2.
- Ak chcete dosiahnuť najlepšiu účinnosť energie, musíte svoje zariadenie pripojiť k počítaču pomocou dodaných káblov.
- Aby sa dosiahol čo najlepší účinok rozptylu tepla, neodstraňujte pripojenú tepelnú podložku.
- Na dosiahnutie čo najlepšieho účinku odolnosti voči vode zabezpečte, aby boli skrutky správne pritiahnuté a zaistené.
- Pred odoslaním zariadenia na vykonanie servisu RMA si musíte vyzálohovať všetky údaje. Nad rámec tejto limitovanej záruky na hardvér nepreberáme žiadnu zodpovednosť.
- Táto záruka sa nevzťahuje na príslušenstvo, ktoré bolo dodané spolu s výrobkom, ako sú skrutky s hlavou s vnútorným šesťhranom, šesťhranný kľúč a káble USB.

Magyar

- Az átviteli sebesség változhat az eszköztől és SSD-ktől függően.
- Ahhoz hogy kihasználja az USB 3.2 Gen 2 nagy sebességű adatátvitelét, győződjön meg, hogy csatlakoztatta a termékét a számítógép USB 3.2 Gen 2 portjához.
- A legjobb áramellátáshoz győződjön meg, hogy csatlakoztatta a termékét a számítógéphez a szállított kábelekkel.
- A legjobb hőelvonás érdekében kérjük ne távolítsa el a hőelvonó padot.
- A legjobb vízállóság érdekében kérjük, gondoskodjon a csavarok megfelelő meghúzásáról és rögzítéséről.
- Győződjön meg, hogy készített biztonsági mentést minden adatról, mielőtt az egységet RMA szervízbe küldi. Nem vállalunk felelősséget a korlátozott garancián túl.
- Ez a garancia nem vonatkozik a termékkel együtt szállított tartozékokra, például a hatlapos csavarokra, az imbuszkulcsokra és az USB-kábelekre.

Română

- Viteza de transfer poate diferi în funcție de dispozitivele și de unitățile dvs. SSD.
- Pentru a profita de viteza ridicată de transfer oferită de USB 3.2 Gen 2, asigurați-vă că ați conectat produsul la portul USB 3.2 Gen 2 al calculatorului dvs.
- Pentru eficientizarea consumului de energie, asigurați-vă că ați conectat produsul la calculator folosind cablurile incluse.
- Pentru efecte optime de disipare a căldurii, vă rugăm să nu îndepărtați pad-ul termic atașat.
- Pentru cele mai bune efecte de rezistență la apă, vă rugăm să vă asigurați că șuruburile sunt bine strânse și fixate.
- Asigurați-vă că ați efectuat o copie de siguranță a tuturor datelor înainte de a trimite produsul spre servisare în cadrul procedurii RMA. Nu ne asumăm nicio altă răspundere în afara acestei garanții hardware limitate.
- Garanția nu acoperă accesoriile, care au fost livrate împreună cu acest produs, cum ar fi șuruburile hexagonale, cheia hexagonală și cablurile USB.

Українська

- Швидкість передачі може відрізнятись залежно від пристроїв і твердотільних дисків.
- Щоб найкраще використати високу швидкість передачі USB 3.2 Gen 2, переконайтеся, що виріб підключено до порту USB 3.2 Gen 2 комп'ютера.
- Заради найбільшої енергоефективності переконайтеся, що ви підключили виріб до комп'ютера кабелями з комплекту.
- Заради кращого розсіяння тепла, не знімайте прикріплений термолист.
- Задля найкращого захисту від води переконайтеся, що гвинти правильно затягнуто і закріплено.
- Переконайтеся, що ви зробили резервну копію всіх даних, перш ніж надсилати пристрій для обслуговування RMA. Ми не несемо відповідальності поза пунктами обмеженої гарантії на апаратне забезпечення.
- Ця Гарантія не розповсюджується на аксесуари, що надійшли з виробом, як-от гвинт-шестигранник, ключ-шестигранник і кабелі USB.

Қазақша

- Тасымалдау жылдамдығы құрылғылар мен SSD дискілеріне байланысты әртүрлі болуы мүмкін.
- USB 3.2 Gen 2 стандартының жоғары тасымалдау жылдамдығын пайдалану үшін өнімнің компьютеріңіздің USB 3.2 Gen 2 портына жалғанғандығына көз жеткізіңіз.
- Қуаттың тұтынылуы оңтайлы болуы үшін өнімді компьютерге көп талшықты кабельдердің көмегімен жалғаңыз.
- Жылу оңтайлы таралуы үшін тіркелген термопарақты алмаңыз.
- Ең жақсы су өткізбейтін әсерге қол жеткізу үшін бұрандалардың дұрыс қатайтылып, бекітілгеніне көз жеткізіңіз.
- Құрылғыны RMA қызмет көрсету бөліміне жібермес бұрын, барлық деректердің резервтік көшірмесін жасап алғаныңызға көз жеткізіңіз. Біз осы жабдыққа арналған шектеулі кепілдікте қарастырылмаған жағдайлар үшін жауап бермейміз.

- Бұл кепілдік алты қырлы бұрандалар, алты қырлы кілт және USB кабельдері сияқты осы өніммен бірге жеткізілген керек-жарақтарды қамтымайды.

Türkçe

- Aktarım hızı aygıtlarınıza ve SSD'lerinize bağlı olarak değişebilir.
- USB 3.2 Gen 2'nin yüksek aktarım hızından faydalanabilmek için, ürününüzü bilgisayarınızın USB 3.2 Gen 2 bağlantı noktasına taktığınızdan emin olun.
- En iyi güç verimliliği için, ürününüzü bilgisayarınıza birlikte sağlanan kabloları kullanarak bağladığınızdan emin olun.
- En iyi ısı dağılımı için, lütfen takılı termal yüzeyi çıkarmayın.
- En iyi su direnci etkileri için, lütfen vidaların uygun şekilde sıkıldığından ve sabitlendiğinden emin olun.
- Ünitenizi RMA servisine göndermeden önce tüm verilerinizi yedeklediğinizden emin olun. Bu sınırlı donanım garantisinin ötesinde sorumluluk kabul edilmeyecektir.
- Bu Garanti, altıgen vidalar, altıgen anahtar ve USB kabloları gibi bu ürünle birlikte teslim edilen aksesuarları kapsamaz.

Español

- La velocidad de transferencia puede variar en función de los dispositivos y las unidades de estado sólido.
- Para aprovechar la alta velocidad de transferencia de USB 3.2 Gen 2, asegúrese de que ha conectado el producto al puerto USB 3.2 Gen 2.
- Para conseguir la máxima eficiencia energética, asegúrese de que ha conectado el producto al equipo mediante los cables incluidos.
- Para conseguir los mejores efectos de disipación del calor, no quite la almohadilla térmica acoplada.
- Para obtener los mejores efectos de impermeabilidad, asegúrese de que los tornillos estén correctamente apretados y asegurados.
- Asegúrese de que ha hecho una copia de seguridad de todos los datos antes de enviar la unidad al servicio de mantenimiento RMA. No asumimos ninguna responsabilidad más allá de esta garantía de hardware limitada.
- Esta garantía no cubre los accesorios que se entregaron junto con este producto, como tornillos hexagonales, llaves Allen y cables USB.

Nederlands

- De overdrachtsnelheid kan verschillen afhankelijk van uw apparaten en SSD's.
- Om voordeel te halen uit de hoge overdrachtsnelheid van de USB 3.2 Gen, moet u ervoor zorgen dat u uw product het aangesloten op de USB 3.2 Gen 2-poort van uw computer.
- Voor de beste vermogensefficiëntie moet u ervoor zorgen dat u uw product hebt aangesloten op uw computer met de meegeleverde kabels.
- Voor de beste warmtespreidingseffecten mag u de bevestigde thermische pad niet verwijderen.
- Voor de beste waterbestendigheidseffecten moet u ervoor zorgen dat de schroeven goed zijn vastgedraaid en vastgezet.
- Zorg dat u een back-up hebt gemaakt van al uw gegevens voordat u uw toestel verzendt voor RMA-service. Wij accepteren geen aansprakelijkheid buiten deze beperkte hardwaregarantie.
- Deze Garantie dekt geen accessoires, die samen met dit product worden geleverd, zoals zeskantbouten, inbussleutel en USB-kabels.

Polski

- Szybkość transferu zależy od urządzenia i dysku SSD.
- To take of advantage USB 3.2 Gen 2's high transfer rate, ensure that you have connected your product to your computer's USB 3.2 Gen 2 port.
- W celu uzyskania najlepszej wydajności zasilania produkt należy podłączyć do komputera przy użyciu dostarczonych kabli.
- W celu zapewnienia najwyższej skuteczności odprowadzania ciepła nie należy wyjmować zamocowanej podkładki termicznej.
- W celu zapewnienia najwyższego poziomu wodoszczelności należy odpowiednio dokręcić i zabezpieczyć śruby.
- Przed wysłaniem urządzenia w ramach usługi RMA należy pamiętać o wykonaniu kopii zapasowej wszystkich danych. Firma nie ponosi odpowiedzialności wykraczającej poza niniejszą ograniczoną gwarancję na urządzenie.
- Gwarancja nie obejmuje dostarczonych z produktem akcesoriów, takich jak śruby sześciokątne, klucz imbusowy i kable USB.

Русский

- Скорость передачи данных может отличаться в зависимости от Ваших устройств и параметров используемого SSD.
- Для обеспечения высокой скорости передачи данных по стандарту USB 3.2 Gen 2, убедитесь, что устройство подключено к порту USB 3.2 Gen 2 компьютера.
- Для обеспечения максимальной энергоэффективности убедитесь, что устройство подключено к компьютеру с помощью поставляемого в комплекте кабеля.
- Для обеспечения наилучшего охлаждения не установленную термопрокладку.
- Для наилучшего эффекта водозащиты убедитесь, что винты правильно затянуты и закреплены.
- Создайте резервную копию всех своих данных перед отправкой устройства в службу RMA. Мы не несем ответственности за исключением этой ограниченной гарантии на оборудование.
- Настоящая гарантия не распространяется на аксессуары, поставляемые вместе с данным продуктом, например шестигранные винты, шестигранный ключ и USB-кабели.

Português

- A velocidade de transferência poderá variar de acordo com os seus dispositivos e SSD.
- Para desfrutar da alta velocidade de transferência de USB 3.2 Gen 2, certifique-se de que o seu produto está ligado à porta USB 3.2 Gen 2 do seu computador.
- Para melhor eficiência energética, ligue o seu produto ao computador utilizando os cabos fornecidos.
- Para obter os melhores efeitos de dissipação de calor, não retire o pad térmico afixado.
- Para obter os melhores efeitos de resistência à água, certifique-se de que os parafusos estão devidamente apertados e fixados.
- Efetue a cópia de segurança de todos os seus dados antes de enviar o seu produto para serviço RMA. Não aceitamos qualquer responsabilidade além desta garantia limitada do hardware.
- Esta garantia não cobre acessórios fornecidos com este produto, tais como, parafusos sextavados, chaves sextavadas e cabos USB.

Ελληνικά

- Η ταχύτητα μεταφοράς ενδέχεται να διαφέρει ανάλογα με τις συσκευές και τις μονάδες SSD.
- Για να επωφεληθείτε από την υψηλή ταχύτητα μεταφοράς USB 3.2 Gen 2, βεβαιωθείτε ότι έχετε συνδέσει το προϊόν στη θύρα USB 3.2 Gen 2 του υπολογιστή σας.
- Για βέλτιστη εξοικονόμηση ενέργειας, βεβαιωθείτε ότι έχετε συνδέσει το προϊόν με τον υπολογιστή σας χρησιμοποιώντας τα παρεχόμενα καλώδια.
- Για βέλτιστα αποτελέσματα διάχυσης της θερμότητας, παρακαλούμε να μην αφαιρείτε το θερμικό υπόστρωμα.
- Για βέλτιστη αντοχή στο νερό, βεβαιωθείτε ότι οι βίδες είναι σωστά σφιγμένες και ασφαλισμένες.
- Βεβαιωθείτε ότι έχετε δημιουργήσει αντίγραφα ασφαλείας όλων των δεδομένων σας πριν από την αποστολή της μονάδας σας για σέρβις RMA. Δεν αναλαμβάνουμε ουδεμία ευθύνη πέραν αυτής της περιορισμένης εγγύησης υλικού.
- Η παρούσα εγγύηση δεν καλύπτει εξαρτήματα που συνόδευαν το προϊόν, όπως εξάγωνες βίδες, εξάγωνο κλειδί και καλώδια USB.

日本語

- 転送速度は、取り付けた SSD やご使用の環境により異なります。
- 付属の USB ケーブルでパソコンの USB 3.2 Gen 2 ポートに接続してください。付属の USB ケーブル以外のケーブルを使用した場合は動作保証できません。
- 最高の電力効率を達成するために、必ず、付属のケーブルを使用して、製品をコンピューターに接続してください。
- 適切な放熱効果を確保するため、付属のサーマルパッドは剥がさずにご使用ください。
- 最良の防水効果を達成するため、ネジが適切に締め付けられ、固定されていることを確認してください。
- 記憶媒体内の記録データに関してはいかなる場合においても保証いたしかねます。
- この保証は、六角ネジ、六角キー、USBケーブルなど、この製品に付属する付属品には適用されません。

Bahasa Indonesia

- Kecepatan transfer dapat berbeda, tergantung pada perangkat dan SSD Anda.
- Untuk memanfaatkan transfer kecepatan tinggi USB 3.2 Gen 2, pastikan Anda telah menyambungkan produk ke komputer dengan port USB 3.2 Gen 2.
- Untuk penghematan daya terbaik, pastikan Anda telah menyambungkan produk ke komputer menggunakan kabel yang disediakan.
- Untuk efek penghilangan panas terbaik, jangan lepas bantalan termal yang terpasang.
- Untuk mendapatkan efek tahan air terbaik, pastikan sekrup-sekrup diketatkan dan dikencangkan dengan benar.
- Pastikan Anda telah mencadangkan data sebelum mengirim unit untuk layanan RMA. Kami tidak bertanggung jawab selain jaminan perangkat keras terbatas ini.
- Jaminan ini tidak mencakup aksesoris, yang dikirimkan beserta produk ini, seperti sekrup heksagonal, kunci heksagonal, dan kabel USB.

Bahasa Melayu

- Kelajuan pemindahan mungkin berbeza bergantung pada peranti dan SSD anda.
- Untuk memanfaatkan kadar pemindahan tinggi USB 3.2 Gen 2, pastikan anda telah menyambungkan produk pada port USB 3.2 Gen 2 pada komputer anda.
- Untuk kecekapan kuasa terbaik, pastikan anda telah menyambungkan produk ke komputer anda menggunakan kabel yang disediakan.
- Untuk kesan pelepasan haba yang terbaik, jangan tanggalkan pad terma yang dilekapkan.
- Untuk kesan terbaik rintangan air, sila pastikan skru dipasang dan diketatkan dengan betul.
- Pastikan anda telah menyandarkan semua data anda sebelum menghantar unit anda untuk perkhidmatan RMA. Kami tidak menerima liabiliti atau bertanggungjawab atas sebarang kehilangan selain daripada waranti perkakasan (hardware) yang terhad ini.
- Waranti ini tidak meliputi aksesori, yang dihantar bersama produk ini, seperti skru heks, kunci heks dan kabel USB.

한국어

- 전송 속도는 장치와 SSD에 따라 다를 수 있습니다.
- USB 3.2 Gen 2의 높은 전송 속도를 활용하려면 이 제품을 컴퓨터의 USB 3.2 Gen 2 포트에 연결해야 합니다.
- 전원 효율을 최고로 높이려면 이 제품과 컴퓨터를 연결할 때 제품과 함께 제공된 케이블을 사용해야 합니다.
- 열 발산 효과를 최대한 높이려면 부착된 열전도 패드를 제거하지 마십시오.
- 내수 효과를 극대화하기 위해 나사가 끝까지 완전하게 조여져 있는지 확인하십시오.
- RMA 서비스를 받기 위해 제품을 보내기 전에 모든 데이터를 백업하십시오. 당사는 하드웨어에 대한 본 제한 보증의 범위를 벗어난 경우 어떠한 책임도 지지 않습니다.
- 육각 볼트, 육각 키, USB 케이블 등과 같이 이 제품과 함께 배송된 부수품은 이 품질 보증서의 보증 대상에 포함되지 않습니다.

ไทย

- ความเร็วในการถ่ายโอนข้อมูลอาจแตกต่างกันไป ขึ้นอยู่กับอุปกรณ์และ SSD ของคุณ
- เพื่อใช้ประโยชน์จากอัตราการถ่ายโอนความเร็วสูงของ USB 3.2 Gen 2 โปรดตรวจสอบให้แน่ใจว่า คุณได้เชื่อมต่อผลิตภัณฑ์ของคุณเข้ากับพอร์ต USB 3.2 Gen 2 ของคอมพิวเตอร์แล้ว
- เพื่อประสิทธิภาพในการใช้พลังงานที่ดีที่สุด โปรดตรวจสอบว่าคุณได้เชื่อมต่อผลิตภัณฑ์ของคุณเข้ากับคอมพิวเตอร์โดยใช้สายเคเบิลที่จัดมาให้แล้ว
- เพื่อการกระจายความร้อนที่ดีที่สุด โปรดอย่าถอดแผ่นความร้อนที่เชื่อมต่ออยู่
- เพื่อให้ได้ผลในการกันน้ำที่ดีที่สุด โปรดมั่นใจว่าไขสกรูอย่างเหมาะสมและแน่นหนา
- ตรวจสอบให้แน่ใจว่าคุณได้สำรองข้อมูลทั้งหมดของคุณ ก่อนที่จะส่งอุปกรณ์ของคุณเพื่อรับบริการที่ศูนย์บริการ เราไม่รับผิดชอบเรื่องข้อมูลอื่นใด นอกเหนือจากการรับประกันฮาร์ดแวร์
- การรับประกันนี้ไม่ครอบคลุมอุปกรณ์เสริมต่าง ๆ ซึ่งส่งมอบมาพร้อมกับผลิตภัณฑ์นี้ เช่น สกรูทกเหลี่ยม ประแจหกเหลี่ยม และสาย USB

Tiếng Việt

- Tốc độ truyền tải có thể thay đổi tùy thuộc vào thiết bị và SSD của bạn.

- **Để tận dụng tốc độ truyền dữ liệu cao của USB 3.2 Gen 2, hãy đảm bảo rằng bạn đã cắm sản phẩm vào cổng USB 3.2 Gen 2 trên máy tính.**
- **Để đạt hiệu quả nguồn điện tối ưu, đảm bảo bạn đã kết nối sản phẩm với máy tính bằng các loại cáp kèm theo.**
- **Để đạt hiệu quả tản nhiệt tối ưu, vui lòng không tháo miếng dán tản nhiệt dính kèm.**
- **Để chống nước hiệu quả nhất, vui lòng đảm bảo siết chặt và chắc chắn các ốc vít.**
- **Đảm bảo bạn đã sao lưu toàn bộ dữ liệu trước khi chuyển thiết bị cho dịch vụ RMA. Chúng tôi không chịu trách nhiệm vượt quá chính sách bảo hành phần cứng giới hạn này.**
- **Chính sách bảo hành này không áp dụng cho các phụ kiện đi kèm sản phẩm như vít lục giác, chìa lục giác và cáp USB.**

ملاحظات

- قد تختلف سرعة النقل حسب أجهزتك ومحركات الأقراص الصلبة لديك.
- للتمتع بميزة معدل النقل العالي التي يوفرها USB 3.2 الجيل الثاني؛ تأكد من أنك قمت بتوصيل المنتج بمنفذ USB 3.2 الجيل الثاني الموجود بحاسوبك.
- لتحقيق الكفاءة المثلى لاستهلاك الطاقة؛ تأكد من توصيلك للمنتج بحاسوبك باستخدام الكبلات المرفقة.
- للحصول على أفضل نتيجة للتخلص من الحرارة؛ يرجى عدم إزالة اللوحة الحرارية المرفقة.
- للحصول على أفضل تأثيرات لمقاومة الماء يرجى التأكد من إحكام ربط البراغي وتثبيتها بشكل صحيح.
- تأكد من أنك قمت بنسخ كل بياناتك نسخًا احتياطيًا قبل إرسال الجهاز لخدمة إصلاح الأجهزة (RMA). لا نقبل أي مسؤوليات خارج نطاق هذا الضمان المحدود للجهاز.
- لا يغطي الضمان الملحقات المصاحبة لهذا المنتج، مثل المسامير اللولبية السداسية والمفتاح السداسي وكابلات USB.

نكته

- بسته به دستگاه ها و SSD، سرعت انتقال داده ها ممکن است متفاوت باشد.
- برای اینکه از سرعت انتقال بالای USB 3.2 Gen 2 برخوردار باشید، بررسی کنید که دستگاهتان حتماً به پورت USB 3.2 Gen 2 کامپیوتر وصل باشد.
- برای اینکه بهترین حالت پخش گرما را داشته باشید، لطفاً پد حرارتی متصل را جدا نکنید.
- برای اینکه از بالاترین کارایی برخوردار باشید، حتماً دستگاهتان را با استفاده از کابل های ارائه شده به کامپیوتر وصل کنید.
- برای اینکه بهترین مقاومت در برابر آب ایجاد شود، مطمئن شوید پیچ ها به درستی محکم و بسته شده باشند.
- حتماً قبل از ارسال دستگاه برای سرویس RMA از همه داده هایتان نسخه پشتیبان تهیه کنید.
- وسیله های جانبی که همراه با دستگاه ارائه شده اند، مانند پیچ های شش گوش، آچار شش گوش و کابل های USB تحت پوشش ضمانت نامه نیستند.

עברית

- מהירות ההעברה עשויה להשתנות בהתאם למכשירים ולכונני ה-SSD שלך.
- כדי לנצל את קצבי ההעברה הגבוהים של USB 3.2 Gen 2, יש להקפיד לחבר את המוצר לחיבור ה-USB 3.2 Gen 2 של המחשב.
- להשגת היעילות המרבית בצריכת החשמל, יש להקפיד לחבר את המוצר למחשב באמצעות הכבלים המצורפים.
- לקבלת פיזור החום היעיל ביותר, אין להסיר את הרפידה התרמית המצורפת.
- לקבלת האפקט הטוב ביותר של התנגדות למים, יש לוודא שהברגים מהודקים ומאובטחים כהלכה.
- יש להקפיד לגבות את כל הנתונים לפני שליחת היחידה לשירות RMA. אנו לא נושאים באחריות כלשהי מעבר לאחריות המוגבלת הזו על החומרה.
- האחריות הזו לא מכסה אביזרים שנמסרו עם המוצר, כגון בורגי אלן, מפתח אלן וכבלי USB.

Format Your New SSD

English

If you are using a brand new SSD, you may need to follow the steps below for the PC to display the TUF Gaming A1's disk.

- Please install your new SSD into the TUF Gaming A1, then plug it into the PC via a USB port.
- Right click "Start menu" -> "Disk Management"
- If your PC detects a new blank SSD on the TUF Gaming A1, an "unallocated" partition will appear.
- The "unallocated" partition might not appear for your new blank SSD due to the following reasons:
 - Your SSD may have already been formatted.
 - Your new blank SSD is not being detected by the PC, please make sure the TUF Gaming A1 is properly connected to the PC.
- Right-click on the unallocated partition and select "New Simple Volume" to start the New Simple Volume Wizard.
- Specify the desired size of the partition (you may also choose to use the default setting) and click "Next".
- Assign a drive letter or path (you may also choose to use the default setting) and click "Next".
- Select your file system type and allocation unit size, then type your volume label (you can also choose to use the default setting). Check the "Perform a quick format" option and click "Next".
- Confirm all the selected settings then click "Finish" to complete the New Simple Volume Wizard and the program will help setup your disk volume.
- After the disk format is completed, the PC should display and allow you to access the disk properly.

繁體中文

若您的 SSD 為全新未使用過的，您需要進行下列步驟才能讓電腦顯示 TUF Gaming A1 所屬的磁碟機。

- 請將新 SSD 安裝至 TUF Gaming A1 並接上電腦。
- 在 Windows 開始選單按右鍵，點選 "磁碟管理"。
- 如電腦有偵測到 TUF Gaming A1 新安裝的磁碟，會出現新磁碟「未配置」磁碟區域。
- 若沒有找到未配置的灰色區域，表示您的磁碟可能已經完成格式化，或是代表電腦未偵測到 TUF Gaming A1 新安裝的磁碟，請確認 TUF Gaming A1 是否有與電腦正確連結。
- 在新磁碟未配置的灰色區域按滑鼠右鍵，點選「新增簡單磁碟區」。
- 輸入欲配置的磁碟區大小(可依系統預設不需變更)，並點選「下一步」。
- 預設磁碟機代號系統會自動指定(可依系統預設不需變更)，請點選「下一步」。
- 進入「格式化設定」，請選擇您所需的 SSD 檔案系統格式，配置單位大小以及欲呈現的磁碟區標籤後(可依系統預設不需變更)，勾選「執行快速格式化」，並點選「下一步」。
- 確認設定是否正確並點選「完成」執行磁碟格式化的動作。
- 格式化完成後，電腦將會正確顯示並存取 TUF Gaming A1 所安裝的 SSD 磁碟機。

简体中文

若您的 SSD 为全新、从未使用过，您需要进行下列步骤才能让电脑显示 TUF Gaming A1 所属的磁盘。

- 请将新的 SSD 安装至 TUF Gaming A1 并连接至电脑。
- 在 Windows 开始菜单中单击鼠标右键，点击“磁盘管理”。
- 若电脑检测到 TUF Gaming A1 新安装的磁盘，会显示新磁盘“未配置”磁盘区域。
- 若没有找到未配置的灰色区域，表示您的磁盘可能已经完成格式化，或是代表电脑未检测到 TUF Gaming A1 新安装的磁盘，请确认 TUF Gaming A1 是否已与电脑正确连接。
- 在新磁盘未配置的灰色区域单击鼠标右键，点击“添加简单磁盘区”。
- 输入欲配置的磁盘区大小(可依系统默认，无需变更)，并点击“下一步”。
- 默认磁盘代号系统会自动指定(可依系统默认，无需变更)，并点击“下一步”。
- 进入“格式化设置”，请选择您所需的 SSD 文件系统格式，配置单位大小以及欲显示的磁盘区标签后(可依系统默认，无需变更)，勾选“进行快速格式化”，并点击“下一步”。
- 确认设置是否正确并点击“完成”进行磁盘格式化。
- 格式化完成后，电脑将会正确显示并访问 TUF Gaming A1 所安装的 SSD 磁盘驱动器。

Français

Si vous utilisez un SSD neuf, il vous faudra peut-être suivre les étapes ci-dessous afin que votre ordinateur reconnaisse le disque du TUF Gaming A1.

- Installez votre nouveau SSD dans le TUF Gaming A1, puis connectez ce dernier à l'un des ports USB de votre PC.
- Faites un clic droit sur "Menu démarrer", puis sélectionnez "Gestion des disques".
- Si votre PC détecte un nouveau SSD vide dans le TUF Gaming A1, une partition "non allouée" apparaîtra.
- Il se peut que la partition "non allouée" n'apparaisse pas sur votre nouveau SSD pour les raisons suivantes :
 - Votre SSD a peut-être déjà été formaté.
 - Votre nouveau SSD n'est pas détecté par votre PC, assurez-vous que le TUF Gaming A1 est correctement connecté à votre PC.
- Faites un clic droit sur la partition non allouée et sélectionnez "Nouveau volume simple" pour démarrer l'Assistant de création de volume simple.
- Précisez la taille de partition désirée (vous pouvez également choisir le paramètre par défaut) et cliquez sur "Suivant".
- Assignez une lettre de lecteur ou un chemin d'accès (vous pouvez également choisir le paramètre par défaut) et cliquez sur "Suivant".
- Sélectionnez le type de système de fichiers et la taille d'unité d'allocation, puis saisissez le nom de volume (vous pouvez également choisir le paramètre par défaut). Cochez l'option "Effectuer un formatage rapide" et cliquez sur "Suivant".
- Confirmez les paramètres sélectionnés en cliquant sur "Terminer".
- Après le formatage, votre PC devrait afficher correctement le disque et vous en autoriser l'accès.

Deutsch

Wenn Sie ein brandneues SSD verwenden, müssen Sie möglicherweise die folgenden Schritte ausführen, damit der PC den TUF Gaming A1-Datenträger anzeigt.

- Bitte installieren Sie Ihr neues SSD in den TUF Gaming A1 und verbinden Sie ihn dann über einen USB-Anschluss mit dem PC.
- Rechtsklicken Sie auf "Startmenü" -> "Datenträgerverwaltung"
- Wenn Ihr PC ein neues leeres SSD im TUF Gaming A1 erkennt, wird eine "nicht zugewiesene" Partition angezeigt.
- Die "nicht zugewiesene" Partition wird aus den folgenden Gründen möglicherweise nicht für Ihr neues leeres SSD angezeigt:
 - Möglicherweise wurde Ihr SSD bereits formatiert.
 - Ihr neues leeres SSD wird vom PC nicht erkannt. Vergewissern Sie sich bitte, dass der TUF Gaming A1 ordnungsgemäß mit dem PC verbunden ist.
- Rechtsklicken Sie auf die nicht zugewiesene Partition und wählen Sie "Neuer einfacher Datenträger", um den Assistenten für den neuen einfachen Datenträger zu starten.
- Geben Sie die gewünschte Größe der Partition an (Sie können auch die Standardeinstellung verwenden) und klicken Sie dann auf "Weiter".
- Weisen Sie einen Laufwerksbuchstaben oder -pfad zu (Sie können auch die Standardeinstellung verwenden) und klicken Sie dann auf "Weiter".
- Wählen Sie den Dateisystemtyp und die Größe der Zuordnungseinheit aus und geben Sie dann die Datenträgerbezeichnung ein (Sie können auch die Standardeinstellung verwenden). Markieren Sie die Option "Schnellformatierung durchführen" und klicken Sie dann auf "Weiter".
- Bestätigen Sie alle ausgewählten Einstellungen und klicken Sie dann auf "Fertigstellen", um den Assistenten für den neuen einfachen Datenträger zu beenden. Das Programm unterstützt Sie beim Einrichten Ihres Laufwerks.
- Nachdem das Formatieren des Datenträgers abgeschlossen ist, sollte er auf dem PC angezeigt werden, sodass Sie problemlos auf den Datenträger zugreifen können.

Italiano

Se stai usando un SSD completamente nuovo potresti aver bisogno di seguire questi passaggi per permettere al PC di accedere al disco TUF Gaming A1.

- Installa un nuovo SSD in TUF Gaming A1, quindi collegalo al PC tramite porta USB.
- Clicca con il tasto destro su "Menu Start" -> "Gestione disco"
- Se il PC rileva correttamente un nuovo SSD in TUF Gaming A1 lo mostrerà come una partizione "non allocata".
- La partizione "non allocata" potrebbe non apparire nei seguenti casi:
 - Hai già formattato il tuo SSD.
 - Il PC non riesce a rilevare il tuo SSD. Assicurati che TUF Gaming A1 sia collegato al PC correttamente.
- Clicca con il tasto destro sulla partizione non allocata e seleziona "Nuovo volume semplice" per avviare la procedura guidata.
- Specifica la dimensione desiderata della partizione (puoi usare i valori predefiniti) e clicca su "Avanti".

- Assegna una lettera o un percorso per il drive (puoi usare i valori predefiniti) e clicca su "Avanti".
- Seleziona il tipo di file system e la dimensione dell'unità di allocazione, quindi digita l'etichetta di volume (puoi usare i valori predefiniti). Seleziona la voce "Esegui formattazione veloce" quindi clicca su "Avanti".
- Conferma tutte le impostazioni selezionate e clicca su "Fine" per completare la procedura guidata, il sistema configurerà il nuovo disco.
- Dopo aver completato la formattazione il PC ti permetterà di accedere al tuo nuovo disco.

Dansk

Hvis du bruger en splinterny SSD-enhed, skal du muligvis følge nedenstående trin, før pc'en kan finde din TUF Gaming A1s disk

- Installer venligst din nye SSD-enhed i din TUF Gaming A1, og slut den derefter til USB-porten på din pc.
- Højreklik på "Startmenu" -> "Diskstyring"
- Hvis din pc registrerer en ny tom SSD-enhed på din TUF Gaming A1, vises en partition, der ikke er tildelt.
- Partitionen, der ikke er tildelt, vises muligvis ikke på din nye tomme SSD-enhed af følgende årsager:
 - Din SSD-enhed er muligvis allerede blevet formateret.
 - Din nye tomme SSD-enhed kan ikke findes af din pc. Sørg for at din TUF Gaming A1 er ordentligt forbundet til din pc.
- Højreklik på partitionen, der ikke er tildelt, og vælg "Ny simpel diskenhed", for at starte vejledningen Ny simpel diskenhed.
- Angiv den ønskede størrelse på partitionen (du kan også vælge at bruge standardindstillingen) og klik på "Næste".
- Tildel et drebogstav eller -sti (du kan også vælge at bruge standardindstillingen) og klik på "Næste".
- Vælg din filsystemtype og hvor meget du vil tildele. Indtast derefter en etiket til diskenheden (du kan også vælge at bruge standardindstillingen). Vælg indstillingen "Hurtig formatering", og klik på "Næste".
- Bekræft alle de valgte indstillinger, og klik derefter på "Udfør" for at fuldføre vejledningen Ny simpel diskenhed, hvorefter programmet hjælper med at opsætte din diskenhed.
- Når disken er blevet formateret, bør du kunne se og få adgang til disken på din pc.

Suomi

Jos käytät käyttämätöntä SSD-levyä, sinun on ehkä toimittava seuraavasti, jotta tietokone näyttää TUF Gaming A1 -levyn

- Asenna uusi SSD-levy TUF Gaming A1iin ja liitä se sitten tietokoneeseen USB-portin kautta.
- Napsauta hiiren oikealla painikkeella "Start menu (Käynnistysvalikko)" -> "Disk Management (Levyn hallinta)"
- Jos tietokone tunnistaa käyttämättömän SSD-levyn TUF Gaming A1issa, "varaamaton"-osio tulee näkyviin.
- "Varaamaton"-osio ei ehkä näy käyttämättömällä SSD-levyllä seuraavista syistä:
 - SSD-levy on ehkä jo alustettu.
 - Tietokone ei tunnista tätä käyttämätöntä SSD-levyä, varmista että TUF Gaming A1 on liitetty oikein tietokoneeseen

- Napsauta hiiren oikealla painikkeella varaamatonta osiota ja valitse "New Simple Volume" (Uusi yksinkertainen asema) käynnistäaksesi Uuden yksinkertaisen aseman ohjatun asennuksen.
- Määritä haluttu osion koko (voit myös valita oletusasetuksen käyttämisen) ja napsauta "Next" (Seuraava).
- Määritä asemakirjain tai polku (voit myös valita oletusasetuksen käyttämisen) ja napsauta "Next" (Seuraava).
- Valitse tiedostojärjestelmätyyppi ja varatun yksikön koko, näppäile sitten aseman nimi (voit myös valita oletusasetuksen käyttämisen). Napsauta "Perform a quick format" (Suorita pika-alustus) ja napsauta "Next" (Seuraava).
- Vahvista kaikki valitut asetukset ja napsauta sitten "Finish" (Lopeta) suorittaaksesi Uuden yksinkertaisen aseman ohjatun asennuksen loppuun, jonka jälkeen ohjelma auttaa asettamaan levyaseman.
- Kun levyn alustus on suoritettu loppuun, tietokoneen tulisi antaa käyttää levyä oikein.

Norsk

Hvis du bruker en helt ny SSD, kan du være nødt til å følge trinnene nedenfor for at PC-en skal kunne vise TUF Gaming A1s disk

- Installer den nye SSD-en i TUF Gaming A1, og koble den deretter til PC-en via en USB-port.
- Høyreklikk «Startmenyen» -> «Disk Management (Diskbehandling)»
- Hvis PC-en din oppdager en ny tom SSD på TUF Gaming A1, vises en partisjon som «ikke er tildelt».
- Partisjonen som er «ikke tildelt» vises kanskje ikke for den nye, tomme SSD-en din av følgende årsaker:
 - SSD-en kan allerede være formatert.
 - Den nye, tomme SSD-en blir ikke oppdaget av PC-en; sørg for at TUF Gaming A1 er riktig koblet til PC-en.
- Høyreklikk den ikke tildelte partisjonen, og velg «New Simple Volume» (Nytt enkelt volum) for å starte Veiviser for nytt enkelt volum.
- Angi ønsket størrelse på partisjonen (du kan også velge å bruke standardinnstillingen). og klikk «Next» (Neste).
- Tildel en stasjonsbokstav eller bane (du kan også velge å bruke standardinnstillingen), og klikk «Next» (Neste).
- Velg filsystemtype og tildelingsenhetsstørrelse, og angi deretter volumetiketten (du kan også velge å bruke standardinnstillingen). Merk av for alternativet «Perform a quick format» (Hurtigformater), og klikk «Next» (Neste).
- Bekreft alle valgte innstillinger, og klikk deretter «Finish» (Fullfør) for å fullføre Veiviser for nytt enkelt volum, så hjelper programmet deg med å sette opp disken.
- Når disken er formatert, skal PC-en vise og gi deg tilgang til disken riktig.

Svenska

Om du använder en helt ny SSD, är det möjligt att du behöver följa nedanstående steg för att datorn ska visa TUF Gaming A1-enheten

- Installera din nya SSD i TUF Gaming A1, och anslut den till datorn via en USB-port.
- Högerklicka på "Start menu" (Startmeny) -> "Disk Management" (Diskhantering)

- Om datorn identifierar en ny tom SSD på TUF Gaming A1, kommer en "oallokerad" partition att visas.
- Den "oallokerade" partitionen kanske inte visas för den nya tomma SSD:n på grund av någon av följande anledningar:
 - SSD:n kan redan vara formaterad.
 - Den nya tomma SSD:n identifieras inte av datorn, kontrollera att TUF Gaming A1 är korrekt ansluten till datorn.
- Högerklicka på den oallokerade partitionen och välj "New Simple Volume" (Ny enkel volym) för att starta guiden Ny enkel volym.
- Specificera önskad storlek på partitionen (du kan även välja att använda standardinställningen) och klicka på "Next" (Nästa).
- Tilldela en enhetsbeteckning eller sökväg (du kan även välja att använda standardinställningen) och klicka på "Next" (Nästa).
- Välj filsystemtyp och storlek för allokeringsenhet, och ange din volymetikett (du kan även välja att använda standardinställningen). Markera alternativet "Perform a quick format" (Snabbformatera) och klicka på "Next" (Nästa).
- Bekräfta alla valda inställningar och klicka på "Finish" (Avsluta) för att slutföra guiden Ny enkel volym, så hjälper programmet dig att installera diskvolymen.
- När disken är formaterad ska datorn visa och ge dig möjlighet att öppna disken riktigt.

Eesti

Kui kasutate uut SSD-d, on vaja arvutis teha järgmised toimingud, et näha korpuses TUF Gaming A1 olevat ketast

- Paigaldage oma uus SSD-ketas korpusesse TUF Gaming A1 ja ühendage see arvutiga USB-pesa kaudu.
- Tehke paremklõps valikul "Start menu (Käivitusmenüü)" -> "Disk Management (Ketaste haldus)"
- Kui teie arvuti tuvastab korpuses TUF Gaming A1 uue tühja SSD, siis kuvatakse osadeks jaotamata kettasektsioon.
- Jaotamata kettasektsiooni uue tühja SSD-ketta kohta ei näidata järgmistel juhtudel.
 - Teie SSD-ketas võib olla juba formaaditud.
 - Teie uus tühi SSD-ketas pole arvuti poolt tuvastatud, veenduge, et TUF Gaming A1 on arvutiga nõuetekohaselt ühendatud.
- Tehke jaotamata kettasektsioonil paremklõps ja valige "New Simple Volume" (Uus lihtdraiv), et käivitada New Simple Volume Wizard (Uue lihtdraivi viisard).
- Määrake jaotamata kettasektsioonile soovitud suurus (võite valida ka vaikesätte) ja klõpsake "Next" (Edasi).
- Määrake jaotamata kettasektsiooni tähis ja tee (võite valida ka vaikesätte) ja klõpsake "Next" (Edasi).
- Valige failisüsteemi tüüp ja jaotusühiku maht, seejärel sisestage draivisilt (võite valida ka vaikesätte). Valige "Perform a quick format" (Tee kiirvormindus) ja klõpsake "Next" (Edasi).
- Kinnitage kõik määratud sätted ja klõpsake "Finish" (Valmis), et sulgeda uue lihtdraivi viisard ja programm häälestab seejärel kettadraivi.
- Pärast formaatimistoimingu lõppemist peab arvuti võimaldama ketta kuvamist ja juurdepääsu kettale.

Lietuvių

Jei naudojate visiškai naują SSD, jums gali prireikti atlikti toliau nurodytus veiksmus, kad asmeninis kompiuteris rodytų diską „TUF Gaming A1“

- Įdėkite savo naują diską „TUF Gaming A1“, tada prijunkite jį prie asmeninio kompiuterio naudodami USB prievadą.
- Dešiniuoju pelės klavišu spustelėkite „Start menu“ (Pradžios meniu) -> „Disk Management“ (Disko tvarkymas)
- Jei jūsų asmeninis kompiuteris aptiks naują tuščią SSD diską „TUF Gaming A1“, pasirodys „nepriskirtas“ skaidinys.
- „Nepriskirtas“ skaidinys jūsų naujam tuščiam SSD diskui gali būti nerodomas dėl šių priežasčių:
 - Jūsų SSD diskas jau suformatuotas.
 - Kompiuteris neaptiko jūsų naujo tuščio SSD disko – įsitinkinkite, kad diskas „TUF Gaming A1“ yra tinkamai prijungtas prie asmeninio.
- Dešiniuoju pelės klavišu spustelėkite nepriskirtą skaidinį ir pasirinkite „New Simple Volume“ (Naujas paprastasis tomas), kad būtų paleistas „New Simple Volume Wizard“ (Naujo paprastojo tomo vedlys).
- Nurodykite pageidaujama skaidinio dydį (taip pat galite pasirinkti ir naudoti numatytąją nuostatą) ir spustelėkite „Next“ (Toliau).
- Priskirkite diskų įrenginio raidę arba kelią (taip pat galite pasirinkti ir naudoti numatytąją nuostatą) ir spustelėkite „Next“ (Toliau).
- Pasirinkite savo failų sistemos tipą ir paskyros skyriaus dydį, tada vidinio disko identifikatorių (taip pat galite pasirinkti ir naudoti numatytąją nuostatą). Pažymėkite parinktį „Perform a quick format“ (Atlikti greitąjį formatavimą) ir spustelėkite „Next“ (Toliau).
- Patikrinkite visas pasirinktas nuostatas, tada spustelėkite „Finish“ (Baigti), kad „New Simple Volume Wizard“ (Naujas paprastojo tomo vedlys) būtų uždarytas, tuomet programa padės jums atlikti jūsų disko tomo sąranką.
- Pabaigus formatuoti diską, asmeninis kompiuteris turėtų tinkamai rodyti diską ir leisti juo naudotis.

Latviešu

Ja izmantojat jaunu SSD, iespējams, jāveic tālāk norādītās darbības, lai dators varētu parādīt TUF Gaming A1 disku.

- Instalējiet jauno SSD TUF Gaming A1 un pēc tam pievienojiet to datoram, izmantojot USB portu.
- Ar peles labo pogu noklikšķiniet uz “Start menu” (Sākuma izvēlne) -> “Disk Management” (Diska pārvaldība)
- Ja datorā TUF Gaming A1 tiek noteikts jauns tukšs SSD, tiek parādīts “neiedalīts” nodalījums.
- Jaunā tukšā SSD “neiedalītais” nodalījums var netikt rādīt tālāk norādīto iemeslu dēļ.
 - Iespējams, ka SSD jau ir formatēts.
 - Dators nenosaka jauno tukšo SSD. Pārlicinieties, vai TUF Gaming A1 ir pareizi pievienots datoram.
- Ar peles labo pogu noklikšķiniet uz neiedalītā nodalījuma un atlasiet “New Simple Volume” (Jauns vienkāršais sējums), lai sāktu “New Simple Volume Wizard” (Jaunu vienkāršā sējuma vedni).

- Norādiet vēlamo nodalījuma lielumu (var arī izvēlēties izmantot noklusējuma iestatījumu) un noklikšķiniet uz "Next" (Tālāk).
- Piešķiriet diska burtu vai ceļu (var arī izvēlēties izmantot noklusējuma iestatījumu) un noklikšķiniet uz "Next" (Tālāk).
- Atlasiet failu sistēmas veidu un iedalīšanas vienības lielumu, pēc tam ierakstiet sējuma iezīmi (var arī izvēlēties izmantot noklusējuma iestatījumu). Atzīmējiet opciju "Perform a quick format" (Veikt ātro formatēšanu) un noklikšķiniet uz "Next" (Tālāk).
- Apstipriniet visus atlasītos iestatījumus un pēc tam noklikšķiniet uz "Finish" (Pabeigt), lai pabeigtu "New Simple Volume Wizard" (Jaunu vienkāršā sējuma vedni), un programma palīdzēs iestatīt diska sējumu.
- Pabeidzot diska formatēšanu, datoram ir jāparāda un jāļauj pareizi piekļūt diskam.

Български

Ако използвате чисто ново SSD устройство, възможно е да трябва да следвате стъпките по-долу, за да може компютърът да покаже устройството TUF Gaming A1

- Поставете своето ново SSD устройство в TUF Gaming A1, след което го включете в компютъра чрез USB порт.
- Щракнете с десния бутон върху менюто "Start (Старт)" -> "Disk Management (Управление на дискове)"
- Ако Вашият компютър открие ново празно SSD устройство в "TUF Gaming A1, ще се появи "неразпределен" дял.
- "Неразпределеният" дял може да не се появи за Вашето ново празно SSD устройство поради следните причини:
 - Вашето SSD устройство може вече да е форматирано.
 - Вашето ново празно SSD устройство не се открива от компютъра. Уверете се, че устройството TUF Gaming A1 е свързано правилно към компютъра.
- Щракнете с десния бутон на мишката върху неразпределения дял и изберете New Simple Volume (Нов обикновен том), за да стартирате New Simple Volume Wizard (Съветник за нов обикновен том).
- Посочете желания размер на дяла (може да изберете да използвате настройката по подразбиране) и щракнете върху Next (Напред).
- Назначете буква или път за устройството (може да изберете да използвате настройката по подразбиране) и щракнете върху Next (Напред).
- Изберете типа на Вашата файлова система и размера на единицата на заделяне, след което въведете етикета на Вашия том (може да изберете да използвате настройката по подразбиране). Поставете отметка в опцията Perform a quick format (Бързо форматиране) и щракнете върху Next (Напред).
- Потвърдете всички избрани настройки, след което щракнете върху Finish (Край), за да приключите New Simple Volume Wizard (Съветник за нов обикновен том) и програмата ще Ви помогне да конфигурирате обема на Вашия диск.
- След завършване на форматирането на устройството, компютърът трябва да показва и да Ви дава достъп до устройството както трябва.

Slovenščina

Če uporabljate popolnoma novi polprevodniški pogon (SSD), boste morda morali upoštevati spodnja navodila za računalnik, da boste prikazali pogon naprave TUF Gaming A1.

- Namestite novi pogon SSD v napravo TUF Gaming A1 in nato priključite napravo na računalnik na priključek USB.
- Z desno tipko miške kliknite meni »Start« in nato kliknite »Disk Management« (Upravljanje diskov).
- Če računalnik zazna nov prazen pogon SSD v napravi TUF Gaming A1, se prikaže nedodeljena particija.
- Nedodeljena particija se za nov prazen pogon SSD morda ne bo prikazala iz teh razlogov:
 - Vaš pogon SSD je bil morda že formatiran.
 - Računalnik ne zazna vašega novega praznega pogona SSD. Prepričajte se, da je naprava TUF Gaming A1 priključena na računalnik.
- Z desno tipko miške kliknite nedodeljeno particijo in izberite »New Simple Volume« (Nov preprost nosilec), da zaženete čarovnika za nov preprost nosilec.
- Navedite zeleno velikost particije (uporabite lahko tudi privzeto nastavitve) in kliknite »Next« (Naprej).
- Dodelite črko ali pot pogona (uporabite lahko tudi privzeto nastavitve) in kliknite »Next« (Naprej).
- Izberite vrsto datotečnega sistema in velikost enote dodelitve ter nato vnesite oznako nosilca (izberete lahko tudi privzeto nastavitve). Potrdite polje »Perform a quick format« (Izvedi hitro formatiranje) in kliknite »Next« (Naprej).
- Preverite vse izbrane nastavitve in kliknite »Finish« (Dokončaj), da dokončate čarovnika za nov preprost nosilec. Program vam nato pomaga nastaviti nosilec pogona.
- Računalnik bi moral po končanem formatiranju pogona pravilno prikazati pogon in vam omogočiti dostop do njega.

Čeština

Pokud používáte zcela nový disk SSD, může být nutné provést následující kroky, aby počítač zobrazil disk v pouzdru TUF Gaming A1

- Nainstalujte nový disk SSD do pouzdra TUF Gaming A1, poté jej připojte k počítači přes port USB.
- Klikněte pravým tlačítkem na nabídku Start -> „Správa disků“
- Pokud počítač najde nový prázdný disk SSD v pouzdru TUF Gaming A1, zobrazí se „nepřidělený“ oddíl.
- „Nepřidělený“ oddíl se pro nový prázdný disk SSD nemusí zobrazit z následujících důvodů:
 - Disk SSD již byl naformátován.
 - Počítač nenašel nový prázdný disk SSD. Zkontrolujte, že je pouzdro TUF Gaming A1 řádně připojeno k počítači.
- Klikněte pravým tlačítkem na nepřidělený oddíl a vybráním možnosti „Nový jednoduchý svazek“ spusťte Průvodce vytvořením jednoduchého svazku.

- Zadejte požadovanou velikost oddílu (můžete také použít výchozí nastavení) a klikněte na možnost „Další“.
- Přiřadte písmeno jednotky nebo cestu (můžete také použít výchozí nastavení) a klikněte na možnost „Další“.
- Vyberte systém souborů a velikost alokační jednotky, poté zadejte jmenovku svazku (můžete také použít výchozí nastavení). Zaškrtněte možnost „Rychlé formátování“ a klikněte na možnost „Další“.
- Potvrďte všechna vybraná nastavení a kliknutím na možnost „Dokončit“ dokončete postup v Průvodci vytvořením jednoduchého svazku. Program poté připraví svazek.
- Po zformátování disku by počítač měl disk zobrazovat a umožňovat k němu řádný přístup.

Slovensky

Aby počítač zobrazil disk TUF Gaming A1, keď používate úplne nový disk SSD, budete musieť vykonať nižšie uvedené kroky.

- Nainštalujte nový disk SSD do TUF Gaming A1 a potom zo zapojte do počítača cez port USB.
- Pravým tlačidlom kliknite na položky “Start menu (Ponuka štartu)” -> “Disk Management (Správa disku)”
- Ak váš počítač zistí nový prázdny disk SSD v TUF Gaming A1, zobrazí sa časť „nepridelený“.
- Časť „nepridelený“ sa nemusí pre váš nový prázdny disk SSD zobrazit' z týchto dôvodov:
 - Váš disk SSD je už naformátovaný.
 - Počítač nezistil váš nový prázdny disk SSD. Uistite sa, že TUF Gaming A1 je správne pripojený k počítaču.
- Pravým tlačidlom kliknite na časť Nepridelený a sprievodcu novým jednoduchým zväzkom spustite tak, že vyberiete možnosť „Nový jednoduchý zväzok“.
- Stanovte požadovanú veľkosť tejto časti (môžete sa tiež rozhodnúť použiť štandardné nastavenie) a potom kliknite na tlačidlo „Next“ (Ďalej).
- Priradte písmeno alebo cestu ovládača (môžete sa tiež rozhodnúť použiť štandardné nastavenie) a potom kliknite na tlačidlo „Next“ (Ďalej).
- Vyberte typ vášho systému súborov a veľkosť jednotky pridelenia a potom napíšte označenie zväzku (môžete sa tiež rozhodnúť použiť štandardné nastavenie). Zafajknite možnosť „Vykonať rýchle formátovanie“ a potom kliknite na tlačidlo „Next“ (Ďalej).
- Potvrďte všetky vybrané nastavenia a potom kliknutím na tlačidlo „Finish“ (Dokončiť) spustite sprievodcu jednoduchým zväzkom a program vám pomôže nastaviť zväzok diskov.
- Počítač by mal po naformátovaní zobrazit' disk a umožniť vám správny prístup k nemu.

Magyar

Amennyiben egy új SSD-t használ, megtörténhet, hogy ahhoz, hogy a PC megjelenítse a TUF Gaming A1 lemezt, az alábbi lépéseket kell követnie

- Kérjük szerelje be az új SSD-t a TUF Gaming A1 egységbe, majd csatlakoztassa a PC-hez az USB porton keresztül.
- Jobb klikk "Start menü" -> "Disk Management (Lemezkezelő)"
- Ha a PC észleli az új üres SSD-t a TUF Gaming A1 eszközben, egy „kiosztatlan” partíció jelenik meg.
- A „kiosztatlan” partíció nem jelenik meg az új üres SSD számára az alábbi okok miatt:
 - Az SSD már formázva van.
 - Az új üres SSD-t nem érzékeli a PC, kérjük győződjön meg, hogy a TUF Gaming A1 eszköz megfelelően csatlakoztatva van a PC-hez.
- Kattintson a jobb egérgombbal a kiosztatlan partíción és válassza a „New Simple Volume” (Új egyszerű kötet) lehetőséget, hogy elindítsa az Új egyszerű kötet varázslót.
- Állítsa be a partíció kívánt méretét (választhatja az alapértelmezett beállítás használatát is) és kattintson a „Next” (Tovább) gombra.
- Rendeljen egy meghajtó betűt vagy elérési útvonalat (választhatja az alapértelmezett beállítás használatát is) és kattintson a „Next” (Tovább) gombra.
- Válassza ki a fájlrendszer típusát és a lemezfoglalási egység méretét, majd írja be a kötet címkéjét (választhatja az alapértelmezett beállítás használatát is). Jelölje be a Gyorsformázás opciót és kattintson a „Next” (Tovább) gombon.
- Ellenőrizze a kiválasztott beállításokat és kattintson a „Finish” (Kész) gombon az Új egyszerű kötet varázsló befejezéséhez és a program segít az új lemezkötet beállításában.
- Miután a lemez formázása elkészült, a PC meg kell jelenítse a lemezt és lehetővé kell tegye az elérését.

Română

Dacă utilizați un SSD nou, ar trebui să urmați pașii de mai jos pentru a afișa pe computer discul TUF Gaming A1

- Instalați noul dvs. SSD în TUF Gaming A1, apoi conectați-l la PC printr-un port USB.
- Click dreapta pe „Start menu (Meniul Start)” -> „Disk Management (administrare disc)”
- Dacă se detectează un nou SSD gol pe TUF Gaming A1, va apărea o partiție „nealocată”.
- Este posibil ca partiția „nealocată” să nu apară pentru noul dvs. SSD gol din următoarele motive:
 - Este posibil ca SSD-ul dvs. să fi fost deja formatat.
 - Noul dvs. SSD necompletat nu este detectat de computer, asigurați-vă că TUF Gaming A1 este conectat corect la computer.
- Faceți clic dreapta pe partiția nealocată și selectați „New Simple Volume (volum simplu nou)” pentru a porni expertul pentru crearea nou volum simplu.

- Specificați dimensiunea dorită a partiției (puteți alege, de asemenea, să utilizați setarea implicită) și faceți clic pe „Next (următorul)”.
- Alocați o literă de unitate sau o cale (puteți alege, de asemenea, să utilizați setarea implicită) și faceți clic pe „Next (următorul)”.
- Selectați tipul de sistem de fișiere și dimensiunea unității de alocare, apoi tastați eticheta de volum (puteți alege, de asemenea, să utilizați setarea implicită). Bifați opțiunea „Perform a quick format (formatare rapidă)” și faceți clic pe „Next (următorul)”.
- Confirmați toate setările selectate, apoi faceți clic pe „Finish (finalizat)” pentru a completa expertul de creare a unui volum nou simplu, iar programul vă va ajuta la configurarea volumului discului.
- După ce formatarea discului este efectuată, computerul ar trebui să afișeze și să vă permită să accesați discul în mod corect.

Українська

Якщо ви користуєтеся найновішим твердотільним диском, може знадобитися виконувати наступні кроки, щоб показувати диск TUF Gaming A1 на ПК

- Встановіть новий твердотільний диск у TUF Gaming A1, а потім підключіть його до ПК через порт USB.
- Правою кнопкою клацніть “Start menu (Пускове меню)” -> “Disk Management (Керування диском)”
- Якщо ПК визначає новий порожній твердотільний диск на TUF Gaming A1, з'явиться «нерозподілений» логічний диск.
- «Нерозподілений» логічний диск може не з'явитися на новому порожньому твердотільному диску з наступних причин:
 - Твердотільний диск було відформатовано.
 - Новий порожній твердотільний диск не визначено ПК.
 Переконайтеся, що TUF Gaming A1 правильно підключено до ПК.
- Правою кнопкою миші клацніть нерозподілений логічний диск і виберіть New Simple Volume (Новий простий том), щоб запустити програму-помічника Нового простого тому.
- Вкажіть бажаний розмір логічного диску (можна також вибрати налаштування за замовчуванням) і клацніть Next (Далі).
- Призначте диску літеру або доріжку (можна також вибрати налаштування за замовчуванням) і клацніть Next (Далі).
- Виберіть тип системи файлів і розмір одиниці розміщення, потім наберіть ярлик тому (можна також вибрати налаштування за замовчуванням). Позначте Perform a quick format (Виконати швидке форматування) і клацніть Next (Далі).
- Підтвердіть всі вибрані налаштування і клацніть Finish (Завершити), щоб завершити роботу програми-помічника Нового простого тому, і програма допоможе налаштувати том диску.
- Коли завершиться форматування диску, ПК правильно покаже і надасть доступ до диску.

Қазақша

Егер сіз жап-жаңа SSD жетегін қолдануда болсаңыз, Дербес компьютердің TUF Gaming A1 дискісін көрсетуі үшін төмендегі қадамдарды орындауыңыз қажет болуы мүмкін

- Жаңа SSD жетегін TUF Gaming A1 дискісіне орнатып, оны USB порты арқылы дербес компьютерге қосыңыз.
- «Бастапқы мәзір» опциясын тінтуірдің оң жағымен басып, «Дискті басқару» мүмкіндігін таңдаңыз
- Егер сіздің дербес компьютеріңіз TUF Gaming A1 дискісіндегі жаңа бос SSD жетегін тапса, «үлестірілмеген» бөлімі пайда болады.
- «Үлестірілмеген» бөлімі келесі себептерден сіздің жаңа бос SSD дискіңіз үшін пайда болмауы мүмкін:
 - Сіздің SSD жетегіңіз әлдақашан пішімделіп қойған болуы мүмкін.
 - Сіздің жаңа бос SSD дербес компьютер тарапынан анықталмауда, TUF Gaming A1 дискісінің дербес компьютерге тиісінше қосылғанына көз жеткізіңіз.
- Жаңа қарапайым том шеберін бастату үшін үлестірілмеген бөлімді тінтуірдің оң жағымен басып, «Жаңа қарапайым том» опциясын таңдаңыз.
- Бөлімнің қажетті өлшемін таңдап (сондай-ақ, әдепкі параметрді пайдалануды таңдауыңызға болады), «Келесі» таңдауын басыңыз.
- Жетек әрпін немесе жолын тағайындап (сондай-ақ, әдепкі параметрді пайдалануды таңдауыңызға болады), «Келесі» таңдауын басыңыз.
- Файлыңыздың жүйе түрі мен үлестіру бірлігінің өлшемін таңдап, том белгісін теріңіз (сондай-ақ, әдепкі параметрді пайдалануды таңдауыңызға болады). «Жылдам пішімдеуді орындау» опциясына құсбелгі қойып, «Келесі» таңдауын басыңыз.
- Таңдалған барлық параметрлерді растап, одан кейін Жаңа қарапайым том шеберінің жұмысын аяқтау үшін «Аяқтау» таңдауын басыңыз, бағдарлама дискіңіздің көлемін теңшеуге көмектеседі.
- Дисктің пішімделуі аяқталғаннан кейін дербес компьютер сізге дискті көрсетіп, оған тиісінше қатынасуыңызға мүмкіндік беруі керек.

Türkçe

Sıfır bir SSD kullanıyorsanız, bilgisayarın TUF Gaming A1 diskini görüntülemek için aşağıdaki adımları izlemeniz gerekebilir.

- Lütfen yeni SSD'nizi TUF Gaming A1'a takın, ardından bir USB bağlantı noktası ile bilgisayara takın.
- "Başlat menüsü" -> "Disk Yönetimi" öğelerine sağ tıklayın
- Bilgisayarınız TUF Gaming A1'da yeni bir boş SSD algılırsa, "ayrılmamış" bir bölüm görünecektir.
- Aşağıdaki nedenlerden dolayı yeni boş SSD'niz için "ayrılmamış" bölüm görüntülenmeyebilir:
 - SSD'niz zaten biçimlendirilmiş olabilir.
 - Yeni boş SSD'niz bilgisayar tarafından algılanmıyor, lütfen TUF Gaming A1'un bilgisayara düzgün şekilde bağlandığından emin olun.

- Ayrılmamış bölüme sağ tıklayın ve Yeni Basit Birim Sihirbazı'nı başlatmak için "Yeni Basit Birim"i seçin.
- Birimin istediğiniz boyutunu belirtin (varsayılan ayarı kullanmayı da seçebilirsiniz) ve "İleri" düğmesine tıklayın.
- Bir sürücü harfi veya yolu atayın (varsayılan ayarı kullanmayı da seçebilirsiniz) ve "İleri" düğmesine tıklayın.
- Dosya sistemi türünüzü ve ayırma birimi boyutunuzu seçin, ardından birim etiketinizi yazın (varsayılan ayarı kullanmayı da seçebilirsiniz). "Hızlı biçimlendirme gerçekleştir" seçeneğini işaretleyip "İleri" düğmesine tıklayın.
- Seçilen tüm ayarları onaylayın ve ardından Yeni Basit Birim Sihirbazı'nı tamamlamak için "Son" düğmesine tıklayın; program disk biriminizin kurulumuna yardımcı olacaktır.
- Disk biçimlendirme tamamlandıktan sonra bilgisayar görüntülenmeli ve diske düzgün bir şekilde erişmenize izin vermelidir.

Español

Si está utilizando una nueva unidad de estado sólido (SSD), es posible que deba seguir los pasos que se indican a continuación para que su PC muestre el disco de TUF Gaming A1.

- Instale la nueva unidad de estado sólido en su TUF Gaming A1 y, a continuación, conéctela a su PC a través de un puerto USB.
- Haga clic con el botón derecho en el "menú Inicio" -> "Administración de discos"
- Si su PC detecta una nueva unidad de estado sólido en blanco en su TUF Gaming A1, aparecerá una partición "sin asignar".
- Es posible que la partición "sin asignar" no aparezca para la nueva unidad de estado sólido en blanco debido a las siguientes razones:
 - Es posible que la unidad de estado sólido ya se haya formateado.
 - Su PC no detecta la nueva unidad de estado sólido en blanco. Asegúrese de que su TUF Gaming A1 está correctamente conectado a su PC.
- Haga clic con el botón derecho en la partición sin asignar y seleccione "Nuevo volumen simple" para iniciar el Asistente para nuevo volumen simple.
- Especifique el tamaño de partición que desee (también puede optar por utilizar la configuración predeterminada) y haga clic en "Siguiente".
- Especifique la letra de unidad o la ruta de acceso (también puede optar por utilizar la configuración predeterminada) y haga clic en "Siguiente".
- Seleccione el tipo de sistema de archivos y el tamaño de unidad de asignación y, a continuación, escriba la etiqueta de volumen (también puede optar por utilizar la configuración predeterminada). Active la opción "Dar formato rápido" y haga clic en "Siguiente".
- Confirme toda la configuración seleccionada y, a continuación, haga clic en "Finalizar" para completar el Asistente para nuevo volumen simple y el programa le ayudará a configurar el volumen de disco.
- Una vez completado el formato del disco, su PC debe mostrar dicho disco correctamente y le debe permitir acceder a él sin problemas.

Nederlands

Als u een gloednieuwe SSD gebruikt, moet u mogelijk de onderstaande stappen volgen zodat de pc de schijf van TUF Gaming A1 weergeeft

- Installeer uw nieuwe SSD in de TUF Gaming A1 en sluit deze dan aan op de pc via een USB-poort.
- Klik met de rechtermuisknop op "Start menu (Menu Start)" -> "Disk Management (Schijfbeheer)"
- Als uw pc een nieuwe lege SSD detecteert op de TUF Gaming A1, verschijnt een "niet toegewezen" partitie.
- De "niet toegewezen" partitie verschijnt mogelijk niet voor uw nieuwe lege SSD door de volgende redenen:
 - De SSD is mogelijk al geformatteerd.
 - Uw nieuwe lege SSD wordt niet gedetecteerd door de pc. Controleer of de TUF Gaming A1 goed is aangesloten op de pc.
- Klik met de rechtermuisknop op de niet toegewezen partitie en selecteer "New Simple Volume" (Nieuw eenvoudig volume) om de gelijknamige wizard te starten.
- Geef de gewenste grootte van de partitie op (u kunt ook kiezen om de standaardinstelling te gebruiken) en klik op "Next" (Volgende).
- Wijs een letter of pad toe (u kunt ook kiezen om de standaardinstelling te gebruiken) en klik op "Next" (Volgende).
- Selecteer uw type bestandssysteem en de grootte van de toewijzingsgrootte. Voer vervolgens uw volumelabel in (u kunt ook kiezen om de standaardinstelling te gebruiken). Selecteer de optie "Perform a quick format" (Snel formatteren) en klik op "Next" (Volgende).
- Bevestig alle geselecteerde instellingen en klik dan op "Finish" (Voltoeien) om de wizard "New Simple Volume" (Nieuw eenvoudig volume) te voltoeien. Het programma helpt u bij het instellen van het schijfvolume.
- Nadat het formatteren van de schijf is voltooid, moet de schijf op de pc worden weergegeven en voor u toegankelijk zijn.

Polski

W przypadku nowego dysku SSD może być konieczne wykonanie poniższych czynności, aby na komputerze wyświetlony został dysk znajdujący się w obudowie TUF Gaming A1

- Zainstaluj nowy dysk SSD w obudowie TUF Gaming A1, a następnie podłącz ją do portu USB komputera.
- Kliknij prawym przyciskiem myszy „menu Start” -> „Zarządzanie dyskami”.
- Jeśli komputer wykryje nowy pusty dysk SSD w obudowie TUF Gaming A1, pojawi się „nieprzydzielona” partycja.
- „Nieprzydzielona” partycja nowego pustego dysku SSD może nie pojawić się z następujących powodów:
 - Dysk SSD został już sformatowany.
 - Nowy pusty dysk SSD nie został wykryty przez komputer. Upewnij się, że obudowa TUF Gaming A1 została prawidłowo podłączona do komputera.

- Kliknij правым прическом мыши непризделонэ партицэ и выбер пеленне „Новы волумин просты”, абы уручонич Крелорэ новых волуминов простых.
- Окрешил жэданый розмилр партици (можес такжэ выбрач усавление домыслне) и кликнй прическ „Далеж”.
- Приписз литерэ луб шчелкжэ диску (можес такжэ выбрач усавление домыслне) и кликнй прическ „Далеж”.
- Выберз тип системы пликов и розмилр једностки алокэци, а настэпние wprowadжэ етыкетэ волумину (можес такжэ выбрач усавление домыслне). Зазначз опцэ „Выконэж шчыбкие форматование” и кликнй прическ „Далеж”.
- Sprэwdжэ wszысткие выбранне усавления, а настэпние кликнй прическ „Зэкоичз”, абы зэкоичзчэ прэцэ Крелорэ новых волуминов простых и уможливич програмови розпчэцие конфигураци волумину диску.
- Po sформатованиу диск zostэние wyswieltony na komputerze i бэдиэ можнэ узоскэч до него достэп.

Русский

Для использования нового SSD в TUF Gaming A1, возможно, потребуется выполнить следующие инструкции.

- Установите новый SSD в TUF Gaming A1, затем подключите его к компьютеру через разъем USB.
- Щелкните правой кнопкой мыши Пуск -> Управление дисками.
- Если компьютер обнаружит новый SSD в TUF Gaming A1, он отобразится как "нераспределенный" раздел.
- "Нераспределенный" раздел может не отображаться в новом SSD по следующим причинам:
 - Возможно, SSD уже отформатирован.
 - Новый SSD не определяется. Убедитесь, что TUF Gaming A1 правильно подключен к компьютеру.
- Щелкните правой кнопкой по нераспределенному разделу и выберите Создать простой том для запуска мастера создания простого тома.
- Укажите желаемый размер раздела (можно использовать значение по умолчанию) и нажмите кнопку Далее.
- Назначьте букву или путь (можно использовать значение по умолчанию) и нажмите кнопку Далее.
- Выберите файловую систему и размер кластера, затем введите метку тома (можно использовать значение по умолчанию). Установите флажок "Быстрое форматирование" и нажмите кнопку Далее. Установите флажок Выполнить быстрое форматирование и нажмите Далее.
- Подтвердите выбранные настройки и нажмите Готово для создания тома и завершения мастера.
- После завершения форматирования, диск отобразится и будет готов к использованию.

Português

Se estiver a utilizar um novo SSD, poderá ser necessário seguir os passos abaixo para que o PC exiba o disco da caixa TUF Gaming A1

- Instale o seu novo SSD na caixa TUF Gaming A1 e ligue-a ao PC através de uma porta USB.
- Clique com o botão direito no "menu Start (Iniciar)" -> "Disk Management (Gestão de Discos)"
- Se o seu PC detetar um novo SSD vazio na caixa TUF Gaming A1, será exibida uma partição "não alocada".
- A partição "não alocada" poderá não ser exibida para o novo SSD vazio devido aos seguintes motivos:
 - O seu SSD poderá já ter sido formatado.
 - O seu novo SSD vazio não está a ser detetado pelo PC.Certifique-se de que a caixa TUF Gaming A1 está corretamente ligada ao PC.
- Clique com o botão direito na partição não alocada e selecione "New Simple Volume" (Novo Volume Simples) para iniciar o Assistente de Novo Volume Simples.
- Especifique o tamanho desejado da partição (pode também optar por utilizar a predefinição) e clique em "Next" (Seguinte).
- Atribua uma letra de unidade ou caminho (pode também optar por utilizar a predefinição) e clique em "Next" (Seguinte).
- Selecione o tipo de sistema de ficheiros e o tamanho da unidade de alocação e, em seguida, introduza o nome do volume (pode também optar por utilizar a predefinição). Marque a opção "Perform a quick format" (Efetuar uma formatação rápida) e clique em "Next" (Seguinte).
- Confirme todas as definições selecionadas e clique em "Finish" (Concluir) para concluir o Assistente de Novo Volume Simples e o programa ajudará a configurar o volume do seu disco.
- Após a formatação do disco, o PC deverá exibir e permitir o acesso ao disco corretamente.

Ελληνικά

Εάν χρησιμοποιείτε ένα νέο SSD, ίσως χρειαστεί να ακολουθήσετε τα παρακάτω βήματα για να εμφανίσει ο υπολογιστής τον δίσκο του TUF Gaming A1

- Εγκαταστήστε το νέο σας SSD στο TUF Gaming A1 και, στη συνέχεια, συνδέστε το στον υπολογιστή μέσω μιας θύρας USB.
- Κάντε δεξί κλικ στην επιλογή "Start menu" (Μενού Έναρξη) -> "Disk Management" (Διαχείριση δίσκου)
- Αν ο υπολογιστής σας εντοπίσει ένα νέο κενό SSD στο TUF Gaming A1, θα εμφανιστεί ένα "μη κατανοητό" διαμέρισμα.
- Το "μη κατανοητό" διαμέρισμα ενδέχεται να μην εμφανίζεται για το νέο κενό SSD σας για τους εξής λόγους:
 - Το SSD μπορεί να έχει ήδη μορφοποιηθεί.
 - Το νέο κενό SSD δεν ανιχνεύεται από τον υπολογιστή. Βεβαιωθείτε ότι το TUF Gaming A1 έχει συνδεθεί σωστά στον υπολογιστή.
- Κάντε δεξί κλικ στο μη κατανοητό διαμέρισμα και επιλέξτε "New Simple Volume" (Νέος απλός τόμος) για να ξεκινήσετε τον "Οδηγό δημιουργίας απλού τόμου".

- Καθορίστε το επιθυμητό μέγεθος του διαμερίσματος (μπορείτε επίσης να επιλέξετε την προεπιλεγμένη ρύθμιση) και κάντε κλικ στην επιλογή "Next" (Επόμενο).
- Καθορίστε ένα γράμμα ή μια διαδρομή μονάδας δίσκου (μπορείτε επίσης να επιλέξετε την προεπιλεγμένη ρύθμιση) και κάντε κλικ στην επιλογή "Next" (Επόμενο).
- Επιλέξτε τον τύπο του συστήματος αρχείων και το μέγεθος της μονάδας κατανομής και, στη συνέχεια, πληκτρολογήστε το όνομα του όγκου (μπορείτε επίσης να επιλέξετε την προεπιλεγμένη ρύθμιση). Επιλέξτε την επιλογή "Perform a quick format" (Γρήγορη διαμόρφωση) και κάντε κλικ στην επιλογή "Next" (Επόμενο).
- Επιβεβαιώστε όλες τις επιλεγμένες ρυθμίσεις και, στη συνέχεια, κάντε κλικ στην επιλογή "Finish" (Τέλος) για να ολοκληρώσετε τον "Οδηγό νέου όγκου" και το πρόγραμμα θα σας βοηθήσει να ρυθμίσετε τον όγκο του δίσκου σας.
- Μετά την ολοκλήρωση της διαμόρφωσης του δίσκου, ο υπολογιστής πρέπει να εμφανίζει τον δίσκο σωστά και να σας επιτρέπει να έχετε πρόσβαση σε αυτόν.

日本語

新しい SSD にはパーティション (領域) が作成されていない場合があります、OS 上で SSD をドライブとして認識させるには SSD 上にパーティションを作成する必要があります。パーティションを作成するには、次の手順に従ってください。

- 新しい SSD を TUF Gaming A1 に取り付け、USB ケーブルを使用しコンピューターと接続します。
- スタートメニューを右クリックし、[ディスクの管理] をクリックします。
- 新しい SSD が認識されると「ディスクの初期化」画面が表示されるので、パーティションスタイルを選択し、[OK] をクリックします。
- 新しい SSD を取り付けても未割り当て領域が表示されない場合、SSD が既にフォーマットされている、または、TUF Gaming A1 が正しく認識されていない可能性があります。コンピューターに TUF Gaming A1 が正しく接続されていることをご確認ください。
- 新しい SSD の [未割り当て] を右クリックし、[新しいシンプルボリューム] を選択します。
- 新しいシンプルボリュームウィザードが開始されます。ボリュームサイズを指定し、[次へ] をクリックします。
- 任意のドライブ文字を選択し、[次へ] をクリックします。
- [このボリュームを次の設定でフォーマットする] が選択されていることを確認し、[次へ] をクリックします。
- 「新しいシンプルボリュームウィザードの完了」と表示されるので、[完了] をクリックします。
- SSD のフォーマットが開始されます。

Bahasa Indonesia

Jika menggunakan SSD baru, Anda mungkin perlu mengikuti langkah-langkah di bawah ini untuk PC agar menampilkan disk TUF Gaming A1

- Pasang SSD baru ke TUF Gaming A1, lalu sambungkan ke PC melalui port USB.
- Klik kanan "menu Start" -> "Manajemen Disk"
- Jika PC mendeteksi SSD baru kosong pada TUF Gaming A1, partisi yang "kosong" akan ditampilkan.

- Partisi "kosong" mungkin tidak ditampilkan untuk SSD baru kosong karena alasan berikut:
 - SSD mungkin telah diformat.
 - SSD baru kosong tidak terdeteksi oleh PC, pastikan TUF Gaming A1 telah tersambung dengan benar ke PC.
- Klik kanan partisi kosong, lalu pilih "Volume Sederhana Baru" untuk memulai Wizard Volume Sederhana Baru.
- Tentukan ukuran yang diinginkan dari partisi (Anda juga dapat memilih untuk menggunakan pengaturan default), lalu klik "Berikutnya".
- Tetapkan huruf atau jalur drive (Anda juga dapat memilih untuk menggunakan pengaturan default), lalu klik "Berikutnya".
- Pilih jenis sistem file dan ukuran unit alokasi, lalu jenis label volume (Anda juga dapat memilih untuk menggunakan pengaturan default). Lihat pilihan "Jalankan format cepat", lalu klik "Berikutnya".
- Konfirmasikan semua pengaturan yang dipilih, lalu klik "Selesai" untuk menyelesaikan Wizard Volume Sederhana Baru, dan program akan membantu konfigurasi volume disk Anda.
- Setelah format disk selesai, PC akan menampilkan dan mengizinkan Anda mengakses disk dengan benar.

Bahasa Melayu

Jika anda menggunakan SSD serba baharu, anda mungkin perlu mengikuti langkah-langkah di bawah untuk PC memaparkan cakera TUF Gaming A1

- Sila pasang SSD baharu anda ke dalam TUF Gaming A1, kemudian palamkannya ke dalam PC melalui port USB.
- Klik kanan "Menu Mula" -> "Pengurusan Cakera"
- Jika PC anda mengesan SSD kosong yang baharu pada TUF Gaming A1, sekatan yang "tidak diperuntukkan" akan muncul.
- Sekatan yang "tidak diperuntukkan" mungkin tidak muncul untuk SSD kosong anda yang baharu kerana sebab-sebab berikut:
 - SSD anda mungkin sudah diformat.
 - SSD kosong anda yang baharu tidak dikesan oleh PC, sila pastikan TUF Gaming A1 disambungkan ke PC dengan betul.
- Klik kanan pada sekatan yang tidak diperuntukkan dan pilih "Volum Ringkas Baharu" untuk memulakan Wizard Volum Ringkas Baharu.
- Tentukan saiz sekatan yang diinginkan (anda juga boleh memilih untuk menggunakan tetapan lalai) dan klik "Seterusnya".
- Tugaskan surat pemacu atau laluan (anda juga boleh memilih untuk menggunakan tetapan lalai) dan klik "Seterusnya".
- Pilih saiz sistem fail anda dan saiz unit peruntukan, kemudian taipkan label volum anda (anda juga boleh memilih untuk menggunakan tetapan lalai). Tandakan pilihan "Lakukan format cepat" dan klik "Seterusnya".
- Sahkan semua tetapan yang dipilih, kemudian klik "Selesai" untuk melengkapkan Wizard Volum Ringkas Baharu dan program tersebut akan membantu menyediakan volum cakera anda.
- Selepas format cakera dilengkapkan, PC harus memaparkan dan membenarkan anda mengakses cakera dengan betul.

한국어

새 SSD를 사용하는 경우, PC에서 TUF Gaming A1의 디스크를 표시하려면 아래 단계를 수행해야 합니다.

- 새 SSD를 TUF Gaming A1에 설치한 후, USB 포트를 통해 이를 PC에 연결하십시오.
- "Start menu(시작 메뉴)" -> "Disk Management(디스크 관리)" 순서로 마우스 오른쪽 버튼으로 클릭합니다.
- PC가 TUF Gaming A1에서 비어 있는 새 SSD를 감지하면 "할당되지 않은" 파티션이 표시됩니다.
- 다음과 같은 경우 비어 있는 새 SSD에 "할당되지 않은" 파티션이 표시되지 않을 수 있습니다.
 - SSD가 이미 포맷된 경우.
 - PC에서 비어 있는 새 SSD를 감지하지 못하는 경우. 이 경우 TUF Gaming A1이 PC에 올바르게 연결되어 있는지 확인하십시오.
- 할당되지 않은 파티션을 마우스 오른쪽 버튼으로 클릭하고 "New Simple Volume(새 단순 볼륨)"을 선택하여 New Simple Volume Wizard(새 단순 볼륨 마법사)를 시작하십시오.
- 원하는 파티션 크기를 지정하고(기본 설정을 사용하도록 선택할 수도 있음) "Next(다음)"을 클릭합니다.
- 드라이브 문자 또는 경로를 지정하고(기본 설정을 사용하도록 선택할 수도 있음) "Next(다음)"을 클릭합니다.
- 파일 시스템 형식 및 할당 단위 크기를 선택한 후 볼륨 레이블을 입력합니다(기본 설정을 사용하도록 선택할 수도 있음). "Perform a quick format(빠른 포맷 실행)" 옵션을 선택하고 "Next(다음)"를 클릭합니다.
- 선택한 모든 설정을 확인한 후 "Finish(마침)"를 클릭하여 New Simple Volume Wizard(새 단순 볼륨 마법사)를 완료하면 프로그램이 디스크 볼륨 설정을 도와줍니다.
- 디스크 포맷이 완료되면 PC가 표시되면서 디스크에 올바르게 액세스할 수 있게 됩니다.

ไทย

หากคุณใช้ SSD แบบรุ่นใหม่ คุณอาจต้องทำตามขั้นตอนด้านล่างเพื่อให้เครื่อง PC แสดงดิสก์ของ TUF Gaming A1

- กรุณาติดตั้ง SSD ใหม่ลงใน TUF Gaming A1 จากนั้นเสียบเข้ากับเครื่อง PC ผ่านพอร์ต USB
- คลิกขวาที่ "Start menu (เมนูเริ่มต้น)" -> "Disk Management (การจัดการดิสก์)"
- หากเครื่อง PC ของคุณตรวจพบ SSD ว่างใหม่บน TUF Gaming A1 พาร์ติชัน "unallocated (ไม่ได้เป็นส่วน)" จะปรากฏขึ้น
- พาร์ติชัน "unallocated (ไม่ได้เป็นส่วน)" อาจไม่ปรากฏขึ้นสำหรับ SSD ว่างใหม่เนื่องจากเหตุผลต่อไปนี้:
 - SSD อาจได้รับการฟอร์แมตแล้ว
 - เครื่อง PC ไม่สามารถตรวจพบ SSD ว่างใหม่ โปรดตรวจสอบให้แน่ใจว่า TUF Gaming A1 เชื่อมต่อกับเครื่อง PC อย่างถูกต้อง
- คลิกขวาที่พาร์ติชันที่ไม่ได้เป็นส่วน และเลือก "New Simple Volume (สร้างไดรฟ์ข้อมูลแบบง่าย)" เพื่อเริ่มใช้งานตัวช่วยสร้างไดรฟ์ข้อมูลแบบง่าย

- ระบุขนาดที่ต้องการของพาร์ติชัน (คุณอาจเลือกที่จะใช้การตั้งค่าเริ่มต้น) และคลิก "Next (ถัดไป)"
- กำหนดอักษรระบุไดรฟ์หรือเส้นทาง (คุณอาจเลือกที่จะใช้การตั้งค่าเริ่มต้น) และคลิก "Next (ถัดไป)"
- เลือกประเภทระบบไฟล์และขนาดหน่วยการบิตส่วนของคุณจากนั้นพิมพ์ป้ายกำกับไดรฟ์ข้อมูล (คุณสามารถเลือกใช้การตั้งค่าเริ่มต้น) ทำเครื่องหมายตัวเลือก "Perform a quick format (ทำการฟอร์แมตด่วน)" แล้วคลิก "Next (ถัดไป)"
- ยืนยันการตั้งค่าที่เลือกทั้งหมดจากนั้นคลิก "Finish (เสร็จสิ้น)" เพื่อให้ตัวช่วยสร้างไดรฟ์ข้อมูลแบบง่ายสมบูรณ์ และโปรแกรมจะช่วยตั้งค่าไดรฟ์ข้อมูลดิสก์ของคุณ
- หลังจากฟอร์แมตดิสก์เสร็จสมบูรณ์ เครื่อง PC ควรแสดงและอนุญาตให้คุณเข้าถึงดิสก์ได้อย่างถูกต้อง

Tiếng Việt

Nếu đang sử dụng ổ SSD hoàn toàn mới, bạn có thể cần thực hiện theo các bước bên dưới cho máy tính để hiển thị đĩa trên TUF Gaming A1

- Hãy lắp đặt ổ SSD mới vào TUF Gaming A1, sau đó cắm nó vào máy tính qua cổng USB.
- Nhấp chuột phải "Menu Start (Khởi động)" -> "Disk Management (Quản lý ổ đĩa)"
- Nếu máy tính của bạn phát hiện ra ổ SSD mới trống trên TUF Gaming A1 thì nó sẽ xuất hiện một phân vùng "chưa phân chia".
- Phân vùng "chưa phân chia" có thể không xuất hiện cho ổ SSD mới trống vì những lý do sau:
 - Ổ SSD có thể đã được định dạng.
 - Ổ SSD mới trống không được phát hiện bởi máy tính; đảm bảo bạn đã cắm TUF Gaming A1 vào máy tính đúng cách.
- Nhấp chuột phải vào phân vùng chưa phân chia và chọn "New Simple Volume (Bộ ổ đĩa đơn mới)" để khởi động New Simple Volume Wizard (Trình hướng dẫn thiết lập bộ ổ đĩa đơn mới).
- Chỉ định kích thước mong muốn cho phân vùng (bạn cũng có thể chọn sử dụng cài đặt mặc định) và nhấp "Next (Kế tiếp)".
- Gán chữ cái hoặc đường dẫn ổ đĩa (bạn cũng có thể chọn sử dụng cài đặt mặc định) và nhấp "Next (Kế tiếp)".
- Chọn loại hệ thống tập tin và kích thước đơn vị phân chia, sau đó nhập nhãn cho bộ ổ đĩa (bạn cũng có thể chọn sử dụng cài đặt mặc định). Đánh chọn tùy chọn "Perform a quick format (Thực hiện định dạng nhanh)" và nhấp "Next (Kế tiếp)".
- Xác nhận mọi cài đặt đã chọn, sau đó nhấp "Finish (Kết thúc)" để hoàn tất New Simple Volume Wizard và chương trình sẽ giúp thiết lập bộ ổ đĩa của bạn.
- Sau khi hoàn tất định dạng đĩa, máy tính sẽ hiển thị và cho phép bạn truy cập ổ đĩa thích hợp.

- إذا كنت تستخدم محرك أقراص ثابتة جديد من ماركة معروفة، فقد تحتاج أن تتبع الخطوات الواردة أدناه على حاسوبك الشخصي لعرض قرص TUF Gaming A1.
- يرجى تركيب محرك الأقراص الثابتة (SSD) الجديد بـ TUF Gaming A1، ثم صله بحاسوبك الشخصي عبر منفذ USB
 - انقر بزر الماوس الأيمن على "قائمة Disk Managent" -> "Start (إدارة القرص)"
 - إذا اكتشف حاسوبك الشخصي محرك الأقراص الثابتة (SSD) جديداً وفارغ على TUF Gaming A1، فسيظهر قسم بعنوان "unallocated" (غير مخصص).
 - قد لا يظهر قسم عنوان "unallocated" (غير مخصص) لـ SSD الجديد والفارغ نتيجة الأسباب التالية:
 - تم تنسيق SSD بالفعل.
 - لم يتم اكتشاف SSD الجديد والفارغ بواسطة حاسوبك الشخصي، يرجى التأكد من توصيل TUF Gaming A1 بالحاسوب الشخصي بشكل صحيح.
 - انقر بزر الماوس الأيمن على القسم غير المخصص واختر "New Simple Volume" ("حجم بسيط جديد") لبدء تشغيل معالج New Simple Volume.
 - حدد الحجم المراد للقسم (يمكنك أيضاً اختيار استخدام الإعداد الافتراضي) وانقر على "Next" ("التالي").
 - عين مسار أو حرف المشغل (يمكنك أيضاً اختيار استخدام الإعداد الافتراضي) وانقر على "Next" ("التالي").
 - حدد نوع نظام الملف وحجم وحدة التخصيص، ثم اكتب عنوان الحجم خاصتك (يمكنك أيضاً اختيار استخدام الإعداد الافتراضي). تحقق من خيار "Perform a quick format" ("القيام بتنسيق سريع") وانقر على "Next" ("التالي").
 - أكد كل الإعدادات المختارة ثم انقر على "Finish" ("إنهاء") لإتمام معالج New Simple Volume والبرنامج سيساعدك في إعداد حجم القرص لديك.
 - بعد إتمام تنسيق القرص، يجب أن يعرض حاسوبك الشخصي القرص ويتيح لك الوصول إليه بشكل سليم.

نكته

- اگر از SSD جدید استفاده می کنید لازم است مراحل زیر را دنبال کنید تا دیسک TUF Gaming A1 در کامپیوتر قابل پخش باشد.
- لطفاً SSD جدید را در TUF Gaming A1 نصب کنید و آن را از طریق پورت USB به کامپیوتر وصل کنید.
 - روی "Start menu" (منوی شروع) کلیک راست کنید و به "Disk Management" (مدیریت دیسک) بروید
 - اگر کامپیوتر یک SSD خالی جدید را در TUF Gaming A1 شناسایی کرده، یک پارتیشن "unallocated" (اختصاص داده نشده) نمایش داده می شود.
 - پارتیشن "unallocated" ممکن است به دلایل زیر برای SSD خالی جدید نمایش داده نشود:
 - ممکن است SSD قبلاً فرمت شده باشد.
 - ممکن است SSD خالی جدید توسط کامپیوتر شناسایی نشده باشد، لطفاً بررسی کنید که TUF Gaming A1 به درستی به کامپیوتر وصل باشد.
 - روی پارتیشن اختصاص داده نشده کلیک راست کنید و گزینه "New Simple Volume" را انتخاب کنید تا New Simple Volume Wizard شروع به کار کند.
 - اندازه دلخواه پارتیشن را مشخص کنید (می توانید تنظیمات پیش فرض را انتخاب کنید) و روی "Next" (بعدی) کلیک کنید.
 - حرف مشخصه درایور مورد نظر را اختصاص دهید (می توانید تنظیمات پیش فرض را انتخاب کنید) و روی "Next" (بعدی) کلیک کنید.
 - نوع سیستم فایل و اندازه واحد تخصیص را انتخاب کنید، سپس برجسب حجم و اندازه را بنویسید (می توانید تنظیم پیش فرض را انتخاب کنید). گزینه "Perform a quick format" (انجام فرمت سریع) را علامت بزنید و روی "Next" (بعدی) کلیک کنید.
 - همه تنظیمات انتخابی را تأیید کنید و روی "Finish" (پایان) کلیک کنید تا New Simple Volume Wizard تکمیل شود و برنامه عملیات راه اندازی حجم دیسک را انجام دهد.
 - بعد از پایان فرمت دیسک، کامپیوتر باید به درستی دیسک را نشان دهد و امکان دسترسی به آن را خواهید داشت.

- אם משתמשים בכונן SSD חדש לחלוטין, ייתכן שיהיה צורך לפעול לפי השלבים שלהלן במחשב כדי להציג את הכונן של TUF Gaming A1.
- יש להתקין את כונן ה-SSD החדש בתוך TUF Gaming A1 ולאחר מכן לחבר אותו למחשב באמצעות חיבור USB.
- לוחצים לחיצה ימנית על "Start menu" (תפריט התחל) <- "Disk Management" (ניהול כוננים)
- אם המחשב מזהה כונן SSD ריק ב-TUF Gaming A1, תופיע מחיצה בסטטוס "unallocated" (לא מוקצה).
- המחיצה בסטטוס "unallocated" עלולה שלא להופיע עבור כונן ה-SSD החדש מהסיבות האלה:
- ייתכן שכונן ה-SSD כבר אותחל.
- המחשב לא יזהה את כונן ה-SSD החדש הריק, ודא ש-TUF Gaming A1 מחובר כהלכה למחשב.
- לוחצים לחיצה ימנית על המחיצה ובחרים באפשרות "New Simple Volume" (כונן פשוט חדש) כדי להפעיל את New Simple Volume Wizard (אשף הכונן הפשוט החדש).
- מציינים את הגודל הרצוי של המחיצה (אפשר גם לבחור את הגדרת ברירת המחדל) ולוחצים על "Next" (הבא).
- מציינים את האות או הנתיב של הכונן (אפשר גם לבחור את הגדרת ברירת המחדל) ולוחצים על "Next" (הבא).
- בוחרים את סוג מערכת הקבצים ואת הקצאת גודל היחידה ולאחר מכן מקלידים את שם הכונן (אפשר גם לבחור את הגדרת ברירת המחדל). מסמנים את האפשרות "Perform a quick format" (ביצוע אתחול מהיר) ולוחצים על "Next" (הבא).
- מאשרים את כל ההגדרות שנבחרו ולוחצים על "Finish" (סיום) כדי להשלים את אשף הכונן הפשוט החדש והתוכנית תסייע להגדיר את נפח הכונן.
- לאחר אתחול הכונן, המחשב אמור להציג ולהתיר גישה למאפייני הכונן.



Contact Information _____

■ **ASUSTek Computer Inc.**

1F., No. 15, Lide Rd., Beitou Dist., Taipei City 112, Taiwan
FAX +886-2-2894-3447

■ **ASUS Computer GmbH**

HARKORT STR. 21-23, 40880 RATINGEN, GERMANY
FAX +49-2102-959911

■ **ASUSTek (UK) LIMITED**

1st Floor, Sackville House, 143-149 Fenchurch Street, London,
EC3M 6BL, England, United Kingdom

