

DREAME

Dreame Roboticmower A1 Pro
User Manual

EN	P05~P39
DE	P40~P75
FR	P76~P113
IT	P114~P148
ES	P149~P183
NL	P184~P218

DECLARATION OF CONFORMITY

Dreame Trading (Tianjin) Co., Ltd.

No. 1-1-2112, Financial and Trade Center South Zone, 6975 Asia Road,
Tianjin Pilot Free Trade Zone (Dongjiang Bonded Port Zone), Tianjin 300461, P.R. China

On behalf of Dreame declare that the product

Description **Robotic Lawnmower**

Type **MLLA7210**

Function **Cutting grass**

Complies with the following Directives

2006/42/EC, 2014/30/EU, 2014/35/EU, 2011/65/EU&(EU)2015/863,2014/53/EU

Standards conform to,

**EN 60335-1:2012+A11+A13+A1+A14+A2:2019+A15:2021, EN 50636-2-107:2015+A1+A2:2020+A3: 2021,
EN 60335-2-29:2004+A2+A11:2018, EN 62233:2008, EN 55014-1:2017+A11:2020,
EN 55014-2:2015, EN IEC 61000-3-2:2019, EN 6 1000-3-3:2013+A1:2019, EN ISO 3744:2005,
EN300 328V2.2.2, EN 301 489-1V2.2.3, EN 301 489-17 V3.2.4, EN IEC 62311:2020,
EN 61558-1:2005+A1:2009, EN 61558-2-16:2 009+A1:2013, EN 55011:2016+A11:2020,
EN 303 447 V1.1.1, EN 55032:2015+A11:2020, EN 55035:2017+A11:2020**

Manufacturers authorized EU Representative

EUREP GmbH

Unterlettenweg 1a, 85051 Ingolstadt,Germany

eurep@eurep-gmbh.com

+49 841 8869 7744

Place of Issue: Suzhou

Date of Issue: 05/01/2024

Issuer's signature:



Name of Issuer: Bird Liu

Position of the issuer: Quality Director

No. 1-1-2112, Financial and Trade Center South Zone, 6975 Asia Road,
Tianjin Pilot Free Trade Zone (Dongjiang Bonded Port Zone), Tianjin 300461, P.R. China



Original Instructions

Table of Contents

1 Safety Instructions	P06
2 What's in the Box	P10
3 Product Overview	P11
4 Installation	P12
5 Preparations before Use	P14
6 Map Your Garden	P17
7 Operation	P23
8 Dreamehome App	P28
9 Maintenance	P28
10 Battery	P30
11 Winter Storage	P34
12 Transport	P34
13 Troubleshooting	P35
14 Specifications	P38

1 Safety Instructions

1.1 General safety instructions

- Carefully read and understand the user manual before using the product.
- Only use the equipment recommended by Dreame with the product. Any other usage is incorrect.
- Do not allow children to be in the vicinity or play with the machine when it is operating.
- Do not use the product in areas where people are unaware of its presence.
- When manually operating the product with the Dreamehome App, do not run. Always walk, watch your steps on slopes, and maintain balance at all times.
- Avoid using the product when there are people, especially children or animals, in the work area.
- If operating the product in public areas, place warning signs around the work area with the following text: "Warning! Automatic lawn mower! Keep away from the machine! Supervise children!"
- Wear sturdy footwear and long trousers when operating the product.
- To prevent damage to the product and accidents involving vehicles and individuals, do not set work areas or transport paths across public pathways.
- Do not touch moving hazardous parts, such as the blade disc, before it has come to a complete stop.
- Seek medical aid in case of injury or accidents.
- Set the product to **OFF** before clearing blockages, performing maintenance, or examining the product. If the product vibrates abnormally, inspect it for damage before restarting. Do not use the product if any parts are defective.
- Do not install the main cable in areas where the product will cut. Follow the instructions provided for cable installation.
- Only use the charging station included in the package to charge the product. Incorrect use may result in electric shock, overheating, or corrosive liquid leakage from the battery. In case of electrolyte leakage, flush with water/neutralizing agent and seek medical aid if the corrosive liquid comes into contact with your eyes.
- When connecting the main cable to the power outlet, use a residual-current device (RCD) with a maximum tripping current of 30 mA.
- Only use original batteries recommended by Dreame. The safety of the product cannot be guaranteed with non-original batteries. Do not use non-rechargeable batteries.
- Keep extension cords away from moving hazardous parts to avoid damage to the cords which can lead to contact with live parts.
- The illustrations used in this document are for reference only. Please refer to the actual products.
- Never allow children, persons with reduced physical, sensory or mental capabilities or lack of experience and knowledge or people unfamiliar with these instructions to use the machine, local regulations may restrict the age of the operator.
- Do not connect or touch a damaged cable until it is disconnected from the power outlet. If the cable becomes damaged during operation, disconnect the plug from the power outlet. A worn or damaged cable increases the risk of electrical shock and should be replaced by service personnel.
- Do not push the product forcefully or quickly, as this may damage the product.
- To maintain compliance with the RF exposure requirement, a separation distance of 35 cm between the device and the human should be maintained.
- For the purposes of recharging the battery, only use the detachable supply unit provided with this appliance.

1.2 Safety instructions for installation

- Avoid installing the charging station in areas where people may trip over it.
- Do not install the charging station in areas where there is a risk of standing water.
- Do not install the charging station, including any accessories, within 60 cm/24 in of any combustible material. Malfunctioning or overheating of the charging station and power supply can pose a fire hazard.

- For users in the USA/Canada: If installing the power supply outdoors, there is a risk of electric shock. Only install it in a covered Class A GFCI receptacle (RCD) with a weatherproof enclosure, ensuring that the attachment plug cap is inserted or removed.

1.3 Safety instructions for operation

- Keep your hands and feet away from the rotating blades. Do not place your hands or feet near or below the product when it is turned on.
- Do not lift or move the product when it is turned on.
- Use the park mode or set the product to **OFF** when there are people, especially children or animals, in the work area.
- Ensure that there are no objects such as stones, branches, tools, or toys on the lawn. Otherwise, the blades may be damaged when they come into contact with an object.
- Do not put objects on top of the product or charging station.
- Do not use the product if the **STOP** button is not functioning.
- Avoid collisions between the product and people or animals. If a person or animal comes in the path of the product, stop it immediately.
- Always set the product to **OFF** when it is not in operation.
- Do not use the product simultaneously with a pop-up sprinkler. Utilize the Schedule function to ensure that the product and pop-up sprinkler do not operate at the same time.
- Avoid placing a connection channel where pop-up sprinklers are installed.
- Do not operate the product in the presence of standing water in the work area, such as during heavy rain or water pooling.

1.4 Safety instructions for maintenance

- Set the product to **OFF** when performing maintenance.
- After washing, ensure that the product is placed on the ground in its normal orientation, not upside down.
- Do not reverse the product to clean the chassis. If you do reverse it for cleaning purposes, make sure to restore it to its proper orientation afterward. This precaution is necessary to prevent water from entering the motor and potentially affecting normal operation.
- Disconnect the plug from the charging station or remove the disabling device before cleaning or performing maintenance on the charging station.
- Do not use a high-pressure washer or solvents to clean the product.

1.5 Battery safety






Lithium-ion batteries can explode or cause a fire if disassembled, short-circuited, exposed to water, fire, or high temperatures. Handle them with care, do not dismantle or open the battery, and avoid any form of electrical/mechanical abuse. Store them away from direct sunlight.






1. Only use the battery charger and power supply provided by the Manufacturer. The use of an inappropriate charger and power supply can cause electric shocks and / or overheating.
2. DO NOT ATTEMPT TO REPAIR OR MODIFY BATTERIES! Repair attempts may result in severe personal injury, due to explosion or electrical shock. If a leak develops, released electrolytes are corrosive and toxic.
3. This appliance contains batteries that are only replaceable by skilled persons.

1.6 Residual risks

To avoid injuries, wear protective gloves when replacing the blades.

1.7 Symbols and Decals

	<p>WARNING - Read user instructions before operating the machine.</p>
	<p>WARNING - Keep a safe distance from the machine when operating.</p>
	<p>WARNING - Operate the disabling device before working on or lifting the machine.</p>
	<p>WARNING - Do not ride on the machine.</p>
	<p>WARNING - It is not permitted to dispose of this product as normal household waste. Ensure that the product is recycled in accordance with local legal requirements.</p>

	This product conforms to the applicable EC Directives.
	Class III
	Before charging, read the instructions.
	Direct current
	Class II

INTENDED USE

The garden product is intended for domestic lawn mowing. It is designed to mow often, maintaining a healthier and better looking lawn than ever before. Depending on the size of your lawn, your mower may be programmed to operate at any time or frequency. It is impossible for digging, sweeping or snow cleaning.

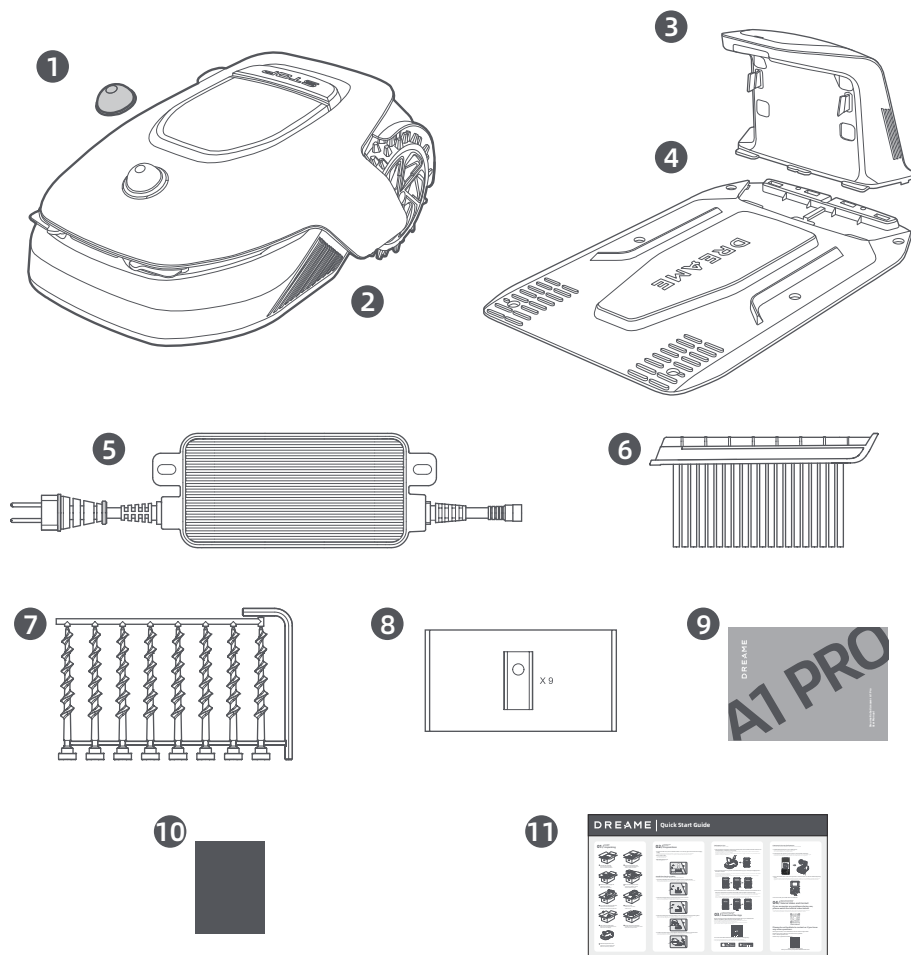


Hereby, Dreame Trading (Tianjin) Co., Ltd. declares that the radio equipment model Dreame Roboticmower MLLA7210 is in compliance with Directive 2014/53/EU. The full text of the EU declaration of conformity is available at the following internet address: <https://global.dreametech.com>

The product is in compliance with UK PSTI regulations, the full text of declaration of conformity is available at the following internet address: <https://global.dreametech.com>

For detailed e-manual, please go to <https://dreametech.zendesk.com/hc/en-us/categories/7968864195993-User-Manual>

2 What's in the Box



1 LiDAR protective cover

3 Charging tower
(with a 10 m extension cable)

5 Power supply

7 Screws × 8, Hex key

9 User manual

11 Quick start guide

2 A1 Pro

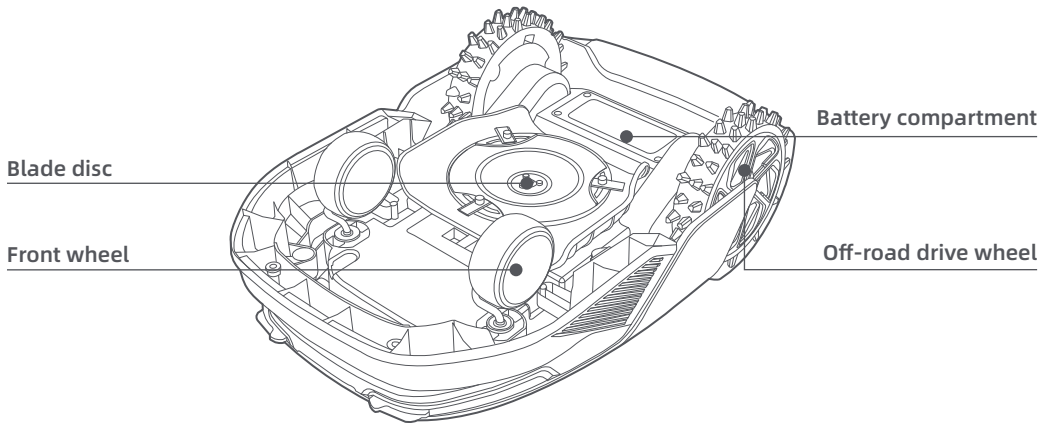
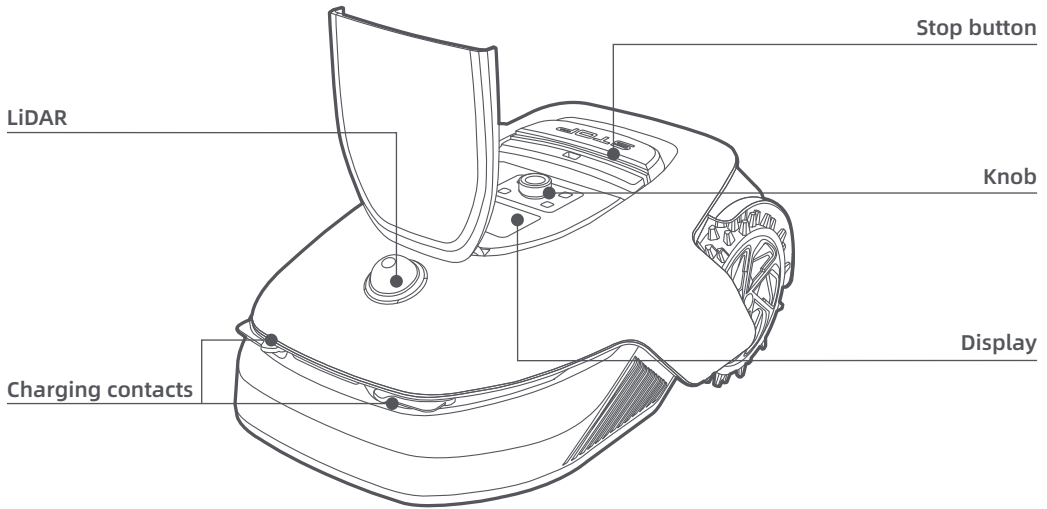
4 Baseplate

6 Cleaning brush

8 Spare blade × 9

10 Lint-free cloth

3 Product Overview



Sensor

Name	Description
LiDAR	Obtains environmental information and facilitates A1 Pro's positioning, obstacle avoidance and sensing of water and dirt. Detection range: 70 m with 360° horizontal and 59° vertical wide angle.

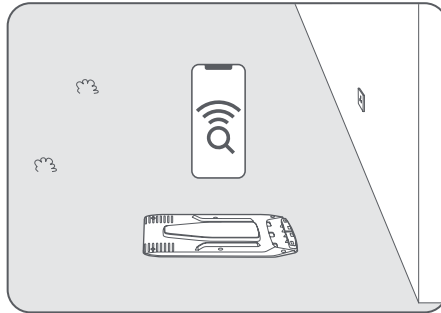
4 Installation

4.1 Select a suitable location

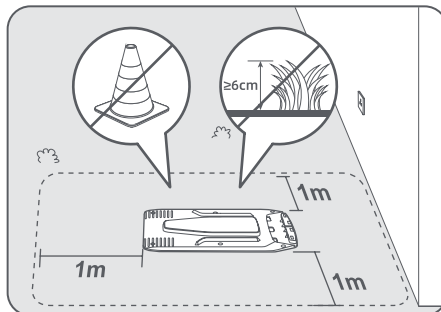
- Place the charging station on a level surface near the edge of the lawn and a power outlet. It is recommended to place the charging station in an area with good Wi-Fi signal strength.

Note: Use your mobile device to help check the Wi-Fi signal strength of the location. Good Wi-Fi signal strength improves the stability of connection between A1 Pro and the app.

Note: Make sure the ground is soft enough to allow screw installation.

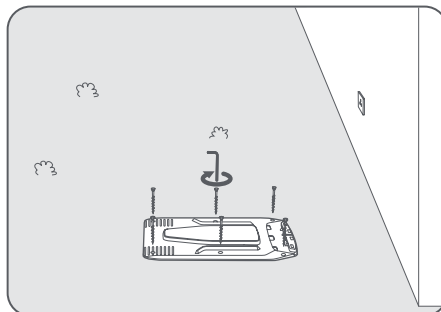


- Keep at least **1 m** of free space with no obstacles to the left, right and in front of the charging station. Make sure that the grass around the location is shorter than **6 cm**. If the grass is taller, please mow it with a push mower first. Tall grass may make it difficult for A1 Pro to return to the charging station.

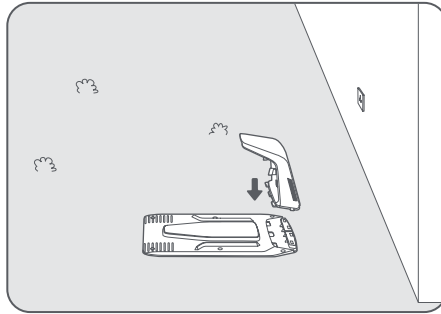


4.2 Install the charging station

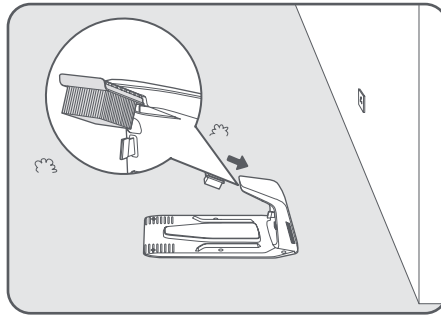
- Secure the baseplate to the ground with supplied screws using the hex key.



- 2 Insert the charging tower to the baseplate until you hear the click.

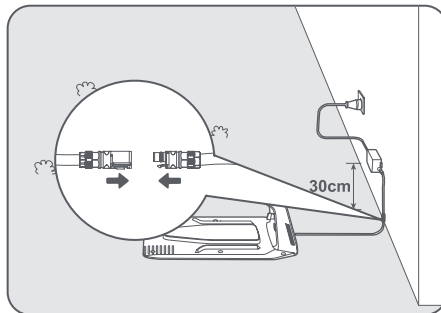


- 3 Insert the cleaning brush into the charging tower by aligning the tongue with the groove.



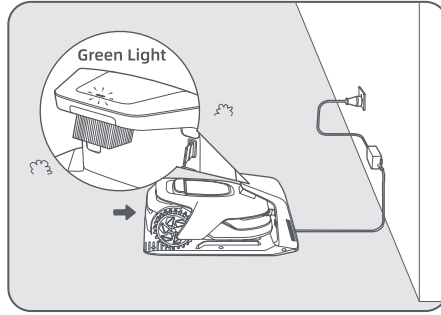
- 4 Connect the power supply to the extension cable and then connect to a power outlet. Please keep the power supply at least **30 cm** above the ground.

Note: The LED indicator on the charging station will be constant blue if there is power.



- 5 Put A1 Pro in the charging station to charge. Make sure the charging contacts on A1 Pro and the charging station are connected correctly.

Note: The indicator light will blink green if A1 Pro is charging successfully in the charging station.



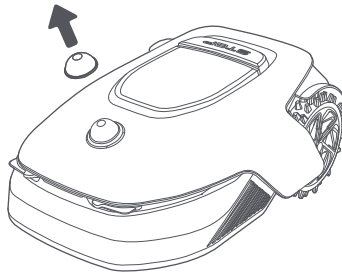
LED Indicator on the charging station

LED Indicator Light Colour	Meaning
Blinking/solid red	1. Charging station has a problem (for example a charging current or voltage problem).
	2. A1 docks in the charging station but the charging is abnormal (for example charging contacts have a short circuit).
Solid blue	The charging station has power. A1 Pro is not in the charging station.
Blinking green	A1 Pro is charging in the charging station.
Solid green	A1 Pro is in the charging station and fully charged.

5 Preparations before Use

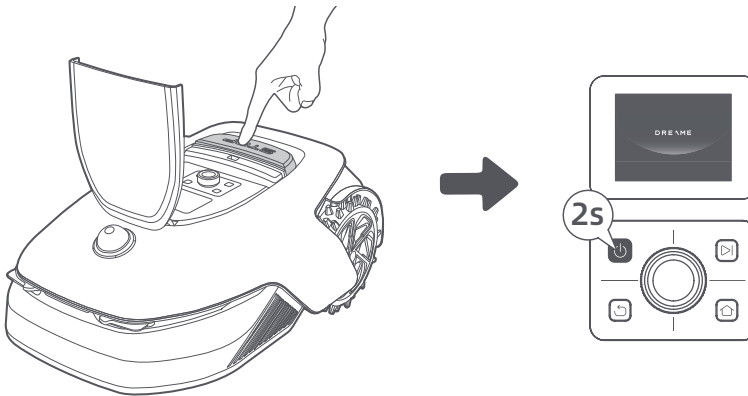
When A1 Pro is turned on for the first time, there are some basic settings to do before A1 Pro is ready to start working.

- 1 Remove the LiDAR protective cover.



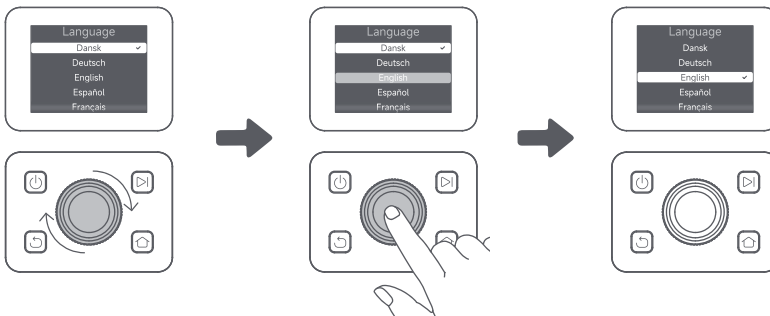
2 Press **Stop** button to open the cover of the control panel. Press and hold the **Power** button on the control panel for **2 seconds** to turn on A1 Pro.

Note: A1 Pro will automatically turn on when it docks in the charging station.



3 Select the language you prefer

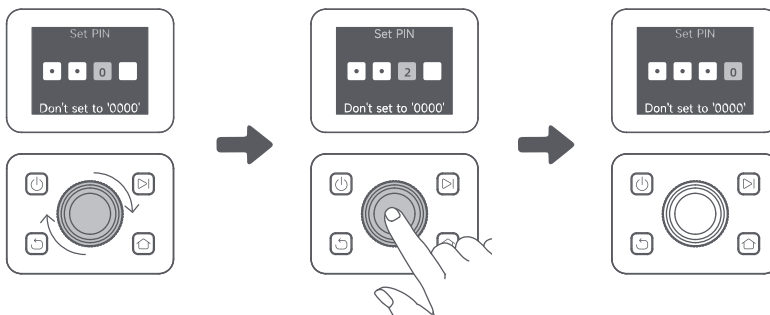
Turn the knob clockwise to go down and anticlockwise to go up to select your language. Press the knob to confirm.



4 Set PIN code

1. Turn the knob to select number from 0 to 9. Turn it clockwise to increase the number from 0 to 9 and turn it anticlockwise to decrease the number. Press the knob to set the next digit. To modify the previous digit, turn the knob anticlockwise until the number becomes 0 and keep turning it one time more.

Note: Please do not set the PIN code to "0000".



2. Enter the PIN code again to complete setting the PIN code.

Note: If two passwords do not match, please set the new password again.

5 Connect A1 Pro to the internet

Please scan the QR code to download the Dreamehome app on your mobile device. After the installation, please create an account and log in.

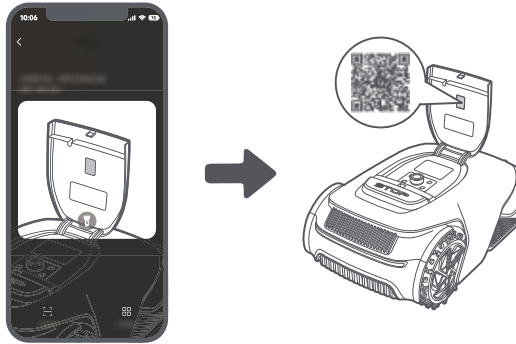


You can also download Dreamehome app from App Store or Google Play.

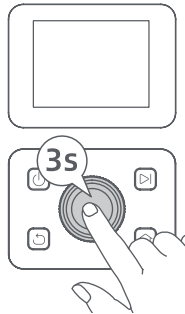


1) Bluetooth connection

1. Enable Bluetooth function on your mobile device.
2. Scan the QR code inside the cover or select A1 Pro manually via the App.



3. Press and hold the knob on the control panel for 3 seconds and A1 Pro will enter Bluetooth pairing mode.



4. Pair A1 Pro with your mobile device via Bluetooth.

Note: Make sure that your mobile device is within **10 m** of A1 Pro.

2) Wi-Fi connection

Make sure A1 Pro and your mobile device are on the same Wi-Fi network. Please follow the in-app guidance to complete the connection.

Note: Please use a single-band network of 2.4 GHz frequency or dual-band network of 2.4/5 GHz frequency.

Note: You can also purchase the Link Module to remotely control A1 Pro without Wi-Fi connection.

How to unbind A1 Pro?

A1 Pro is automatically bound to the Dreamehome account once pairing is successful. Each device can only be bound to one account. It cannot be bound to another account at the same time.

To pair A1 Pro with a new account, you need to unbind it first. You can go to **"Device"**, and tap **More > Delete** in the upper right corner to unbind the device.

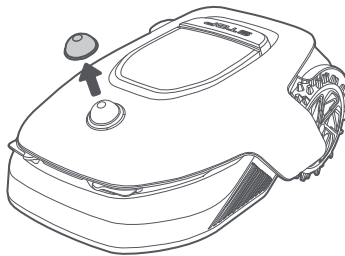
How to log out of your Dreamehome account or delete it?

To log out, go to **Me > Settings > Account > Log Out**. To delete the account, go to **Me > Settings > Account > Delete Account**.

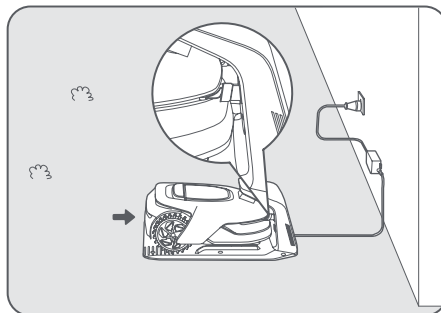
6 Map Your Garden

Before mapping, please check the following:

- The battery level of A1 Pro is more than **50%**.
- Protective cover of the LiDAR is removed.

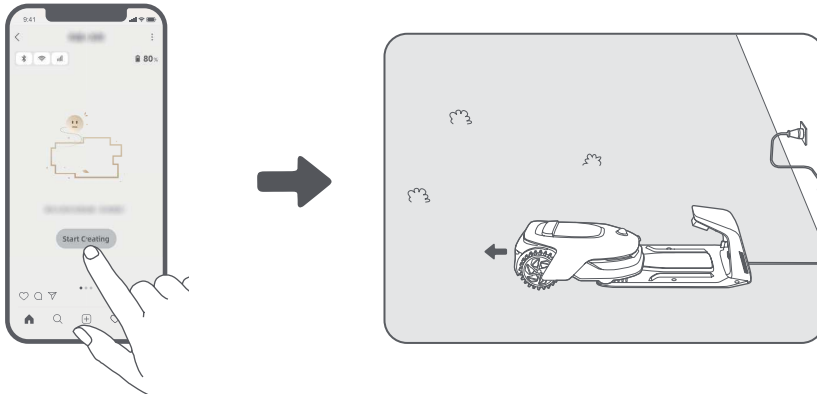


- A1 Pro correctly docks in the charging station.

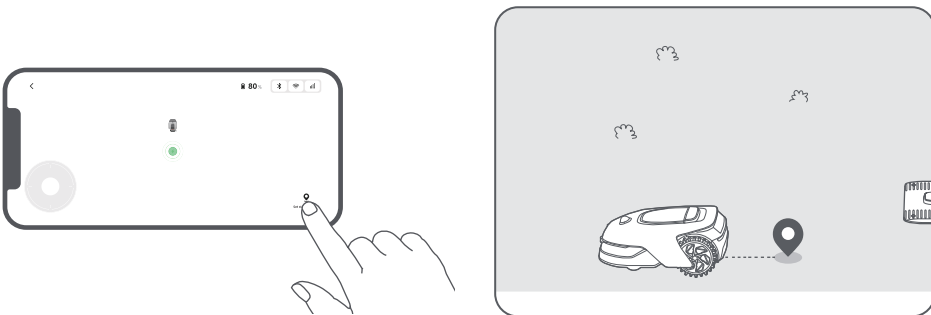


6.1 Create the boundary

1 Tap "**Start Creating**" via the app, and A1 Pro will check its status and calibrate. It will automatically leave the charging station to do the calibration. Please be careful.



2 Remote control A1 Pro to the edge of your lawn and tap "**Set Starting Point**" to confirm the starting point of the boundary.

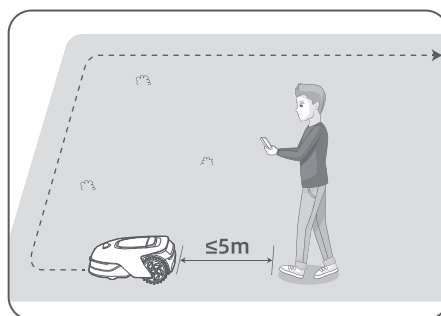


3 Remote control A1 Pro to move along the edge of your lawn to create the work area. When remotely controlling A1 Pro to create the boundary, please bear in mind:

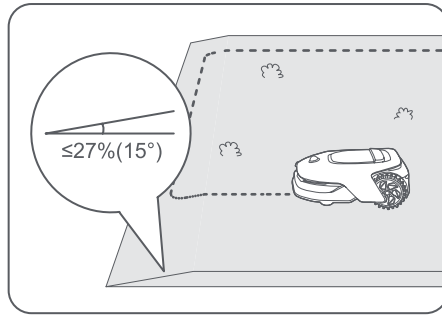
⚠ **Warning:** Do not manually move A1 Pro when creating the boundary, otherwise the mapping may fail.

⚠ **Warning:** When mapping begins via remote control, do not remotely dock A1 Pro in the charging station until the mapping is complete. Otherwise, the LiDAR may be blocked, which can cause the mapping to fail.

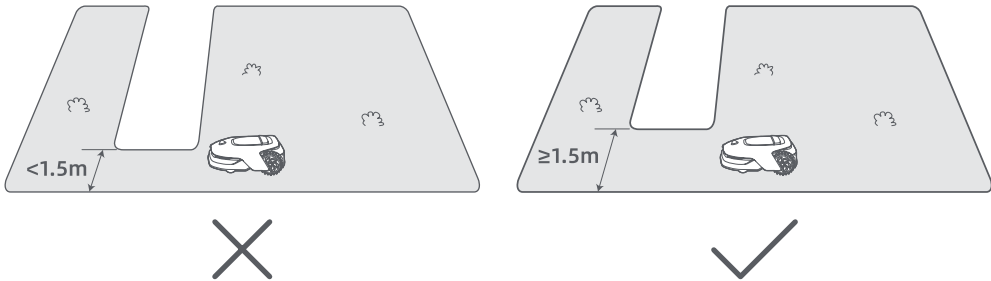
• Walk within **5 m** behind A1 Pro when remotely controlling it.



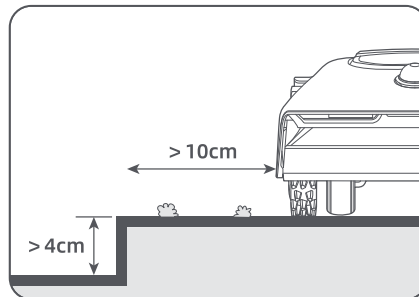
- Do not create the boundary on a slope that exceeds **27%**.



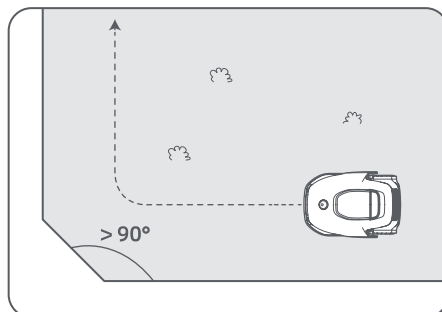
- Avoid creating boundaries inside corridors narrower than **1.5 m**.



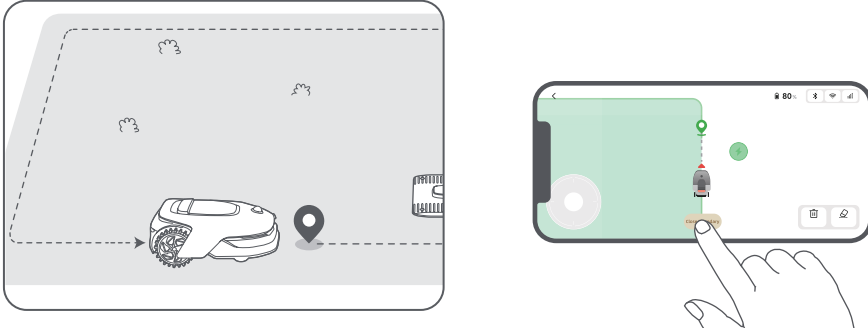
- If there is a height difference of more than **4 cm** between the edge of your lawn and the adjacent ground, please keep A1 Pro at least **10 cm** from the edge of your lawn.



- Make sure the turning angles are greater than **90°**.

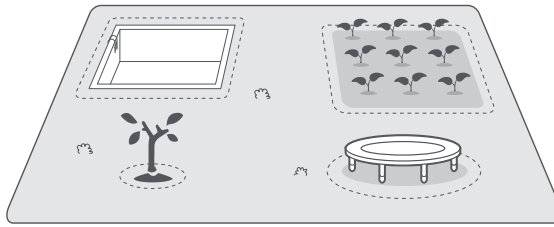


④ When A1 Pro returns to the place **1 m** near the starting point, you can tap **"Close Boundary"** and the boundary will automatically be completed.



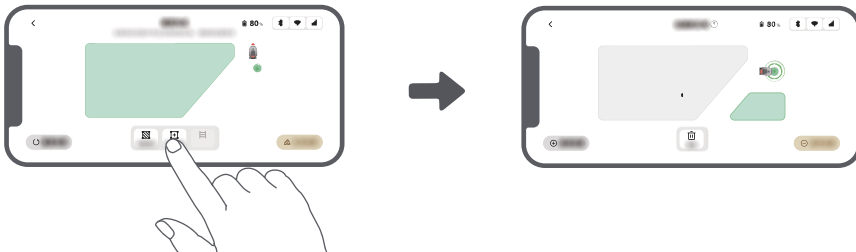
6.2 Set no-go zone

Though A1 Pro can automatically avoid obstacles, it is still necessary to set areas with a risk of falling, such as swimming pools and sandpits, as no-go zones. For objects you want to protect (such as a flowerbed, a trampoline, a vegetable patch or a naked tree root), please set them as no-go zones. You can remote control A1 Pro to create no-go zones via the app, or go to **"Map Editing"** to directly draw or delete no-go zones on the map.



6.3 Set multiple zones

If your lawn is separated by roads or you have several isolated lawns, you can tap **"Work zone"** in the app to continue creating work area via remote control. You can also add, delete or modify the zones in **"Map Editing"** when the map is finished.

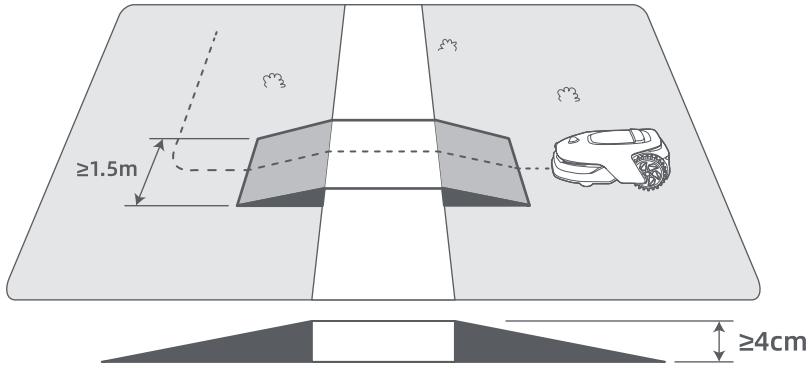


6.4 Set path

For isolated zones, please create a path to connect them. Isolated zones without a path will be inaccessible to A1 Pro.

Note: By default, A1 Pro only moves along the path without mowing the grass.

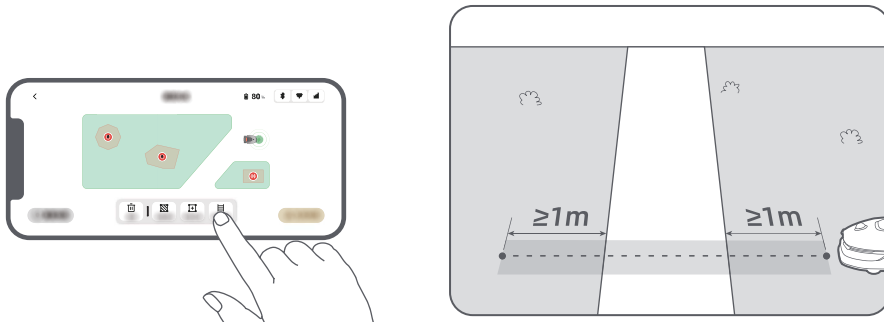
Note: If your lawn is divided by passages higher than **4 cm**, place an object with a slope equal in height to the passage (such as a ramp).



• To connect two isolated work zones

If there is overlap space between new area(s) and the original area, they will be automatically combined. For isolated areas, please create paths to connect them, otherwise they will be inaccessible to A1 Pro. Tap "Path" and remote control A1 Pro to create a path.

Note: Make sure the beginning and end of the path are in the work area. Keep at least **1 m** distance between the beginning/end of the path and the boundary.

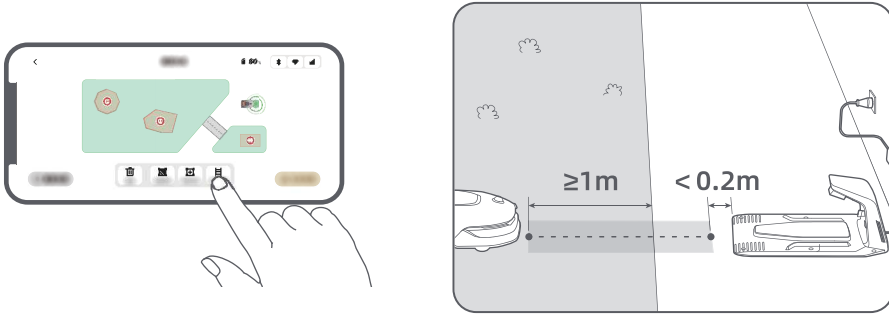


• To connect the work area and the charging station

If your charging station is not in the work area, a path should be created to connect it to the work area. Tap "Path", and remote control A1 Pro to create a path that allows it to return to the charging station.

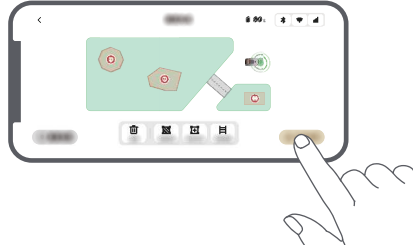
Note: When creating a path, ensure that one end overlaps with the work area by at least 1 metre (≥ 1 m), and the other end is less than 0.2 metres (< 0.2 m) in front of the charging station.

⚠ Warning: When creating paths to connect the work area and the charging station, do not remotely dock A1 Pro in the charging station. Otherwise, the LiDAR may be blocked, which can cause the mapping to fail.



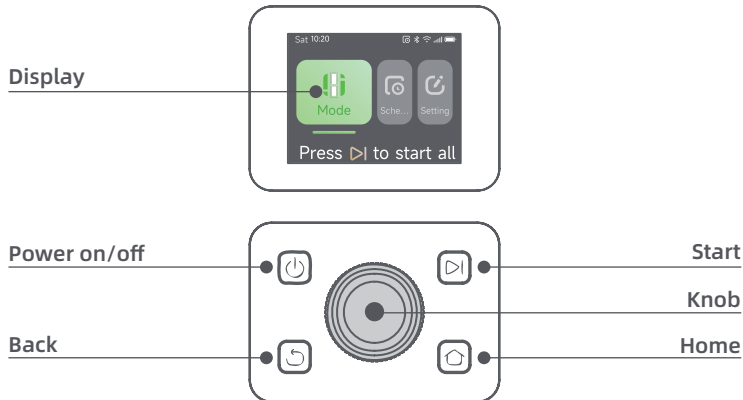
6.5 Finish map

Tap "Finish Map" when work areas, paths and no-go zones are completed. A1 Pro should be inside the map when the map is finished, otherwise you will be prompted to remote control it to move back inside the map.







7 Operation

7.1 Get familiar with the control panel



Icon	Status
	Battery level (Shows the current battery level.)
	Charging (A1 Pro successfully docks in the charging station.)
	Bluetooth (A1 Pro is connected to the app via Bluetooth.)
	Wi-Fi (A1 Pro is connected to the app via a Wi-Fi network.)
	Link service (Link service is activated.)
	Schedule (A task is scheduled for today and has not started yet.)

Button	Function
Power 	Ensure that A1 Pro is outside the charging station. Press and hold the Power button for 2 seconds to turn it on or off.
Start 	Press Start button and close the cover in 5 seconds to start mowing. The task will be cancelled if the cover is not closed in 5 seconds.
Home 	Press Home button and close the cover in 5 seconds to send A1 Pro back to the charging station to charge. The task will be cancelled if the cover is not closed in 5 seconds.
Back 	Press Back button to go back to the previous page.
Knob	Press the knob to confirm the selection in the menus.
	Press and hold the knob for 3 seconds to enable Bluetooth pairing mode on A1 Pro.
	Turn the knob clockwise/anticlockwise to navigate the menu.
Start + Back	Press and hold Start button and Back button together for 3 seconds to factory reset A1 Pro. The PIN code will not be erased.
Home + Back	Press and hold Home button and Back button together for 3 seconds to enter the About page in Settings. The About page will disappear in 5 seconds.
Knob + Back	Press and hold the knob and Back button together for 3 seconds to reset PIN code.
Stop	Press Stop button to open the cover of the control panel and stop A1 Pro. PIN code must be entered on the control panel to resume the operation of A1 Pro.

Overview of the display menu structure

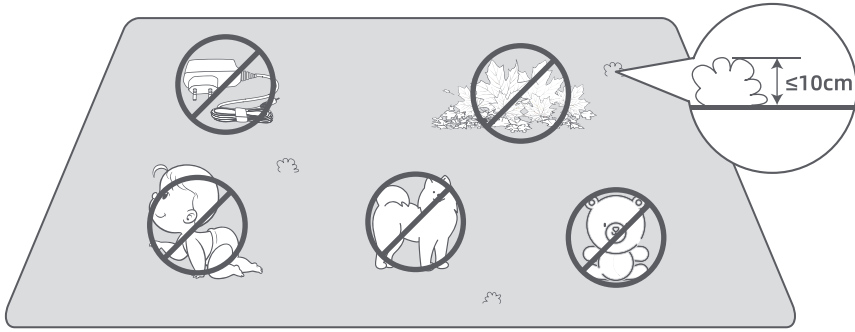


*It might be updated depending on the software version.

7.2 Start mowing for the first time

Tips before mowing:

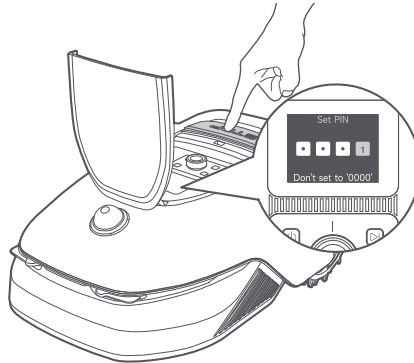
- Use a push mower to mow the grass to a height of no more than **10 cm**.
- Clear the obstacles including debris, leaf piles, toys, wires and stones from the lawn. Make sure no children or pets are on the lawn when A1 Pro is mowing.
- Fill in the holes in the lawn.
- Set your mowing preferences in the app in advance (such as mowing efficiency, mowing height and mowing direction).



Press **Start** button on the control panel and close the top cover in 5 seconds. A1 Pro will leave the charging station and start mowing. You can also tap "Start" in the app to start mowing.

• **Start via the control panel**

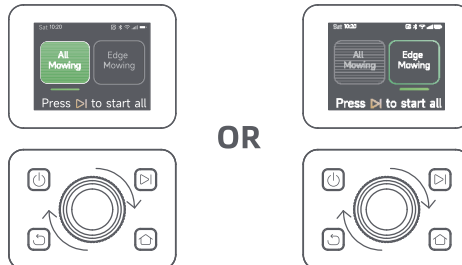
1. Press **Stop** button to open the cover and enter the PIN code.



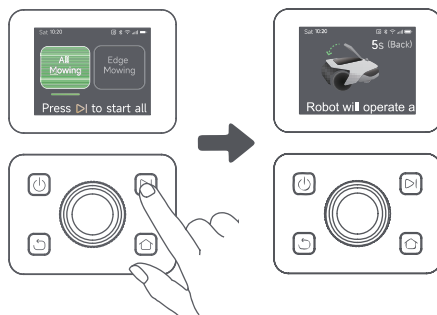
2. Select "**Modes**" on the display and press the knob.



3. Turn the knob to select the mowing mode.



4. Press Start button and close the top cover in 5 seconds. A1 Pro will start mowing.



• Start via the app

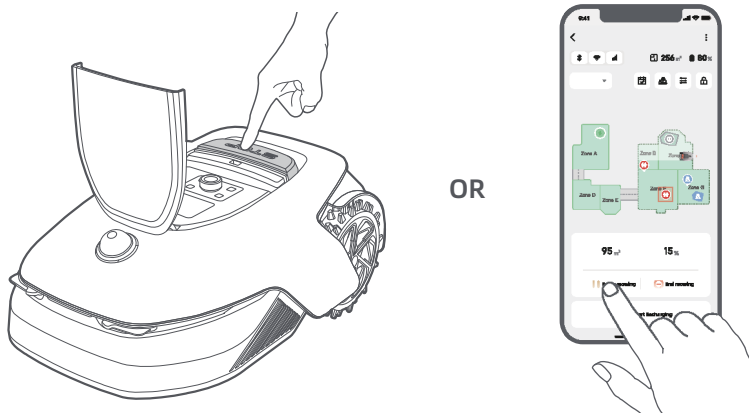
1. Open the app.
2. Select a mowing mode and tap **"Start"** to start mowing.



7.3 Pause

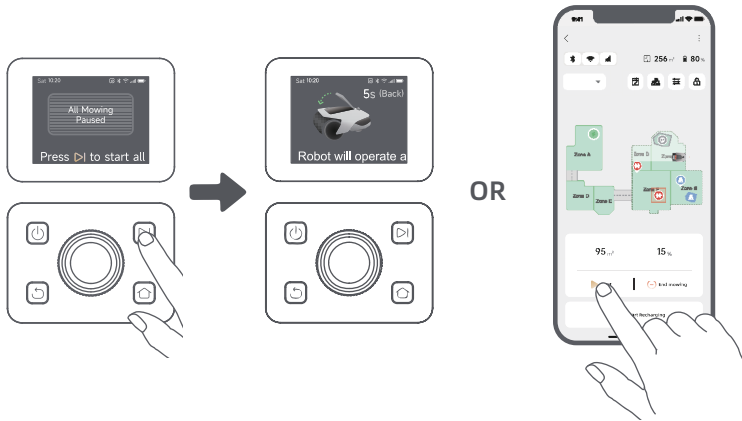
To pause the current mowing task, you can press the **Stop** button on A1 Pro or tap **"Pause"** in the app.

Note: A1 Pro will be locked and cannot be started directly through app after **Stop** button is pressed. To resume mowing, please enter your preset PIN code on the control panel first.



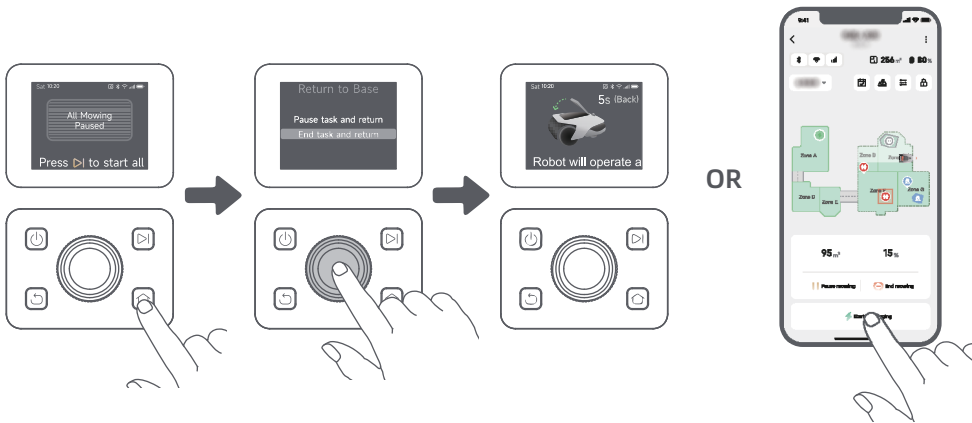
7.4 Resume

To resume the task when A1 Pro is paused, press **Start** button on A1 Pro and **close the cover** in 5 seconds. A1 Pro will resume the previous mowing task. You can also tap "**Continue**" in the app to resume the mowing task.



7.5 Return to the charging station

To stop the mowing task and send A1 Pro back to the charging station, confirm your PIN code on the control panel and then press **Home** button. Confirm to end the task and close the cover in 5 seconds. A1 Pro will automatically return to the charging station to charge. You can also tap "**Return to Station**" in the app to send A1 Pro back to the charging station.



8 Dreamehome App

Where you can explore more

Dreamehome App is more than a remote control. There are many things you can do through the app: completing various settings remotely, experiencing different mowing modes, editing the map freely and adjusting mowing schedules. Moreover, you can view the 3D map of your lawn directly in the app.

8.1 Mowing modes

A1 Pro offers various mowing modes. You can switch between modes through the app.



8.2 Schedule

After the first map is completed, A1 Pro automatically creates two weekly mowing schedules according to the lawn size, which are "**Spr/Sum Schedule**" and "**Aut /Win Schedule**". You can tap "**Schedule**" in the app to do detailed schedule settings. With the schedule function, you can completely leave the daily mowing work to A1 Pro. You only need to maintain A1 Pro regularly.

Note: If you worry that A1 Pro may disturb you or your neighbours when it works autonomously during certain hours, you can go to **Settings > Do Not Disturb** and set Do Not Disturb time in the app.



8.3 Child lock

If you worry that children may operate A1 Pro, you can enable "**Child Lock**" function in the app. With this function enabled, A1 Pro will be locked if no operations are performed for 5 minutes when the cover is open.



8.4 Rain protection

If you worry that adverse weather conditions may affect the mowing work, you can enable "**Rain Protection**" function in "**Settings**" on the control panel or in the app. When this function is enabled, A1 Pro automatically pauses mowing and returns to the charging station when it rains. You can set the rain protection time in the app.



8.5 Frost protection

When temperature is below **6 °C** , mowing operations will cause permanent damages to the lawn. Battery will not be able to charge due to self-protection. You can enable "**Frost Protection**" function in "**Settings**" on the control panel or in the app. The function enables A1 Pro to automatically pause mowing and return to the charging station when ambient temperature is $\leq 6\text{ °C}$. It will automatically resume working when temperature is above **11 °C** .



8.6 Lift alarm

With this function enabled, A1 Pro will be locked and alarm will go off immediately if it is lifted.



8.7 Off-map alarm

With this function enabled, A1 Pro will be locked and alarm will go off immediately if it is away from the map. **(This function requires installation of Link Module.)**



8.8 Real-time location

With **Link Module**, you can view the current location of A1 Pro in Google Maps.



Note: Dreame development team will continuously conduct **OTA (Over-the-Air)** updates and maintenance on the firmware and app. Please check for update notifications or enable the **Auto-update function** to keep the firmware and app up-to-date and enjoy more features.

9 Maintenance

For better performance and lifespan of A1 Pro, please clean it regularly and replace worn parts according to the frequency below:

Part	Replacement Frequency
Blades	Every 6-8 weeks or sooner
Cleaning brush	Every 12 months or sooner

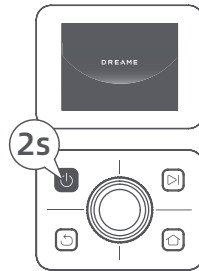
9.1 Cleaning

⚠ Warning: Before cleaning, please turn off A1 Pro and unplug the charging station.

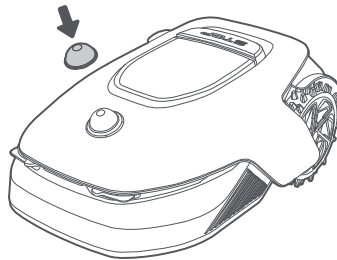
⚠ Warning: Please make sure LiDAR protective cover is on the LiDAR before turning A1 Pro upside down to avoid damages to the LiDAR.

• The housing, chassis and blade disc:

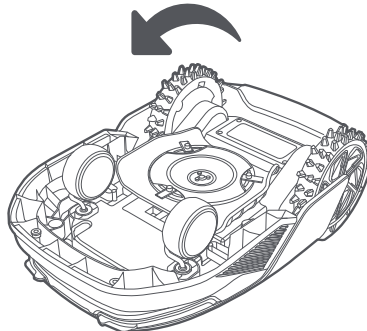
1. Turn A1 Pro off.



2. Put the LiDAR protective cover on the LiDAR.



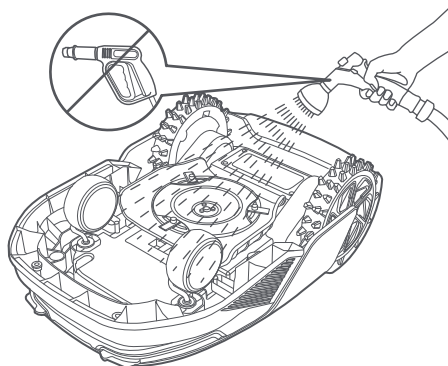
3. Turn A1 Pro upside down.



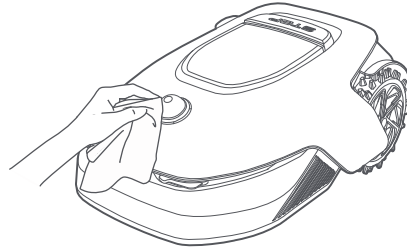
4. Clean the housing, blade disc and chassis with a hose.

⚠ Warning: Do not touch the blades when cleaning the chassis. Please wear gloves when cleaning.

⚠ Warning: Please do not use a high-pressure washer for cleaning. Do not use detergents for cleaning.

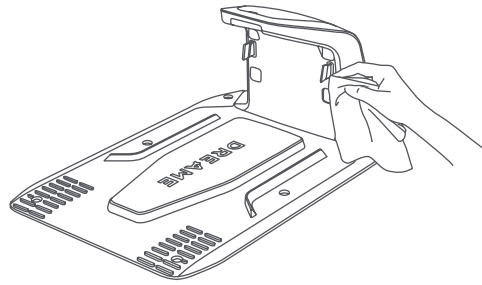
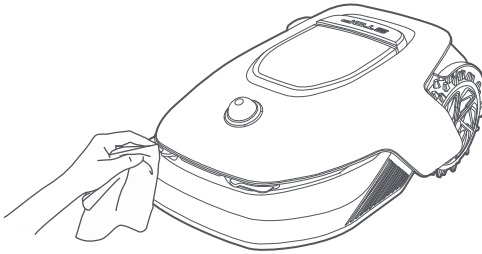


5. Use a lint-free cloth to carefully clean the LiDAR sensor.



• **Charging contacts:**

Use a clean cloth to clean the charging contacts on A1 Pro and the charging station. Keep the charging contacts dry after cleaning.



9.2 Replacement of the components

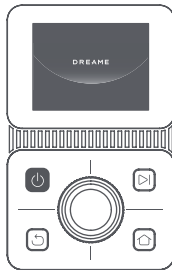
• **Replacement of the blades**

To keep the blades sharp, please replace the blades regularly. It is recommended to replace the blades every **6-8 weeks** or sooner. Please only use Dreame original blades.

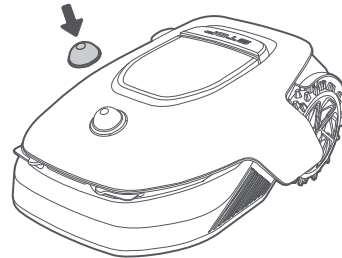
⚠ Warning: Please turn off A1 Pro and wear protective gloves before replacing the blades.

Note: Please replace all three blades at the same time to ensure a balanced cutting system.

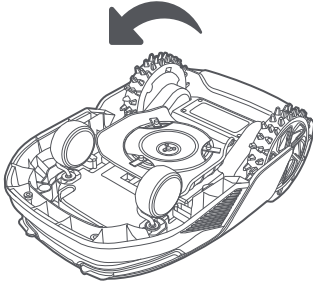
1. Turn off A1 Pro.



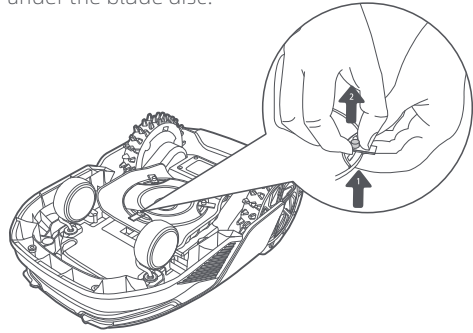
2. Make sure the LiDAR protective cover is on.



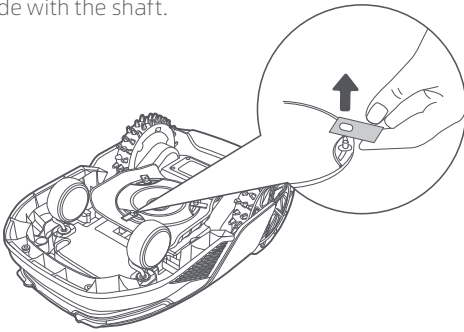
3. Put A1 Pro on a soft surface and turn it upside down.



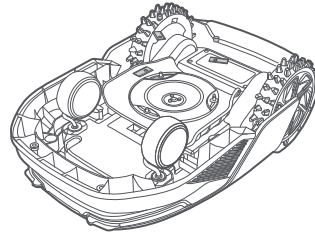
4. Remove the holder by pressing the button under the blade disc.



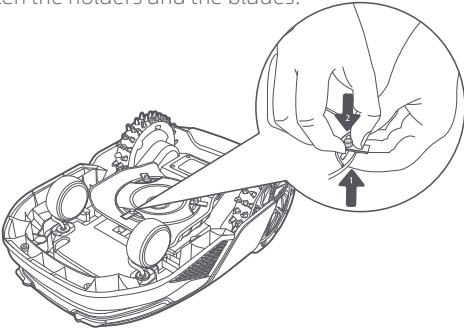
5. Remove the blade by aligning the hole of the blade with the shaft.



6. Remove 3 blades and holders.



7. Press the button under the blade disc and align the hole of the holder with the shaft to fasten the holders and the blades.

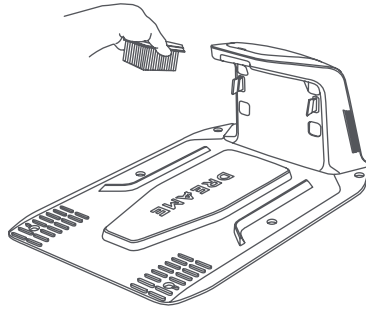


8. Make sure the blades can rotate freely.

• Replacement of the cleaning brush

When the cleaning brush for the LiDAR sensor wears out, its bristles may fray or deteriorate, affecting its cleaning performance. Please replace the cleaning brush regularly to keep a good cleaning result. It is recommended to replace the cleaning brush every **12 months** or sooner.

Note: Before replacing the cleaning brush, please make sure to unplug the charging station.



10 Battery

For long-term storage, charge A1 Pro every **6 months** to protect the battery. Battery damage caused by over-discharge is not covered by the limited warranty. Do not charge the battery at an ambient temperature above **45° C (113° F)** or below **6° C (43° F)**. The long-term storage temperature for the battery should be between **-10 and 35° C (14 and 95° F)**. To minimize the damage, the recommended storage temperature for the battery is between **0 and 25° C (32 and 77° F)**.

Note: The lifespan of A1 Pro's battery depends on frequency of usage and hours of operation. If the battery is damaged or cannot be charged, do not dispose of the obsolete or faulty battery arbitrarily. Please obey local recycling regulations.

Low-power charging mode:

With low-power charging mode on, functions not related to charging will be disabled. (Display and network will be turned off.)

- To enable low-power charging mode, press and hold **Start** button and **Home** button together, and press **Back** button 5 times quickly at the same time. You will hear a voice prompt: Low-power charging mode is on.
- To disable low-power charging mode, restart A1 Pro or press **Power** button 5 times quickly to turn off low-power charging mode.

11 Winter Storage

• A1 Pro

1. **Charge the battery fully and turn A1 Pro off.**
2. Clean A1 Pro thoroughly before putting it into storage in winter.
3. Put on the LiDAR protective cover.
4. Store A1 Pro inside in a dry place, at a temperature above 0° C.

• Charging station

Unplug the charging station and store it in a dry and cool place, away from direct sunlight.

Note: If you have not used A1 Pro for a long time, please remap your garden as significant changes to the garden environment may cause positioning errors.

12 Transport

For long distance transport, ensure that A1 Pro is turned off. It is recommended to use the original packaging. Put on the LiDAR protective cover.

⚠ Warning: Please turn A1 Pro off before transporting it.

⚠ Warning: Lift the product by the rear with the blade disc away from your body.

13 Troubleshooting

Issue	Cause	Solution
A1 Pro is not connected to the app.	<ol style="list-style-type: none"> 1. A1 Pro is not within Wi-Fi signal coverage or Bluetooth range. 2. A1 Pro is turned off or is restarting. 	<ol style="list-style-type: none"> 1. Check if A1 Pro has completed the process of turning on. 2. Check if the router is working properly. 3. Move closer to A1 Pro to establish a Bluetooth connection.
A1 Pro lifted.	The wheel is not on the ground.	<ol style="list-style-type: none"> 1. Put A1 Pro back on flat ground. 2. Enter the PIN code on A1 Pro and confirm. 3. A1 Pro can't cross objects higher than 4 cm. Please keep the ground even where it is working.
A1 Pro tilted.	A1 Pro tilts more than 37° .	<ol style="list-style-type: none"> 1. Put A1 Pro back on flat ground. 2. Enter the PIN code on A1 Pro to confirm. 3. A1 Pro cannot climb slopes greater than 45% (24°).
A1 Pro trapped.	A1 Pro is trapped and fails to get out.	<ol style="list-style-type: none"> 1. Remove the surrounding obstacles and then retry. 2. Manually move A1 Pro to a flat and open place inside the map and try starting the task again. If you continue to encounter this problem, please retry after A1 Pro is in the charging station. 3. Check if there are holes in the ground. Fill in the holes before mowing to prevent A1 Pro from being trapped. 4. Check if the surrounding grass is taller than 10 cm. You can adjust the obstacle avoidance height or use a push mower to mow the lawn in advance to prevent A1 Pro from being trapped. 5. If A1 Pro is often trapped in this location, you can set it as a no-go zone.
Left/right rear wheel error	The wheel cannot rotate or the wheel motor has a problem.	<ol style="list-style-type: none"> 1. Clean the rear wheels and then retry. 2. If you continue to encounter this error, try restarting A1 Pro. 3. If the problem persists, please contact the after-sales service.
Blade disc can't rotate.	The blade disc cannot rotate normally or the cutting motor has a problem.	<ol style="list-style-type: none"> 1. Clean the blade disc and then retry. 2. Check if the surrounding grass is taller than 10 cm. You can use a push mower to mow the lawn in advance to prevent the blade disc from being blocked by tall grass. 3. Check if there is water under the blade disc. If there is any, move A1 Pro to a dry place and then retry. 4. If you continue to encounter this error, try restarting A1 Pro. 5. If the problem persists, please contact the after-sales service.
Bumper error.	The front bumper sensor is constantly triggered.	<ol style="list-style-type: none"> 1. Check if A1 Pro is trapped somewhere. 2. Gently tap the bumper and make sure it bounces back. 3. If you continue to encounter this error, try restarting A1 Pro.

Issue	Cause	Solution
		4. If the problem persists, please contact the after-sales service.
Charging error.	A1 Pro docks in the charging station, but the charging current or voltage has a problem.	<ol style="list-style-type: none"> 1. Check if the charging station is correctly connected to power. 2. Check if the charging contacts on A1 Pro and the charging station are clean. 3. After checking is finished, try docking A1 Pro in the charging station again. 4. If the problem persists, please contact the after-sales service.
Battery temperature too high.	Battery temperature is $\geq 60^{\circ}\text{C}$.	<ol style="list-style-type: none"> 1. Use A1 Pro where ambient temperature is below 40°C. You can wait until the battery temperature decreases automatically. 2. You can turn off A1 Pro and restart it after a while. 3. If the problem persists, please contact the after-sales service.
LiDAR is blocked.	LiDAR is blocked (for example the LiDAR protective cover is not removed).	<ol style="list-style-type: none"> 1. Remove the lidar protective cover and then retry. 2. If lidar on the top of the robot is very dirty, clean it with a lint-free cloth and then retry.
LiDAR malfunction.	LiDAR is very dirty or there is a sensor error.	<ol style="list-style-type: none"> 1. Check if the lidar is dirty. Clean it if necessary and then try again. 2. If you continue to encounter this error, try restarting the robot. 3. If the problem persists, please contact the after-sales service.
A1 Pro is lost.	Positioning is lost.	<ol style="list-style-type: none"> 1. Check if the LiDAR on the top of A1 Pro is dirty. Dirt will affect the positioning. 2. Manually move A1 Pro to an open place inside the map and try starting the task again. 3. If the positioning is not recovered, remote control A1 Pro back to the charging station via the app, and then start the mowing task.
Sensor error.	Sensor error.	<ol style="list-style-type: none"> 1. Restart A1 Pro and retry. 2. If the problem persists, please contact the after-sales service.
A1 Pro is in the no-go zone.	A1 Pro is in the no-go zone.	<ol style="list-style-type: none"> 1. Manually move the robot out of the no-go zone and then retry. 2. Remotely control the robot through the app to move it out of the no-go zone, and then retry.
A1 Pro is outside the map.	A1 Pro is outside the map.	<ol style="list-style-type: none"> 1. Manually move the robot inside the map, and then retry. 2. Remote control the robot back inside the map via the app, and then retry.
Emergency stop is activated.	The Stop button on A1 Pro is pressed.	Enter PIN code on A1 Pro to deactivate the emergency stop.

Issue	Cause	Solution
Low battery. A1 Pro will shut down soon.	Battery level is $\leq 10\%$.	Dock A1 Pro in the charging station to charge.
A1 Pro is away from the map. Risk of being stolen.	A1 Pro is away from the map.	<ol style="list-style-type: none"> 1. Enter PIN code to verify. 2. You can disable the Off-Map Alarm in settings in the app.
Failed to return to the charging station.	A1 Pro cannot find the charging station when returning to the charging station.	<ol style="list-style-type: none"> 1. Check if there are obstacles blocking A1 Pro. Remove the obstacles and retry. 2. Remote control A1 Pro back to the charging station via the app.
Failed to dock in the charging station.	A1 Pro finds the charging station but fails to dock.	<ol style="list-style-type: none"> 1. Check if the reflective films on the charging station are dirty or blocked. 2. Check if there are obstacles in front of the charging station. 3. Check if the charging station is moved. 4. Check if the baseplate is covered with thick mud. 5. Check if the charging station has power. 6. Help the robot dock in the charging station by using the remote control or manually.
Positioning failed.	Positioning fails when A1 Pro tries to start a mowing task.	<ol style="list-style-type: none"> 1. The lidar may be obstructed. Manually move the robot to a flat and open place inside the map and try starting the task again. 2. If you continue to encounter this error, please retry after the robot is docked in the charging station.
Battery temperature is high.	Battery temperature is $\geq 45^{\circ}\text{C}$.	<ol style="list-style-type: none"> 1. Charging may fail when battery temperature is above 45°C. 2. Use A1 Pro where ambient temperature is below 40°C.
Battery temperature is low.	Battery temperature is $\leq 6^{\circ}\text{C}$.	<ol style="list-style-type: none"> 1. Charging may fail when battery temperature is below 6°C. 2. Use A1 Pro where ambient temperature is above 6°C.
The blade disc fails to move up or down.	The blade disc fails to move up or down.	<ol style="list-style-type: none"> 1. Clean the blade disc and then retry. 2. If you continue to encounter this error, try restarting the robot. 3. If the problem persists, please contact the after-sales service.
Insufficient space for turning in front of the station.	Insufficient space for turning in front of the station.	<ol style="list-style-type: none"> 1. If the station is placed at the edge of the map or within it, ensure there is at least 1 m of free space between the front area of the station's baseplate and the boundary of the map; otherwise, the robot may not be able to make turns. 2. Relocate the station, or change the map in Map Editing.

14 Specifications

Basic information	Product name	Dreame Roboticmower
	Brand	Dreame
	Dimensions	643 × 436.5 × 261 mm (25.3 × 17.2 × 10.2 in)
	Weight (battery included)	12.6 kg (27.7 lbs)
Mowing	Recommended working capacity	2000 m ² (0.5 acres)
	Mowing efficiency	Standard: 120 m ² (0.03 acres)/h Efficient: 200 m ² (0.05 acres)/h
	Mowing height	30~70 mm (1.2~2.8 in)
	Mowing width	22 cm (8.7 in)
	Charging time ^[1]	65 min
Noise emissions	Sound power level LWA	64 dB(A)
	Sound power uncertainties KWA	3 dB(A)
	Sound pressure level LpA	56 dB(A)
	Sound pressure uncertainties KpA	3 dB(A)
Working condition	Operating temperature	0~50° C (32~122° F) Recommended: 10~35° C (50~95° F)
	Long-term storage temperature	-10~35° C (14~95° F) Recommended: 0~25° C (32~77° F)
	IP-classification	Mower: IPX6 Charging station: IPX4 Power supply: IP67
	Maximum slope for mowing area	45% (24°)

Connectivity	Bluetooth frequency range	2400.0-2483.5 MHz
	Wi-Fi	Wi-Fi 2.4 GHz (2400-2483.5M)
	Max. RF power	802.11b:16±2dBm(@11Mbps) 802.11g:14±2dBm(@54Mbps) 802.11n:13±2dBm(@HT20,HT40) Bluetooth: 7.49dBm
	Link service (optional) ^[2]	LTE-FDD: B1/3/7/8/20/28A LTE-TDD: B38/40/41
	GNSS (optional) ^[3]	GPS/GLONASS/BDS/Galileo/QZSS
Cutting motor	Speed	2200/min
Driving motor	Driving speed under remote control	0.45 m/s
	Driving speed when mowing	Standard: 0.35 m/s Efficient: 0.6 m/s
Battery (mower)	Battery type	Lithium-ion battery
	Rated capacity	5000 mAh
	Rated voltage	18 V
Power supply	Input voltage	100~240 V
	Output voltage	20 V
	Output current	3 A
Charging station	Input voltage	20 V
	Output voltage	20 V
	Input current	3 A
	Output current	3 A

[1] Charging time applies when A1 Pro automatically returns to the charging station at low battery.

[2] Requires the installation of Link module.

[3] Requires the installation of Link module.

Note: The specifications are subject to change as we continually improve our product. For the latest information, please visit our website at global.dreametech.com.

Übersetzung der Originalbetriebsanleitung

Inhaltsverzeichnis

1 Sicherheitshinweise	P41
2 Lieferumfang	P45
3 Produktübersicht	P46
4 Installation	P47
5 Vorbereitung vor der Inbetriebnahme	P49
6 Karte Ihres Gartens erstellen	P52
7 Bedienung	P58
8 Dreamehome App	P63
9 Wartung	P65
10 Akku	P69
11 Einlagerung in der Winterzeit	P69
12 Transport	P69
13 Fehlersuche und -behebung	P70
14 Technische Daten	P74

1 Sicherheitshinweise

1.1 Allgemeine Sicherheitshinweise

- Lesen Sie die Originalbetriebsanleitung sorgfältig durch, bevor Sie das Produkt verwenden.
 - Verwenden Sie mit dem Produkt nur die von Dreame empfohlene Zubehörteile. Andere Verwendungen sind nicht zulässig.
 - Lassen Sie niemals Kinder, Personen mit eingeschränkten körperlichen, sensorischen oder geistigen Fähigkeiten oder mangelnder Erfahrung und Kenntnissen sowie Personen, die mit diesen Anweisungen nicht vertraut sind, das Gerät benutzen.
 - Kinder dürfen sich nicht in der Nähe des Geräts aufhalten oder mit diesem spielen, wenn es in Betrieb ist.
 - Verwenden Sie das Gerät nicht in Bereichen, wo sich Personen der Anwesenheit des Geräts nicht bewusst sind.
 - Laufen Sie nicht schnell, wenn Sie das Gerät manuell mit der Dreamehome App bedienen. Gehen Sie immer zu Fuß, achten Sie auf Ihre Schritte an Steigungen, und achten Sie stets auf das Gleichgewicht.
 - Verwenden Sie das Gerät nicht, wenn sich Personen, insbesondere Kinder oder Tiere, im Arbeitsbereich aufhalten.
 - Wenn Sie das Gerät in öffentlichen Bereichen einsetzen, stellen Sie Warnschilder mit folgendem Text um den Arbeitsbereich auf: „Warnung! Automatischer Rasenmäher! Abstand zum Gerät halten! Kinder beaufsichtigen!“
 - Tragen Sie bei der Bedienung des Geräts festes Schuhwerk und lange Hosen.
 - Legen Sie Arbeitsbereiche oder Fahrwege nicht über öffentliche Verkehrs- oder Gehwege, um Schäden am Gerät und Unfälle mit Fahrzeugen und Personen zu vermeiden.
 - Berühren Sie bewegliche, gefährliche Teile, wie z. B. den Schneidkopf, nicht, bevor er zum Stillstand gekommen ist.
 - Bei Verletzungen oder Unfällen ärztliche Hilfe aufsuchen.
 - Schalten Sie das Gerät AUS, bevor Sie Blockaden beseitigen, Wartungsarbeiten durchführen oder das Gerät überprüfen. Wenn das Gerät ungewöhnlich vibriert, prüfen Sie es auf Schäden, bevor Sie es wieder in Betrieb nehmen. Verwenden Sie das Gerät nicht, wenn Komponenten defekt sind.
 - Schließen Sie ein beschädigtes Kabel nicht an und berühren Sie es nicht, bevor Sie es nicht aus der Steckdose gezogen haben. Wenn das Kabel während des Betriebs beschädigt wird, ziehen Sie den Netzstecker aus der Steckdose. Ein abgenutztes oder beschädigtes Kabel erhöht die Gefahr eines Stromschlags und sollte von Fachpersonal ausgetauscht werden.
 - Verlegen Sie das Hauptkabel nicht an Stellen, an denen sich das Gerät mähen könnte. Befolgen Sie die Anweisungen für die Kabelinstallation.
 - Laden Sie das Gerät nur mit der im Lieferumfang enthaltenen Ladestation auf. Bei unsachgemäßer Verwendung besteht die Gefahr eines Stromschlags, einer Überhitzung oder des Austretens von ätzender Flüssigkeit aus dem Akku. Im Falle des Austretens von Elektrolyt spülen Sie die betroffene Stelle mit Wasser/Neutralisierungsmittel aus und suchen Sie einen Arzt auf, wenn die ätzende Flüssigkeit in Ihre Augen gelangt ist.
 - Beim Anschluss des Hauptkabels an die Steckdose ist ein Fehlerstromschutzschalter (RCD) mit einem maximalen Auslösestrom von 30 mA zu verwenden.
 - Benutzen Sie nur von Dreame empfohlene Original-Akkus. Die Gerätesicherheit kann mit nicht originalen Akkus nicht gewährleistet werden. Verwenden Sie keine nicht wiederaufladbaren Batterien.
 - Halten Sie Verlängerungskabel von beweglichen, gefährlichen Teilen fern, um Beschädigungen an den Kabeln zu vermeiden, die zum Kontakt mit stromführenden Elementen führen können.
- ! Die Abbildungen in dieser Anleitung dienen nur als Referenz. Bitte beziehen Sie sich auf die tatsächlichen Produkte.
- Schieben Sie das Gerät nicht mit Gewalt oder zu schnell, da dies das Gerät beschädigen kann.
 - Um die Einhaltung der Anforderungen an die RF-Exposition zu gewährleisten, sollte ein Abstand von 35 cm zwischen dem Gerät und dem Menschen eingehalten werden.
 - Benutzen Sie zum Aufladen des Akkus nur das mit diesem Gerät mitgelieferte abnehmbare Netzteil.

1.2 Sicherheitshinweise für die Installation

- Installieren Sie die Ladestation nicht in Bereichen, in denen Personen darauf stoßen könnten.
- Installieren Sie die Ladestation nicht in Bereichen, in denen die Gefahr von stehendem Wasser besteht.
- Installieren Sie die Ladestation (einschließlich des Zubehörs) nicht in einem Umkreis von 60 cm von brennbarem Material. Eine Fehlfunktion oder Überhitzung der Ladestation und des Netzteils kann eine Brandgefahr darstellen.
- Für Benutzer in den USA/Kanada: Bei der Installation des Netzteils im Freien besteht die Gefahr eines Stromschlags. Installieren Sie es nur in einer abgedeckten GFCI-Steckdose (RCD) der Klasse A mit wetterfestem Gehäuse und achten Sie darauf, dass die Verschlusskappe des Befestigungssteckers eingesteckt oder entfernt wird.

1.3 Sicherheitshinweise für den Betrieb

- Halten Sie Ihre Hände und Füße von den rotierenden Schneidmessern fern. Halten Sie Ihre Hände und Füße nicht in die Nähe oder unter das Gerät, wenn es eingeschaltet ist.
- Heben oder bewegen Sie das Gerät nicht, wenn es eingeschaltet ist.
- Aktivieren Sie den Parkmodus oder schalten Sie das Gerät **AUS**, wenn sich Personen, insbesondere Kinder oder Tiere, im Arbeitsbereich aufhalten.
- Achten Sie darauf, dass sich keine Gegenstände wie z. B. Steine, Äste, Gartenwerkzeuge oder Spielzeug auf dem Rasen befinden. Andernfalls können die Schneidmesser beschädigt werden, wenn sie mit einem Gegenstand in Berührung kommen.
- Legen Sie keine Gegenstände auf das Gerät oder die Ladestation.
- Betreiben Sie das Gerät nicht, wenn die **STOPP**-Taste nicht funktioniert.
- Verhindern Sie Zusammenstöße zwischen dem Gerät und Menschen oder Tieren. Wenn eine Person oder ein Tier in den Laufweg des Geräts gerät, halten Sie es sofort an.
- Schalten Sie das Gerät immer **AUS**, wenn es nicht in Betrieb ist.
- Verwenden Sie das Gerät nicht gleichzeitig mit einem Versenkregner. Verwenden Sie die Zeitplanfunktion, um sicherzustellen, dass das Produkt und der Versenkregner nicht gleichzeitig in Betrieb sind.
- Platzieren Sie den Verbindungskanal nicht dort, wo Versenkregner installiert sind.
- Betreiben Sie das Gerät nicht bei stehendem Wasser im Arbeitsbereich, wie z. B. bei starkem Regen oder Wasseransammlungen.

1.4 Sicherheitshinweise für die Wartung

- Schalten Sie das Gerät bei Wartungsarbeiten **AUS**.
- Ziehen Sie den Stecker aus der Ladestation oder entfernen Sie die Sperrvorrichtung, bevor Sie die Ladestation reinigen oder Wartungsarbeiten daran durchführen.
- Verwenden Sie zum Reinigen des Geräts weder einen Hochdruckreiniger noch Lösungsmittel.
- Stellen Sie sicher, dass das Gerät nach dem Waschen in seiner normalen Ausrichtung auf den Boden gestellt wird und nicht verkehrt herum.
- Drehen Sie das Gerät nicht um, um das Gehäuse zu reinigen. Wenn Sie es zu Reinigungszwecken umdrehen, achten Sie darauf, dass Sie es anschließend wieder in die richtige Ausrichtung bringen. Diese Vorsichtsmaßnahme ist notwendig, um zu verhindern, dass Wasser in den Motor eindringt und den normalen Betrieb beeinträchtigt.

1.5 Sicherheit des Akkus

Lithium-Ionen-Akkus können bei Zerlegung, Kurzschluss, Einwirkung von Wasser, Feuer oder hohen Temperaturen explodieren oder einen Brand verursachen. Behandeln Sie sie mit Vorsicht, zerlegen oder öffnen Sie den Akku nicht, und vermeiden Sie jede Form von elektrischer/mechanischer Fehlbedienung. Bewahren Sie den Akku vor direktem Sonnenlicht geschützt auf.






1. Verwenden Sie nur das vom Hersteller mitgelieferte Akku-Ladegerät und -Netzteil. Die Verwendung eines ungeeigneten Ladegeräts bzw. einer ungeeigneten Stromversorgung kann zu Stromschlag und / oder Überhitzung führen.
2. VERSUCHEN SIE NICHT, AKKUS ZU REPARIEREN ODER ZU MODIFIZIEREN! Reparaturversuche können zu schweren Verletzungen aufgrund von Explosionen oder Stromschlag führen. Die bei einem Leck austretenden Elektrolyte sind ätzend und giftig.
3. Dieses Gerät enthält Akkus, die nur von Fachpersonal ausgetauscht werden können.

1.6 Restrisiken

Tragen Sie beim Auswechseln der Schneidmesser stets Schutzhandschuhe, um Verletzungen zu vermeiden.

1.7 Symbols and Decals

	<p>WARNUNG - Lesen Sie die Bedienungsanleitung, bevor Sie das Gerät in Betrieb nehmen.</p>
	<p>WARNUNG - Halten Sie während des Betriebs einen sicheren Abstand zum Gerät ein.</p>
	<p>WARNUNG - Vor Arbeiten am Gerät oder dem Anheben des Geräts muss die Sperrvorrichtung betätigt werden.</p>
	<p>WARNUNG - Nicht auf dem Gerät mitfahren.</p>
	<p>WARNUNG - Dieses Produkt darf nicht über den normalen Hausmüll entsorgt werden. Sorgen Sie dafür, dass das Produkt in Übereinstimmung mit den örtlichen gesetzlichen Vorschriften recycelt wird.</p>

	Dieses Produkt entspricht den geltenden EU-Richtlinien.
	Klasse III
	Lesen Sie die Anleitung, bevor Sie das Gerät aufladen.
	Gleichstrom
	Klasse II

GEEIGNETE VERWENDUNG

Das Gartenprodukt ist für den Einsatz im häuslichen Bereich zur Rasenpflege bestimmt. Es ist so konzipiert, dass es häufig mäht und einen gesünderen und schöneren Rasen als je zuvor erhält. Je nach Größe Ihres Rasens kann Ihr Mäher so programmiert werden, dass er jederzeit oder in beliebiger Häufigkeit arbeitet. Es ist nicht für das Graben, Fegen oder Schneeräumen geeignet.



1. Entsorgung von Elektro- und Elektronikgeräten

Die durchgestrichene Mülltonne bedeutet, dass Sie gesetzlich verpflichtet sind, diese Geräte einer vom unsortierten Siedlungsabfall getrennten Erfassung zuzuführen. Die Entsorgung über die Restmülltonne oder die gelbe Tonne ist untersagt. Enthalten die Produkte Batterien oder Akkus, die nicht fest verbaut sind, müssen diese vor der Entsorgung entnommen und getrennt als Batterie entsorgt werden.

2. Möglichkeiten der Rückgabe von Altgeräten (EAR)

Besitzer von Altgeräten können diese im Rahmen der durch öffentlich-rechtlichen Entsorgungsträger eingerichteten und zur Verfügung stehenden Möglichkeiten der Rückgabe oder Sammlung von Altgeräten abgeben, damit eine ordnungsgemäße Entsorgung der Altgeräte sichergestellt ist.

3. Datenschutz

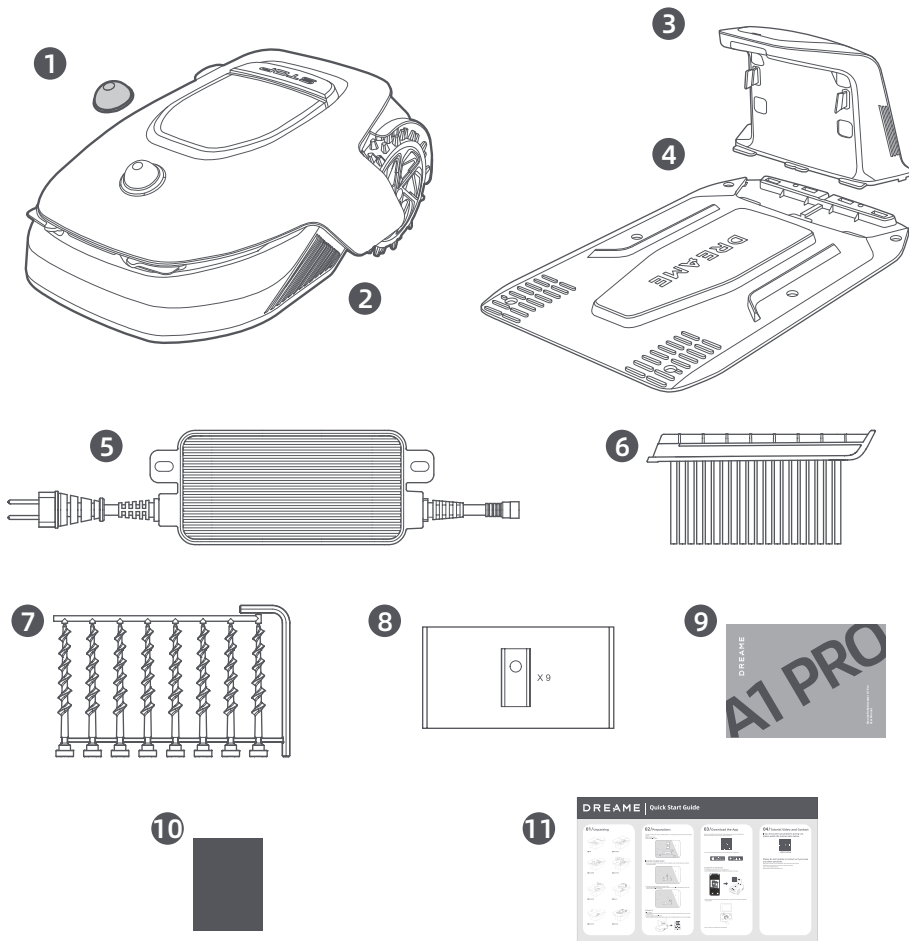
Wir weisen alle Endnutzer von Elektro- und Elektronikaltgeräten darauf hin, dass Sie für das Löschen personenbezogener Daten auf den zu entsorgenden Altgeräten selbst verantwortlich sind.

EU-Konformitätserklärung

Die Dreame Trading (Tianjin) Co., Ltd. erklärt hiermit, dass das Gerät Robotic Lawnmower MLLA7110 mit den wesentlichen Anforderungen und den entsprechenden Bestimmungen der Richtlinien RED 2014/53/EU übereinstimmt. Der vollständige Text der EU-Konformitätserklärung ist unter der folgenden Internetadresse verfügbar: <https://global.dreametech.com>

Das ausführliche elektronische Handbuch finden Sie unter <https://dreametech.zendesk.com/hc/en-us/categories/7968864195993>-User-Manual.

2 Lieferumfang



1 Schutzabdeckung des Lidar

2 A1 Pro

3 Ladesäule
(mit einem 10m Verlängerungskabel)

4 Basisplatte

5 Netzteil

6 Reinigungsbürste

7 Schrauben × 8, Sechskantschlüssel

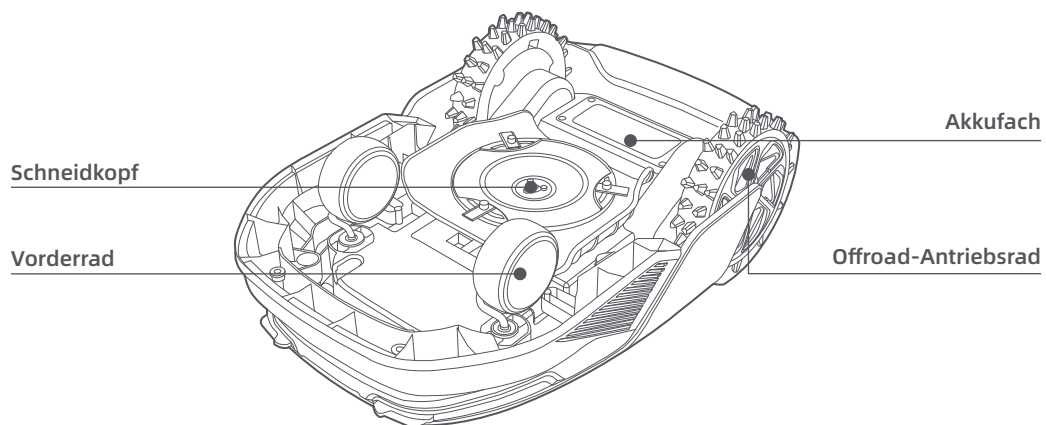
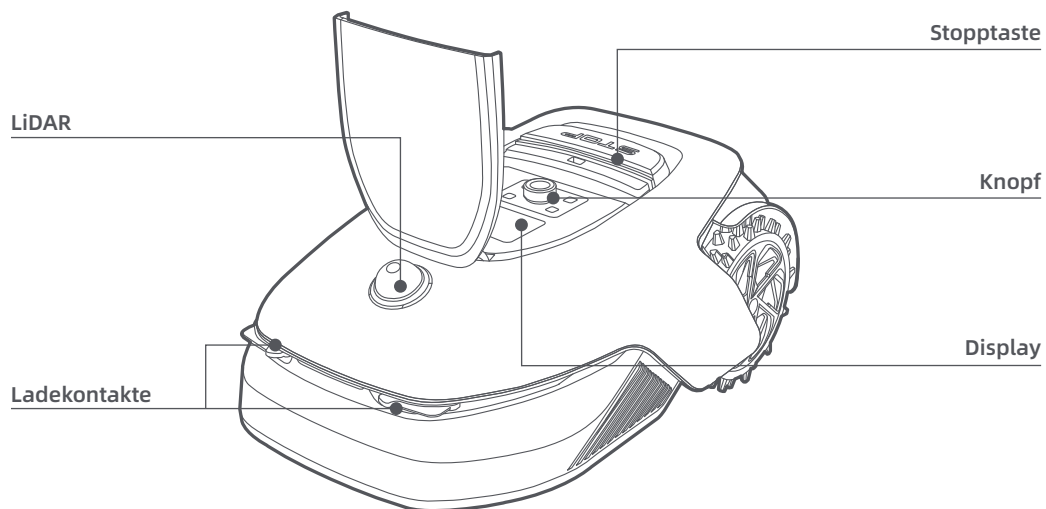
8 Ersatzklinge × 9

9 Originalbetriebsanleitung

10 Fusselfreies Tuch

11 Schnellstartanleitung

3 Produktübersicht



Sensor

Name	Beschreibung
Lidar	Erfasst Umgebungsinformationen und erleichtert die Ortung des A1 Pro, die Hindernisvermeidung und die Wasser- und Schmutzerkennung. Erfassungsbereich: 70 m mit 360° horizontalem und 59° vertikalem Weitwinkel.

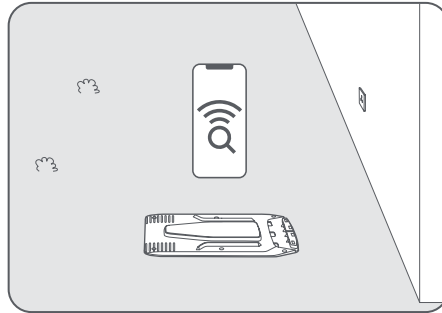
4 Installation

4.1 Einen geeigneten Standort auswählen

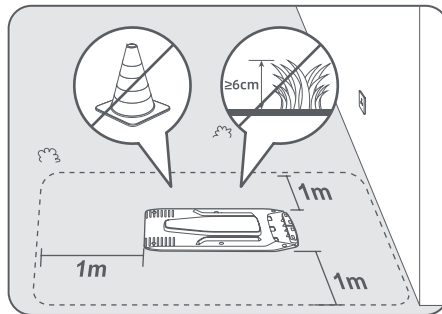
- Stellen Sie die Ladestation auf eine ebene Fläche nahe der Rasenkante und einer Steckdose. Es wird empfohlen, die Ladestation in einem Bereich mit guter WLAN-Signalstärke aufzustellen.

Hinweis: Prüfen Sie mit Ihrem Mobilgerät die WLAN-Signalstärke am Standort. Mit einer guten WLAN-Signalstärke wird die Stabilität der Verbindung zwischen A1 Pro und der App verbessert.

Hinweis: Vergewissern Sie sich, dass der Boden weich genug ist, um die Verschraubung zu ermöglichen.

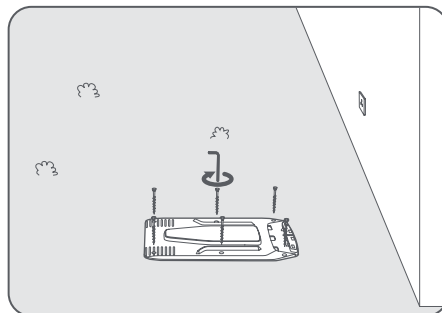


- Halten Sie links, rechts und im Vorderbereich der Ladestation einen Freiraum von mindestens 1 m ohne Hindernisse ein. Sorgen Sie dafür, dass das Gras rund um den Standort kürzer als 6 cm ist. Wenn das Gras höher ist, mähen Sie es bitte zuerst mit einem Schubmäher. Zu hohes Gras kann die Rückkehr von A1 Pro zur Ladestation erschweren.

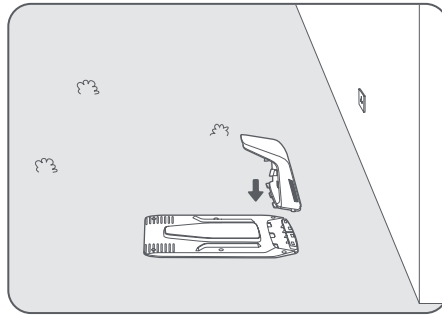


4.2 Installation der Ladestation

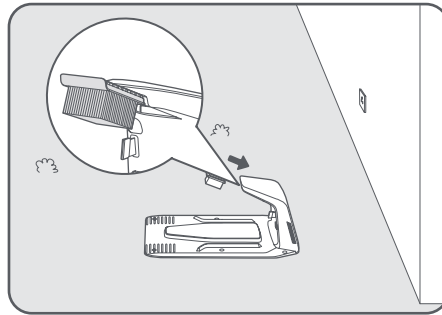
- 1 Befestigen Sie die Basisplatte mit den mitgelieferten Schrauben und dem Sechskantschlüssel auf dem Boden.



- 2 Setzen Sie die Ladesäule in die Basisplatte ein, bis Sie ein Klickgeräusch hören.

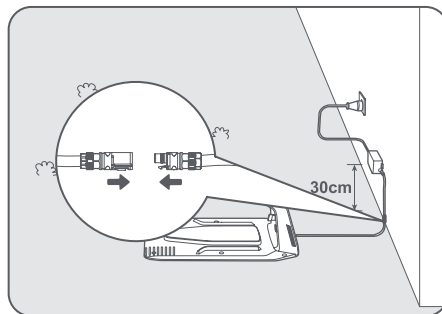


- 3 Setzen Sie die Reinigungsbürste in die Ladesäule ein und richten Sie dabei die Zunge an der Nut aus.



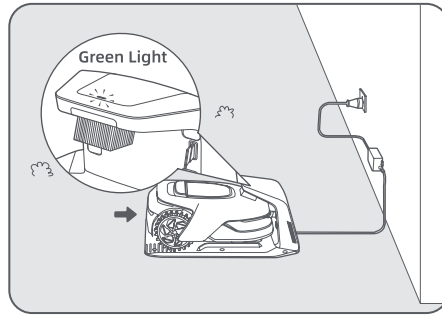
- 4 Verbinden Sie das Netzteil mit dem Verlängerungskabel und schließen Sie es an eine Steckdose an. Bitte halten Sie das Netzteil mindestens 30 cm über dem Boden.

Hinweis: Die LED-Anzeige an der Ladestation leuchtet konstant blau, wenn die Station mit Strom versorgt wird.



- 5 Setzen Sie A1 Pro zum Aufladen in die Ladestation. Stellen Sie sicher, dass die Ladekontakte an A1 Pro und der Ladestation richtig miteinander verbunden sind.

Hinweis: Die Anzeigeleuchte wird grün blinken, wenn A1 Pro erfolgreich in der Ladestation geladen wird.



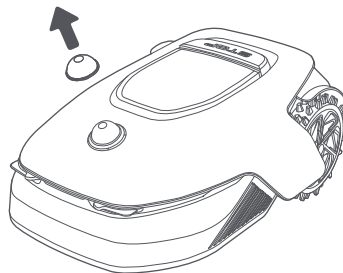
LED-Anzeige an der Ladestation

Farbe der LED-Anzeigeleuchte	Bedeutung
Blinkend/Leuchtet rot	1. Die Ladestation weist ein Problem auf (wie z. B. ein Problem mit dem Ladestrom oder der Spannung). 2. A1 Pro dockt an die Ladestation an, aber der Ladevorgang ist nicht normal (z. B. ein Kurzschluss bei den Ladekontakten).
Leuchtet blau	Die Ladestation ist mit Strom versorgt. A1 Pro befindet sich nicht in der Ladestation.
Blinkt grün	A1 Pro wird in der Ladestation geladen.
Leuchtet grün	A1 Pro befindet sich in der Ladestation und ist voll geladen.

5 Vorbereitung vor der Inbetriebnahme

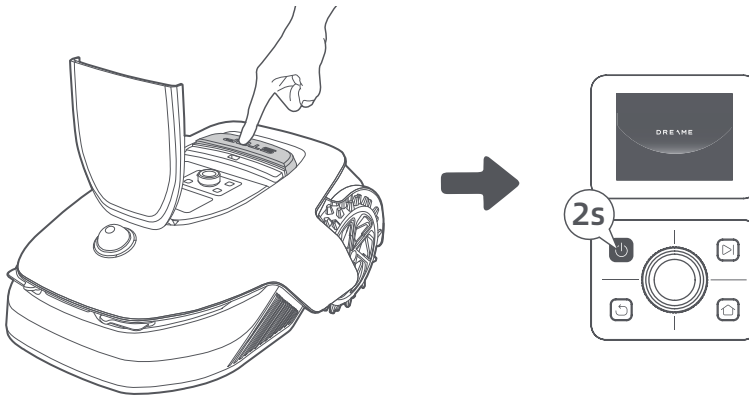
Beim ersten Einschalten von A1 Pro müssen einige grundlegende Einstellungen vorgenommen werden, bevor A1 Pro eingesetzt werden kann.

- 1 Entfernen Sie die LiDAR-Schutzabdeckung.



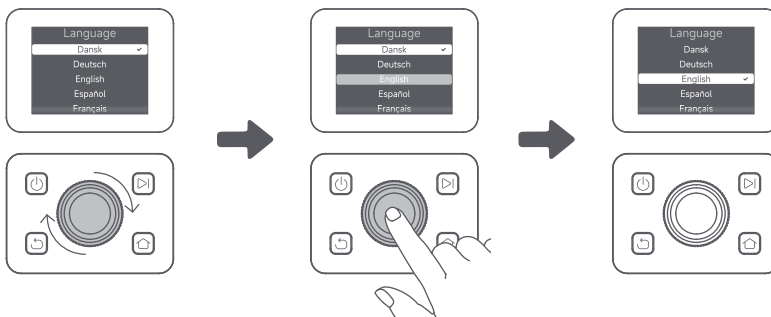
2 Drücken Sie die Stopptaste, um die Abdeckung des Bedienfelds zu öffnen. Halten Sie die Einschalttaste auf dem Bedienfeld 2 Sekunden lang gedrückt, um A1 Pro einzuschalten.

Hinweis: A1 Pro schaltet sich automatisch ein, wenn er in der Ladestation andockt.



3 Wählen Sie die bevorzugte Sprache

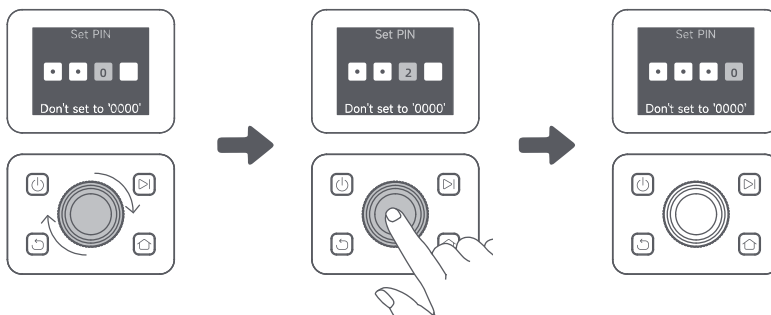
Drehen Sie den Drehknopf im Uhrzeigersinn nach unten und gegen den Uhrzeigersinn nach oben, um Ihre Sprache auszuwählen. Drücken Sie den Drehknopf zur Bestätigung.



4 PIN-Code einstellen

1. Drehen Sie den Drehknopf, um eine Zahl zwischen 0 und 9 auszuwählen. Drehen Sie ihn im Uhrzeigersinn, um die Zahl von 0 bis 9 zu erhöhen, und gegen den Uhrzeigersinn, um die Zahl zu verringern. Drücken Sie den Drehknopf, um die nächste Ziffer einzustellen. Um die vorherige Ziffer zu ändern, drehen Sie den Drehknopf gegen den Uhrzeigersinn, bis die Zahl 0 wird, und drehen Sie ihn noch einmal.

Hinweis: Bitte setzen Sie den PIN-Code nicht auf "0000".



2. Geben Sie den PIN-Code erneut ein, um die Einstellung des PIN-Codes abzuschließen.

Hinweis: Wenn zwei Passwörter nicht übereinstimmen, geben Sie bitte das neue Passwort erneut ein.

5) A1 Pro mit dem Internet verbinden

Bitte scannen Sie den QR-Code, um die Dreamehome App auf Ihr mobiles Gerät herunterzuladen. Nach der Installation erstellen Sie bitte ein Konto und melden sich an.



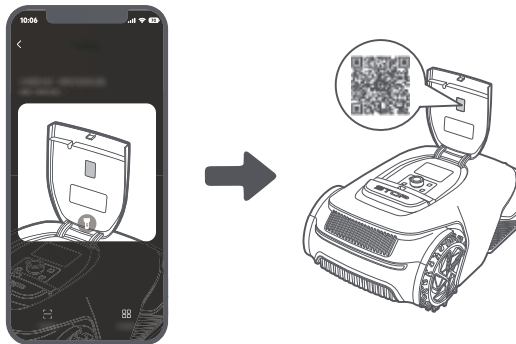
Sie können die Dreamehome App auch im App Store oder bei Google Play herunterladen.



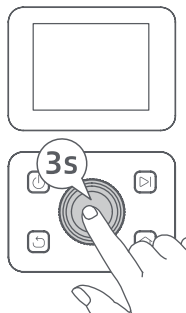
1) Bluetooth-Verbindung

1. Aktivieren Sie die Bluetooth-Funktion auf Ihrem mobilen Gerät.

2. Scannen Sie den QR-Code auf der Innenseite der Abdeckung oder wählen Sie A1 Pro manuell über die App aus.



3. Halten Sie den Drehknopf auf dem Bedienfeld 3 Sekunden lang gedrückt, woraufhin A1 Pro in den Bluetooth-Kopplungsmodus wechselt.



4. Koppeln Sie A1 Pro mit Ihrem mobilen Gerät über Bluetooth.

Hinweis: Stellen Sie sicher, dass sich Ihr mobiles Gerät im Umkreis von 10 m von A1 Pro befindet.

2) WLAN-Verbindung

Vergewissern Sie sich, dass A1 Pro und Ihr mobiles Gerät im selben WLAN-Netzwerk sind. Bitte folgen Sie den Anweisungen in der App, um die Verbindung herzustellen

Hinweis: Bitte nutzen Sie ein Singleband-Netzwerk mit 2,4 GHz Frequenz oder ein Dualband-Netzwerk mit 2,4/5 GHz Frequenz.

Hinweis: Sie können auch das Link-Modul separat erwerben, um A1 Pro ohne WLAN-Verbindung fernzusteuern.

Wie kann man die Bindung von A1 Pro aufheben?

A1 Pro wird automatisch an das Dreamehome Konto gebunden, sobald die Kopplung erfolgreich ist. Jedes Gerät kann nur an ein Konto gebunden werden. Es kann nicht gleichzeitig an ein anderes Konto gebunden sein.

Um A1 Pro mit einem neuen Konto zu verknüpfen, müssen Sie die bestehende Bindung zunächst aufheben. Gehen Sie zu „**Das Gerät**“ und tippen Sie auf „**Mehr**“ > „**Löschen**“ in der oberen rechten Ecke, um die Bindung des Geräts aufzuheben.

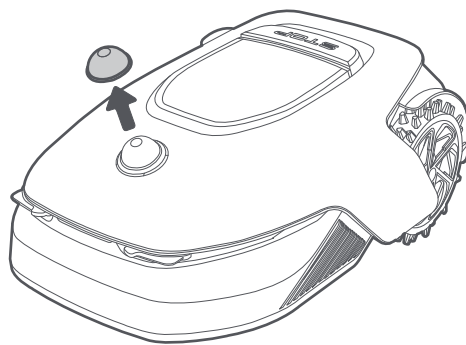
Wie kann man sich von seinem Dreamehome-Konto abmelden oder es löschen?

Um sich abzumelden, gehen Sie zu **Mich > Einstellungen > Konto > Logout**. Um das Konto zu löschen, gehen Sie zu **Mich > Einstellungen > Konto > Das Konto löschen**.

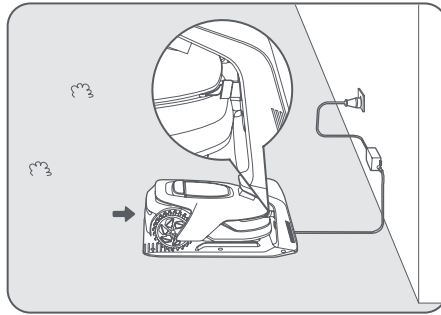
6 Karte Ihres Gartens erstellen

Bevor Sie die Karte erstellen, überprüfen Sie bitte Folgendes:

- Der Akkustand von A1 Pro beträgt mehr als 50 %.
- Die Schutzabdeckung des LiDAR ist entfernt.

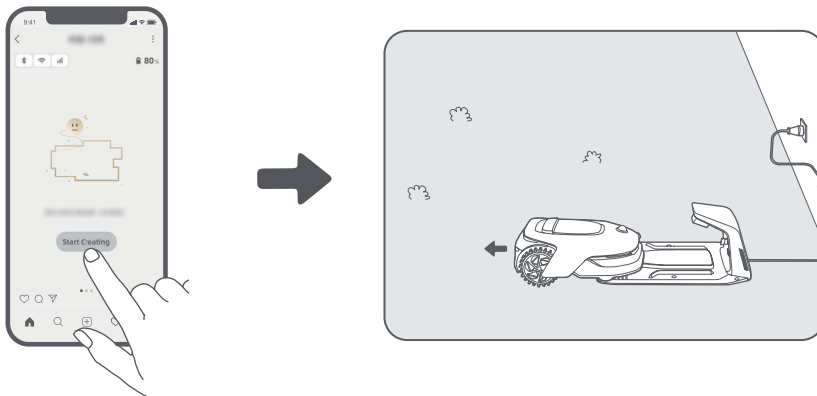


- A1 Pro dockt korrekt in der Ladestation an.

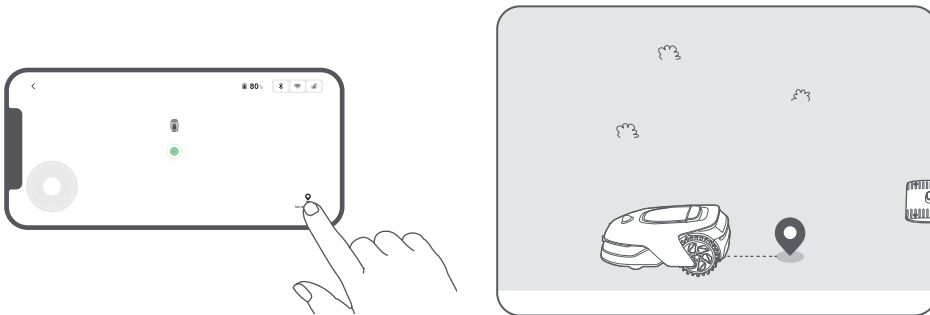


6.1 Eine Grenze erstellen

- 1 Tippen Sie in der App auf "Erstellen beginnen", woraufhin A1 Pro seinen Status überprüft und sich kalibriert. Er verlässt automatisch die Ladestation, um die Kalibrierung durchzuführen. Bitte seien Sie vorsichtig.



- 2 Führen Sie A1 Pro per Fernbedienung die Rasenkante heran und tippen Sie auf "Startpunkt setzen", um den Startpunkt der Grenze zu bestimmen.

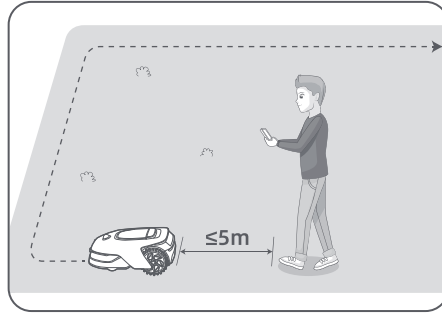


- 3 Bewegen Sie A1 Pro per Fernbedienung entlang der Rasenkante, um den Arbeitsbereich zu erstellen. Beachten Sie bitte beim Erstellen der Grenze durch die Fernsteuerung von A1 Pro die folgenden Punkte:

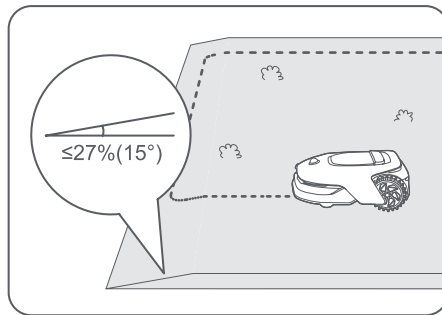
⚠️ Warnung: Bewegen Sie A1 Pro beim Erstellen der Grenze nicht manuell, da sonst die Kartenerstellung möglicherweise nicht erfolgreich ist.

⚠️ Warnung: Wenn die Kartenerstellung über die Fernbedienung beginnt, darf A1 Pro nicht ferngesteuert an die Ladestation angedockt werden, bevor die Kartenerstellung abgeschlossen ist. Andernfalls kann das LiDAR blockiert werden, was zum Fehlschlagen der Kartenerstellung führen kann.

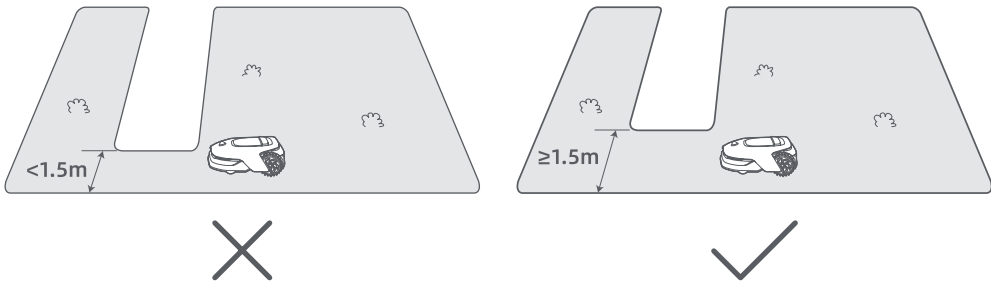
- Gehen Sie bei der Fernbedienung von A1 Pro in einer Entfernung von maximal 5 m hinter A1 Pro.



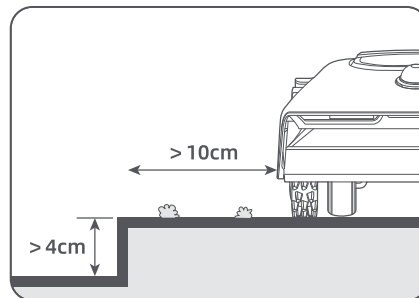
- Legen Sie die Grenze nicht an einer Steigung von mehr als **27 %** an.



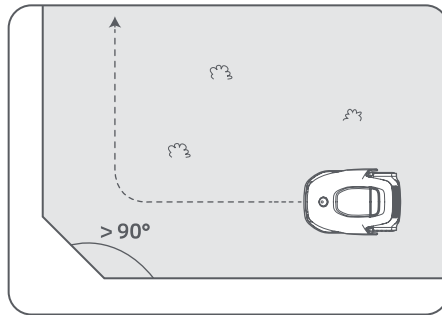
- Vermeiden Sie das Anlegen von Grenzen innerhalb von Gängen, die schmaler als **1.5 m** sind.



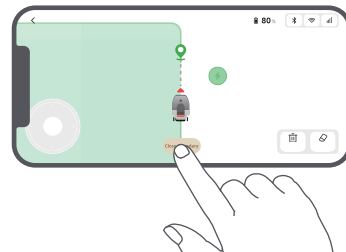
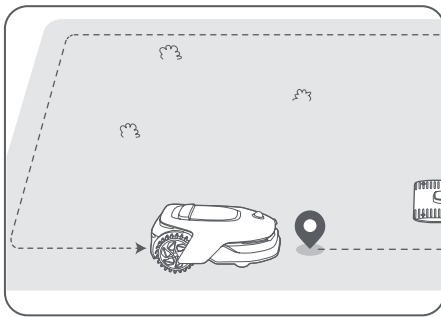
- Wenn zwischen der Rasenkante und dem angrenzenden Boden ein Höhenunterschied von mehr als **4 cm** besteht, halten Sie bitte einen Mindestabstand von **10 cm** zwischen A1 Pro und der Rasenkante ein.



- Stellen Sie sicher, dass der Wendewinkel größer als 90° ist.

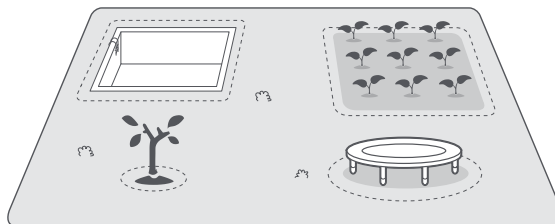


- 4 Wenn A1 Pro an die Stelle zurückkehrt, die **1 m** vom Startpunkt entfernt ist, können Sie auf "Begrenzung schließen" tippen und die Grenze wird automatisch fertiggestellt.



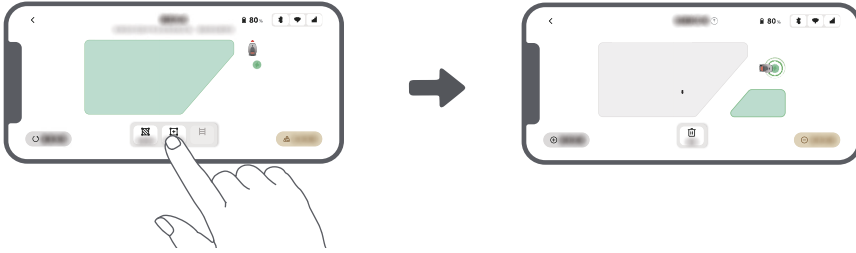
6.2 Sperrzone festlegen

A1 Pro kann zwar Hindernissen automatisch umgehen, dennoch ist es notwendig, Bereiche mit Sturzgefahr, wie z. B. Schwimmbäder und Sandkästen, als Sperrzonen zu definieren. Bitte richten Sie für Objekte, die Sie schützen möchten (wie z.B. ein Blumenbeet, ein Trampolin, ein Gemüsebeet oder eine offene Baumwurzel), Sperrzonen ein. Sie können die Sperrzonen mit A1 Pro über die App per Fernbedienung erstellen oder unter „Kartenbearbeitung“ direkt Sperrzonen auf der Karte einzeichnen bzw. löschen.



6.3 Mehrere Zonen festlegen

Wenn Ihr Rasen durch Wege getrennt ist oder Sie mehrere voneinander getrennte Rasenflächen haben, können Sie in der App auf "Arbeitszone" tippen, um die Arbeitszone per Fernbedienung zu erstellen. Sie können die Zonen auch unter "Kartenbearbeitung" hinzufügen, löschen oder ändern, wenn die Karte fertig ist.

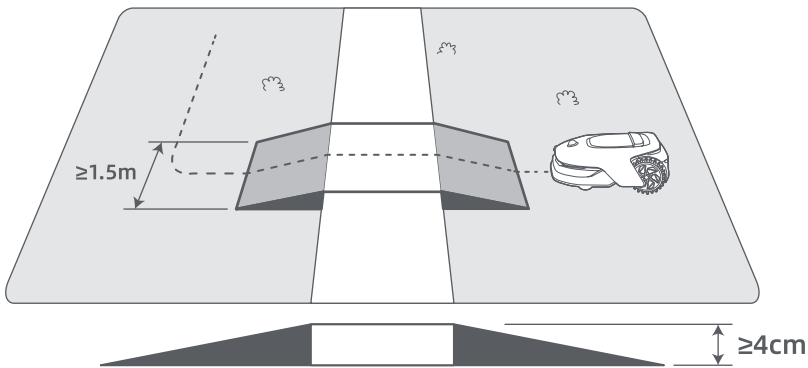


6.4 Pfad festlegen

Für einzelne Zonen müssen Sie einen Pfad erstellen, um sie zu verbinden. Isolierte Zonen ohne Pfad sind für A1 Pro unzugänglich.

Hinweis: Standardmäßig befährt A1 Pro nur den Weg, ohne zu mähen.

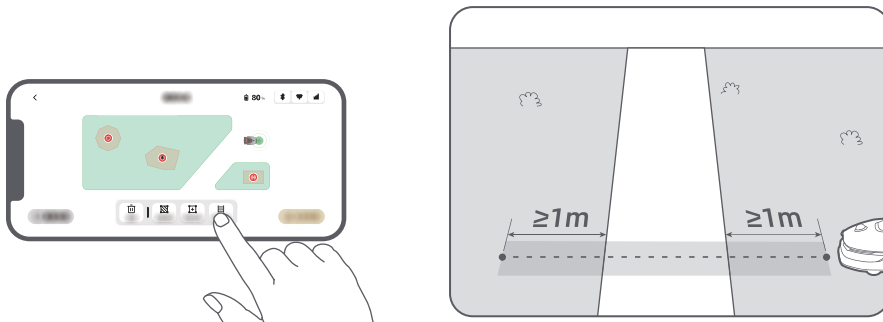
Hinweis: Wenn Ihre Rasenfläche durch Durchgänge mit einer Höhe von mehr als 4 cm unterteilt ist, platzieren Sie ein Objekt mit einer Neigung, die der Höhe des Durchgangs entspricht (z. B. eine Rampe).



• So verbindet man zwei voneinander getrennte Arbeitszonen

Wenn sich die neue(n) Fläche(n) und die Ausgangsfläche überlappen, werden sie automatisch miteinander verbunden. Für isolierte Bereiche legen Sie bitte Pfade an, um sie zu verbinden, da sie sonst für A1 Pro unzugänglich sind. Tippen Sie auf "Pfad" und steuern Sie A1 Pro mit der Fernbedienung, um einen Pfad zu erstellen.

Hinweis: Achten Sie darauf, dass der Anfang und das Ende des Pfades im Arbeitsbereich liegen. Halten Sie mindestens 1 m Abstand zwischen dem Anfang/Ende des Pfades und der Grenze ein.

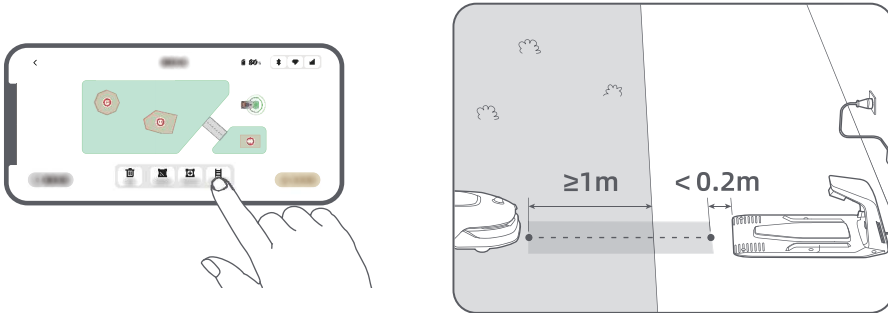


• So verbindet man die Arbeitszone und die Ladestation

Wenn sich Ihre Ladestation nicht im Arbeitsbereich befindet, sollte ein Pfad erstellt werden, um sie mit dem Arbeitsbereich zu verbinden. Tippen Sie auf "Pfad", und steuern Sie den A1 Pro mit der Fernbedienung, um einen Pfad für die Rückkehr des Roboters zur Ladestation zu erstellen.

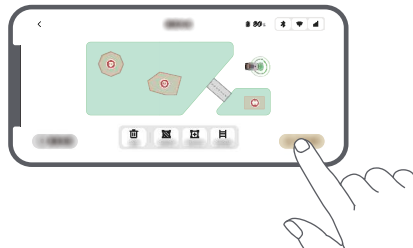
Hinweis: Beim Erstellen eines Pfades stellen Sie sicher, dass ein Ende mindestens 1 Meter ($\geq 1\text{ m}$) mit dem Arbeitsbereich überlappt und das andere Ende weniger als 0,2 Meter ($< 0,2\text{ m}$) vor der Ladestation liegt.

⚠️ Warnung: Beim Anlegen von Pfaden zwischen dem Arbeitsbereich und der Ladestation darf A1 Pro nicht ferngesteuert an die Ladestation andockt werden. Andernfalls kann das LiDAR blockiert werden, was zum Fehlschlagen der Kartenerstellung führen kann.



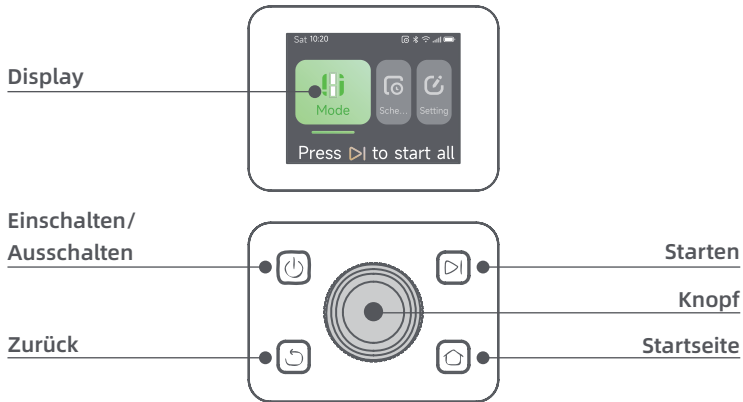
6.5 Karte fertigstellen

Tippen Sie auf "Karte fertigstellen", wenn die Arbeitsbereiche, Wege und Sperrzonen festgelegt sind. A1 Pro sollte sich im Bereich innerhalb der Karte befinden, wenn die Karte fertiggestellt ist, andernfalls werden Sie aufgefordert, ihn per Fernbedienung zurück in die Karte zu bewegen.






7 Bedienung

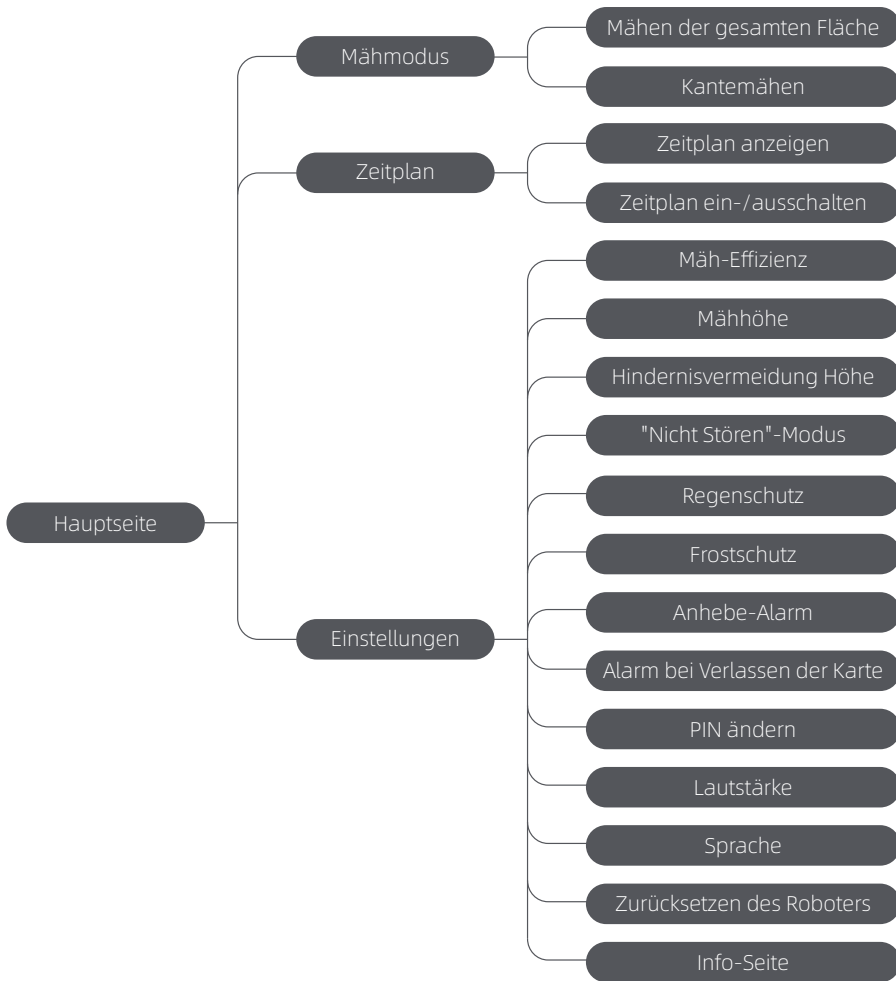
7.1 Das Bedienfeld kennenlernen



Symbol	Status
	Akkustand (Zeigt den aktuellen Akkustand an.)
	Aufladen (A1 Pro dockt erfolgreich an die Ladestation an.)
	Bluetooth (A1 Pro ist über Bluetooth mit der App verbunden.)
	WLAN (A1 Pro ist über ein WLAN-Netzwerk mit der App verbunden.)
	Link-Dienst (Der Link-Dienst ist aktiviert.)
	Zeitplan (Eine Aufgabe ist für heute geplant und wurde noch nicht gestartet.)

Taste	Funktion
Einschalten 	Stellen Sie sicher, dass sich A1 Pro außerhalb der Ladestation befindet. Drücken Sie die Einschalttaste und halten Sie sie 2 Sekunden lang gedrückt, um das Gerät ein- oder auszuschalten.
Starten 	Drücken Sie die Startseite -Taste und schließen Sie die Abdeckung innerhalb von 5 Sekunden, um den A1 Pro zum Aufladen an die Station zurückzuschicken. Die Aufgabe wird abgebrochen, wenn die Abdeckung nicht innerhalb von 5 Sekunden geschlossen wird.
Startseite 	Drücken Sie die Startseite -Taste und schließen Sie die Abdeckung innerhalb von 5 Sekunden, um den A1 zum Aufladen an die Station zurückzuschicken. Die Aufgabe wird abgebrochen, wenn die Abdeckung nicht innerhalb von 5 Sekunden geschlossen wird.
Zurück 	Drücken Sie die Zurück -Taste, um zur vorherigen Seite zurückzukehren.
Zurück	Drücken Sie den Drehknopf, um die Auswahl in den Menüs zu bestätigen.
	Drücken Sie den Drehknopf und halten Sie ihn 3 Sekunden lang gedrückt, um den Bluetooth-Kopplungsmodus auf A1 zu aktivieren.
	Drehen Sie den Drehknopf im Uhrzeigersinn, um durch das Menü zu navigieren.
Starten + Zurück	Drücken und halten Sie die Starten -Taste und die Zurück -Taste zusammen für 3 Sekunden, um den A1 Pro auf Werkseinstellungen zurückzusetzen. Der PIN-Code wird dabei nicht gelöscht.
Startseite + Zurück	Drücken Sie die Startseite -Taste und die Zurück -Taste gleichzeitig und halten Sie sie 3 Sekunden lang gedrückt, um die Info-Seite in den Einstellungen aufzurufen. Die Info-Seite wird nach 5 Sekunden ausgeblendet.
Drehknopf + Zurück	Drücken Sie den Drehknopf und die Zurück -Taste gleichzeitig und halten Sie sie 3 Sekunden lang gedrückt, um den PIN-Code zurückzusetzen.
Stopp	Drücken Sie die Stopp -Taste, um die Abdeckung des Bedienfelds zu öffnen und den A1 Pro zu stoppen. Zur Wiederaufnahme des Betriebs von A1 Pro muss der PIN-Code am Bedienfeld eingegeben werden.

Übersicht der Menüstruktur

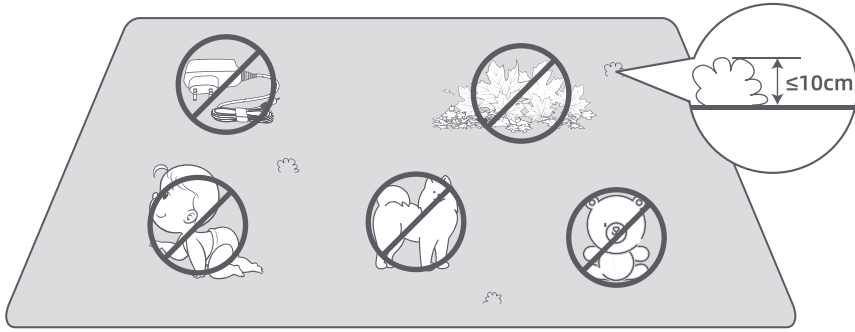


* Je nach Softwareversion werden möglicherweise Aktualisierungen vorgenommen.

7.2 Zum ersten Mal mit dem Mähen beginnen

Tipps vor dem Mähen:

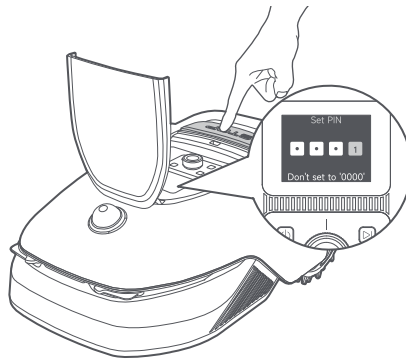
- Mähen Sie das Gras mit einem Schubmäher auf eine Höhe von maximal 10 cm.
- Entfernen Sie alle Hindernisse wie Schutt, Laubhaufen, Spielzeug, Drähte und Steine vom Rasen. Achten Sie darauf, dass sich keine Kinder oder Haustiere bei Mäharbeiten mit dem A1 Pro auf dem Rasen befinden.
- Füllen Sie die Lücken im Rasen auf.
- Stellen Sie Ihre Mähpräferenzen in der App vorab ein (wie z. B. Mäheffizienz, Mähhöhe und Mährichtung).



Drücken Sie die **Starten**-Taste auf dem Bedienfeld und schließen Sie die obere Abdeckung innerhalb von 5 Sekunden. Der A1 Pro verlässt die Ladestation und beginnt zu mähen. Sie können auch über die App starten, indem Sie auf "Starten" tippen, um mit dem Mähen zu beginnen.

• **Über das Bedienfeld starten**

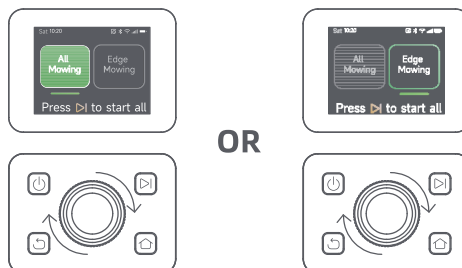
1. Drücken Sie die **Stopp**-Taste, öffnen Sie die Abdeckung und geben Sie den PIN-Code ein.



2. Wählen Sie "Mähmodus" auf dem Display und drücken Sie den Drehknopf.

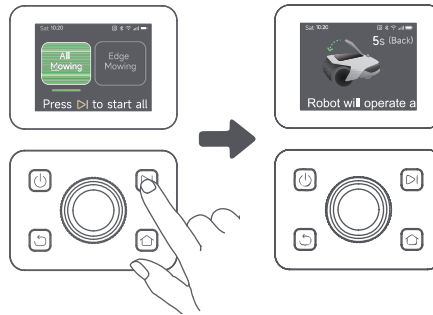


3. Wählen Sie durch Drehen des Drehknopfes den gewünschten Mähmodus.



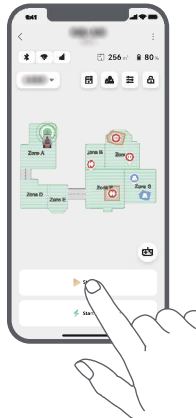
OR

4. Drücken Sie die **Starten**-Taste und schließen Sie die obere Abdeckung innerhalb von 5 Sekunden. Der A1 Pro beginnt zu mähen.



• Über die App starten

1. Öffnen Sie die App.
2. Wählen Sie einen Mähmodus und tippen Sie auf "Starten", um mit dem Mähen zu beginnen.



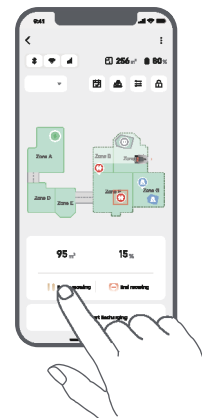
7.3 Pause/Unterbrechen

Zum Unterbrechen der aktuellen Mäh Aufgabe können Sie die Stopp-Taste am A1 Pro drücken oder in der App auf "Pause" tippen.

Hinweis: Nach dem Drücken der **Stopp**-Taste wird A1 Pro gesperrt und kann nicht direkt über die App gestartet werden. Um das Mähen fortzusetzen, geben Sie bitte zuerst Ihren voreingestellten PIN-Code auf dem Bedienfeld ein.

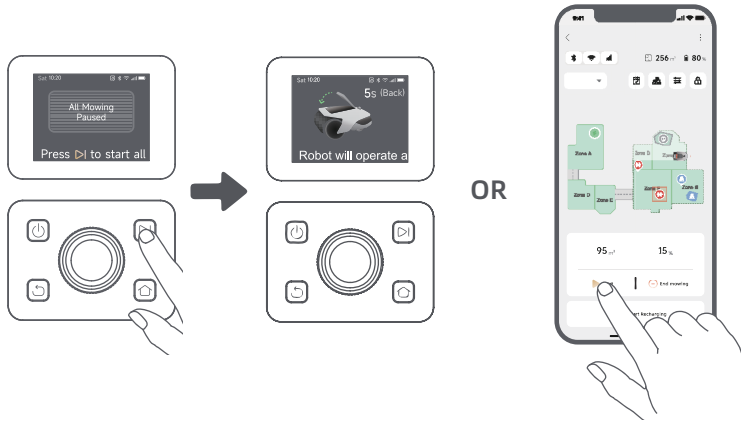


OR



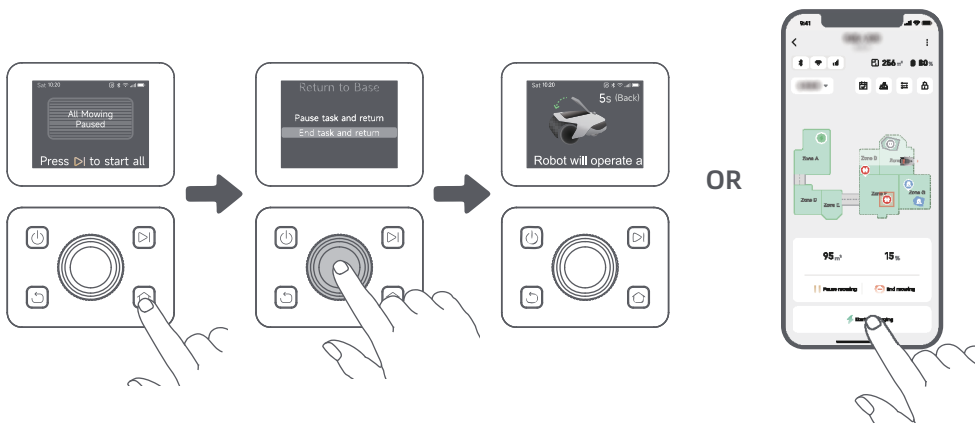
7.4 Fortsetzen

Um den Mähvorgang nach einer Unterbrechung von A1 Pro fortzusetzen, drücken Sie die **Starten**-Taste an A1 Pro und schließen Sie die Abdeckung innerhalb von 5 Sekunden. A1 Pro wird die letzte Mähaufgabe fortsetzen. Sie können auch in der App auf "Fortsetzen" tippen, um die Mähaufgabe fortzusetzen.



7.5 Rückkehr zur Ladestation

Geben Sie Ihren PIN-Code auf dem Bedienfeld ein und drücken Sie dann die **Startseite**-Taste, um die Mähaufgabe zu beenden und A1 Pro zurück zur Ladestation zu schicken. Bestätigen Sie, um die Aufgabe zu beenden und schließen Sie die Abdeckung innerhalb von 5 Sekunden. A1 Pro kehrt automatisch in die Ladestation zum Wiederaufladen zurück. Sie können auch in der App auf "Zurück zur Station" tippen, um A1 Pro zurück zur Ladestation zu schicken.



8 Dreamehome App

Wo man noch mehr entdecken kann

Die Dreamehome App ist mehr als nur eine Fernbedienung. Sie können mit der App viele verschiedene Funktionen nutzen: diverse Einstellungen per Fernbedienung vornehmen, verschiedene Mähmodi ausprobieren, die Karte beliebig bearbeiten und den Mähplan anpassen. Darüber hinaus können Sie die 3D-Karte Ihrer Rasenfläche direkt in der App anzeigen.

8.1 Mähmodi

A1 Pro bietet verschiedene Mähmodi. Sie können über die App zwischen den Modi hin- und herschalten.



8.2 Zeitplan

Nach Fertigstellung der ersten Karte erstellt A1 Pro automatisch zwei wöchentliche Mähpläne entsprechend der Rasengröße: "Frühjahr&Sommer Plan" und "Herbst&Winter Plan". Sie können in der App auf "Zeitplan" tippen, um detaillierte Zeitplaneinstellungen vorzunehmen. Mit der Zeitplanfunktion können Sie die tägliche Mäharbeit komplett A1 Pro überlassen. Sie müssen A1 Pro nur noch regelmäßige Wartung durchführen.

Hinweis: Wenn Sie Sorge haben, dass A1 Pro Sie oder Ihre Nachbarn stören könnte, wenn er zu bestimmten Zeiten selbstständig arbeitet, können Sie unter Einstellungen > Nicht stören die Ruhezeiten in der App einstellen.



8.3 Kindersicherung

Wenn Sie Sorge haben, dass Kinder den A1 Pro benutzen könnten, können Sie die Funktion "Kindersicherung" in der App aktivieren. Bei aktivierter Funktion wird A1 Pro gesperrt, wenn bei geöffneter Abdeckung 5 Minuten lang keine Bedienung erfolgt.



8.4 Regenschutz

Wenn Sie befürchten, dass schlechte Wetterbedingungen die Mäharbeiten beeinträchtigen könnten, können Sie die Funktion "Regenschutz" in den "Einstellungen" auf dem Bedienfeld oder in der App aktivieren. Wenn diese Funktion aktiviert ist, unterbricht A1 Pro das Mähen automatisch und kehrt zur Ladestation zurück, wenn es regnet. Sie können die Regenschutzzeit in der App einstellen.



8.5 Frostschutz

Wenn die Temperatur unter 6 °C liegt, kann das Mähen den Rasen dauerhaft beschädigen. Der Akku kann infolge des aktivierten Selbstschutzes nicht geladen werden. Sie können die Funktion "Frostschutz" unter "Einstellungen" auf dem Bedienfeld oder in der App aktivieren. Mit dieser Funktion kann der A1 Pro das Mähen automatisch unterbrechen und zur Ladestation zurückkehren, wenn die Umgebungstemperatur ≤ 6 °C liegt. Er setzt seine Arbeit automatisch fort, wenn die Temperatur über 11 °C liegt.



8.6 Hebealarm

Bei aktivierter Funktion wird der A1 Pro gesperrt und der Alarm wird sofort ausgelöst, wenn er angehoben wird.



8.7 Alarm bei Verlassen der Karte

Bei aktivierter Funktion wird der A1 Pro gesperrt und der Alarm wird sofort ausgelöst, wenn er sich außerhalb der Karte befindet. (Für diese Funktion ist die Installation des Link-Moduls erforderlich.)



8.8 Standort in Echtzeit

Mit dem Link-Modul können Sie den aktuellen Standort von A1 Pro in Google Maps anzeigen lassen.



Hinweis: Das Dreame Entwicklungsteam führt laufend die Firmware- und App-Aktualisierungen per Satelliten-Signal (OTA) durch. Bitte achten Sie auf Aktualisierungsbenachrichtigungen oder aktivieren Sie die Funktion zur automatischen Aktualisierung, um die Firmware und die App auf dem neuesten Stand zu halten und mehr Funktionen zu nutzen.

9 Wartung

Für eine bessere Leistung und Lebensdauer des A1 Pro reinigen Sie ihn bitte regelmäßig und tauschen Sie abgenutzte Teile entsprechend der nachfolgend aufgeführten Häufigkeit aus:

Teil	Häufigkeit des Austauschs
Schneidmesser	Spätestens alle 6-8 Wochen
Reinigungsbürste	Spätestens alle 12 Monate

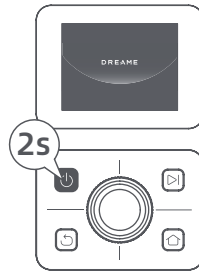
9.1 Reinigung

⚠️ Warnung: Bitte schalten Sie A1 Pro vor der Reinigung aus und ziehen Sie den Stecker der Ladestation.

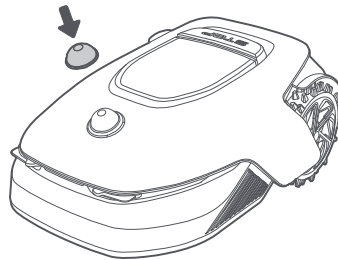
⚠️ Warnung: Bitte achten Sie darauf, dass die LiDAR-Schutzabdeckung auf dem LiDAR angebracht ist, bevor Sie A1 Pro auf den Kopf stellen, um Schäden am LiDAR zu vermeiden.

• Das Gehäuse von A1 Pro, Fahrgestell und Schneidkopf:

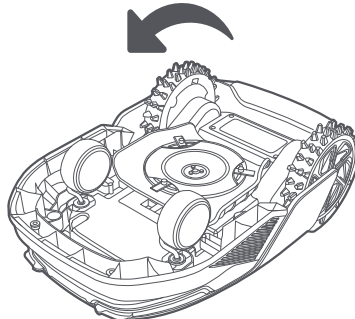
1. Schalten Sie A1 Pro aus.



2. Setzen Sie die LiDAR-Schutzabdeckung auf das LiDAR.



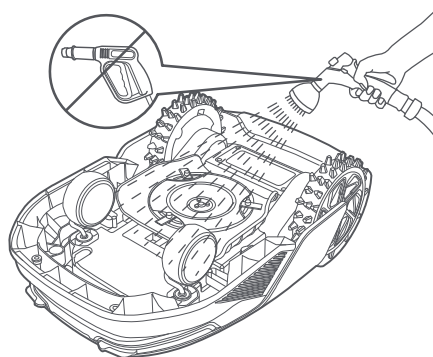
3. Drehen Sie A1 Pro auf den Kopf.



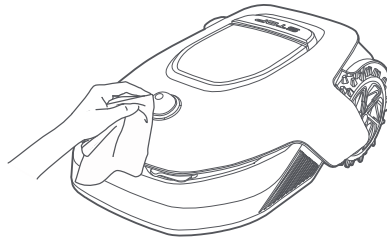
4. Den Körper, den Schneidkopf und das Fahrgestell des A1 Pro mit einem Schlauch reinigen.

⚠ Warnung: Berühren Sie beim Reinigen des Gehäuses nicht die Schneidmesser. Bitte tragen Sie beim Reinigen Handschuhe.

⚠ Warnung: Bitte reinigen Sie nicht mit einem Hochdruckreiniger. Verwenden Sie zur Reinigung keine Reinigungsmittel.

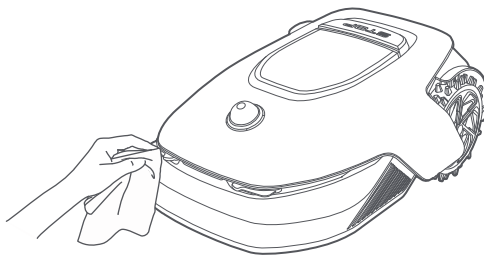


5. Reinigen Sie den LiDAR-Sensor vorsichtig mit einem fusselfreien Tuch.



• **Ladekontakte:**

Reinigen Sie die Ladekontakte von A1 und der Ladestation mit einem sauberen Tuch. Halten Sie die Ladekontakte nach der Reinigung trocken.



9.2 Austausch der Komponenten

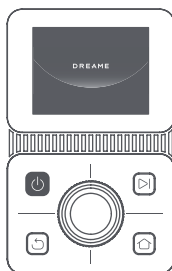
• **Ersetzen der Schneidmesser**

Ersetzen Sie die Schneidmesser regelmäßig, um sie scharf zu halten. Es wird empfohlen, die Klingen alle 6-8 Wochen oder früher zu ersetzen. Bitte verwenden Sie nur Original-Schneidmesser von Dreame.

⚠ Warnung: Bitte schalten Sie A1 Pro aus und tragen Sie Schutzhandschuhe, bevor Sie die Schneidmesser austauschen.

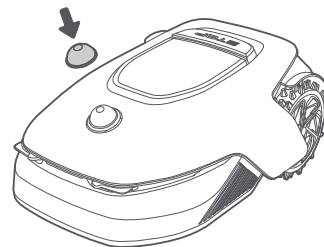
Hinweis: Bitte tauschen Sie alle drei Schneidmesser gleichzeitig aus, um ein ausgewogenes Schneidsystem zu gewährleisten.

1. Schalten Sie A1 Pro aus.

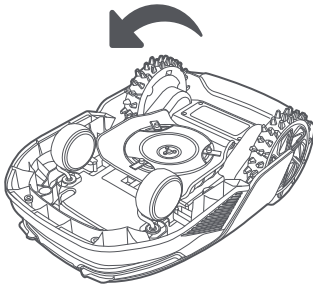


3. Legen Sie A1 Pro auf eine weiche Unterlage und stellen Sie ihn auf den Kopf.

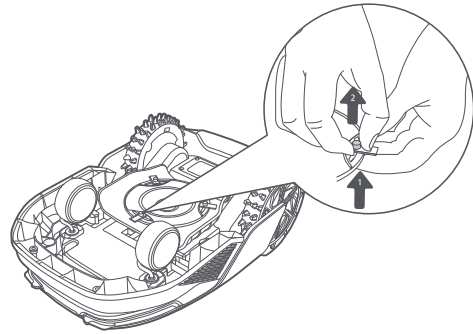
2. Stellen Sie sicher, dass die LiDAR-Schutzabdeckung aufgesetzt ist.



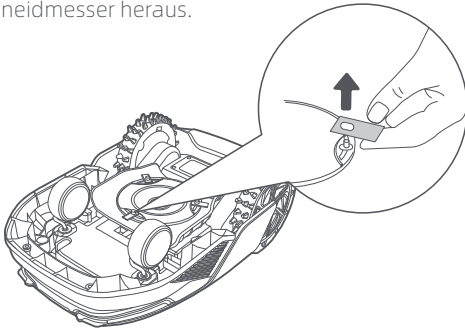
4. Drücken Sie den Knopf unter dem Schneidkopf, um die Aufnahme zu entfernen.



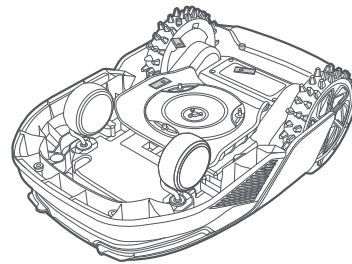
5. Richten Sie die Öffnung am Schneidmesser auf den Schaft aus und nehmen Sie das Schneidmesser heraus.



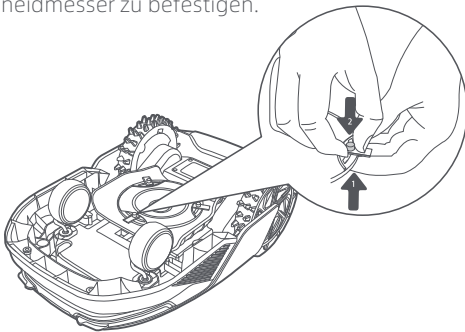
6. Entfernen Sie 3 Schneidmesser und Aufnahmen.



7. Drücken Sie den Knopf unter dem Schneidkopf und richten Sie die Öffnung der Aufnahme mit dem Schaft aus, um die Aufnahmen und die Schneidmesser zu befestigen.



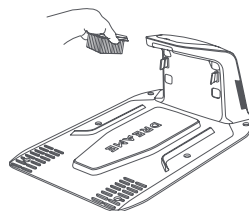
8. Stellen Sie sicher, dass sich die Schneidmesser frei drehen können.



• Austausch der Reinigungsbürste

Wenn die Reinigungsbürste für den LiDAR-Sensor abgenutzt ist, können ihre Borsten ausfransen oder beschädigt werden, wodurch die Reinigungsleistung beeinträchtigt wird. Tauschen Sie die Reinigungsbürste regelmäßig aus, um ein optimales Reinigungsergebnis zu erzielen. Es wird empfohlen, die Reinigungsbürste mindestens alle 12 Monate auszutauschen.

Hinweis: Vor dem Austausch der Reinigungsbürste ziehen Sie bitte unbedingt den Stecker der Ladestation.



10 Akku

Laden Sie bei langfristiger Aufbewahrung A1 Pro alle 6 Monate auf, um den Akku zu schützen. Die eingeschränkte Garantie deckt keine Akkuschäden ab, die durch Tiefentladung verursacht werden. Laden Sie den Akku nicht bei einer Umgebungstemperatur über 45 °C (113 °F) bzw. unter 6 °C (43 °F). Die Temperatur für die Langzeitlagerung des Akkus sollte zwischen -10 und 35 °C (14 und 95 °F) liegen. Zur Schadensminimierung liegt die empfohlene Lagerungstemperatur für den Akku zwischen 0 und 25 °C (32 bis 77 °F).

Hinweis: Die Lebensdauer des Akkus von A1 Pro hängt von der Nutzungshäufigkeit und der Anzahl der Betriebsstunden ab. Ist der Akku beschädigt oder lässt er sich nicht mehr aufladen, entsorgen Sie den verbrauchten oder defekten Akku bitte nicht achtlos. Bitte halten Sie sich an die regionalen Recyclingvorschriften.

Energiesparender Lademodus:

Bei aktiviertem Energiespar-Lademodus werden alle nicht mit dem Laden verbundenen Funktionen deaktiviert. (Display und Netzwerk werden ausgeschaltet.)

- Zum Aktivieren des Energiespar-Lademodus drücken und halten Sie die **Starten**-Taste und die **Startseite**-Taste zusammen und drücken Sie gleichzeitig fünfmal schnell die **Zurück**-Taste. Sie hören eine Sprachansage: Der Energiespar-Lademodus ist aktiviert.
- Zum Deaktivieren des Energiespar-Lademodus starten Sie den A1 Pro neu oder drücken Sie fünfmal schnell die **Einschalttaste**.

11 Einlagerung in der Winterzeit

• A1 Pro

1. Laden Sie den Akku vollständig auf und schalten Sie A1 Pro aus.

2. Reinigen Sie A1 Pro gründlich, bevor Sie es für den Winter einlagern.
3. Bringen Sie die LiDAR-Schutzabdeckung an.
4. Lagern Sie A1 Pro an einem trockenen Ort bei einer Temperatur über 0 °C.

• Ladestation

Ziehen Sie den Stecker der Ladestation und lagern Sie sie an einem trockenen, kühlen und vor direkter Sonneneinstrahlung geschützten Ort.

Hinweis: Wenn Sie A1 Pro längere Zeit nicht benutzt haben, sollten Sie eine neue Karte Ihres Gartens erstellen, da erhebliche Änderungen der Gartenumgebung zu Ortungsfehlern führen können.

12 Transport

Stellen Sie beim Transport über lange Strecken sicher, dass A1 Pro ausgeschaltet ist. Es wird empfohlen, die Originalverpackung zu verwenden. Bringen Sie die LiDAR-Schutzabdeckung an.

⚠️ Warnung: Bitte schalten Sie A1 Pro vor dem Transport aus.

⚠️ Warnung: Heben Sie das Gerät am Rücken an, so dass der Schneidkopf von Ihrem Körper weg zeigt.

13 Fehlersuche und -behebung

Problem	Ursache	Lösung
A1 Pro ist nicht mit der App verbunden.	<ol style="list-style-type: none"> 1. A1 Pro befindet sich nicht innerhalb der Reichweite des WLAN- oder Bluetooth-Signals. 2. A1 Pro ist ausgeschaltet oder wird neu gestartet. 	<ol style="list-style-type: none"> 1. Prüfen Sie, ob A1 Pro den Einschaltvorgang abgeschlossen hat. 2. Prüfen Sie, ob der Router ordnungsgemäß funktioniert. 3. Gehen Sie näher an A1 Pro heran, um eine Bluetooth-Verbindung herzustellen.
A1 Pro angehoben.	Das Rad ist nicht auf dem Boden.	<ol style="list-style-type: none"> 1. Stellen Sie den A1 Pro wieder auf den flachen Boden. 2. Geben Sie den PIN-Code am A1 Pro ein und bestätigen Sie ihn. 3. A1 Pro kann nicht über Objekte mit einer Höhe von mehr als 4 cm fahren. Bitte achten Sie darauf, dass der Boden im Arbeitsbereich des Roboters eben ist.
A1 Pro gekippt.	A1 Pro ist um mehr als 37° gekippt.	<ol style="list-style-type: none"> 1. Stellen Sie den A1 Pro wieder auf den flachen Boden. 2. Geben Sie den PIN-Code am A1 Pro zur Bestätigung ein. 3. A1 Pro kann keine Steigungen von mehr als 45 % (24°) befahren.
A1 Pro festgefahren.	A1 Pro ist festgefahren und kann sich nicht befreien.	<ol style="list-style-type: none"> 1. Entfernen Sie die umliegenden Hindernisse und versuchen Sie es erneut. 2. Bewegen Sie den A1 Pro manuell an eine flache und offene Stelle auf der Karte und versuchen Sie erneut, die Aufgabe zu starten. Wenn dieses Problem weiterhin auftritt, versuchen Sie es erst dann erneut, wenn sich der A1 Pro in der Ladestation befindet. 3. Prüfen Sie, ob es Gruben im Gelände gibt. Füllen Sie die Gruben vor dem Mähen auf, um ein Festfahren des A1 Pro zu verhindern. 4. Prüfen Sie, ob das umliegende Gras höher als 10 cm ist. Sie können die Höhe der Hindernisvermeidung einstellen oder den Rasen im Voraus mit einem Schiebemäher mähen, um das Festfahren des A1 Pro zu verhindern. 5. Bleibt der A1 Pro häufig an dieser Stelle stecken, können Sie sie als Sperrzone festlegen.
Störung am linken/rechten Hinterrad	Das Rad kann sich nicht drehen oder es liegt ein Problem mit dem Radmotor vor.	<ol style="list-style-type: none"> 1. Reinigen Sie die Hinterräder und versuchen Sie es erneut. 2. Wenn dieser Fehler weiterhin auftritt, versuchen Sie, den Roboter neu zu starten. 3. Wenn das Problem weiterhin besteht, wenden Sie sich bitte an den Kundendienst.

Problem	Ursache	Lösung
Schneidkopf kann sich nicht drehen.	Der Schneidkopf kann sich nicht normal drehen oder es liegt ein Problem mit dem Messermotor vor.	<ol style="list-style-type: none"> 1. Reinigen Sie den Schneidkopf und versuchen Sie es erneut. 2. Prüfen Sie, ob das umliegende Gras höher als 10 cm ist. Sie können den Rasen vorher mit einem Schiebemäher mähen, um eine Blockierung des Schneidkopfes durch hohes Gras zu vermeiden. 3. Prüfen Sie, ob sich Wasser unter dem Schneidkopf befindet. Sollte dies der Fall sein, bringen Sie den Roboter an einen trockenen Ort und versuchen Sie es erneut. 4. Wenn dieser Fehler weiterhin auftritt, versuchen Sie, den Roboter neu zu starten. 5. Wenn das Problem weiterhin besteht, wenden Sie sich bitte an den Kundendienst.
Stoßfänger-Fehler.	Der vordere Stoßfängersensor wird ständig angeregt.	<ol style="list-style-type: none"> 1. Prüfen Sie, ob der A1 Pro irgendwo festgefahren ist. 2. Klopfen Sie leicht auf den Stoßfänger und stellen Sie sicher, dass er zurückfedert. 3. Wenn dieser Fehler weiterhin auftritt, versuchen Sie, den Roboter neu zu starten. 4. Wenn das Problem weiterhin besteht, wenden Sie sich bitte an den Kundendienst.
Fehler beim Aufladen.	A1 Pro dockt an die Ladestation an, aber der Ladestrom oder die Ladespannung ist fehlerhaft.	<ol style="list-style-type: none"> 1. Prüfen Sie, ob die Ladestation richtig mit dem Stromnetz verbunden ist. 2. Prüfen Sie, ob die Ladekontakte am A1 Pro und an der Ladestation sauber sind. 3. Versuchen Sie nach der Überprüfung, den A1 Pro erneut an die Ladestation anzudocken. 4. Wenn das Problem weiterhin besteht, wenden Sie sich bitte an den Kundendienst.
Akkutemperatur zu hoch.	Die Akkutemperatur beträgt $\geq 60^{\circ}\text{C}$.	<ol style="list-style-type: none"> 1. Verwenden Sie den A1 Pro bei einer Umgebungstemperatur unter 40°C. Sie können warten, bis die Akkutemperatur automatisch sinkt. 2. Sie können den A1 Pro ausschalten und nach einer Zeit neu starten. 3. Wenn das Problem weiterhin besteht, wenden Sie sich bitte an den Kundendienst.
Lidar ist blockiert.	LiDAR ist blockiert (z.B. weil die LiDAR-Schutzabdeckung nicht entfernt wurde).	<ol style="list-style-type: none"> 1. Entfernen Sie die Schutzabdeckung des Lidars und versuchen Sie es erneut. 2. Wenn das Lidar auf der Oberseite des Roboters stark verschmutzt ist, reinigen Sie es mit einem fusselfreien Tuch und versuchen Sie es erneut.

Problem	Ursache	Lösung
LiDAR-Fehlfunktion.	LiDAR ist stark verschmutzt oder es liegt ein Sensorfehler vor.	<ol style="list-style-type: none"> 1. Prüfen Sie, ob das Lidar verschmutzt ist. Reinigen Sie es ggf. und versuchen Sie es dann erneut. 2. Wenn dieser Fehler weiterhin auftritt, versuchen Sie, den Roboter neu zu starten. 3. Wenn das Problem weiterhin besteht, wenden Sie sich bitte an den Kundendienst.
A1 Pro ist verloren.	Ortung ist verloren gegangen.	<ol style="list-style-type: none"> 1. Prüfen Sie, ob das LiDAR auf der Oberseite von A1 Pro verschmutzt ist. Verschmutzung kann die Ortung beeinträchtigen. 2. Bewegen Sie den A1 Pro manuell an eine freie Stelle auf der Karte und versuchen Sie, die Aufgabe erneut zu starten. 3. Wenn die Ortung nicht wiederhergestellt werden kann, steuern Sie den A1 Pro per Fernbedienung über die App zurück zur Ladestation, und starten Sie dann die Mähauflage.
Sensorfehler.	Sensorfehler.	<ol style="list-style-type: none"> 1. Starten Sie den A1 Pro neu und versuchen Sie es noch einmal. 2. Wenn das Problem weiterhin besteht, wenden Sie sich bitte an den Kundendienst.
A1 Pro befindet sich in der Sperrzone.	A1 Pro befindet sich in der Sperrzone.	<ol style="list-style-type: none"> 1. Bewegen Sie den Roboter manuell aus der Sperrzone und versuchen Sie es erneut. 2. Bewegen Sie den Roboter über die App ferngesteuert aus der Sperrzone, und versuchen Sie es erneut.
A1 Pro befindet sich außerhalb der Karte.	A1 Pro befindet sich außerhalb der Karte.	<ol style="list-style-type: none"> 1. Bewegen Sie den Roboter manuell innerhalb der Karte und versuchen Sie es erneut. 2. Steuern Sie den Roboter über die App zurück in die Karte, und versuchen Sie es erneut.
Notstopp ist aktiviert.	Die Stopptaste am A1 Pro ist gedrückt.	Geben Sie den PIN-Code am A1 Pro ein, um den Notstopp zu deaktivieren.
Akkuladestand niedrig. A1 Pro wird bald abgeschaltet.	Akkustand $\leq 10\%$	Docken Sie A1 Pro zum Aufladen in die Ladestation an.

Problem	Ursache	Lösung
A1 Pro befindet sich außerhalb der Karte. Diebstahlgefahr.	A1 Pro befindet sich außerhalb der Karte.	<ol style="list-style-type: none"> 1. Geben Sie zur Verifizierung den PIN-Code ein. 2. Sie können den Alarm bei Verlassen der Karte in den Einstellungen der App deaktivieren.
Rückkehr zur Ladestation fehlgeschlagen.	A1 Pro kann beim Zurückkehren zur Ladestation die Ladestation nicht finden.	<ol style="list-style-type: none"> 1. Prüfen Sie, ob der A1 Pro durch Hindernisse blockiert wird. Entfernen Sie die Hindernisse und versuchen Sie es erneut. 2. Steuern Sie den A1 Pro per Fernbedienung über die App zurück zur Ladestation.
Andocken an der Ladestation fehlgeschlagen.	A1 Pro findet die Ladestation, kann aber nicht andocken.	<ol style="list-style-type: none"> 1. Prüfen Sie, ob die Reflexionsfolien an der Ladestation verschmutzt oder blockiert sind. 2. Prüfen Sie, ob sich Hindernisse vor der Ladestation befinden. 3. Prüfen Sie, ob die Ladestation verschoben wurde. 4. Überprüfen Sie, ob die Basisplatte mit dickem Schlamm bedeckt ist. 5. Überprüfen Sie, ob die Station Strom hat. 6. Helfen Sie dem Roboter, manuell oder mit der Fernbedienung in die Station zu docken.
Ortung fehlgeschlagen.	Ortung schlägt fehl, wenn A1 Pro versucht, eine Mähaufgabe zu starten.	<ol style="list-style-type: none"> 1. Das Lidar kann blockiert sein. Bewegen Sie den Roboter manuell an eine flache und offene Stelle auf der Karte und versuchen Sie erneut, die Aufgabe zu starten. 2. Wenn Sie weiterhin auf diesen Fehler stoßen, versuchen Sie es bitte erneut, nachdem der Roboter in der Station angedockt ist.
Die Akkutemperatur ist hoch.	Die Akkutemperatur beträgt $\geq 45^{\circ}\text{C}$.	<ol style="list-style-type: none"> 1. Der Ladevorgang kann fehlschlagen, wenn die Akkutemperatur über 45°C liegt. 2. Verwenden Sie den A1 Pro bei einer Umgebungstemperatur unter 40°C.
Die Akkutemperatur ist niedrig.	Die Akkutemperatur beträgt $\leq 6^{\circ}\text{C}$.	<ol style="list-style-type: none"> 1. Der Ladevorgang kann fehlschlagen, wenn die Akkutemperatur unter 6°C liegt. 2. Verwenden Sie den A1 Pro bei einer Umgebungstemperatur über 6°C.
Der Schneidkopf kann sich nicht nach oben oder unten bewegen.	Der Schneidkopf kann sich nicht nach oben oder unten bewegen.	<ol style="list-style-type: none"> 1. Reinigen Sie den Schneidkopf und versuchen Sie es erneut. 2. Wenn der Fehler weiterhin auftritt, versuchen Sie, den Roboter neu zu starten. 3. Wenn das Problem weiterhin besteht, wenden Sie sich bitte an den Kundendienst.
Nicht ausreichend Platz zum Drehen vor der Station.	Nicht ausreichend Platz zum Drehen vor der Station.	<ol style="list-style-type: none"> 1. Wenn die Station am Rand der Karte oder darauf platziert ist, stellen Sie sicher, dass zwischen dem vorderen Bereich der Basisplatte der Station und der Kartenbegrenzung mindestens 1 m freier Raum ist; andernfalls kann der Roboter möglicherweise nicht wenden. 2. Verlegen Sie die Station oder ändern Sie die Karte in der Kartenbearbeitung.

14 Technische Daten

Allgemeine Informationen	Produktbezeichnung	Dreame Mähroboter
	Marke	Dreame
	Abmessungen	643 × 436,5 × 261 mm (25,3 × 17,2 × 10,2 Zoll)
	Gewicht (inkl. Akku)	12.6 kg (27.7 lbs)
Mähbetrieb	Empfohlene Arbeitsfläche	2000 m ² (0,5 Acker)
	Mähleistung	Standard: 120 m ² (0,03 Acker)/Std. Effizient: 200 m ² (0,05 Acker)/Std.
	Mähhöhe	30~70 mm (1,2~2,8 Zoll)
	Mähbreite	22 cm (8,7 Zoll)
	Ladedauer ^[1]	65 Minuten
Geräusch-emissionen	Schallleistungspegel LWA	64 dB(A)
	Messunsicherheiten der Schallleistung KWA	3 dB(A)
	Schalldruckpegel LpA	56 dB(A)
	Messunsicherheiten beim Schalldruck KpA	3 dB(A)
Betriebs-bedingungen	Betriebstemperatur	0~50° C (32~122° F) Empfohlen: 10~35° C (50~95° F)
	Temperatur bei Langzeitlagerung	-10~35° C (14~95° F) Empfohlen: 0~25° C (32~77° F)
	IP-Einstufung	Mäher: IPX6 Ladestation: IPX4 Netzteil: IP67
	Maximale Steigung der Mähfläche	45% (24°)
Verbindungs-möglichkeiten	Bluetooth-Frequenzbereich	2400,0-2483,5 MHz
	WLAN	2,4 GHz WLAN (2400-2483,5M)
	Maximale HF-Leistung	802.11b:16±2dBm(@11Mbps) 802.11g:14±2dBm(@54Mbps) 802.11n:13±2dBm(@HT20,HT40) Bluetooth: 7.49dBm
	Link-Dienst (optional) ^[2]	LTE-FDD: B1/3/7/8/20/28A LTE-TDD: B38/40/41
	GNSS (optional) ^[3]	GPS/GLONASS/BDS/Galileo/QZSS

Antriebsmotor	Fahrgeschwindigkeit bei Fernbedienung	0.45 m/s
	Fahrgeschwindigkeit beim Mähen	Standard: 0,35 m/s Effizient: 0,6 m/s
Messermotor	Geschwindigkeit	2200/min
Akku (Mäher)	Akku-Typ	Lithium-Ionen-Akku
	Nennkapazität	5000 mAh
	Nennspannung	18 V
Netzteil	Eingangsspannung	100~240 V
	Ausgangsspannung	20 V
	Stromstärke am Ausgang	3 A
Ladestation	Eingangsspannung	20 V
	Ausgangsspannung	20 V
	Stromaufnahme	3 A
	Stromstärke am Ausgang	3 A

[1] Die Ladedauer gilt, wenn A1 Pro bei niedrigem Akkuladestand automatisch zur Ladestation zurückkehrt.

[2] Erfordert die Installation des Link-Moduls.

[3] Erfordert die Installation des Link-Moduls.

Hinweis: Die technischen Daten können sich im Zuge der ständigen Verbesserung unserer Produkte ändern. Die aktuellsten Daten finden Sie auf unserer Website unter global.dreametech.com.

Traduction de l'instruction originale

Sommaire

1	Consignes de sécurité	P77
2	Qu'est-ce qui est dans la boîte	P82
3	Présentation de produit	P83
4	Installation	P84
5	Préparations avant utilisation	P86
6	Mappage de votre jardin	P89
7	Opération	P95
8	Application Dreamehome	P100
9	Entretien	P102
10	Batterie	P107
11	Stockage d'hiver	P107
12	Transport	P107
13	Résolution des pannes	P108
14	Caractéristiques	P112

1 Consignes de sécurité

1.1 Consignes générales de sécurité

- Avant d'utiliser le produit, lisez attentivement et comprenez le manuel d'utilisation.
- Utiliser uniquement les outils recommandés par Dreame avec le produit. Toute autre utilisation n'est pas appropriée.
- Les réglementations locales peuvent limiter l'âge de l'opérateur. Les enfants, les personnes ayant des capacités physiques, sensorielles ou mentales réduites, les personnes manquant d'expérience et de connaissances ou les personnes non familiarisées avec ces instructions ne doivent jamais utiliser la machine.
- Lorsque la machine fonctionne, ne laissez pas les enfants se trouver à proximité ou jouer avec elle.
- N'utilisez pas le produit dans des zones où les gens ignorent sa présence.
- Ne l'exécutez pas lorsque vous utilisez manuellement le produit avec l'application Dreamehome. À tout moment, marchez, surveillez vos pas sur les pentes et maintenez votre équilibre.
- Évitez d'utiliser le produit lorsqu'il y a des personnes, en particulier des enfants ou des animaux, dans la zone de travail.
- Si vous utilisez le produit dans des lieux publics, placez des panneaux d'avertissement autour de la zone de travail avec le texte suivant : "Avertissement!" La tondeuse à gazon est un outil automatique! Évitez de toucher la machine! Observez les enfants!
- Portez des chaussures robustes et un pantalon long lorsque vous utilisez le produit.
- Pour éviter tout dommage au produit et tout accident impliquant des véhicules ou des personnes, ne placez pas de zones de travail ou de voies de transport sur les voies publiques.
- Ne touchez pas les pièces dangereuses en mouvement, telles que le disque de coupe, avant qu'il ne soit complètement arrêté.
- Demandez de l'aide médicale en cas de blessure ou d'accident.
- Mettez le produit sur OFF avant d'éliminer les blocages, d'effectuer la maintenance ou d'examiner le produit. Si le produit vibre anormalement, inspectez-le pour détecter tout dommage avant de redémarrer. N'utilisez pas le produit si des pièces sont défectueuses.
- Tant qu'un câble n'est pas débranché de la prise de courant, ne le connectez pas et ne le touchez pas. Débranchez la fiche de la prise de courant si le câble est endommagé pendant le fonctionnement. Le personnel de service doit remplacer un câble usé ou endommagé car il augmente le risque de chocs électriques.
- N'installez pas le câble principal dans les zones où le produit risque de couper. Suivez les instructions fournies pour l'installation du câble.
- Pour charger le produit, utilisez uniquement la station de recharge incluse dans l'emballage. Une utilisation incorrecte peut provoquer un choc électrique, une surchauffe ou une fuite de liquide corrosif de la batterie. En cas de fuite d'électrolyte, nettoyez avec de l'eau ou un agent neutralisant, et si le liquide corrosif entre en contact avec vos yeux, consultez un médecin.
- Lors du raccordement du câble principal à la prise de courant, utilisez un dispositif à courant résiduel (RCD) avec un courant de déclenchement maximum de 30 mA.
- Utilisez uniquement des piles d'origine recommandées par Dreame . La sécurité du produit ne peut être garantie avec des batteries non originales. N'utilisez pas de piles non rechargeables.
- Pour éviter d'endommager les rallonges qui pourraient entraîner un contact avec des pièces sous tension, gardez les rallonges à l'écart des pièces dangereuses en mouvement.
- Les illustrations utilisées dans ce document sont uniquement à titre de référence. Veuillez vous référer aux produits réels.
- Ne poussez pas le produit rapidement ou en forçant car vous risquez de l'endommager.
- Pour respecter les exigences d'exposition aux RF, une distance de séparation de 35 cm entre l'appareil et la personne doit être maintenue.
- Pour recharger la batterie utilisez uniquement le bloc d'alimentation amovible fourni avec l'appareil.

1.2 Consignes de sécurité pour l'installation

- Évitez d'installer la borne de recharge dans des zones où des personnes pourraient trébucher dessus.
- N'installez pas la borne de recharge dans des zones où il existe un risque d'eau stagnante.
- La station de recharge et ses accessoires ne doivent pas être installés à moins de 60 cm/24 po de tout matériau combustible. Un incendie peut survenir en cas de dysfonctionnement ou de surchauffe de la station de charge et de l'alimentation électrique.
- Pour les utilisateurs résidant aux États-Unis ou au Canada : Il existe un risque de choc électrique si vous installez l'alimentation électrique à l'extérieur. Assurez-vous que le capuchon de la fiche de fixation est inséré ou retiré avant de l'installer dans une prise GFCI (RCD) couverte de classe A avec un boîtier résistant aux intempéries.

1.3 Consignes de sécurité pour le fonctionnement

- Gardez vos mains et vos pieds éloignés des lames rotatives. Ne placez pas vos mains ou vos pieds à proximité ou en dessous du produit lorsqu'il est allumé.
- Ne soulevez pas et ne déplacez pas le produit lorsqu'il est allumé.
- Utilisez le mode stationnement ou réglez le produit sur OFF lorsqu'il y a des personnes, en particulier des enfants ou des animaux, dans la zone de travail.
- Assurez-vous que la pelouse ne contient aucun objet comme des pierres, des branches, des outils ou des jouets. Sinon, lorsqu'elles entrent en contact avec un objet, les lames peuvent être endommagées.
- Ne placez pas d'objets sur le produit ou la station de charge.
- N'utilisez pas le produit si le Bouton d'arrêt ne fonctionne pas.
- Évitez les collisions entre le produit et des personnes ou des animaux. Si une personne ou un animal se trouve sur le chemin du produit, arrêtez-le immédiatement.
- Réglez toujours le produit sur OFF lorsqu'il n'est pas utilisé.
- N'utilisez pas le produit simultanément avec un arroseur escamotable. Utilisez la fonction Programmation pour vous assurer que le produit et l'arroseur escamotable ne fonctionnent pas en même temps.
- Évitez de placer un canal de connexion là où des arroseurs escamotables sont installés.
- N'utilisez pas le produit si la zone de travail est couverte d'eau stagnante, par exemple en cas de forte pluie ou d'accumulation d'eau.

1.4 Consignes de sécurité pour l'entretien

- Réglez le produit sur **OFF** lors de la maintenance.
- Débranchez la fiche de la borne de recharge ou retirez le dispositif de désactivation avant de nettoyer ou d'effectuer l'entretien de la borne de recharge.
- N'utilisez pas de nettoyeur haute pression ni de solvants pour nettoyer le produit.
- Assurez-vous que le produit est posé sur le sol dans son orientation habituelle et non à l'envers après le lavage.
- Le produit ne doit pas être inversé pour nettoyer le châssis. Si vous le tournez à l'envers à des fins de nettoyage, assurez-vous qu'il retrouve sa bonne orientation. Cela est fait pour éviter que l'eau ne pénètre dans le moteur et ne perturbe son fonctionnement normal.

1.5 Sécurité de la batterie

Si les batteries lithium-ion sont démontées, court-circuitées, exposées à l'eau, au feu ou à des températures élevées, elles peuvent exploser ou provoquer un incendie. Évitez toute forme d'abus électrique ou mécanique et manipulez-les avec précaution. Conservez-les à l'abri de la lumière ultraviolette.

1. Utilisez uniquement le chargeur de batterie et l'alimentation électrique fournis par le fabricant. L'utilisation d'un chargeur et d'une alimentation inappropriés peut provoquer des chocs électriques et/ou une surchauffe.

2. N'essayez pas de réparer ou de modifier les batteries! Les blessures graves causées par une explosion ou un choc électrique peuvent entraîner des tentatives de réparation. Les électrolytes libérés sont corrosifs et toxiques en cas de fuite.






3. Ces appareils ont des piles qui ne peuvent être remplacées que par des personnes qualifiées.

1.6 Risques résiduels

Lors du remplacement des lames, portez des gants de protection pour éviter les blessures.

1.7 Symbols and Decals

	<p>AVERTISSEMENT - Avant d'utiliser la machine, lisez attentivement les instructions d'utilisation.</p>
	<p>AVERTISSEMENT - Lors de l'utilisation, maintenez une distance de sécurité avec la machine.</p>
	<p>AVERTISSEMENT - Gardez une distance de sécurité par rapport à la machine lors de l'utilisation.</p>
	<p>AVERTISSEMENT - Évitez de monter sur la machine.</p>
	<p>AVERTISSEMENT - Ce produit ne doit pas être jeté avec les ordures ménagères ordinaires. Assurez-vous que le produit est recyclé en conformité avec les lois locales.</p>

	Ce produit est conforme aux directives CE applicables.
	Classe III
	Avant de charger, lisez les instructions.
	Courant continu
	Classe II

UTILISATION PRÉVUE

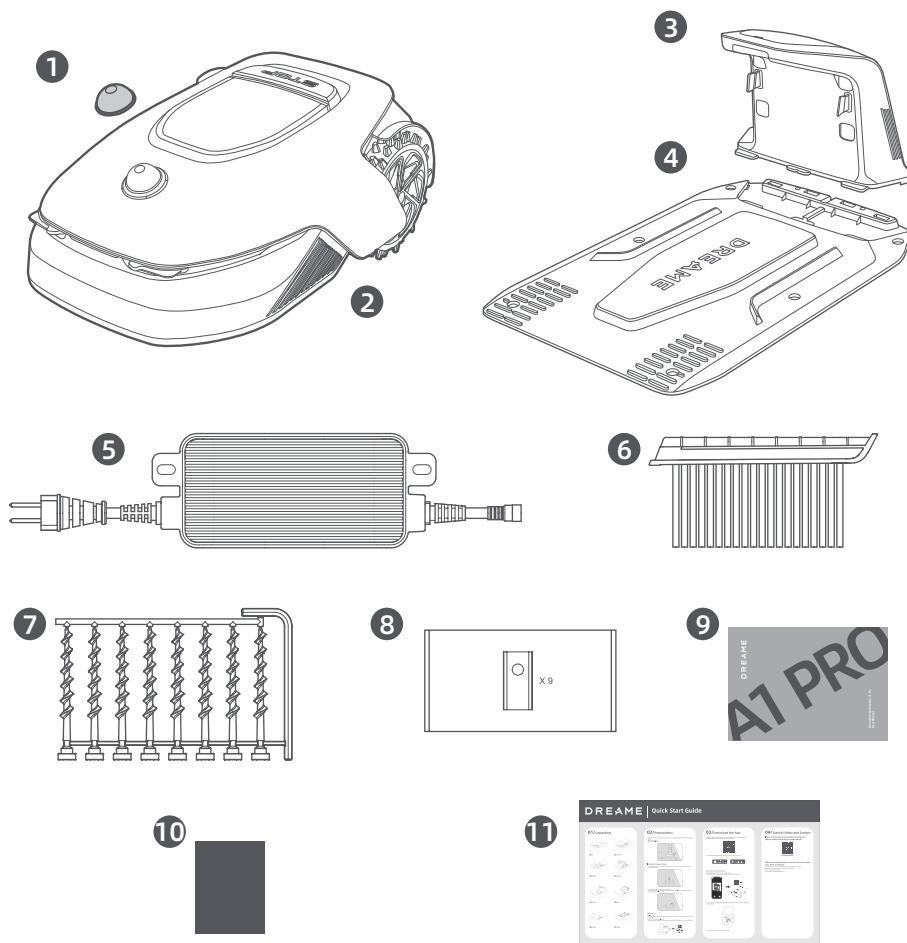
Le produit de jardin est destiné à la tonte des pelouses domestiques. Il est conçu pour tondre fréquemment, maintenant une pelouse plus saine et plus belle que jamais. En fonction de la taille de votre pelouse, votre tondeuse peut être programmée pour fonctionner à tout moment ou à n'importe quelle fréquence. Il est impossible de l'utiliser pour creuser, balayer ou déneiger.



Par la présente, Dreame Trading (Tianjin) Co., Ltd. certifie que le modèle d'équipement radio Dreame Roboticmower MLLA7110 est conforme à la Directive 2014/53/UE. Le texte intégral de la déclaration de conformité UE est disponible à l'adresse Internet suivante : <https://global.dreametech.com>

Pour le mode d'emploi électronique détaillé, connectez-vous à <https://dreametech.zendesk.com/hc/en-us/categories/7968864195993-User-Manual>

2 Qu'est-ce qui est dans la boîte



❶ Couverture de protection du lidar

❷ A1 Pro

❸ Tour de chargement
(avec 10m rallonge)

❹ Plaque de base

❺ Alimentation

❻ Brosse de nettoyage

❼ Vis × 8, Clé hexagonale

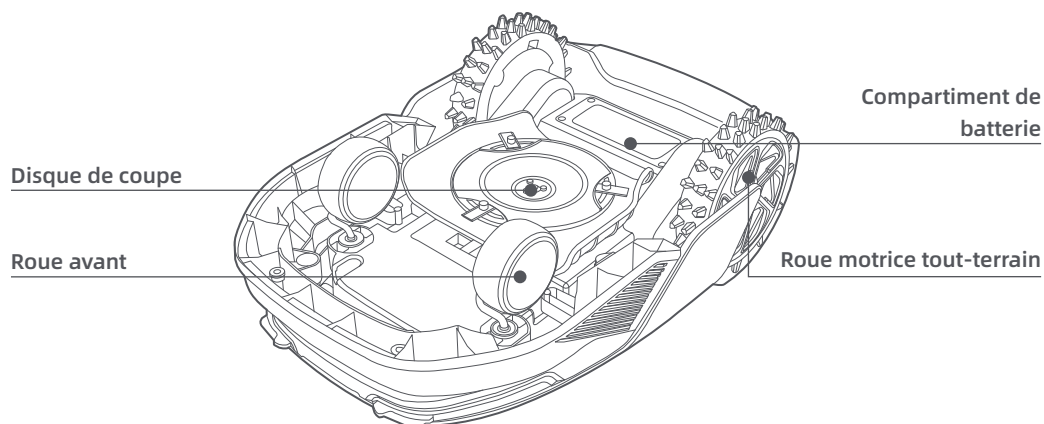
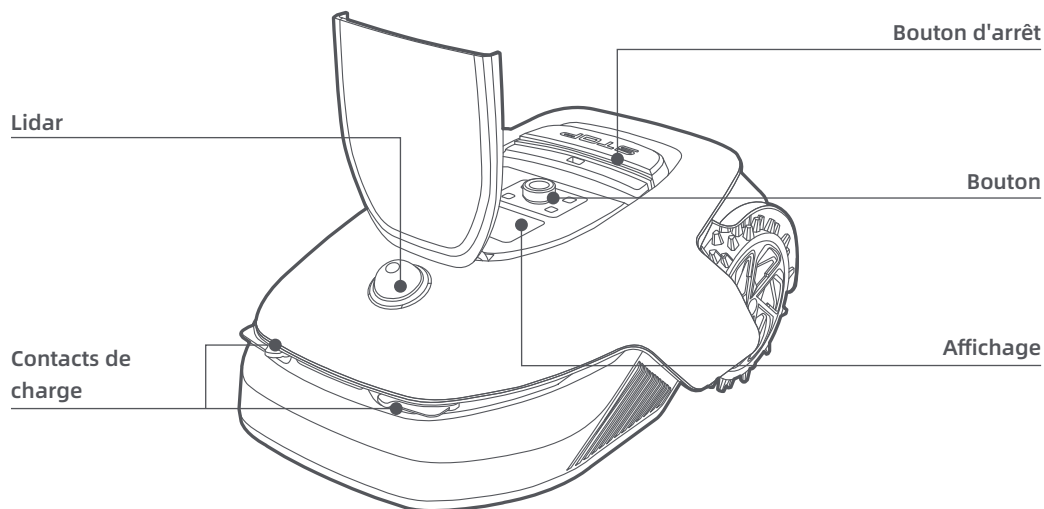
❽ Lame de rechange × 9

❾ Manuel d'utilisation

❿ Chiffon non pelucheux

⓫ Guide de démarrage rapide

3 Présentation de produit



Capteur

Nom	Description
Lidar	Obtient des informations relatives à l'environnement et facilite le positionnement de l'A1 Pro, l'évitement des obstacles et la détection de l'eau et de la saleté. Plage de détection : 70 cm avec angle de 360° à l'horizontale et 59° à la verticale.

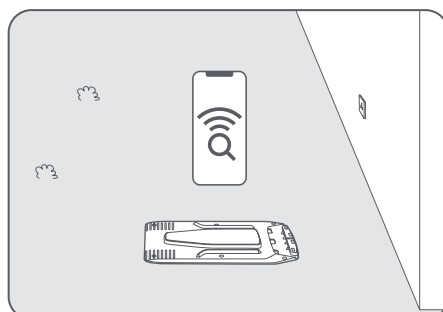
4 Installation

4.1 Sélectionner un emplacement approprié

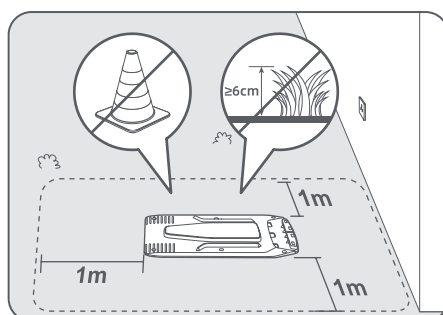
- Placer la station de chargement sur une surface plane en bordure de pelouse et à proximité d'une prise d'alimentation. Il est recommandé de placer la station de chargement dans une zone avec une bonne force du signal Wi-Fi.

Remarque : Utiliser votre appareil portable pour aider à contrôler la force du signal Wi-Fi de l'emplacement. Une bonne force du signal Wi-Fi améliore la stabilité de la connexion entre A1 Pro et l'application.

Remarque : Assurez-vous que le terrain est suffisamment souple pour permettre la pose des vis.

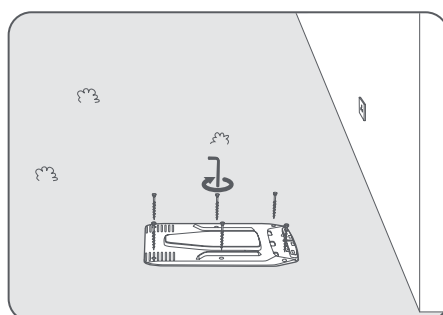


- Garder au moins 1 m d'espace libre sans obstacle à gauche, à droite et devant la station de chargement. Assurez-vous que l'herbe autour de l'emplacement est inférieure à 6 cm. Si l'herbe est plus haute, veuillez d'abord la tondre avec une tondeuse. Si l'herbe est haute, l'A1 Pro pourrait avoir des difficultés à retourner à la station de chargement.

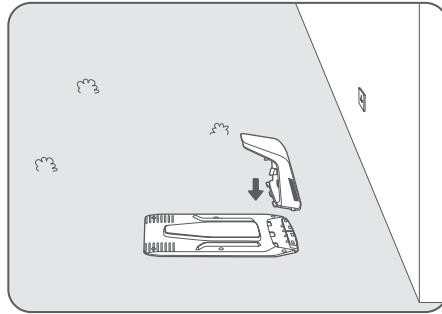


4.2 Installer la station de chargement

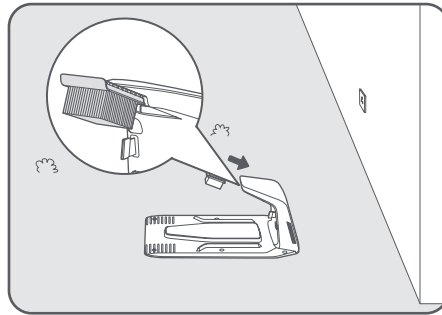
- Fixer la plaque de base au sol avec les vis fournies en utilisant la clé hexagonale.



- 2 Insérer la tour de chargement sur la plaque de base jusqu'à ce que vous entendiez le clic.

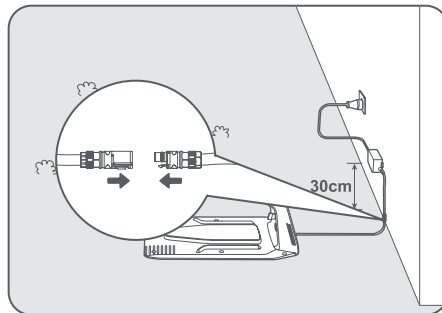


- 3 Insérer la brosse de nettoyage dans la tour de chargement en alignant la languette sur la rainure.



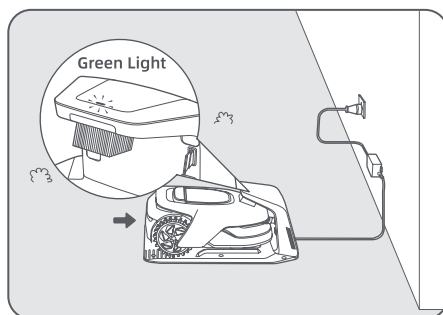
- 4 Raccorder l'alimentation à la rallonge et la brancher sur la prise d'alimentation. Garder l'alimentation à au moins 30 cm au-dessus du sol.

Remarque : Le voyant LED sur l'appareil de chargement sera bleu fixe si l'appareil est sous tension.



- 5 Mettre l'A1 Pro dans la station de chargement pour le charger. Assurez-vous que les contacts de chargement sur l'A1 Pro et la station de chargement sont correctement raccordés.

Remarque : Le voyant lumineux clignotera en vert si l'A1 Pro se charge correctement dans la station de chargement.



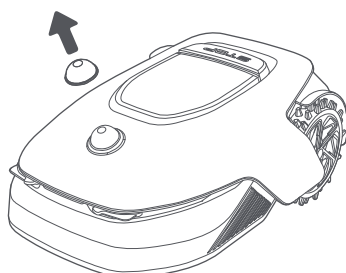
Voyant LED sur la station de chargement

Couleur de la lumière du voyant LED	Signification
Rouge clignotant/fixe	1. La station de chargement a un problème (par exemple, un problème d'intensité ou de tension de chargement).
	2. L'A1 Pro est ancré dans la station de chargement, mais le chargement est anormal (par exemple, les contacts de chargement sont en court-circuit).
Bleu fixe	La station de chargement est sous alimentation. L'A1 Pro n'est pas dans la station de chargement.
Clignotant vert	L'A1 Pro est en cours de chargement dans la station de chargement.
Vert fixe	L'A1 Pro est dans la station de chargement et complètement chargé.

5 Préparations avant utilisation

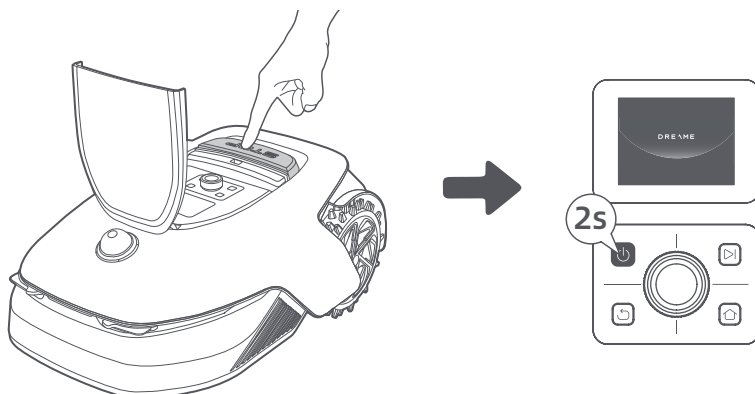
Quand l'A1 Pro est allumé la première fois, certains Paramètres de base doivent être faits avant que l'A1 Pro ne puisse commencer à travailler.

- Retirer le couvercle de protection du lidar.



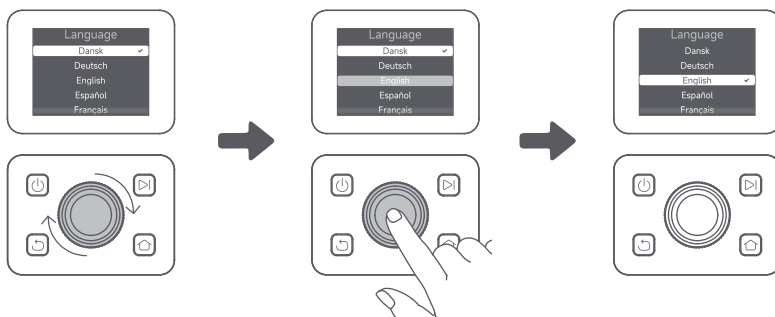
2 Appuyer sur le bouton Arrêt pour ouvrir le couvercle du panneau de contrôle. Appuyer sans relâcher sur le panneau de contrôle pendant 2 secondes pour allumer l'A1 Pro.

Remarque : L'A1 Pro s'allumera automatiquement lorsqu'il s'ancre dans la station de chargement.



3 Sélectionner la langue de préférence

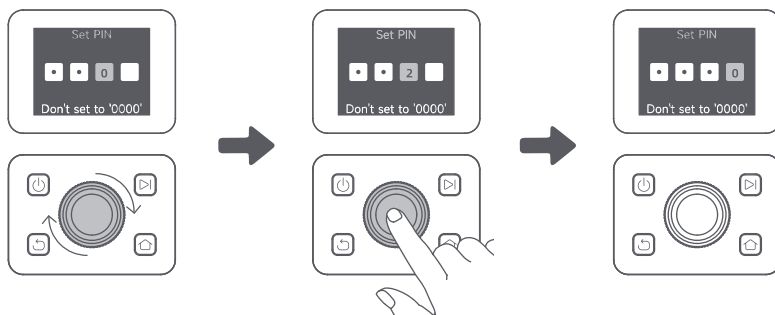
Tourner le bouton dans le sens horaire pour descendre, dans le sens anti-horaire pour monter, et sélectionner votre langue. Appuyer sur le bouton pour confirmer.



4 Spécifier le code PIN

1. Tourner le bouton pour sélectionner un nombre entre 0 et 9. Le tourner dans le sens horaire pour augmenter le nombre de 0 à 9, et dans le sens anti-horaire pour le diminuer. Appuyer sur le bouton pour régler le chiffre suivant. Pour modifier le chiffre précédent, tourner le bouton dans le sens anti-horaire jusqu'à ce que le nombre arrive à 0 et tourner une fois de plus.

Remarque : Ne pas régler le code PIN sur « 0000 ».



2. Entrer de nouveau le code PIN pour terminer le réglage du code PIN.

Remarque : Si les deux mots de passe ne correspondent pas, veuillez régler de nouveau le mot de passe.

5 Raccorder l'A1 à Internet

Scanner le QR code pour télécharger l'application Dreamehome sur votre téléphone portable. Après l'installation, créez un compte et connectez-vous.



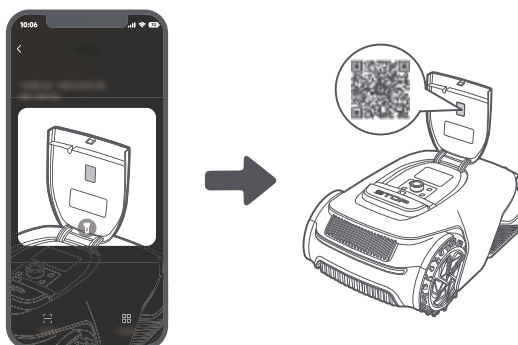
Vous pouvez également télécharger l'application Dreamehome de l'App Store ou Google Play.



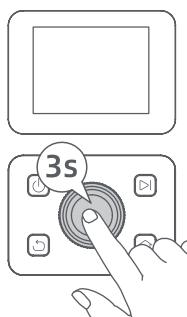
1) Connexion Bluetooth

1. Activer la fonction Bluetooth sur votre appareil portable.

2. Scanner le QR code à l'intérieur du couvercle ou sélectionner manuellement l'A1 Pro via l'application.



3. Appuyer sans relâcher le bouton sur le panneau de contrôle pendant 3 secondes et l'A1 Pro entrera en mode d'association Bluetooth.



4. Associer l'A1 Pro avec votre téléphone portable via Bluetooth.

Remarque : Assurez-vous que votre téléphone portable est dans un rayon de 10 m de l'A1 Pro.

2) Connexion Wi-Fi

Assurez-vous que l'A1 Pro et votre téléphone portable sont sur le même réseau Wi-Fi. Suivez les instructions dans l'application pour compléter la connexion.

Remarque : Utiliser un réseau à bande unique avec une fréquence de 2,4 GHz ou un réseau à double bande avec une fréquence de 2,4/5 GHz.

Remarque : Vous pouvez aussi acheter le module de liaison pour contrôler l'A1 Pro à distance sans connexion Wi-Fi.

Comment dissocier l'A1 Pro ?

L'A1 Pro est automatiquement associé au compte Dreamehome une fois l'association terminée. Chaque dispositif ne peut être associée qu'à un seul compte. Il ne peut pas être associé à un autre compte en même temps.

Pour associer l'A1 Pro avec un nouveau compte, vous devez d'abord le dissocier. Vous pouvez aller dans «

Appareil » et appuyer sur Plus > Supprimer dans le coin supérieur droit pour dissocier l'appareil.

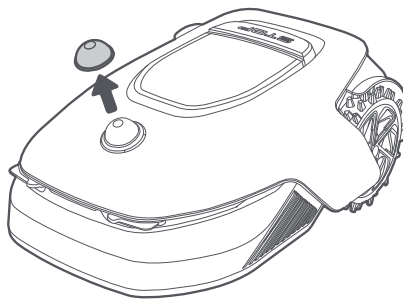
Comment exécuter la déconnexion de votre compte Dreamehome ou le supprimer ?

Pour vous déconnecter, aller sur Moi > Paramètres > Compte > Se déconnecter. Pour supprimer le compte, aller sur Moi > Paramètres > Compte > Supprimer le compte.

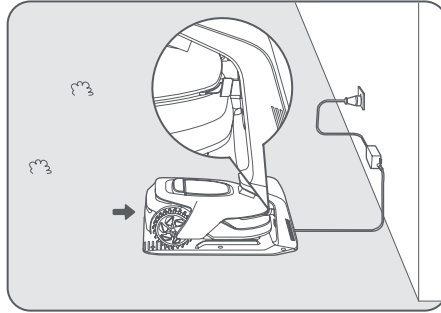
6 Mappage de votre jardin

Avant le mappage, contrôler ce qui suit :

- Le niveau de batterie de l'A1 Pro dépasse les 50 %.
- Le Couvercle de protection du lidar est retiré.

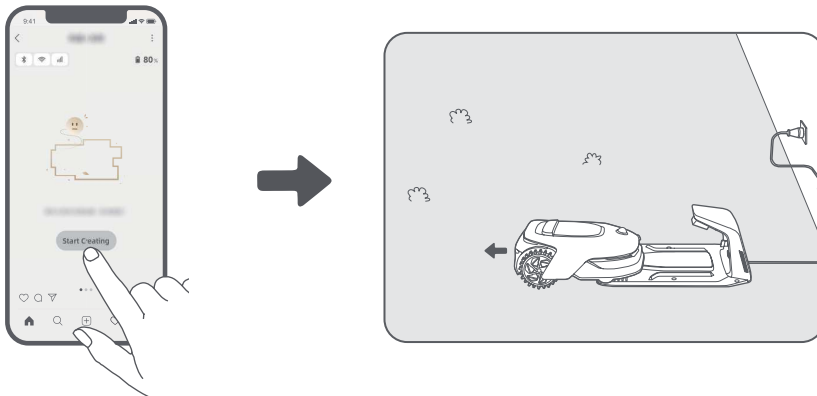


- A1 Pro se connecte correctement à la station de chargement.

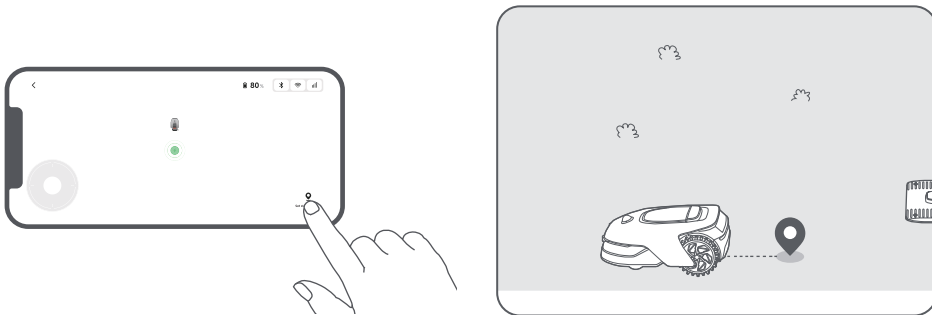


6.1 Créer la limite

- 1 Appuyez sur « Commencer à créer » via l'application et l'A1 Pro contrôlera le statut et le calibrage. Il quittera automatiquement la station de chargement pour exécuter le calibrage. Soyez prudent.



- 2 Télécommander l'A1 Pro vers la bordure de la pelouse et taper sur « Définir le point de départ » pour confirmer le point de démarrage de la limite.

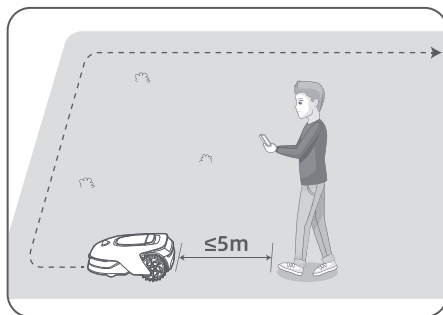


- 3 Télécommander l'A1 Pro pour se déplacer le long de la bordure de la pelouse pour créer la zone de travail. Lorsque l'A1 Pro est télécommandé pour créer la limite, ne pas oublier de :

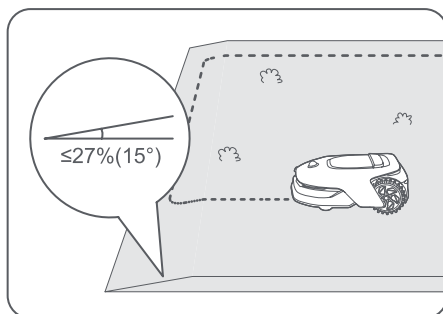
⚠ Mise en garde : Ne pas déplacer manuellement l'A1 Pro pendant la création de la limite, sans quoi le mappage pourrait échouer.

⚠ Mise en garde : Lorsque la cartographie commence via la télécommande, ne connectez pas l'A1 Pro à distance à la station de charge tant que la cartographie n'est pas terminée. Si ce n'est pas le cas, le LiDAR pourrait être bloqué, ce qui pourrait empêcher le mappage.

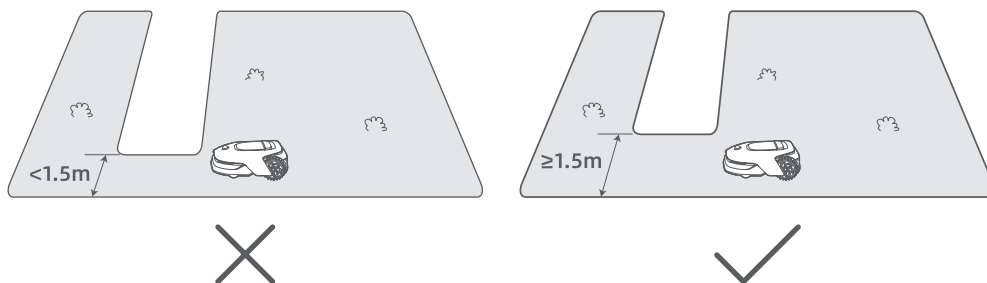
- Marcher dans les 5 m à l'arrière de l'A1 Pro lorsque la télécommande est utilisée ;



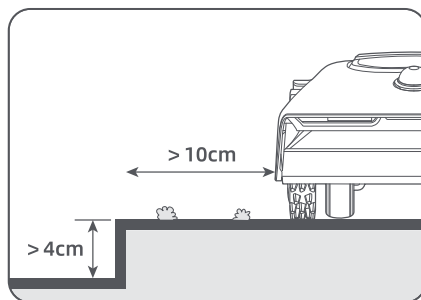
- Ne pas créer de limite sur une pente qui dépasse les **27 %** ;



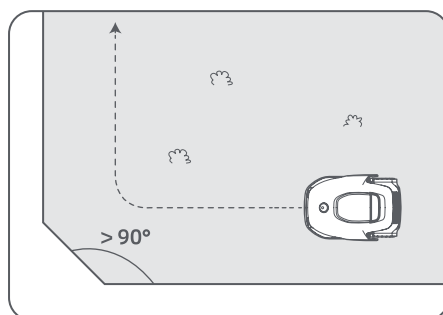
- Éviter de créer des limites à l'intérieur des corridors d'une largeur inférieure à **1.5 m** ;



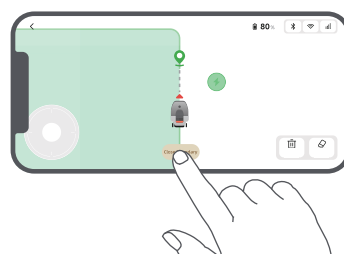
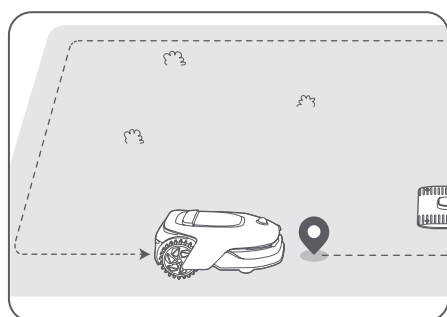
- En cas d'une différence de hauteur de plus de **4 cm** entre la bordure de la pelouse et le sol adjacent, garder l'AI Pro à au moins **10 cm** du bord de la pelouse ;



- Assurez-vous que les angles présentent une courbure de plus de 90°.

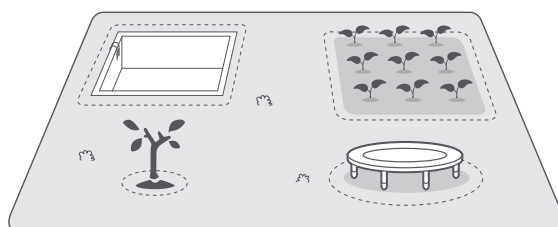


- 4 Lorsque l'A1 retourne à la place à 1 m à proximité du point de démarrage, vous pouvez taper sur « Fermer la délimitation » et la limite sera automatiquement complétée.



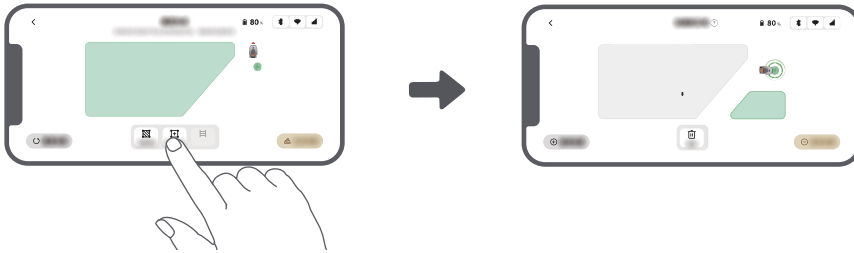
6.2 Définir la zone interdite

Bien que l'A1 Pro puisse automatiquement éviter les obstacles, il est toujours nécessaire de configurer les zones à risque de chute, telles que les piscines et les bacs à sable, comme des zones interdites. Pour les objets que vous voulez protéger (comme les parterres de fleurs, les trampolines, un terrain cultivé ou une racine d'arbre dénudée), veuillez les inclure dans la zone interdite. Vous pouvez télécommander l'A1 Pro pour créer des zones interdites via l'application, ou aller sur « Édition de la carte » pour tracer ou supprimer directement les zones interdites.



6.3 Définir plusieurs zones

Si la pelouse est séparée par des routes ou vous avez plusieurs pelouses isolées, vous pouvez taper sur « Zone de travail » dans l'application pour continuer à créer la zone de travail avec la télécommande. Vous pouvez également ajouter, supprimer ou modifier les zones dans « Édition de la carte » lorsque la carte est finie.

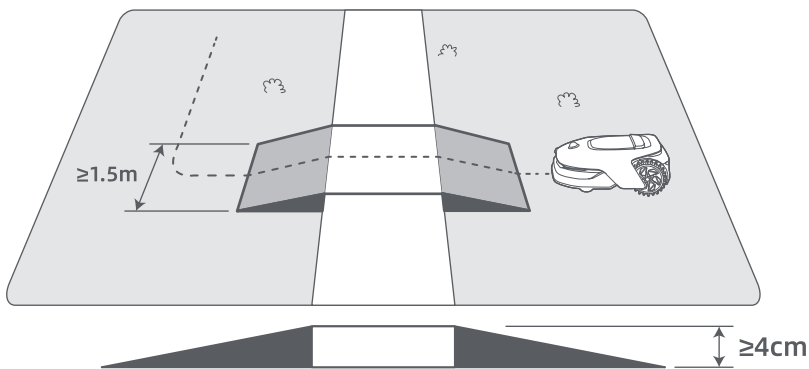


6.4 Définir la trajectoire

Pour les zones isolées, veuillez créer une trajectoire pour les raccorder entre elles. Les zones isolées sans une trajectoire seront inaccessibles à l'A1 Pro.

Remarque : par défaut, l'A1 Pro ne fait que se déplacer le long du chemin sans tondre l'herbe.

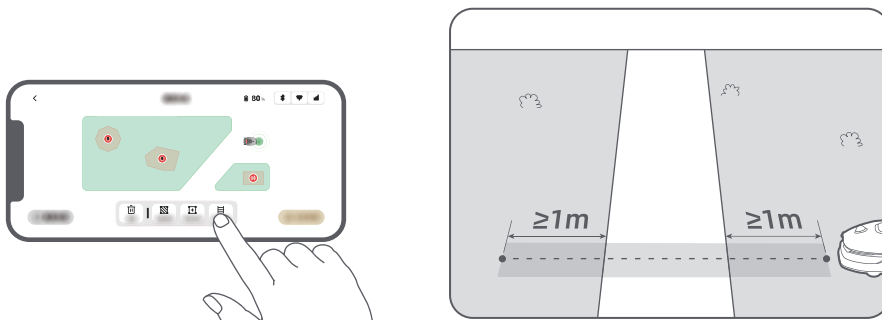
Remarque : Si votre pelouse est divisée par des passages de plus de 4 cm, placer un objet avec une pente d'une hauteur égale à celle du passage (une rampe par exemple).



• Raccorder entre elles deux zones de travail isolées

En cas de chevauchement entre les nouvelles zones et la zone originale, elles seront automatiquement combinées. Pour les zones isolées, veuillez créer des trajectoires pour les raccorder, sinon l'A1 Pro ne pourra pas y accéder. Taper sur « Trajectoire » et, en mode télécommande, créer une trajectoire avec l'A1 Pro.

Remarque : Assurez-vous que le début et la fin de la trajectoire sont compris dans la zone de travail. Prévoir au moins 1 m de distance entre le début/la fin de la trajectoire et la limite.

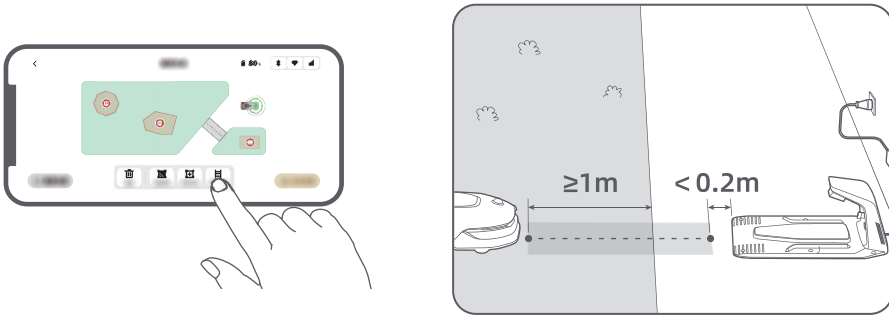


• Connecter la zone de travail et la station de chargement

Si votre station de chargement n'est pas dans la zone de travail, une trajectoire doit être créée pour la raccorder à la zone de travail. Taper « Trajectoire » et télécommander l'A1 Pro pour créer une trajectoire qui permet de retourner à la station.

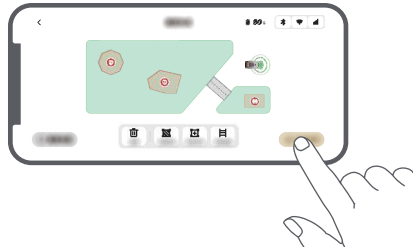
Remarque : Pendant la création d'une trajectoire, assurez-vous qu'une extrémité chevauche la zone de travail d'au moins 1 mètre (≥ 1 m) et que l'autre extrémité soit à moins de 0,2 mètre ($< 0,2$ m) devant la station.

⚠ Mise en garde : Lorsque vous créez des routes pour relier l'espace de travail à la station de charge, n'ancez pas A1 Pro à distance dans la station de charge. Si ce n'est pas le cas, le LiDAR pourrait être bloqué, ce qui pourrait empêcher le mappage.



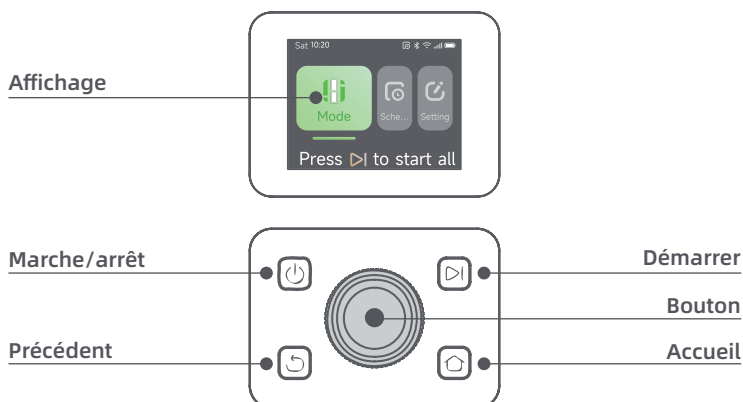
6.5 Finir la carte

Taper sur « Terminer la carte » lorsque les zones de travail, les trajectoires et les zones interdites sont terminées. L'A1 Pro doit être à l'intérieur de la carte lorsque celle-ci est terminée, sinon il vous sera demandé de le renvoyer à l'intérieur de la carte avec la télécommande.







7 Opération

7.1 Familiarisez-vous avec le panneau de contrôle



Icône	Statut
	Niveau de batterie (affiche le niveau actuel de la batterie)
	Chargement (l'A1 Pro est bien ancré dans la station de chargement)
	Bluetooth (l'A1 Pro est connecté sur l'application via Bluetooth.)
	Wi-Fi (l'A1 Pro est connecté à l'application via un réseau Wi-Fi)
	Service de liaison (le service de liaison est activé)
	Programme (une tâche est programmée pour aujourd'hui et elle n'a pas encore été lancée.)

Bouton	Fonction
Marche 	Assurez-vous que l'A1 Pro est hors de la station de chargement Appuyez sans relâcher sur le bouton Marche pendant 2 secondes pour allumer ou éteindre l'A1 Pro.
Démarrer 	Appuyez sur le bouton Démarrer et fermer le couvercle dans les 5 secondes pour commencer à tondre. La tâche sera annulée si le couvercle n'est pas fermé dans les 5 secondes.
Accueil 	Appuyez sur les bouton Accueil et fermer le couvercle dans les 5 secondes pour renvoyer l'A1 Pro à la station de chargement. La tâche sera annulée si le couvercle n'est pas fermé dans les 5 secondes.
Précédent 	Appuyez sur le bouton Précédent pour retourner à la page précédente.
Bouton	Appuyer sur le bouton pour confirmer la sélection dans les menus.
	Appuyez sans relâcher pendant 3 secondes pour activer le mode d'association Bluetooth sur l'A1 Pro.
	Tourner le bouton dans le sens horaire/anti-horaire pour parcourir le menu.
Démarrer + Précédent	Appuyez sur le bouton Démarrer , puis Précédent ensemble pendant 3 secondes pour remettre l'A1 Pro sur la configuration d'usine. Le code PIN ne sera pas effacé.
Accueil + Précédent	Appuyez sur le bouton Accueil , puis Précédent ensemble pendant 3 secondes pour rejoindre la page À propos dans les Paramètres. La page À propos disparaîtra dans les 5 secondes.
Bouton + Précédent	Appuyez sur le bouton , puis sur Précédent ensemble pendant 3 secondes pour remettre à zéro le code PIN.
Arrêt	Appuyer sur le bouton Arrêt pour ouvrir le couvercle du panneau de contrôle et arrêter l'A1 Pro. Le code PIN doit être entré sur le panneau de contrôle pour reprendre le fonctionnement de l'A1 Pro.

Présentation de la structure du menu

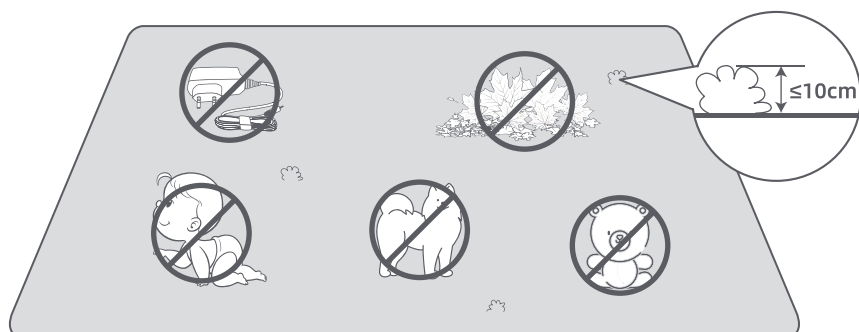


* Elle pourrait être actualisée, selon la version du logiciel.

7.2 Commencer à tondre pour la première fois

Conseils avant la tonte :

- Utiliser une tondeuse à pousser pour tondre l'herbe à une hauteur non supérieure à 10 cm.
- Éliminer les obstacles en incluant les débris, les piles de feuilles, les jouets, les câbles et les pierres et en les retirant de la pelouse. Assurez-vous qu'aucun enfant ou animal domestique ne soit sur la pelouse quand l'A1 Pro est en train de tondre.
- Remplir les trous dans la pelouse.
- Définir les préférences de tonte dans l'application à l'avance (par exemple, efficacité, hauteur et direction de tonte).



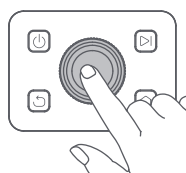
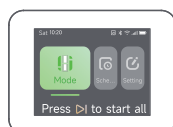
Appuyer sur le bouton **Démarrer** sur le panneau de contrôle et fermer le couvercle supérieur dans les 5 secondes. L'A1 Pro quittera la station de chargement et commencera à tondre. Vous pouvez aussi taper sur « Démarrer » dans l'application pour commencer à tondre.

• **Commencer via le panneau de commande**

1. Appuyer sur le bouton **Arrêter** pour ouvrir le couvercle et entrer le code PIN.



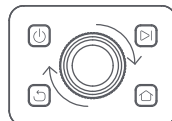
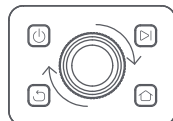
2. Sélectionner les « Modes » sur l'affichage et appuyer sur le bouton.



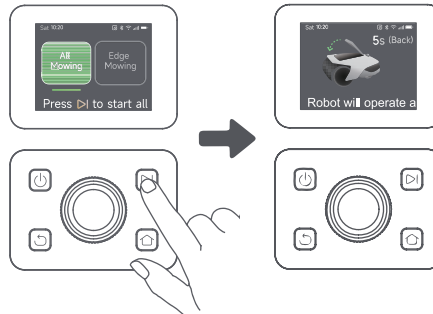
3. Tourner le bouton pour sélectionner le mode de tonte.



OR

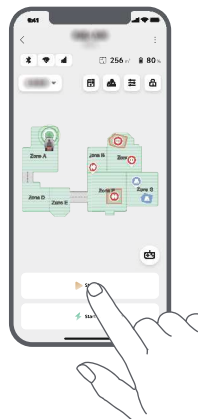


4. Appuyez sur le bouton « **Démarrer** » et fermer le couvercle supérieur dans les 5 secondes. L'A1 Pro commencera à tondre.



• Démarrer via l'application

1. Ouvrir l'application
2. Sélectionner un mode de tonte et taper sur « Démarrer » pour commencer à tondre.



7.3 Pause

Pour mettre en pause la tâche actuelle de tonte, vous pouvez enfoncer la touche **Arrêt** sur l'A1 Pro ou taper « Pause » dans l'application.

Remarque : L'A1 Pro sera verrouillé et ne peut pas commencer directement via l'application après avoir appuyé sur le bouton **Arrêt**. Pour reprendre la tonte, entrez d'abord votre code PIN sur le panneau de contrôle.

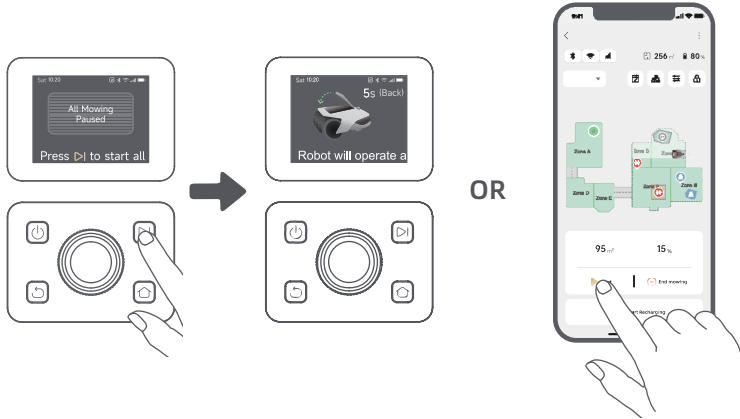


OR



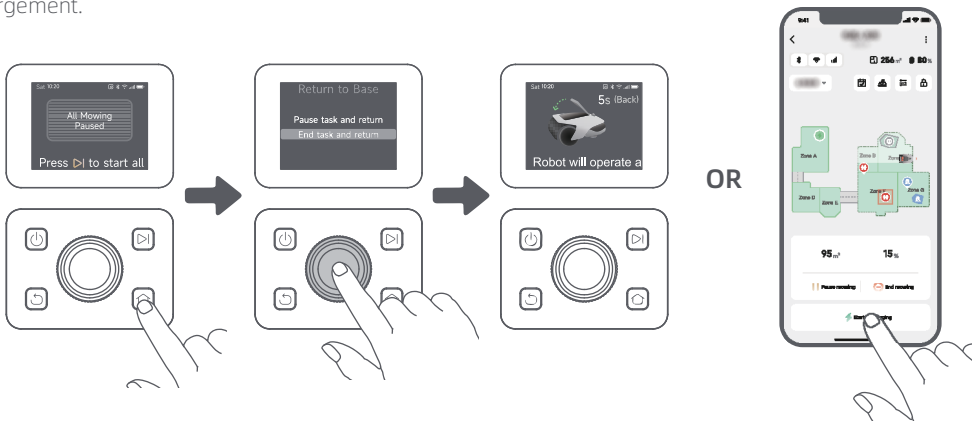
7.4 Reprendre

Pour reprendre la tâche lorsque l'A1 Pro est en pause, appuyer sur le bouton **Démarrer** et fermer le couvercle dans les 5 secondes. L'A1 Pro reprendra la tâche précédente de tonte. Vous pouvez aussi taper sur « Continuer » dans l'application pour reprendre la tâche de tonte.



7.5 Retourner à la station de chargement.

Pour arrêter la tâche de tonte et renvoyer l'A1 Pro à la station de chargement, confirmer votre code PIN sur le panneau de contrôle et appuyer sur le bouton **Accueil**. Confirmer la fin de la tâche et fermer le couvercle dans les 5 secondes. L'A1 Pro retournera automatiquement à la station de chargement pour le chargement. Vous pouvez aussi taper sur « Retourner à la station » dans l'application et l'A1 Pro retournera à la station de chargement.



8 Application Dreamehome

Où vous pouvez explorer davantage

L'application Dreamehome est plus qu'une télécommande. Vous pouvez faire beaucoup de choses avec l'application : compléter à distance les divers Paramètres, essayer différents modes de tonte, modifier librement la carte et régler les programmes de tonte. De plus, vous pouvez afficher la carte 3D de votre pelouse directement dans l'application.

8.1 Modes de tonte

A1 Pro offre diverses méthodes de tonte. Vous pouvez passer d'un mode à l'autre via l'application.



8.2 Programme

Après avoir terminé la première carte, l'A1 Pro crée automatiquement deux programmes hebdomadaires de tonte selon la taille de la pelouse le programme « Programme Pr & Été » (printemps/été) et le programme « Programme Aut & Hiv » (automne/hiver). Vous pouvez taper sur « Programme » dans l'application pour aller sur les Paramètres de détails du programme. Avec la fonction de programme, vous pouvez laisser tout le travail quotidien de tonte à l'A1 Pro. Il ne vous reste qu'à entretenir régulièrement l'A1 Pro.

Remarque : Si vous avez peur que l'A1 Pro ne vous dérange ou ne dérange les voisins lorsqu'il travaille de façon autonome pendant certaines heures de la journée, vous pouvez aller sur Paramètres > Ne pas déranger et régler les heures en mode Ne pas déranger dans l'application.



8.3 Verrou Enfant

Si vous avez peur que les enfants puissent mettre l'A1 Pro en marche, vous pouvez activer la fonction de « Verrouillage parental » dans l'application. En activant cette fonction, l'A1 Pro sera verrouillé si aucune opération n'est exécutée pendant 5 minutes lorsque le couvercle est ouvert.



8.4 Protection contre la pluie

Si vous avez peur que des conditions météorologiques graves ne puissent affecter le travail de tonte, vous pouvez activer la fonction de « Protection contre la pluie » dans les « Paramètres » sur le panneau de contrôle ou dans l'application. Lorsque cette fonction est activée, l'A1 Pro interrompt automatiquement la tonte et retourne à la station de chargement lorsqu'il pleut. Vous pouvez régler l'heure de protection contre la pluie dans l'application.



8.5 Protection contre le gel

Lorsque la température est inférieure à 6 ° C, les opérations de tonte provoqueront des dommages permanents à la pelouse. La batterie ne pourra pas se charger en raison du dispositif d'auto-protection. Vous pouvez activer la fonction de « Protection contre le gel » dans les « Paramètres » sur le panneau de contrôle ou dans l'application. La fonction permet à l'A1 Pro de mettre automatiquement la tonte en pause et de retourner à la station de chargement lorsque la température ambiante est inférieure à 6 ° C. Il reprendra automatiquement le travail quand la température sera supérieure à 11 ° C.



8.6 Alarme de levage

Lorsque cette fonction est activée, l'A1 Pro sera verrouillée et l'alarme se déclenchera immédiatement s'il est soulevé.



8.7 Alarme hors carte

En activant cette fonction, l'A1 Pro sera verrouillé et l'alarme sera immédiatement déclenchée s'il sort de la carte. (Cette fonction requiert l'installation du module de liaison)



8.8 Localisation en temps réel

Avec module de liaison, vous pouvez afficher l'emplacement actuel de l'A1 Pro sur Google Maps.



Remarque : L'équipe de développement Dreaeme exécutera continuellement des mises à jour OTA (Over-the-Air) et un entretien sur le micrologiciel et l'application. Veuillez contrôler les notifications de mise à jour ou activez la fonction de mise à jour automatique pour garder le micrologiciel et l'application à jour et ainsi de plus de fonctionnalités.

9 Entretien

Pour de meilleures performances et une plus longue durée de vie de l'A1 Pro, nettoyez-le régulièrement et remplacez les pièces usées selon la fréquence ci-dessous :

Pièce	Fréquence de remplacement
Lames	Toutes les 6 à 8 semaines ou moins
Brosse de nettoyage	Tous les 12 mois ou moins

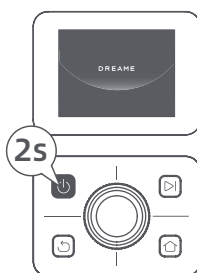
9.1 Nettoyage

⚠ Mise en garde : Avant le nettoyage, éteindre l'A1 Pro et débrancher la station de chargement.

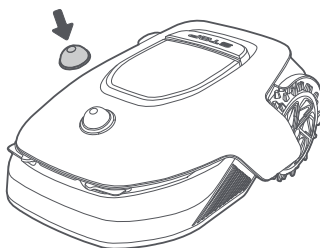
⚠ Mise en garde : Assurez-vous que le Couverture de protection du lidar est sur le lidar avant de retourner l'A1 Pro pour éviter d'endommager le lidar.

• Le corps de l'A1 Pro, châssis et disque de coupe :

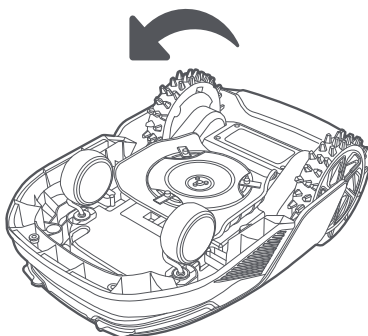
1. Éteindre l'A1 Pro.



2. Mettre le Couverture de protection du lidar sur le lidar.



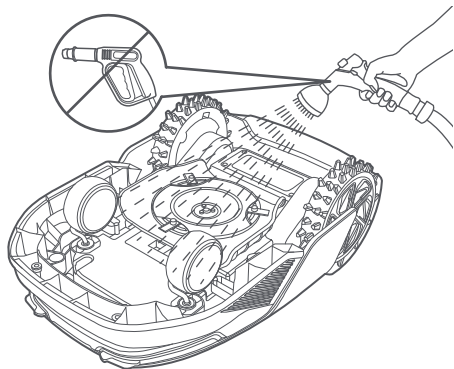
3. Retourner l'A1 Pro.



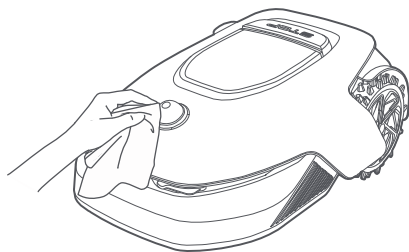
4. Nettoyez le corps, la lame et le châssis de l'A1 Pro avec un tuyau souple.

⚠ Mise en garde : Ne pas toucher les lames pendant le nettoyage du châssis. Toujours porter des gants pendant le nettoyage.

⚠ Mise en garde : Ne pas utiliser de nettoyage à pression. Ne pas utiliser de solution détergente pendant le nettoyage.

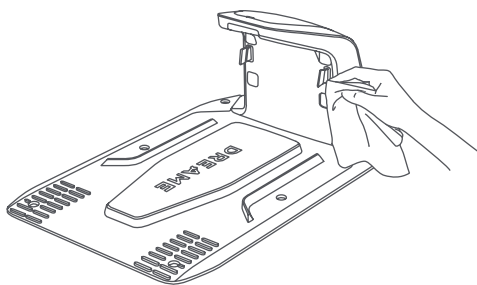
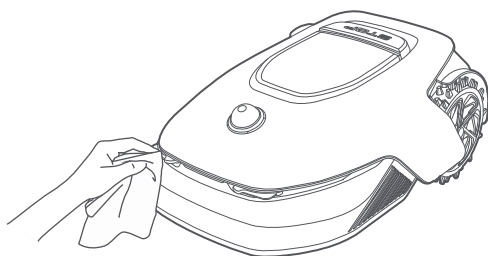


5. Nettoyez soigneusement le capteur LiDAR avec un chiffon non pelucheux.



• **Contacts de chargement :**

Utiliser un chiffon propre pour nettoyer les contacts de chargement sur l'A1 Pro et la station de chargement. Sécher les contacts de chargement après le nettoyage.



9.2 Remplacement des composants

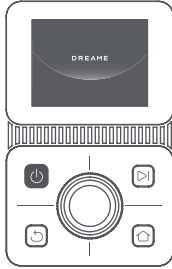
• Remplacement des lames

Pour garder les lames effilées, les remplacer régulièrement. Il est recommandé de remplacer les lames toutes les 6 à 8 semaines ou moins. N'utilisez que les lames originales Dreame.

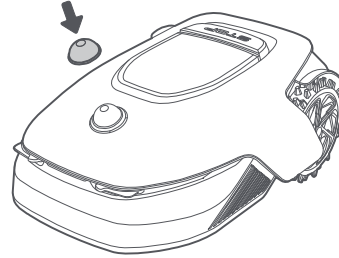
⚠ Mise en garde : Éteindre l'A1 Pro et porter des gants de protection avant de remplacer les lames.

Remarque : Remplacer les trois lames en même temps pour assurer un système de coupe équilibré.

1. Éteindre l'A1 Pro.

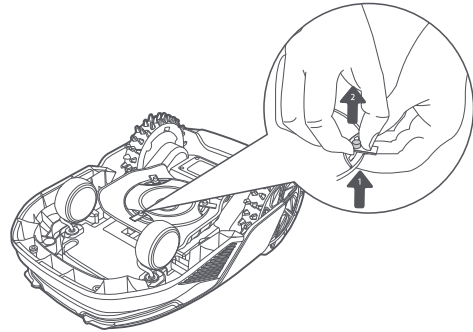
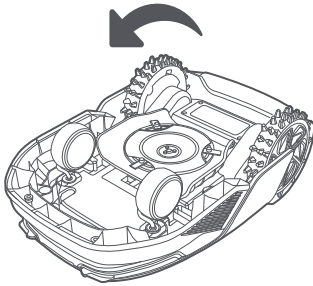


2. Utiliser un chiffon souple pour nettoyer soigneusement le capteur du lidar.



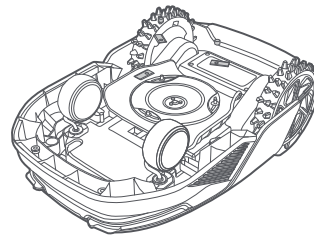
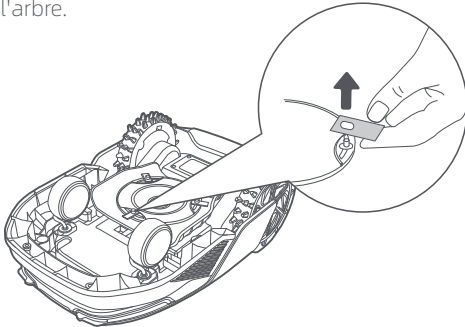
3. Placer l'A1 Pro sur une surface souple et le retourner.

4. Enlever le réceptacle en appuyant sur le bouton sous le disque de coupe.

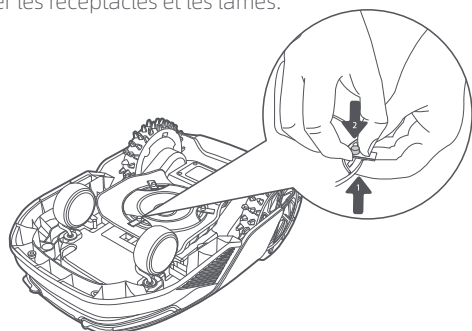


5. Enlever la lame en alignant le trou de la lame sur l'arbre.

6. Enlever les 3 lames et les réceptacles.



7. Appuyer sur le bouton sous le disque de coupe et aligner le trou du réceptacle sur l'arbre pour fixer les réceptacles et les lames.

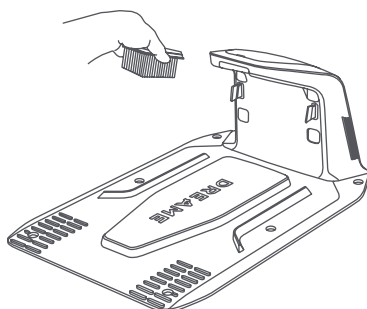


8. Assurez-vous que les lames peuvent tourner librement.

• Remplacement de la brosse de nettoyage

Lorsque la brosse de nettoyage du capteur du lidar est usé, ses soies peuvent tomber ou se détériorer et affecter les performances du nettoyage. Remplacer régulièrement la brosse de nettoyage pour un bon résultat de nettoyage. Il est recommandé de remplacer la brosse de nettoyage tous les 12 mois ou moins.

Remarque : Avant de remplacer la brosse de nettoyage, assurez-vous de débrancher la station de chargement.



10 Batterie

Pour un stockage à long terme, charger l'A1 Pro tous les 6 mois pour protéger la batterie. Les dommages à la batterie résultant d'un déchargement excessif ne sont pas couverts par la garantie limitée. Ne pas charger la batterie à une température ambiante de plus de 45 ° C ou de moins de 6 ° C. La température de stockage de la batterie à long terme doit être comprise entre -10 et 35 ° C. Pour minimiser les dommages, la température de stockage recommandée est entre 0 et 25 ° C.

Remarque : la durée de vie de la batterie dépend de la fréquence d'utilisation et des heures de fonctionnement. Si la batterie est endommagée ou ne peut pas être chargée, ne jeter pas la batterie obsolète ou défectueuse de façon arbitraire. Observer les réglementations locales en matière de recyclage.

Mode de chargement à faible puissance :

Avec le mode de chargement à faible puissance activé, les fonctions non associées au chargement seront désactivées (l'affichage et le réseau seront désactivés).

- Pour activer le mode de chargement à faible puissance, appuyer sans relâcher sur le bouton **Démarrer** et le bouton **Accueil** ensemble, puis sur le bouton **Précédent** 5 fois rapidement en même temps. Vous entendrez une invite vocale : mode de chargement à faible puissance activée.
- Pour désactiver le mode de chargement à faible puissance, redémarrer l'A1 Pro ou appuyer sur le bouton **Marche** 5 fois rapidement pour désactiver le mode de chargement à faible puissance.

11 Stockage d'hiver

• A1 Pro

1. Charger complètement la batterie et éteindre l'A1 Pro.

2. Nettoyer l'A1 Pro avant de le mettre en stockage d'hiver.
3. Placez le couvercle de protection du LiDAR.
4. Stocker l'A1 Pro dans un endroit sec, à une température supérieure à 0 ° C.

• Station de chargement

Débrancher la station de chargement et la stocker dans un endroit sec et frais, à l'abri de la lumière directe du soleil.

Remarque : Si vous n'avez pas utilisé A1 Pro pendant longtemps, veuillez procéder au remappage de votre jardin du fait que les changements significatifs à l'environnement du jardin peut provoquer des erreurs de positionnement.

12 Transport

Pour un transport longue distance, assurez-vous que l'A1 Pro est éteint. Il est recommandé d'utiliser l'emballage original. Placez le couvercle de protection du LiDAR.

⚠ Mise en garde : Éteindre l'A1 Pro avant de le transporter.

⚠ Mise en garde : Soulevez le produit par l'arrière avec le disque de coupe à distance de votre corps.

13 Résolution des pannes

Problème	Causes	Solution
A1 Pro n'est pas connecté à l'application.	<ol style="list-style-type: none"> 1. A1 Pro n'est pas en couverture Wi-Fi ou Bluetooth. 2. A1 Pro est éteint ou redémarre. 	<ol style="list-style-type: none"> 1. Vérifiez si A1 Pro a terminé le processus de mise sous tension. 2. Vérifiez si le routeur fonctionne correctement. 3. Rapprochez-vous de A1 Pro pour établir une connexion Bluetooth.
A1 Pro soulevé.	La roue n'est pas au sol.	<ol style="list-style-type: none"> 1. Remettre l'A1 Pro sur un sol plat. 2. Entrer le code PIN sur l'A1 Pro et confirmer. 3. L'A1 Pro ne peut pas traverser des objets de plus de 4 cm de haut. Garder le sol à niveau là où il travaille.
A1 Pro incliné.	L'A1 Pro s'incline de plus de 37° .	<ol style="list-style-type: none"> 1. Remettre l'A1 Pro sur un sol plat. 2. Entrer le code PIN sur l'A1 Pro pour confirmer. 3. L'A1 Pro ne peut pas monter des pentes avec une inclinaison supérieure à 45 % (24°).
A1 Pro piégé.	L'A1 Pro est piégé et ne peut pas se libérer.	<ol style="list-style-type: none"> 1. Réessayez après avoir éliminé les obstacles à proximité. 2. Déplacer manuellement l'A1 Pro dans un endroit plat et ouvert à l'intérieur de la carte et essayer de recommencer la tâche. Si vous continuez de rencontrer des problèmes, réessayer après que l'A1 Pro est dans la station de charge. 3. Vérifier la présence de trous dans le sol. Comblers les trous avant de tondre pour éviter que l'A1 Pro ne soit piégé. 4. Vérifier que l'herbe environnante n'est pas d'une hauteur supérieure à 10 cm. Vous pouvez ajuster la hauteur d'évitement des obstacles ou utiliser une tondeuse à pousser pour tondre la pelouse à l'avance afin d'éviter que l'A1 Pro ne soit piégé. 5. Si l'A1 Pro est souvent pris dans cet endroit, vous pouvez définir cet emplacement comme une zone interdite.
Erreur roue arrière gauche/droite	La roue ne peut pas tourner ou le moteur de la roue a un problème.	<ol style="list-style-type: none"> 1. Nettoyez les roues arrière, puis réessayez. 2. Essayez de redémarrer le robot si cette erreur persiste. 3. Si le problème persiste, contacter le service après-vente.

Problème	Causes	Solution
Le disque de coupe ne peut pas tourner. l'application.	Le disque de coupe ne peut pas tourner normalement ou le moteur de coupe a un problème.	<ol style="list-style-type: none"> 1. Nettoyez le disque de coupe avant d'essayer de nouveau. 2. Vérifier que l'herbe environnante n'est pas d'une hauteur supérieure à 10 cm. Vous pouvez utiliser une tondeuse à pousser pour tondre la pelouse afin d'empêcher que le disque de coupe ne se bloque à cause de l'herbe haute. 3. Vérifiez si de l'eau se trouve sous le disque de coupe. Déplacez le robot dans un endroit sec et réessayez s'il y en a. 4. Essayez de redémarrer le robot si cette erreur persiste. 5. Si le problème persiste, contacter le service après-vente.
Erreur de pare-chocs.	Le capteur de pare-chocs avant est constamment déclenché.	<ol style="list-style-type: none"> 1. Vérifier que l'A1 Pro pour voir s'il est piégé quelque part. 2. Tapoter sur le pare-chocs pour vous assurer qu'il rebondit. 3. Essayez de redémarrer le robot si cette erreur persiste. 4. Si le problème persiste, contacter le service après-vente.
Erreur de chargement.	L'A1 Pro est ancré dans la station de chargement, mais l'intensité ou la tension de chargement a un problème.	<ol style="list-style-type: none"> 1. Vérifier que la station de chargement est correctement raccordé à l'alimentation. 2. Vérifier que les contacts de chargement et la station de chargement sont propres. 3. Lorsque le contrôle est terminé, essayer d'ancrer de nouveau l'A1 Pro dans la station de chargement. 4. Si le problème persiste, contacter le service après-vente.
La température de la batterie est trop élevée.	La température de la batterie est $\geq 60^{\circ}\text{C}$.	<ol style="list-style-type: none"> 1. Utiliser l'A1 Pro lorsque la température ambiante est inférieure à 40°C. Vous pouvez attendre que la température de la batterie diminue automatiquement. 2. Vous pouvez éteindre l'A1 Pro et le redémarrer après un certain temps. 3. Si le problème persiste, contacter le service après-vente.
Le lidar est bloqué.	Le lidar est bloqué (par exemple, le Couvercle de protection du lidar n'est pas retiré).	<ol style="list-style-type: none"> 1. Réessayez après avoir retiré le capot de protection du lidar. 2. Si le lidar du robot est sale, nettoyez-le avec un chiffon non pelucheux et réessayez.

Problème	Causes	Solution
Dysfonctionnement du LiDAR.	Le LiDAR est très sale ou il y a une erreur de capteur.	<ol style="list-style-type: none"> 1. Vérifiez que le lidar situé sur le dessus du robot n'est pas sale. Si nécessaire, nettoyez-le et réessayez. 2. Essayez de redémarrer le robot si cette erreur persiste. 3. Veuillez contacter le service après-vente si le problème persiste.
L'A1 Pro est perdu.	Le positionnement est perdu.	<ol style="list-style-type: none"> 1. Vérifier que le lidar au sommet de l'A1 Pro est sale. La saleté affectera le positionnement. 2. Déplacement manuellement l'A1 Pro pour le placer dans un ouvert dans la carte et essayer de reprendre la tâche. 3. Si le positionnement n'est pas retrouvé, télécommander l'A1 Pro pour le ramener à la station de chargement via l'application, puis commencer la tâche de tonte.
Erreur de capteur.	Erreur de capteur.	<ol style="list-style-type: none"> 1. Redémarrer l'A1 Pro et réessayer. 2. Si le problème persiste, contacter le service après-vente.
L'A1 Pro est dans la zone interdite.	L'A1 Pro est dans la zone interdite.	<ol style="list-style-type: none"> 1. Déplacez le robot manuellement de la zone interdite, puis réessayez. 2. Utilisez l'application pour contrôler le robot à distance pour le déplacer hors de la zone interdite, puis réessayez.
L'A1 Pro est sorti de la carte.	L'A1 Pro est sorti de la carte.	<ol style="list-style-type: none"> 1. Déplacez le robot à l'intérieur de la carte manuellement, puis réessayez. 2. Utilisez l'application pour contrôler le robot à l'intérieur de la carte à distance, puis réessayez.
L'arrêt d'urgence est activé.	Le bouton d'arrêt sur l'A1 Pro est enfoncé.	Entrer le code PIN sur l'A1 Pro pour désactiver l'arrêt d'urgence.
Batterie faible. L'A1 Pro s'éteindra bientôt.	Le niveau de la batterie est $\leq 10\%$.	Ancrer l'A1 Pro dans la station de chargement pour le chargement.

Problème	Causes	Solution
L'A1 Pro est hors de la carte. Risque de vol.	L'A1 Pro est hors de la carte.	<ol style="list-style-type: none"> 1. Entrer le code PIN pour vérifier. 2. Vous pouvez désactiver l'Alarme hors carte dans les Paramètres dans l'application.
Impossible de retourner à la station de chargement.	L'A1 Pro ne peut pas trouver la station de chargement lorsqu'il retourne à la station de chargement.	<ol style="list-style-type: none"> 1. Vérifier la présence d'obstacles bloquant l'A1 Pro. Éliminer les obstacles et réessayer. 2. Télécommander l'A1 Pro pour le ramener à la station de chargement via l'application.
Échec de l'ancrage dans la station de chargement.	L'A1 Pro trouve la station de chargement, mais l'ancrage échoue.	<ol style="list-style-type: none"> 1. Regarder si les pellicules réfléchissantes sur la station de chargement sont sales ou bloqués. 2. Vérifier la présence d'obstacles devant la station de chargement. 3. Vérifier que la station de chargement est déplacée. 4. Vérifiez si la plaque de base est couverte de boue épaisse. 5. Vérifiez si la station est alimentée. 6. Aidez le robot à s'accoupler à la station en utilisant la télécommande ou manuellement.
Échec du positionnement.	Le positionnement échoue lorsque l'A1 Pro essaie de commencer une tâche de tonte.	<ol style="list-style-type: none"> 1. Le Lidar pourrait être obstrué. Déplacez manuellement le robot vers un endroit plat et ouvert à l'intérieur de la carte et essayez de recommencer la tâche. 2. Si vous continuez à rencontrer cette erreur, veuillez réessayer après que le robot soit dans la station.
La température de la batterie est élevée.	La température de la batterie est $\geq 45^{\circ}\text{C}$.	<ol style="list-style-type: none"> 1. Le chargement peut échouer lorsque la température de la batterie dépasse 45°C. 2. Utiliser l'A1 Pro lorsque la température ambiante est inférieure à 40°C.
La température de la batterie est basse.	La température de la batterie est $\leq 6^{\circ}\text{C}$.	<ol style="list-style-type: none"> 1. Le chargement peut échouer lorsque la température de la batterie est inférieure à 6°C. 2. Utiliser l'A1 Pro lorsque la température ambiante est supérieure à 6°C.
Le disque de coupe ne parvient pas à monter ou descendre.	Le disque de coupe ne parvient pas à monter ou descendre.	<ol style="list-style-type: none"> 1. Nettoyez le disque de coupe et réessayez. 2. Essayez de redémarrer le robot si cette erreur persiste. 3. Si le problème persiste, contactez le service après-vente.
Espace insuffisant pour tourner devant la station.	Espace insuffisant pour tourner devant la station.	<ol style="list-style-type: none"> 1. Si la station est placée sur le bord ou à l'intérieur de la carte, assurez-vous qu'il y a au moins 1 m d'espace libre entre la zone avant de la plaque de base de la station et la limite de la carte ; sinon, le robot pourrait ne pas pouvoir tourner. 2. Déplacez la station, ou modifiez la carte dans Édition de la carte.

14 Caractéristiques

Informations de base	Nom du produit	Tondeuse robotisée Dreame
	Marque	Dreame
	Dimensions	643 × 436,5 × 261 mm
	Poids (batterie incluse)	12.6 kg
Tonte	Capacité de travail recommandée	2000 m ² (0,5acre)
	Efficacité de la tonte	Norme : 120 m ² /h (0,03 acre) Efficacité : 200 m ² /h (0,05 acre)
	Hauteur de tonte	30~70 mm
	Largeur de tonte	22 cm
	Temps de chargement ^[1]	65 min
Émissions de bruit	Niveau d'intensité sonore LWA	64 dB(A)
	Incertitude de puissance sonore KWA	3 dB(A)
	Niveau de pression sonore LpA	56 dB(A)
	Incertitudes de pression sonore KpA	3 dB(A)
Condition de travail	Température de service	0~50° C Recommandée : 10~35° C
	Température de stockage sur une période prolongée	-10~35° C Recommandé : 0~25° C
	Classement IP	Tondeuse : IPX6 Station de chargement : IPX4 Alimentation : IP67
	Pente maximale pour zone de tonte	45% (24°)
Connectivité	Fréquence Bluetooth	2400,0-2483,5 MHz
	Wi-Fi	Wi-Fi 2.4 GHz (2400-2483.5M)
	Puissance RF maximale	802.11b:16±2dBm(@11Mbps) 802.11g:14±2dBm(@54Mbps) 802.11n:13±2dBm(@HT20,HT40) Bluetooth : 7.49dBm
	Service de liaison (optionnel) ^[2]	LTE-FDD: B1/3/7/8/20/28A LTE-TDD: B38/40/41
	GNSS (optionnel) ^[3]	GPS/GLONASS/BDS/Galileo/QZSS

Moteur d'entraînement	Vitesse d'entraînement en télécommande	0.45 m/s
	Vitesse d'entraînement en tonte	Norme : 0,35 m/s Efficacité: 0,6 m/s
Moteur de coupe	Vitesse	2200 /min
Batterie (tondeuse)	Type de batterie	batterie ou lithium-ion
	Capacité nominale	5000 mAh
	Voltage nominale	18 V
Alimentation	Tension en entrée	100~240 V
	Tension en sortie	20 V
	Intensité en sortie	3 A
Station de chargement	Tension en entrée	20 V
	Tension en sortie	20 V
	Intensité en entrée	3 A
	Intensité en sortie	3 A

[1] Lorsque A1 Pro revient automatiquement à la station de charge avec une batterie faible, le temps de charge s'applique.

[2] Nécessite l'installation du module de liaison.

[3] Nécessite l'installation du module de liaison.

Remarque : Les caractéristiques sont sujettes à modification du fait que nous améliorons continuellement nos produits. Pour les informations les plus récentes, veuillez visiter notre site web sur global.dreametech.com.

Traduzione dell'istruzione originale

Tavola dei contenuti

1 Istruzioni di sicurezza	P115
2 Cosa c'è nella scatola	P119
3 Panoramica del prodotto	P120
4 Installazione	P121
5 Preparazioni prima dell'uso	P123
6 Mappa il tuo giardino	P126
7 Operazione	P132
8 Dreamehome App	P137
9 Manutenzione	P139
10 Batteria	P143
11 Conservazione invernale	P143
12 Trasporto	P143
13 Risoluzione problemi	P144
14 Specifiche	P147

1 Istruzioni di sicurezza

1.1 Istruzioni di sicurezza generali

- Leggere attentamente il manuale d'uso prima di utilizzare il prodotto.
- Utilizzare esclusivamente i dispositivi consigliati da Dreame con il prodotto. Ogni altro tipo di utilizzo è improprio.
- È vietato far utilizzare il dispositivo ai bambini, alle persone con ridotte capacità fisiche, sensoriali e mentali o a persone senza alcuna esperienza o conoscenza delle seguenti istruzioni. Le leggi locali possono stabilire un'età minima per l'operatore.
- Tenere i bambini lontani dal dispositivo quando è in funzione.
- Non utilizzare il prodotto in luoghi dove le persone non sono a conoscenza della presenza del dispositivo.
- Fare attenzione a non correre quando si manovra manualmente il dispositivo tramite l'app Dreamehome. È preferibile camminare, prestare attenzione ad eventuali pendenze e mantenere sempre l'equilibrio.
- Evitare di usare il prodotto quando ci sono persone nell'area di lavoro, specie se bambini o animali.
- Se il prodotto viene utilizzato in aree pubbliche, posizionare cartelli intorno all'area di lavoro con la seguente dicitura "Attenzione! Tosaerba automatico in movimento! Tenersi lontani dal dispositivo e tenere d'occhio i bambini!"
- Indossare scarpe resistenti e pantaloni lunghi durante l'utilizzo del prodotto.
- Per evitare danni al prodotto e incidenti che coinvolgano veicoli e persone, non impostare aree di lavoro o percorsi di trasporto su luoghi pubblici.
- Non toccare le parti pericolose in movimento, come le lame, fino a che non si sono completamente fermate.
- Contattare il medico in caso di lesioni o incidenti.
- Impostare il prodotto su OFF prima di rimuovere blocchi, eseguire la manutenzione o esaminare il prodotto. Se il prodotto vibra in modo anomalo, controllarlo per danni prima di riavviarlo. Non usare il prodotto se alcune parti sono difettose.
- Non connettere o toccare alcun cavo danneggiato fino a che non è stato rimosso dalla presa di corrente. Se il cavo si danneggia durante l'utilizzo, togliere la spina dalla presa di corrente. Un cavo usurato o danneggiato aumenta il rischio di scossa elettrica e deve essere sostituito dal personale di assistenza.
- Non posizionare il cavo principale nelle aree dove il dispositivo eseguirà il taglio. Seguire le istruzioni fornite per l'installazione del cavo.
- Utilizzare esclusivamente la base di ricarica inclusa nel pacchetto per ricaricare il prodotto. Un uso non corretto può provocare scosse elettriche, surriscaldamento o fuoriuscita di liquido corrosivo dalla batteria. In caso di fuoriuscita di elettroliti, sciacquare con acqua/agente neutralizzante e contattare il medico se il liquido corrosivo entra in contatto con gli occhi.
- Durante il collegamento del cavo principale alla presa di corrente, utilizzare il dispositivo di corrente residua (RCD) con una corrente di intervento massima di 30 mA.
- Utilizzare esclusivamente le batterie originali consigliate da Dreame. La sicurezza del prodotto non può essere garantita con l'utilizzo di batterie non originali. Non utilizzare batterie non ricaricabili.
- Tenere le prolunghe lontane dalle parti pericolose in movimento per evitare danni ai cavi, che potrebbero portare al contatto con le parti sotto tensione.
- Le illustrazioni riportate in questo documento fungono solo da esempio. Si prega di fare riferimento ai prodotti reali.
- Non spingere il prodotto con forza o rapidità, poiché ciò potrebbe danneggiarlo.
- Per mantenere la conformità con il requisito di esposizione alle RF, dovrebbe essere mantenuta una distanza di separazione di 35 cm tra il dispositivo e la persona.
- Per ricaricare la batteria, utilizzare esclusivamente l'unità di alimentazione rimovibile fornita con questo apparecchio.

1.2 Istruzioni di sicurezza per l'installazione

- Evitare di installare la base di ricarica in aree in cui le persone possono inciamparvi.
- Non installare la base di ricarica in aree in cui è presente il rischio di ristagno d'acqua.
- Non installare la base di ricarica, incluso qualunque altro accessorio, a meno di 60 cm/24 pollici da qualsiasi materiale combustibile. Il malfunzionamento o il riscaldamento della base di ricarica e dell'alimentatore possono provocare il rischio di incendio.
- Per gli utenti in USA/Canada: l'installazione dell'alimentatore all'esterno può comportare il rischio di scossa elettrica. Installare l'alimentatore esclusivamente in una presa GFCI (RCD) di classe A, coperta con un involucro resistente alle intemperie, assicurandosi che il contenitore della spina sia inserito oppure rimosso.

1.3 Istruzioni di sicurezza durante l'utilizzo del dispositivo

- Tenere le mani e i piedi lontani dalle lame rotanti. Non posizionare le mani o i piedi vicino o sotto il prodotto quando è acceso.
- Non sollevare o muovere il prodotto quando è acceso.
- Utilizzare la modalità Parcheggio o impostare il prodotto su **OFF** in presenza di persone nell'area di lavoro, specie se si tratta di bambini o animali.
- Assicurarsi che sul prato non vi siano oggetti come pietre, rami, attrezzi o giocattoli, in quanto le lame potrebbero subire danneggiamenti.
- Non posizionare oggetti sopra al prodotto o alla base di ricarica.
- Non usare il prodotto se il pulsante **STOP** non è attivo.
- Evitare la collisione del prodotto con persone o animali. Se una persona o animale si trova nel percorso del dispositivo, fermarlo immediatamente.
- Impostare sempre il prodotto su **OFF** quando non è in funzione.
- Non utilizzare il prodotto contemporaneamente ad un irrigatore a scomparsa. Utilizzare la funzione Programma per evitare che il prodotto e l'irrigatore a scomparsa operino contemporaneamente.
- Evitare di posizionare una rete di collegamento nel punto in cui si trovano gli irrigatori a scomparsa.
- Non utilizzare il prodotto in aree dove è presente acqua stagnante, come per esempio durante forti piogge.

1.4 Istruzioni di sicurezza per la manutenzione

- Imposta il prodotto su **OFF** durante la manutenzione.
- Scollegare la spina dalla base di ricarica o rimuovere il dispositivo di disattivazione prima di eseguire la pulizia o la manutenzione della base di ricarica.
- Non utilizzare idropulitrici o solventi per pulire il prodotto.
- Dopo il lavaggio, assicurarsi che il prodotto sia posizionato a terra orientato normalmente e non capovolto.
- Non capovolgere il prodotto per pulire il telaio. Se il dispositivo viene capovolto per la pulizia, assicurarsi di riposizionarlo a terra orientato correttamente. Questo tipo di precauzione serve per evitare che l'acqua penetri nel motore, con il pericolo di comprometterne il normale funzionamento.

1.5 Sicurezza della batteria

Le batterie agli ioni di litio possono esplodere o provocare un incendio se smontate, cortocircuitate, esposte all'acqua, al fuoco o alle alte temperature, quindi è necessario maneggiarle con cura. Non smontare o aprire la batteria ed evitare qualsiasi utilizzo improprio. Tenerle lontane dalla luce del sole.






1. Utilizzare esclusivamente il caricabatterie e l'alimentatore forniti dal produttore. L'utilizzo di un caricabatterie o di un alimentatore non appropriato può provocare scosse elettriche e / o surriscaldamento.
2. **NON RIPARARE O MODIFICARE IN ALCUN MODO LE BATTERIE!** Provare a modificare o a riparare le batterie può provocare lesioni personali, causate da esplosione o scossa elettrica. Se la batteria si danneggia e fuoriesce un liquido, gli elettroliti rilasciati sono corrosivi e tossici.
3. Le batterie di questo dispositivo possono essere sostituite solo da persone esperte.

1.6 Rischi residui

Quando si sostituiscono le lame, per evitare il rischio di lesioni personali si consiglia di indossare guanti protettivi.

1.7 Symbols and Decals

	<p>ATTENZIONE - Leggere le istruzioni per l'uso prima di utilizzare la macchina.</p>
	<p>ATTENZIONE - Mantenere la distanza di sicurezza dalla macchina quando è in funzione.</p>
	<p>ATTENZIONE - Azionare il dispositivo di disattivazione prima di maneggiare o sollevare la macchina.</p>
	<p>ATTENZIONE - Non salire sulla macchina.</p>
	<p>ATTENZIONE - Non è consentito smaltire questo prodotto come normale rifiuto domestico. Assicurarsi che il prodotto venga riciclato in conformità delle leggi locali.</p>

	Questo prodotto è conforme alle direttive CE applicabili.
	Classe III
	Leggi le istruzioni prima di ricaricare.
	Corrente continua
	Classe II

USO PREVISTO

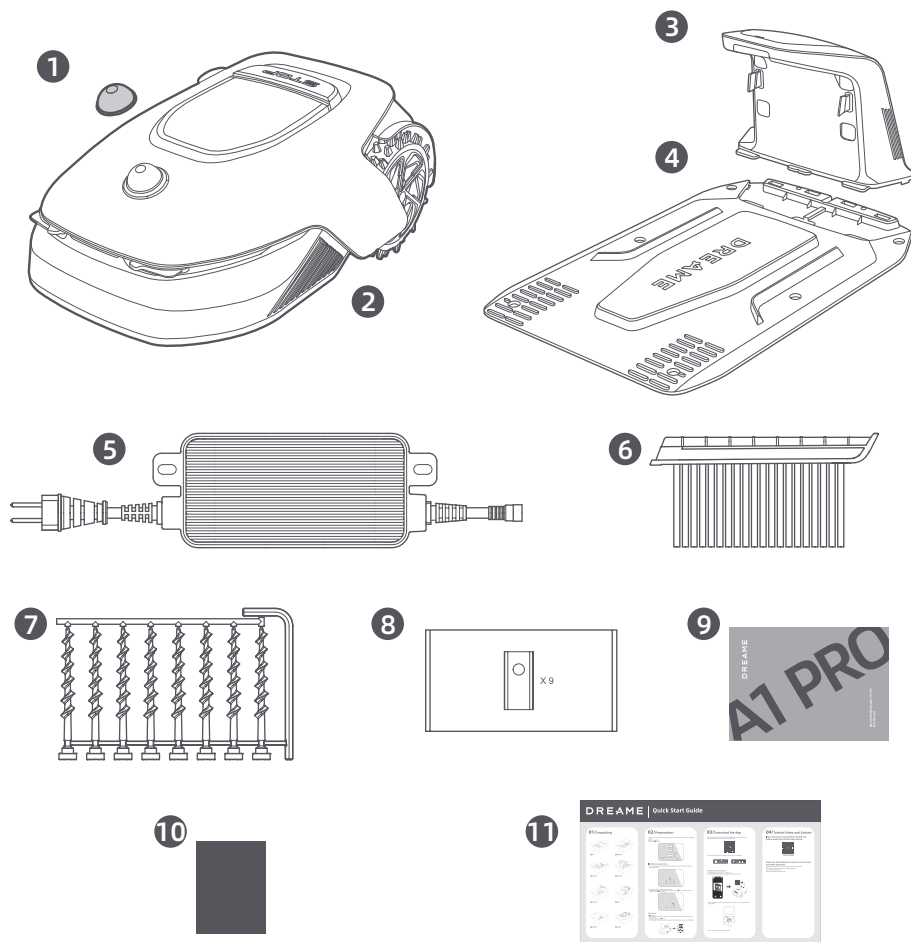
Il prodotto da giardino è destinato alla falciatura del prato domestico. È progettato per falciare spesso, mantenendo un prato più sano e dall'aspetto migliore che mai. A seconda delle dimensioni del tuo prato, il tuo tosaerba può essere programmato per funzionare in qualsiasi momento o frequenza. Non è adatto per scavare, spazzare o rimuovere la neve.



Con la presente, Dreame Trading (Tianjin) Co., Ltd. dichiara che il modello di apparecchiatura radio Dreame Roboticmower MLLA7110 è conforme alla Direttiva 2014/53/UE. Il testo completo della dichiarazione di conformità UE è disponibile al seguente indirizzo internet: <https://global.dreametech.com>

Per il manuale dettagliato in formato digitale, visitare la pagina <https://dreametech.zendesk.com/hc/en-us/categories/7968864195993-User-Manual>

2 Cosa c'è nella scatola



❶ Coperchio protettivo LiDAR

❷ A1 Pro

❸ Torre di ricarica
(con una prolunga da 10 m)

❹ Piastra di base

❺ Alimentazione elettrica

❻ Spazzola di pulizia

❼ Viti × 8, Chiave esagonale

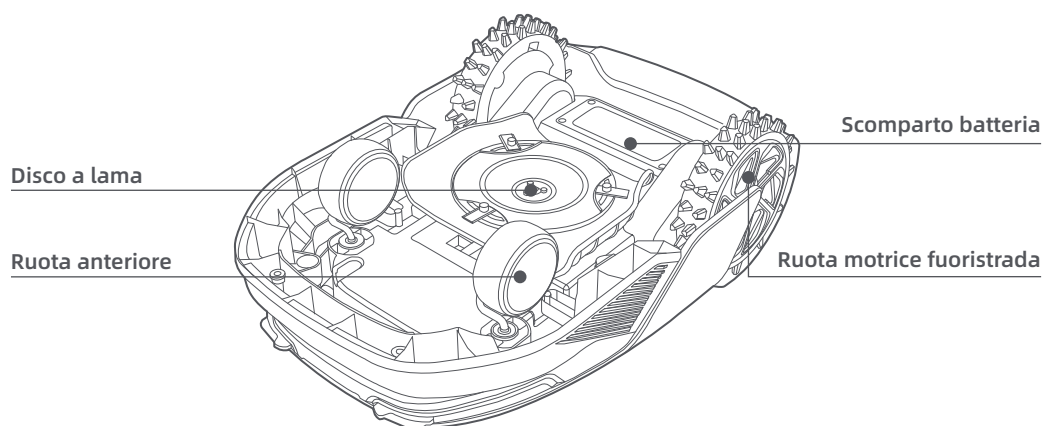
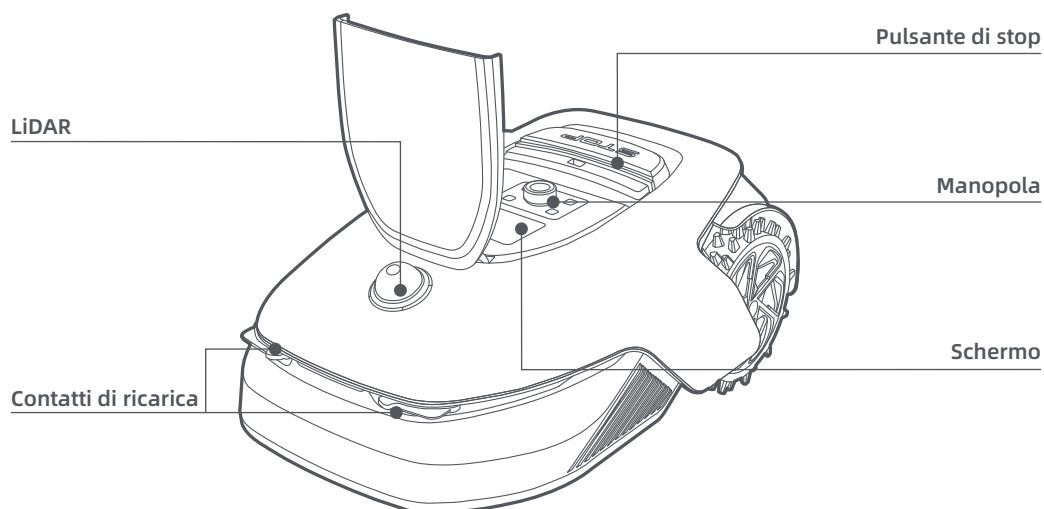
❽ Lama di riserva × 9

❾ Manuale utente

❿ Panno senza pelucchi

⓫ Guida avvio rapido

3 Panoramica del prodotto



Sensore

Nome	Descrizione
Lidar	Ottiene informazioni ambientali e facilita il posizionamento di A1 Pro, l'evitamento degli ostacoli e il rilevamento di acqua e sporco. Campo di rilevamento: 70 m con un angolo di 360° orizzontali e 59° verticali.

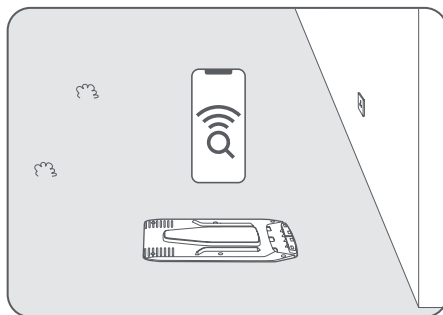
4 Installazione

4.1 Seleziona una posizione adatta

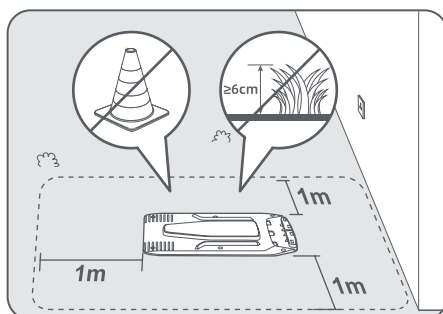
- Posiziona la stazione di ricarica su una superficie piana vicino al bordo del prato e a una presa di corrente. Si raccomanda di posizionare la stazione di ricarica in una zona con una buona copertura del segnale Wi-Fi.

Nota: Usa il tuo dispositivo mobile per aiutare a controllare la forza del segnale Wi-Fi della zona. Una buona forza del segnale di rete Wi-Fi aumenta la stabilità di connessione tra A1 Pro e l'app.

Nota: Assicurati che il terreno sia abbastanza morbido da permettere l'installazione a vite.

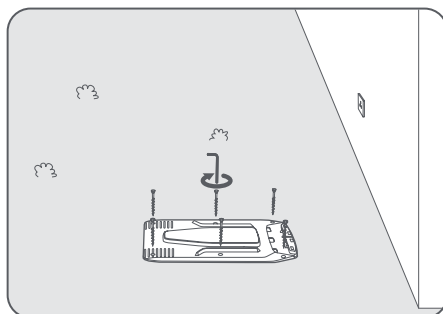


- Mantieni almeno 1 m di spazio libero senza ostacoli a sinistra, a destra e davanti alla stazione di ricarica. Assicurati che l'erba intorno alla zona sia più corta di 6 cm. Se l'erba è più alta, falciala con un falciaerba a spinta prima. L'erba alta può essere difficile per far tornare A1 Pro alla stazione di ricarica.

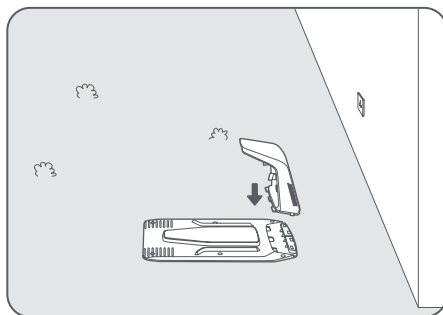


4.2 Installa la stazione di ricarica

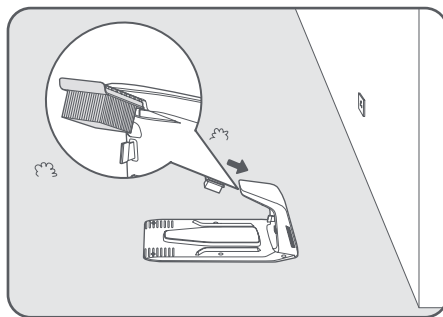
- 1 Fissa la piastra di base al suolo con le viti in dotazione usando la chiave esagonale.



- 2 Inserisci la torre di ricarica alla piastra di base fino a sentire un click.

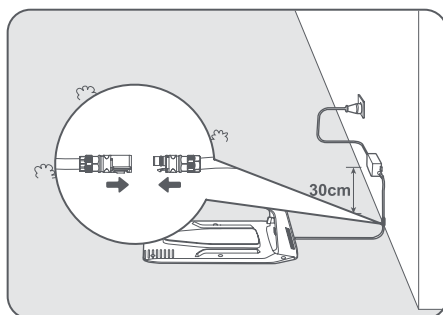


- 3 Inserisci il pennello di pulizia nella torre di ricarica allineando la linguetta con la scanalatura.



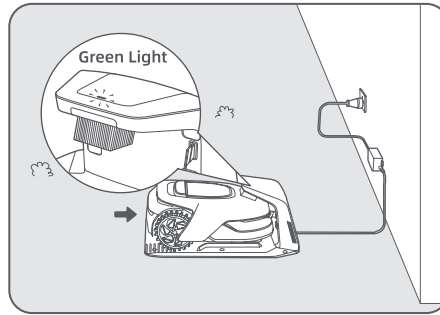
- 4 Connetti l'alimentazione al cavo di prolunga e poi connetti a una presa di corrente. Mantieni l'alimentatore almeno 30 cm sopra il terreno.

Nota: L'indicatore LED sulla stazione di ricarica sarà di colore blu fisso se c'è corrente.



- 5 Metti A1 Pro nella stazione di ricarica a ricaricare. Assicurati che i contatti di ricarica su A1 Pro e la stazione di ricarica siano connessi correttamente.

Nota: La spia luminosa lampeggerà verde se A1 Pro si sta caricando correttamente nella stazione di ricarica.



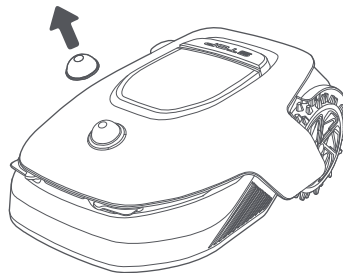
L'indicatore LED sulla stazione di ricarica

Colore Luce Indicatore LED	Significato
Rosso lampeggiante/fisso	1. La stazione di ricarica ha un problema (per esempio una corrente di ricarica o un problema di voltaggio). 2. A1 Pro si aggancia alla stazione di ricarica ma la ricarica è anormale (per esempio i contatti di ricarica hanno un corto circuito).
Blu fisso	La stazione di ricarica ha corrente. A1 Pro non è nella stazione di ricarica.
Verde lampeggiante	A1 Pro si sta ricaricando nella stazione di ricarica.
Verde fisso	A1 Pro è nella stazione di ricarica e completamente carico.

5 Preparazioni prima dell'uso

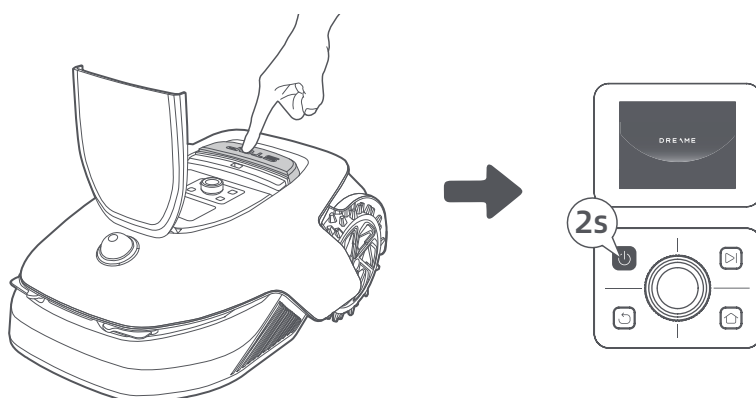
Quando A1 Pro è acceso per la prima volta, ci sono delle impostazioni di base da fare prima che A1 Pro sia pronto ad iniziare a lavorare.

- 1 Rimuovi il coperchio protettivo LIDAR.



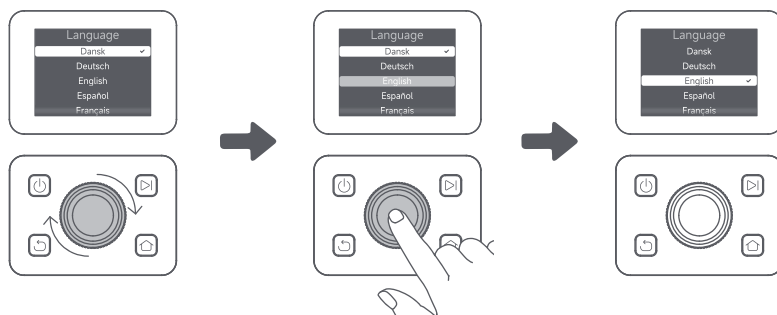
2 Premi il pulsante Stop per aprire il coperchio del pannello di controllo. Tieni premuto sul pannello di controllo per 2 secondi per accendere A1 Pro.

Nota: A1 Pro si accende automaticamente quando si aggancia alla stazione di ricarica.



3 Seleziona la lingua che preferisci

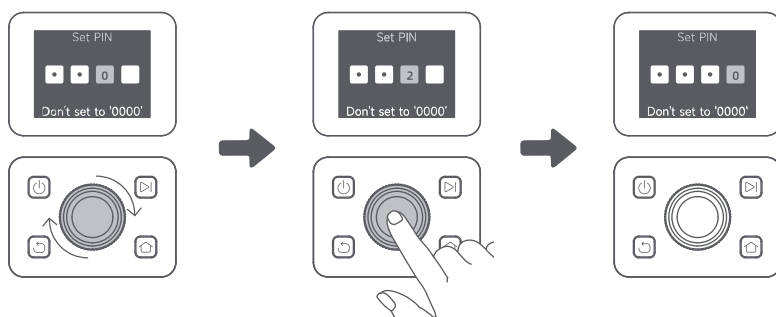
Gira la manopola in senso orario per andare giù e in senso antiorario per andare su per selezionare la tua lingua. Premi la manopola per confermare.



4 Imposta codice PIN

1. Gira la manopola per selezionare un numero da 0 a 9. Girala in senso orario per aumentare il numero da 0 a 9 e girala in senso antiorario per diminuire il numero. Premi la manopola per impostare il numero seguente. Per modificare il numero precedente, gira la manopola in senso antiorario fino a che il numero diventa 0 e continua a girarla ancora una volta.

Nota: Non impostare il codice PIN su "0000".



2. Inserisci il codice PIN di nuovo per completare l'impostazione del codice PIN.

Nota: Se due password non combaciano, imposta di nuovo la nuova password.

5 Connetti A1 Pro a internet

Scansiona il codice QR per scaricare l'app Dreamehome sul tuo dispositivo mobile. Dopo l'installazione, crea un account e accedi.



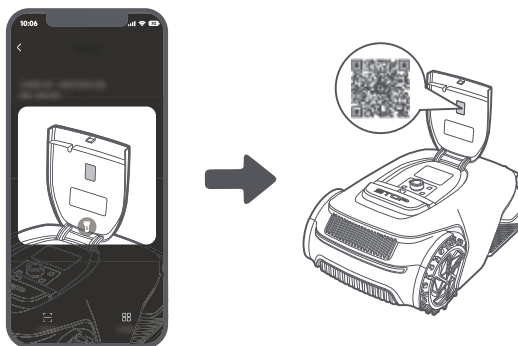
Puoi anche scaricare l'app Dreamehome da App Store o Google Play.



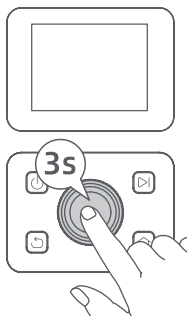
1) Connessione Bluetooth

1. Abilita la funzione Bluetooth sul tuo dispositivo mobile.

2. Scansiona il codice QR dentro la cover o seleziona A1 Pro manualmente tramite l'app.



3. Tieni premuta la manopola sul pannello di controllo per 3 secondi e A1 Pro accede alla modalità di accoppiamento Bluetooth.



4. Accoppia A1 Pro con il tuo dispositivo mobile tramite Bluetooth.

Nota: Assicurati che il tuo dispositivo mobile sia entro 10 m da A1 Pro.

2) Connessione Wi-Fi

Assicurati che A1 Pro e il tuo dispositivo mobile siano sulla stessa rete Wi-Fi. Segui la guida in-app per completare la connessione.

Nota: Usare una singola banda di rete di 2.4 GHz di frequenza o a banda doppia di frequenza 2.4/5 GHz.

Nota: Puoi acquistare il Modulo Link per controllare da remoto A1 Pro senza connessione Wi-Fi.

Come scollegare A1 Pro?

A1 Pro è automaticamente collegato all'account Dreamehome una volta che l'accoppiamento è riuscito. Ogni dispositivo può essere solo collegato a un account. Non può essere collegato a un altro account allo stesso tempo.

Per accoppiare A1 Pro con un nuovo account, prima è necessario scollegarlo. Per scollegare il dispositivo, andare su **"Dispositivo"** e cliccare su **More > Elimina** nell'angolo destro in alto.

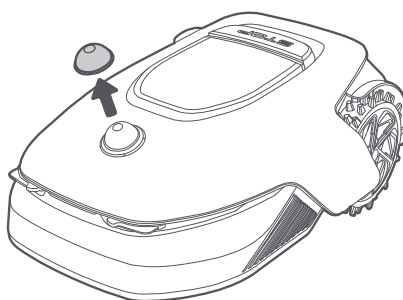
Come disconnetterti dal tuo account Dreamehome o eliminarlo?

Per disconnetterti, vai a Io > Impostazioni > Account > Disconnettiti. Per eliminare l'account, vai su Io > Impostazioni > Account > Elimina Account.

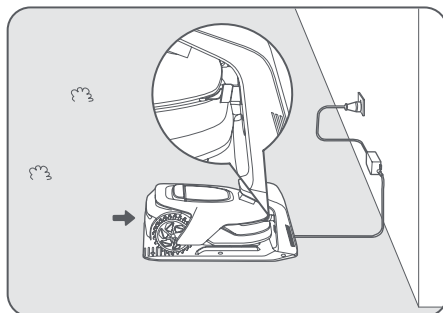
6 Mappa il tuo giardino

Prima di mappare, controlla i seguenti:

- Il livello di batteria di A1 Pro è più del 50%.
- Il coperchio protettivo di LIDAR è rimosso.

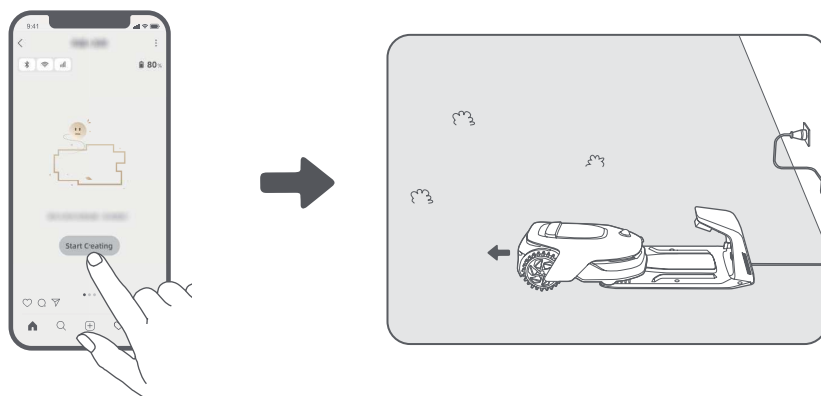


- A1 Pro si aggancia correttamente alla stazione di ricarica.

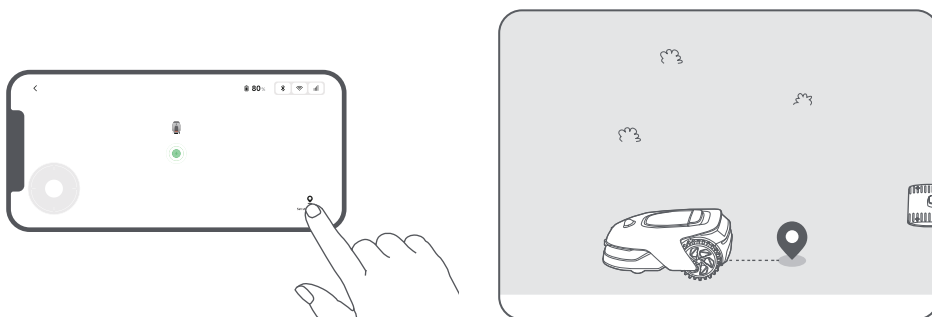


6.1 Crea il confine

- 1 Tocca "Inizia a creare" tramite l'app, e A1 Pro controlla il suo stato e calibra. Lascia automaticamente la stazione di ricarica per fare la calibrazione. Fare attenzione.



- 2 Controlla da remoto A1 Pro fino al bordo del tuo prato e tocca "Imposta il punto di partenza" per confermare il punto di inizio del confine.

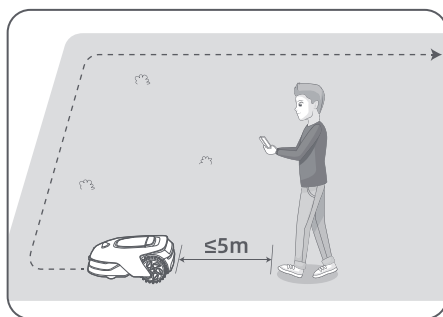


- 3 Controlla da remoto A1 Pro per muoverlo lungo il bordo del tuo prato per creare la zona di lavoro. Quando controlli da remoto A1 Pro per creare il confine, tieni a mente:

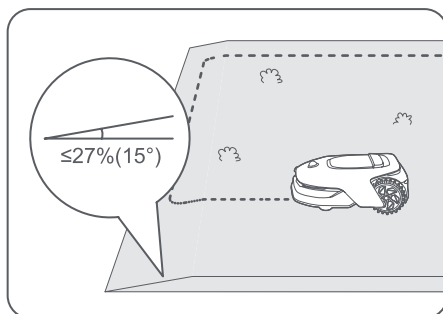
⚠ Attenzione: Non spostare manualmente A1 Pro quando crei il confine, altrimenti la mappatura fallisce.

⚠ Attenzione: Quando la mappatura viene avviata da remoto, non far attraccare A1 Pro nella base di ricarica prima della fine della mappatura, altrimenti il LiDAR rischia di bloccarsi e la mappatura viene annullata.

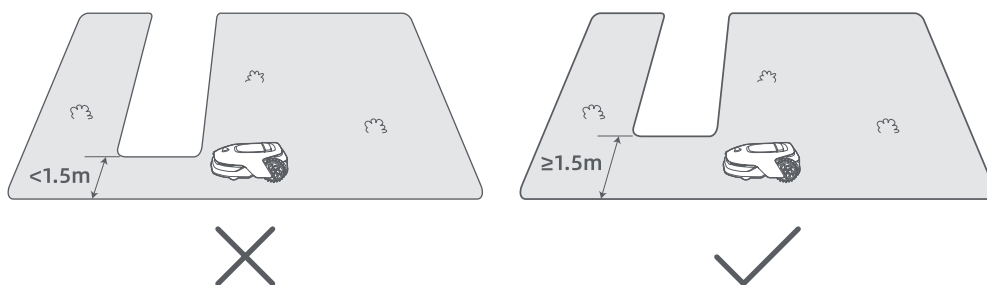
- Cammina entro 5 m dietro A1 Pro quando lo controlli da remoto.



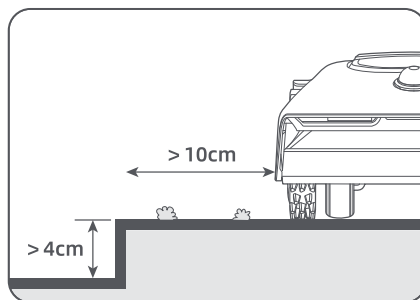
- Non creare il confine su una pendenza che supera il 27%.



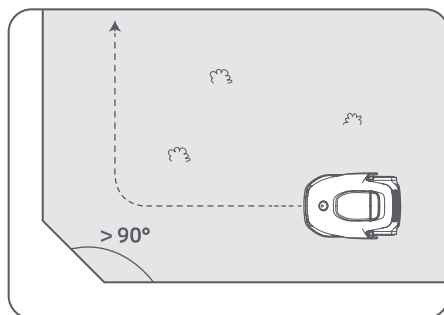
- Evita di creare confini dentro corridoi più stretti di 1.5 m.



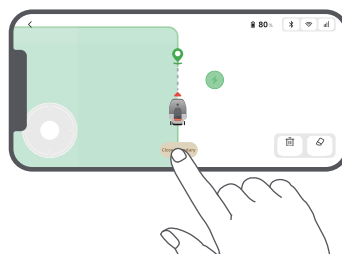
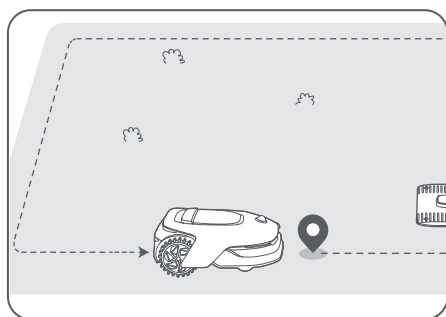
- Se c'è una differenza di altezza di più di 4 cm tra il bordo del tuo prato e il terreno adiacente, tieni A1 Pro almeno a 10 cm dal bordo del tuo prato.



- Assicurati che gli angoli di svolta siano maggiori di 90° .

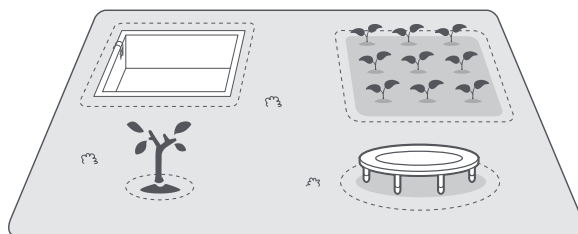


- 4 Quando A1 Pro ritorna a posto 1 m vicino al punto di inizio, puoi toccare "Chiudi il confine" e il confine automaticamente è completato.



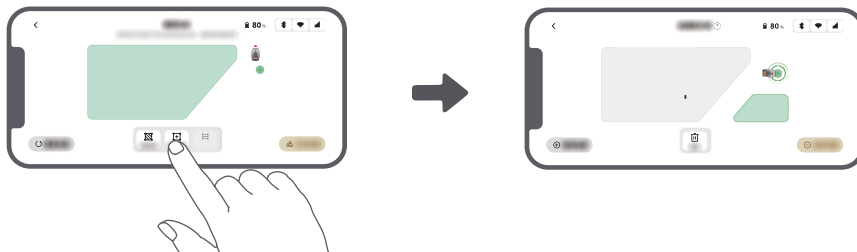
6.2 Imposta zona di delimitazione

Anche se A1 Pro può automaticamente evitare gli ostacoli, è ancora necessario impostare le zone in cui potrebbe cadere, come piscine e sabbie, come zone vietate. Per gli oggetti che vuoi proteggere (come un'aiuola, un trampolino, un orto o la radice nuda di un albero), impostali come zone di delimitazione. Si possono impostare zone vietate per A1 Pro tramite la app oppure andare su "Modifica mappa" per disegnare o cancellare le zone vietate direttamente sulla mappa.



6.3 Imposta zone multiple

Se il tuo prato è separato da strade o se hai molti prati isolati, puoi toccare "Zona di lavoro" nell'app per continuare a creare la zona di lavoro da controllo remoto. Puoi anche aggiungere, eliminare o modificare le zone in "Modifica Mappa" quando la mappa è finita.

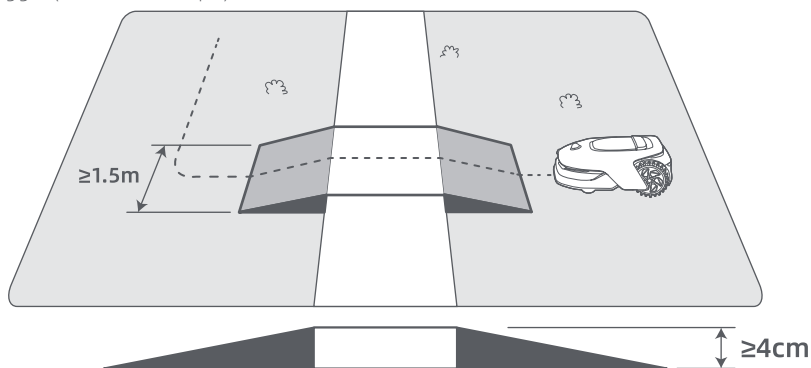


6.4 Imposta percorso

Per zone isolate, crea un percorso per connetterle. Zone isolate senza un percorso saranno inaccessibili a A1 Pro.

Nota: Di default, A1 Pro si muove soltanto lungo il percorso ma non taglia l'erba.

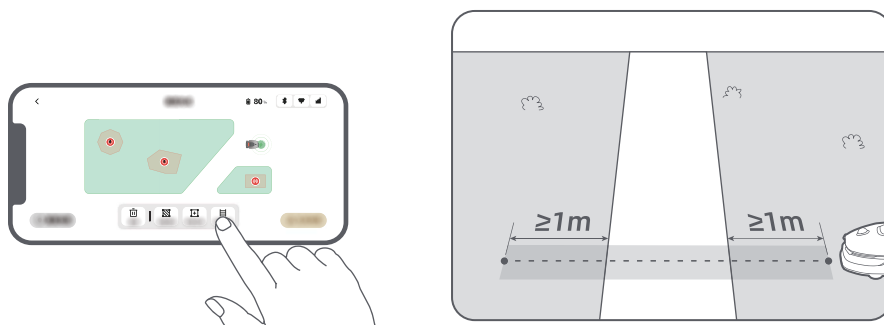
Nota: Se il tuo prato è diviso da passaggi più alti di 4 cm, posiziona un oggetto con una pendenza uguale in altezza al passaggio (come una rampa).



• Per connettere due zone di lavoro isolate

Se c'è uno spazio di sovrapposizione tra la nuova zona e la zona originale, esse saranno automaticamente combinate. Per zone isolate, crea percorsi per connetterle, altrimenti saranno inaccessibili a A1 Pro. Tocca "Percorso" e controlla da remoto A1 Pro per creare un percorso.

Nota: Assicurati che l'inizio e la fine del percorso siano nella zona di lavoro. Mantieni almeno 1 m di distanza tra inizio/fine del percorso e il confine.

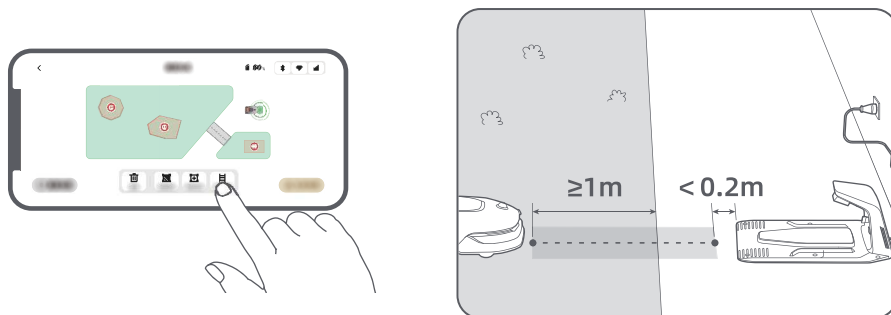


• Per connettere la zona di lavoro e la stazione di ricarica

Se la tua stazione di ricarica non è nella zona di lavoro, deve essere creato un percorso per collegarla alla zona di lavoro. Tocca "Percorso", e controlla da remoto A1 Pro per creare un percorso che gli permetta di tornare alla stazione.

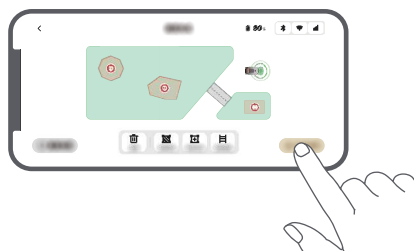
Nota: Quando crei un percorso, assicurati che una estremità si sovrapponga con la zona di lavoro di almeno 1 metro ($\geq 1\text{ m}$) e che l'altra estremità sia a meno di 0,2 metri ($< 0,2\text{ m}$) davanti alla stazione.

⚠ Attenzione: Durante la creazione del percorso di collegamento tra l'area di lavoro e la base di ricarica, non far attraccare A1 Pro da remoto nella base di ricarica, altrimenti il LiDAR rischia di bloccarsi e la mappatura viene annullata.



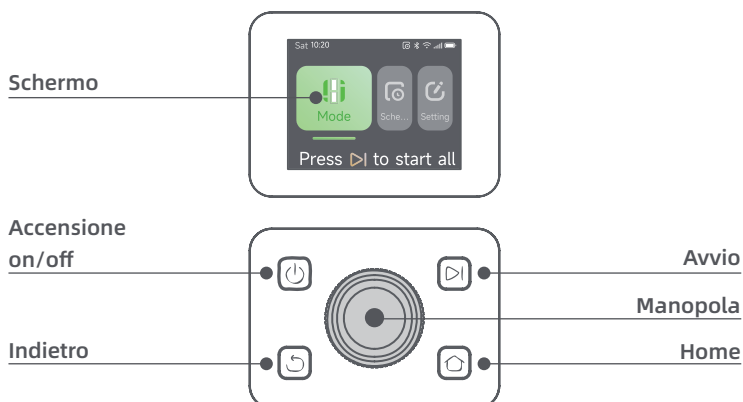
6.5 Finire mappa

Tocca "Finire mappa" quando le zone di lavoro, i percorsi e le zone di delimitazione sono completate. A1 Pro deve essere dentro la mappa quando la mappa è finita, altrimenti ti sarà chiesto di usare il controllo remoto per riportarlo dentro la mappa.







7 Operazione

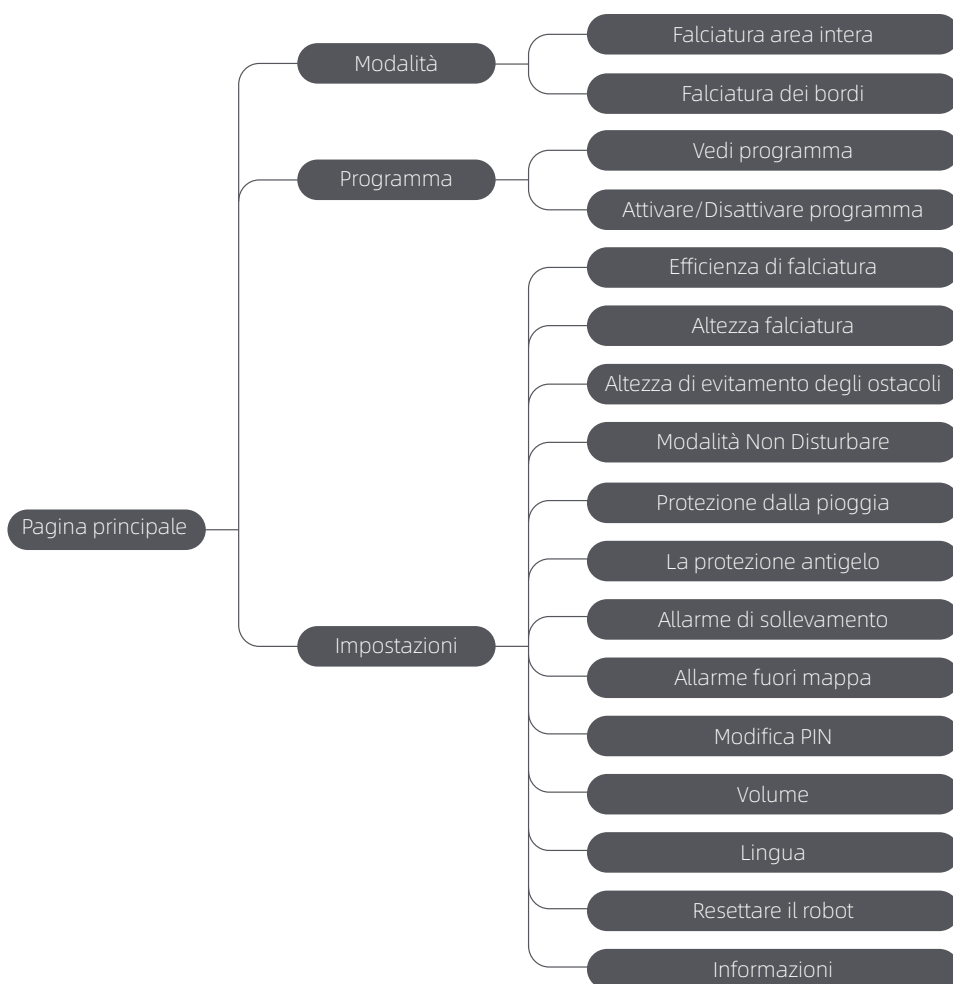
7.1 Familiarizza con il pannello di controllo



Icona	Stato
	Livello batteria (Mostra il livello corrente di batteria).
	In carica (A1 Pro si aggancia bene alla stazione di ricarica).
	Bluetooth (A1 Pro è connesso all'app tramite Bluetooth.)
	Wi-Fi (A1 Pro è connesso all'app tramite una rete Wi-Fi.)
	Servizio Link (servizio Link attivato).
	Programma (Un'attività è programmata per oggi ma non è ancora iniziata).

Pulsante	Funzione
Alimentazione 	Assicurati che A1 Pro sia fuori dalla stazione di ricarica. Tieni premuto il pulsante di Alimentazione per 2 secondi per accenderlo o spegnerlo.
Avvio 	Premi il pulsante Avvio e chiudi il coperchio entro 5 secondi per iniziare a falciare. L'attività è cancellata se il coperchio non è chiuso entro 5 secondi.
Home 	Premi il pulsante Home e chiudi il coperchio entro 5 secondi per rimandare A1 Pro alla stazione di ricarica. L'attività è cancellata se il coperchio non è chiuso entro 5 secondi.
Indietro 	Premi il pulsante Indietro per tornare alla pagina precedente.
Manopola	Premi la manopola per confermare la selezione nel menu.
	Tieni premuta la manopola per 3 secondi per permettere al Bluetooth di accoppiare la modalità su A1 Pro.
	Gira la manopola in senso orario/antiorario per navigare il menu.
Avvia + Indietro	Tieni premuto il pulsante Avvio e il pulsante Indietro insieme per 3 secondi per ripristinare le impostazioni di fabbrica di A1 Pro. Il codice PIN non viene eliminato.
Home + Indietro	Tieni premuto il pulsante Home e Indietro insieme per 3 secondi per impostare la pagina Informazioni nelle Impostazioni. La pagina Informazioni sparisce entro 5 secondi.
Manopola + Indietro	Tieni premuta la manopola e il pulsante Indietro insieme per 3 secondi per reimpostare il codice PIN.
Stop	Premi il pulsante Stop per aprire il coperchio del pannello di controllo e fermare A1 Pro. Il codice PIN deve essere inserito sul pannello di controllo per riprendere l'operazione di A1 Pro.

Panoramica della struttura del Menu



* Può essere aggiornato a seconda della versione del software.

7.2 Inizia la falciatura per la prima volta

Consigli prima della falciatura:

- Usa una falciatrice a spinta per falciare l'erba ad un'altezza non più di 10 cm.
- Elimina gli ostacoli inclusi detriti, mucchi di foglie, giochi, cavi e pietre dal prato. Assicurati che non ci siano bambini o animali sul prato quando A1 Pro sta falciando.
- Riempi i buchi nel prato.
- Imposta le tue preferenze di falciatura nell'app in anticipo (come efficienza di falciatura, altezza falciatura e direzione falciatura).



Premi il pulsante Avvio sul pannello di controllo e chiudi il coperchio superiore entro 5 secondi. A1 Pro lascia la stazione di ricarica e inizia la falciatura. Puoi anche toccare "Avvio" nell'app per iniziare la falciatura.

• **Avvia tramite il pannello di controllo**

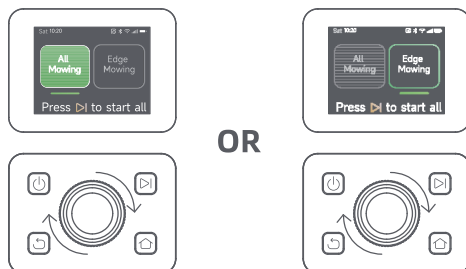
1. Premi il pulsante **Stop** per aprire il coperchio e inserisci il codice PIN.



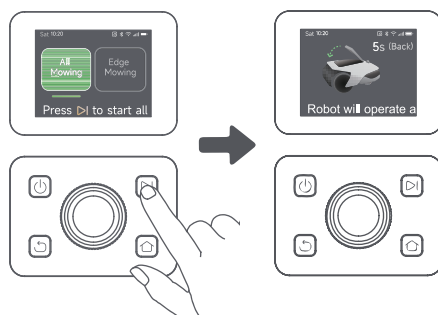
2. Seleziona "Modalità" sullo schermo e premi la manopola.



3. Gira la manopola per selezionare la modalità falciatura.



4. Premi il pulsante Avvio e chiudi il coperchio superiore entro 5 secondi. A1 Pro inizierà la falciatura.



• Avvia tramite app

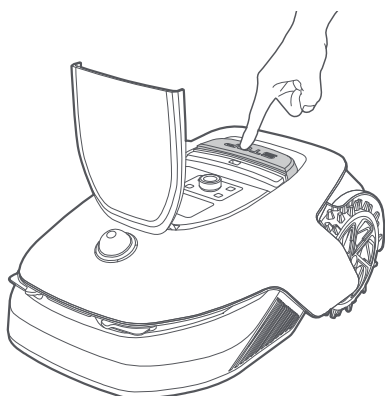
1. Apri l'app.
2. Seleziona una modalità di falciatura e tocca "Avvio" per iniziare la falciatura.



7.3 Pausa

Per mettere in pausa l'attuale attività di falciatura, puoi premere il pulsante Stop su A1 Pro o toccare "Metti in pausa" nell'app.

Nota: A1 Pro è bloccato e non può essere avviato direttamente tramite app dopo che il pulsante Stop è premuto. Per riprendere a falciare, inserisci il tuo codice PIN sul pannello di controllo prima.

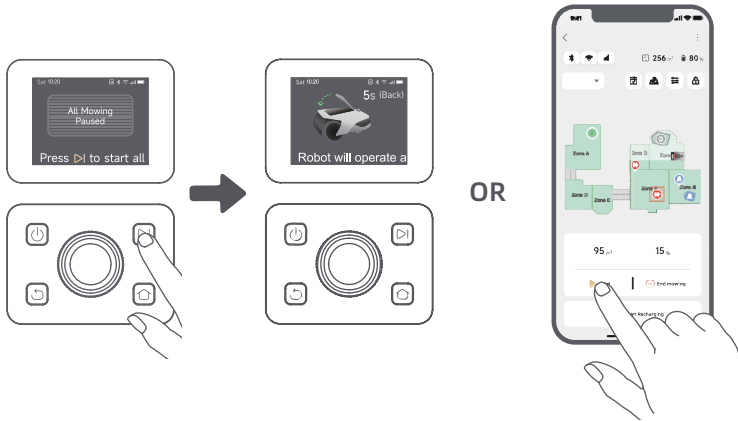


OR



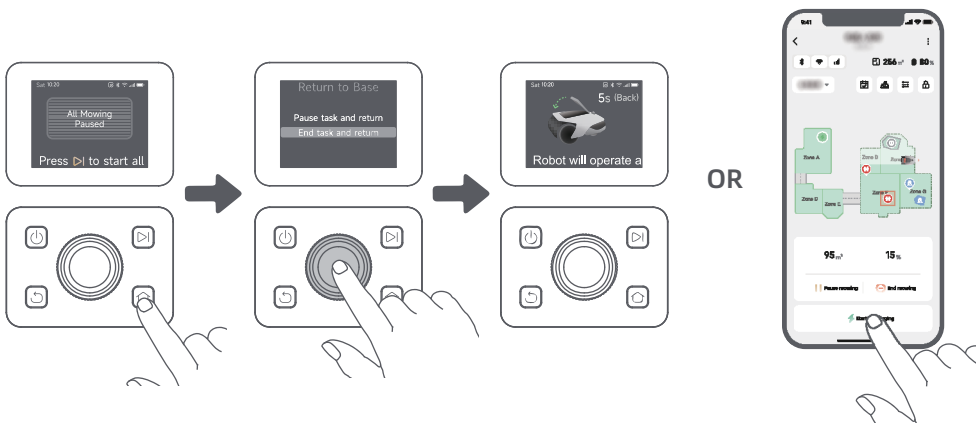
7.4 Ripristina

Per ripristinare l'attività quando A1 Pro è in pausa, premi il pulsante Avvio su A1 Pro e chiudi il coperchio entro 5 secondi. A1 Pro ripristina la precedente attività di falciatura. Puoi anche toccare "Continua" nell'app per ripristinare l'attività di falciatura.



7.5 Ritorna alla stazione di ricarica

Per fermare l'attività di falciatura e rimandare A1 Pro alla stazione di ricarica, conferma il tuo codice PIN sul pannello di controllo e poi premi il pulsante Home. Conferma per finire l'attività e chiudi il coperchio entro 5 secondi. A1 Pro ritorna automaticamente alla stazione di ricarica per ricaricarsi. Puoi anche toccare "Ritorna alla Stazione" nell'app per rimandare A1 Pro alla stazione di ricarica.



8 Dreamehome App

Dove puoi esplorare di più

Dreamehome App è più di un controllo remoto. Ci sono molte cose che puoi fare attraverso l'app: completare varie impostazioni da remoto, sperimentare diverse modalità di falciatura, modificare la mappa liberamente e aggiustare i programmi di falciatura. Inoltre, puoi vedere la mappa 3D del tuo prato direttamente sull'app.

8.1 Modalità falciatura

A1 Pro offre varie modalità di taglio. Puoi anche passare tra le modalità attraverso l'app.



8.2 Programma

Dopo che la prima mappa è completata, A1 Pro crea automaticamente due programmi di falciatura settimanale secondo la misura del prato, che sono "Programma Spr & Sum" e "Programma Aut & Win". Puoi toccare "Programma" nell'app per fare impostazioni dettagliate del programma. Con la funzione programma, puoi completare lasciare il lavoro quotidiano di falciatura a A1 Pro. Hai solo bisogno di dare manutenzione a A1 Pro regolarmente.

Nota: Se ti preoccupa che A1 Pro possa disturbare te e o i tuoi vicini quando lavora in autonomia durante certi orari, puoi andare su Impostazioni > Non disturbare e impostare l'orario Non disturbare nell'app.



8.3 Blocco bambino

Se ti preoccupa che i bambini possano attivare A1 Pro, puoi attivare la funzione "Blocco bambino" nell'app. Con questa funzione attivata, A1 Pro sarà bloccato se non viene eseguita nessuna operazione per 5 minuti quando il coperchio è aperto.



8.4 Protezione dalla pioggia

Se ti preoccupa che le condizioni meteorologiche avverse possano influenzare il lavoro di falciatura, puoi attivare la funzione "Protezione dalla pioggia" in "Impostazioni" sul pannello di controllo o nell'app. Con questa funzione abilitata, A1 Pro mette automaticamente in pausa la falciatura e ritorna alla stazione di ricarica quando piove. Puoi impostare l'orario di protezione dalla pioggia nell'app.



8.5 Protezione dal gelo

Quando la temperatura è sotto i 6 °C, le operazioni di falciatura causano danni permanenti al prato. La batteria non può ricaricarsi a causa dell'auto-protezione. Puoi attivare la funzione "La protezione antigelo" in "Impostazioni" sul pannello di controllo o nell'app. La funzione permette a A1 Pro di mettere automaticamente in pausa la falciatura e ritornare alla stazione di ricarica quando la temperatura ambiente è ≤ 6 °C. Riprende automaticamente il lavoro quando la temperatura è sopra i 11 °C.



8.6 Allarme di sollevamento

Con questa funzione attivata, A1 Pro è bloccato e l'allarme scatta immediatamente se viene sollevato.



8.7 Allarme fuori mappa

Con questa funzione attivata, A1 Pro è bloccato e l'allarme scatta immediatamente se è fuori dalla mappa. (Questa funzione richiede l'installazione del Modulo Link).



8.8 Posizione in tempo reale

Con il Modulo Link, puoi vedere la posizione attuale di A1 Pro su Google Maps.



Nota: Il team di sviluppo Dreame effettua continuamente aggiornamenti via etere e manutenzione sul firmware e sull'app. Controlla per notifiche di aggiornamento o attiva la funzione aggiornamento automatico per mantenere il firmware e l'app aggiornati e goditi più caratteristiche.

9 Manutenzione

Per una migliore prestazione e durata di A1 Pro, puliscilo regolarmente e sostituisci le parti usurate secondo la frequenza indicata di seguito:

Parte	Frequenza sostituzione
Lame	Ogni 6-8 settimane o prima
Spazzola di pulizia	Ogni 12 mesi o prima

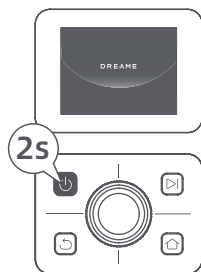
9.1 Pulizia

⚠ Attenzione: Prima della pulizia, disattivare A1 Pro e scollegare la stazione di ricarica.

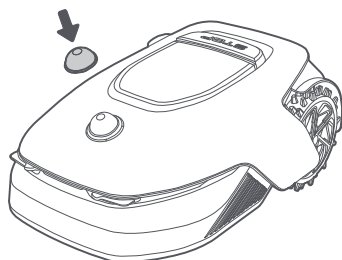
⚠ Attenzione: Assicurati che il coperchio protettivo LiDAR sia sul LiDAR prima di girare A1 Pro al contrario per evitare danni al LiDAR.

• Il corpo di A1 Pro, Telaio e disco di taglio:

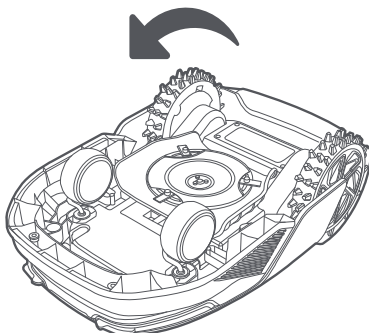
1. Disattiva A1 Pro.



2. Metti il coperchio protettivo LiDAR sul LiDAR.



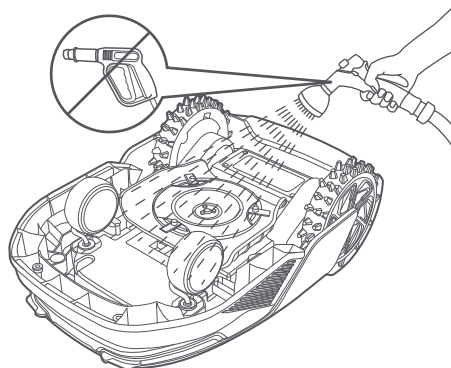
3. Gira A1 Pro al contrario.



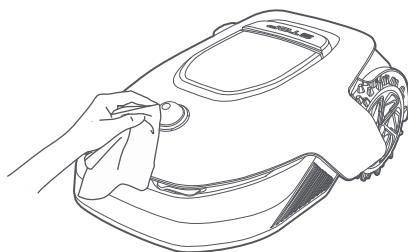
4. Utilizza un tubo flessibile per pulire il corpo, il disco di taglio e il telaio dell'A1 Pro.

⚠ Attenzione: Non toccare le lame mentre pulisci il telaio. Indossa i guanti quando pulisci.

⚠ Attenzione: Non usare un'idropulitrice ad alta pressione per la pulizia. Non usare detergenti per la pulizia.

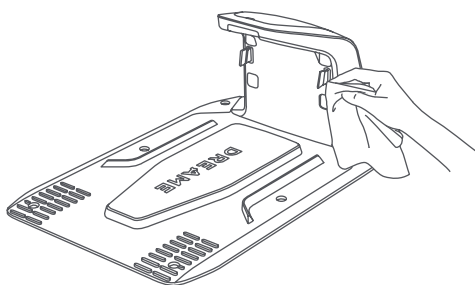
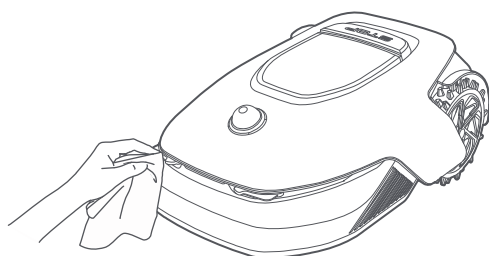


5. Usa un panno senza pelucchi per pulire attentamente il sensore lidar.



• Contatti di ricarica:

Usa un panno pulito per pulire i contatti di ricarica su A1 Pro e la stazione di ricarica. Mantieni i contatti di ricarica asciutti prima di pulire.



9.2 Sostituzione dei componenti

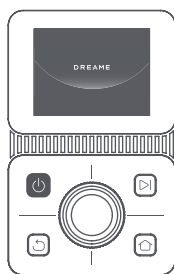
• Sostituzione delle lame

Per mantenere le lame affilate, sostituisci le lame regolarmente. Si raccomanda di sostituire le lame ogni 6-8 settimane o prima. Usa solo lame originali Dreame.

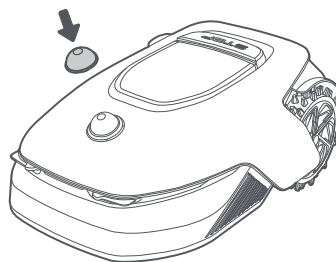
⚠ Attenzione: Disattiva A1 Pro e indossa i guanti protettivi prima di sostituire le lame.

Nota: Sostituisci tutte e tre le lame allo stesso tempo per assicurarti un sistema di taglio bilanciato.

1. Disattiva A1 Pro.

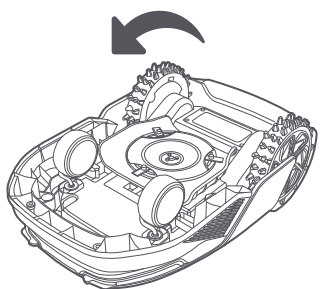


2. Assicurati che il coperchio protettivo LiDAR sia sopra.

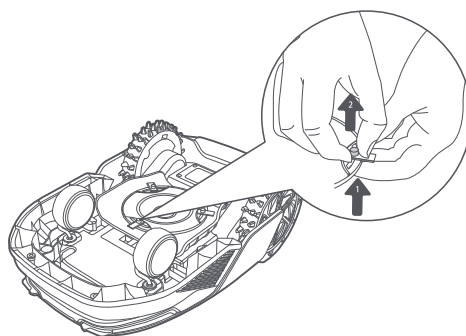


3. Metti A1 Pro su una superficie morbida e giralo al contrario.

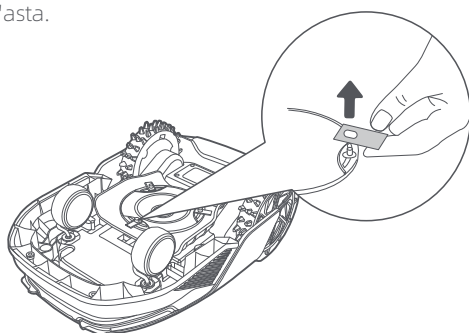
4. Rimuovi le prese premendo il pulsante sotto il disco di taglio.



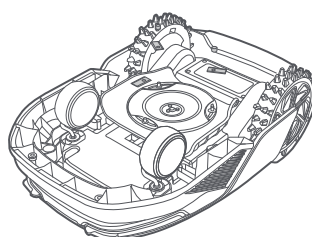
5. Rimuovi la lama allineando il buco della lama con l'asta.



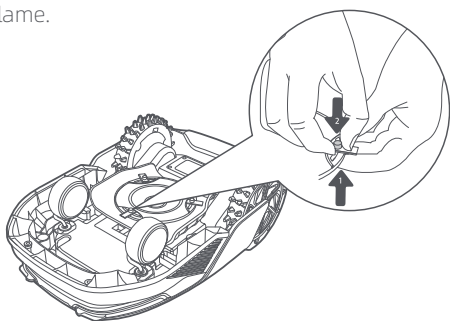
6. Rimuovi le 3 lame e le prese.



7. Premi il pulsante sotto il disco di taglio e allinea il buco della presa con l'asta per fissare le prese e le lame.



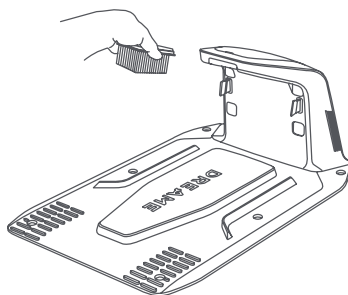
8. Assicurati che le lame possano ruotare liberamente.



• Sostituzione della spazzola di pulizia

Quando la spazzola di pulizia per il sensore LiDAR si consuma, le sue setole potrebbero sfilacciarsi o deteriorarsi, influenzando le prestazioni di pulizia. Sostituisci la spazzola di pulizia regolarmente per mantenere un buon risultato di pulizia. Si raccomanda di sostituire la spazzola di pulizia ogni 12 mesi o prima.

Nota: Prima di sostituire la spazzola di pulizia, assicurati di scollegare la stazione di ricarica.



10 Batteria

Per una conservazione a lungo termine, carica A1 Pro ogni 6 mesi per proteggere la batteria. I danni alla batteria causati da una scarica eccessiva non sono coperti dalla garanzia limitata. Non caricare la batteria in un ambiente con una temperatura superiore a 45° C (113° F) o inferiore a 6° C (43° F). La temperatura dello stoccaggio a lungo termine della batteria deve essere tra i -10 e i 35° C (14 e 95° F). Per minimizzare il danno, la temperatura raccomandata di conservazione per la batteria è tra 0 e 25° C (32 a 77° F).

Nota: La durata della batteria di A1 Pro dipende dalla frequenza di utilizzo e dalle ore di operazione. Se la batteria è danneggiata o non può essere caricata, non smaltire arbitrariamente la batteria obsoleta o difettosa. Rispetta le regole di riciclaggio locale.

Modalità di ricarica a basso consumo:

Con la modalità di ricarica a basso consumo attiva, le funzioni non relative a caricare saranno disabilitate. (Schermo e rete saranno disattivati).

- Per attivare una modalità di ricarica a basso consumo, tieni premuto il pulsante **Avvio** e il pulsante **Home** insieme, e premi il pulsante **Indietro** 5 volte velocemente allo stesso tempo. Sentirai un comando vocale: la modalità a basso consumo è attiva.
- Per disabilitare la modalità ricarica a basso consumo, riavvia A1 Pro o premi il pulsante Avvio 5 volte velocemente per disattivare la modalità carica a basso consumo.

11 Conservazione invernale

• A1 Pro

1. Carica la batteria completamente e disattiva A1 Pro.

2. Pulisci A1 Pro completamente prima di conservarlo per l'inverno.
3. Mettere il coperchio protettivo LIDAR.
4. Conserva A1 Pro in un luogo asciutto ad una temperatura superiore a 0° C.

• Stazione di ricarica

Scollega la stazione di ricarica e conservalo in un luogo asciutto e fresco, lontano dalla luce diretta del sole.

Nota: Se non hai usato A1 Pro per tanto tempo, rimappa il tuo giardino perché cambiamenti significativi all'ambiente del giardino possono causare errori di posizionamento.

12 Trasporto

In caso di viaggi lunghi, assicurarsi che A1 Pro sia spento. Si consiglia di utilizzare l'imballo originale. Mettere il coperchio protettivo LIDAR.

⚠ Attenzione: Disattiva A1 Pro prima di trasportarlo.

⚠ Attenzione: Solleva il prodotto dalla parte posteriore con il disco di taglio lontano dal tuo corpo.

13 Risoluzione problemi

Problema	Causa	Soluzione
A1 Pro non è connesso all'app.	1. A1 Pro non rientra nella copertura del segnale Wi-Fi o nel campo del Bluetooth. 2. A1 Pro è spento o si sta riavviando.	1. Controlla se A1 Pro ha completato il processo di accensione. 2. Controlla se il router funziona correttamente. 3. Avvicinarsi ad A1 Pro per stabilire una connessione Bluetooth.
A1 Pro sollevato.	La ruota non è sul terreno.	1. Rimetti A1 Pro su una superficie piana. 2. Inserisci il codice PIN su A1 Pro e conferma. 3. A1 Pro non può attraversare oggetti più alti di 4 cm. Mantieni il terreno uniforme dove sta lavorando.
A1 Pro ribaltato.	A1 Pro si ribalta più di 37°.	1. Rimetti A1 Pro su una superficie piana. 2. Inserisci il codice PIN su A1 Pro e conferma. 3. A1 Pro non può salire pendii più grandi di 45% (24°).
A1 Pro intrappolato.	A1 Pro è intrappolato e non può uscire.	1. Rimuovi gli ostacoli intorno e riprova. 2. Sposta manualmente A1 Pro su una superficie piana e aperta dentro la mappa e cerca di nuovo l'attività. Se continui a incontrare questo problema, riprova dopo che A1 Pro è nella stazione di ricarica. 3. Controlla se ci sono buchi nel terreno. Riempi i buchi prima della falciatura per prevenire che A1 Pro sia intrappolato. 4. Controlla se l'erba circostante è più alta di 10 cm. Puoi aggiustare l'altezza elusione ostacolo o usare un tosaerba a spinta per falciare il prato prima per evitare che A1 Pro sia intrappolato. 5. Se A1 Pro è spesso intrappolato in questa posizione, puoi impostarla come zona di delimitazione.
Errore ruota posteriore sinistra/destra	La ruota non può ruotare o il motore della ruota ha un problema.	1. Pulisci le ruote posteriori e riprova. 2. Se continui a riscontrare l'errore, prova a riavviare il robot. 3. Se il problema persiste, contatta il servizio post-vendita.
Il disco di taglio non può ruotare.	Il disco di taglio non può ruotare normalmente o il motore di taglio ha un problema.	1. Pulisci il disco della lama e riprova. 2. Controlla se l'erba circostante è più alta di 10 cm. Puoi usare un tosaerba a spinta per falciare il prato prima per evitare che il disco di taglio sia bloccato dall'erba alta. 3. Controlla se c'è acqua sotto il disco della lama. Se c'è acqua, sposta il robot in un luogo asciutto e riprova. 4. Se continui a riscontrare l'errore, prova a riavviare il robot. 5. Se il problema persiste, contatta il servizio post-vendita.

Problema	Causa	Soluzione
Errore paraurti.	Il sensore del paraurti anteriore è costantemente innescato.	<ol style="list-style-type: none"> 1. Controlla se A1 Pro è intrappolato da qualche parte. 2. Tocca gentilmente il paraurti e assicurati che rimbalzi indietro. 3. Se continui a riscontrare l'errore, prova a riavviare il robot. 4. Se il problema persiste, contatta il servizio post-vendita.
Errore di carica.	A1 Pro si aggancia alla stazione di ricarica, ma la corrente ricarica o il voltaggio ha un problema.	<ol style="list-style-type: none"> 1. Controlla se la stazione di carica è correttamente connessa alla corrente. 2. Controlla se i contatti di ricarica su A1 Pro e la stazione di ricarica sono puliti. 3. Dopo che il controllo è terminato, prova ad agganciare A1 Pro di nuovo nella stazione di ricarica. 4. Se il problema persiste, contatta il servizio post-vendita.
Temperatura della batteria troppo alta.	La temperatura della batteria è $\geq 60^{\circ}\text{C}$.	<ol style="list-style-type: none"> 1. Usa A1 Pro dove la temperatura ambiente è inferiore a 40°C. Puoi attendere fino a quando la temperatura della batteria diminuisce automaticamente. 2. Puoi disattivare A1 Pro e riavviarlo dopo un po'. 3. Se il problema persiste, contatta il servizio post-vendita.
LiDAR è bloccato.	LiDAR è bloccato (per esempio il coperchio protettivo LiDAR non è stato rimosso).	<ol style="list-style-type: none"> 1. Rimuovi il coperchio di protezione del lidar e riprova. 2. Se il lidar sulla parte superiore del robot è molto sporco, puliscilo con un panno senza pelucchi e riprova.
Malfunzionamento del lidar.	Il lidar è molto sporco o c'è un errore del sensore.	<ol style="list-style-type: none"> 1. Controlla se il lidar è sporco. Pulirlo se necessario e riprova. 2. Se continui a riscontrare l'errore, prova a riavviare il robot. 3. Se il problema persiste, contatta il servizio post-vendita.
A1 Pro è perso.	Il posizionamento è perso.	<ol style="list-style-type: none"> 1. Controlla se il LiDAR sulla superficie di A1 Pro è sporco. Lo sporco influenza la localizzazione. 2. Sposta manualmente A1 Pro in un luogo aperto dentro la mappa e prova a iniziare di nuovo l'attività. 3. Se la localizzazione non è recuperata, controlla da remoto A1 Pro fino alla stazione tramite l'app, e poi avvia l'attività di falciatura.
Errore sensore.	Errore sensore.	<ol style="list-style-type: none"> 1. Riavvia A1 Pro e riprova. 2. Se il problema persiste, contatta il servizio post-vendita.
A1 Pro è nella zona di delimitazione.	A1 Pro è nella zona di delimitazione.	<ol style="list-style-type: none"> 1. Sposta manualmente il robot fuori dall'area vietata e riprova. 2. Controlla il robot da remoto tramite l'app per spostarlo fuori dall'area vietata e riprova.
A1 Pro è fuori dalla mappa.	A1 Pro è fuori dalla mappa.	<ol style="list-style-type: none"> 1. Sposta manualmente il robot all'interno della mappa e riprova. 2. Controlla il robot da remoto all'interno della mappa tramite l'app e riprova.

Problema	Causa	Soluzione
L'arresto di emergenza è attivato.	Il pulsante Stop su A1 Pro è premuto.	Inserisci il codice PIN su A1 Pro per disattivare l'arresto di emergenza.
Batteria scarica. A1 Pro si spegnerà subito.	Il livello batteria è $\leq 10\%$.	Aggancia A1 Pro nella stazione di ricarica per caricare.
A1 Pro è lontano dalla mappa. Rischio di essere rubato.	A1 Pro è lontano dalla mappa.	<ol style="list-style-type: none"> 1. Inserisci il codice PIN per verificare. 2. Puoi disabilitare l'allarme fuori mappa nelle impostazioni sull'app.
Impossibile tornare alla stazione di ricarica.	A1 Pro non può trovare la stazione di ricarica quando torna alla stazione di ricarica.	<ol style="list-style-type: none"> 1. Controlla se ci sono ostacoli che bloccano A1 Pro. Rimuovi gli ostacoli e riprova. 2. Controlla da remoto A1 Pro fino alla stazione di ricarica tramite l'app.
Impossibile agganciare alla stazione di ricarica.	A1 Pro trova la stazione di ricarica ma non può agganciarsi.	<ol style="list-style-type: none"> 1. Controlla se le pellicole riflettenti sulla stazione di ricarica sono sporche o bloccate. 2. Controlla se ci sono ostacoli davanti alla stazione di ricarica. 3. Controlla se la stazione di ricarica è spostata. 4. Controlla se la piastra di base è coperta di fango spesso. 5. Verifica se la stazione ha energia. 6. Aiuta il robot ad attraccare alla stazione utilizzando il telecomando o manualmente.
Posizionamento non riuscito.	Posizionamento fallito quando A1 Pro prova a iniziare l'attività falciatura.	<ol style="list-style-type: none"> 1. Il lidar potrebbe essere ostruito. Sposta manualmente il robot in un luogo piatto e aperto all'interno della mappa e prova a ricominciare il compito. 2. Se continui a incontrare questo errore, riprova dopo che il robot è ancorato nella stazione.
Temperatura della batteria troppo alta.	Temperatura della batteria $\geq 45^{\circ}\text{C}$.	<ol style="list-style-type: none"> 1. La carica potrebbe fallire quando la temperatura della batteria è superiore a 45°C. 2. Usa A1 Pro dove la temperatura ambiente è inferiore a 40°C.
Temperatura della batteria troppo bassa.	Temperatura della batteria $\leq 6^{\circ}\text{C}$.	<ol style="list-style-type: none"> 1. La carica potrebbe fallire quando la temperatura della batteria è inferiore a 6°C. 2. Usa A1 Pro dove la temperatura ambiente è sopra i 6°C.
Il disco a lama non si muove verso l'alto o verso il basso.	Il disco a lama non si muove verso l'alto o verso il basso.	<ol style="list-style-type: none"> 1. Pulire il disco a lama e riprovare. 2. Se si continua a riscontrare questo errore, prova a riavviare il robot. 3. Se il problema persiste, contattare l'assistenza post-vendita.
Spazio insufficiente per girare di fronte alla stazione.	Spazio insufficiente per girare di fronte alla stazione.	<ol style="list-style-type: none"> 1. Se la stazione è posizionata sul bordo della mappa o all'interno di essa, assicurarsi che vi sia almeno 1 m di spazio libero tra l'area anteriore della piastra di base della stazione e il limite della mappa; altrimenti, il robot potrebbe non essere in grado di girare. 2. Spostare la stazione, o modificare la mappa in Modifica mappa.

14 Specifiche

Informazioni di base	Nome del prodotto	Dreame tosaerba robotico
	Marchio	Dreame
	Dimensioni	643 × 436.5 × 261 mm (25.3 × 17.2 × 10.2 in)
	Peso (batteria inclusa)	12.6 kg (27.7 lbs)
Falciatura	Capacità lavorativa consigliata	2000 m ² (0.5 acre)
	Efficienza di falciatura	Standard: 120 m ² (0.03 acre)/h Efficiente: 200 m ² (0.05 acre)/h
	Altezza falciatura	30~70 mm (1.2~2.8 in)
	Larghezza falciatura	22 cm (8.7 in)
	Tempo di ricarica ^[1]	65 min
Emissioni di rumore	Livello di potenza sonora LWA	64 dB(A)
	Potenza sonora incertezze KWA	3 dB(A)
	Pressione del suono livello LpA	56 dB(A)
	Pressione del suono incertezze KpA	3 dB(A)
Condizioni di lavoro	Temperatura di lavoro	0~50° C (32~122° F) Raccomandata: 10~35° C (50~95° F)
	Temperatura dello stoccaggio a lungo termine	-10~35° C (14~95° F) Raccomandata: 0~25° C (32~77° F)
	Classificazione IP	Falciatrice: IPX6 Stazione di ricarica: IPX4 Alimentazione elettrica: IP67
	Pendenza massima per l'area da falciare	45% (24°)
Connessione	Campo di frequenza Bluetooth	2400.0~2483.5 MHz
	Wi-Fi	Wi-Fi 2.4 GHz (2400~2483.5M)
	Potenza RF massima	802.11b:16±2dBm(@11Mbps) 802.11g:14±2dBm(@54Mbps) 802.11n:13±2dBm(@HT20,HT40) Bluetooth: 7.49dBm
	Servizio Link (facoltativo) ^[2]	LTE-FDD: B1/3/7/8/20/28A LTE-TDD: B38/40/41
	GNSS (facoltativo) ^[3]	GPS/GLONASS/BDS/Galileo/QZSS

Motore di guida	Velocità di guida sotto controllo da remoto	0.45 m/s
	Velocità di guida quando falcia	Standard: 0.35 m/s Efficient: 0.6 m/s
Motore falciante	Velocità	2200 /min
Batteria (falciatrice)	Tipo batteria	Batteria a ioni di litio
	Capienza stimata	5000 mAh
	Tensione nominale	18 V
Alimentazione elettrica	Voltaggio di ingresso	100~240 V
	Voltaggio di uscita	20 V
	Uscita corrente	3 A
Stazione di ricarica	Voltaggio di ingresso	20 V
	Voltaggio di uscita	20 V
	Ingresso corrente	3 A
	Uscita corrente	3 A

[1] Il tempo di ricarica viene applicato quando A1 Pro ritorna automaticamente alla stazione di ricarica a batteria scarica.

[2] Richiede l'installazione del modulo Link.

[3] Richiede l'installazione del modulo Link.

Nota: Le specifiche sono soggette a cambiamento poiché miglioriamo continuamente il nostro prodotto. Per le ultime informazioni, visita il nostro sito web su global.dreametech.com.

Traducción del manual original

Índice

1 Instrucciones de seguridad	P150
2 Contenido de la caja	P154
3 Resumen del producto	P155
4 Instalación	P156
5 Preparaciones antes del uso	P158
6 Cree un mapa de su jardín	P161
7 Funcionamiento	P167
8 App Dreamehome	P172
9 Mantenimiento	P174
10 Batería	P178
11 Almacenamiento en invierno	P178
12 Transporte	P178
13 Solución de problemas	P179
14 Especificaciones	P182

1 Instrucciones de seguridad

1.1 Instrucciones generales de seguridad

- Lea atentamente el manual del usuario y compréndalo bien antes de utilizar el producto.
- Con este producto sólo debe utilizar el equipo recomendado por Dreame. Usarlo de otro modo es incorrecto.
- No permita nunca que los niños, las personas discapacitadas, con retraso mental o sensorial, sin experiencia ni conocimientos o las personas no familiarizadas con estas instrucciones utilicen la máquina, las leyes locales también pueden restringir la edad del operario.
- No permita que los niños estén cerca de la máquina ni tampoco que jueguen con ella cuando está en marcha.
- No utilizar el producto en zonas donde las personas no sepan que está.
- Cuando se utiliza el producto manualmente con la aplicación Dreamehome, no corra. Camine siempre, vigilando sus pasos en las pendientes y procure mantener el equilibrio en todo momento.
- Evite usar el producto cuando haya personas en la zona de trabajo, sobre todo niños o animales.
- Si utiliza el producto en áreas públicas, ponga señales de advertencia alrededor del área de trabajo, avisando con el texto: "¡Atención! ¡Cortadora de césped automática! ¡Mantener la distancia a la máquina! ¡Vigile a los niños!"
- Lleve puesto calzado resistente y pantalones largos al utilizar el producto.
- Para evitar provocar daños al producto y accidentes con otros vehículos y personas, no defina las zonas de trabajo o rutas que atraviesen las vías públicas.
- No toque las piezas móviles peligrosas, por ejemplo el disco de corte, hasta que se haya detenido por completo.
- Busque ayuda médica si sufre lesiones o accidentes.
- Ponga el producto en OFF antes quitar los bloqueos, realizar tareas de mantenimiento o revisar el producto. Si el producto vibra de manera anormal, revise si ha sufrido daños antes de encenderlo de nuevo. No utilizar el producto si tiene alguna pieza defectuosa.
- No conectar ni tocar un cable dañado hasta desconectarlo del enchufe. Si se daña el cable durante la utilización, desconectar el cable del enchufe. Un cable gastado o dañado aumenta el riesgo de sufrir una descarga eléctrica y debe cambiarlo el personal de servicio.
- No ponga el cable principal por las zonas que el producto pueda cortar. Siga las instrucciones dadas para instalar los cables.
- Para cargar el producto, sólo debe utilizar la estación de carga que se incluye en el paquete. Hacer un uso incorrecto puede causar descargas eléctricas, sobrecalentamiento o fugas de líquido corrosivo de la batería. Si se produce una fuga de electrolito, debemos lavar con agua/producto neutralizante y buscar asistencia médica en caso de que el líquido corrosivo contacte con los ojos.
- Cuando se conecta el cable principal al enchufe, se debe utilizar un dispositivo de corriente residual (RCD) con una corriente de disparo máxima de 30 mA.
- Sólo debe utilizar las baterías originales recomendadas por Dreame. No es posible garantizar la seguridad del producto si no se utilizan pilas originales. No utilice baterías no recargables.
- Mantenga los alargadores lejos de las piezas móviles peligrosas para evitar daños y que puedan entrar en contacto con las piezas que tienen tensión.
- Las ilustraciones que acompañan este documento sirven sólo como referencia. Eche un vistazo al producto real.
- No empuje con fuerza o rápidamente el producto, ya que esto puede dañarlo.
- Para mantener el cumplimiento con el requisito de exposición a RF, se debe mantener una distancia de separación de 35 cm entre el dispositivo y la persona.
- Para recargar la batería, utilice únicamente la unidad de suministro desmontable proporcionada con este aparato.

1.2 Instrucciones de seguridad para la instalación

- Evite instalar la estación de carga en sitios en los que las personas puedan tropezar.

- No instale la estación de carga en sitios con riesgo de que el agua se quede estancada.
- No instale la estación de carga, incluyendo los accesorios, a menos de 60 cm/24 pulgadas de cualquier material combustible. Un fallo de funcionamiento o el sobrecalentamiento de la estación de carga y de la fuente de alimentación pueden suponer un riesgo de incendio.
- Para los usuarios de EE.UU./Canadá: si instala la fuente de alimentación en exteriores, esto supone un riesgo de descarga eléctrica. Sólo debe instalarlo en un receptáculo tipo GFCI (RCD) de clase A cubierto por una carcasa para uso en exteriores, asegurándose de que la tapa del conector está insertada o retirada.

1.3 Instrucciones de seguridad para la utilización

- Mantenga manos y pies lejos de las cuchillas giratorias. No ponga las manos o los pies cerca o bajo el producto cuando esté en marcha.
- No levante ni mueva el producto cuando esté en marcha.
- Utilice el modo aparcamiento o ponga en **OFF** el producto cuando haya personas, sobre todo niños o animales, en la zona de trabajo.
- Asegúrese de que no haya piedras, ramas, herramientas o juguetes encima del césped. De lo contrario, las cuchillas podrían resultar dañadas al contactar con un objeto.
- No debe dejar objetos encima del producto o de la estación de carga.
- No utilice el producto en caso de que el botón **STOP** no funcione.
- Evite las colisiones del producto con personas o animales. Si una persona o animal está en la ruta del dispositivo, deténgalo de inmediato.
- Apague siempre el producto poniéndolo en **OFF** cuando no lo esté usando.
- No debe utilizar el producto al mismo tiempo que un aspersor emergente. Puede usar la función Programar para asegurarse de que el producto y el aspersor emergente no se ponen en marcha al mismo tiempo.
- Evite poner un canal de conexión en el lugar donde están instalados los rociadores emergentes.
- No use el producto en zonas de trabajo con agua estancada, por ejemplo, si llueve mucho o hay charcos de agua.

1.4 Instrucciones de seguridad para el mantenimiento

- Ponga el producto en **OFF** para labores de mantenimiento.
- Desconectar el enchufe de la estación de carga o quitar el dispositivo de desactivación antes de proceder a limpiar o hacer el mantenimiento de la estación de carga.
- No utilizar limpiador a alta presión ni disolventes para la limpieza del producto.
- Al terminar la limpieza, asegúrese de colocar el producto sobre el suelo con una orientación normal, nunca boca abajo.
- No de la vuelta al producto para limpiar el chasis. Si le da la vuelta para limpiarlo, asegúrese de ponerlo correctamente después. Esta medida de precaución es necesaria para evitar que entre agua al motor y que esto pueda afectar a su funcionamiento normal.

1.5 Seguridad de la batería

Las baterías de iones de litio pueden llegar a explotar o provocar incendios si se desmontan, sufren un cortocircuito, están expuestas al agua, al fuego o a las altas temperaturas. Debe utilizarlas con cuidado, no desmontar ni abrir la batería y evitar cualquier tipo de maltrato eléctrico o mecánico. Guárdelas lejos de la luz solar directa.

1. Solo debe utilizar el cargador de baterías y la fuente de alimentación que suministra el fabricante.

Utilizar un cargador y una fuente de alimentación no adecuados puede provocar descargas eléctricas y/o sobrecalentamiento.

2. ¡NO TRATE DE REPARAR O MODIFICAR LAS BATERÍAS! Los intentos de reparación pueden provocar lesiones personales graves, por explosiones o por descargas eléctricas. En caso de fuga, sepa que los electrolitos

liberados son tóxicos y corrosivos.






3. Las baterías de este aparato sólo pueden ser cambiadas por personal cualificado.

1.6 Riesgos residuales

Para evitar lesiones, utilizar guantes de protección para cambiar las cuchillas.

1.7 Símbolos y calcomanías

	ADVERTENCIA - Lea las instrucciones de uso antes de usar la máquina.
	ADVERTENCIA - Mantenga una distancia segura a la máquina cuando la utilice.
	ADVERTENCIA - Utilice el dispositivo de desactivación antes de trabajar o levantar la máquina.
	ADVERTENCIA - No se suba a la máquina.
	ADVERTENCIA - No se permite desechar este producto como si fuera basura doméstica. Asegúrese de que se recicla siguiendo los requisitos legales locales.

	Este producto cumple con las Normativas aplicables de la CE.
	Clase III
	Lea las instrucciones antes de cargar.
	Corriente continua
	Clase II

USO PREVISTO

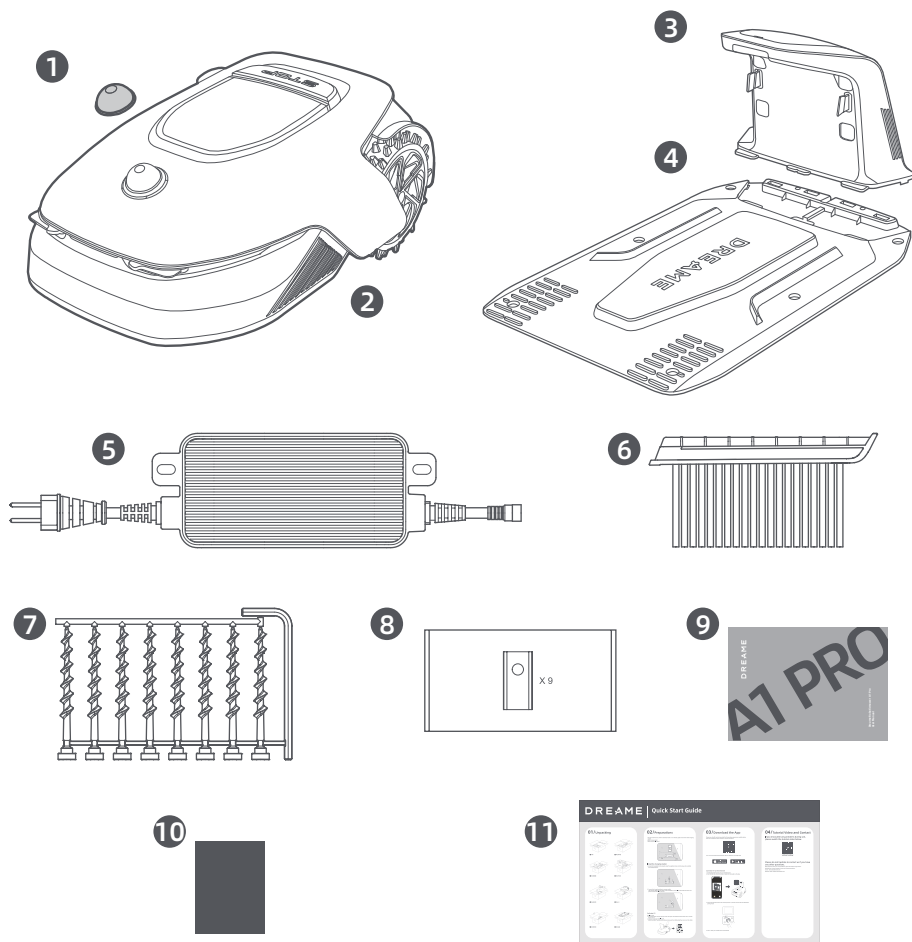
El producto de jardín está destinado a la siega de césped doméstico. Está diseñado para cortar a menudo, manteniendo un césped más saludable y con mejor aspecto que nunca. Dependiendo del tamaño de su césped, su cortacésped puede ser programado para operar en cualquier momento o frecuencia. No es adecuado para cavar, barrer o limpiar nieve.



Por la presente, Dreame Trading (Tianjin) Co., Ltd. declara que el modelo del equipo radioeléctrico, robot cortacésped MLLA7110 de Dreame, cumple con la Directiva 2014/53/UE. El texto completo de la declaración UE de conformidad está disponible en la siguiente dirección de Internet: <https://global.dreame.tech.com>

Para el manual electrónico detallado, vaya a <https://dreame.tech.zendesk.com/hc/en-us/categories/7968864195993-User-Manual>

2 Contenido de la caja



1 Cubierta protectora del lidar

2 A1 Pro

3 Torre de carga
(con un 10m cable de extensión)

4 Placa base

5 Fuente de alimentación

6 Cepillo de limpieza

7 8 tornillos, una llave hexagonal

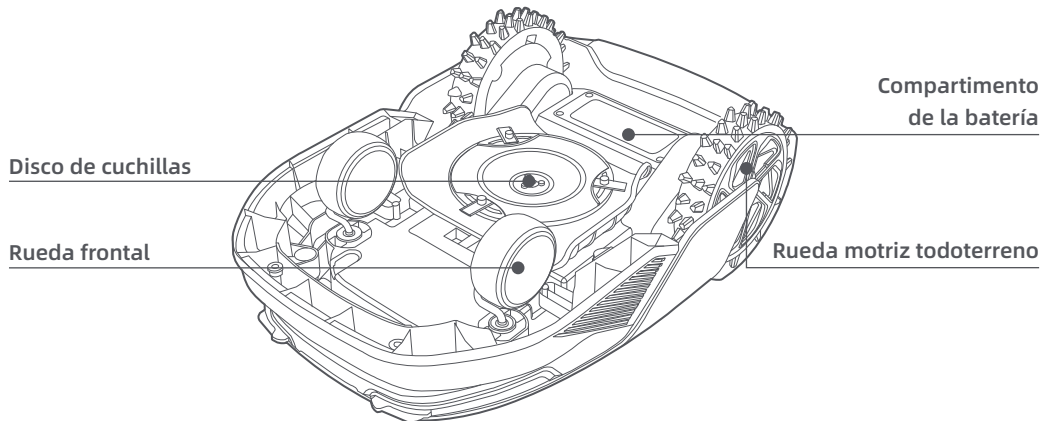
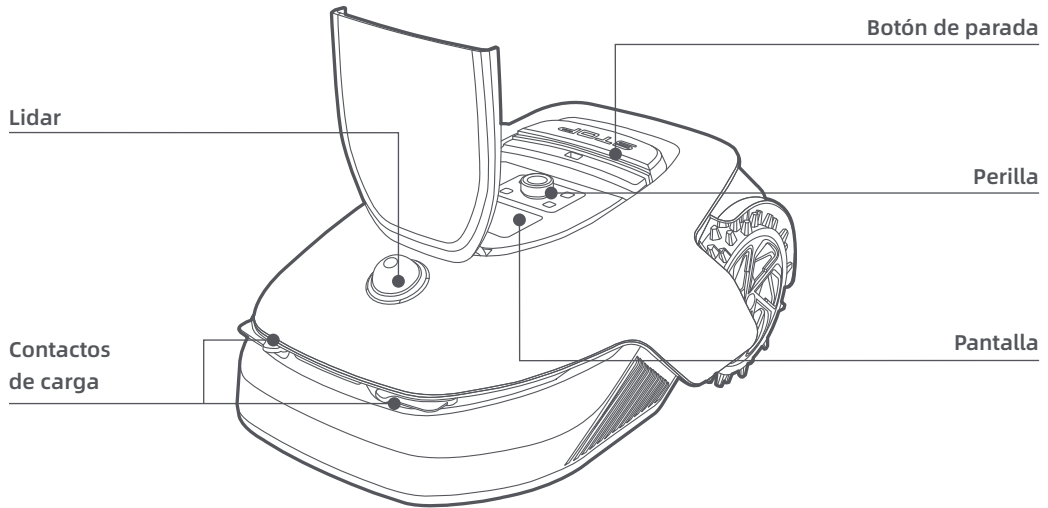
8 Cuchilla de repuesto x 9

9 Manual de usuario

10 Paño sin pelusa

11 Guía de inicio rápido

3 Resumen del producto



Sensor

Nombre	Descripción
Lidar	Obtiene información del entorno y facilita el posicionamiento, la evasión de obstáculos y el sensor de agua y suciedad del A1 Pro. Alcance de la detección: 70 m con gran angular horizontal de 360° y vertical de 59° .

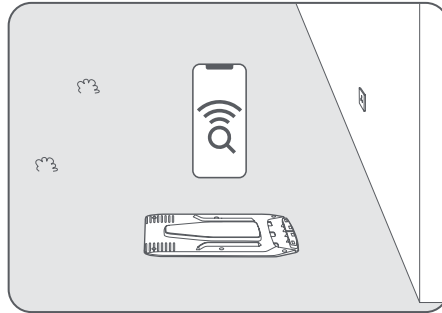
4 Instalación

4.1 Elija una ubicación adecuada

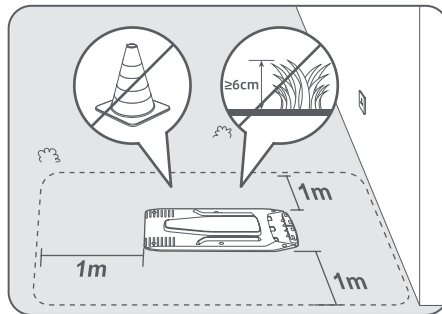
- Coloque la estación de carga en una superficie nivelada cerca del borde del césped y un enchufe. Se recomienda colocar la estación de carga en una zona con una buena señal Wi-Fi.

Nota: utilice su dispositivo móvil para ayudar a comprobar la intensidad de la señal Wi-Fi de la ubicación. Una buena señal Wi-Fi mejora la estabilidad de la conexión entre el A1 Pro y la app.

Nota: Asegúrese de que la tierra es lo suficientemente blanda para permitir la instalación de tornillos.

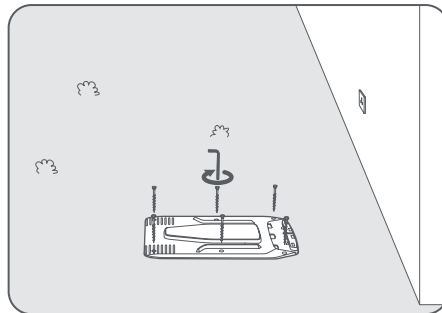


- Mantenga al menos 1 m de espacio libre sin obstáculos a la izquierda, a la derecha y delante de la estación de carga. Asegúrese de que la hierba que rodea la ubicación sea más baja de 6 cm. Si la hierba es más alta, córtela primero con un cortacésped de empuje. La hierba alta puede dificultar al A1 Pro el regreso a la estación de carga.

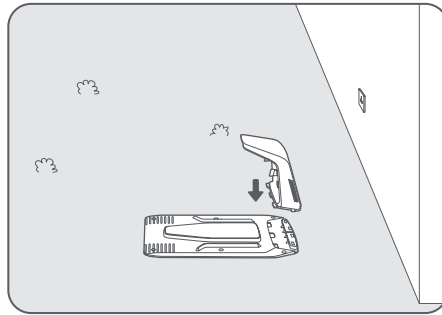


4.2 Instale la estación de carga

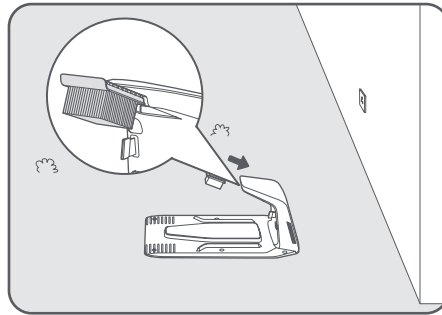
- 1 Fije la placa base al suelo con los tornillos suministrados utilizando la llave hexagonal.



- 2 Introduzca la torre de carga en la placa base hasta que escuche un clic.

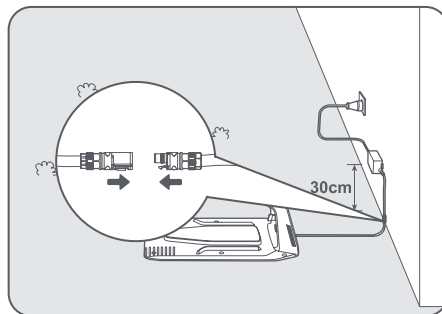


- 3 Introduzca el cepillo de limpieza en la torre de carga alineando la lengüeta con la ranura.



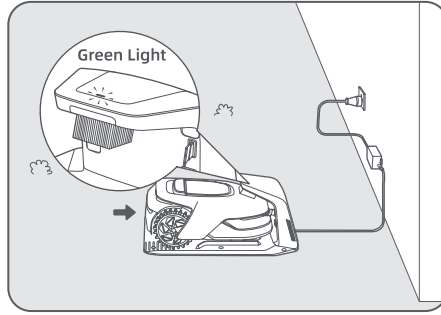
- 4 Conecte la fuente de alimentación al cable de extensión y luego a un enchufe. Mantenga la fuente de alimentación al menos 30 cm por encima de la tierra.

Nota: el indicador LED de la estación de carga estará constantemente en azul si todas las conexiones están correctas si hay alimentación.



- 5 Ponga el A1 Pro a cargar en la estación. Asegúrese de que los contactos de carga del A1 Pro y de la estación de carga estén conectados correctamente.

Nota: La luz indicadora parpadeará en verde si A1 Pro se está cargando correctamente en la estación de carga.



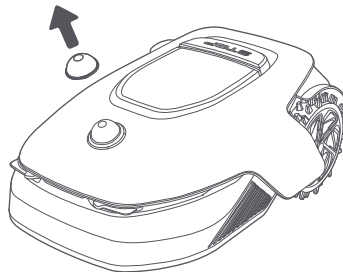
Indicador LED de la estación de carga

Color de la luz del indicador LED	Significado
Rojo parpadeante/fijo	1. La estación de carga tiene un problema (por ejemplo, un problema de corriente o tensión de carga). 2. El A1 Pro se acopla a la estación de carga, pero la carga no es normal (por ejemplo, los contactos de carga tienen un cortocircuito).
Azul fijo	La estación de carga tiene corriente. El A1 Pro no está en la estación de carga.
Verde parpadeante	El A1 Pro se está cargando en la estación.
Verde fijo	El A1 Pro está en la estación de carga y completamente cargado.

5 Preparaciones antes del uso

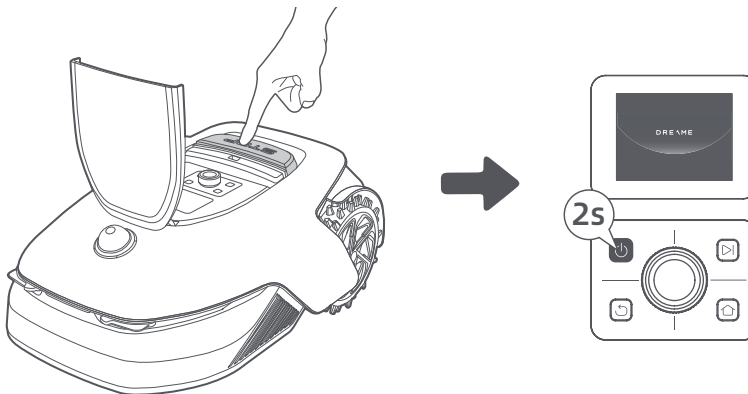
Cuando se enciende el A1 Pro por primera vez, se deben realizar algunas configuraciones básicas antes de que el A1 Pro esté listo para empezar a trabajar.

- 1 Retire la cubierta protectora del lidar.



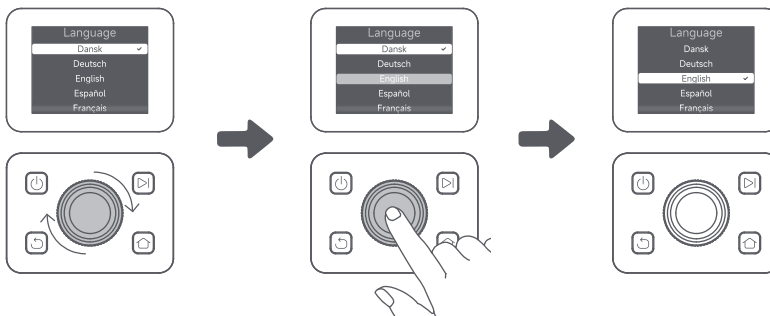
2 Pulse el botón de parada para abrir la cubierta del panel de control. Mantenga pulsado el botón de encendido del panel de control durante 2 segundos para encender el A1 Pro.

Nota: El A1 Pro se encenderá automáticamente cuando se acople a la estación de carga.



3 Seleccione el idioma que prefiera

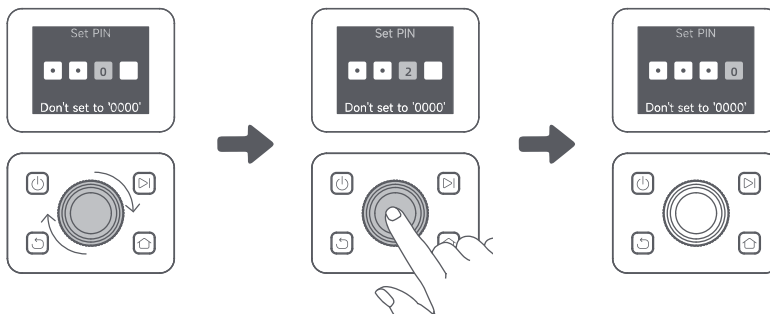
Gire la perilla en sentido horario para bajar y en sentido antihorario para subir a la hora de elegir el idioma. Pulse la perilla para confirmar.



4 Establezca un código PIN

1. Gire la perilla para elegir un número del 0 al 9. Gírela en sentido horario para aumentar el número de 0 a 9 y en sentido antihorario para reducirlo. Pulse la perilla para establecer el siguiente dígito. Para modificar el dígito anterior, gire la perilla en sentido antihorario hasta que el número llegue a 0 y vuelva a girarla una vez más.

Nota: no establezca «0000» como código PIN.



2. Vuelva a introducir el código PIN para completar la configuración.

Nota: si las dos contraseñas no coinciden, vuelva a introducir la nueva contraseña.

5 Conecte el A1 Pro a Internet

Escanee el código QR para descargar la app Dreamehome en su dispositivo móvil. Tras la instalación, cree una cuenta e inicie sesión.



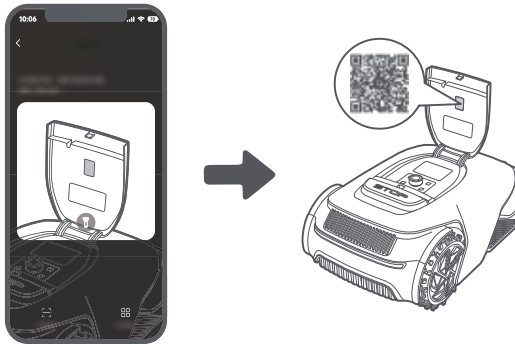
También puede descargar la app Dreamehome de la App Store o de Google Play.



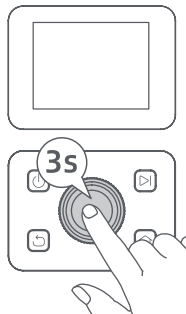
1) Conexión Bluetooth

1. Active la función Bluetooth en su dispositivo móvil.

2. Escanee el código QR del interior de la cubierta o seleccione el A1 Pro manualmente en la app.



3. Mantenga pulsada la perilla del panel de control durante 3 segundos y el A1 Pro entrará en el modo de emparejamiento Bluetooth.



4. Empareje el A1 Pro con su dispositivo móvil por Bluetooth.

Nota: Asegúrese de que su dispositivo móvil se encuentra a menos de 10 metros del A1 Pro.

2) Conexión Wi-Fi

Asegúrese de que el A1 Pro y su dispositivo móvil están en la misma red Wi-Fi. Siga las instrucciones de la app para completar la conexión.

Nota: utilice una red de banda única de frecuencia 2,4 GHz o una red de banda dual de frecuencia 2,4/5 GHz.

Nota: también puede comprar el módulo de enlace para controlar el A1 Pro de forma remota sin una conexión Wi-Fi.

¿Cómo desvincular el A1 Pro?

El A1 Pro se vincula automáticamente a la cuenta de Dreamehome tras completar el emparejamiento. Cada dispositivo solo se puede vincular a una cuenta. No se puede vincular a otra cuenta al mismo tiempo.

Para emparejar el A1 Pro con una nueva cuenta, debe desvincularlo primero. Puede ir a "**Dispositivo**", y tocar

Más > Borrar en la esquina superior derecha para desvincular el dispositivo.

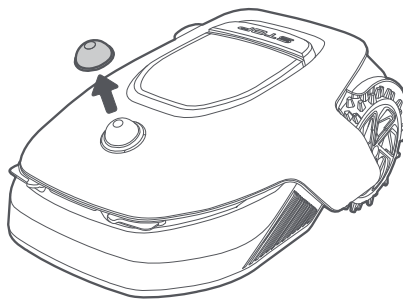
¿Cómo cerrar sesión en su cuenta de Dreamehome o borrarla?

Para cerrar sesión, vaya a Mi > Configuración > Cuenta > Cerrar Sesión. Para borrar la cuenta, vaya a Mi > Configuración > Cuenta > Borrar Cuenta.

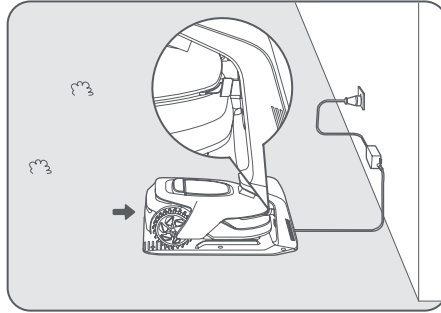
6 Cree un mapa de su jardín

Antes de crear el mapa, compruebe lo siguiente:

- El nivel de batería del A1 Pro es superior al 50 %.
- Se ha retirado la cubierta protectora del lidar.

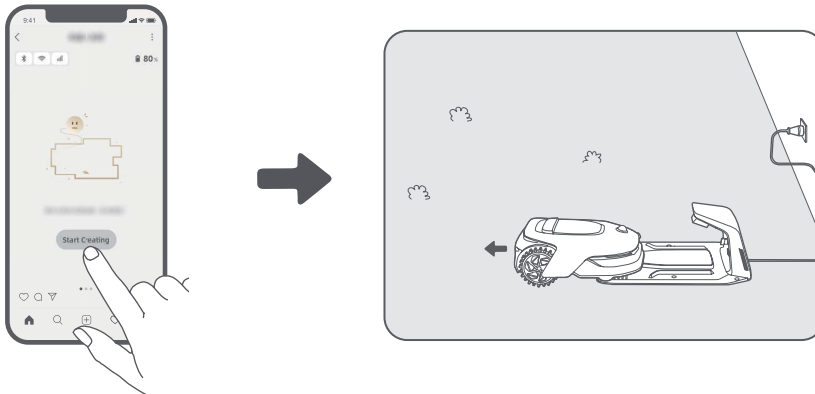


- A1 Pro se acopla correctamente en la estación de carga.

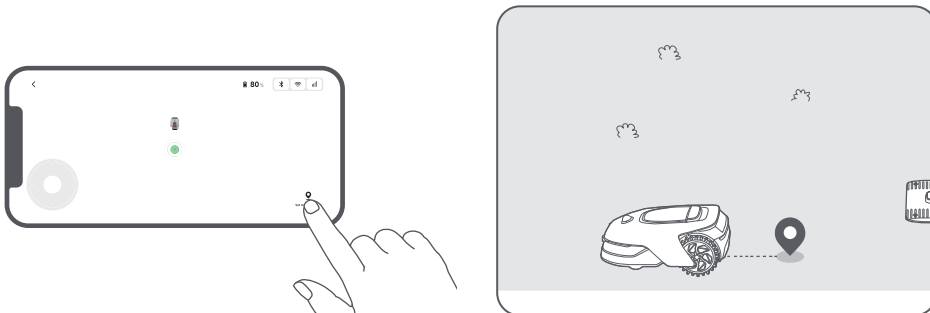


6.1 Cree el límite

- 1 Pulse «Empezar a crear» en la app, y el A1 Pro comprobará su estado y se calibrará. Abandonará automáticamente la estación de carga para realizar la calibración. Tenga cuidado.



- 2 Controle el robot de forma remota hasta el borde de su césped y pulse «Establecer un punto de inicio» para confirmar el punto de inicio del límite.

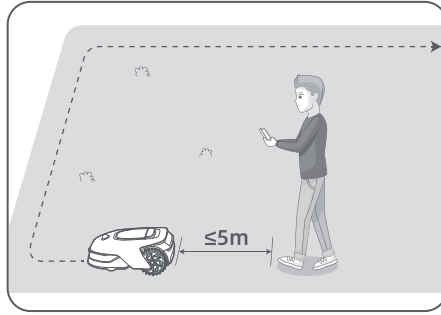


- 3 Controle el A1 Pro de forma remota para moverlo por el borde del césped para crear la zona de trabajo. Cuando controle el A1 Pro de forma remota para crear el límite, tenga lo siguiente en cuenta:

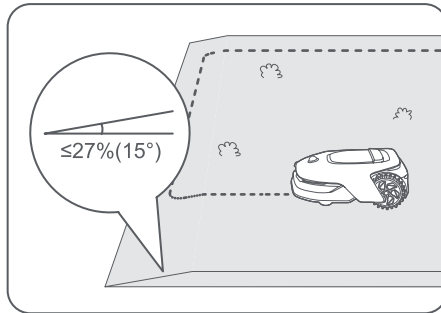
⚠ Advertencia: No mueva el A1 Pro manualmente cuando cree el límite, de lo contrario, fallará el mapeo.

⚠ Advertencia: Cuando empiece el mapeo con el mando a distancia, no acople el A1 Pro a la estación de carga a distancia hasta que finalice el mapeo. De lo contrario, el LiDAR puede bloquearse y hacer que el mapeo falle.

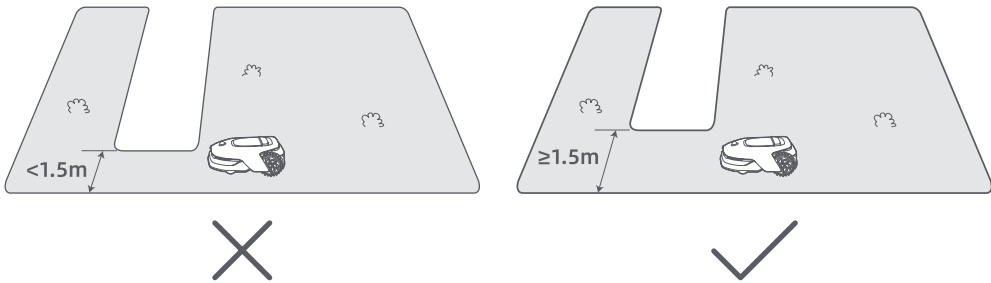
- Camine a menos de 5 m por detrás del A1 Pro cuando lo controle de forma remota.



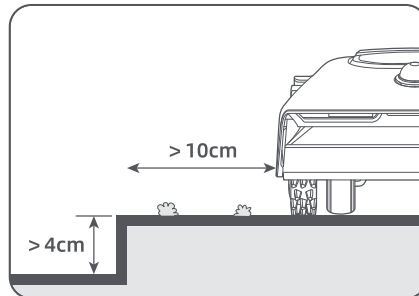
- No cree el límite en una pendiente que exceda el 27 %.



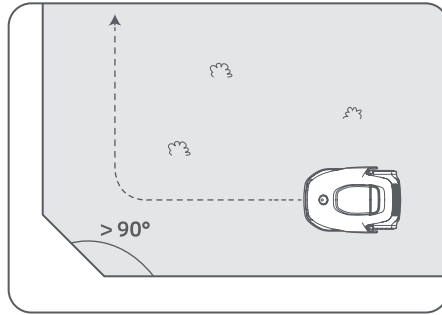
- Evite crear límites dentro de pasillos más estrechos de 1.5 m.



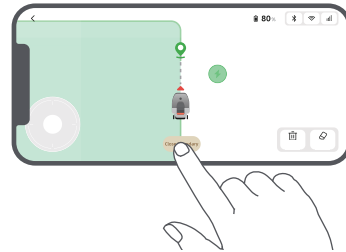
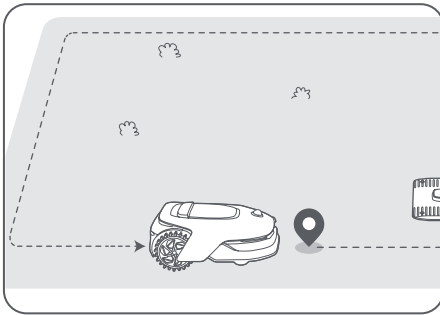
- Si hay una diferencia de altura de más de 4 cm entre el borde de su césped y la tierra adyacente, mantenga el A1 Pro al menos a 10 cm del borde de su césped.



- Asegúrese de que los ángulos de giro son superiores a 90° .

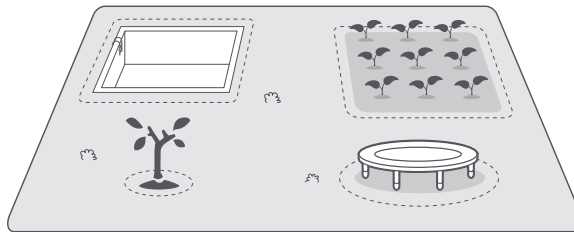


- 4 Cuando el A1 Pro vuelve a estar a 1 m del punto de inicio, puede pulsar «Cerrar límite» y el límite se completará de forma automática.



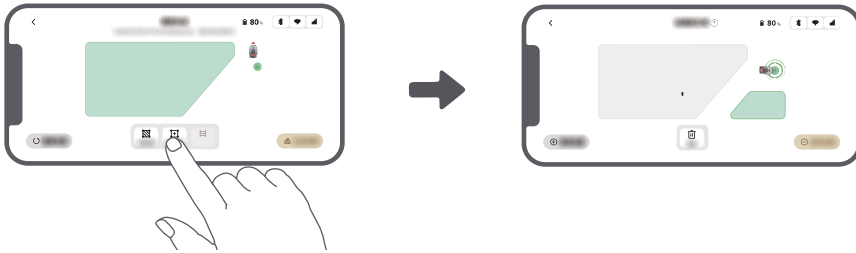
6.2 Establecer zona prohibida

Aunque el A1 Pro puede evitar obstáculos automáticamente, sigue siendo necesario establecer zonas prohibidas en zonas en las que hay riesgo de caída, como las piscinas o los fosos de arena. Si hay objetos que quiere proteger (como un macizo de flores, una cama elástica, un huerto o una raíz de árbol desnuda), establézcalos como zonas prohibidas. Puede controlar el A1 Pro de forma remota para crear zonas prohibidas en la app, o ir a «Edición del mapa» para dibujar o eliminar directamente las zonas prohibidas en el mapa.



6.3 Establecer múltiples zonas

Si su césped está separado por caminos o si tiene varios céspedes aislados, puede pulsar «Zona de trabajo» en la app para continuar creando la zona de trabajo con el control remoto. También puede añadir, eliminar o modificar las zonas en «Edición del mapa» cuando el mapa se haya terminado.

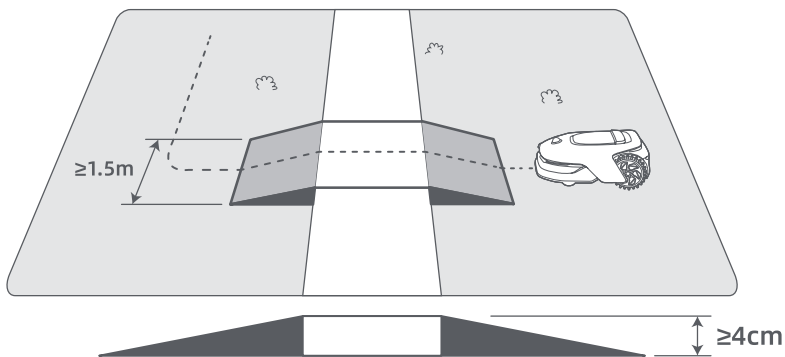


6.4 Establecer camino

Si tiene zonas aisladas, cree un camino para conectarlas. Si las zonas aisladas no tienen un camino, el A1 Pro no podrá acceder a ellas.

Nota: De forma predeterminada, A1 Pro solo se mueve a lo largo del camino sin cortar el césped.

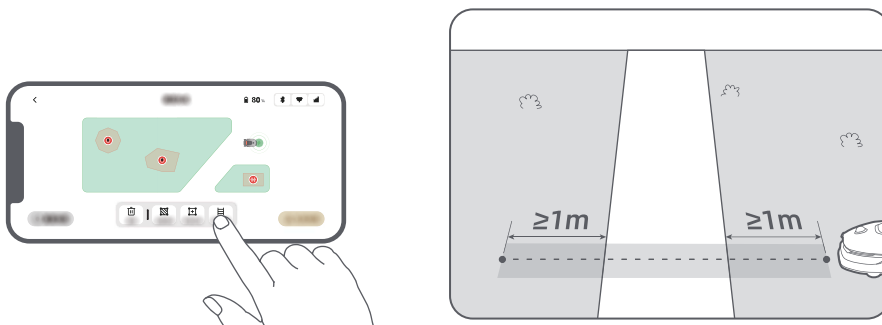
Nota: Si su césped está dividido por caminos más altos de 4 cm, coloque un objeto con una pendiente de la misma altura hasta el camino (como una rampa).



• Para conectar dos zonas de trabajo aisladas

Si hay un espacio de superposición entre las zonas nuevas y la original, se combinarán automáticamente. Si tiene zonas aisladas, cree un camino para conectarlas, de lo contrario, el A1 Pro no podrá acceder a ellas. Pulse «Camino» y controle el A1 Pro de forma remota para crear un camino.

Nota: asegúrese de que el inicio y el final del camino se encuentran en la zona de trabajo. Mantenga al menos 1 m de distancia entre el inicio/final del camino y el límite.

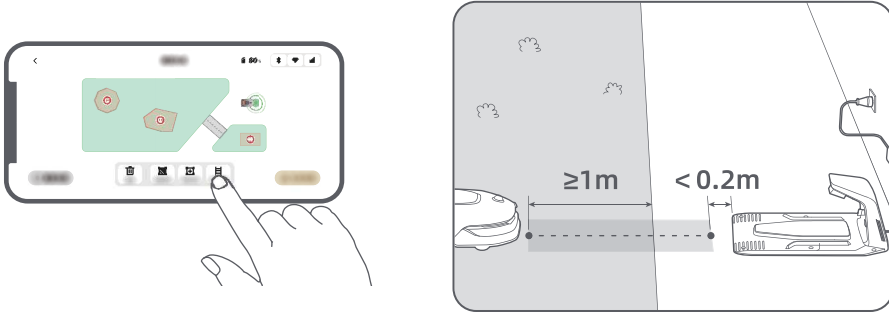


• Para conectar la zona de trabajo y la estación de carga

Si la estación de carga no se encuentra en la zona de trabajo, se debe crear un camino para conectarla a tal zona. Pulse «Camino» y controle el A1 Pro de forma remota para crear un camino que le permita regresar a la estación.

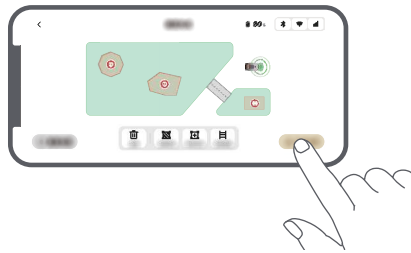
Nota: Cuando cree un camino, asegúrese de que un extremo del camino se superponga con la zona de trabajo por lo menos 1 metro (≥ 1 m), y que el otro extremo esté a menos de 0,2 metros ($< 0,2$ m) delante de la estación.

⚠ Advertencia: cuando cree rutas para conectar la zona de trabajo y la estación de carga, procure no acoplar el A1 Pro de manera remota en la estación de carga. De lo contrario, el LiDAR puede bloquearse y hacer que el mapeado falle.



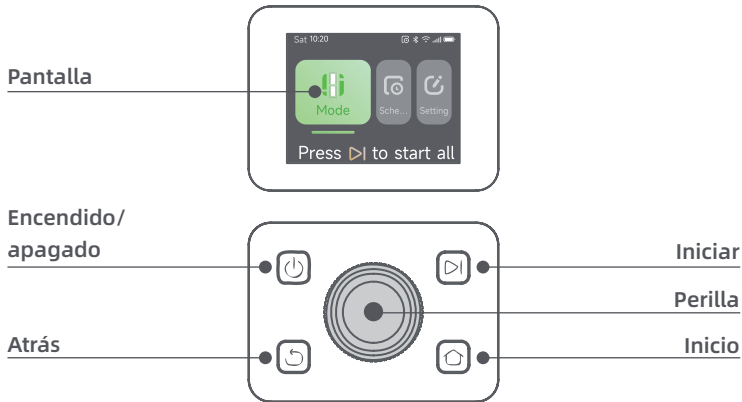
6.5 Finalizar el mapa

Pulse «Finalizar el mapa» cuando se completan las zonas de trabajo, los caminos y las zonas prohibidas. El A1 Pro debe estar dentro del mapa cuando se haya terminado, de lo contrario, se le pedirá que lo controle de forma remota para moverlo dentro del mapa.



7 Funcionamiento

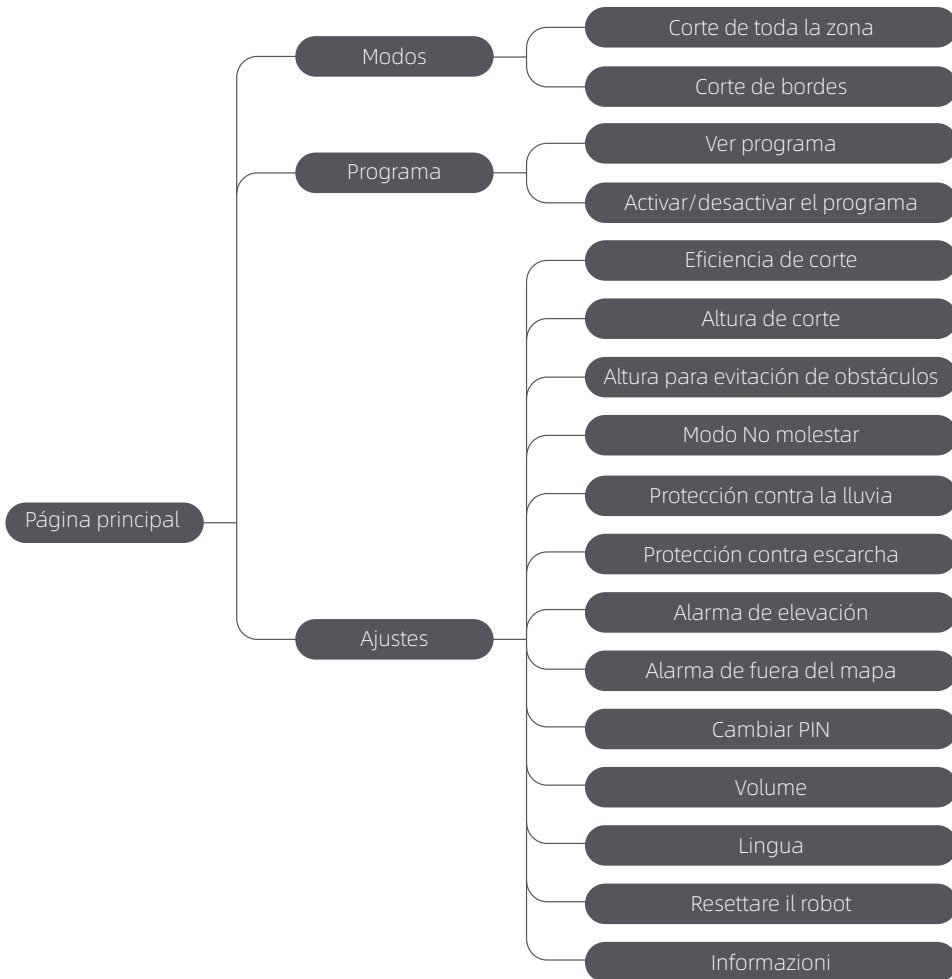
7.1 Familiarícese con el panel de control



Icono	Estado
	Nivel de batería (muestra el nivel de batería actual).
	Carga (El A1 Pro se acopla correctamente en la estación de carga).
	Bluetooth (El A1 Pro se conecta a la app por Bluetooth).
	Wi-Fi (El A1 Pro se conecta a la app por la red Wi-Fi).
	Servicio de enlace (El servicio de enlace está activado).
	Programa (Se ha programado una tarea para hoy y todavía no ha empezado).

Botón	Función
Encendido 	Asegúrese de que el A1 Pro está fuera de la estación de carga. Mantenga pulsado el botón de encendido durante 2 segundos para encenderlo o apagarlo.
Iniciar 	Pulse el botón Iniciar y cierre la cubierta en 5 segundos para iniciar el corte. La tarea se cancelará si la cubierta no se cierra en 5 segundos.
Inicio 	Pulse el botón Inicio y cierre la cubierta en 5 segundos para devolver el A1 Pro a la estación de carga. La tarea se cancelará si la cubierta no se cierra en 5 segundos.
Atrás 	Pulse el botón Atrás para volver a la página anterior.
Perilla	Pulse la perilla para confirmar la selección en los menús.
	Mantenga pulsada la perilla durante 3 segundos para activar el emparejamiento por Bluetooth en el A1 Pro.
	Gire la perilla en sentido horario/antihorario para navegar por el menú.
Iniciar + Atrás	Mantenga pulsados el botón Iniciar y el botón Atrás al mismo tiempo durante 3 segundos para restablecer el A1 Pro a los valores de fábrica. El código PIN no se borrará.
Inicio + Atrás	Mantenga pulsados el botón Inicio y el botón Atrás al mismo tiempo durante 3 segundos para acceder a la página Acerca de en los ajustes. La página Acerca de desaparecerá tras 5 segundos.
Perilla + Atrás	Mantenga pulsados la perilla y el botón Atrás al mismo tiempo durante 3 segundos para reiniciar el código PIN.
Parada	Pulse el botón de parada para abrir la cubierta del panel de control y detener el A1 Pro. Se debe introducir el código PIN en el panel de control para reanudar el funcionamiento del A1 Pro.

Resumen de la estructura del menú



* Podría actualizarse dependiendo de la versión del software.

7.2 Iniciar el corte por primera vez

Consejos antes de cortar el césped:

- Utilice cortacésped de empuje para cortar la hierba a una altura no superior a 10 cm.
- Elimine los obstáculos como escombros, montones de hojas, juguetes, cables y piedras. Asegúrese de que no hay niños ni mascotas en el césped cuando el A1 Pro lo esté cortando.
- Rellene los agujeros del césped.
- Ajuste sus preferencias de corte en la app de antemano (como la eficiencia, la altura y la dirección de corte).



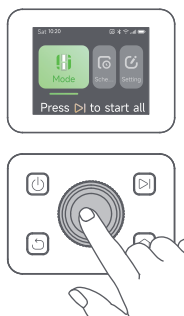
Pulse el botón Iniciar en el panel de control y cierre la cubierta superior en 5 segundos. El A1 Pro abandonará la estación de carga e iniciará el corte. También puede pulsar «Iniciar» en la app para iniciar el corte.

• Inicio mediante el panel de control

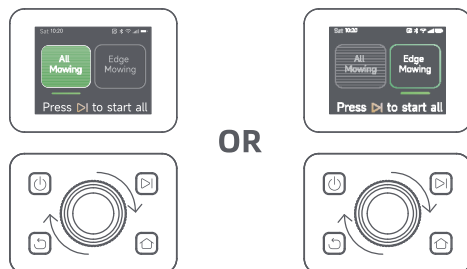
1. Pulse el botón de **parada** para abrir la cubierta e introducir el código PIN.



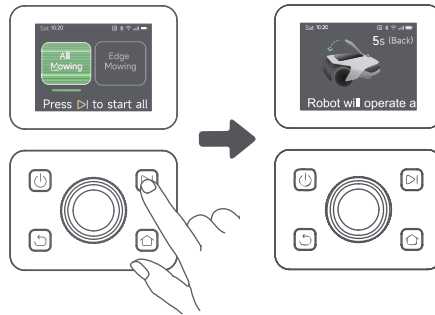
2. Seleccione «Modos» en la pantalla y pulse la perilla.



3. Gire la perilla para seleccionar el modo de corte.

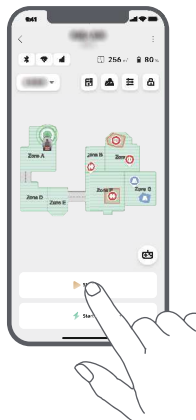


4. Pulse el botón **Iniciar** y cierre la cubierta superior en 5 segundos. El A1 Pro iniciará el corte.



• Inicio mediante la app

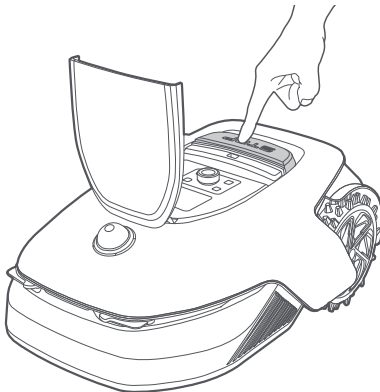
1. Abra la app.
2. Seleccione el modo de corte y pulse «Iniciar» para iniciar el corte.



7.3 Pausar

Para pausar la tarea de corte actual, puede pulsar el botón de parada del A1 Pro o «Pausar» en la app.

Nota: el A1 Pro se bloqueará y no se puede iniciar directamente por la app si se pulsa el botón de parada. Para reanudar el corte, primero introduzca el código PIN preestablecido en el panel de control.

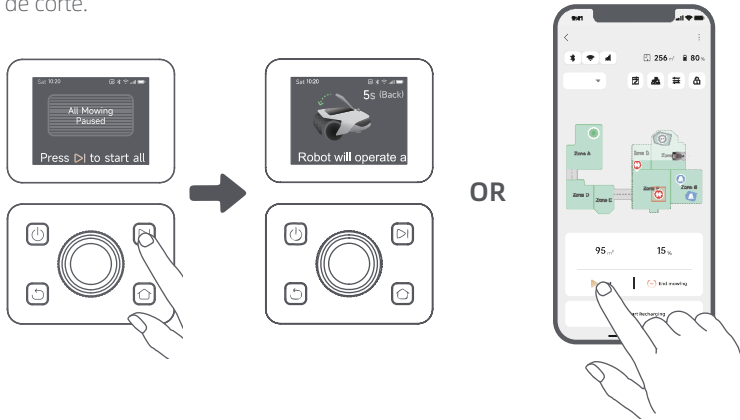


OR



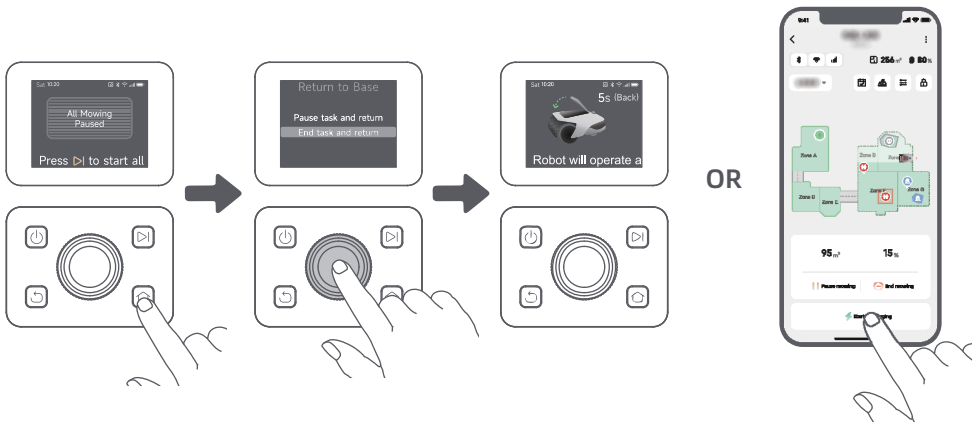
7.4 Reanudar

Para reanudar la tarea tras pausar el A1 Pro, pulse el botón Iniciar en el A1 Pro y cierre la cubierta en 5 segundos. El A1 Pro reanudará la tarea de corte anterior. También puede pulsar «Continuar» en la app para reanudar la tarea de corte.



7.5 Regresar a la estación de carga

Para detener la tarea de corte y devolver el A1 Pro a la estación de carga, confirme el código PIN en el panel de control y pulse el botón **Inicio**. Confirme para finalizar la tarea y cierre la cubierta en 5 segundos. El A1 Pro regresará automáticamente a la estación para cargarse. También puede pulsar «Regresar a la estación» en la app para devolver el A1 Pro a la estación de carga.



8 App Dreamehome

Dónde puede explorar más

La app Dreamehome es más que un control remoto. Hay muchas cosas que puede hacer con la aplicación: completar varia configuración de forma remota, experimentar diferentes modos de corte, editar el mapa con libertad y ajustar los programas de corte. Además, puede ver el mapa 3D de su césped directamente en la app.

8.1 Modos de corte

A1 Pro ofrece distintos modos de segado. Puede cambiar entre los modos en la app.



8.2 Programa

Tras completar el primer mapa, el A1 Pro crea automáticamente dos programas de corte semanales de acuerdo con el tamaño del césped, que son el «Programa de Prim y Ver» y el «Programa de Ot e Inv». Puedes pulsar «programa» en la aplicación para realizar la configuración detallada de la programación. Con la función de programa, puede dejar completamente el trabajo de corte diario al A1 Pro. Solo hay que mantener A1 Pro con regularidad.

Nota: si le preocupa que el A1 Pro pueda molestarle a usted o a sus vecinos al trabajar de forma autónoma durante ciertas horas, puede ir a Ajustes > No molestar y establecer un tiempo de No molestar en la app.



8.3 Bloqueo infantil

Si le preocupa que los niños puedan utilizar el A1 Pro, puede activar la función «Bloqueo infantil» en la app. Con esta función activada, el A1 Pro se bloqueará si no se realiza ninguna operación durante 5 minutos mientras la cubierta está abierta.



8.4 Protección contra la lluvia

Si le preocupa que las condiciones meteorológicas adversas puedan afectar al trabajo de corte, puede activar la función «Protección contra la lluvia» en «Ajustes» del panel de control o en la app. Cuando esta función está activada, A1 Pro pausa automáticamente el corte y regresa a la estación de carga cuando llueve. Puede establecer el tiempo de protección contra la lluvia en la app.



8.5 Protección contra escarcha

Cuando la temperatura está por debajo de los 6 °C , el trabajo de corte provocará daños permanentes al césped. La batería no podrá cargarse debido a la autoprotección. Puedes activar la función «Protección contra escarcha» en «Ajustes» del panel de control o en la aplicación. Esta función permite que el A1 Pro pause el corte automáticamente y regrese a la estación de carga cuando la temperatura ambiente sea ≤ 6 °C . Reanudará el trabajo automáticamente cuando la temperatura supere los 11 °C .



8.6 Alarma de elevación

Con esta función activada, el A1 Pro se bloqueará y se activará la alarma en cuanto lo levanten.



8.7 Alarma de fuera del mapa

Con esta función activada, el A1 Pro se bloqueará y se activará la alarma si está fuera del mapa. (Esta función requiere la instalación del módulo de enlace).



8.8 Ubicación en tiempo real

Con el módulo de enlace, puede ver la ubicación actual del A1 Pro en Google Maps.



Nota: El equipo de desarrollo de Dreame realizará actualizaciones OTA (Over-the-Air) y mantenimiento del firmware y la aplicación continuamente. Compruebe las notificaciones de actualizaciones o active la función de actualización automática para mantener el firmware y la app actualizados y disfrutar de más funciones.

9 Mantenimiento

Para mejorar el rendimiento y la vida útil del A1 Pro, límpielo con regularidad y reemplace las piezas gastadas según la siguiente frecuencia:

Pieza	Frecuencia de reemplazo
Cuchillas	Cada 6-8 semanas o antes
Cepillo de limpieza	Cada 12 meses o antes

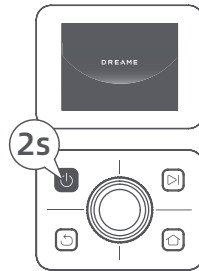
9.1 Limpieza

⚠ Advertencia: antes de la limpieza, apague el A1 Pro y desenchufe la estación de carga.

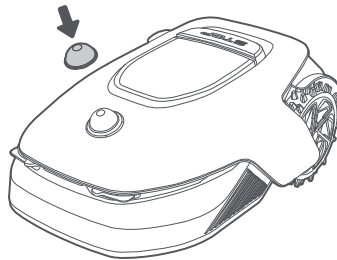
⚠ Advertencia: asegúrese de que el lidar tiene puesta la cubierta protectora antes de darle la vuelta al A1 Pro para evitar daños al lidar.

• El cuerpo del A1 Pro, Carcasa y disco de cuchillas:

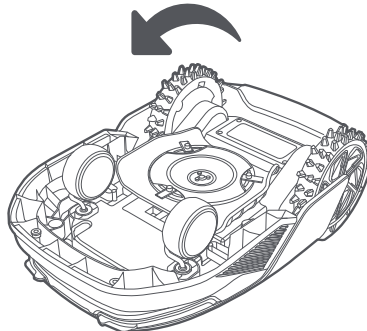
1. Apague el A1 Pro.



2. Póngale al lidar la cubierta protectora.



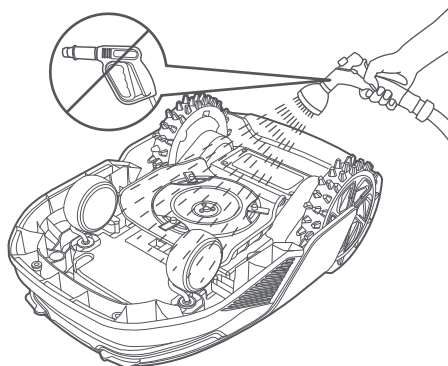
3. Voltee el A1 Pro.



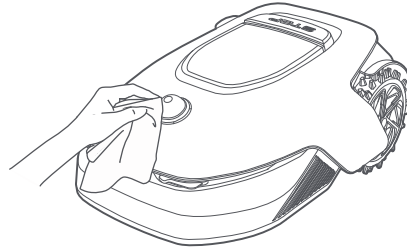
4. Limpie el cuerpo del A1 Pro, el disco de cuchillas y el chasis con una manguera.

⚠ Advertencia: no toque las cuchillas cuando limpie la carcasa. Lleve guantes cuando limpie.

⚠ Advertencia: no use un limpiador de alta presión para la limpieza. No use detergentes para la limpieza.

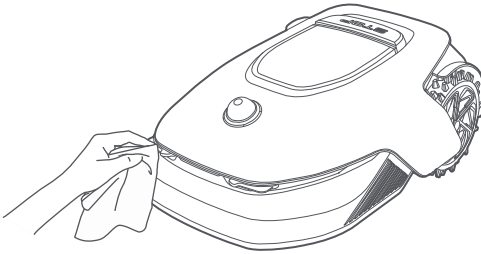


5. Utilice un paño que no deje pelusa para limpiar con cuidado el sensor LiDAR.



• Contactos de carga:

Utilice un paño limpio para limpiar los contactos de carga del A1 Pro y de la estación de carga. Mantenga los contactos de carga limpios después de limpiarlos.



9.2 Reemplazo de los componentes

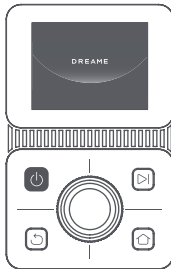
• Reemplazo de las cuchillas

Para mantener las cuchillas afiladas, reemplácelas con regularidad. Se recomienda reemplazar las cuchillas cada 6-8 semanas o antes. Utilice solo cuchillas originales de Dreame.

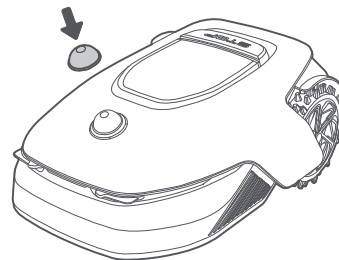
⚠ Advertencia: apague el A1 Pro y lleve guantes protectores antes de reemplazar las cuchillas.

Nota: reemplace las tres cuchillas al mismo tiempo para garantizar un sistema de corte equilibrado.

1. Apague el A1 Pro.

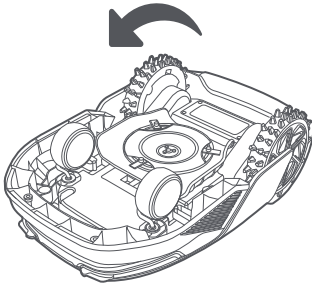


2. Asegúrese de que el lidar tiene la cubierta protectora puesta.

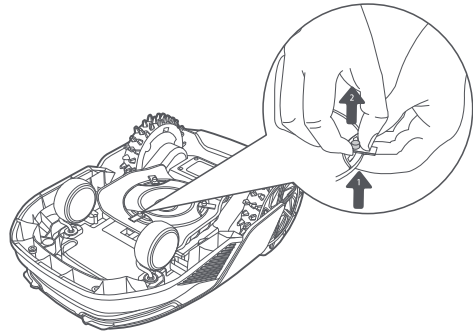


3. Coloque el A1 Pro en una superficie suave y póngalo boca abajo.

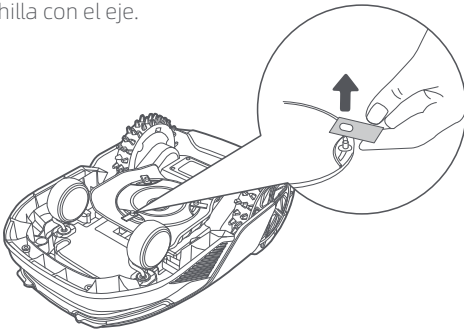
4. Retire el receptáculo pulsando el botón bajo el disco de cuchillas.



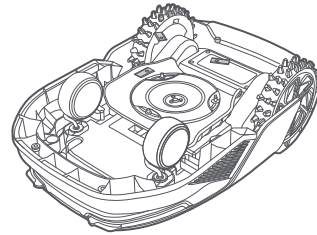
5. Retire la cuchilla alineando el orificio de la cuchilla con el eje.



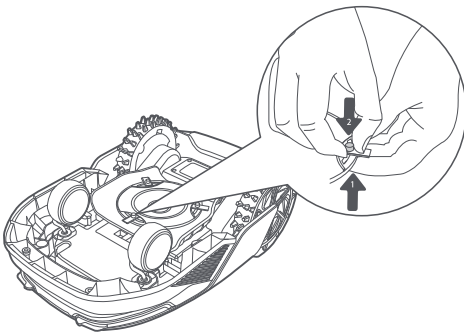
6. Retire las 3 cuchillas y receptáculos.



7. Pulse el botón bajo el disco de cuchillas y alinee el orificio del receptáculo con el eje para apretar el receptáculo y las cuchillas.



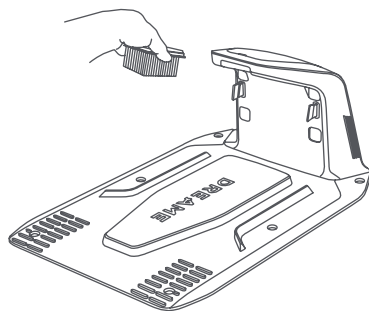
8. Asegúrese de que las cuchillas pueden girar con libertad.



• Reemplazo del cepillo de limpieza

Cuando el cepillo de limpieza del sensor lidar se desgasta, sus cerdas pueden deshilacharse o deteriorarse, lo que afecta a su rendimiento de limpieza. Reemplace el cepillo de limpieza con regularidad para mantener un buen resultado de limpieza. Se recomienda reemplazar el cepillo de limpieza cada 12 meses o antes.

Nota: antes de reemplazar el cepillo de limpieza, asegúrese de desenchufar la estación de carga.



10 Batería

Si va a guardarlo durante mucho tiempo, cargue el A1 Pro cada 6 meses para proteger la batería. La garantía limitada no cubre los daños causados a la batería por sobredescarga. No cargue la batería a una temperatura ambiente superior a 45 °C o inferior a 6° C. A largo plazo, la temperatura de almacenamiento de la batería debe encontrarse entre -10 y 35° C. Para minimizar el daño, la temperatura de almacenamiento de la batería recomendada es entre 0 y 25° C.

Nota: la vida útil de la batería del A1 Pro depende de la frecuencia de uso y las horas de funcionamiento. Si se daña la batería o no se puede cargar, no la deseche arbitrariamente. Respete la normativa local sobre reciclaje.

Modo de carga de bajo consumo:

Con el modo de carga de bajo consumo activado, se desactivarán las funciones que no estén relacionadas con la carga. (La pantalla y la red se apagarán).

- Para activar el modo de carga de bajo consumo, mantenga pulsado el botón **Iniciar** y el botón **Inicio** a la vez, y pulse el botón **Atrás** 5 veces rápidamente al mismo tiempo. Escuchará un mensaje de voz: El modo de carga de bajo consumo está activado.
- Para desactivar el modo de carga de bajo consumo, reinicie el A1 Pro o pulse el botón de encendido 5 veces.

11 Almacenamiento en invierno

• A1 Pro

1. Cargue la batería por completo y apague el A1 Pro.

2. Limpie bien el A1 Pro antes de guardarlo en invierno.
3. Coloque la cubierta protectora del lidar.
4. Guarde el A1 Pro en un lugar seco, a una temperatura superior a 0 °C.

• Estación de carga

Desenchufe la estación de carga y guárdela en un lugar seco y frío, alejado de la luz solar directa.

Nota: Si no ha usado el A1 Pro durante mucho tiempo, vuelva a crear el mapa de su jardín, ya que los cambios significativos en el entorno del jardín pueden provocar errores de posicionamiento.

12 Transporte

Para el transporte de larga distancia, se recomienda utilizar el embalaje original para proteger el A1 Pro. Coloque la cubierta protectora del lidar.

⚠ Advertencia: Apague el A1 Pro antes de transportarlo.

⚠ Advertencia: Levante el producto por la parte trasera, con el disco de cuchillas alejado de su cuerpo.

13 Solución de problemas

Problema	Causa	Solución
A1 Pro no conectado a la aplicación.	<ol style="list-style-type: none"> 1. El A1 Pro no está en la cobertura de una señal Wi-Fi ni al alcance del Bluetooth. 2. El A1 Pro está apagado o está reiniciándose. 	<ol style="list-style-type: none"> 1. Compruebe si el A1 Pro ha acabado de encenderse. 2. Compruebe si el router funciona correctamente. 3. Acérquese al A1 Pro para conectar por Bluetooth.
Se ha levantado el A1 Pro.	La rueda no está en el suelo.	<ol style="list-style-type: none"> 1. Vuelva a poner el A1 Pro en suelo llano. 2. Introduzca el código PIN en el A1 Pro y confirme. 3. El A1 Pro no puede cruzar objetos de más de 4 cm. Mantenga el suelo nivelado donde está trabajando.
A1 Pro inclinado.	El A1 Pro se ha inclinado más de 37°.	<ol style="list-style-type: none"> 1. Vuelva a poner el A1 Pro en suelo llano. 2. Introduzca el código PIN en el A1 Pro para confirmar. 3. El A1 Pro no puede escalar pendientes superiores a 45 % (24°).
A1 Pro atrapado.	El A1 Pro está atrapado y no puede salir.	<ol style="list-style-type: none"> 1. Quitar los obstáculos circundantes y volver a intentar. 2. Mueva el A1 Pro de forma manual a un lugar plano y abierto dentro del mapa y vuelva a intentar iniciar la tarea. Si sigue encontrando este problema, vuelva a intentarlo cuando el A1 Pro esté en la estación de carga. 3. Compruebe si hay agujeros en el suelo. Rellene los agujeros antes de cortar para evitar que el A1 Pro quede atrapado. 4. Compruebe si la hierba del entorno es más alta de 10 cm. Puede ajustar la altura de la evasión de obstáculos o usar un cortacésped manual para cortar el césped con antelación y evitar que el A1 Pro quede atrapado. 5. Si el A1 Pro queda atrapado en esta ubicación a menudo, puede establecerla como zona prohibida.
Error de la rueda trasera izquierda/derecha	La rueda no puede girar o su motor tiene un problema.	<ol style="list-style-type: none"> 1. Limpiar las ruedas traseras y volver a intentar. 2. Si este error sigue apareciendo, pruebe a reiniciar el robot. 3. Si el problema persiste, póngase en contacto con el servicio posventa.
El disco de cuchillas no puede girar.	El disco de cuchillas no puede girar con normalidad o el motor de corte tiene un problema.	<ol style="list-style-type: none"> 1. Limpie el disco de corte e intente de nuevo. 2. Compruebe si la hierba del entorno es más alta de 10 cm. Puede usar un cortacésped manual para cortar el césped con antelación y evitar que el disco de cuchillas quede bloqueado por la hierba alta. 3. Compruebe si hay agua debajo del disco de corte. Si hubiera agua, mover el robot a un lugar seco e intentar de nuevo. 4. Si este error sigue apareciendo, pruebe a reiniciar el robot. 5. Si el problema persiste, póngase en contacto con el servicio posventa.

Problema	Causa	Solución
Error del paragolpes.	El sensor del paragolpes delantero se activa constantemente.	<ol style="list-style-type: none"> 1. Compruebe si el A1 Pro está atrapado en algún lado. 2. Golpee suavemente el paragolpes y asegúrese de que rebota. 3. Si este error sigue apareciendo, pruebe a reiniciar el robot. 4. Si el problema persiste, póngase en contacto con el servicio posventa.
Error de carga.	El A1 Pro se acopla en la estación de carga, pero hay un problema con la corriente o la tensión de carga.	<ol style="list-style-type: none"> 1. Compruebe si la estación de carga está conectada correctamente a la corriente. 2. Compruebe si los contactos de carga del A1 Pro y de la estación de carga están limpios. 3. Cuando termine de comprobarlo, intente volver a acoplar el A1 Pro a la estación de carga. 4. Si el problema persiste, póngase en contacto con el servicio posventa.
La temperatura de la batería es demasiado alta.	La temperatura de la batería es $\geq 60^{\circ}\text{C}$.	<ol style="list-style-type: none"> 1. Utilice el A1 Pro en un lugar donde la temperatura ambiente sea inferior a 40°C. Puede esperar a que la temperatura de la batería baje automáticamente. 2. Puede apagar el A1 Pro y volver a encenderlo después de un rato. 3. Si el problema persiste, póngase en contacto con el servicio posventa.
El lidar está bloqueado	El lidar está bloqueado (por ejemplo, no se ha retirado la cubierta protectora del lidar).	<ol style="list-style-type: none"> 1. Quitar la cubierta protectora del lidar y volver a intentar. 2. En caso de que el lidar en la parte superior del robot esté muy sucio, hay que limpiar con un paño que no deje pelusa e intentarlo de nuevo.
Fallo del LiDAR.	El LiDAR está muy sucio o el sensor tiene un fallo.	<ol style="list-style-type: none"> 1. Compruebe que el lidar no esté sucio. Limpiar si procede e intentar de nuevo. 2. Si este error sigue apareciendo, pruebe a reiniciar el robot. 3. Si el problema persiste, contacte con nuestro servicio de posventa.
El A1 Pro está perdido.	Se ha perdido el posicionamiento.	<ol style="list-style-type: none"> 1. Compruebe si el lidar de la parte superior del A1 Pro está sucio. La suciedad afecta al posicionamiento. 2. Mueva el A1 Pro de forma manual a un lugar abierto dentro del mapa y vuelva a intentar iniciar la tarea. 3. Si no se recupera el posicionamiento, controle el A1 Pro de forma remota para regresar a la estación de carga usando la app y luego inicie la tarea de corte.
Error del sensor.	Error del sensor.	<ol style="list-style-type: none"> 1. Reinicie el A1 Pro y vuelva a intentarlo. 2. Si el problema persiste, póngase en contacto con el servicio posventa.
El A1 Pro está en la zona prohibida.	El A1 Pro está en la zona prohibida.	<ol style="list-style-type: none"> 1. Mueva el robot manualmente fuera de la zona restringida y volver a intentar. 2. Controlar a distancia el robot con la aplicación para moverlo fuera de la zona restringida y volver a intentarlo después.
El A1 Pro está fuera del mapa.	El A1 Pro está fuera del mapa.	<ol style="list-style-type: none"> 1. Mueva el robot manualmente dentro de los límites del mapa y vuelva a intentarlo. 2. Trae de vuelta el robot mediante control remoto al interior del mapa con la app e inténtalo de nuevo.

Problema	Causa	Solución
La parada de emergencia está activada.	Se ha pulsado el botón de parada del A1 Pro.	Ingrese el código PIN del A1 Pro para desactivar la parada de emergencia.
Batería baja. El A1 Pro se apagará pronto.	El nivel de batería es $\leq 10\%$.	Acople el A1 Pro a la estación para cargarlo.
El A1 Pro está lejos del mapa. Riesgo de robo.	El A1 Pro está lejos del mapa.	<ol style="list-style-type: none"> 1. Introduzca el código PIN para verificar. 2. Puede desactivar la alarma de fuera del mapa en los ajustes de la aplicación.
Fallo al volver a la estación de carga.	El A1 Pro no puede encontrar la estación de carga al intentar regresar.	<ol style="list-style-type: none"> 1. Compruebe si hay obstáculos que bloqueen el A1 Pro. Retire los obstáculos y vuelva a intentarlo. 2. Controle el A1 Pro de forma remota para regresar a la estación de carga usando la app.
Fallo al acoplar en la estación de carga.	El A1 Pro encuentra la estación de carga pero no logra acoplarse.	<ol style="list-style-type: none"> 1. Compruebe si las películas reflectantes de la estación de carga están sucias o bloqueadas. 2. Compruebe si hay obstáculos frente a la estación de carga. 3. Compruebe si se ha movido la estación de carga. 4. Compruebe si la placa base está cubierta de barro espeso. 5. Compruebe si la estación tiene energía. 6. Ayude al robot a acoplarse en la estación utilizando el mando a distancia o manualmente.
Fallo en el posicionamiento.	Fallo en el posicionamiento cuando el A1 Pro intenta iniciar una tarea de corte.	<ol style="list-style-type: none"> 1. El lidar podría estar obstruido. Mueva el robot de forma manual a un lugar plano y abierto dentro del mapa y vuelva a intentar iniciar la tarea. 2. Si continúa encontrando este error, inténtelo de nuevo después de que el robot esté en la estación.
La temperatura de la batería es alta.	La temperatura de la batería es $\geq 45^{\circ}\text{C}$.	<ol style="list-style-type: none"> 1. La carga puede fallar si la temperatura de la batería es superior a 45°C. 2. Utilice el A1 Pro en un lugar donde la temperatura ambiente sea inferior a 40°C.
La temperatura de la batería es baja.	La temperatura de la batería es $\leq 6^{\circ}\text{C}$.	<ol style="list-style-type: none"> 1. La carga puede fallar si la temperatura de la batería es inferior a 6°C. 2. Utilice el A1 Pro en un lugar donde la temperatura ambiente sea superior a 6°C.
El disco de cuchilla no logra moverse hacia arriba o hacia abajo.	El disco de cuchilla no logra moverse hacia arriba o hacia abajo.	<ol style="list-style-type: none"> 1. Limpie el disco de cuchilla e inténtelo de nuevo. 2. Si este error sigue apareciendo, intente reiniciar el robot. 3. Si el problema persiste, póngase en contacto con el servicio posventa.
Espacio insuficiente para girar frente a la estación.	Espacio insuficiente para girar frente a la estación.	<ol style="list-style-type: none"> 1. Si la estación está colocada en el borde del mapa o dentro de él, asegúrese de que haya al menos 1 m de espacio libre entre la zona frontal de la placa base de la estación y el límite del mapa; de lo contrario, el robot podría no ser capaz de girar. 2. Recoloque la estación, o cambie el mapa en Edición del mapa.

14 Especificaciones

Información básica	Nombre del producto	Robot cortacésped de Dreame
	Marca	Dreame
	Dimensiones	643 × 436.5 × 261 mm (25.3 × 17.2 × 10.2 in)
	Peso (batería incluida)	12.6 kg (27.7 lbs)
Corte	Capacidad de trabajo recomendada	2000 m ² (0.5 acre)
	Eficiencia de corte	Estándar: 120 m ² (0,03 acre)/h Eficiente: 200 m ² (0,05 acre)/h
	Altura de corte	30~70 mm (1.2~2.8 in)
	Anchura del corte	22 cm (8.7 in)
	Tiempo de carga ^[1]	65 min
Emisiones de ruido	Nivel de sonido LWA	64 dB(A)
	Incertidumbres sobre la potencia acústica KWA	3 dB(A)
	Nivel de presión sonora LpA	56 dB(A)
	Incertidumbres sobre la presión acústica KpA	3 dB(A)
Condiciones de trabajo	Temperatura de funcionamiento	0~50° C (32~122° F) Recomendada: 10~35° C (50~95° F)
	Temperatura de almacenamiento a largo plazo	-10~35° C (14~95° F) Recomendada: 0~25° C (32~77° F)
	Clasificación IP	Cortacésped: IPX6 Estación de carga: IPX4 Fuente de alimentación: IP67
	Pendiente máxima de la zona de corte	45% (24°)
Conectividad	Rango de frecuencias Bluetooth	2400.0~2483.5 MHz
	Wi-Fi	Wi-Fi 2.4 GHz (2400-2483.5M)
	Potencia RF máxima	802.11b:16±2dBm(@11Mbps) 802.11g:14±2dBm(@54Mbps) 802.11n:13±2dBm(@HT20,HT40) Bluetooth: 7.49dBm
	Servicio de enlace (opcional) ^[2]	LTE-FDD: B1/3/7/8/20/28A LTE-TDD: B38/40/41
	GNSS (opcional) ^[3]	GPS/GLONASS/BDS/Galileo/QZSS

Motor propulsor	Velocidad de conducción por control remoto	0.45 m/s
	Velocidad de conducción durante el corte	Estándar: 0,35 m/s Eficiente: 0,6 m/s
Motor de corte	Velocidad	2200 /min
Batería (cortacésped)	Tipo de batería	Batería de ión-litio
	Capacidad nominal	5000 mAh
	Tensión nominal	18 V
Fuente de alimentación	Tensión de entrada	100~240 V
	Tensión de salida	20 V
	Corriente de salida	3 A
Estación de carga	Tensión de entrada	20 V
	Tensión de salida	20 V
	Corriente de entrada	3 A
	Corriente de salida	3 A

[1] El tiempo de carga es aplicable cuando el A1 Pro regresa con batería baja automáticamente a la estación de carga.

[2] Requiere instalar un módulo de enlace.

[3] Requiere instalar un módulo de enlace.

Nota: las especificaciones están sujetas a cambios, ya que mejoramos continuamente nuestro producto. Para obtener la información más reciente, visite nuestra página web en global.dreametech.com.

Vertaling van de oorspronkelijke gebruiksaanwijzing

Inhoudsopgave

1 Veiligheidsvoorschriften	P185
2 Inhoud van de doos	P189
3 Productoverzicht	P190
4 Installatie	P191
5 Voorbereidingen voor gebruik	P193
6 Uw tuin in kaart brengen	P196
7 Bediening	P202
8 Dreamehome-app	P207
9 Onderhoud	P211
10 Accu	P213
11 Winteropslag	P213
12 Transport	P213
13 Probleemoplossing	P214
14 Specificaties	P217

1 Veiligheidsvoorschriften

1.1 Algemene veiligheidsvoorschriften

- Lees de handleiding zorgvuldig door en zorg ervoor dat u alles begrijpt voordat u het product gaat gebruiken.
- Gebruik bij dit product alleen de apparatuur die door Dreame wordt aanbevolen. Elk ander gebruik wordt afgeraden.
- Laat het apparaat nooit bedienen door kinderen, personen met verminderde lichamelijke, zintuiglijke of geestelijke bekwaamheid of een gebrek aan ervaring en kennis, of personen die niet bekend zijn met deze instructies; plaatselijke voorschriften kunnen nadere eisen stellen aan de leeftijd van de gebruiker.
- Voorkom dat kinderen in de buurt zijn van of spelen met het apparaat als het operationeel is.
- Gebruik het product niet in gebieden waar personen zijn die niet weten dat het daar aan het werk is.
- Ren niet als u het product handmatig bedient met de Dreamehome-app. Zorg ervoor dat u altijd wandelt, let op bij hellingen en verlies uw evenwicht niet.
- Gebruik het product niet als er zich personen, vooral kinderen of dieren, in het maaigebied bevinden.
- Als u het product in openbare gebieden gebruikt, plaats dan waarschuwingsborden rond het maaigebied met de volgende tekst: "Waarschuwing! Automatische grasmaaier! Blijf uit de buurt van de maaier! Houd toezicht op kinderen!"
- Draag stevig schoeisel en een lange broek als u het product bedient.
- Stel geen maaigebieden of transportpaden in over openbare paden om schade aan het product en ongelukken met voertuigen en personen te voorkomen.
- Raak geen bewegende, gevaarlijke onderdelen aan (zoals de maaikop) zolang deze niet volledig tot stilstand zijn gekomen.
- Schakel medische hulp in bij letsel of ongevallen.
- Schakel het product UIT voordat u blokkades verwijdt, onderhoud uitvoert of het product controleert. Als het product abnormaal trilt, controleer het dan op schade voordat u het opnieuw inschakelt. Gebruik het product niet als er onderdelen defect zijn.
- Sluit geen beschadigde kabel aan en raak deze ook niet aan zolang de stekker nog in het stopcontact zit. Als de kabel tijdens gebruik beschadigd raakt, haal dan de stekker uit het stopcontact. Een versleten of beschadigde kabel verhoogt het risico op elektrische schokken en moet door een onderhoudsmonteur worden vervangen.
- Installeer de hoofdkabel niet in gebieden waar de robot gaat maaien. Volg de instructies voor de installatie van de kabel.
- Gebruik alleen het meegeleverde oplaadstation om het product op te laden. Onjuist gebruik kan leiden tot elektrische schokken, oververhitting of het lekken van bijtende vloeistoffen uit de accu. Indien er elektrolyten weglekken, spoel dan met water of een neutraliserend middel en schakel medische hulp in als de bijtende vloeistof in uw ogen komt.
- Als u de hoofdkabel op het stopcontact aansluit, gebruik dan een aardlekschakelaar (RCD) met een maximale uitschakelstroom van 30 mA.
- Gebruik alleen de originele, door Dreame aanbevolen accu. De veiligheid van het product kan niet worden gegarandeerd met een accu van een ander merk. Gebruik uitsluitend een oplaadbare accu.
- Zorg ervoor dat er geen verlengsnoeren in de buurt van bewegende, gevaarlijke onderdelen liggen om te voorkomen dat de snoeren beschadigd raken en in contact komen met onderdelen die onder spanning staan.
- De illustraties in dit document zijn alleen ter referentie. Zie de daadwerkelijke producten.
- Duw het product niet te hard of te snel, want dit kan het product beschadigen.
- Om te blijven voldoen aan de vereisten voor RF-blootstelling, moet een afstand van 35 cm tussen het apparaat en het lichaam worden aangehouden.
- Gebruik voor het opladen van de accu alleen de afneembare voedingseenheid die bij dit apparaat wordt geleverd.

1.2 Veiligheidsvoorschriften voor installatie

- Installeer het oplaadstation niet in gebieden waar mensen erover kunnen struikelen.

- Installeer het oplaadstation niet in gebieden waar sprake kan zijn van stilstaand water.
- Installeer het oplaadstation, inclusief accessoires, niet binnen 60 cm/24 inch van brandbare stoffen. Storingen of oververhitting van het oplaadstation en de voeding kunnen brand veroorzaken.
- Voor gebruikers in de VS/Canada: Als u de voeding buiten installeert, bestaat het risico op elektrische schokken. Installeer de voeding alleen in een afgedekt GFCI-stopcontact van klasse A met een weerbestendige behuizing en zorg ervoor dat het dopje van de bevestigingsstekker is geplaatst of verwijderd.

1.3 Veiligheidsvoorschriften voor bediening

- Kom met uw handen en voeten niet in de buurt van de draaiende bladen. Plaats uw handen of voeten niet in de buurt van of onder het product als het is ingeschakeld.
- Til het product niet op en beweeg het niet als het is ingeschakeld.
- Gebruik de parkeermodus of schakel het product **UIT** als er zich personen, vooral kinderen of dieren, in het maaigebied bevinden.
- Zorg ervoor dat er geen voorwerpen zoals stenen, takken, gereedschap of speelgoed op het gazon liggen. De bladen kunnen namelijk beschadigen als ze in contact komen met een voorwerp.
- Plaats geen voorwerpen op het product of het oplaadstation.
- Gebruik het product niet als de **STOP**-knop niet werkt.
- Voorkom botsingen tussen het product en mensen of dieren. Als een persoon of dier in de buurt van het product komt, schakel het product dan onmiddellijk uit.
- Zet het product altijd **UIT** als het niet operationeel is.
- Gebruik het product niet op hetzelfde moment als een verzonken sproeier. Maak gebruik van de functie Schema om ervoor te zorgen dat het product en de verzonken sproeier niet op hetzelfde moment aanstaan.
- Plaats geen verbindingkanaal op plekken waar verzonken sproeiers zijn geïnstalleerd.
- Gebruik het product niet als er in het maaigebied stilstaand water aanwezig is, bijvoorbeeld als het hard regent of als er plassen water liggen.

1.4 Veiligheidsvoorschriften voor onderhoud

- Schakel het product **UIT** als u onderhoud uitvoert.
- Haal de stekker uit het oplaadstation of verwijder de uitschakelvoorziening voordat u het oplaadstation reinigt of er onderhoud aan uitvoert.
- Gebruik geen hogedrukspuit of oplosmiddelen om het product te reinigen.
- Plaats het product na reiniging op de grond in zijn normale positie, niet ondersteboven.
- Draai het product niet om als u het onderstel wilt reinigen. Als u het product toch omdraait om het te reinigen, zorg er dan voor dat u het daarna weer in de juiste positie terugplaatst. Deze voorzorgsmaatregel is nodig om te voorkomen dat er water in de motor komt, wat de normale werking kan beïnvloeden.

1.5 Accuveiligheid






Een lithiumionaccu kan exploderen of brand veroorzaken bij demontage, kortsluiting, blootstelling aan water, vuur of hoge temperaturen. Ga er voorzichtig mee om, demonteer of open de accu niet en vermijd elke vorm van elektrisch/mechanisch misbruik. Bewaar de accu op een plek waar deze niet wordt blootgesteld aan direct zonlicht.

1. Gebruik alleen de acculader en voeding die door de fabrikant zijn meegeleverd. Als u een ongeschikte lader en voeding gebruikt, kan dit leiden tot elektrische schokken en/of oververhitting.
2. **REPAREER OF PAS DE ACCU NOOIT ZELF AAN!** Reparatiepogingen kunnen leiden tot ernstig persoonlijk letsel als gevolg van explosie of elektrische schokken. Als er een lekkage ontstaat, zijn de vrijgekomen elektrolyten bijtend en giftig.
3. Dit apparaat bevat een accu die alleen door gekwalificeerde personen mag worden vervangen.

1.6 Overige risico's

Draag beschermende handschoenen bij het vervangen van de bladen om letsel te voorkomen.

1.7 Symbolen en stickers

	<p>WAARSCHUWING - Lees de gebruiksaanwijzing voordat u het apparaat gaat gebruiken.</p>
	<p>WAARSCHUWING - Blijf op een veilige afstand van het apparaat als u het bedient.</p>
	<p>WAARSCHUWING - Schakel de uitschakelvoorziening in voordat u het apparaat gebruikt of optilt.</p>
	<p>WAARSCHUWING - Ga niet op het apparaat rijden.</p>
	<p>WAARSCHUWING - Het is niet toegestaan om dit product weg te gooien bij uw gewone huishoudelijke afval. Zorg ervoor dat het product wordt gerecycled in overeenstemming met de lokale wettelijke vereisten.</p>

	Dit product voldoet aan de toepasselijke EG-richtlijnen.
	Klasse III
	Lees de instructies voordat u het product oplaadt.
	Gelijkstroom
	Klasse II

BESTEMD GEBRUIK

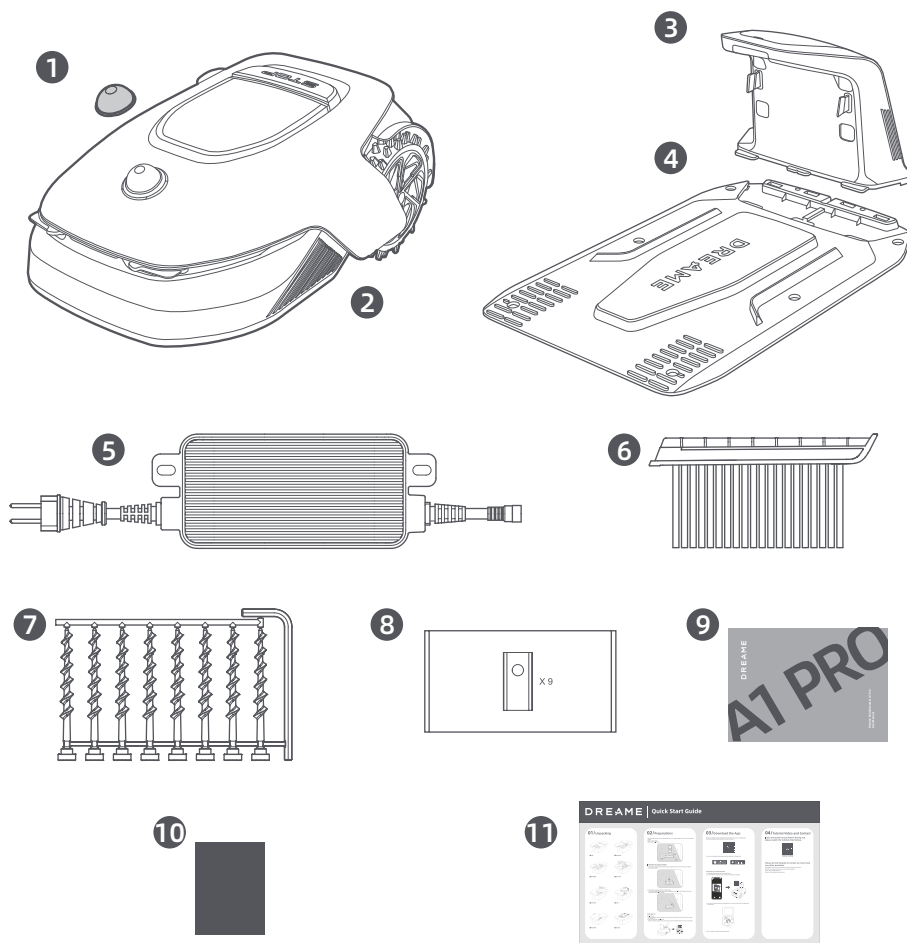
Het tuinproduct is bedoeld voor het maaien van gazons bij u thuis. Het is ontworpen om vaak te maaien, waardoor een gezonder en mooier gazon wordt onderhouden dan ooit tevoren. Afhankelijk van de grootte van uw gazon kan uw maaier worden geprogrammeerd om op elk moment of met elke frequentie te werken. Het is niet geschikt voor graven, vegen of sneeuwruimen.



Hierbij verklaart Dreame Trading (Tianjin) Co., Ltd. dat de radioapparatuur model Dreame Robotmaaier MLLA7110 voldoet aan richtlijn 2014/53/EU. De volledige tekst van de EU-conformiteitsverklaring is beschikbaar op het volgende internetadres: <https://global.dreametech.com>

Ga voor een gedetailleerde elektronische handleiding naar <https://dreametech.zendesk.com/hc/en-us/categories/7968864195993-User-Manual>

2 Inhoud van de doos



1 Beschermkap van de lidar

3 Opladtoeren
(met 10m verlengsnoer)

5 Voeding

7 8 schroeven, inbussleutel

9 Handleiding

11 Snelstartgids

2 A1 Pro

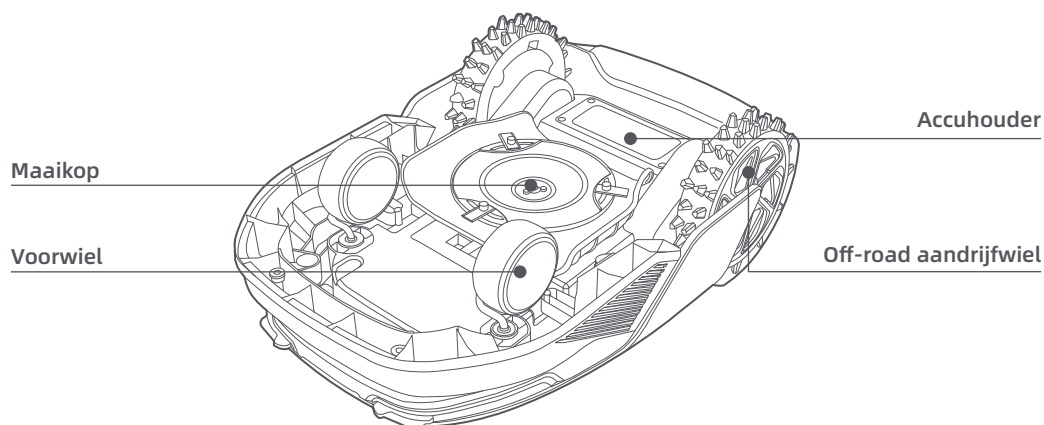
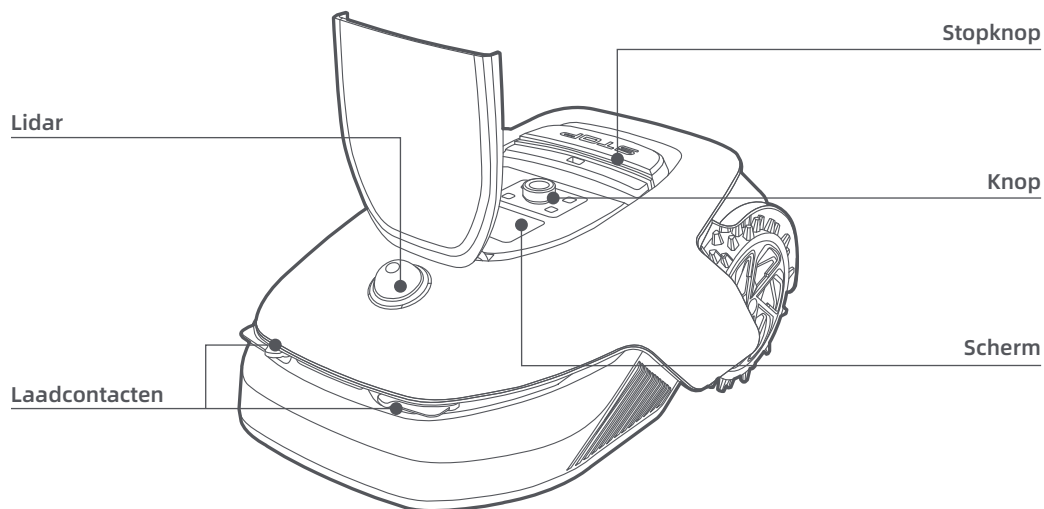
4 Grondplaat

6 Reinigingsborstel

8 Reserveblad × 9

10 Pluisvrije doek

3 Productoverzicht



Sensor

Naam	Beschrijving
Lidar	Verzamelt informatie over de omgeving en zorgt ervoor dat A1 Pro eenvoudiger kan positioneren en obstakels kan vermijden. Daarnaast detecteert de lidar ook water en vuil. Detectiebereik: 70 meter met een groothoek van 360° horizontaal en 59° verticaal.

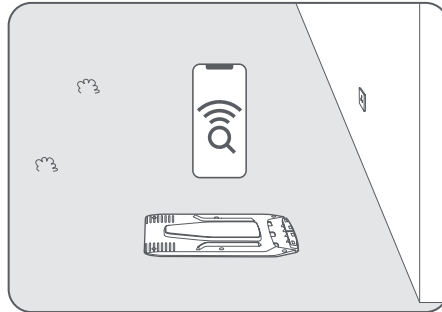
4 Installatie

4.1 Een geschikte locatie kiezen

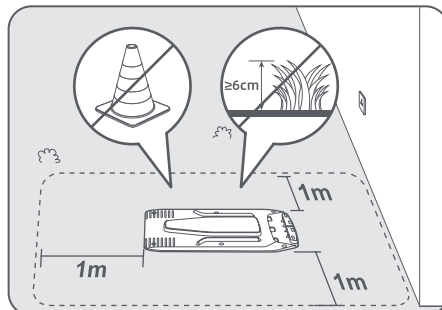
- Plaats het oplaadstation op een vlakke ondergrond vlakbij de rand van het gazon en een stopcontact. We raden aan om het oplaadstation te plaatsen op een plek waar het wifisignaal sterk is.

Opmerking: Controleer op uw mobiele apparaat of het wifisignaal van de locatie sterk genoeg is. Als het wifisignaal sterk is, is de verbinding tussen A1 Pro en de app stabiel.

Opmerking: Zorg ervoor dat de grond zacht genoeg is om de schroeven erin te draaien.

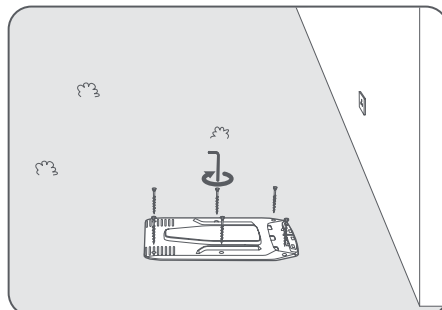


- Houd links, rechts en voor het oplaadstation minimaal **1 meter** vrij, dus zonder obstakels. Zorg ervoor dat het gras rondom de gekozen locatie korter is dan **6 cm**. Als het gras hoger is, maai het gazon dan eerst met een handmaaier. Als het gras te hoog is, wordt het voor A1 Pro lastig om terug te keren naar het oplaadstation.

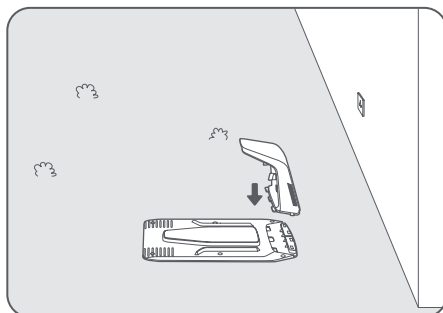


4.2 Het oplaadstation installeren

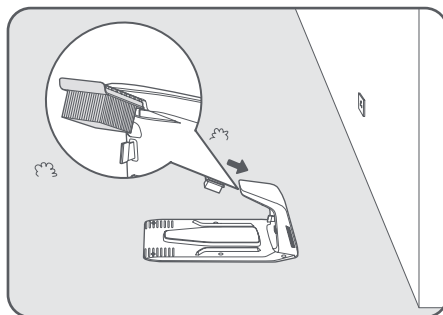
- Bevestig de grondplaat aan de grond met de meegeleverde schroeven en gebruik daarbij de inbussleutel.



- 2 Schuif de oplaadtoren in de grondplaat totdat u een klik hoort.

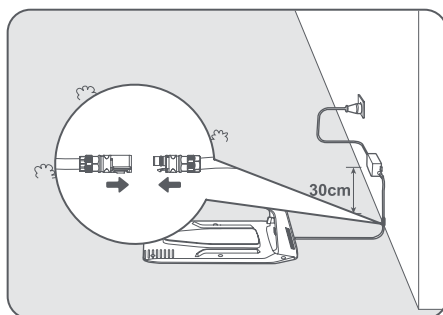


- 3 Plaats de reinigingsborstel in de oplaadtoren door de lip in de gleuf te schuiven.



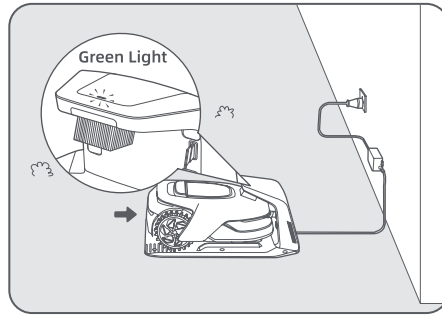
- 4 Sluit de voeding aan op het verlengsnoer en steek de stekker in het stopcontact. Zorg ervoor dat de voeding zich minimaal **30 cm** boven de grond bevindt.

Opmerking: Het ledlampje op het oplaadstation brandt continu blauw als er stroom is.



- 5 Plaats A1 Pro in het oplaadstation om op te laden. Zorg ervoor dat de laadcontacten op A1 Pro en het oplaadstation correct zijn aangesloten.

Opmerking: Het indicatielampje zal groen knipperen als A1 Pro succesvol wordt opgeladen in het oplaadstation.



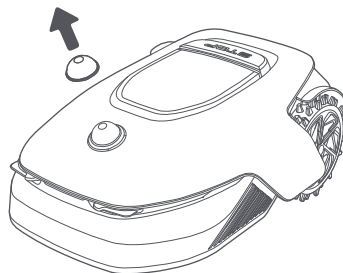
Ledlampje op het oplaadstation

Kleur ledlampje	Betekenis
Knipperend/continu rood	1. Er is een probleem met het oplaadstation (er is bijvoorbeeld een probleem met de laadstroom of -spanning).
	2. A1 Pro is gedockt in het oplaadstation, maar het opladen verloopt niet naar behoren (er is bijvoorbeeld kortsluiting in de laadcontacten).
Continu blauw	Het oplaadstation heeft stroom. A1 Pro bevindt zich niet in het oplaadstation.
Knipperend groen	A1 Pro is aan het opladen in het oplaadstation.
Continu groen	A1 Pro bevindt zich in het oplaadstation en is volledig opgeladen.

5 Voorbereidingen voor gebruik

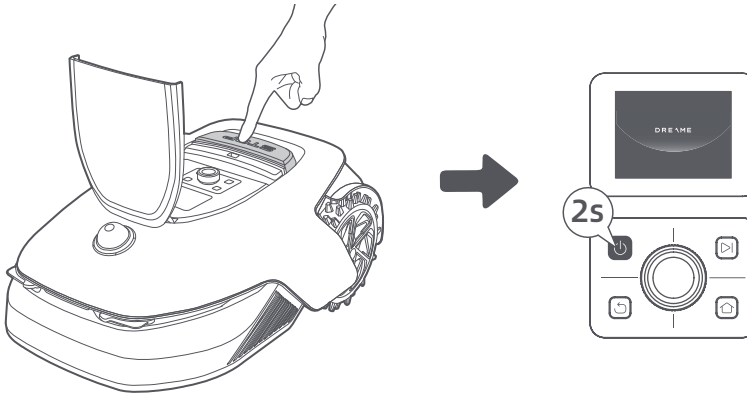
Voordat u A1 Pro kunt gebruiken, moet u een aantal basisinstellingen doorvoeren wanneer u A1 Pro voor het eerst inschakelt.

- 1 Verwijder de beschermkap van de lidar.



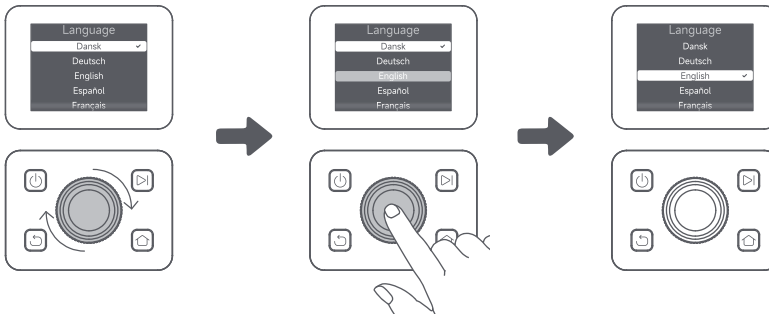
2 Druk op de Stopknop om de klep van het bedieningspaneel te openen. Houd de aan-uitknop op het bedieningspaneel gedurende twee seconden ingedrukt om A1 Pro in te schakelen.

Opmerking: Als A1 Pro in het oplaadstation is gedockt, wordt hij automatisch ingeschakeld.



3 Selecteer de gewenste taal

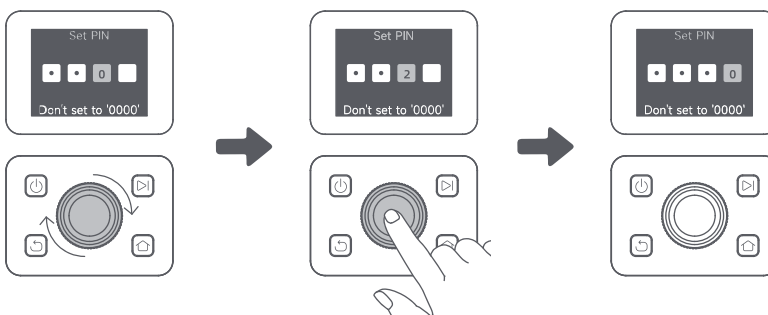
Om uw taal te selecteren draait u de knop rechtsom om naar beneden te gaan en linksom om naar boven te gaan. Druk op de knop om de selectie te bevestigen.



4 Pincode instellen

1. Draai aan de knop om een getal van 0 tot 9 te selecteren. Draai de knop rechtsom om van 0 naar 9 te gaan en linksom om van 9 naar 0 te gaan. Druk op de knop om het volgende getal in te voeren. Om het vorige getal te wijzigen, draait u de knop linksom totdat u bij het getal 0 bent. Vervolgens draait u de knop opnieuw naar het juiste getal.

Opmerking: Stel de pincode niet in op '0000'!



Voer de pincode nogmaals in om het instellen van de pincode te voltooien.

Opmerking: Als twee wachtwoorden niet overeenkomen, stel dan het nieuwe wachtwoord opnieuw in.

5 A1 Pro met internet verbinden

Scan de QR-code om de Dreamehome-app te downloaden op uw mobiele apparaat. Maak na de installatie een account aan en log in.

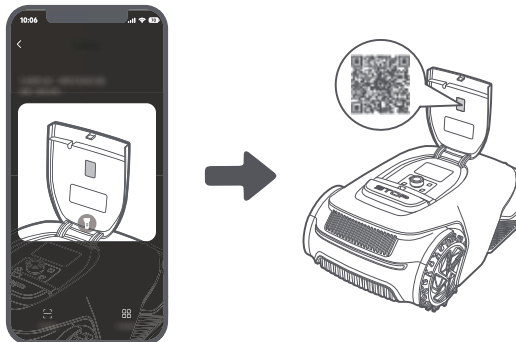


U kunt de Dreamehome-app ook downloaden via de App Store of Google Play.

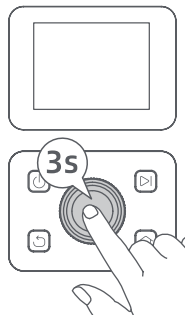


1) Bluetooth-verbinding

1. Schakel Bluetooth in op uw mobiele apparaat.
2. Scan de QR-code aan de binnenkant van de klep of selecteer A1 Pro handmatig via de app.



3. Houd de knop op het bedieningspaneel gedurende drie seconden ingedrukt en A1 Pro opent de Bluetooth-koppelingsmodus.



4. Koppel A1 Pro met uw mobiele apparaat via Bluetooth.

Opmerking: Zorg ervoor dat uw mobiele apparaat zich binnen 10 meter van A1 Pro bevindt.

2) Wifiverbinding

Zorg ervoor dat A1 Pro en uw mobiele apparaat zijn verbonden met hetzelfde wifinetwerk. Volg de aanwijzingen in de app om verbinding te maken.

Opmerking: Gebruik een single-bandnetwerk met een frequentie van 2,4 GHz of een dual-bandnetwerk met een frequentie van 2,4/5 GHz.

Opmerking: U kunt ook de Link-module aanschaffen om A1 Pro op afstand te besturen zonder wifiverbinding.

A1 Pro loskoppelen

A1 Pro is automatisch verbonden met het Dreamehome-account zodra het koppelen is geslaagd. Elk apparaat kan maar met één account worden verbonden. Het kan niet op hetzelfde moment met een ander account worden verbonden.

Als u A1 Pro met een nieuw account wilt verbinden, moet u hem eerst van het andere account loskoppelen.

U kunt naar "Apparaat" gaan en tikken op **Meer > Verwijderen** in de rechterbovenhoek om het apparaat te ontkoppelen.

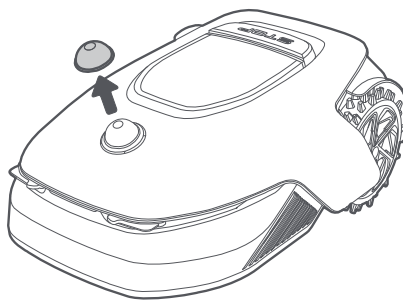
Uitloggen bij uw Dreamehome-account of het account verwijderen

Ga naar **Ik > Instellingen > Account > Uitloggen** om uit te loggen. Ga naar **Ik > Instellingen > Account > Account** verwijderen om het account te verwijderen.

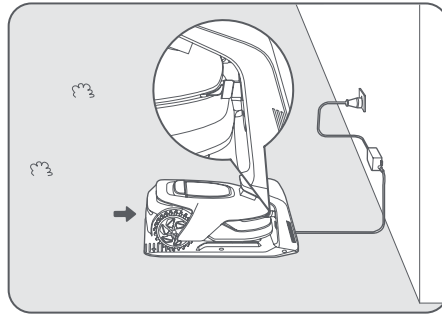
6 Uw tuin in kaart brengen

Let op de volgende punten voordat u uw tuin in kaart brengt:

- Het accuniveau van A1 Pro is meer dan 50%.
- De beschermkap van de lidar is verwijderd.

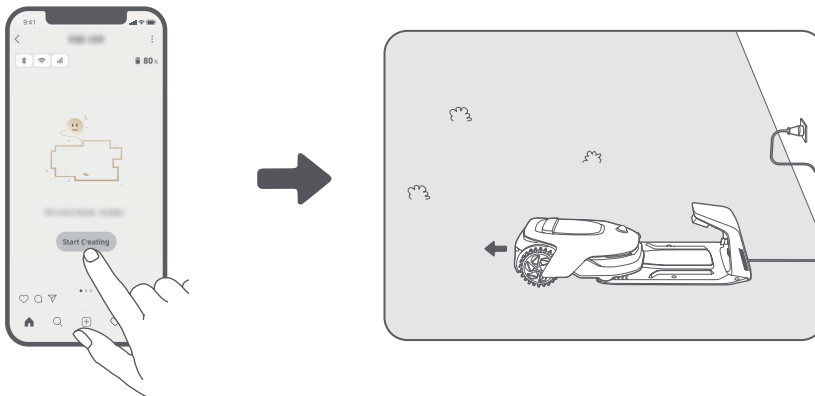


- A1 Pro koppelt correct in het oplaadstation.

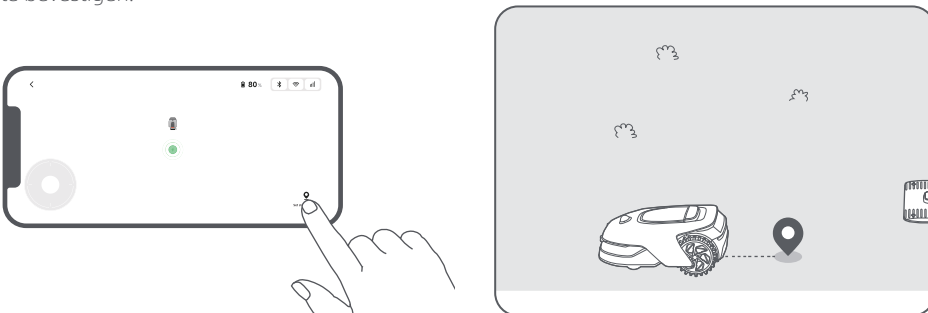


6.1 Grens aanmaken

- 1 Tik in de app op 'Maak plattegrond aan'. A1 Pro controleert dan de status en begint met kalibreren. Hij verlaat automatisch het oplaadstation om de kalibratie uit te voeren. Let op.



- 2 Stuur A1 Pro op afstand naar de rand van het gazon en tik op 'Startpunt instellen' om het startpunt van de grens te bevestigen.

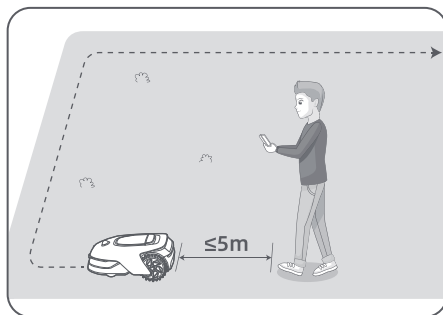


- 3 Bestuur A1 Pro op afstand langs de rand van het gazon om het maaigebied aan te maken. Als u A1 Pro op afstand bestuurt om de grens aan te maken, houd dan rekening met het volgende:

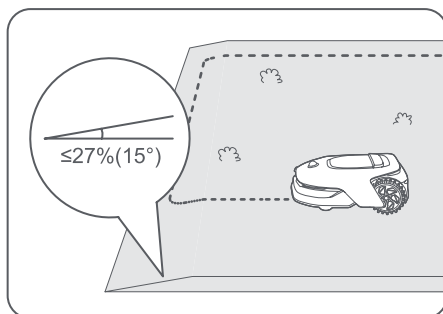
⚠ Waarschuwing: Verplaats A1 Pro niet handmatig tijdens het aanmaken van de grens. Het in kaart brengen van de grens kan dan mislukken.

⚠ Waarschuwing: Als u begint met het in kaart brengen via de afstandsbediening, dock A1 Pro dan niet op afstand in het oplaadstation, maar wacht totdat het in kaart brengen is voltooid. De lidar kan dan namelijk blokkeren, waardoor het in kaart brengen mogelijk mislukt.

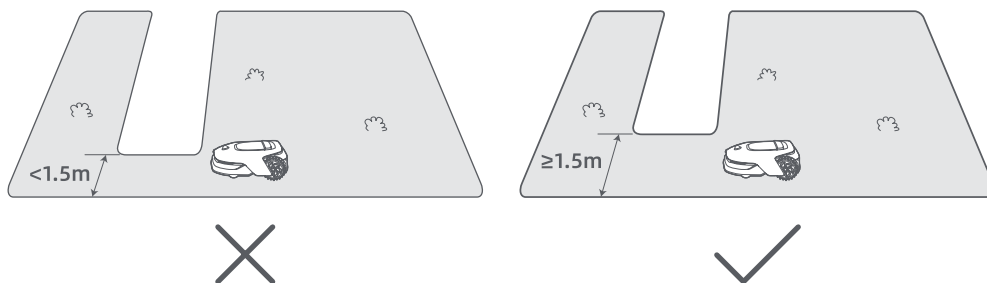
- Als u A1 Pro op afstand bestuurt, zorg er dan voor dat u binnen een straal van 5 meter achter A1 Pro aan loopt.



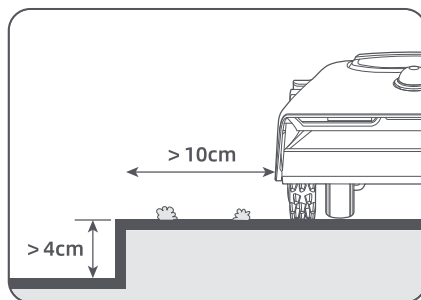
- Maak geen grens aan op een helling van meer dan 27%.



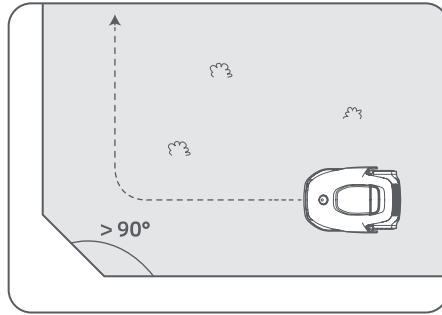
- Maak geen grenzen aan in doorgangen die smaller zijn dan 1.5 meter.



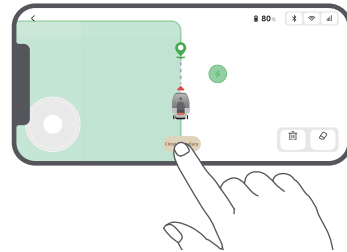
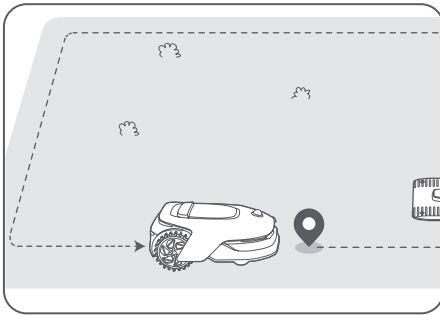
- Als er een hoogteverschil van meer dan **4 cm** is tussen de rand van het gazon en de aangrenzende grond, zorg er dan voor dat A1 Pro minstens **10 cm** van de rand van het gazon blijft.



- Zorg ervoor dat de draaihoeken groter zijn dan 90° .

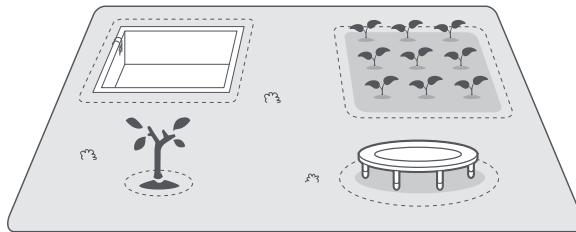


- 4 Als A1 Pro terugkeert naar de plek die zich 1 meter van het startpunt bevindt, tikt u op 'Grens sluiten'. Het aanmaken van de grens wordt dan automatisch voltooid.



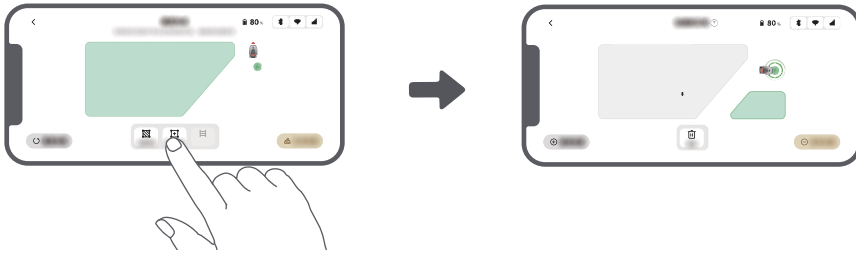
6.2 Verboden zone instellen

Hoewel de A1 Pro automatisch obstakels kan ontwijken, is het nog steeds nodig om zones met een risico op vallen, zoals zwembaden en zandbakken, als verboden zones in te stellen. Maak verboden zones aan voor dingen die u veilig wilt stellen (zoals bloemperken, trampolines, moestuinen of blootliggende boomwortels). In de app kunt u A1 Pro op afstand besturen om verboden zones aan te maken, of u kunt naar 'Kaart bewerken' gaan om rechtstreeks op de plattegrond verboden zones te tekenen of te verwijderen.



6.3 Meerdere zones instellen

Als uw gazon wordt gescheiden door tuinpaden of als u verschillende afzonderlijke grasvelden hebt, tikt u in de app op 'Werkzone toevoegen' om door te gaan met het aanmaken van maaizones op afstand. Als de plattegrond is voltooid, kunt u ook zones toevoegen, verwijderen of wijzigen in 'Kaart bewerken'.

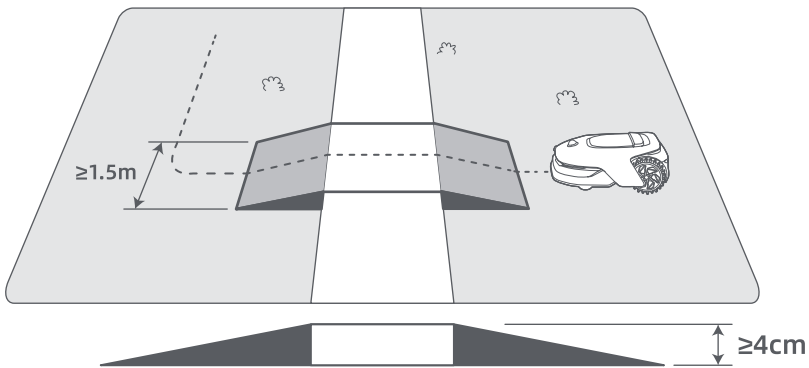


6.4 Pad instellen

Maak in het geval van afzonderlijke zones een pad aan om ze te verbinden. Afzonderlijke zones zonder pad zijn niet bereikbaar voor A1 Pro.

Opmerking: Standaard beweegt de A1 Pro alleen langs het pad zonder het gras te maaien.

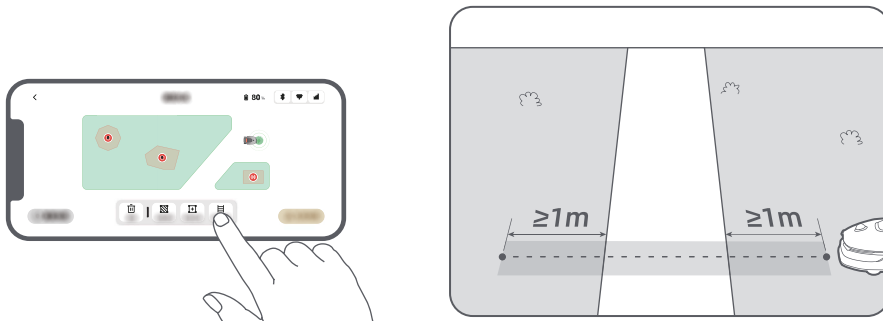
Opmerking: Als uw gazon wordt gescheiden door doorgangen die hoger zijn dan 4 cm, plaats dan een object dat even hoog is als de doorgang (zoals een oprijplaat).



• Twee afzonderlijke maaizones verbinden

Als er overlap is tussen de nieuwe zone(s) en de oorspronkelijke zone, worden ze automatisch samengevoegd. Maak voor afzonderlijke zones paden aan om ze te verbinden, anders zijn ze niet bereikbaar voor A1 Pro. Tik op 'Pad toevoegen' en bestuur A1 Pro op afstand om een pad aan te maken.

Opmerking: Zorg ervoor dat het begin en het einde van het pad in het maaigebied liggen. De afstand tussen het begin/einde van het pad en de grens moet minimaal 1 meter zijn.

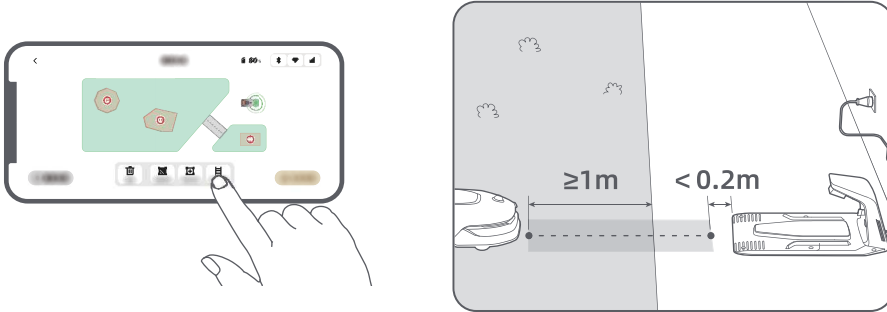


• Het maaigebied en het oplaadstation verbinden

Als het oplaadstation zich niet in het maaigebied bevindt, moet er een pad worden gemaakt om het oplaadstation met het maaigebied te verbinden. Tik op 'Pad toevoegen' en bestuur A1 Pro op afstand om een pad aan te maken waardoor hij terug kan keren naar het oplaadstation.

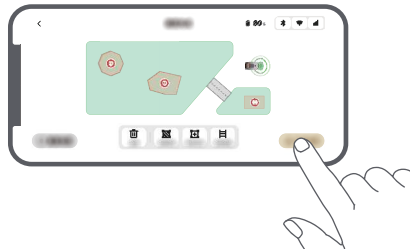
Opmerking: Zorg er bij het aanmaken van een pad voor dat het ene uiteinde van het pad zich overlapt met het werkgebied over ten minste 1 meter ($\geq 1\text{ m}$), en dat het andere uiteinde zich bevindt op minder dan 0,2 meter ($< 0,2\text{ m}$) voor het oplaadstation.

⚠ Waarschuwing: Dock A1 Pro niet op afstand in het oplaadstation op het moment dat u paden aanmaakt om het maaigebied en het oplaadstation met elkaar te verbinden. De lidar kan dan namelijk blokkeren, waardoor het in kaart brengen mogelijk mislukt.



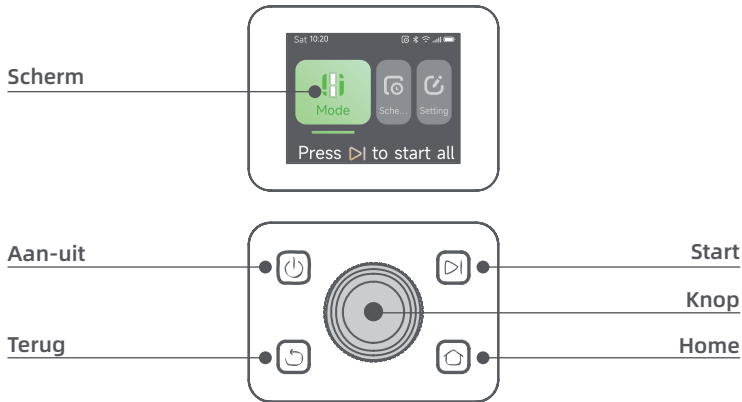
6.5 Plattegrond voltooien

Tik op 'Kaart voltooien' als de maaigebieden, paden en verboden zones voltooid zijn. A1 Pro moet zich binnen de plattegrond bevinden als de plattegrond voltooid wordt. Als dit niet het geval is, verschijnt het bericht dat u A1 Pro op afstand moet besturen om hem terug binnen de plattegrond te brengen.



7 Bediening

7.1 Het bedieningspaneel leren kennen



Pictogram	Status
	Accuniveau (geeft het huidige niveau van de accu aan.)
	Opladen (A1 Pro is correct in het oplaadstation gedockt.)
	Bluetooth (A1 Pro is via Bluetooth met de app verbonden.)
	Wifi (A1 Pro is via een wifinetwork met de app verbonden.)
	Link-service (Link-service is geactiveerd.)
	Schema (er is een taak gepland voor vandaag en is nog niet gestart.)

Knop	Functie
Aan-uit 	Zorg ervoor dat A1 Pro zich buiten het oplaadstation bevindt. Houd de aan-uitknop gedurende twee seconden ingedrukt om A1 Pro in of uit te schakelen.
Start 	Druk op de Startknop en sluit de klep binnen vijf seconden om te beginnen met maaien. De taak wordt geannuleerd als de klep niet binnen vijf seconden wordt gesloten.
Home 	Druk op de Home-knop en sluit de klep binnen vijf seconden om A1 Pro terug te sturen naar het oplaadstation om op te laden. De taak wordt geannuleerd als de klep niet binnen vijf seconden wordt gesloten.
Terug 	Druk op de Terugknop om terug te gaan naar de vorige pagina.
Knop	Druk op de knop om de selectie in de menu's te bevestigen.
	Houd de knop gedurende drie seconden ingedrukt om de Bluetooth-koppelingsmodus in te schakelen op A1 Pro.
	Draai de knop rechtsom/linksom om door het menu te navigeren.
Start + Terug	Houd de Start- en Terugknop tegelijkertijd gedurende drie seconden ingedrukt om A1 Pro terug te zetten naar de fabrieksinstellingen. De pincode wordt niet gewist.
Home + Terug	Houd de Home- en Terugknop tegelijkertijd gedurende drie seconden ingedrukt om naar de pagina Over in Instellingen te gaan. De pagina Over verdwijnt na vijf seconden.
Knop + Terug	Houd de knop en de Terugknop tegelijkertijd gedurende drie seconden ingedrukt om de pincode te resetten.
Stop	Druk op de Stopknop om de klep van het bedieningspaneel te openen en A1 Pro te stoppen. U moet de pincode invoeren op het bedieningspaneel om A1 Pro weer te kunnen gebruiken.

Overzicht menustructuur

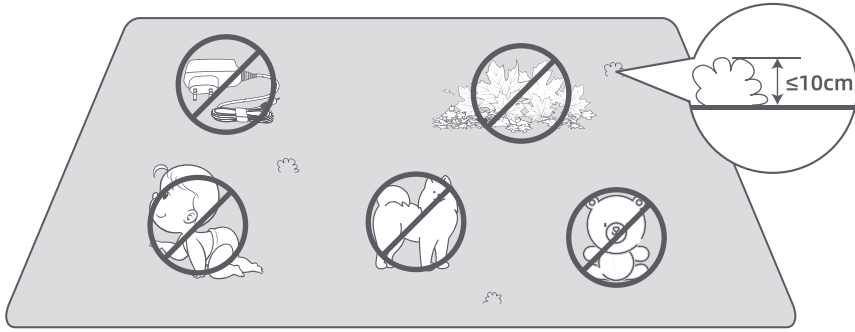


* Afhankelijk van de softwareversie kunnen er updates worden uitgevoerd.

7.2 Voor het eerst beginnen met maaien

Tips voor het maaien:

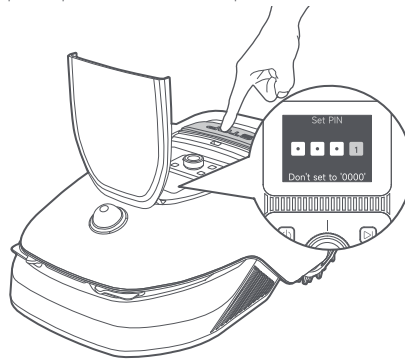
- Gebruik een handmaaier om het gras te maaien tot een hoogte van maximaal 10 cm.
- Haal obstakels zoals afval, hopen bladeren, speelgoed, kabels en stenen van het gazon. Zorg ervoor dat er geen kinderen of huisdieren op het gazon zijn als A1 Pro aan het maaien is.
- Vul de gaten in het gazon op.
- Stel vooraf uw maaivoorkeuren in via de app (zoals maai-efficiëntie, maaihoogte en maairichting).



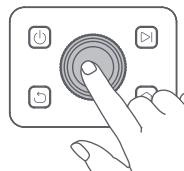
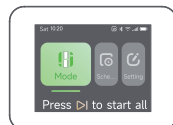
Druk op de **Startknop** op het bedieningspaneel en sluit de klep aan de bovenkant binnen vijf seconden. A1 Pro verlaat het oplaadstation en begint met maaien. U kunt ook in de app op 'Start' tikken om te beginnen met maaien.

• **Start via het bedieningspaneel**

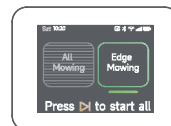
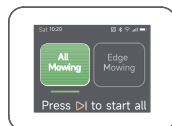
1. Druk op de **Stopknop** om de klep te openen en voer de pincode in.



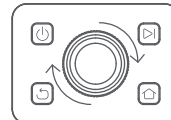
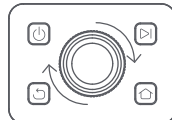
2. Selecteer 'Modi' op het scherm en druk op de knop.



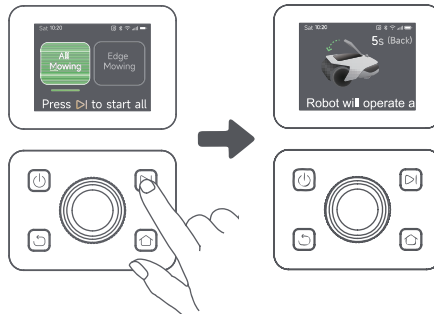
3. Draai aan de knop om de maaimodus te selecteren.



OR

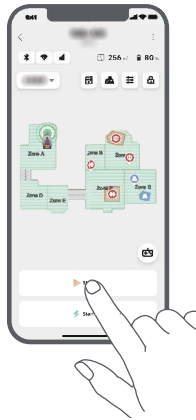


4. Druk op de **Startknop** en sluit de klep aan de bovenkant binnen vijf seconden. A1 Pro begint met maaien.



• Starten via de app

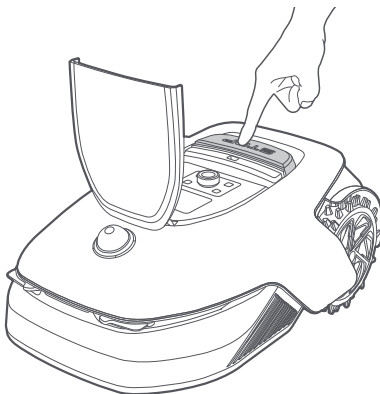
1. Open de app.
2. Selecteer een maaimodus en tik op 'Start' om te beginnen met maaien.



7.3 Pauze

Druk op de **Stopknop** op A1 Pro of op 'Pauze' in de app om de huidige maaitaak te pauzeren.

Opmerking: A1 Pro wordt vergrendeld en kan niet rechtstreeks via de app worden gestart nadat er op de Stopknop is gedrukt. Voer de vooraf ingestelde pincode in op het bedieningspaneel om het maaien te hervatten.

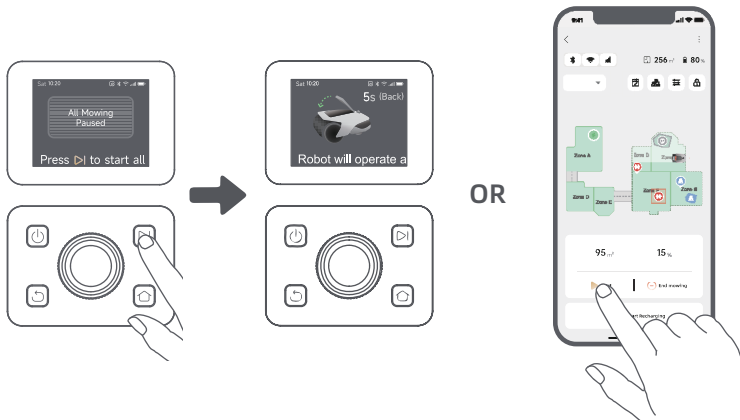


OR



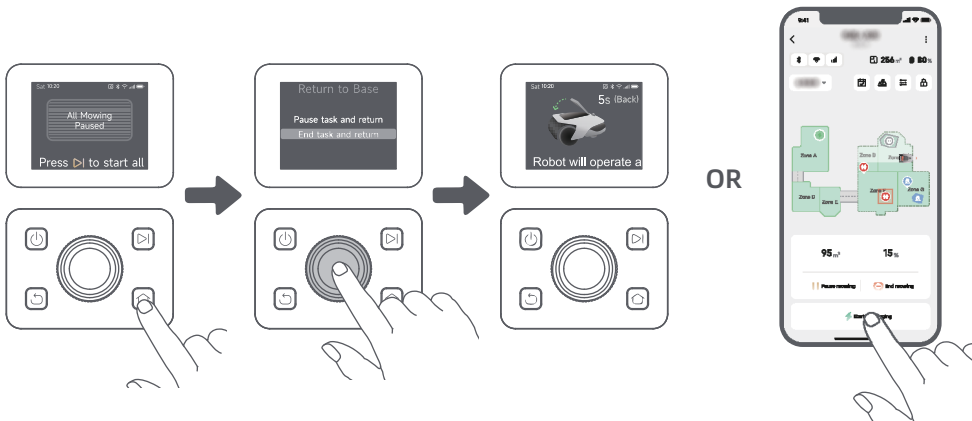
7.4 Hervatten

Druk op de Startknop op A1 Pro en sluit de klep binnen vijf seconden om de taak te hervatten als A1 Pro gepauzeerd is. A1 Pro hervat de vorige maaitaak. U kunt ook in de app op 'Ga verder' tikken om de maaitaak te hervatten.



7.5 Terugkeren naar het oplaadstation

Om de maaitaak te stoppen en A1 Pro terug te sturen naar het oplaadstation, bevestigt u uw pincode op het bedieningspaneel en drukt u op de Home-knop. Bevestig om de taak te beëindigen en sluit de klep binnen vijf seconden. A1 Pro keert automatisch terug naar het oplaadstation om op te laden. U kunt ook in de app op 'Terugkeren naar oplaadstation' tikken om A1 Pro terug te sturen naar het oplaadstation.



8 Dreamehome-app

Ontdek meer

De Dreamehome-app is meer dan een afstandsbediening. U kunt verschillende dingen doen via de app: allerlei instellingen op afstand doorvoeren, verschillende maaimodi proberen, de plattegrond naar wens aanpassen en maaischema's wijzigen. Bovendien kunt u de 3D-plattegrond van uw gazon direct in de app bekijken.

8.1 Maaimodi

A1 Pro beschikt over verschillende maaimodi. In de app kunt u tussen de verschillende maaimodi schakelen.



8.2 Schema

Zodra de eerste plattegrond voltooid is, maakt A1 Pro automatisch twee wekelijkse maaischema's aan die zijn afgestemd op de grootte van het gazon: 'Spr & som schema' en 'Aut & Win schema'. U kunt in de app op 'Schema' tikken voor gedetailleerde schema-instellingen. Dankzij de planningsfunctie kunt u het dagelijkse maaiwerk volledig aan A1 Pro overlaten. Het enige wat u hoeft te doen is A1 Pro regelmatig onderhouden.

Opmerking: Bent u bang dat A1 Pro u of uw bureu zal storen tijdens bepaalde tijden als hij zelfstandig maait? Ga dan in de app naar Instellingen > Niet-storen en stel de Niet-storen-tijd in.



8.3 Kinderslot

Bent u bang dat kinderen A1 Pro gaan besturen? Schakel dan de functie 'Kinderslot' in via de app. Als deze functie is ingeschakeld, wordt A1 Pro vergrendeld als er gedurende vijf minuten niks wordt gedaan en als de klep open is.



8.4 Regenbescherming

Bent u bang dat slechte weersomstandigheden het maaiwerk zullen verstoren? Schakel dan de functie 'Regenbescherming' in onder 'Instellingen' op het bedieningspaneel of via de app. Als deze functie is ingeschakeld, pauzeert A1 Pro automatisch het maaien en keert terug naar het oplaadstation als het regent. U kunt de regenbeschermingstijd instellen in de app.



8.5 Vorstbeveiliging

Bij temperaturen lager dan 6°C zal het maaien blijvende schade aan het gazon veroorzaken. De accu wordt niet opgeladen vanwege de automatische beveiliging. U kunt de functie 'Vorstbeveiliging' inschakelen onder 'Instellingen' op het bedieningspaneel of via de app. Deze functie zorgt ervoor dat A1 Pro het maaien automatisch pauzeert en terugkeert naar het oplaadstation als de omgevingstemperatuur lager dan 6°C is. A1 Pro hervat het maaien automatisch als de temperatuur hoger dan 11°C is.



8.6 Optilalarm

Als deze functie is ingeschakeld, wordt A1 Pro vergrendeld en gaat het alarm onmiddellijk af als hij wordt opgetild.



8.7 Alarm voor buiten de plattegrond

Als deze functie is ingeschakeld, wordt A1 Pro vergrendeld en gaat het alarm onmiddellijk af als hij zich buiten de plattegrond bevindt. (Voor deze functie moet de Link-module worden geïnstalleerd.)



8.8 Locatie in realtime

Met de Link-module kunt u de huidige locatie van A1 Pro in Google Maps bekijken.



Opmerking: Het ontwikkelingsteam van Dreame voert voortdurend draadloze updates en draadloos onderhoud uit voor de firmware en app. Controleer of er updates beschikbaar zijn of schakel de automatische updatefunctie in om de firmware en app up-to-date te houden en te profiteren van nog meer functies.

9 Onderhoud

Om de prestaties en levensduur van A1 Pro te verbeteren, moet u het apparaat regelmatig reinigen en versleten onderdelen vervangen zoals hieronder aangegeven:

Onderdeel	Vervangingsfrequentie
Bladen	Elke 6-8 weken of vaker
Reinigingsborstel	Elke 12 maanden of vaker

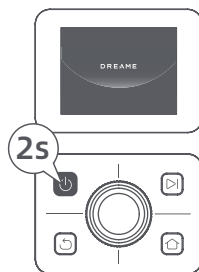
9.1 Reiniging

⚠ Waarschuwing: Schakel A1 Pro uit en haal de stekker uit het oplaadstation voordat u hem reinigt.

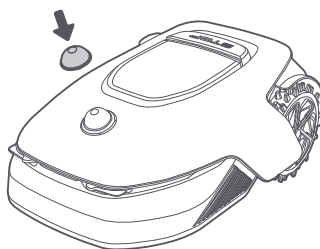
⚠ Waarschuwing: Controleer of de beschermkap van de lidar op de lidar zit voordat u A1 Pro ondersteboven keert en voorkom zo schade aan de lidar.

• De behuizing van A1 Pro, Onderstel en maaikop:

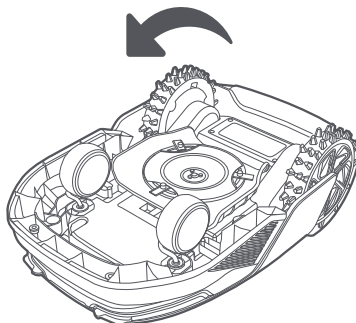
1. Schakel A1 Pro uit.



2. Plaats de beschermkap van de lidar op de lidar.



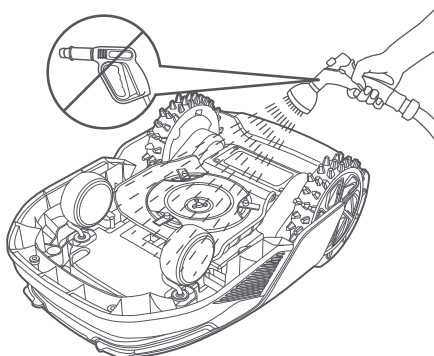
3. Keer A1 Pro ondersteboven.



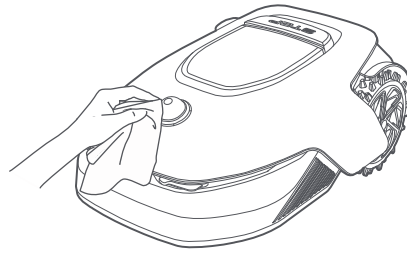
4. Reinig het lichaam, de messenschijf en het chassis van A1 Pro met een slang.

⚠ Waarschuwing: Raak de bladen niet aan tijdens het reinigen van het onderstel. Draag handschoenen tijdens het reinigen.

⚠ Waarschuwing: Gebruik geen hogedruksluit voor het reinigen. Gebruik geen schoonmaakmiddelen voor het reinigen.

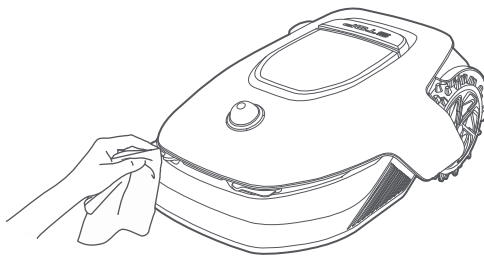


5. Gebruik een pluisvrije doek om de lidarsensor voorzichtig te reinigen.



• Laadcontacten:

Gebruik een schone doek om de laadcontacten op A1 Pro en het oplaadstation te reinigen. Zorg ervoor dat de laadcontacten droog blijven na het reinigen.



9.2 Onderdelen vervangen

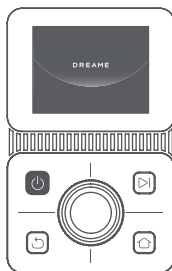
• Bladen vervangen

Vervang de bladen regelmatig om ze scherp te houden. We raden aan om de bladen elke 6-8 weken of vaker te vervangen. Gebruik alleen originele Dreame-bladen.

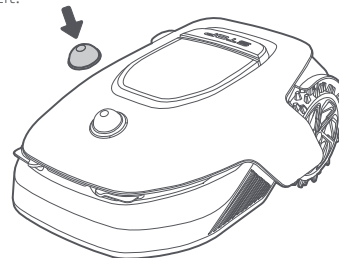
⚠ Waarschuwing: Schakel A1 Pro uit en draag beschermende handschoenen voordat u de bladen vervangt.

Opmerking: Vervang alle drie de bladen tegelijkertijd voor een gelijkmatig maairesultaat.

1. Schakel A1 Pro uit.

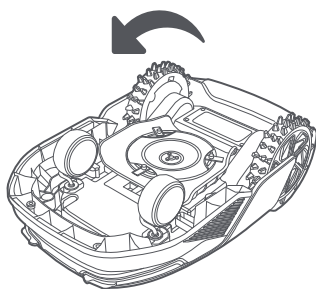


2. Controleer of de beschermkap van de lidar erop zit.

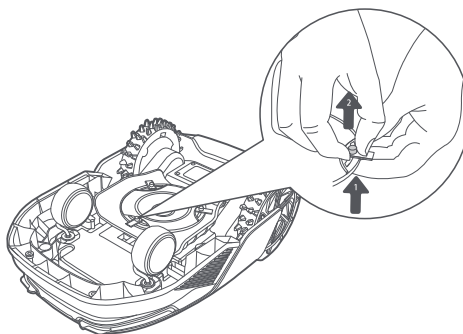


3. Plaats A1 Pro op een zachte ondergrond en keer hem ondersteboven.

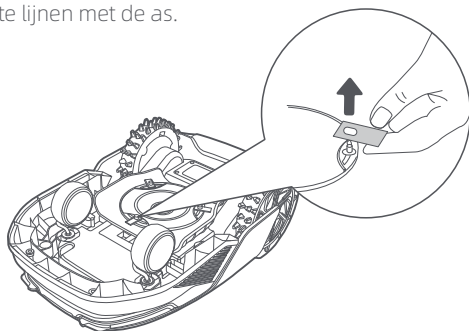
4. Verwijder de houder door op de knop onder de maai kop te drukken.



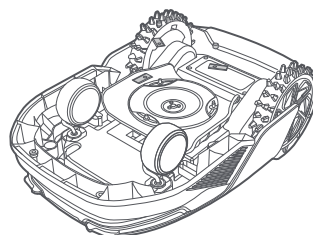
5. Verwijder het blad door het gat van het blad uit te lijnen met de as.



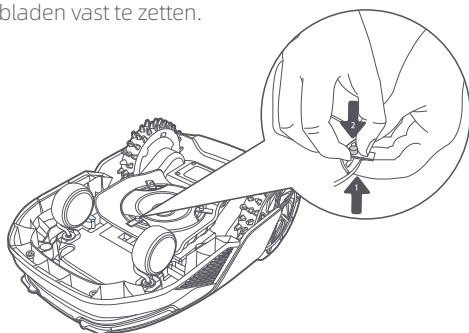
6. Verwijder de drie bladen en houders.



7. Druk op de knop onder de maaikop en lijn het gat van de houder uit met de as om de houders en bladen vast te zetten.



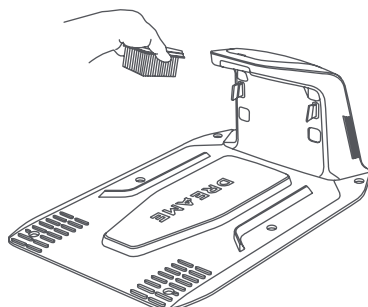
8. Zorg ervoor dat de bladen ongehinderd kunnen draaien.



• Reinigingsborstel vervangen

Als de reinigingsborstel voor de lidarsensor slijt, rafelen of verslechteren de borstelharen, waardoor de borstel niet meer goed kan reinigen. Vervang de reinigingsborstel regelmatig om een goed reinigingsresultaat te behouden. We raden aan om de reinigingsborstel elke 12 maanden of vaker te vervangen.

Opmerking: Haal de stekker van het oplaadstation uit het stopcontact voordat u de reinigingsborstel vervangt.



10 Accu

Als u A1 Pro lange tijd niet gebruikt, laad de accu dan om de 6 maanden op een goede staat van de accu te waarborgen. Accuschade als gevolg van overmatige ontlading wordt niet gedekt door de beperkte garantie. Laad de accu niet op bij een omgevingstemperatuur hoger dan 45° C of lager dan 6° C. Als u de accu langdurig opslaat, zorg er dan voor dat de omgevingstemperatuur tussen de -10 en 35° C ligt. Om schade te beperken, raden we aan om de accu op te slaan bij een omgevingstemperatuur tussen de 0 en 25° C.

Opmerking: De levensduur van de accu van A1 Pro hangt af van de mate van gebruik en het aantal maaiuren. Als de accu is beschadigd of niet kan worden opgeladen, gooi de verouderde of defecte accu dan niet zomaar weg. Houd u aan de lokale recyclingvoorschriften.

Spaarstand:

Als de spaarstand is ingeschakeld, worden alle functies die niks met opladen te maken hebben uitgeschakeld. (Het scherm en het netwerk worden uitgeschakeld.)

- Om de spaarstand in te schakelen, houdt u de **Start-** en **Home-knop** tegelijkertijd ingedrukt en op hetzelfde moment drukt u vijf keer snel op de **Terugknop**. Er klinkt een spraakmelding: Spaarstand is ingeschakeld.
- Om de spaarstand uit te schakelen, start u A1 Pro opnieuw op of drukt u vijf keer snel op de aan-uitknop.

11 Winteropslag

• A1 Pro

1. Laad de accu volledig op en schakel A1 Pro uit.

2. Reinig A1 Pro grondig voordat u hem opslaat tijdens de winter.
3. Breng de beschermkap van de lidar aan.
4. Sla A1 Pro binnen en op een droge plek op, bij een temperatuur hoger dan 0° C.

• Oplaadstation

Haal de stekker van het oplaadstation uit het stopcontact en sla het station op een droge en koele plek op, waar het niet wordt blootgesteld aan direct zonlicht.

Opmerking: Als u A1 Pro lange tijd niet hebt gebruikt, breng uw tuin dan opnieuw in kaart. Grote veranderingen in de werkomgeving kunnen namelijk leiden tot positioneringsfouten.

12 Transport

Als u A1 Pro over een lange afstand vervoert, raden we aan de originele verpakking te gebruiken om het product te beschermen. Breng de beschermkap van de lidar aan.

⚠ Waarschuwing: Schakel A1 Pro uit voordat u hem vervoert.

⚠ Waarschuwing: Til het product aan de achterkant op, met de maaikop van uw lichaam af.

13 Probleemoplossing

Probleem	Oorzaak	Oplossing
A1 Pro is niet verbonden met de app.	<ol style="list-style-type: none"> 1. A1 Pro bevindt zich niet binnen het signaalbereik van de wifi of Bluetooth. 2. A1 Pro is uitgeschakeld of start opnieuw op. 	<ol style="list-style-type: none"> 1. Controleer of A1 Pro het inschakelproces heeft doorlopen. 2. Controleer of de router goed werkt. 3. Ga dichterbij A1 Pro staan om te verbinden met Bluetooth.
A1 Pro opgetild.	Het wiel staat niet op de grond.	<ol style="list-style-type: none"> 1. Zet A1 Pro terug op een vlakke ondergrond. 2. Voer de pincode in op A1 Pro en bevestig. 3. A1 Pro kan niet over voorwerpen heen die hoger zijn dan 4 cm. Zorg ervoor dat de grond waar hij maait vlak is.
A1 Pro gekanteld.	A1 Pro is meer dan 37° gekanteld.	<ol style="list-style-type: none"> 1. Zet A1 Pro terug op een vlakke ondergrond. 2. Voer de pincode in op A1 Pro ter bevestiging. 3. A1 Pro kan niet tegen hellingen op die meer dan 45% (24°) zijn.
A1 Pro zit vast.	A1 Pro zit vast en kan niet loskomen.	<ol style="list-style-type: none"> 1. Haal de obstakels in de omgeving weg en probeer het opnieuw. 2. Breng A1 Pro handmatig naar een vlakke en open plek op de plattegrond en voer de taak opnieuw uit. Als dit probleem zich blijft voordoen, probeer het dan opnieuw nadat A1 Pro in het oplaadstation is geplaatst. 3. Kijk of er gaten in de grond zitten. Vul de gaten op voordat A1 Pro gaat maaien om te voorkomen dat hij vast komt te zitten. 4. Controleer of het omringende gras hoger is dan 10 cm. U kunt de obstakelvermijdingshoogte aanpassen of een handmaaier gebruiken om het gazon van tevoren te maaien om te voorkomen dat A1 Pro vast komt te zitten. 5. Als A1 Pro vaak vast komt te zitten op deze plek, kunt u dit gebied instellen als verboden zone.
Storing linker-/ rechterachterwiel	Het wiel kan niet draaien of er is een probleem met de motor van het wiel.	<ol style="list-style-type: none"> 1. Reinig de achterwielen en probeer het opnieuw. 2. Als dit probleem zich blijft voordoen, probeer de robot dan opnieuw op te starten. 3. Als het probleem aanhoudt, neem dan contact op met de after-sales service.
Maaikop kan niet draaien.	De maaikop kan niet normaal draaien of er is een probleem met de motor van de maaikop.	<ol style="list-style-type: none"> 1. Reinig de maaikop en probeer het opnieuw. 2. Controleer of het omringende gras hoger is dan 10 cm. U kunt een handmaaier gebruiken om het gazon van tevoren te maaien om te voorkomen dat de maaikop wordt geblokkeerd door hoog gras. 3. Kijk of er water onder de maaikop ligt. Als dit het geval is, breng de robot dan naar een droge plek en probeer het opnieuw. 4. Als dit probleem zich blijft voordoen, probeer de robot dan opnieuw op te starten. 5. Als het probleem aanhoudt, neem dan contact op met de after-sales service.

Probleem	Oorzaak	Oplossing
Bumperstoring.	De sensor van de voorbumper wordt constant geactiveerd.	<ol style="list-style-type: none"> 1. Kijk of A1 Pro ergens vastzit. 2. Tik zachtjes op de bumper en kijk of deze terugveert. 3. Als dit probleem zich blijft voordoen, probeer de robot dan opnieuw op te starten. 4. Als het probleem aanhoudt, neem dan contact op met de after-sales service.
Opladen is abnormaal	A1 Pro is gedockt in het oplaadstation, maar er is een probleem met de laadstroom of -spanning.	<ol style="list-style-type: none"> 1. Controleer of het oplaadstation correct op het stroomnetwerk is aangesloten. 2. Controleer of de laadcontacten op A1 Pro en het oplaadstation schoon zijn. 3. Probeer A1 Pro opnieuw in het oplaadstation te docken nadat u alles gecontroleerd hebt. 4. Als het probleem aanhoudt, neem dan contact op met de after-sales service.
De accutemperatuur is te hoog.	De accutemperatuur is hoger dan 60°C .	<ol style="list-style-type: none"> 1. Gebruik A1 Pro bij een omgevingstemperatuur lager dan 40°C . Wacht tot de accutemperatuur automatisch daalt. 2. Schakel A1 Pro uit en start na een tijdje opnieuw op. 3. Als het probleem aanhoudt, neem dan contact op met de after-sales service.
Lidar is geblokkeerd.	Lidar is geblokkeerd (de beschermkap van de lidar is bijvoorbeeld niet verwijderd).	<ol style="list-style-type: none"> 1. Verwijder de beschermkap van de lidar en probeer het opnieuw. 2. Als de lidar aan de bovenkant van de robot erg vuil is, reinig deze dan met een pluisvrije doek en probeer het opnieuw.
Lidarstoring.	Lidar is erg vuil of er is sprake van een sensorstoring.	<ol style="list-style-type: none"> 1. Controleer of de lidar vuil is. Reinig indien nodig en probeer het opnieuw. 2. Als dit probleem zich blijft voordoen, probeer de robot dan opnieuw op te starten. 3. Als het probleem aanhoudt, neem dan contact op met de after-sales service.
A1 Pro is verdwaald.	Positionering werkt niet.	<ol style="list-style-type: none"> 1. Controleer of de lidar aan de bovenkant van A1 Pro vuil is. Vuil heeft invloed op de positionering. 2. Breng A1 Pro handmatig naar een open plek op de plattegrond en voer de taak opnieuw uit. 3. Als de positionering nog steeds niet goed gaat, stuur A1 Pro dan op afstand via de app terug naar het oplaadstation en start de maaitaak dan.
Sensorstoring.	Sensorstoring.	<ol style="list-style-type: none"> 1. Start A1 Pro opnieuw op en probeer het opnieuw. 2. Als het probleem aanhoudt, neem dan contact op met de after-sales service.
A1 Pro bevindt zich in de verboden zone.	A1 Pro bevindt zich in de verboden zone.	<ol style="list-style-type: none"> 1. Haal de robot handmatig uit de verboden zone en probeer het opnieuw. 2. Bestuur de robot op afstand via de app om hem uit de verboden zone te halen en probeer het opnieuw.
A1 Pro bevindt zich buiten de plattegrond.	A1 Pro bevindt zich buiten de plattegrond.	<ol style="list-style-type: none"> 1. Breng de robot handmatig binnen de plattegrond en probeer het opnieuw. 2. Stuur de robot op afstand via de app terug binnen de plattegrond en probeer het opnieuw.
De noodstop is geactiveerd.	De Stopknop op A1 Pro is ingedrukt.	Voer de pincode in op A1 Pro om de noodstop uit te schakelen.

Probleem	Oorzaak	Oplossing
De accu is bijna leeg. A1 Pro wordt zo uitgeschakeld.	Accuniveau is minder dan 10%.	Dock A1 Pro in het oplaadstation om op te laden.
A1 Pro bevindt zich buiten de plattegrond. De kans om gestolen te worden is nu groter.	A1 Pro bevindt zich buiten de plattegrond.	<ol style="list-style-type: none"> 1. Voer de pincode in om te valideren. 2. U kunt het Alarm voor buiten de plattegrond uitschakelen in de app bij Instellingen.
Terugkeren naar het oplaadstation mislukt.	A1 Pro wil terugkeren naar het oplaadstation, maar kan het station niet vinden.	<ol style="list-style-type: none"> 1. Controleer of er obstakels zijn die A1 Pro blokkeren. Haal de obstakels weg en probeer het opnieuw. 2. Stuur A1 Pro op afstand via de app terug naar het oplaadstation.
Docken in het oplaadstation mislukt.	A1 Pro heeft het oplaadstation gevonden, maar kan niet docken.	<ol style="list-style-type: none"> 1. Ga na of de reflecterende folies op het oplaadstation vuil of geblokkeerd zijn. 2. Kijk of er obstakels voor het oplaadstation liggen. 3. Controleer of het oplaadstation is verplaatst. 4. Controleer of de grondplaat bedekt is met dikke modder. 5. Controleer of het station stroom heeft. 6. Help de robot handmatig of met de afstandsbediening aan te meren in het station.
Positioneren mislukt.	Positioneren mislukt als A1 Pro een maaitaak probeert te starten.	<ol style="list-style-type: none"> 1. De lidar kan geblokkeerd zijn. Breng de robot handmatig naar een vlakke en open plek op de plattegrond en voer de taak opnieuw uit. 2. Als je blijft stuiten op deze fout, probeer het dan opnieuw nadat de robot is aangemeerd in het station.
De accutemperatuur is hoog.	De accutemperatuur is hoger dan 45°C .	<ol style="list-style-type: none"> 1. Als de accutemperatuur boven de 45°C komt, kan het opladen mislukken. 2. Gebruik A1 Pro bij een omgevingstemperatuur lager dan 40°C .
De accutemperatuur is laag.	De accutemperatuur is lager dan 6°C .	<ol style="list-style-type: none"> 1. Als de accutemperatuur onder de 6°C komt, kan het opladen mislukken. 2. Gebruik A1 Pro bij een omgevingstemperatuur hoger dan 6°C .
De maaikop kan niet omhoog of omlaag bewegen.	De maaikop kan niet omhoog of omlaag bewegen.	<ol style="list-style-type: none"> 1. Reinig de maaikop en probeer het opnieuw. 2. Als u deze fout blijft tegenkomen, probeer dan de robot opnieuw op te starten. 3. Als het probleem aanhoudt, neem dan contact op met de klantenservice.
Onvoldoende ruimte om voor het station te keren.	Onvoldoende ruimte om voor het station te keren.	<ol style="list-style-type: none"> 1. Als het station aan de rand van de kaart of daarbinnen is geplaatst, zorg er dan voor dat er ten minste 1 m vrije ruimte is tussen het voorste gebied van de grondplaat van het station en de grens van de kaart; anders kan de robot mogelijk niet keren. 2. Verplaats het station of wijzig de plattegrond in Kaart bewerken.

14 Specificaties

Basisgegevens	Productnaam	Dreame Robotmaaier
	Merk	Dreame
	Afmetingen	643 × 436.5 × 261 mm
	Gewicht (inclusief accu)	12.6 kg
Maaien	Aanbevolen werkvermogen	2000 m ²
	Maaiefficiëntie	Standaard: 120 m ² /uur Efficiënt: 200 m ² /uur
	Maaihoopte	30~70 mm
	Maaibreedte	22 cm
	Oplaadtijd ^[1]	65 min
Geluidsniveaus	Geluidsvermogensniveau LWA	64 dB(A)
	Geluidsvermogen onzekerheden KWA	3 dB(A)
	Geluidsdruk niveau LpA	56 dB(A)
	Geluidsdruk onzekerheden KpA	3 dB(A)
Werkom-standigheden	Werktemperatuur	0~50° C Aanbevolen: 10~35° C
	Temperatuur voor langdurige opslag	-10~35° C Aanbevolen: 0~25° C
	IP-classificatie	Maaier: IPX6 Oplaadstation: IPX4 Voeding: IP67
	Maximale helling voor maaigebied	45% (24°)
Connectiviteit	Frequentiebereik Bluetooth	2400.0~2483.5 MHz
	Wifi	Wi-Fi 2.4 GHz (2400-2483.5M)
	Maximale RF-vermogen	802.11b:16±2dBm(@11Mbps) 802.11g:14±2dBm(@54Mbps) 802.11n:13±2dBm(@HT20,HT40) Bluetooth: 7.49dBm
	Link-service (optioneel) ^[2]	LTE-FDD: B1/3/7/8/20/28A LTE-TDD: B38/40/41
	GNSS (optioneel) ^[3]	GPS/GLONASS/BDS/Galileo/QZSS

Aandrijfmotor	Rijsnelheid met afstandsbediening	0.45 m/s
	Rijsnelheid tijdens maaien	Standard: 0.35 m/s Efficient: 0.6 m/s
Maaimotor	Snelheid	2200 /min
Accu (maaier)	Type accu	Lithiumionaccu
	Nominaal vermogen	5000 mAh
	Nominale spanning	18 V
Voeding	Ingangsspanning	100~240 V
	Uitgangsspanning	20 V
	Uitgangsstroom	3 A
Oplaadstation	Ingangsspanning	20 V
	Uitgangsspanning	20 V
	Ingangsstroom	3 A
	Uitgangsstroom	3 A

[1] Oplaadtijd wordt berekend wanneer A1 Pro automatisch terugkeert naar het oplaadstation als de accu bijna leeg is.

[2] Hiervoor moet de Link-module worden geïnstalleerd.

[3] Hiervoor moet de Link-module worden geïnstalleerd.

Opmerking: De specificaties zijn onderhevig aan wijzigingen, omdat we ons product voortdurend verbeteren. Ga voor de meest recente informatie naar onze website global.dreametech.com.

