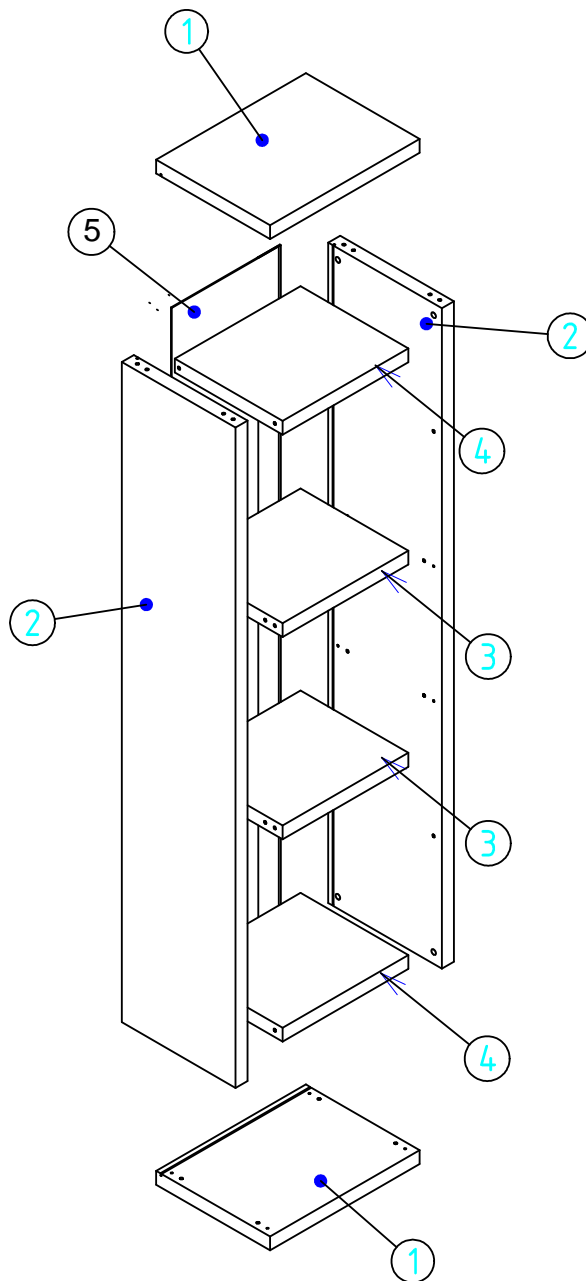
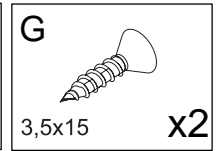
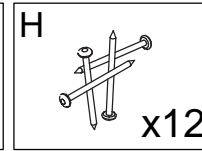
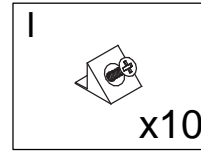
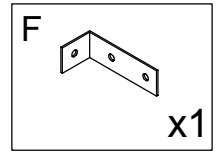
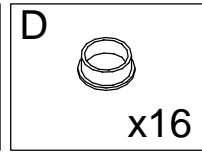
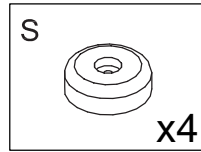
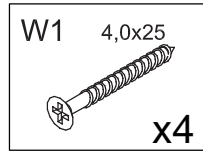
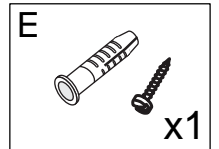
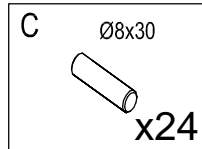
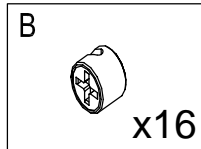
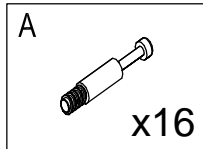
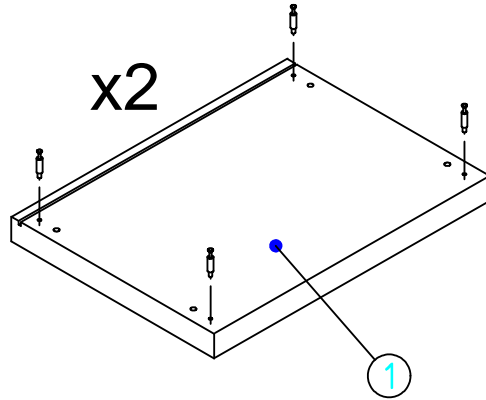
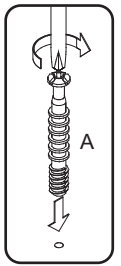
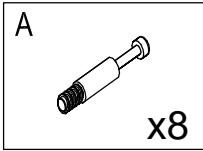


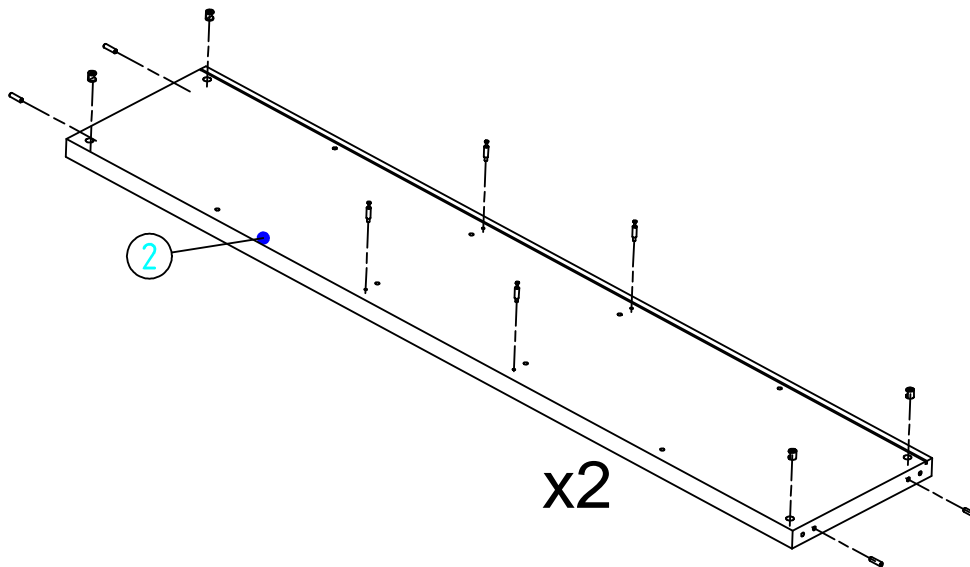
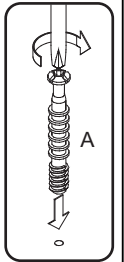
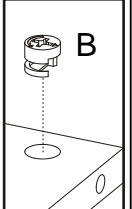
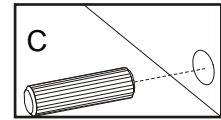
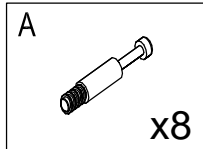
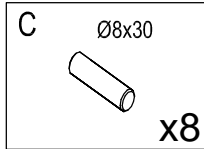
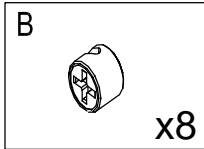
NUMER	L	W	T	COUNT	COLI
1	500	380	40	2	1/1
2	1910	379	40	2	1/1
3	418	360	40	2	1/1
4	418	360	40	2	1/1
5	1530	428	3	1	1/1



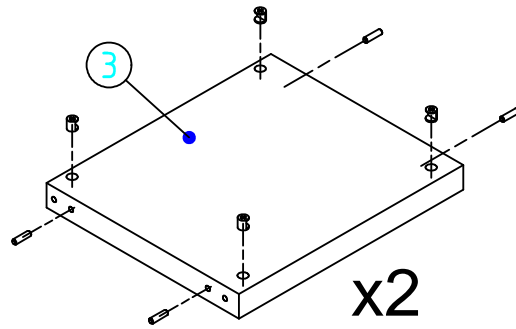
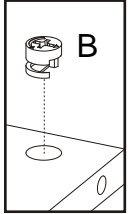
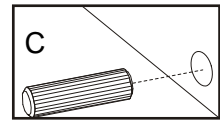
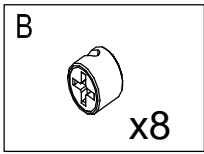
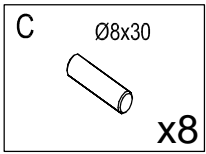
1



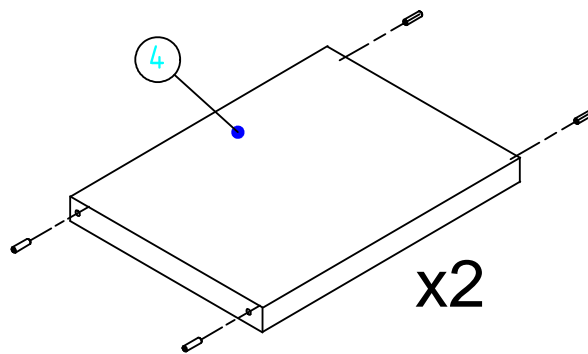
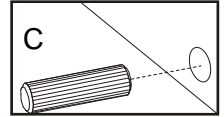
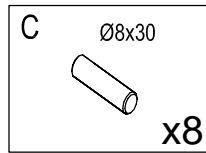
2



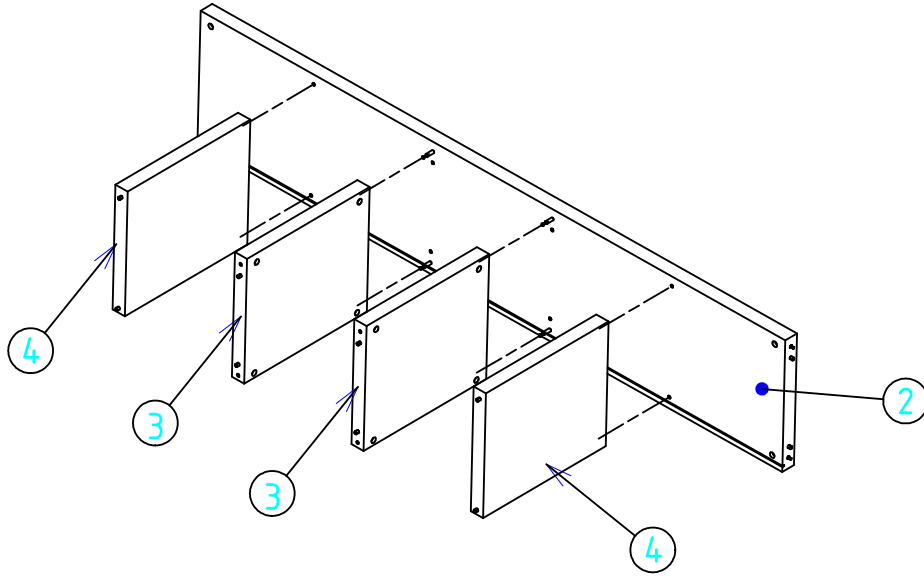
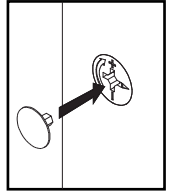
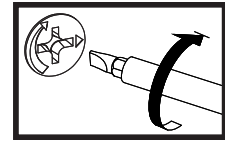
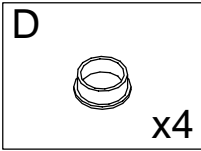
3



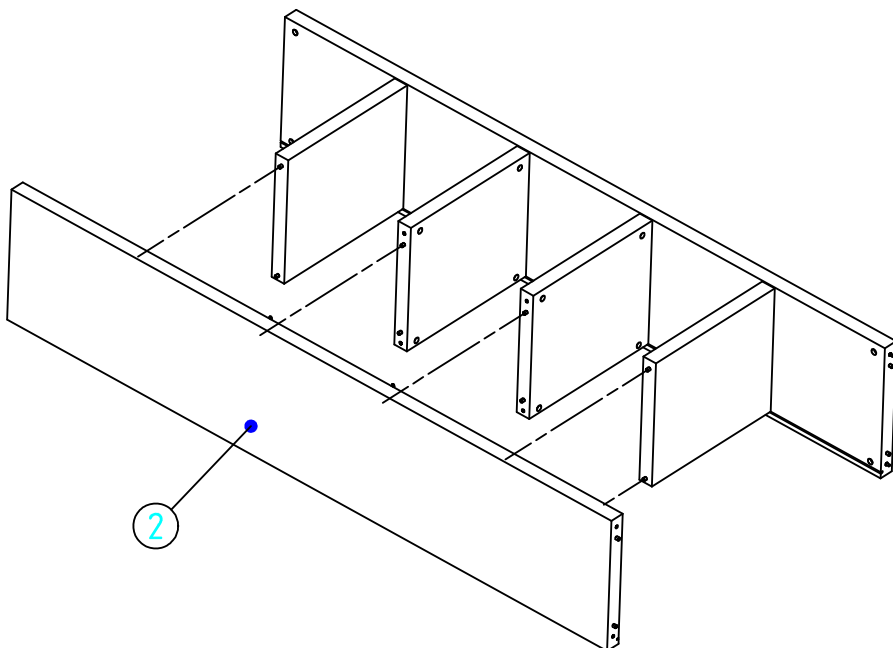
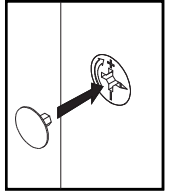
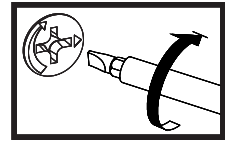
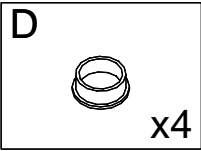
4



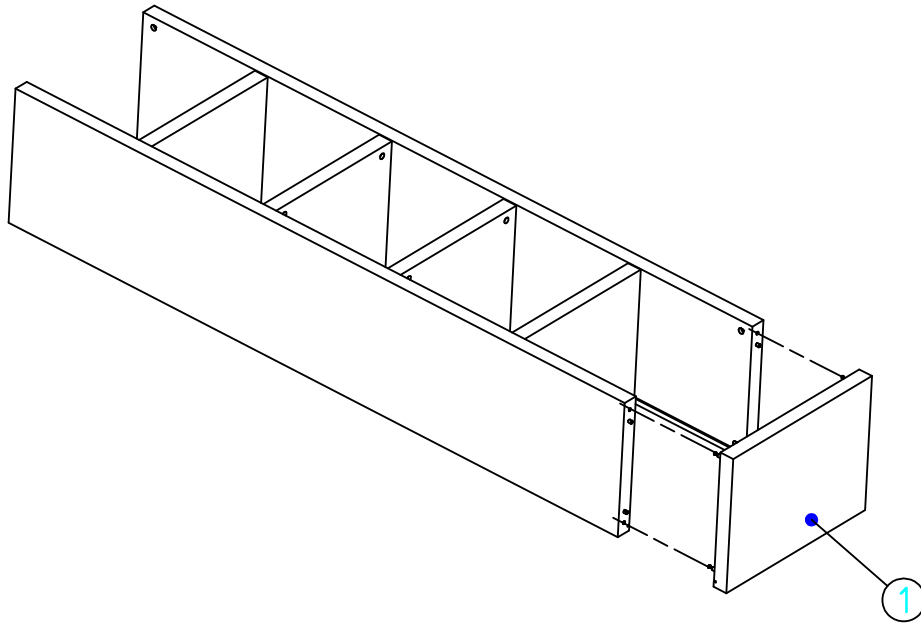
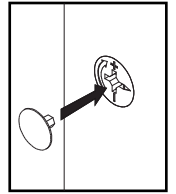
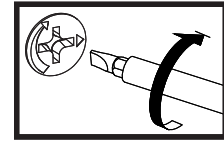
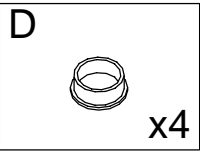
5



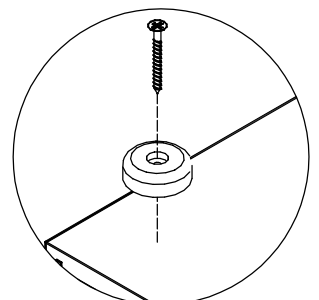
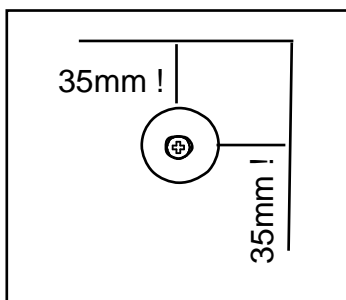
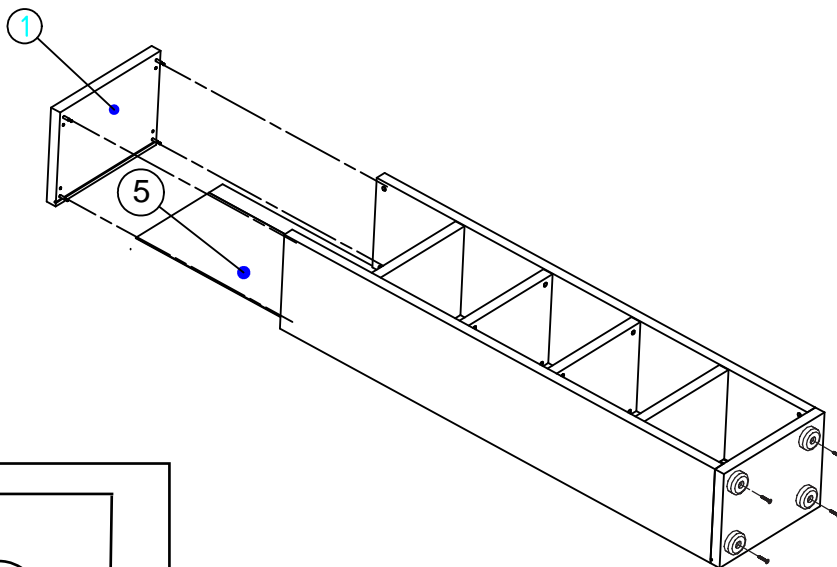
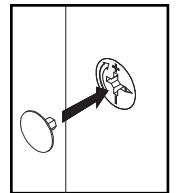
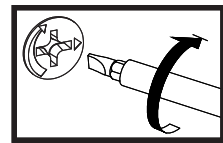
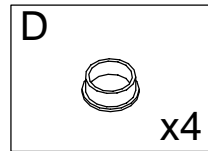
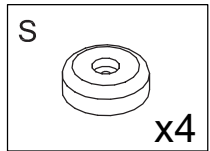
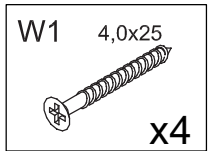
6



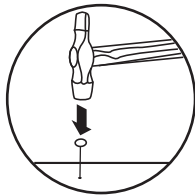
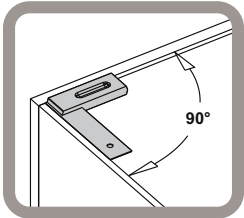
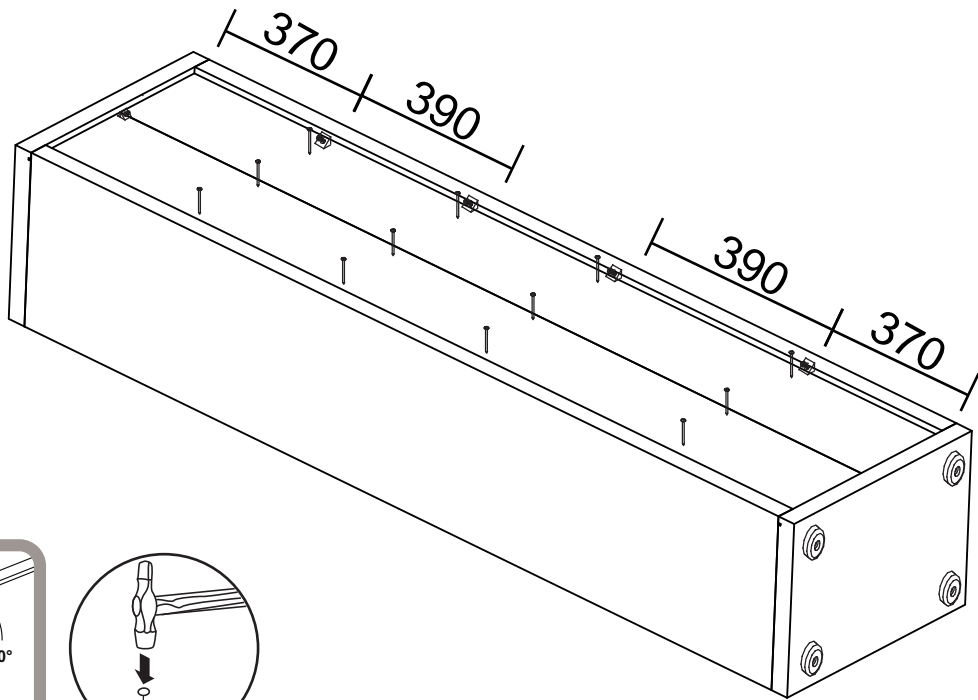
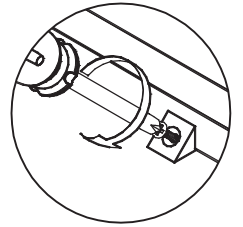
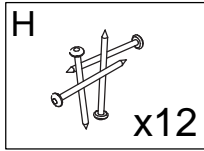
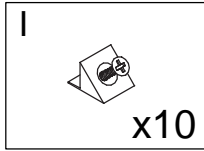
7



8



9



10

