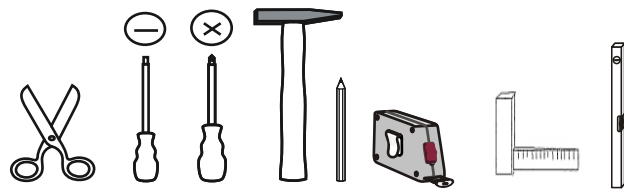
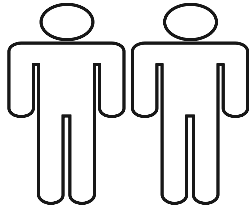
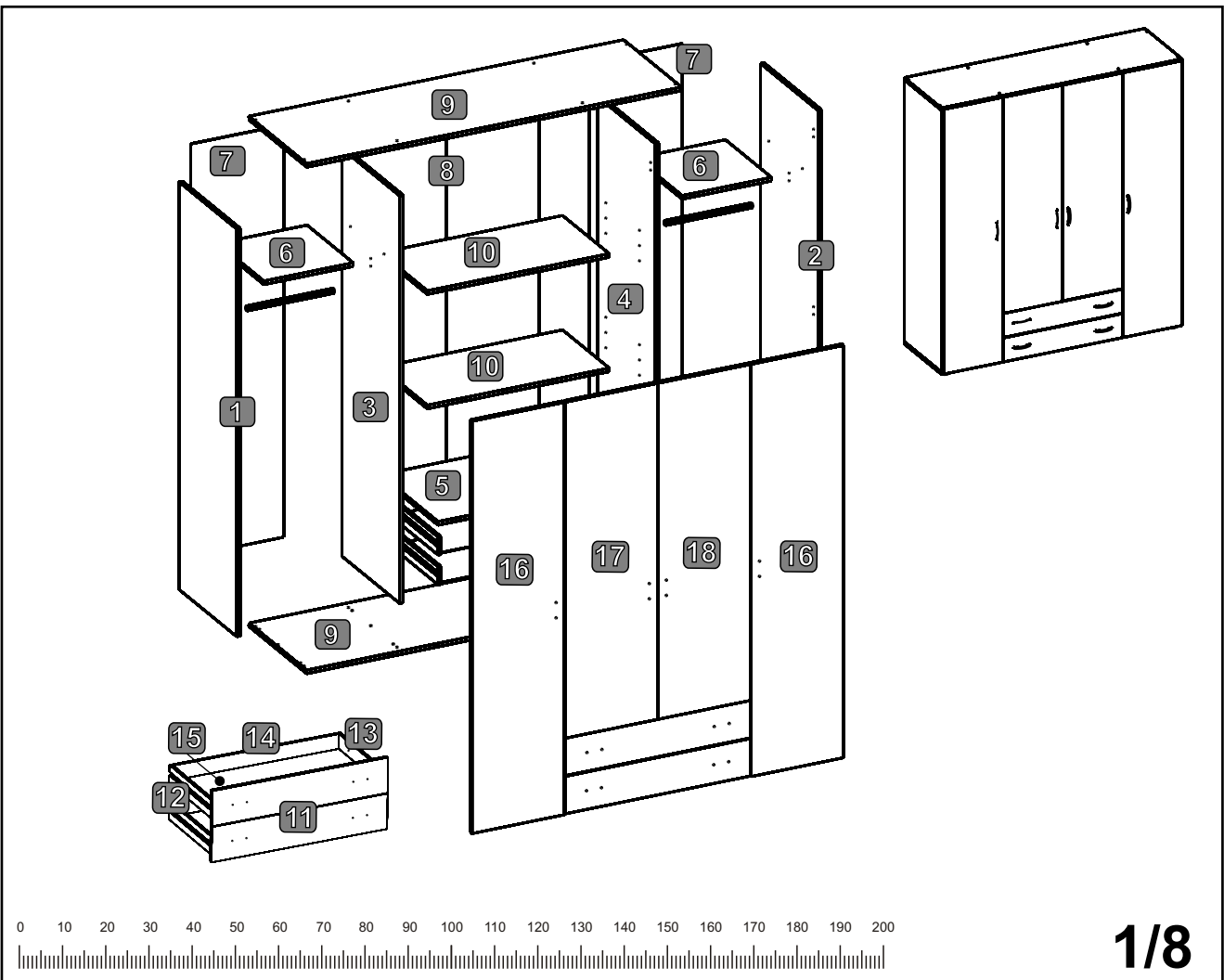


# Base 4

# 58-124...

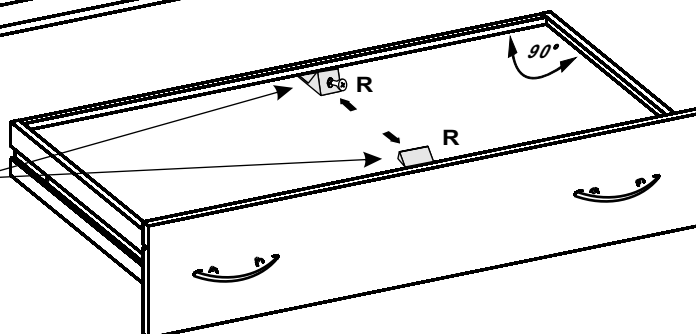
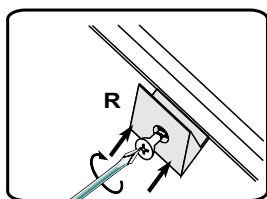
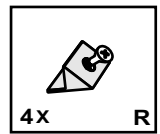
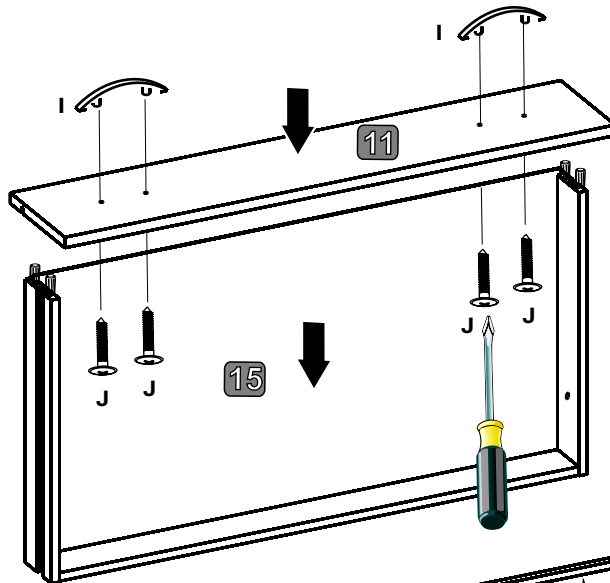
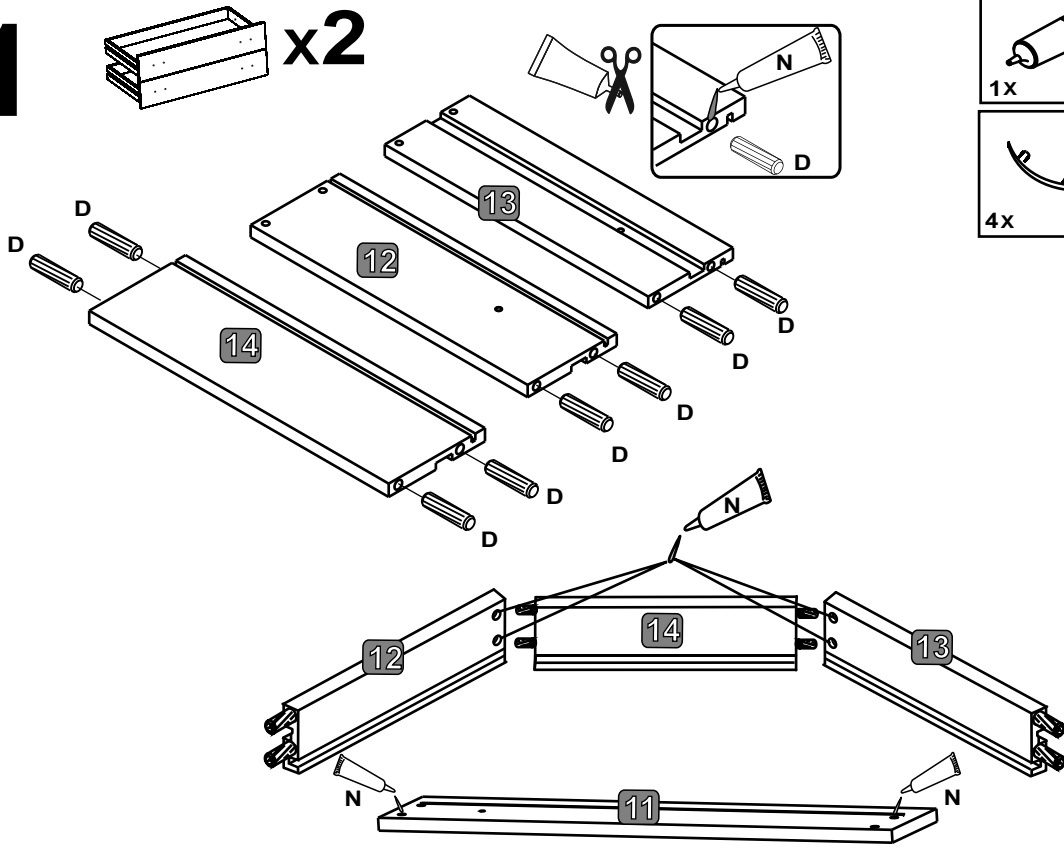


|              |           |            |            |            |            |
|--------------|-----------|------------|------------|------------|------------|
| <br>12X A    | <br>12X B | <br>7x50 C | <br>8x28 D | <br>10X E  | <br>10X F  |
| <br>3,5x15 G | <br>4X H  | <br>8X I   | <br>4x25 J | <br>6X K   | <br>3x13 L |
| <br>50X M    | <br>1X N  | <br>8X O   | <br>4X P   | <br>4X Z   |            |
| <br>4X R     | <br>1X S  | <br>2X T   | <br>2X W   | <br>4x25 Y |            |

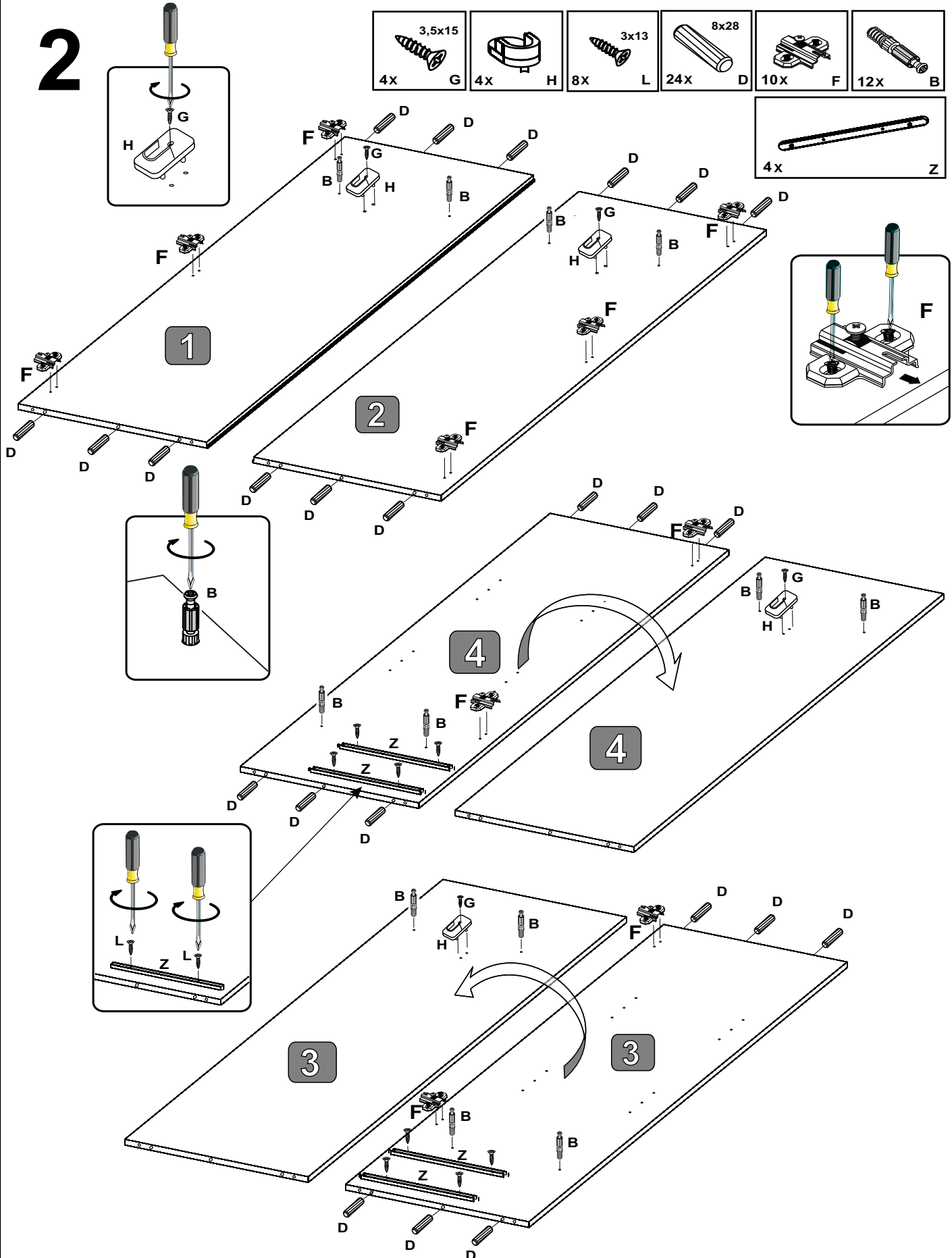


# 1

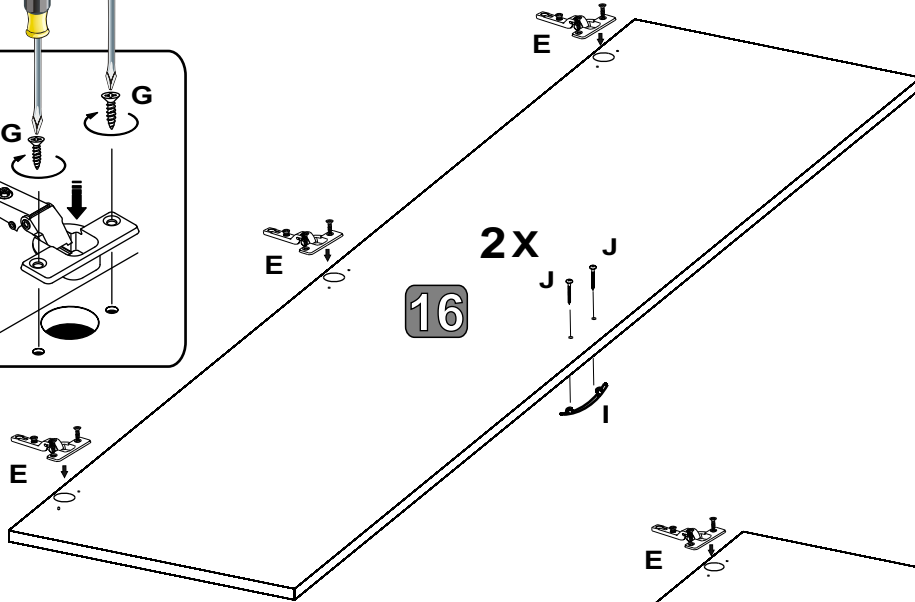
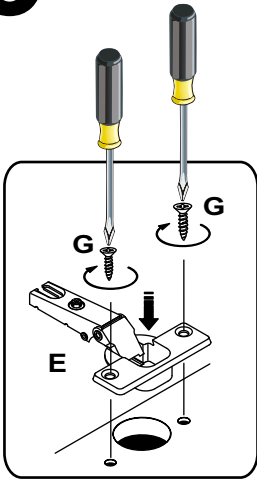
x2



## 2

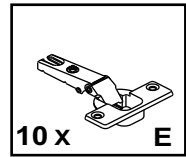


## 3

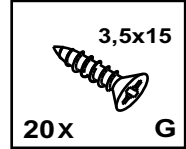


2X

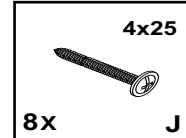
16



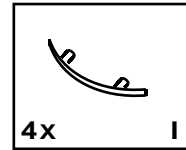
10 x E



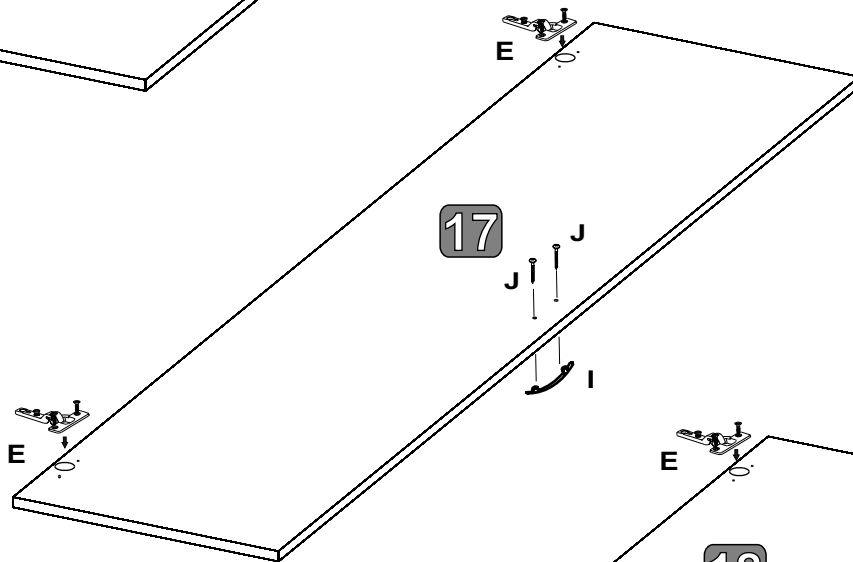
3,5x15  
20 x G



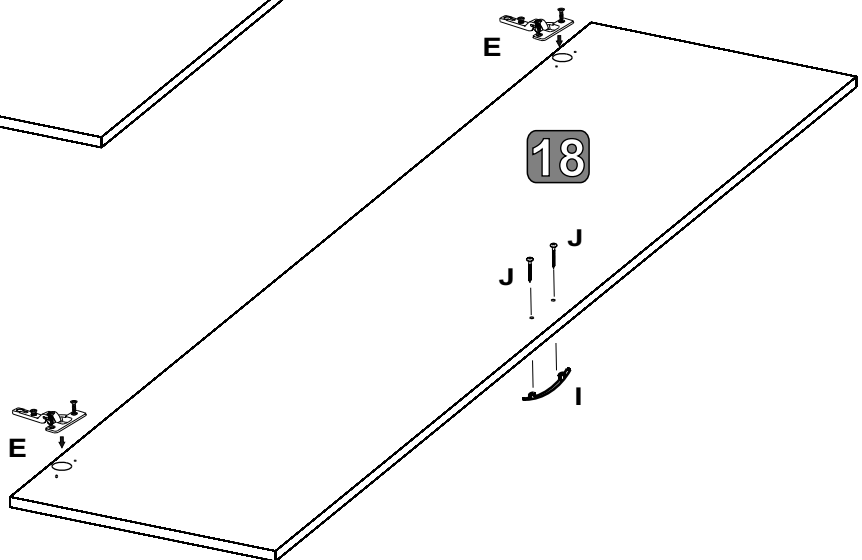
4x25  
8 x J



4 x I

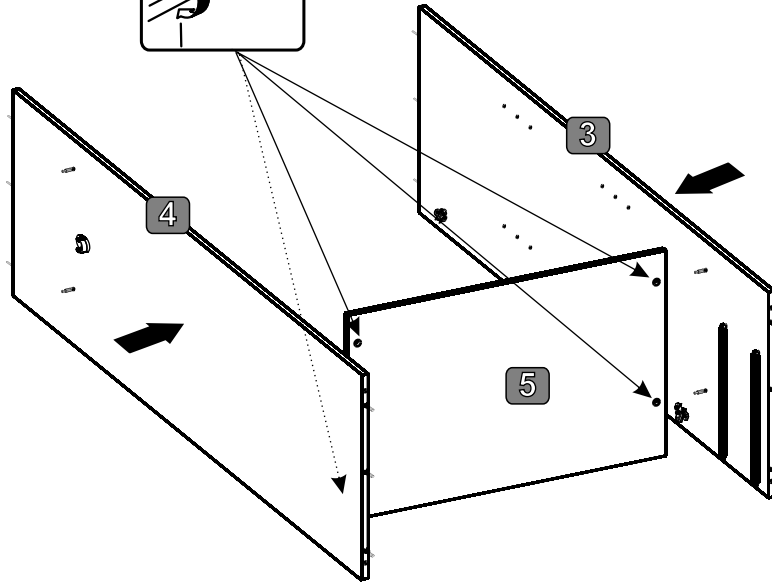
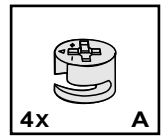
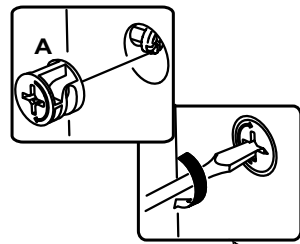


17

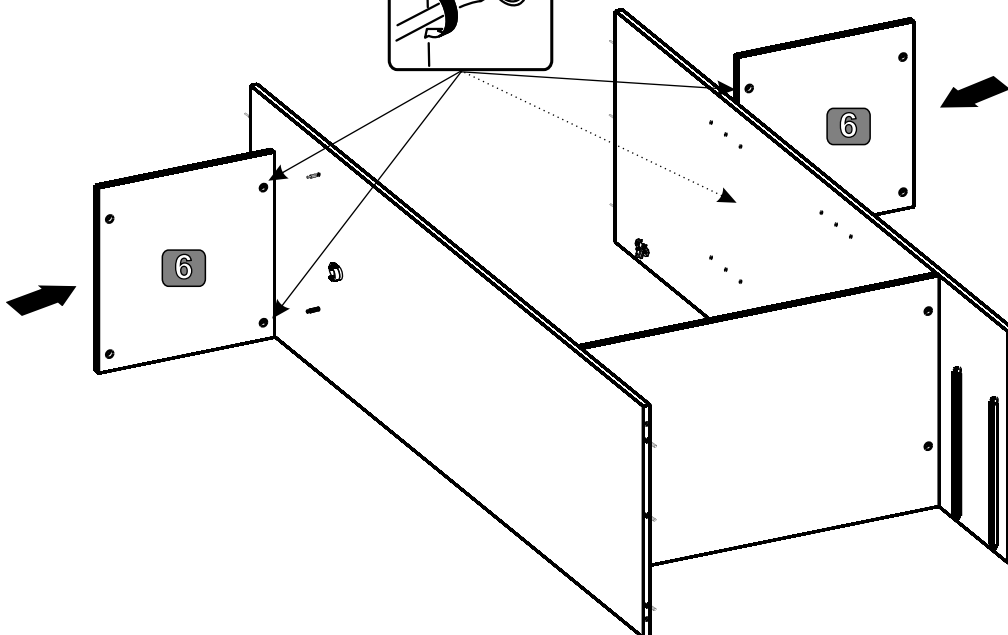
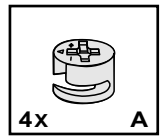
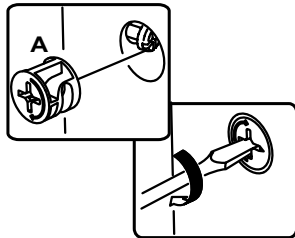


18

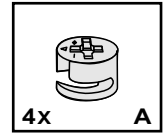
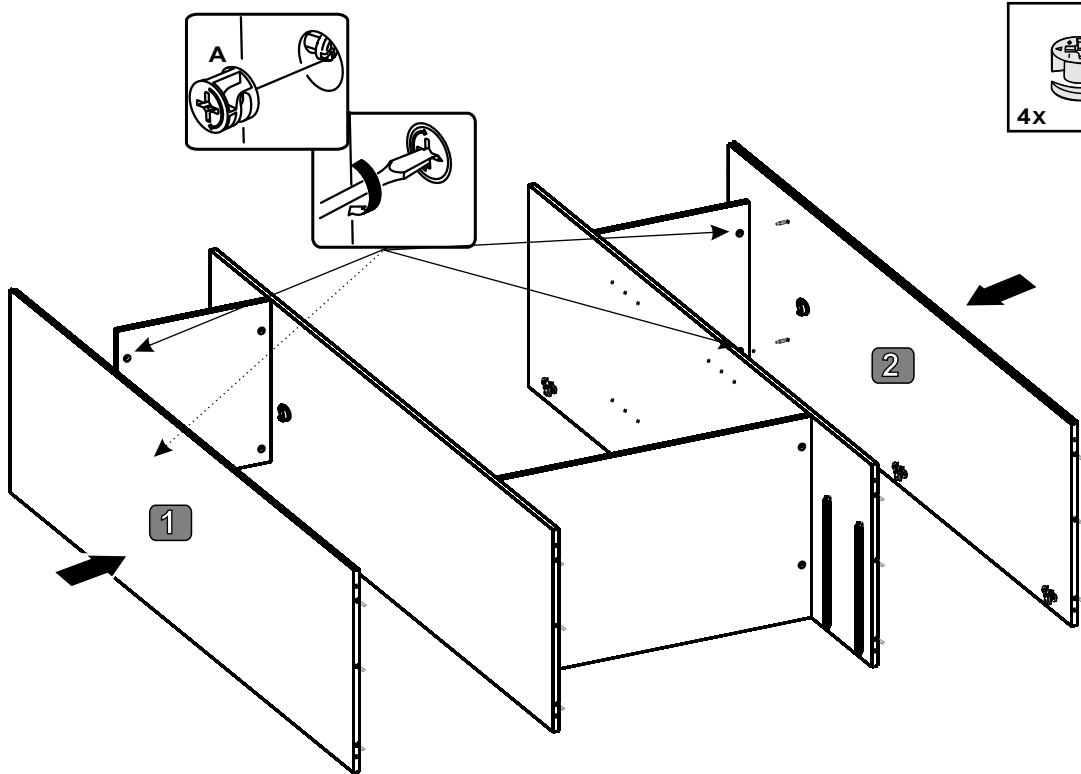
## 4



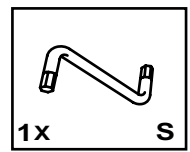
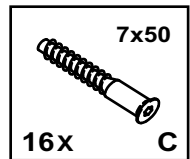
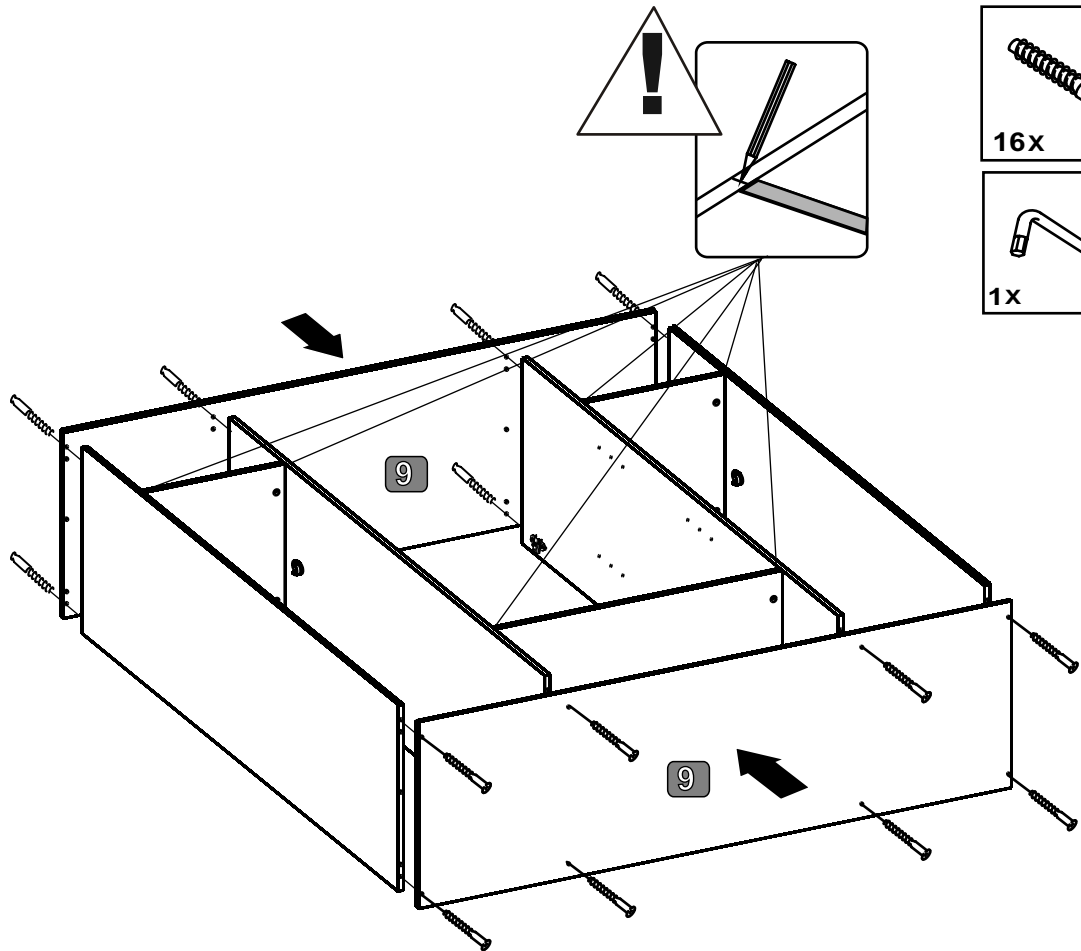
## 5



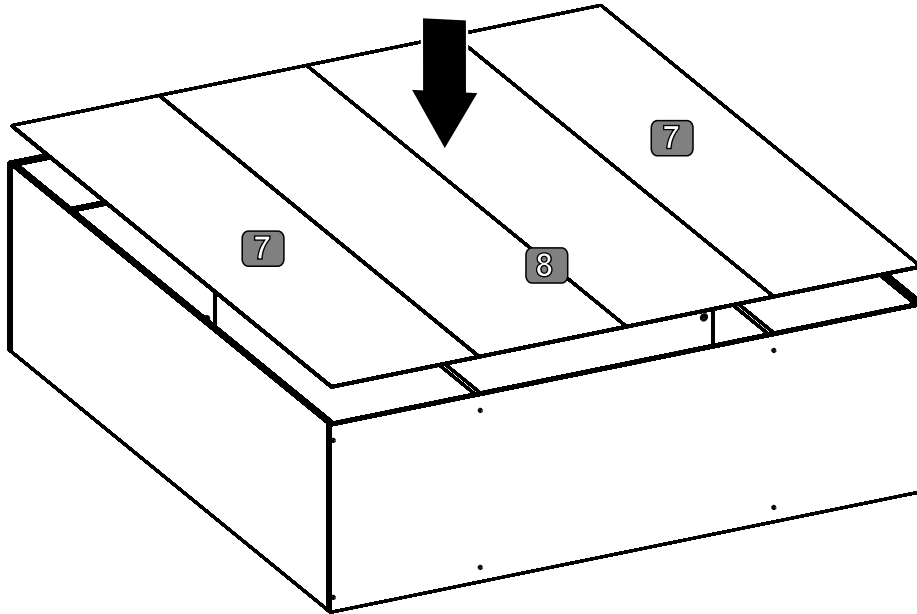
6



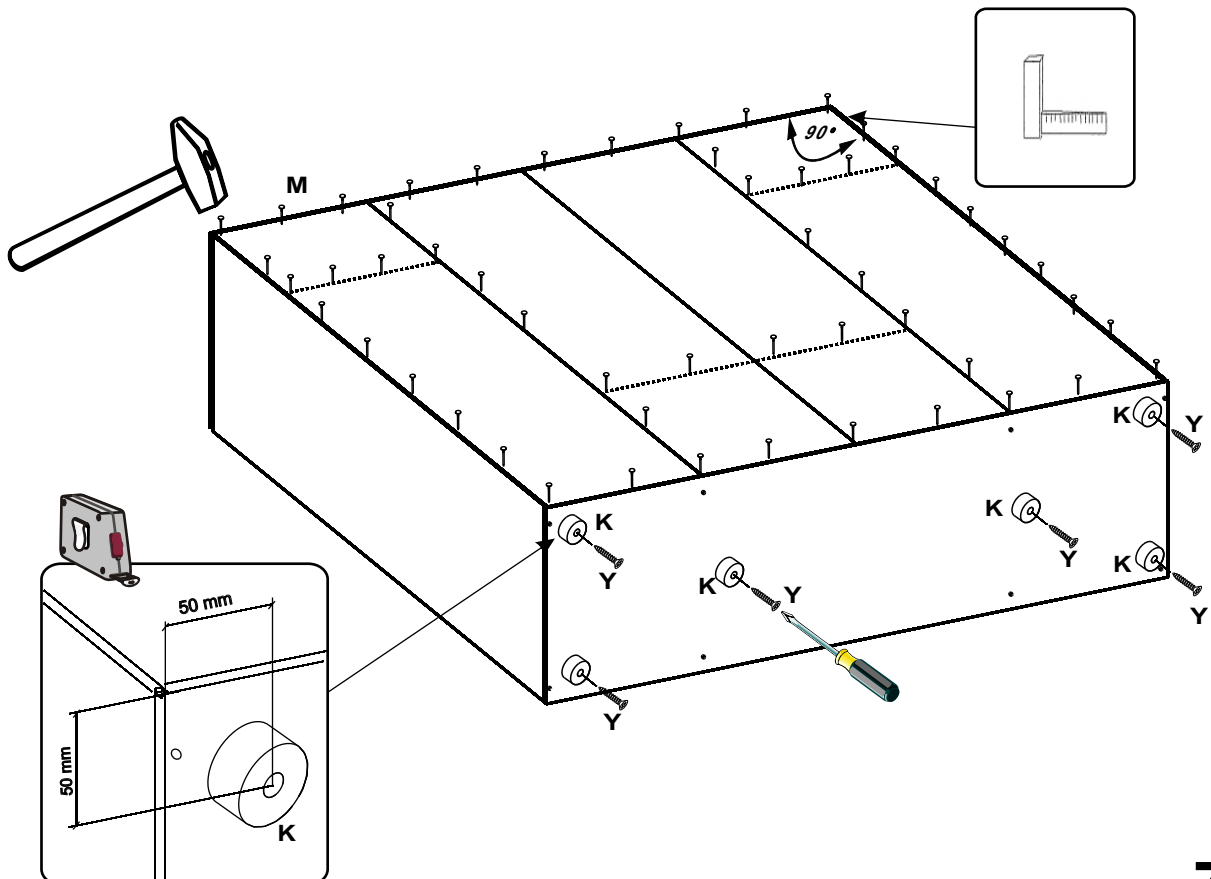
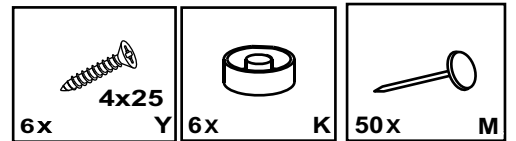
7



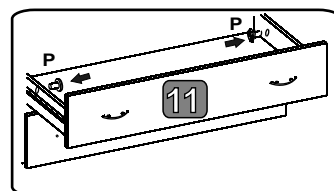
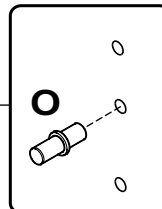
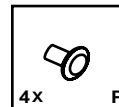
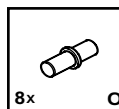
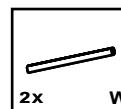
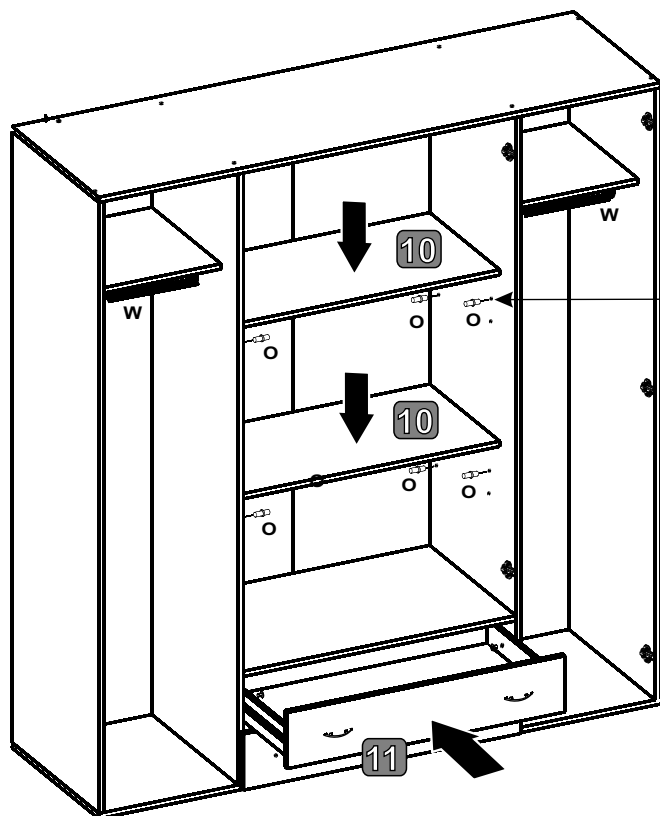
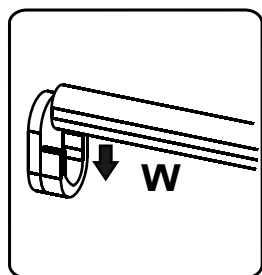
## 8



## 9



## 10



## 11

