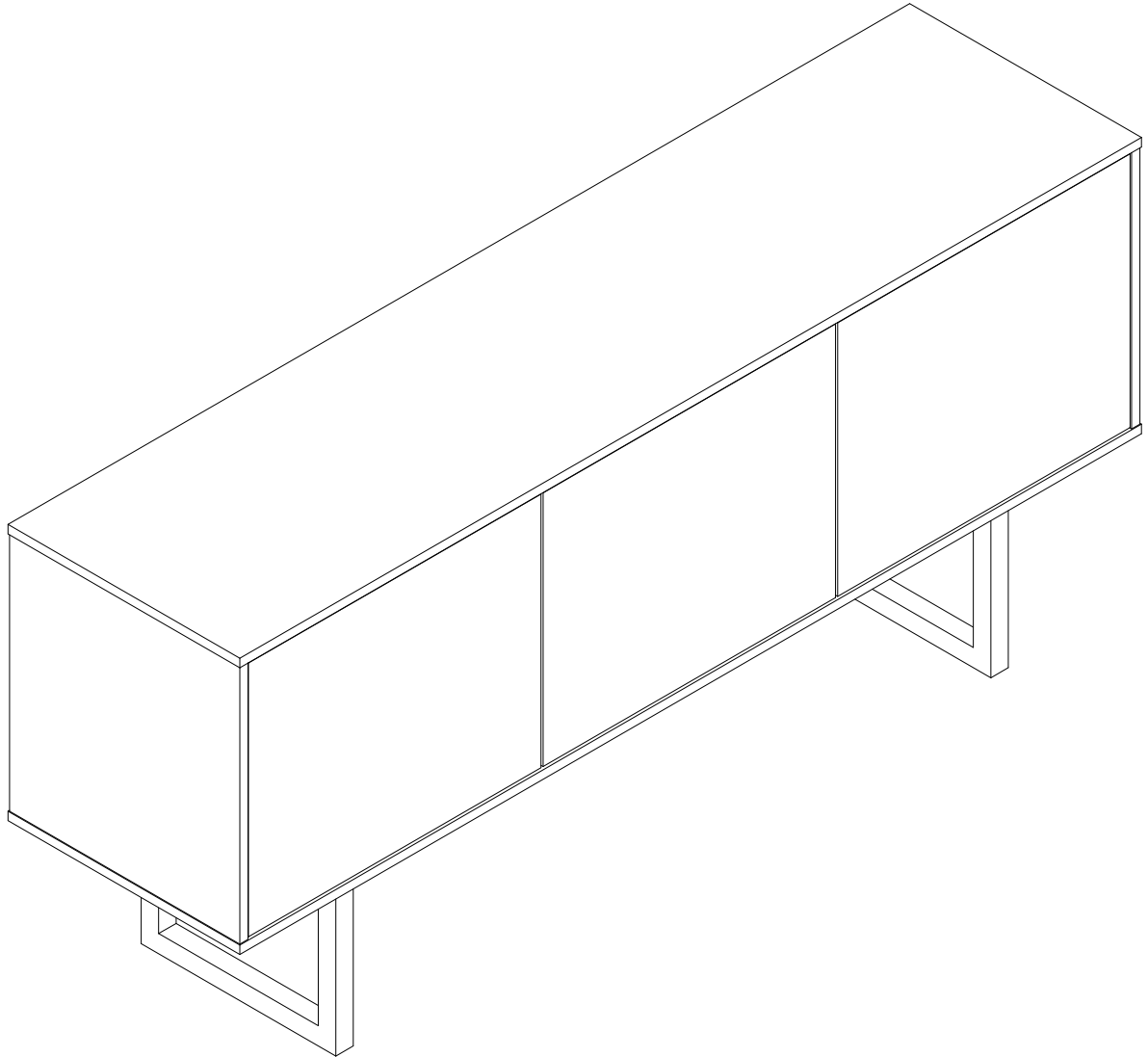
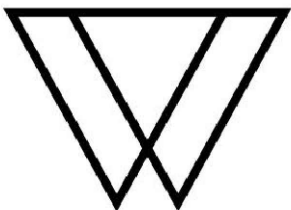


Assembly Instruction



1751 x 450 x 750 (W x D x H, mm)

Batch code:



WOODMAN[®]
DESIGN FURNITURE FACTORY

Woodman OÜ

Made in Estonia
Mäo, Järvamaa
www.woodman.ee
support@woodman.ee

Dear Customer !

Congatulations on your bew purchase. Follow this advice and get the best result when assembling the product.

Read the instruction carefully before you start

Get help, if two or more persons are required for assembly

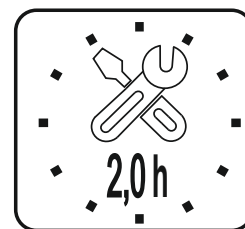
Make sure you have all parts on the total material list

Work on a soft, flat surface to avoid any damage to the finish

Follow the assembly instruction

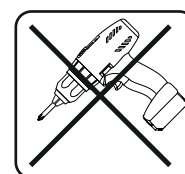
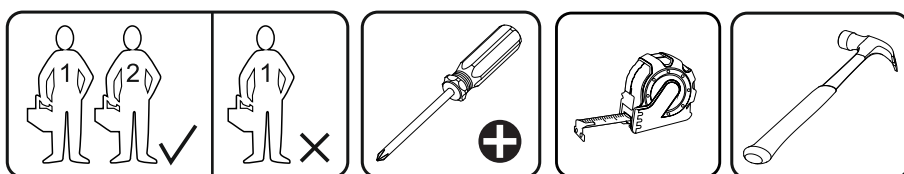
Tighten the furniture joints after a month

Keep the assembly instruction

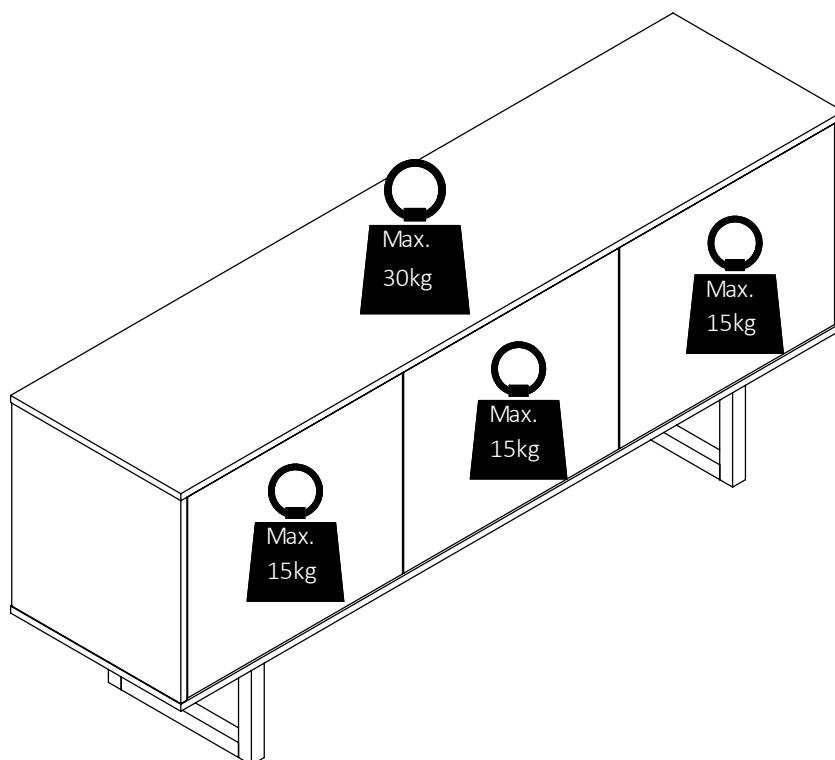


Tools needed

Do not use !!!



Maximum weight limit



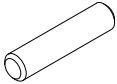
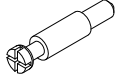


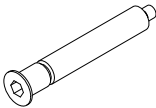
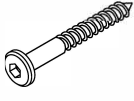
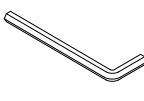

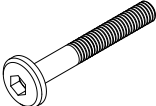
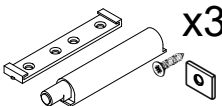
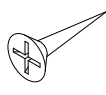
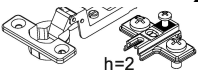
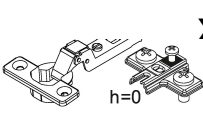
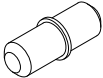
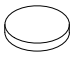
ENG - In case of any quality issues contact your local dealer and always mention item reference No.

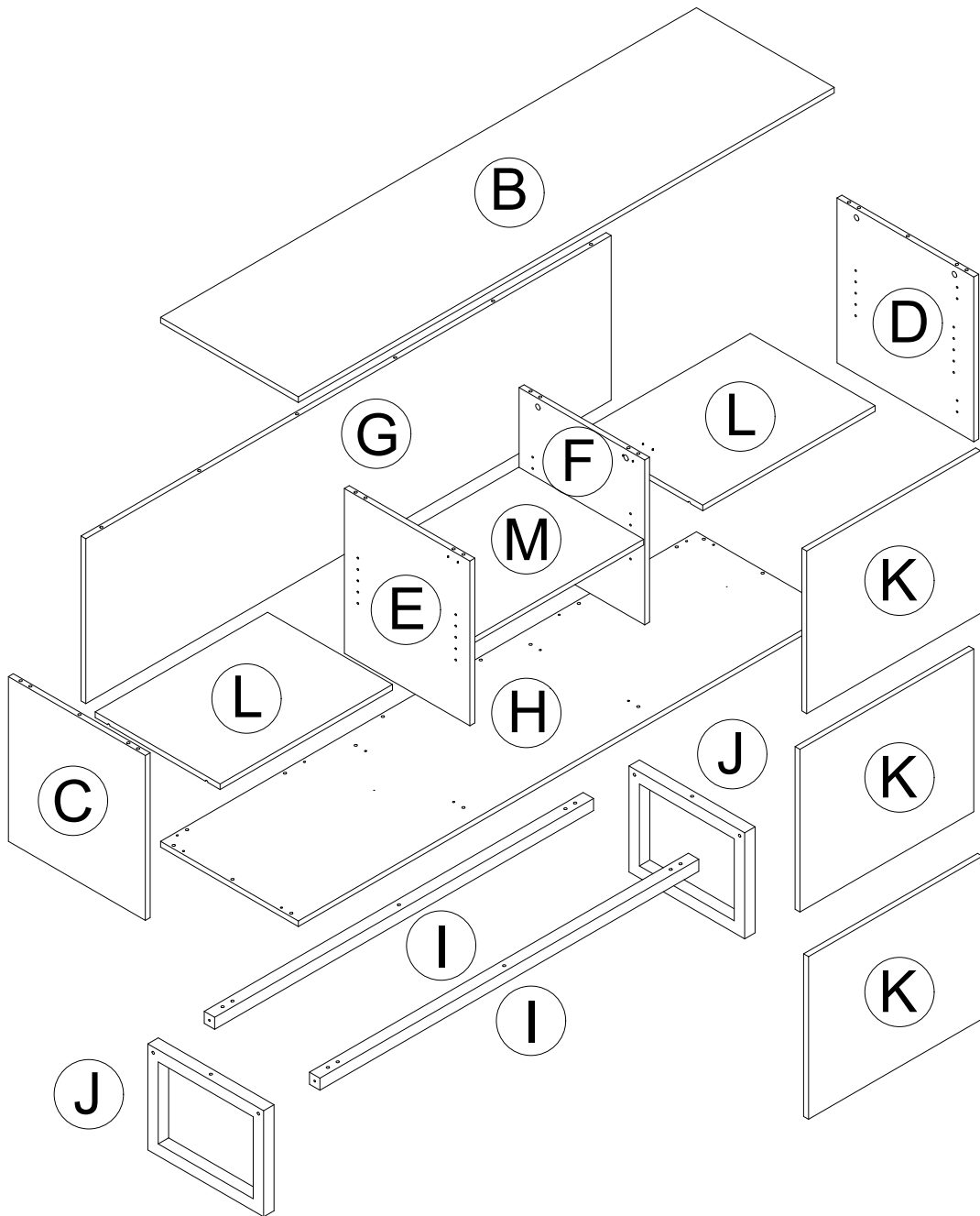
FR - En cas de problemes de qualite contactez votre revendeur local et mentionnez toujours la reference de l'article.

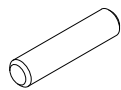
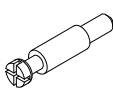
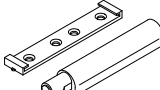
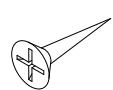
IT - In caso di eventuali problemi di qualitata contattare il rivenditore locale e citare sempre punto di riferimento No.

ES - En caso de problemas de calidad pongase en contacto con se distribuidor local y mencione siempre la referencia del articulo.

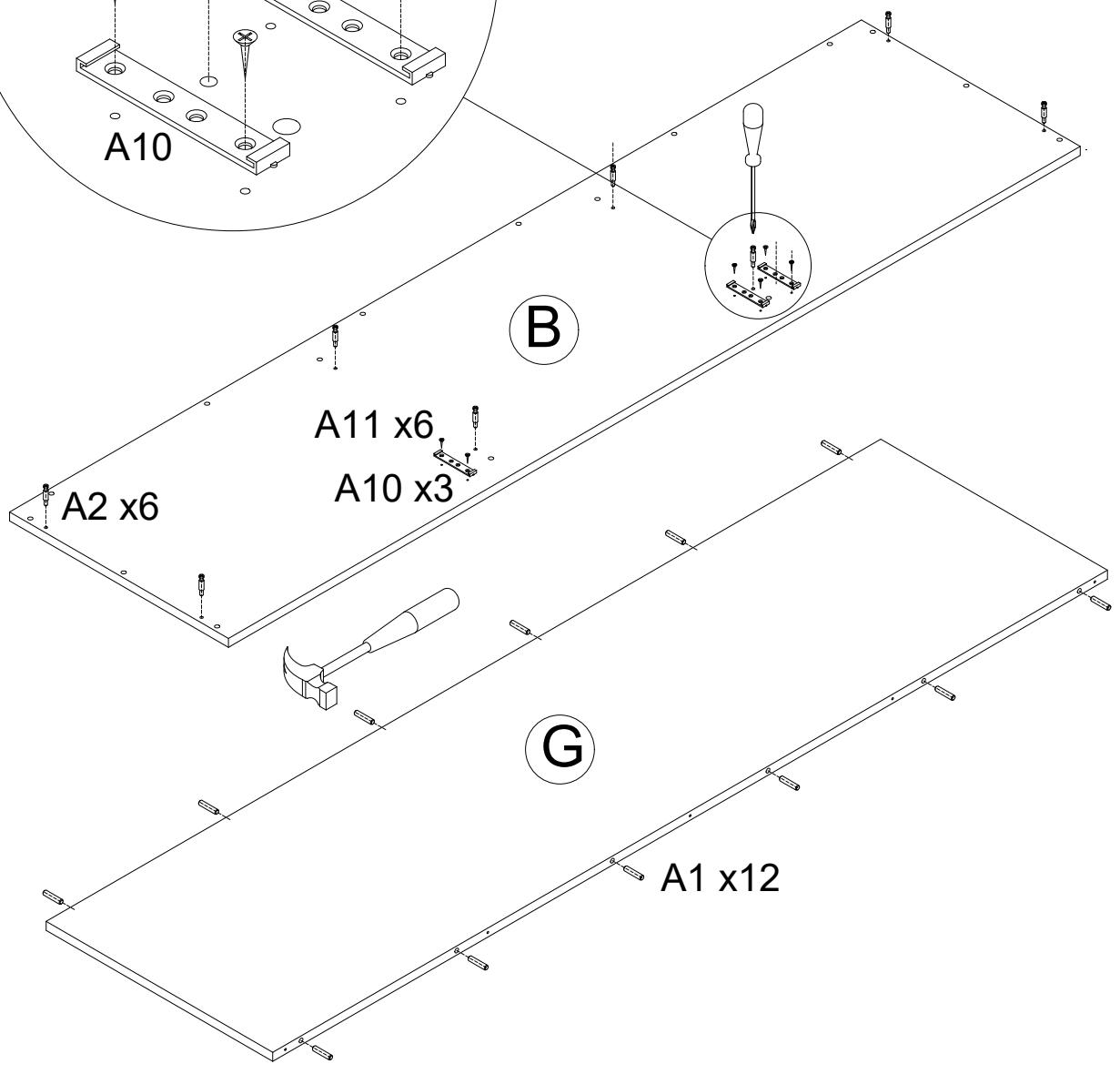
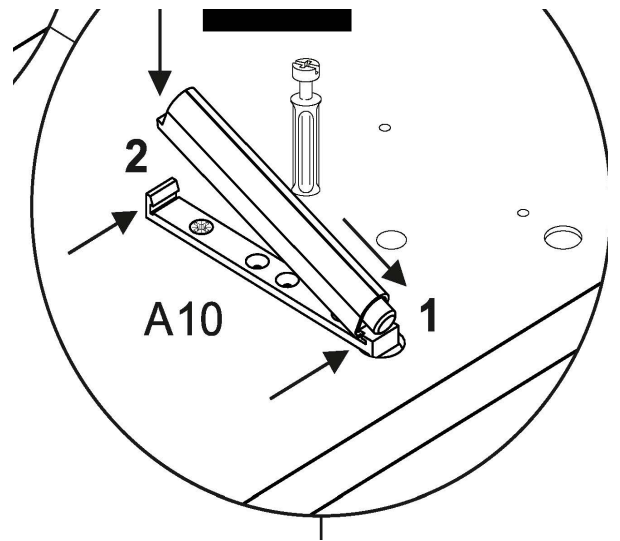
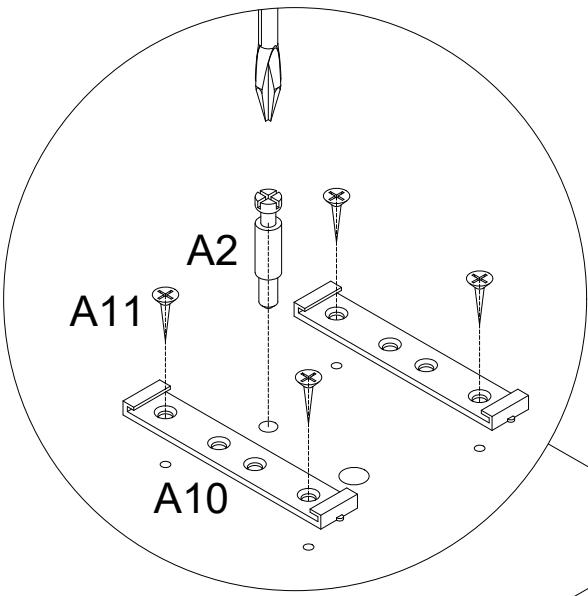
DE - Wenn Sie Qualitätsprobleme haben wenden Sie sich bitte an ihren örtlichen Händler und erwähnen Sie immer die Artikelnummer.

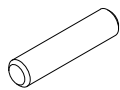
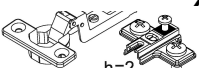
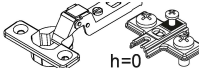
A1	 x36 Ø8x35	A2	 x8 Ø7x24	A3	 x8 Ø15x13	A4	 x8 Ø18
A5	 x13 Ø5x50	A6	 x4 Ø6,3x60	A7	 x1 4mm	A8	 x1 3mm
A9	 x8 M6x40	A10	 x3	A11	 x18 Ø3x15	A12	 x4 h=2
A13	 x2 h=0	A14	 x12	A15	 x4		



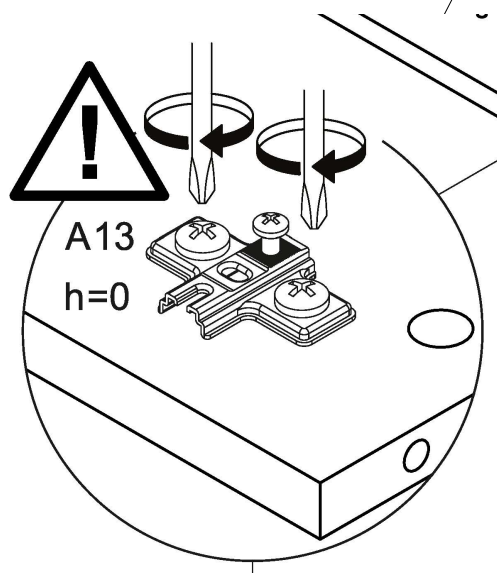
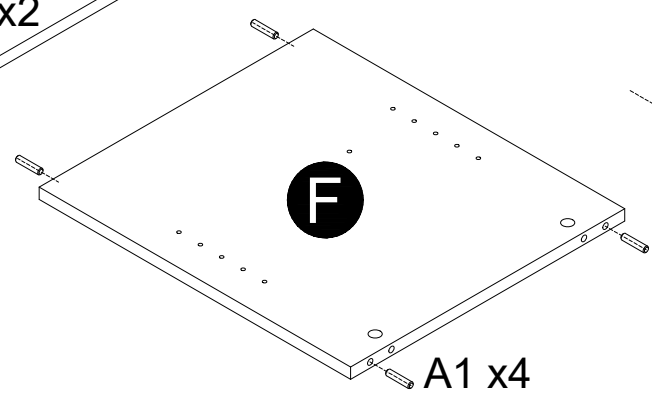
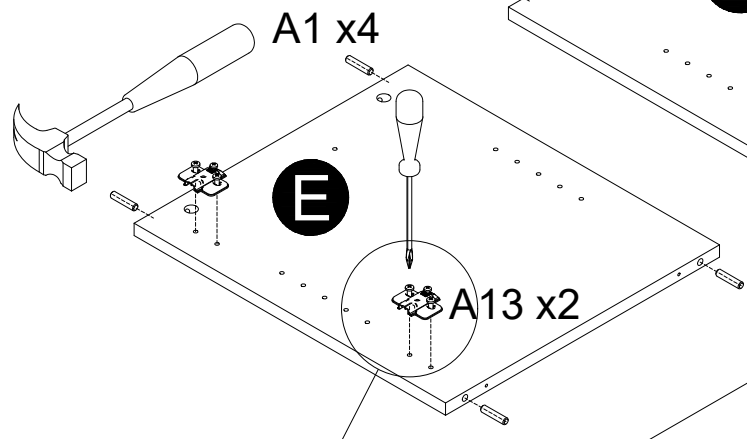
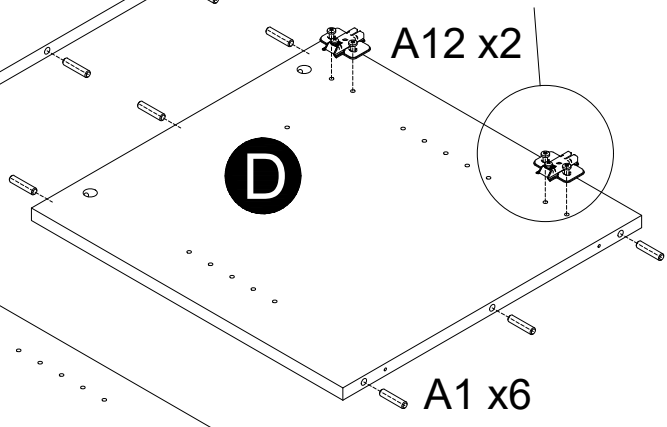
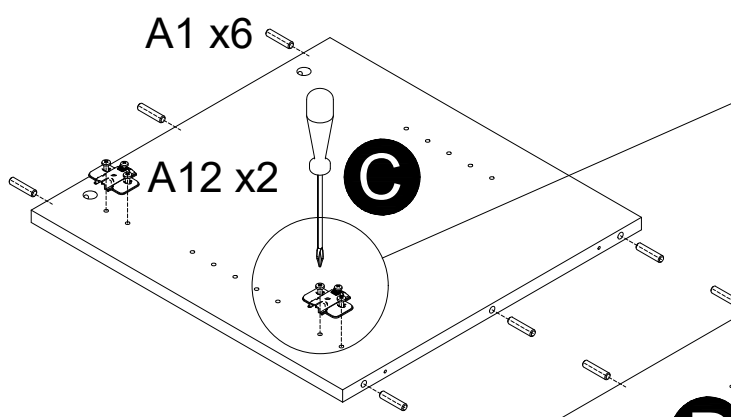
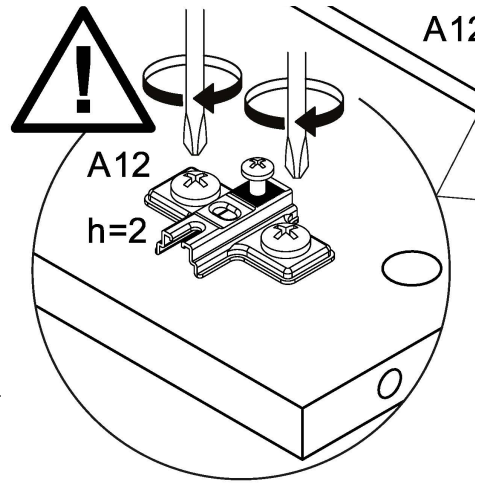
A1	 x12 Ø8x35	A2	 x8 Ø7x24	A10	 x3	A11	 x6 Ø3x15
----	---	----	--	-----	--	-----	--

1

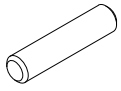


A1	 x20 Ø8x35	A12  x4 h=2	A13  x2 h=0	
----	---	---	--	--

2



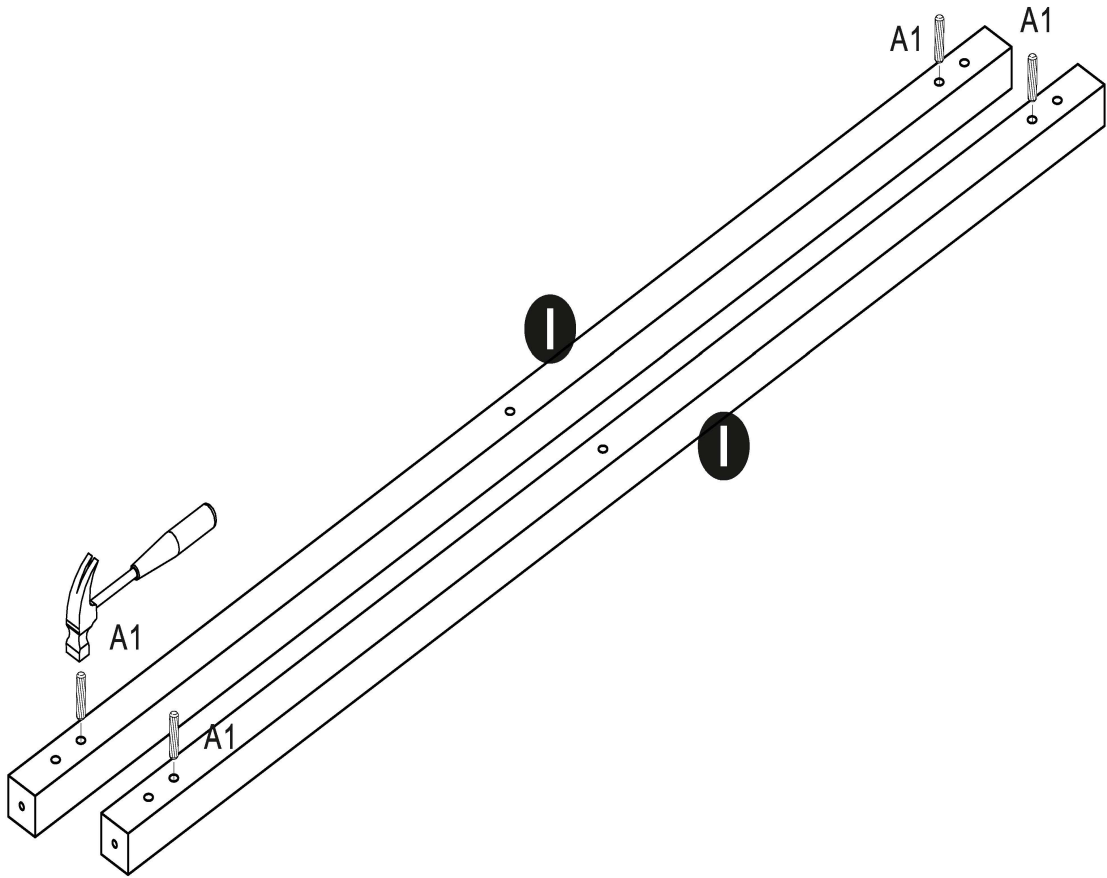
A1

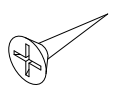
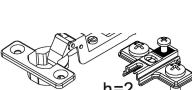
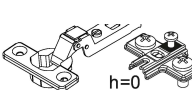


x4

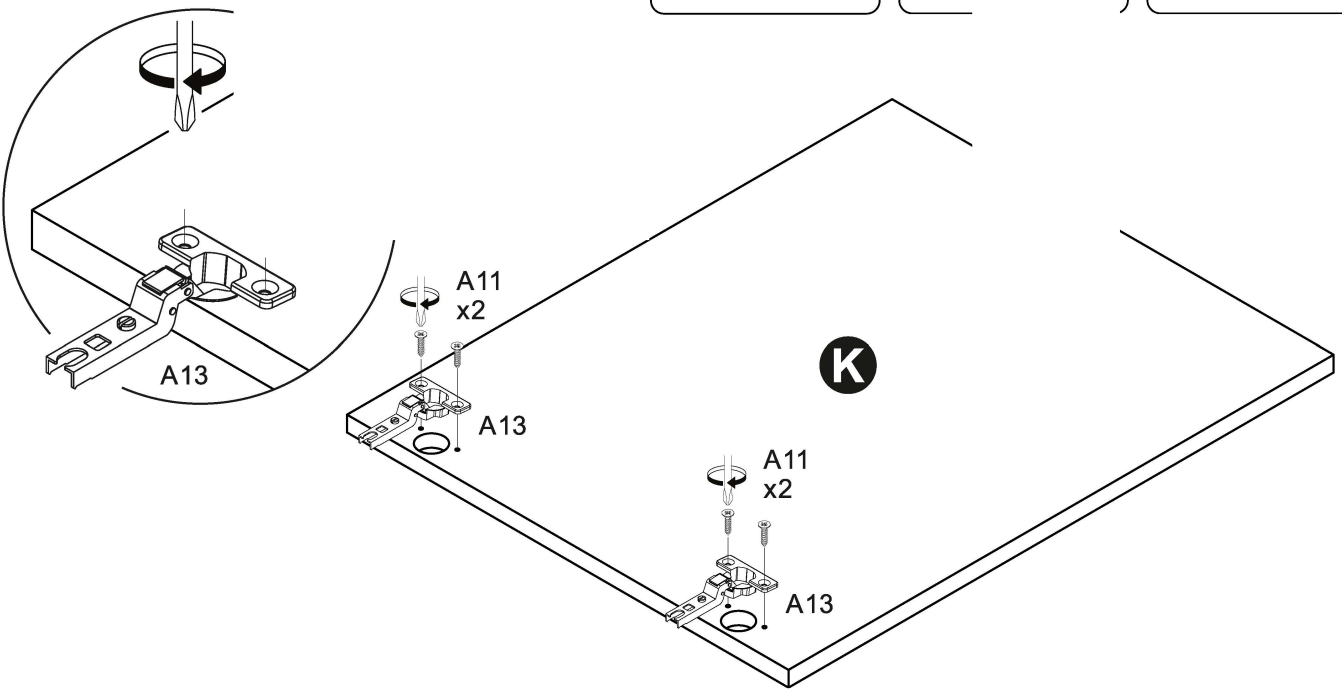
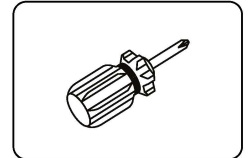
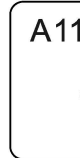
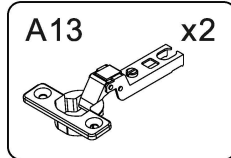
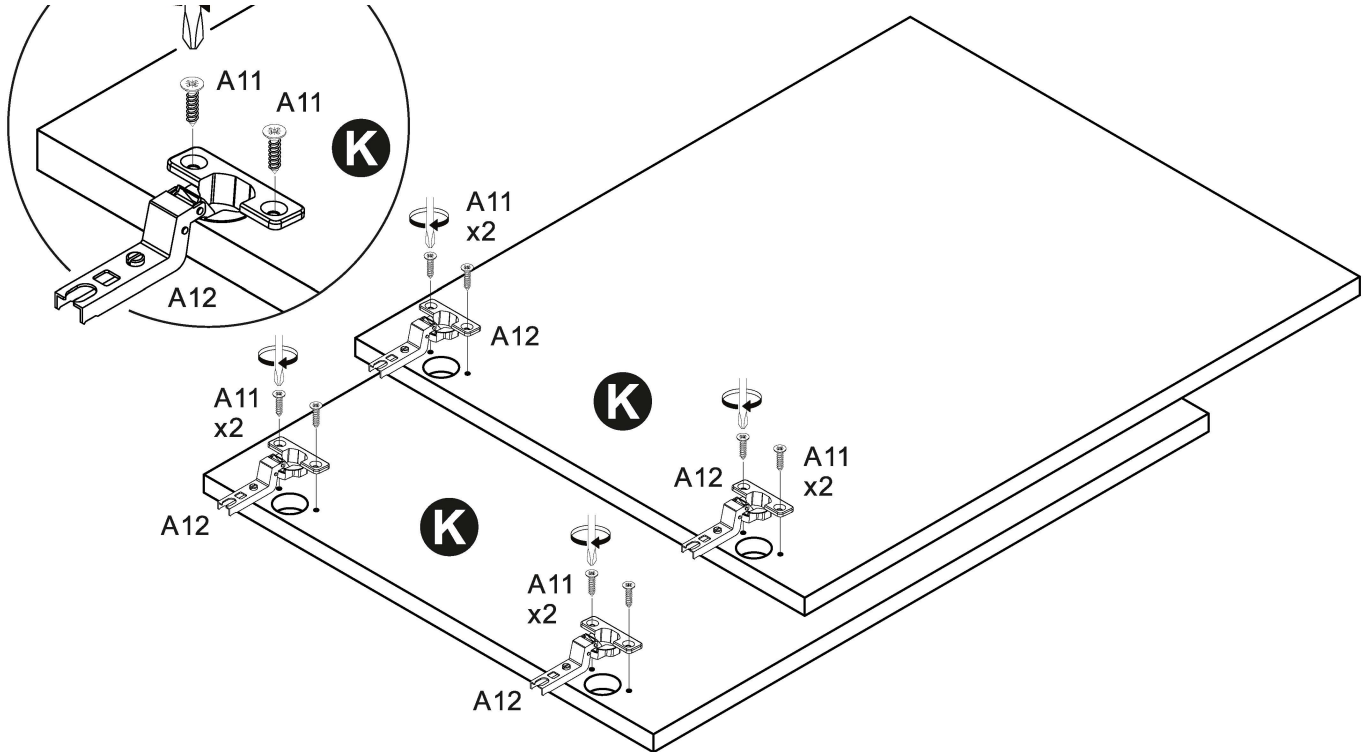
Ø8x35



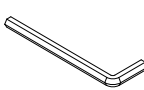
3



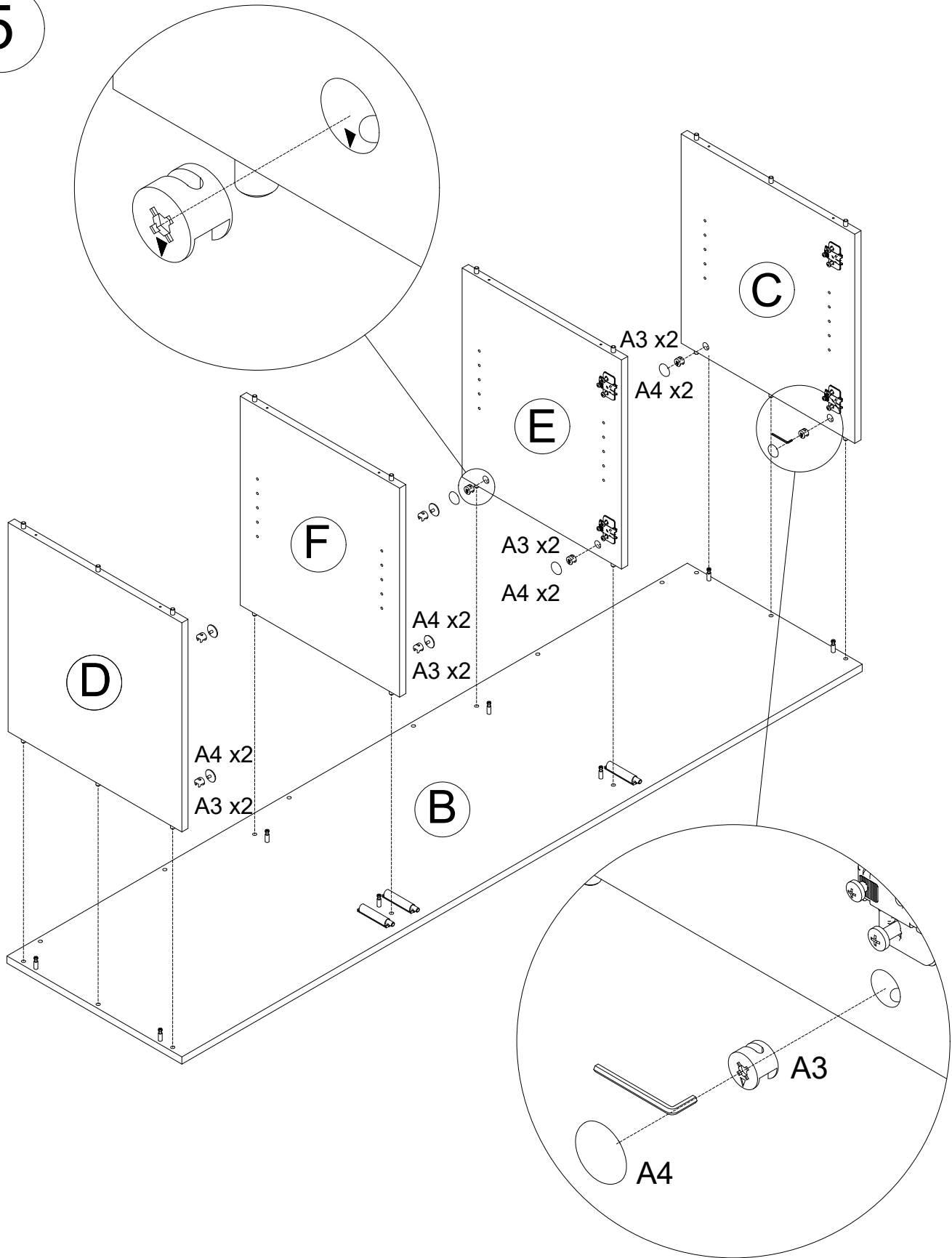
A11	 x12 Ø3x15	A12	 x4 h=2	A13	 x2 h=0		
-----	--	-----	---	-----	--	--	--

4

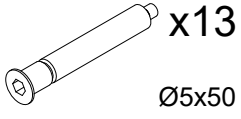


A3	 x8 Ø15x13	A4	 x8 Ø18	A8	 x1 3mm		
----	---	----	--	----	---	--	--

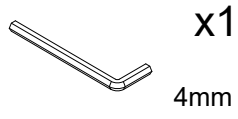
5



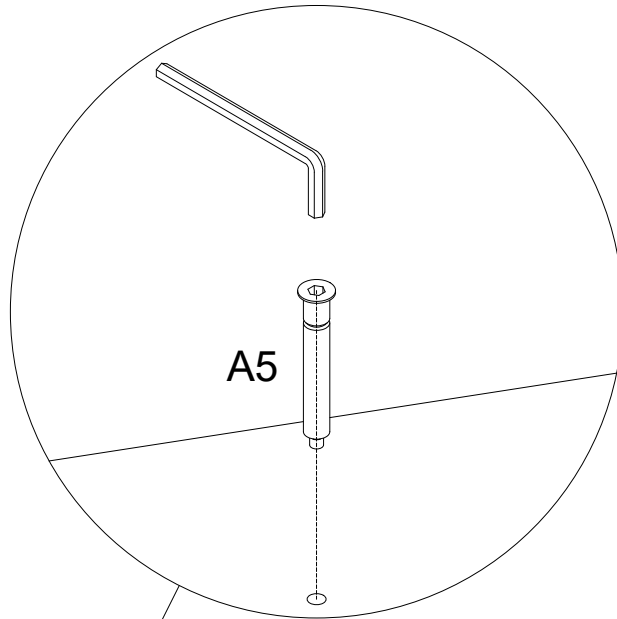
A5



A7

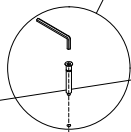


6



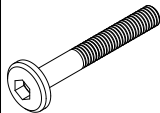
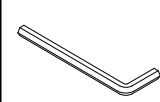
A5

A5 x13

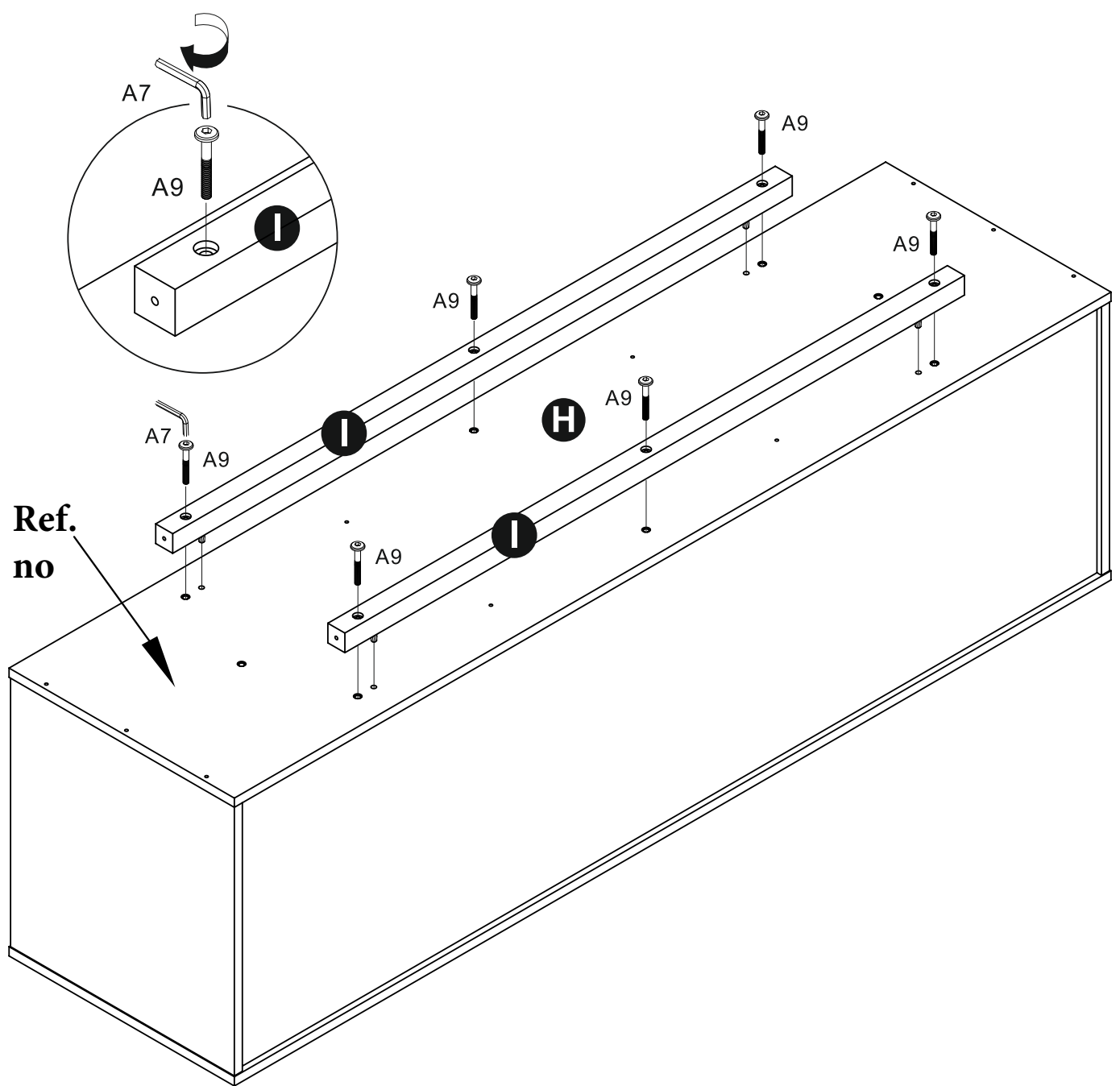


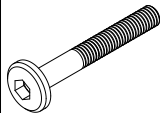
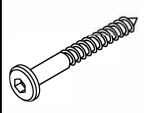
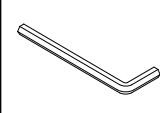
H

G

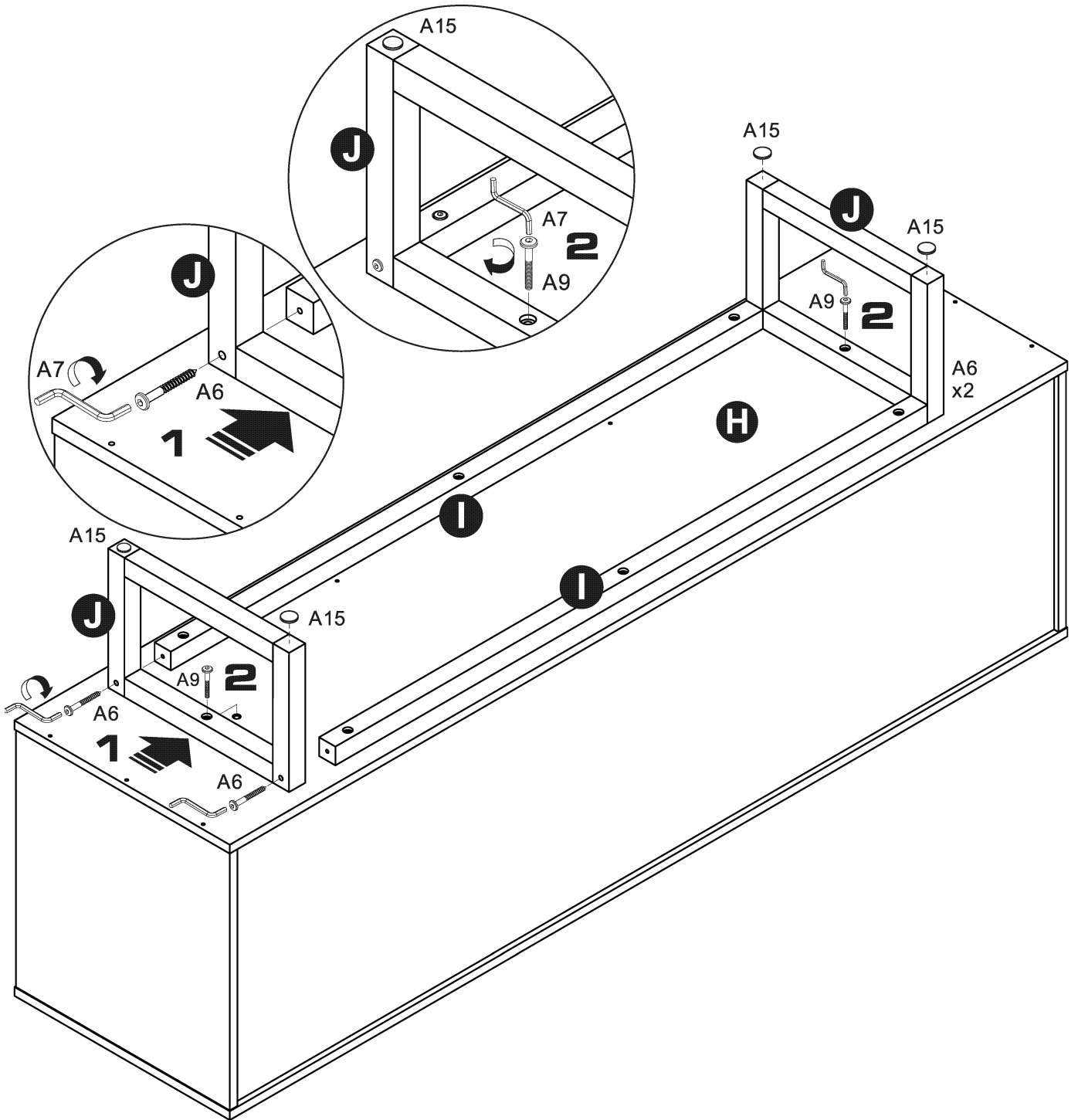
<p>A9</p>  <p>x6 M6x40</p>	<p>A7</p>  <p>x1 4mm</p>		
---	---	--	--

7

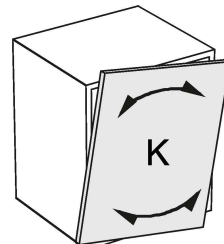
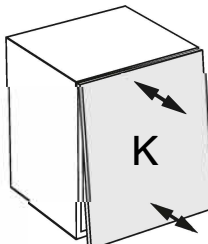
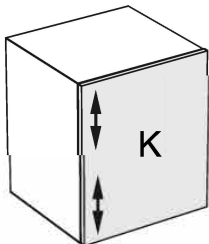
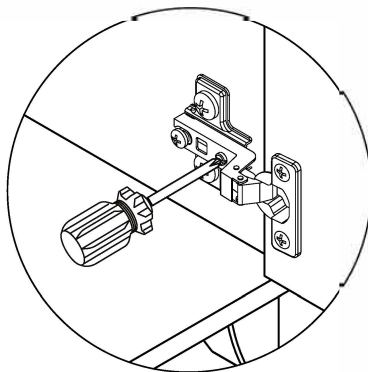
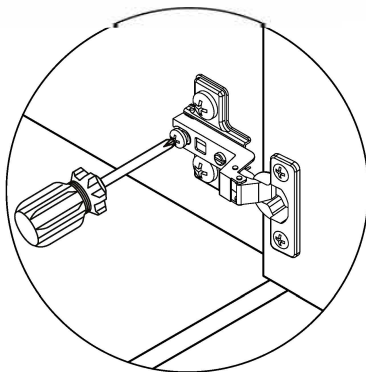
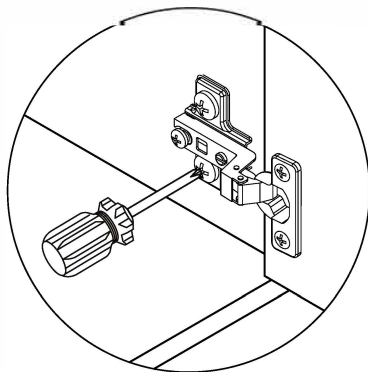
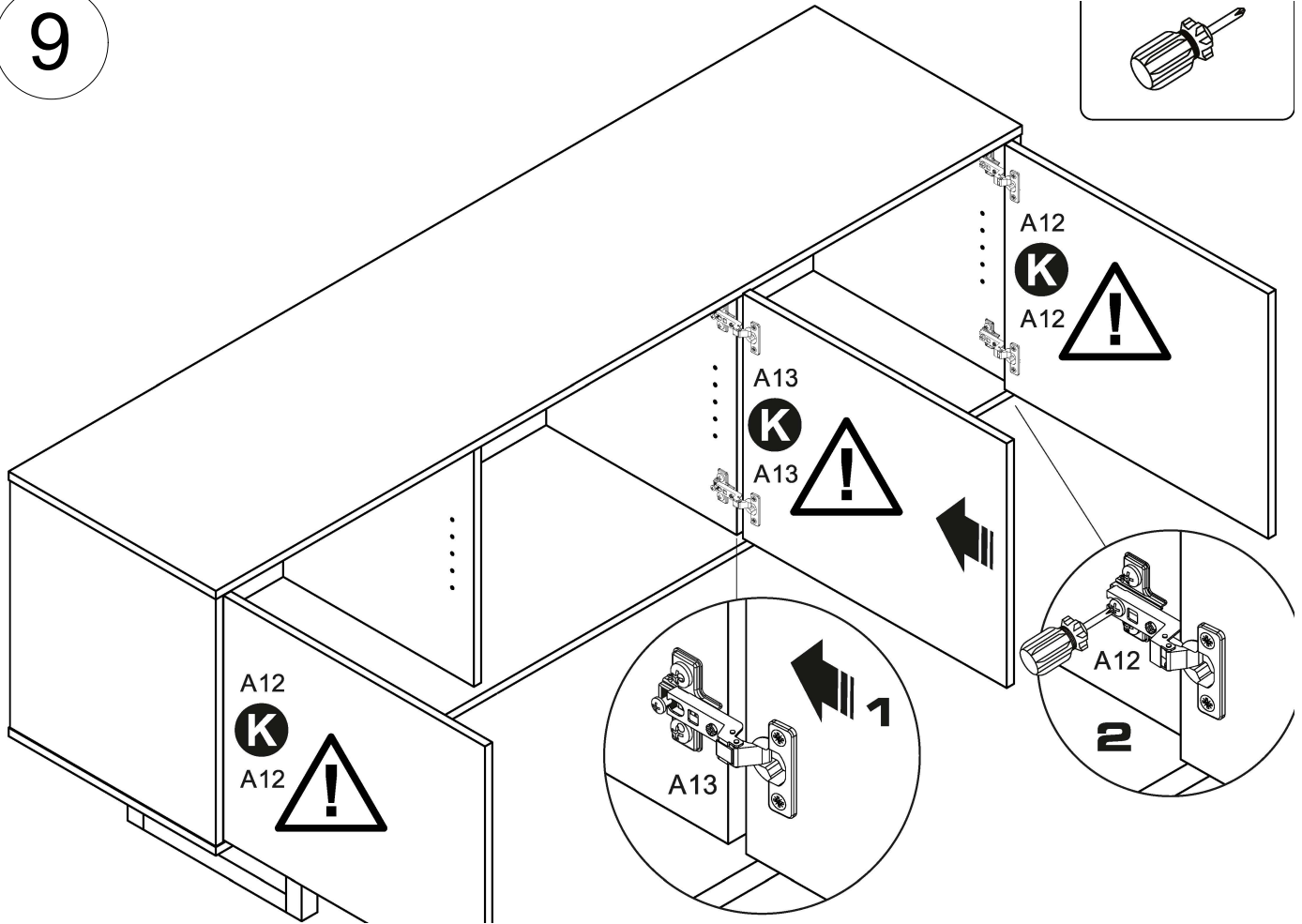
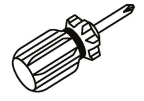



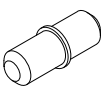
A9  x2 M6x40	A6  x4 Ø6,3x60	A7  x1 4mm	
--	--	---	--

8



9



A10		x3	A14		x12				
-----	---	----	-----	---	-----	--	--	--	--

10

