

BERN 2F.URC



D - Montageanleitung GB - Assembly instructions NL - Randleiding voor de montage PL - Instrukcja montażu TR - Montaj talimatı
 RO - Instrucțiuni de montaj IT - Istruzioni di montaggio FR - Notice de montage SK - Navod na monta CZ - Montážní návod
 HU - Szerelési útmutató RU - Инструкция по монтажу

	H 120 kolor czarny N8 x 6	5x60 W3 x 6	150x150x120 kolor czarny N7 x 6	5x30 UP x 24	K1 x 1	x 3 P1
--	---------------------------------	----------------	---------------------------------------	-----------------	--------	-----------

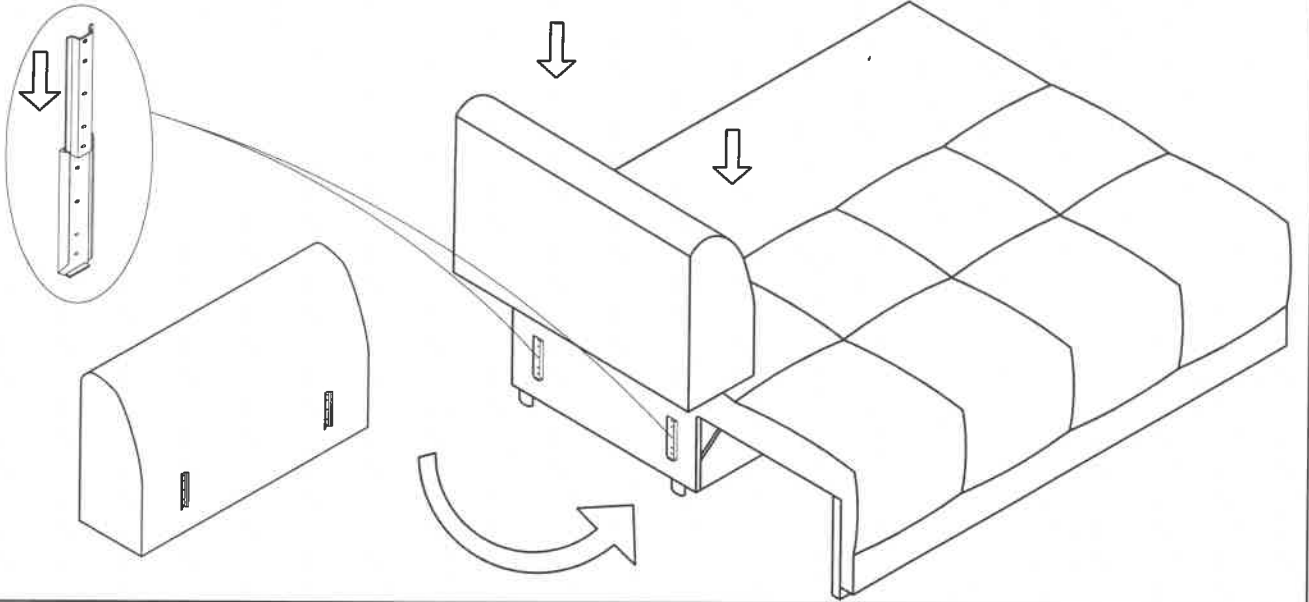
1

Diagram 1 illustrates the assembly of the bed frame. It shows two side rails being attached to a central base. Callouts indicate the use of N7, N8, W3, and UP screws. Three panels (P1, P2, P3) are shown being attached to the side rails.

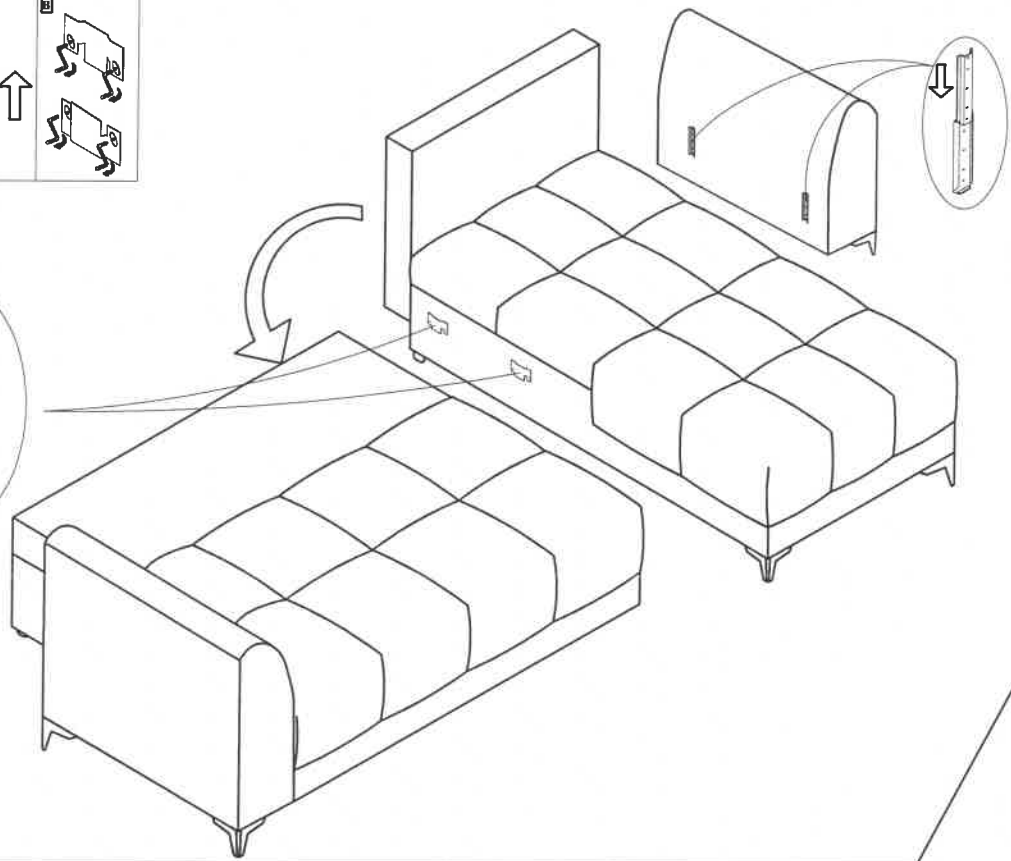
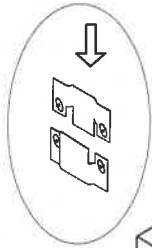
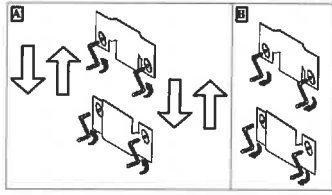
2

Diagram 2 illustrates the assembly of the headboard. It shows the headboard being attached to the side rail. A callout shows a screw being inserted into the headboard.

3

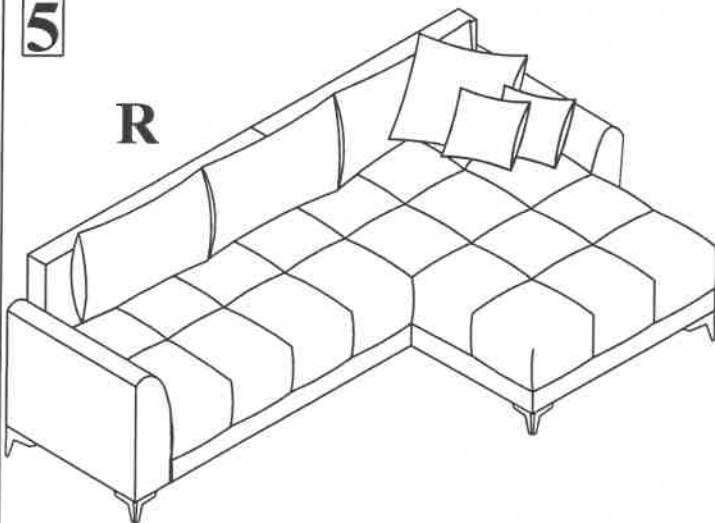


4



5

R



L

