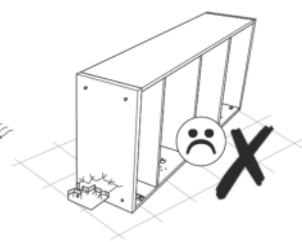
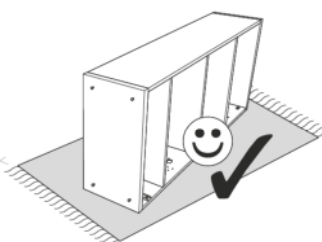
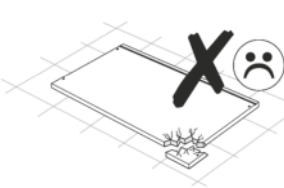
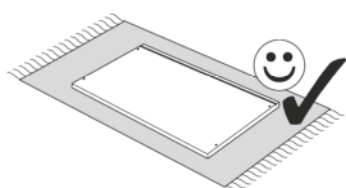
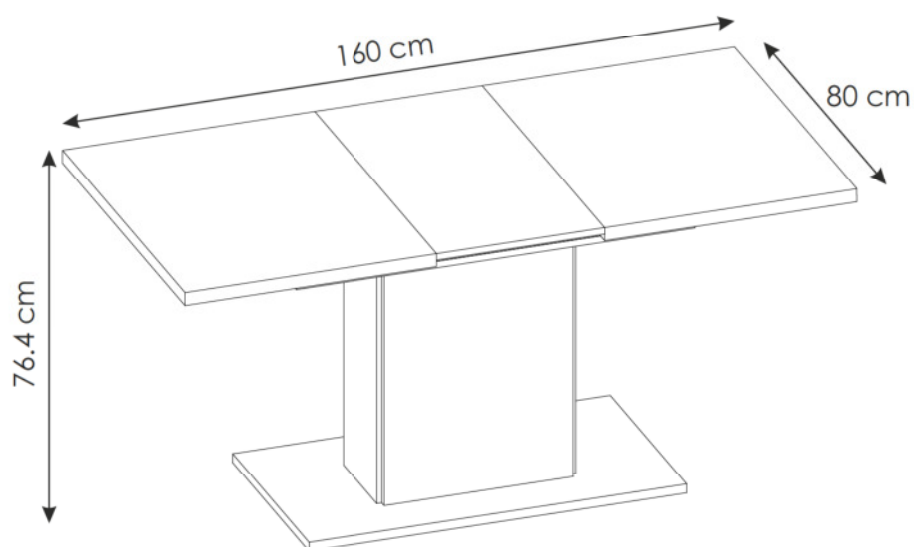
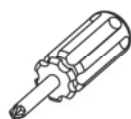
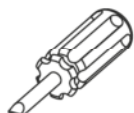
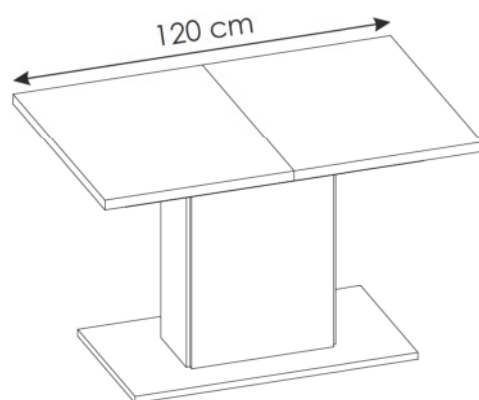
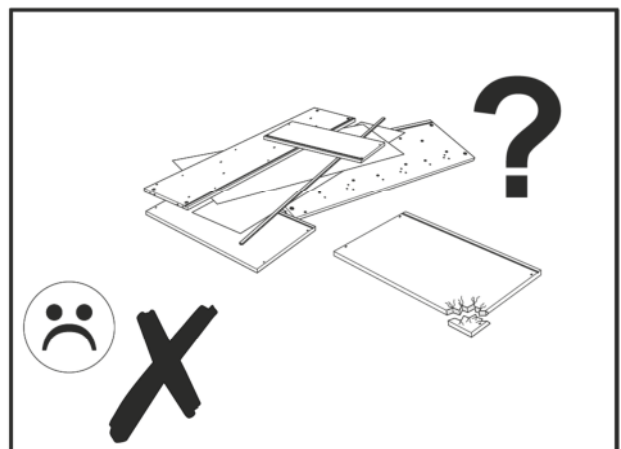
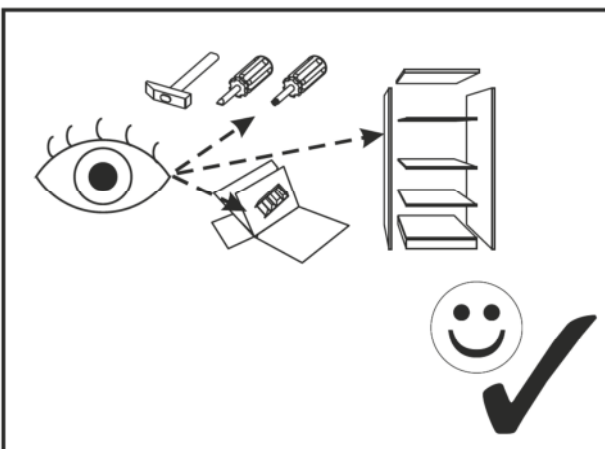
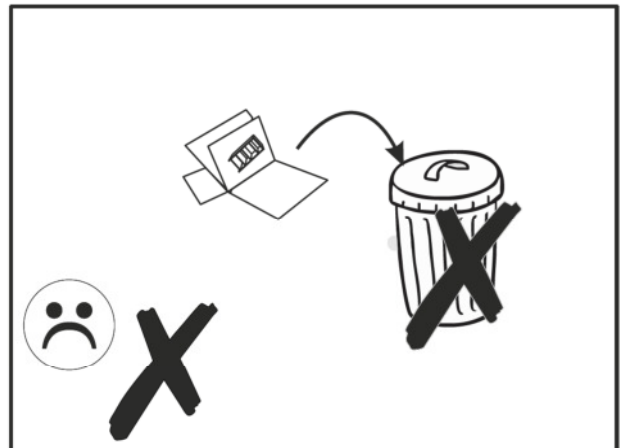
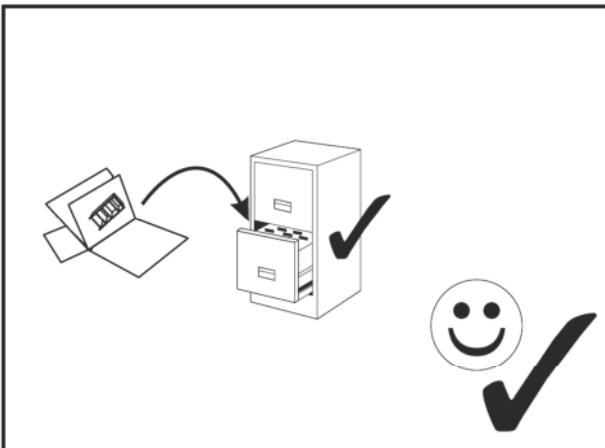
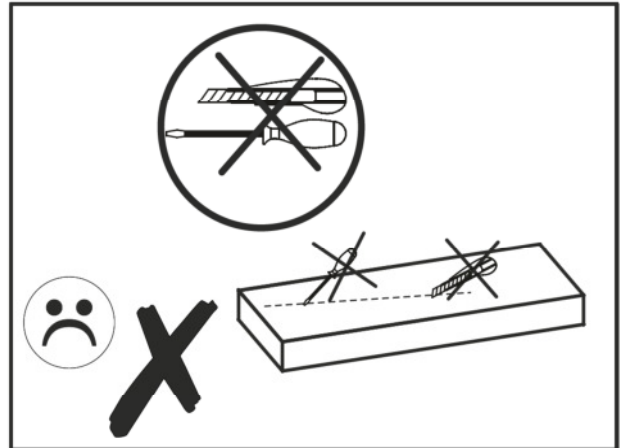
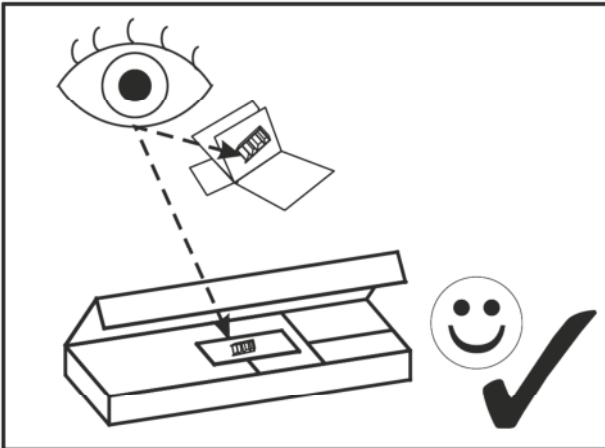


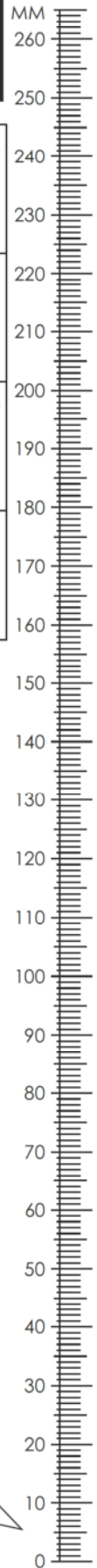
# ARIANA xxx-548



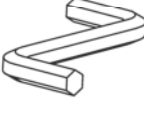


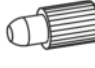


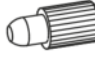



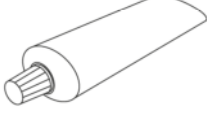


HELA Tische Möbel Vertriebs GmbH  
Scheidkamp 14  
D - 32584 Löhne

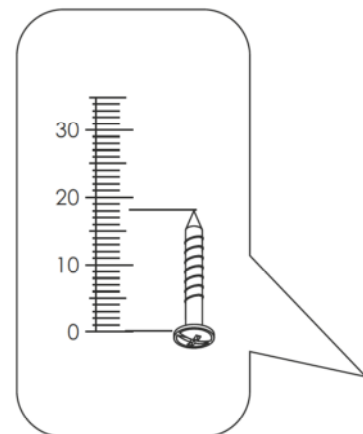




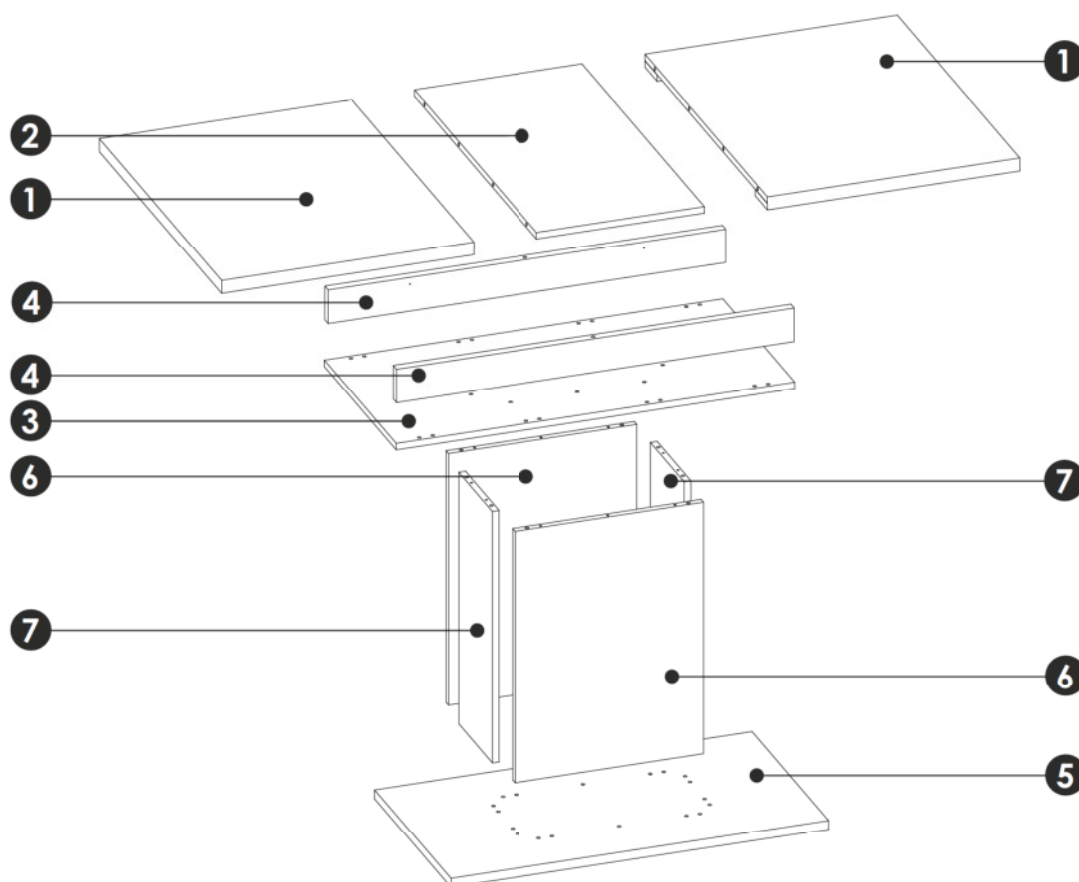
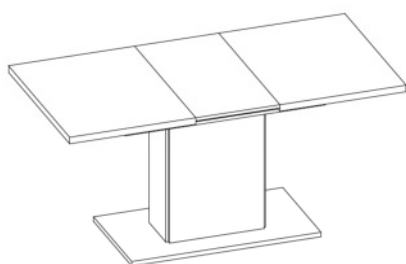
# ARIANA xxx-548



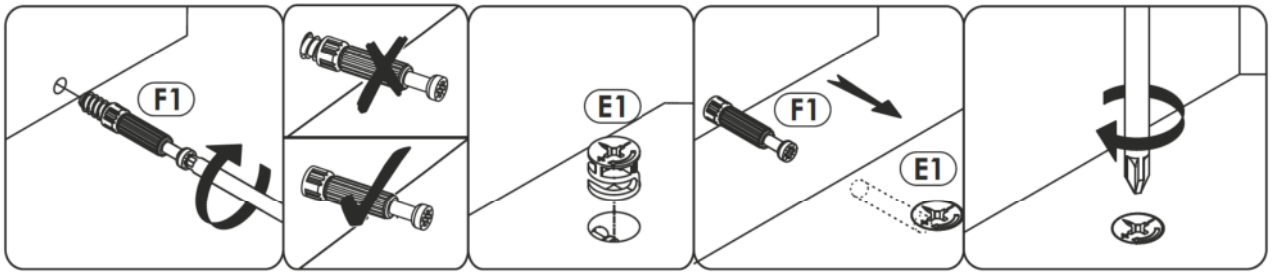
|           |   |     |            |   |     |            |   |     |
|-----------|---|-----|------------|---|-----|------------|---|-----|
| <b>A1</b> | 8 x 35 mm   | x24 | <b>G0</b>  |  | x18 | <b>G2</b>  | 7 x 60 mm   | x28 |
| <b>I3</b> |  |     | <b>I4</b>  | 4 x 12 mm   | x24 | <b>M</b>   |    | x1  |
| <b>O2</b> | 4 x 20 mm   | x12 | <b>O2A</b> |  |     | <b>R8</b>  |   | x10 |
| <b>O2</b> |  | x6  | <b>O2A</b> | ø20   | x8  | <b>R8</b>  |   | x10 |
| <b>S</b>  |  | x1  | <b>S19</b> |  | x4  | <b>T12</b> |   | x2  |
| <b>S</b>  |  | x1  | <b>S19</b> |  | x4  | <b>T12</b> |   | x2  |



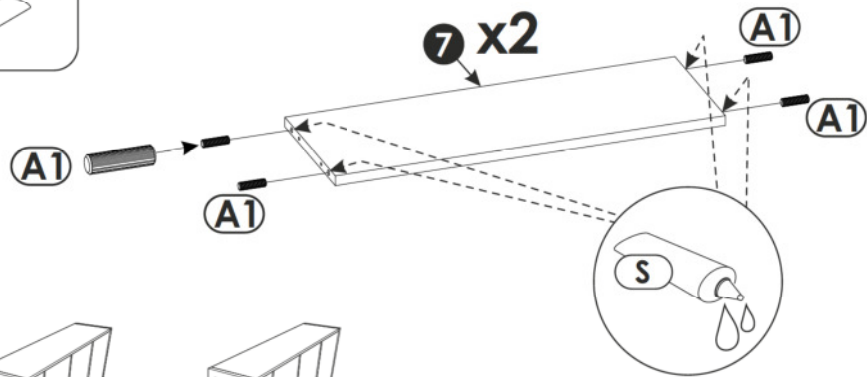
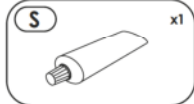
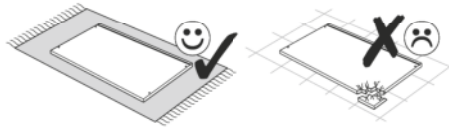
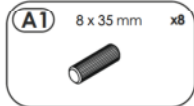
# ARIANA xxx-548



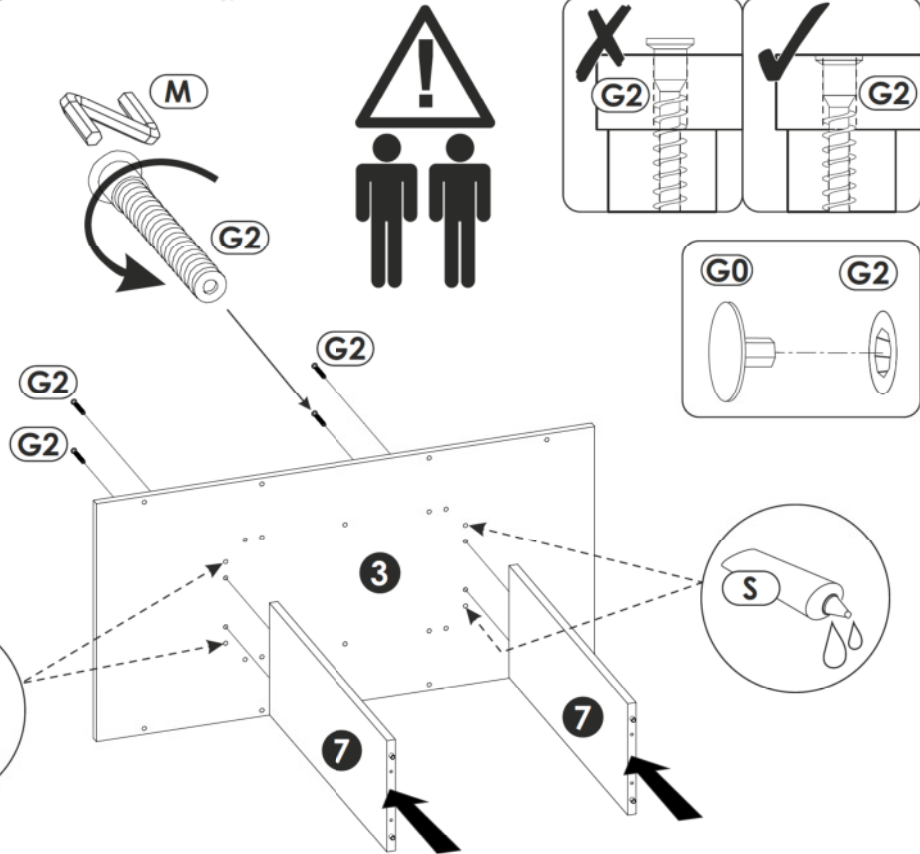
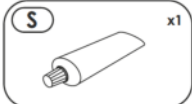
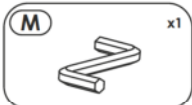
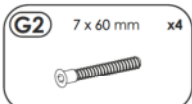
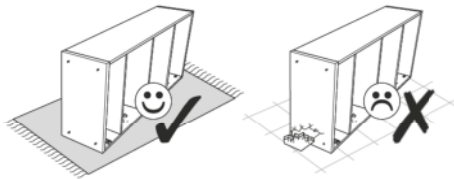
|          |     |     |    |    |     |
|----------|-----|-----|----|----|-----|
| <b>1</b> | 800 | 600 | 32 | x2 | 2/2 |
| <b>2</b> | 800 | 400 | 16 | x1 | 2/2 |
| <b>3</b> | 470 | 950 | 16 | x1 | 1/2 |
| <b>4</b> | 83  | 948 | 22 | x2 | 1/2 |
| <b>5</b> | 900 | 500 | 22 | x1 | 1/2 |
| <b>6</b> | 620 | 450 | 16 | x2 | 1/2 |
| <b>7</b> | 620 | 220 | 16 | x2 | 1/2 |



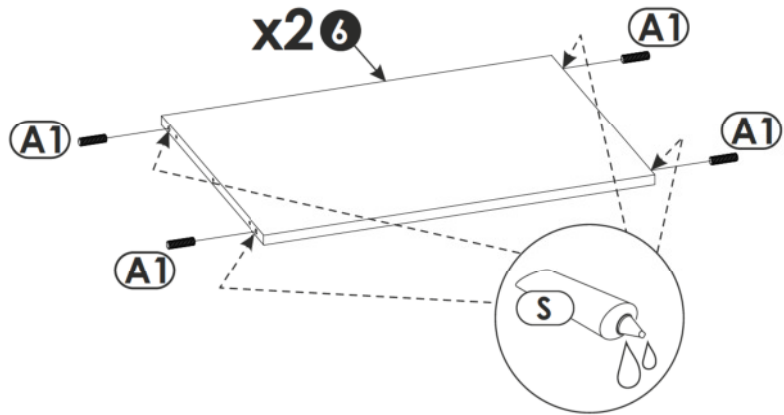
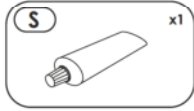
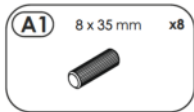
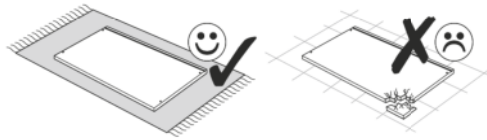
1 ▶



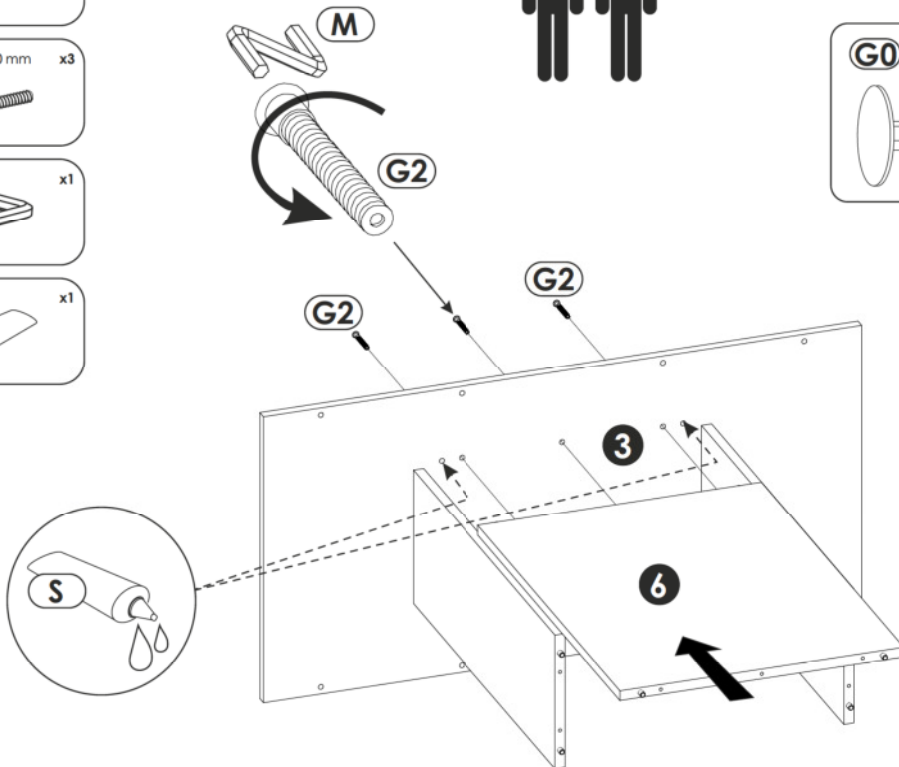
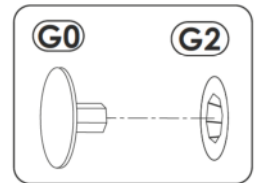
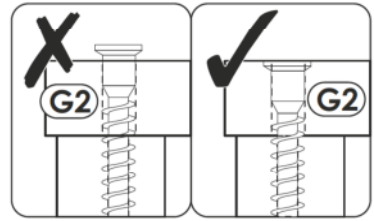
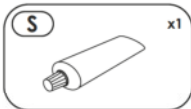
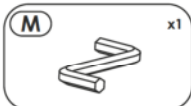
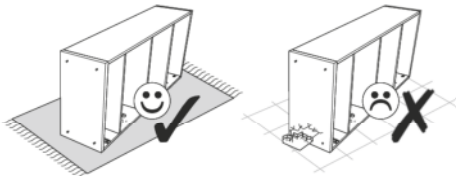
2 ▶

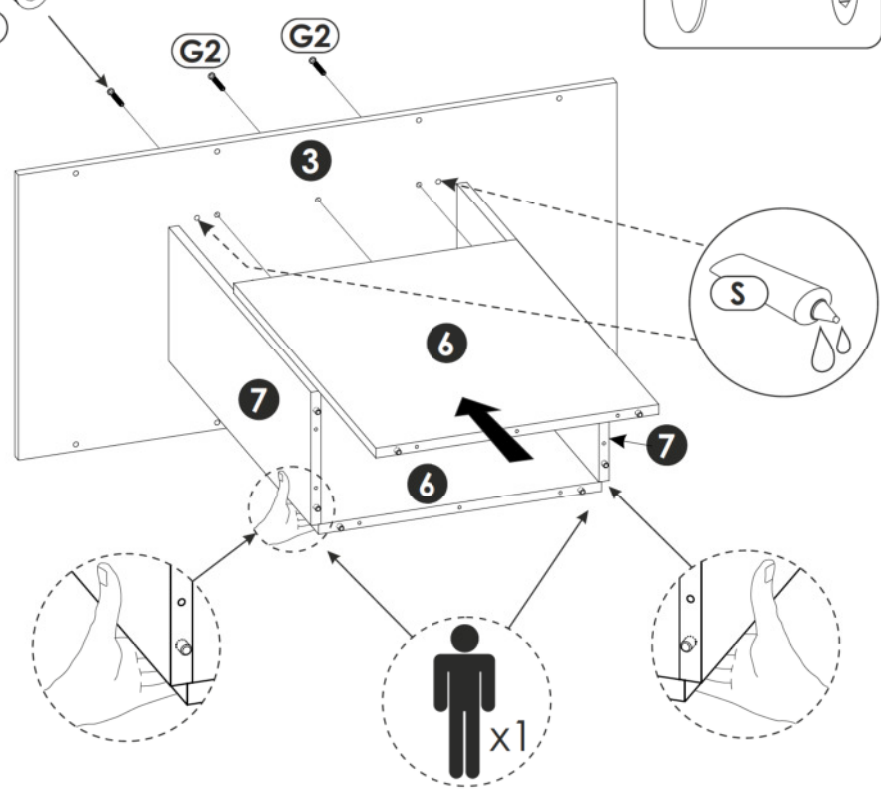
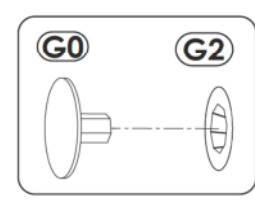
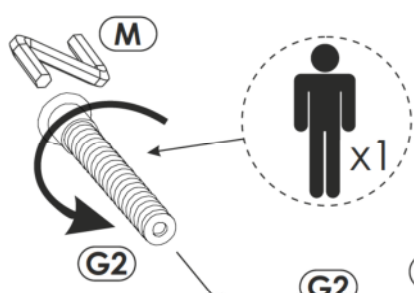
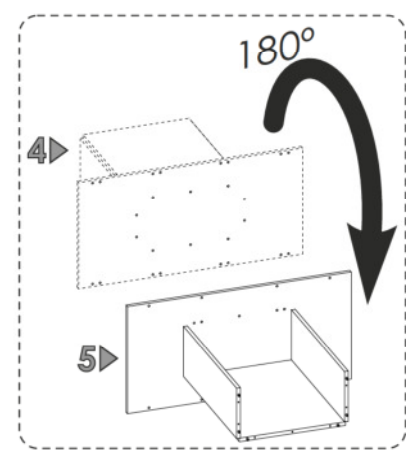
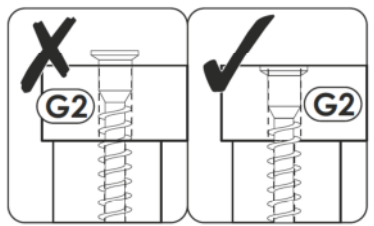
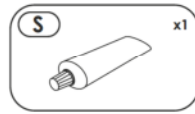
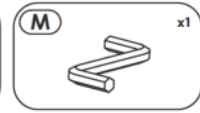
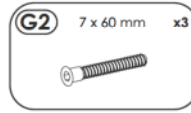
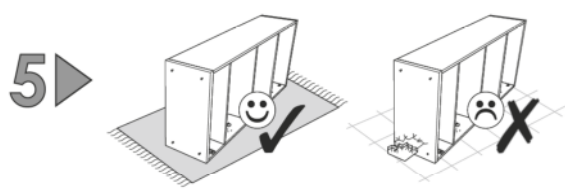


3 ▶

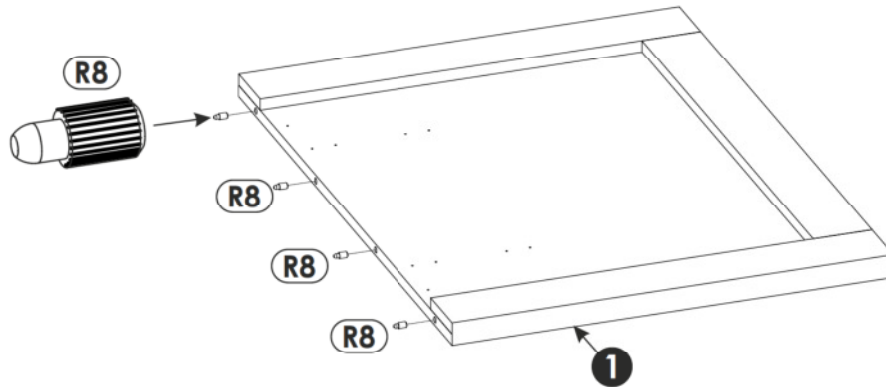
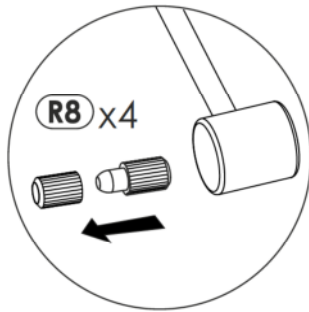
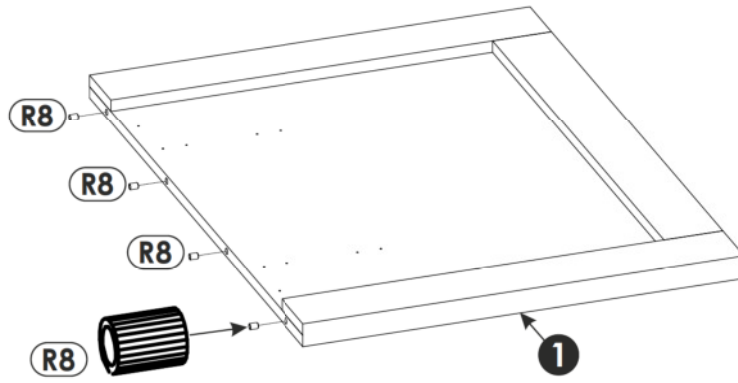
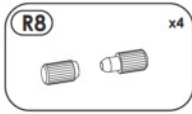
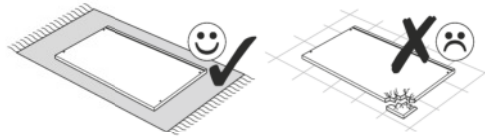


4 ▶



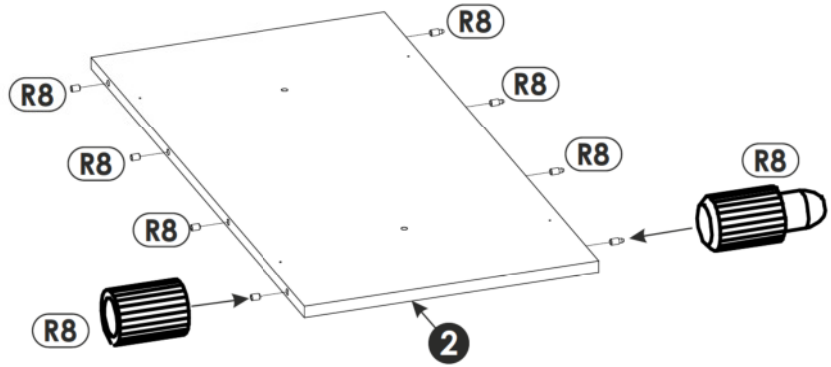
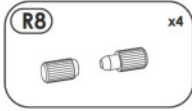
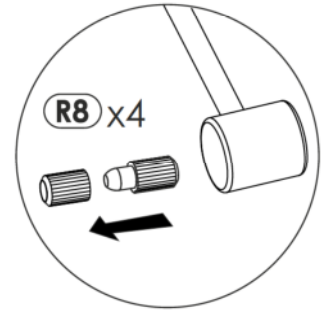
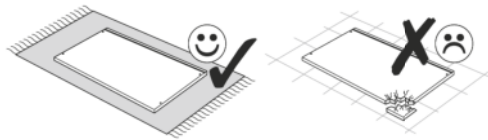


6▶

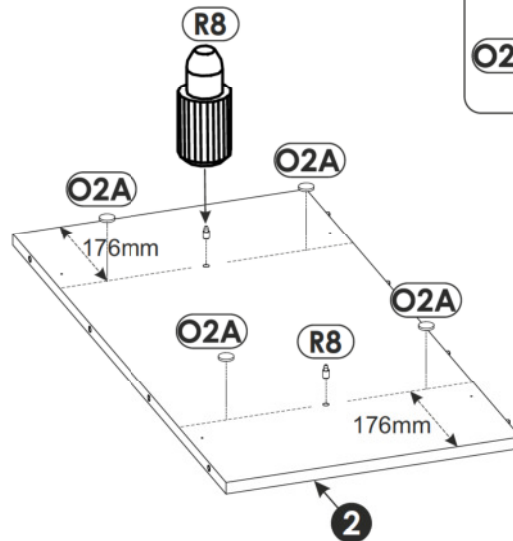
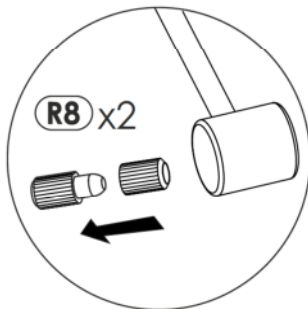
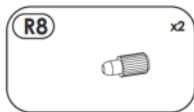
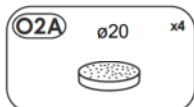
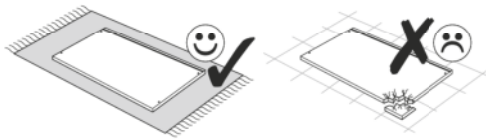




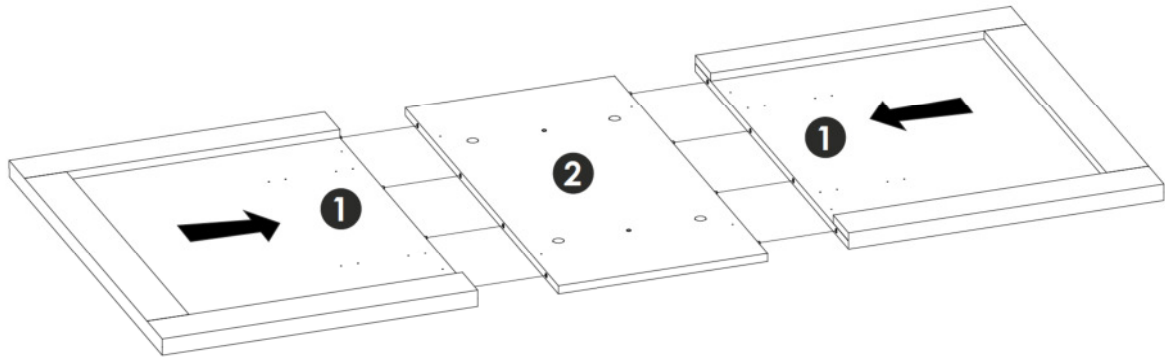
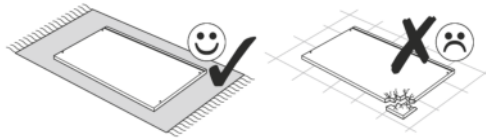
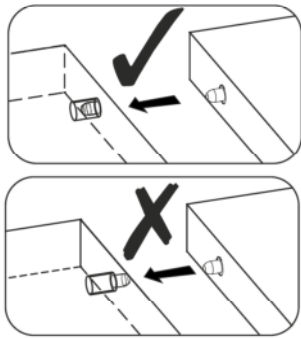
7 ▶



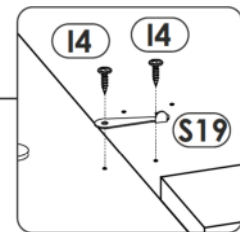
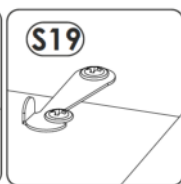
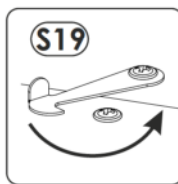
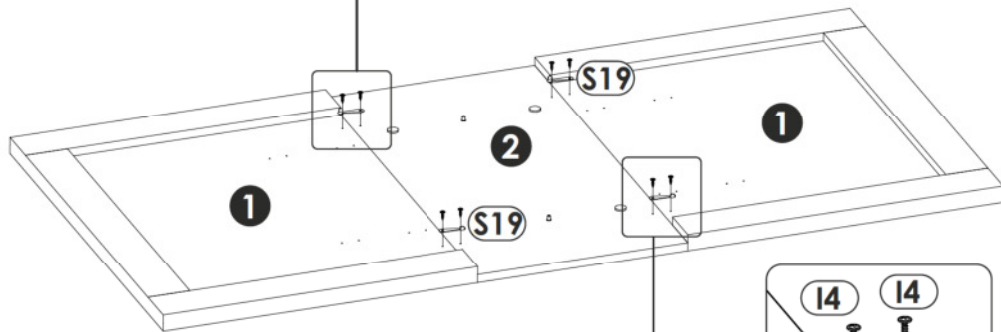
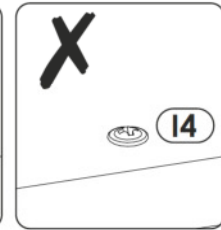
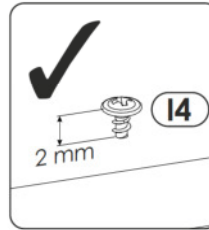
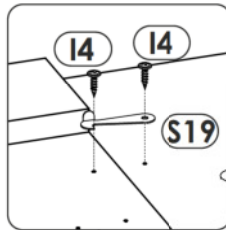
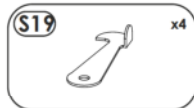
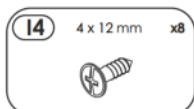
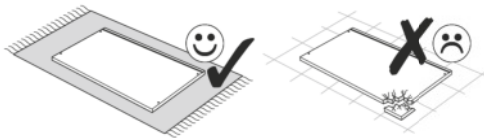
8 ▶



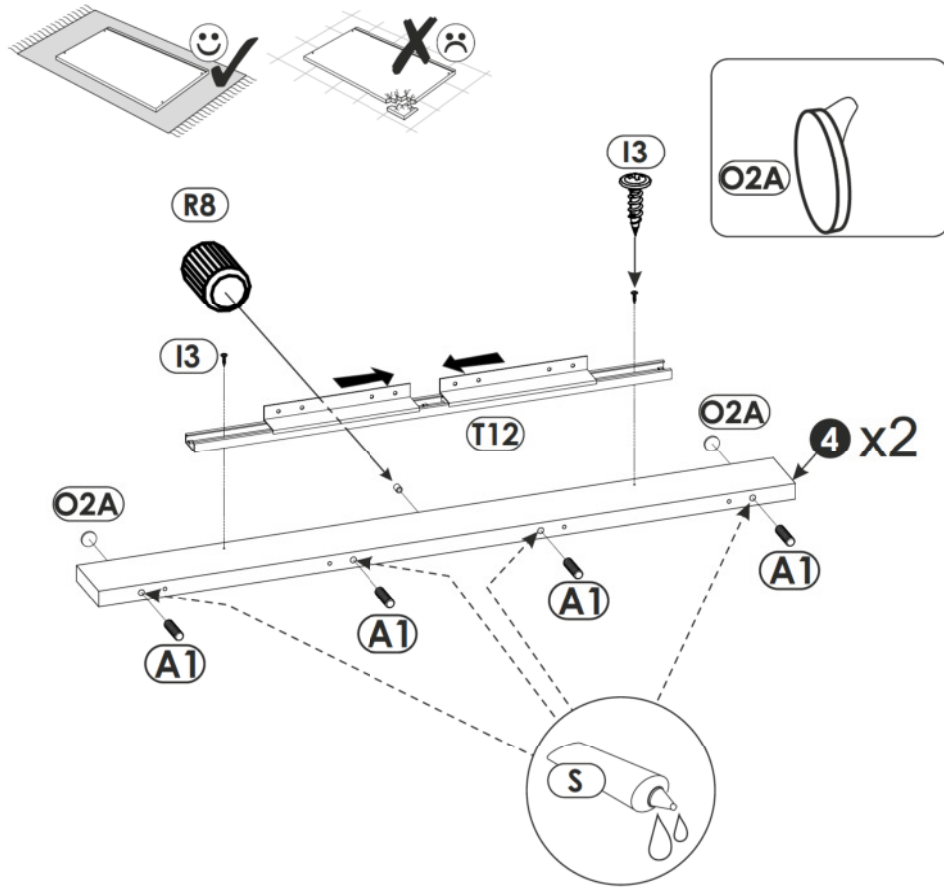
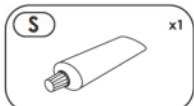
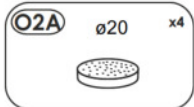
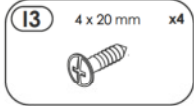
9 ▶



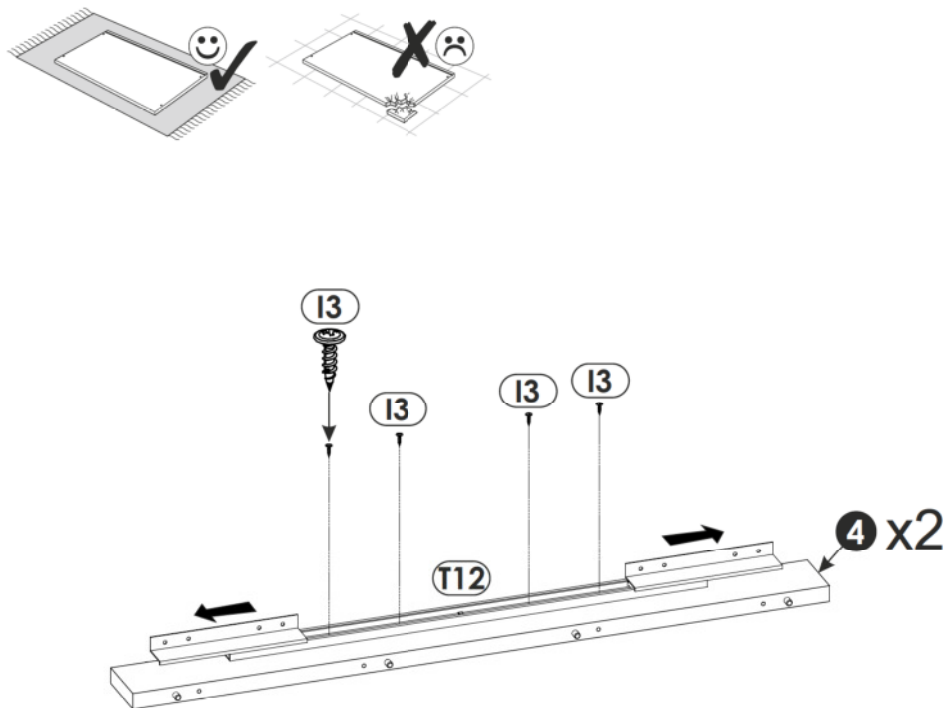
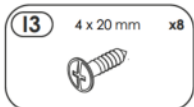
10 ▶



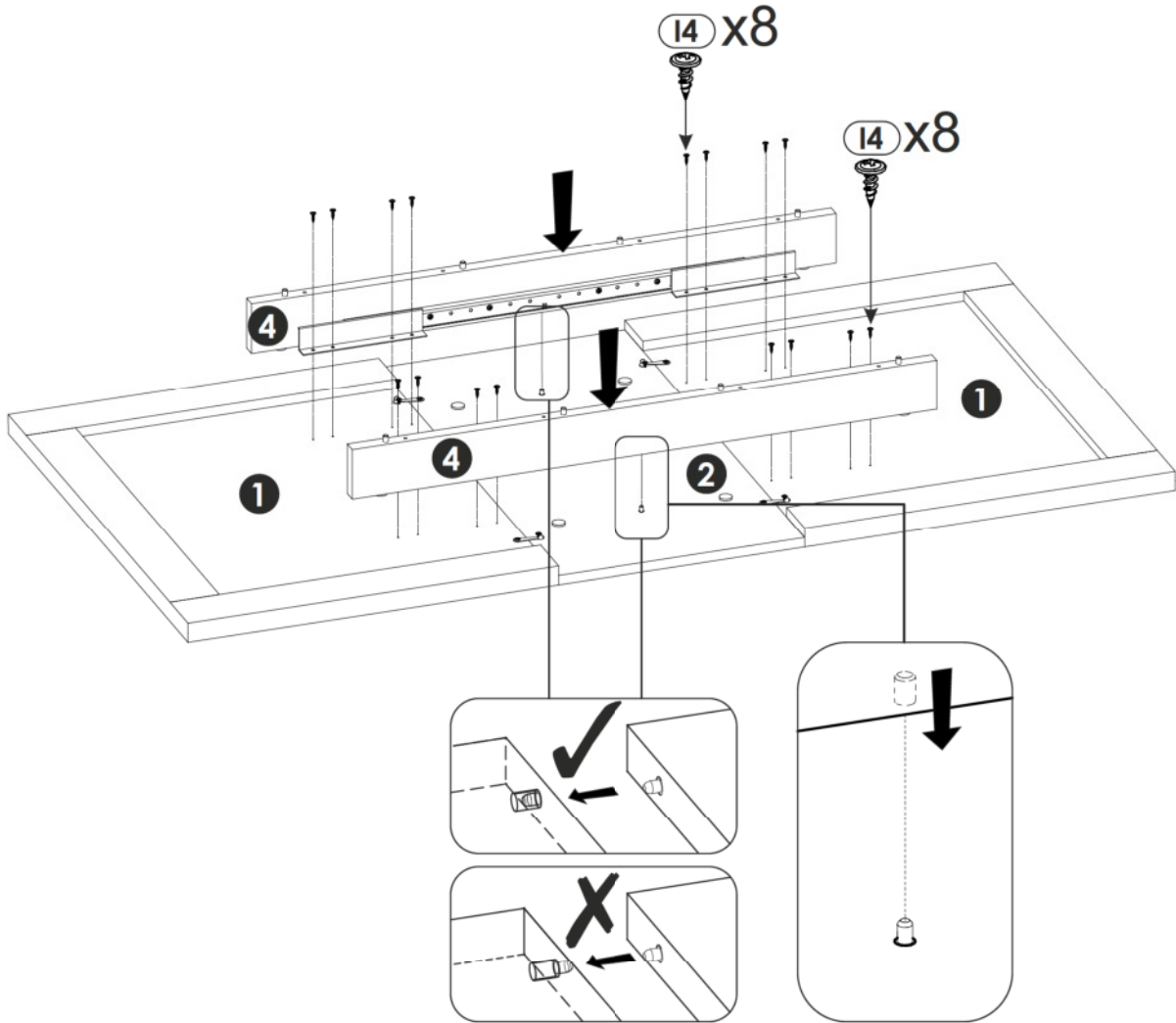
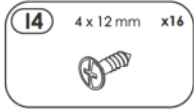
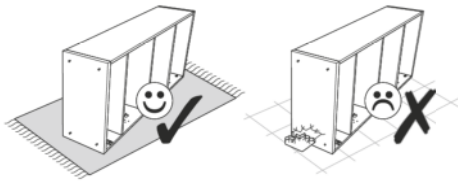
# 11 ▶



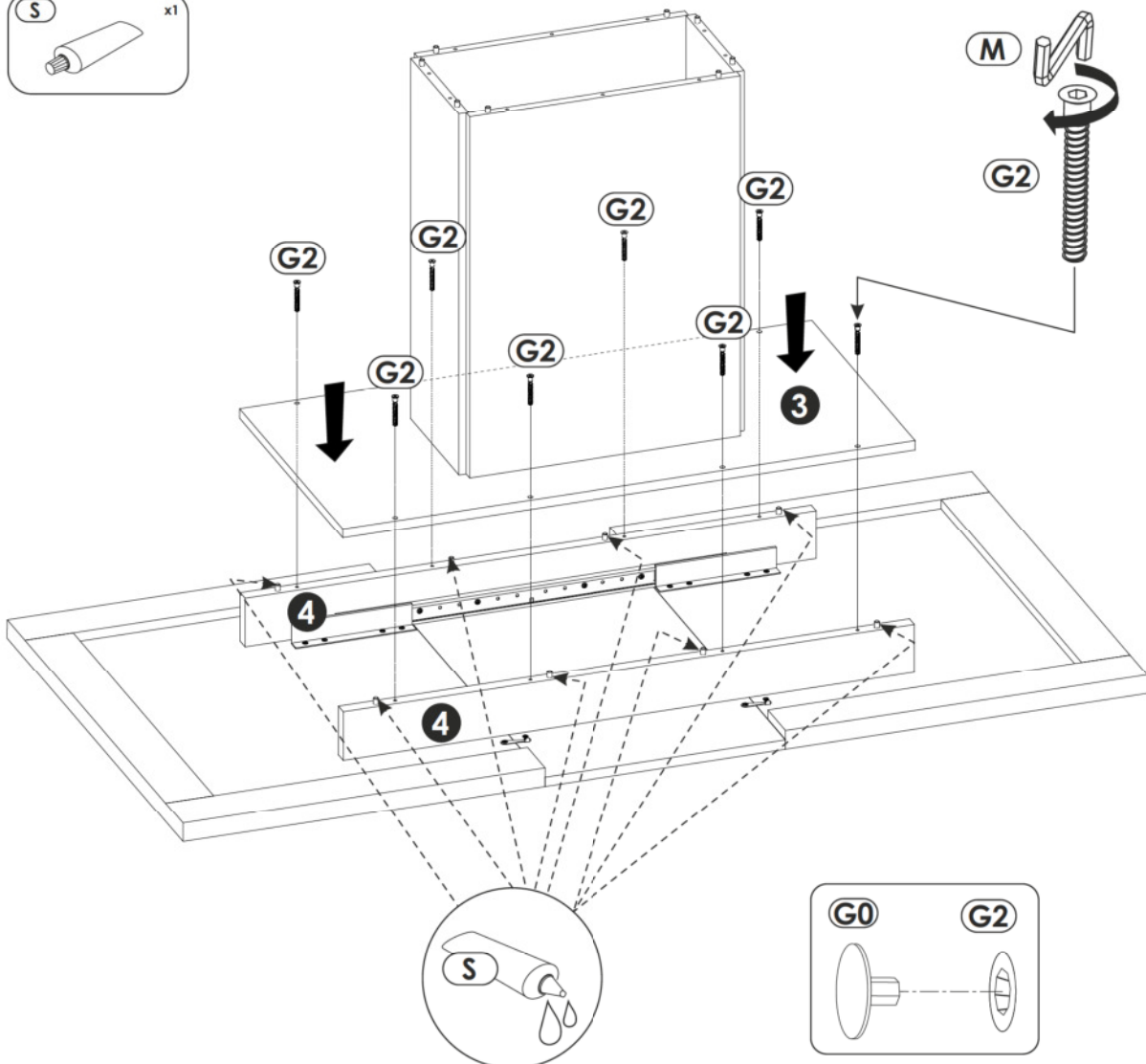
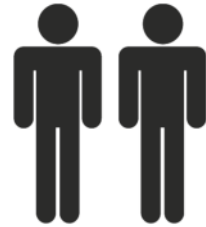
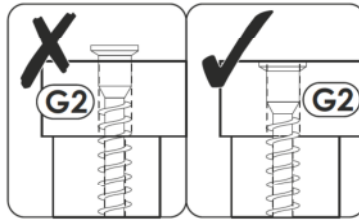
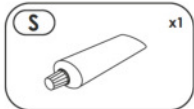
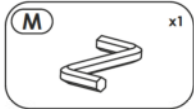
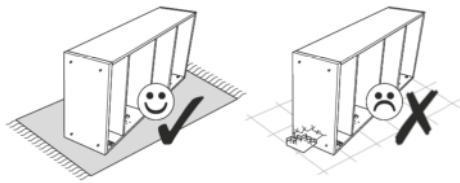
# 12 ▶



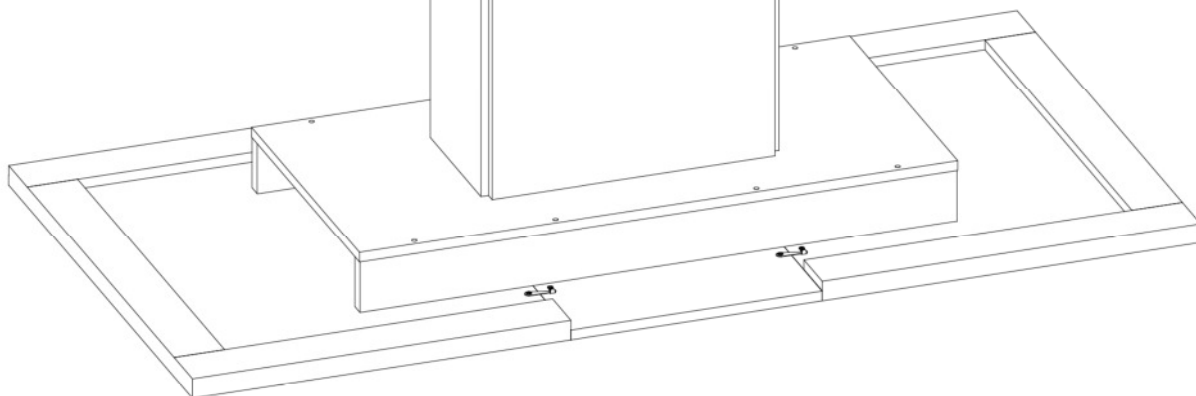
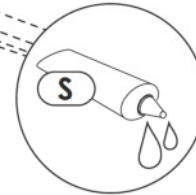
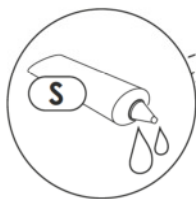
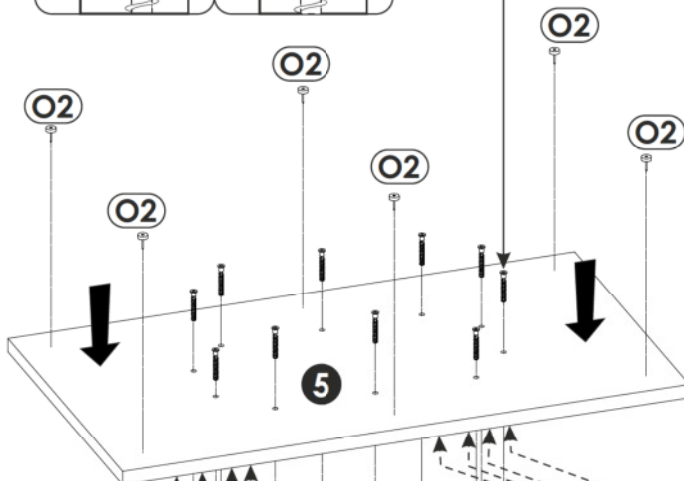
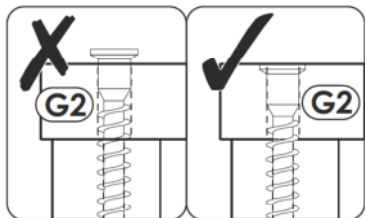
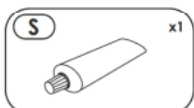
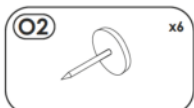
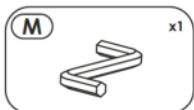
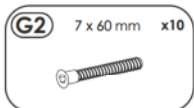
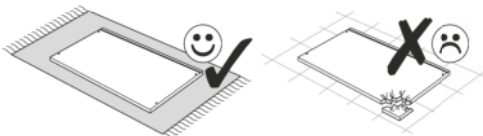
13▶



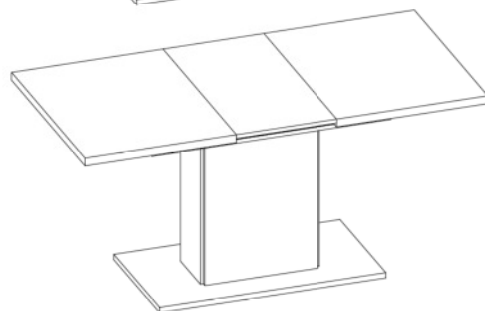
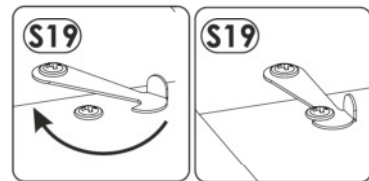
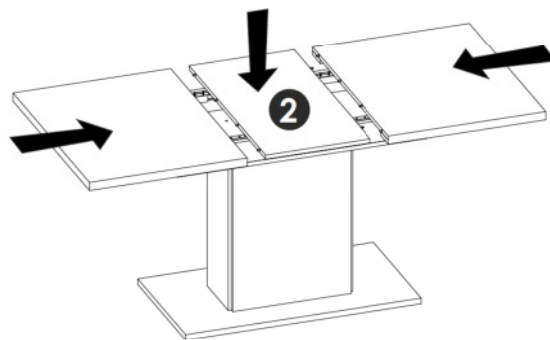
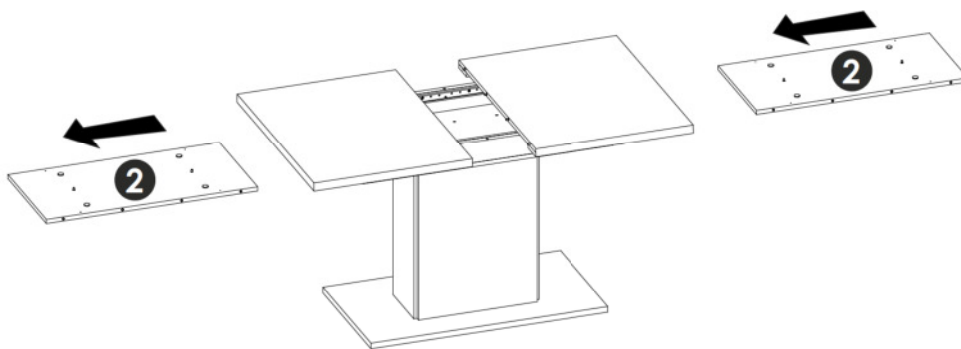
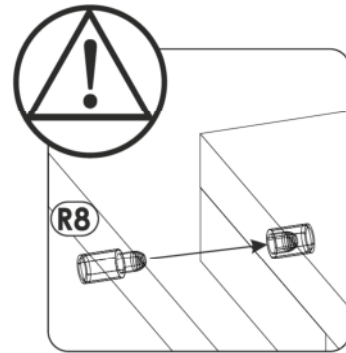
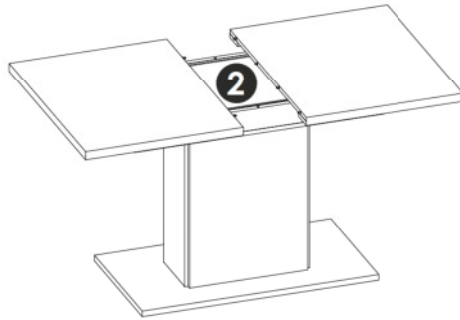
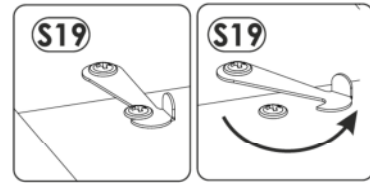
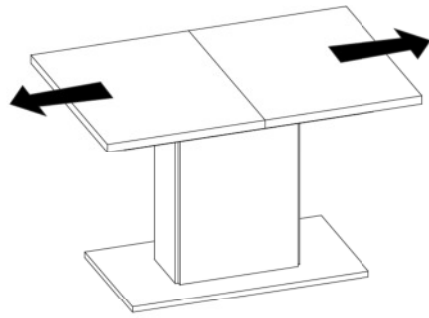
14▶



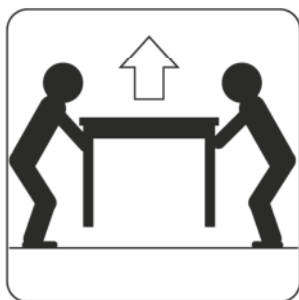
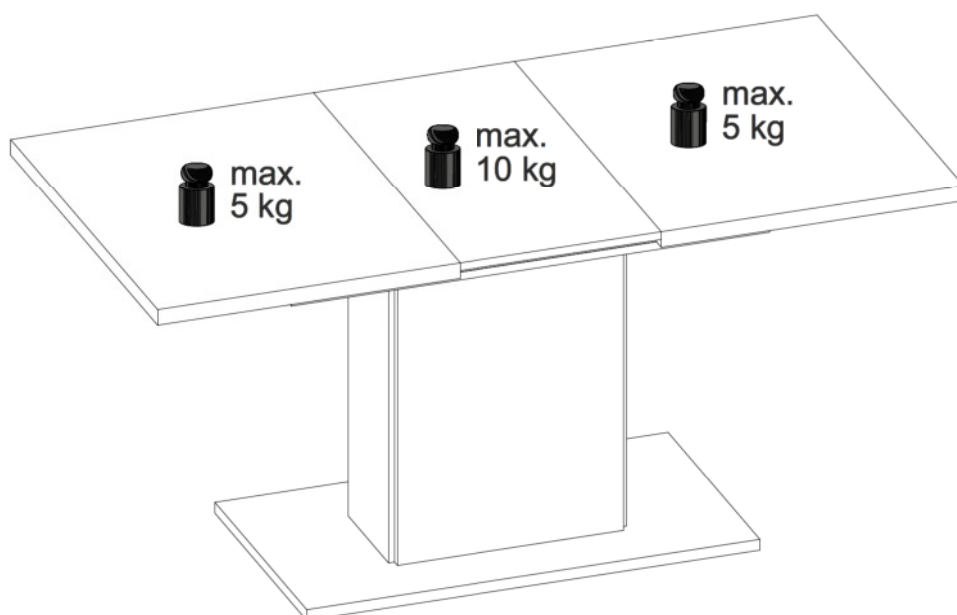
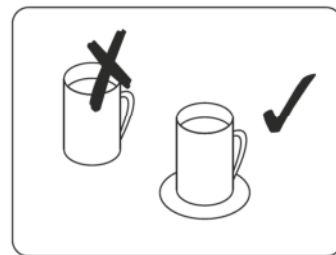
15▶



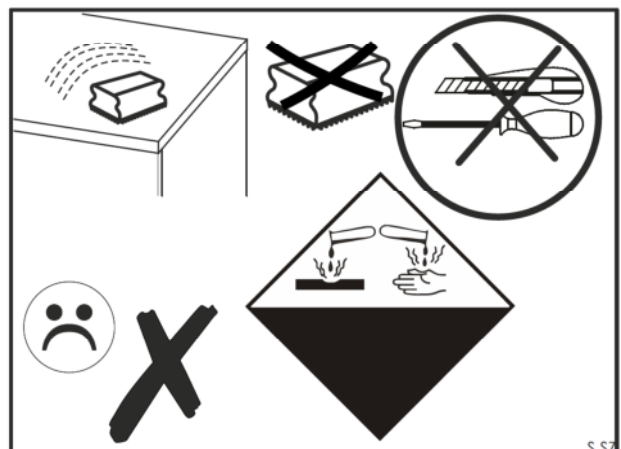
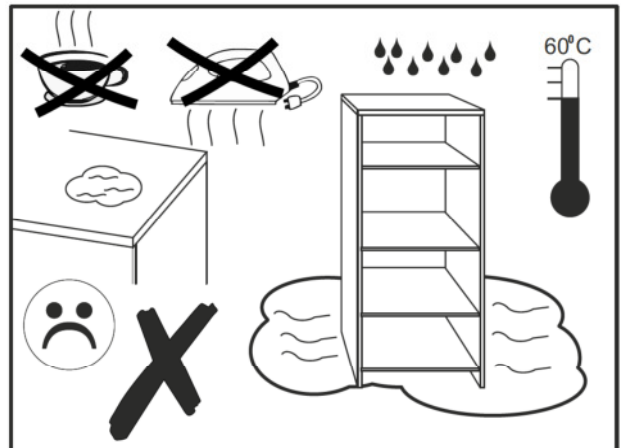
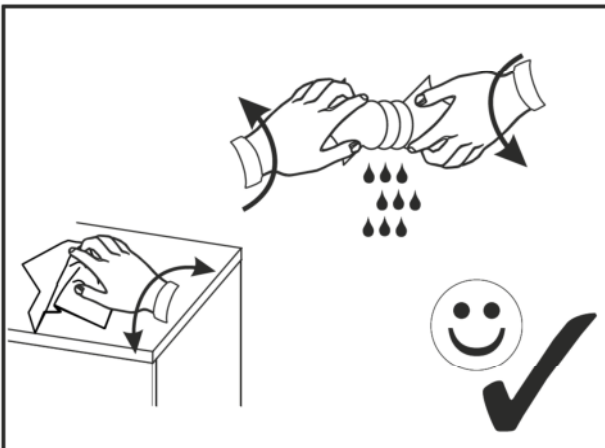
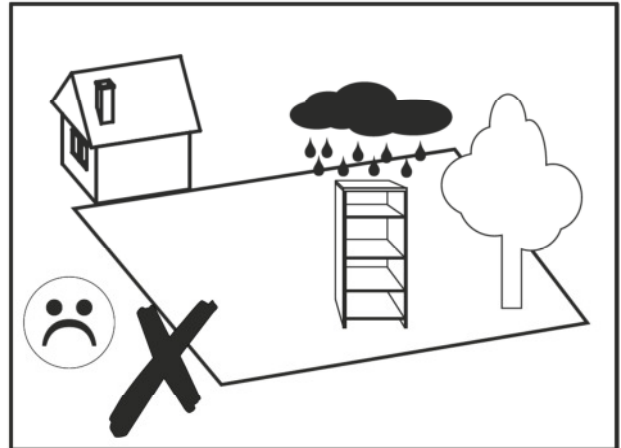
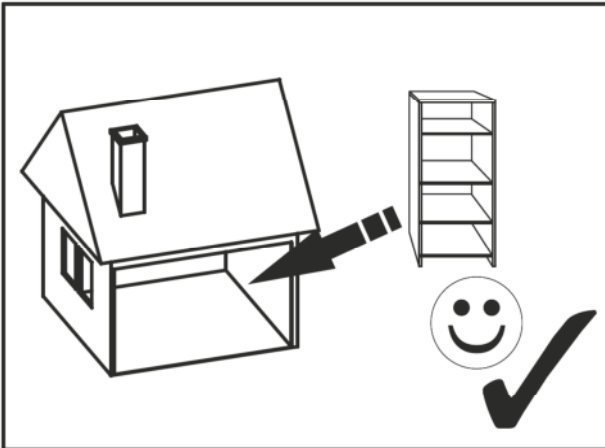
16▶



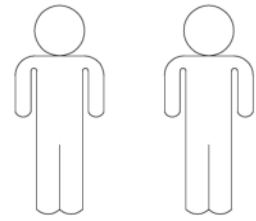
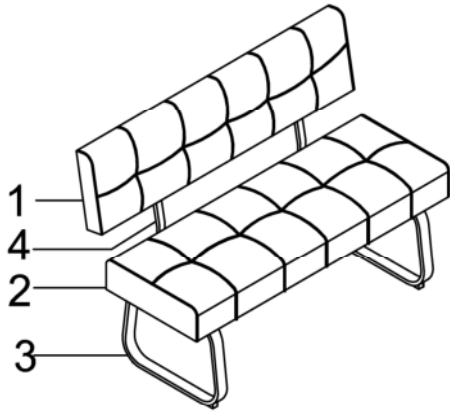
17▶







# Luise 1

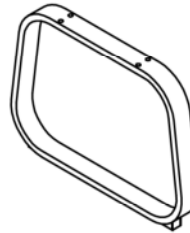
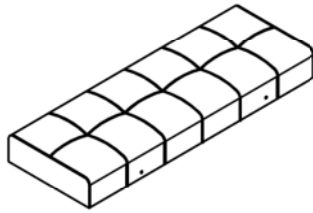
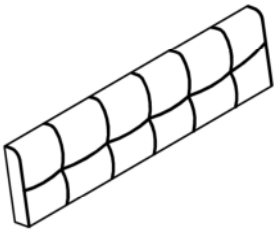


1

2

3





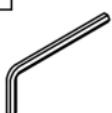
4



|   |    |
|---|----|
| 1 | 1x |
| 2 | 1x |
| 3 | 2x |
| 4 | 2x |

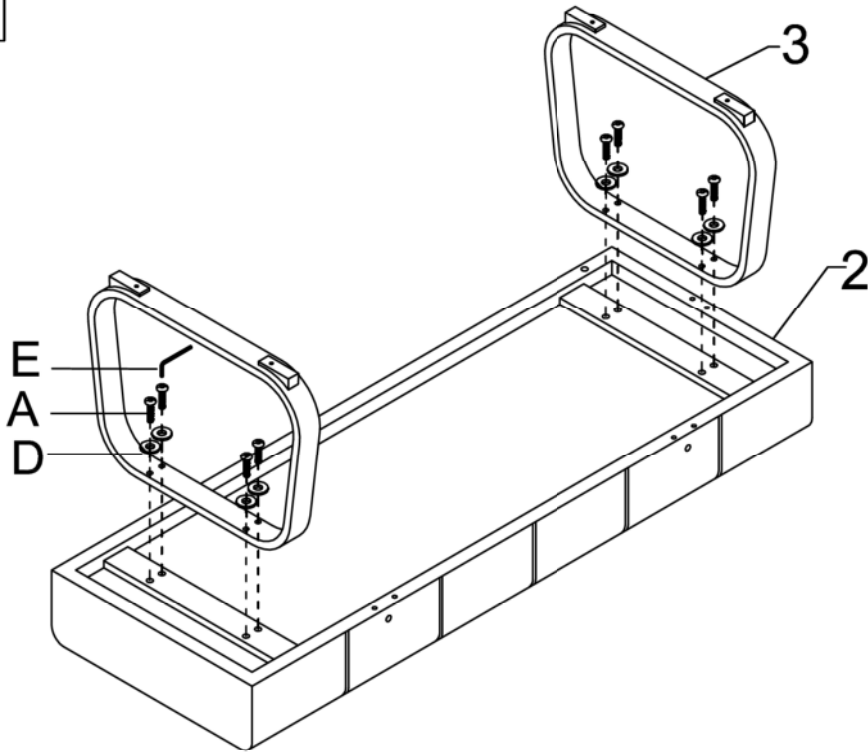






1/1

|   |       |   |       |   |       |   |            |   |     |
|---|-------|---|-------|---|-------|---|------------|---|-----|
| <b>A</b>  | M8*35 | <b>B</b>  | M8*18 | <b>C</b>  | M8*40 | <b>D</b>  | Ø18*Ø8*1.5 | <b>E</b>  | 5mm |
|  | 12X   |  | 4X    |  | 2X    |  | 18X        |  | 1X  |

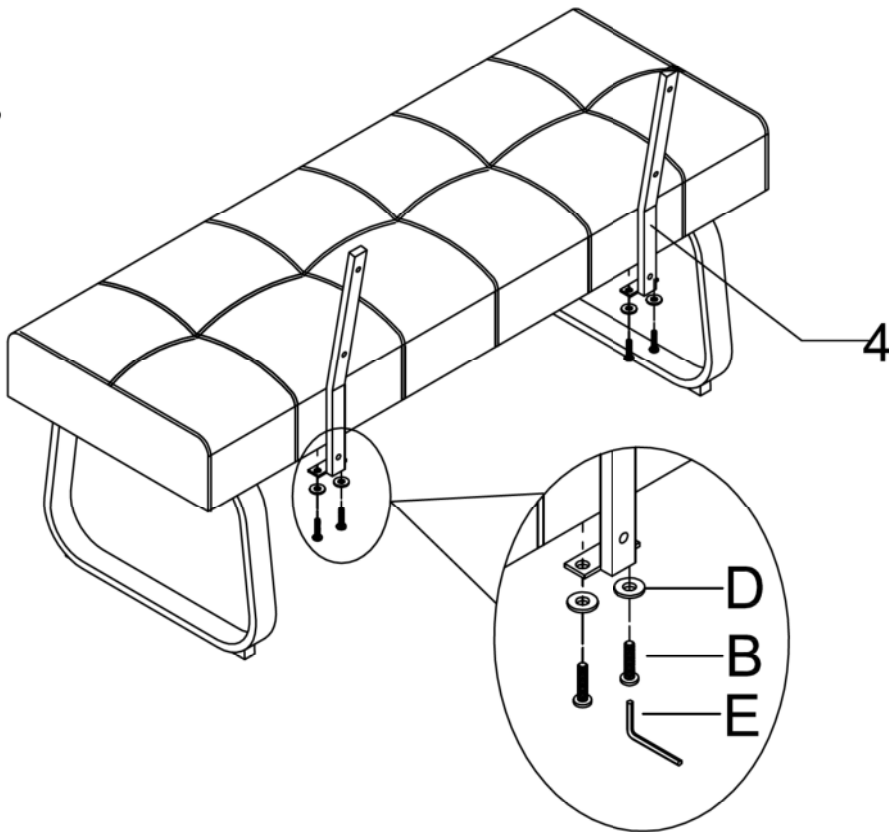
I.





1.



|   |   |
|---|---|
| A   | M8*35<br><br>8X      |
| D   | Ø18*Ø8*1.5<br><br>8X |
| E   | 5mm<br><br>1X        |
|  |   |

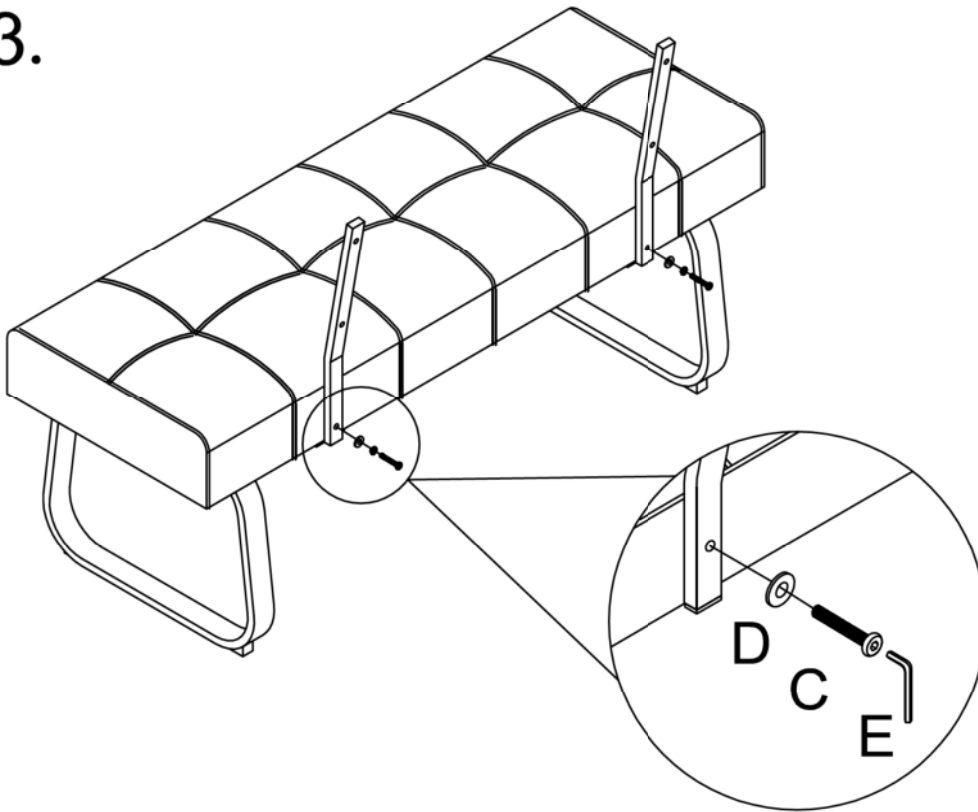
2.







|   |   |
|---|---|
| B   | M8*18<br><br>4X      |
| D   | Ø18*Ø8*1.5<br><br>4X |
| E   | 5mm<br><br>1X        |
|  |   |

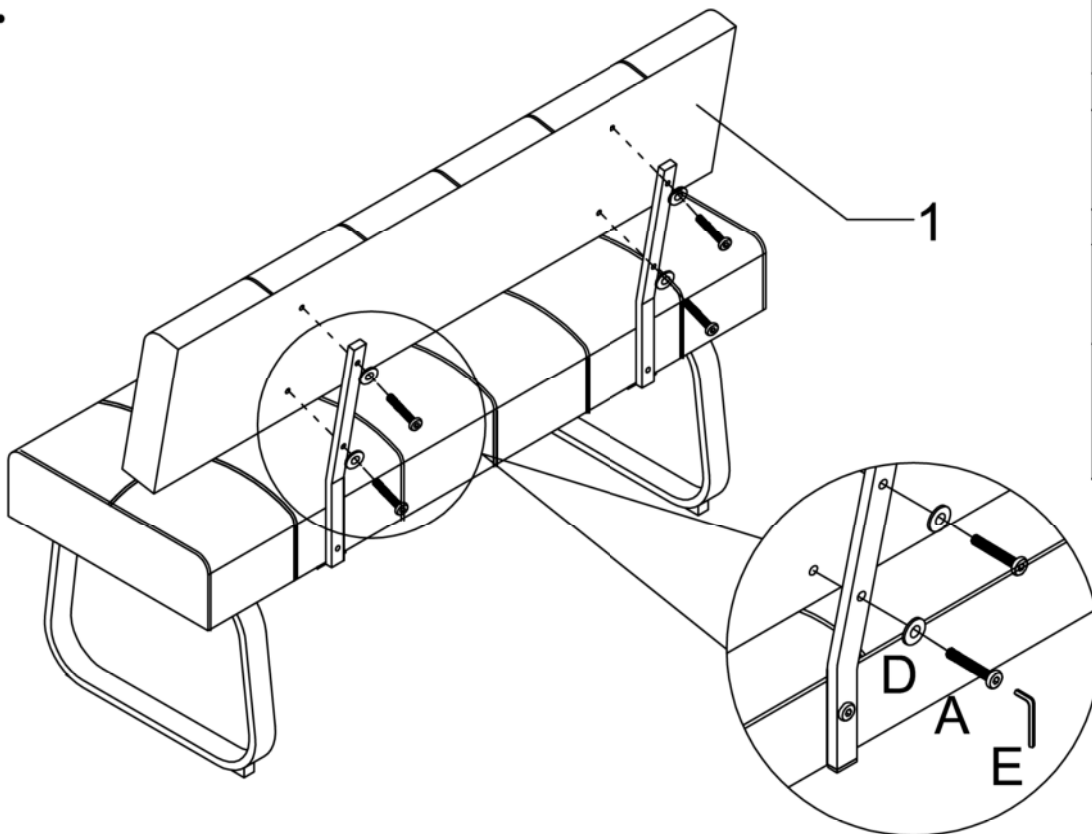
11.





3.



- C  M8\*40  
2X
  - D  Ø18\*Ø8\*1.5  
2X
  - E  5mm  
1X
- 

4.



- A  M8\*35  
4X
  - D  Ø18\*Ø8\*1.5  
4X
  - E  5mm  
1X
- 

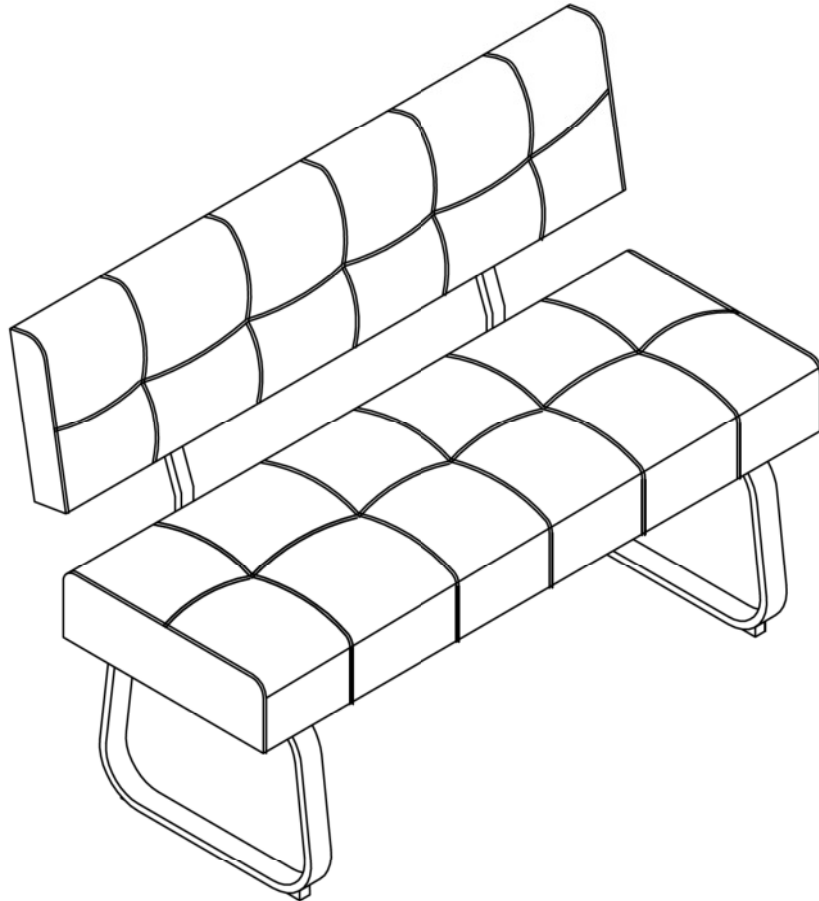
III.

5.

E 5mm



1X



LE TRI  
+ FACILE

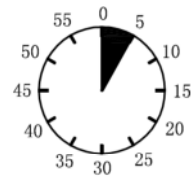
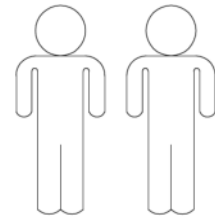
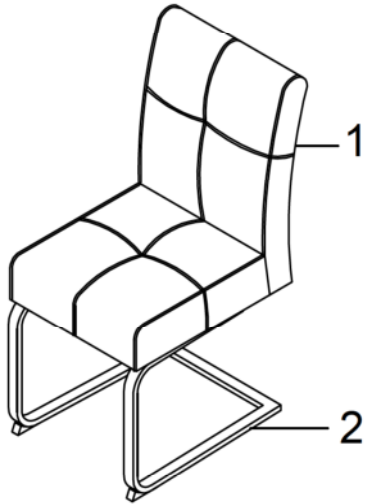


+



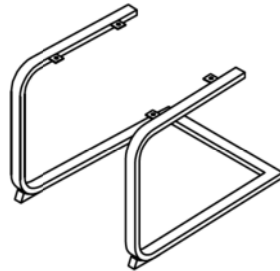
Séparez les éléments avant de trier

# Luise



1

2



|   |    |
|---|----|
| 1 | 1X |
| 2 | 1X |



1/1

A

M6\*20



4X

B

Ø18\*Ø6.5\*1.5



4X

C

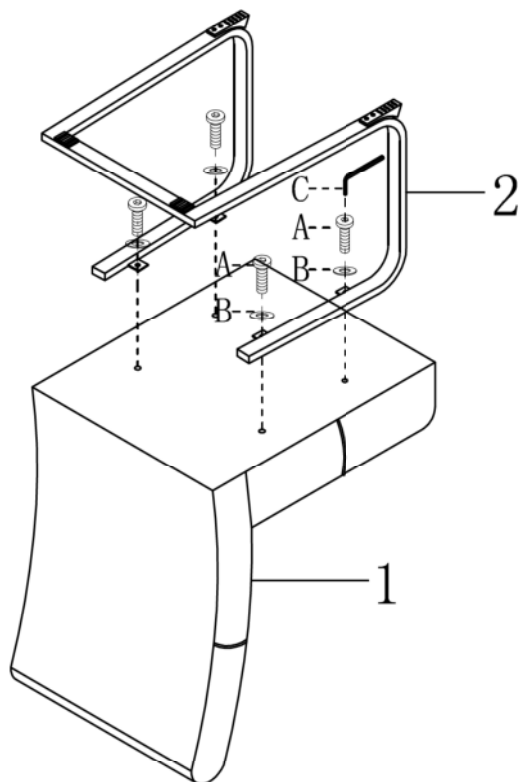
4mm




1X

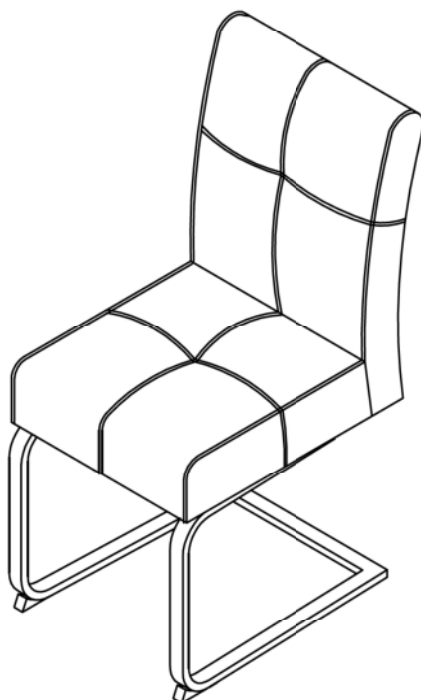
1.


1.



- A M6\*20  
4X
  - B Ø18\*Ø6.5\*1.5  
4X
  - C 4mm  
1X
- 

2.



- C 4mm  
1X
- 



**LE TRI  
+ FACILE**



+



Séparez les éléments avant de trier