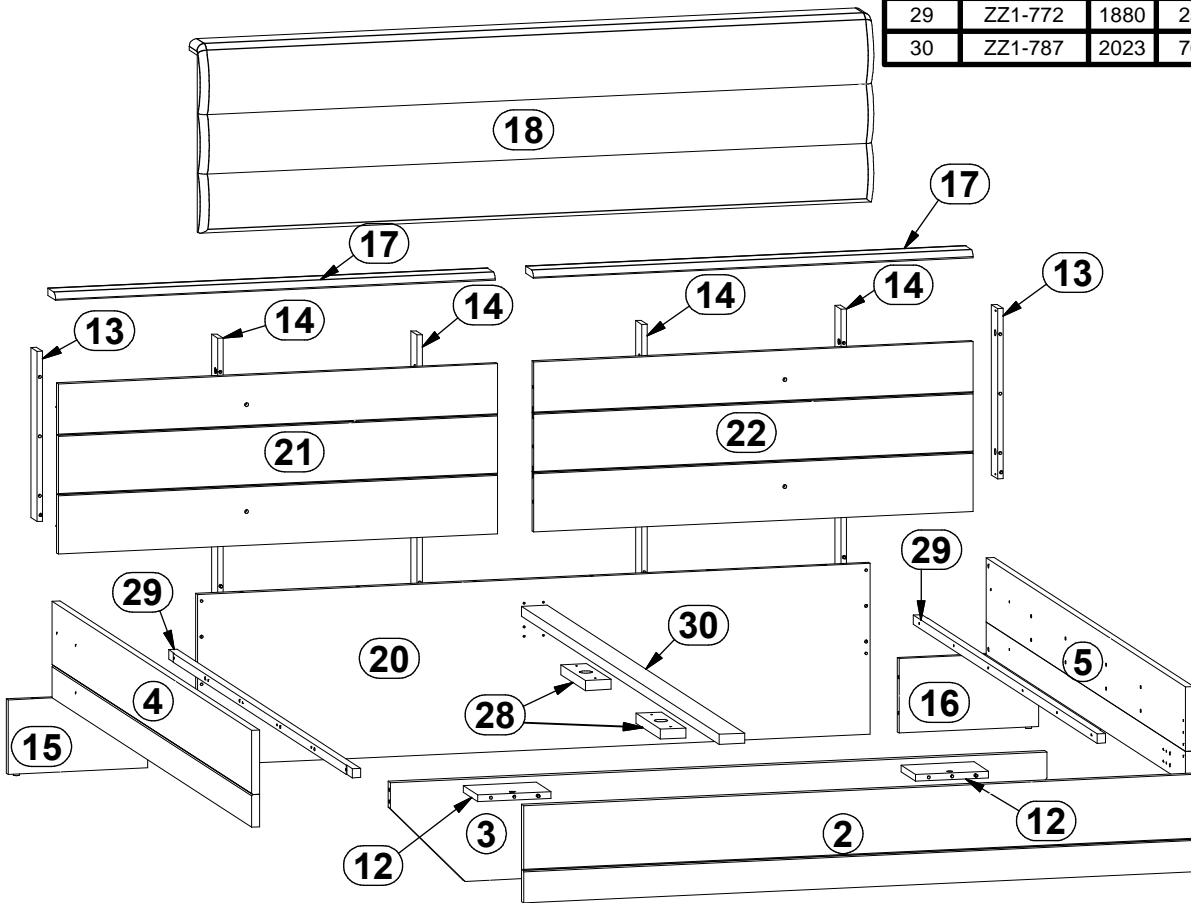
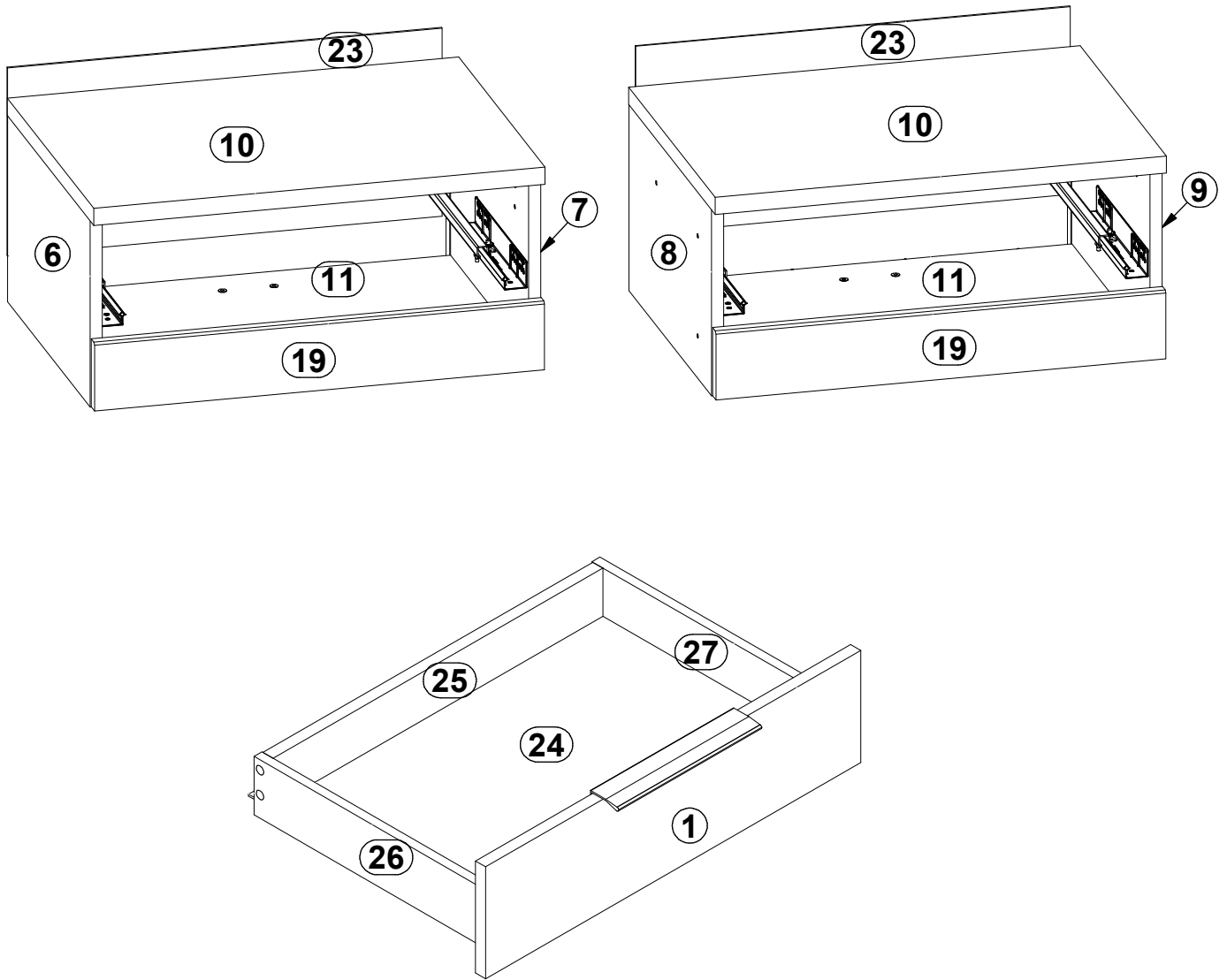


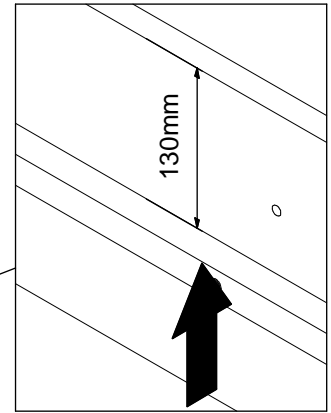
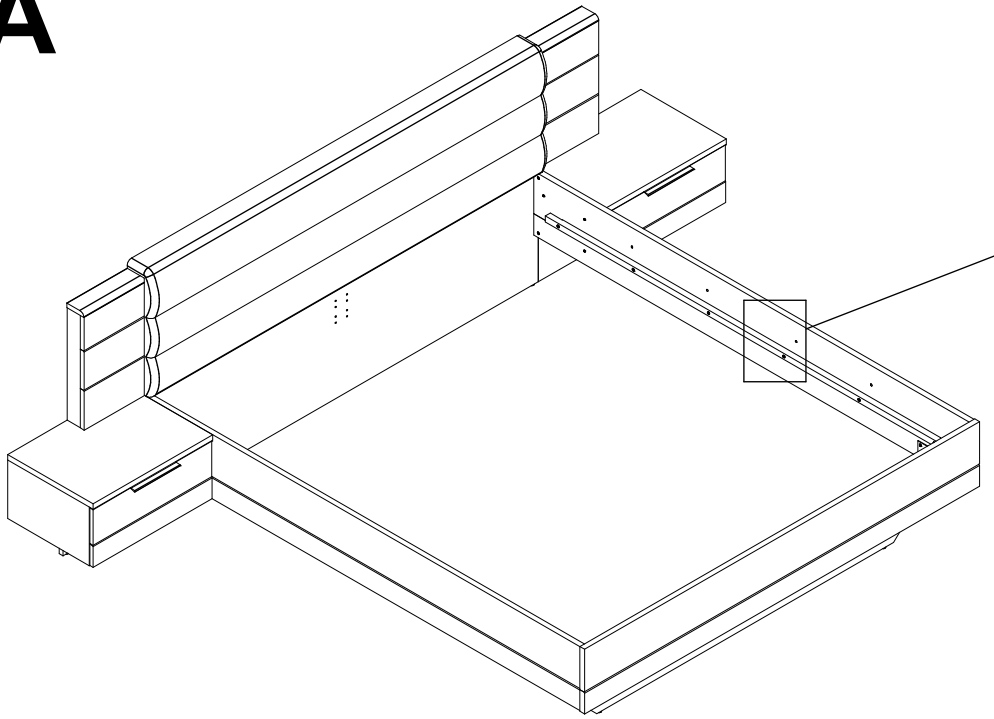
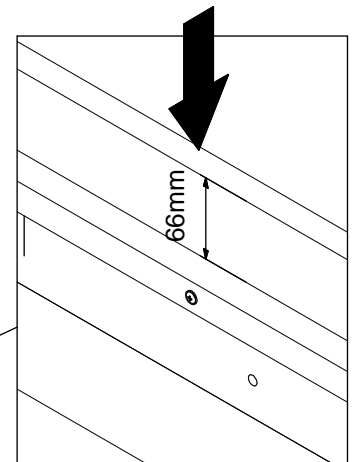
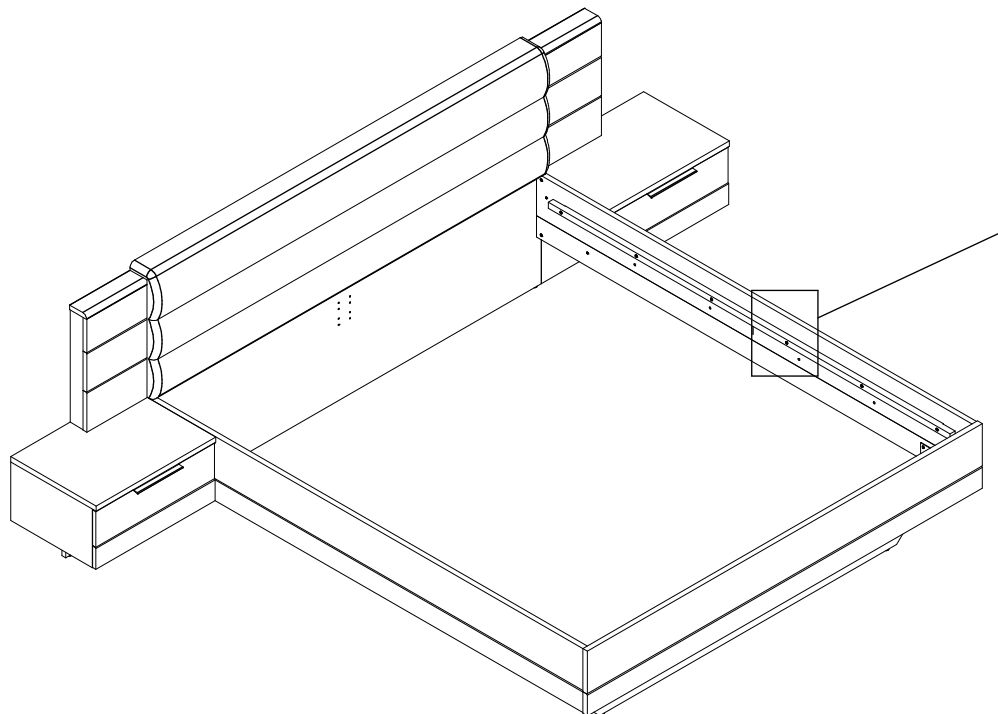
A	B	C1	C2	C3	D
1	L110-0002	556	144	15	4/5
2	L110-0011	1848	262	22	3/5
3	L110-1007	1800	275	22	3/5
4	L110-1008	2040	260	22	2/3
5	L110-1009	2040	260	22	2/3
6	L110-1010	238	382	15	1/5
7	L110-1011	238	382	15	1/5
8	L110-1012	238	382	15	1/5
9	L110-1013	238	382	15	1/5
10	L110-2003	560	400	22	1/5
11	L110-3008	529	362	15	1/5
12	L110-4001	200	150	18	4/5
13	L110-4002	458	62	15	3/5
14	L110-4003	918	62	15	3/5
15	L110-4501	200	382	18	4/5
16	L110-4502	200	382	18	4/5
17	L110-5001	1205	80	19	3/5
18	L110-5301	1846	506	130	5/5
19	L110-7031	558	87	15	4/5
20	L110-7032	1844	460	18	3/5
21	L110-7101	1204	458	18	4/5
22	L110-7102	1204	458	18	4/5
23	L110-9001	539	240	2,5	1/5
24	WSP-9130	497	358	2,5	1/5
25	ZQ6-5170	489	62	15	3/5
26	ZQ6-527	350	75	12	3/5
27	ZQ6-528	350	75	12	3/5
28	ZZ1-759	250	70	27	2/3
29	ZZ1-772	1880	25	25	2/3
30	ZZ1-787	2023	70	27	2/3

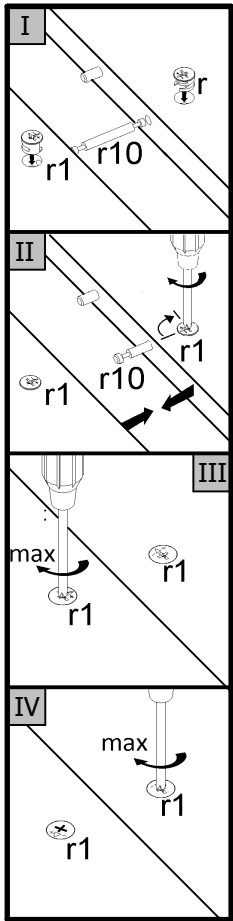




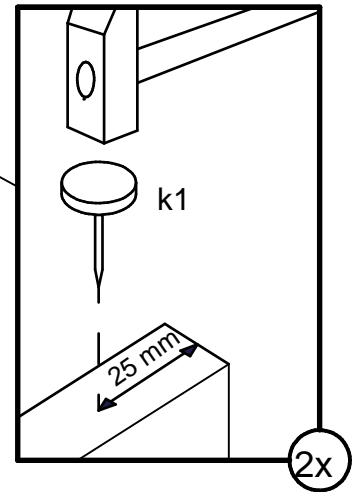
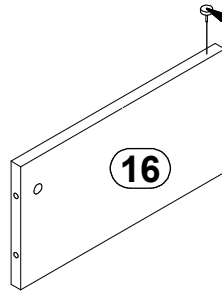
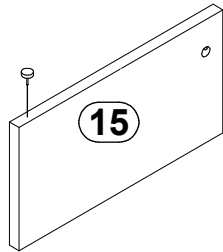
2x 192mm c531	10x d41\2	6x Ø7x50 mm e1	4x M6x35 mm j115	24x Ø6x13 mm e3	32x Ø6.3x16 mm e7	50x Ø8x30 mm f1	8x Ø6.5x40 mm f25	12x M4x12 mm j45\1
6x j45\2	9x Ø8x50 mm f6	4x M6x65 mm j132	6x k1	2x k24\3	2x k24\2	4x k24\4	8x l2	2x n34\1
2x n34\2	2x 130x34x34\2 mm n63	4x Ø10x25.2x20 mm o89	16x Ø4x40 mm p10	4x Ø4x50 mm p12	6x Ø3.5x25 mm p16	2x Ø3.5x16 mm p25	2x Ø3.5x10 mm p35	56x Ø3.5x16 mm p38
4x Ø3.5x15 mm p51	46x Ø15x12 mm #16 r1	4x r10	8x Ø12x10.5 mm #12 r15	46x r42	4x Ø10x16 mm r43	2x 350 mm t35	2x 350 mm w167\L	2x 350 mm w167\P
1x z1	1x n231\L	1x n231\P						



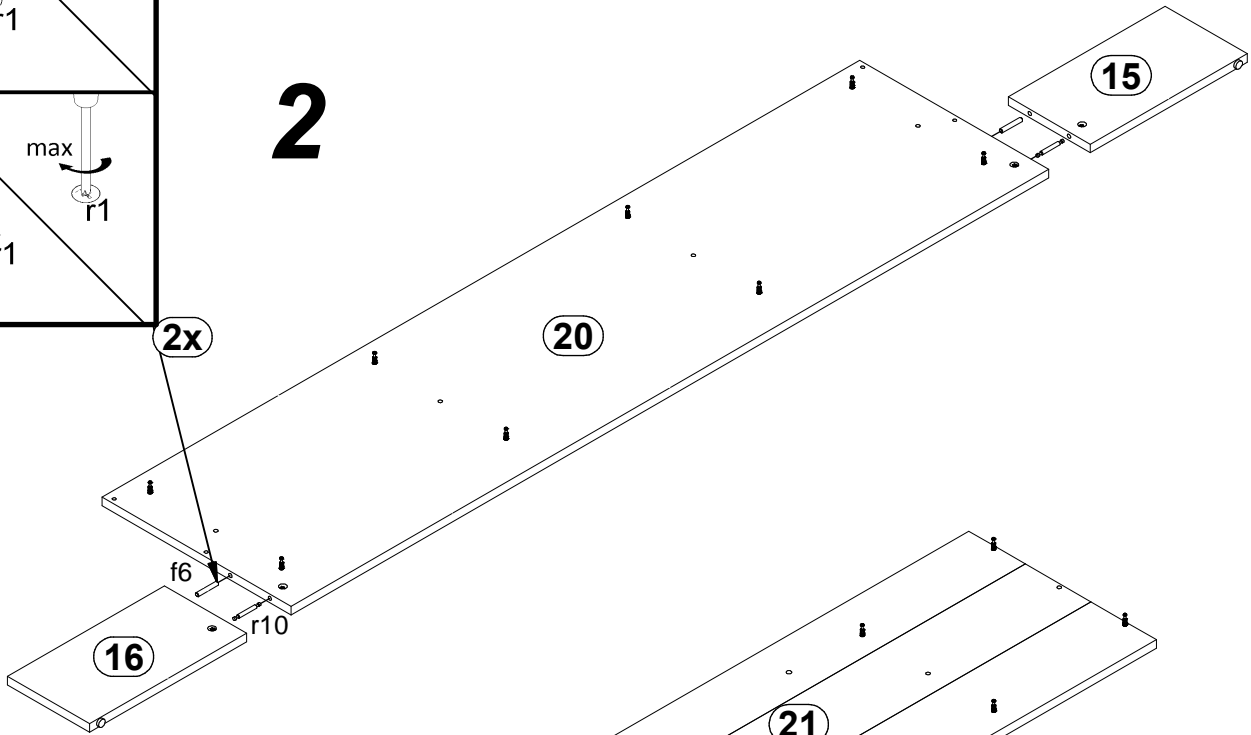
A**A=130 mm****B****B=66 mm**



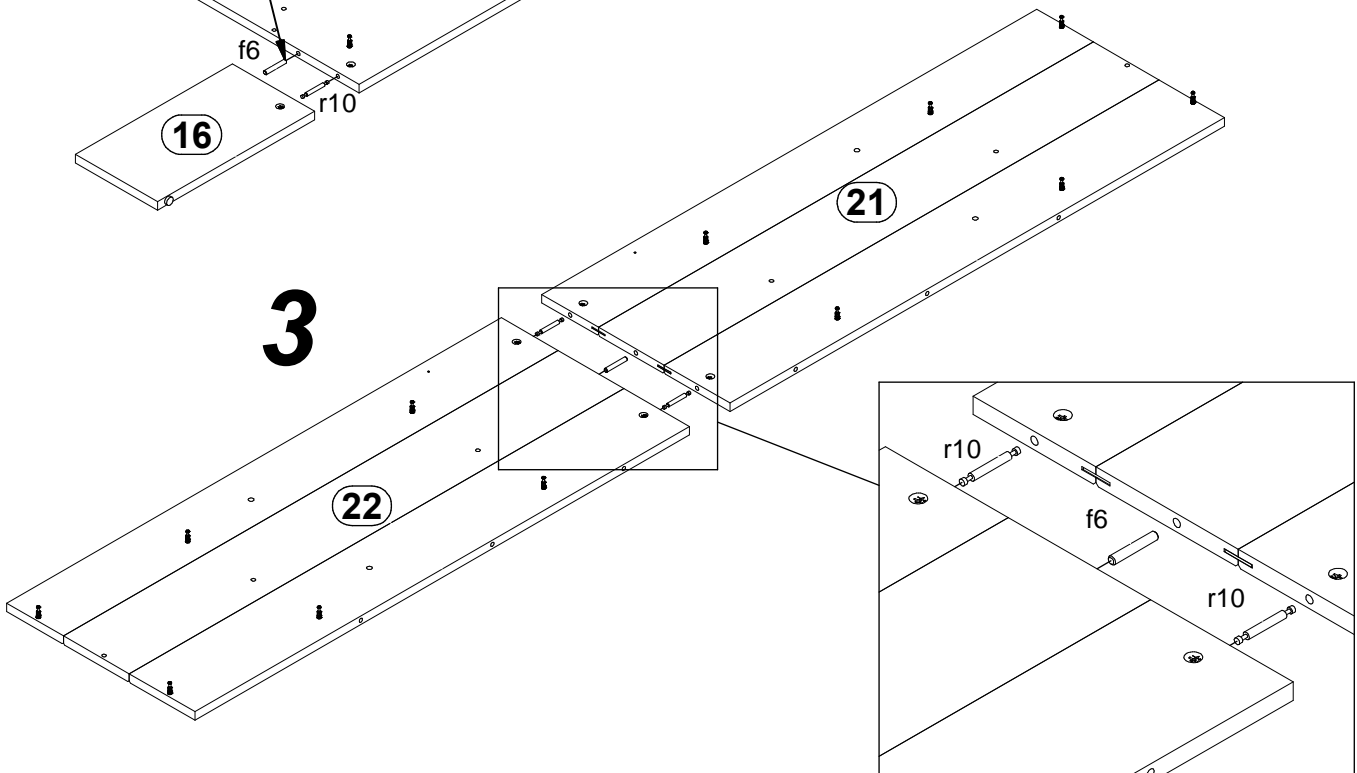
1



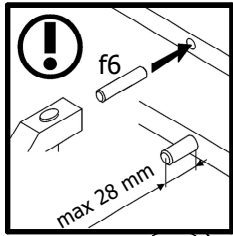
2



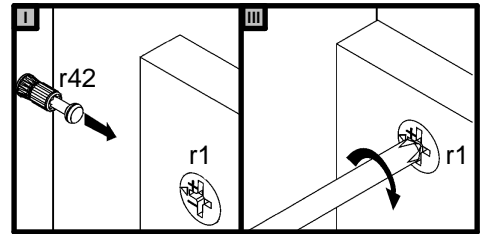
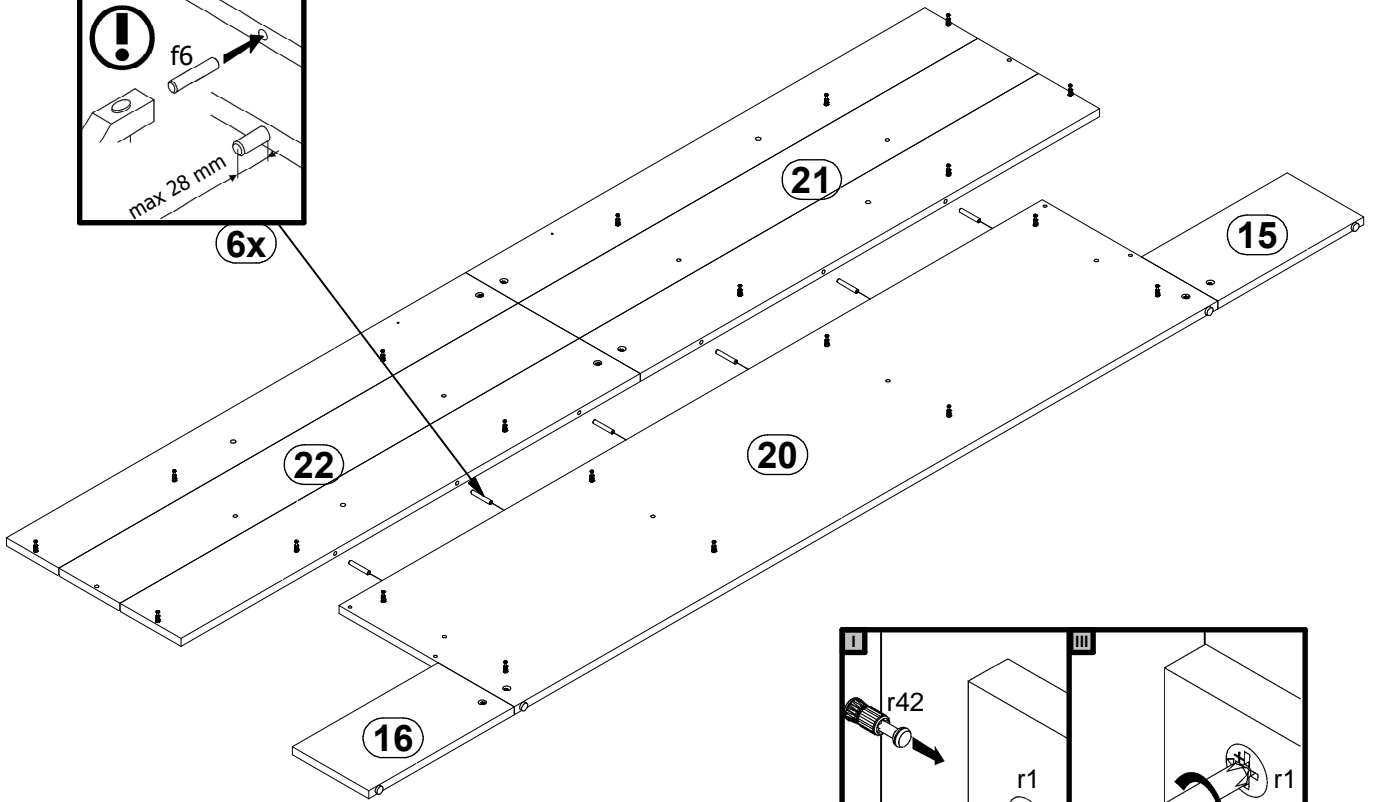
3



4

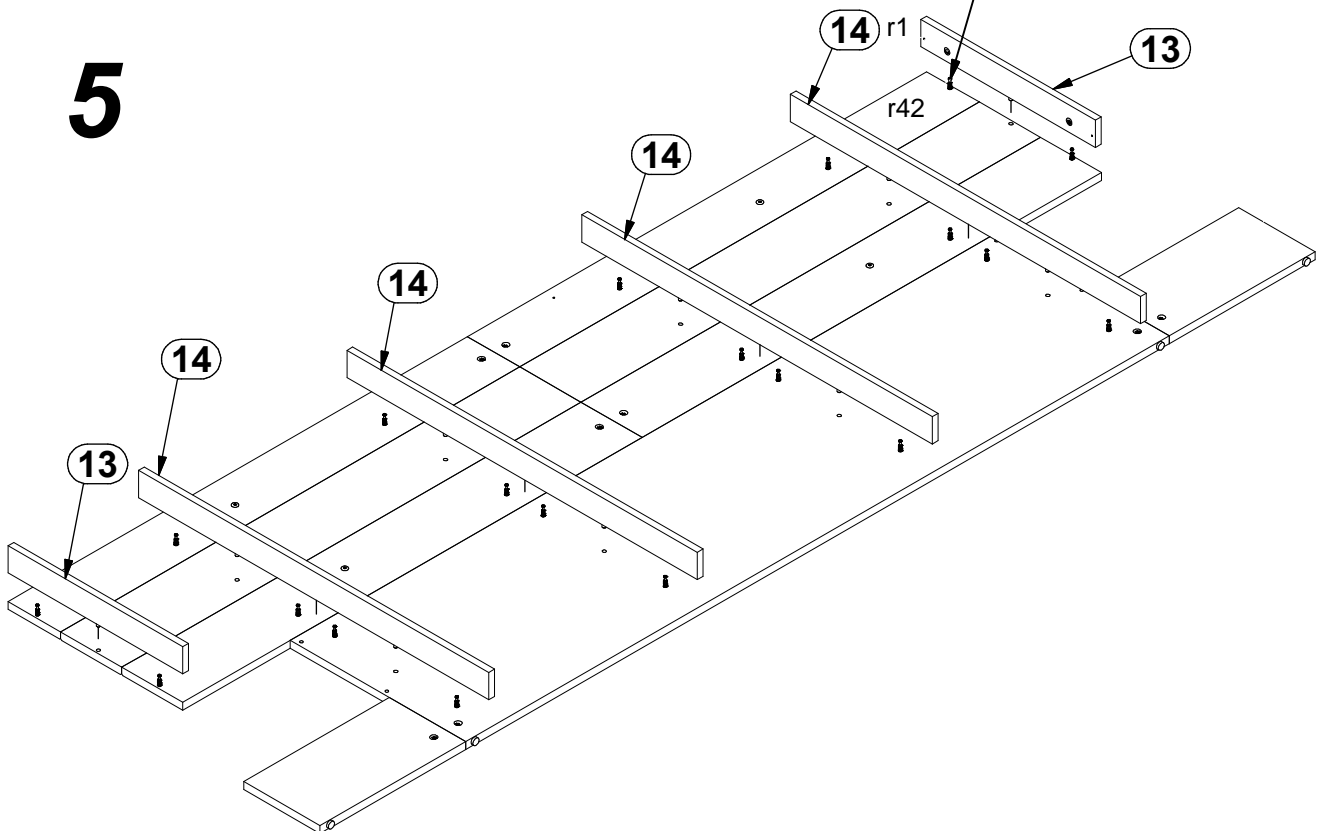


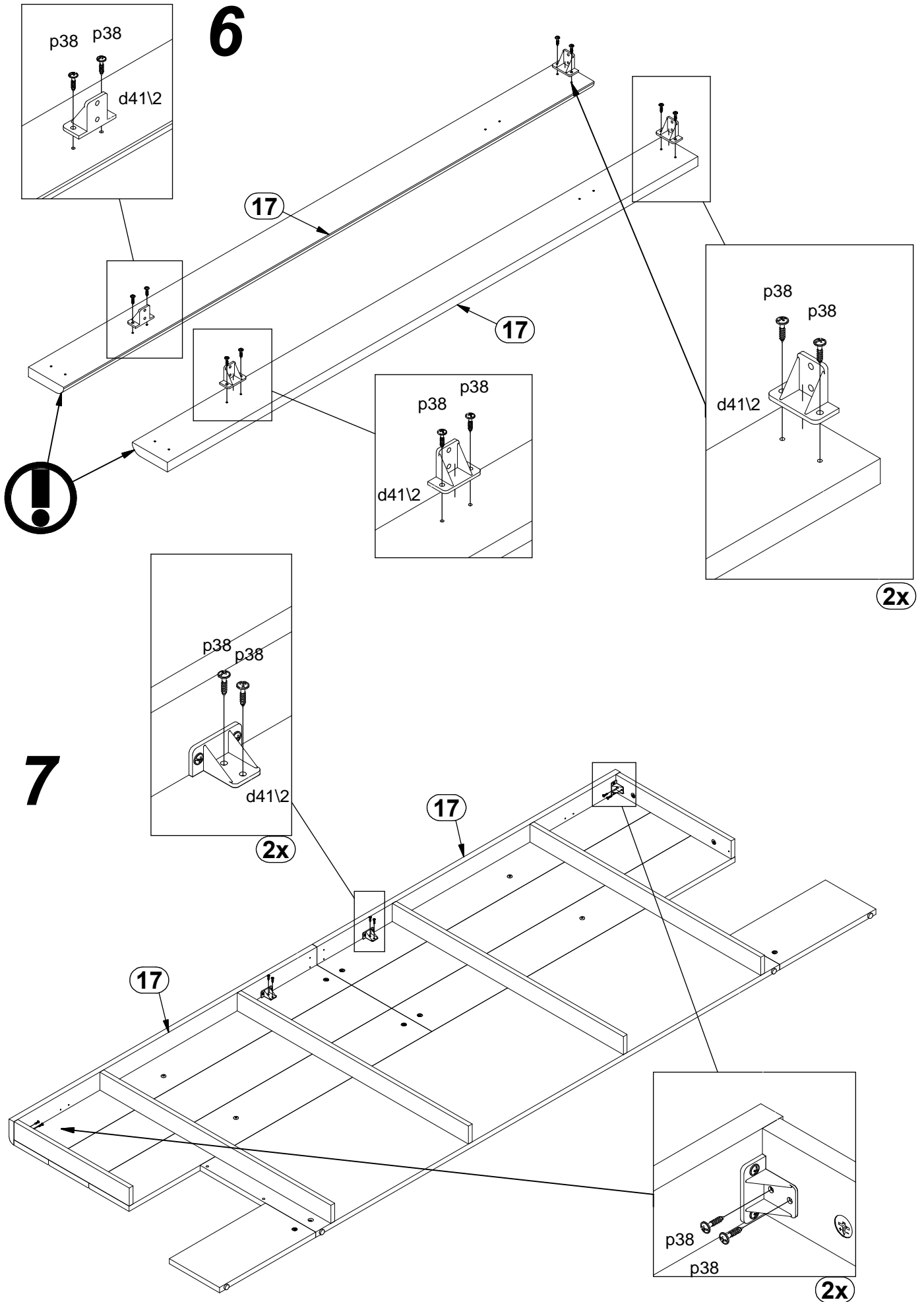
6x



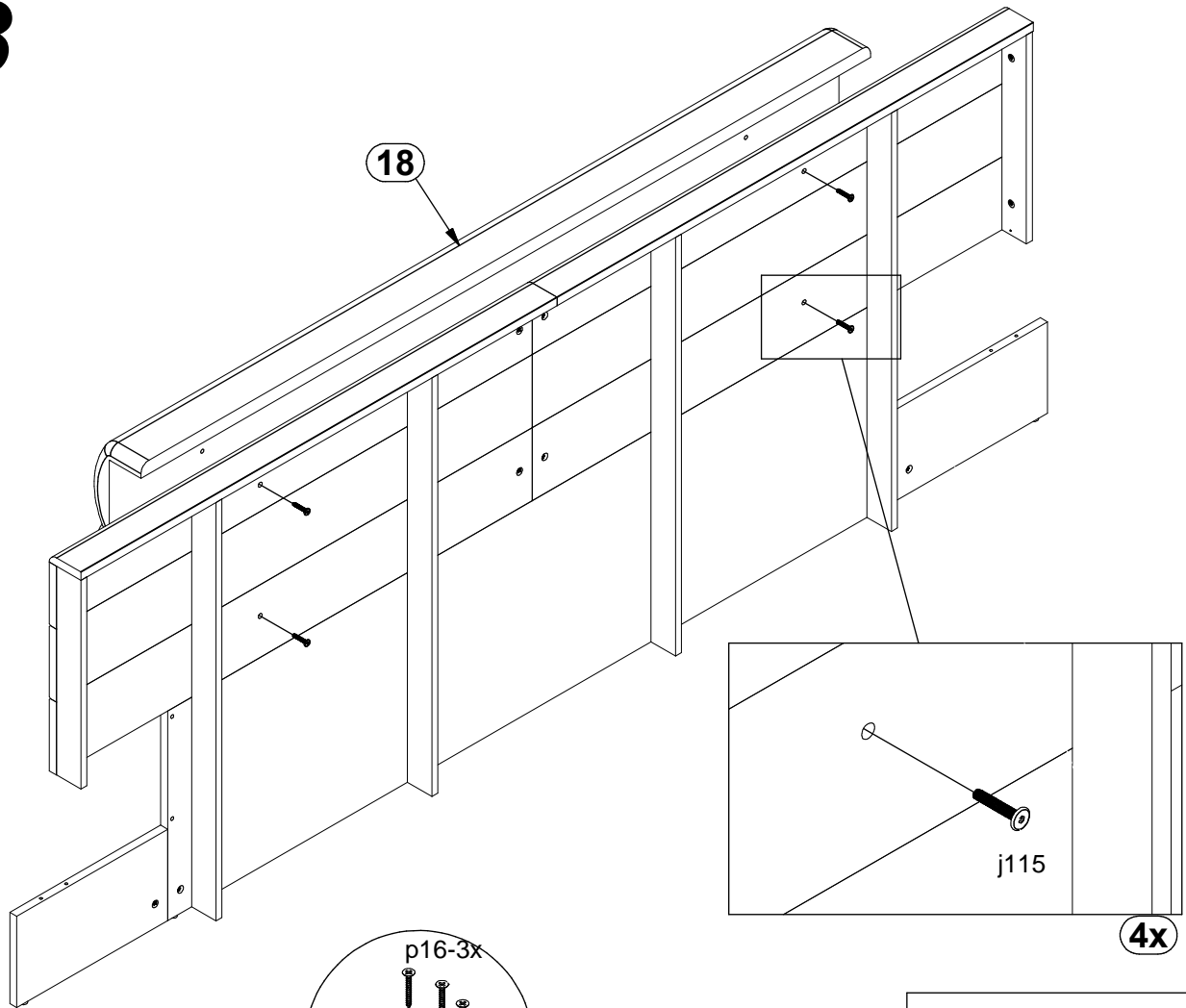
12x

5

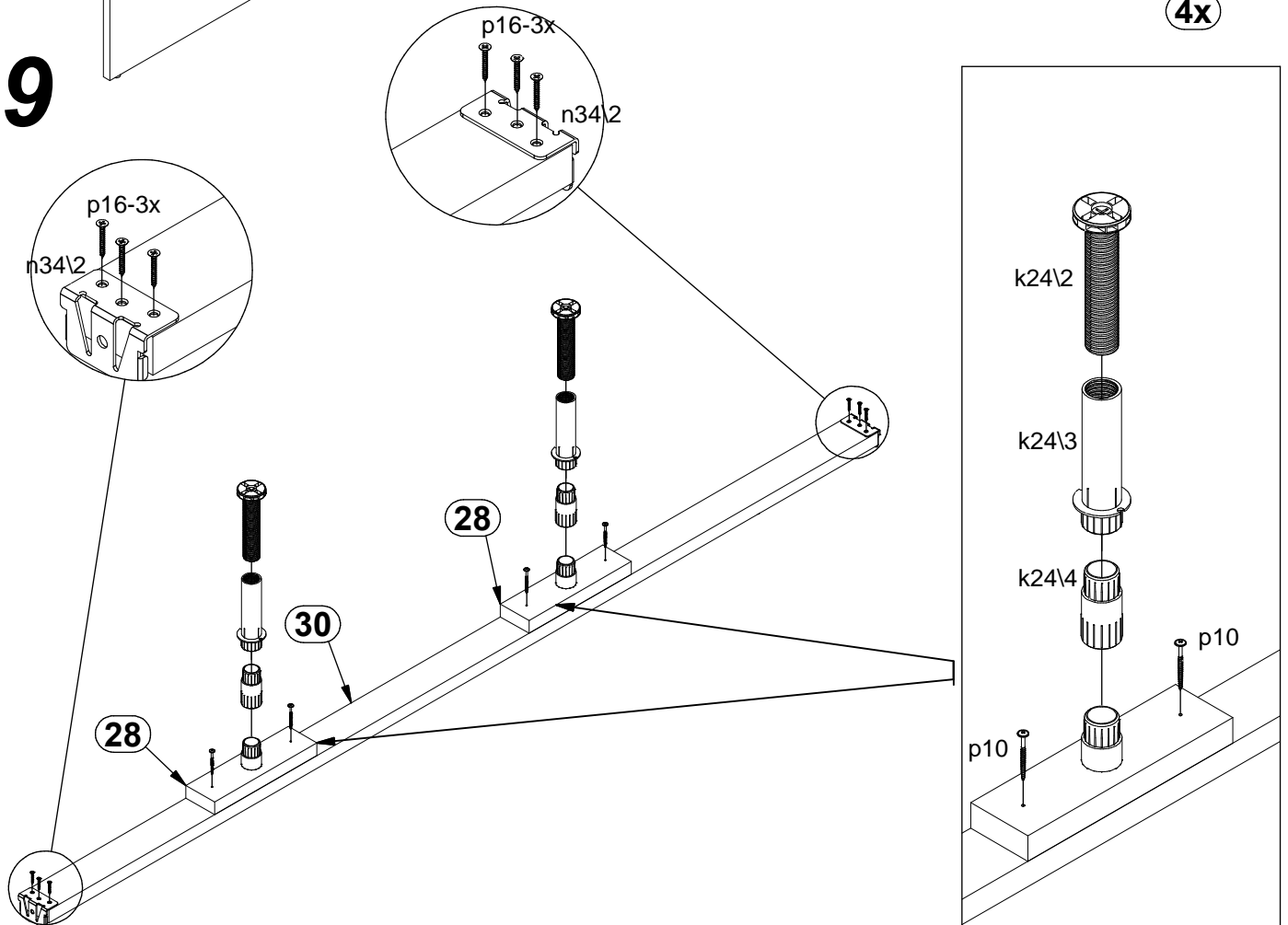




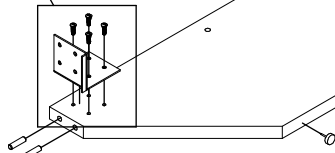
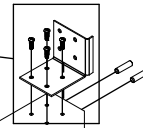
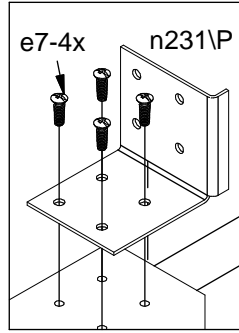
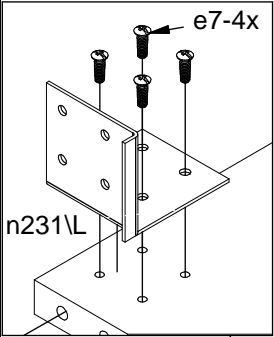
8



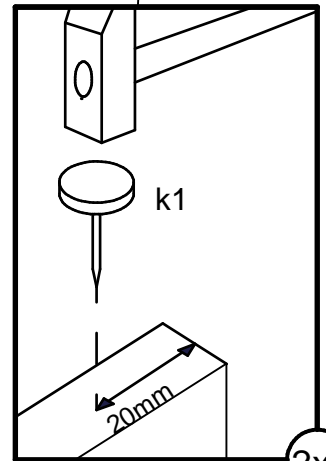
9



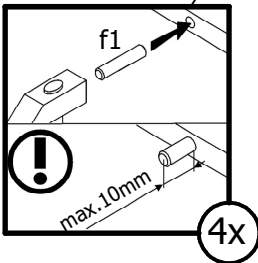
10



3

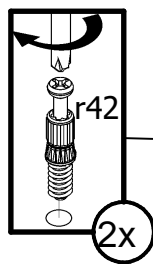


2x

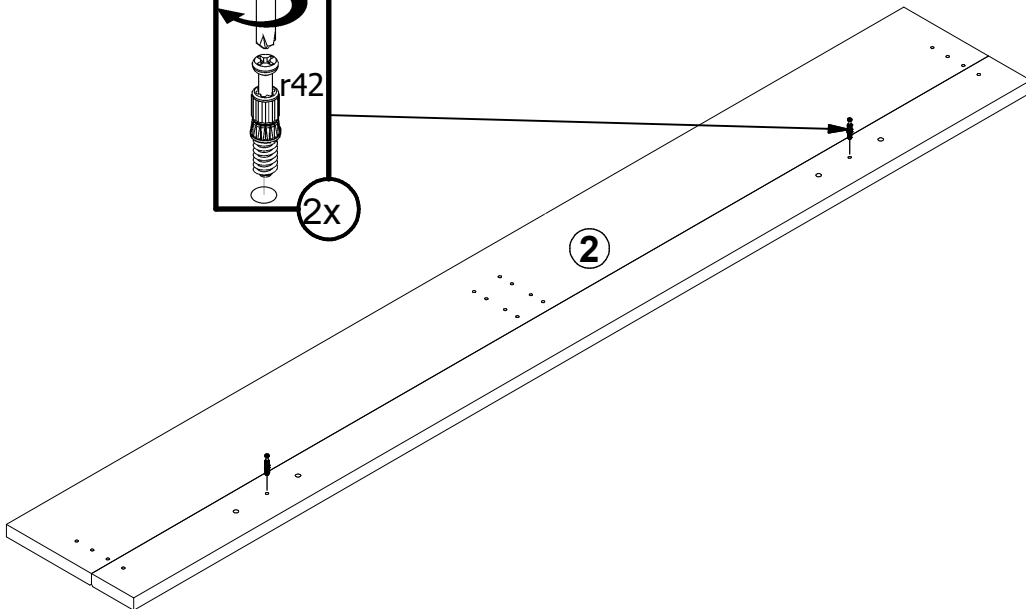


4x

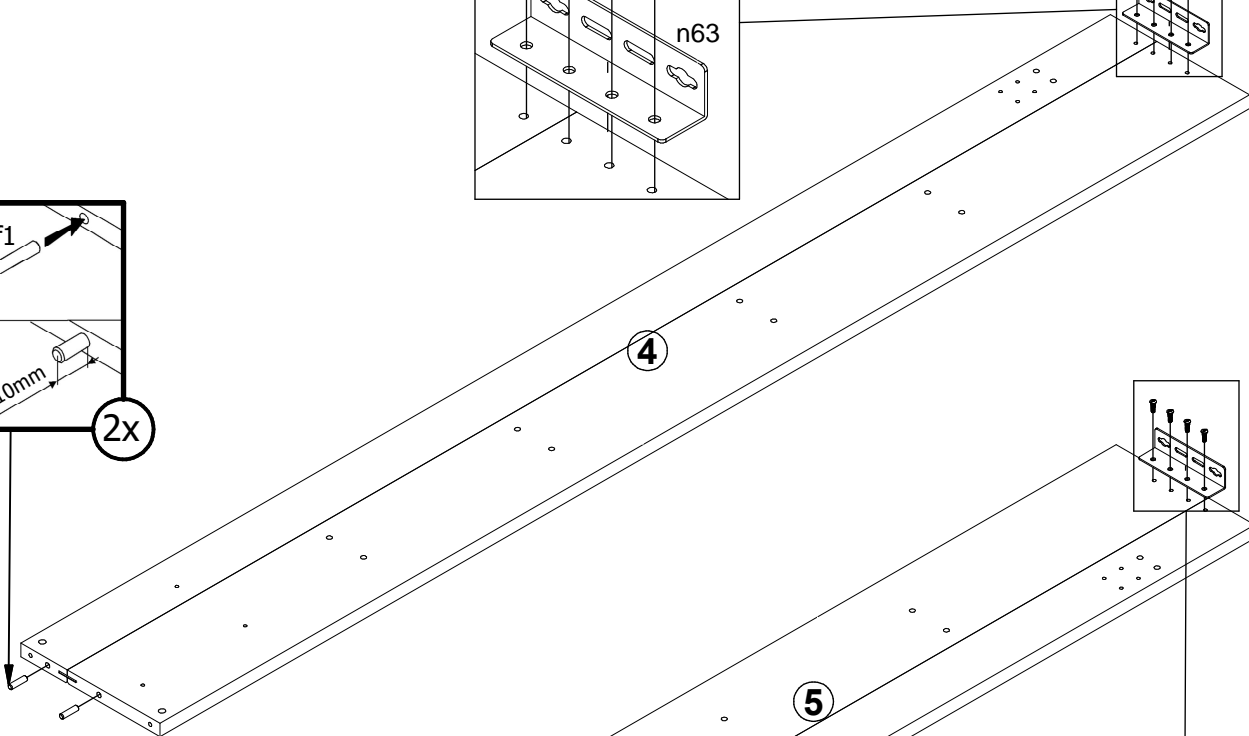
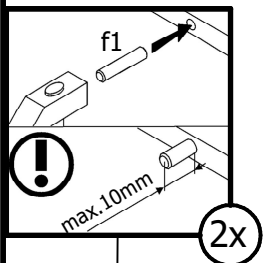
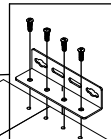
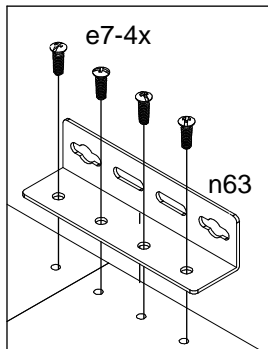
11



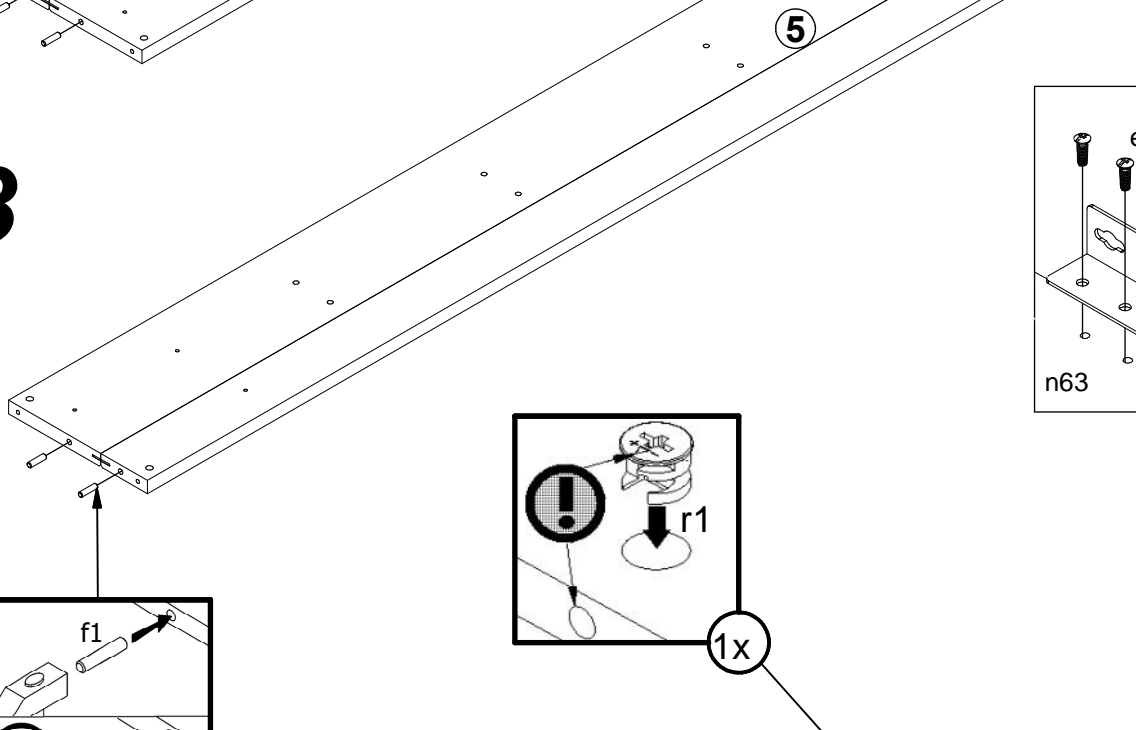
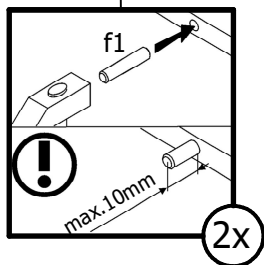
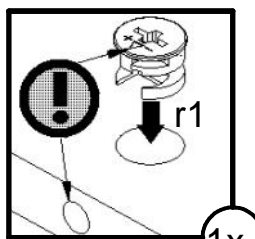
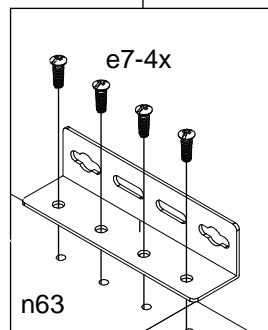
2x



12

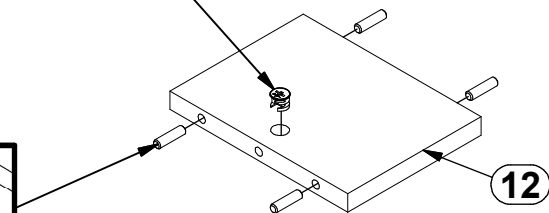
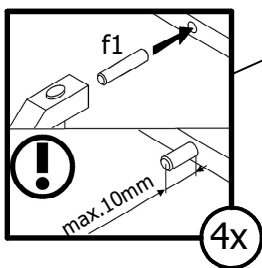


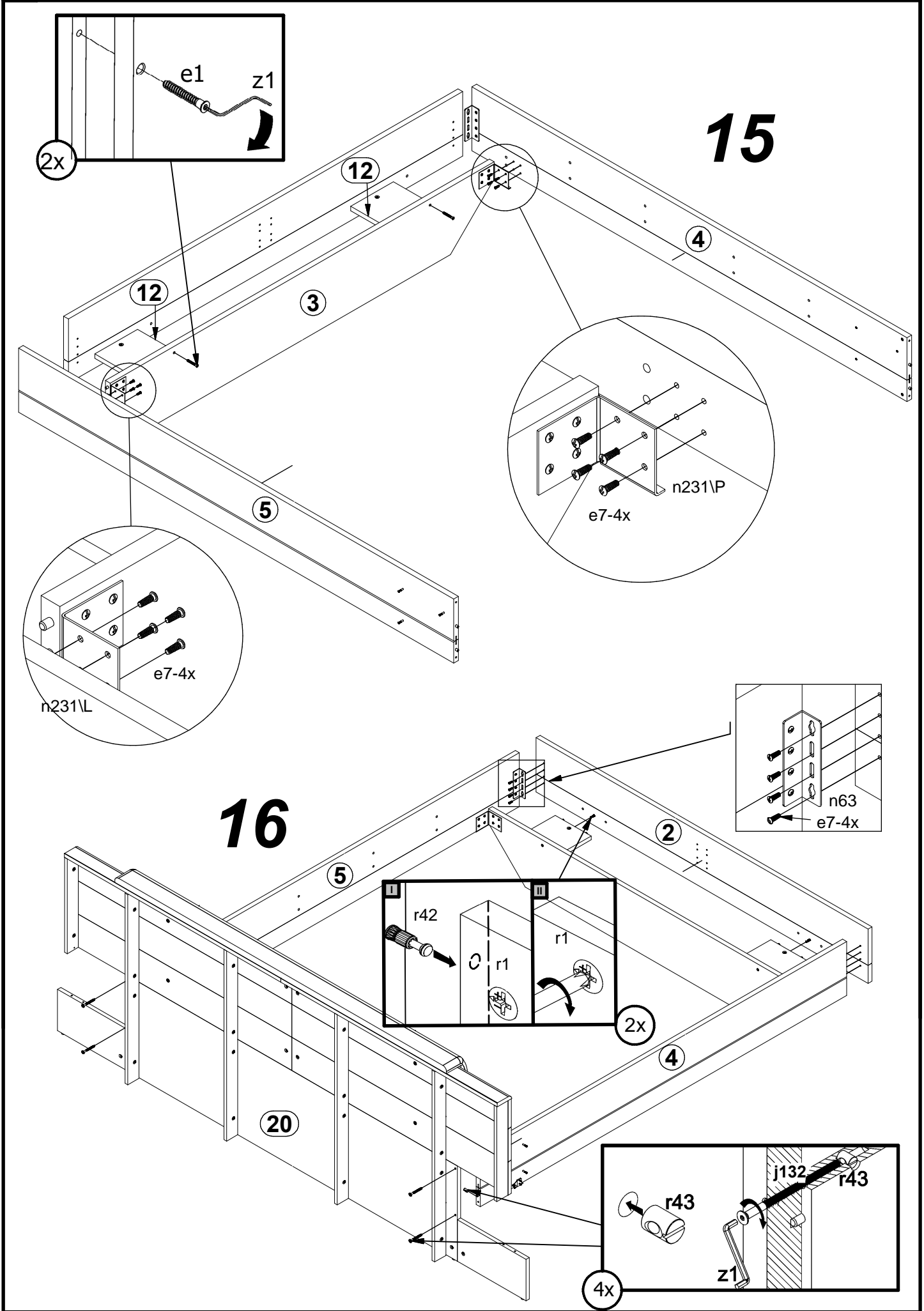
13



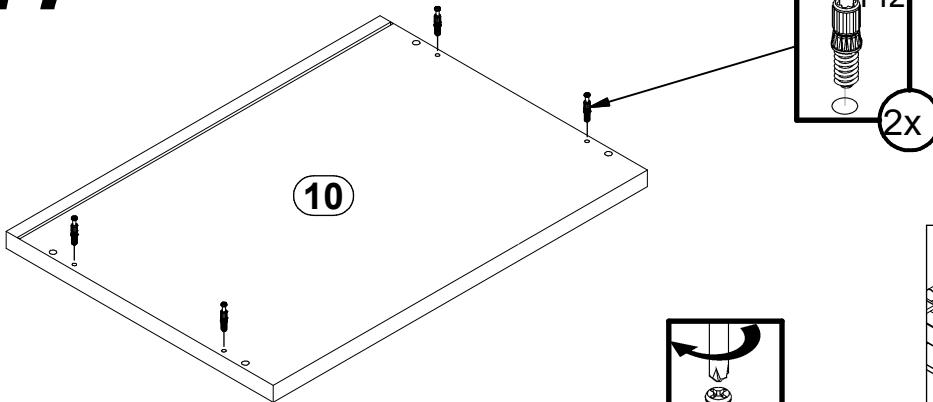
2x

14

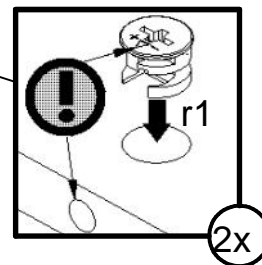
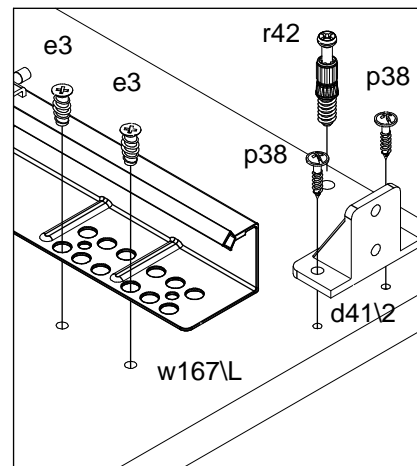
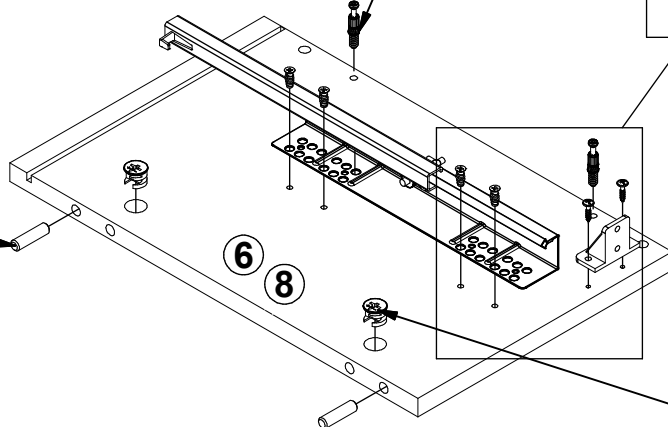
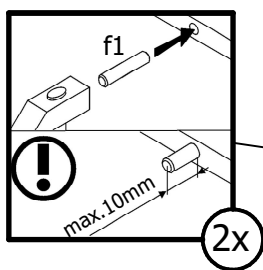




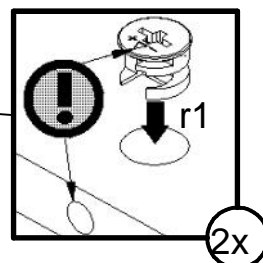
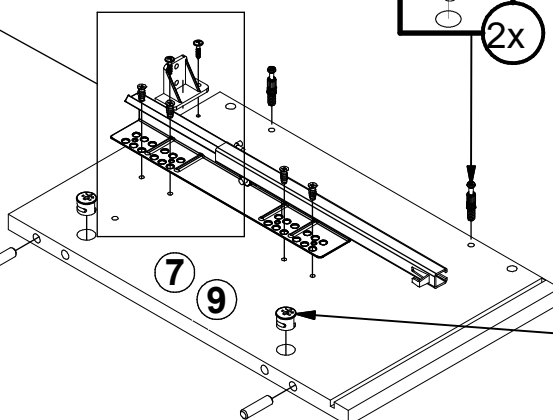
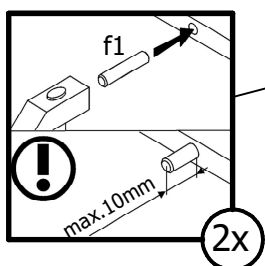
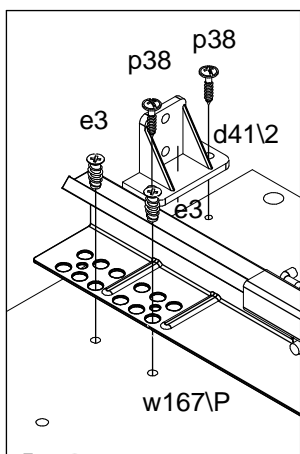
17



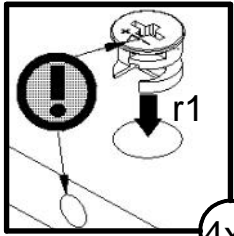
18



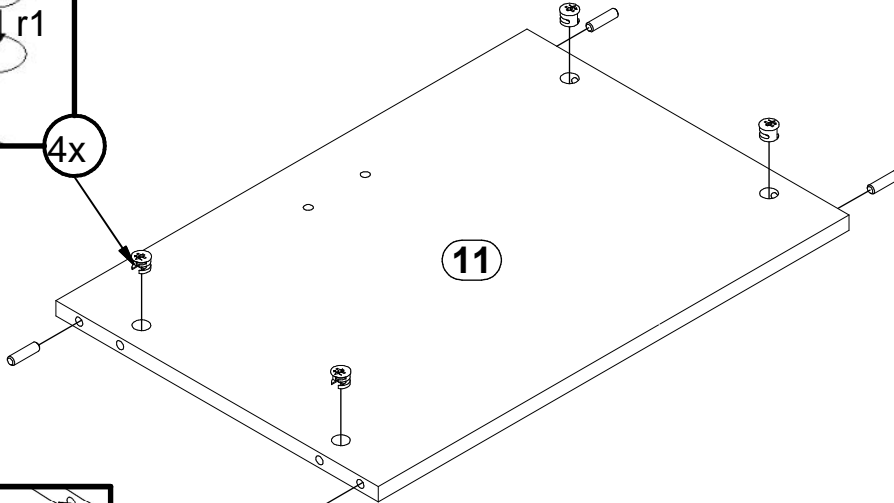
19



20

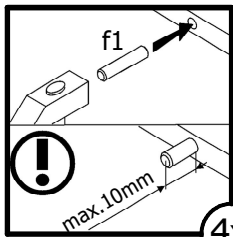


4x

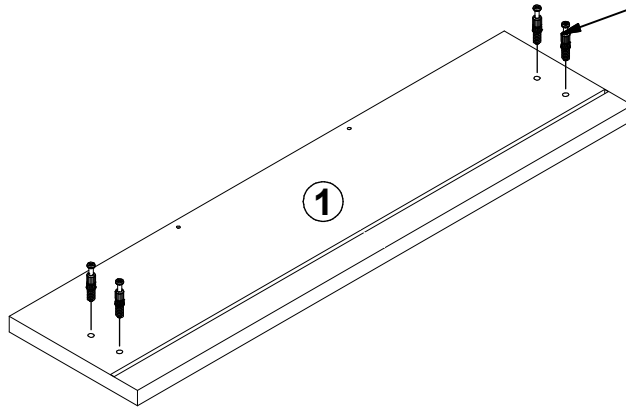


11

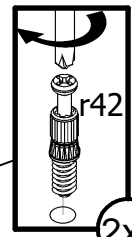
21



4x

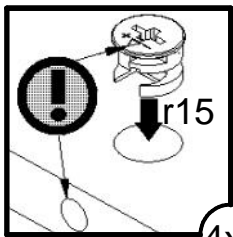


1

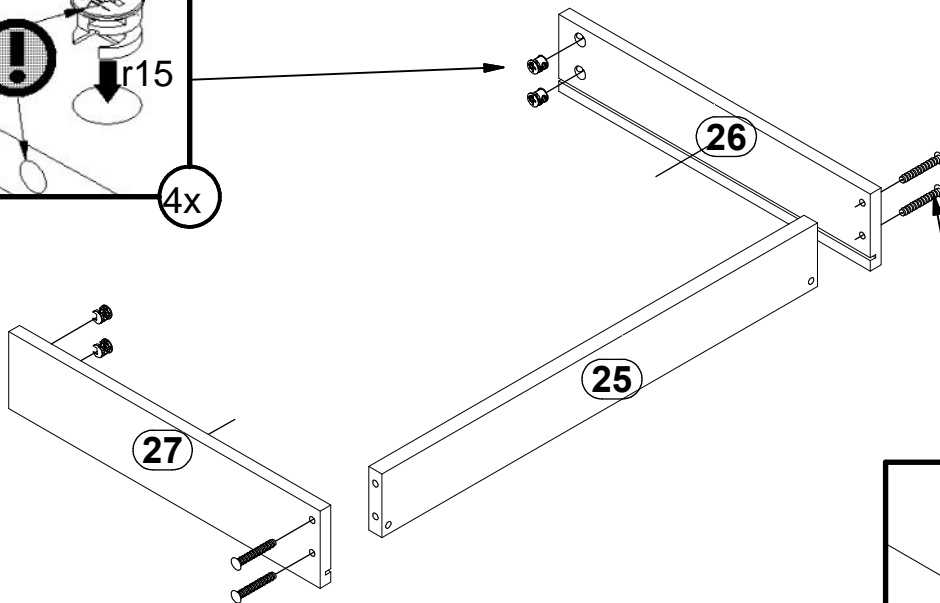


2x

22



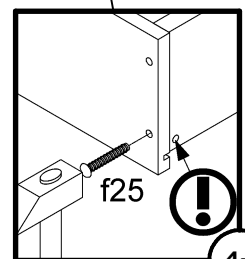
4x



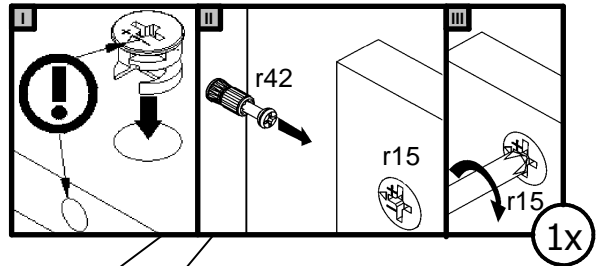
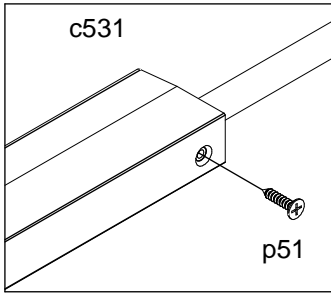
26

25

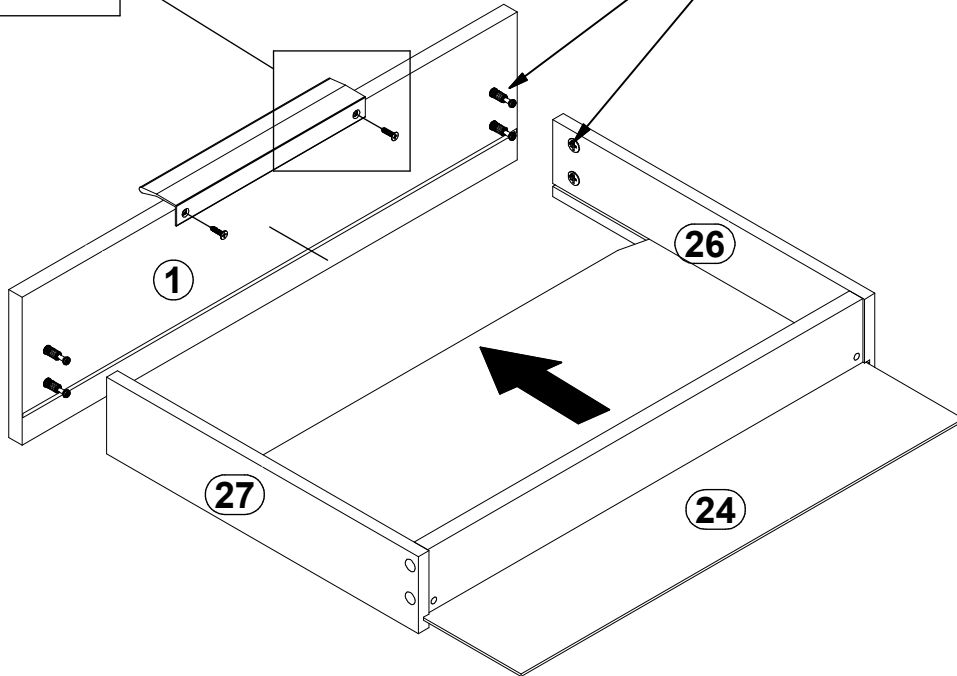
27



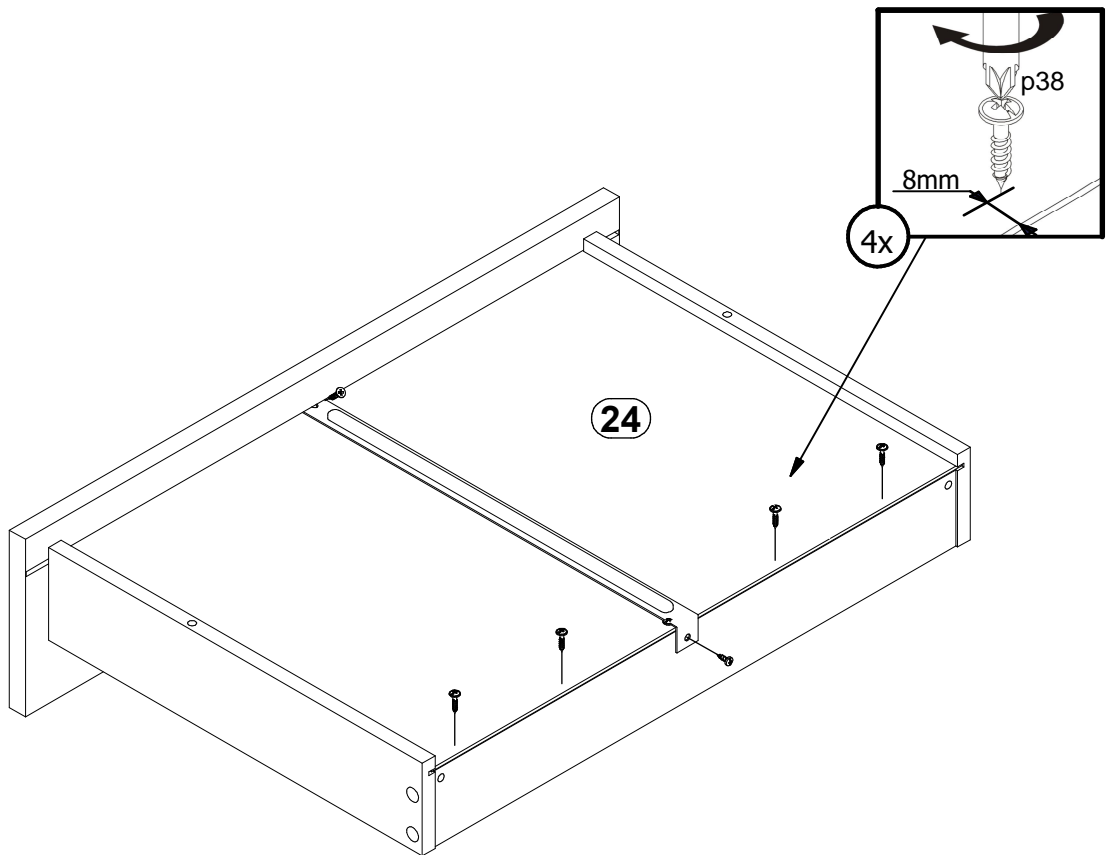
4x



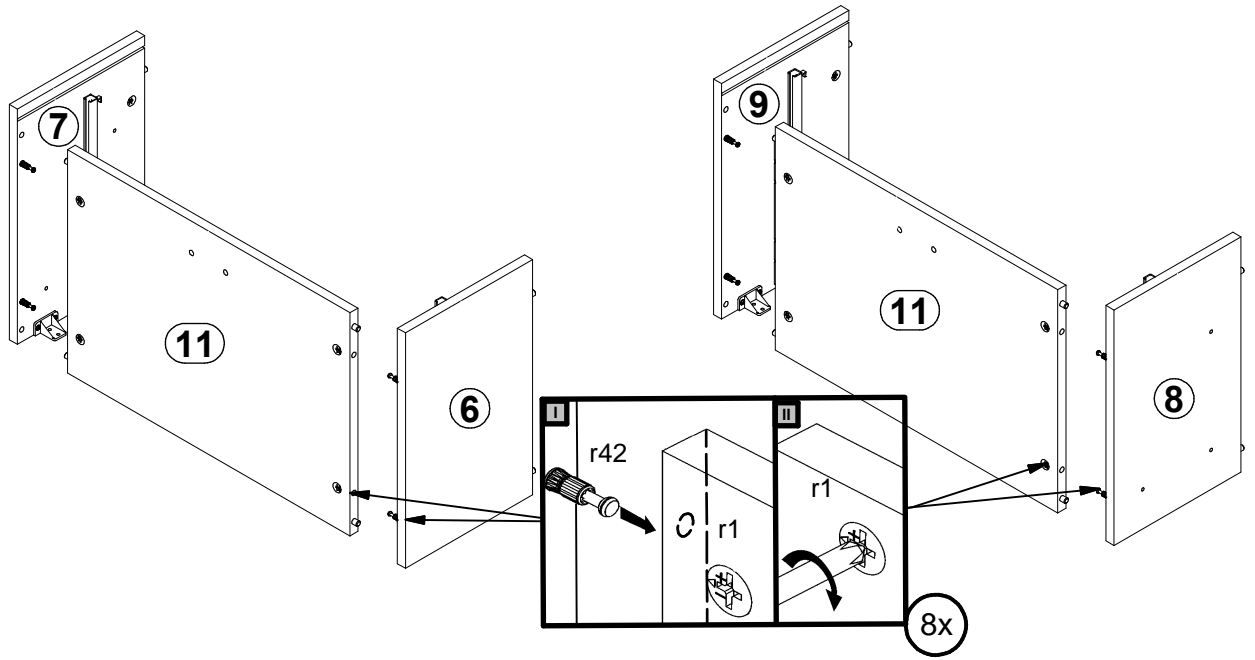
23



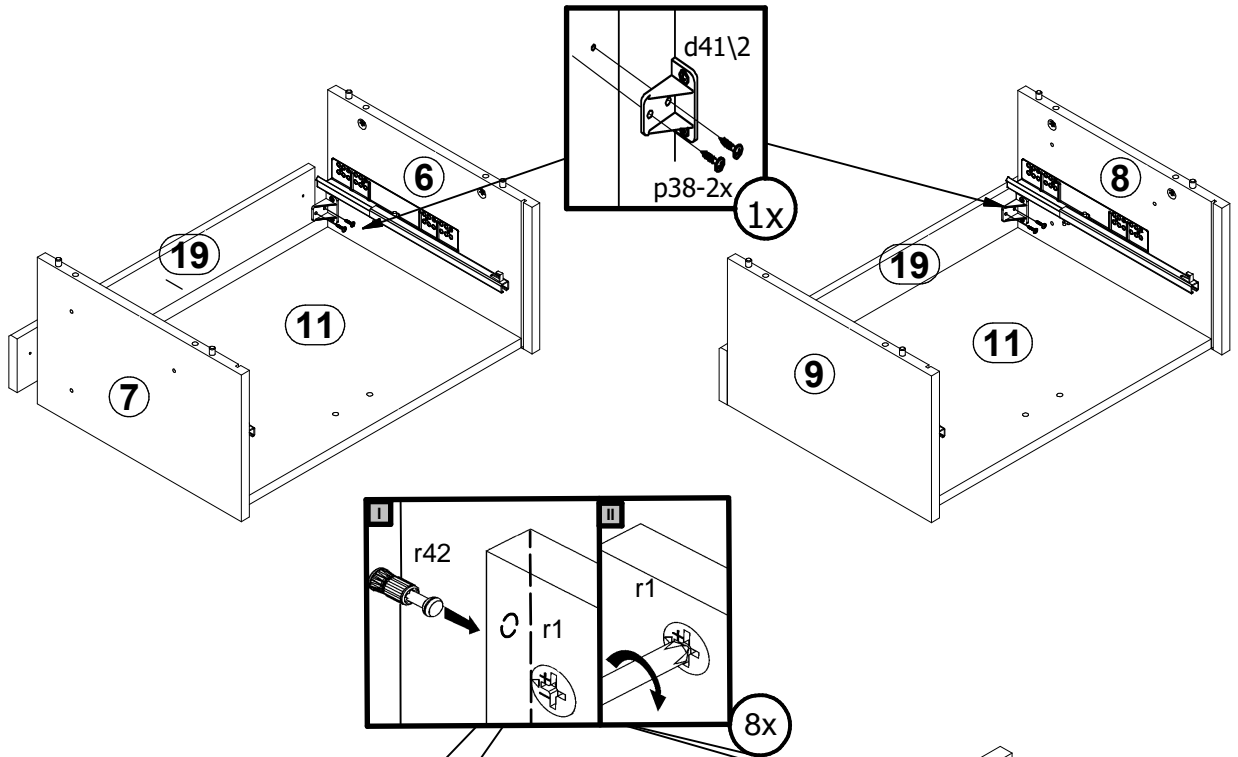
24



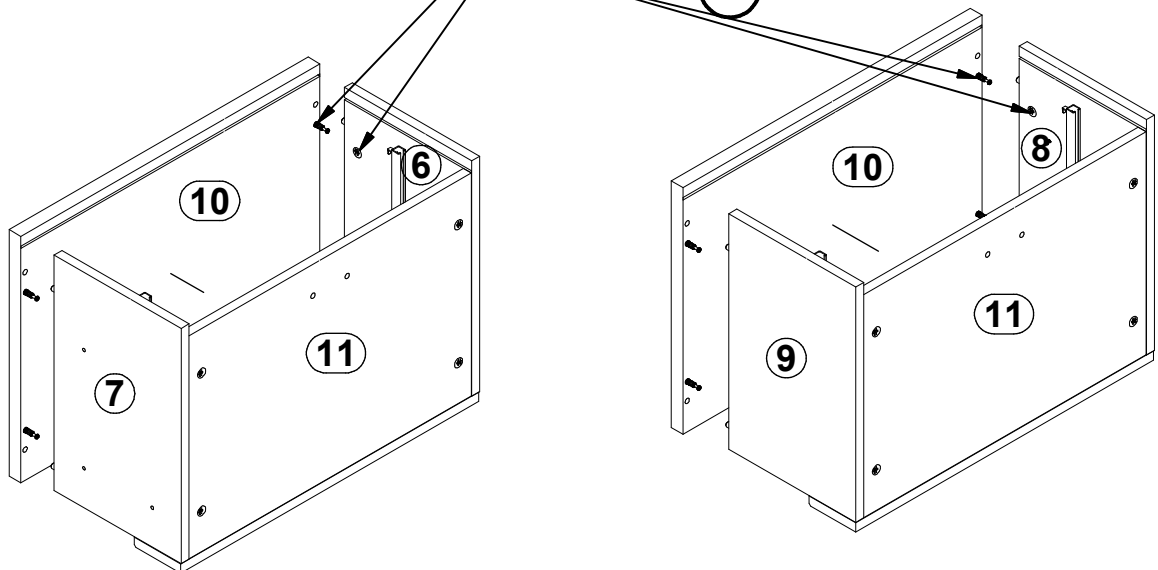
25



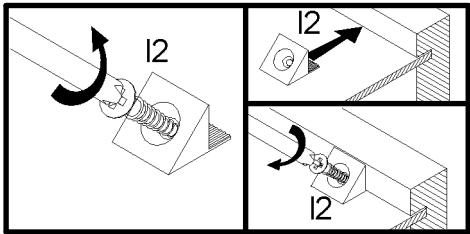
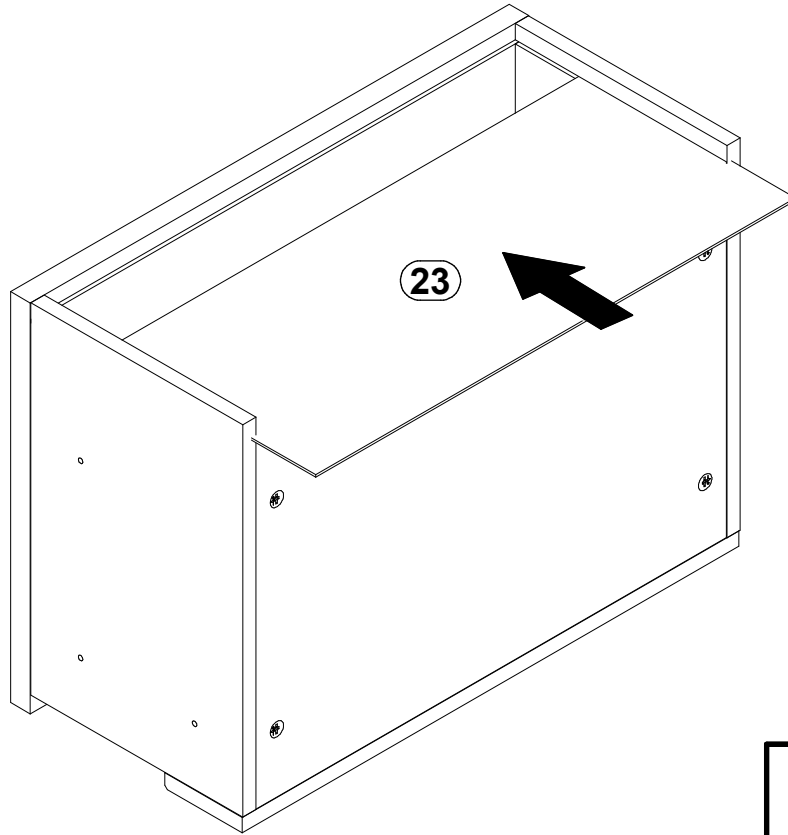
26



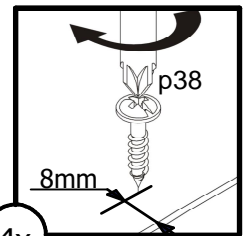
27



28

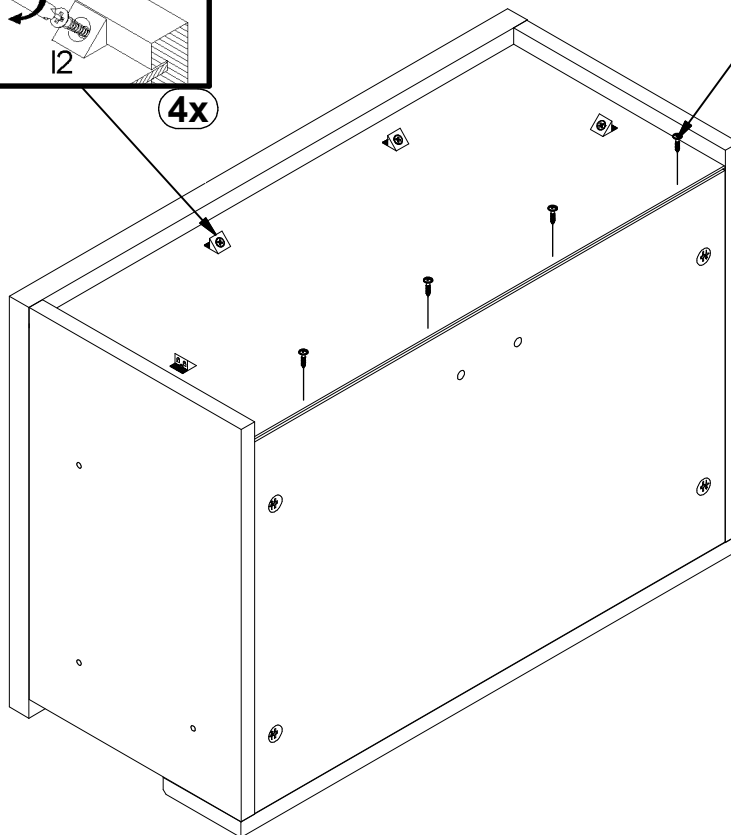


4x

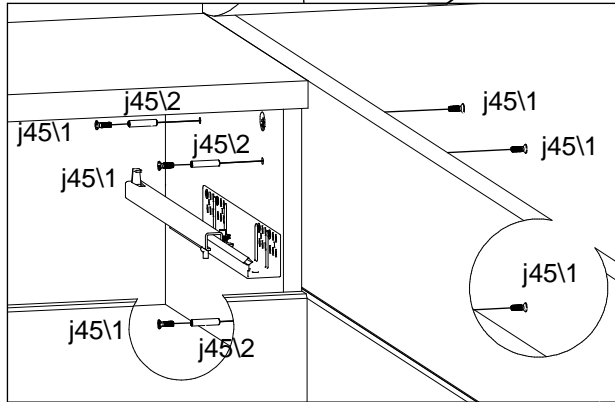
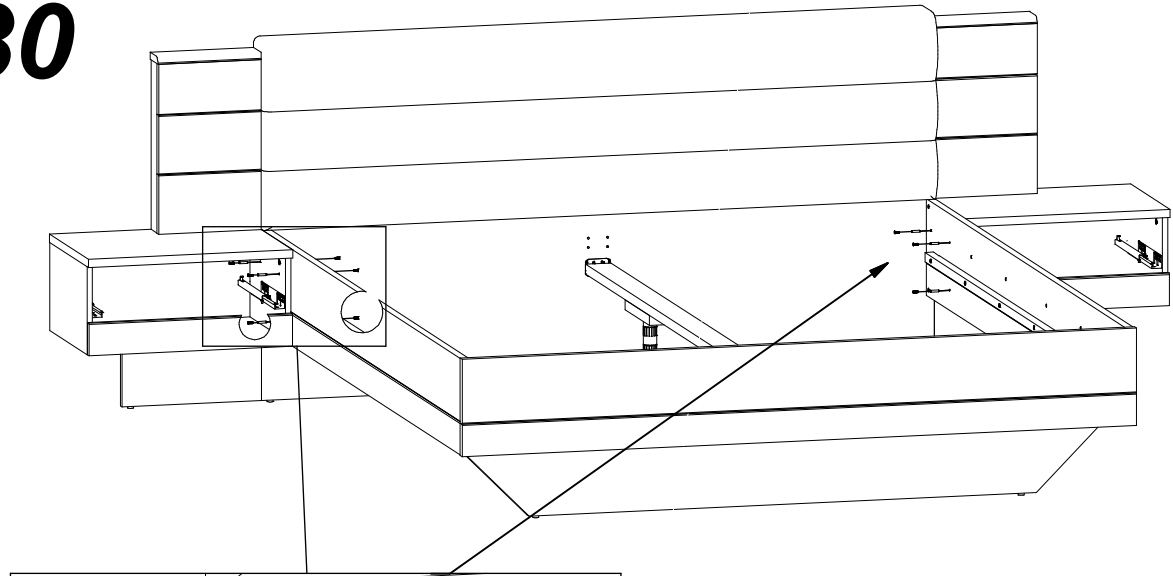


4x

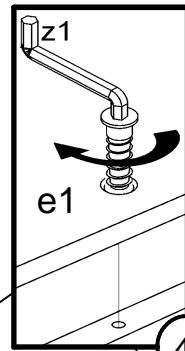
29



30

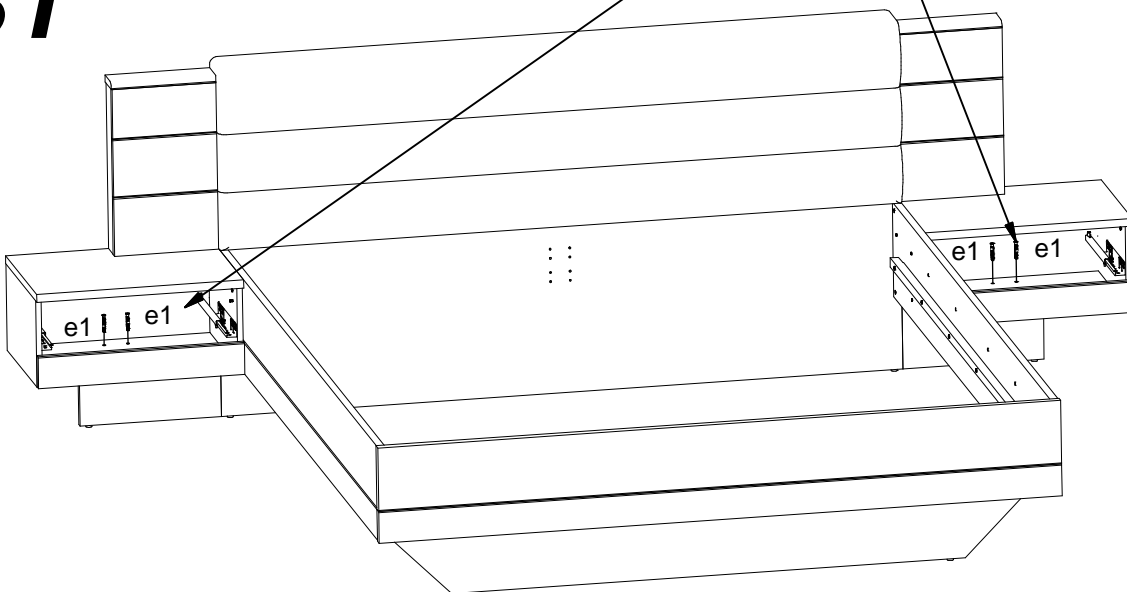


6x

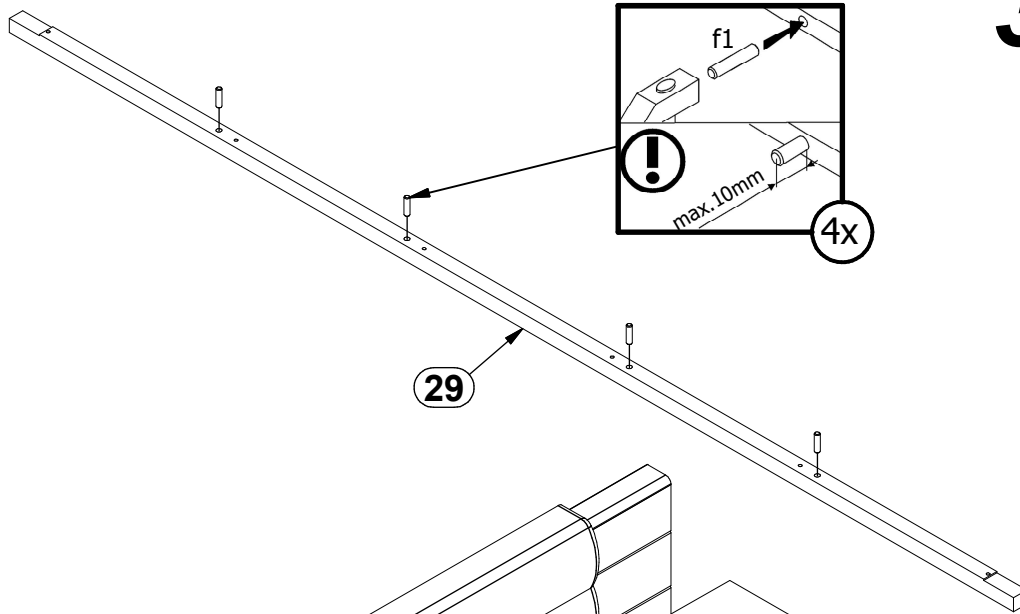


4x

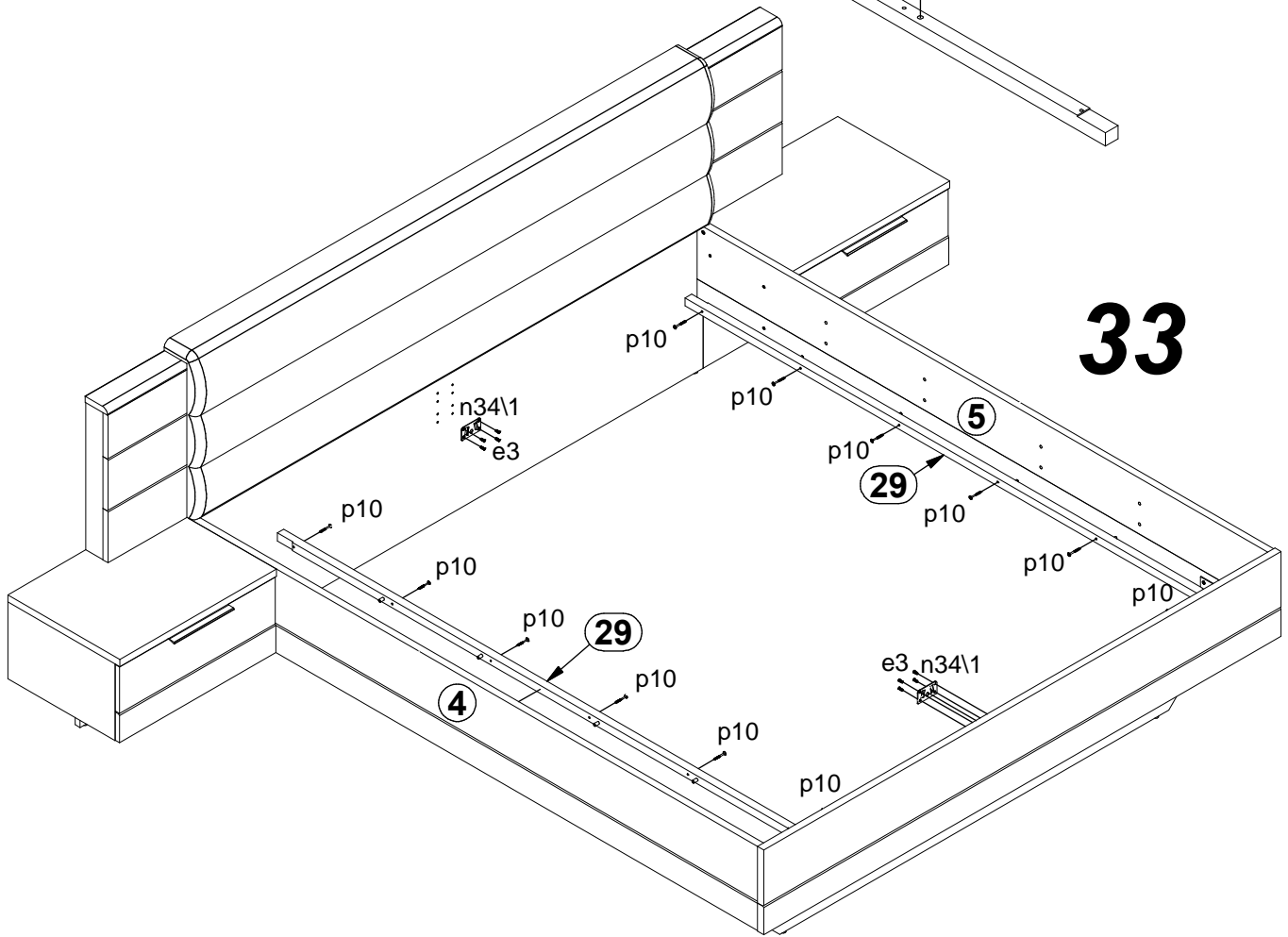
31



32



33

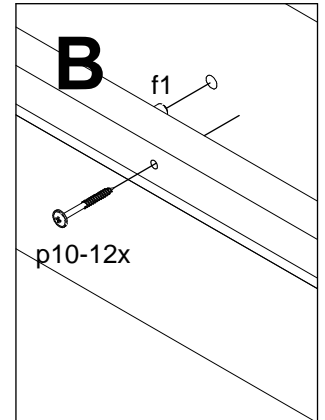
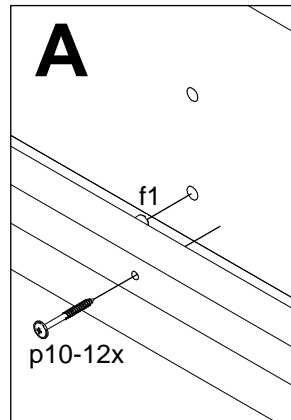
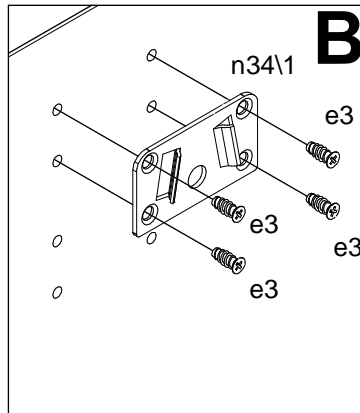
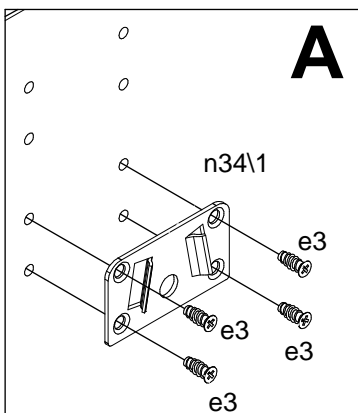


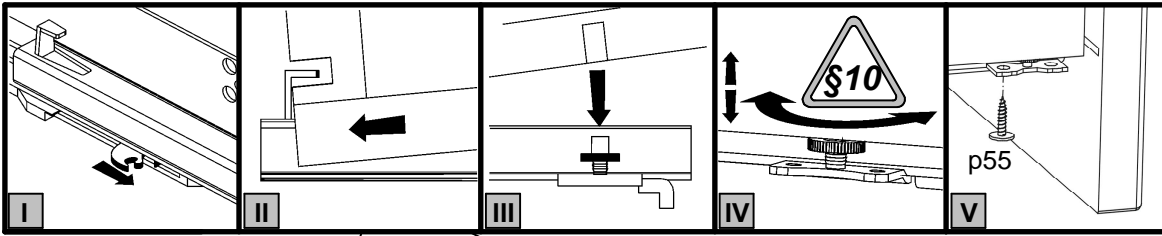
H=130 mm

H=66 mm

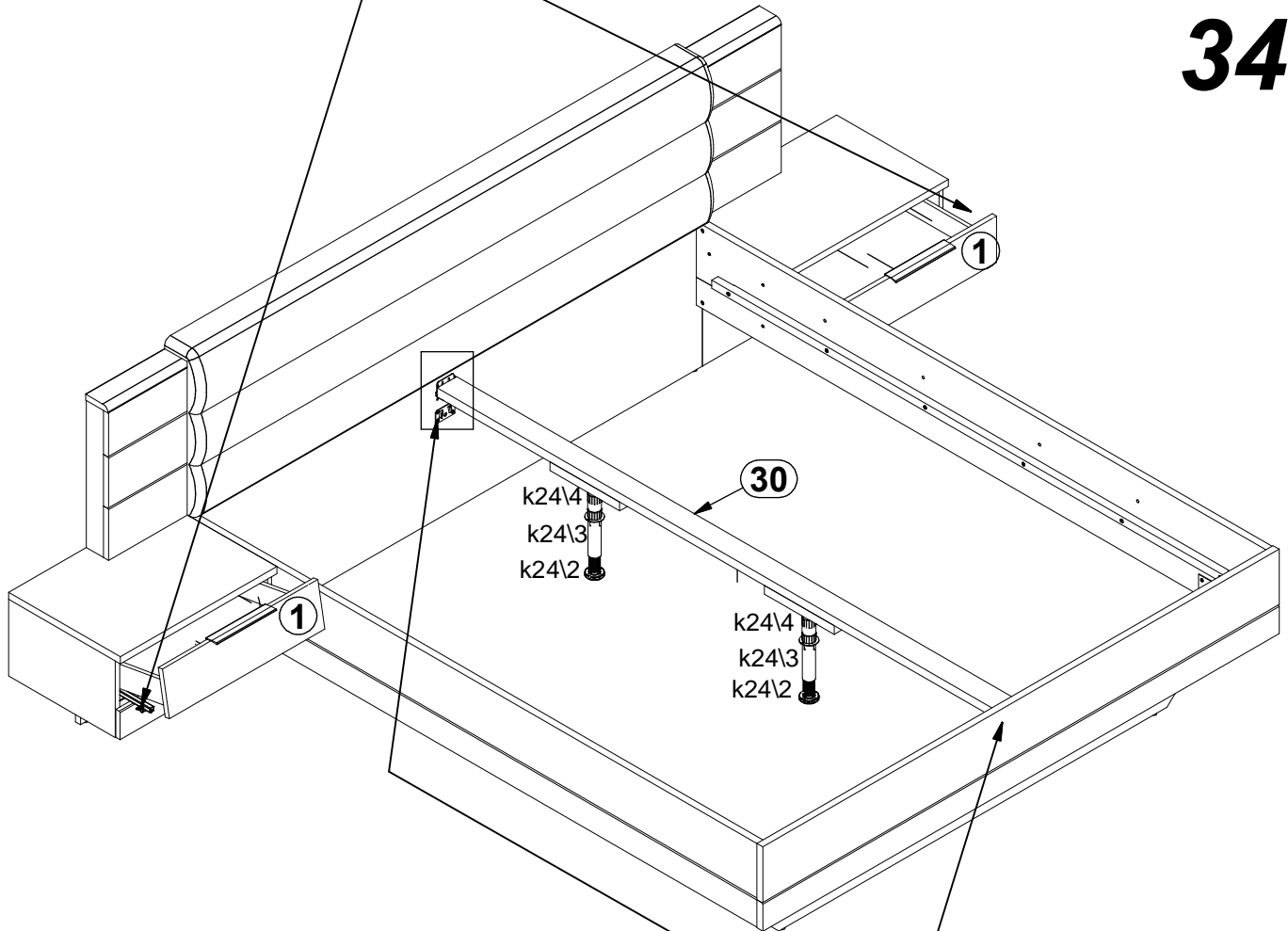
H=130 mm

H=66 mm



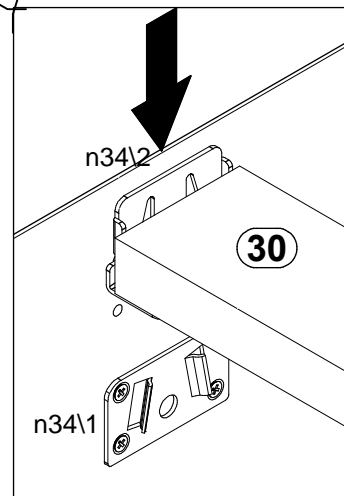
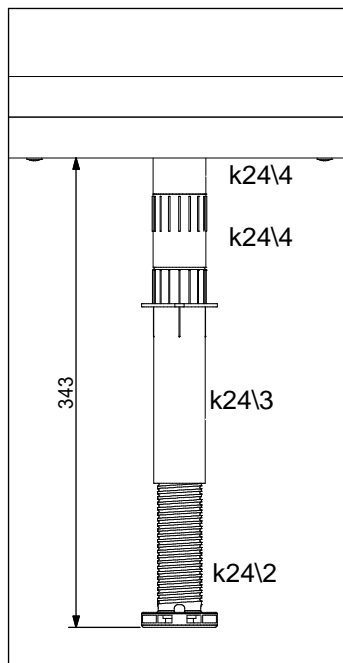
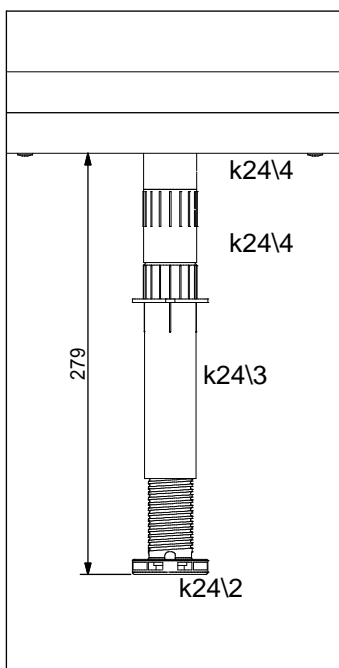


34

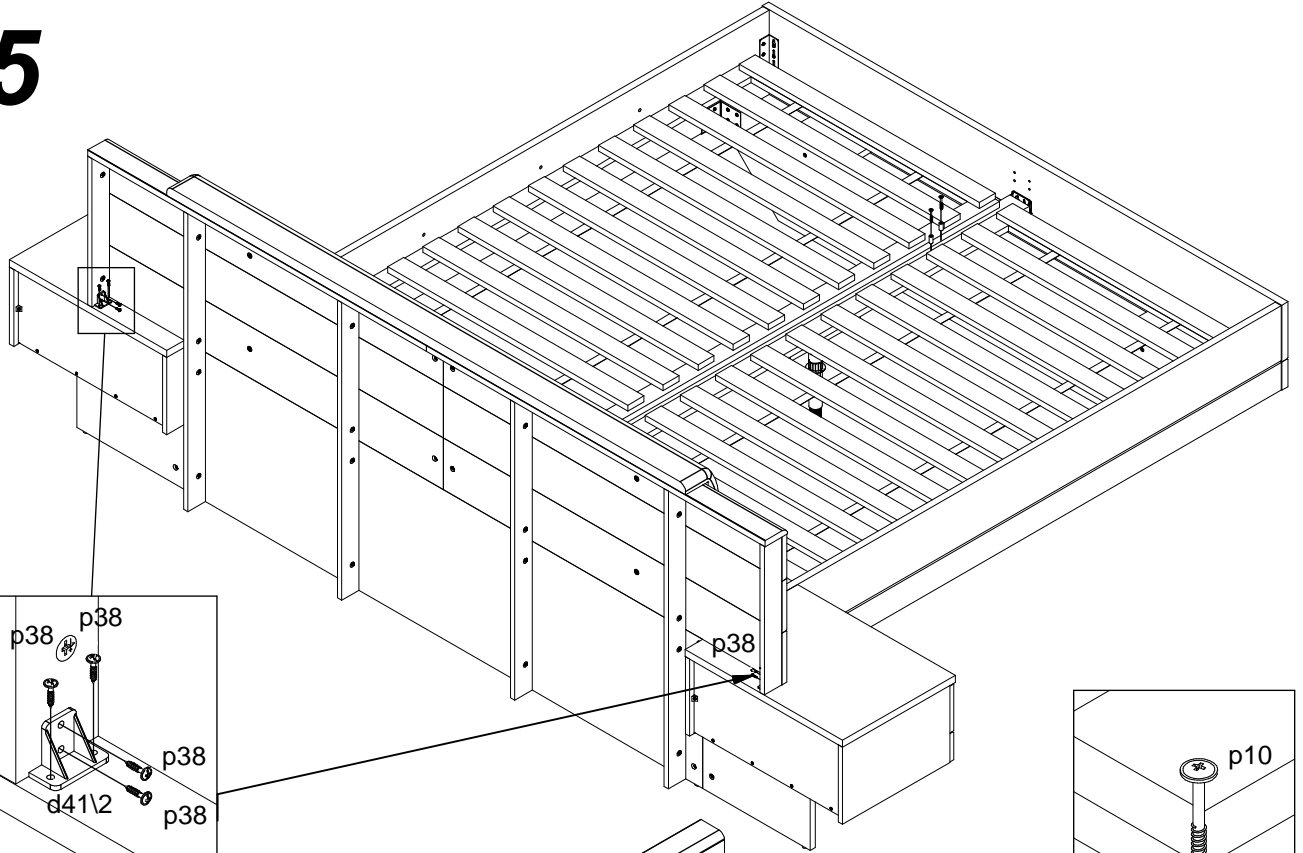


A

B



35



36

