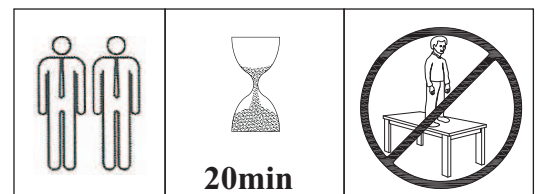
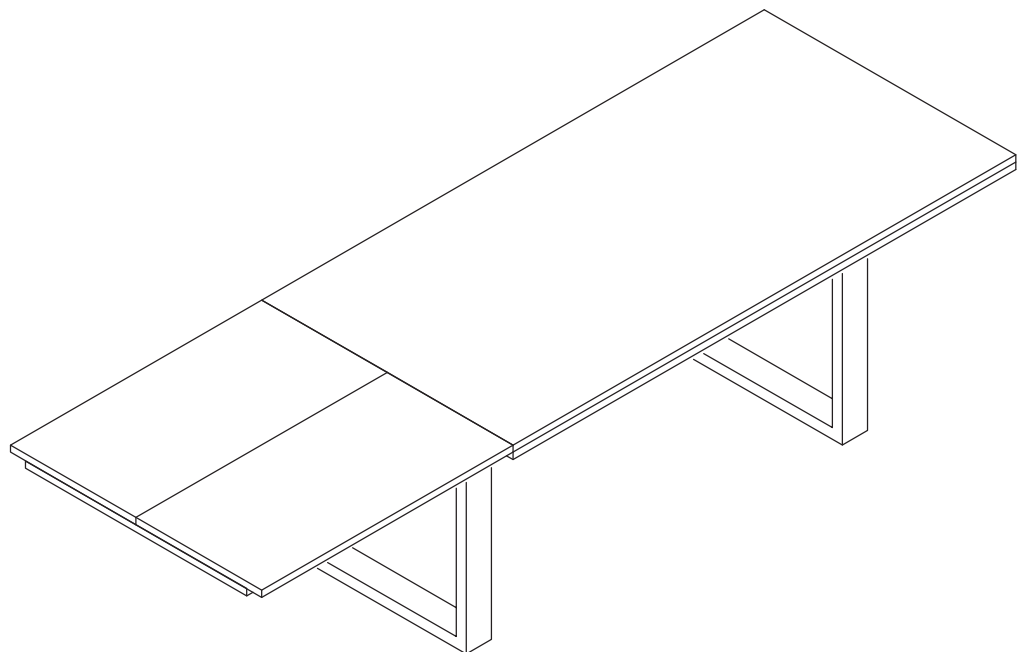
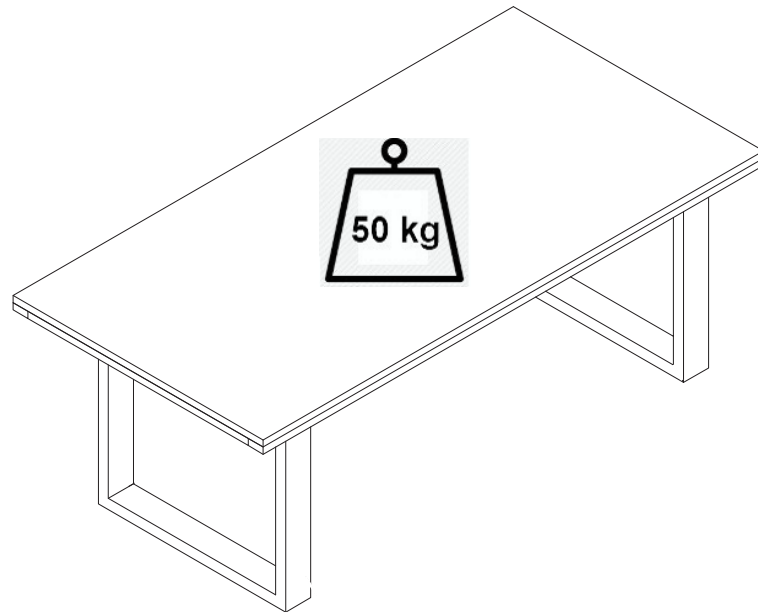
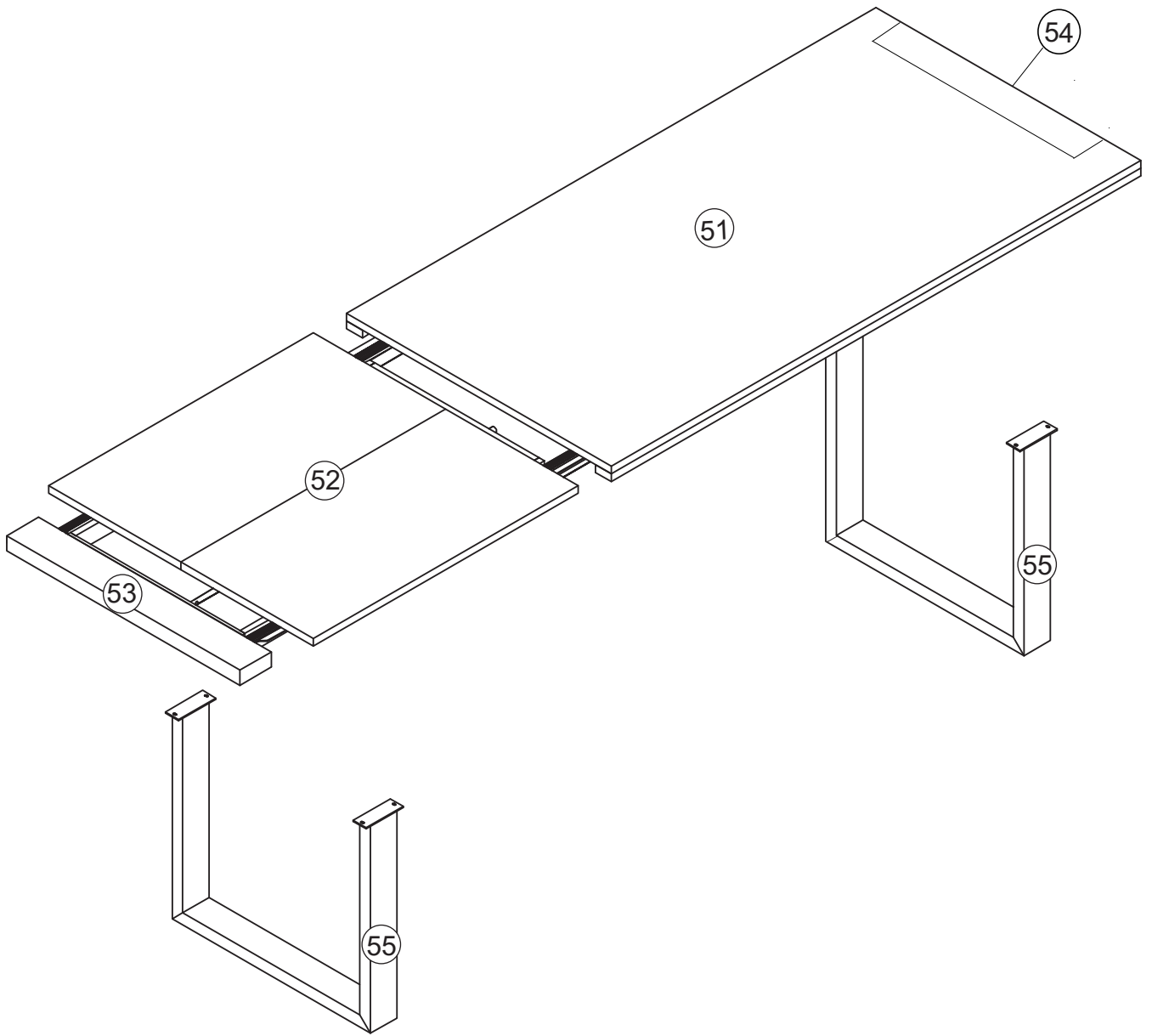

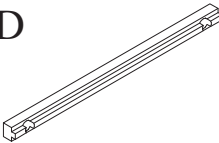
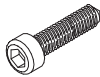

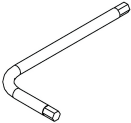


Montageanleitung

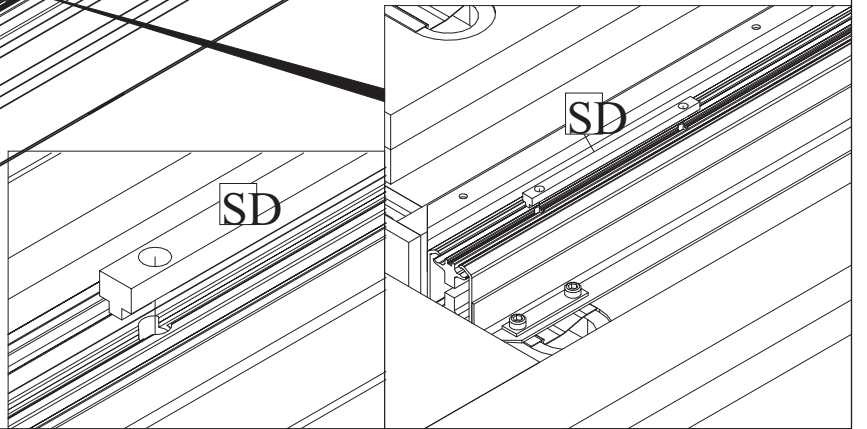
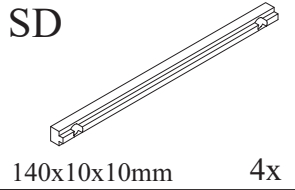
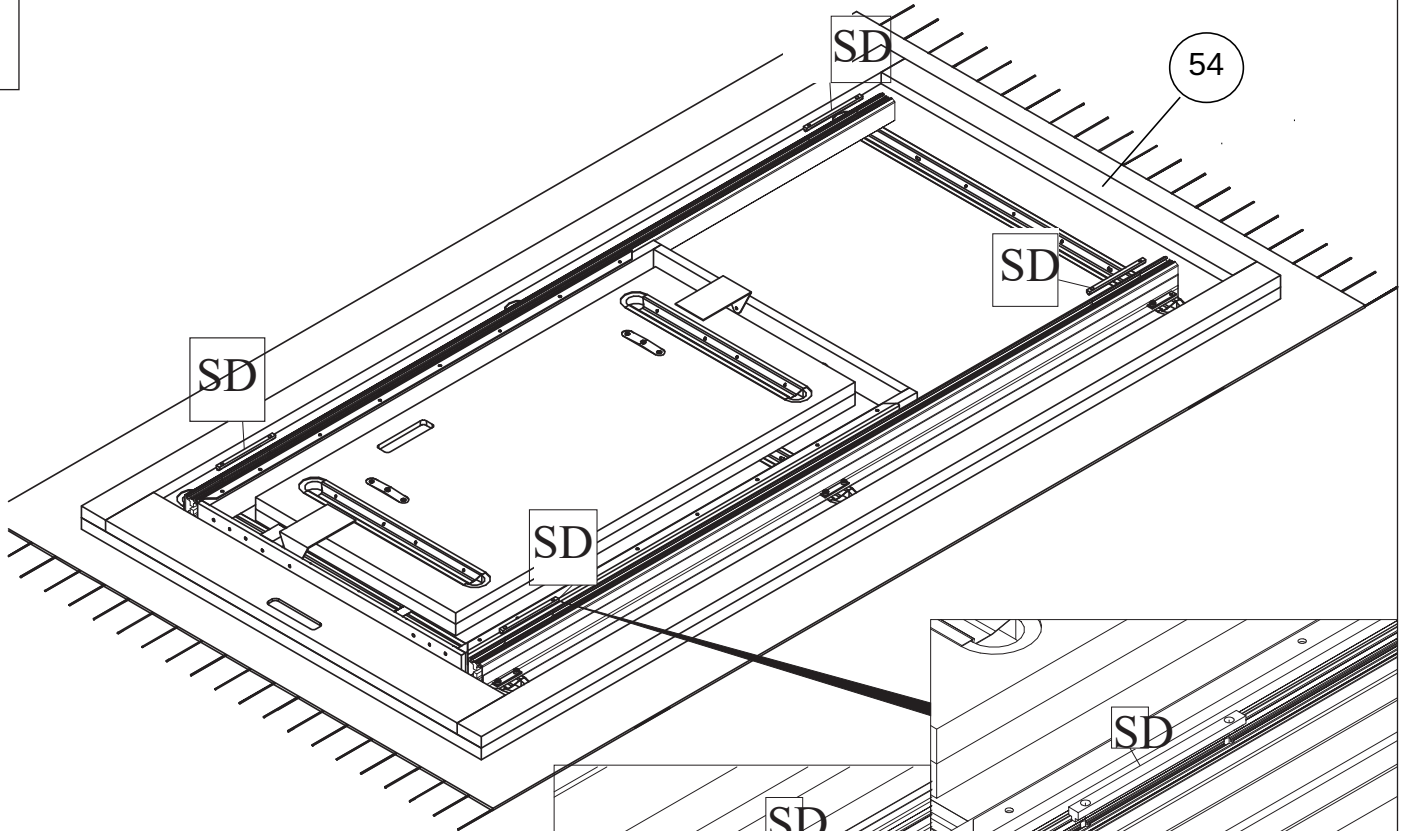
Tisch "DAYTON"



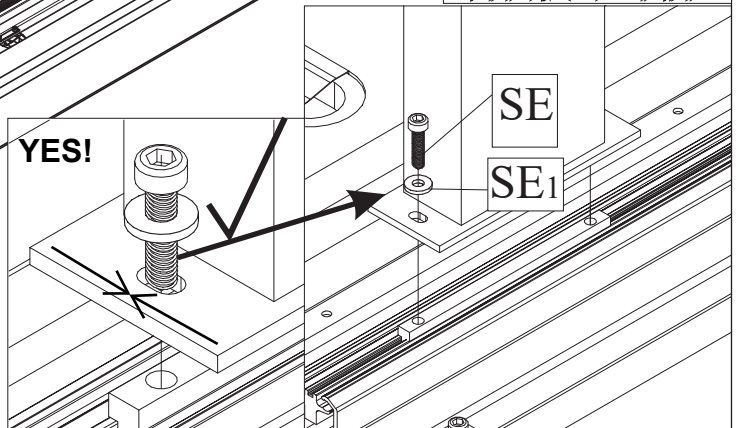
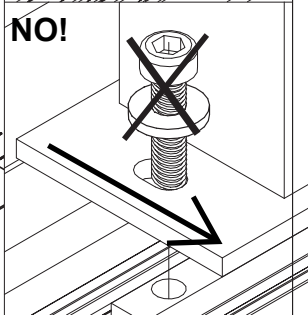
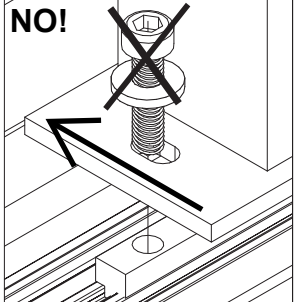
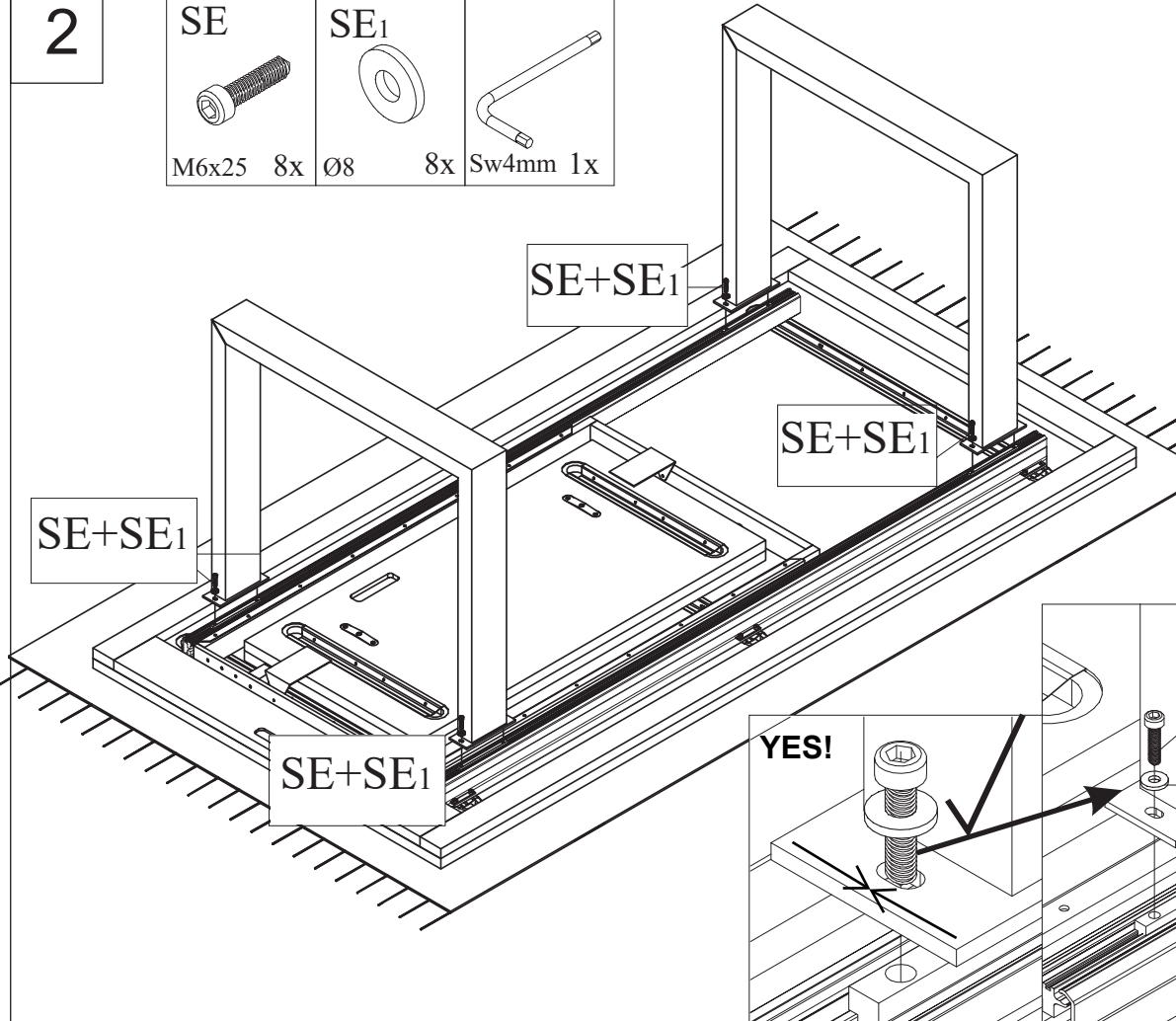
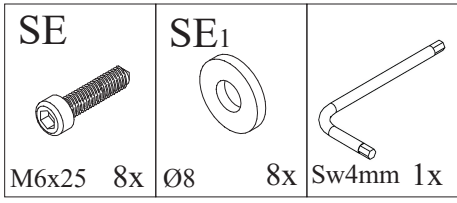


<p>SZ</p>  <p>Filz 35x35 8x</p>	<p>SD</p>  <p>140x10x10 4x</p>	<p>SE</p>  <p>M6x25 8x</p>	<p>SE₁</p>  <p>Ø8 8x</p>	 <p>Sw4mm 1x</p>
--	--	---	--	---

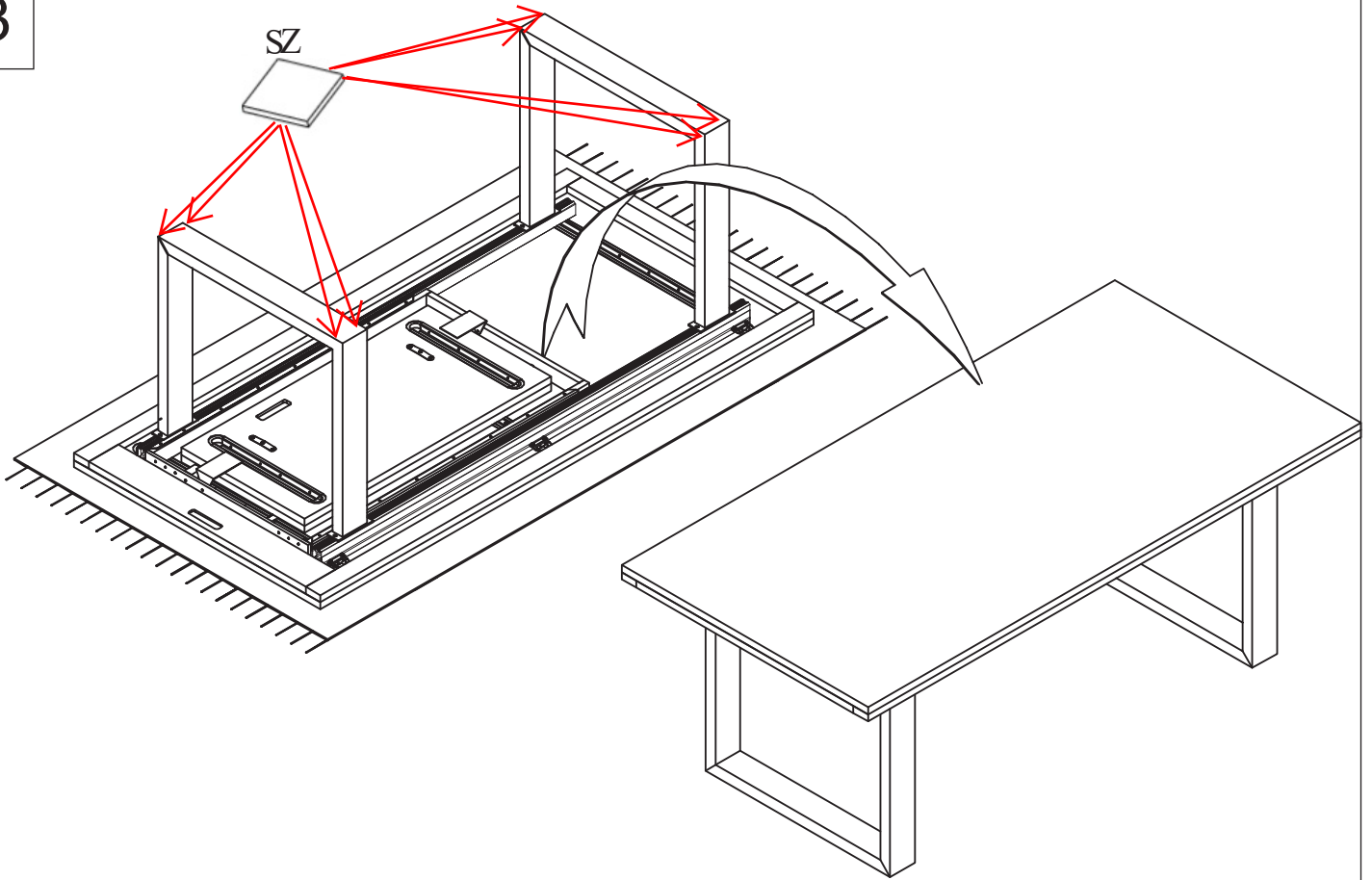
1



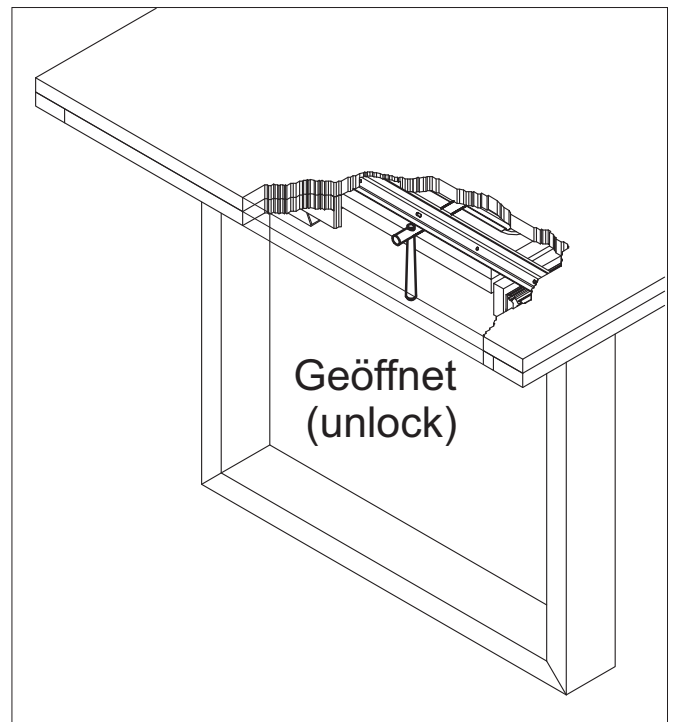
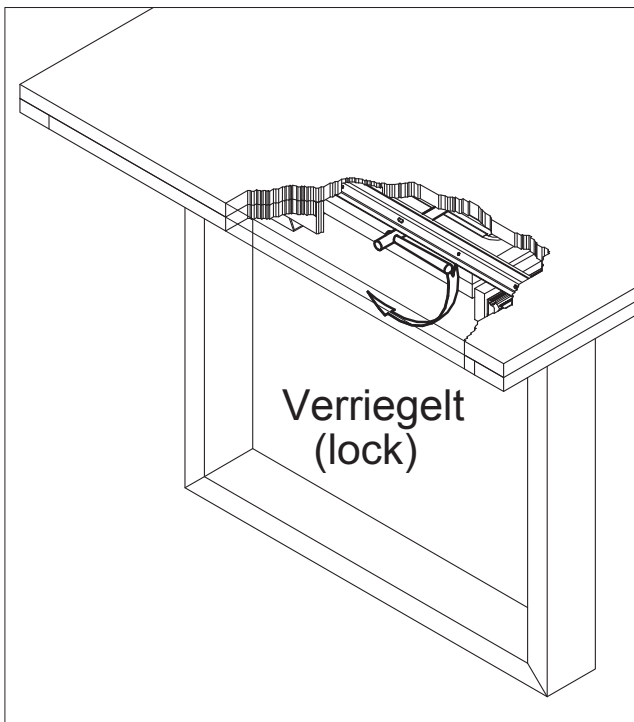
2



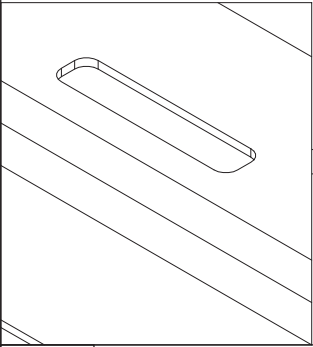
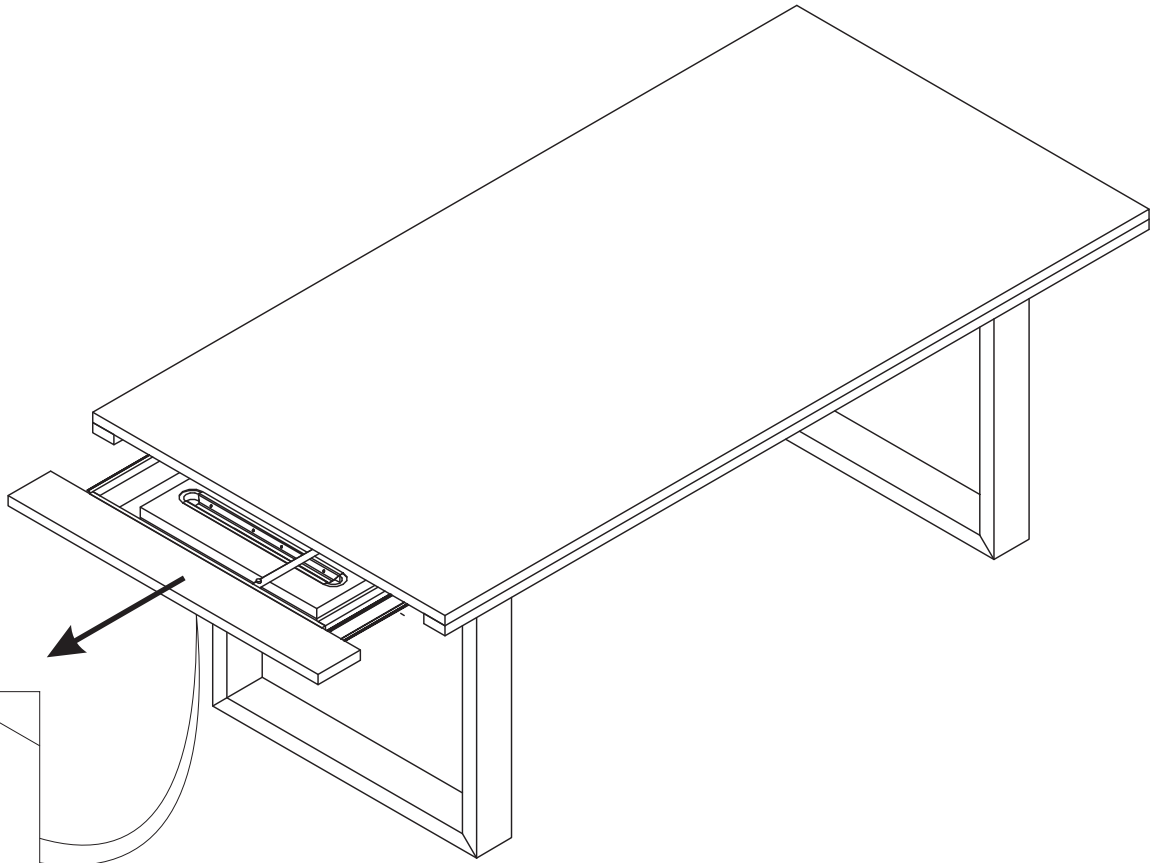
3



4



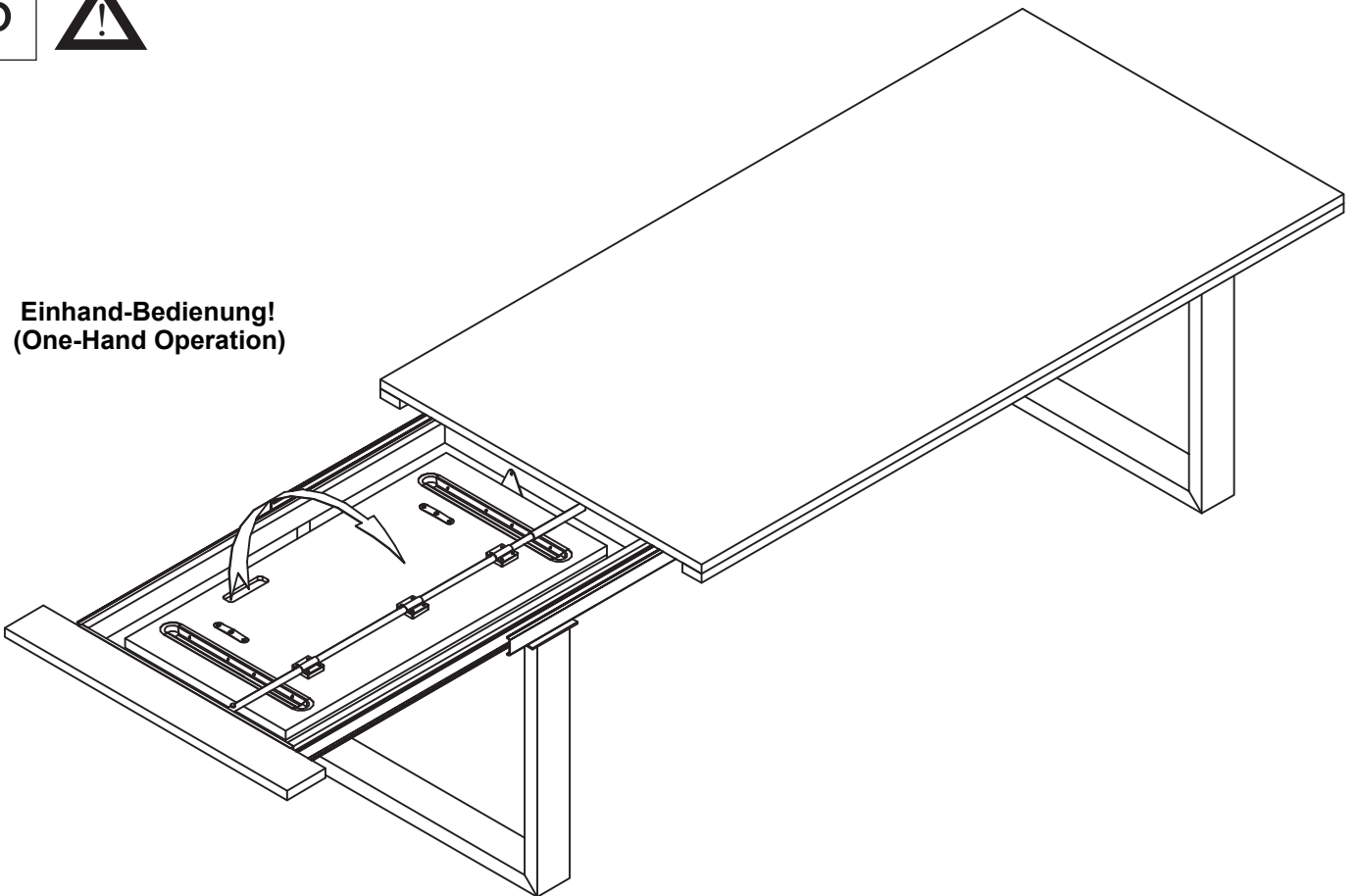
5



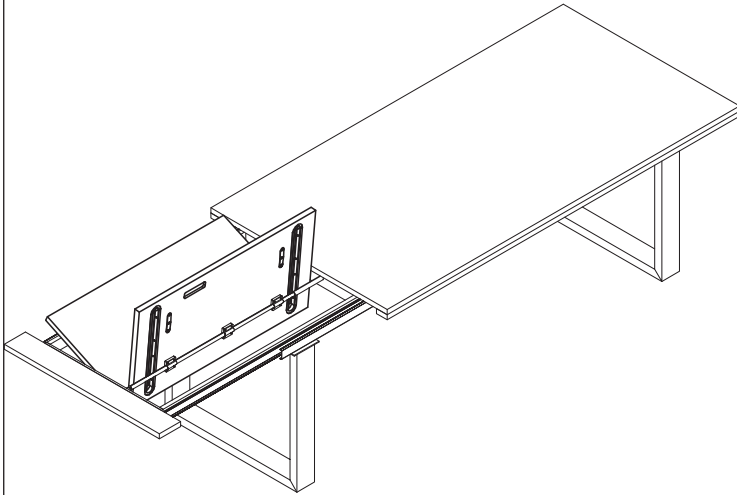
6



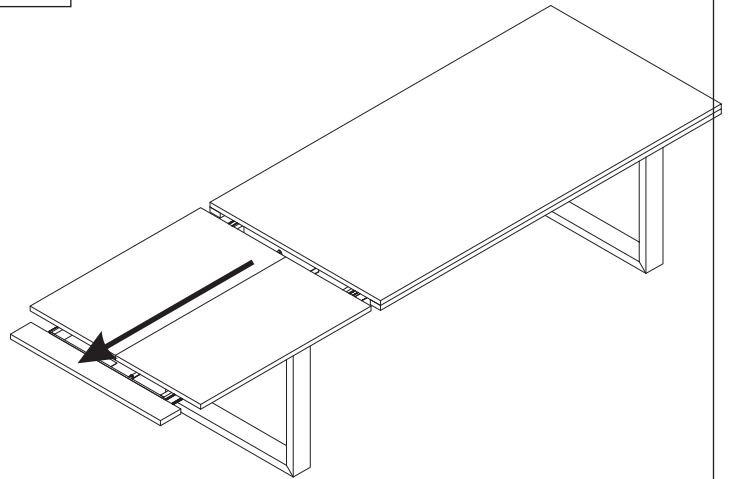
Einhand-Bedienung!
(One-Hand Operation)



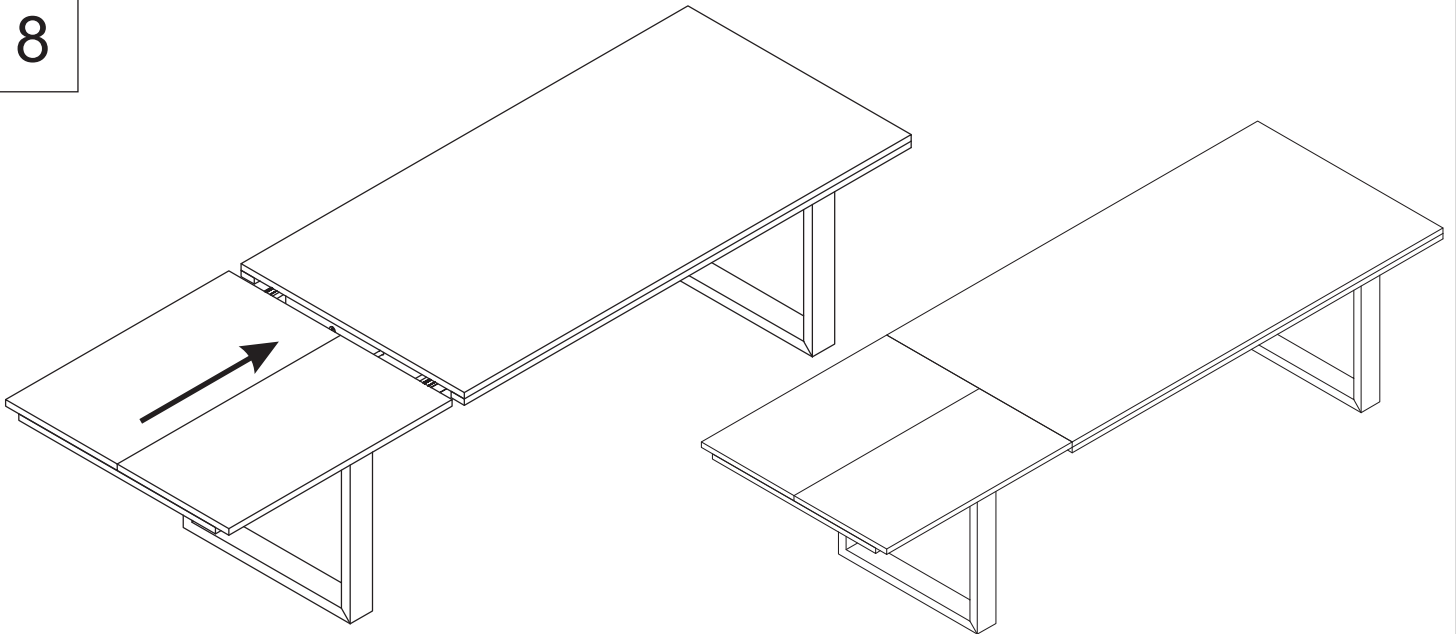
6a



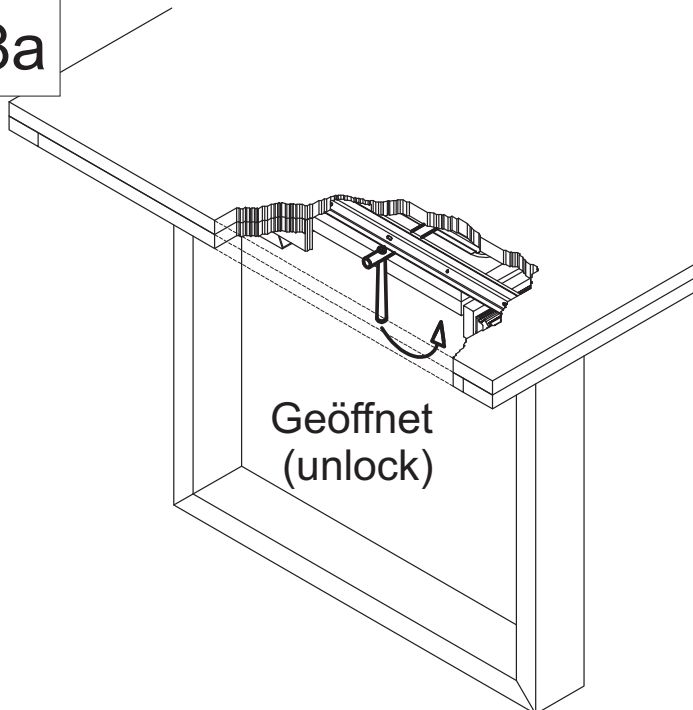
7



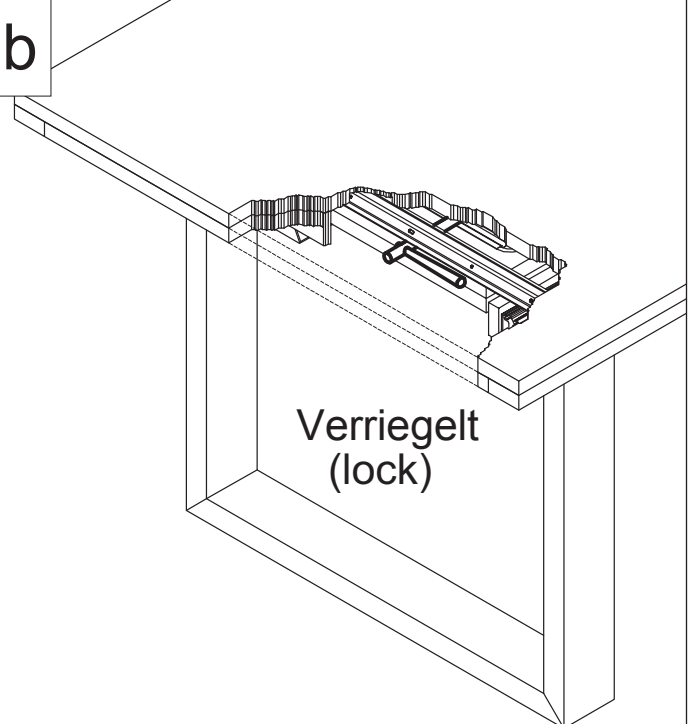
8



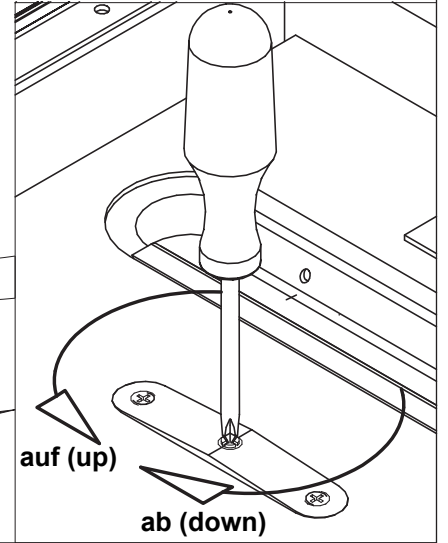
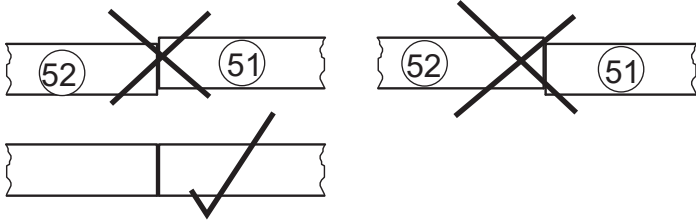
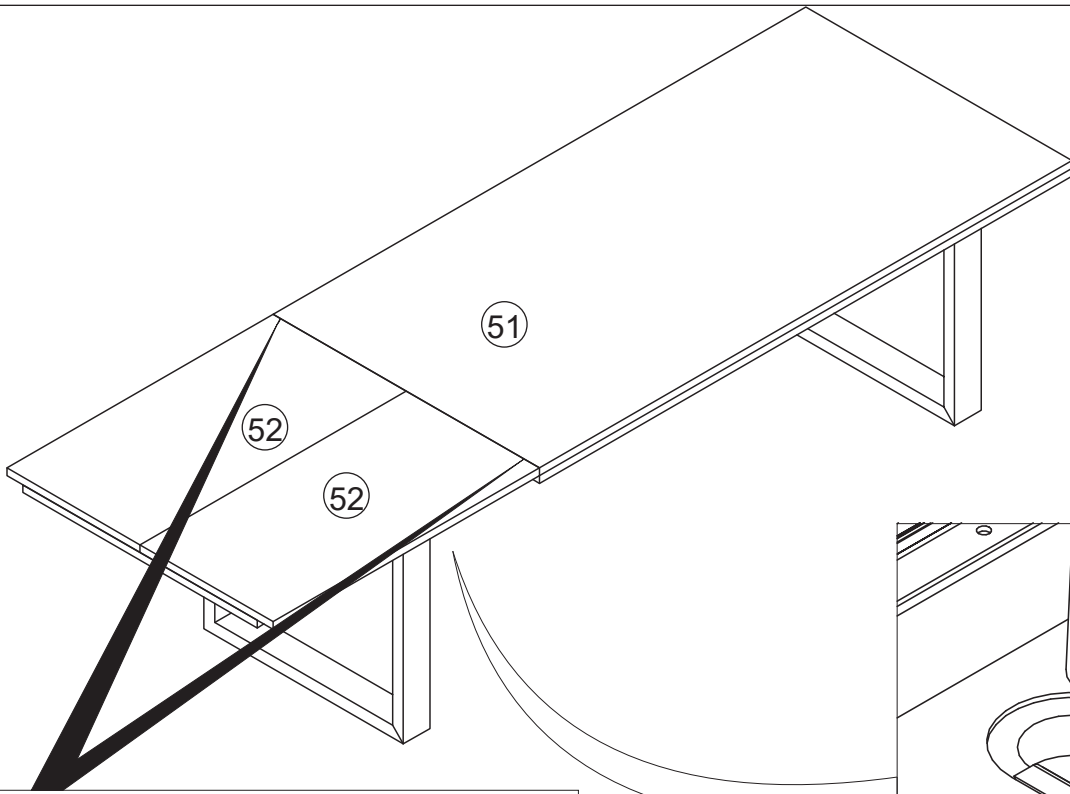
8a



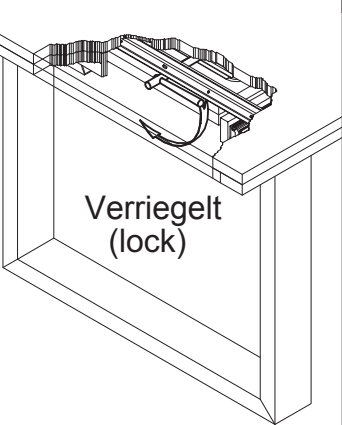
8b



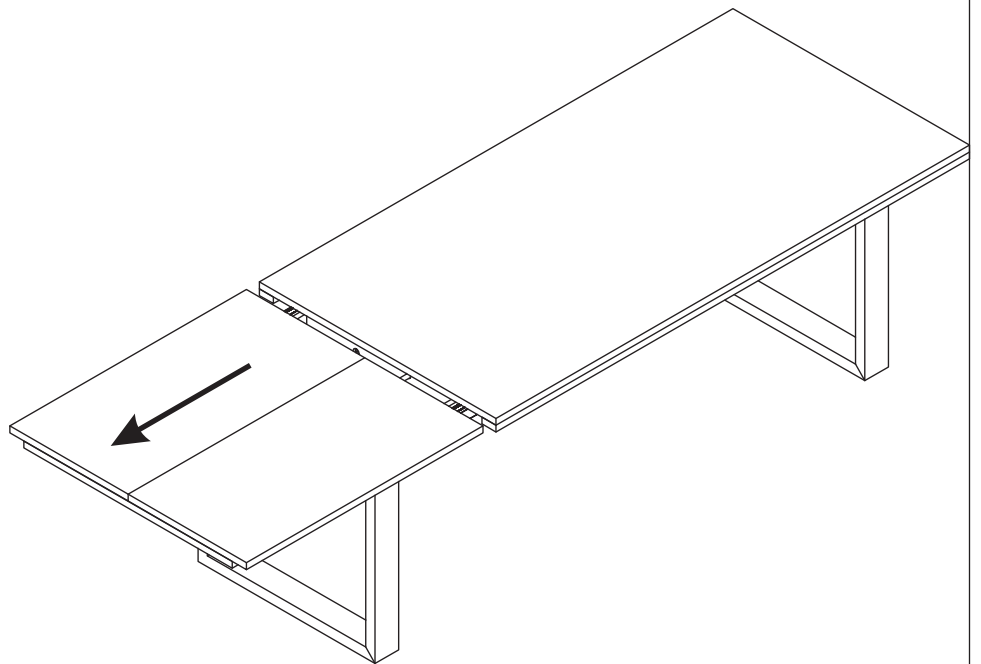
9



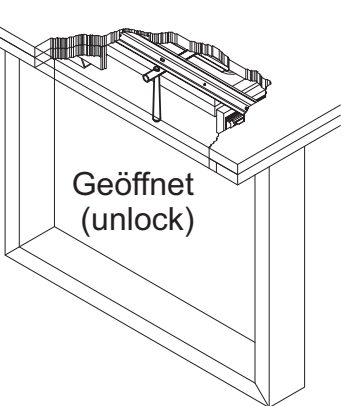
10a



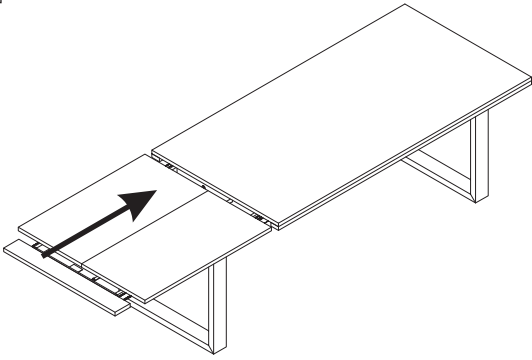
10



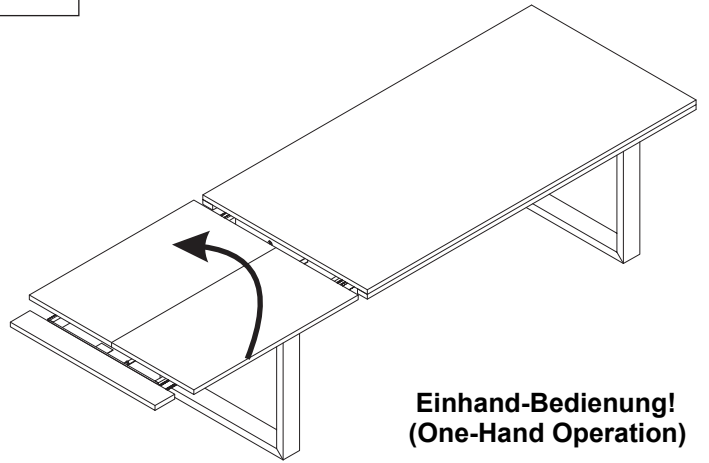
10b



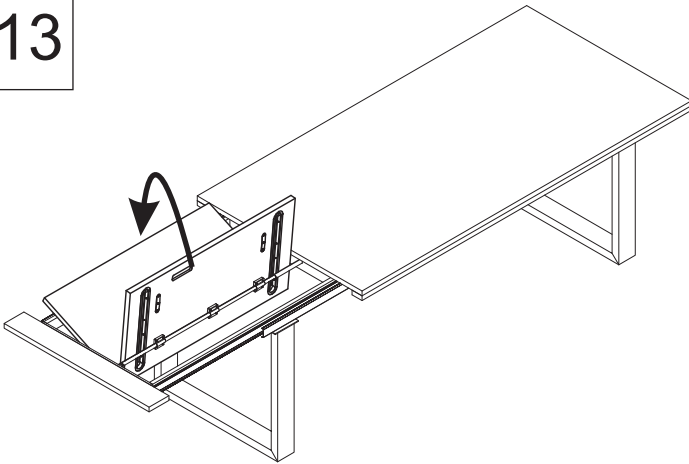
11 



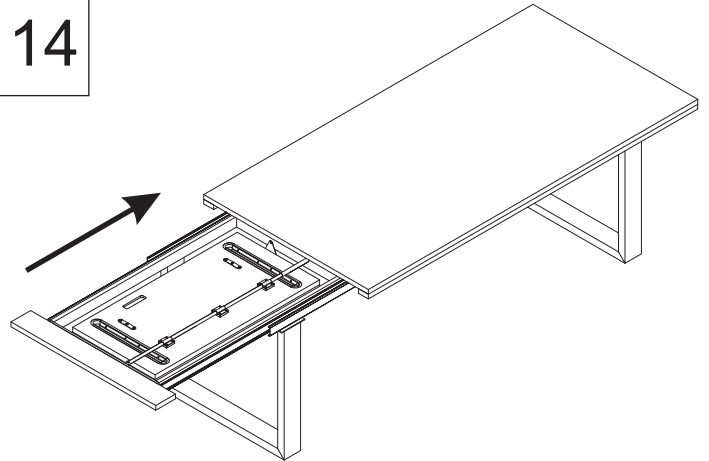
12



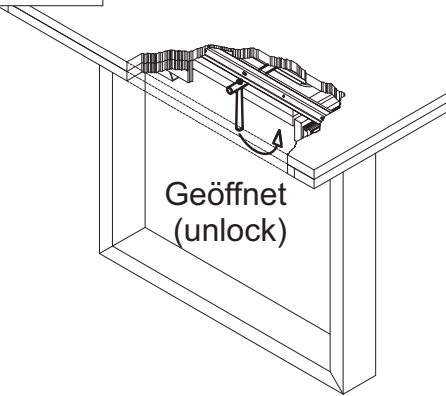
13



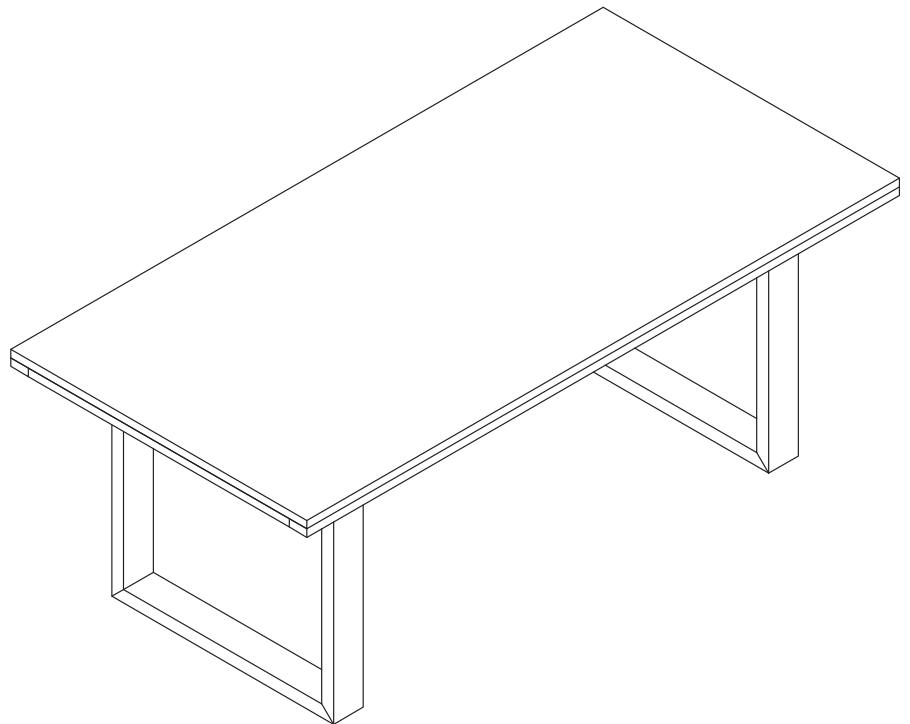
14



15a



15



15b

