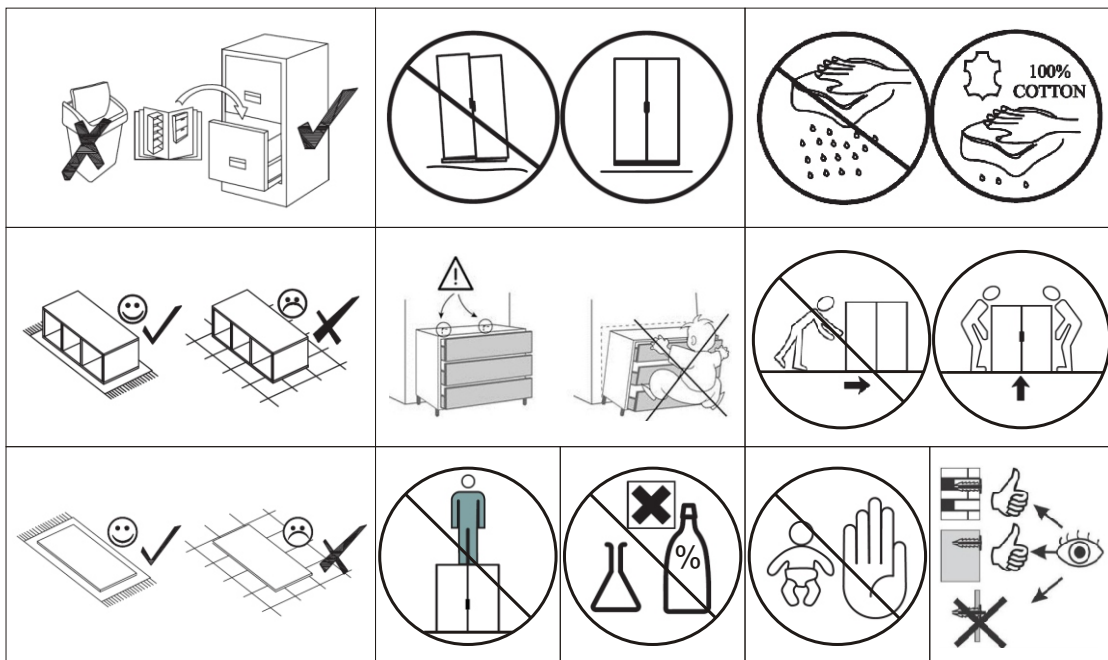
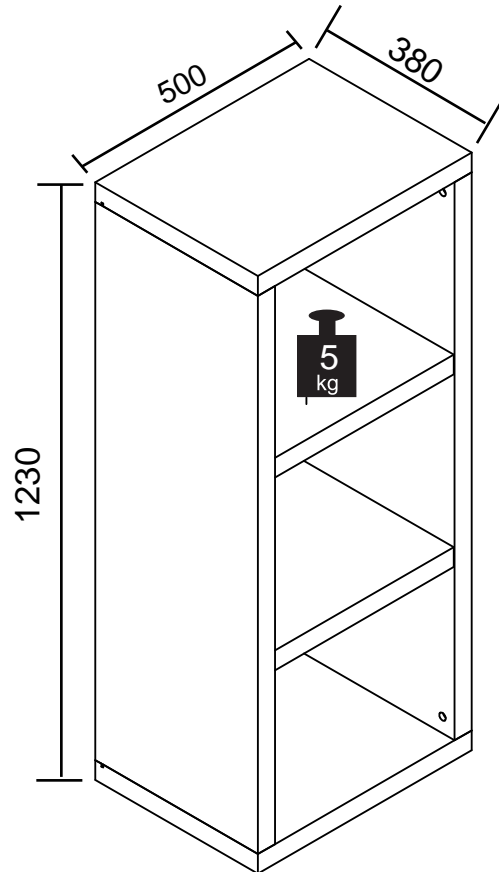
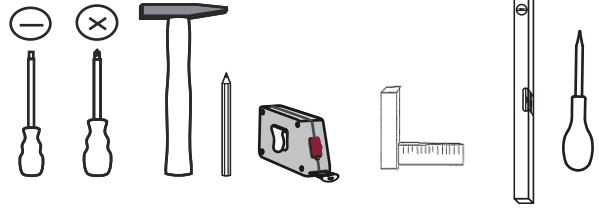
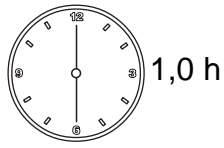
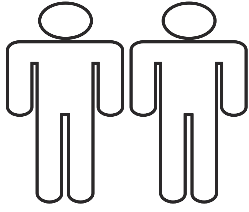
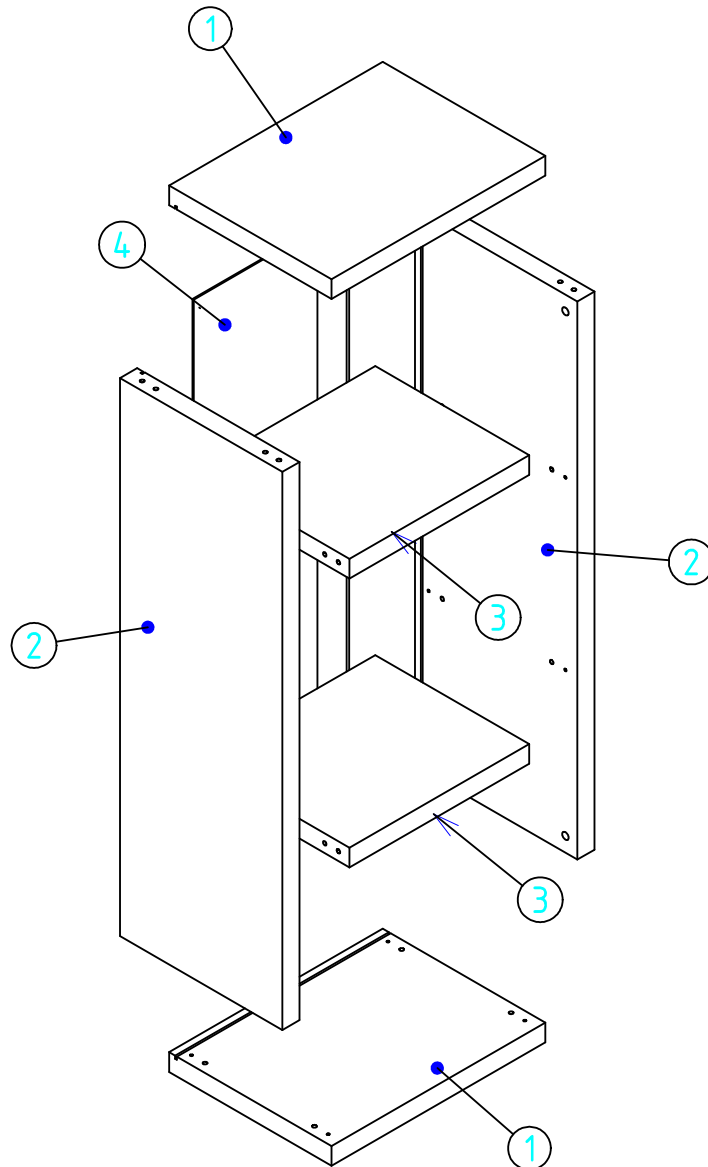
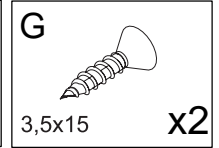
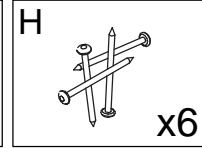
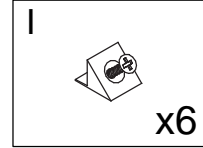
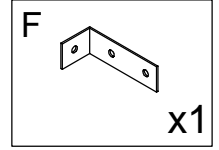
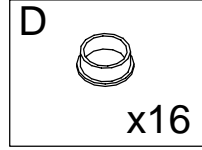
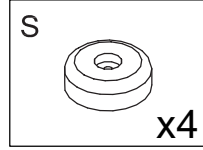
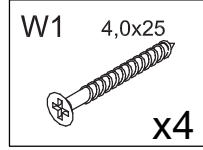
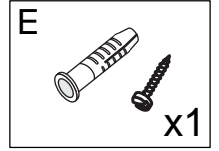
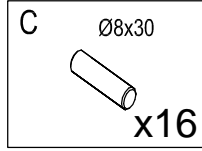
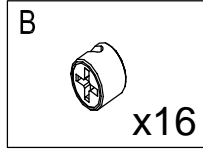
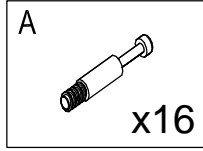


# MODICA 2

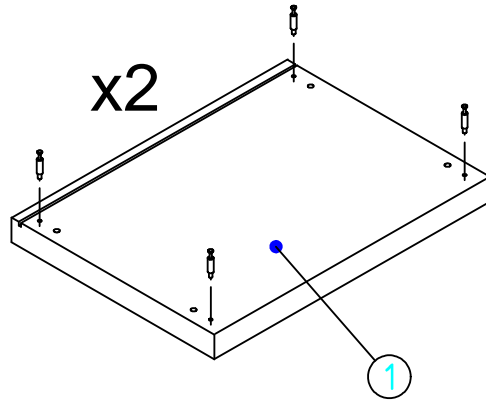
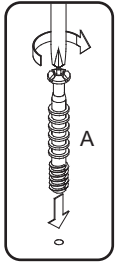
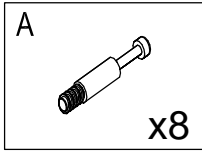
355-92-...-9



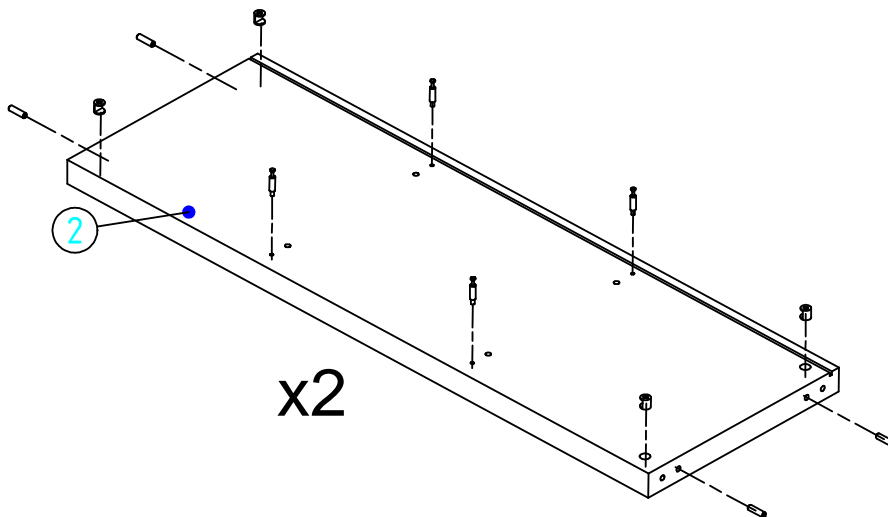
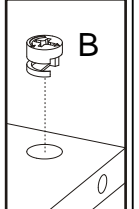
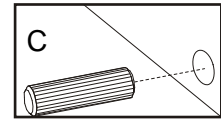
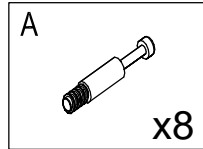
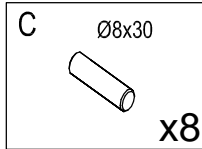
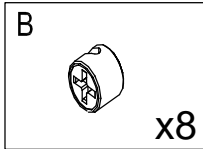
NUMER	L	W	T	COUNT	COLI
1	500	380	40	2	1/1
2	1130	379	40	2	1/1
3	418	360	40	2	1/1
4	1140	428	3	1	1/1



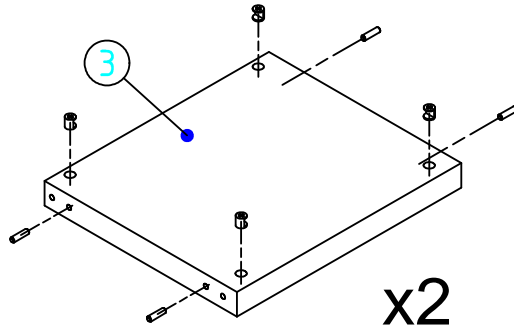
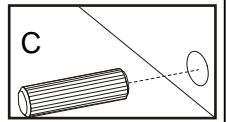
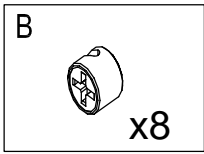
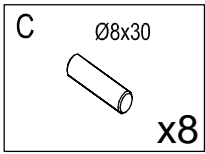
1



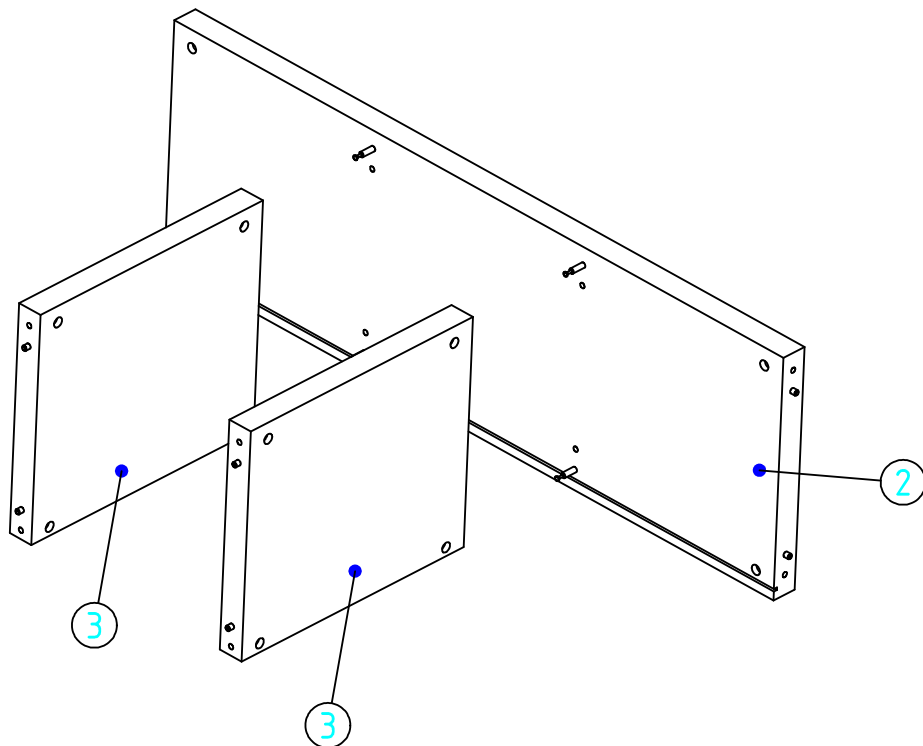
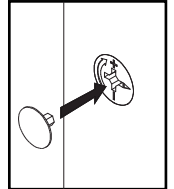
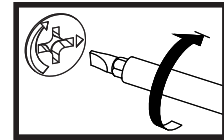
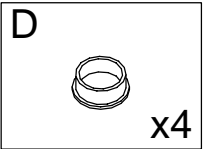
2



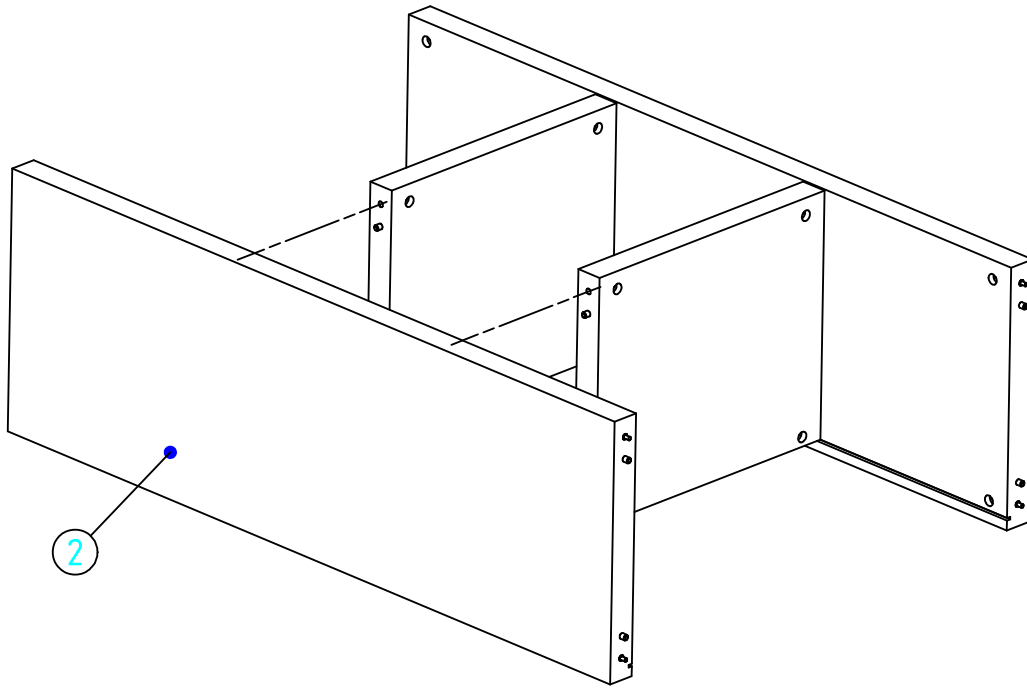
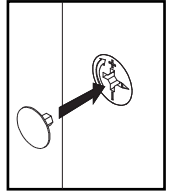
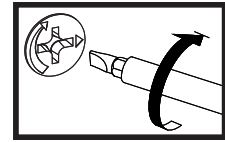
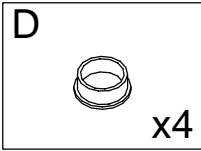
3



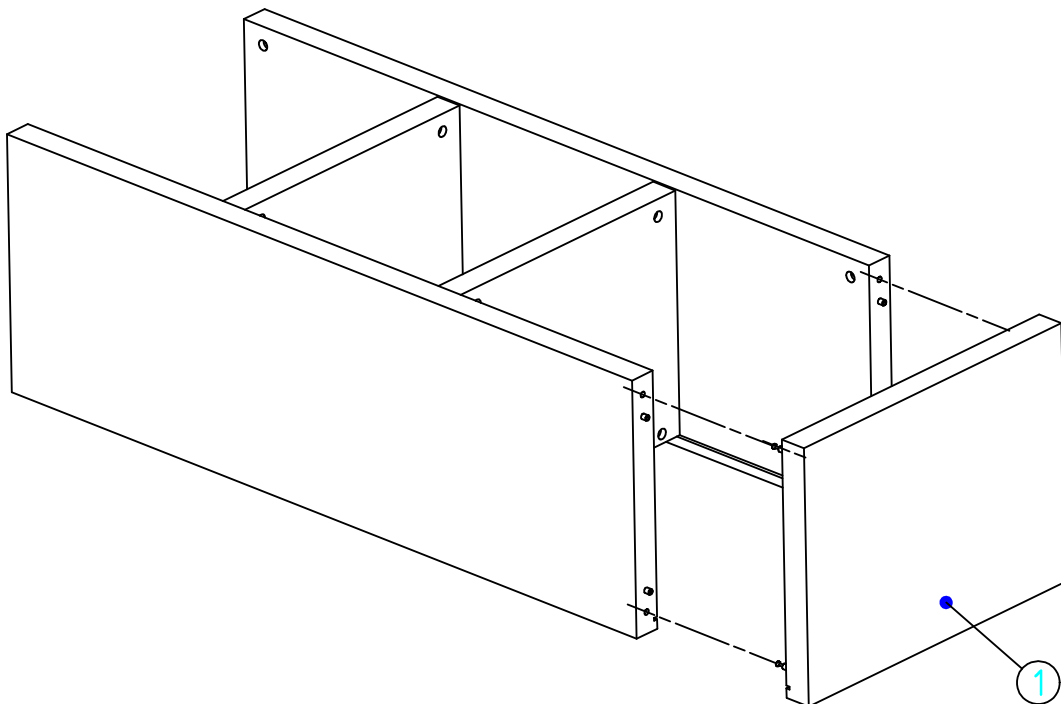
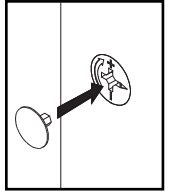
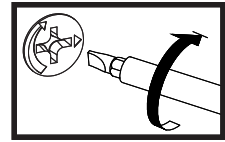
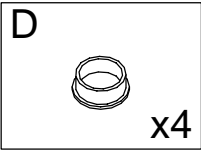
4



5

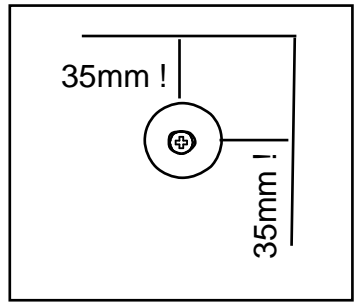
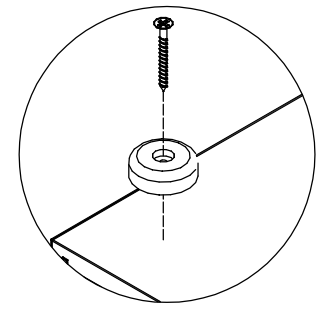
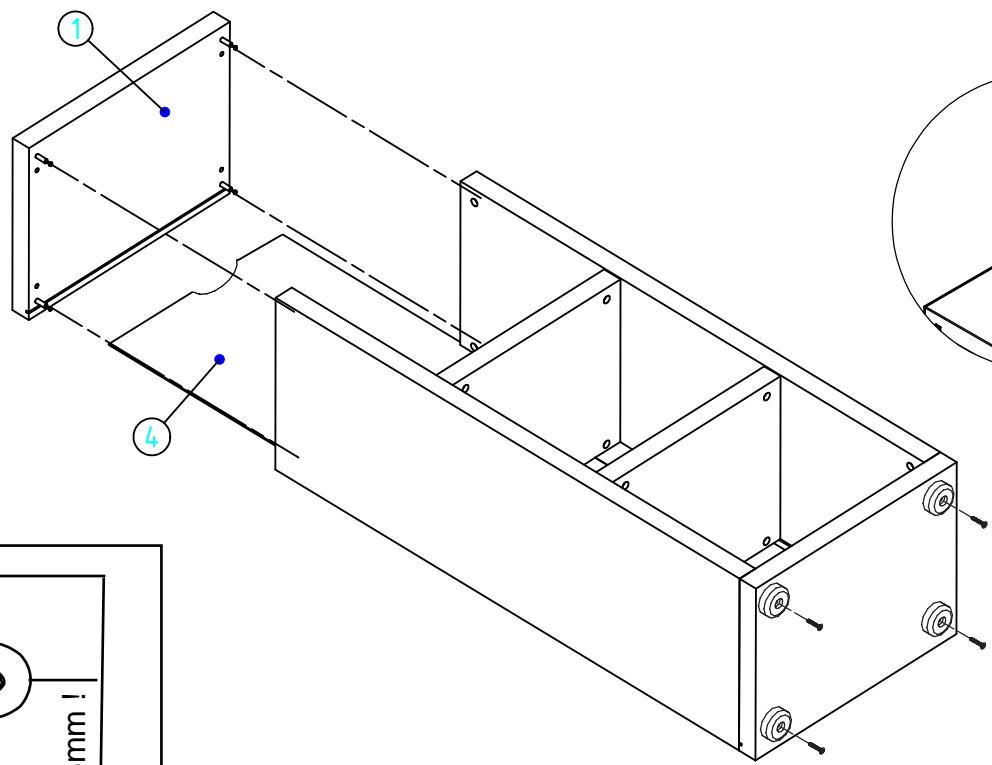
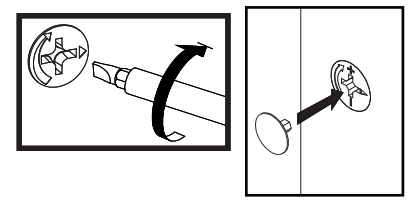


6



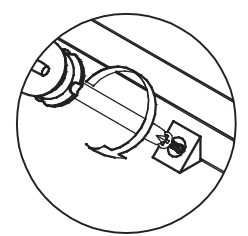
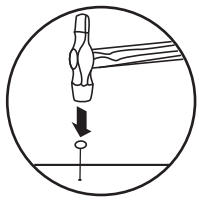
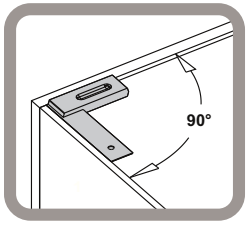
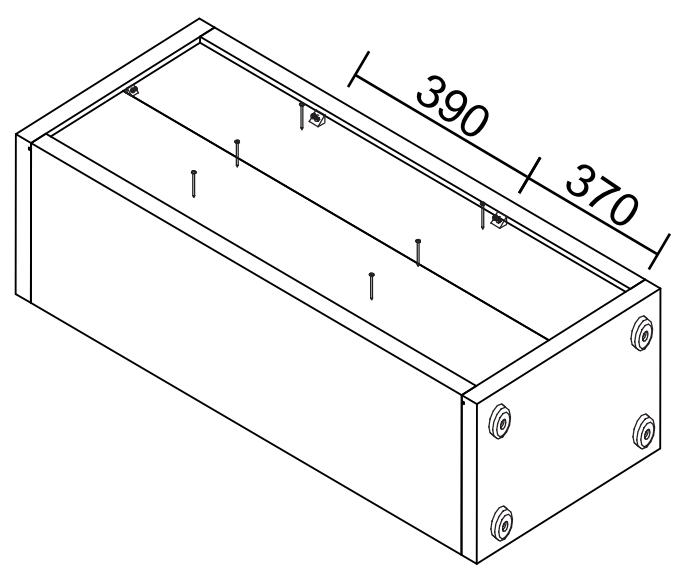
7

- W1 4,0x25 x4
- S x4
- D x4



8

- I x6
- H x6



9

