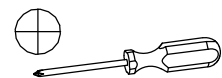
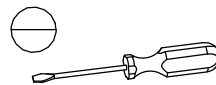
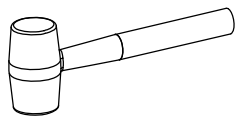
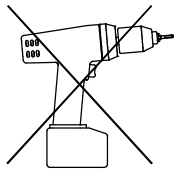


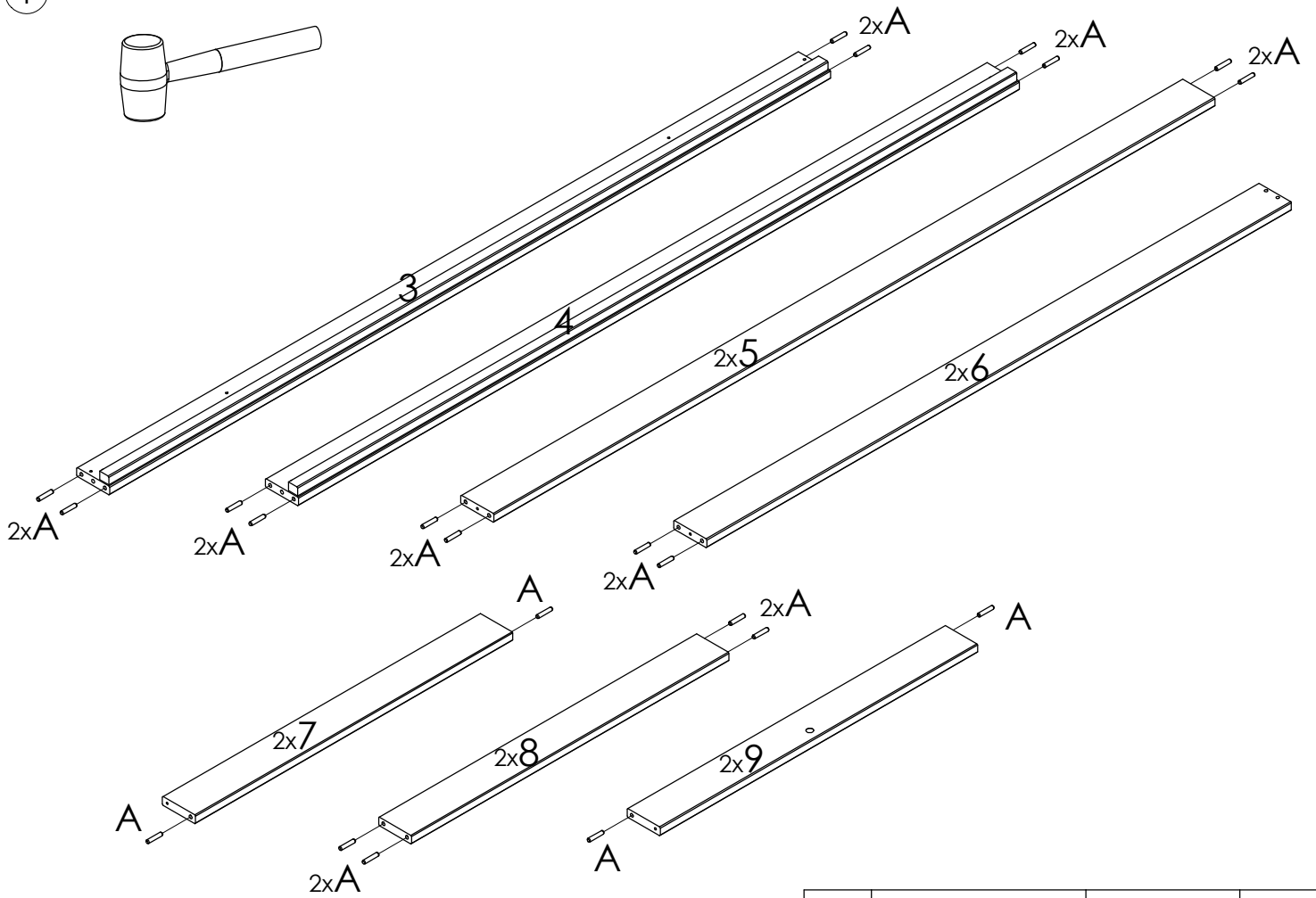
Ladder can be fitted right or left side.

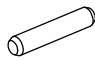


A		8x40	x36
B		6,3x90	x11
C		M6x90	x4
D		M6x10x13	x4
E		7x50	x4
F		55/12,2x5	x6
G		5x30	x6

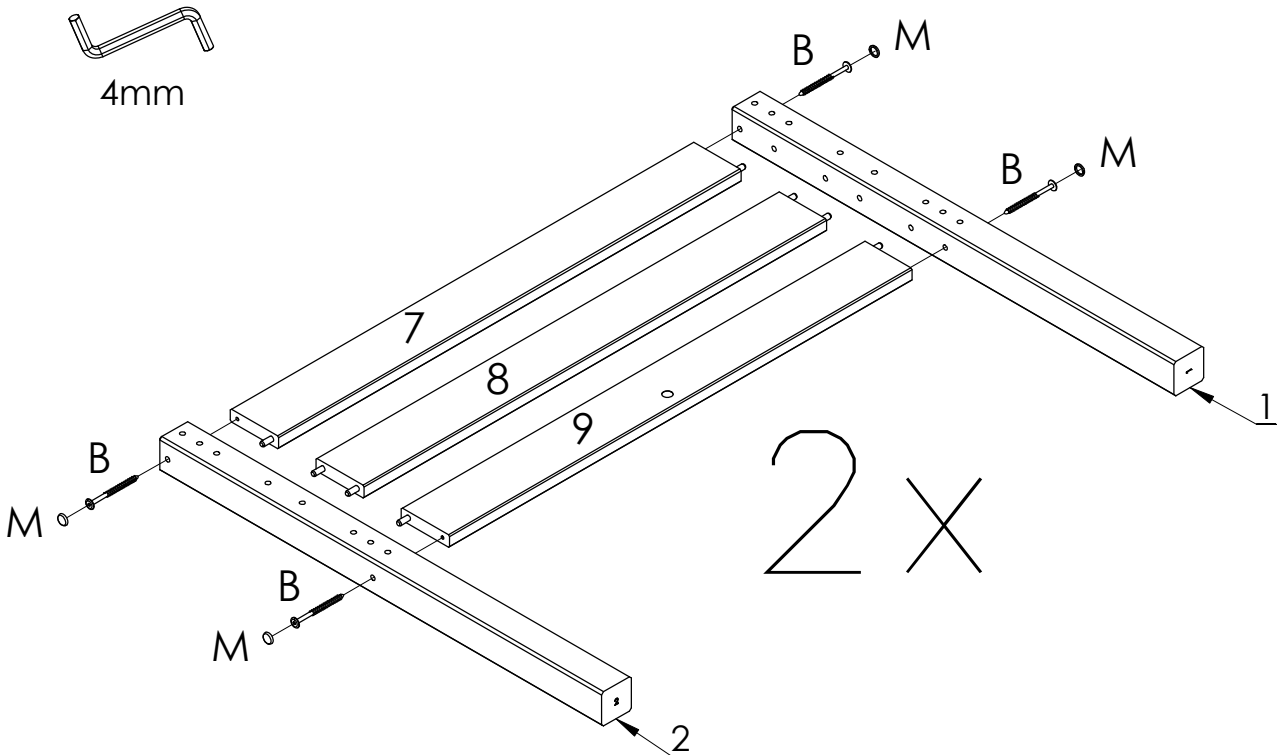
H		4,2x35	x2
J		3,5x40	x6
K		D4x13	x4
L		D8x13	x6
M		D15x18	x15
N		4mm	x1

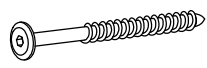

①



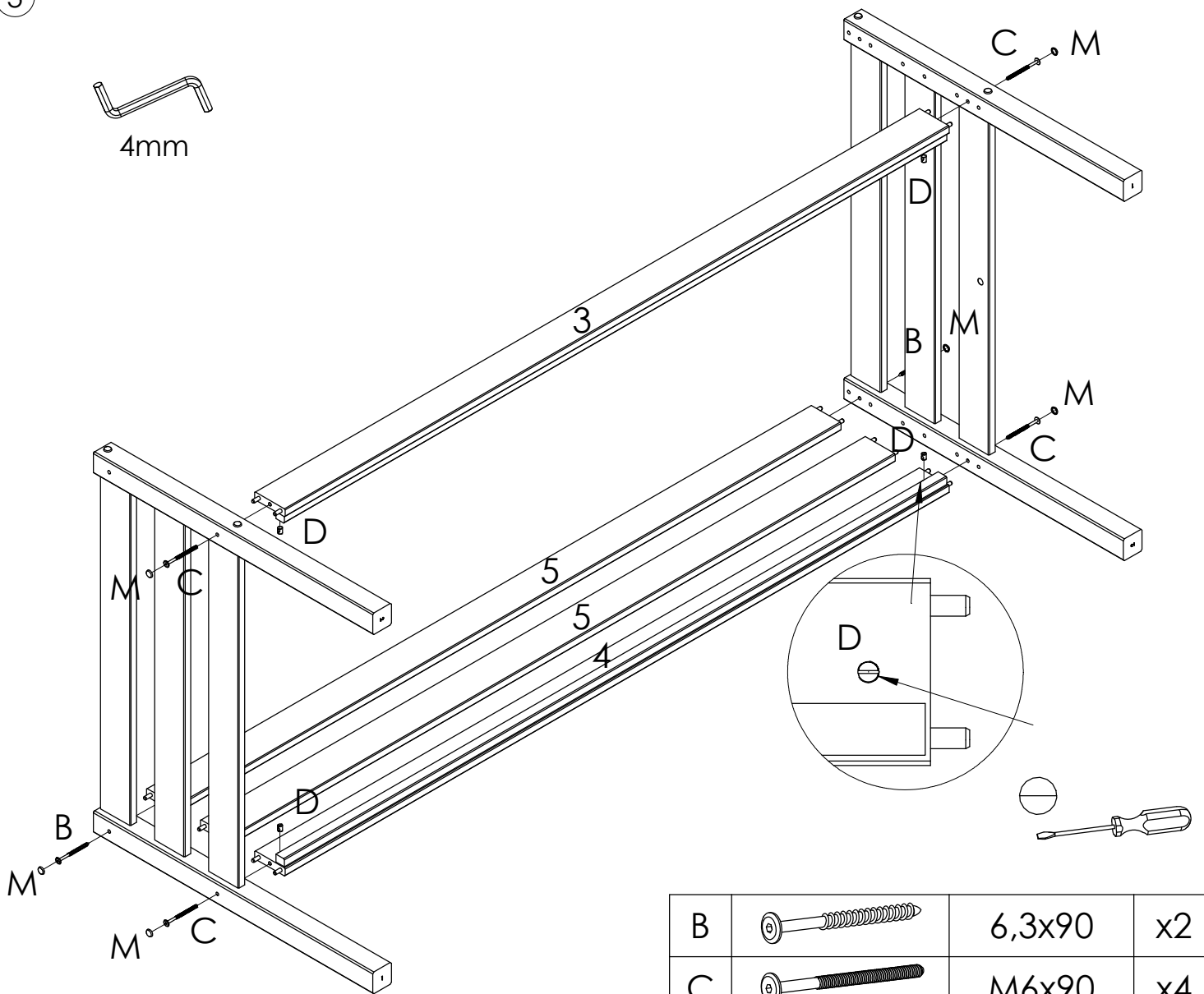
A		8x40	x36
---	---	------	-----





②



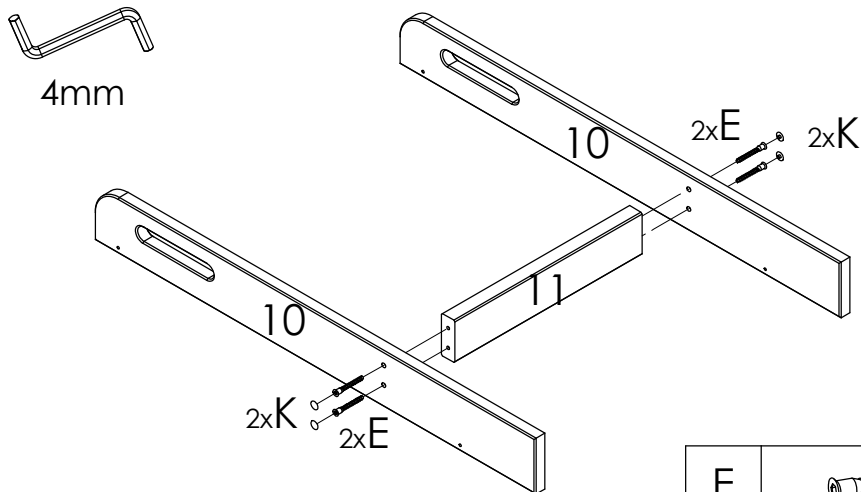
B		6,3x90	x8
M		D15x18	x8



3



B		6,3x90	x2
C		M6x90	x4
D		M6x10x13	x4
M		D15x18	x6

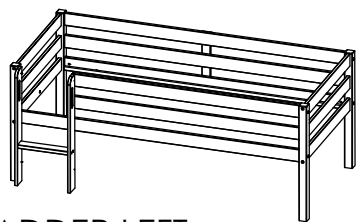
4



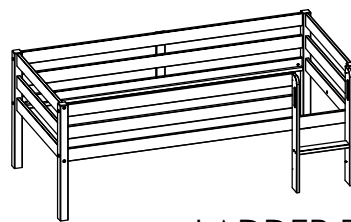
E		7x50	x4
K		D4x13	x4

5

Decide which side to attach ladder.

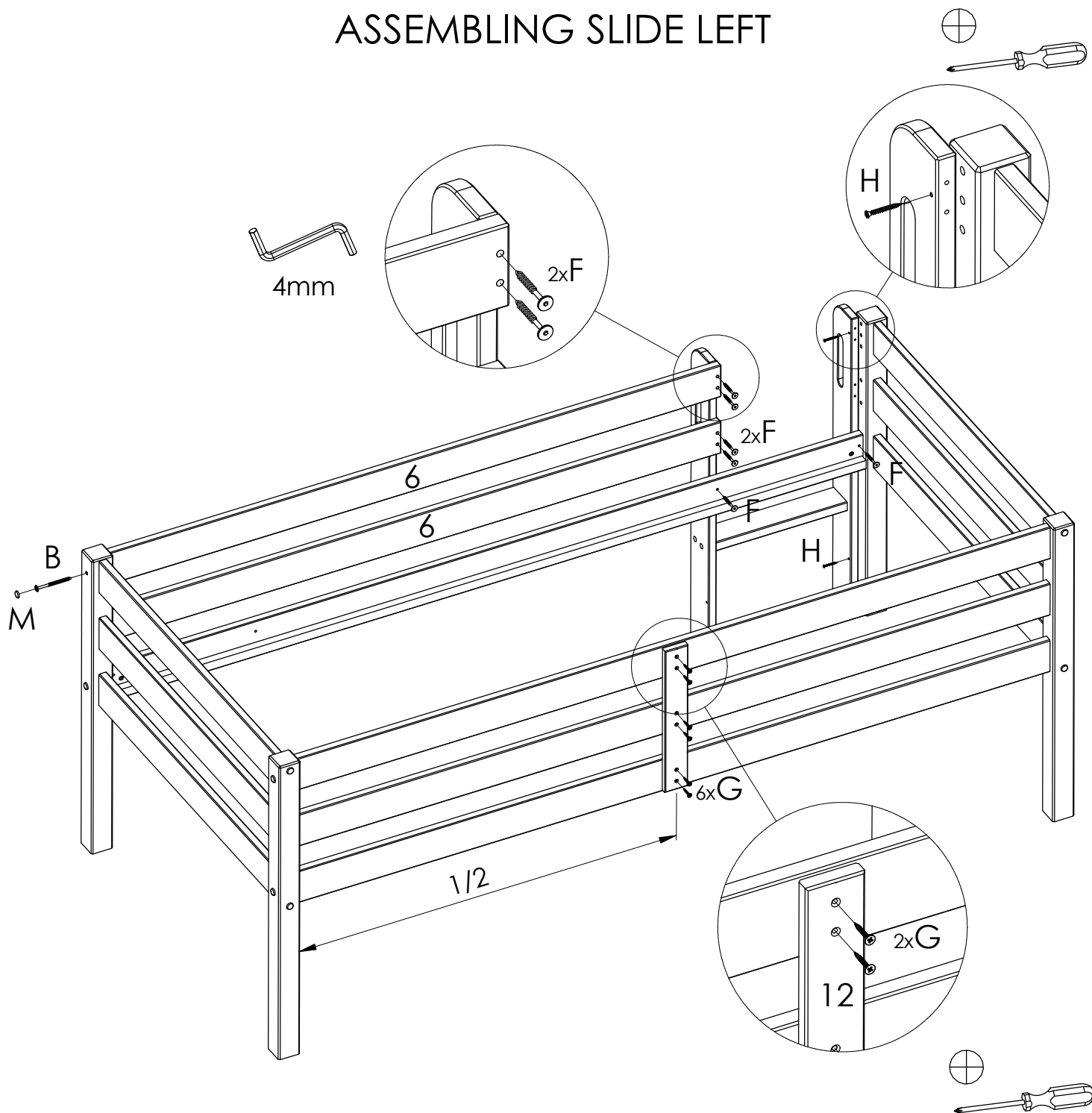


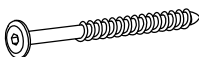

LADDER LEFT



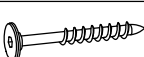


LADDER RIGHT

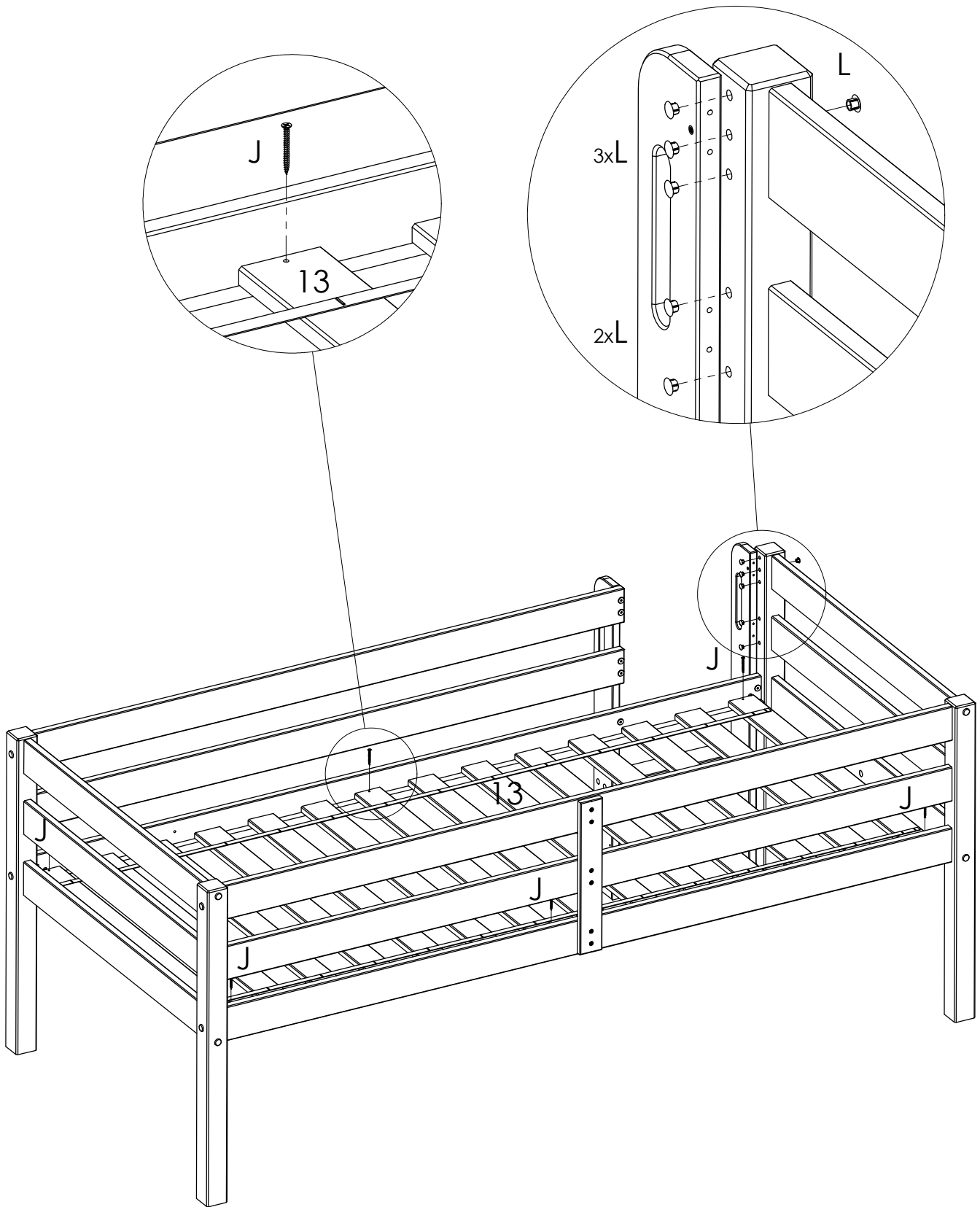
ASSEMBLING SLIDE LEFT





B		6,3x90	x1
M		D15x18	x1

G		5x30	x6
H		4,2x35	x2
F		55x12,2x5	x6

6



L		D8x13	x6
J		3,5x40	x6