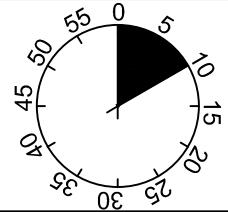
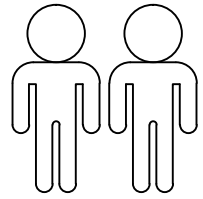
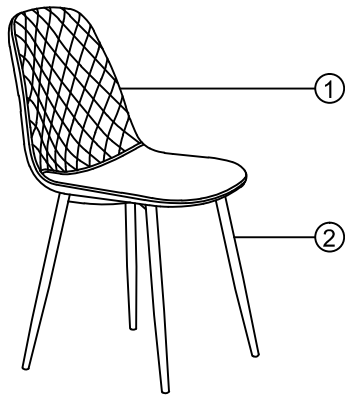
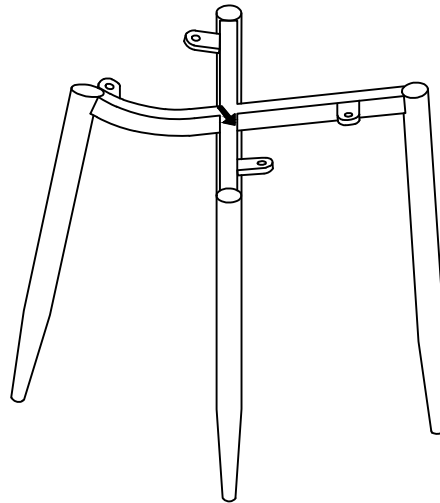
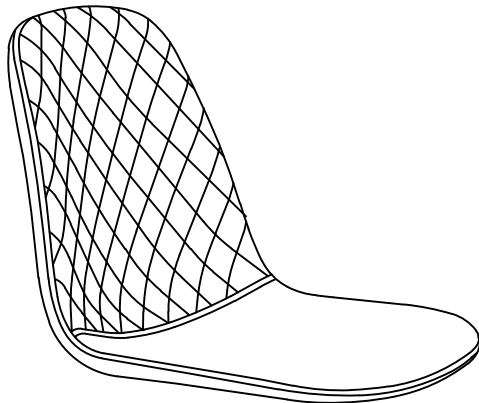


Mira

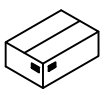


1

2



1	1X
2	1X



1/1

A

M6x16



4x

B

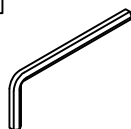
Ø18xØ6x1.5



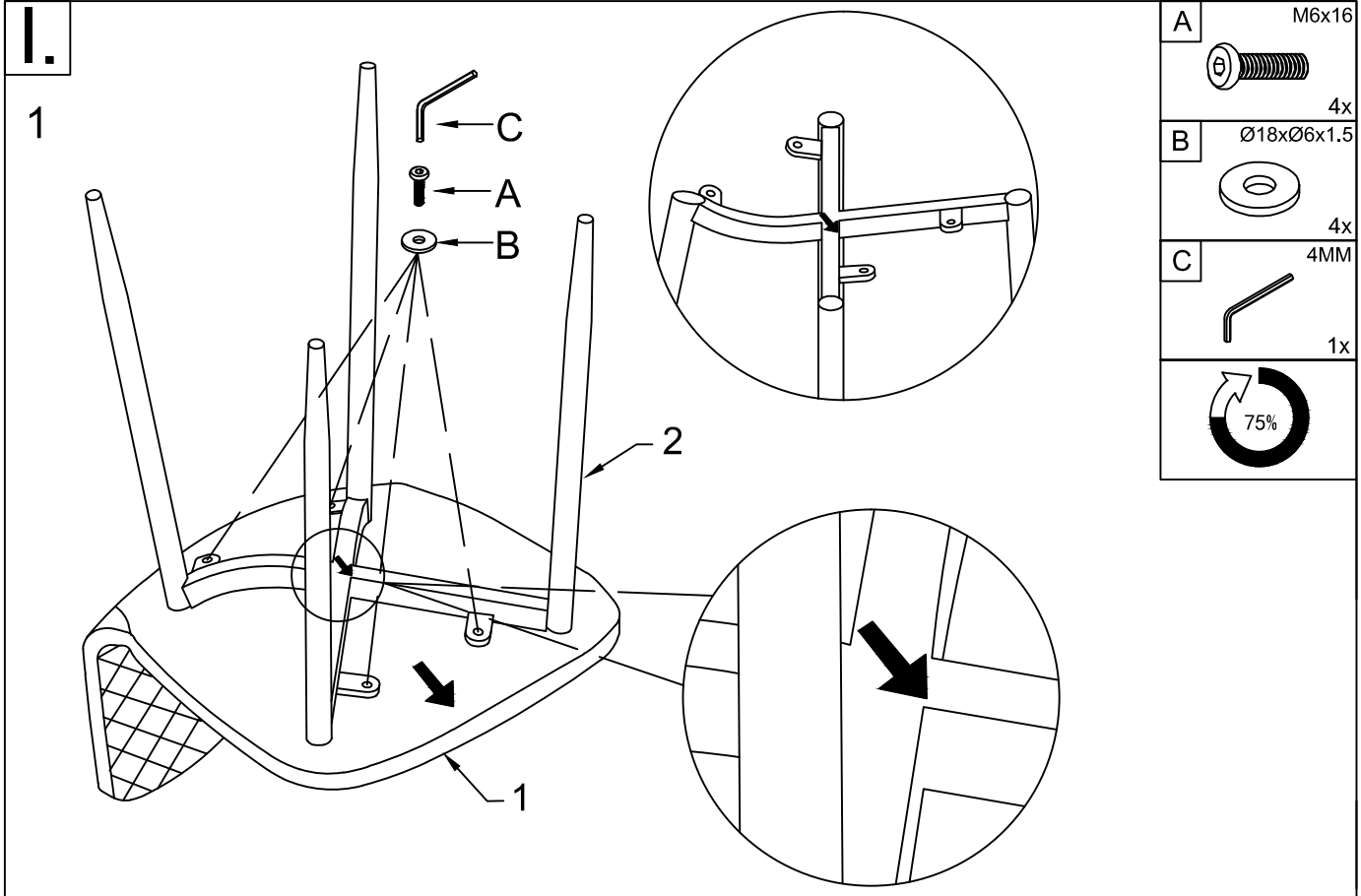
4x

C

4MM



1x



- A M6x16
4x
 - B $\varnothing 18 \times \varnothing 6 \times 1.5$
4x
 - C 4MM
1x
- 75%



- C 4MM
1x
- 100%