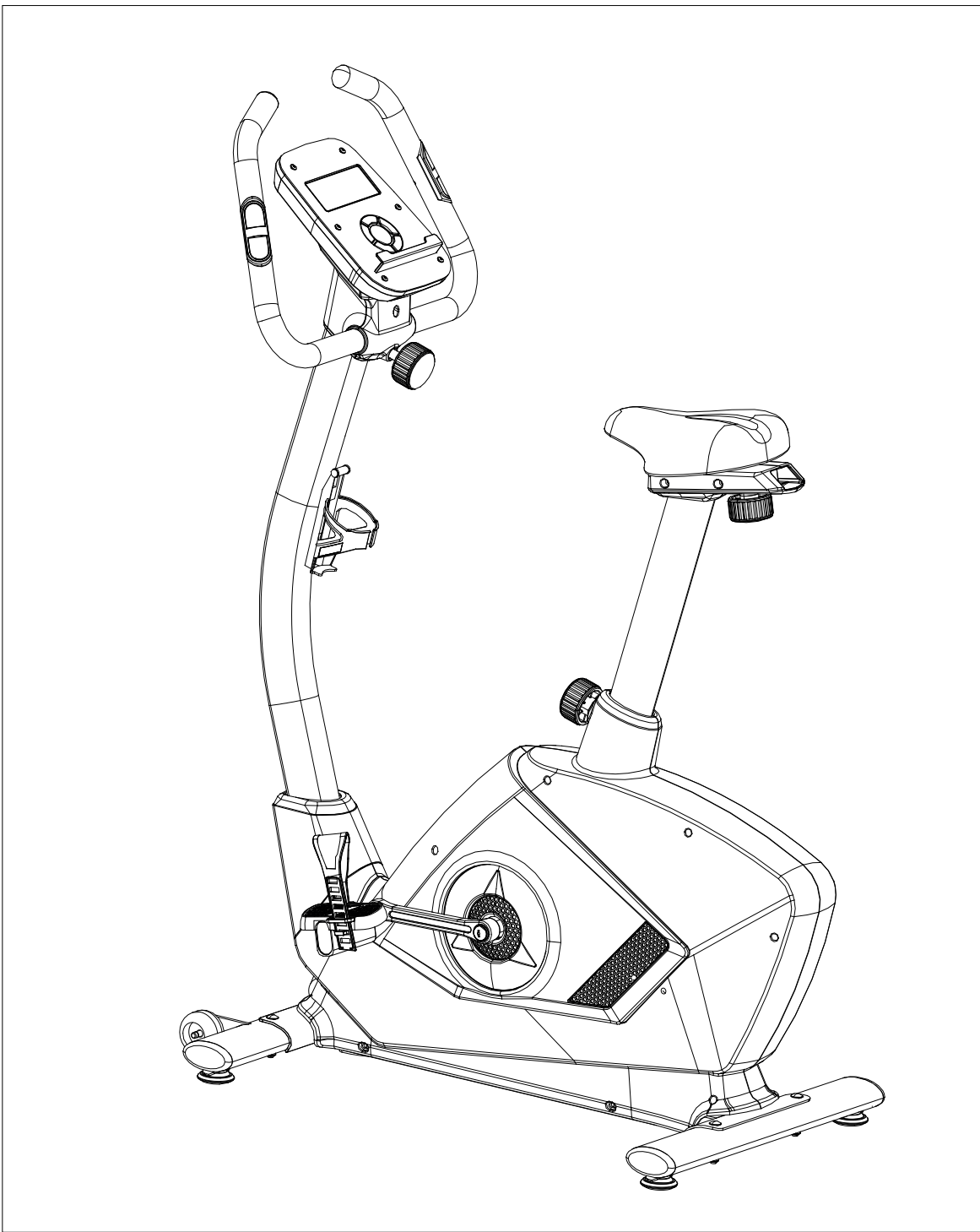


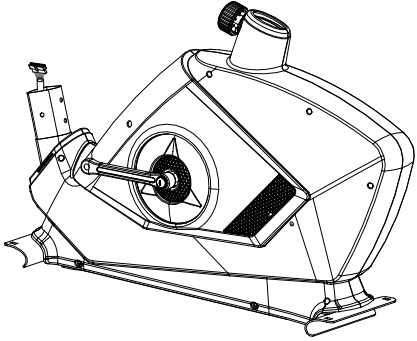
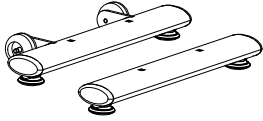
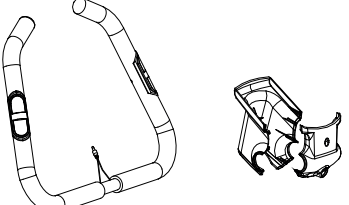

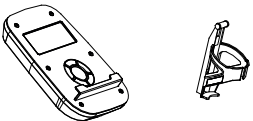
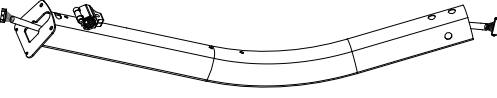

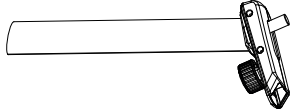



ONE GB60 ASSEMBLY GUIDE.

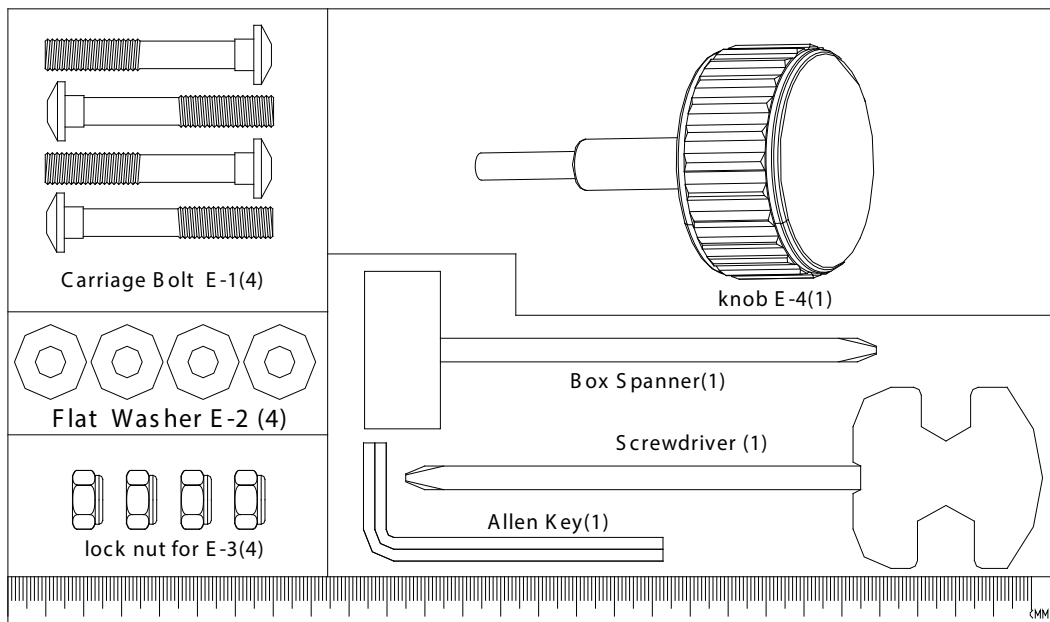
Reebok
ONE SERIES

ONE GB60
ASSEMBLY GUIDE

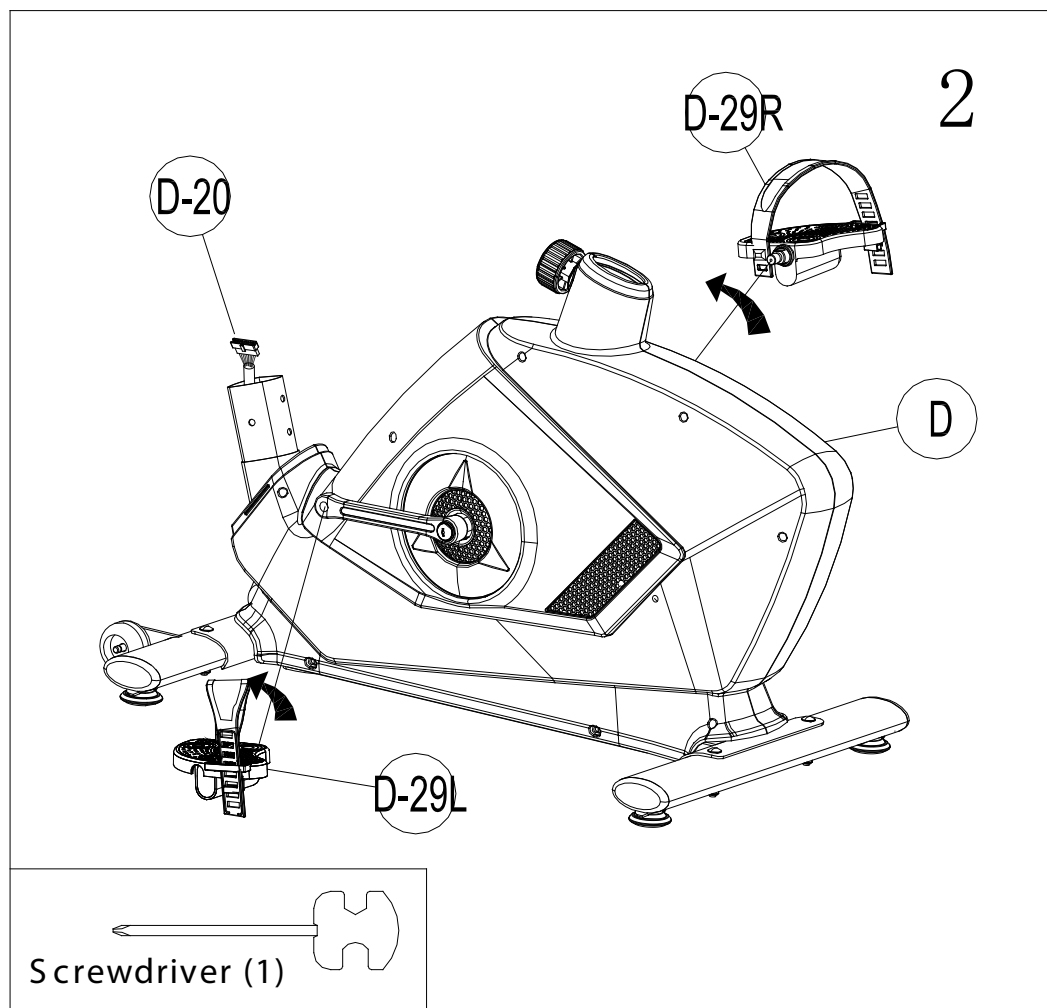
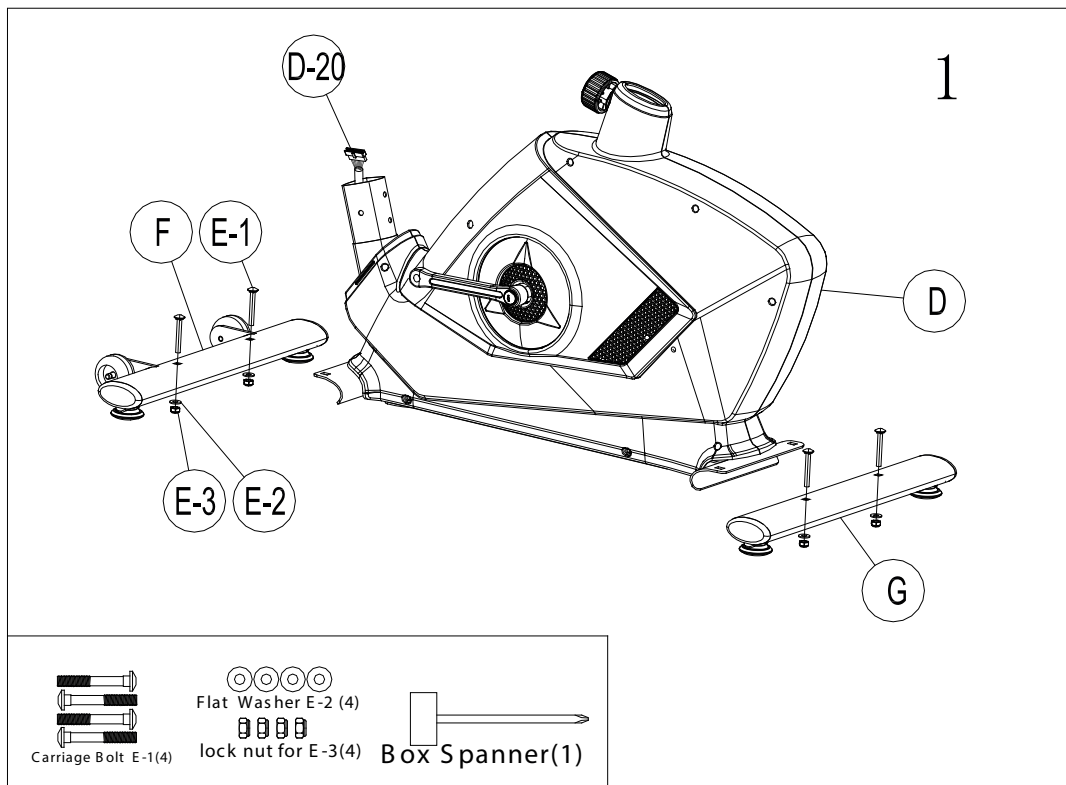


D		F G	
B D-32 D-33		D-29 D-35	
A D-34		C	
D-30 D-31		H	
		E	

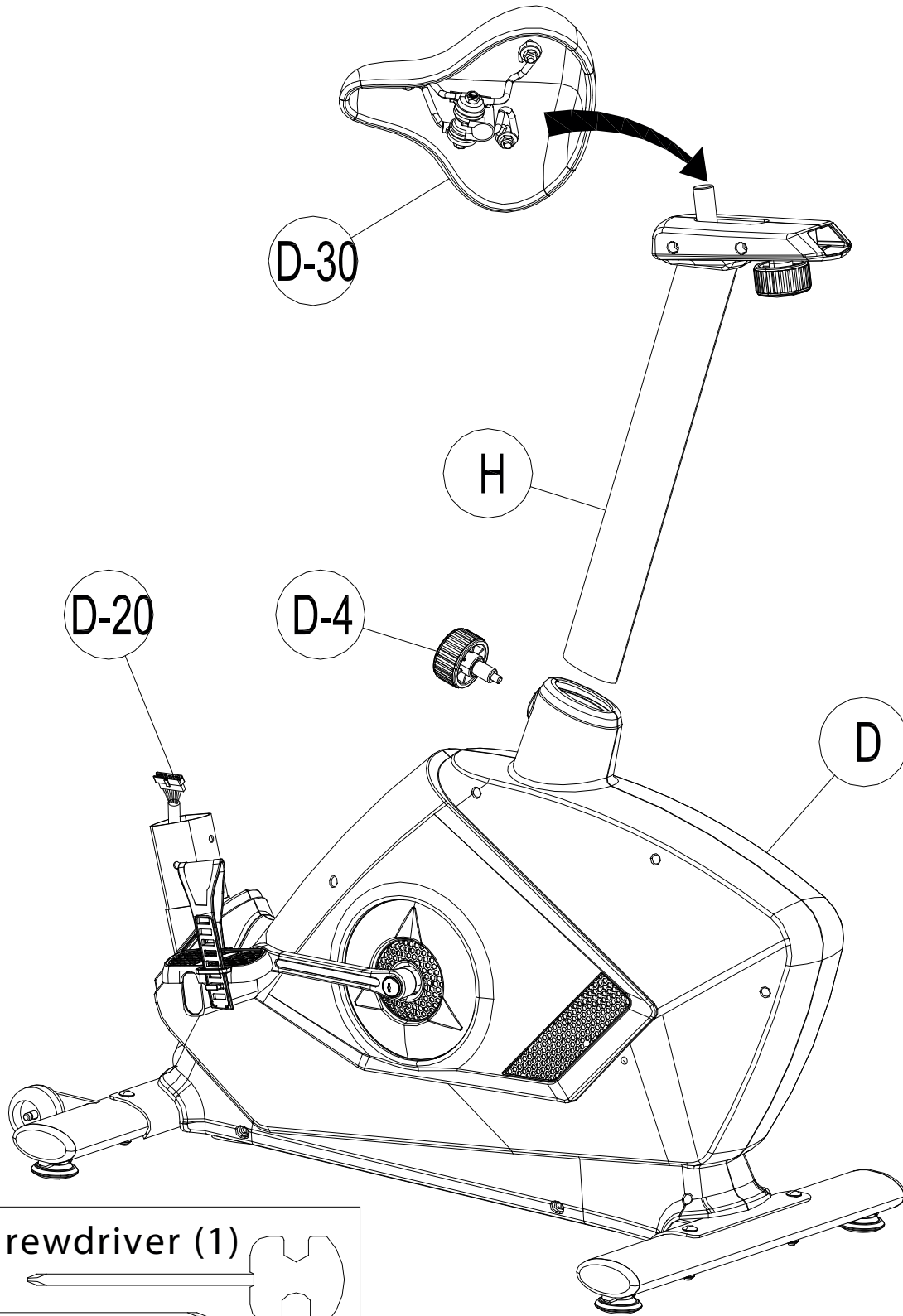
GB60



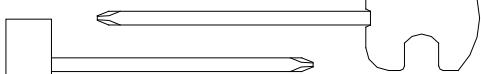
ONE GB60 ASSEMBLY GUIDE



3

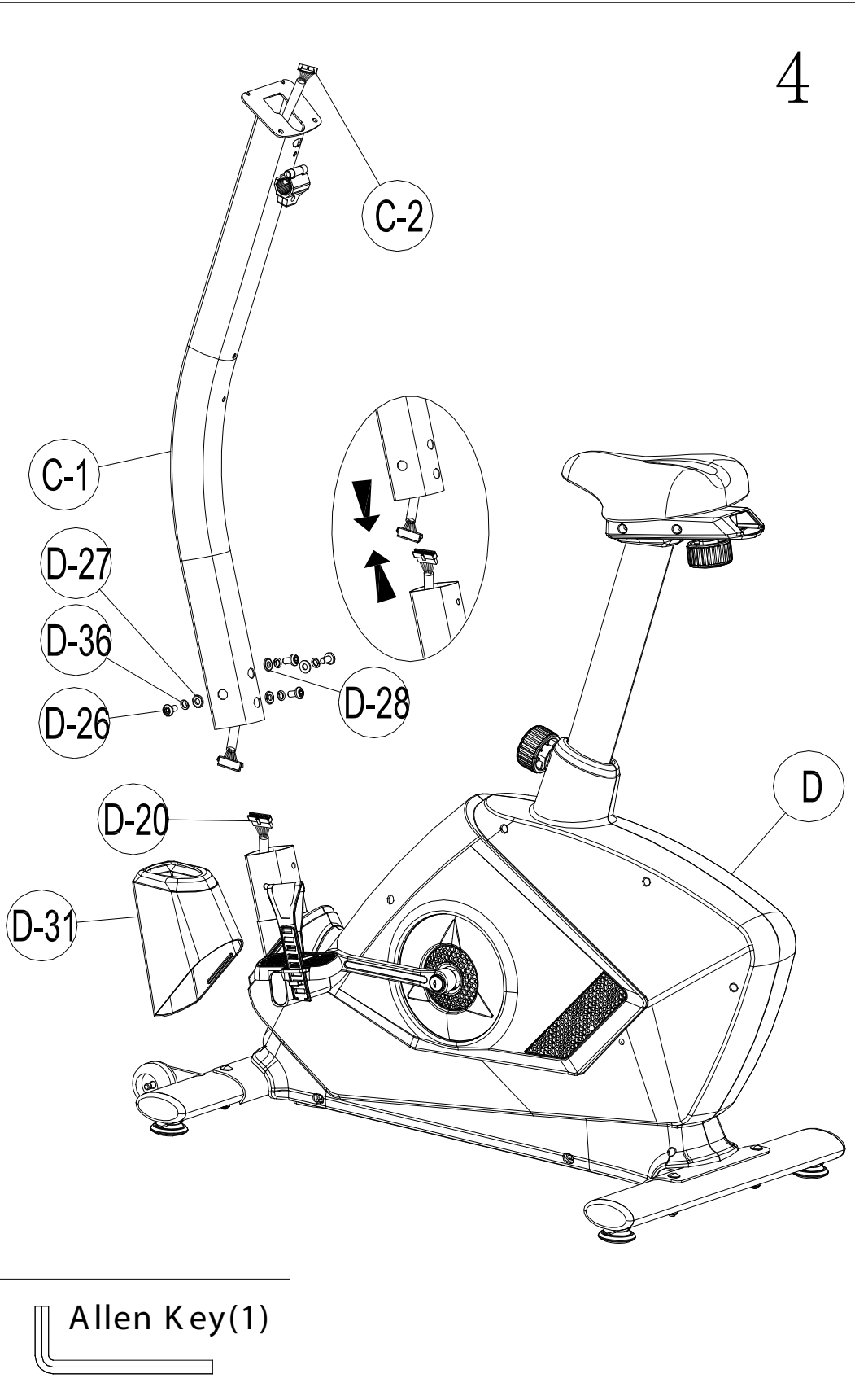


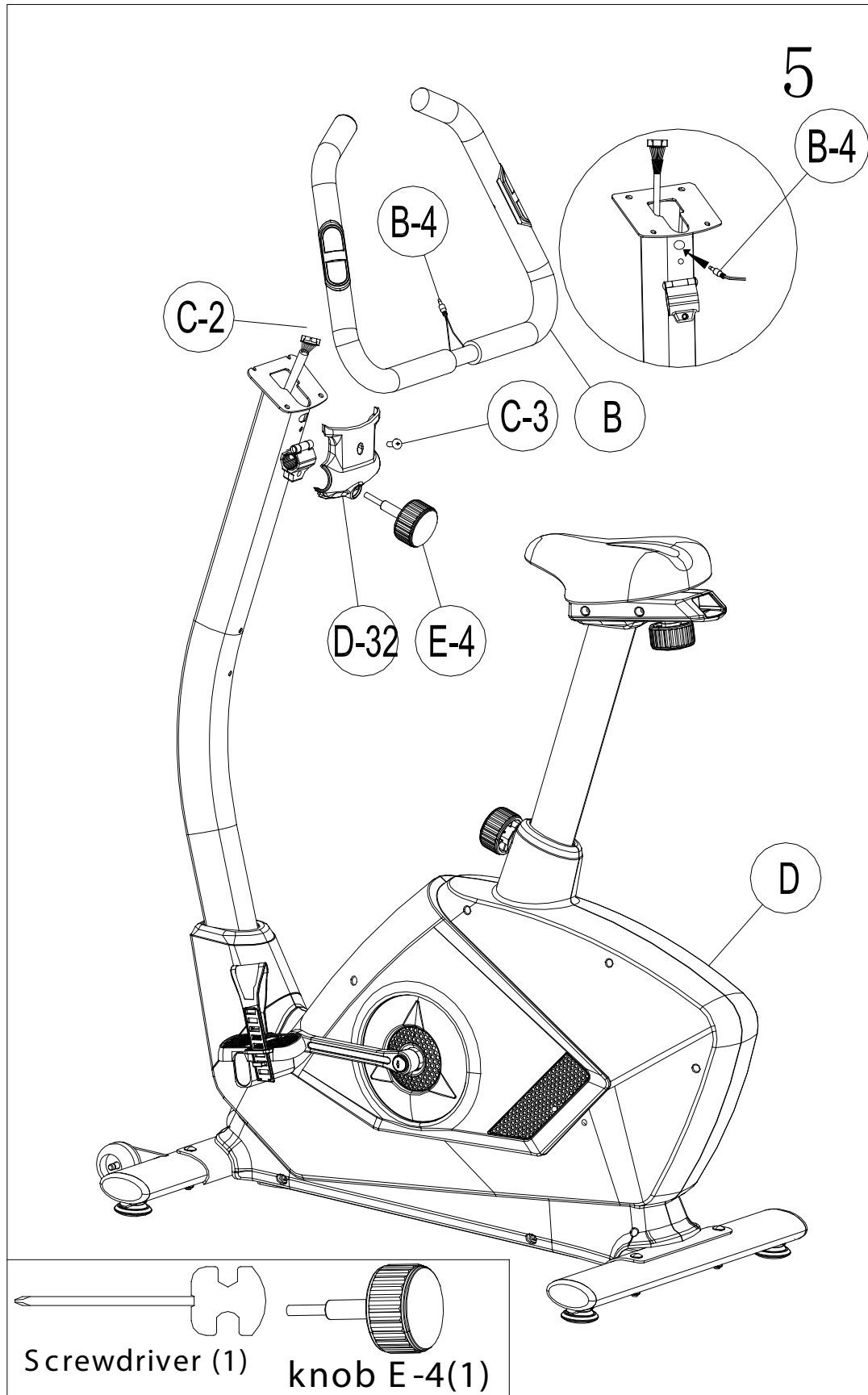
Screwdriver (1)



Box Spanner(1)

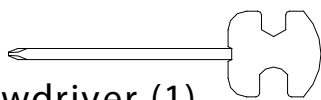
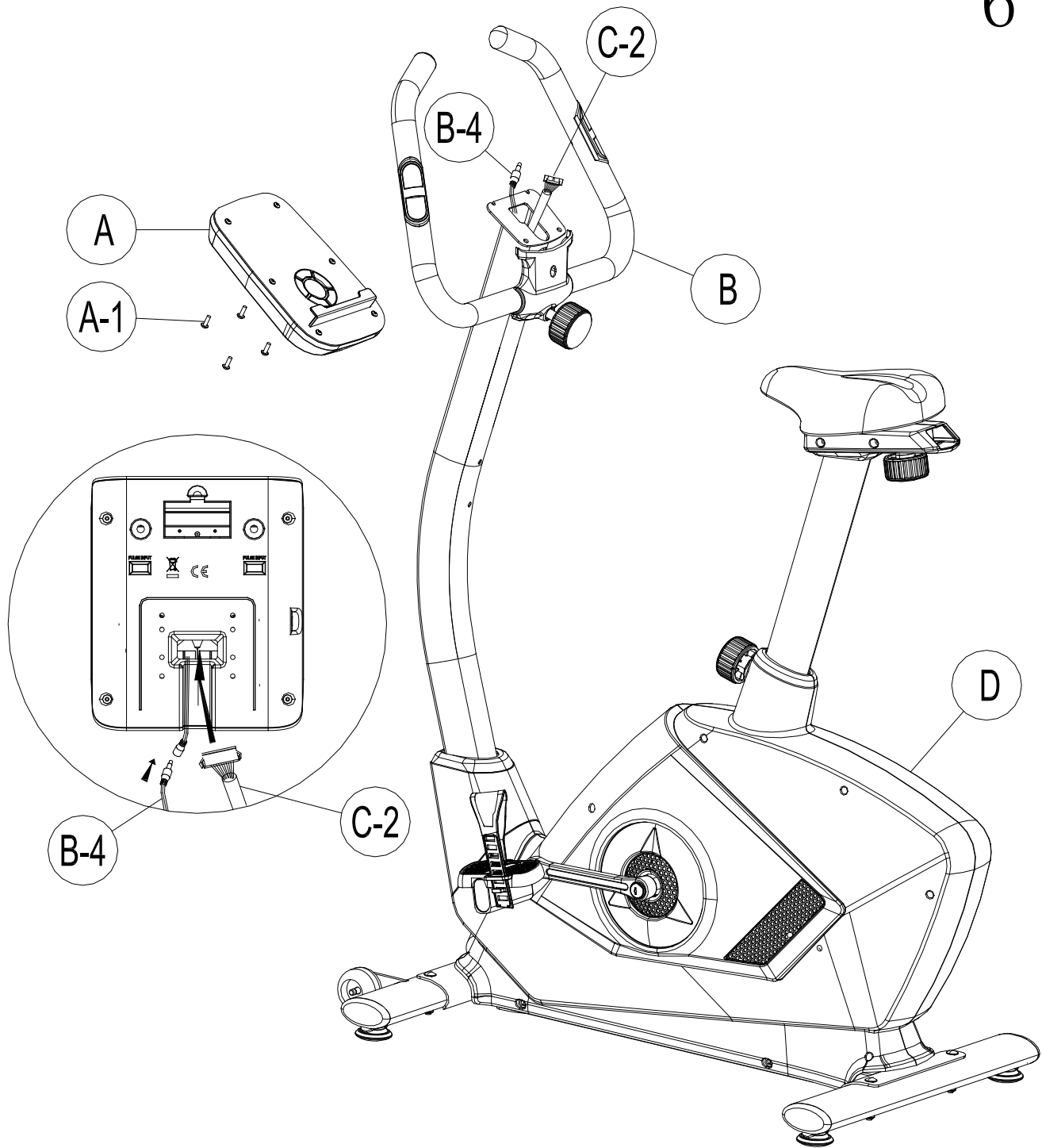
4



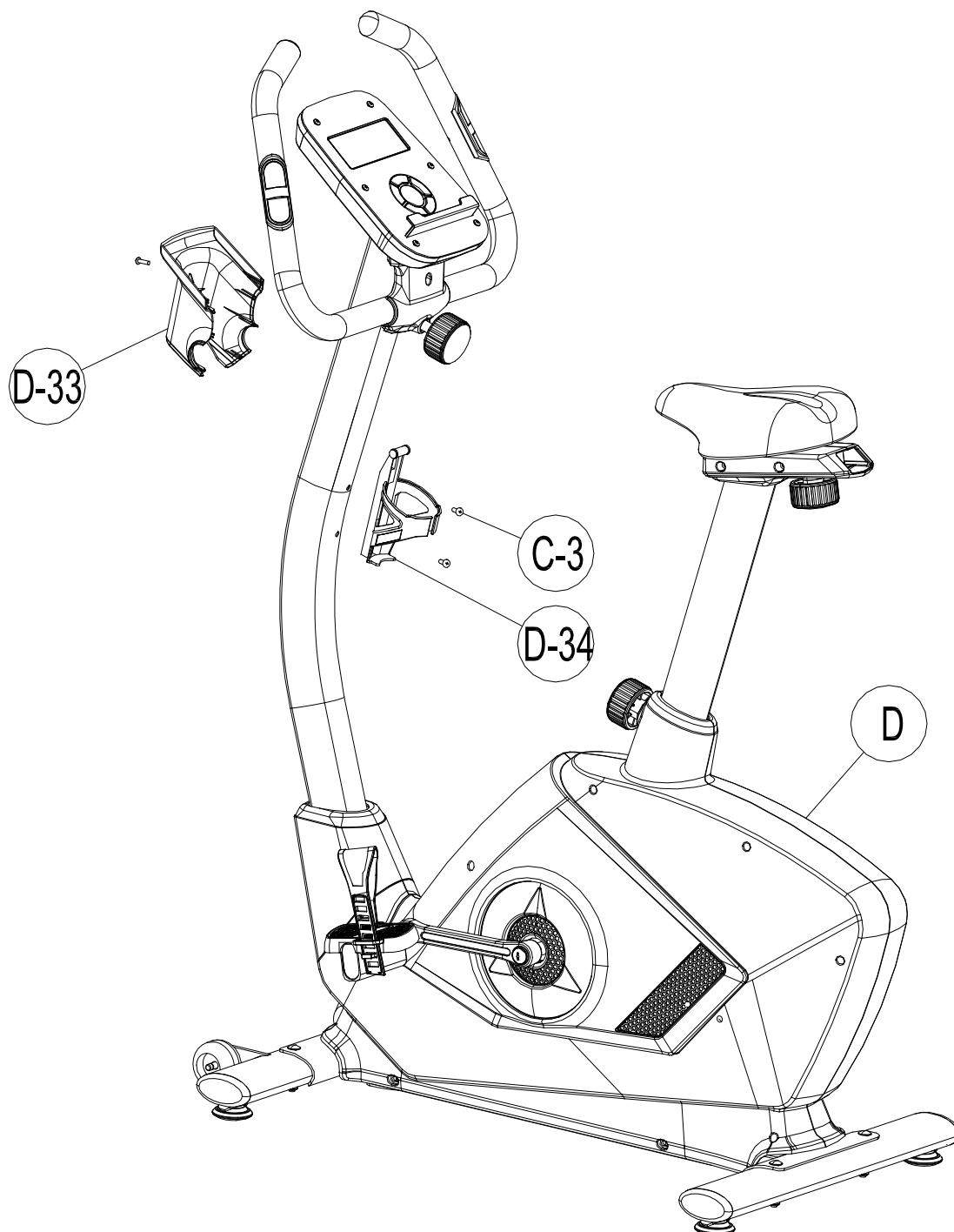


**ONE GB60
ASSEMBLY GUIDE**

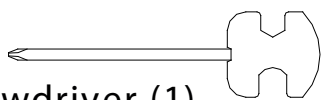
6



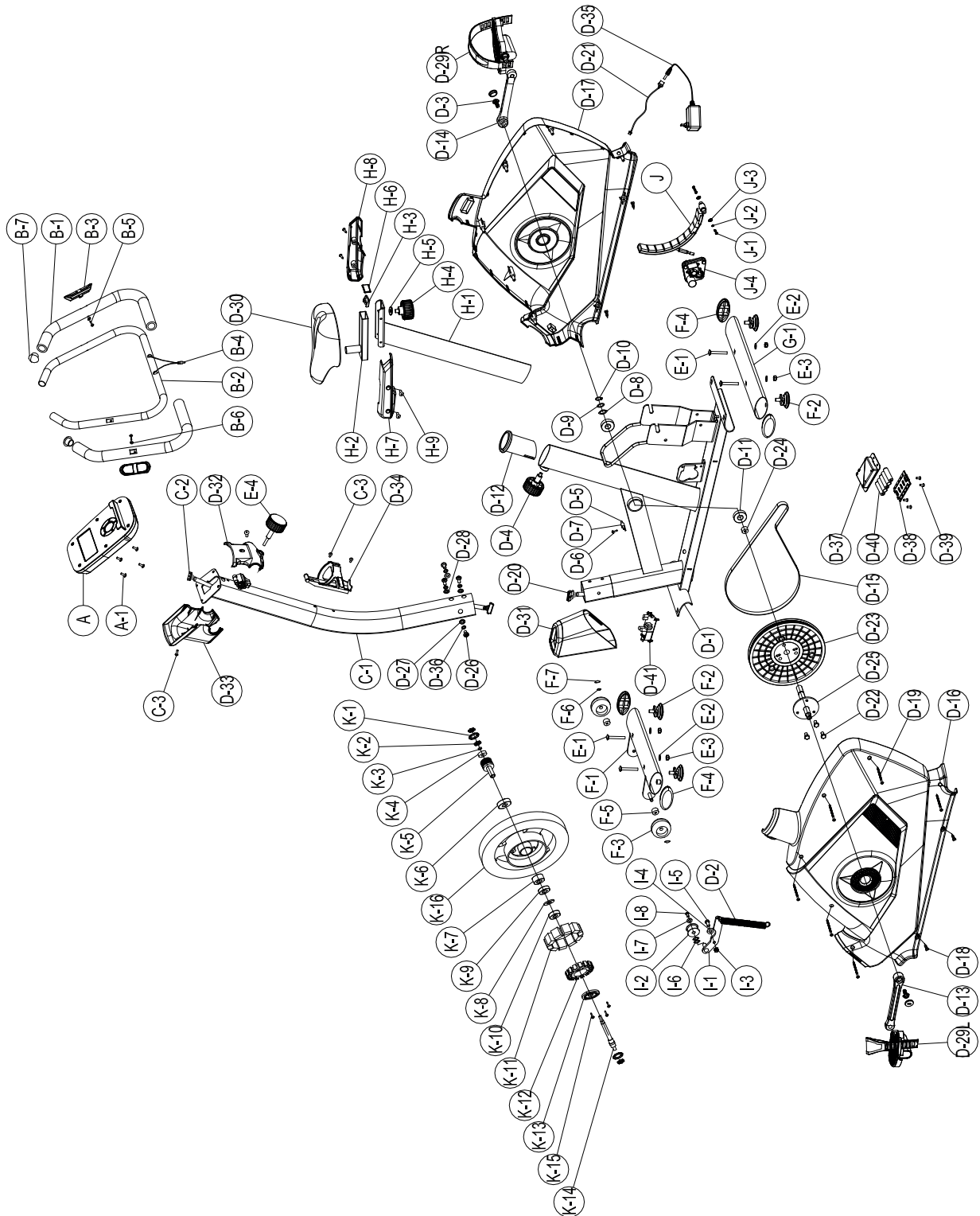
Screwdriver (1)

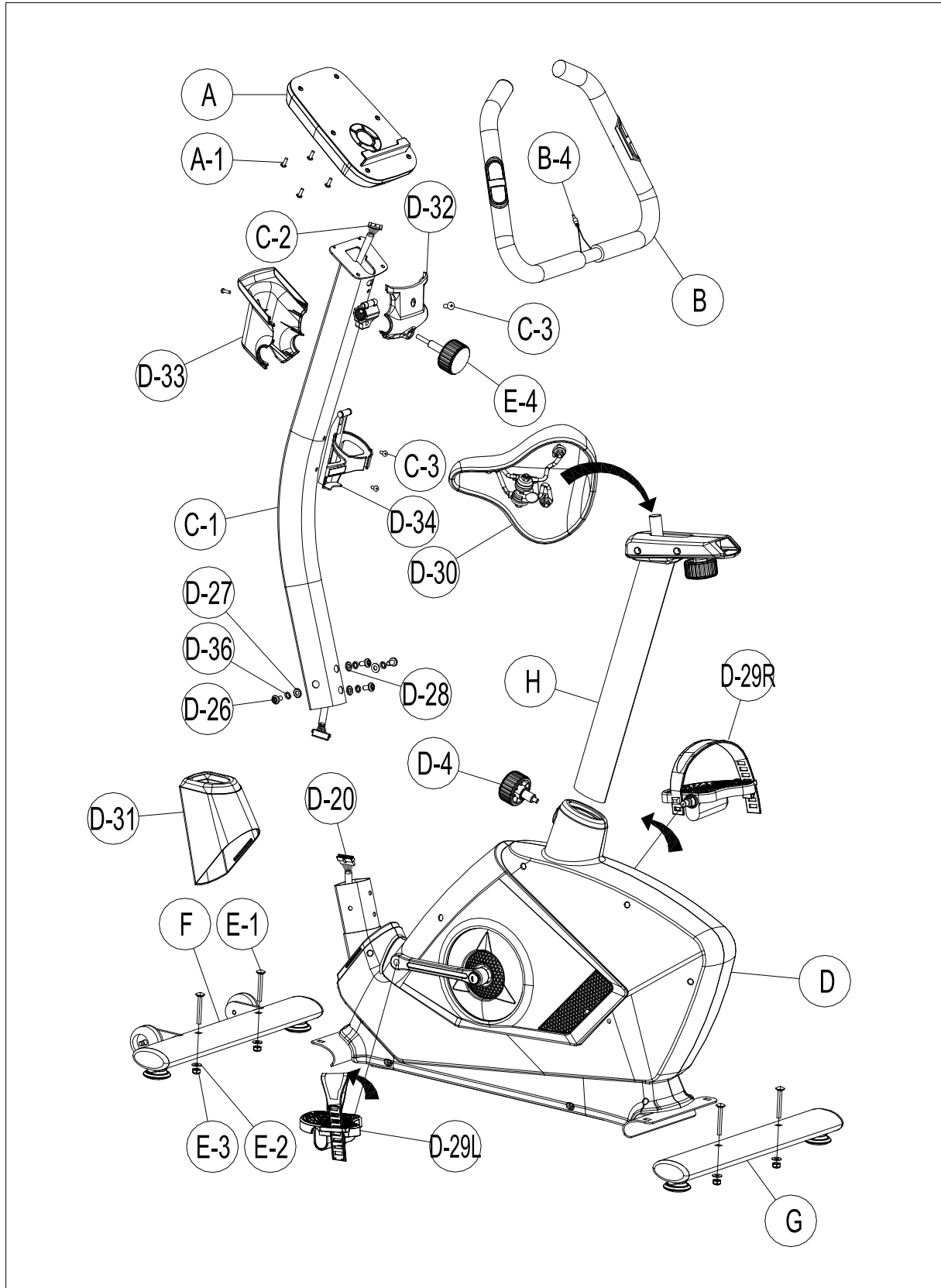


Screwdriver (1)



ONE GB60 ASSEMBLY GUIDE





ONE GB60

ASSEMBLY GUIDE

GB60 Spare Parts List

ITEM	DESCRIPTION	CHINESE	EVB SPEC.			
A	Console	电子表	PE-SG76490017102	SG7649-71	1	PCS
A-1	Screw	伞头十字螺絲	PD-SWM10510-1002	M5x10L(鍍) 30#	4	PCS
B	Handlebar set (incl. B-1~B-7)	扶手组立	AA-A-PA3169-9014	12B	1	SET
		WP1007-12B 手握	1PC1007-12B1	PIN固定-黑色*2PCS	1	SET
		手握中段线加工	36120-E206500650-000	立体I头+双端子(650mm,650mm)	1	PCS
B-1	Foam grip of handlebar	扶手套	PL-P-PB4009-1002	550xφ20x5m/m(STR)	2	PCS
	Handlebar	B3010 筒易扶手φ22.2	PT-P-PB5023-1082	表面鍍鋅处理(粗牙)	1	SET
		WP1007-12B 手握	1PC1007-12B1	PIN固定-黑色*2PCS	1	SET
		手握中段线加工	36120-E206500650-000	立体I头+双端子(650mm,650mm)	1	PCS
B-3	Hand pulse	WP1007-12B 手握	1PC1007-12B1	PIN固定-黑色*2PCS	2	SET
B-4	Hand pulse wire	手握中段线加工	36120-E206500650-000	立体I头+双端子(650mm,650mm)	1	PCS
B-5	Screw	皿头十字自攻螺絲	PD-SUM10420-1002	M4x20(鍍黑鋅)	2	PCS
B-6	Semi circle washer	半圆华司	PH-P-PB4109-1002	1.5T (电泳黑)(Q235)	2	PCS
B-7	End cap	管塞	PL-P-PB1554L1002	φ7/8"(黑)(STR)	2	PCS
	Handlebar post set	扶手立管组立 GB50	AA-GB50FA02-9000	2011黑(表板PW4346)	1	SET
C-1		连接线加工	3192-CD11150CB1-60	mm 12P 母勾头(白)+12P 母包覆(黑)(P)	1	PCS
C-2	Upper cable wire	连接线加工	3192-CD11150CB1-60	mm 12P 母勾头(白)+12P 母包覆(黑)(P)	1	PCS
C-3	Screw	伞头十字螺絲	PD-SWM40520-1002	M5xP0.8x20L(鍍黑鋅)30#	4	PCS
D-1	Main frame set	车架组立	AA-GB60FA01-9000	2011 黑	1	SET
D-2	Ilder spring	压附弹簧	PH-P-PB1226-1000	ODφ16xφ2.0x35T	1	PCS
D-3	Nylon	螺絲耐落(六角)	PD-SEM10820-7600	M8xP1.0x20L(30#)等级:8.8级	2	PCS
D-4	Knob	透明拉销	PD-P-PB6913-1200	M16xP1.5x22L(黑/186C蓝)透明	1	PCS
D-5	Wire	感应线组加工	B7030-D10400D6-260	400mm2P 母勾头+开关盒D6	1	PCS
D-6	Screw	三角机械牙螺絲	PD-SDM20410-1041	M4x10L(鍍藍鋅)35#	1	PCS
D-7	Senor bracket	SENSOR固定架B42	PE-P-PB4310-1300	TU用(PE)蓝色	1	PCS
D-8	Wave washer	波形华司	PD-WD061725-1002	φ17.5xφ25x0.3t(黑)	1	PCS
D-9	Flat washer	平华司(Q235)	PD-WN121725-1002	φ17.5xφ25x0.3t黑	1	PCS
D-10	C ring	C型扣	PD-KCO11700-1002	φ17(黑)65Mn	1	PCS
D-11	Bearing	培林	PH-BA2-6203-1200	6203 (RS) 塑料壳 C0组(7~16)Um	2	PCS
D-12	Clamp	座管束9080	PL-P-PB2278-1002	(黑)(PP)	1	PCS
D-13	Left crank	L腿(含饰盖)	PH-P-PA-818-1041	方孔(9/16"牙)6.5"(斜度)(电镀)	1	PCS
D-14	Right crank	R腿(含饰盖)(45#)	PH-P-PA-819-1041	方孔(9/16"牙)6.5"(斜度)(电镀)	1	PCS
D-15	Belt	多沟皮带	PH-LJ6M1066-1000	J6 1066m/m(420J) 威格尔	1	PCS
D-16	Left cover(upper)	左盖(上盖) GB50	PL-C-GB5001-1002	黑色射出(ABS)	1	PCS
D-17	Right cover (lower)	右盖(下盖) GB50	PL-C-GB5011-1002	黑色射出(ABS)	1	PCS
D-18	Screw	伞头十字自攻螺絲	PD-SBM10516-1202	M5x16(钢质)鍍黑鋅	4	PCS
D-19	Screw	伞头十字自攻螺絲	PD-SBM40440-1002	M4x40L(鍍黑鋅)35#	6	PCS
D-20	Wire of servo motor	马达线	3193-CC108002C1-10	12P 公勾头(白)+2P 公勾头70mm+3	1	PCS
D-21	DC wire	DC φ3 圆形管线	3192-3D107503H2-00	750mm 3P 母勾头+JACK 圆头	1	PCS
D-22	Screw	六角螺絲(30#)	PD-SHM20812-1102	M8xP1.25x12Lx5t 头 全牙(13边)黑	3	PCS
D-23	Pulley	多沟皮带轮(塑料品)	PL-PJ6B2401-1002	φ240x6 沟(天心φ17)磁石在远端	1	PCS
D-24	Bushing	套筒	PH-P-PB3630-1000	φ22xφ17x7.5mmL	1	PCS
D-25	Axle set	天心组(含天心固定片)	PH-P-PB5184-1000	φ17*178L	1	PCS
D-26	Screw	伞头内六角割尾螺絲	PD-SRM40816-1002	M8*P1.25*16L(6m/m)(鍍黑鋅)全牙	4	PCS
D-27	Flat washer	平华司	PD-WN240819-1002	φ8xφ19x2t(鍍黑鋅)	2	PCS
D-28	Semi washer	半圆华司	PD-WA220819-1102	φ8xφ19x2t(鍍黑鋅)	2	PCS
D-29	Pedal	踏板	PS-P-PB5907-1302	J028 9/16" 黑/108C黄 普通扣	1	SET
D-30	Saddle	座垫	PS-P-PB-240-1402	ND-24A有取附式黑(芙蓉皮)	1	PCS
D-31	Cap of handlebar post	扶手立管饰盖 GB50	PL-C-GB5090-1002	黑色射出(ABS)	1	PCS
D-32	Front cover of handlebar	新前托盘	PL-SB03-003-1002	黑色 ABS	1	PCS
D-33	Rear cover of handlebar	新后托盘	PL-SB03-013-1002	黑色 ABS	1	PCS
D-34	Water bottle holder	水壶架	PL-P-PB2074-1037	2935C 蓝(尼龙)	1	PCS
D-35	Adapter	整流器(符合Erp)	PE-P-PB6829-1300	atching power,DC 9V/500mA(英规)3扁P	1	PCS
D-36	Spring washer	弹簧华司	PD-WS220800-1002	φ8.1*φ12.9*2.4T(鍍黑鋅)	4	PCS
D-37	Lower battery box cover	电池盒下盖	PL-P-PB5558-10W5	RAL7035浅灰(阻然ABS) 无柱	1	PCS
D-38	Upper battery box cover	电池盒上盖	PL-P-PB5571-10W5	RAL7035浅灰(阻然ABS)	1	PCS
D-39	Screw	伞头十字自攻螺絲	PD-SBM20516-1241	M5x16L(鍍)钢质	4	PCS
D-40	Battery	电池	PE-P-PB5574-1000	镍氢电池, AAJ1200mAh	5	PCS
D-41	Control Board	PCB焊接 EB-GPS-A05	1PB-EB-GPS-A05	版本20110810	1	PCS
E	Hardware kit	零件包	AA-GB40FA03-9000	鍍黑鋅(吸塑包装)	1	SET
E-1	Screw	马车螺絲	PD-SMM40855-1002	M8xP1.25x55L(鍍黑鋅)(半牙)	4	PCS
E-2	Flat washer	平华司	PD-WN240819-1002	φ8xφ19x2t(鍍黑鋅)	4	PCS
E-3	Nut	尼龙螺帽	PD-NNM20800-1002	M8(鍍黑鋅)	4	PCS

E-4	Knob of handlebar	透明扶手旋钮	PL-P-PB6915-1200	P1.25x65L(牙长30)黑/2935C蓝透明	台	1	PCS
F-1	Front stabilizer	前脚管组立	AA-GB40FA04-9200	2011黑		1	SET
F-2	Nap	调整脚垫 NDC	PL-P-PB2796L1002	色(PVC)φ50 搭配3/8"-16x3t(钨)小脚垫		4	PCS
F-3	Roller	活动滚轮 F20	PL-P-PB3031-1200	黑色(PA6)		2	PCS
F-4	End cap	正椭40*80 脚管管塞BRFD	PL-P-PB5062-1037	2935C蓝 ABS		4	PCS
F-5	Bushing	套筒	PH-P-PB3112-1000	φ8.5*φ12.5*5mmL		2	PCS
F-6	C ring	C形扣(黑)	PD-KC010800-1002	φ8		2	PCS
F-7	Nut	快速螺帽	PD-NQM10800-1002	M8		2	PCS
G-1	Rear stabilizer	后脚管组立	AA-GB40FA05-9000	2011黑		1	SET
H-1	Seat post	座管组立电镀	MT-GB40FW03-7300	电镀		1	SET
H-2	Rail tube	座椅滑动管电镀	MT-B2010FW047300	电镀		1	PCS
H-3	Screw bracket of rail tube	座椅滑动管固定螺丝座	PD-P-PB2293-1000	镀锌 7/16"-14		1	PCS
H-4	Knob of seat	透明座椅旋钮	PD-P-PB6914-1100	7/16"x20L(黑/2935C蓝)透明		1	PCS
H-5	Flat washer	平华司	PD-WN321425-1041	φ14.3xφ25x2.0t(钨)		1	PCS
H-6	End cap	管塞(2710)	PL-P-PB1577L1002	20*40(黑色)PVC		1	PCS
H-7	Left cover of rail tube	座椅滑动管饰盖左GB50	PL-C-GB500D-1002	黑色射出(ABS)		1	PCS
H-8	Right cover of rail tube	座椅滑动管饰盖右GB50	PL-C-GB501D-1002	黑色射出(ABS)		1	PCS
H-9	Screw	伞头十字螺丝	PD-SWM20506-1002	M5x6L(黑)30#		4	PCS
I-1	Idler	压附杆组立	AA-A-PA3248-9000	TU-BR		1	SET
I-2	Jockey wheel	压附轮(含6000培林2PCS)BIKE	PH-P-PB3851-1000	φ24xφ37x20.5mmL(表面发黑)		1	PCS
I-3	Nut	尼龙螺帽	PD-NNM20800-1041	M8(钨)30#		1	PCS
I-4	Flat washer	平华司	PD-WN110825-1141	φ8.5xφ25x1t(钨)		1	PCS
I-5	Screw	六角螺丝	PD-SHM20820-1141	M8xP1.25x20L(钨)(全牙)		1	PCS
I-6	Wave washer	波形华司	PD-WD061015-1002	φ10.5xφ15x0.3t(发黑)65Mn		2	PCS
I-7	Flat washer	平华司	PD-WN120612-1041	φ6xφ12x1t(钨)		1	PCS
I-8	Screw	六角螺丝	PD-SHM10612-1002	M6xP1.0x12L(黑)30# 10对边 全牙		1	PCS
J	Magnet set	新磁控组组立	AA-A-PA3431-9800	10颗铁氧体磁石 向上翻		1	SET
J-1	Screw	六角螺丝	PD-SHM20616-1041	M6xP1.0*16L(钨)30#		2	PCS
J-2	Spring washer	弹簧华司	PD-WS210600-1041	φ6(钨)65Mn		2	PCS
J-3	Flat washer	平华司	PD-WN120613-1041	φ6xφ13x1t(钨)Q235		2	PCS
J-4	Servo motor set	24齿齿轮箱EB采购组立	AA-A-PA3235-9202	BLE线 1000L EB-G款调节螺杆短PB64		1	SET
K	Wire of servo motor	马达线	3193-CC108002C1-10	12P公勾头(白)+2P公勾头70mm+3		1	PCS
K-1	Flywheel set	飞轮组立 TUBR	AA-A-PA3481-9102	(多沟皮带轮)(黑色飞轮)皮带轮30		1	SET
K-1	Star washer	星形华司	PD-WO121017-1041	φ10xφ17x1t(外齿)30#		2	PCS
K-2	Nut	螺帽	PD-NNI21224-1041	3/8"-26x4.5t(钨)30#		3	PCS
K-3	Bushing	套筒	PH-P-PA-008-1000	φ10xφ14x3mmL		1	PCS
K-4	Bearing	培林	PH-BA2-6900-1000	6900RS 塑料壳		1	PCS
K-5	Small pulley	多沟皮带轮(配单向培林用)	PH-P-PB4842-1000	J8xφ30		1	PCS
K-6	Bearing	培林	PH-BA2-6203-1100	6203(RS)塑料壳 C0组(6~12)Um		1	PCS
K-7	Single bearing set	单向培林组	PH-P-PB3485-1000	单向培林+滚针式棘轮套管(硬度30-35HRC)		1	PCS
K-8	Flat washer	平华司	PD-WN113034-1002	φ30xφ34x1t(黑)Q235		1	PCS
K-9	Bearing	培林	PH-BA2-6003-1000	6003RS 塑料壳		1	PCS
K-10	Bearing	培林	PH-BA2-6202-1000	6202RS 塑料壳		1	PCS
K-11	NGP magnet	GPS磁石(S极)(N极)	PH-P-PB5745-1000	24.8*15*28		5	SET
K-12	Coil set	发电机定子绕组	PD-P-PB5798-1000	通用		1	PCS
K-13	End cap for coil set	发电机端盖	PH-P-PB5795-1000	φ56*13T		1	PCS
K-14	Axle for flywheel	飞轮心轴	PH-P-PB5837-1002	3/8"-26*124L		1	PCS
K-15	Screw	丸头十字螺丝	PD-SVM20420-1041	M4xP1.0x20L(钨)		3	PCS
K-16	Flywheel set	飞轮(配铝圈)	PH-FAD25032L1002	φ250x32W 黑色 GPS		1	PCS



REEBOKFITNESSEQUIPMENT.COM/PRODUCTSUPPORT

Reebok
ONE SERIES