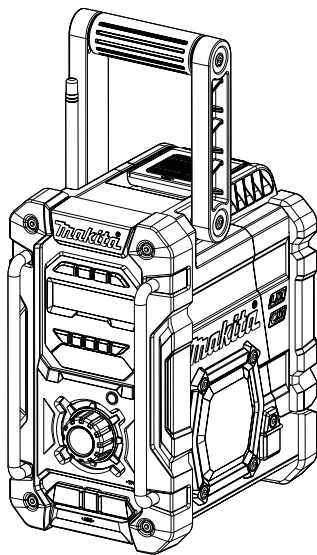
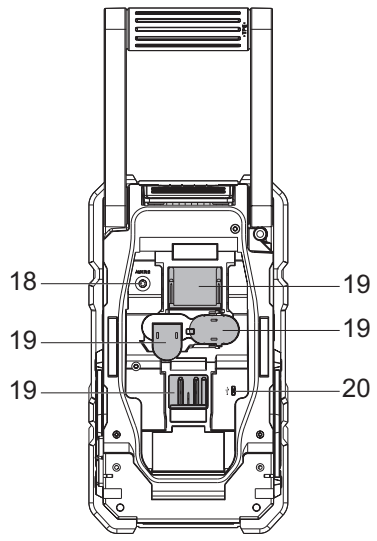
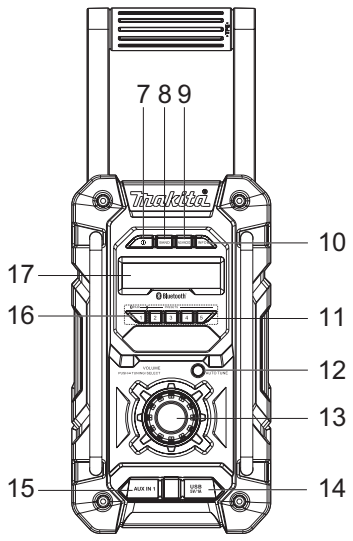
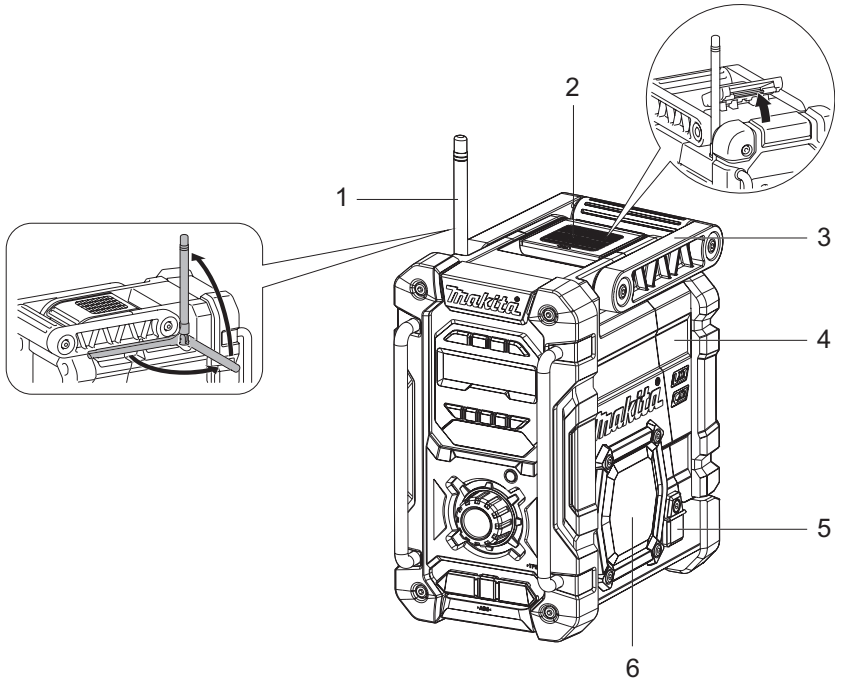


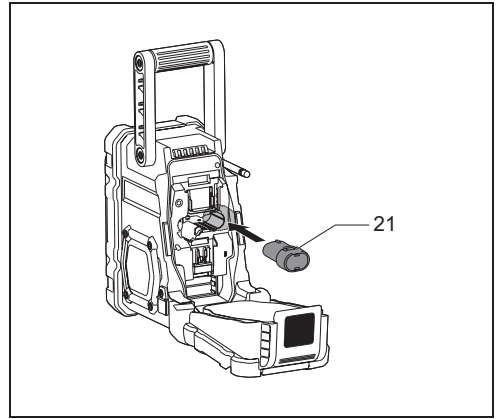
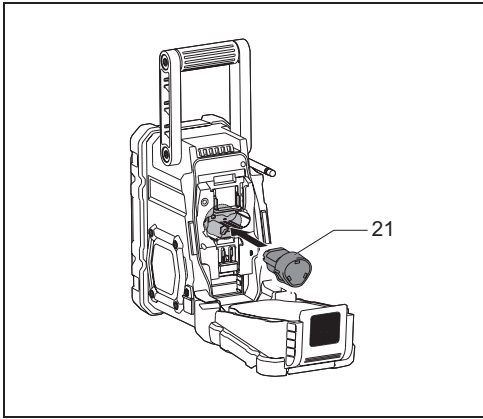
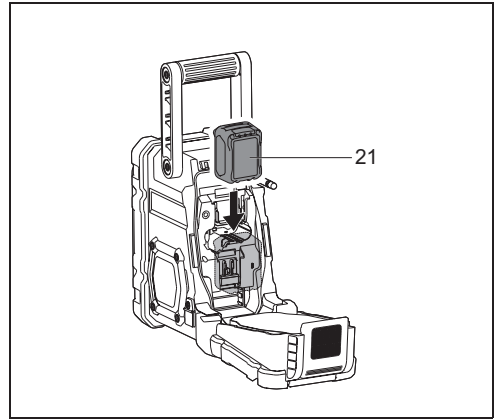
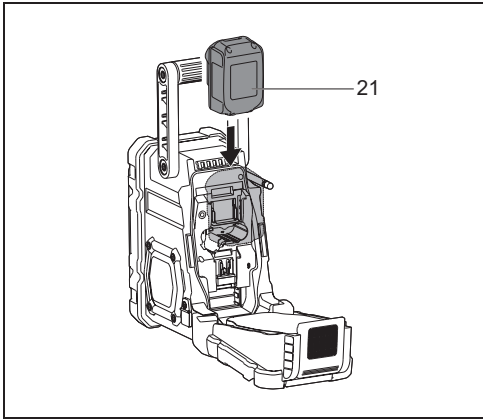


| | | | |
|----|----------------------------|--------------------------|----|
| EN | Job Site Radio | Instruction manual | 4 |
| FR | Radio de chantier | Manuel d'utilisation | 13 |
| DE | Baustellenradio | Bedienungsanleitung | 23 |
| IT | Radio per luoghi di lavoro | Manuale delle istruzioni | 33 |
| NL | Bouwradio | Handleiding | 43 |
| ES | Radio de Trabajo | Manual de instrucciones | 53 |
| PT | Rádio a Bateria | Manual de instruções | 63 |
| DA | Byggepladsradio | Brugsanvisning | 73 |
| EL | Ραδιόφωνο εργοταξίου | Εγχειρίδιο οδηγιών | 83 |
| TR | İşyeri Radyosu | Kullanma Kilavuzu | 93 |

DMR112







ENGLISH (Original instructions)

EXPLANATION OF GENERAL VIEW (Fig. 1~5)

1. Soft bended rod antenna
2. Battery compartment locker
3. Handle
4. Battery compartment cover (covering battery cartridge)
5. DC IN socket
6. Speaker
7. Power button
8. Band button
9. Advanced setting button
10. Info button
11. Preset 2-5
12. Auto tune button
13. Volume/Tuning Control/Select knob
14. USB power supply port
15. AUX IN 1
16. Preset 1/Bluetooth pairing button
17. LCD display
18. Input terminal (AUX IN 2)
19. Battery compartment
20. Micro USB port for software upgrade
21. Battery cartridge

SYMBOLS

The following show the symbols used for the equipment. Be sure that you understand their meaning before use.



Read instruction manual.



Only for EU countries.

Do not dispose of electric equipment or battery pack together with household waste material!
In observance of the European Directives, on Waste Electric and Electronic Equipment and Batteries and Accumulators and Waste Batteries and Accumulators and their implementation in accordance with national laws, electric equipment and batteries and battery pack(s) that have reached the end their life must be collected separately and returned to an environmentally compatible recycling facility.

IMPORTANT SAFETY INSTRUCTIONS

WARNING:

When using electric tools, basic safety precautions should always be followed to reduce the risk of fire, electric shock, and personal injury, including the following:

1. Read this instruction manual and the charger instruction manual carefully before use.
2. Clean only with dry cloth.
3. Do not install near any heat sources such as radiators, heat registers, stoves, or other apparatus (including amplifiers) that produce heat.
4. Only use attachments/accessories specified by the manufacturer.
5. Unplug this apparatus during lightning storms or when unused for long periods of time.
6. A battery operated radio with integral batteries or a separate battery pack must be recharged only with the specified charger for the battery. A charger that may be suitable for one type of battery may create a risk of fire when used with another battery.
7. Use battery operated radio only with specifically designated battery packs. Use of any other batteries may create a risk of fire.
8. When battery pack is not in use, keep it away from other metal objects like: paper clips, coins, keys, nails, screws, or other small metal objects that can make a connection from one terminal to another. Shorting the battery terminals together may cause sparks, burns, or a fire.
9. Avoid body contact with grounded surfaces such as pipes, radiators, ranges and refrigerators. There is an increased risk of electric shock if your body is grounded.
10. Under abusive conditions, liquid may be ejected from the battery; avoid contact. If contact accidentally occurs, flush with water. If liquid contacts eyes, additionally seek medical help. Liquid ejected from the battery may cause irritation or burns.
11. Do not use a battery pack or tool that is damaged or modified. Damaged or modified batteries may exhibit unpredictable behaviour resulting in fire, explosion or risk of injury.
12. Do not expose a battery pack or tool to fire or excessive temperature. Exposure to fire or temperature above 130 °C may cause explosion.
13. Follow all charging instructions and do not charge the battery pack or tool outside the temperature range specified in the instructions. Charging improperly or at temperatures outside the specified range may damage the battery and increase the risk of fire.
14. The MAINS plug is used as the disconnect device, and it shall remain readily operable.

15. Do not use the product at a high volume for any extended period. To avoid hearing damage, use the product at moderate volume level.
 16. (For products with LCD display only) LCD displays include liquid which may cause irritation and poisoning. If the liquid enters the eyes, mouth or skin, rinse it with water and call a doctor.
 17. Do not expose the product to rain or wet conditions. Water entering the product will increase the risk of electric shock.
 18. This product is not intended for use by persons (including children) with reduced physical, sensory or mental capabilities, or lack of experience and knowledge, unless they have been given supervision or instruction concerning use of the product by a person responsible for their safety. Children should be supervised to ensure that they do not play with the product. Store the product out of the reach of children.
11. The contained lithium-ion-batteries are subject to the Dangerous Goods Legislation requirements. For commercial transports e.g. by third parties, forwarding agents, special requirement on packaging and labeling must be observed.
For preparation of the item being shipped, consulting an expert for hazardous material is required. Please also observe possibly more detailed national regulations.
Tape or mask off open contacts and pack up the battery in such a manner that it cannot move around in the packaging.
 12. Follow your local regulations relating to disposal of battery.
 13. Use the batteries only with the products specified by Makita. Installing the batteries to non-compliant products may result in a fire, excessive heat, explosion, or leak of electrolyte.

SAVE THESE INSTRUCTIONS

SPECIFIC SAFETY RULES

FOR BATTERY CARTRIDGE

1. Before using battery cartridge, read all instructions and cautionary markings on (1) battery charger, (2) battery, and (3) product using battery.
2. Do not disassemble battery cartridge.
3. If operating time has become excessively shorter, stop operating immediately. It may result in a risk of overheating, possible burns and even an explosion.
4. If electrolyte gets into your eyes, rinse them out with clear water and seek medical attention right away. It may result in loss of your eyesight.
5. Do not short the battery cartridge:
 - (1) Do not touch the terminals with any conductive material.
 - (2) Avoid storing battery cartridge in a container with other metal objects such as nails, coins, etc.
 - (3) Do not expose battery cartridge to water or rain. A battery short can cause a large current flow, overheating, possible burns and even a breakdown.
6. Do not store the tool and battery cartridge in locations where the temperature may reach or exceed 50°C (122°F).
7. Do not incinerate the battery cartridge even if it is severely damaged or is completely worn out. The battery cartridge can explode in a fire.
8. Be careful not to drop or strike battery.
9. Do not use a damaged battery.
10. To avoid risk, the manual of replaceable the battery should be read before use. And the max discharging

⚠ CAUTION:

- Danger of explosion if battery is incorrectly replaced.
- Replace only with the same or equivalent type.
- Only use genuine Makita batteries. Use of non-genuine Makita batteries, or batteries that have been altered, may result in the battery bursting causing fires, personal injury and damage. It will also void the Makita warranty for the Makita tool and charger.

Tips for maintaining maximum battery life

1. Charge the battery cartridge before completely discharged. Always stop tool operation and charge the battery cartridge when you notice less tool power.
2. Never recharge a fully charged battery cartridge. Overcharging shortens the battery service life.
3. Charge the battery cartridge with room temperature at 10°C - 40°C (50°F - 104°F). Let a hot battery cartridge cool down before charging it.
4. Charge the battery cartridge if you do not use it for a long period (more than six months).

OPERATING TIME

* The following table indicates the operating time on a single charge.

| Battery capacity | Battery cartridge voltage | | | | | AT SPEAKER OUTPUT = 100mW Unit: Hour (Approximately) | |
|------------------|---------------------------|--------|--------------------|-------------------|-------------------|---|--------------------------------------|
| | 7.2 V | 10.8 V | 10.8 V – 12Vmax | 14.4 V | 18 V | In radio or AUX | In radio with USB charging (1.0A) |
| 1.0 Ah | BL7010 | | | | | 5.0 | 0.7 |
| 1.3 Ah | | BL1013 | | | | 7.0 | 0.9 |
| | | | | BL1415 | | 5.5 | 1.7 |
| | | | | | BL1815 | 6.0 | 1.9 |
| 1.5 Ah | BL0715 | | | | | 7.5 | 1.0 |
| | | | BL1015 BL1016 | | | 8.5 | 1.7 |
| | | | | BL1415N | | 7.0 | 2.0 |
| | | | | | BL1815N | 7.5 | 2.0 |
| 2.0 Ah | | | BL1020B BL1021B | | | 11 | 2.0 |
| | | | | | BL1820 BL1820B | 10 | 3.0 |
| 3.0 Ah | | | | BL1430 BL1430B | | 12 | 3.5 |
| | | | | | BL1830 BL1830B | 14 | 4.0 |
| 4.0 Ah | | | BL1040B BL1041B | | | 21 | 4.0 |
| | | | | BL1440 | | 19 | 5.5 |
| | | | | | BL1840 BL1840B | 20 | 6.0 |
| 5.0 Ah | | | | BL1450 | | 23 | 6.5 |
| | | | | | BL1850 BL1850B | 26 | 8.0 |
| 6.0 Ah | | | | BL1460B | | 25 | 7.5 |
| | | | | | BL1860B | 31 | 9.5 |

 : Cluster battery  : Slide battery

⚠ WARNING:

Only use the battery cartridges listed above. Use of any other battery cartridges may cause injury and/or fire.

NOTE:

Table regarding to the battery operating time above is for reference. The actual operating time may differ with the type of the battery, charging condition, or usage environment.

INSTALLATION AND POWER SUPPLY

⚠ CAUTION:

- Be careful not to pinch your fingers when opening and closing the battery cover.
- Return the battery compartment locker to the original position, after installing or removing battery cartridge. If not, battery cartridge may accidentally fall out of the radio, causing injury to you or someone around you.
- Always close and lock the battery compartment locker before moving the radio.
- Always switch off the radio before installing or removing the battery cartridge.
- Be careful not to drop or strike the radio. Broken shell may slash your finger or stab your body. Damaged radio may exhibit unpredictable behaviour resulting in fire, explosion or risk of injury.

IMPORTANT:

- Reduced power, distortion, "stuttering sound" or when "POWERFAIL" appears on the display are all the signs that the main battery pack needs to replace.
- The battery cartridge can't be charged via the supplied AC power adaptor.
- The battery cartridge is not included as standard accessories.

Installing or removing Slide battery cartridge (Fig. 2 & 3)

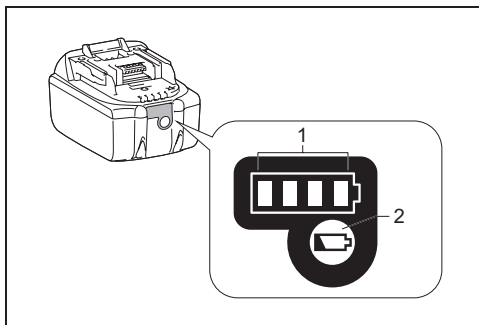
1. To install the battery cartridge, align the tongue on the battery cartridge with the groove in the housing and slip it into place. Always insert it all the way until it locks in place with a little click.
2. If you can see the red indicator on the upper side of the button, it is not locked completely. Install it fully until the red indicator cannot be seen. If not, it may accidentally fall out of the radio, causing injury to you or someone around you.
3. Do not use force when installing the battery cartridge. If the cartridge does not slide in easily, it is not being inserted correctly.
4. To remove the battery cartridge, slide it from the radio while sliding the button on the front of the cartridge.

Installing or removing Cluster battery cartridge (Fig. 4 & 5)

1. To insert the battery cartridge, align the tongue on the battery cartridge with the groove in the housing and slip it into place.
2. To remove the battery cartridge, take the battery out of the terminal while pressing the buttons on the side of cartridge.

Indicating the remaining battery capacity

* Only for battery cartridges with "B" at the end of the model number.



➤ 1. Indicator lamps 2. Check button

Press the check button on the battery cartridge to indicate the remaining battery capacity. The indicator lamps light up for few seconds.

• 14.4V/18V batteries

| Indicator or lamps | | | Remaining Capacity |
|--------------------|-----|----------|------------------------------------|
| Lighted | Off | Blinking | |
| ■ | ■ | ■ | 75% ~ 100% |
| ■ | ■ | □ | 50% ~ 75% |
| ■ | □ | □ | 25% ~ 50% |
| □ | □ | □ | 0% ~ 25% |
| ▣ | □ | □ | Charge the battery |
| ■ | ■ | □ | The battery may have malfunctioned |
| □ | □ | ■ | |

• 10.8V-12V max batteries

| Indicator or lamps | | | Remaining Capacity |
|--------------------|-----|----------|--------------------|
| Lighted | Off | Blinking | |
| ■ | ■ | ■ | 75% ~ 100% |
| ■ | ■ | □ | 50% ~ 75% |
| ■ | □ | □ | 25% ~ 50% |
| □ | □ | □ | 0% ~ 25% |

NOTE:

Depending on the conditions of use and the ambient temperature, the indication may differ slightly from the actual capacity.

Using the soft bended rod antenna (Fig. 1)

Straight up the soft bended rod antenna as shown in the figure.

Using supplied AC power adaptor

Remove the rubber protector and insert the adaptor plug into the DC socket on the right hand side of the radio.

Plug the adaptor into a standard mains socket outlet.

Whenever the adaptor is used, the battery pack is automatically disconnected.

⚠ CAUTION:

- **Always disconnected the AC power adapter completely before moving the radio. If the AC adapter is not removed, it may cause an electric shock.**
- **Never pulling and dragging the cord of the adapter. If not, the radio may accidentally fall down, causing injury to you or someone around you.**

IMPORTANT:

- The mains adaptor is used as the means of connecting the radio to the mains supply. The mains socket used for the radio must remain accessible during normal use.
- In order to disconnect the radio, the mains adaptor should be removed from the mains outlet completely.
- Use the AC power adaptor supplied with the product or specified by Makita only.
- Do not hold the power supply cable and plug by your mouth. Doing so might cause an electric shock.
- Do not touch the power plug with wet or greasy hands.
- Damaged or entangled cords increase the risk of electric shock. If the cord is damaged, have it replaced by our authorized service center in order to avoid a safety hazard. Do not use it before repair.
- After use, always store AC power adaptor out of the reach of children. If children play with the cord, they may suffer injury.

Charging with USB power supply port

There is the USB port at the front side of the radio. You can charge USB device through the USB port.

1. Connect the USB device, such as iPod, MP3, or CD player, with USB cable available in the market.
2. Press the Power button to switch on your radio.
3. No matter if the radio is AC powered or battery powered, the radio can charge the USB device when the radio is switched on and in FM/DAB radio mode, or BT mode, or AUX mode, which is appeared when an external audio source is connected.

NOTE:

- The maximum volume of the output power speaker will decrease when your USB is charging.
- The USB socket can provide max 1A5V of electrical current.

IMPORTANT:

- Before connecting USB device to the USB port, always backup your data of USB device. Otherwise your data may lose by any possibility.
- The radio may not supply power to some USB devices.
- When not using or after charging, remove the USB cable and close the cover.
- Do not connect power source to USB port. Otherwise there is risk of fire. The USB port is only intended for charging lower voltage device. Always place the cover onto the USB port when not charging the lower voltage device.
- Do not insert a nail, wire, etc. into USB power supply port. Otherwise a circuit short may cause smoke and fire.
- Do not connect this USB socket with your PC USB port, as it is highly possible that it may cause breakdown of the units.

LISTENING TO THE RADIO

This radio has three tuning methods- Scan tuning, Manual tuning and Memory presets recall.

Selecting a station – DAB

1. Press the Power button to switch on your radio.
2. Select the DAB mode by pressing the Band button.
3. Press the Advanced setting button and rotate the Volume/Tuning Control/Select knob until "Station List" is flashing on the screen. Press the Volume/Tuning Control/Select knob to enter the list of the stations.
4. Rotate the Volume/Tuning Control/Select knob to scroll through the list of available stations. Press the knob to select the station.
5. Adjust the desired volume by rotating the Volume/Tuning Control/Select knob.

Display modes – DAB

Your radio has a range of display options in the DAB mode.

Press the Info button to cycle through the various options shown in the following letters (a. to g.)

- | | |
|-------------------|---|
| a. Station name | Indicates the station name being listened to. |
| b. Program type | Indicates the type of station being listened to. E.g. Pop, Classics, News, etc. |
| c. Multiplex name | Indicates the name of the DAB multiplex to which the current station belongs. |

- d. Time & date Indicates the current time and date.
- e. Frequency and channel Indicates the frequency and channel number for the currently tuned DAB station.
- f. Bit rate/ Audio type Indicates the digital audio bit rate and audio type for the currently tuned DAB station.
- g. Signal strength Indicates the signal strength for the currently tuned DAB station.

Finding new stations – DAB

From time to time, new DAB radio stations may become available. Or you may have moved to a different part of the country. In this case you may need to activate your radio to scan for new stations.

To allow the radio to find the available stations, it is recommended to carry out a full scan of the entire DAB Band III frequencies.

1. Press the Auto tune button.
2. Your radio will perform a full scan of the DAB frequencies. As new stations are found, the station counter on the left side in the display will increase and stations will be added to the list.

Manual tuning – DAB

Manual tuning allows you to tune your radio to a particular DAB frequency in Band III. This function can also be used to assist the positioning of the antenna or the radio so as to optimize reception for a specific channel or frequency.

1. Press the Advanced setting button and rotate the Volume/Tuning Control/Select knob until “Manual Tune” shown on the display. Press the Volume/Tuning Control/Select knob to enter the manual tuning mode.
2. Rotate the Volume/Tuning Control/Select knob to select the desired DAB channel. Press Volume/Tuning Control/Select knob to confirm the chosen frequency.

Station order setup – DAB

Your radio has 3 station order settings from which you can choose. The station order settings are alphanumeric, ensemble and valid station.

1. Press the Advanced setting button.
2. Rotate the Volume/Tuning Control/Select knob until “Station order” appearing on the display, then press the Volume/Tuning Control/Select knob to enter the setting.
3. Rotate the Volume/Tuning Control/Select knob to select the following options and press the knob to confirm the setting.

| | |
|--------------|---|
| Alphanumeric | Sorts the station list alpha-numerically 0...9 A...Z |
| Ensemble | Organizes the station list by DAB multiplex |
| Valid | Shows only those stations for which a signal can be found |

Dynamic Range Control (DRC) – DAB

DRC feature can make quieter sounds easier to hear when your radio is used in a noisy environment by reducing the dynamic range of the audio signal. There are three levels of compression:

| | |
|---------|------------------------------|
| DRC 0 | No compression applied. |
| DRC 1/2 | Medium compression applied. |
| DRC 1 | Maximum compression applied. |

1. Press the Power button to switch on your radio.
2. Press the Band button to select the DAB band.
3. Press the Advanced setting button and rotate the Volume/Tuning Control/Select knob until “DRC Value” shown on the display. Then press the Volume/Tuning Control/Select knob to enter the setting. The display will show the current DRC value.
4. Rotate the Volume/Tuning Control/Select knob to select desired DRC setting.
5. Press the Volume/Tuning Control/Select knob to confirm the setting.

Scan Tuning – FM

1. Press the Power button to turn on the radio.
2. Select the desired waveband by pressing the Band button. Make sure the soft bended rod antenna has been well placed for best FM reception. Try to avoid operating the radio next to a computer screen and other equipment which will cause interference to the radio.
3. Press the Auto tune button and the radio will search and stop automatically when it finds a radio station. The radio will continue searching for the next available station unless the operator presses the Auto tune button to stop the scanning.
4. Rotate the Volume/Tuning Control/Select knob to get the desired sound level. The LCD display will show sound level changes.
5. To turn off the radio, press the Power button.

FM scan zone

When using FM mode, your radio can be set to scan either local stations or to scan all stations including distant radio stations.

1. Press the Power button to turn on the radio.
2. Press the Band button to select the FM band.
3. Press the Advanced setting button and then rotate the Volume/Tuning Control/Select knob until “FM Scan Zone” shows on the display. Press the Volume/Tuning Control/Select knob to enter the setting.
4. Rotate the Volume/Tuning Control/Select knob to switch between “Local” (Strong stations only) and “Distant” (All stations) options on the lower line of the display. The Distant option will allow the radio to find weaker signals when scanning.
5. Press the Volume/Tuning Control/Select knob to

confirm your selection. The Local or Distant setting is stored in the radio and remains in force until changed or until a System Reset.

Manual Tuning – FM

1. Press the Power button to turn on the radio.
2. Press the Band button to select desired waveband. Adjust the antenna as described above.
3. Rotate the Volume/Tuning Control/Select knob will change the frequency in the following increment: FM: 50 kHz.

NOTE:

In order to use the Volume/Tuning Control/Select knob to find your desired station, press the Volume/Tuning Control/Select knob to switch to the tuning control mode.

4. Keep rotating the Volume/Tuning Control/Select knob until desired frequency is shown on the display.
5. Rotate the Volume/Tuning Control/Select knob to get the desired sound level.
6. To turn off the radio, press the Power button.

Display modes – FM (RDS)

Your radio has a range of display options for FM radio mode.

Repeatedly press the Info button to view the RDS (Radio Data System) information of the station you are listening to.

- | | |
|--------------------|--|
| a. Program station | Indicates the name of the station being listened to. |
| b. Frequency | Indicates the frequency of the FM signal. |
| c. Radio text | Indicates text message such as new items, etc. |
| d. Program type | Indicates the type of station being listened to such as Pop, Classic, News, etc. |
| e. Time & date | Indicates the current time and date. |

Storing stations in preset memories (DAB and FM)

There are 5 memory presets for each waveband.

1. Press the Power button to turn on the radio.
2. Tune to the desired station using one of the methods previously described.
3. Press and hold the desired Preset button until the preset number shown on the display, for example, "P2 Saved". The station is then stored in the selected Preset button.
4. Repeat this procedure for the remaining presets.
5. Stations stored in the preset memories can be overwritten by following the procedures described above.

Recall stations from the preset memories (DAB and FM)

1. Press the Power button to turn on the radio.
2. Press the Band button to select your desired waveband.
3. Press the desired Preset button momentarily. The preset number and station frequency will appear in the display.

LISTENING TO MUSIC VIA BLUETOOTH STREAMING

You need to pair your Bluetooth device with the radio before you can auto-link to play/stream Bluetooth music through the radio. Pairing creates a 'bond' so two devices can recognize each other.

NOTE:

To have the better sound quality, we recommend setting the volume to more than two-thirds level on your Bluetooth device and then adjust the volume on the radio as required.

Pairing your Bluetooth device for the first time

1. Press the Power button to turn on the radio. Press the Band button to select Bluetooth mode. The Bluetooth indicator on the Preset buttons flashes blue to show the radio is discoverable.
2. Activate Bluetooth on your device according to the device's user manual to link to the radio. Locate the Bluetooth device list and select the device named 'DMR112' with some mobiles (which are equipped with earlier versions than BT2.1 Bluetooth device), you may need to input the pass code "0000".
3. Once connected, there will be a confirmation tone sound and the Bluetooth indicator on the Preset buttons will remain in solid blue. You can simply select and play any music from your source device. Volume control can be adjusted from your source device, or directly from the radio.
4. Use the controls on your Bluetooth-enabled device or on the radio to play/pause and navigate tracks.

NOTE:

1. If 2 Bluetooth devices, pairing for the first time, both search for the radio, it will show its availability on both devices. However, if one device links with this unit first, then the other Bluetooth device won't find it on the list.
2. If your Bluetooth device is temporarily disconnected to the radio, then you need to manually reconnect your device again to the radio.
3. If 'DMR112' shows in your Bluetooth device list but your device cannot connect with it, please delete the item from your list and pair the device with the radio again following the steps described previously.

- Optimum Bluetooth streaming range is roughly 10 meters (30 feet) (line of sight) to the radio but distance up to 30 meters (100 feet) are possible.
- If Bluetooth connection is lost due to exceeding time of separation, exceeding the optimum distance, obstacles or otherwise, reconnecting your device with the radio may be necessary.
- Physical obstacles, other wireless devices or electromagnetic devices may affect the connection quality.
- Bluetooth connectivity performance may vary depending on the connected Bluetooth devices. Please refer to the Bluetooth capabilities of your device before connecting to the radio. All features may not be supported on some paired Bluetooth devices.

Playing audio files in Bluetooth mode

When you have successfully connected the radio with the chosen Bluetooth device you can start to play your music using the controls on your connected Bluetooth device.

- Once playing has started adjust the volume to the required setting using the Volume knob on the radio or on your enabled Bluetooth device.
- Use the controls on your device to play/pause and navigate tracks.

NOTE:

- That not all player applications or devices may respond to all of these controls.
- Some mobile phones may temporarily disconnect from the radio when you make or receive calls. Some devices may temporarily mute their Bluetooth audio streaming when they receive text messages, emails or for other reasons unrelated to audio streaming. Such behaviour is a function of the connected device and does not indicate a fault with the radio.

Playing a previously-paired Bluetooth source device

The radio can memorize up to 8 sets of paired device, when the memory exceed this amount, the oldest pairing history will be over written. If your Bluetooth device already paired with the radio previously, the unit will memorize your Bluetooth device and it attempts to reconnect with a device in memory which is last connected. If the last connected device is not available, the radio will be discoverable.

Disconnecting your Bluetooth device

Press and hold the Bluetooth pairing button for 2-3 seconds to disconnect with your Bluetooth device. The Bluetooth indicator on the Preset buttons flashes in blue indicating the radio is discoverable again for pairing.

AUXILIARY INPUT SOCKET

Two 3.5 mm stereo Auxiliary Input sockets are provided. One is at the front of your radio (AUX IN 1); the other is located in the battery compartment (AUX IN 2).

- Connect an external audio source (for example, iPod, MP3 or CD player) to the Auxiliary Input socket by audio cord.
- Repeatedly press and release the Band button until "AUX IN 1" or "AUX IN 2" is displayed, then AUX function is activated.
- To have the better sound quality, we recommend setting the volume to more than two-thirds level on your audio device and then adjust the volume on the radio as required.

NOTE:

Audio cord is not included as standard accessories.

MISCELLANEOUS SETTINGS

Language options

There are eight language options available in the radio: English, German, Italian, French, Dutch, Danish, Norwegian and Spanish.

- Press Advanced setting button.
- Rotate the Volume/Tuning Control/Select knob until "Language" shown on the display. Press the Volume/Tuning Control/Select knob to enter the setting.
- Rotate the Volume/Tuning Control/Select knob to choose your desired language. Press the Volume/Tuning Control/Select knob to confirm your setting.

Brightness control

The button Light can be adjusted.

- Press the Advanced setting button.
- Rotate the Volume/Tuning Control/Select knob until "Button Light" is shown on the display. Press the Volume/Tuning Control/Select knob to enter the setting.
- Rotate the Volume/Tuning Control/Select knob to choose "On" or "Off" to enable or disable the button light function, then press the Volume/Tuning Control/Select knob to confirm the setting.

System reset

If your radio fails to work correctly, or some digits on the display are missing or incomplete, carry out the following procedure.

- Press the Advanced setting button.
- Rotate the Volume/Tuning Control/Select knob until "Factory Reset" shown on the display. Press the Volume/Tuning Control/Select knob to enter the setting.
- Rotate the Volume/Tuning Control/Select knob to choose "Yes". Press the Volume/Tuning Control/Select knob to confirm the setting and a full reset will be performed.

Software version

1. Press the Advanced setting button.
2. Rotate the Volume/Tuning Control/Select knob until "SW Version" shown on the display. Press the Volume/Tuning Control/Select knob to view the software version installed in the radio.

Micro USB port for software upgrade

Software updates for your radio may be available in the future.

As software updates become available software and information on how to update your radio can be found at

Makita website.

MAINTENANCE

CAUTION:

Never use gasoline, benzene, thinner, alcohol or the like. Discoloration, deformation or cracks may result.

SPECIFICATIONS

| Power requirements | |
|------------------------|--|
| AC power adaptor | DC 12 V 1.2A, center pin positive |
| Battery | Cluster battery: 7.2 V - 10.8 V Slide battery: 10.8 V - 18 V |
| Frequency coverage | FM 87.50 - 108 MHz DAB/DAB+ 174.928-239.200 MHz |
| DAB/DAB+ Channel block | DAB (Band III) 5A-13F |
| Compatible standard | DAB/DAB+ |

| Bluetooth® | |
|---|--|
| (The Bluetooth® word mark and logos are registered trademarks owned by Bluetooth SIG, Inc.) | |
| Bluetooth version | 4.0 |
| Bluetooth Profiles | A2DP/SCMS-T |
| Transmission Power | Power Class2 |
| Transmission Range | Optimum: Max. 10 meters (33 feet) Possible: Max. 30 meters (100 feet) (varies according to usage conditions) |
| Supported codec | SBC,AAC |
| Compatible Bluetooth profile | A2DP |
| Maximum radio-frequency power | BT EDR: 3.12dBm BT LE: 2.31dBm |
| Operating Frequency | 2402MHz~2480MHz |

| Circuit feature | |
|------------------------|---|
| Loudspeaker | 3.5 inches 32 ohm x 2 |
| Output power | 7.2 V: 0.6 W X 2 12Vmax: 1.7 W X 2 14.4 V: 3 W X 2 18 V: 4.9 W X 2 |
| Input terminal | 3.5 mm dia. (AUX IN1/AUX IN2) |
| Antenna system | DAB/FM: soft bended rod antenna |
| Dimensions (L x W x H) | 282 × 163 × 294 mm |
| Weight | 4.3KG (without battery) |

FRANÇAIS (Instructions d'origine)

INTERPRETATION DE LA VUE GENERALE (Fig. 1~5)

1. Antenne tige souple courbée
2. Loquet du compartiment de la batterie
3. Poignée
4. Clapet du compartiment de la batterie
(Recouvrant la cartouche de batterie)
5. Prise DC IN
6. Haut-parleur
7. Bouton d'alimentation Power
8. Bouton BAND
9. Bouton Paramètres avancés
10. Bouton Info
11. Présélection 2-5
12. Bouton Auto Tune
13. Bouton de sélection/commande de syntonisation/
volume
14. Port d'alimentation USB
15. Prise AUX IN 1
16. Bouton de présélection 1/couplage Bluetooth
17. Écran LCD
18. Borne d'entrée (AUX IN 2)
19. Compartiment de la batterie
20. Port micro-USB pour la mise à niveau du logiciel
21. Cartouche de batterie

SYMBOLES

Les symboles utilisés pour l'équipement sont affichés ci-dessous. Soyez sûr de tout comprendre avant toute utilisation.



Lisez le manuel d'utilisation.



Uniquement pour les pays de l'UE

Ne jetez pas le matériel électrique ou le regroupement de batteries d'accumulateurs avec les déchets ménagers !

Conformément aux directives européennes, sur les déchets d'équipements électriques et électroniques, des batteries et accumulateurs mais aussi des batteries et accumulateurs usagés, ainsi que leur mise en œuvre conformément aux lois nationales, aux équipements électriques et aux batteries et aux regroupements de batteries d'accumulateurs qui ont atteint leur fin de vie, doivent être collectés séparément et être renvoyés à une installation de recyclage suivant les directives pour l'environnement.

INSTRUCTIONS IMPORTANTES DE SECURITE

⚠ AVERTISSEMENT:

Lorsque vous utilisez des outils électriques, des précautions de base devraient toujours être suivies pour réduire le risque d'incendie, d'électrocution et de blessures, notamment les précautions suivantes:

1. Lisez ce manuel d'utilisation attentivement ainsi que le manuel d'utilisation du chargeur avant de l'utiliser.
2. Nettoyez avec un chiffon sec.
3. N'installez pas à proximité de sources de chaleur telles que radiateurs, registre de chaleur, poêle ou autres appareils (y compris les amplificateurs) qui produisent de la chaleur.
4. N'utilisez que les extensions/accessoires spécifiés par le fabricant.
5. Débranchez cet appareil lors des orages ou lorsqu'il est inutilisé pendant une longue période.
6. Les batteries utilisées pour les radios, qu'elles soient intégrées ou séparées, doivent être rechargées uniquement à l'aide du chargeur de batterie spécifié. Un chargeur qui convient à un type de batterie peut créer un risque d'incendie s'il est utilisé avec une autre batterie.
7. Les radios fonctionnant à l'aide de batteries doivent être utilisées uniquement avec les batteries désignées. L'utilisation d'autres batteries peut créer un risque d'incendie.
8. Lorsque la batterie externe n'est pas utilisée, veuillez le tenir éloigné des autres objets métalliques tels que: les trombones, les pièces de monnaie, les clés, les clous, les vis ou les autres petits objets métalliques qui peuvent établir une connexion d'une borne à un autre. Court-circuiter les bornes de la batterie peut provoquer des étincelles, des brûlures ou un incendie.
9. Évitez tout contact corporel avec des surfaces reliées à la terre telles que les tuyaux, les radiateurs, les cuisinières et les réfrigérateurs. Il y a un risque accru de choc électrique si votre corps est relié à la terre.
10. Dans des conditions extrêmes, du liquide peut être éjecté depuis la batterie; évitez tout contact avec le liquide. En cas de contact accidentel, rincez avec de l'eau. Si le liquide rentre en contact avec les yeux, consultez un médecin. Le liquide éjecté depuis la batterie peut causer des irritations ou des brûlures.
11. N'utilisez pas le regroupement de batteries d'accumulateurs ou un outil qui a été endommagé voire même modifié. Les batteries endommagées ou modifiées peuvent présenter un comportement imprévisible entraînant un incendie, une explosion ou un risque de blessure.
12. N'exposez pas une batterie ou un outil au feu ou à une température excessive. L'exposition au feu ou à une température supérieure à 130 °C peut provoquer une explosion.
13. Suivez toutes les instructions de charge et ne chargez pas la batterie ou l'outil en dehors de la plage de température spécifiée dans les instructions. La charge incorrecte ou à des températures en dehors

- de la plage spécifiée peut endommager la batterie et augmenter le risque d'incendie.
14. Les prises SECTEUR sont utilisées comme dispositif de déconnexion, et elles doivent rester facilement accessibles.
 15. N'utilisez pas le produit à un volume élevé durant une période prolongée. Pour éviter les dommages auditifs, utilisez-le produit à un niveau de volume modéré.
 16. (pour les produits avec affichage à cristaux liquides seulement) les affichages à cristaux liquides incluent le liquide qui peut causer de l'irritation et un empoisonnement. Si le liquide pénètre dans les yeux, la bouche ou la peau, rincez avec de l'eau et appelez un médecin.
 17. N'exposez pas le produit à la pluie ou à des environnements humides. L'eau pénétrant dans le produit augmente le risque de choc électrique.
 18. Ce produit n'est pas destiné à être utilisé par des personnes (y compris des enfants) ayant des capacités physiques, sensorielles ou mentales réduites, ou un manque d'expérience et de connaissances, à moins qu'elles aient reçu une supervision ou une formation concernant l'utilisation du produit par une personne responsable pour leur sécurité. Les enfants doivent être surveillés pour s'assurer qu'ils ne jouent pas avec le produit. Entrez le produit hors de la portée des enfants.

ENREGISTRER SES INSTRUCTIONS

REGLES SPECIFIQUES DE SECURITE

POUR LA CARTOUCHE DE BATTERIE

1. Avant d'utiliser la cartouche de batterie, lire toutes les instructions et les avertissements concernant (1) le chargeur de batterie, (2) la batterie, et (3) l'équipement utilisant la batterie.
2. Ne démontez pas la cartouche de batterie
3. Si le temps de fonctionnement devient excessivement court, cessez immédiatement l'utilisation. Il peut en résulter un risque de surchauffe, de brûlures et même d'explosion.
4. Si l'électrolyte pénètre dans vos yeux, rincez-les à l'eau claire et consultez un médecin immédiatement. Cela peut entraîner une perte de la vue.
5. Ne court-circuitez pas la cartouche de la batterie:
 - 1) Ne touchez pas les bornes avec un matériau conducteur.
 - 2) Évitez de ranger la cartouche de la batterie dans un conteneur avec d'autres objets métalliques tels que des clous, des pièces de monnaie, etc.
 - 3) N'exposez pas la cartouche de la batterie à l'eau ou à la pluie. Un court-circuit de la batterie peut provoquer un fort courant, une surchauffe, des brûlures et même une panne.
6. Ne rangez pas l'outil ou la cartouche de la batterie dans des endroits où la température peut atteindre ou dépasser 50 ° C (122 ° F)
7. N'incinerez pas la cartouche de la batterie même si elle est sérieusement endommagée ou complètement usée. La cartouche de la batterie peut exploser dans un feu.
8. Veuillez ne pas laisser tomber ou heurter la batterie.
9. N'utilisez pas de batterie endommagée.
10. Pour éviter tout risque, le manuel de la batterie de remplacement de la batterie doit être lu avant utilisation. Le courant de décharge maximal de la batterie doit être supérieur ou égal à 8A
11. Les batteries lithium-ion sont soumises aux exigences de la législation sur les marchandises dangereuses. Pour les transports commerciaux, par ex. par des tiers, des agents de livraison, des exigences particulières en matière de conditionnement et d'étiquetage doivent être respectées. Pour la préparation de l'article à expédier, il est nécessaire de consulter un expert pour les matières dangereuses. Veuillez également observer des réglementations nationales éventuellement plus détaillées. Recouvrez par du scotch ou masquez les contacts ouverts et emballez la batterie de telle manière qu'elle ne puisse pas bouger dans l'emballage.
12. Suivez les réglementations locales relatives à l'élimination des batteries.
13. Utilisez les batteries uniquement avec les produits spécifiés par Makita. L'installation des batteries dans des produits non conformes peut entraîner un incendie, une chaleur excessive, une explosion ou une fuite d'électrolyte.

⚠ MISE EN GARDE:

- **Risque d'explosion si la batterie est incorrectement remplacée.**
- **Remplacez uniquement avec le même type ou équivalent.**
- **n'utilisez que des batteries Makita authentiques. L'utilisation de batteries Makita non authentiques, ou des batteries qui ont été modifiées, peut provoquer une explosion de la batterie provoquant des incendies, des blessures et des dégâts. Cela annulera également la garantie Makita pour l'outil Makita et le chargeur.**

Conseils pour maintenir la durée de vie de la batterie au maximum

1. Chargez la cartouche de la batterie avant qu'elle ne soit complètement déchargée. Arrêtez toujours le fonctionnement de l'équipement et rechargez la cartouche de la batterie lorsque vous remarquez que la puissance de l'équipement est faible.
2. Rechargez jamais une cartouche de batterie qui est déjà complètement chargée. La surcharge réduit la durée de vie de la batterie.
3. Rechargez la cartouche de batterie à une température ambiante de 10°C à 40°C (50°F - 104°F). Laissez la cartouche de batterie chaude se refroidir avant de la charger.
4. Rechargez la cartouche de batterie si vous ne l'utilisez pas pendant une longue période (plus de six mois).

TEMPS DE FONCTIONNEMENT

* Le tableau suivant indique le temps de fonctionnement sur une seule charge.

| Capacité de la batterie | Tension de la batterie | | | | | SORTIE DU HAUT-PARLEUR = 100mW Unité: Heures (Approximative) | |
|-------------------------|------------------------|--------|--------------------|-------------------|-------------------|---|---|
| | 7,2 V | 10,8 V | 10,8 V – 12Vmax | 14,4 V | 18 V | En mode Radio ou AUX | En mode Radio avec chargement USB (1,0 A) |
| 1,0 Ah | BL7010 | | | | | 5,0 | 0,7 |
| 1,3 Ah | | BL1013 | | | | 7,0 | 0,9 |
| | | | | BL 1415 | | 5,5 | 1,7 |
| | | | | | BL1815 | 6,0 | 1,9 |
| 1,5 Ah | BL0715 | | | | | 7,5 | 1,0 |
| | | | BL1015 BL1016 | | | 8,5 | 1,7 |
| | | | | BL1415N | | 7,0 | 2,0 |
| | | | | | BL1815N | 7,5 | 2,0 |
| 2,0 Ah | | | BL1020B BL1021B | | | 11 | 2,0 |
| | | | | | BL1820 BL1820B | 10 | 3,0 |
| 3,0 Ah | | | | BL1430 BL1430B | | 12 | 3,5 |
| | | | | | BL1830 BL1830B | 14 | 4,0 |
| 4,0 Ah | | | BL1040B BL1041B | | | 21 | 4,0 |
| | | | | BL1440 | | 19 | 5,5 |
| | | | | | BL1840 BL1840B | 20 | 6,0 |
| 5,0 Ah | | | | BL1450 | | 23 | 6,5 |
| | | | | | BL1850 BL1850B | 26 | 8,0 |
| 6,0 Ah | | | | BL1460B | | 25 | 7,5 |
| | | | | | BL1860B | 31 | 9,5 |

□ : batterie de type « bloc » ▒ : batterie coulissante

⚠ AVERTISSEMENT:

n'utilisez que les cartouches de batterie énumérées ci-dessus. L'utilisation de toute autre cartouche de batterie peut causer des blessures et/ou des incendies.

Remarque:

le tableau concernant la durée de fonctionnement de la batterie ci-dessus est présenté comme référence. Le temps de fonctionnement réel peut différer du type de la batterie, de la condition de la charge ou de l'environnement d'utilisation.

INSTALLATION ET ALIMENTATION FOURNIE

⚠ ATTENTION:

- Veuillez faire attention à ne pas vous pincer les doigts en ouvrant ou fermant le clapet de la batterie.
- Remettez le loquet du compartiment de la batterie dans sa position initiale après l'ajout ou le retrait de la batterie. À défaut, elle risque de tomber accidentellement de la radio et de vous blesser ou de blesser une personne située près de vous.
- Fermez et verrouillez le compartiment de la batterie avant tout déplacement de la radio.
- Éteignez toujours la radio avant d'installer et de retirer la batterie.
- Prenez garde de ne pas laisser tomber ou cogner la radio. Le boîtier cassé pourrait vous entailler un doigt ou provoquer de plus graves blessures. La radio endommagée pourrait fonctionner de manière imprévisible, provoquant des risques de blessures, d'explosion ou d'incendie.

IMPORTANT:

- Une baisse de puissance, une distorsion sonore, un son saccadé ou l'affichage de « POWERFAIL » sur l'écran sont les signes que la batterie a besoin d'être remplacée.
- La batterie ne peut être chargée via l'adaptateur d'alimentation secteur fourni.
- La batterie n'est pas incluse dans les accessoires de base.

Installation et retrait d'une batterie coulissante (Fig. 2 et 3)

1. Pour installer la batterie, alignez sa languette sur la rainure qui se trouve à l'intérieur du logement, puis faites glisser la batterie pour la mettre en place. Insérez-la toujours bien à fond, jusqu'à ce qu'elle se verrouille en émettant un léger déclic.
2. Si vous voyez le voyant rouge sur la face supérieure du bouton, la batterie n'est pas parfaitement verrouillée. Installez-la à fond, jusqu'à ce que le voyant rouge ne soit plus visible. À défaut, elle risque de tomber accidentellement de la radio et de vous blesser ou de blesser une personne située près de vous.
3. N'appliquez pas une force excessive lors de l'insertion de la batterie. Si la batterie ne glisse pas aisément, elle n'est pas insérée correctement.
4. Pour retirer la batterie, faites-la glisser hors de la radio tout en faisant glisser le bouton à l'avant de la cartouche.

Installation et retrait d'une batterie de type « bloc » (Fig. 4 et 5)

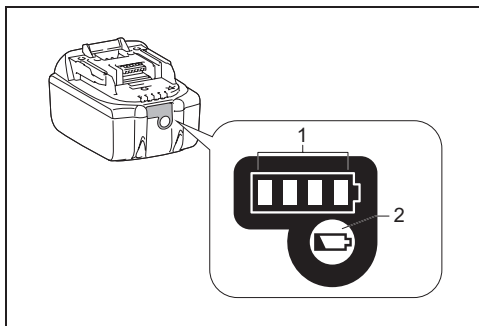
1. Pour insérer la batterie, alignez sa languette sur la rainure qui se trouve à l'intérieur du logement, puis

faites glisser la batterie pour la mettre en place.

2. Pour retirer la batterie, dégagez-la de la borne tout en appuyant sur les boutons situés de chaque côté de la batterie.

Indication de l'autonomie restante de la batterie

- * *Uniquement pour les batteries dont le numéro de modèle se termine par la lettre « B »*










➤ 1. Voyant des Lampes 2. Bouton de vérification

Appuyez sur le bouton de vérification pour indiquer l'autonomie restante de la batterie. Les voyants s'allument alors pendant quelques secondes.

• Batteries de 14,4 V/18 V

| Voyant des lampes | | | Capacité restante |
|-------------------|----------|------------|------------------------------------|
| Allumés | Eteintes | Clignotant | |
| ■ ■ ■ ■ | | | 75% ~ 100% |
| ■ ■ ■ □ | | | 50% ~ 75% |
| ■ ■ □ □ | | | 25% ~ 50% |
| ■ □ □ □ | | | 0% ~ 25% |
| ▣ □ □ □ | | | Rechargez la batterie |
| ■ ■ □ □ | □ □ | ■ ■ | La batterie semble mal fonctionnée |

● Batteries de 10,8 V-12 V max

| Voyant des lampes | | | Capacité restante |
|--|--|--|-------------------|
|  Allumés |  Eteintes |  Clignotant | |
|  | | | 75% ~ 100% |
|  | | | 50% ~ 75% |
|  | | | 25% ~ 50% |
|  | | | 0% ~ 25% |

REMARQUE:

Selon les conditions d'utilisation et la température ambiante, le voyant peut différer légèrement de la capacité réelle.

Utilisation de l'antenne tige souple courbée (Fig. 1)

Redressez l'antenne tige souple courbée comme illustré sur la figure.

Utilisation de l'adaptateur secteur fourni

Retirez la protection en caoutchouc et insérez la fiche de l'adaptateur dans la prise CC située sur le côté droit de la radio.

Branchez l'adaptateur dans une prise secteur standard. Chaque fois que l'adaptateur est utilisé, la batterie est automatiquement déconnectée.

⚠ ATTENTION:

- **Déconnectez toujours complètement l'adaptateur secteur avant de déplacer la radio. Si l'adaptateur secteur n'est pas retiré, cela peut provoquer un risque d'électrocution.**
- **Ne jamais tirer et trainer le cordon de l'adaptateur. Si vous le faites, la radio risque de tomber accidentellement, vous blessant ou blessant les gens situés autour de vous.**

IMPORTANT:

- L'adaptateur secteur est utilisé pour connecter la radio à l'alimentation secteur. La prise secteur utilisée pour la radio doit rester accessible pendant l'utilisation normale.
- Pour déconnecter la radio, débranchez complètement l'adaptateur secteur de la prise de courant.
- Utilisez l'adaptateur secteur fourni avec le produit ou uniquement celui spécifié par MAKITA.
- Ne tenez pas le câble d'alimentation et ne le mettez pas dans votre bouche. Cela peut provoquer un choc électrique.
- Ne touchez pas le câble d'alimentation avec les mains mouillées ou grasses.
- Les cordons endommagés ou emmêlés augmentent

le risque d'électrocution. Si le cordon est endommagé, faites-le remplacer par notre centre de service autorisé afin d'éviter tout risque de sécurité. Ne l'utilisez surtout pas avant la réparation.

- Après utilisation, rangez toujours l'adaptateur secteur hors de la portée des enfants. Si les enfants jouent avec le cordon d'alimentation, ils encourent des risques de blessures.

Rechargement à partir du port USB

Le port USB se trouve sur la façade de la radio. Vous pouvez charger l'appareil USB à partir du port USB.

1. Branchez l'appareil USB, par exemple un iPod, un lecteur MP3 ou un lecteur CD, à l'aide d'un câble USB vendu dans le commerce.
2. Appuyez sur le bouton d'alimentation pour allumer votre radio.
3. Peu importe que la radio soit branchée sur secteur ou alimentée par batterie, elle est en mesure de charger l'appareil USB lorsqu'elle est allumée et en mode radio FM/DAB, en mode BT ou en mode AUX, lesquels apparaissent lorsqu'une source audio externe est raccordée.

Remarque:

- Le volume maximum du haut-parleur émettant la puissance de sortie diminue lors du rechargement à partir du port USB.
- La prise USB peut fournir un courant électrique maximum de 1 A ou 5 V.

Important:

- Avant de brancher votre appareil USB au port USB, sauvegardez toujours vos données enregistrées sur l'appareil USB. Dans le cas contraire, vous risquez de les perdre par accident
- Il est possible que la radio ne puisse pas alimenter certains appareils USB.
- Retirez le câble USB et fermez le couvercle lorsque vous ne l'utilisez pas ou lorsque le chargement est terminé.
- Ne branchez pas une source d'alimentation dans le port USB. Il y a un risque d'incendie. Le port USB est destiné uniquement au rechargement d'appareils de faible tension. Placez toujours le couvercle sur le port USB lorsque vous ne rechargez pas d'appareils de faible tension.
- N'insérez pas de clou, fil, etc., dans le port USB. Vous pourriez provoquer un court-circuit et déclencher un incendie et la formation de fumée.
- Ne branchez pas cette prise USB dans le port USB de votre PC, au risque de provoquer une panne des appareils.

ÉCOUTER LA RADIO

Cette radio dispose de trois méthodes de syntonisation: la syntonisation par balayage, la syntonisation manuelle et le rappel des présélections en mémoire.

Sélection d'une station – DAB

1. Appuyez sur le bouton d'alimentation pour allumer votre radio.
2. Appuyez sur le bouton BAND pour sélectionner le mode DAB.
3. Appuyez sur le bouton Paramètres avancés et tournez le bouton de sélection/commande de syntonisation/volume jusqu'à ce que « Liste de stations » clignote sur l'écran. Appuyez sur le bouton de sélection/commande de syntonisation/volume pour afficher la liste des stations.
4. Tournez le bouton de sélection/commande de syntonisation/volume pour faire défiler la liste des stations disponibles. Appuyez sur ce bouton pour sélectionner la station.
5. Réglez le volume souhaité en tournant le bouton de sélection/commande de syntonisation/volume.

Modes d'affichages – DAB

Votre radio possède plusieurs options d'affichage pour le mode DAB:

Appuyez sur le bouton Info pour parcourir les différentes options indiquées aux points suivants (a. à g.).

- | | |
|-------------------------------|---|
| a. Nom de la station | Affiche le nom de la station écoutée. |
| b. Type de programme | Affiche le type de la station écoutée. Par ex., Pop, Classique, Informations, etc. |
| c. Nom du multiplex | Indique le nom du multiplex DAB auquel appartient la station actuelle. |
| d. Heure et date | Indique l'heure et la date actuelles. |
| e. Fréquence et canal | Indique la fréquence et le numéro de canal de la station DAB actuellement syntonisée. |
| f. Débit binaire/Format audio | Indique le débit binaire de l'audio numérique et le format audio de la station DAB actuellement syntonisée. |
| g. Force du signal | Indique la force du signal de la station DAB actuellement syntonisée. |

Trouver de nouvelles stations – DAB

Il arrive que de nouvelles stations radio DAB soient disponibles. Ou bien vous vous êtes peut-être déplacé dans une autre partie du pays. Dans ce cas, vous devez activer votre radio pour balayer et trouver de nouvelles stations.

Pour permettre à la radio de trouver les stations disponibles, il est recommandé d'effectuer un balayage complet de toutes les fréquences DAB Bande III.

1. Appuyez sur le bouton Auto Tune.
2. Votre radio effectuera un balayage complet des fréquences DAB. À mesure que de nouvelles stations

sont trouvées, le compteur de stations, situé à gauche de l'affichage, augmentera et des stations s'ajouteront à la liste.

Syntonisation manuelle – DAB

La syntonisation manuelle vous permet de syntoniser votre radio sur une fréquence DAB particulière en Bande III. Cette fonction peut également être utilisée pour faciliter le positionnement de l'antenne ou la radio afin d'optimiser la réception d'un canal ou d'une fréquence spécifique.

1. Appuyez sur le bouton Paramètres avancés et tournez le bouton de sélection/commande de syntonisation/volume jusqu'à ce que « Syntonisation manuelle » s'affiche sur l'écran. Appuyez sur le bouton de sélection/commande de syntonisation/volume pour sélectionner le mode de syntonisation manuelle.
2. Tournez le bouton de sélection/commande de syntonisation/volume pour sélectionner le canal DAB souhaité. Appuyez sur le bouton de sélection/commande de syntonisation/volume pour confirmer la fréquence choisie.

Création de l'ordre des stations – DAB

Votre radio dispose de 3 réglages d'ordre de stations que vous pouvez choisir. Les réglages d'ordre de stations sont le réglage alphanumérique, d'ensemble et de station valide.

1. Appuyez sur le bouton Paramètres avancés.
2. Tournez le bouton de sélection/commande de syntonisation/volume jusqu'à ce que « Ordre des stations » apparaisse sur l'affichage, puis appuyez sur ce bouton pour sélectionner le paramètre.
3. Tournez le bouton de sélection/commande de syntonisation/volume pour sélectionner les options suivantes, puis appuyez sur ce bouton pour confirmer le paramètre.

| | |
|----------------|---|
| Alphanumérique | trie la liste des stations dans l'ordre alphanumérique de 0 à 9 et de A à Z |
| D'ensemble | Organise la liste des stations par multiplex DAB |
| Station valide | Affiche uniquement les stations pour lesquelles un signal peut être trouvé |

Contrôle de la gamme dynamique (DRC) – DAB

La fonction DRC peut vous aider à mieux entendre les sons faibles lorsque vous utilisez la radio dans un environnement bruyant, en réduisant la gamme dynamique du signal audio. Il y a trois niveaux de compression:

| | |
|---------|---------------------------------|
| DRC 0 | Aucune compression appliquée. |
| DRC 1/2 | Compression moyenne appliquée. |
| DRC 1 | Compression maximale appliquée. |

1. Appuyez sur le bouton d'alimentation pour allumer votre radio.
2. Appuyez sur le bouton BAND pour sélectionner la bande DAB.
3. Appuyez sur le bouton Paramètres avancés et tournez le bouton de sélection/commande de syntonisation/volume jusqu'à ce que « Valeur DRC » s'affiche sur l'écran. Puis, appuyez sur le bouton de sélection/commande de syntonisation/volume pour sélectionner le paramètre. L'écran affichera la valeur DRC actuelle.
4. Tournez le bouton de sélection/commande de syntonisation/volume pour sélectionner le paramètre DRC souhaité.
5. Appuyez sur le bouton de sélection/commande de syntonisation/volume pour confirmer le paramètre.

Syntonisation par balayage – FM

1. Appuyez sur le bouton d'alimentation pour allumer la radio.
2. Appuyez sur le bouton BAND pour sélectionner la gamme d'ondes souhaitée. Assurez-vous que l'antenne tige souple courbée est correctement placée pour optimiser la réception FM. Évitez de faire fonctionner la radio près de l'écran d'un ordinateur ou d'un autre appareil susceptible de provoquer des interférences avec la radio.
3. Appuyez sur le bouton Auto Tune pour que la radio cherche une station radio et s'arrête automatiquement lorsqu'elle en trouve une. La radio continue de chercher la station suivante disponible, sauf si l'opérateur appuie sur le bouton Auto Tune pour arrêter le balayage.
4. Tournez le bouton de sélection/commande de syntonisation/volume pour obtenir le niveau audio souhaité. Sur l'écran LCD sont affichés les changements de niveau audio.
5. Pour éteindre la radio, appuyez sur le bouton d'alimentation.

Zone de balayage FM

Lorsque vous utilisez le mode FM, vous pouvez régler votre radio pour qu'elle balaie les stations locales ou pour qu'elle balaie toutes les stations, y compris les stations radio éloignées.

1. Appuyez sur le bouton d'alimentation pour allumer la radio.
2. Appuyez sur le bouton BAND pour sélectionner la bande FM.
3. Appuyez sur le bouton de Paramètres avancés, puis tournez la molette de volume/réglage/sélection jusqu'à ce que « Zone de scan FM » apparaisse sur l'écran. Appuyez sur le bouton de sélection/commande de syntonisation/volume pour entrer le paramètre.
4. Tournez le bouton de sélection/commande de syntonisation/volume pour basculer entre les options

« Locale » (stations puissantes uniquement) et « Distante » (toutes les stations) sur la ligne inférieure de l'écran. L'option Distante permet à la radio de trouver des signaux plus faibles lors du scan.

5. Appuyez sur le bouton de sélection/commande de syntonisation/volume pour confirmer votre sélection. L'option Locale ou Distante est mémorisée dans la radio et restera par défaut jusqu'à ce qu'elle soit modifiée ou jusqu'à une réinitialisation du système.

Syntonisation manuelle – FM

1. Appuyez sur le bouton d'alimentation pour allumer la radio.
2. Appuyez sur le bouton BAND pour sélectionner la gamme d'ondes souhaitée. Réglez l'antenne comme décrit ci-dessus.
3. Tournez le bouton de sélection/commande de syntonisation/volume pour modifier la fréquence selon les incréments suivants: FM: 50 kHz

Remarque:

Afin d'utiliser le bouton de sélection/commande de syntonisation/volume pour trouver votre station souhaitée, appuyez sur ce bouton pour passer en mode de commande de syntonisation.

4. Continuez de tourner le bouton de sélection/commande de syntonisation/volume jusqu'à ce que vous obteniez la fréquence souhaitée à l'écran.
5. Tournez le bouton de sélection/commande de syntonisation/volume pour obtenir le niveau audio souhaité.
6. Pour éteindre la radio, appuyez sur le bouton d'alimentation.

Modes d'affichage – FM (RDS)

Votre radio possède plusieurs options d'affichage pour le mode radio FM.

Appuyez à plusieurs reprises sur le bouton Info pour afficher les informations RDS (Système radioélectrique de diffusion de données) de la station que vous écoutez.

- | | |
|-------------------------|--|
| a. Station de programme | Indique le nom de la station écoutée. |
| b. Fréquence | Indique la fréquence du signal FM. |
| c. Texte radio | Indique le message textuel, tel que de nouveaux éléments, etc. |
| d. Type de programme | Indique le type de station écoutée, par exemple Pop, Classique, Informations, etc. |
| e. Heure et date | Indique l'heure et la date actuelles. |

Enregistrement des stations dans des mémoires présélectionnées (DAB et FM)

Il existe 5 présélections mémorisées pour chaque gamme d'ondes.

1. Appuyez sur le bouton d'alimentation pour allumer la

- radio.
2. Synonisez la radio jusqu'à la station souhaitée selon l'une des méthodes décrites précédemment.
 3. Maintenez enfoncé le bouton de Présélection souhaité jusqu'à ce que le numéro présélectionné s'affiche sur l'écran, par exemple, « P2 sauvegardé ». La station est alors enregistrée dans le bouton de Présélection sélectionné.
 4. Répétez cette procédure pour les présélections restantes.
 5. Pour remplacer les stations enregistrées dans les mémoires présélectionnées, procédez comme indiqué précédemment.

Rappel des stations des mémoires présélectionnées (DAB et FM)

1. Appuyez sur le bouton d'alimentation pour allumer la radio.
2. Appuyez sur le bouton BAND pour sélectionner votre gamme d'ondes souhaitée.
3. Appuyez brièvement sur le bouton de Présélection souhaité. Le numéro et la fréquence de la station présélectionnée apparaissent sur l'écran.

Écouter de la musique via le streaming Bluetooth

Vous devez coupler votre appareil Bluetooth avec la radio avant que vous puissiez le relier automatiquement pour lire/diffuser de la musique Bluetooth via la radio. Le couplage crée un « lien » afin que deux appareils puissent se reconnaître mutuellement.

Remarque:

Pour avoir une meilleure qualité sonore, nous vous conseillons de régler le volume à plus des deux tiers sur votre appareil Bluetooth, puis ajustez le volume sur la radio au besoin.

Coupler votre appareil Bluetooth pour la première fois

1. Appuyez sur le bouton d'alimentation pour allumer la radio. Appuyez sur le bouton BAND pour sélectionner le mode Bluetooth. L'indicateur Bluetooth sur les boutons de présélection clignote en bleu pour indiquer que la radio est détectable.
2. Activez le Bluetooth sur votre appareil conformément au manuel d'instruction pour le relier à votre radio. Situez la liste des appareils Bluetooth et choisissez l'appareil nommé « DMR112. ». Avec certains portables (équipés de versions antérieures aux appareils Bluetooth BT2.1), vous devrez saisir un mot de passe « 0000 ».
3. Une fois connecté, il y aura une tonalité de confirmation et l'indicateur Bluetooth sur les boutons de présélection

- restera allumés en bleu. Vous pouvez maintenant simplement sélectionner et lire n'importe quelle musique de votre périphérique source. Le volume peut être réglé à partir de votre appareil source, ou directement à partir de la radio.
4. Utilisez les commandes de l'appareil avec la fonction Bluetooth ou de votre radio pour lire/mettre en pause et naviguer entre les pistes.

Remarque:

1. Si 2 appareils Bluetooth, effectuent le couplage pour la première fois, les deux à la fois recherchent la radio, il sera affiché la disponibilité sur les deux appareils. Toutefois, si l'un des d'appareils se lie avec cet appareil d'abord, l'autre appareil Bluetooth ne la trouvera pas sur la liste.
2. Si votre périphérique Bluetooth est temporairement déconnecté de votre radio, alors vous devez reconnecter manuellement votre appareil à nouveau avec la radio.
3. Si « DMR112 » est affiché dans votre liste d'appareils Bluetooth, mais que votre appareil ne peut pas se connecter avec elle, veuillez supprimer l'élément de votre liste et coupez de nouveau l'appareil avec la radio en suivant les étapes décrites précédemment.
4. La portée de fonctionnement optimale du Bluetooth est d'environ 10 mètres (30 pieds) (ligne de visée) vers la radio, mais une distance de jusqu'à 30 mètres (100 pieds) est possible.
5. Si la connexion Bluetooth est perdue en raison d'une durée de séparation trop longue, d'un dépassement de la portée, de présence d'obstacles ou autres il peut être nécessaire de reconnecter votre appareil à la radio.
6. Les obstacles physiques, les autres appareils sans fil ou les appareils électromagnétiques peuvent affecter la qualité de la connexion.
7. La performance de connectivité Bluetooth peut varier en fonction des appareils Bluetooth connectés. Référez-vous aux fonctionnalités Bluetooth de votre appareil avant de connecter votre radio. Toutes les fonctions ne seront peut-être pas compatibles sur certains appareils Bluetooth.

Lire des fichiers audio en mode Bluetooth

Lorsque vous avez correctement connecté votre radio avec l'appareil Bluetooth de votre choix, vous pouvez commencer à lire votre musique en utilisant les contrôles sur votre appareil Bluetooth connecté.

1. Une fois que la lecture a commencé, réglez le volume sur la valeur souhaitée en utilisant les boutons de volume de votre radio ou sur votre appareil avec Bluetooth activé.
2. Utilisez les commandes de votre appareil pour la lecture/pause et naviguez parmi les pistes.

Remarque:

1. Toutes les applications de lecture ou périphériques peuvent répondre à l'ensemble de ces contrôles.
2. Certains téléphones mobiles peuvent se déconnecter temporairement de votre radio lorsque vous donnez ou recevez des appels. Certains appareils peuvent couper temporairement leur streaming audio Bluetooth quand ils reçoivent des messages texte, e-mails ou pour d'autres raisons non liées au comportement du streaming audio. Ce comportement est une fonction de l'appareil connecté et ne constitue pas un défaut de votre radio.

Lecture d'un périphérique source Bluetooth précédemment couplé

Votre radio peut mémoriser jusqu'à 8 appareils couplés, lorsque la mémoire dépasse ce nombre, le premier appareil couplé sera remplacé. Si votre appareil Bluetooth a déjà été couplé avec la radio précédemment, l'unité mémorisera votre appareil Bluetooth et essaiera de se reconnecter avec l'appareil qui a été le dernier connecté enregistré en mémoire. Si le dernier appareil connecté n'est pas disponible, la radio ne sera pas détectable.

Déconnecter votre appareil Bluetooth

Appuyez sur le bouton de couplage Bluetooth et maintenez-le enfoncé pendant 2-3 secondes pour vous déconnecter de votre périphérique Bluetooth. L'indicateur Bluetooth sur les boutons de présélection clignote en bleu pour indiquer que la radio est à nouveau détectable pour le couplage.

PRISE D'ENTRÉE AUXILIAIRE

Deux prises d'entrée auxiliaire stéréo de 3,5 mm sont fournies. L'un est à l'avant de votre radio (AUX IN 1); l'autre est situé dans le compartiment de la batterie (AUX IN 2).

1. Connectez une source audio externe (par exemple, un iPod, un lecteur MP3 ou CD) à la prise d'entrée auxiliaire à l'aide d'un cordon audio.
2. Appuyez à plusieurs reprises sur le bouton BAND et relâchez-le jusqu'à ce que « AUX IN 1 » ou « AUX IN 2 » s'affiche. La fonction AUX est alors activée.
3. Pour avoir une meilleure qualité sonore, nous vous conseillons de régler le volume à plus des deux tiers sur votre appareil Bluetooth, puis ajustez le volume sur la radio au besoin.

REMARQUE:

le cordon audio n'est pas inclus en tant qu'accessoires standard.

PARAMÈTRES DIVERS

Langues

Huit langues sont disponibles dans la radio:

l'anglais, l'allemand, l'italien, le français, le néerlandais, le danois, le norvégien et l'espagnol.

1. Appuyez sur le bouton Paramètres avancés.
2. Tournez le bouton de sélection/commande de syntonisation/volume jusqu'à ce que « Langue » apparaisse sur l'écran. Appuyez sur le bouton de sélection/commande de syntonisation/volume pour sélectionner le paramètre.
3. Tournez le bouton de sélection/commande de syntonisation/volume pour sélectionner votre langue. Appuyez sur le bouton de sélection/commande de syntonisation/volume pour confirmer votre paramètre.

Réglage de la luminosité

L'éclairage des touches peut être réglé.

1. Appuyez sur le bouton Paramètres avancés.
2. Tournez le bouton de sélection/commande de syntonisation/volume jusqu'à ce que « Eclairage des touches » apparaisse sur l'écran. Appuyez sur le bouton de sélection/commande de syntonisation/volume pour entrer le paramètre.
3. Tournez le bouton de sélection/commande de syntonisation/volume pour choisir entre « Oui » ou « Non » pour activer ou désactiver la fonction d'éclairage des touches, puis appuyez le bouton de sélection/commande de syntonisation/volume pour confirmer le réglage.

Réinitialisation du système

Si votre radio ne fonctionne pas correctement ou si certains chiffres affichés sont manquants ou incomplets, procédez comme suit.

1. Appuyez sur le bouton Paramètres avancés.
2. Tournez le bouton de sélection/commande de syntonisation/volume jusqu'à ce que « Réinitialisation » apparaisse sur l'écran. Appuyez sur le bouton de sélection/commande de syntonisation/volume pour sélectionner le paramètre.
3. Tournez le bouton de sélection/commande de syntonisation/volume pour sélectionner « Oui ». Appuyez sur le bouton de sélection/commande de syntonisation/volume pour confirmer le paramètre. Une réinitialisation complète sera effectuée.

Version du logiciel

1. Appuyez sur le bouton Paramètres avancés.
2. Tournez le bouton de sélection/commande de syntonisation/volume jusqu'à ce que « Version logiciel » apparaisse sur l'écran. Appuyez sur le bouton de sélection/commande de syntonisation/volume pour afficher la version du logiciel installé sur la radio.

Port micro-USB pour mise à jour de logiciel

Les mises à jour de logiciel pour votre radio peuvent être disponibles à l'avenir.

Puisque des mises à jour de logiciel sont disponibles, vous pouvez trouver le logiciel et des informations sur la manière de mettre à jour votre radio sur le **site internet de Makita**.

ENTRETIEN

⚠ **ATTENTION:**

N'utilisez jamais d'essence, de benzine, de diluant, d'alcool ou de produit similaire. Ces produits risquent de provoquer des décolorations, des déformations ou des fissures.

SPÉCIFICATIONS

| Puissance consommée | |
|-----------------------------|---|
| Adaptateur secteur | 12 V C.C. 1,2A, broche centrale positive |
| Batteries | Batterie de type « bloc » : 7,2 V à 10,8 V Batterie coulissante: 10,8 V à 18 V |
| Gamme de fréquences | FM 87,50 - 108 MHz DAB/DAB+ 174,928-239,200 MHz |
| Blocage des canaux DAB/DAB+ | DAB (Band III) 5A-13F |
| Norme compatible | DAB/DAB+ |

| Bluetooth® | |
|--|---|
| (La marque verbale et les logos Bluetooth® sont des marques déposées de Bluetooth SIG, Inc.) | |
| Version Bluetooth | 4,0 |
| Profils Bluetooth | A2DP/SCMS-T |
| Puissance d'émission | Classe 2 de puissance |
| Portée d'émission | Optimale: 10 mètres max. (33 pieds) Possible: 30 mètres max. (100 pieds) (varie en fonction des conditions d'utilisation) |
| Codec pris en charge | SBC,AAC |
| Profil Bluetooth compatible | A2DP |
| Puissance maximale de la radiofréquence: | BT EDR: 3,12dBm BT LE: 2,31dBm |
| Plage de fréquences de fonctionnement | 2402MHz~2480MHz |

| Fonction du circuit | |
|------------------------|---|
| Haut-parleur | 3,5 pouces 32 ohms x 2 |
| Puissance de sortie | 7,2 V: 0,6 W X 2 12Vmax: 1,7 W X 2 14,4 V: 3 W X 2 18 V: 4,9 W X 2 |
| Borne d'entrée | Diamètre 3,5 mm (AUX IN 1/AUX IN 2) |
| Système d'antenne | DAB/FM: antenne tige souple courbée |
| Dimensions (L x P x H) | 282 x 163 x 294 mm |
| Poids | 4,3KG (sans la batterie) |

DEUTSCH (Originalanweisungen)

Erläuterung der Gesamtdarstellung (Abb. 1~5)

1. Flexible Antenne
2. Verriegelung Batteriefach
3. Griff
4. Batteriefachabdeckung
(Schutz der Batteriehalterung)
5. DC-Eingang
6. Lautsprecher
7. Betriebstaste
8. Frequenzbandtaste
9. Einstellungstaste
10. Info-Taste
11. Speicherplätze 2-5
12. Automatische Sendersuche
13. Lautstärke/Tuning/Auswahl-Regler
14. USB-Ladeanschluss
15. AUX-Eingang 1
16. Speicherplatz 1/Bluetooth-Kopplung
17. LCD-Anzeige
18. Eingang (AUX 2)
19. Batteriefach
20. Micro-USB-Port für Softwareaktualisierung
21. Batteriehalterung

SYMBOLE

Im Folgenden sind die im Zusammenhang mit diesem Gerät verwendeten Symbole dargestellt. Machen Sie sich vor der Benutzung des Geräts unbedingt mit diesen Symbolen vertraut!



Lesen Sie die Betriebsanleitung.



Nur für EU-Länder.

Entsorgen Sie Elektrowerkzeuge, Batterien und Akkus nicht über den Hausmüll!

Gemäß der Europäischen Richtlinie über Elektro- und Elektronik- Altgeräte und über Batterien und Akkumulatoren sowie Altbatterien und Altakkumulatoren und ihrer Umsetzung in nationales Recht müssen verbrauchte Elektrowerkzeuge sowie Altbatterien und Altakkumulatoren getrennt gesammelt und einer umweltgerechten Wiederverwertung zugeführt werden.

WICHTIGE SICHERHEITSHINWEISE

⚠ **WARNUNG:**

Bei der Verwendung von Elektrogeräten müssen stets grundlegende Sicherheitsmaßnahmen befolgt werden, zu denen auch die im Folgenden genannten gehören, um die Gefahr von Verletzungen, Stromschlägen und Bränden zu verringern.

1. Lesen Sie vor der Verwendung des Geräts die vorliegende Betriebsanleitung sowie die Betriebsanleitung zum Ladegerät aufmerksam durch.
2. Reinigen Sie dieses Gerät lediglich mit einem trockenen Tuch.
3. Stellen Sie dieses Gerät nicht in der Nähe von Wärmequellen wie etwa Radiatoren, Heizregistern, Öfen oder anderen wärmeerzeugenden Apparaturen (einschließlich Verstärker) auf.
4. Verwenden Sie ausschließlich vom Hersteller vorgegebene Anbaugeräte bzw. Zubehörteile.
5. Ziehen Sie bei einem Gewitter, oder wenn Sie das Gerät für längere Zeit nicht verwenden, den Netzstecker dieses Geräts.
6. Ein akkubetriebenes Radio mit eingebauten Akkus oder einem herausnehmbaren Akkupack darf nur mit dem angegebenen Ladegerät geladen werden. Ein für einen bestimmten Akkutyp vorgesehenes Ladegerät kann Feuer verursachen, wenn es für andere Akkus verwendet wird.
7. Ein akkubetriebenes Radio darf nur mit den dafür speziell vorgesehenen Akkupacks verwendet werden. Bei Verwendung anderer Akku besteht Brandgefahr.
8. Wenn sich der Akkupack nicht im Werkzeug befindet, dann halten Sie ihn fern von metallenen Objekten, wie etwa: Büroklammern, Münzen, Schlüssel, Nägel, Schrauben oder anderen kleinen Metallgegenständen, die eine Verbindung zwischen den Akkuanschlüssen herstellen können. Ein Kurzschluss der Akkukontakte kann Funken oder Verbrennungen verursachen und stellt eine Brandgefahr dar.
9. Vermeiden Sie Körperkontakt mit geerdeten Flächen wie Rohren, Radiatoren, Herdplatten und Heiz- und Kühlelementen. Wenn Ihr Körper geerdet ist, besteht bei einem elektrischen Schlag eine erhöhte Gefahr.
10. Bei unsachgemäßem Gebrauch kann Flüssigkeit aus dem Akku austreten; vermeiden Sie in diesem Fall jeglichen Kontakt mit der Flüssigkeit. Wenn Sie versehentlich mit Flüssigkeit aus dem Akku in Berührung geraten, waschen Sie die betroffene Stelle gründlich mit Wasser ab. Wenn die Flüssigkeit in die Augen geraten ist, suchen Sie anschließen umgehend einen Arzt auf. Die aus dem Akku austretende Flüssigkeit kann Hautreizungen und Verbrennungen verursachen.
11. Enden Sie Akkus oder Werkzeuge nicht, falls diese beschädigt sind. Mit beschädigten oder modifizierten Batterien können unvorhergesehene Situationen auftreten, die wiederum Explosionen oder Verletzungen verursachen könnten.
12. Schützen Sie Akkus und Instrumente vor Feuer bzw.

übermäßigen Temperaturen. Temperaturen über 130 °C können Explosionen verursachen.

13. Befolgen Sie alle Anleitungen zum Aufladen; laden Sie den Akku oder das Instrument nicht außerhalb des vorgegebenen Temperaturbereichs auf. Falls Sie den Akku unsachgemäß oder außerhalb der richtigen Temperatur aufladen, besteht erhöhte Brandgefahr.
14. Der NETZSTECKER ist die Trennvorrichtung und muss immer zugänglich sein.
15. Verwenden Sie das Produkt nicht über längere Zeiträume mit hoher Lautstärke. Wählen Sie eine moderate Lautstärkeeinstellung, um Gehörschäden zu vermeiden.
16. (Nur für Produkte mit LCD) LCD-Bildschirme enthalten Flüssigkeit, die Hautreizungen und Vergiftung verursachen kann. Falls die Flüssigkeit in Augen, Mund oder auf die Haut gelangt, spülen Sie die betroffenen Stellen mit Wasser ab und wenden Sie sich an einen Arzt.
17. Schützen Sie das Produkt vor Regen oder Feuchtigkeit. Eindringendes Wasser kann die Gefahr von Stromschlägen erhöhen.
18. Dieses Produkt ist nicht geeignet für Personen (einschließlich Kinder) mit eingeschränkten körperlichen, sensorischen oder geistigen Fähigkeiten, oder ohne Erfahrung und Wissen, es sei denn sie werden von einer für ihre Sicherheit zuständigen Person beaufsichtigt oder angeleitet. Kinder müssen beaufsichtigt werden, damit sie nicht mit dem Produkt spielen. Bewahren Sie das Produkt außer Reichweite von Kindern auf.

BEWAHREN SIE DIESE ANLEITUNG SORGFÄLTIG AUF.

SPEZIELLE

SICHERHEITSGESETZE FÜR AKKUBLOCK

1. Lesen Sie vor der Verwendung des Akkublocks alle Anweisungen und Sicherheitshinweise für das Akkuladegerät (1), den Akku (2) und das Produkt (3), für das der Akku verwendet wird, sorgfältig durch.
2. Der Akkublock darf nicht zerlegt werden.
3. Falls die Betriebsdauer erheblich kürzer wird, beenden Sie den Betrieb umgehend. Andernfalls besteht die Gefahr einer Überhitzung sowie das Risiko möglicher Verbrennungen und sogar einer Explosion.
4. Wenn Elektrolyt in Ihre Augen gerät, waschen Sie diese mit klarem Wasser aus und suchen Sie sofort einen Arzt auf. Andernfalls können Sie Ihre Sehfähigkeit verlieren.
5. Vermeiden Sie einen Kurzschluss des Akkublocks:
 - (1) Die Kontakte dürfen nicht mit leitendem Material in Berührung kommen.
 - (2) Der Akkublock darf nicht in einem Behälter aufbewahrt werden, in dem sich andere metallische Gegenstände wie beispielsweise Nägel, Münzen usw. befinden.
 - (3) Der Akkublock darf weder Feuchtigkeit noch Regen ausgesetzt werden. Ein Kurzschluss des Akkus kann zu hohem Kriechstrom, Überhitzung,

möglichen Verbrennungen und sogar zu einer Zerstörung des Werkzeugs führen.

6. Werkzeug und Akkublock dürfen nicht an Orten aufbewahrt werden, an denen Temperaturen von 50°C oder darüber erreicht werden können.
7. Beschädigte oder verbrauchte Akkus dürfen nicht verbrannt werden. Der Akkublock kann in den Flammen explodieren.
8. Lassen Sie den Akku nicht fallen und vermeiden Sie Schläge gegen den Akku.
9. Verwenden Sie niemals einen beschädigten Akku.
10. Lesen Sie die Anleitung zum Austauschen des Akkus sorgfältig durch, um Gefahren zu vermeiden. Und der max. Entladestrom des Akkus muss größer oder gleich 8 A sein.
11. Enthaltene Lithium-Ion-Batterien unterliegen den Vorschriften des Gefahrgutrechts. Während des Transports, z.B. durch Dritte oder Spediteure, sind spezielle Anforderungen auf der Verpackung und den Etiketten zu beachten. Vor dem Versand des Produkts muss ein Experte für Gefahrstoffe konsultiert werden. Beachten Sie außerdem national geltende Vorschriften. Kleben Sie freiliegende Kontakte ab und verpacken Sie die Batterie so, dass sie nicht in der Verpackung herumschüttelt.
12. Hten Sie alle örtlich geltenden Vorschriften bzgl. der Entsorgung von Batterien.
13. Verwenden Sie die Batterien nur mit den von Makita vorgegebenen Produkten. Falls Sie die Batterien in nicht kompatiblen Produkten installieren, können Feuer, Überhitzung und Explosion verursacht werden oder Batterieflüssigkeit austreten.

⚠ **ACHTUNG:**

- Bei unsachgemäßer Verwendung von Ersatzakkus besteht Explosionsgefahr.
- Als Ersatzteile dürfen nur Akkus des gleichen Typs verwendet werden.
- Verwenden Sie nur echte Makita Batterien. Unechte Makita Batterien oder modifizierte Batterien können zum Zerplatzen der Batterie führen und dadurch Feuer, Verletzungen und Schäden verursachen. In solch einem Fall wird außerdem die Makita Garantie für Makita Instrumente und Ladegeräte nichtig.

Tipps für eine maximale Nutzungsdauer der Batterie

1. Laden Sie die Batterie auf, bevor diese vollständig entladen ist. Beenden Sie den Betrieb und laden Sie die Batterie auf, wenn die Leistung des Geräts nachlässt.
2. Laden Sie eine vollständig geladene Batterie nicht weiter auf. Überladung verkürzt die Lebensdauer.
3. Laden Sie die Batterie bei einer Umgebungstemperatur von 10 °C - 40 °C (50 °F - 104 °F) auf. Lassen Sie ein heißes Batteriegehäuse vor dem Aufladen abkühlen.
4. Laden Sie die Batterie, falls Sie das Gerät längere Zeit (länger als 6 Monate) nicht verwenden werden.

BETRIEBSDAUER

* Die nachfolgende Tabelle ist eine Übersicht mit der jeweiligen Betriebsdauer pro Batterieladung.

| Akkuladung | Nennspannung des Akkublocks | | | | | BEI LAUTSPRECHERAUSGABE = 100mW Einheit: Stunden (Ca.) | |
|------------|-----------------------------|--------|--------------------|-------------------|-------------------|---|--|
| | 7,2 V | 10,8 V | 10,8 V – 12Vmax | 14,4 V | 18 V | Im Radiobetrieb oder über AUX- Buchse | Im Radiobetrieb mit USB-Aufladung (1,0A) |
| 1,0 Ah | BL7010 | | | | | 5,0 | 0,7 |
| 1,3 Ah | | BL1013 | | | | 7,0 | 0,9 |
| | | | | BL1415 | | 5,5 | 1,7 |
| | | | | | BL1815 | 6,0 | 1,9 |
| 1,5 Ah | BL0715 | | | | | 7,5 | 1,0 |
| | | | BL1015 BL1016 | | | 8,5 | 1,7 |
| | | | | BL1415N | | 7,0 | 2,0 |
| | | | | | BL1815N | 7,5 | 2,0 |
| 2,0 Ah | | | BL1020B BL1021B | | | 11 | 2,0 |
| | | | | | BL1820 BL1820B | 10 | 3,0 |
| 3,0 Ah | | | | BL1430 BL1430B | | 12 | 3,5 |
| | | | | | BL1830 BL1830B | 14 | 4,0 |
| 4,0 Ah | | | BL1040B BL1041B | | | 21 | 4,0 |
| | | | | BL1440 | | 19 | 5,5 |
| | | | | | BL1840 BL1840B | 20 | 6,0 |
| 5,0 Ah | | | | BL1450 | | 23 | 6,5 |
| | | | | | BL1850 BL1850B | 26 | 8,0 |
| 6,0 Ah | | | | BL1460B | | 25 | 7,5 |
| | | | | | BL1860B | 31 | 9,5 |

□ : Aufsteckakku ▒ : Einschubakku

⚠ **WARNUNG:**

Verwenden Sie nur die oben aufgeführten Batteriekarten. Die Verwendung anderer Batteriekarten kann Verletzungen und/oder Feuer verursachen.

Hinweis:

Die Nutzungsdauern in der obigen Tabelle sind nur Richtwerte. Die tatsächliche Nutzungsdauer kann je nach Batterie-Typ, Ladebedingungen bzw. Gebrauchsumgebung variieren.

INSTALLATION UND STROMVERSORGUNG

⚠ VORSICHT:

- Achten Sie beim Öffnen und Schließen der Batteriefachabdeckung darauf, Ihre Finger nicht einzuklemmen.
- Bringen Sie die Verriegelung des Batteriefachs nach der Installation oder Entnahme der Batteriehalterung wieder zur Ausgangsposition zurück. Anderenfalls könnte die Batteriehalterung versehentlich aus dem Radio herausfallen und dadurch Verletzungen verursachen.
- Schließen und sichern Sie die Verriegelung des Batteriefachs, bevor Sie das Radio umstellen.
- Schalten Sie das Radio immer aus, bevor Sie die Batteriehalterung installieren oder entfernen.
- Lassen Sie das Radio nicht herunterfallen und schützen Sie es vor Aufprällen. Ein kaputtes Gehäuse könnte Verletzungen an Fingern und Körper verursachen. Ein beschädigtes Radio kann unvorhersehbar reagieren und als Folge Feuer, Explosionen oder Verletzungen verursachen.

WICHTIG:

- Eine verminderte Leistung, Verzerrungen, „stotternde“ Geräusche oder die Anzeige „POWERFAIL“ sind alle Anzeichen dafür, dass die Batterie ersetzt werden muss.
- Die Batteriehalterung kann nicht über den mitgelieferten AC-Netzadapter aufgeladen werden.
- Die Batteriehalterung ist kein Standardzubehör des Produkts.

Einschubakku einsetzen bzw. entfernen (Abb. 2 & 3)

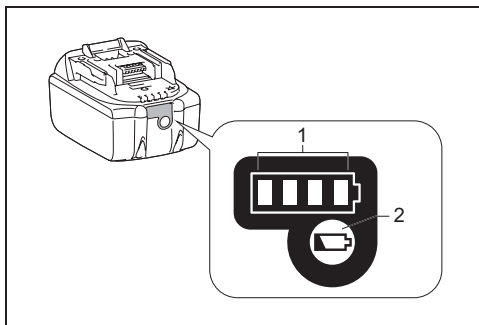
1. Zum Einsetzen des Akkublocks müssen Sie die Akkublockzunge zur inneren Gehäusenut ausrichten und den Akkublock in Position schieben. Setzen Sie den Akkublock unbedingt vollständig ein, bis er mit einem Klick einrastet.
2. Ist weiterhin der oben auf der Taste befindliche rote Bereich sichtbar, dann ist der Akkublock nicht ganz eingerastet. Setzen Sie den Akkublock vollständig ein, bis der rote Bereich nicht mehr sichtbar ist. Andernfalls kann der Block versehentlich aus dem Gerät fallen und Sie oder Personen in Ihrem Umfeld verletzen.
3. Wenden Sie keine Gewalt beim Einsetzen des Akkublocks an. Wenn der Akkublock nicht leicht hineingleitet, dann haben Sie ihn nicht richtig ausgerichtet.
4. Um die Batterie zu entfernen, schieben Sie diese aus dem Radio heraus, während Sie die Taste an der Vorderseite der Halterung verschieben.

Aufsteckakku einsetzen bzw. entfernen (Abb. 4 & 5)

1. Zum Einsetzen des Akkublocks müssen Sie die Akkublockzunge an der inneren Gehäusenut ausrichten und den Akkublock hineinschieben.
2. Drücken Sie zum Entfernen des Akkublocks die an der Akkuseite befindlichen Knöpfe und ziehen Sie den Akkublock heraus.

Anzeigen der Restladung des Akkus

* Nur für Akkublöcke mit einem „B“ am Ende der Modellnummer



➤ 1. Anzeigelampen 2. Test-Taste

Drücken Sie zum Anzeigen der Restladung des Akkus die Akkuprüftaste. Die Anzeigelampen leuchten dann wenige Sekunden lang auf.

• 14,4V/18V Batterien

| Anzeigelampen | | | Verbleibende Kapazität |
|---------------|-----|--------|------------------------------------|
| Leuchtet | Aus | Blinkt | |
| ■ ■ ■ ■ | | | 75% ~ 100% |
| ■ ■ ■ □ | | | 50% ~ 75% |
| ■ ■ □ □ | | | 25% ~ 50% |
| ■ □ □ □ | | | 0% ~ 25% |
| ▬ □ □ □ | | | Batterie aufladen |
| ■ ■ □ □ | ↑ ↓ | ■ ■ | Mögliche Fehlfunktion der Batterie |

● **Max. 10,8V-12V Batterien**

| Anzeigelampen | | | Verbleibend Kapazität |
|---------------|-----|--------|--------------------------|
| Leuchtet | Aus | Blinkt | |
| ■ | □ | ▬ | 75% ~ 100% |
| ■ | ■ | □ | 50% ~ 75% |
| ■ | □ | □ | 25% ~ 50% |
| ■ | □ | □ | 0% ~ 25% |

HINWEIS:

Je nach Gebrauchsbedingungen und Umgebungstemperatur können die Anzeigen leicht von der tatsächlichen Kapazität abweichen.

Betrieb mit flexibler Stabantenne (Abb. 1)

Richten Sie die flexible Stabantenne wie in der Abbildung dargestellt auf.

Betrieb mit mitgeliefertem Netzadapter

Entfernen Sie die Gummiabdeckung und schließen Sie den Adapterstecker an die DC-Buchse rechts am Radio an.

Schließen Sie den Netzadapter an eine herkömmliche Steckdose an.

Während des Gebrauchs des Netzadapters wird die Batterie automatisch getrennt.

⚠ VORSICHT:

- **Trennen Sie den AC-Netzadapter immer vollständig, bevor Sie das Radio umstellen. Anderenfalls besteht Stromschlaggefahr.**
- **Ziehen Sie niemals am Kabel des Netzadapters. Anderenfalls könnte das Radio herunterfallen und dadurch Verletzungen verursachen.**

WICHTIG:

- Der Netzadapter ist die Trennvorrichtung des Radios vom Netzstrom. Die verwendete Steckdose muss während des normalen Gebrauchs immer frei zugänglich sein.
- Ziehen Sie den Netzadapter vollständig aus der Steckdose heraus, um das Radio vom Netzstrom zu trennen.
- Verwenden Sie nur das im Lieferumfang enthaltene bzw. ein von Makita empfohlenes AC-Netzteil.
- Halten Sie weder das Netzkabel noch den Netzstecker an Ihren Mund. Es besteht Stromschlaggefahr.
- Berühren Sie den Netzstecker nicht mit nassen oder fettigen Händen.
- Beschädigte oder verhedderte Kabel erhöhen die Stromschlaggefahr. Falls das Kabel beschädigt ist,

lassen Sie es von einem autorisierten Kundendienst ersetzen, um Gefahrensituationen zu vermeiden.

Benutzen Sie es erst wieder nach der Reparatur.

- Bewahren Sie das AC-Netzteil nach dem Gebrauch außer Reichweite von Kindern auf. Kinder können sich verletzen, falls sie mit dem Kabel spielen.

Ladevorgang über USBStromversorgungsanschluss

Der USB-Port befindet sich an der Vorderseite des Radios. Sie können ein USB-Gerät über den USB-Port aufladen.

1. Schließen Sie das USB-Gerät, z. B. einen iPod, MP3- oder CD-Spieler, über ein handelsübliches USB-Kabel an.
2. Drücken Sie die Ein/Aus-Taste, um Ihr Radio einzuschalten.
3. Das Radio ist sowohl im Netzbetrieb, als auch im Batteriebetrieb in der Lage, das USB-Gerät aufzuladen, sofern das Radio eingeschaltet ist und sich im FM/DAB -Modus, BT-Modus oder bei angeschlossener externer Audio-Quelle im AUX-Modus befindet.

Hinweis:

- Beim aktiven USB-Ladevorgang steht nur eine eingeschränkte Lautsprecherleistung zur Verfügung.
- Der USB-Port kann max. 5 V/1 A zur Verfügung stellen.

Wichtig:

- Vor dem Anschluss Ihres USB-Geräts an den USB-Port müssen Sie immer ein Daten-Backup Ihres USB-Geräts ausführen! Ihre Daten könnten sonst möglicherweise durch unvorhersehbare Umstände verloren gehen.
- Das Radio kann möglicherweise einige USB- Geräte nicht mit Elektrizität versorgen.
- Schließen Sie die USB-Abdeckung und ziehen Sie das USB-Kabel ab, wenn Sie den USB-Port nicht benutzen.
- Schließen Sie am USB-Port keine Versorgungsspannung an! Es besteht ansonsten Brandgefahr! Der USB-Port ist ausschließlich zum Laden von Niederspannungsgeräten geeignet. Schließen Sie immer die Abdeckung des USB-Ports, wenn Sie kein Niederspannungsgerät laden.
- Niemals Fremdkörper (Nägel, Draht etc.) in den USB-Stromversorgungsanschluss einführen! Es könnte ein Kurzschluss entstehen und einen Brand mit Rauchentwicklung verursachen.
- Schließen Sie niemals den USB-Port des Radios am USB-Port eines PCs an, weil dadurch beide Geräte beschädigt werden können!

RADIOBETRIEB

Dieses Radio verfügt über drei Möglichkeiten der Sendereinstellung: Sendersuchlauf, manuelle Sendereinstellung und Aufrufen zuvor gespeicherter Sender.

Auswählen eines Senders – DAB

1. Schalten Sie das Radio durch Drücken der Ein/Aus-Taste ein.
2. Wählen Sie durch Drücken der Taste BAND den DAB-Modus aus.
3. Drücken Sie auf die Einstelltaste ADVANCED (Erweiterte Einstellungen), und drehen Sie den Drehknopf VOLUME für Lautstärke/Sendereinstellung/Auswahl, bis im Display „Station List“ (Senderliste) blinkt. Drücken Sie auf den Drehknopf VOLUME für Lautstärke/Sendereinstellung/Auswahl, um die Senderliste aufzurufen.
4. Drehen den Drehknopf VOLUME für Lautstärke/Sendereinstellung/Auswahl, um die Senderliste zu durchblättern. Drücken Sie auf den Drehknopf, um den Sender auszuwählen.
5. Stellen Sie die gewünschte Lautstärke ein, indem Sie den Drehknopf VOLUME für Lautstärke/Sendereinstellung/Auswahl drehen.

Displaymodi – DAB

Das Radio verfügt im DAB-Modus über verschiedene Displayoptionen:

Drücken Sie auf die Taste INFO, um durch die verschiedenen Optionen zu blättern. Die einzelnen Optionen werden unter den folgenden Buchstaben (a bis g) erläutert:

- | | |
|---|---|
| a. Station name (Sendername) | Zeigt den Namen des eingestellten Senders an. |
| b. Program type (Programmgenre) | Zeigt das Genre des eingestellten Senders an (z. B. Pop, Klassik, Nachrichten usw.). |
| c. Multiplex name (Multiplex-Name) | Zeigt den Namen des DAB-Multiplex an, zu dem der eingestellte Sender gehört. |
| d. Time & date (Uhrzeit und Datum) | Zeigt das aktuelle Datum und die aktuelle Uhrzeit an. |
| e. Frequency and channel (Frequenz und Kanal) | Zeigt die Frequenz und die Kanalnummer des eingestellten DAB-Senders an. |
| f. Bit rate/Audio type (Bitrate/Audio-Typ) | Zeigt die Bitrate und den Audio-Typ des Digital Audio des eingestellten DAB-Senders an. |
| g. Signal strength (Signalstärke) | Zeigt die Signalstärke des eingestellten DAB-Senders an. |

Suchen neuer Stationen – DAB

Von Zeit zu Zeit können neue DAB-Rundfunkstationen empfangbar werden. Möglicherweise sind Sie auch in einen anderen Teil des Landes gewechselt. In diesem Fall möchten Sie möglicherweise, dass das Radio nach neuen Sendern sucht.

Damit das Radio alle empfangbaren Sender finden kann, wird empfohlen, dass Sie einen vollständigen Sendersuchlauf über alle Frequenzen des DAB-Band III durchführen.

1. Drücken Sie auf die Taste AUTOTUNE (Automatische Sendereinstellung).
2. Das Radio führt daraufhin einen Sendersuchlauf über alle DAB-Frequenzen hinweg aus. Immer wenn ein neuer Sender gefunden wird, erhöht sich der Senderzähler links im Display, und die Station wird in die Liste eingetragen.

Manuelle Sendereinstellung – DAB

Mit der manuellen Sendereinstellung können Sie am Radio eine ganz konkrete DAB-Frequenz in BAND III einstellen. Diese Funktion kann auch für das Ausrichten der Antenne bzw. des Radios auf den optimalen Empfang eines bestimmten Kanals oder einer bestimmten Frequenz genutzt werden.

1. Drücken Sie auf die Einstelltaste ADVANCED (Erweiterte Einstellungen), und drehen Sie den Drehknopf VOLUME für Lautstärke/Sendereinstellung/Auswahl, bis im Display „Manual Tune“ (Manuelle Sendereinstellung) blinkt. Drücken Sie auf den Drehknopf VOLUME für Lautstärke/Sendereinstellung/Auswahl, um die manuelle Sendereinstellung zu aktivieren.
2. Drehen Sie den Drehknopf VOLUME für Lautstärke/Sendereinstellung/Auswahl, um den gewünschten DAB-Kanal auszuwählen. Drücken Sie auf den Drehknopf VOLUME für Lautstärke/Sendereinstellung/Auswahl, um die ausgewählte Frequenz zu übernehmen.

Festlegen der Reihenfolge der Sender – DAB

Das Radio verfügt über 3 Einstellungen für die Reihenfolge der Sender, von der eine ausgewählt werden kann. Die Einstellungen für die Reihenfolge der Sender sind „Alphanumeric“ (Alphanumerisch), „Ensemble“ und „Valid station“ (Gültiger Sender).

1. Drücken Sie auf die Einstelltaste ADVANCED (Erweiterte Einstellungen).
2. Drehen Sie den Drehknopf VOLUME für Lautstärke/Sendereinstellung/Auswahl, bis im Display „Station order“ (Senderreihenfolge) angezeigt wird, und drücken Sie anschließend auf den Drehknopf VOLUME für Lautstärke/Sendereinstellung/Auswahl, um den Einstellungsmodus zu aktivieren.
3. Drehen Sie den Drehknopf VOLUME für Lautstärke/Sendereinstellung/Auswahl, um eine der folgenden Möglichkeiten auszuwählen, und drücken Sie anschließend auf den Drehknopf, um die ausgewählte Einstellung zu übernehmen.

| | |
|----------------------------------|--|
| Alphanumeric (Alphanumerisch) | Sortiert die Senderliste alphanumerisch 0...9 A...Z |
| Ensemble | Organisiert die Senderliste nach DAB- Multiplex |
| Valid (Gültig) | Zeigt nur jene Sender an, deren Signal empfangen wird |

Dynamic Range Control (DRC) – DAB

Die Funktion DRC sorgt dafür, dass leisere Passagen besser zu hören sind, wenn das Radio in einer lautstarken Umgebung genutzt wird, indem der Dynamikbereich des Audiosignals eingengt wird. Es sind drei Stufen der Komprimierung möglich:

| | |
|---------|----------------------------|
| DRC 0 | Keine Komprimierung |
| DRC 1/2 | Mittelstarke Komprimierung |
| DRC 1 | Maximale Komprimierung |

1. Schalten Sie das Radio durch Drücken der Ein/Aus-Taste ein.
2. Drücken Sie auf die Taste BAND, um das DAB-Band auszuwählen.
3. Drücken Sie auf die Einstelltaste ADVANCED (Erweiterte Einstellungen), und drehen Sie den Drehknopf VOLUME für Lautstärke/Sendereinstellung/Auswahl, bis im Display „DRC Value“ (DRC-Wert) blinkt. Drücken Sie anschließend auf den Drehknopf VOLUME für Lautstärke/Sendereinstellung/Auswahl, um den Einstellungsmodus zu aktivieren. Im Display wird der derzeitige eingestellte DRC-Wert angezeigt.
4. Drehen Sie den Drehknopf VOLUME für Lautstärke/Sendereinstellung/Auswahl, um die gewünschte DRC-Einstellung auszuwählen.
5. Drücken Sie anschließend auf den Drehknopf VOLUME für Lautstärke/Sendereinstellung/Auswahl, um die Einstellung zu übernehmen.

Sendersuchlauf – FM

1. Drücken Sie die Ein/Aus-Taste, um das Radio einzuschalten.
2. Wählen Sie das gewünschte Frequenzband durch Drücken der Taste BAND. Achten Sie darauf, dass die flexible Stabantenne eingesetzt wurde, damit ein guter FM-Empfang gegeben ist. Betreiben Sie das Radio möglichst nicht in der Nähe eines Computerbildschirms oder anderer Geräte, die den Radioempfang stören könnten.
3. Drücken Sie auf die Taste AUTOTUNE (Automatische Sendereinstellung). Das Radio beginnt, nach Sendern zu suchen. Wenn ein Rundfunksender gefunden wurde, stoppt das Radio die Suche automatisch. Das Radio setzt die Suche nach den nächsten empfangbaren Sendern solange fort, bis der Benutzer auf die Taste AUTOTUNE drückt, um den Sendersuchlauf zu beenden.
4. Drehen Sie den Drehknopf VOLUME für Lautstärke/

Sendereinstellung/Auswahl, um die gewünschte Lautstärke einzustellen. Die Änderung der Lautstärke wird im LCD-Display angezeigt.

5. Schalten Sie das Radio durch Drücken der Ein/Aus-Taste aus.

Sendersuchbereich für FM

Im FM-Modus kann das Radio so eingestellt werden, dass es entweder nur Sender in der Nähe oder nach allen Sendern, auch weiter entfernten, sucht.

1. Drücken Sie die Ein/Aus-Taste, um das Radio einzuschalten.
2. Drücken Sie die Frequenzbandtaste zur Auswahl des UKW-Bands.
3. Drücken Sie die Einstellungstaste und drehen Sie den Lautstärke/Tuning/Auswahl-Regler, bis im Display die Anzeige „FM Scan Zone“ erscheint. Drücken Sie den Lautstärke/Tuning/Auswahl-Regler erneut, um die Einstellungen aufzurufen.
4. Drehen Sie den Lautstärke/Tuning/Auswahl-Regler, um in der unteren Zeile des Displays zwischen „Local“ (nur Sender mit starkem Signal) und „Distant“ (alle Sender) zu wechseln. Mit der Option Distant ist es möglich, auch nach Sendern mit schwächerem Signal zu suchen.
5. Drücken Sie den Lautstärke/Tuning/Auswahl-Regler zum Bestätigen. Die jeweilige ausgewählte Einstellung wird im Radio gespeichert und bleibt erhalten, bis sie geändert oder eine Rückstellung des Geräts durchgeführt wird.

Manuelle Sendereinstellung – FM

1. Drücken Sie die Ein/Aus-Taste, um das Radio einzuschalten.
2. Wählen Sie durch Drücken der Taste BAND das gewünschte Frequenzband aus. Richten Sie die Antenne wie bereits oben erläutert aus.
3. Durch Drehen des Drehknopfs VOLUME für Lautstärke/Sendereinstellung/Auswahl wird die Frequenz in folgenden Schritten geändert: FM: 50 kHz.

Hinweis:

Wenn Sie den gewünschten Sender anhand des Drehknopfs VOLUME für Lautstärke/Sendereinstellung/Auswahl suchen möchten, drücken Sie den Drehknopf VOLUME für Lautstärke/Sendereinstellung/Auswahl, um zum Modus „Sendereinstellung“ zu wechseln.

4. Drehen Sie den Drehknopf VOLUME für Lautstärke/Sendereinstellung/Auswahl weiter, bis die gewünschte Frequenz im Display angezeigt wird.
5. Drehen Sie den Drehknopf VOLUME für Lautstärke/Sendereinstellung/Auswahl, um die gewünschte Lautstärke einzustellen.
6. Schalten Sie das Radio durch Drücken der Ein/Aus-

Taste aus.

Displaymodi – FM (RDS)

Das Radio bietet im FM-Modus eine Vielzahl an Displayoptionen.

Drücken Sie wiederholt die Info-Taste, um die RDS-Informationen (Radio Data System) des wiedergegebenen Senders anzuzeigen.

- | | |
|---------------------------------------|---|
| a. Program station (Sendername) | Zeigt den Namen des eingestellten Senders an. |
| b. Frequency (Frequenz) | Zeigt die Frequenz des eingestellten FM-Signals an. |
| c. Radio text (Radio-Text) | Zeigt Textmeldungen wie z. B. Nachrichten usw. an. |
| d. Program type (Programmgenre) | Zeigt das Genre des eingestellten Senders an, beispielsweise Pop, Classic, News usw. |
| e. Time & date (Uhrzeit und Datum) | Zeigt das aktuelle Datum und die aktuelle Uhrzeit an. |

Speichern von Sendern im Senderspeicher (DAB und FM)

Für jeden Frequenzbereich stehen 5
Senderspeicherplätze zur Verfügung.

1. Drücken Sie die Ein/Aus-Taste, um das Radio einzuschalten.
2. Stellen Sie anhand einer der oben beschriebenen Methoden den gewünschten Sender ein.
3. Drücken und halten Sie die gewünschte Taste unter PRESETS (Senderspeicher), bis die Nummer des Senderspeicherplatzes im Display angezeigt wird, beispielsweise „P2 Saved“ (P2 gespeichert). Der Sender ist nun unter der ausgewählten Taste unter PRESETS gespeichert.
4. Wiederholen Sie diese Schritte für die verbleibenden Senderspeicher.
5. Durch Ausführen der oben angegebenen Schritte können im Senderspeicher gespeicherte Sender überschrieben werden.

Aufrufen von Sendern aus dem Senderspeicher (DAB und FM)

1. Drücken Sie die Ein/Aus-Taste, um das Radio einzuschalten.
2. Wählen Sie durch Drücken der Taste BAND das von Ihnen gewünschte Frequenzband aus.
3. Drücken Sie die gewünschte Taste für voreingestellte Sender. Die Nummer des Senderspeichers und die Frequenz des Senders erscheinen in der Anzeige.

MUSIKWIEDERGABE VIA BLUETOOTH- ÜBERTRAGUNG

Sie müssen zunächst Ihr Bluetooth-Gerät mit dem radio koppeln, bevor Sie mit diesem radio Musik via Bluetooth abspielen/übertragen können. Durch die Kopplung entsteht eine "Verbindung", damit sich beide Geräte gegenseitig erkennen.

Hinweis:

Für eine bessere Sound-Qualität empfehlen wir, die Lautstärke an Ihrem Bluetooth-Gerät mit einer Einstellung von zwei Dritteln und am radio je nach Bedarf einzustellen.

Erstmalige Kopplung mit Ihrem Bluetooth-Gerät

1. Drücken Sie die Ein/Aus-Taste, um das Radio einzuschalten. Drücken Sie dann die Frequenzbandtaste zur Auswahl des Bluetooth-Modus. Die Bluetooth-Anzeige der Speicherplatztasten blinkt blau und weist somit darauf hin, dass das Radio sichtbar ist.
2. Aktivieren Sie an Ihrem externen Gerät gemäß dessen Bedienungsanleitung die Bluetooth-Funktion, um es mit dem radio zu koppeln. Öffnen Sie die Bluetooth-Geräteliste und wählen Sie das Gerät „DMR112.“. Einige Handys (mit älteren Versionen als BT.2.1 Bluetooth) erfordern möglicherweise die Eingabe eines Passworts. Geben Sie in solch einem Fall „0000“ ein.
3. Nach der Verbindung ertönt ein Signalton zur Bestätigung und die Bluetooth-Anzeige der Speicherplatztasten leuchtet stetig blau. Sie können nun an Ihrem externen Gerät Musik auswählen und abspielen. Die Lautstärke können Sie am externen Gerät oder am radio einstellen.
4. Verwenden Sie die Tasten an Ihrem Bluetooth-fähigen Gerät oder am radio, um Titel abzuspielen/zu unterbrechen bzw. zu suchen.

Hinweis:

1. Bei der erstmaligen Kopplung von 2 Bluetooth-Geräten suchen beide Geräte nach dem radio; an beiden Geräten wird dessen Verfügbarkeit angezeigt. Sobald jedoch ein Gerät mit dem radio verbunden ist, erscheint es nicht mehr in der Geräteliste des zweiten Bluetooth-Geräts.
2. Falls Ihr Bluetooth-Gerät vorübergehend vom radio getrennt ist, müssen Sie es erneut manuell mit dem radio verbinden.
3. Falls „DMR112“ in der Geräteliste Ihres Bluetooth-Geräts erscheint, jedoch nicht verbunden werden kann, löschen Sie es aus der Liste und führen Sie die Kopplung erneut anhand der vorher beschriebenen Vorgehensweise durch.

4. Die optimale Bluetooth-Übertragungsreichweite zum Radio beträgt ungefähr 10 Meter (30 Fuß) (Sichtlinie), wobei jedoch Reichweiten von bis zu 30 Metern (100 Fuß) möglich sein können.
5. Falls die Bluetooth-Verbindung aufgrund einer zu lange andauernden Trennung, einer Überschreitung der optimalen Reichweite oder aufgrund von Hindernissen oder ähnlichem getrennt wurde, müssen das Gerät und das Radio möglicherweise erneut verbunden werden.
6. Gegenstände, schnurlose Geräte oder elektromagnetische Geräte können die Verbindungsqualität beeinflussen.
7. Bluetooth-Verbindungsfähigkeit kann je nach verbundenem Bluetooth-Gerät variieren. Informieren Sie sich über die Bluetooth-Fähigkeit Ihres externen Geräts, bevor Sie Ihr Radio verbinden. Einige gekoppelte Bluetooth-Geräte unterstützen möglicherweise nicht alle Funktionen.

Wiedergabe von Audiodateien im Bluetooth-Modus

Nachdem Sie Ihren radio erfolgreich mit einem Bluetooth-Gerät verbunden haben, können Sie Musik unter Verwendung der Tasten am verbundenen Bluetooth-Gerät abspielen.

1. Nach dem Start der Wiedergabe können Sie die Lautstärke mit den Lautstärketasten an Ihrem radio oder Ihrem aktivierten Bluetooth-Gerät einstellen.
2. Verwenden Sie die Tasten an Ihrem Gerät, um die Wiedergabe zu starten/zu unterbrechen und um Titel auszuwählen.

Hinweis:

1. Möglicherweise reagieren nicht alle Anwendungen oder Geräte auf das Drücken der Tasten.
2. Bei einigen Handys wird möglicherweise vorübergehend die Verbindung mit dem radio getrennt, während Sie Anrufe tätigen oder entgegennehmen. An einigen Geräten wird die Bluetooth-Übertragung stumm geschaltet, wenn Textnachrichten und E-Mails eingehen oder andere Gründe auftreten, die nicht im Zusammenhang mit der Audioübertragung stehen. Dies liegt am externen Gerät und ist keine Fehlfunktion Ihres radio.

Wiedergabe eines bereits früher gekoppelten Bluetooth-Geräts

Der radio kann bis zu 8 gekoppelte Geräte speichern. Bei Überschreitung der Anzahl dieses Speichers wird der älteste Speichereintrag überschrieben. Falls Ihr Bluetooth-Gerät bereits zu einem früheren Zeitpunkt mit dem radio gekoppelt wurde, erkennt der radio das Bluetooth-Gerät und wird immer versuchen, die Verbindung mit dem zuletzt verbundenen Gerät wieder herzustellen. Falls das zuletzt verbundene Gerät nicht verfügbar ist, ist der radio nicht erkennbar.

Bluetooth-Gerät trennen

Halten Sie die Bluetooth-Kopplungstaste 2-3 Sekunden lang gedrückt, um das Bluetooth-Gerät zu trennen. Die Bluetooth-Anzeige der Speicherplatztasten blinkt blau und weist somit darauf hin, dass das Radio wieder für die Bluetooth-Kopplung verfügbar ist.

AUX-EINGANGSBUCHSE

Das Radio verfügt über zwei 3,5 mm Aux-Stereoeingangsbuchsen – eine an der Vorderseite des Radios (AUX IN 1) und die andere am Batteriefach (AUX IN 2).

1. Verbinden Sie ein externes Audiogerät (z.B. iPod, MP3- oder CD-Player) unter Verwendung eines Audiokabels mit dem Aux-Eingang.
2. Drücken Sie wiederholt die Frequenzbandtaste, bis im Display die Anzeige „AUX IN 1“ bzw. „AUX IN 2“ erscheint; die AUX-Funktion ist dann aktiviert.
3. Im Hinblick auf eine bessere Soundqualität wird empfohlen, am Audiogerät die Lautstärke mit ungefähr zwei Dritteln und dann entsprechend am Radio einzustellen.

HINWEIS:

Das Audiokabel ist kein Standardzubehör des Produkts.

ANDERE EINSTELLUNGEN

Sprachoptionen

Das Radio verfügt über acht Auswahlmöglichkeiten für die Sprache:

Englisch, Deutsch, Italienisch, Französisch, Niederländisch, Dänisch, Norwegisch und Spanisch.

1. Drücken Sie auf die Einstelltaste ADVANCED (Erweiterte Einstellungen).
2. Drehen Sie den Drehknopf VOLUME für Lautstärke/ Sendereinstellung/Auswahl weiter, bis „Language“ (Sprache) im Display angezeigt wird. Drücken Sie auf den Drehknopf VOLUME für Lautstärke/ Sendereinstellung/Auswahl, um den Einstellungsmodus zu aktivieren.
3. Drehen Sie den Drehknopf VOLUME für Lautstärke/ Sendereinstellung/Auswahl, um die gewünschte Sprache auszuwählen. Drücken Sie anschließend auf den Drehknopf VOLUME für Lautstärke/ Sendereinstellung/Auswahl, um die Einstellung zu übernehmen.

Regelung der Helligkeit

Die Helligkeit der Tastenbeleuchtung kann verändert werden.

1. Drücken Sie auf die Einstelltaste ADVANCED (Erweiterte Einstellungen).
2. Drehen Sie den Lautstärke/Tuning/Auswahl-Regler,

bis im Display die Anzeige „Button Light“ erscheint. Drücken Sie den Lautstärke/Tuning/Auswahl-Regler erneut, um die Einstellungen aufzurufen.

3. Drehen Sie den Lautstärke/Tuning/Auswahl-Regler zur Auswahl von „On“ oder „Off“, um die Tastenbeleuchtung zu aktivieren oder zu deaktivieren. Drücken Sie dann den Lautstärke/Tuning/Auswahl-Regler erneut zum Bestätigen.

Zurücksetzen des Systems

Falls das Radio nicht ordnungsgemäß funktionieren sollte oder wenn im Display Stellen fehlen oder unvollständig sind, führen Sie die folgenden Schritte aus.

1. Drücken Sie auf die Einstelltaste ADVANCED (Erweiterte Einstellungen).
2. Drehen Sie den Drehknopf VOLUME für Lautstärke/Sendereinstellung/Auswahl weiter, bis „Factory Reset“ (Auf werkseitige Einstellungen zurücksetzen) im Display angezeigt wird. Drücken Sie auf den Drehknopf VOLUME für Lautstärke/Sendereinstellung/Auswahl, um den Einstellungsmodus zu aktivieren.
3. Drehen Sie den Drehknopf VOLUME für Lautstärke/Sendereinstellung/Auswahl, um „Yes“ (Ja) auszuwählen. Drücken Sie auf den Drehknopf VOLUME für Lautstärke/Sendereinstellung/Auswahl, um die Einstellung zu übernehmen. Dadurch wird ein vollständiges Zurücksetzen ausgeführt.

Softwareversion

1. Drücken Sie auf die Einstelltaste ADVANCED (Erweiterte Einstellungen).
2. Drehen Sie den Drehknopf VOLUME für Lautstärke/Sendereinstellung/Auswahl weiter, bis „SW Version“ im Display angezeigt wird. Drücken Sie auf den Drehknopf VOLUME für Lautstärke/Sendereinstellung/Auswahl, um die im Radio installierte Softwareversion anzuzeigen.

Micro-USB-Anschluss für Softwareaktualisierung

Zukünftig werden möglicherweise Softwareaktualisierungen für das Radio zur Verfügung gestellt.

Wenn Softwareaktualisierungen verfügbar werden und wie Sie eine Aktualisierung der Software Ihres Radios vornehmen können, erfahren Sie auf der **Website von Makita**.

WARTUNG

⚠ **ACHTUNG:**

Verwenden Sie zum Reinigen niemals Kraftstoffe, Benzin, Verdünner, Alkohol oder ähnliches. Dies kann zu Verfärbungen, Verformungen oder Rissen führen.

Technische Daten

| Elektrische Daten | |
|----------------------|---|
| Netzadapter | Gleichspannung 12 V 1,2A; mittlerer Stift Pluspol |
| Akku | Aufsteckakku: 7,2V - 10,8V Einschubakku: 10,8V - 18V |
| Frequenzbereich | FM 87,50 - 108 MHz DAB/DAB+ 174,928-239,200 MHz |
| DAB/DAB+ Kanalblock | DAB (Band III) 5A-13F |
| Kompatibler Standard | DAB/DAB+ |

| Bluetooth® | |
|--|---|
| (Die Bluetooth®-Wortmarke und die Bluetooth®-Logos sind eingetragene Marken von Bluetooth SIG, Inc.) | |
| Bluetooth-Version | 4,0 |
| Bluetooth-Profil | A2DP/SCMS-T |
| Übertragungsleistung | Leistungsklasse 2 |
| Übertragungsbereich | Optimum: Max. 10 Meter (33 Fuß) Möglich: Max. 30 Meter (100 Fuß) (abhängig von den Gebrauchsbedingungen) |
| Unterstützter Bluetooth-Codex | SBC,AAC |
| Kompatibles Bluetooth-Profil | A2DP |
| Maximale Radiofrequenzleistung: | BT EDR: 3,12dBm BT LE: 2,31dBm |
| Betriebsfrequenz | 2402MHz-2480MHz |

| Elektrische Daten | |
|-------------------------|---|
| Lautsprecher | 3,5 Zoll, 32 Ohm x 2 |
| Ausgangsleistung | 7,2 V: 0,6 W X 2 12Vmax: 1,7 W X 2 14,4 V: 3 W X 2 18 V: 4,9 W X 2 |
| Eingangsbuchse | Durchmesser 3,5 mm (AUX IN1/AUX IN2) |
| Antennensystem | DAB/FM: Flexible Stabantenne Stabantenne |
| Abmessungen (L x B x H) | 282 x 163 x 294 mm |
| Gewicht | 4,3KG (ohne Akku) |

DESCRIZIONE DEL PRODOTTO (Fig. 1~5)

1. Antenna morbida a stelo pieghevole
2. Vano batteria
3. Maniglia
4. Pannello vano batteria (copre la cartuccia batteria)
5. Presa DC IN
6. Altoparlante
7. Tasto di accensione
8. Selettore banda
9. Tasto impostazioni avanzate
10. Tasto informazioni
11. Preselezione 2~5
12. Tasto sintonizzazione automatica
13. Manopola Volume/Sintonizzazione
14. Porta alimentazione USB
15. Ingresso AUX IN 1
16. Preselezione 1/Tasto abbinamento Bluetooth
17. Quadrante LCD
18. Terminale ingresso AUX IN 2
19. Vano batteria
20. Porta Micro-USB per aggiornamento del software
21. Cartuccia batteria

LEGENDA

Qui di seguito vengono descritti i simboli usati per l'apparecchio, il cui significato va compreso prima dell'uso.



Leggere il manuale delle istruzioni.



Solo per i paesi della UE

Non gettare batterie o dispositivi elettrici con i rifiuti domestici ordinari!

Nel rispetto delle Direttive Europee sui Dispositivi Elettrici ed Elettronici di Scarto e sulle Batterie e Accumulatori e sulle Batterie ed Accumulatori di Scarto e la loro implementazione in accordo con le leggi nazionali, i dispositivi elettrici e le batterie al termine del loro ciclo vitale devono essere raccolte separatamente e consegnate a una struttura di riciclaggio nel rispetto dell'ambiente.

IMPORTANTI ISTRUZIONI PER LA SICUREZZA

⚠ AVVERTENZE:

Quando si usa un apparecchio elettrico, è necessario seguire alcune semplici precauzioni per ridurre il rischio di incendi, scosse elettriche e infortuni, incluse le seguenti:

1. Prima dell'uso, studiare bene il presente manuale e il manuale delle istruzioni del caricabatteria.
2. Pulire solo con un panno asciutto.
3. Non installare nei pressi di fonti di calore, quali stufe, termosifoni, radiatori o altri apparecchi che producano calore (amplificatori inclusi).
4. Usare esclusivamente gli accessori specificati dal produttore.
5. Staccare la spina dell'apparecchio durante i temporali o se non intende usarlo per lunghi periodi.
6. Le radio con batteria integrata o separata devono essere ricaricate solo con il caricabatteria specifico per quel tipo di batteria. Un caricabatteria destinato ad un determinato tipo di batteria potrebbe comportare il pericolo di incendio se utilizzato con batterie diverse.
7. Utilizzare la radio a batteria solo con le batterie specifiche. L'utilizzo di batterie diverse potrebbe esporre al rischio di incendio.
8. Quando il pacco di batterie non è in uso, va tenuto separato da altri oggetti in metallo, quali fermagli, monete, chiavi, viti e altri oggetti metallici minuti, che potrebbero mettere in cortocircuito i due poli della batteria, con il rischio di causare scintille, e conseguenti incendi o ustioni.
9. Evitare il contatto tra il proprio corpo e altri materiali conduttori, quali tubi, termosifoni, fornelli, frigoriferi e simili. Il rischio di scossa elettrica aumenta di molto se è il proprio corpo che è in contatto con tali materiali.
10. L'abuso delle batterie può causare perdite di elettroliti, il contatto con i quali va evitato. In caso di contatto accidentale, sciacquare abbondantemente con acqua pulita. In caso di contatto con gli occhi, rivolgersi immediatamente ad un medico. Gli elettroliti espulsi dalle batterie possono causare ustioni chimiche e irritazioni.
11. Non usare batterie o strumenti danneggiati o alterati. Le batterie danneggiate o alterate potrebbero comportarsi in maniera imprevedibile, causando incendi, esplosioni e lesioni.
12. Non esporre le batterie al fuoco o a temperature sopra i 130°C, o potrebbero esplodere.
13. Seguire tutte le istruzioni per la ricarica e non caricare le batterie e gli strumenti a temperature che eccedano le specifiche tecniche indicate nelle istruzioni. La ricarica inappropriata o a temperature non consentite può danneggiare la batteria e aumentare il rischio di incendi.

14. La spina dell'apparecchio funge da dispositivo di scollegamento di emergenza, e come tale va mantenuta prontamente accessibile.
 15. Non usare il prodotto ad alto volume per lunghi periodi di tempo. Per preservare l'udito, usare il prodotto a volume moderato.
 16. (Solo per prodotti con quadrante LCD) I quadranti LCD contengono sostanze liquide tossiche ed irritanti. Se il liquido entra in contatto con gli occhi, la bocca o la pelle, sciacquare con acqua pulita e contattare un medico.
 17. Non esporre il prodotto a pioggia o umidità. L'ingresso di acqua nel prodotto può aumentare il rischio di scossa elettrica.
 18. Questo prodotto non è adatto ad essere usato da persone, bambini inclusi, con ridotte capacità fisiche, mentali o sensoriali, o prive della necessaria esperienza e perizia, a meno che non siano istruite e supervisionate da un tutore responsabile per la loro incolumità. I bambini devono essere supervisionati per accertarsi che non giochino con il prodotto. Conservare il prodotto fuori della portata dei bambini.
8. Non sottoporre le batterie a urti o cadute.
 9. Non usare le batterie se danneggiate.
 10. Per evitare rischi, leggere il manuale delle batterie sostituibili prima dell'uso. L'emissione massima della batteria dovrebbe essere pari o superiore a 8A.
 11. Le incluse batterie agli ioni di litio sono soggette ai requisiti della Legislazione sulle Merci Pericolose. È necessario osservare i requisiti speciali riguardanti il confezionamento e l'etichettatura per il trasporto commerciale da parte di terzi e di spedizionieri. Per approntare tali articoli alla spedizione è richiesta la consulenza di un esperto in materiali pericolosi. Osservare inoltre qualsiasi altra legge locale. Isolare con nastro o mascherare i contatti esposti, ed imballare la batteria così che non si muova all'interno del pacco.
 12. Rispettare le leggi locali in materia di smaltimento delle batterie usate.
 13. Usare le batterie solo con i prodotti specificati da Makita. Installando le batterie su prodotti non conformi ci si espone al rischio di incendi, surriscaldamento, esplosioni o perdite di elettroliti.

CONSERVARE QUESTE ISTRUZIONI

AVVERTENZE PER LA SICUREZZA

SPECIFICHE PER IL PACCO BATTERIA

1. Prima di usare il pacco batteria, leggere tutte le istruzioni e i contrassegni di avvertenza sul pacco stesso (1), sulle batterie (2) e sul prodotto a cui sono destinate (3).
2. Non smontare il pacco batterie.
3. Se la durata delle batterie dovesse ridursi drasticamente, interrompere subito l'uso, così da prevenire il rischio di surriscaldamenti, ustioni ed esplosioni.
4. Nel caso di contatto tra gli elettroliti della batteria e gli occhi, sciacquare con acqua pulita e rivolgersi subito ad un medico. Rischio di danni alla vista.
5. Non mettere il pacco batteria in cortocircuito:
 - (1) Non toccare i poli con materiali conduttori;
 - (2) Non riporre il pacco delle batterie in contenitori con altri oggetti metallici, quali chiodi, monete e simili;
 - (3) Non esporre la batteria ad acqua o umidità. Un cortocircuito della batteria può causare sovraccarichi di tensione, surriscaldamenti, ustioni ed anche guasti.
6. Non riporre l'apparecchio e il pacco delle batterie in luoghi con temperature vicine o superiori ai 50°C.
7. Non bruciare il pacco batteria, anche se severamente

⚠ ATTENZIONE:

- **Pericoloso di esplosione se la batteria non è sostituita correttamente.**
- **Sostituire solo con batterie dello stesso modello o equivalenti.**
- **Usare solo batterie Makita originali. L'uso di batterie non originali o alterate comporta il rischio di esplosioni, lesioni personali e danni, ed inficerebbe la garanzia Makita per lo strumento e il caricabatteria Makita.**

Suggerimenti per estendere al massimo la durata complessiva della batteria

1. Ricaricare il pacco della batteria prima che sia del tutto scarico. Se si nota un calo di potenza, cessare sempre l'uso dell'apparecchio e ricaricarne le batterie.
2. Non ricaricare mai delle batterie già completamente cariche. L'eccessiva ricarica può compromettere la durata complessiva delle batterie.
3. Ricaricare le batterie a temperatura ambiente (10°C ~ 40°C). Se calde, lasciarle raffreddare prima di ricaricarle.
4. Ricaricare le batterie se non si intende usarle per lunghi periodi (superiori ai sei mesi).

AUTONOMIA OPERATIVA

* La seguente tabella indica l'autonomia per le singole ricariche.

| Capacità della batteria | Tensione della batteria | | | | | USCITA ALTOPARLANTE = 100mW Unità: Ora (circa) | |
|-------------------------|-------------------------|--------|--------------------|-------------------|-------------------|---|---|
| | 7,2 V | 10,8 V | 10,8 V – 12Vmax | 14,4 V | 18 V | In modalità radio o AUX | In modalità radio con ricarica USB (1,0A) |
| 1,0 Ah | BL7010 | | | | | 5,0 | 0,7 |
| 1,3 Ah | | BL1013 | | | | 7,0 | 0,9 |
| | | | | BL1415 | | 5,5 | 1,7 |
| | | | | | BL1815 | 6,0 | 1,9 |
| 1,5 Ah | BL0715 | | | | | 7,5 | 1,0 |
| | | | BL1015 BL1016 | | | 8,5 | 1,7 |
| | | | | BL1415N | | 7,0 | 2,0 |
| | | | | | BL1815N | 7,5 | 2,0 |
| 2,0 Ah | | | BL1020B BL1021B | | | 11 | 2,0 |
| | | | | | BL1820 BL1820B | 10 | 3,0 |
| 3,0 Ah | | | | BL1430 BL1430B | | 12 | 3,5 |
| | | | | | BL1830 BL1830B | 14 | 4,0 |
| 4,0 Ah | | | BL1040B BL1041B | | | 21 | 4,0 |
| | | | | BL1440 | | 19 | 5,5 |
| | | | | | BL1840 BL1840B | 20 | 6,0 |
| 5,0 Ah | | | | BL1450 | | 23 | 6,5 |
| | | | | | BL1850 BL1850B | 26 | 8,0 |
| 6,0 Ah | | | | BL1460B | | 25 | 7,5 |
| | | | | | BL1860B | 31 | 9,5 |

□ : Pacco batteria ▒ : Batteria a scorrimento

⚠ ATTENZIONE:

Usare solo le cartucce per batteria sopra elencate. L'uso di qualsiasi altra cartuccia per batteria espone l'utente al rischio di incendi e lesioni gravi.

Nota:

La presente tabella relativa all'autonomia delle batterie vale come semplice riferimento. L'autonomia reale può variare a seconda del tipo di batteria, delle condizioni di ricarica e dell'ambiente operativo.

INSTALLAZIONE ED ALIMENTAZIONE

⚠ PERICOLO:

- Fare attenzione a non pizzicarsi le dita quando si apre e richiude lo sportello del vano batteria.
- Dopo aver installato o rimosso il pacco batteria, rimettere il pannello del vano batteria nella sua posizione originale, o il pacco batteria potrebbe accidentalmente fuoriuscire dalla radio, con possibile rischio di danni a cose e persone.
- Richiudere sempre e bloccare il pannello del vano batteria prima di spostare la radio.
- Spegnerne sempre la radio prima di installare o rimuovere il pacco batteria.
- Non esporre la radio ad urti e cadute. Se rotto o spezzato, il materiale dell'involucro del prodotto potrebbe causare ferite all'utente. Se danneggiata, la radio potrebbe esibire un comportamento anormale e imprevedibile, con rischio di incendio, esplosione e lesioni personali.

IMPORTANTE:

- Riduzioni di potenza, distorsioni, suono spezzettato o la scritta "POWERFAIL" sul quadrante, sono segni indicanti la necessità di sostituire il pacco batteria.
- Il pacco batteria non può essere ricaricato usando il l'adattatore AC incluso nella confezione.
- Il pacco batteria non è incluso come accessorio standard.

Inserimento o rimozione della batteria a scorrimento (Fig. 2 e 3)

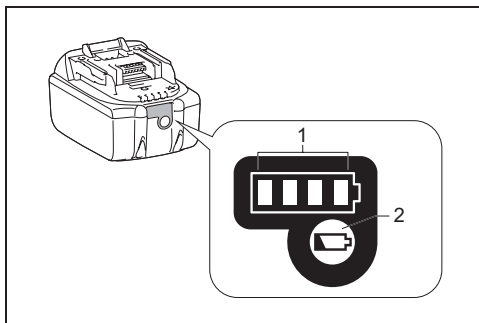
1. Per inserire la batteria, allineare la linguetta sulla batteria con la scanalatura nell'alloggiamento e farla scorrere in posizione. Inserire a fondo la batteria fino a bloccarla in posizione con uno scatto.
2. Se l'indicatore rosso sul lato superiore del tasto rimane visibile, la batteria non è stata bene inserita. Installarla del tutto, fino alla scomparsa dell'indicatore rosso, o la batteria potrebbe accidentalmente fuoriuscire dalla radio, esponendo l'utente e i terzi al rischio di lesioni.
3. Non forzare l'inserimento della batteria. Se la batteria non dovesse scorrere agevolmente, significa che non la si sta inserendo correttamente.
4. Per rimuovere il pacco batteria, estrarlo dalla radio mentre si fa scorrere il tasto sul davanti del pacco.

Inserimento o rimozione della batteria cluster (Fig. 4 e 5)

1. Inserire la batteria allineandone la linguetta alla scanalatura nel vano, e quindi farla scorrere in posizione.
2. Per rimuovere la batteria estrarla dal terminale mentre si tengono premuti i pulsanti sul lato della batteria stessa.

Indicazione della capacità residua della batteria

* Solo per modelli di batteria il cui codice termina in "B".



➤ 1. Indicatore luminoso 2. Tasto di controllo

Premere il tasto di controllo sulla batteria per visualizzarne il livello residuo accendendo per qualche secondo gli indicatori.

• Batterie 14,4~18V

| Indicatore luminoso | | | Livello residuo |
|---------------------|--------|--------------|------------------------------|
| Acceso | Spento | Lampeggiante | |
| ■ | □ | ◐ | 75% ~ 100% |
| ■ | ■ | □ | 50% ~ 75% |
| ■ | □ | □ | 25% ~ 50% |
| ■ | □ | □ | 0% ~ 25% |
| ◐ | □ | □ | Ricaricare le batterie |
| ■ | □ | □ | Batterie in possibile avaria |
| □ | □ | ■ | |

● Batterie 10,8~12V massimo

| Indicatore luminoso | | | Livello residuo |
|---------------------|--------|--------------|-----------------|
| Acceso | Spento | Lampeggiante | |
| | | | |
| | | | 75% ~ 100% |
| | | | 50% ~ 75% |
| | | | 25% ~ 50% |
| | | | 0% ~ 25% |

NOTA:

Il valore indicato potrebbe variare leggermente dalla capacità effettiva, a seconda delle condizioni d'uso e della temperatura ambientale.

Utilizzo dell'antenna morbida (Fig. 1)

Posizionare in verticale lo stelo dell'antenna morbida, come mostrato nella figura.

USO DELL'ADATTATORE AC INCLUSO

Rimuovere la protezione in gomma ed inserire la spina dell'adattatore nella presa DC posta sul lato destro della radio. Collegare l'adattatore ad una presa elettrica standard. Collegando l'adattatore, il pacco batteria viene automaticamente scollegato.

⚠ ATTENZIONE:

- **Scollegare sempre del tutto l'adattatore AC prima di spostare la radio, per prevenire il rischio di scossa elettrica.**
- **Non tirare o stratonare il cavo dell'adattatore, o la radio potrebbe accidentalmente cadere e danneggiarsi, rischiando di ferire l'utente e i terzi.**

IMPORTANTE:

- L'adattatore collega la radio alla rete elettrica, e deve rimanere sempre accessibile durante l'uso normale.
- Per scollegare the radio, l'adattatore deve essere completamente staccato dalla presa elettrica.
- Usare esclusivamente l'adattatore AC in dotazione con il prodotto o uno specificatamente indicato da Makita.
- Non mettere in bocca il cavo di alimentazione o la spina, o si rischierebbe una scossa elettrica.
- Non toccare la spina con mani umide o unte.
- Un cavo danneggiato o ingarbugliato aumenta il rischio di scossa elettrica. Se il cavo di alimentazione dovesse subire danni, andrà sostituito da un nostro centro di assistenza autorizzato, così da evitare rischi per la sicurezza. Non usare il cavo prima di ripararlo.
- Dopo l'uso, riporre l'adattatore AC al di fuori della portata dei bambini. I bambini non devono giocare con il cavo, o potrebbero farsi male.

Caricare via porta di alimentazione USB

Il dispositivo USB può essere ricaricato tramite la porta USB posta sul pannello frontale della radio.

1. Collegare il dispositivo USB (iPod, lettore MP3 o CD) con un cavo USB disponibile in commercio.
2. Premere il pulsante di accensione per attivare la radio.
3. Che la radio sia alimentata con corrente alternata o a batteria, la ricarica di un dispositivo USB dalla radio è possibile quando la radio è accesa e nelle modalità FM/DAB, BT o AUX (fonte audio esterna).

Nota:

- Il volume massimo dell'altoparlante diminuisce durante una ricarica via USB.
- La presa USB fornisce elettricità con massimo 1A-5V.

Importante:

- Prima di connettere il dispositivo USB alla porta USB, effettuare sempre una copia dei dati contenuti nel dispositivo USB, per evitare che vadano perduti.
- La radio potrebbe non ricaricare alcuni dispositivi USB.
- Quando non è in uso o dopo il caricamento, rimuovere il cavo USB e richiudere il coperchio.
- Non collegare fonti di alimentazione alla porta USB o si rischierebbe un incendio. La porta USB è destinata solo al caricamento di dispositivi a basso voltaggio. Rimettere sempre il gommino sulla porta USB quando non è in uso.
- Non inserire chiodi, cavi, ecc. nella porta USB. Ciò potrebbe causare un cortocircuito, con rischio d'incendio.
- Non collegare la presa USB alla porta USB di un PC, onde evitare il rischio elevato di guasto delle unità.

ASCOLTO DELLA RADIO

Questa radio è dotata di tre modalità di sintonizzazione: ricerca automatica, ricerca manuale e preselezione.

Selezione di una stazione – DAB

1. Premere il pulsante di accensione e attivare la radio.
2. Selezionare la modalità DAB premendo il pulsante Band (banda).
3. Premere il pulsante Advanced (impostazioni avanzate) e ruotare la manopola Volume/Tuning/Select (volume/sintonizzazione/selezione) fino a quando sullo schermo non lampeggia l'indicazione "Station List" (Elenco stazioni). Premere la manopola Volume/Tuning/Select (volume/sintonizzazione/selezione) per accedere all'elenco delle stazioni.
4. Ruotare la manopola Volume/Tuning/Select (volume/sintonizzazione/selezione) per scorrere l'elenco delle stazioni disponibili. Premere la stessa manopola per selezionare la stazione.
5. Regolare il volume sul livello desiderato ruotando la manopola Volume/Tuning/Select (volume/

sintonizzazione/selezione)

Modalità di visualizzazione – DAB

La radio presenta diverse opzioni di visualizzazione in modalità DAB:

Premere il pulsante Info (informazioni) per scorrere le varie opzioni descritte di seguito (lettere da a. a g.).

- | | |
|-----------------------------------|--|
| a. Nome della stazione | Indica il nome della stazione che si sta ascoltando. |
| b. Tipo di programma | Indica il tipo di stazione che si sta ascoltando. Esempi: Pop, Classici, Notizie, ecc. |
| c. Nome multiplex | Indica il nome del multiplex DAB a cui appartiene la stazione corrente. |
| d. Ora e data | Indica data e ora corrente. |
| e. Frequenza e canale | Indica la frequenza e il numero di canale della stazione DAB corrente. |
| f. Velocità in bit/ Tipo di audio | Indica la velocità in bit dell'audio digitale e il tipo di audio per la stazione DAB attualmente sintonizzata. |
| g. Intensità del segnale | Indica l'intensità del segnale per la stazione DAB attualmente sintonizzata. |

Ricerca di nuove stazioni – DAB

Di tanto in tanto potrebbero essere disponibili nuove stazioni radio DAB, o la radio potrebbe essere usata in una zona diversa. In tal caso potrebbe essere necessario attivare la radio per eseguire la ricerca di nuove stazioni. Per consentire alla radio di trovare le stazioni disponibili, si consiglia di eseguire una scansione completa di tutte le frequenze DAB Banda III.

1. Premere il tasto Auto Tune (ricerca automatica).
2. La radio eseguirà una ricerca completa sulle frequenze DAB, aggiungendo le stazioni rilevate all'elenco finale. Il contatore sulla sinistra del quadrante mostra il numero di stazioni aggiunte.

Ricerca manuale – DAB

La ricerca manuale consente di sintonizzare la radio su una particolare frequenza DAB in Banda III. Questa funzione serve anche a coadiuvare il posizionamento dell'antenna o della radio in modo da ottimizzare la ricezione di uno specifico canale o frequenza.

1. Premere il pulsante Advanced (impostazioni avanzate) e ruotare la manopola Volume/Tuning/Select (volume/sintonizzazione/selezione) fino a quando sul quadrante non si legga "Manual Tune" (ricerca manuale). Premere la manopola Volume/Tuning/Select (volume/sintonizzazione/selezione) per passare alla modalità di ricerca manuale.
2. Ruotare la manopola Volume/Tuning/Select (volume/

sintonizzazione/selezione) per selezionare il canale DAB desiderato. Premere la manopola Volume/Tuning/Select (volume/sintonizzazione/selezione) per confermare la frequenza selezionata.

Configurare l'ordine delle stazioni – DAB

La radio permette di catalogare le stazioni nei seguenti tre differenti ordini: alfanumerico, ensemble e stazione valida.

1. Premere il tasto Advanced (impostazioni avanzate).
2. Ruotare la manopola Volume/Tuning/Select (volume/sintonizzazione/selezione) fino a quando sul quadrante non si legga "Station order" (Ordine stazioni), quindi premere la manopola Volume/Tuning/Select (volume/sintonizzazione/selezione) per accedere.
3. Ruotare la manopola Volume/Tuning/Select (volume/sintonizzazione/selezione) per selezionare una tra le seguenti opzioni, e premerla per confermare.

| | |
|-----------------|---|
| Alfanumerico | Le stazioni vengono elencate in ordine alfanumerico (0~9 A~Z). |
| Ensemble | L'elenco delle stazioni viene organizzato per multiplex DAB. |
| Stazioni valide | Visualizza soltanto le stazioni con segnale sufficientemente potente. |

Funzione DRC (Dynamic Range Control) – DAB

La funzione DRC (Dynamic Range Control) facilita l'ascolto dei suoni a basso volume quando la radio viene utilizzata in ambienti rumorosi, riducendo la gamma dinamica del segnale audio. Sono disponibili tre livelli di compressione:

| | |
|---------|-----------------------|
| DRC 0 | Nessuna compressione. |
| DRC 1/2 | Compressione media. |
| DRC 1 | Compressione massima. |

1. Premere il pulsante di accensione e attivare la radio.
2. Premere il pulsante Band (banda) per selezionare la banda DAB.
3. Premere il pulsante Advanced (impostazioni avanzate) e ruotare la manopola Volume/Tuning/Select (volume/sintonizzazione/selezione) fino a quando sul quadrante non si legga "DRC Value" (valore DRC). Premere quindi la manopola Volume/Tuning/Select (volume/sintonizzazione/selezione) per accedere. Sul quadrante apparirà il valore DRC corrente.
4. Ruotare la manopola Volume/Tuning/Select (volume/sintonizzazione/selezione) per selezionare l'impostazione DRC desiderata.
5. Premere la manopola Volume/Tuning/Select (volume/sintonizzazione/selezione) per confermare.

Ricerca automatica – FM

1. Premere il pulsante di accensione e attivare la radio.
2. Selezionare la banda di frequenza desiderata con il pulsante Band (banda). Per una migliore ricezione in FM, assicurarsi che l'antenna a stelo morbida sia

- posizionata correttamente. Evitare di utilizzare la radio accanto allo schermo di un computer o ad altri apparecchi che potrebbero causare interferenze.
3. Premere il pulsante Auto Tune (ricerca automatica) per sintonizzarsi automaticamente sulla prima stazione radio rilevabile. La radio proseguirà in questo modo la ricerca fino alla pressione del tasto Auto Tune (ricerca automatica).
 4. Ruotare la manopola Volume/Tuning/Select (volume/sintonizzazione/selezione) per impostare il volume desiderato per l'audio. Il quadrante LCD indicherà le modifiche al volume.
 5. Per spegnere la radio, "premere il tasto di accensione.

Zona di ricerca FM

In modalità FM, la radio può essere impostata per la ricerca o delle stazioni locali o di tutte le stazioni, comprese le più distanti.

1. Premere il pulsante di accensione e attivare la radio.
2. Selezionare la banda FM con il tasto Band (banda).
3. Premere il tasto Advanced Settings (impostazioni avanzate) e ruotare la manopola Volume/Tuning/Select (volume/sintonizzazione/selezione) finché sul quadrante non appaia "FM Scan Zone" (zona di ricerca FM). Premere la manopola Volume/Tuning/Select (volume/sintonizzazione/selezione) per accedere.
4. Ruotare la manopola Volume/Tuning/Select (volume/sintonizzazione/selezione) e scegliere tra le opzioni "Locale" (solo stazioni con segnale potente) e "Distante" (qualsiasi stazione) offerte in basso sul quadrante. Selezionando l'opzione "Distante" la radio considererà anche le stazioni con segnale più debole.
5. Premere la manopola Volume/Tuning/Select (volume/sintonizzazione/selezione) per confermare la propria selezione. Le impostazioni saranno salvate ed usate per istruire le ricerche della stazioni, fin quando modificate o nel caso di un ripristino del sistema.

Sintonizzazione manuale – FM

1. Premere il pulsante di accensione e attivare la radio.
2. Premere il pulsante Band (banda) per selezionare la banda di frequenza desiderata. Regolare l'antenna come precedentemente descritto.
3. Ruotare la manopola Volume/Tuning/Select (volume/sintonizzazione/selezione) per cambiare la frequenza con i seguenti incrementi: FM: 50 kHz

Nota:

Per trovare una stazione usando la manopola Volume/Tuning/Select (volume/sintonizzazione/selezione), premere la manopola stessa per passare alla modalità di controllo della sintonizzazione.

4. Continuare a ruotare la manopola Volume/Tuning/Select (volume/sintonizzazione/selezione) finché sul quadrante non appaia la frequenza desiderata.

5. Ruotare la manopola Volume/Tuning/Select (volume/sintonizzazione/selezione) per impostare il volume audio sul livello desiderato.
6. Per spegnere la radio, premere il pulsante di accensione.

Modalità di visualizzazione – FM (RDS)

La radio presenta diverse opzioni di visualizzazione per la modalità FM:

Premere più volte il tasto Info per visualizzare le seguenti informazioni RDS (Radio Data System) pertinenti alla stazione corrente.

- | | |
|-----------------------|---|
| a. Stazione programma | Indica il nome della stazione che si sta correntemente ascoltando. |
| b. Frequenza | Indica la frequenza del segnale FM. |
| c. Testo della radio | Mostra i messaggi di testo della radio (es. nuove proposte, ecc.). |
| d. Tipo di programma | Indica il tipo di stazione che si sta ascoltando (ad esempio Pop, Classics, News, ecc.) |
| e. Ora e data | Indica la data e ora corrente. |

Preselezione delle stazioni (DAB e FM)

Sono disponibili 5 memorie di preselezione per ogni banda.

1. Premere il pulsante di accensione e accendere la radio.
2. Sintonizzarsi sulla stazione desiderata utilizzando uno dei metodi sopra descritti.
3. Tenere premuto il pulsante Preset (preselezione) fino a leggere sul quadrante il numero di preselezione desiderato, ad esempio "P2 Saved" (P2 salvato). La stazione viene quindi salvata ed abbinata al numero di preselezione scelto.
4. Ripetere la procedura per le rimanenti preselezioni.
5. Le stazioni salvate nelle memorie di preselezione possono essere sovrascritte attenendosi alle procedure sopra descritte.

Richiamare una stazione in preselezione (DAB e FM)

1. Premere il pulsante di accensione e accendere la radio.
2. Premere il pulsante Band (banda) per selezionare la banda di frequenza desiderata.
3. Premere brevemente il pulsante Preset (preselezione), e sul quadrante apparirà il numero della preselezione con la stazione abbinata.

ASCOLTO DI MUSICA IN STREAMING BLUETOOTH

Per riprodurre brani musicali con la radio via Bluetooth, si

dovrà prima sincronizzare il proprio dispositivo Bluetooth con la radio stessa, in modo che i due dispositivi possano riconoscersi l'un l'altro.

Nota:

Per una migliore qualità audio, si consiglia di regolare il volume del proprio dispositivo ad almeno due terzi del massimo, e quindi di regolare il volume della radio sul livello desiderato.

SINCRONIZZARE UN NUOVO DISPOSITIVO BLUETOOTH

1. Premere il tasto di accensione e attivare la radio. Premere il tasto Band (banda) per selezionare la modalità Bluetooth. L'indicatore Bluetooth sui tasti della preselezione lampeggerà in blu a conferma che la radio è rilevabile.
2. Attivare Bluetooth sul proprio dispositivo secondo le istruzioni per collegare la radio contenute nel manuale. Nella lista dei dispositivi Bluetooth rilevati selezionare "DMR112". Alcuni dispositivi, dotati di una versione precedente alla BT2.1, richiedono di inserire la password "0000".
3. Un segnale acustico e l'indicatore Bluetooth sui tasti della preselezione con luce blu fissa confermeranno l'avvenuta connessione. Basterà ora selezionare un brano dal proprio dispositivo per riprodurlo. Il volume può essere regolato dal proprio dispositivo o direttamente dalla radio.
4. Usare i controlli del dispositivo Bluetooth esterno o quelli della radio per avviare la riproduzione, metterla in pausa e navigare i brani.

Nota:

1. Sincronizzando per la prima volta due dispositivi Bluetooth, entrambi riporteranno la radio nell'elenco dei dispositivi rilevati. Tuttavia, collegando uno dei dispositivi, la radio sparirà dall'elenco dell'altro.
2. Se un dispositivo viene temporaneamente scollegato dalla radio, si dovrà ricollegarlo manualmente.
3. Nel caso l'apparecchio DMR112 appaia nell'elenco dei dispositivi Bluetooth rilevati, ma sia impossibile stabilire la connessione con esso, cancellarlo dall'elenco e ripetere la sincronizzazione seguendo le istruzioni precedenti.
4. Il raggio d'azione ottimale di Bluetooth è di circa 10 metri senza ostacoli, ma può raggiungere i 30 metri.
5. Nel caso la connessione Bluetooth venga interrotta a causa dell'eccessivo tempo di separazione, della troppa distanza, della presenza di ostacoli o altro, potrebbe essere necessario ripetere la connessione.
6. La qualità della connessione può dipendere dalla presenza di ostacoli fisici, dispositivi Wi-Fi e dispositivi elettromagnetici.
7. Le prestazioni della connessione Bluetooth possono variare a seconda dei dispositivi connessi. Fare

riferimento alle capacità Bluetooth del dispositivo esterno prima di collegarlo alla radio. Non è possibile garantire il supporto di tutte le funzioni su alcuni dispositivi Bluetooth sincronizzati.

Riproduzione di file audio in modalità Bluetooth

Una volta completata la connessione tra la radio e il dispositivo Bluetooth esterno, sarà possibile usare i controlli di quest'ultimo per avviare l'ascolto.

1. Una volta avviato l'ascolto, regolare il volume dalla radio o del dispositivo Bluetooth esterno.
2. Usare i controlli del dispositivo esterno per avviare, mettere in pausa e navigare i brani.

Nota:

1. Non tutte le applicazioni e i dispositivi rispondono a questi controlli.
2. Alcuni cellulari potrebbero disconnettersi temporaneamente dalla radio per ricevere o effettuare una chiamata. Alcuni dispositivi potrebbero interrompere temporaneamente il loro segnale audio Bluetooth al ricevimento di messaggi di testo, email o per altre ragioni non relative al segnale audio. Ciò è dovuto a una funzione del dispositivo esterno, e non ad un'avaria della radio.

COLLEGAMENTO BLUETOOTH CON DISPOSITIVI NOTI

La radio può memorizzare fino a otto dispositivi a cui sincronizzarsi. Ogni dispositivo in eccesso della memoria sarà sovrascritto sul dispositivo meno recente. Se si è già sincronizzata la radio con un dispositivo Bluetooth esterno, la sincronizzazione sarà automatica. Nel caso l'ultimo dispositivo connesso non sia disponibile, la radio apparirà nell'elenco dei dispositivi rilevati.

Scollegare il Dispositivo Bluetooth Esterno

Per disconnettere un dispositivo Bluetooth, tenere premuto per 2~3 secondi il tasto di sincronizzazione Bluetooth. L'indicatore Bluetooth sui tasti della preselezione lampeggerà in blu, a confermare che la connessione è stata interrotta e che la radio è ora nuovamente rilevabile.

INGRESSI AUSILIARI

Sono disponibili due ingressi ausiliari da 3,5mm. "AUX IN 1" si trova sul pannello anteriore della radio, "AUX IN 2" si trova nel vano batteria.

1. Collegare una fonte audio esterna (es. iPod, lettore MP3 o CD) ad un ingresso ausiliario usando l'apposito cavo audio.
2. Premere e rilasciare più volte il tasto Band (banda) fino a leggere "AUX IN 1" o "AUX IN 2" sul quadrante, e la funzione AUX sarà così attivata.

3. Per ottimizzare la qualità audio, si imposti il volume del dispositivo esterno sopra i 2/3 del livello massimo, per poi regolarlo direttamente dalla radio.

NOTA:

Il cavo audio non è incluso come accessorio standard.

ALTRE IMPOSTAZIONI

Opzioni per la lingua

Sono disponibili otto lingue per la radio:

inglese, tedesco, italiano, francese, olandese, danese, norvegese e spagnolo.

1. Premere il pulsante Advanced (impostazioni avanzate).
2. Ruotare la manopola Volume/Tuning/Select (volume/sintonizzazione/selezione) finché sul quadrante non si legga "Language" (lingua). Premere la manopola Volume/Tuning/Select (volume/sintonizzazione/selezione) per accedere.
3. Ruotare la manopola Volume/Tuning/Select (volume/sintonizzazione/selezione) per scegliere la lingua desiderata. Premere la manopola Volume/Tuning/Select (volume/sintonizzazione/selezione) per confermare l'impostazione.

Controllo della luminosità

La luce dei tasti è regolabile.

1. Premere il pulsante Advanced (impostazioni avanzate).
2. Ruotare la manopola Volume/Tuning/Select (volume/sintonizzazione/selezione) fino a leggere "Button Light" (luce tasti) sul quadrante. Premere la manopola Volume/Tuning/Select (volume/sintonizzazione/selezione) per accedere.
3. Ruotare la manopola Volume/Tuning/Select (volume/sintonizzazione/selezione) per scegliere se attivare (ON) o disattivare (OFF) la luce dei tasti, quindi premere la manopola stessa per confermare.

Ripristino del sistema

Se la radio non dovesse funzionare correttamente, oppure se alcune cifre sul quadrante dovessero mancare o essere incomplete, è possibile provare a eseguire la seguente procedura.

1. Premere il pulsante Advanced (impostazioni avanzate).
2. Ruotare la manopola Volume/Tuning/Select (volume/sintonizzazione/selezione) finché sul quadrante non si legga "Factory Reset" (ripristino impostazioni di fabbrica). Premere la manopola Volume/Tuning/Select (volume/sintonizzazione/selezione) per accedere all'impostazione.
3. Ruotare la manopola Volume/Tuning/Select (volume/sintonizzazione/selezione) per scegliere "Yes" (sì). Premere la manopola Volume/Tuning/Select (volume/sintonizzazione/selezione) per confermare l'impostazione ed eseguire un ripristino completo.

Versione del software

1. Premere il pulsante Advanced (impostazioni avanzate).
2. Ruotare la manopola Volume/Tuning/Select (volume/sintonizzazione/selezione) finché sul quadrante non appaia "SW Version" (versione software). Premere la manopola Volume/Tuning/Select (volume/sintonizzazione/selezione) per visualizzare la versione del software installato nella radio.

Porta Micro-USB per aggiornamento software

In futuro potrebbero essere disponibili degli aggiornamenti del software per la radio.

Gli aggiornamenti del software disponibili sono reperibili nel **sito Internet di Makita** insieme alle informazioni su come aggiornare la radio.

MANUTENZIONE

ATTENZIONE:

Evitare assolutamente l'uso di benzine, diluenti, solventi, alcol o sostanze simili. In caso contrario, potrebbero verificarsi scoloriture, deformazioni e incrinature.

SPECIFICHE TECNICHE

| Alimentazione | |
|------------------------|--|
| Adattatore AC | DC 12 V 1,2A, ago centrale positivo |
| Batteria | Pacco batteria: 7,2~10,8 V Batteria a scorrimento: 10,8~18V |
| Frequenza radio | FM 87.50 - 108 MHz DAB/DAB+ 174,928-239,200 MHz |
| Blocco canali DAB/DAB+ | DAB (Band III) 5A-13F |
| Standard compatibile | DAB/DAB+ |

| Bluetooth® (Il marchio Bluetooth® e il relativi logo sono proprietà registrata di Bluetooth SIG, Inc.) | |
|--|--|
| Versione Bluetooth | 4,0 |
| Profili Bluetooth | A2DP/SCMS-T |
| Potenza trasmissione | Classe di Potenza 2 |
| Raggio trasmissione | Ottimale: Max.10 metri Possibile: Max. 30 metri (varia a seconda delle condizioni) |
| Codec supportati | SBC,AAC |
| Profilo Bluetooth compatibile | A2DP |
| Potenza massima in radio-frequenza: | BT EDR: 3,12dBm BT LE: 2,31dBm |
| Frequenze Operative | 2402MHz~2480MHz |

| Circuito | |
|-----------------------|---|
| Altoparlante | 3,5 pollici 32 ohm x 2 |
| Potenza in uscita | 7,2 V: 0,6Wx2 12V max: 1,7Wx2 14,4V: 3Wx2 18 V: 4,9Wx2 |
| Terminale di ingresso | 3,5 mm (AUX IN 1/AUX IN 2) |
| Sistema antenna | DAB/FM: antenna morbida a stelo |
| Dimensioni (LxPxA) | 282x163x294mm |
| Peso | 4,3KG (senza batterie) |

NEDERLANDS (Originele instructies)

UITLEG ALGEMEEN OVERZICHT (Fig. 1~5)

1. Flexibele staafantenne
2. Vergrendeling accuvak
3. Handgreep
4. Deksel Accuvak
(denkt accu-cartridge af)
5. DC-ingang
6. Luidspreker
7. Aan-uitknop
8. Band-knop
9. Advanced-instelknop
10. Info-knop
11. Voorkeuzender 2-5
12. Auto tune-knop
13. Volumeknop/Afstemknop/Keuzeknop
14. USB-voedingspoort
15. AUX-ingang 1
16. Voorkeuzender 1/Bluetooth-koppelknop
17. LCD-display
18. Ingangsaansluiting (AUX-ingang 2)
19. Accuvak
20. Micro-USB-poort voor software-upgrade
21. Accu-cartridge

SYMBOLEN

Hieronder worden de symbolen getoond die worden gebruikt voor de apparatuur. Zorg ervoor dat u de betekenis van de symbolen begrijpt voordat u het apparaat gebruikt.



Lees de handleiding.



Alleen voor EU-landen
Gooi elektrische apparatuur of accu's niet weg met het huisvuil!
Volgens Europese richtlijnen inzake afgedankte elektrische en elektronische apparaten, batterijen, accu's en wegwerpbatterijen en de toepassing daarvan binnen de nationale wetgeving, dienen gebruikte elektrische apparaten en accu's die het einde van hun levensduur hebben bereikt, gescheiden te worden ingezameld en te worden teruggebracht naar een recyclebedrijf dat voldoet aan de geldende milieueisen.

BELANGRIJKE VEILIGHEIDSINSTRUCTIES

⚠ WAARSCHUWING:

Bij het gebruik van elektrisch gereedschap moeten altijd elementaire veiligheidsmaatregelen worden gevolgd, om het risico op brand, elektrische schokken en persoonlijk letsel te beperken, waaronder de volgende:

1. Lees deze handleiding en de handleiding van de oplader vóór gebruik zorgvuldig door.
2. Alleen reinigen met een droge doek.
3. Niet installeren in de buurt van warmtebronnen, zoals radiatoren, kachels of andere apparaten (inclusief versterkers) die warmte produceren.
4. Gebruik alleen accessoires/hulpstukken die door de fabrikant zijn gespecificeerd.
5. Haal de stekker van het apparaat uit het stopcontact tijdens onweer of als het apparaat voor lange tijd niet wordt gebruikt.
6. Een radio op batterijen met inwendige batterijen of een losse accu mag alleen worden opgeladen met de aanbevolen batterij-/acculader. Een acculader die geschikt is voor een bepaald type accu, kan brandgevaar opleveren indien gebruikt met een ander type accu.
7. Gebruik de radio op batterijen uitsluitend met de specifiek daarvoor bedoelde accu's. Door een ander type accu's te gebruiken, kan brandgevaar ontstaan.
8. Als de accu niet wordt gebruikt, houd deze dan uit de buurt van andere metalen voorwerpen zoals: paperclips, muntjes, sleutels, spijkers, schroeven of andere kleine metalen objecten die contactpunten van de accu kunnen verbinden. Het kortsluiten van de accupolen kan leiden tot vonken, brandwonden of brand.
9. Vermijd lichamelijk contact met geaarde oppervlakken zoals leidingen, radiatoren en koelkasten. Er bestaat een verhoogd risico op elektrische schokken als uw lichaam geaard is.
10. Bij verkeerd gebruik kan vloeistof vrijkomen uit de accu; vermijd contact. Als u per ongeluk in contact komt met deze vloeistof, spoel dan met water. Als er vloeistof in contact komt met de ogen, raadpleeg dan bovendien een arts. Vloeistof die vrijkomt uit de accu kan irritatie of brandwonden veroorzaken.
11. Gebruik geen accu's of gereedschap dat beschadigd of gewijzigd is. Beschadigde of aangepaste accu's kunnen onvoorspelbaar gedrag vertonen, wat kan leiden tot brand, explosies of letsel.
12. Stel accu's of gereedschap niet bloot aan vuur of extreme temperaturen. Blootstelling aan vuur of temperaturen boven 130 °C kan een explosie veroorzaken.
13. Volg alle instructies m.b.t. het opladen op en laad de accu of het gereedschap nooit op buiten het in de handleiding aangegeven temperatuurbereik. Foutief opladen of opladen bij temperaturen buiten het

- toegestane temperatuurbereik kan leiden tot schade aan de accu en de kans op brand verhogen.
- De stekker wordt gebruikt om het apparaat los te koppelen van het lichtnet en moet altijd eenvoudig bereikbaar blijven.
 - Gebruik het product niet gedurende een lange periode op een hoog volume. Gebruik het product op een gematigd volumeniveau.
 - (Alleen voor producten met LCD-display) LCD-displays bevatten vloeistof die irritatie en vergiftiging kan veroorzaken. Als de vloeistof in of op de ogen, mond of huid komt, spoel dan met water en raadpleeg een arts.
 - Stel het product niet bloot aan regen of vochtige omstandigheden. Als er water in het product komt, verhoogt dit de kans op elektrische schokken.
 - Dit product is niet bedoeld voor gebruik door personen (inclusief kinderen) met verminderde lichamelijke, zintuiglijke of mentale vermogens of personen die geen ervaring en/of kennis hebben m.b.t. het apparaat, tenzij zij onder toezicht staan van een voor hun veiligheid verantwoordelijke persoon of instructies m.b.t. het gebruik van het apparaat hebben ontvangen. Houd toezicht op kinderen om ervoor te zorgen dat ze niet met het product spelen. Bewaar het product buiten het bereik van kinderen.

BEWAAR DEZE INSTRUCTIES

SPECIFIEKE VEILIGHEIDSVOORSCHRIFTEN

VOOR ACCU

- Lees, voordat u de accu gebruikt, alle instructies en waarschuwingen op de (1) acculader, de (2) accu en het (3) product dat gebruik maakt van de accu.
- Demonteer de accu niet.
- Als de gebruiksduur extreem veel korter is geworden, stop het gebruik dan onmiddellijk. Dit kan leiden tot een risico op oververhitting, mogelijke brandwonden en zelfs een explosie.
- Als er elektrolyt in uw ogen komt, spoel ze dan met schoon water en raadpleeg onmiddellijk een arts. Het kan leiden tot het verlies van uw gezichtsvermogen.
- Sluit de accu niet kort:
 - Raak de contactpunten niet aan met geleidende materialen.
 - Bewaar de accu niet in een doos met andere metalen voorwerpen, zoals spijkers, muntjes, etc.
 - Stel de accu niet bloot aan water of regen. Kortsluiting van de accu kan leiden tot een grote stroomafgifte, oververhitting, mogelijke brandwonden en zelfs een defect.
- Bewaar het gereedschap en de accu niet op plaatsen waar de temperatuur kan oplopen tot of hoger kan zijn

- dan 50 °C(122°F)
- Verbrand de accu niet, zelfs als de accu ernstig beschadigd of volledig versleten is. De accu kan exploderen in vuur.
- Wees voorzichtig en laat de accu niet vallen of stoot niet te hard tegen de accu.
- Maak geen gebruik van beschadigde accu's.
- Om risico's te voorkomen, moet de handleiding omtrent het vervangen van de accu worden gelezen vóór gebruik. En de maximale stroomontlading van de accu moet groter dan of gelijk aan 8A zijn.
- De meegeleverde lithium-ion-accu's zijn onderhevig aan de vereisten in de wetgeving omtrent gevaarlijke stoffen. Voor commercieel transport, bijv. door derden en transporteurs moeten speciale vereisten ten aanzien van verpakking en etikettering worden nageleefd. Voor het voorbereiden van het te verzenden artikel is het noodzakelijk een expert op het gebied van gevaarlijke stoffen te raadplegen. U moet zich daarnaast aan eventueel strengere nationale regelgeving houden. Blootliggende contactpunten moeten worden afgedekt met tape en de accu moet zodanig worden verpakt dat deze niet kan bewegen in de verpakking.
- Volg de plaatselijke regelgeving met betrekking tot de verwijdering van accu's.
- Gebruik de accu alleen in combinatie met de door Makita gespecificeerde producten. Als de accu wordt geïnstalleerd in een niet-conform product, kan dit leiden tot brand, extreme warmte, een explosie of het lekken van elektrolyt.

⚠ LET OP:

- **Ontploffingsgevaar als de accu onjuist wordt vervangen.**
- **Alleen vervangen door accu van hetzelfde of soortgelijk type.**
- **Gebruik alleen originele accu's van Makita. Het gebruik van niet-originele accu's of accu's die zijn aangepast kan ertoe leiden dat de accu barst en brand, lichamelijk letsel of schade veroorzaakt. Het zal er bovendien toe leiden dat de garantie van Makita op het gereedschap en op oplader vervalt.**

Tips voor het behoud van een maximale levensduur van de accu

- Laad de accu op voordat deze volledig is ontladen. Stop altijd het gebruik van het gereedschap en laad de accu op als u merkt dat er minder vermogen is.
- Laad nooit een volledig opgeladen accu op. Overladen verkort de levensduur van de accu.
- Laad de accu op bij een kamertemperatuur van 10 °C - 40 °C (50 °F - 104 °F). Laat een warme accu afkoelen alvorens hem op te laden.
- Laad de accu op als u deze niet gebruikt voor een lange periode (meer dan zes maanden).

BEDRIJFSTIJD

* De volgende tabel geeft een indicatie van de gebruiksduur op een enkele lading.

| Accucapaciteit | Accuspanning | | | | | BIJ LUIDSPREKERVERMOGEN = 100mW Eenheid: Uur (bij benadering) | |
|----------------|--------------|--------|--------------------|-------------------|-------------------|--|-------------------------------------|
| | 7.2 V | 10.8 V | 10.8 V – 12Vmax | 14.4 V | 18 V | In radio of AUX | In radio met USB- opladen (1.0A) |
| 1.0 Ah | BL7010 | | | | | 5.0 | 0.7 |
| 1.3 Ah | | BL1013 | | | | 7.0 | 0.9 |
| | | | | BL1415 | | 5.5 | 1.7 |
| | | | | | BL1815 | 6.0 | 1.9 |
| 1.5 Ah | BL0715 | | | | | 7.5 | 1.0 |
| | | | BL1015 BL1016 | | | 8.5 | 1.7 |
| | | | | BL1415N | | 7.0 | 2.0 |
| | | | | | BL1815N | 7.5 | 2.0 |
| 2.0 Ah | | | BL1020B BL1021B | | | 11 | 2.0 |
| | | | | | BL1820 BL1820B | 10 | 3.0 |
| 3.0 Ah | | | | BL1430 BL1430B | | 12 | 3.5 |
| | | | | | BL1830 BL1830B | 14 | 4.0 |
| 4.0 Ah | | | BL1040B BL1041B | | | 21 | 4.0 |
| | | | | BL1440 | | 19 | 5.5 |
| | | | | | BL1840 BL1840B | 20 | 6.0 |
| 5.0 Ah | | | | BL1450 | | 23 | 6.5 |
| | | | | | BL1850 BL1850B | 26 | 8.0 |
| 6.0 Ah | | | | BL1460B | | 25 | 7.5 |
| | | | | | BL1860B | 31 | 9.5 |

 : Blokaccu  : Schuifaccu

WAARSCHUWING:

Gebruik alleen de hierboven vermelde accu-cartridges. Gebruik van andere accu-cartridges kan leiden tot letsel en/of brand.

Opmerking:

De tabel betreffende gebruiksduur hierboven dient ter referentie. De werkelijke gebruiksduur kan variëren, afhankelijk van het soort accu, de oplaadomstandigheden en de gebruiksomgeving.

INSTALLATIE EN VOEDING

⚠ LET OP:

- Pas op dat uw vingers niet bekneld raken bij het openen en sluiten van het accudeksel.
- Plaats de vergrendeling van het accuvak terug in de oorspronkelijke stand na het installeren of verwijderen van de accu-cartridge. Als u dit niet doet, kan de accu-cartridge per ongeluk uit de radio vallen en letsel veroorzaken bij u of anderen in uw omgeving.
- Sluit en vergrendel het de vergrendeling van het accuvak altijd voordat u de radio verplaatst.
- Schakel de radio altijd uit voordat u de accu-cartridge plaatst of verwijdert.
- Wees voorzichtig en zorg ervoor dat u de radio niet per ongeluk laat vallen of een klap geeft. Een kapotte behuizing kan in uw vinger of lichaam snijden. Een beschadigde radio kan onvoorspelbaar gedrag vertonen en leiden tot brand, explosies en letselgevaar.

BELANGRIJK:

- Vermindert vermogen, vervorming, "stotterend geluid" en de melding "POWERFAIL" die verschijnt op het display zijn allemaal tekenen dat de hoofdacu moet worden vervangen.
- De accu-cartridge kan niet worden opgeladen met de meegeleverde netadapter.
- De accu-cartridge wordt niet meegeleverd als standaardaccessoire.

De schuifaccu aanbrengen en verwijderen (Fig. 2 en 3)

1. Om de accu aan te brengen, lijnt u de lip op de accu uit met de groef in de behuizing en duwt u de accu op zijn plaats. Steek de accu zo ver mogelijk in het gereedschap tot u een klikgeluid hoort.
2. Als u het rode deel aan de bovenkant van de knop kunt zien, is de accu niet goed aangebracht. Breng de accu zo ver mogelijk aan tot het rode deel niet meer zichtbaar is. Als u dit niet doet, kan de accu per ongeluk uit de radio vallen en letsel veroorzaken bij u of anderen in uw omgeving.
3. Oefen geen grote kracht uit bij het aanbrengen van de accu. Als de accu niet gemakkelijk erin kan worden geschoven, wordt deze niet goed aangebracht.
4. U kunt de accu-cartridge verwijderen door deze uit de radio te schuiven terwijl u de knop aan de voorkant van de cartridge indrukt.

De blokaccu aanbrengen en verwijderen (Fig. 4 en 5)

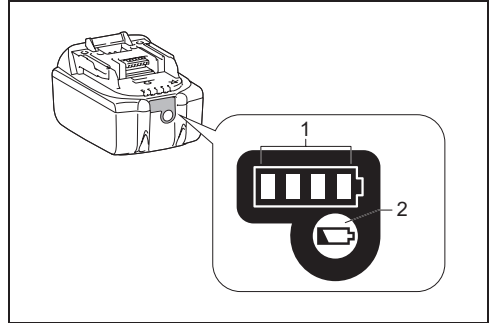
1. Om de accu aan te brengen, lijnt u de lip op de accu uit met de groef in de behuizing en duwt u de accu op zijn

plaats.

2. Om de accu te verwijderen, haalt u de accu uit de aansluiting terwijl u de knoppen op de zijkant van de accu ingedrukt houdt.

Aanduiding van de resterende acculading

- * Alleen voor accu's met een "B" aan het einde van het modelnummer.



➤ 1. Indicatorlampjes 2. Controleknop

Druk op de testknop op de accu om de resterende accucapaciteit af te lezen. De indicatorlampjes branden gedurende enkele seconden.

- 14.4V/18V-accu's

| Indicatorlampjes | | | Resterende capaciteit |
|------------------|-----|----------|---|
| Opgelicht | Uit | Knippert | |
| ■ ■ ■ ■ | | | 75% ~ 100% |
| ■ ■ ■ □ | | | 50% ~ 75% |
| ■ ■ □ □ | | | 25% ~ 50% |
| ■ □ □ □ | | | 0% ~ 25% |
| ▣ □ □ □ | | | Laad de accu op |
| ■ ■ □ □ | ↑ ↓ | ■ ■ | Er heeft mogelijk een storing opgetreden in de accu |

- **10.8V-12V max accu's**

| Indicatorlampjes | | | Resterende capaciteit |
|------------------|-----|----------|-----------------------|
| Opgelicht | Uit | Knippert | |
| ■ | □ | ▬ | 75% ~ 100% |
| ■ | ■ | □ | 50% ~ 75% |
| ■ | □ | □ | 25% ~ 50% |
| ■ | □ | □ | 0% ~ 25% |

OPMERKING:

Afhankelijk van de gebruiksomstandigheden en de omgevingstemperatuur kan de indicatie enigszins afwijken van de werkelijke capaciteit.

De flexibele staafantenne aanbrengen (Fig. 1)

Trek de flexibele staafantenne uit zoals aangegeven in de afbeelding.

De meegeleverde netadapter gebruiken

Verwijder de rubberen beschermer en plaats de stekker van de adapter in de DC-ingang op de rechterkant van de radio.

Steek de adapter in een standaard stopcontact.

Als de adapter wordt gebruikt, wordt de accu automatisch losgekoppeld.

⚠ LET OP:

- **Trek de netadapter altijd volledig uit het stopcontact alvorens de radio te verplaatsen. Als de netadapter niet uit het stopcontact wordt getrokken, kan dit leiden tot elektrische schokken.**
- **Trek nooit aan snoer van de netadapter. Als u dit toch doet, kan de radio per ongeluk omvallen en letsel veroorzaken bij u of anderen in uw omgeving.**

BELANGRIJK:

- De netadapter wordt gebruikt om de radio te verbinden met het lichtnet. Het stopcontact dat wordt gebruikt voor de radio moet bereikbaar blijven tijdens normaal gebruik.
- Om de radio los te koppelen van het lichtnet moet de netadapter volledig uit het stopcontact worden getrokken.
- Gebruik uitsluitend de netadapter die met het product is meegeleverd of een netadapter die voldoet aan de specificaties van Makita.
- Houd het netsnoer en de stekker niet vast met uw mond. Als u dit toch doet, kan dit leiden tot een elektrische schok.
- Raak de stekker niet aan met natte of vette handen.

- Beschadigde of verstrikte snoeren verhogen de kans op elektrische schokken. Als het netsnoer is beschadigd, laat het dan vervangen door ons erkende servicecentrum om veiligheidsgevaar te vermijden. Gebruik het netsnoer niet alvorens het te laten repareren.
- Bewaar de netadapter na gebruik altijd buiten het bereik van kinderen. Als kinderen spelen met het netsnoer, kan dit leiden tot letsel.

Opladen met de USB-voedingspoort

Er zit een USB-poort op de voorkant van de radio. Met de USB-poort kunt u een USB-apparaat opladen.

1. Sluit het USB-apparaat, zoals een iPod, MP3-speler of CD-speler, aan met behulp van een in de winkel verkrijgbare USB-kabel.
2. Druk op de aan-uitknop om de radio in te schakelen.
3. Ongeacht of de radio wordt gevoed met netstroom of door batterijen, de radio kan het USB-apparaat opladen wanneer de radio is ingeschakeld en is afgestemd op de FM/DAB -frequentieband, of in de BT- modus of AUX-modus staat, welke wordt afgebeeld wanneer de externe audiobron is aangesloten.

Opmerking:

- Het maximumvolumeniveau van de luidspreker wordt lager wanneer uw USB-apparaat wordt opgeladen.
- De USB-poort kan een stroom van maximaal 1 A en 5V leveren.

Belangrijk:

- Alvorens een USB-apparaat aan te sluiten op de USB-poort, maakt u altijd eerst een reservekopie van de gegevens op het USB-apparaat. Als u dat niet doet, kunnen uw gegevens per ongeluk verloren gaan.
- Mogelijk levert de radio geen stroom aan sommige USB-apparaten.
- Als u de voedingspoort niet gebruikt en nadat het opladen klaar is, trekt u de USB-kabel eruit en sluit u de afdekking.
- Sluit geen stroombron aan op de USB-poort. Als u dat toch doet, bestaat de kans op brand. De USB-poort is alleen bedoeld voor het opladen van een laagspanningsapparaat. Plaats altijd de afdekking terug op de USB-poort wanneer geen laagspanningsapparaat wordt opgeladen.
- Steek geen spijker, draad, enz. in de USB-voedingspoort. Als u dat toch doet, kan kortsluiting leiden tot rookontwikkeling en brand.
- Sluit deze USB-poort niet aan op de USB-poort van een computer aangezien het zeer waarschijnlijk is dat hierdoor de apparaten defect raken.

LUISTEREN NAAR DE RADIO

Deze radio heeft drie afstemmethoden - automatisch afstemmen, handmatig afstemmen en voorkeuzenders

oproepen.

Een zender selecteren – DAB

1. Druk op de aan-uitknop om de radio in te schakelen.
2. Kies de gewenste DAB-functie door op de Band-knop te drukken.
3. Druk op de Advanced-instelknop en draai de Volumeknop/Afstemknop/Keuzeknop totdat "Station List" (Zenderlijst) knippert op het display. Druk op de Volumeknop/Afstemknop/Keuzeknop om de lijst met zenders op te roepen.
4. Draai de Volumeknop/Afstemknop/Keuzeknop om de lijst met zenders te doorlopen. Druk op de knop om een zender te selecteren.
5. Stel het gewenste volumeniveau in door de Volumeknop/Afstemknop/Keuzeknop te draaien.

Displayweergave – DAB

Uw radio heeft meerdere displayweergavemogelijkheden in de DAB-functie:

Druk op de Info-knop om de diverse mogelijkheden te doorlopen met de volgende letteraanduiding (a. t/m g.).

- | | |
|---------------------------|--|
| a. Zendernaam | Geeft de zendernaam aan waarnaar u luistert. |
| b. Programmatype | Geeft het type zender aan waarnaar u luistert. Bijvoorbeeld Pop, Klassiek, Nieuws, enz. |
| c. Multiplexnaam | Geeft de naam van de DAB-multiplex aan waartoe de huidige zender behoort. |
| d. Tijd en datum | Geeft de huidige tijd en datum aan. |
| e. Frequentie en kanaal | Geeft de frequentie en het kanaalnummer aan van de DAB-zender waarop momenteel is afgestemd. |
| f. Bitsnelheid/ audiotype | Geeft de bitsnelheid van de digitale audio en het audiotype aan van de DAB-zender waarop momenteel is afgestemd. |
| g. Signaalsterkte | Geeft de signaalsterkte aan van de DAB-zender waarop momenteel is afgestemd. |

Nieuwe zenders zoeken – DAB

Af en toe kunnen nieuwe DAB-zenders beschikbaar komen. Of misschien bent u verhuisd naar een ander deel van het land. In dergelijke gevallen kunt u met uw radio automatisch zoeken naar nieuwe zenders.

Om de radio de beschikbare zenders te kunnen laten vinden, adviseren wij u alle frequenties van de DAB Band III af te zoeken.

1. Druk op de Auto Tune-knop.
2. Uw radio zoekt alle DAB-frequenties af. Naarmate nieuwe zenders worden gevonden, loopt de

zenderteller aan de linkerkant van het display op en worden zenders toegevoegd aan de lijst.

Handmatig afstemmen – DAB

Met handmatig afstemmen kunt u uw radio afstemmen op een bepaalde DAB-frequentie van Band III. Deze functie kan ook worden gebruikt om te helpen bij het positioneren van de antenne of de radio voor de beste ontvangst van een bepaald kanaal of een bepaalde frequentie.

1. Druk op de Advanced-instelknop en draai de Volumeknop/Afstemknop/Keuzeknop totdat "Manual Tune" (handmatig afstemmen) wordt afgebeeld op het display. Druk op de Volumeknop/Afstemknop/Keuzeknop om de handmatig-afstemfunctie op te roepen.
2. Draai de Volumeknop/Afstemknop/Keuzeknop om het gewenste DAB-kanaal te selecteren. Druk op de Volumeknop/Afstemknop/Keuzeknop om de geselecteerde frequentie vast te leggen.

Zendervolgorde instellen – DAB

Uw radio heeft 3 zendervolgorde-instellingen waaruit u kunt kiezen. De instellingen voor de zendervolgorde zijn alfanumeriek, ensemble en geldige zender.

1. Druk op de Advanced-instelknop.
2. Draai de Volumeknop/Afstemknop/Keuzeknop totdat "Station order" (zendervolgorde) wordt afgebeeld op het display, en druk daarna op de Volumeknop/Afstemknop/Keuzeknop om de instelling op te roepen.
3. Draai de Volumeknop/Afstemknop/Keuzeknop om een van de volgende instellingen te selecteren en druk op de knop om de instelling vast te leggen.

| | |
|--------------|---|
| Alfanumeriek | Sorteert de zenderlijst op alfanumerieke volgorde: 0 t/m 9 en A t/m Z |
| Ensemble | Organiseert de zenderlijst op DAB-multiplex |
| Geldig | Beeldt alleen die zenders af waarvan een signaal wordt ontvangen |

Dynamisch-bereikregeling (DRC) – DAB

De DRC-functie kan zachtere geluiden gemakkelijker verstaanbaar maken wanneer de radio wordt gebruikt in een luidruchtige omgeving door het dynamisch bereik van het geluidssignaal te verkleinen. Er zijn drie compressieniveaus:

| | |
|---------|---|
| DRC 0 | Er wordt geen compressie toegepast. |
| DRC 1/2 | Er wordt een gemiddelde compressie toegepast. |
| DRC 1 | Er wordt maximale compressie toegepast. |

1. Druk op de aan-uitknop om de radio in te schakelen.
2. Druk op de Band-knop om de DAB-band te selecteren.
3. Druk op de Advanced-instelknop en draai de Volumeknop/Afstemknop/Keuzeknop totdat "DRC

Value" (DRC-waarde) wordt afgebeeld op het display. Druk daarna op de Volumeknop/Afstemknop/Keuzeknop om de instelling op te roepen. Het display beeldt de huidige DRC-waarde af.

4. Draai de Volumeknop/Afstemknop/Keuzeknop om de gewenste DRC-instelling te selecteren.
5. Druk daarna op de Volumeknop/Afstemknop/Keuzeknop om de instelling vast te leggen.

Automatisch afstemmen – FM

1. Druk op de aan-uitknop om de radio in te schakelen.
2. Selecteer de gewenste frequentieband door op de Band-knop te drukken. Zorg dat de flexibele staafantenne in de juiste richting is geplaatst voor de beste FM-ontvangst. Probeer te vermijden dat de auto wordt gebruikt naast een computerscherm of andere apparatuur die storing veroorzaakt op de radio.
3. Druk op de Auto Tune-knop zodat de radio begint te zoeken en automatisch stopt wanneer een radiozender is gevonden. De radio blijft zoeken naar de volgende beschikbare zender tot de gebruiker weer op de Auto Tune-knop drukt om het zoeken te stoppen.
4. Draai de Volumeknop/Afstemknop/Keuzeknop om het gewenste volumeniveau te selecteren. Op het display worden de veranderingen in het volumeniveau afgebeeld.
5. Druk op de aan-uitknop om de radio uit te schakelen.

FM-zoekbereik

In de FM-band kan de radio worden ingesteld op het zoeken naar lokale zenders of het zoeken naar alle zenders, inclusief radiozenders op grote afstand.

1. Druk op de aan-uitknop om de radio in te schakelen.
2. Druk op de Band-knop om de FM-band te selecteren.
3. Druk op de Advanced-instelknop en draai daarna aan de Volumeknop/Afstemknop/Keuzeknop totdat "FM Scan Zone" wordt getoond op het display. Druk op de Volumeknop/Afstemknop/Keuzeknop om de instelling te openen.
4. Draai aan de Volumeknop/Afstemknop/Keuzeknop om te schakelen tussen de opties "Local" (alleen zenders met een sterk signaal) en "Distant" (alle zenders) op de onderste regel van het display. De optie "Distant" zorgt ervoor dat de radio ook zwakkere signalen kan vinden tijdens het scannen.
5. Druk op de Volumeknop/Afstemknop/Keuzeknop om uw keuze te bevestigen. De optie "Local" of "Distant" wordt opgeslagen in het geheugen van de radio en blijft van kracht tot deze wordt gewijzigd of er een systeemreset wordt uitgevoerd.

Handmatig afstemmen – FM

1. Druk op de aan-uitknop om de radio in te schakelen.
2. Druk op de Band-knop om de gewenste frequentieband

te selecteren. Richt de antenne zoals hierboven beschreven.

3. Draai de Volumeknop/Afstemknop/Keuzeknop om de frequentie te veranderen met de volgende stapgrootte: FM: 50 kHz

Opmerking:

Om een gewenste zender te zoeken met behulp van de Volumeknop/Afstemknop/Keuzeknop, drukt u op de Volumeknop/Afstemknop/Keuzeknop om over te schakelen naar de afstembediening.

4. Blijf de Volumeknop/Afstemknop/Keuzeknop draaien totdat de gewenste frequentie wordt afgebeeld op het display.
5. Draai de Volumeknop/Afstemknop/Keuzeknop om het gewenste volumeniveau te selecteren.
6. Druk op de aan-uitknop om de radio uit te schakelen.

Displayweergave – FM (RDS)

Uw radio heeft meerdere displayweergavemogelijkheden voor FM-zenders:

Druk herhaaldelijk op de Info-knop om de RDS-informatie (Radio Data System) van de zender die wordt beluisterd te bekijken.

- | | |
|------------------|--|
| a. Zendernaam | Geeft de naam aan van de zender waarnaar u luistert. |
| b. Frequentie | Geeft de frequentie aan van het FM-signaal. |
| c. Radiotekst | Geeft een tekstbericht aan, zoals nieuwsberichten, enz. |
| d. Programmatype | d. Geeft het type zender aan waarnaar u luistert, bijvoorbeeld Pop, Klassiek, Nieuws, enz. |
| e. Tijd en datum | Geeft de huidige tijd en datum aan. |

Zenders opslaan in het voorkeuzendergeheugen (DAB en FM)

Voor elke frequentieband kunnen 5 voorkeuzenders worden opgeslagen.

1. Druk op de aan-uitknop om de radio in te schakelen.
2. Stem op de gewenste zender af door middel van één van de hierboven beschreven methoden.
3. Houd de gewenste voorkeuzenderknop ingedrukt tot het voorkeuzendernummer wordt afgebeeld op het display, bijvoorbeeld "P2 Saved" (P2 opgeslagen). De zender wordt vervolgens opgeslagen onder de geselecteerde voorkeuzenderknop.
4. Herhaal deze procedure voor de overige voorkeuzenderknoppen.
5. Zenders die als voorkeuzender zijn opgeslagen kunnen worden overschreven door de hierboven beschreven procedure opnieuw te volgen.

Zenders oproepen uit het voorkeuzendergeheugen (DAB en FM)

1. Druk op de aan-uitknop om de radio in te schakelen.
2. Druk op de Band-knop om de gewenste frequentieband te selecteren.
3. Druk kort op de gewenste voorkeuzenderknop. Het voorkeuzendernummer en de zenderfrequentie worden afgebeeld op het display.

LUISTEREN NAAR MUZIEK VIA BLUETOOTH-STREAMING

U moet uw Bluetooth-apparaat koppelen met de radio voordat u automatisch verbinding kunt maken en Bluetooth-muziek kunt afspelen/streamen via de radio. Koppelen creëert een 'band', zodat twee apparaten elkaar kunnen herkennen.

Opmerking:

Voor een betere geluidskwaliteit raden we aan het volume op uw Bluetooth-apparaat op minimaal tweederde van het maximale niveau in te stellen en daarna de volumeregeling van de radio te gebruiken om het volume naar wens in te stellen.

Uw Bluetooth-apparaat voor het eerst koppelen met de radio

1. Druk op de aan-uitknop om de radio in te schakelen. Druk op de Band-knop om de Bluetooth-modus te selecteren. De Bluetooth-indicator op de voorkeuzenderknoppen knippert blauw om aan te geven dat de radio detecteerbaar is.
2. Activeer de Bluetooth® op uw apparaat, zie hiervoor de handleiding van uw apparaat. Zoek naar beschikbare apparaten voor koppeling. Uw radio zal zich melden als "DMR112." op uw apparaat. Indien uw apparaat over een oudere versie van Bluetooth® beschikt dan versie BT2.1, is het mogelijk dat uw apparaat vraagt om een wachtwoord. Voer dan "0000" in.
3. Zodra de verbinding tot stand is gekomen, zal er een bevestigingstoon klinken en de Bluetooth-indicator op de voorkeuzenderknoppen blijft blauw branden. U kunt nu simpelweg op uw bronapparaat muziek selecteren en deze muziek afspelen. U kunt het volume instellen op uw bronapparaat of rechtstreeks op de radio.
4. Gebruik de bediening op uw apparaat of op de radio om de door u gewenste muziek te kiezen.

Opmerking:

1. Als er voor de eerste keer wordt gekoppeld en er 2 Bluetooth-apparaten naar uw radio zoeken, dan wordt de radio op beide apparaten als beschikbaar getoond. Als er echter één apparaat verbinding maakt met de radio, zal het andere Bluetooth-apparaat de radio niet meer vinden in de lijst.
2. Als uw Bluetooth-apparaat tijdelijk de verbinding met

de radio verliest, dan moet u handmatig de verbinding tussen uw apparaat en de radio

3. Als 'DMR112' wordt getoond in uw Bluetooth-apparaatlijst, maar uw Bluetooth-apparaat geen verbinding kan maken met de radio, verwijder het item dan uit uw lijst en koppel nogmaals met de radio door de hierboven beschreven stappen te volgen.
4. Het optimale Bluetooth-streambereik is ongeveer 10 meter (30 voet) (zichtlijn) naar de radio, maar afstanden tot 30 meter (100 voet) zijn mogelijk.
5. Het is mogelijk dat u opnieuw verbinding moet maken indien de Bluetooth-verbinding wordt verbroken door het overschrijden van de scheidingslijn, het overschrijden van de optimale afstand, obstakels of vanwege andere redenen.
6. Fysieke obstakels, andere draadloze apparaten of elektromagnetische apparaten kunnen de verbindingkwaliteit beïnvloeden.
7. Bluetooth® verbindingen prestaties kunnen variëren afhankelijk van de verbonden apparaten. Raadpleeg de Bluetooth® mogelijkheden van uw apparaat voordat u deze aansluit op uw radio. Voor sommige verbonden Bluetooth® apparaten kan het zijn dat niet alle functies ondersteund worden.

Het afspelen van geluidsbestanden in de Bluetooth® modus

Indien de verbinding tussen de radio en uw Bluetooth® apparaat succesvol tot stand gebracht is, kunt u de muziek van uw apparaat afspelen door middel van de bedieningstoetsen op uw verbonden apparaat.

1. Stel het volume, zodra het afspelen is gestart, naar wens in met behulp van de volumeknoppen op uw radio of op uw Bluetooth-apparaat.
2. Gebruik de bedieningselementen op uw apparaat om het afspelen te starten/pauzeren en om de gewenste track te selecteren.

Opmerking:

1. Het is mogelijk dat niet alle afspeelapplicaties of apparaten reageren op alle bedieningselementen.
2. Sommige mobiele telefoons kunnen de verbinding met de radio verbreken wanneer er oproepen worden gemaakt of ontvangen. Sommige apparaten kunnen het geluid van de Bluetooth-audiostream tijdelijk uitschakelen wanneer er sms'jes of emails worden ontvangen of omwille van andere redenen die niets met het streamen van audio te maken hebben. Dergelijk gedrag is een functie van het Bluetooth-apparaat en duidt niet op een fout met uw radio.

Afspelen met een eerder gekoppeld Bluetooth-apparaat

Uw radio kan tot acht verschillende gekoppelde apparaten onthouden. Wanneer daarna een nieuw apparaat

gekoppeld zal worden zal de oudst bekende koppeling overschreven worden. Als uw Bluetooth® apparaat al eerder gekoppeld was met de radio, dan zal de radio dit herkennen, en gewoon verbinden met dit apparaat. Als deze verbinding niet zal slagen, zal de radio in detectie modus schakelen.

Loskoppelen van uw Bluetooth® apparaat

Houd de Bluetooth-koppelknop voor 2-3 seconden ingedrukt om de verbinding met uw Bluetooth-apparaat te verbreken. De Bluetooth-indicator op de voorkeuzenderknoppen knippert blauw om aan te geven dat de radio weer detecteerbaar is en opnieuw kan koppelen.

AUX-INGANG

Die radio is uitgerust met twee 3,5 mm stereo-aux-ingangen. Een van deze uitgangen zit op de voorkant van uw radio (AUX-ingang 1); de ander zit in het accuvak (AUX-ingang 2).

1. Sluit een externe audiobron (bijvoorbeeld, iPod, MP3- of CD-speler) aan op de aux-ingang met behulp van een audiokabel.
2. Druk herhaaldelijk op de Band-knop tot "AUX IN 1" of "AUX IN 2" wordt getoond op het display, de AUX-functie is nu ingeschakeld.
3. Voor de beste geluidskwaliteit wordt aanbevolen het volume op uw audioapparaat te verhogen tot meer dan tweederde van het maximale niveau en daarna het volume op de radio naar wens in te stellen.

OPMERKING:

Audiokabel wordt niet meegeleverd als standaardaccessoire.

OVERIGE INSTELLINGEN

Taalkeuze

Er zijn acht taalkeuzemogelijkheden beschikbaar in de radio:

Engels, Duits, Italiaans, Frans, Nederlands, Deens, Noors en Spaans.

1. Druk op de Advanced-instelknop.
2. Draai de Volumeknop/Afstemknop/Keuzeknop totdat "Language" (taal) wordt afgebeeld op het display. Druk op de Volumeknop/Afstemknop/Keuzeknop om de instelling op te roepen.
3. Draai de Volumeknop/Afstemknop/Keuzeknop om de gewenste taal te selecteren. Druk daarna op de Volumeknop/Afstemknop/Keuzeknop om de instelling vast te leggen.

Helderheidsregeling

De knopverlichting kan worden aangepast.

1. Druk op de Advanced-instelknop.
2. Draai aan de Volumeknop/Afstemknop/Keuzeknop tot "Button Light" wordt getoond op het display. Druk op de Volumeknop/Afstemknop/Keuzeknop om de instelling te openen.
3. Draai aan de Volumeknop/Afstemknop/Keuzeknop om "On" (aan) of "Off" (uit) te selecteren en de knopverlichtingsfunctie in te schakelen of uit te schakelen en druk tot slot op de Volumeknop/Afstemknop/Keuzeknop ter bevestiging van uw keuze.

De radio terugstellen

Als de radio niet juist werkt, of enkele tekens op het display geheel of gedeeltelijk ontbreken, voert u de volgende procedure uit.

1. Druk op de Advanced-instelknop.
2. Draai de Volumeknop/Afstemknop/Keuzeknop totdat "Factory Reset" (terugstellen op fabriekinstellingen) wordt afgebeeld op het display. Druk op de Volumeknop/Afstemknop/Keuzeknop om de instelling op te roepen.
3. Draai de Volumeknop/Afstemknop/Keuzeknop om "Yes" (ja) te selecteren. Druk op de Volumeknop/Afstemknop/Keuzeknop om de instelling vast te leggen, waarna de radio volledig wordt teruggesteld.

Softwareversie

1. Druk op de Advanced-instelknop.
2. Draai de Volumeknop/Afstemknop/Keuzeknop totdat "SW Version" (softwareversie) wordt afgebeeld op het display. Druk op de Volumeknop/Afstemknop/Keuzeknop om de softwareversie die in de radio is geïnstalleerd af te beelden op het display.

Micro-USB-poort voor software-upgrade

In de toekomst komt mogelijk nieuwe software voor uw radio beschikbaar.

Wanneer nieuwe software beschikbaar komt, zal de software en informatie over het installeren ervan op uw radio worden gepubliceerd op de **Makita-website**.

ONDERHOUD

⚠ LET OP:

Gebruik nooit benzine, wasbenzine, thinner, alcohol, enz. Dit kan leiden tot verkleuren, vervormen of barsten.

TECHNISCHE GEGEVENS

| Voedingsvereisten | |
|---------------------------|---|
| Netspanningsadapter | 12 V DC 1.2A, middenpen positief |
| Batterij | Blokaccu: 7.2 V - 10.8 V Schuifaccu: 10.8 V - 18 V |
| Frequentiebereik | FM 87.50 - 108 MHz DAB/DAB+ 174.928-239.200 MHz |
| DAB/DAB+ Kanaalblokkering | DAB (Band III) 5A-13F |
| Compatibele norm | DAB/DAB+ |

| Bluetooth® | |
|---|--|
| (Het Bluetooth®-woordmerk en -logo's zijn gedeponeerde handelsmerken in eigendom van Bluetooth SIG, Inc.) | |
| Bluetooth-versie | 4.0 |
| Bluetooth-profielen | A2DP/SCMS-T |
| Zendvermogen | Vermogensklasse 2 |
| Zendbereik | Optimaal: Max. 10 meter (33 voet) Mogelijk: Max. 30 meter (100 voet) (varieert afhankelijk van gebruiksomstandigheden) |
| Ondersteunde codec | SBC, AAC |
| Compatibel Bluetooth-profiel | A2DP |
| Maximaal radiofrequentievermogen | BT EDR: 3.12dBm BT LE: 2.31dBm |
| Bedrijfsfrequentie | 2402MHz~2480MHz |

| Circuitfunctie | |
|------------------------|---|
| Luidspreker | 3,5 inch, 32 ohm x 2 |
| Uitgangsvermogen | 7.2 V: 0.6 W X 2 12Vmax: 1.7 W X 2 14.4 V: 3 W X 2 18 V: 4.9 W X 2 |
| Ingangsaansluiting | Diameter 3,5 mm (AUX IN1/AUX IN2) |
| Antennesysteem | DAB/FM: flexibele staafantenne |
| Afmetingen (l x b x h) | 282 × 163 × 294 mm |
| Gewicht | 4.3KG (zonder accu) |

ESPAÑOL (Instrucciones originales)

EXPLICACIÓN DE LA VISTA GENERAL (Fig. 1~5)

1. Antena de varilla curva
2. Compartimento de la batería
3. Asa
4. Cubierta del compartimento de la batería (cubriendo la batería)
5. Toma de entrada de CC
6. Altavoz
7. Botón de encendido
8. Botón de banda
9. Botón de ajustes avanzados
10. Botón de información
11. Presintonías 2-5
12. Botón de sintonización automática
13. Control de volumen/sintonización/selección
14. Puerto de fuente de alimentación USB
15. Entrada auxiliar 1
16. Presintonía 1/botón de vinculación Bluetooth
17. Pantalla LCD
18. Terminal de entrada (entrada auxiliar 2)
19. Compartimento de la batería
20. Puerto microUSB para actualización de software
21. Batería

SÍMBOLOS

Lo siguiente muestra los símbolos usados por el equipo. Asegúrese de que entiende su significado, antes de usar el equipo.



Lea el manual de instrucciones.



Solo para países de la UE

No se deshaga del equipo eléctrico o del paquete de baterías junto con la basura doméstica.

De acuerdo con las directivas europeas sobre Residuos de Aparatos y Baterías y Acumuladores Eléctricos y Electrónicos y sobre Residuos de Baterías y Acumuladores y su aplicación conforme las legislaciones nacionales, las baterías y los paquetes de baterías que lleguen al final de su vida útil deben ser recolectados por separado y devueltos a una instalación de reciclaje compatible con el medio ambiente.

INSTRUCCIONES IMPORTANTES DE SEGURIDAD

⚠ ADVERTENCIA:

Cuando utilice herramientas eléctricas, para reducir el riesgo de incendio, descarga eléctrica y lesiones personales, siga siempre las precauciones básicas de seguridad, incluyendo lo siguiente:

1. Lea el manual de instrucciones y el manual de instrucciones del cargador detenidamente antes de usarlos.
2. Limpie el equipo solo con un paño seco.
3. No instale cerca de fuentes de calor, como radiadores, estufas, fuegos de cocina u otros aparatos (incluyendo amplificadores) que produzcan calor.
4. Utilice únicamente accesorios especificados por el fabricante.
5. Desenchufe este aparato durante las tormentas o cuando no vaya a usarlo por un periodo prolongado.
6. Una radio a batería con baterías integrales o un paquete de baterías independiente se debe recargar solamente con el cargador especificado para la batería. Un cargador que puede ser adecuado para un tipo de batería puede crear un riesgo de incendio cuando se usa con otra batería.
7. Utilice la radio a batería únicamente con los paquetes de batería designados específicamente. El uso de cualquier otra batería puede crear un riesgo de incendio.
8. Cuando la batería no esté en uso, manténgala alejada de otros objetos metálicos como: clips, monedas, llaves, clavos, tornillos u otros objetos metálicos pequeños que pudieran crear conexiones de un terminal a otro. El contacto entre sí de los terminales de las baterías puede provocar chispas, quemaduras o fuego.
9. Evite contacto corporal con superficies conectadas a tierra como tuberías, radiadores, estufas y refrigeradores. Hay un incremento del riesgo de descarga eléctrica si su cuerpo está conectado a tierra.
10. En condiciones abusivas, puede que de la batería se expulse líquido, evite el contacto. Si de forma accidental entra en contacto con el líquido, enjuague con agua. Si el líquido entrase en contacto con los ojos, busque ayuda médica. El líquido expulsado de la batería puede causar irritación o quemaduras.
11. No use una batería o una herramienta dañada o modificada. Las baterías dañadas o modificadas puede presentar un comportamiento impredecible causando incendios, explosiones y riesgos de lesiones.
12. No exponga la batería o herramienta al fuego o a temperaturas excesivas. La exposición al fuego o a temperaturas mayores que 130 °C podrían causar una explosión.
13. Siga todas las instrucciones de carga y no cargue la batería o la herramienta fuera del rango de temperatura especificado en las instrucciones. Cargar

incorrectamente o a temperaturas fuera del rango especificado podrían dañar la batería e incrementar el riesgo de fuego.

14. El enchufe principal de la red eléctrica se utiliza como dispositivo de desconexión, y debe estar siempre disponible.
15. No use este producto a volumen alto durante un periodo prolongado. Para evitar daños auditivos, use este producto a un nivel de volumen moderado.
16. (Solo para productos con pantalla LCD) Las pantallas LCD incluyen líquidos que pueden causar irritación y envenenamiento. Si el líquido entrase en contacto con los ojos, boca o piel, enjuague con agua y llame a un médico.
17. No exponga el producto a condiciones de lluvia o humedad. El agua que entre al producto incrementará el riesgo de descarga eléctrica.
18. Este aparato no es apto para su uso por personas (niños incluidos) con las capacidades físicas, sensoriales o mentales disminuidas, o por personas que carezcan de experiencia y conocimiento, a no ser que alguien que sea responsable de su seguridad, les esté supervisando o les explique cómo deben usar el aparato. Los niños deben ser supervisados para asegurarse de que no jueguen con el producto. Guarde el producto lejos del alcance de los niños.

GUARDE ESTAS INSTRUCCIONES

REGLAS ESPECÍFICAS DE SEGURIDAD

PARA EL CARTUCHO DE BATERÍA

1. Antes de utilizar el cartucho de batería, lea todas las instrucciones y advertencias en (1) el cargador de la batería, (2) la baterías, (3) el producto que usa la batería.
2. No desmonte el cartucho de batería.
3. Si el tiempo de funcionamiento se ha vuelto excesivamente corto, pare inmediatamente. Puede haber riesgo de sobrecalentamiento, posibles quemaduras o incluso una explosión.
4. Si el electrolito entra en contacto con los ojos, lávelos con agua limpia y busque atención médica de inmediato. Podría dar como resultado la pérdida de visión.
5. No haga un cortocircuito con el cartucho de batería.
 - 1) No toque los terminales con un material conductor.
 - 2) Evite almacenar el cartucho de batería en recipientes con otros objetos metálicos como clavos, monedas, etc.
 - 3) No exponga la batería al agua o lluvia. Un cortocircuito en la batería puede producir un gran flujo, sobrecalentamiento, posibles quemaduras e incluso una avería.
6. No guarde la herramienta ni el cartucho de batería

en lugares donde la temperatura pueda llegar a o superar los 50 °C (122 °F).

7. No incinere el cartucho de batería incluso si está muy dañado o completamente desgastado. El cartucho de batería podría explotar en el fuego.
8. Tenga cuidado de no dejar caer o golpear la batería.
9. No use una batería dañada.
10. Para evitar riesgos, lea antes de su uso el manual de la batería reemplazable. Y la corriente máxima de descarga de la batería debe ser igual o mayor a 8 A..
11. Las baterías de iones de litio están sujetas a los requisitos de la Legislación de mercancías peligrosas. Para su transporte comercial, como por ejemplo por terceros o transportistas, deben respetarse los requisitos especiales del embalaje y etiquetado. Para la preparación del artículo para su envío, se requiere consultar a un experto en materiales peligrosos. Acate también las, posiblemente más detalladas, regulaciones nacionales. Cubra los contactos abiertos y empaquete la batería de tal manera que no se pueda mover en el embalaje.
12. Siga las regulaciones locales en lo relacionado a la eliminación de baterías.
13. Use las baterías solo con los productos especificados por Makita. La instalación de las baterías con productos no conformes podría resultar en un incendio, calor excesivo, explosión o fuga de electrolitos.

⚠ PRECAUCIÓN:

- Peligro de explosión si la batería se coloca incorrectamente.
- Reemplace solo con una del mismo tipo o uno equivalente.
- Use solo baterías originales Makita. El uso de baterías Makita no originales o de baterías que hayan sido alteradas podría provocar la explosión de la batería causando incendios, lesiones personales y daños. También anulará la garantía de Makita para la herramienta de Makita y el cargador.

Consejos para mantener al máximo la vida útil de la batería

1. Cargue el cartucho de batería antes de que se descargue completamente. Deje de usar la herramienta y cargue la batería cuando note que la batería tiene menos potencia.
2. Nunca cargue un cartucho de batería que esté totalmente cargado. La sobrecarga reduce la vida útil de la batería.
3. Cargue el cartucho de batería con una temperatura ambiente de entre 10 y 40 grados centígrados (50 °F-104 °F). Antes de cargarla, deje que una batería que esté caliente se enfríe.
4. Cargue el cartucho de batería si no lo usa durante un largo periodo de tiempo (más de seis meses).

TIEMPO DE FUNCIONAMIENTO

* La siguiente tabla indica el tiempo de uso con una sola carga.

| Capacidad de la batería | Tensión del cartucho de batería | | | | | CON LA SALIDA DEL ALTAVOZ = 100 mW Unidad: hora (aproximadamente) | |
|-------------------------|---------------------------------|--------|--------------------|-------------------|-------------------|--|--------------------------------|
| | 7,2 V | 10,8 V | 10,8 V – 12Vmáx | 14,4 V | 18 V | En radio o AUX | En radio con carga USB (1,0 A) |
| 1,0 Ah | BL7010 | | | | | 5,0 | 0,7 |
| 1,3 Ah | | BL1013 | | | | 7,0 | 0,9 |
| | | | | BL 1415 | | 5,5 | 1,7 |
| | | | | | BL1815 | 6,0 | 1,9 |
| 1,5 Ah | BL0715 | | | | | 7,5 | 1,0 |
| | | | BL1015 BL1016 | | | 8,5 | 1,7 |
| | | | | BL1415N | | 7,0 | 2,0 |
| | | | | | BL1815N | 7,5 | 2,0 |
| 2,0 Ah | | | BL1020B BL1021B | | | 11 | 2,0 |
| | | | | | BL1820 BL1820B | 10 | 3,0 |
| 3,0 Ah | | | | BL1430 BL1430B | | 12 | 3,5 |
| | | | | | BL1830 BL1830B | 14 | 4,0 |
| 4,0 Ah | | | BL1040B BL1041B | | | 21 | 4,0 |
| | | | | BL1440 | | 19 | 5,5 |
| | | | | | BL1840 BL1840B | 20 | 6,0 |
| 5,0 Ah | | | | BL1450 | | 23 | 6,5 |
| | | | | | BL1850 BL1850B | 26 | 8,0 |
| 6,0 Ah | | | | BL1460B | | 25 | 7,5 |
| | | | | | BL1860B | 31 | 9,5 |

□ : Batería de clúster □ : Batería deslizante

⚠ ADVERTENCIA:

Solo use las baterías indicadas anteriormente. El uso de cualquier otra batería podría causar lesiones o fuego.

Nota:

La tabla sobre el tiempo de funcionamiento de la batería es para referencia. El tiempo de funcionamiento real puede diferir según el tipo de batería, condiciones de carga o entorno de uso.

INSTALACIÓN Y ALIMENTACIÓN

⚠ PRECAUCIÓN:

- Tenga cuidado de no pellizcarse los dedos al abrir y cerrar la tapa de la batería.
- Tras instalar o retirar la batería, devuelva el compartimento de la batería a su posición inicial. De lo contrario la batería podría caerse accidentalmente de la radio y causar lesiones a usted o a gente a su alrededor.
- Antes de mover la radio cierre y boquee siempre el compartimento de la batería.
- Antes de instalar o retirar la batería apague siempre la radio.
- Tenga cuidado de no dejar caer o golpear la radio. Una carcasa rota podría cortarle los dedos o clavarse en su cuerpo. Una radio dañada puede tener un comportamiento impredecible que podría resultar en fuego, explosiones o riesgo de lesiones.

IMPORTANTE:

- Potencia reducida, distorsión, cortes en el sonido o cuando "POWERFAIL" aparece en la pantalla, son señales de que la batería principal necesita ser reemplazada.
- La batería no puede cargarse mediante el adaptador de alimentación de CA suministrado.
- La batería no se incluye como accesorio estándar.

Instalación o extracción del cartucho de la batería deslizante (Fig. 2 y 3)

1. Para instalar el cartucho de la batería, alinee la lengüeta situada en el cartucho de la batería con la ranura del chasis e insértelo. Insértelo completamente hasta que quede firmemente encajado con un clic.
2. Si puede ver el indicador rojo de la zona superior del botón, significa que el cartucho no está encajado completamente. Instálelo completamente hasta que el indicador rojo no esté visible. De lo contrario, el cartucho puede desprenderse accidentalmente de la radio y causar lesiones al operario o a alguna persona que se encuentre cerca.
3. No haga fuerza al insertar el cartucho de la batería. Si el cartucho no entra con suavidad, significa que no lo está instalando correctamente.
4. Para retirar la batería, deslicela de la radio mientras desliza el botón en la parte frontal de la radio.

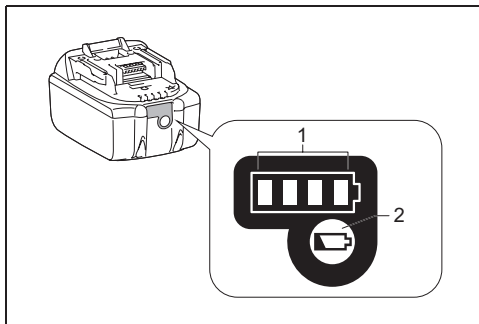
Instalación o extracción del cartucho de la batería de clúster (Fig. 4 y 5)

1. Para insertar el cartucho de la batería, alinee la lengüeta situada en el cartucho de la batería con la ranura del alojamiento e insértela.
2. Para quitar el cartucho de la batería, extraiga la batería

del terminal mientras presiona los botones del lateral del cartucho.

Indicación de la capacidad restante de la batería

* Solo para cartuchos de la batería con "B" al final del número de modelo.



➤ 1. Luces indicadoras 2. Botón de comprobación

Pulse el botón de comprobación del cartucho de la batería para indicar la capacidad restante de la batería. Las luces indicadoras se encienden durante unos segundos.

• Baterías 14,4 V/18 V

| Luces indicadoras | | | Capacidad restante |
|--------------------|---------|-------------|---------------------------------------|
| Iluminado | Apagado | Parpadeando | |
| ■ ■ ■ ■ | | | 75% ~ 100% |
| ■ ■ ■ □ | | | 50% ~ 75% |
| ■ ■ □ □ | | | 25% ~ 50% |
| ■ □ □ □ | | | 0% ~ 25% |
| ▣ □ □ □ | | | Cargue la batería |
| ■ ■ □ □ □ □ ■ ■ | | | La batería puede haber funcionado mal |

- **Baterías 10,8 V-12 V máx.**

| Luces indicadoras | | | Capacidad restante |
|-------------------|---------|-------------|--------------------|
| Iluminado | Apagado | Parpadeando | |
| | | | |
| | | | 75% ~ 100% |
| | | | 50% ~ 75% |
| | | | 25% ~ 50% |
| | | | 0% ~ 25% |

NOTA:

Dependiendo de las condiciones de uso y de la temperatura ambiente, la indicación puede diferir ligeramente de la capacidad real.

Uso de la antena de varilla flexible (Fig. 1)

Ponga la antena de varilla flexible en posición vertical tal y como se muestra en la figura.

USO DEL ADAPTADOR DE ALIMENTACIÓN DE CA SUMINISTRADO

Retire el protector de goma e inserte el enchufe del adaptador en la toma de CC en la parte derecha de la radio. Enchufe el adaptador a una toma de la red eléctrica estándar. Cuando se usa el adaptador, la batería se desconecta automáticamente.

⚠ PRECAUCIÓN:

- **Desconecte siempre completamente el adaptador de alimentación de CA antes de mover la radio. Si no se retira el adaptador de CA, podría causar una descarga eléctrica.**
- **Nunca tire o arrastre el cable del adaptador. De lo contrario, la radio podría caerse de forma accidental causándole lesiones a usted o a gente a su alrededor.**

IMPORTANTE:

- El adaptador de la red eléctrica se usa como medio para conectar la radio al suministro de la red eléctrica. La toma de corriente usada por la radio debe permanecer accesible durante el uso normal.
- Para desconectar la radio, el adaptador de la red eléctrica debe retirarse por completo de la toma de corriente.
- Use solo el adaptador de alimentación de CA suministrado con el producto o especificado por Makita.
- No sujete el cable de alimentación y enchufe con la boca. Hacerlo podría causar una descarga eléctrica.
- No toque el enchufe de corriente con las manos

mojadas o grasosas.

- Unos cables dañados o enredados incrementan el riesgo de descarga eléctrica. Si el cable está dañado, haga que su centro de servicio autorizado lo reemplace para evitar riesgos para la seguridad. No lo use antes de la reparación.
- Tras el uso, guarde siempre el adaptador de alimentación de CA fuera del alcance de los niños. Si los niños jugasen con el cable, podrían sufrir lesiones.

Carga mediante el puerto de suministro de alimentación USB

Existe un puerto USB en la parte frontal de la radio. Puede cargar el dispositivo USB mediante el puerto USB.

1. Conecte el dispositivo USB, por ejemplo un iPod, MP3 o reproductor de CD, con un cable USB disponible en el mercado.
2. Pulse el botón de encendido para encender la radio.
3. Independientemente de si la radio recibe alimentación de corriente alterna o de baterías, la radio puede cargar el dispositivo USB cuando está encendida y en el modo de radio FM/DAB, el modo BT o el modo AUX, que aparece cuando se conecta una fuente de audio externa.

NOTA:

- Durante la carga USB, el volumen máximo del altavoz de salida se reducirá.
- La ranura USB puede suministrar una corriente eléctrica máxima de 1A5V.

Importante:

- Antes de conectar el dispositivo USB al puerto USB, realice siempre una copia de seguridad de los datos del dispositivo USB. De lo contrario, puede que los datos del dispositivo se pierdan.
- Puede que la radio no suministre alimentación a algunos dispositivos USB.
- Cuando no lo utilice, o bien después de una carga, retire el cable USB y cierre la cubierta.
- No conecte una fuente de alimentación al puerto USB. Existe riesgo de que se produzca un incendio. El puerto USB está diseñado únicamente para cargar dispositivos de bajo voltaje. Cuando no cargue un dispositivo de bajo voltaje, coloque siempre la cubierta en el puerto USB.
- No inserte un clavo, un cable, etc. en el interior del puerto de suministro de alimentación USB. Existe el riesgo de que se produzca un cortocircuito que provoque humo o incluso un incendio.
- No conecte esta ranura USB con el puerto USB de un ordenador, ya que es muy posible que las dos unidades se averíen.

ESCUCHAR LA RADIO

Esta radio dispone de tres sistemas de sintonización:

escaneado, manual y recuperación de presintonías en memoria.

Selección de una emisora – DAB

1. Pulse el botón de encendido para encender la radio.
2. Seleccione el modo DAB que desee pulsando el botón de banda.
3. Pulse el botón de configuración avanzada y gire el mando de volumen/control de sintonización/selección hasta que "Station List" (Lista de emisoras) parpadee en la pantalla. Pulse el mando de volumen/control de sintonización/selección para seleccionar en la lista de emisoras.
4. Gire el mando de volumen/control de sintonización/selección para desplazarse por la lista de emisoras disponibles. Pulse el mando para seleccionar una emisora.
5. Ajuste el volumen que desee girando el mando de volumen/control de sintonización/selección.

Modos de visualización – DAB

La radio tiene diferentes opciones de visualización en el modo DAB:

Pulse el botón de información para cambiar entre las distintas opciones correspondientes a las siguientes letras (a. - g.).

- | | |
|--|--|
| a. Station name (Nombre de la emisora) | Indica el nombre de la emisora que se está escuchando. |
| b. Program type (Tipo de programa) | Indica el tipo de emisora que se está escuchando. P. ej. Pop, Clásica, Noticias, etc. |
| c. Multiplex name (Nombre multiplex) | Indica el nombre del multiplex DAB al que pertenece la emisora actual. |
| d. Time & date (Fecha y hora) | Indica la hora y la fecha actuales. |
| e. Frequency and channel (Frecuencia y canal) | Indica el número de frecuencia y de canal de la emisora DAB actualmente sintonizada. |
| f. Bit rate/Audio type (Velocidad de bits/Tipo de audio) | Indica la velocidad de bits de audio digital y el tipo de audio de la emisora DAB actualmente sintonizada. |
| g. Signal strength (Intensidad de la señal) | Indica la intensidad de señal de la emisora DAB actualmente sintonizada. |

Búsqueda de nuevas emisoras – DAB

De vez en cuando se crean nuevas emisoras de radio DAB. O puede que deba trasladarse a otra parte del país. En ambos casos, deberá configurar la radio para que detecte nuevas emisoras.

Para que la radio pueda encontrar todas las emisoras disponibles, se recomienda realizar un escaneado completo de todas las frecuencias DAB en la banda III.

1. Pulse el botón de sintonización automática.
2. La radio realizará un escaneado completo de las frecuencias DAB. A medida que se encuentren emisoras nuevas, el contador de emisoras del lado izquierdo de la pantalla irá aumentando y las emisoras se añadirán a la lista.

Sintonización manual – DAB

La sintonización manual permite sintonizar la radio en una frecuencia DAB determinada en la banda III. Esta función también se puede usar para ayudar a orientar la antena o la radio a fin de optimizar la recepción de un canal o frecuencia específicos.

1. Pulse el botón de configuración avanzada y gire el mando de volumen/control de sintonización/selección hasta que "Manual Tune" (Sintonización manual) aparezca en la pantalla. Pulse el mando de volumen/control de sintonización/selección para entrar en el modo de sintonización manual.
2. Gire el mando de volumen/control de sintonización/selección para seleccionar el canal DAB que desee. Pulse el mando de volumen/control de sintonización/selección para confirmar la frecuencia elegida.

Configuración del orden de las emisoras – DAB

La radio cuenta con 3 ajustes que puede seleccionar para ordenar las emisoras. Los ajustes de orden permiten organizar las emisoras alfanuméricamente (Alphanumeric), por multiplex DAB (Ensemble) y por señal válida (Valid).

1. Pulse el botón de configuración avanzada.
2. Gire el mando de volumen/control de sintonización/selección hasta que "Station order" (Orden de las emisoras) aparezca en pantalla y, a continuación, pulse de nuevo el mando de volumen/control de sintonización/selección para seleccionar el ajuste.
3. Gire el mando de volumen/control de sintonización/selección para seleccionar las siguientes opciones y púselo para confirmar el ajuste.

| | |
|----------------------------------|---|
| Alphanumeric (Alfanuméricamente) | Ordena la lista de emisoras alfanuméricamente 0...9 A...Z |
| Ensemble (por multiplex DAB) | Organiza la lista de emisoras por multiplex DAB |
| Valid (Señal válida) | Muestra solo las emisoras para las que se puede encontrar una señal |

Control de gama dinámica (DRC) – DAB

La característica DRC permite que los sonidos más tenues sean audibles cuando la radio se utiliza en un entorno ruidoso, ya que reduce el rango dinámico de la

señal de audio. Hay tres niveles de compresión:

- DRC 0 No se aplica ninguna compresión.
- DRC 1/2 Se aplica una compresión media.
- DRC 1 Se aplica la compresión máxima.

1. Pulse el botón de encendido para encender la radio.
2. Pulse el botón de banda para seleccionar la banda DAB.
3. Pulse el botón de configuración avanzada y gire el mando de volumen/control de sintonización/selección hasta que "DRC Value" (Valor DRC) aparezca en la pantalla. A continuación, pulse el mando de volumen/control de sintonización/selección para introducir el ajuste. La pantalla mostrará el valor DRC actual.
4. Gire el mando de volumen/control de sintonización/selección para seleccionar el ajuste DRC que desee.
5. Pulse el mando de volumen/control de sintonización/selección para confirmar el ajuste.

Escaneado – FM

1. Pulse el botón de encendido para encender la radio.
2. Seleccione la banda de ondas que desee pulsando el botón de banda. Para lograr la mejor recepción de FM, asegúrese de que la antena de varilla flexible esté bien colocada. Evite usar la radio cerca de una pantalla de ordenador y otros equipos que puedan causar interferencias en la radio.
3. Pulse el botón de sintonización automática. La radio buscará y se detendrá automáticamente cuando encuentre una emisora de radio. La radio seguirá buscando la siguiente emisora disponible a menos que el operario pulse el botón de sintonización automática para detener el escaneado.
4. Gire el mando de volumen/control de sintonización/selección para obtener el nivel de sonido que desee. La pantalla LCD mostrará los cambios de nivel de sonido.
5. Para apagar la radio, pulse el botón de encendido.

Zona de escaneado FM

Cuando se utiliza el modo FM, la radio puede configurarse para escanear las emisoras locales o todas las emisoras, incluidas las que se encuentran a mucha distancia.

1. Pulse el botón de encendido para encender la radio.
2. Presione el botón de banda para seleccionar la banda FM.
3. Presione el botón de ajustes avanzados y a continuación gire el control de volumen/sintonización/selección hasta que en pantalla se muestre "FM Scan Zone". Presione el control de volumen/sintonización/selección para entrar a los ajustes.
4. Gire el control de volumen/sintonización/selección para cambiar entre las opciones "Local" (solo emisoras fuertes) o "Distant" (todas las emisoras) en la línea inferior de la pantalla. La opción "Distant" permitirá a

la radio encontrar señales más débiles al realizar el escaneo.

5. Presione el control de volumen/sintonización/selección para confirmar la selección. El ajuste de "Local" o "Distant" se guarda en la radio y permanece en vigencia hasta que se cambie o se restablezca el sistema.

Sintonización manual – FM

1. Pulse el botón de encendido para encender la radio.
2. Pulse el botón de banda para seleccionar la banda de onda que desee. Ajuste la antena tal y como se ha descrito anteriormente.
3. Al girar el mando de volumen/control de sintonización/selección la frecuencia cambiará en los incrementos siguientes: FM: 50 KHz

Nota:

Para usar el mando de volumen/control de sintonización/selección a fin de encontrar la emisora que desee, presione el mando de volumen/control de sintonización/selección para cambiar al modo de control de sintonización.

4. Siga girando el mando de volumen/control de sintonización/selección hasta que se muestre en pantalla la frecuencia que desee.
5. Gire el mando de volumen/control de sintonización/selección para obtener el nivel de sonido que desee.
6. Para apagar la radio, pulse el botón de encendido.

Modos de visualización – FM (RDS)

La radio tiene diferentes opciones de visualización para el modo de radio FM:

Presione repetidamente el botón de información para ver la información RDS (Sistema de datos por radio) de la emisora que está escuchando.

- | | |
|---|--|
| a. Program station (Emisora de programa) | Indica el nombre de la emisora que se está escuchando. |
| b. Frequency (Frecuencia) | Indica la frecuencia de la señal FM. |
| c. Radio text (Texto de radio) | Indica un mensaje de texto, tales como nuevos elementos, etc. |
| d. Program type (Tipo de programa) | Indica el tipo de emisora que se está escuchando, por ejemplo, Pop, Classic, News (Pop, Clásica, Noticias), etc. |
| e. Time & date (Fecha y hora) | Indica la hora y la fecha actuales. |

Almacenamiento de emisoras en presintonías (DAB y FM)

Existen 5 presintonías para cada banda de frecuencia.

1. Pulse el botón de encendido para encender la radio.

2. Sintonice la emisora que desee mediante uno de los métodos descritos previamente.
3. Mantenga pulsado el botón de presintonía que desee hasta que el número de la presintonía aparezca en la pantalla, por ejemplo, "P2 Saved" (P2 guardado). La emisora se guarda en el botón de presintonía seleccionada.
4. Repita este procedimiento para las presintonías restantes.
5. Las emisoras guardadas en presintonías en memoria se pueden sobrescribir mediante los procedimientos anteriores.

Recuperación de emisoras en presintonías (DAB y FM)

1. Pulse el botón de encendido para encender la radio.
2. Pulse el botón de banda para seleccionar la banda de onda que desee.
3. Pulse el botón de presintonía que desee momentáneamente. El número de presintonía y la frecuencia de la emisora aparecerán en la pantalla.

ESCUCHAR MÚSICA A TRAVÉS DE TRANSMISIÓN BLUETOOTH

Antes de poder enlazarse automáticamente para reproducir/transmitir música Bluetooth a través de la radio, necesita vincular su dispositivo Bluetooth con la radio. La vinculación crea un "vínculo" para que dos dispositivos se reconozcan mutuamente.

Nota:

Para tener una mejor calidad de sonido, recomendamos que ajuste el volumen en su dispositivo Bluetooth a más de dos tercios y a continuación, ajuste el volumen en la radio como necesite.

Pairing your Bluetooth device for the first time

1. Presione el botón de encendido para encender la radio. Presione el botón de banda para seleccionar el modo Bluetooth. El indicador Bluetooth en los botones de presintonías parpadeará en color azul para mostrar que la radio es visible.
2. Active el Bluetooth de su dispositivo según su manual del usuario para enlazar con la radio. Localice la lista de dispositivos Bluetooth y seleccione el que lleve por nombre "DMR112". Algunos dispositivos móviles (equipados con versiones de Bluetooth anteriores a la BT2.1), puede que sea necesario introducir la contraseña "0000".
3. Una vez conectado, habrá un tono de confirmación y el indicador de Bluetooth en los botones de presintonías permanecerá encendido en color azul. Seleccione

- y reproduzca cualquier música desde su dispositivo fuente. El control de volumen se puede ajustar desde su dispositivo fuente o directamente desde la radio.
4. Use los controles de su dispositivo con función de Bluetooth o los de la radio para reproducir/dejar en pausa y navegar por las pistas.

Nota:

1. Si dos dispositivos Bluetooth, vinculándose por primera vez, buscan la radio, este se mostrará disponible para ambos dispositivos. Sin embargo, si un dispositivo se enlaza con esta unidad primero, entonces el otro dispositivo Bluetooth no lo encontrará en la lista.
2. Si su dispositivo Bluetooth se desconecta temporalmente de su radio, entonces, deberá reconectar su dispositivo a la radio de forma manual.
3. Si "DMR112" aparece en la lista de su dispositivo Bluetooth, pero no puede conectarse a él, borre el elemento de la lista y vincule de nuevo el dispositivo con la radio, siguiendo los pasos descritos anteriormente.
4. El rango óptimo de transmisión Bluetooth es de aproximadamente 10 metros (30 pies) (campo visual) a la radio, pero una distancia de hasta 30 metros (100 pies) es posible.
5. Si se pierde la conexión Bluetooth debido a un exceso del tiempo de separación, de la distancia óptima, obstáculos u otros motivos, puede que sea necesario volver a conectar el dispositivo con la radio.
6. Objetos físicos, otros dispositivos inalámbricos o dispositivos electromagnéticos pueden afectar la calidad de la conexión.
7. La capacidad de la conectividad Bluetooth podría variar dependiendo del dispositivo Bluetooth que se haya conectado. Por favor, consulte las especificaciones Bluetooth de su dispositivo antes de conectarlo a su radio. Puede que no todas las funciones estuvieran disponibles en algunos dispositivos Bluetooth.

Reproducción de archivos de audio en el modo Bluetooth

Cuando haya conectado su radio con el dispositivo Bluetooth que haya elegido, ya podrá comenzar a reproducir su música usando los controles del dispositivo Bluetooth al que se haya conectado.

1. Una vez que la reproducción haya comenzado, ajuste el volumen al nivel deseado usando los botones de volumen en su radio o en su dispositivo Bluetooth.
2. Use los controles en su dispositivo para reproducir, pausar y navegar por las pistas.

Tenga en cuenta:

1. Que puede que no todos los reproductores o dispositivos respondan a todos los controles.
2. Algunos teléfonos móviles puede que se desconecten temporalmente de su radio al realizar o recibir

llamadas. Algunos dispositivos puede que silencien temporalmente su transmisión de audio por Bluetooth cuando reciben mensajes de texto, correos electrónicos o por otros motivos ajenos a la transmisión de audio. Ese comportamiento es una función del dispositivo conectado y no indica un fallo en su radio.

Playing a previously-paired Bluetooth source device

DMR112 puede memorizar hasta 8 dispositivos emparejados. Cuando la memoria exceda esta cantidad, el primero de los dispositivos emparejados será sobrescrito. Si su dispositivo Bluetooth hubiera sido emparejado con la radio anteriormente, la unidad memorizará su dispositivo Bluetooth e intentará reconectarse con el dispositivo de la memoria con el que se conectó por última vez. Si el último dispositivo con el que se conectó no estuviera disponible, la radio será reconocible.

Desconexión de su dispositivo Bluetooth

Mantenga presionado el botón de vinculación Bluetooth durante 2-3 segundos para desconectarse del dispositivo Bluetooth. El indicador Bluetooth en los botones de presintonías parpadeará en color azul para indicar que la radio está disponible de nuevo para la vinculación.

TOMA DE ENTRADA AUXILIAR

Se proporcionan dos tomas de entrada auxiliar estéreo de 3,5 mm. Una está en la parte delantera de la radio (entrada auxiliar 1) y la otra en el compartimento de la batería (entrada auxiliar 2).

1. Conecte una fuente de audio externa (por ejemplo un iPod o un reproductor de MP3 o CD) a la toma de entrada auxiliar mediante un cable de audio.
2. Presione y suelte repetidamente el botón de banda hasta que se muestre "AUX IN 1" o "AUX IN 2". A continuación la función auxiliar se activará.
3. Para tener una mejor calidad de sonido, recomendamos poner el volumen a más de dos tercios en su dispositivo de audio y a continuación, ajustar el volumen de la radio según necesite.

NOTA:

El cable de audio no está incluido como accesorio estándar.

OTRAS CONFIGURACIONES

Opciones de idioma

La radio dispone de ocho opciones de idioma: Inglés, alemán, italiano, francés, neerlandés, danés, noruego y español.

1. Pulse el botón de configuración avanzada.
2. Gire el mando de volumen/control de sintonización/selección hasta que se muestre en pantalla "Language" (Idioma). Pulse el mando de volumen/control de sintonización/selección para seleccionar el ajuste.
3. Gire el mando de volumen/control de sintonización/selección para elegir el idioma que desee. Pulse el mando de volumen/control de sintonización/selección para confirmar el ajuste.

Control del brillo

El botón de luz se puede ajustar.

1. Pulse el botón de configuración avanzada.
2. Gire el control de volumen/sintonización/selección hasta que "Botón de luz" se muestre en pantalla. Presione el control de volumen/sintonización/selección para entrar a los ajustes.
3. Gire el control de volumen/sintonización/selección para elegir "On" (encendido) o "Off" (apagado) para activar o desactivar la función de botón de luz. A continuación, presione el control de volumen/sintonización/selección para confirmar los ajustes.

Reinicialización del sistema

Si la radio no funciona correctamente, o si faltan algunos dígitos de la pantalla o están incompletos, siga este procedimiento.

1. Pulse el botón de configuración avanzada.
2. Gire el mando de volumen/control de sintonización/selección hasta que se muestre en pantalla "Factory Reset" (Restablecimiento de valor de fábrica). Pulse el mando de volumen/control de sintonización/selección para seleccionar el ajuste.
3. Gire el mando de volumen/control de sintonización/selección para elegir "Yes" (Sí). Pulse el mando de volumen/control de sintonización/selección para confirmar el ajuste. Se realizará una reinicialización completa.

Versión de software

1. Pulse el botón de configuración avanzada.
2. Gire el mando de volumen/control de sintonización/selección hasta que se muestre en pantalla "SW Version" (Versión de software). Pulse el mando de volumen/control de sintonización/selección para ver la versión de software instalada en la radio.

Puerto micro USB para actualización de software

En un futuro es posible que haya disponibles actualizaciones de software.

A medida que las actualizaciones de software vayan estando disponibles, en el **sitio web de Makita** encontrará el software y la información necesaria para

actualizar la radio.

MANTENIMIENTO

⚠ PRECAUCIÓN:

Nunca utilice gasolina, benceno, disolvente, alcohol o un producto similar. Se puede provocar una decoloración, una deformación o grietas.

ESPECIFICACIONES

| Requisitos de alimentación | |
|------------------------------|---|
| Adaptador de alimentación CA | DC 12 V 1,2A, clavija central positiva |
| Batería | Batería de clúster: 7,2 V - 10,8 V Batería deslizando: 10,8 V - 18 V |
| Cobertura de frecuencias | FM 87,50 - 108 MHz DAB/DAB+ 174,928-239,200 MHz |
| Bloqueo de canales DAB/DAB+ | DAB (Band III) 5A-13F |
| Estándar compatible | DAB/DAB+ |

| Bluetooth® | |
|---|--|
| (La palabra Bluetooth® y los logotipos son marcas comerciales registradas propiedad de Bluetooth SIG, Inc.) | |
| Versión de Bluetooth | 4,0 |
| Perfiles Bluetooth | A2DP/SCMS-T |
| Alimentación de transmisión | Power Class2 |
| Alcance de transmisión | Óptima: 10 metros máximo (33 pies) Posible: 30 metros máximo (100 pies) (varía en función de las condiciones de uso) |
| Códec admitido | SBC,AAC |
| Perfil Bluetooth compatible | A2DP |
| Potencia máxima de radiofrecuencia: | BT EDR: 3,12dBm BT LE: 2,31dBm |
| Frecuencia de funcionamiento | 2402MHz-2480MHz |

| Característica del circuito | |
|------------------------------------|--|
| Altavoz | 3,5 pulgadas 32 ohms x 2 |
| Alimentación de salida | 7,2 V: 0,6 W X 2 12V máx: 1,7 W X 2 14,4 V: 3 W X 2 18 V: 4,9 W X 2 |
| Terminal de entrada | 3,5 mm diámetro (AUX IN1/AUX IN2) |
| Sistema de antena | DAB/FM: antena de varilla flexible |
| Dimensiones (Largo x Ancho x Alto) | 282 x 163 x 294 mm |
| Peso | 4,3KG (sin batería) |

PORTUGUÊS (Instruções de origem)

EXPLICAÇÃO DO ASPETO GERAL (Fig. 1~5)

1. Antena flexível de haste regulável
2. Puxador do compartimento da bateria
3. Pega
4. Tapa do compartimento da bateria (cobre a bateria)
5. Tomada DC IN
6. Coluna de som
7. Botão de alimentação
8. Botão de banda
9. Botão de definição avançada
10. Botão de informação
11. Predefinição 2-5
12. Botão de sintonização automática
13. Manipulo de Volume/Comando Sintonização/ Seletor
14. Porta da fonte de alimentação USB
15. AUX IN 1
16. Predefinição 1/Botão de emparelhamento Bluetooth
17. Visor LCD
18. Terminal de entrada (AUX IN 2)
19. Compartimento da bateria
20. Porta micro-USB para atualização de software
21. Cartucho da bateria

SÍMBOLOS

O seguinte mostra os símbolos usados para o equipamento. Certifique-se que compreende o seu significado antes de usar.



Leia o manual de instruções.



Apenas para países da UE

Não descarte o equipamento eletrónico ou pilhas juntamente com o lixo doméstico!

Em conformidade com as Diretivas Europeias, sobre os Resíduos de Equipamentos Eléctricos e Electrónicos e Baterias e Acumuladores e Resíduos de Pilhas e Acumuladores e a sua implementação de acordo com as leis nacionais, equipamentos eléctricos e baterias e pilhas gastas devem ser recolhidas separadamente e devolvidas para uma instalação de reciclagem compatível com o meio ambiente.

SEGURANÇA IMPORTANTE INSTRUÇÕES

⚠️ ADVERTÊNCIA:

Quando utiliza ferramentas eléctricas, deve seguir sempre as precauções de segurança básicas para reduzir o risco de incêndio, choque eléctrico e danos pessoais, incluindo o seguinte:

1. Leia cuidadosamente o manual de instruções e o manual de instruções do carregador antes de usar.
2. Limpe apenas com um pano seco.
3. Não instale o aparelho junto de fontes de calor como radiadores, registos de calor, fogões ou outros aparelhos (incluindo amplificadores) que produzam calor.
4. Utilize apenas as ligações/acessórios especificados pelo fabricante.
5. Desligue este aparelho quando houver trovoadas ou quando não seja usado por um longo período de tempo.
6. Um rádio a bateria com bateria integrada ou uma bateria separada tem de ser recarregado apenas com o carregador especificado para a bateria. Um carregador que pode ser adequado para um tipo de bateria pode criar um risco de incêndio quando utilizado com outra bateria.
7. Utilize o rádio a bateria apenas com baterias especificamente concebidas. A utilização de qualquer outra bateria pode criar um risco de incêndio.
8. Quando o conjunto da bateria não se encontra a uso, mantenha-o afastado de outros objetos de metal como: clips de papel, moedas, chaves, pregos, parafusos, ou outros objetos pequenos de metal que possam fazer a ligação entre dois terminais. Colocar em curto-circuito os terminais da bateria pode causar faíscas, queimaduras ou um incêndio.
9. Evitar contacto do corpo com superfícies ligadas à terra como tubos, radiadores, fogões e frigoríficos. Há um risco acrescido de choque eléctrico se o corpo estiver ligado à terra.
10. Em condições de mau uso, poderá ser ejetado líquido da bateria, evite o contacto. Se ocorrer um contacto accidental, lave abundantemente com água. Se o líquido entrar em contacto com os olhos, procure também ajuda médica. O líquido ejetado da bateria pode causar irritação ou queimaduras.
11. Não utilize uma bateria ou ferramenta danificada ou modificada. Baterias danificadas ou modificadas podem exibir comportamentos imprevisíveis que resultam em incêndio, explosão ou risco de ferimentos.
12. Não exponha uma bateria ou ferramenta ao fogo ou temperatura excessiva. A exposição ao fogo ou a temperatura acima de 130°C pode provocar uma explosão.
13. Siga todas as instruções de carregamento e não carregue a bateria ou a ferramenta fora do intervalo de temperatura especificado nas instruções. Carregar

incorretamente ou em temperaturas fora do intervalo especificado pode danificar a bateria e aumentar o risco de incêndio.

14. A ficha do CABO PRINCIPAL é usada para desligar o aparelho e permanecerá pronta a operar.
15. Não utilize o produto com o volume alto em nenhuma circunstância. Para evitar danos auditivos, utilize o produto com um nível de volume moderado.
16. (Apenas para produtos com visor LCD) Os visores LCD incluem líquidos que podem causar irritação e envenenamento. Se o líquido entrar nos olhos, na boca ou na pele, enxaguar com água e chamar um médico.
17. Não exponha o produto à chuva ou em condições húmidas. A entrada de água no produto aumentará o risco de choque elétrico.
18. Este produto não está destinado a ser utilizado por pessoas (incluindo crianças) com capacidades físicas, sensoriais ou mentais reduzidas, ou falta de experiência e conhecimento, a menos que tenham sido supervisionadas ou instruídas sobre o uso do produto por uma pessoa responsável pela sua segurança. As crianças devem ser supervisionadas para garantir que elas não brincam com o produto. Armazene o produto fora do alcance das crianças.

GUARDE ESTAS INSTRUÇÕES

NORMAS DE SEGURANÇA ESPECÍFICAS

PARA O CARTUCHO DA BATERIA

1. Antes de usar o cartucho da bateria, leia todas as instruções e marcas de advertência no (1) carregador da bateria, (2) bateria e (3) produto que usa a bateria.
2. Não desmonte o cartucho da bateria.
3. Se o período de funcionamento se tornar excessivamente curto, pare imediatamente o funcionamento. Pode provocar um risco de sobreaquecimento, possíveis queimaduras ou mesmo explosão.
4. Se o eletrólito entrar para os olhos, lave-os com água limpa e procure um médico imediatamente. Pode originar perda de visão.
5. Não faça curto circuito com a bateria:
 - 1) Não toque nos terminais com qualquer material condutor.
 - 2) Evite guardar o cartucho da bateria num recipiente com outros objetos de metal como pregos, moedas, etc.
 - 3) Não exponha o cartucho de bateria à água ou à chuva. Um curto circuito na bateria pode causar um grande fluxo de corrente, sobreaquecimento, possíveis queimaduras e mesmo avaria.
6. Não guarde a ferramenta e o cartucho da bateria em locais em que a temperatura possa chegar ou

ultrapassar os 50 °C (122°F)

7. Não incinere o cartucho da bateria mesmo que se encontre muito danificado ou esteja completamente gasto. O cartucho da bateria pode explodir num incêndio.
8. Tenha cuidado para não deixar cair a bateria ou bater com a bateria.
9. Não use uma bateria danificada.
10. Para evitar riscos, o manual de substituição da bateria deve ser lido antes de usar. E a corrente de descarga máxima da bateria deve ser maior ou igual a 8A.
11. As baterias que contêm íons de lítio estão sujeitas aos requisitos da Legislação de Mercadorias Perigosas. Para transportes Comerciais, por exemplo, por terceiros, agentes de encaminhamento, requisitos especiais de embalagem e rotulagem devem ser observados. Para a preparação do item que está a ser enviado, é necessário consultar um especialista em materiais perigosos. Observe também as regulamentações nacionais mais detalhadamente. Fita ou cubra os contatos abertos e arrume a bateria de tal maneira que não pode se mover na embalagem.
12. Siga as regulamentações locais relativas à eliminação da bateria.
13. Use as baterias apenas com os produtos especificados pela Makita. A instalação das baterias em produtos não conformes pode resultar em incêndio, superaquecimento, explosão ou vazamento de eletrólito.

⚠ CUIDADO:

- **Perigo de explosão se a bateria for substituída incorretamente.**
- **Substitua apenas pelo mesmo tipo ou equivalente.**
- **utilize apenas baterias Makita genuínas. O uso de baterias Makita não genuínas, ou baterias que tenham sido alteradas, pode resultar na explosão da bateria causando incêndios, danos pessoais e materiais. Também anulará a garantia da Makita para a ferramenta Makita e o carregador.**

Conselhos para a manutenção prolongada da bateria

1. Carregue o cartucho da bateria antes de estar completamente descarregado. Pare sempre o funcionamento da ferramenta e carregue o cartucho da bateria quando notar uma menor potência da ferramenta.
2. Nunca recarregue um cartucho de bateria completamente carregado. O sobrecarregamento diminui a duração da bateria.
3. Carregue o cartucho da bateria à temperatura ambiente entre 10 °C e 40 °C (50 °F e 104 °F). Deixe que o cartucho da bateria quente arrefeça antes de o carregar.
4. Carregue o cartucho da bateria se não o usar por um longo período de tempo (mais de seis meses).

TEMPO DE FUNCIONAMENTO

* A tabela seguinte indica o tempo de funcionamento com um único carregamento.

| Capacidade da bateria | Tensão da bateria | | | | | SAÍDA ALTIFALANTE = 100mW Unidade: Hora (Aproximadamente) | |
|-----------------------|-------------------|--------|--------------------|-------------------|-------------------|--|--|
| | 7,2 V | 10,8 V | 10,8 V – 12Vmáx | 14,4 V | 18 V | Em rádio ou AUX | Em rádio com carregamento USB (1,0A) |
| 1,0 Ah | BL7010 | | | | | 5,0 | 0,7 |
| 1,3 Ah | | BL1013 | | | | 7,0 | 0,9 |
| | | | | BL 1415 | | 5,5 | 1,7 |
| | | | | | BL1815 | 6,0 | 1,9 |
| 1,5 Ah | BL0715 | | | | | 7,5 | 1,0 |
| | | | BL1015 BL1016 | | | 8,5 | 1,7 |
| | | | | BL1415N | | 7,0 | 2,0 |
| | | | | | BL1815N | 7,5 | 2,0 |
| 2,0 Ah | | | BL1020B BL1021B | | | 11 | 2,0 |
| | | | | | BL1820 BL1820B | 10 | 3,0 |
| 3,0 Ah | | | | BL1430 BL1430B | | 12 | 3,5 |
| | | | | | BL1830 BL1830B | 14 | 4,0 |
| 4,0 Ah | | | BL1040B BL1041B | | | 21 | 4,0 |
| | | | | BL1440 | | 19 | 5,5 |
| | | | | | BL1840 BL1840B | 20 | 6,0 |
| 5,0 Ah | | | | BL1450 | | 23 | 6,5 |
| | | | | | BL1850 BL1850B | 26 | 8,0 |
| 6,0 Ah | | | | BL1460B | | 25 | 7,5 |
| | | | | | BL1860B | 31 | 9,5 |

□ : Bateria de grupo □ : Bateria de deslize

⚠ AVISO:

Utilize apenas as baterias listadas acima. O uso de qualquer outra bateria pode causar ferimentos e/ou incendiar.

Nota:

A tabela relativa ao tempo de operação da bateria acima é para referência. O tempo de operação real pode diferir com o tipo de bateria, condição de carregamento ou ambiente de utilização.

INSTALAÇÃO E FONTE DE ALIMENTAÇÃO

⚠ CUIDADO:

- Tenha cuidado para não entalar os dedos ao abrir e fechar a tampa da bateria.
- Volte a colocar o compartimento da bateria na posição original, após instalar ou remover a bateria. Caso contrário, a bateria pode cair acidentalmente do rádio e causar ferimentos a si ou em alguém que esteja perto de si.
- Feche e tranque sempre o compartimento da bateria antes de mover o rádio.
- Desligue sempre o rádio antes de instalar ou remover a bateria.
- Tenha cuidado para não deixar cair ou dar uma pancada no rádio. Se o cartucho partir pode cortar o dedo ou o corpo. Rádio danificado pode exibir um comportamento imprevisível e resultar em incêndio, explosão ou risco de lesão.

IMPORTANTE:

- Potência reduzida, distorção, som intermitente ou quando "POWERFAIL" aparecer no visor são sinais em que a bateria principal precisa de ser substituída.
- A bateria não pode ser carregada por meio do adaptador de alimentação CA fornecido.
- A bateria não está incluída como acessório padrão.

Instalar ou retirar a bateria de deslize (Fig. 2 & 3)

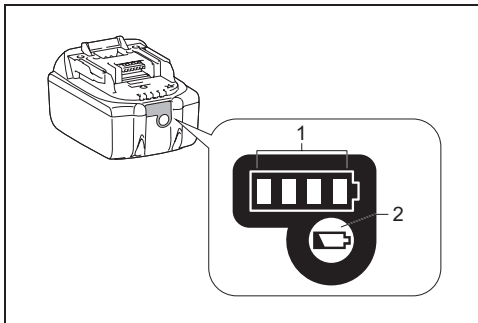
1. Para colocar a bateria, alinhe a respetiva saliência com a calha do compartimento e encaixe-a suavemente. Insira-a completamente até fixar em posição com um clique.
2. Se ainda estiver visível o indicador vermelho na parte superior do botão, não estará bem encaixado. Coloque-a completamente, até deixar de ver o indicador vermelho. Caso contrário, pode cair do rádio e causar ferimentos em si, ou em alguém que esteja perto de si.
3. Não exerça força ao introduzir a bateria. Se não encaixar facilmente é porque não está corretamente posicionada.
4. Para remover a bateria, deslize-a do rádio enquanto desliza o botão da frente da bateria.

Instalar ou retirar a bateria de grupo (Fig. 4 & 5)

1. Para colocar a bateria, alinhe a respetiva saliência com a calha do compartimento e encaixe-a suavemente.
2. Para retirar a bateria, retire-a do terminal e, ao mesmo tempo, prima os botões na parte lateral da mesma.

Indicar a carga restante da bateria

* Apenas para baterias com "B" no final do número de modelo.



➤ 1. Lâmpadas do indicador 2. Botão de verificação

Prima o botão de verificação na bateria para indicar a carga restante da bateria. As lâmpadas indicadoras acendem-se durante alguns segundos.

• Baterias de 14.4V/18V

| Lâmpadas indicadoras | | | Capacidade restante |
|----------------------|-----------|----------|-------------------------------|
| Aceso | Desligado | A Piscar | |
| ■ | □ | ◐ | 75% ~ 100% |
| ■ | ■ | □ | 50% ~ 75% |
| ■ | □ | □ | 25% ~ 50% |
| ■ | □ | □ | 0% ~ 25% |
| ◐ | □ | □ | Carregue a bateria |
| ■ | ■ | □ | A bateria pode estar avariada |
| □ | □ | ■ | |

• Baterias de 10.8V-12V máx

| Lâmpadas indicadoras | | | Capacidade restante |
|----------------------|-----------|----------|---------------------|
| Aceso | Desligado | A Piscar | |
| ■ | ■ | ■ | 75% ~ 100% |
| ■ | ■ | □ | 50% ~ 75% |
| ■ | □ | □ | 25% ~ 50% |
| ■ | □ | □ | 0% ~ 25% |

NOTA:

Dependendo das condições de utilização e da temperatura ambiente, a indicação pode diferir ligeiramente da capacidade efetiva.

Utilizar a antena flexível de haste regulável (Fig. 1)

Endireite a antena flexível de haste regulável, conforme indicado na figura.

Utilizar o adaptador de alimentação CA fornecido

Remova o protetor de borracha e insira a ficha do adaptador na tomada DC no lado direito do rádio. Conecte o adaptador a uma tomada convencional. Sempre que o adaptador for usado, a bateria é desconectada automaticamente.

⚠ CUIDADO:

- **Desconecte sempre completamente o adaptador de alimentação CA antes de mover o rádio. Se o adaptador CA não for removido, pode causar um choque elétrico.**
- **Nunca puxe ou arraste o cabo do adaptador. Caso contrário, o rádio pode cair acidentalmente e causar danos a si ou em alguém que esteja perto de si.**

IMPORTANTE:

- A finalidade do adaptador é ser usado como meio de ligação entre o rádio e a rede elétrica. A tomada utilizada para o rádio deve permanecer acessível durante o uso normal.
- Para desconectar o rádio, o adaptador deve ser removido completamente da tomada.
- Utilizar o adaptador de alimentação CA fornecido com o produto ou especificado apenas pela Makita.
- Não segure o cabo de alimentação na boca. Pode causar choque elétrico.
- Não toque na ficha de alimentação com as mãos molhadas ou gordurosas.
- Cabos danificados ou emaranhados aumentam o risco de choque elétrico. Se o cabo estiver danificado, substitua-o no nosso centro de assistência autorizado por questões de segurança. Não utilize antes de o reparar.
- Após a utilização, armazene sempre o adaptador de alimentação CA fora do alcance das crianças. Se as crianças brincarem com o cabo, podem sofrer lesões.

Carregamento através da porta da fonte de alimentação USB

Existe uma porta USB na parte frontal do rádio. Pode carregar o dispositivo USB através da porta USB.

1. Ligue o dispositivo USB, como iPod, MP3 ou leitor de CD, com um cabo USB disponível comercialmente.
2. Prima o botão Alimentação para ligar o rádio.

3. Independentemente de o rádio ser alimentado por CA ou bateria, o rádio pode carregar o dispositivo USB quando o rádio é ligado e no modo de rádio FM/DAB, modo BT ou modo AUX, que aparece quando é ligada uma fonte de áudio externa.

Nota:

- O volume máximo do altifalante vai diminuir quando o USB está a carregar.
- A tomada USB pode proporcionar, no máximo, 1A 5V de corrente elétrica.

Importante:

- Antes de ligar o dispositivo USB à porta do USB, efetue sempre cópias de segurança dos dados do dispositivo USB. Caso contrário, os dados podem ser perdidos.
- O rádio pode não fornecer alimentação a alguns dispositivos USB.
- Quando não está em utilização ou após o carregamento, retire o cabo USB e feche a tampa.
- Não ligue a fonte de alimentação à porta USB. Caso contrário, existe um risco de incêndio. A porta USB só se destina a carregar dispositivos de tensão inferior. Coloque sempre a tampa na porta USB quando não estiver a carregar um dispositivo de tensão inferior.
- Não introduza um prego, arame, etc., na porta da fonte de alimentação USB. Caso contrário, um curto-circuito pode causar fumo e incêndios.
- Não ligue esta tomada USB à porta USB do computador, uma vez que é altamente possível que cause a avaria das unidades.

OUVIR RÁDIO

Este rádio tem três métodos de sintonia – pesquisa de sintonia, sintonia manual e chamada de pré-sintonias de memória.

Selecionar uma estação – DAB

1. Prima o botão de alimentação para ligar o rádio.
2. Selecione o modo DAB premindo o botão de banda.
3. Prima o botão de definição avançada e rode o manípulo de Volume/Comando Sintonização/Seletores até que a indicação “Station List” (Lista de estações) seja apresentada intermitentemente no ecrã. Prima o manípulo de Volume/Comando Sintonização/Seletores para entrar na lista de estações.
4. Rode o manípulo de Volume/Comando Sintonização/Seletores para percorrer a lista de estações disponíveis. Prima o manípulo para selecionar a estação.
5. Ajuste o volume pretendido rodando o manípulo de Volume/Comando Sintonização/Seletores.

Modos de apresentação – DAB

O rádio tem uma gama de opções de apresentação no modo DAB:

Prima o botão de informação para percorrer as várias

opções apresentadas nas letras que se seguem (a. a g.).

- | | |
|--|---|
| a. Station name (Nome da estação) | Indica o nome da estação que está a ouvir. |
| b. Program station (Tipo de estação) | Indica o tipo de estação que está a ouvir. Por exemplo, Pop, Clássicos, Notícias, etc. |
| c. Multiplex name (Nome do multiplex) | Indica o nome do multiplex DAB a que pertence a estação atual. |
| d. Time & date (Hora e data) | Indica a hora e data atuais. |
| e. Frequency and channel (Frequência e canal) | Indica a frequência e o número do canal para a estação DAB atualmente sintonizada. |
| f. Bit rate/Audio type (Taxa de bits/ Tipo de áudio) | Indica a taxa de bits de áudio digital e o tipo de áudio para a estação DAB atualmente sintonizada. |
| g. Signal strength (Força do sinal) | Indica a força do sinal para a estação DAB atualmente sintonizada. |

Encontrar novas estações – DAB

De vez em quando, podem ser disponibilizadas novas estações de rádio DAB. Ou pode mudar-se para outra região do país. Neste caso, pode ter de ativar o rádio para pesquisar novas estações.

Para que o rádio encontre as estações disponíveis, é recomendável realizar uma pesquisa completa de todas as frequências DAB Banda III.

1. Prima o botão de sintonização automática.
2. O rádio realiza uma pesquisa completa das frequências DAB. À medida que as novas estações são encontradas, o contador de estações no lado esquerdo do visor aumenta e as estações são adicionadas à lista.

Sintonia manual – DAB

A sintonização manual permite-lhe sintonizar o rádio para uma determinada frequência DAB na Banda III. Esta função também pode ser utilizada para auxiliar no posicionamento da antena ou do rádio, de modo a otimizar a receção para um canal ou frequência específicos.

1. Prima o botão de definição avançada e rode o manípulo de Volume/Comando Sintonização/Seletor até que a indicação "Manual Tune" (Sintonização Manual) seja apresentada no visor. Prima o manípulo de Volume/Comando Sintonização/Seletor para entrar no modo de sintonização manual.
2. Rode o manípulo de Volume/Comando Sintonização/Seletor para selecionar o canal DAB pretendido. Prima o manípulo de Volume/Comando Sintonização/Seletor para confirmar a frequência pretendida.

Configuração da ordem de estações – DAB

O rádio tem 3 definições de ordem de estações à escolha. As definições de ordem de estações são alfanumérica (alfanumérica), ensemble (conjunto) e valid (estação válida).

1. Prima o botão de definição avançada.
2. Rode o manípulo de Volume/Comando Sintonização/Seletor até que a indicação "Station order" (Ordem de estações) seja apresentada no visor e, de seguida, prima o manípulo de Volume/Comando Sintonização/Seletor para introduzir a definição.
3. Rode o manípulo de Volume/Comando Sintonização/Seletor para selecionar as opções que se seguem e prima o manípulo para confirmar a definição.

| | |
|--------------------------------|--|
| Alphanumeric (Alfanumérica) | Ordena a lista de estações alfanumericamente 0...9 A...Z |
| Ensemble (Conjunto) | Organiza a lista de estações por multiplex DAB |
| Valid (Estação válida) | Apresenta apenas as estações para as quais é possível encontrar um sinal |

Controlo de gama dinâmica (Dynamic Range Control, DRC) – DAB

A funcionalidade DRC pode fazer com que seja mais fácil ouvir os sons mais silenciosos quando o rádio for utilizado num ambiente ruidoso, reduzindo a gama dinâmica do sinal de áudio. Existem três níveis de compressão:

- | | |
|---------|------------------------------|
| DRC 0 | Nenhuma compressão aplicada. |
| DRC 1/2 | Compressão média aplicada. |
| DRC 1 | Compressão máxima aplicada. |

1. Prima o botão de alimentação para ligar o rádio.
2. Prima o botão de banda para selecionar a banda DAB.
3. Prima o botão de definição avançada e rode o manípulo de Volume/Comando Sintonização/Seletor até que a indicação "DRC Value" (Valor DRC) seja apresentada no visor. De seguida, prima o manípulo de Volume/Comando Sintonização/Seletor para introduzir a definição. O visor apresenta o valor DRC atual.
4. Rode o manípulo de Volume/Comando Sintonização/Seletor para selecionar a definição DRC pretendida.
5. Prima o manípulo de Volume/Comando Sintonização/Seletor para confirmar a definição.

Pesquisa de sintonia – FM

1. Prima o botão de alimentação para ligar o rádio.
2. Selecione a onda pretendida premindo o botão de banda. Certifique-se de que a antena flexível de haste regulável foi bem colocada para a melhor receção FM. Tente evitar utilizar o rádio perto de um ecrã de computador e outro equipamento que provoque interferências no rádio.
3. Prima o botão de sintonização automática para que o rádio pesquise e pare automaticamente quando

encontrar uma estação de rádio. O rádio continuará a pesquisar a estação disponível seguinte a não ser que o operador prima o botão de sintonização automática para parar a pesquisa.

4. Rode o manípulo de Volume/Comando Sintonização/ Seletor para obter o nível do som pretendido. O visor LCD mostra as alterações do nível do som.
5. Para desligar o rádio, prima o botão de alimentação.

Zona de pesquisa FM

Ao utilizar o modo FM, o rádio pode ser definido para pesquisar estações locais ou para pesquisar todas as estações, incluindo estações de rádio distantes.

1. Prima o botão de alimentação para ligar o rádio.
2. Prima o Botão de banda para selecionar a frequência FM.
3. Prima o Botão de definição avançada e, em seguida, gire o Manípulo de Volume/Comando Sintonização/ Seletor até que "FM Scan Zone" apareça no visor. Prima o Manípulo de Volume/Comando Sintonização/ Seletor para entrar na configuração.
4. Gire o Manípulo de Volume/Comando Sintonização/ Seletor para alternar entre as opções "Local" (apenas estações com sinal forte) e "Distante" (todas as estações) na linha inferior do visor. A opção Distante irá permitir que o rádio encontre sinais mais fracos ao sintonizar.
5. Prima o Manípulo de Volume/Comando Sintonização/ Seletor para confirmar a sua seleção. A configuração Local ou Distante é armazenada no rádio e permanece em vigor até ser alterada ou se o sistema for reiniciado.

Sintonia manual – FM

1. Prima o botão de alimentação para ligar o rádio.
2. Prima o botão de banda para selecionar a onda pretendida. Regule a antena como se descreve acima.
3. Rode o manípulo de Volume/Comando Sintonização/ Seletor para alterar a frequência com o incremento seguinte: FM: 50 kHz

Nota:

Para utilizar o manípulo de Volume/Comando Sintonização/Seletor para encontrar a estação pretendida, prima o manípulo de Volume/Comando Sintonização/Seletor para passar ao modo de controlo de sintonização.

4. Mantenha a rotação do manípulo de Volume/Comando Sintonização/Seletor até que a frequência pretendida seja apresentada no visor.
5. Rode o manípulo de Volume/Comando Sintonização/ Seletor para obter o nível do som pretendido.
6. Para desligar o rádio, prima o botão de alimentação.

Modos de apresentação – FM (RDS)

O rádio tem uma gama de opções de apresentação para

o modo de rádio FM:

Prima repetidamente o Botão de informação para visualizar as informações RDS (RÁDIO DO SISTEMA DE DADOS) da estação está a ouvir.

- | | |
|--------------------------------------|---|
| a. Program station (Tipo de estação) | Indica o nome da estação que está a ouvir. |
| b. Frequency (Frequência) | Indica a frequência do sinal FM. |
| c. Radio text (Mensagem de rádio) | Indica mensagens de texto, tais como novos itens, etc. |
| d. Program type (Tipo de programa) | Indica o tipo de estação que está a ouvir tal como Pop, Clássicos, Notícias, etc. |
| e. Time & date (Hora e data) | Indica a hora e data atuais. |

Memorizar estações em memórias predefinidas (DAB e FM)

Existem 5 memorizações para cada banda de onda.

1. Prima o botão de alimentação para ligar o rádio.
2. Sintonize a estação pretendida, usando um dos métodos anteriormente descritos.
3. Prima continuamente o botão de memorização pretendido até que o número de memorização seja apresentado no visor, por exemplo, "P2 Saved". A estação é depois memorizada no botão de memorização selecionado.
4. Repita este procedimento para as memorizações restantes.
5. As estações memorizadas podem ser substituídas seguindo os procedimentos descritos acima.

Chamar estações nas memórias predefinidas (DAB e FM)

1. Prima o botão de alimentação para ligar o rádio.
2. Prima o botão de banda para selecionar a onda pretendida.
3. Prima momentaneamente o botão de memorização pretendido. O número da memorização e a frequência da estação serão apresentadas no visor.

OUVIR MÚSICA A PARTIR DO SISTEMA BLUETOOTH

Precisa emparelhar o seu dispositivo Bluetooth com o rádio antes de poder se conectar automaticamente para reproduzir/transmitir música Bluetooth através do rádio. O emparelhamento cria uma "ligação" para que os dois dispositivos possam se reconhecer.

Nota:

Para obter a melhor qualidade de som, recomendamos configurar o volume para mais de dois terços no seu dispositivo Bluetooth e, em seguida, ajuste o volume no rádio conforme necessário.

Emparelhar o seu dispositivo Bluetooth pela primeira vez

1. Prima o Botão de alimentação para ligar o rádio. Prima o Botão de banda para seleccionar o modo Bluetooth. O indicador de Bluetooth nos Botões predefinidos pisca em azul para mostrar que o rádio pode ser detetável.
2. Ative o Bluetooth no seu dispositivo de acordo com o manual do utilizador do dispositivo para fazer a ligação ao rádio. Localize a lista de dispositivos Bluetooth e selecione o dispositivo designado 'DMR112.' Com alguns telemóveis (que estão equipados com versões anteriores ao dispositivo Bluetooth BT2.1), pode necessitar de introduzir a palavra-passe "0000".
3. Uma vez conectado, haverá um som de confirmação e o indicador de Bluetooth nos botões predefinidos permanecerá em azul. Agora pode simplesmente seleccionar e tocar qualquer música do seu dispositivo. O controlo de volume pode ser ajustado a partir do seu dispositivo, ou diretamente do rádio.
4. Use os controlos do seu dispositivo com Bluetooth ou do rádio para tocar/pausar e procurar faixas.

Nota:

1. Se 2 dispositivos Bluetooth, forem emparelhados pela primeira vez, ambos procuram o seu rádio, mostrando a sua disponibilidade em ambos os dispositivos. Porém, se um dispositivo se ligar a esta unidade primeiro, o outro dispositivo de Bluetooth não o encontrará na lista.
2. Se o dispositivo Bluetooth estiver temporariamente desligado do rádio, então necessita de religar manualmente o seu dispositivo de novo ao rádio.
3. Se aparecer 'DMR112' na sua lista de dispositivos Bluetooth mas o seu dispositivo não puder ligar-se ao mesmo, apague o item da sua lista e emparelhe, de novo, o dispositivo com o rádio seguindo os passos descritos previamente.
4. O melhor alcance de Bluetooth é de aproximadamente 10 metros (linha de visão) para o rádio, mas a distância de até 30 metros (100 pés) é possível.
5. Se a conexão Bluetooth for perdida devido ao tempo excedido de desconexão, a distância ideal foi ultrapassada, obstáculos ou outros, talvez seja necessário restabelecer a ligação entre o seu dispositivo e o rádio.
6. Obstáculos físicos, outros dispositivos sem fio ou dispositivos eletromagnéticos podem afetar a qualidade da conexão.
7. O desempenho da conectividade do Bluetooth pode variar dependendo dos dispositivos Bluetooth ligados. Consulte as capacidades de Bluetooth do seu dispositivo antes de o ligar ao rádio. Nem todas as funcionalidades são suportadas nalguns dispositivos Bluetooth emparelhados.

Tocar ficheiros áudio em Modo Bluetooth

Depois de ter ligado com sucesso o seu rádio ao dispositivo Bluetooth escolhido pode começar a tocar a sua música usando os controlos do dispositivo Bluetooth ligado.

1. Depois de começar a tocar ajuste o volume de acordo com o desejado, usando os botões de volume do seu rádio, ou os do dispositivo com capacidade Bluetooth.
2. Use os controlos do seu dispositivo para tocar/pausar e procurar faixas.

Nota:

1. Nem todas as aplicações do aparelho ou dispositivo respondem a estes controlos.
2. Alguns telemóveis podem ficar temporariamente desligados do rádio quando faz ou recebe chamadas. Alguns dispositivos podem silenciar temporariamente o streaming áudio do Bluetooth quando recebem mensagens de texto, emails, ou por outras razões não relacionadas com o streaming áudio. Esse comportamento é uma função do dispositivo ligado e não indica uma avaria no seu rádio.

Reproduzir um dispositivo Bluetooth previamente emparelhado

O seu rádio pode memorizar até 8 conjuntos de dispositivos emparelhados, quando a memória excede este valor, o histórico do emparelhamento mais antigo será substituído. Se o seu dispositivo Bluetooth já tiver sido emparelhado anteriormente com o rádio, a unidade memorizará o seu dispositivo Bluetooth e esta tenta restabelecer a ligação com um dispositivo na memória que tenha sido ligado da última vez. Se o último dispositivo ligado não estiver disponível, o rádio fica disponível.

Desligar o Dispositivo Bluetooth

Prima e segure o botão de emparelhamento Bluetooth durante 2-3 segundos para desconectar o seu dispositivo Bluetooth. O indicador de Bluetooth nos botões predefinidos pisca em azul, indicando que o rádio está novamente detetável para o emparelhamento.

ENTRADA AUXILIAR

Duas Entradas auxiliares estéreo de 3,5 mm são fornecidas. Uma está na frente do rádio (AUX IN 1); a outra está localizada no compartimento da bateria (AUX IN 2).

1. Conecte uma fonte de áudio externa (por exemplo, iPod, MP3 ou Leitor de CDs) na entrada auxiliar pelo cabo de áudio.
2. Prima repetidamente e solte o botão de banda até que "AUX IN 1" ou "AUX IN 2" seja exibido e, em seguida,

a função AUX está ativada.

3. Para obter a melhor qualidade de som, recomendamos que ajuste o volume para mais de dois terços no seu dispositivo de áudio e ajuste o volume no rádio, conforme o necessário.

NOTA:

O cabo de áudio não está incluído como acessório padrão.

CONFIGURAÇÕES DIVERSAS

Opções de idioma

Estão disponíveis oito opções de idioma no rádio:

Inglês, Alemão, Italiano, Francês, Holandês, Dinamarquês, Norueguês e Espanhol.

1. Prima o botão de definição avançada.
2. Rode o manípulo de Volume/Comando Sintonização/ Seletor até que a indicação "Language" (Idioma) seja apresentada no visor. Prima o manípulo de Volume/ Comando Sintonização/Seletor para introduzir a definição.
3. Rode o manípulo de Volume/Comando Sintonização/ Seletor para selecionar o idioma pretendido. Prima o manípulo de Volume/Comando Sintonização/Seletor para confirmar a definição.

Controlo do brilho

A Luz do fundo pode ser ajustada.

1. Prima o botão de definição avançada.
2. Gire o manípulo de Volume/Comando Sintonização/ Seletor até "Light Button" aparecer no visor. Prima o manípulo de Volume/Comando Sintonização/Seletor entrar na configuração
3. Gire o manípulo de Volume/Comando Sintonização/ Seletor para selecionar "On" ou "Off" para ativar ou desativar a função da luz do fundo, depois prima o manípulo de Volume/Comando Sintonização/Seletor para confirmar a configuração.

Reiniciação do sistema

Se o rádio não funcionar corretamente, ou se alguns dígitos no visor estiverem em falta ou incompletos, efetue o procedimento seguinte.

1. Prima o botão de definição avançada.
2. Rode o manípulo de Volume/Comando Sintonização/ Seletor até que a indicação "Factory Reset" (Reposição de fábrica) seja apresentada no visor. Prima o manípulo de Volume/Comando Sintonização/Seletor para introduzir a definição.
3. Rode o manípulo de Volume/Comando Sintonização/ Seletor para selecionar "Yes". Prima o manípulo de Volume/Comando Sintonização/Seletor para confirmar a definição e realizar uma reposição total.

Versão de software

1. Prima o botão de definição avançada.
2. Rode o manípulo de Volume/Comando Sintonização/ Seletor até que a indicação "SW Version" (Versão de software) seja apresentada no visor. Prima o manípulo de Volume/Comando Sintonização/Seletor para ver qual é a versão de software instalada no rádio.

Porta Micro USB para atualização do software

No futuro, poderão ser disponibilizadas atualizações de software para o rádio.

À medida que as atualizações de software ficam disponíveis, o software disponível e as informações sobre como atualizar o rádio podem encontrar-se no **website da Makita**.

MANUTENÇÃO

⚠ PRECAUÇÃO:

Nunca utilize gasolina, benzina, diluente, álcool ou semelhante. Podem formar-se descolorações, deformações ou fissuras.

ESPECIFICAÇÕES

| Requisitos de alimentação | |
|-----------------------------|---|
| Adaptador de alimentação CA | CC12 V 1,2A, pino central positivo |
| Pilhas | Bateria de grupo: 7,2 V - 10,8 V Bateria de deslize: 10,8 V - 18 V |
| Cobertura de frequências | FM 87,50 - 108 MHz DAB/DAB+ 174,928-239,200 MHz |
| Bloqueio de canais DAB/DAB+ | DAB (Banda III) 5A-13F |
| Norma compatível | DAB/DAB+ |

| Bluetooth® | |
|---|--|
| (A marca e o logótipo Bluetooth® são marcas comerciais registadas da Bluetooth SIG, Inc.) | |
| Versão de Bluetooth | 4,0 |
| Perfis de Bluetooth | A2DP/SCMS-T |
| Potência de transmissão | Classe de Potência 2 |
| Intervalo de transmissão | Ótimo: Máx. 10 metros (33 pés) Possível: Máx. 30 metros (100 pés) (varia de acordo com as condições de utilização) |
| Codec suportado | SBC,AAC |
| Perfil Bluetooth compatível | A2DP |
| Potência máxima de radiofrequência: | BT EDR: 3,12dBm BT LE: 2,31dBm |
| Frequência de operação | 2402MHz~2480MHz |

| Característica de circuito | |
|----------------------------|--|
| Altifalante | 3,5 polegadas 32 ohm x 2 |
| Potência de saída | 7,2 V: 0,6 W X 2 12V máx: 1,7 W X 2 14,4 V: 3 W X 2 18 V: 4,9 W X 2 |
| Terminal de entrada | 3,5 mm diâ. (AUX IN1/AUX IN2) |
| Sistema de antena | DAB/FM: antena flexível de haste regulável |
| Dimensões (C x L x A) | 282 × 163 × 294 mm |
| Peso | 4,3KG (sem bateria) |

FORKLARING AF GENEREL OVERSIGT (Fig. 1~5)

1. Blød drejbar stangantenne
2. Batterium
3. Håndtag
4. Batteriumdæksel (batteripatron dæksel)
5. DC indgangsstik
6. Højtaler
7. Tænd-/sluk-knap
8. Bånd-knap
9. Knap til avancerede indstillinger
10. Info-knap
11. Forudindstilling 2-5
12. Knap til automatisk valg af frekvens
13. Lydstyrke/frekvensjustering/valgknap
14. USB-strømforsyningsport
15. AUX IN 1
16. Forudindstilling 1 /Bluetooth-parringsknap
17. LCD-display
18. Indgangsterminal (AUX IN 2)
19. Batterium
20. Mikro USB-port til softwareopgradering
21. Batteri

SYMBOLER

I det efterfølgende vises de symboler, der anvendes for udstyret. Sørg for at du forstår deres betydning før brug.



Læs brugsanvisningen.



Kun for EU-lande

Smid ikke elektrisk udstyr eller batterier ud sammen med husholdningsaffald! Under overholdelse af de europæiske direktiver om elektrisk og elektronisk udstyr og batterier og akkumulatører og opbruge batterier og akkumulatører og deres gennemførelse i overensstemmelse med national lovgivning skal elektrisk udstyr og batterier og batteripakker, der er nået til enden af deres levetid, indsamles separat og returneres til et miljømæssigt egnet genvindingsanlæg.

VIGTIGE SIKKERHEDSINSTRUKTIONER

⚠ ADVARSEL:

Ved brug af elektriske maskiner skal de grundlæggende sikkerhedsforholdsregler altid overholdes for at reducere risikoen for brand, elektrisk stød og personskade, inklusive de følgende:

1. Læs denne brugsanvisning og brugsanvisningen til opladeren omhyggeligt igennem inden brug.
2. Foretag kun rengøring med en ren klud.
3. Installer ikke udstyret i nærheden af varmekilder som f.eks. radiatorer, indblæsningsriste, kakkelovne eller andre apparater (inklusive forstærkere) der producerer varme.
4. Brug kun ekstraudstyr/tilbehør som er specificeret af producenten.
5. Tag stikket til dette apparat ud under tordenvejr, eller når det ikke skal anvendes i længere tidsperioder.
6. En batteridrevet radio med indbygget batteri eller en separat batteripakke må kun oplades med den specificerede oplader til batteriet. En oplader, der muligvis passer til én type batteri, kan medføre risiko for brand, hvis den anvendes med et andet batteri.
7. Anvend kun batteridrevne radioer sammen med særligt designede batteripakker. Brug af andre batterier kan muligvis medføre en risiko for brand.
8. Når batteripakken ikke er i brug, skal den holdes væk fra andre metalgenstande som f.eks.: papirclips, mønter, søm, nøgler, skruer eller andre små metalgenstande, som kan forbinde den ene terminal med den anden. Kortslutning af batteriterminalerne kan medføre gnister, forbrændinger eller brand.
9. Undgå kropskontakt med jordforbundne overflader som rør, radiatorer, overflader og køleskabe. Hvis kroppen er jordforbundet, forøges risikoen for elektrisk stød.
10. Ved forkert behandling kan der sive væske ud fra batteriet; undgå kontakt. Hvis der opstår utilsigtet kontakt, skal du skylle med vand. Hvis du får væske i øjnene, skal du desuden søge lægehjælp. Væske fra batteriet kan forårsage irritation eller forbrændinger.
11. Brug ikke en batteripakke eller et værktøj, som er beskadiget eller modificeret. Beskadigede eller ændrede batterier kan udvise uforudsigelig adfærd, der resulterer i brand, eksplosion eller risiko for skade.
12. Udsæt ikke en batteripakke eller et værktøj for brand eller overdrevent høj temperatur. Hvis det udsættes for ild eller temperatur over 130 °C, kan det forårsage eksplosion.
13. Følg alle opladningsinstruktioner, og oplad ikke batteriet eller værktøjet uden for det temperaturområde, der er angivet i vejledningen. Ukorrekt opladning eller ved temperaturer uden for

det angivne område kan beskadige batteriet og øge risikoen for brand.

14. NETSTIKKET bruges som afbryder, og det skal derfor være let og hurtigt tilgængeligt
15. Brug ikke produktet ved høj lydstyrke i længere tid. For at undgå høreskader, brug produktet ved moderat lydstyrke.
16. (Kun for produkter med LCD-skærm) LCD-skærme indeholder væske, der kan forårsage irritation og forgiftning. Hvis væsken kommer i øjnene, munden eller huden, skal man området med vand og kontakte en læge.
17. Udsæt ikke produktet for regn eller våde forhold. Vand, der kommer ind i produktet, øger risikoen for elektrisk stød.
18. Dette produkt er ikke beregnet til brug af personer (herunder børn) med nedsatte fysiske, sensoriske eller mentale evner eller manglende erfaring og viden, medmindre de er under opsyn eller har fået instruktioner vedrørende brugen af produktet af en person, der er ansvarlig for deres sikkerhed. Børn skal overvåges for at sikre, at de ikke leger med produktet. Opbevar produktet utilgængeligt for børn.

GEM DISSE INSTRUKTIONER

OPBEVAR DISSE INSTRUKTIONER SÆRLIGE SIKKERHEDSREGLER

VEDR. BATTERIPAKKE

1. Før du bruger batteripakken, skal du læse alle instruktioner og advarselsmarkeringer på (1) batterioplader, (2) batteri og (3) produktet, som batteri skal bruges i.
2. Adskil ikke batteripakken.
3. Hvis driftstiden er blevet væsentligt kortere, skal man standse driften med det samme. Det kan medføre risiko for overophedning, forbrændinger og endda eksplosion.
4. Hvis du får elektrolyt i øjnene, skal du skylle dem med rent vand og søge læge med det samme. Det kan resultere i tab af synet.
5. Man må ikke kortslutte batteripakken:
 - 1) Berør ikke terminalerne med nogen som helst elektrisk ledende materialer.
 - 2) Undgå at opbevare batteripakken i en beholder, som indeholder andre metalgenstande såsom søm, mønter, osv.
 - 3) Udsæt ikke batteripakken for vand eller regn. En eventuel kortslutning af batteriet kan medføre at der opstår en stor strømstyrke, overophedning, mulige forbrændinger og endog sammenbrud.
6. Opbevar ikke værktøjet og batteripakken på steder,

hvor temperaturen kan nå eller overstige 50°C (122°F)

7. Man må ikke brænde batteripakken, selv om den er alvorligt beskadiget eller helt slidt op. Batteripakken kan eksplodere, hvis den udsættes for ild.
8. Pas på ikke at tabe batteri eller udsætte det for stød.
9. Brug ikke et beskadiget batteri.
10. For at undgå risikoen skal man læse manualen vedrørende udskiftning af batteriet inden brug. Og batteriets maksimale udløbsstrøm skal være større end eller lig med 8A.
11. Det indeholder lithium-ion-batterier, som er underlagt kravene i lovgivningen om farligt gods. For erhvervsmæssig transport, f.eks. via tredjejerter eller fremsendelsesagenter skal særlige krav til emballering og mærkning overholdes. Ved forberedelse af forsendelse af varen er det nødvendigt at konsultere en ekspert i farligt materiale. Vær også opmærksom på mere detaljerede nationale bestemmelser. Blottede kontakter skal isoleres med tape eller andre midler, og batteriet skal pakkes på en sådan måde, at det ikke kan bevæge sig rundt i emballagen.
12. Følg de lokale forskrifter vedrørende bortskaffelse af batterier.
13. Brug kun batterierne sammen med de produkter, der er specificeret af Makita. Installation af batterier i ikke-kompatible produkter kan resultere i brand, ekstrem varmeudvikling, eksplosion eller lækage af elektrolyt.

⚠ ADVARSEL:

- Fare for eksplosion, hvis batteriet udskiftes forkert.
- Udskift kun med samme eller tilsvarende type.
- Brug kun ægte Makita-batterier. Brug af uægte Makita-batterier eller batterier, der er modificerede, kan resultere i, at batteriet sprænges og forårsager brand, kvæstelser og andre skader. Det vil også ugyldiggøre Makita-garantien for Makita-værktøjet og opladeren.

Tips til at opretholde maksimal batterilevetid

1. Oplad batteripakken igen inden den er helt afladet. Hold op med at bruge værktøjet og oplad batteripakken, når du bemærker at værktøjets styrke mindskes.
2. Oplad aldrig en batteripakke, som allerede er fuldt opladet. Overopladning forkorter batteriets levetid.
3. Oplad batteripakken i omgivelser, der har en temperatur på 10 °C - 40 °C (50 °F - 104 °F). Lad en varm batteripakke køle ned, før den oplades.
4. Oplad batteripakken, hvis du ikke bruger den i en længere periode (mere end seks måneder).

DRIFTSTID

* Nedenstående tabel viser hvor lang tid enheden kan fungere på en enkelt opladning.

| Batterikapacitet | Batterispænding | | | | | VED HØJTTALER-OUTPUT = 100mW Enhed: Time (ca.) | |
|------------------|-----------------|--------|----------------------|-------------------|-------------------|---|--|
| | 7,2 V | 10,8 V | 10,8 V – 12V maks | 14,4 V | 18 V | I radio eller AUX | I radio med USB-opladning (1,0A) |
| 1,0 Ah | BL7010 | | | | | 5,0 | 0,7 |
| 1,3 Ah | | BL1013 | | | | 7,0 | 0,9 |
| | | | | BL1415 | | 5,5 | 1,7 |
| | | | | | BL1815 | 6,0 | 1,9 |
| 1,5 Ah | BL0715 | | | | | 7,5 | 1,0 |
| | | | BL1015 BL1016 | | | 8,5 | 1,7 |
| | | | | BL1415N | | 7,0 | 2,0 |
| | | | | | BL1815N | 7,5 | 2,0 |
| 2,0 Ah | | | BL1020B BL1021B | | | 11 | 2,0 |
| | | | | | BL1820 BL1820B | 10 | 3,0 |
| 3,0 Ah | | | | BL1430 BL1430B | | 12 | 3,5 |
| | | | | | BL1830 BL1830B | 14 | 4,0 |
| 4,0 Ah | | | BL1040B BL1041B | | | 21 | 4,0 |
| | | | | BL1440 | | 19 | 5,5 |
| | | | | | BL1840 BL1840B | 20 | 6,0 |
| 5,0 Ah | | | | BL1450 | | 23 | 6,5 |
| | | | | | BL1850 BL1850B | 26 | 8,0 |
| 6,0 Ah | | | | BL1460B | | 25 | 7,5 |
| | | | | | BL1860B | 31 | 9,5 |

□ : Klyngebatter □ : Skydebatteri

⚠ ADVARSEL:

Brug kun de batterier, der angives ovenfor. Brug af andre batterikassetter kan forårsage skade og/eller brand.

Bemærk:

Tabel vedrørende batteridriftstiden ovenfor er kun vejledende. Den faktiske driftstid kan afvige alt efter batteritypen, opladningsbetingelserne eller brugsmiljøet.

INSTALLATION OG STRØMFORSYNING

⚠ ADVARSEL:

- Pas på ikke at klemme fingrene, når du åbner og lukker batteridækslet.
- Sæt batterirummets dæksel tilbage i den oprindelige position, efter at du har installeret eller fjernet batteripakken. Hvis ikke, kan batteripakken ved et uheld falde ud af radioen og forårsage skade på dig eller andre omkringstående personer.
- Luk og lås altid låget til batterirummet inden du flytter radioen.
- Sluk altid radioen, inden du tager batteripakken ud eller sætter den i.
- Pas på ikke at tabe radioen eller udsætte den for slag. Du risikere at skære dig på kabinettet, hvis det er revnet eller knækket. En beskadiget radio kan udvise uforudsigelig adfærd, der resulterer i brand, eksplosion eller risiko for kvæstelser.

VIGTIGT:

- Reduceret effekt, forvrængning, "hakkende lyd" eller visning af "POWERFAIL" på displayet, er alt sammen tegn på, at hovedbatteriet skal udskiftes.
- Batteripakken kan ikke oplades via den medfølgende netadapter.
- Batteripakken er ikke inkluderet som standardtilbehør.

Montering eller fjernelse af skydebatteripakken (Fig. 2 og 3)

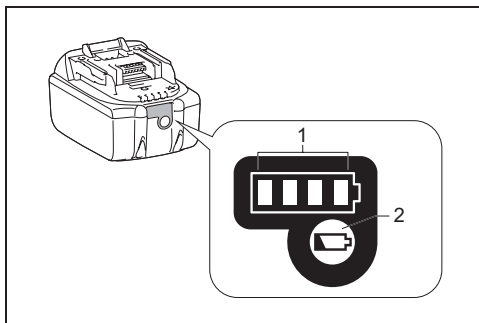
1. Ved montering af batteripakken justeres tungen på batteripakken med rillen i huset, hvorefter pakken skubbes ind på plads. Sæt den altid hele vejen ind, indtil den låses på plads med et lille klik.
2. Hvis den røde indikator øverst på knappen er synlig, er batteripakken ikke låst helt fast. Sæt den helt ind, indtil den røde indikator ikke er synlig. Ellers kan den falde ud af radioen og skade dig eller andre personer i nærheden.
3. Brug ikke magt ved isætning af batteripakken. Hvis den ikke glider let ind, er den ikke indsat korrekt.
4. For at fjerne batteripakken skal du skyde den ud af radioen, mens du benytter knappen på forsiden af pakken.

Montering eller fjernelse af klyngebatteripakken (Fig. 4 og 5)

1. Ved indsætning af batteripakken justeres tungen på batteripakken med rillen i huset, hvorefter pakken skubbes på plads.
2. Fjern batteripakken ved at tage batteriet ud af terminalen, mens du trykker på knapperne på siden af pakken.

Angivelse af den resterende batterikapacitet

* Kun for batteripakker med "B" til sidst i modelnummeret.



➤ 1. Indikatorlamper 2. Kontrolknop

Tryk på kontrolknappen på batteripakken for at få angivet den resterende batterikapacitet. Indikatorlamperne lyser i nogle få sekunder.

• 14,4V/18V batterier

| Indikatorlamper | | | Resterende kapacitet |
|-----------------|---------|---------|---------------------------|
| Tændt | Slukket | Blinker | |
| ■ | ■ | ■ | 75% ~ 100% |
| ■ | ■ | □ | 50% ~ 75% |
| ■ | □ | □ | 25% ~ 50% |
| ■ | □ | □ | 0% ~ 25% |
| ◐ | □ | □ | Lad batteriet op |
| ■ | □ | □ | Batteriet kan være defekt |
| □ | □ | ■ | |

- **10,8V-12V maks. batterier**

| Indikatorlamper | | | Resterende kapacitet |
|-----------------|---------|---------|----------------------|
| Tændt | Slukket | Blinker | |
| ■ ■ ■ ■ | | | 75% ~ 100% |
| ■ ■ ■ □ | | | 50% ~ 75% |
| ■ ■ □ □ | | | 25% ~ 50% |
| ■ □ □ □ | | | 0% ~ 25% |

BEMÆRK:

Afhængigt af betingelserne for anvendelse og den omgivende temperatur, kan indikationen dog afvige lidt fra den faktiske kapacitet.

Brug af den bløde bøjede stavantenne (Fig. 1)

Ret den bløde bøjede stavantenne lige op som vist på figuren.

Brug af den medfølgende vekselstrømsadapter

Fjern gummibeskyttelsen og sæt adapterstikket i jævnstrømsstikket på højre side af radioen.

Sæt adapteren i en stikkontakt med netstrøm.

Når adapteren bruges, afbrydes forbindelsen til batteripakken automatisk.

⚠ ADVARSEL:

- **Afbryd altid forbindelsen til netadapteren helt, inden du flytter radioen. Hvis forbindelsen til vekselstrømsadapteren ikke er fuldstændigt afbrudt, kan det forårsage elektrisk stød.**
- **Træk aldrig i adapterens ledning. Hvis man gør det kan radioen ved et uheld falde ned og forårsage skade på dig eller andre i nærheden.**

VIGTIGT:

- Strømadapteren bruges til at forbinde radioen til strømforsyningsnettet. Den stikkontakt, der sluttes til radioen, skal forblive tilgængelig under normal brug.
- For at afbryde radioen, skal netadapteren fjernes helt fra stikkontakten.
- Brug udelukkende den netadapter der følger med produktet, eller som er angivet af Makita.
- Undlad at komme forsyningskabel eller stik i munden. Det kan medføre elektrisk stød.
- Undlad at berøre stikket med våde eller fedtede hænder.
- Beskadede eller sammenfiltrede ledninger øger risikoen for elektrisk stød. Hvis ledningen er beskadiget, skal den udskiftes af vores autoriserede servicecenter

for at undgå en sikkerhedsrisiko. Brug den ikke før reparation.

- Efter brug skal du altid placere lysnetadapteren uden for børns rækkevidde. Hvis børn leger med ledningen, kan de komme til skade.

Opladning med USB-strømforsyningsport

Der er en USB-port foran på radioen. Du kan oplade en USB-enhed via USB-porten.

1. Tilslut en USB-enhed, som f.eks. en iPod, MP3- eller CD-afspiller, med et USB-kabel, der fås i handlen.
2. Tryk på tænd/sluk-knappen for at tænde for din radio.
3. Uanset om radioen strømforsynes med vekselstrøm eller er batteridrevet, kan radioen oplade USB-enheden, når radioen er tændt og i FM/DAB -indstilling eller BT-indstilling, eller AUX-indstillingen der fremkommer, når der er tilsluttet en eksternt lydkilde.

Bemærk:

- Den maksimale lydstyrke for højttalerens udgangseffekt reduceres, når din USB oplader.
- USB-stikket kan maksimalt levere en elektrisk strøm på 1A 5V.

Vigtigt:

- Inden du tilslutter USB-enheden til USB-porten, skal du altid sikkerhedskopiere dataene på USB-enheden. Ellers er der mulighed for, at du kan miste dine data.
- Radioen forsyner muligvis ikke strøm til visse USB-enheder.
- Når den ikke anvendes eller efter opladning, skal du fjerne USB-kablet og lukke dækslet.
- Tilslut ikke nogen strømkilde til USB-porten. Ellers er der risiko for brand. USB-porten er kun beregnet til opladning af lavspændingsenhed. Placer altid dækslet på USB-porten, når lavspændingsenheden ikke oplades.
- Stik ikke søm, wire e.l. ind i USB-strømforsyningsporten. Ellers kan en kortslutning medføre røgudvikling og brand.
- Forbind ikke dette USB-stik med USB-porten på din computer, da det højst sandsynligt vil medføre sammenbrud på begge enheder.

LYTTE TIL RADIOEN

Radioen har tre kanalsøgningsmetoder - automatisk kanalsøgning, manual kanalsøgning og forprogrammerede kanaler.

Valg af en station – DAB

1. Tryk på tænd/sluk-knappen for at tænde for radioen.
2. Vælg DAB-indstillingen ved at trykke på knappen til valg af bånd.
3. Tryk på avanceret indstilling-knappen og drej på lydstyrke-/kanalsøgnings-/valgknappen indtil "Station List" blinker på skærmen. Tryk på lydstyrke-/

- kanalsøgnings-/valgknappen for at komme ind til listen over stationerne.
- Drej på lydstyrke-/kanalsøgnings-/valgknappen for at rulle gennem listen over tilgængelige stationer. Tryk på knappen for at vælge stationen.
 - Juster den ønskede lydstyrke ved at dreje på lydstyrke-/kanalsøgnings-/valgknappen.

Displayindstillinger – DAB

Radioen har en række visningsmuligheder i DAB-indstillingen:

Tryk på info-knappen for at bevæge dig igennem de forskellige valgmuligheder, som vises under de følgende bogstaver (a. til g.).

- | | |
|-------------------------|---|
| a. Navn på station | Angiver navnet på den station der lyttes til. |
| b. Program type | F.eks. pop, klassisk, nyheder osv. |
| c. Multiplex-navn | Angiver navnet på det DAB-multiplex, som den aktuelle station tilhører. |
| d. Tidspunkt og dato | Angiver det aktuelle tidspunkt og dato. |
| e. Frekvens og kanal | Angiver frekvensen og kanalnummeret for den DAB-station, der aktuelt er stillet ind på. |
| f. Bithastighed/lydtype | Angiver bithastigheden for digitallyden og lydtypen for den DAB-station, der aktuelt er stillet ind på. |
| g. Signalstyrke | Angiver signalstyrken for den DAB-station, der aktuelt er stillet ind på. |

Sådan finder du nye stationer – DAB

Fra tid til anden kommer der muligvis nye DAB-radiostationer til. Eller du er måske flyttet til en anden del af landet. I dette tilfælde er du muligvis nødt til at aktivere din radio til at scanne efter nye stationer. For at give radioen mulighed for at finde alle de tilgængelige stationer anbefales det, at du udfører en fuld scanning af samtlige DAB-bånd III-frekvenser.

- Tryk på automatisk kanalsøgningsknappen.
- Radioen udfører en fuld scanning af DAB-frekvenserne. Efterhånden som der findes nye stationer, forøges stationstælleren til venstre i displayet, og der tilføjes stationer til listen.

Manuel kanalsøgning – DAB

Manuel kanalsøgning giver dig mulighed for at indstille radioen på en bestemt DAB-frekvens på bånd III. Denne funktion kan også anvendes til at rette antennen eller radioen ind for at optimere modtagelsen af en særlig

kanal eller frekvens.

- Tryk på avanceret indstilling-knappen og drej på lydstyrke-/kanalsøgnings-/valgknappen indtil "Manual Tune" vises på displayet. Tryk på lydstyrke-/kanalsøgnings-/valgknappen for at komme ind i den manuelle kanalsøgningsindstilling.
- Drej på lydstyrke-/kanalsøgnings-/valgknappen for at vælge den ønskede DAB-kanal. Tryk på lydstyrke-/kanalsøgnings-/valgknappen for at bekræfte den valgte frekvens.

Opsætning af stationsrækkefølge – DAB

Radioen er udstyret med 3 indstillinger for stationsrækkefølge, som du kan vælge imellem.

Indstillingerne for stationsrækkefølge er alfanumerisk, ensemble og gyldig station.

- Tryk på avanceret indstilling-knap.
- Drej på lydstyrke-/kanalsøgnings-/valgknappen indtil der vises "Station order" i displayet, og tryk derefter på lydstyrke-/kanalsøgnings-/valgknappen for at komme ind i indstillingen.
- Drej på lydstyrke-/kanalsøgnings-/valgknappen for at vælge de følgende valgmuligheder og tryk på knappen for at bekræfte indstillingen.

| | |
|--------------|--|
| Alfanumerisk | Sorterer stationlisten alfanumerisk 0...9 A...Z |
| Ensemble | Organiserer stationlisten efter DAB-multiplex |
| Gyldig | Viser kun de stationer, som der kan findes et signal for |

Dynamisk områdekontrol (DRC) – DAB

DRC-funktionen kan gøre svage lyde nemmere at høre, når radioen anvendes i et støjfyldt miljø, ved at reducere lydsignalets dynamiske område. Der er tre komprimeringsniveauer:

| | |
|---------|-------------------------------------|
| DRC 0 | Der anvendes ingen komprimering. |
| DRC 1/2 | Der anvendes medium komprimering. |
| DRC 1 | Der anvendes maksimal komprimering. |

- Tryk på tænd/sluk-knappen for at tænde for radioen.
- Tryk på knappen til valg af bånd for at vælge DAB-båndet.
- Tryk på avanceret indstilling-knappen og drej på lydstyrke-/kanalsøgnings-/valgknappen indtil "DRC Value" vises på displayet. Tryk derefter på lydstyrke-/kanalsøgnings-/valgknappen for at komme ind i indstillingen. Displayet viser den aktuelle DRC-værdi.
- Drej på lydstyrke-/kanalsøgnings-/valgknappen for at vælge den ønskede DRC-indstilling.
- Tryk på lydstyrke-/kanalsøgnings-/valgknappen for at bekræfte indstillingen.

Automatisk kanalsøgning – FM

- Tryk på tænd/sluk-knappen for at tænde for radioen.
- Vælg det ønskede frekvensbånd ved at trykke på

- knappen til valg af bånd. Kontroller, at den bløde bøjede stavantenne er placeret optimalt for den bedst mulige FM-signalmodtagelse. Prøv at undgå at anvende radioen i nærheden af en computerskærm og andet udstyr, der kan forårsage interferens på radioen.
- Tryk på automatisk kanalsøgningsknappen og radioen søger og stopper automatisk, når den finder en radiostation. Radioen fortsætter med at søge efter den næste tilgængelige station, medmindre brugeren trykker på den automatiske kanalsøgningsknap for at stoppe scanningen.
 - Drej på lydstyrke-/kanalsøgnings-/valgknappen for at få det ønskede lydniveau. LCD-displayet viser ændringerne i lydniveauet.
 - For at slukke for radioen skal du trykke på tænd/slukknappen.

FM-scanningszone

Når du anvender FM-indstillingen, kan radioen indstilles til at scanne enten lokale stationer eller til at scanne alle stationer inklusive fjerne radiostationer.

- Tryk på tænd/slukknappen for at tænde for radioen.
- Tryk på båndknappen for at vælge det ønskede FM-bånd.
- Tryk på knappen for avanceret indstilling, og drej derefter knappen lydstyrke/frekvensjustering/valg, indtil "FM Scan Zone" vises på displayet. Tryk på knappen lydstyrke/frekvensjustering/valg for at åbne indstillingen.
- Drej knappen lydstyrke/frekvensjustering/valg for at skifte mellem "Local" (kun stærke signaler) og "Distant" (Alle signaler) i den nederste linje på displayet. Indstillingen Distant gør det muligt for radioen at finde svagere signaler, når der scannes.
- Tryk på knappen lydstyrke/frekvensjustering/valg for at bekræfte dit valg. Indstillingen Local eller Distant (Lokal eller Fjern) gemmes i radioen og forbliver i kraft, indtil den ændres eller indtil systemet nulstilles.

Manuel kanalsøgning – FM

- Tryk på tænd/slukknappen for at tænde for radioen.
- Tryk på knappen til valg af bånd for at vælge det ønskede frekvensbånd. Juster antennen som beskrevet ovenfor.
- Drej du på lydstyrke-/kanalsøgnings-/valgknappen ændres frekvensen i følgende intervaller: FM: 50 kHz

Bemærk:

For at kunne bruge lydstyrke-/kanalsøgnings-/valgknappen til at finde din ønskede station, skal du trykke på lydstyrke-/kanalsøgnings-/valgknappen for at skifte til kanalsøgningsindstillingen.

- Bliv ved med at dreje på lydstyrke-/kanalsøgnings-/valgknappen indtil den ønskede frekvens vises i displayet.

- Drej på lydstyrke-/kanalsøgnings-/valgknappen for at få det ønskede lydniveau.
- For at slukke for radioen skal du trykke på tænd/slukknappen.

Displayindstillinger – FM (RDS)

Radioen har en række displayfunktioner i FM-radioindstillingen:

Tryk gentagne gange på Info-knappen for at se oplysninger vedrørende RDS (Radiodatasystem) for den station, du lytter til.

- | | |
|----------------------|--|
| a. Programstation | Angiver navnet på den station der lyttes til. |
| b. Frekvens | Angiver frekvensen for FM-signalet. |
| c. Radiotekst | Angiver tekstmeddelelser som f.eks. nye emner osv. |
| d. Programtype | Angiver den type station der lyttes til som f.eks. pop, klassisk, nyheder osv. |
| e. Tidspunkt og dato | Angiver det aktuelle tidspunkt og dato. |

Lagring af stationer som forhåndsindstillinger (DAB og FM)

Der er 5 forhåndsindstillinger for hvert frekvensbånd.

- Tryk på tænd/slukknappen for at tænde for radioen.
- Stil ind på den ønskede station ved hjælp af en af de tidligere beskrevne metoder.
- Tryk og hold på den ønskede forhåndsindstillingsknap indtil forhåndsindstillingsnummeret vises på displayet, for eksempel "P2 Saved". Stationen gemmes derefter på den valgte forhåndsindstillingsknap.
- Gentag denne procedure for de resterende forhåndsindstillinger.
- Stationer, der er gemt som forhåndsindstillinger, kan overskrives vha. de procedurer, som er beskrevet ovenfor.

Genkald stationer fra forhåndsindstillingerne (DAB og FM)

- Tryk på tænd/slukknappen for at tænde for radioen.
- Tryk på knappen til valg af bånd for at vælge det ønskede frekvensbånd.
- Tryk midlertidigt på den ønskede forhåndsindstillingsknap. Forhåndsindstillingsnummeret og stationsfrekvensen vises i displayet.

LYTTE TIL MUSIK VIA BLUETOOTH-STREAMING

Du skal parre din Bluetooth-enhed med radio, før du automatisk kan oprette forbindelse og afspille/stream Bluetooth-musik gennem radio. Parring skaber en

'tilknytning', så to enheder kan genkende hinanden.

Bemærk:

For at få bedre lyd kvalitet anbefaler vi, at man indstiller lydstyrken til mere end to tredjedele af fuld lydstyrke på Bluetooth-enheden og derefter juster lydstyrken på radioen efter behov.

Parring af din Bluetooth-enhed for første gang

1. Tryk på tænd/sluk-knappen for at tænde for radioen. Tryk på båndknappen for at vælge Bluetooth-tilstand. Bluetooth-indikatoren på Preset-knapperne blinker blåt for at vise, at radioen kan opdages.
2. Aktivér Bluetooth på enheden i henhold til enhedens brugermanual for at oprette forbindelse til radio. Find Bluetooth-enhedslisten og vælg enheden med navnet 'DMR112'. Med nogle mobilere (som er udstyret med versioner, der er tidligere end BT2.1 Bluetooth-enhed), skal du muligvis indtaste koden "0000".
3. Når den er tilsluttet, lyder der en bekræftelsestone, og Bluetooth-indikatoren på Preset-knapperne lyser konstant blåt. Du kan nu vælge og afspille musik fra din kildeenhed. Lydstyrken kan justeres fra din kildeenhed eller direkte på radio.
4. Brug knapperne på din Bluetooth-aktiverede enhed eller på radioen til at afspille/pause og navigere mellem numre.

Bemærk:

1. Hvis der er tale om 2 Bluetooth-enheder, som skal parres for første gang, kan du søge efter radioen på dem begge, den vil være tilgængelig på begge enheder. Men hvis den ene enhed opretter forbindelse med denne enhed først, vil den ikke være at finde den på listen på den anden Bluetooth-enhed.
2. Hvis din Bluetooth-enheds forbindelse til din radio midlertidigt afbrydes, skal du genoprette enhedens forbindelse til radioen manuelt.
3. Hvis 'DMR112' vises i din Bluetooth-enheds liste, men enheden ikke kan oprette forbindelse til den, skal du slette elementet fra listen og parre enheden med radioen igen ved at følge de trin, som er beskrevet ovenfor.
4. Den optimale Bluetooth-rækkevidde er ca. 10 meter (uden hindringer) til radioen, men en afstand på op til 30 meter er mulig.
5. Hvis Bluetooth-forbindelsen går tabt på grund af overskridelse af den optimale rækkevidde, forhindringer eller andre årsager, kan det være nødvendigt at tilslutte enheden til radioen igen.
6. Fysiske hindringer, andre trådløse enheder eller elektromagnetiske enheder kan påvirke forbindelseskvaliteten.
7. Bluetooth-forbindelsens ydelse kan variere afhængigt af de tilsluttede Bluetooth-enheder. Undersøg

enhedens Bluetooth-funktionalitet, inden du slutter den til din radio. Det er måske ikke alle funktioner der understøttes på visse parrede Bluetooth-enheder.

Afspilning af lydfiler i Bluetooth-tilstand

Når du har oprettet forbindelse mellem radioen og den valgte Bluetooth-enhed, kan du begynde at afspille din musik ved hjælp af knapperne på din tilsluttede Bluetooth-enhed.

1. Når afspilning er begyndt, kan man justere lydstyrken til det ønskede niveau med lydstyrke-knapperne på radioen eller på den aktiverede Bluetooth-enhed.
2. Brug knapperne på din enhed til at afspille/pause og navigere mellem numre.

Bemærk:

1. Det er ikke alle afspilnings-apps eller -enheder der reagerer på disse kontroller.
2. Nogle mobiltelefoner afbryder midlertidigt forbindelsen til din radio, når du foretager eller modtager opkald. Nogle enheder dæmper midlertidigt deres Bluetooth-lydafspilning, når de modtager SMS-beskeder, e-mails eller af andre grunde, som ikke er relateret til lyd streaming. Sådanne effekter stammer fra den tilsluttede enhed, og indikerer ikke at der er noget i vejen med din radio.

Afspilning af en tidligere parret Bluetooth-kildeenhed

Din radio kan huske op til 8 sæt af parrede enheder.

Når antallet overstiger dette, vil den først parrede enhed blive slettet fra hukommelsen. Hvis din Bluetooth-enhed allerede er blevet parret med radioen tidligere, vil enheden huske din Bluetooth-enhed, og den vil forsøge at genoprette forbindelsen med en enhed i hukommelsen, som tidligere er blevet tilsluttet. Hvis den senest tilsluttede enhed ikke er tilgængelig, vil radioen være synlig for andre Bluetooth-enheder.

Afbrydelse af forbindelsen til din Bluetooth-enhed

Tryk på Bluetooth-parringsknappen og hold den inde i 2-3 sekunder for at afbryde forbindelsen til din Bluetooth-enhed. Bluetooth-indikatoren på de Preset-knapperne blinker blåt, hvilket viser, at radioen igen kan opdages med henblik på parring.

AUX-INDGANGSSTIK

Enheden har to 3,5 mm aux-stereoindgange. Den ene er placeret på forsiden af radioen (AUX IN 1); den anden er placeret i batterirummet (AUX IN 2).

1. Tilslut en ekstern lyd kilde (f.eks. iPod, MP3 eller CD-afspiller) til aux-stikket ved hjælp af en audio-ledning.
2. Tryk på og slip gentagne gange Bånd-knappen, indtil "AUX IN 1" eller "AUX IN 2" vises, hvorefter AUX-

funktionen aktiveres.

3. For at få bedre lyd kvalitet anbefaler vi, at man indstiller lydstyrken til mere end to tredjedele af fuld lydstyrke på enheden og juster derefter lydstyrken på radioen efter behov.

BEMÆRK:

Lyd kablet er ikke inkluderet som standardtilbehør.

DIVERSE INDSTILLINGER

Sprogindstillinger

Der er otte sprogindstillinger til rådighed i radioen:

Engelsk, tysk, italiensk, fransk, hollandsk, dansk, norsk og spansk.

1. Tryk på avanceret indstilling-knap.
2. Drej på lydstyrke-/kanalsøgnings-/valgknappen indtil "Language" vises i displayet. Tryk på lydstyrke-/kanalsøgnings-/valgknappen for at komme ind i indstillingen.
3. Drej på lydstyrke-/kanalsøgnings-/valgknappen for at vælge det ønskede sprog. Tryk på lydstyrke-/kanalsøgnings-/valgknappen for at bekræfte indstillingen.

Lysstyrkekontrol

Knappen Lys kan justeres.

1. Tryk på avanceret indstilling-knap.
2. Drej knappen lydstyrke/frekvensjustering/valg indtil "Button Light" vises på displayet. Tryk på knappen lydstyrke/frekvensjustering/valg for at åbne indstillingen.
3. Drej knappen lydstyrke/frekvensjustering/valg for at vælge "On" eller "Off" for at aktivere eller deaktivere knappens lysfunktion, og tryk derefter på knappen lydstyrke/frekvensjustering/valg for at bekræfte indstillingen.

Nulstilling af system

Hvis din radio ikke fungerer ordentligt, eller der er cifre på displayet, som mangler eller er ukomplette, skal du udføre den følgende procedure.

1. Tryk på avanceret indstilling-knap.
2. Drej på lydstyrke-/kanalsøgnings-/valgknappen indtil "Factory Reset" vises i displayet. Tryk på lydstyrke-/kanalsøgnings-/valgknappen for at komme ind i indstillingen.
3. Drej på lydstyrke-/kanalsøgnings-/valgknappen for at vælge "Yes". Tryk på lydstyrke-/kanalsøgnings-/valgknappen for at bekræfte indstillingen, hvorefter der udføres en komplet nulstilling.

Softwareversion

1. Tryk på avanceret indstilling-knap.
2. Drej på lydstyrke-/kanalsøgnings-/valgknappen indtil

"SW Version" vises i displayet. Tryk på lydstyrke-/kanalsøgnings-/valgknappen for at få vist den softwareversion, som er installeret i radioen.

Mikro-USB-port til softwareopgradering

Der er muligvis softwareopdateringer til rådighed for din radio i fremtiden.

Efterhånden som der bliver softwareopdateringer til rådighed, kan du finde software og information, om hvordan du opdaterer radioen, på **Makitas webside**.

VEDLIGEHODELSE

⚠ FORSIGTIG:

Brug aldrig benzin, benzen, fortynder, alkohol eller lignende. Det kan muligvis medføre misfarvning, deformation eller revner.

SPECIFIKATIONER

| Strømkrav | |
|---------------------|---|
| Vekselstrømsadapter | DC 12 V 1,2A, centerben positivt |
| Batteri | Klyngebatteri: 7,2 V - 10,8 V Skydebatteri: 10,8 V - 18 V |
| Frekvensdækning | FM 87,50 - 108 MHz DAB/DAB+ 174,928-239,200 MHz |
| DAB/DAB+ Kanalblok | DAB (Bånd III) 5A-13F |
| Kompatibel standard | DAB/DAB+ |

| Bluetooth® (Bluetooth®-ordmærket og logoerne er registrerede varemærker ejet af Bluetooth SIG, Inc.) | |
|--|--|
| Bluetooth-version | 4,0 |
| Bluetooth-profiler | A2DP/SCMS-T |
| Sendekraft | Effektklasse 2 |
| Senderækkevidde | Optimal: Maks. 10 meter (33 fod) Mulig: Maks. 30 meter (100 fod) (varierer afhængigt af brugsbetingelserne) |
| Understøttet codec | SBC,AAC |
| Understøttet codec Kompatibel Bluetooth-profil | A2DP |
| Maksimal radiofrekvens- effekt: | BT EDR: 3,12dBm BT LE: 2,31dBm |
| Driftsfrekvens | 2402MHz~2480MHz |

| Kredsløbsfunktion | |
|--------------------------|---|
| Højttaler | 3,5 tommer 32 ohm x 2 |
| Udgangseffekt | 7,2 V: 0,6 W X 2 12Vmax: 1,7 W X 2 14,4 V: 3 W X 2 18 V: 4,9 W X 2 |
| Indgangsterminal | 3,5 mm dia. (AUX IN1/AUX IN2) |
| Antennesystem | DAB/FM: blød bøjet stangantenne |
| Mål (L x B x H) | 282 x 163 x 294 mm |
| Vægt | 4,3KG (uden batteri) |

ΕΛΛΗΝΙΚΑ (Πρωτογενείς οδηγίες)

ΕΠΕΞΗΓΗΣΗ ΤΗΣ ΓΕΝΙΚΗΣ ΟΨΗΣ (Εικ. 1~5)

1. Μαλακή ευλύγιστη κεραία
2. Ντουλάπι θήκης μπαταρίας
3. Λαβή
4. Κάλυμμα χώρου μπαταρίας (φυσίγιο μπαταρίας με κάλυμμα)
5. Υποδοχή DC IN
6. Ηχείο
7. Κουμπί τροφοδοσίας
8. Κουμπί μπάντας
9. Κουμπί σύνθετης ρύθμισης
10. Κουμπί πληροφοριών
11. Προεπιλογή 2-5
12. Κουμπί αυτόματου συντονισμού
13. Κουμπί Έντασης ήχου/Συντονισμού/Επιλογής
14. Θύρα τροφοδοσίας USB
15. AUX IN 1
16. Προεπιλογή 1/Κουμπί αντιστοίχισης Bluetooth
17. Οθόνη LCD
18. Ακροδέκτης εισόδου (AUX IN 2)
19. Χώρος μπαταρίας
20. Θύρα Micro USB για αναβάθμιση λογισμικού
21. Φυσίγιο μπαταρίας

Σύμβολα

Τα παρακάτω παρουσιάζουν τα σύμβολα που χρησιμοποιούνται για τη συσκευή. Βεβαιωθείτε ότι κατανοείτε τη σημασία τους πριν από τη χρήση.



Διαβάστε το εγχειρίδιο οδηγιών.



Μόνο για τις χώρες της ΕΕ
Μην πετάτε ηλεκτρικό εξοπλισμό
ή μπαταρίες μαζί με τα οικιακά
απορρίμματα!

Σε συμμόρφωση με τις Ευρωπαϊκές οδηγίες, σχετικά με τα απόβλητα ηλεκτρικού και ηλεκτρονικού εξοπλισμού και μπαταριών και συσσωρευτών και αποβλήτων μπαταριών και συσσωρευτών και την εφαρμογή τους σύμφωνα με τις εθνικές νομοθεσίες, ο ηλεκτρικός εξοπλισμός και οι μπαταρίες και οι συστοιχίες συσσωρευτών που έχουν φθάσει στο τέλος της ζωής τους πρέπει να συλλέγονται χωριστά και να επιστρέφονται σε Περιβαλλοντικά συμμορφούμενη εγκατάσταση ανακύκλωσης.

ΣΗΜΑΝΤΙΚΕΣ ΟΔΗΓΙΕΣ ΑΣΦΑΛΕΙΑΣ

⚠ ΠΡΟΕΙΔΟΠΟΙΗΣΗ:

Όταν χρησιμοποιείτε ηλεκτρικά εργαλεία, πρέπει πάντοτε να ακολουθείτε όλες τις βασικές προφυλάξεις ασφαλείας, για να μειώσετε τον κίνδυνο πυρκαγιάς, ηλεκτροπληξίας ή ατομικού τραυματισμού, περιλαμβανομένων αυτών που περιγράφονται στη συνέχεια:

1. Διαβάστε προσεκτικά αυτό το εγχειρίδιο οδηγιών και το εγχειρίδιο οδηγιών του φορτιστή πριν από τη χρήση.
2. Καθαρίστε μόνο με στεγνό πανί.
3. Μην εγκαταστήσετε κοντά σε πηγές θερμότητας όπως καλοριφέρ, ανοίγματα εκροής θερμού αέρα, σόμπες ή άλλες συσκευές (συμπεριλαμβανομένων ενισχυτών) που παράγουν θερμότητα.
4. Χρησιμοποιείτε μόνο εξαρτήματα/αξεσουάρ που καθορίζονται από τον κατασκευαστή.
5. Αποσυνδέετε τη συσκευή κατά τη διάρκεια καταιγίδων με κεραυνούς ή όταν δεν πρόκειται να τη χρησιμοποιήσετε για μεγάλο χρονικό διάστημα.
6. Ένα ραδιόφωνο που λειτουργεί με ενσωματωμένες μπαταρίες ή με ξεχωριστή κασέτα μπαταρίας, πρέπει να επαναφορτίζεται μόνο με τον καθορισμένο φορτιστή για την μπαταρία. Ένας φορτιστής που είναι κατάλληλος για ένα τύπο μπαταρίας μπορεί να προκαλέσει τον κίνδυνο πυρκαγιάς εάν χρησιμοποιηθεί σε ένα άλλο τύπο μπαταρίας.
7. Όταν το ραδιόφωνο λειτουργεί με μπαταρίες χρησιμοποιήστε μόνο τις ειδικά καθορισμένες κασέτες μπαταριών. Η χρήση οποιονδήποτε άλλων μπαταριών μπορεί να δημιουργήσει τον κίνδυνο πυρκαγιάς.
8. Όταν η κασέτα μπαταρίας δεν χρησιμοποιείται, φυλάξτε τη μακριά από άλλα μεταλλικά αντικείμενα, όπως συνδετήρες, νομίσματα, κλειδιά, καρφιά, βίδες ή άλλα μικρά μεταλλικά αντικείμενα, τα οποία μπορούν να δημιουργήσουν σύνδεση από τον ένα πόλο στον άλλο. Το βραχυκύκλωμα των ακροδεκτών της μπαταρίας μπορεί να προκαλέσει εγκαύματα ή πυρκαγιά.
9. Αποφεύγετε την επαφή του σώματος με γειωμένες επιφάνειες, όπως σωλήνες, καλοριφέρ, φούρνους και ψυγεία. Υπάρχει αυξημένος κίνδυνος για πρόκληση ηλεκτροπληξίας εάν το σώμα σας είναι γειωμένο.
10. Σε ακραίες συνθήκες μπορεί να πεταχτεί έξω το υγρό της μπαταρίας, αποφύγετε την επαφή μαζί του. Εάν συμβεί τυχαία επαφή, ξεπλύνετε με νερό. Αν το υγρό έρθει σε επαφή με τα μάτια, επιπλέον ζητήστε ιατρική βοήθεια. Το υγρό που εκτοξεύεται από την μπαταρία μπορεί να προκαλέσει ερεθισμό ή εγκαύματα.
11. Μην χρησιμοποιείτε το πακέτο μπαταριών ή εργαλείο που έχει καταστραφεί ή τροποποιηθεί. Οι κατεστραμμένες ή τροποποιημένες μπαταρίες ενδέχεται να παρουσιάσουν απρόβλεπτη συμπεριφορά με αποτέλεσμα πυρκαγιά, έκρηξη ή κίνδυνο τραυματισμού.
12. Μην εκθέτετε ένα πακέτο μπαταριών ή εργαλείο σε φωτιά ή υπερβολική θερμοκρασία. Η έκθεση σε φωτιά ή θερμοκρασία άνω των 130 °C μπορεί να

- προκαλέσει έκρηξη.
13. Ακολουθήστε όλες τις οδηγίες φόρτισης και μην φορτίζετε το πακέτο μπαταριών ή το εργαλείο εκτός του εύρους θερμοκρασίας που καθορίζεται στις οδηγίες. Η λανθασμένη φόρτιση ή σε θερμοκρασίες εκτός του καθορισμένου εύρους μπορεί να καταστρέψει την μπαταρία και να αυξήσει τον κίνδυνο φωτιάς.
 14. Το βύσμα κεντρικής τροφοδοσίας χρησιμοποιείται ως συσκευή αποσύνδεσης, και θα παραμείνει λειτουργική.
 15. Μην χρησιμοποιείτε το προϊόν σε υψηλή ένταση για μεγάλο χρονικό διάστημα. Για να αποφύγετε βλάβες της ακοής, χρησιμοποιήστε το προϊόν σε μέτρια επίπεδα έντασης ήχου.
 16. (Για προϊόντα με οθόνη LCD μόνο) Οι οθόνες LCD περιλαμβάνουν υγρό που μπορεί να προκαλέσει ερεθισμό και δηλητηρίαση. Εάν το υγρό εισχωρήσει στα μάτια, το στόμα ή το δέρμα, ξεπλύνετε με νερό και καλέστε γιατρό.
 17. Μην εκθέτετε το προϊόν σε βροχή ή σε υγρές συνθήκες. Η διείσδυση νερού στο προϊόν θα αυξήσει τον κίνδυνο ηλεκτροπληξίας.
 18. Το προϊόν αυτό δεν προορίζεται για χρήση από άτομα (συμπεριλαμβανομένων παιδιών) με μειωμένες σωματικές, αισθητηριακές ή διανοητικές ικανότητες ή έλλειψη εμπειρίας και γνώσης, εκτός εάν τους παρασχεθούν επίβλεψη ή οδηγίες σχετικά με τη χρήση του προϊόντος από άτομο υπεύθυνο για την ασφάλειά τους. Τα παιδιά θα πρέπει να επιβλέπονται για να βεβαιωθείτε ότι δεν παίζουν με το προϊόν. Αποθηκεύστε το προϊόν μακριά από παιδιά.
 6. Μην αποθηκεύετε το εργαλείο και την μπαταρία σε μέρη όπου η θερμοκρασία μπορεί να φτάσει ή να ξεπεράσει τους 50°C (122°F)
 7. Μην καίτε την μπαταρία, ακόμη και εάν έχει σοβαρή ζημιά ή είναι εντελώς αποφορτισμένη. Η μπαταρία μπορεί να εκραγεί σε φωτιά.
 8. Προσέχετε να μην ρίχνετε ή χηπάζετε τη μπαταρία.
 9. Μην χρησιμοποιείτε μια μπαταρία που έχει υποστεί ζημιά.
 10. Προς αποφυγή κινδύνων, πρέπει να διαβάσετε το εγχειρίδιο των ανταλλακτικών μπαταριών πριν από τη χρήση. Και το μέγιστο ρεύμα αποφόρτισης της μπαταρίας πρέπει να είναι μεγαλύτερο ή ίσο με 8Α.
 11. Οι περιεχόμενες μπαταρίες ιόντων λιθίου υπόκεινται στις απαιτήσεις της νομοθεσίας περί επικινδυνών εμπορευμάτων. Για τις εμπορικές μεταφορές, π.χ. από τρίτους, μεταφορείς, πρέπει να τηρούνται ειδικές απαιτήσεις στη συσκευασία και την επισήμανση. Για την προετοιμασία του αντικειμένου που μεταφέρεται, απαιτείται να συμβουλευτείτε εμπειρογνώμονα για επικινδύνα υλικά. Παρακαλούμε επίσης να τηρείτε την ενδεχομένως λεπτομερέστερη εθνική νομοθεσία. Καλύψτε με ταινία ή απομονώστε τις ανοιχτές επαφές και συσκευάστε την μπαταρία με τέτοιο τρόπο ώστε να μην μπορεί να μετακινηθεί στη συσκευασία.

12. Ακολουθήστε τους τοπικούς κανονισμούς σχετικά με τη διάθεση των μπαταριών.
13. Χρησιμοποιείτε τις μπαταρίες μόνο με τα προϊόντα που ορίζει η Makita. Η τοποθέτηση των μπαταριών σε μη συμμορφούμενα προϊόντα ενδέχεται να προκαλέσει πυρκαγιά, υπερβολική έκλυση θερμότητας, έκρηξη, ή διαρροή ηλεκτρολύτη.

⚠ ΠΡΟΣΟΧΗ:

- Κίνδυνος έκρηξης αν η μπαταρία αντικατασταθεί εσφαλμένα.
- Αντικαταστήστε μόνο με τον ίδιο ή ισοδύναμο τύπο.
- Χρησιμοποιείτε μόνο γνήσιες μπαταρίες Makita. Η χρήση μπαταριών που δεν είναι γνήσιες Makita ή μπαταριών που έχουν αλλοιωθεί μπορεί να έχει ως αποτέλεσμα την έκρηξη της μπαταρίας με πρόκληση πυρκαγιάς, τραυματισμό και βλάβη. Θα ακυρώσει επίσης την εγγύηση Makita για το εργαλείο Makita και τον φορτιστή.

Συμβουλές για τη διατήρηση της μέγιστης ζωής της μπαταρίας

1. Φορτίστε την μπαταρία πριν αποφορτιστεί εντελώς. Πάντοτε να διακόπτετε τη λειτουργία του εργαλείου και να φορτίζετε την μπαταρία όταν παρατηρείται μειωμένη ισχύ του εργαλείου.
2. Ποτέ μην επαναφορτίζετε μια πλήρως φορτισμένη μπαταρία. Η υπερφόρτιση μειώνει τη διάρκεια ζωής της μπαταρίας.
3. Φορτίστε την μπαταρία σε θερμοκρασία περιβάλλοντος 10°C - 40°C (50°F - 104°F). Αν η μπαταρία είναι ζεστή αφήστε τη να κρυώσει πριν τη φορτίσετε.
4. Φορτίστε την μπαταρία εάν δεν τη χρησιμοποιήσετε για μεγάλο χρονικό διάστημα (περισσότερο από έξι μήνες).

ΦΥΛΑΞΤΕ ΑΥΤΕΣ ΤΙΣ ΟΔΗΓΙΕΣ

ΕΙΔΙΚΟΙ ΚΑΝΟΝΕΣ ΑΣΦΑΛΕΙΑΣ

ΓΙΑ ΤΗΝ ΜΠΑΤΑΡΙΑ

1. Πριν χρησιμοποιήσετε την μπαταρία, διαβάστε όλες τις οδηγίες και τις ενδείξεις προφύλαξης (1) στο φορτιστή μπαταρίας, (2) τη μπαταρία, και (3) στο προϊόν που χρησιμοποιεί την μπαταρία.
2. Μην αποσυναρμολογείτε την μπαταρία.
3. Αν ο χρόνος λειτουργίας έχει γίνει υπερβολικά σύντομος, διακόψτε αμέσως τη λειτουργία. Καθώς αυτό μπορεί να οδηγήσει σε κίνδυνο υπερθέρμανσης, πιθανά εγκαύματα και ακόμη και μια έκρηξη.
4. Σε περίπτωση επαφής ηλεκτρολύτη με τα μάτια σας, ξεπλύνετε τα με καθαρό νερό και ζητήστε αμέσως ιατρική βοήθεια. Η επαφή ηλεκτρολύτη με τα μάτια μπορεί να οδηγήσει σε απώλεια όρασης.
5. Μην βραχυκυκλώνετε την μπαταρία:
 - 1) Μην αγγίζετε τους ακροδέκτες με αγωγίμα υλικά.
 - 2) Μην αποθηκεύετε την μπαταρία σε κιβώτιο με άλλα μεταλλικά αντικείμενα, όπως καρφιά, νομίσματα, κλπ.
 - 3) Μην εκθέτετε την μπαταρία σε νερό ή βροχή. Ενα βραχυκύκλωμα μπαταρίας μπορεί να προκαλέσει μεγάλη ροή ρεύματος, υπερθέρμανση, πιθανά εγκαύματα ή ακόμη και βλάβη.

OPERATING TIME

*Ο παρακάτω πίνακας δείχνει το χρόνο λειτουργίας με μία μόνο φόρτιση.

| Χωρητικότητα μπαταρίας | Τάση κασέτας μπαταρίας | | | | | ΣΕ ΕΞΟΔΟ ΗΧΟΥ = 100mW Μονάδα: Ώρα (περίπου) | |
|------------------------|------------------------|--------|---------------------|-------------------|-------------------|--|---|
| | 7,2 V | 10,8 V | 10,8 V – 12Vμεγ. | 14,4 V | 18 V | Στο ραδιόφωνο ή στο AUX | Στο ραδιόφωνο με Φόρτιση USB (1,0A) |
| 1,0 Ah | BL7010 | | | | | 5,0 | 0,7 |
| 1,3 Ah | | BL1013 | | | | 7,0 | 0,9 |
| | | | | BL1415 | | 5,5 | 1,7 |
| | | | | | BL1815 | 6,0 | 1,9 |
| 1,5 Ah | BL0715 | | | | | 7,5 | 1,0 |
| | | | BL1015 BL1016 | | | 8,5 | 1,7 |
| | | | | BL1415N | | 7,0 | 2,0 |
| | | | | | BL1815N | 7,5 | 2,0 |
| 2,0 Ah | | | BL1020B BL1021B | | | 11 | 2,0 |
| | | | | | BL1820 BL1820B | 10 | 3,0 |
| 3,0 Ah | | | | BL1430 BL1430B | | 12 | 3,5 |
| | | | | | BL1830 BL1830B | 14 | 4,0 |
| 4,0 Ah | | | BL1040B BL1041B | | | 21 | 4,0 |
| | | | | BL1440 | | 19 | 5,5 |
| | | | | | BL1840 BL1840B | 20 | 6,0 |
| 5,0 Ah | | | | BL1450 | | 23 | 6,5 |
| | | | | | BL1850 BL1850B | 26 | 8,0 |
| 6,0 Ah | | | | BL1460B | | 25 | 7,5 |
| | | | | | BL1860B | 31 | 9,5 |

 : Συστοιχία μπαταρίας  : Συρόμενη μπαταρία

⚠ ΠΡΟΕΙΔΟΠΟΙΗΣΗ:

Χρησιμοποιείτε μόνο τις κασέτες μπαταρίας που αναφέρονται παραπάνω. Η χρήση οποιωνδήποτε άλλων κασετών μπαταρίας μπορεί να προκαλέσει τραυματισμό ή/και πυρκαγιά.

Σημείωση:

Ο πίνακας σχετικά με τον χρόνο λειτουργίας της μπαταρίας παραπάνω είναι μόνο για αναφορά. Ο πραγματικός χρόνος λειτουργίας μπορεί να διαφέρει ανάλογα με τον τύπο της μπαταρίας, την κατάσταση φόρτισης ή το περιβάλλον χρήσης.

ΕΓΚΑΤΑΣΤΑΣΗ ΚΑΙ ΠΑΡΟΧΗ ΕΝΕΡΓΕΙΑΣ

⚠ ΠΡΟΣΟΧΗ:

- Προσέξτε να μην πιέξετε τα δάχτυλά σας όταν ανοίγετε και κλείνετε το κάλυμμα της μπαταρίας.
- Επαναφέρετε το ντουλάπι της θήκης μπαταριών στην αρχική θέση, αφού εγκαταστήσετε ή αφαιρέσετε το φυσιγγίο μπαταρίας. Εάν όχι, το φυσιγγίο μπαταρίας μπορεί να πέσει κατά λάθος από το ραδιόφωνο, προκαλώντας τραυματισμό σε εσάς ή σε κάποιον γύρω σας.
- Κλείνετε πάντα και ασφαλίσετε το ντουλάπι θήκης μπαταρίας πριν μετακινήσετε το ραδιόφωνο.
- Σβήνετε πάντα το ραδιόφωνο πριν τοποθετήσετε ή αφαιρέσετε το φυσιγγίο μπαταρίας.
- Προσέξτε να μην πέσει ή χτυπήσει το ραδιόφωνο. Το σπασμένο περίβλημα μπορεί να κόψει το δάχτυλό σας ή να καρφωθεί στο σώμα σας. Το ραδιόφωνο με ζημιά μπορεί να παρουσιάσει απρόβλεπτη συμπεριφορά με αποτέλεσμα πυρκαγιά, έκρηξη ή κίνδυνο τραυματισμού.

ΣΗΜΑΝΤΙΚΟ:

- Μειωμένη ισχύς, παραμόρφωση, "διακοπές ήχου" ή όταν εμφανίζεται το μήνυμα "POWERFAIL" στην οθόνη είναι όλα ενδείξεις ότι το πακέτο κύριας μπαταρίας πρέπει να αντικατασταθεί.
- Το φυσιγγίο μπαταρίας δεν μπορεί να φορτιστεί μέσω του παρεχόμενου μετασχηματιστή AC.
- Το φυσιγγίο μπαταρίας δεν περιλαμβάνεται ως στάνταρ αξεσουάρ.

Τοποθέτηση ή αφαίρεση της συρόμενης κασέτας μπαταρίας (Εικ. 2 και 3)

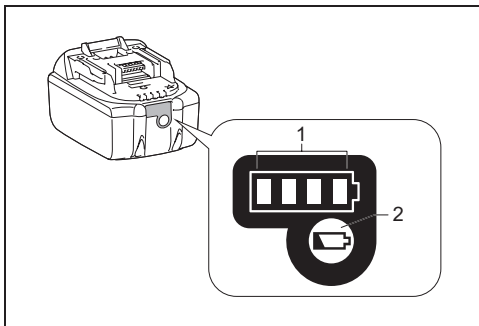
1. Για να τοποθετήσετε την κασέτα μπαταρίας, ευθυγραμμίστε τη γλωττίδα της κασέτας μπαταρίας με την εγκοπή στο περίβλημα και σύρτε τη στη θέση της. Πάντοτε να την τοποθετείτε έως το τέρμα έως όπου ασφαρίζει στη θέση της και ακουστεί ένας απλός ήχος "κλικ".
2. Αν μπορείτε να δείτε την κόκκινη ένδειξη στην πάνω πλευρά του κουμπιού, η μπαταρία δεν είναι πλήρως ασφαλισμένη. Τοποθετήστε την πλήρως έως όπου να μη φαίνεται η κόκκινη ένδειξη. Σε αντίθετη περίπτωση, μπορεί να πέσει κατά λάθος από το ραδιόφωνο και να τραυματίσει εσάς ή κάποιον παρευρισκόμενο.
3. Να μη χρησιμοποιείτε δύναμη όταν εισαγάγετε την κασέτα μπαταρίας. Αν η κασέτα δεν ολισθαίνει με ευκολία αυτό σημαίνει ότι δεν την εισαγάγετε σωστά.
4. Για να αφαιρέσετε το φυσιγγίο μπαταρίας, βγάλτε το συρταρωτά από το ραδιόφωνο ενώ σύρτε το κουμπί στο εμπρός μέρος του φυσιγγιού.

Τοποθέτηση ή αφαίρεση της κασέτας συστοιχίας μπαταρίας (Εικ. 4 και 5)

1. Για να εισαγάγετε την κασέτα μπαταρίας, ευθυγραμμίστε τη γλωττίδα της κασέτας μπαταρίας με την εγκοπή στο περίβλημα και σύρτε τη στη θέση της. Για να αφαιρέσετε την κασέτα μπαταρίας, βγάλτε την
2. μπαταρία έξω από το θερματικό πατώντας ταυτόχρονα τα κουμπιά στο πλάι της κασέτας.

Ένδειξη της εναπομένουσα χωρητικότητας της μπαταρίας

* Μόνο για τις κασέτες μπαταρία με "B" στο τέλος του αριθμού μοντέλου.



➤ 1. Ενδεικτικές λυχνίες 2. Κουμπί ελέγχου

Πατήστε το κουμπί ελέγχου στην κασέτα μπαταρίας για να εμφανιστεί η υπολειπόμενη χωρητικότητα της μπαταρίας. Οι ενδεικτικές λυχνίες θα ανάψουν για μερικά δευτερόλεπτα.

• Μπαταρίες 14,4V/18V

| Ενδεικτικές λυχνίες | | | Εναπομένουσα χωρητικότητα |
|---------------------|------------|---------------|--------------------------------|
| ■ Αναμμένη | □ Ανενεργή | ▤ Αναβοσβήνει | |
| ■ ■ ■ ■ | | | 75% ~ 100% |
| ■ ■ ■ □ | | | 50% ~ 75% |
| ■ ■ □ □ | | | 25% ~ 50% |
| ■ □ □ □ | | | 0% ~ 25% |
| ▤ □ □ □ | | | Φορτίστην μπαταρία |
| ■ ■ □ □ | ↑ ↓ | ■ ■ | Πιθανή δυσλειτουργία μπαταρίας |

• 10,8V-12V max batteries

| Ενδεικτικές λυχνίες | | | Εναπομένουσα χωρητικότητα |
|---------------------|----------|-------------|---------------------------|
| Αναμμένη | Ανενεργή | Αναβοσβήνει | |
| | | | 75% ~ 100% |
| | | | 50% ~ 75% |
| | | | 25% ~ 50% |
| | | | 0% ~ 25% |

ΣΗΜΕΙΩΣΗ:

Ανάλογα με τις συνθήκες χρήσης και τη θερμοκρασία περιβάλλοντος, η ένδειξη ενδέχεται να διαφέρει ελαφρώς από την πραγματική χωρητικότητα.

Εγκατάσταση της μαλακής λυγισμένης ράβδου κεραίας (Εικ. 1)

Εγκαταστήστε τη μαλακή λυγισμένη ράβδο κεραίας όπως φαίνεται στην εικόνα.

Χρήση του παρεχόμενου μετασχηματιστή εναλλασσόμενου ρεύματος

Αφαιρέστε το προστατευτικό καουτσούκ και τοποθετήστε το βύσμα του προσαρμογέα στην υποδοχή DC στη δεξιά πλευρά του ραδιόφωνα.

Συνδέστε τον προσαρμογέα σε μια κανονική πρίζα ρεύματος.

Όποτε χρησιμοποιείται ο προσαρμογέας, αποσυνδέεται αυτόματα η μπαταρία.

ΠΡΟΣΟΧΗ:

- Αποσυνδέετε πάντα τον προσαρμογέα ρεύματος AC πριν μετακινήσετε το ραδιόφωνο. αν ο μετασχηματιστής AC δεν αφαιρεθεί, μπορεί να προκληθεί ηλεκτροπληξία.
- Ποτέ μην τραβάτε και σύρετε το καλώδιο του προσαρμογέα. Αν όχι, το ραδιόφωνο μπορεί να πέσει κατά λάθος, προκαλώντας τραυματισμό σε εσάς ή σε κάποιον γύρω σας.

ΣΗΜΑΝΤΙΚΟ:

- Ο προσαρμογέας δικτύου χρησιμοποιείται ως μέσο σύνδεστού ραδιόφωνα στην τροφοδοσία ρεύματος. Η πρίζα ρεύματος που χρησιμοποιείται για το ραδιόφωνο πρέπει να παραμείνει προσβάσιμη κατά τη διάρκεια της κανονικής χρήσης.
- Για να αποσυνδέσετε το ραδιόφωνο, ο προσαρμογέας δικτύου πρέπει να βγει από την πρίζα.
- Χρησιμοποιήστε το τροφοδοτικό εναλλασσόμενου ρεύματος που παρέχεται μαζί με το προϊόν ή που ορίζεται μόνο από τη Makita.

- Μην κρατάτε το καλώδιο τροφοδοσίας και το βύσμα με το στόμα σας. Κάτι τέτοιο μπορεί να προκαλέσει ηλεκτροπληξία.
- Μην αγγίζετε το βύσμα με βρεγμένα ή λιπαρά χέρια.
- Τα χαλασμένα ή μπλεγμένα καλώδια αυξάνουν τον κίνδυνο ηλεκτροπληξίας. Εάν το καλώδιο είναι κατεστραμμένο, αντικαταστήστε το από το εξουσιοδοτημένο κέντρο σέρβις μας, προκειμένου να αποφύγετε κίνδυνο για την ασφάλειά. Μην το χρησιμοποιείτε πριν από την επισκευή.
- Μετά τη χρήση, να αποθηκεύετε πάντοτε το τροφοδοτικό εναλλασσόμενου ρεύματος μακριά από παιδιά. Εάν τα παιδιά παίζουν με το καλώδιο, μπορεί να τραυματιστούν.

Φόρτιση με τη θύρα τροφοδοσίας USB

Η θύρα USB υπάρχει στην μπροστινή πλευρά του ραδιόφωνα. Μπορείτε να φορτίσετε μια συσκευή USB μέσω της θύρας USB.

1. Συνδέστε τη συσκευή USB, όπως iPod, MP3 ή CD player, με ένα διαθέσιμο στην αγορά καλώδιο USB.
2. Πατήστε το κουμπί τροφοδοσίας για να ενεργοποιήσετε το ραδιόφωνό σας.
3. Ανεξαρτήτως από το αν το ραδιόφωνό σας τροφοδοτείται από πηγή εναλλασσόμενου ρεύματος ή από μπαταρία, το ραδιόφωνο μπορεί να φορτίσει τη συσκευή USB όταν ενεργοποιηθεί το ραδιόφωνο και βρεθεί στη μπάντα ραδιόφωνου FM/DAB ή στη μπάντα BT ή στη μπάντα AUX, η οποία εμφανίζεται όταν έχει συνδεθεί μια εξωτερική πηγή ήχου.

Σημείωση:

- Η μέγιστη ένταση ήχου από το ηχείο εξόδου θα μειωθεί όταν φορτίζει το USB.
- Η υποδοχή USB μπορεί να παράσχει το μέγιστο ηλεκτρικό ρεύμα του 1Α5V.

Σημαντικό:

- Πριν από τη σύνδεση της συσκευής USB στη θύρα USB, πάντοτε να κρατάτε αντίγραφο ασφαλείας των δεδομένων σας της συσκευής USB. Διαφορετικά τα δεδομένα σας μπορεί χαθούν λόγω οποιασδήποτε περιπτώσεως.
- Το ραδιόφωνο μπορεί να μην παράσχει ρεύμα σε ορισμένες συσκευές USB.
- Αποσυνδέστε το καλώδιο USB και κλείστε το κάλυμμα όταν δεν το χρησιμοποιείτε ή μετά τη φόρτιση.
- Μην συνδέετε πηγή ρεύματος στη θύρα USB. Διαφορετικά υπάρχει κίνδυνος πυρκαγιάς. Η θύρα USB προορίζεται μόνο για φόρτιση συσκευών χαμηλής τάσης. Να τοποθετείτε πάντοτε το κάλυμμα πάνω στη θύρα USB όταν δεν εκτελείτε φόρτιση συσκευής χαμηλής τάσης.
- Μην εισαγάγετε κάποιο καρφί, σύρμα κ.λπ. μέσα στη θύρα τροφοδοσίας USB. Διαφορετικά ένα βραχυκύκλωμα μπορεί να προκαλέσει καπνό και

φωτιά.

- Μην συνδέετε ποτέ αυτή η υποδοχή USB με τη θύρα USB του υπολογιστή σας, καθώς είναι πολύ πιθανό να προκαλέσει βλάβη των μονάδων.

ΑΚΡΟΑΣΗ ΤΟΥ ΡΑΔΙΟΦΩΝΟΥ

Η συσκευή αυτή είναι εφοδιασμένη με τρεις μεθόδους συντονισμού- Συντονισμός με σάρωση, Χειροκίνητος συντονισμός και Ανάκτηση προεπιλεγμένης μνήμης.

Η επιλογή ενός σταθμού – DAB

1. Πατήστε το κουμπί τροφοδοσίας για να ενεργοποιήσετε το ραδιόφωνο σας.
2. Επιλέξτε τη λειτουργία DAB πατώντας το κουμπί μπάνας.
3. Πατήστε το κουμπί προηγμένων ρυθμίσεων και περιστρέψτε το κουμπί έντασης/ελέγχου συντονισμού/επιλογής έως ότου η “Λίστα σταθμών” να αναβοσβήνει στην οθόνη. Πατήστε το κουμπί έντασης/ελέγχου συντονισμού/επιλογής για να μεταβείτε στη λίστα των σταθμών.
4. Περιστρέψτε το κουμπί έντασης/ελέγχου συντονισμού/επιλογής για να μετακινηθείτε μέσα στη λίστα των διαθέσιμων σταθμών. Πατήστε το κουμπί για να επιλέξετε το σταθμό.
5. Ρυθμίστε την επιθυμητή ένταση περιστρέφοντας το κουμπί έντασης/ελέγχου συντονισμού/επιλογής.

Λειτουργίες προβολής – DAB

Το ραδιόφωνό σας έχει μια σειρά από επιλογές ένδειξης της λειτουργίας DAB:

Πατήστε το κουμπί πληροφοριών για να μεταβείτε στις διάφορες επιλογές που εμφανίζονται στα παρακάτω γράμματα (α. έως γ.).

- | | |
|----------------------------|---|
| a. Όνομα σταθμού | Δείχνει το όνομα του σταθμού που ακούτε. |
| b. Τύπος προγράμματος | Δείχνει τον τύπο του σταθμού που ακούτε. Π.χ. Ποπ, Κλασικά, Ειδήσεις, κ.λπ. |
| c. Πολυπλεξικό όνομα | Δείχνει το όνομα του πολυπλεξικού DAB στο οποίο ανήκει ο τρέχων σταθμός. |
| d. Ώρα & ημερομηνία | Δείχνει την τρέχουσα ώρα και ημερομηνία. |
| e. Συχνότητα και κανάλι | Δείχνει τη συχνότητα και τον αριθμό καναλιού για τον τρέχοντα συντονισμένο σταθμό DAB. |
| f. Ρυθμός μπιπ/ Τύπος ήχου | Δείχνει το ρυθμό μπιπ του ψηφιακού ήχου και τον τύπο ήχου για τον τρέχοντα συντονισμένο σταθμό DAB. |
| g. Ισχύς σήματος | Δείχνει την ισχύ σήματος για τον τρέχοντα συντονισμένο σταθμό DAB. |

Ανεύρεση νέων σταθμών – DAB

Από καιρό σε καιρό, μπορούν να καταστούν διαθέσιμοι νέοι ραδιοφωνικοί σταθμοί DAB. Ή μπορεί να την έχετε μετακινηθεί σε διαφορετικό μέρος της χώρας. Σε αυτή την περίπτωση μπορεί να χρειαστεί να ενεργοποιήσετε το ραδιόφωνο για να εκτελέσετε σάρωση νέων σταθμών. Για να επιτρέψετε το ραδιόφωνο για να βρει τους διαθέσιμους σταθμούς, συνιστάται να πραγματοποιήσετε μια πλήρη σάρωση του συνόλου των συχνοτήτων της μπάνας III DAB.

1. Πατήστε το κουμπί του αυτόματου συντονισμού.
2. Το ραδιόφωνό σας θα εκτελέσει μια πλήρη σάρωση των συχνοτήτων DAB. Καθώς βρίσκονται νέοι σταθμοί, ο μετρητής σταθμών στην αριστερή πλευρά της οθόνης θα αυξάνει και σταθμοί θα προστίθενται στη λίστα.

Χειροκίνητος συντονισμός – DAB

Ο χειροκίνητος συντονισμός σας επιτρέπει να συντονίσετε το ραδιόφωνό σας σε μια συγκεκριμένη συχνότητα DAB στη μπάνα III. Αυτή η λειτουργία μπορεί επίσης να χρησιμοποιηθεί για να βοηθήσει στην εύρεση της σωστής θέσης της κεραίας ή του ραδιοφώνου ώστε να βελτιστοποιηθεί η λήψη για ένα συγκεκριμένο κανάλι ή συχνότητα.

1. Πατήστε το κουμπί προηγμένων ρυθμίσεων και περιστρέψτε το κουμπί έντασης/ελέγχου συντονισμού/επιλογής έως ότου να εμφανιστεί στην οθόνη ο “Χειροκίνητος συντονισμός”. Πατήστε το κουμπί έντασης/ελέγχου συντονισμού/επιλογής για να μεταβείτε στη λειτουργία χειροκίνητου συντονισμού.
2. Περιστρέψτε το κουμπί έντασης/ελέγχου συντονισμού/επιλογής για να επιλέξετε το επιθυμητό κανάλι DAB. Πατήστε το κουμπί έντασης/ελέγχου συντονισμού/επιλογής για να μεταβείτε στη λειτουργία χειροκίνητου συντονισμού.

Ρύθμιση σειράς σταθμών – DAB

Το ραδιόφωνό σας διαθέτει 3 ρυθμίσεις σειράς σταθμών από τις οποίες μπορείτε να επιλέξετε. Οι ρυθμίσεις σειράς σταθμών είναι αλφαριθμητικός, συγκρότημα και έγκυρος σταθμός.

1. Πατήστε το κουμπί προηγμένων ρυθμίσεων.
2. Περιστρέψτε το κουμπί έντασης/ελέγχου συντονισμού/επιλογής μέχρι να εμφανιστεί στην οθόνη το “Σειρά σταθμών”, στη συνέχεια πατήστε το κουμπί έντασης/ελέγχου συντονισμού/επιλογής για να εισάγετε τη ρύθμιση.
3. Περιστρέψτε το κουμπί έντασης/ελέγχου συντονισμού/επιλογής για να επιλέξετε τις παρακάτω ρυθμίσεις και πατήστε το κουμπί για να επιβεβαιώσετε τη ρύθμιση.
Αλφαριθμητικό Ταξινομεί την λίστα των σταθμών αλφαριθμητικά-αριθμητικά 0...9 A...Z
Συγκρότημα Οργανώνει τη λίστα των σταθμών κατά πολυπλεξικό DAB

Έγκυρο

Δείχνει μόνο τους σταθμούς για τους οποίους μπορεί να βρεθεί σήμα

Έλεγχος δυναμικού εύρους (DRC) – DAB

Το χαρακτηριστικό DCR μπορεί να κάνει ευκολότερο το άκουσμα των ήχων χαμηλής έντασης όταν το ραδιόφωνο χρησιμοποιείται σε θορυβώδες περιβάλλον, μειώνοντας το δυναμικό εύρος του ηχητικού σήματος. Υπάρχουν τρία επίπεδα συμπίεσης:

- DRC 0 Δεν εφαρμόζεται συμπίεση.
- DRC 1/2 Εφαρμόζεται ενδιάμεση συμπίεση.
- DRC 1 Εφαρμόζεται μέγιστη συμπίεση.

1. Πατήστε το κουμπί τροφοδοσίας για να ενεργοποιήσετε το ραδιόφωνο σας.
2. Πατήστε το κουμπί μπάντας για να επιλέξετε την επιθυμητή μπάντα DAB.
3. Πατήστε το κουμπί προηγμένων ρυθμίσεων και περιστρέψτε το κουμπί έντασης/ελέγχου συντονισμού/επιλογής έως ότου να εμφανιστεί στην οθόνη η "Τιμή DRC". Πατήστε το κουμπί έντασης/ελέγχου συντονισμού/επιλογής για να εισάγετε τη ρύθμιση. Η οθόνη θα εμφανίσει την τρέχουσα τιμή DRC.
4. Περιστρέψτε το κουμπί έντασης/ελέγχου συντονισμού/επιλογής για να επιλέξετε την επιθυμητή ρύθμιση DAB.
5. Πατήστε το κουμπί έντασης/ελέγχου συντονισμού/επιλογής για να εισάγετε τη ρύθμιση.

Σάρωση Συντονισμός – FM

1. Πατήστε το κουμπί τροφοδοσίας του ραδιοφώνου για να ενεργοποιήσετε το ραδιόφωνο.
2. Επιλέξτε την επιθυμητή μπάντα συχνότητας πατώντας το κουμπί μπάντας. Βεβαιωθείτε ότι η μαλακή λυγισμένη ράβδος κεραίας έχει τοποθετηθεί σε καλή θέση για την καλύτερη λήψη FM. Προσπαθήστε να λειτουργείτε το ραδιόφωνο μακριά από οθόνη υπολογιστή και από άλλες συσκευές που μπορούν να προκαλέσουν παρεμβολή στο ραδιόφωνο.
3. Πατήστε το κουμπί αυτόματου συντονισμού και το ραδιόφωνο θα πραγματοποιήσει αναζήτηση και θα σταματήσει αυτόματα όταν εντοπίσει ένα ραδιοφωνικό σταθμό. Το ραδιόφωνο θα συνεχίσει να αναζητά τον επόμενο διαθέσιμο σταθμό εκτός εάν ο χειριστής πατήσει το κουμπί αυτόματου συντονισμού για να σταματήσει τη σάρωση.
4. Περιστρέψτε το κουμπί έντασης/ελέγχου συντονισμού/επιλογής για να αποκτήσετε την επιθυμητή ένταση ήχου. Η οθόνη LCD θα εμφανίσει τις αλλαγές στην ένταση του ήχου.
5. Για να απενεργοποιήσετε το ραδιόφωνο, πατήστε το κουμπί τροφοδοσίας.

Ζώνη σάρωσης FM

Όταν χρησιμοποιείται η λειτουργία FM, το ραδιόφωνο σας μπορεί να ρυθμιστεί για σάρωση είτε των τοπικών

σταθμών είτε για τη σάρωση όλων των σταθμών συμπεριλαμβανομένων των μακρινών ραδιοφωνικών σταθμών.

1. Πατήστε το κουμπί τροφοδοσίας του ραδιοφώνου για να ενεργοποιήσετε το ραδιόφωνο.
2. Πατήστε το κουμπί μπάντας για να επιλέξετε τη ζώνη FM.
3. Πατήστε το κουμπί σύνθετης ρύθμισης έπειτα περιστρέψτε το κουμπί Έντασης/Συντονισμού/Ελέγχου/Επιλογής μέχρι να εμφανιστεί "Ζώνη σάρωσης FM" στην οθόνη. Πατήστε το Κουμπί Έντασης ήχου/Συντονισμού/Επιλογής για να μπειτε στις ρυθμίσεις
4. Περιστρέψτε το κουμπί Ελέγχου έντασης/Συντονισμού/Επιλογής για εναλλαγή μεταξύ "Τοπικών" (Ισχυροί σταθμοί μόνο) και "Μακρινών" (Όλοι οι σταθμοί) στην κάτω γραμμή της οθόνης. Η επιλογή "Μακρινών" θα επιτρέπει στο ραδιόφωνο να βρει ασθενέστερα σήματα κατά τη σάρωση.
5. Πατήστε το Κουμπί Έντασης ήχου/Συντονισμού/Επιλογής για να επιβεβαιώσετε την επιλογή σας. Η ρύθμιση Τοπικών ή Μακρινών αποθηκεύεται στο ραδιόφωνο και παραμένει σε ισχύ έως ότου αλλάξει ή μέχρι να γίνει επαναφορά συστήματος.

Χειροκίνητη σάρωση – FM

1. Πατήστε το κουμπί τροφοδοσίας του ραδιοφώνου για να ενεργοποιήσετε το ραδιόφωνο.
2. Πατήστε το κουμπί μπάντας για να επιλέξετε την επιθυμητή μπάντα συχνότητας. Ρυθμίστε την κεραία, όπως περιγράφεται παραπάνω.
3. Η περιστροφή του κουμπιού έντασης/ελέγχου συντονισμού/επιλογής θα αλλάξει τη συχνότητα με την παρακάτω προσαύξηση: FM: 50

Σημείωση:

- Για να χρησιμοποιήσετε το κουμπί έντασης/ελέγχου συντονισμού/επιλογής για να βρείτε τον επιθυμητό σταθμό σας, πιάστε το κουμπί έντασης/ελέγχου συντονισμού/επιλογής για να μεταβείτε στη ρύθμιση λειτουργίας ελέγχου συντονισμού.
4. Συνεχίστε να περιστρέφετε το κουμπί έντασης/ελέγχου συντονισμού/επιλογής μέχρι να εμφανιστεί στην οθόνη η απαιτούμενη συχνότητα.
 5. Περιστρέψτε το κουμπί έντασης/ελέγχου συντονισμού/επιλογής για να αποκτήσετε την επιθυμητή ένταση ήχου.
 6. Για να απενεργοποιήσετε το ραδιόφωνο, πατήστε το κουμπί τροφοδοσίας.

Λειτουργίες ενδείξεων – FM (RDS)

Ραδιόφωνο σας έχει μια σειρά από επιλογές ένδειξης για τη λειτουργία ραδιοφώνου FM:

Πατήστε επανειλημμένα το κουμπί Πληροφοριών για να δείτε τις πληροφορίες RDS (Σύστημα ραδιοφωνικών δεδομένων) του σταθμού που ακούτε.

- | | |
|-------------------------|--|
| a. Σταθμός προγράμματος | Εμφανίζει το όνομα του σταθμού που ακούγεται. |
| b. Συχνότητα | Δείχνει τη συχνότητα του σήματος FM. |
| c. Ραδιοφωνικό κείμενο | Εμφανίζει μήνυμα κειμένου, όπως νέα στοιχεία κλπ. |
| d. Τύπος προγράμματος | Εμφανίζει το είδος του σταθμού που ακούγεται, όπως Ποπ, Κλασικός, Ειδήσεις, κ.α. |
| e. Ωρα & ημερομηνία | Δείχνει την τρέχουσα ώρα και ημερομηνία. |

Αποθήκευση σταθμών σε προκαθορισμένες μνήμες (DAB και FM)

Υπάρχουν 5 προεπιλεγμένες μνήμες για κάθε μπάνα κύματος.

1. Πατήστε το κουμπί τροφοδοσίας του ραδιοφώνου για να ενεργοποιηθεί το ραδιόφωνο.
2. Συντονιστείτε με τον επιθυμητό σταθμό χρησιμοποιώντας μια μέθοδο από αυτές που αναφέρθηκαν προηγουμένως.
3. Πατήστε και κρατήστε πατημένο το επιθυμητό κουμπί προεπιλογής μέχρι να εμφανιστεί ο αριθμός προεπιλογής στην οθόνη, για παράδειγμα, "P2 Αποθηκευμένο". Ο σταθμός στη συνέχεια αποθηκεύεται στο επιλεγμένο κουμπί προεπιλογής.
4. Επαναλάβετε αυτή τη διαδικασία για τις εναπομένουσες προεπιλογές.
5. Οι αποθηκευμένοι σταθμοί στις προεπιλεγμένες μνήμες μπορούν να αντικατασταθούν ακολουθώντας τις παραπάνω διαδικασίες.

Ανάκτηση σταθμών από τις προκαθορισμένες μνήμες (DAB και FM)

1. Πατήστε το κουμπί τροφοδοσίας του ραδιοφώνου για να ενεργοποιηθεί το ραδιόφωνο.
2. Πατήστε το κουμπί μπάνας για να επιλέξετε την επιθυμητή μπάνα συχνότητας.
3. Πιέστε το επιθυμητό κουμπί προεπιλογής στιγμιαία. Πατήστε τον αριθμό προεπιλογής και η συχνότητα του σταθμού θα εμφανιστεί στην ένδειξη.

ΑΚΡΟΑΣΗ ΜΟΥΣΙΚΗΣ ΜΕΣΩ ΡΟΗΣ BLUETOOTH

Πρέπει να αντιστοιχίσετε τη συσκευή Bluetooth με το ραδιόφωνο προτού μπορέσετε να συνδεθείτε αυτόματα για αναπαραγωγή/ροή μουσικής Bluetooth μέσω του ραδιοφώνου. Η αντιστοίχιση δημιουργεί έναν "δεσμό" ώστε οι δύο συσκευές να μπορούν να αναγνωρίσουν η μία την άλλη.

ΣΗΜΕΙΩΣΗ:

Για να έχετε την καλύτερη ποιότητα ήχου, συνιστούμε τη ρύθμιση της έντασης σε περισσότερο από τα δύο τρίτα του

επιπέδου στο Bluetooth σας και να ρυθμίσετε την ένταση του ήχου στο ραδιόφωνο όπως απαιτείται.

Αντιστοίχιση της συσκευής Bluetooth σας για πρώτη φορά

1. Πατήστε το κουμπί τροφοδοσίας για να ενεργοποιηθεί το ραδιόφωνο. Πατήστε το κουμπί μπάνας για να επιλέξετε τη λειτουργία Bluetooth. Η ένδειξη Bluetooth στα κουμπί προεπιλογών ρύθμισης αναβοσβήνει με μπλε χρώμα υποδεικνύοντας ότι το ραδιόφωνο μπορεί να ανιχνευθεί.
2. Ενεργοποιήστε το Bluetooth στη συσκευή σας σύμφωνα με το εγχειρίδιο χρήσης της συσκευής για σύνδεση με το ραδιόφωνο. Εντοπίστε τη λίστα συσκευών Bluetooth και επιλέξτε τη συσκευή με την ονομασία "DMR112" σε μερικά κινητά τηλέφωνα (τα οποία είναι εξοπλισμένα με παλαιότερες εκδόσεις συσκευής Bluetooth BT.2.1), μπορεί να χρειαστεί να εισαγάγετε τον κωδικό πρόσβασης "0000".
3. Αφού συνδεθείτε, θα υπάρξει τόνος επιβεβαίωσης και η ένδειξη Bluetooth στα κουμπί Προεπιλογής θα παραμείνει σταθερά σε μπλε χρώμα. Μπορείτε απλά να επιλέξετε και αναπαραγάγετε οποιαδήποτε μουσική από τη συσκευή προέλευσής σας. Ο έλεγχος έντασης μπορεί να ρυθμιστεί από την συσκευή πηγής σας ή απευθείας από το ραδιόφωνο.
4. Χρησιμοποιήστε τα χειριστήρια ελέγχου της συσκευής με δυνατότητα Bluetooth ή στο ραδιόφωνο για αναπαραγωγή/παύση και πλοήγηση κομματιών.

ΣΗΜΕΙΩΣΗ:

1. Εάν 2 συσκευές Bluetooth, συνδέονται για πρώτη φορά, και οι δύο σε αναζήτηση το ραδιόφωνο, θα δείξει τη διαθεσιμότητά του και στις δύο συσκευές. Ωστόσο, εάν μια συσκευή συνδεθεί με αυτή τη μονάδα πρώτα, τότε η άλλη συσκευή Bluetooth δεν θα τη βρει στη λίστα.
2. Αν η συσκευή Bluetooth σας αποσυνδεθεί προσωρινά από το ραδιόφωνο, τότε πρέπει να επανασυνδεθείτε με μη αυτόματο τρόπο ξανά στο ραδιόφωνο.
3. Αν το "DMR112" εμφανίζεται στη λίστα συσκευών Bluetooth σας, αλλά η συσκευή σας δεν μπορεί να συνδεθεί με αυτό, διαγράψτε το στοιχείο από τη λίστα σας και αντιστοιχίστε τη συσκευή με το ραδιόφωνο ακολουθώντας τα βήματα που περιγράφηκαν προηγουμένως.
4. Η βέλτιστη περιοχή ροής Bluetooth είναι περίπου 10 μέτρα (γραμμική έλαση) στο ραδιόφωνο, αλλά είναι εφικτή απόσταση μέχρι 30 μέτρα.
5. Σε περίπτωση απώλειας της σύνδεσης Bluetooth λόγω υπέρβασης του χρόνου διαχωρισμού, υπέρβασης της βέλτιστης απόστασης, εμποδίων ή με άλλο τρόπο, μπορεί να χρειαστεί να επανασυνδεθεί η συσκευή σας με το ραδιόφωνο.
6. Τα φυσικά εμπόδια, άλλες ασύρματες συσκευές ή

ηλεκτρομαγνητικές συσκευές ενδέχεται να επηρεάσουν την ποιότητα της σύνδεσης.

7. Η απόδοση σύνδεσης Bluetooth μπορεί να διαφέρει ανάλογα με τις συνδεδεμένες συσκευές Bluetooth. Παρακαλούμε ανατρέξτε στις δυνατότητες Bluetooth της συσκευής σας πριν τη σύνδεση με το ραδιόφωνο. Όλα τα χαρακτηριστικά μπορεί να μην υποστηρίζονται σε ορισμένες συσκευές.

Αναπαραγωγή αρχείων ήχου σε λειτουργία Bluetooth

Όταν έχετε συνδέσει με επιτυχία το ραδιόφωνο με την επιλεγμένη συσκευή Bluetooth μπορείτε να αρχίσετε να αναπαραγάγετε μουσική χρησιμοποιώντας τα χειριστήρια της συνδεδεμένης συσκευής Bluetooth.

1. Αφού αρχίσει η αναπαραγωγή, ρυθμίστε την ένταση στο απαιτούμενο επίπεδο χρησιμοποιώντας το κουμπί έντασης του ήχου στο ραδιόφωνο ή στην ενεργοποιημένη συσκευή Bluetooth.
2. Χρησιμοποιήστε τα στοιχεία ελέγχου στη συσκευή σας για αναπαραγωγή/παύση και πλοήγηση στα κομμάτια.

ΣΗΜΕΙΩΣΗ:

1. Μπορεί να μην ανταποκρίνονται όλες οι εφαρμογές ή συσκευές αναπαραγωγής σε όλα αυτά τα χειριστήρια.
2. Ορισμένα κινητά τηλέφωνα ενδέχεται να αποσυνδεθούν προσωρινά από το ραδιόφωνο όταν πραγματοποιείτε ή λαμβάνετε κλήσεις. Ορισμένες συσκευές ενδέχεται να απενεργοποιήσουν προσωρινά τον ήχο ροής Bluetooth όταν λαμβάνουν μηνύματα κειμένου, μηνύματα ηλεκτρονικού ταχυδρομείου ή για άλλους λόγους που δεν σχετίζονται με την μετάδοση ήχου. Αυτή η συμπεριφορά εξαρτάται από τη συνδεδεμένη συσκευή και δεν υποδεικνύει σφάλμα στο ραδιόφωνο.

Αναπαραγωγή μιας προηγούμενης συνδεδεμένης συσκευής πηγής Bluetooth

Το ραδιόφωνο μπορεί να απομνημονεύσει έως και 8 σετ συνδεδεμένων συσκευών, όταν η μνήμη υπερβαίνει αυτό το πλήθος, το παλαιότερο ζεύγος στο ιστορικό θα αντικατασταθεί. Εάν η συσκευή Bluetooth σας έχει ήδη αντιστοιχιστεί με το ραδιόφωνο προηγούμενως, η μονάδα θα απομνημονεύσει τη συσκευή Bluetooth και θα προσπαθήσει να επανασυνδεθεί με τη συσκευή στη μνήμη με την οποία συνδέθηκε τελευταία. Εάν η τελευταία συνδεδεμένη συσκευή δεν είναι διαθέσιμη, το ραδιόφωνο θα είναι ανιχνεύσιμο.

Αποσύνδεση της συσκευής Bluetooth

Πατήστε και κρατήστε πατημένο το κουμπί αντιστοίχισης Bluetooth για 2-3 δευτερόλεπτα για να αποσυνδεθείτε από τη συσκευή Bluetooth. Η ένδειξη Bluetooth στα κουμπιά προεπιλογών αναβοσβήνει με μπλε χρώμα και υποδεικνύει ότι το ραδιόφωνο μπορεί να εντοπιστεί και

πάλι για αντιστοίχιση.

ΒΟΗΘΗΤΙΚΗ ΥΠΟΔΟΧΗ ΕΙΣΟΔΟΥ

Παρέχονται δύο βοηθητικές στερεοφωνικές υποδοχές εισόδου 3,5 mm. Η μια είναι στο μπροστινό μέρος του ραδιόφωνα σας (AUX IN 1) · η άλλη βρίσκεται στο διαμέρισμα των μπαταριών (AUX IN 2).

1. Συνδέστε μια εξωτερική πηγή ήχου (για παράδειγμα, συσκευή αναπαραγωγής iPod,MP3 ή CD) στην Βοηθητική υποδοχή με καλώδιο ήχου.
2. Πίστετε επανειλημμένα και αφήστε το κουμπί μπάντας/εως ότου εμφανιστεί στην οθόνη η ένδειξη "AUX IN 1" ή "AUX IN 2", τότε ενεργοποιείται η λειτουργία AUX.
3. Για να έχετε την καλύτερη ποιότητα ήχου, συνιστούμε τη ρύθμιση της έντασης σε περισσότερο από τα δύο τρίτα του επιπέδου στο Bluetooth σας και να ρυθμίσετε την ένταση του ήχου στο ραδιόφωνο όπως απαιτείται.

ΣΗΜΕΙΩΣΗ:

Το καλώδιο ήχου δεν περιλαμβάνεται ως στάνταρ αξεσουάρ.

ΔΙΑΦΟΡΕΣ ΡΥΘΜΙΣΕΙΣ

Επιλογές γλώσσας

Υπάρχουν διαθέσιμες οκτώ επιλογές γλώσσας στο ραδιόφωνο:

Αγγλικά, Γερμανικά, Ιταλικά, Γαλλικά, Ολλανδικά, Δανικά, Νορβηγικά και Ισπανικά.

1. Πατήστε το κουμπί προηγμένων ρυθμίσεων.
2. Περιστρέψτε το κουμπί έντασης/ελέγχου συντονισμού/επιλογής μέχρι να εμφανιστεί στην οθόνη το "Γλώσσα". Πατήστε το κουμπί έντασης/ελέγχου συντονισμού/επιλογής για να εισάγετε τη ρύθμιση.
3. Περιστρέψτε το κουμπί έντασης/ελέγχου συντονισμού/επιλογής για να επιλέξετε την επιθυμητή γλώσσα. Πατήστε το κουμπί έντασης/ελέγχου συντονισμού/επιλογής για να επιβεβαιώσετε τη ρύθμισή σας.

Έλεγχος φωτεινότητας

Η φωτεινή ένδειξη κουμπιού μπορεί να προσαρμοστεί.

1. Πατήστε το κουμπί προηγμένων ρυθμίσεων.
2. Περιστρέψτε το Κουμπί Έντασης ήχου/Συντονισμού/Επιλογής μέχρι να εμφανιστεί η "Φωτεινή ένδειξη κουμπιού" στην οθόνη. Πατήστε το Κουμπί Έντασης ήχου/Συντονισμού/Επιλογής για να επιβεβαιώσετε τη ρύθμιση.
3. Περιστρέψτε το Κουμπί Έντασης ήχου/Συντονισμού/Επιλογής για να επιλέξετε "On" ή "Off" για να ενεργοποιήσετε ή να απενεργοποιήσετε τη λειτουργία Φωτεινής ένδειξης κουμπιού, στη συνέχεια πατήστε το Κουμπί Έντασης ήχου/Συντονισμού/Επιλογής για να

επιβεβαιώσετε τη ρύθμιση.

Επαναφορά συστήματος

Αν το ραδιόφωνό σας δεν λειτουργεί σωστά ή αν δεν εμφανίζονται κάποια ψηφία στην ένδειξη ή εμφανίζονται ατελώς, εκτελέστε την παρακάτω διαδικασία.

1. Πατήστε το κουμπί προηγμένων ρυθμίσεων.
2. Περιστρέψτε το κουμπί έντασης/ελέγχου συντονισμού/επιλογής μέχρι να εμφανιστεί στην οθόνη το "Εργαστασιακή επαναφορά". Πατήστε το κουμπί έντασης/ελέγχου συντονισμού/επιλογής για να εισάγετε τη ρύθμιση.
3. Περιστρέψτε το κουμπί έντασης/ελέγχου συντονισμού/επιλογής για να επιλέξετε το "Ναι". Πατήστε το κουμπί έντασης/ελέγχου συντονισμού/επιλογής για να επιβεβαιώσετε τη ρύθμιση και θα εκτελεστεί μια πλήρη επαναφορά.

Έκδοση λογισμικού

1. Πατήστε το κουμπί προηγμένων ρυθμίσεων.
2. Περιστρέψτε το κουμπί έντασης/ελέγχου συντονισμού/επιλογής μέχρι να εμφανιστεί στην οθόνη το "Έκδοση λογισμικού". Πατήστε το κουμπί έντασης/ελέγχου συντονισμού/επιλογής για να δείτε την έκδοση λογισμικού που είναι εγκαταστημένη στο ραδιόφωνο.

Θύρα μικρο-USB για αναβάθμιση λογισμικού

Μελλοντικές ενημερώσεις λογισμικού για το ραδιόφωνό σας μπορεί να είναι διαθέσιμες.

Στην **ιστοσελίδα Makita** μπορούν να βρεθούν οι διαθέσιμες ενημερώσεις λογισμικού και οι πληροφορίες για το πως θα γίνει η ενημέρωση του ραδιοφώνου σας.

ΣΥΝΤΗΡΗΣΗ

⚠ ΠΡΟΣΟΧΗ:

Μην χρησιμοποιήσετε βενζίνη, βενζόλη, διαλυτικό, αλκοόλη ή κάτι παρόμοιο. Μπορεί να προκληθεί αποχρωματισμός, παραμόρφωση ή ρωγμές.

Προδιαγραφές

| Απαιτήσεις ηλεκτρικού ρεύματος | |
|--------------------------------|---|
| Μετασχηματιστής ρεύματος AC | DC 12 V 1,2A, θετικός πόλος η κεντρική ακίδα |
| Μπαταρία | Συστοίχια μπαταρίας: 7,2 V - 10,8 V Συρόμενη μπαταρία: 10,8 V - 18 V |
| Συχνότητας κάλυψης | FM 87,50 - 108 MHz DAB/DAB+ 174,928-239,200 MHz |
| DAB/DAB+ Μπλοκ καναλιού | DAB (Μπάντα III) 5A-13F |
| Συμβατό πρότυπο | DAB/DAB+ |

| Bluetooth® | |
|--|--|
| (Το λεκτικό σήμα Bluetooth® και τα λογότυπα αποτελούν εμπορικά σήματα της Bluetooth SIG, Inc.) | |
| Έκδοση Bluetooth | 4,0 |
| Προφίλ Bluetooth | A2DP/SCMS-T |
| Ισχύς μετάδοσης | Κατηγορία ισχύος2 |
| Εύρος μετάδοσης | Βέλτιστο: Μέγιστο 10 μέτρα (33 πόδια) Δυνατότητα: Μέγ. 30 μέτρα (100 πόδια) (ποικίλλει ανάλογα με τις συνθήκες χρήσης) |
| Υποστηριζόμενη κωδικοποίηση | SBC,AAC |
| Συμβατό προφίλ Bluetooth | A2DP |
| Μέγιστη ισχύς ραδιοσυχνότητας: | BT EDR: 3,12dBm BT LE: 2,31dBm |
| Συχνότητα λειτουργίας | 2402MHz~2480MHz |

| Χαρακτηριστικό κυκλώματος | |
|---------------------------|--|
| Ηχείο | 3,5 ιντσών 32 ohm x 2 |
| Ισχύς εξόδου | 7,2 V: 0,6 W X 2 12Vμεγ.: 1,7 W X 2 14,4 V: 3 W X 2 18 V: 4,9 W X 2 |
| Τερματικό εισόδου | Διαμ. 3,5 mm (AUX IN1/AUX IN2) |
| Σύστημα κεραίας | DAB/FM: Μαλακή λυγισμένη ράβδος κεραίας |
| Διαστάσεις (Μ x Π x Υ) | 282 x 163 x 294 mm |
| Βάρος | 4,3KG (χωρίς μπαταρία) |

TÜRKÇE (Orijinal talimatlar)

GENEL GÖRÜNÜM AÇIKLAMASI (Resim 1~5)

1. Yumuşak bükülebilir çubuk anten
2. Pil bölmesi kilitli yuvası
3. Sap
4. Pil bölmesi kapağı (Pil kartuşunu kapatır)
5. DC giriş yuvası
6. Hoparlör
7. Güç düğmesi
8. Bant düğmesi
9. Gelişmiş ayar düğmesi
10. Bilgi düğmesi
11. Ön ayar 2-5
12. Otomatik ayar düğmesi
13. Ses/Ayar Kontrol/Seçim Düğmesi
14. USB güç kaynağı bağlantı noktası
15. AUX GİRİŞİ 1
16. Ön ayar 1/Bluetooth eşleştirme düğmesi
17. LCD ekran
18. Giriş terminali (AUX GİRİŞİ 2)
19. Pil bölmesi
20. Yazılım yükseltme için Mikro USB bağlantı noktası
21. Pil kartuşu

SEMBOLLER

Aşağıdakiler ekipman için kullanılan simgeleri göstermektedir. Kullanmadan önce anlamlarını anladığınızdan emin olun.



Kullanma kılavuzunu okuyun.



Yalnızca AB ülkeleri için Elektrikli ekipmanı veya pil takımını ev atık malzemeleriyle birlikte çöpe atmayın! Elektrikli ve Elektronik Ekipmanların ve Piller ve Akümülatörlerin ve Atık Pillerin ve Akümülatörlerin Çöpe Atılmasında Avrupa Direktiflerinin yerine getirilmesi ve Avrupa Direktiflerinin ulusal kanunlara uygun olarak ömrünün sonuna gelmiş elektrikli ekipmanlar ve piller ile pil takımlarının ayrı olarak toplanması ve çevreye uyumlu bir geri dönüşüm tesisine iade edilmesinde uygulanması.

ÖNEMLİ GÜVENLİK TALİMATLARI

⚠ UYARI:

Elektrikli aletler kullanılırken, yangın, elektrik çarpması, aşağıdakiler de dahil olmak üzere kişisel yaralanma risklerinin azaltılması için temel güvenlik önlemlerine sürekli uyulmalıdır:

1. Kullanmadan önce bu kullanma kılavuzu ile şarj cihazı kullanma kılavuzunu dikkatle okuyun.
2. Yalnızca kuru bezle temizleyin.
3. Radyatörler, kalorifer ızgaraları, soba veya ısı üreten diğer cihazlar (amplifikatörler de dahil) gibi herhangi bir ısı kaynağının yakınına kurmayın.
4. Yalnızca üretici tarafından belirtilen eklentileri/ aksesuarları kullanın.
5. Şimşekli fırtınalar sırasında veya çok uzun bir süre boyunca kullanılmadığında bu cihazı fişten çıkarın.
6. İçinde bulunan pillerle veya ayrı bir pil takımıyla çalışan bir radyo, ancak ilgili pile ait özel şarj cihazı ile şarj edilmelidir. Herhangi bir pil türü için uygun olan bir şarj cihazı, başka bir pille kullanıldığında yangın riski oluşturabilir.
7. Pille çalışan radyoyu özel olarak tasarlanmış pil takımlarıyla birlikte kullanın. Başka pillerin kullanımı yangın riski oluşturabilir.
8. Pil takımı kullanımda değilken pil takımını; kağıt atacı, bozuk para, anahtar, çivi, civata veya diğer küçük metal nesnelere gibi bir kutuptan diğerine bağlantı yapabilecek diğer metal nesnelere uzak tutun. Pil kutuplarının bir arada kısa devre yaptırılması kıvılcım, yanık veya yangına neden olabilir.
9. Boru, radyatör, ocak ve buzdolabı gibi topraklanmış yüzeylerle vücut temasından kaçının. Vücudunuzun toprakla temas etmesi halinde yüksek derece elektrik çarpması riski bulunmaktadır.
10. Kötü koşullar altında pilden sıvı boşalabilir; temas etmekten kaçının. Kaza ile temasta bulunulması durumunda su ile yıkayın. Sıvının göze temas etmesi halinde tıbbi yardıma başvurun. Pilden çıkan sıvı tahrişe veya yanmaya neden olabilir.
11. Bozuk veya değiştirilmiş pil takımı veya araçlar kullanmayın. Bozuk veya değiştirilmiş piller; yangın, patlama veya yaralanma riskiyle sonuçlanan beklenmedik davranışlar sergileyebilirler.
12. Pil takımını veya aracı ateşe ya da aşırı sıcaklığa maruz bırakmayın. Ateşe veya 130°C derecenin üzerinde sıcaklığa maruz kalması patlamaya neden olabilir.
13. Tüm şarj talimatlarını izleyin ve pil takımı ya da aracı talimatlarda belirtilen sıcaklık aralıklarının dışında şarj etmeyin. Uygun olmayan koşullarda veya belirtilen sıcaklık aralıklarının dışında şarj etmek pile zarar verebilir ve yangın riskini artırabilir.

14. Cihazın bağlantısının kesilmesi için ANA ŞEBEKE fişi kullanılır ve cihaz kolayca çalışır durumda kalır.
15. Ürünü hiç bir zaman uzun süre boyunca yüksek seste kullanmayın. Herhangi bir duyma bozukluğundan kaçınmak için ürünü orta ses seviyesinde kullanın.
16. (Yalnızca LCD ekranlı ürünler için) LCD ekranlar, tahriş ve zehirlenmeye neden olabilecek sıvı içermektedir. Sıvı maddenin gözler, ağız veya ciltle temas etmesi durumunda suyla yıkayın ve bir doktor çağırın.
17. Ürünün yağmur veya ıslak koşullara maruz kalmasına izin vermeyin. Ürüne giren su elektrik çarpması riskini artırır.
18. Bu ürün, kendilerine güvenliklerinden sorumlu bir kişi tarafından ürünün kullanımına ilişkin olarak gözetim ve talimatlar verilmediği sürece, fiziksel, duyuusal veya zihinsel kabiliyetleri sınırlı veya deneyimsiz ve bilgisi olmayan kişilerin (çocuklar da dahil) kullanımı amaçlı değildir. Çocukların ürünle oynamadıklarından emin olunması için kontrol edilmesi gerekmektedir. Ürünü çocukların ulaşamayacağı bir yerde muhafaza edin.
9. Hasarlı pili kullanmayın.
10. Riski ortadan kaldırmak için, kullanmadan önce değiştirilen pilin kullanım kılavuzu okunmalıdır. Ve pilin maksimum deşarj akımı 8A eşit veya büyük olmalıdır.
11. İçerisinde lityum-iyon bulunan piller Tehlikeli Maddeler Mevzuat gereksinimlerine tabidir. Ticari taşımalar için, yani üçüncü taraflar, nakliye acenteleri için, ambalaj ve etiketlemede özel gereksinimlerin yerine getirilmesi gerekir. Sevki edilen malzemenin hazırlanması için, tehlikeli madde uzmanına danışılması gerekir. Lütfen ayrıca muhtemelen daha ayrıntılı bilgiler içeren ulusal düzenlemeleri de dikkate alın. Açık temas noktalarını bantlayın veya kapatın ve pili ambalaj içerisinde hareket ettiremeyecek şekilde ambalajlayın.
12. Pilin atılmasıyla ilgili, yerel düzenlemelere uygun hareket edin.
13. Pilleri, yalnızca Makita tarafından belirtilen ürünlerle kullanın. Pillerin, uyumlu olmayan ürünlere takılması yangın, aşırı ısınma, patlama veya elektrolit sızıntısına neden olabilir.

BU TALİMATLARI KAYDEDİN

ÖZEL GÜVENLİK KURALLARI

PİL KARTUŞU İÇİN

1. PİL kartuşu kullanmadan önce (1) pil şarj cihazı, (2) pil ve (3) pil kullanan ürün üzerinde bulunan tüm talimatları ve uyarı işaretlerini okuyun.
2. PİL kartuşunu sökmeyin.
3. Çalışma süresinin aşırı kısa olması durumunda, hemen çalışmayı durdurun. Bu durum aşırı ısınma, olası yanıklar ve hatta patlama riskine neden olabilir.
4. Gözlerinize elektrolit kaçması durumunda, temiz su ile gözlerinizi yıkayın ve derhal tıbbi yardıma başvurun. Aksi takdirde görme kaybı yaşayabilirsiniz.
5. PİL kartuşunu kısa devre yaptırmayın:
 - (1) Kutuplara herhangi bir iletken malzeme ile dokunmayın.
 - (2) PİL kartuşunu; çivi, bozuk para vb. gibi diğer metal nesnelere birlikte aynı kutuda bulundurmaktan kaçının.
 - (3) PİL kartuşunu suya veya yağmura maruz bırakmayın. Pilin kısa devre yapması büyük bir akıma, aşırı ısınmaya, olası yanıklara ve hatta arızaya neden olabilir.
6. Aracı ve PİL kartuşunu sıcaklığın 50 °C(122°F) dereceye ulaştığı veya geçtiği yerlerde muhafaza etmeyin
7. PİL kartuşunu ciddi şekilde tahrip olmuş veya tamamen yıpranmış olsa bile yakmayın. PİL kartuşu herhangi bir yangın sırasında patlayabilir.
8. Pili düşürmemeye veya çarpmaya dikkat gösterin.

⚠ DİKKAT:

- Pili yanlış takılması durumunda patlama tehlikesiyle karşı karşıya kalınabilir.
- Pili, aynı türden veya eşdeğer bir pille değiştirin.
- Yalnızca orijinal Makita pilleri kullanım, kullanın. Orijinal olmayan Makita pilleri veya değiştirilmiş piller kullanılması, yangın, kişisel yaralanma ve hasara neden olabilecek PİL patlamasıyla sonuçlanabilir. Bu aynı zamanda Makita aracı ve şarj cihazı için Makita garantisini de geçersiz kılacaktır.

Maksimum PİL ömrü elde etmek için ipuçları

1. Tamamen şarjı bitmeden önce PİL kartuşunu şarj edin. Araçta enerjinin az olduğunu farkettiğinizde daima aracın çalışmasını durdurun ve PİL kartuşunu şarj edin.
2. Tam şarj edilmiş PİL kartuşunu hiç bir zaman yeniden şarj etmeyin. Aşırı şarj PİL'in çalışma ömrünü kısaltır.
3. PİL kartuşunu 10 °C - 40 °C (50 °F - 104 °F) derece oda sıcaklığında şarj edin. Isınmış PİL kartuşunu şarj etmeden önce soğumasını bekleyin.
4. Uzun süre kullanmadığımız durumlarda (altı aydan fazla süredir) PİL kartuşunu şarj edin.

ÇALIŞMA SÜRESİ

* Aşağıdaki tabloda tek bir şarjla çalışma süresi gösterilmektedir.

| Pil Kapasitesi | Pil Kartuşu Voltajı | | | | | HOPARLÖR ÇIKIŞINDA = 100mW Birim: Saat (Yaklaşık) | |
|----------------|---------------------|--------|--------------------|-------------------|-------------------|--|--------------------------------|
| | 7.2 V | 10.8 V | 10.8 V – 12Vmax | 14.4 V | 18 V | Radyoda ya da AUX'de | Radyoda USB şarj ile (1.0A) |
| 1.0 Ah | BL7010 | | | | | 5.0 | 0.7 |
| 1.3 Ah | | BL1013 | | | | 7.0 | 0.9 |
| | | | | BL1415 | | 5.5 | 1.7 |
| | | | | | BL1815 | 6.0 | 1.9 |
| 1.5 Ah | BL0715 | | | | | 7.5 | 1.0 |
| | | | BL1015 BL1016 | | | 8.5 | 1.7 |
| | | | | BL1415N | | 7.0 | 2.0 |
| | | | | | BL1815N | 7.5 | 2.0 |
| 2.0 Ah | | | BL1020B BL1021B | | | 11 | 2.0 |
| | | | | | BL1820 BL1820B | 10 | 3.0 |
| 3.0 Ah | | | | BL1430 BL1430B | | 12 | 3.5 |
| | | | | | BL1830 BL1830B | 14 | 4.0 |
| 4.0 Ah | | | BL1040B BL1041B | | | 21 | 4.0 |
| | | | | BL1440 | | 19 | 5.5 |
| | | | | | BL1840 BL1840B | 20 | 6.0 |
| 5.0 Ah | | | | BL1450 | | 23 | 6.5 |
| | | | | | BL1850 BL1850B | 26 | 8.0 |
| 6.0 Ah | | | | BL1460B | | 25 | 7.5 |
| | | | | | BL1860B | 31 | 9.5 |

: Paket pil : Kayar pil

⚠ UYARI:

Yalnızca yukarıda listelenen pil kartuşlarını kullanın. Başka pil kartuşlarının kullanılması yaralanma ve/veya yangına neden olabilir.

Not:

Yukarıdaki pil çalışma süresine ilişkin tablo, bilgi amaçlıdır. Gerçek çalışma süresi pil türü, şarj koşulu veya kullanma ortamına göre farklılık gösterebilir.

PİLLERİN TAKILMASI VE ÜÇ KAYNAĞ

⚠ DİKKAT:

- Pil kapağını açarken veya kapatırken parmaklarınızı sıkıştırmamak için dikkat edin.
- Pil kartuşunu taktıktan veya çıkardıktan sonra pil bölmesi kilidini orijinal konumuna getirin. Yerine tam olarak yerleştirilmediği takdirde pil kartuşu kaza ile radyodan dışarı düşebilir ve size veya çevrenizdeki başka kişilere zarar verebilir.
- Radyoyu taşımadan önce her zaman pil yuvası kilidini kapatın ve kilitleyin.
- Pil kartuşunu takmadan veya çıkarmadan önce her zaman radyoyu kapatın.
- Radyoyu düşürmemeye veya çarpmamaya dikkat gösterin. Kırık gövde parmağınızı kesebilir veya vücudunuza bataabilir. Bozuk radyo; yangın, patlama veya yaralanma riskiyle sonuçlanan beklenmedik davranışlar sergileyebilir.

ÖNEMLİ:

- Düşük güç, bozulma, “kesik kesik ses” veya “GÜÇ ARIZASI” gibi şeylerin ekranda görünmesi durumunda tüm bunlar ana pil paketinin değiştirilmesi gerektiğini gösterir.
- Pil kartuşu verilen AC güç adaptörleriyle şarj edilemez.
- Pil kartuşu standart aksesuarlara dahil değildir.

Kayan pil kartuşunun takılması ve çıkarılması (Resim 2 ve 3)

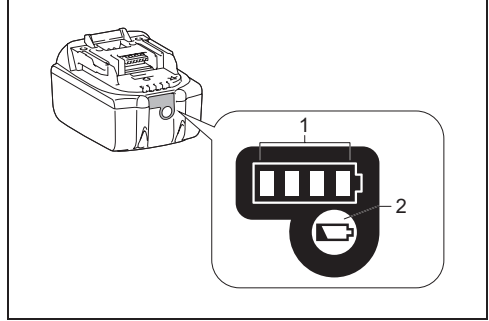
1. Pil kartuşunu takmak için pil kartuşundaki dili muhafaza içindeki yivle aynı hizaya getirin ve yerine doğru kaydırın. Her zaman küçük bir tık sesiyle yerine tam olarak oturana kadar yerleştirin.
2. Düğmenin üst tarafında kırmızı göstergeli görebiliyorsanız tamamen oturmamış demektir. Kırmızı gösterge görünmeyene kadar tam olarak yerine yerleştirin. Yerine tam olarak yerleştirilmediği takdirde pil kaza ile radyodan dışarı düşebilir ve size veya çevrenizdeki başka kişilere zarar verebilir.
3. Pil kartuşunu yerleştirirken güç kullanmayın. Kartuş içeride kolayca kaymıyorsa doğru yerleştirilmemiş demektir.
4. Pil kartuşunu çıkarmak için, kartuşun ön kısmındaki düğmeyi kaydırırken pil kartuşunu radyodan kaydırarak çıkarın.

Paket pil kartuşunun takılması ve çıkarılması (Resim 4 ve 5)

1. Pil kartuşunu takmak için pil kartuşundaki dili muhafaza içindeki yivle aynı hizaya getirin ve yerine doğru kaydırın.
2. Pil kartuşunu çıkarmak için, kartuşun yanındaki düğmelere basarken pili kutuplarından tutarak dışarı çıkarın.

Kalan pil kapasitesinin gösterilmesi

* *Yalnızca model numarasının sonunda "B" harfi olan pil kartuşları için.*



➤ 1. Gösterge lambaları 2. Kontrol düğmesi

Kalan pil kapasitesinin gösterilmesi için pil kartuşundaki kontrol düğmesine basın. Gösterge lambaları birkaç saniye süre ile yanacaktır.

• 14.4V/18V piller

| Gösterge veya lambalar | | | Kalan Kapasite |
|------------------------|--------|---------------|-----------------|
| Yanıyor | Kapalı | Yanıp sönüyor | |
| ■ | □ | ▣ | 75% ~ 100% |
| ■ ■ ■ ■ | | | |
| ■ ■ ■ □ | | | 50% ~ 75% |
| ■ □ □ □ | | | 25% ~ 50% |
| ■ □ □ □ | | | 0% ~ 25% |
| ▣ □ □ □ | | | Pili şarj et |
| ■ ■ □ □ | | | Pil arızalanmış |
| □ □ ■ ■ | | | |

• 10.8V-12V maks piller

| Gösterge veya lambalar | | | Kalan Kapasite |
|------------------------|--------|---------------|----------------|
| Yanıyor | Kapalı | Yanıp sönüyor | |
| ■ | □ | ▣ | 75% ~ 100% |
| ■ ■ ■ ■ | | | |
| ■ ■ ■ □ | | | 50% ~ 75% |
| ■ ■ □ □ | | | 25% ~ 50% |
| ■ □ □ □ | | | 0% ~ 25% |

NOT:

Kullanım koşulları ve ortam sıcaklığına bağlı olarak, gösterge gerçek kapasiteden biraz farklı olabilir.

Yumuşak, bükülebilir çubuk antenin kullanılması (Resim 1)

Yumuşak, bükülebilir çubuk anteni, şekilde gösterildiği gibi doğrultun.

Birlikte verilen AC güç adaptörünün kullanılması

Lastik koruyucuyu çıkarın ve adaptör fişini radyonun sağ tarafından bulunan DC yuvasına takın.

Adaptörü standart ana şebeke fişi çıkışına takın.

Adaptörü her kullandığınızda pil takımının bağlantısı otomatik olarak kesilir.

⚠ DİKKAT:

- Radyoyu taşımadan önce her zaman AC güç adaptörü bağlantısını kesin. AC adaptörü çıkarılmazsa elektrik çarpmasına neden olabilir.
- Hiç bir zaman adaptörün kablosunu çekmeyin veya sürüklemeyin. Yerine tam olarak yerleştirilmediği takdirde pil kaza ile düşebilir ve size veya çevrenizdeki başka kişilere zarar verebilir.

ÖNEMLİ:

- Radyonun ana şebeke güç kaynağına bağlantısını sağlama aracı olarak şebeke adaptörü kullanılır. Radyo için kullanılan ana şebeke yuvası normal kullanım sırasında her zaman erişilebilir olmalıdır.
- Radyonun bağlantısının tamamen kesilmesi için, ana şebeke adaptörü ana şebeke çıkış noktasından tamamen çıkarılmalıdır.
- Yalnızca ürünle birlikte verilen veya Makita tarafından belirtilen AC güç adaptörü kullanın.
- Güç kablosunu ağızınızla tutup takmayın. Böyle yaptığınızda elektrik çarpmasına neden olabilir.
- Güç kablosuna ıslak veya yağlı ellerle dokunmayın.
- Zarar görmüş veya düğümlemiş kablolar elektrik çarpması riskini artırır. Kablo hasar gördüğünde, herhangi bir güvenlik tehlikesini önlemek için yetkili servis merkezimizde kablounuzu değiştirin. Onarmadan önce onu kullanmayın.
- Kullandıktan sonra AC güç adaptörünü her zaman çocukların erişemeyeceği bir yerde muhafaza edin. Çocukların kabloyla oynaması yaralanmalarına neden olabilir.

USB güç kaynağı bağlantı noktası ile şarj etme

Radyonun ön kısmında bir USB bağlantı noktası vardır. USB cihazınızı USB bağlantı noktası aracılığıyla şarj edebilirsiniz.

1. iPod, MP3, veya CD çalar gibi cihazlarınızı piyasada bulunan USB kablolarıyla bağlayabilirsiniz.

2. Radyonuzu açmak için Power (Güç) düğmesine basın.
3. Radyonuz ister AC güce, isterse pile bağlı olsun; açık olduğunda, FM/DAB radyo modunda, BT modunda, harici bir ses kaynağı bağlandığında görünecek AUX modunda olduğunda, USB cihazı şarj edebilir.

NOT:

- USB ile şarj edildiği esnada hoparlörün maksimum ses çıkışı azalacaktır.
- USB soketi maksimum 1A5V elektrik akımı sağlayabilir.

ÖNEMLİ:

- USB cihazını USB bağlantı noktasına bağlamadan önce her zaman USB cihazınızdaki verileri yedekleyin. Aksi takdirde verilerinizi kaybetme olasılığıyla karşı karşıya kalabilirsiniz.
- Radyo bazı USB cihazlarına güç sağlamayabilir.
- Kullanmadığınızda veya şarjdan sonra USB kablosunu çıkarın ve kapağını kapatın.
- USB bağlantı noktasına güç kaynağı bağlamayın. Aksi takdirde yangın riski olabilir. USB bağlantı noktası yalnızca düşük voltaj cihazların şarj edilmesi amaçlıdır. Düşük voltajlı cihazı şarj etmediğiniz zamanlarda daima kapağı USB bağlantı noktasına takın.
- USB güç kaynağı bağlantı noktasına çivi, tel vb. gibi cisimler sokmayın. Aksi takdirde olabilecek bir kısa devre dumana ve yangına neden olacaktır.
- Büyük ihtimalle ünitelerin arızalanmasına neden olabileceğinden bu USB yuvası ile Bilgisayarınızın USB bağlantı noktası arasında bağlantı yapmayın.

RADYO DİNLEME

Bu radyoda üç ayar yöntemi vardır - Tarama ile ayarlar, Manüel ayarlar ve Hafızadaki ön ayarların yüklenmesi.

Bir istasyon seçimi – DAB

1. Radyonuzu açmak için Power (Güç) düğmesine basın.
2. Bant düğmesine basarak DAB modu seçin.
3. Gelişmiş ayar düğmesine basın ve ekranda "İstasyon Listesi" yanıp sönene kadar Ses/Ayar Kontrol/Seçim düğmesini döndürün. İstasyon listesini girmek için Ses/Ayar Kontrol/Seçim düğmesine basın.
4. Dinlenebilir istasyonlar listesi arasında gezinmek için Ses/Ayar Kontrol/Seçim düğmesini çevirin. İstasyon seçmek için düğmeye basın.
5. Ses/Ayar Kontrol/Seçim düğmesini çevirerek istediğiniz ses seviyesini ayarlayın.

Ekran modlar – DAB

Radyonuzun DAB modunda bir dizi ekran seçeneği vardır. Aşağıdaki harflerde (a.'dan g.'ye) gösterilen farklı seçenekler arasında geçiş yapmak için Info düğmesine basın.

- | | |
|-----------------|---|
| a. İstasyon adı | Dinlenmekte olan istasyonun adını gösterir. |
|-----------------|---|

| | |
|----------------------|---|
| b. Program türü | Dinlenmekte olan istasyonun türünü gösterir. Örn. Pop, Klasik, Haberler, vb. |
| c. Çoğullama adı | Mevcut istasyonun ait olduğu çoğullama adını gösterir. |
| d. Saat & tarih | Şu andaki saati ve tarihi gösterir. |
| e. Frekans ve kanal | Şu anda ayarlanan DAB istasyonu için frekans ve kanal numarasını gösterir. |
| f. Bit hızı/Ses türü | Şu anda ayarlanan DAB istasyonu için dijital ses bit hızı ve ses türünü gösterir. |
| g. Sinyal gücü | Şu anda ayarlanan DAB istasyonu için sinyal gücünü gösterir. |

| | |
|-------------|--|
| Alfasayısal | İstasyon istesini alfa-sayısal olarak 0...9 A...Z arasında sıralar |
| Toplama | İstasyon listesini DAB çoğullamaya göre düzenler |
| Geçerli | Yalnızca herhangi bir sinyalin bulunabildiği istasyonları gösterir |

Dinamik Aralık Kontrolü (DRC) – DAB

DRC özelliği; radyonuz gürültülü bir ortamda kullanıldığında, ses sinyalinin dinamik aralığını azaltarak daha sessiz seslerin kolay duyulabilmesini sağlar. Üç sıkıştırma seviyesi vardır:

| | |
|---------|--------------------------------|
| DRC 0 | Hiç sıkıştırma uygulanmaz. |
| DRC 1/2 | Orta sıkıştırma uygulanır. |
| DRC 1 | Maksimum sıkıştırma uygulanır. |

1. Radyonuzu açmak için Power (Güç) düğmesine basın.
2. DAB bandı seçmek için Bant düğmesine basın.
3. Gelişmiş ayar düğmesine basın ve ekranda "DRC Değeri" gösterilene kadar Ses/Ayar Kontrol/Seçim düğmesini çevirin. Daha sonra ayarlara girmek için Ses/Ayar Kontrol/Seçim düğmesine basın. Ekranda geçerli DRC değeri gösterilir.
4. İstenilen DRC ayarlarını seçmek için Ses/Ayar Kontrol/Seçim düğmesini çevirin.
5. Ayarları onaylamak için Ses/Ayar Kontrol/Seçim düğmesine basın.

Tarama Ayarı – FM

1. Radyoyu açmak için Güç düğmesine basın.
2. Bant düğmesine basarak istenilen dalga bandını seçin. En iyi FM yakalaması için yumuşak bükülebilir çubuk antenin düzgün yerleştirildiğinden emin olun. Radyonuz, bir bilgisayar ekranı ve diğer ekipmanlar gibi radyoya parazit oluşturabilecek cihazların yanında çalıştırmaktan kaçınınız.
3. Otomatik ayar düğmesine bastığınızda radyonuz arama yapacak ve bir istasyon bulduğunda otomatik olarak duracaktır. Radyo, operatör taramayı durdurmak için Otomatik arama düğmesine basana kadar sonraki dinlenebilir istasyona aramaya devam edecektir.
4. İstenilen ses seviyesini elde etmek için Ses/Ayar Kontrol/Seçim düğmesini çevirin. LCD ekranda ses düzeyi değişiklikleri gösterilir.
5. Radyoyu kapatmak için Güç düğmesine basın.

FM tarama bölgesi

FM modunu kullanırken, radyonuzda yerel ya da uzak radyo istasyonları da dahil hiç bir istasyonu ayarlayamazsınız.

1. Radyoyu açmak için Güç düğmesine basın.
2. FM bandı seçmek için Bant düğmesine basın.
3. Gelişmiş ayar düğmesine basın ve daha sonra ekranda "FM Tarama Bölgesi" gösterilene kadar Ses/Ayar Kontrol/Seçim düğmesini çevirin. Ayarlara girmek için

Yeni istasyonlar bulunması – DAB

Zaman zaman, dinlenebilir yeni DAB radyo istasyonları çıkabilir. Veya ülkenin başka bir yerine gidebilirsiniz. Bu durumda yeni istasyonları taraması için radyonuzu etkinleştirmeniz gerekebilir.

Radyonun dinlenebilen istasyonları bulmasını sağlamak için, DAB Bant III frekanslarının tamamının bir taramasını yapılması önerilir.

1. Otomatik ayar düğmesine basın.
2. Radyonuz DAB frekanslarının tam bir taramasını gerçekleştirecektir. Yeni istasyonlar bulunduğunda ekranın sol tarafındaki istasyon sayacı artacak ve istasyonlar listeye artacaktır.

Manüel ayarlama – DAB

Manüel ayarlama ile radyonuzu Bant III'de belirli bir DAB frekansına ayarlayabilirsiniz. Bu işlev ayrıca antenin veya radyonun belirli bir kanalı veya frekansı yakalamasını en iyi hale getirecek şekilde konumlandırılmasına yardım etmek için de kullanılabilir.

1. Gelişmiş ayar düğmesine basın ve ekranda "Manüel Ayar" gösterilene kadar Ses/Ayar Kontrol/Seçim düğmesini çevirin. Manuel ayar moduna girmek için Ses/Ayar Kontrol/Seçim düğmesine basın.
2. İstenilen DAB kanalını seçmek için Ses/Ayar Kontrol/Seçim düğmesini çevirin. Seçilen frekans onaylamak için Ses/Ayar Kontrol/Seçim düğmesine basın.

İstasyon sırası ayarlama – DAB

Radyonuzda seçebileceğiniz 3 istasyon sırası ayarı vardır. İstasyon sırası ayarları; alfasayısal, toplama ve geçerli istasyon şeklindedir.

1. Gelişmiş ayar düğmesine basın.
2. Ekranda "İstasyon sırası" görünene kadar, Ses/Ayar Kontrol/Seçim düğmesini çevirin ve daha sonra ayarı girmek için Ses/Ayar Kontrol/Seçim düğmesine basın.
3. Aşağıdaki seçeneklerden seçim yapmak için Ses/Ayar Kontrol/Seçim düğmesini çevirin ve ayarı onaylamak için düğmeye basın.

- Ses/Ayar Kontrol/Seçim düğmesine basın.
- Ekranın alt satırındaki "Yerel" (yalnızca güçlü istasyonlar) ve "Uzak" (Tüm istasyonlar) seçenekleri arasında geçiş yapmak için Ses/Ayar Kontrol/Seçim düğmesini çevirin. Uzak seçeneği, tarama sırasında radyonun daha zayıf sinyalleri bulmasını sağlayacaktır.
 - Seçiminizi onaylamak için Ses/Ayar Kontrol/Seçim düğmesine basın. Yerel veya Uzak ayarı radyoda kaydedilir ve değiştirilene veya Sistem Sıfırlamasına kadar geçerli kalır.

Manüel Ayarlama – FM

- Radyoyu açmak için Güç düğmesine basın.
- İstenilen dalga bandını seçmek için Bant düğmesine basın. Yukarıda belirtildiği gibi anteni ayarlayın.
- Ses/Ayar Kontrol/Seçim düğmesini çevirdiğinizde frekans aşağıdaki artış aralığında değiştirilecektir: FM: 50 kHz
NOT:
İsteddiğiniz istasyonu bulmak amacıyla Ses/Ayar Kontrol/Seçim düğmesini kullanmak için, Ses/Ayar Kontrol/Seçim düğmesine basın ve arama kontrol moduna geçiş yapın.
- Ekranı istenilen frekans gösterilene kadar Ses/Ayar Kontrol/Seçim düğmesini çevirmeye devam edin.
- İstenilen ses seviyesini elde etmek için Ses/Ayar Kontrol/Seçim düğmesini çevirin.
- Radyoyu kapatmak için Güç düğmesine basın.

Ekran modları – FM (RDS)

Radyonuzun FM radyo modunda bir dizi ekran seçeneği vardır.

Dinlediğiniz istasyonun RDS (Radyo Veri Sistemi) bilgisini görmek için üst üste Info düğmesine basın.

- | | |
|----------------------|---|
| a. Program istasyonu | Dinlenmekte olan istasyonun adını gösterir. |
| b. Frekans | FM sinyalinin frekansını gösterir. |
| c. Radyo metni | Yeni şeyler vb gibi metin mesajlarını gösterir. |
| d. Program türü | Pop, Klasik, Haber vb gibi dinlenmekte olan istasyonun türünü gösterir. |
| e. Saat & tarih | Şu andaki saati ve tarihi gösterir. |

İstasyonların ön ayarlı hafızalara kaydedilmesi (DAB ve FM)

Her dalga bandı için 5 hafıza ön ayarı vardır.

- Radyoyu açmak için Güç düğmesine basın.
- Daha önceden anlatılan yöntemlerden birisini kullanarak istenilen istasyona ayarlayın.
- Ekranı ön ayar numarası görünene kadar istenilen Ön ayar düğmesine basılı tutun, örneğin "P2 Kaydedildi" gibi. İstasyon daha sonra seçilen Ön ayar düğmesine kaydedilir.

- Geri kalan ön ayarlarda da bu prosedürü tekrarlayın.
- Yukarıdaki prosedürleri izleyerek Ön ayar hafızalarından kaydedilen istasyonların üzerine başka istasyonlar kaydedilebilir.

Ön ayarlı hafızalardan istasyonların getirilmesi (DAB ve FM)

- Radyoyu açmak için Güç düğmesine basın.
- İsteddiğiniz dalga bandını seçmek için Bant düğmesine basın.
- Anlık olarak istenilen Ön ayar düğmesine basın. Ekranda, Ön ayar numarası ve istasyon frekansı görünecektir.

BLUETOOTH YAYIN İLE MÜZİK DİNLEME

Radyo aracılığıyla Bluetooth müzik oynatma/yürütme otomatik bağlantısı yapmadan önce Bluetooth cihazınızın radyoya bağlantısını yapmanız gerekmektedir. Eşleştirme bir 'Bağ' oluşturduğundan iki cihaz daha sonra birbirini tanıyabileceklerdir.

NOT:

Daha iyi bir ses kalitesi elde etmek için Bluetooth cihazınızdaki ses seviyesini üçte ikiden daha yükseğe ayarlamaz ve daha sonra radyodaki sesi de gerektiği gibi ayarlamaz öneririz.

Bluetooth cihazınızın ilk kez eşleştirilmesi

- Radyoyu açmak için Güç düğmesine basın. Bluetooth modu seçmek için Bant düğmesine basın. Radyonun görülebilir olduğunu göstermek için Ön ayar düğmelerindeki Bluetooth göstergesi mavi yanıp söner.
- Cihazın kullanım kılavuzuna göre radyoya bağlanması için cihazınızda Bluetooth özelliğini etkinleştirin. Bluetooth cihaz listesini bulun ve 'DMR112' adlı cihazı seçin, bazı mobil cihazlarda (BT.2.1 Bluetooth cihazı önceki sürümüne sahip olanlar) şifre olarak "0000" girmeniz gerekebilir.
- Bağlantı kurduktan sonra bir onay tonu sesi duyacaksınız ve Ön ayar düğmeleri üzerindeki Bluetooth göstergesi sürekli mavi renkte yanıp kalacaktır. Tek yapmanız gereken kaynak cihazınızdan herhangi bir müziği seçmek ve oynatmak olacaktır. Ses kontrolü kaynak cihazınızdan veya doğrudan radyodan ayarlanabilir.
- Parçaları oynatmak/durdurmak ve parça listesinde gezinmek için Bluetooth etkinleştirilmiş cihazınızda veya radyoda bulunan kontrolleri kullanın.

NOT:

- Şayet ilk kez 2 Bluetooth cihazı eşleştiriliyorsa, her ikisi de radyoyu arayacak, her bir cihazda uygun olup olmadıkları gösterilecektir. Ancak, cihazlardan biri bu

üniteye ilk olarak bağlandığında, diğer Bluetooth cihazı diğer cihazı listede bulamayacaktır.

- Bluetooth cihazınızın radyo bağlantısının geçici olarak kesilmesi durumunda, cihazınızı yeniden elle radyoya bağlamanız gerekecektir.
- Bluetooth cihazınızın listesinde 'DMR112' görüntüleniyor ancak cihazınız araca bağlanamıyorsa, lütfen cihazı listenizden silin ve burada daha önce belirtilen adımları takip ederek cihazı radyo ile yeniden eşleştirin.
- En iyi Bluetooth yayını kapsama alanı yaklaşık olarak radyo ile 10 metre mesafedir (30 feet) (görüş mesafesi) ancak 30 metreye (100 feet) kadar mesafelerde de çekmesi mümkündür.
- Ayırma zamanının aşılması, en uygun mesafenin aşılması, engeller veya başka şeyler nedeniyle Bluetooth bağlantısının kesilmesi durumunda, cihazınızın tekrar radyoya bağlanması gerekebilir.
- Fiziksel engeller, diğer kablosuz cihazlar veya elektromanyetik cihazlar da bağlantı kalitesini etkileyebilir.
- Bluetooth bağlantı performansı bağlanan Bluetooth cihazlarına bağlı olarak değişiklik gösterebilir. Lütfen radyo bağlantısı yapmadan önce cihazınızın Bluetooth özelliklerine göz atın. Eşleştirilen bazı Bluetooth cihazlarında tüm özellikler desteklenmeyebilir.

Bluetooth modunda ses dosyalarını oynatma

Radyoyu seçmiş olduğunuz Bluetooth cihazına başarılı bir şekilde bağladığınızda, başlamış olduğunuz Bluetooth cihazınızdaki kontrolleri kullanarak müziklerinizi oynatmaya başlayabilirsiniz.

- Oynatmaya başladıktan sonra radyo veya etkinleştirdiğiniz Bluetooth cihazınız üzerindeki Ses düğmesini kullanarak sesi istediğiniz ayara getirebilirsiniz.
- Parçaları oynatmak/durdurmak ve parça listesinde gezinmek için cihazınızdaki kontrolleri kullanın.

NOT:

- Bu kontrollerin tamamına medya oynatıcı uygulamalar veya cihazların tamamının yanıt vermeyebileceğini aklınızda bulundurun.
- Arama yaparken veya cevaplarken bazı mobil telefonların radyo ile bağlantısı kesilebilir. Bazı cihazlar, kısa mesaj, e-posta alırken veya ses ortamı yürütmeye bağlı olmayan başka nedenlerle Bluetooth ses ortamı yürütme özelliğini geçici olarak sessize alabilir. Bu davranış bağlanan cihazın bir özelliğidir ve radyoda herhangi bir arıza olduğunu göstermez.

Daha önceden eşleştirilen bir Bluetooth kaynak cihazından oynatma

Radyo, 8 takım eşleşmiş cihaza kadar hafızada tutabilir,

bu bellek aşıldığında ise, en eski eşleştirme geçmişini silinerek yenisi üzerine yazılır. Bluetooth cihazınız radyoya önceden eşleşmiş ise, ünite Bluetooth cihazınızı hafızaya alır ve hafızada son olarak bağlanan cihaza yeniden bağlanmayı dener. En son bağlanan cihaza ulaşamıyorsa, radyo görünür duruma gelecektir.

Bluetooth cihazınızın bağlantısını kesme

Bluetooth cihazınızla bağlantıyı kesmek için, Bluetooth eşleştirme düğmesine 2-3 saniyelik basılı tutun. Radyonun eşleştirme için yeniden görünür duruma geldiğini göstermek için Ön ayar düğmeleri üzerindeki Bluetooth göstergesi mavi renkte yanıp söner.

YARDIMCI GİRİŞ YUVASI

İki adet 3.5 mm stereo Yardımcı Giriş yuvası bulunmaktadır. Bunlardan birisi radyonuzun önünde (AUX GİRİŞ 1); diğeri ise pil yuvasında (AUX GİRİŞ 2) bulunmaktadır.

- Ses kablosuyla Yardımcı Giriş yuvasına harici ses kaynağı (örneğin iPod, MP3 veya CD Çalar) bağlayabilirsiniz.
- "AUX GİRİŞ 1" veya "AUX GİRİŞ 2" gösterilene kadar Bant düğmesine üst üste basın ve bırakın, daha sonra AUX fonksiyonu etkinleşecektir.
- Daha iyi bir ses kalitesi elde etmek için ses cihazınızdaki ses seviyesini üçte ikiden daha yükseğe ayarlamayı ve daha sonra radyodaki sesi de gerektiği gibi ayarlamayı öneririz.

NOT:

Ses kablosu standart aksesuarlara dahil değildir.

ÇEŞİTLİ AYARLAR

Dil seçenekleri

Radyoda kullanılabilir sekiz dil seçeneği vardır: İngilizce, Almanca, İtalyanca, Fransızca, Hollandaca, Danca, Norveççe ve İspanyolca.

- Gelişmiş ayar düğmesine basın.
- Ekran "Dil" gösterilene kadar Ses/Ayar Kontrol/Seçim düğmesini çevirin. Ayarlara girmek için Ses/Ayar Kontrol/Seçim düğmesine basın.
- İstediğiniz dili seçmek için Ses/Ayar Kontrol/Seçim düğmesini çevirin. Ayarlarınızı onaylamak için Ses/Ayar Kontrol/Seçim düğmesine basın.

Parlaklık kontrolü

Düğme ışığı ayarlanabilir.

- Gelişmiş ayar düğmesine basın.
- Ekran "Düğme ışığı" gösterilene kadar Ses/Ayar Kontrol/Seçim düğmesini çevirin. Ayarlara girmek için Ses/Ayar Kontrol/Seçim düğmesine basın.
- Düğme ışığı fonksiyonunu etkinleştirmek veya devre

dışı bırakmak amacıyla "Açık" veya "Kapalı" seçimi yapmak için Ses/Ayar Kontrol/Seçim düğmesini çevirin ve daha sonra ayarı onaylamak için Ses/Ayar Kontrol/Seçim düğmesine basın.

Sistem sıfırlama

Radyonuzun düzgün çalışmaması veya ekranda bazı rakamların eksik ya da tam olmaması durumunda, aşağıdaki prosedürü gerçekleştirin.

1. Gelişmiş ayar düğmesine basın.
2. Ekranda "Fabrika Ayarlarına Sıfırla" gösterilene kadar Ses/Ayar Kontrol/Seçim düğmesini çevirin. Ayarlara girmek için Ses/Ayar Kontrol/Seçim düğmesine basın.
3. "Evet" seçmek için Ses/Ayar Kontrol/Seçim düğmesini çevirin. Ayarları onaylamak için Ses/Ayar Kontrol/Seçim düğmesine bastığınızda tam sıfırlama gerçekleştirilecektir.

Yazılım sürümü

1. Gelişmiş ayar düğmesine basın.
2. Ekranda "YZLM Sürümü" gösterilene kadar Ses/Ayar Kontrol/Seçim düğmesini çevirin. Radyoda yüklü yazılım sürümünü görmek için Ses/Ayar Kontrol/Seçim düğmesine basın.

Yazılım yükseltme için Mikro USB bağlantı noktası

Gelecekte radyonuz için yazılım güncellemeleri olabilir. Yazılım güncellemeleri çıktıkça, radyonuzu nasıl güncelleyeceğinize dair yazılı ve bilgiler **Makita web sitesinde** bulunabilir.

BAKIM

⚠ DİKKAT:

Hiç bir zaman benzin, gaz, tiner, alkol veya benzerlerini kullanmayın. Renk değişikliği, deformasyon veya çatlaklara neden olabilir.

TEKNİK ÖZELLİKLER

| Güç gereksinimleri | |
|-----------------------|---|
| AC güç adaptörü | DC 12 V 1.2A, orta pin pozitif |
| Pil | Paket pil: 7.2 V - 10.8 V Kayar pil: 10.8 V - 18 V |
| Frekans kapsama alanı | FM 87.50 - 108 MHz DAB/DAB+ 174.928-239.200 MHz |
| DAB/DAB+ Kanal bloğu | DAB (Bant III) 5A-13F |
| Uyumlu standart | DAB/DAB+ |

| Bluetooth® | |
|--|--|
| (Bluetooth® kelime markası ve logoları, Bluetooth SIG, Inc. şirketinin sahip olduğu tescilli ticari markalardır) | |
| Bluetooth sürümü | 4.0 |
| Bluetooth Profilleri | A2DP/SCMS-T |
| Aktarım Gücü | Güç Sınıfı 2 |
| Aktarım Aralığı | Optimum: Maks.10 metre (33 feet) Mümkün: Maks. 30 metre (100 feet) (kullanım koşullarına göre değişiklik gösterebilir) |
| Desteklenen kodak | SBC,AAC |
| Uyumlu Bluetooth profili | A2DP |
| Maksimum radyo-frekans gücü | BT EDR: 3.12dBm BT LE: 2.31dBm |
| Çalışma Frekansı | 2402MHz-2480MHz |

| Devre özelliği | |
|----------------------|---|
| Hoparlör | 3.5 inç 32 ohm x 2 |
| Çıkış gücü | 7.2 V: 0.6 W X 2 12Vmax: 1.7 W X 2 14.4 V: 3 W X 2 18 V: 4.9 W X 2 |
| Giriş terminali | 3.5 mm çap (AUX GİRİŞ 1/ AUX GİRİŞ 2) |
| Anten sistemi | DAB/FM: Yumuşak bükülebilir çubuk anten |
| Boyutlar (U x E x B) | 282 x 163 x 294 mm |
| Ağırlık | 4,3KG (pilsiz) |

Makita Europe N.V. Jan-Baptist Vinkstraat 2,
3070 Kortenberg, Belgium

Makita Corporation 3-11-8, Sumiyoshi-cho,
Anjo, Aichi 446-8502 Japan

3A81cP5Z20000
DMR112-10L-1804

www.makita.com

SJN