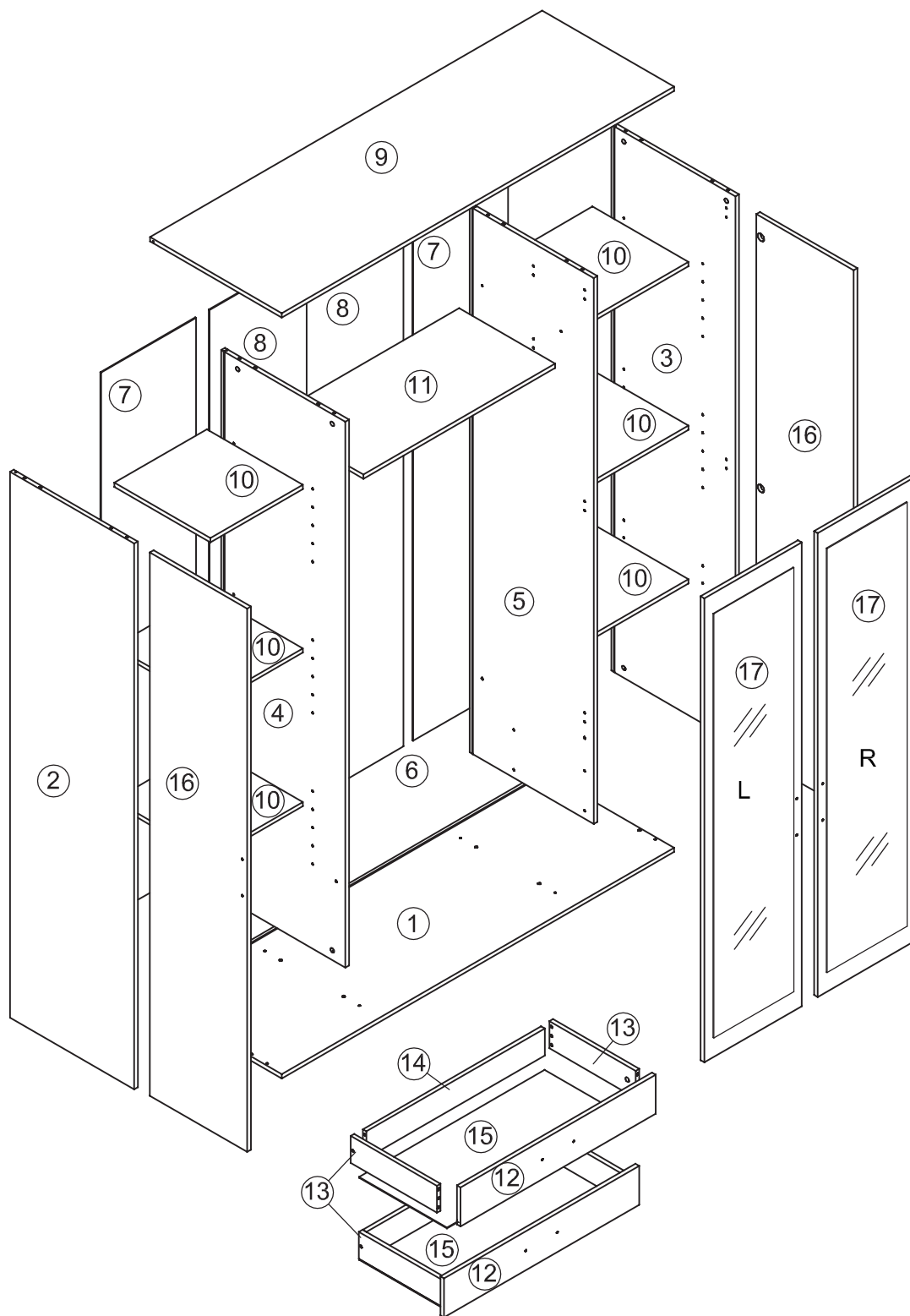
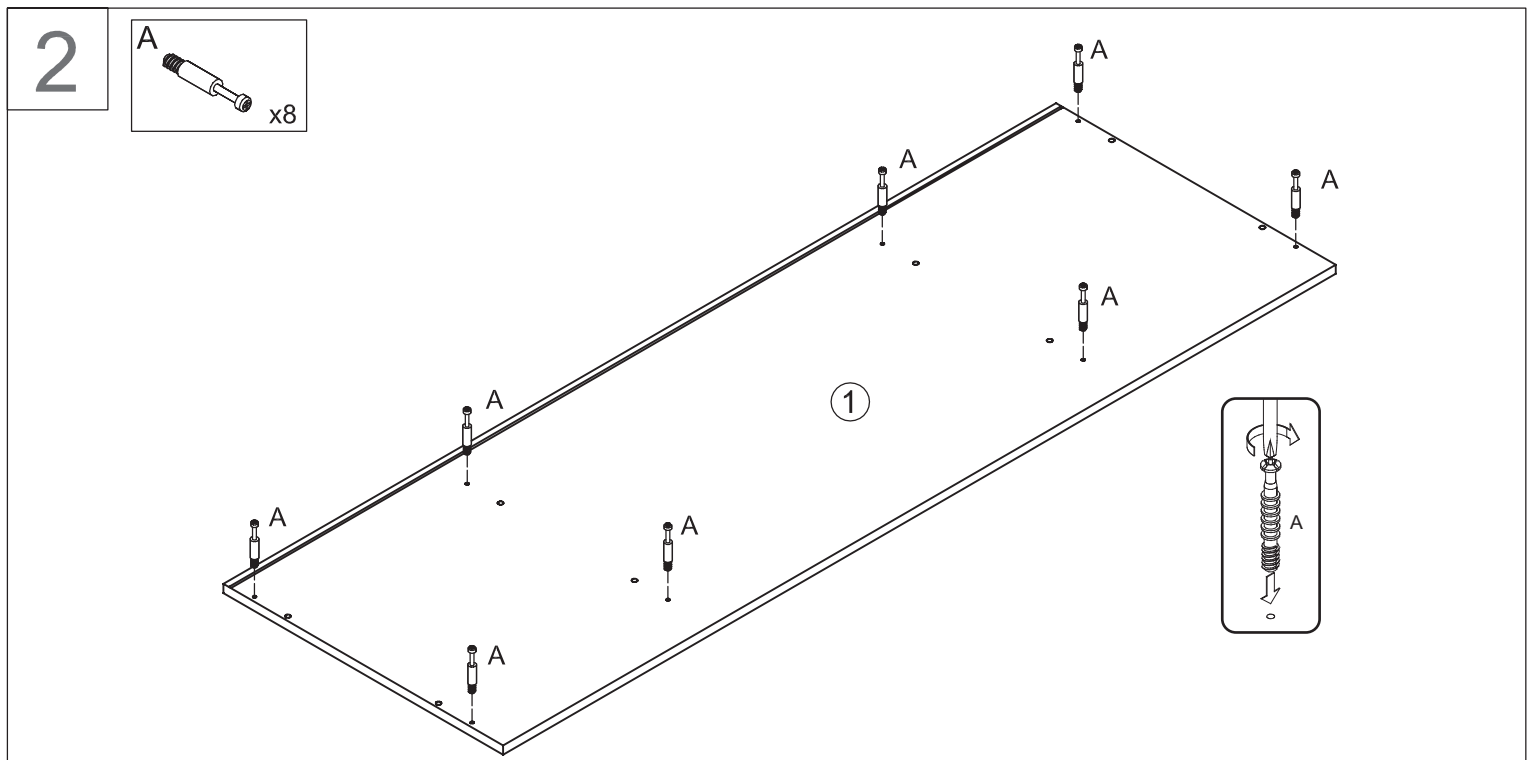
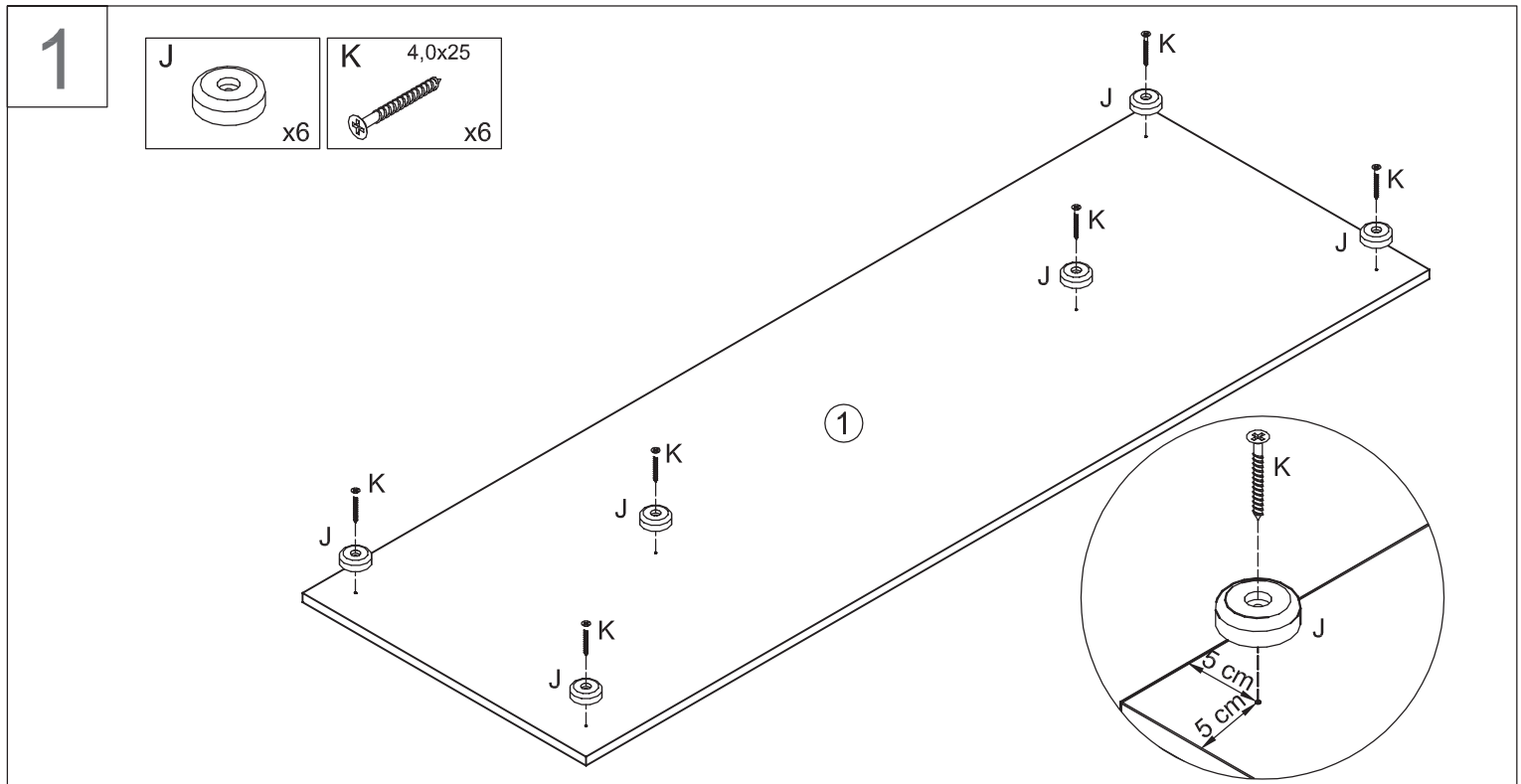
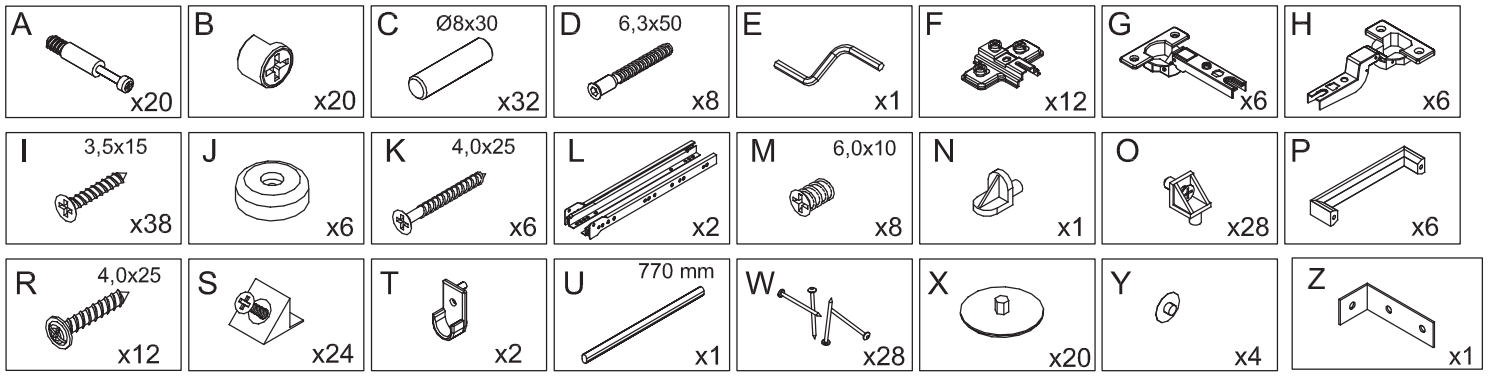


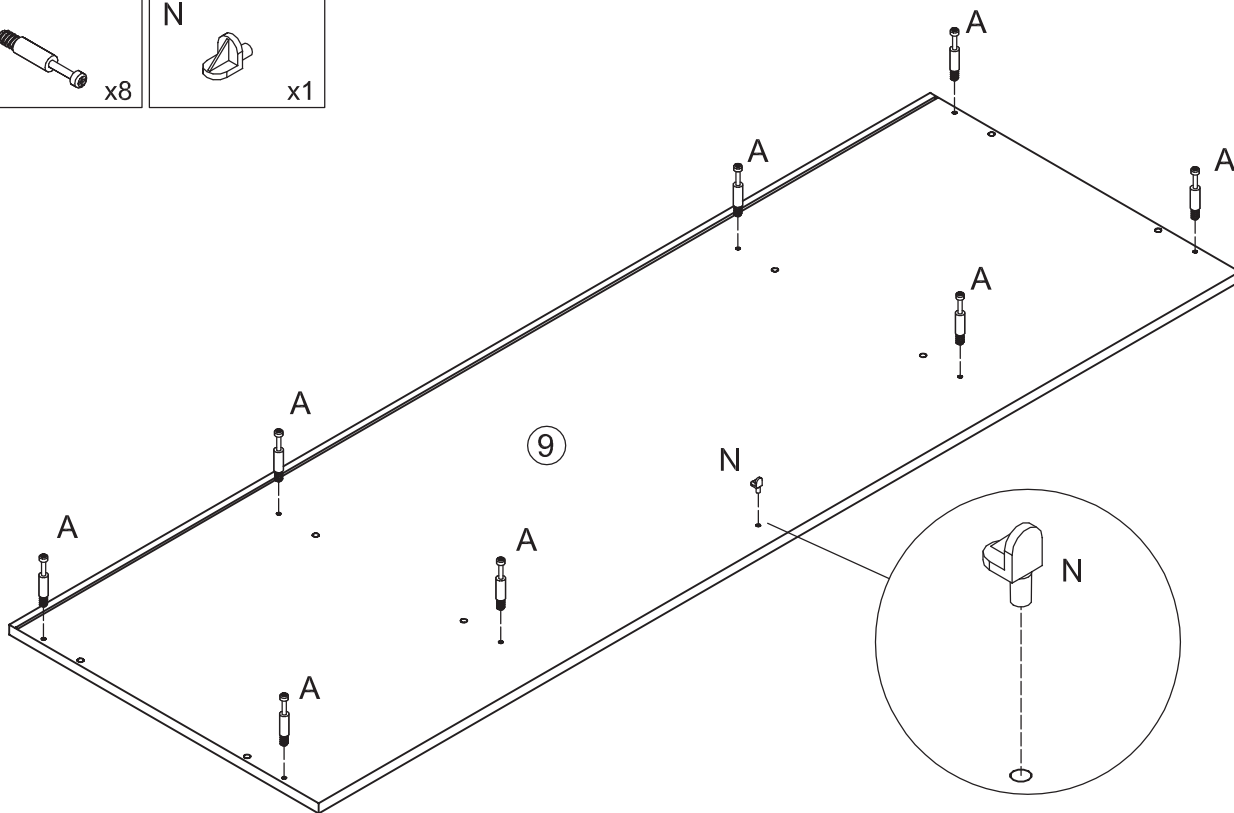
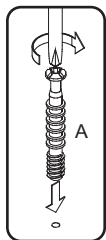
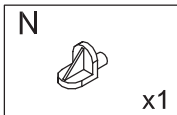
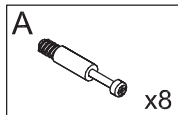
| | | | |
|---|----|---------------------|-----|
| 1 | x1 | ca. 1592 x 535 x 16 | 1/3 |
| 2 | x1 | ca. 1918 x 504 x 16 | 2/3 |
| 3 | x1 | ca. 1918 x 504 x 16 | 2/3 |
| 4 | x1 | ca. 1918 x 504 x 16 | 2/3 |
| 5 | x1 | ca. 1918 x 504 x 16 | 2/3 |
| 6 | x1 | ca. 779 x 489 x 16 | 1/3 |
| 7 | x2 | ca. 1927 x 385 x 3 | 3/3 |
| 8 | x2 | ca. 1927 x 393 x 3 | 3/3 |
| 9 | x1 | ca. 1592 x 535 x 16 | 1/3 |

| | | | |
|----|----|---------------------|-----|
| 10 | x6 | ca. 375 x 390 x 16 | 1/3 |
| 11 | x1 | ca. 778 x 390 x 16 | 1/3 |
| 12 | x2 | ca. 792 x 137 x 16 | 1/3 |
| 13 | x4 | ca. 350 x 95 x 16 | 1/3 |
| 14 | x2 | ca. 724 x 95 x 16 | 1/3 |
| 15 | x2 | ca. 753 x 356 x 3 | 1/3 |
| 16 | x2 | ca. 1909 x 395 x 16 | 3/3 |
| 17 | x2 | ca. 1630 x 395 x 16 | 3/3 |
| | | | |

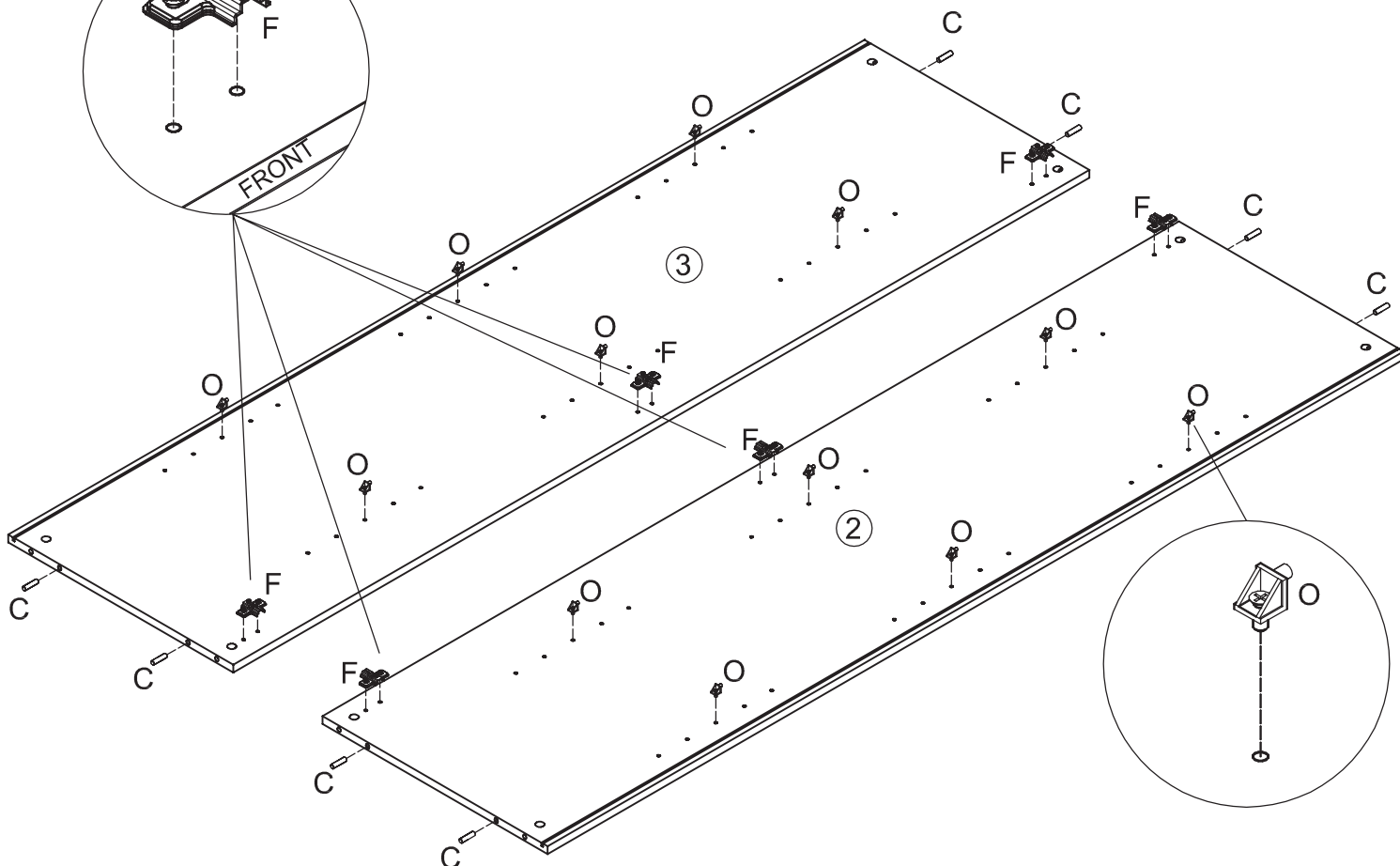
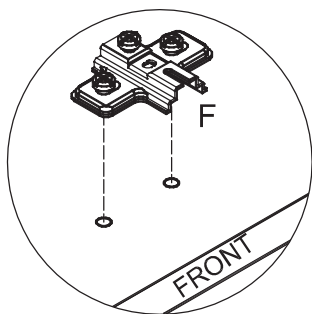
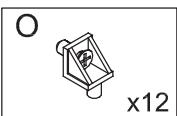
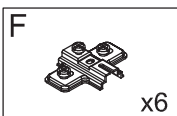
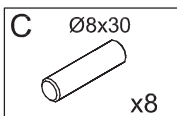




3

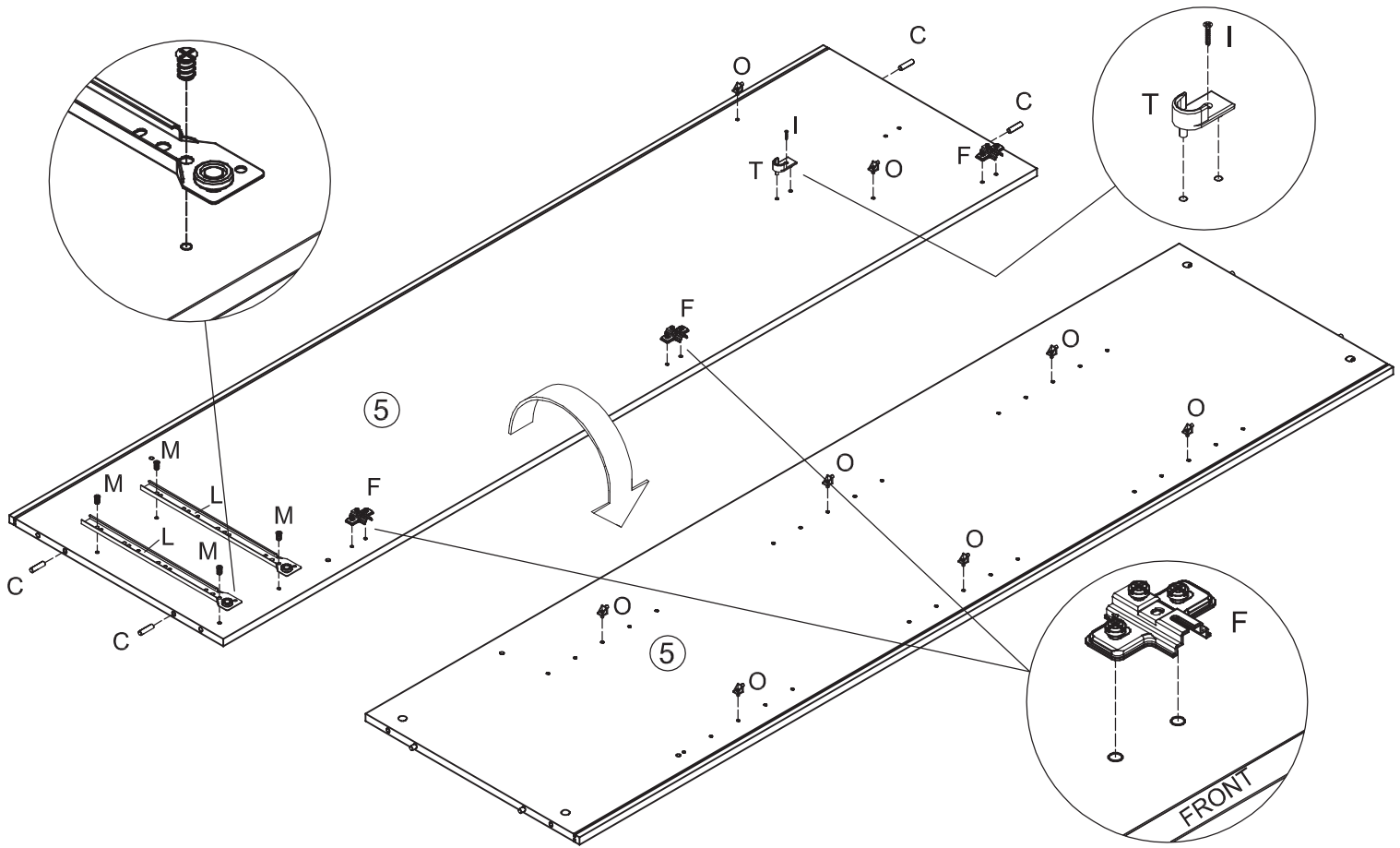


4



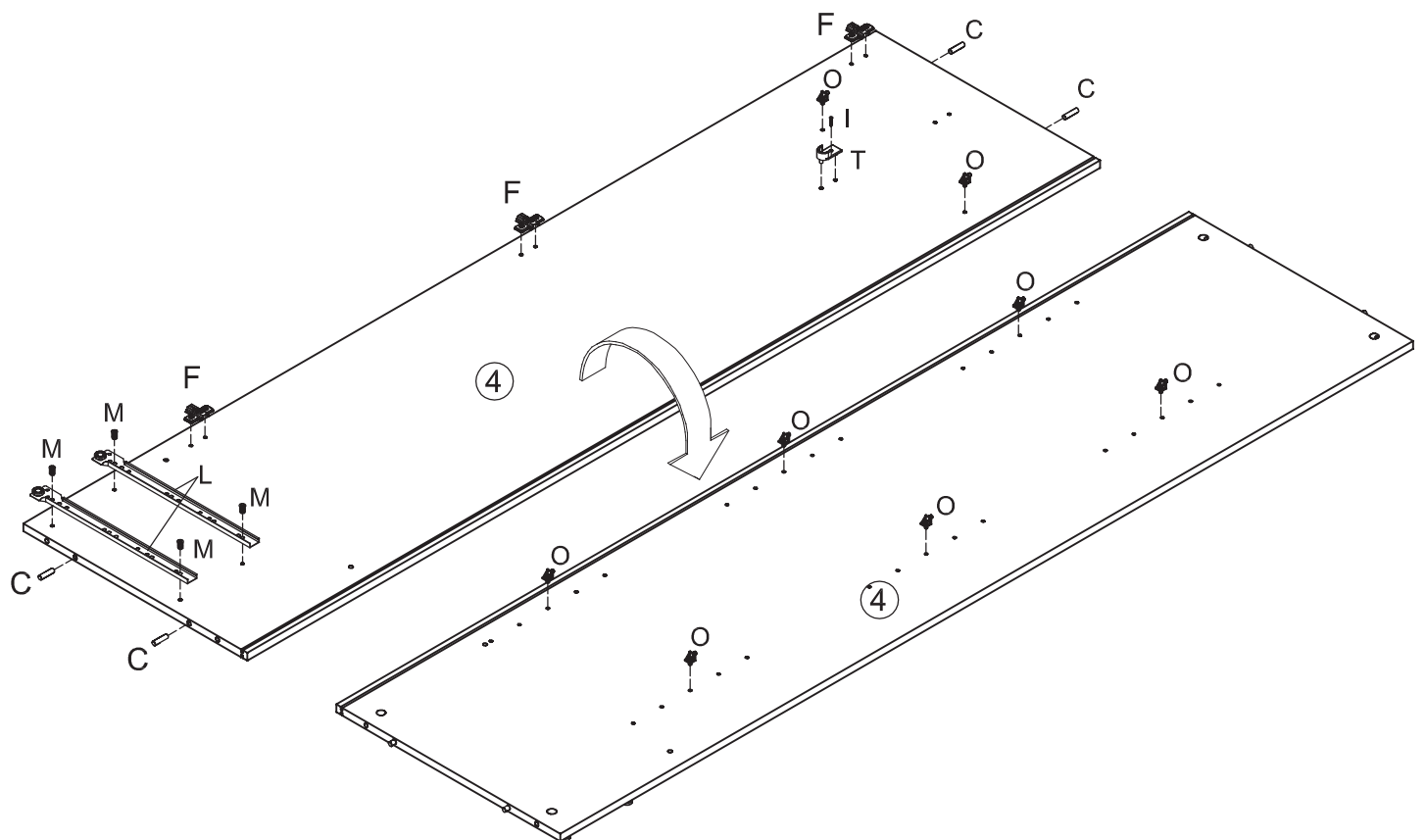
5

| | | | | | | | | | | | | | |
|---|-------|---|----|---|----|---|--------|---|----|---|----|---|--------|
| C | ∅8x30 | F | | L | | M | 6,0x10 | O | | T | | I | 3,5x15 |
| | x4 | | x3 | | x2 | | x4 | | x8 | | x1 | | x1 |

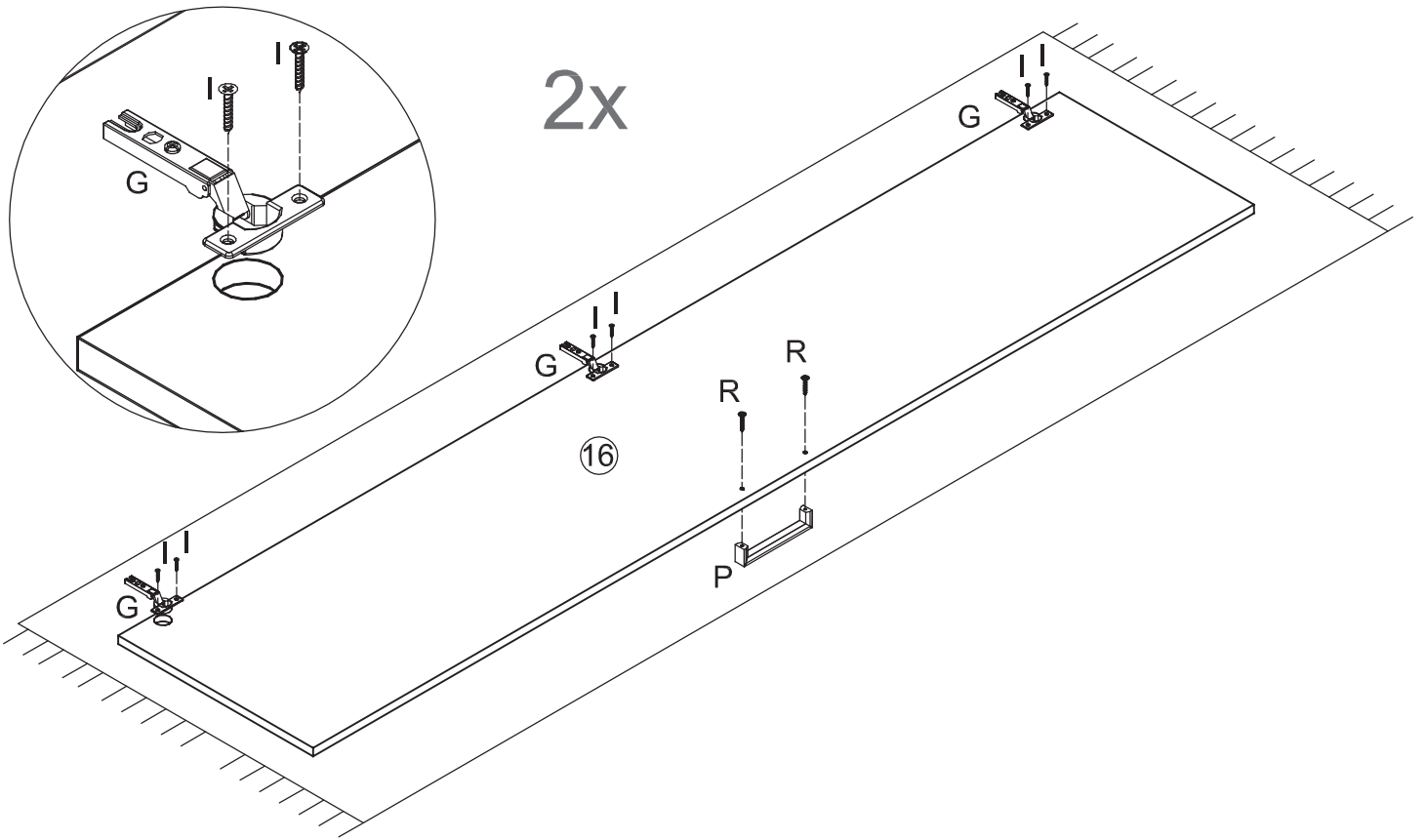
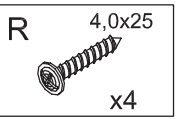
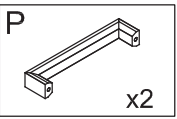
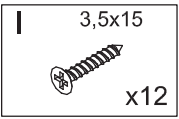
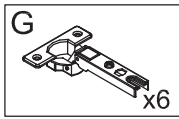


6

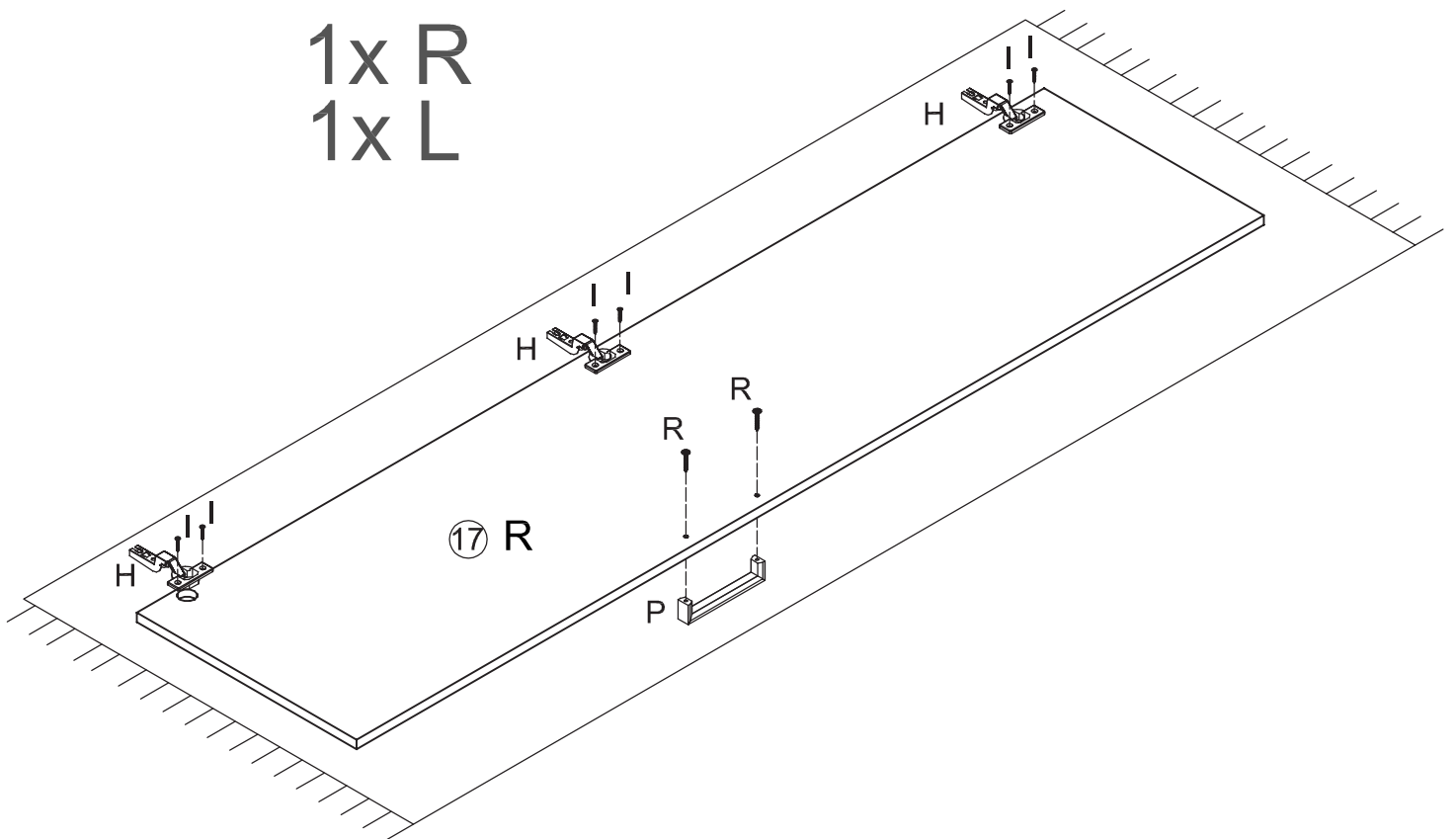
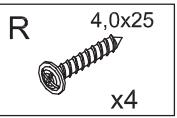
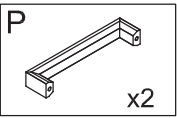
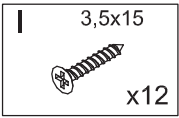
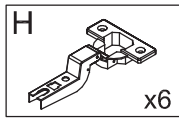
| | | | | | | | | | | | | | |
|---|-------|---|----|---|----|---|--------|---|----|---|----|---|--------|
| C | ∅8x30 | F | | L | | M | 6,0x10 | O | | T | | I | 3,5x15 |
| | x4 | | x3 | | x2 | | x4 | | x8 | | x1 | | x1 |




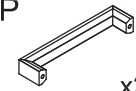
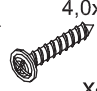
7



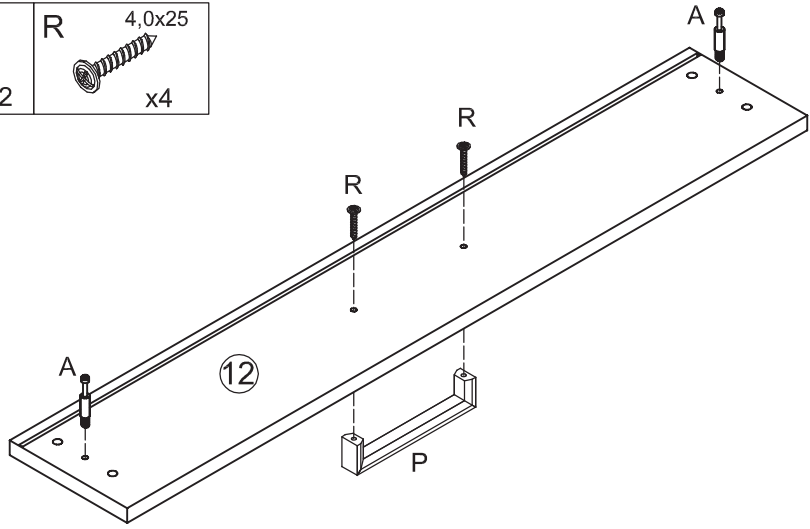
8



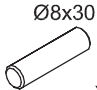


9a

- A  x4
- P  x2
- R  4,0x25 x4

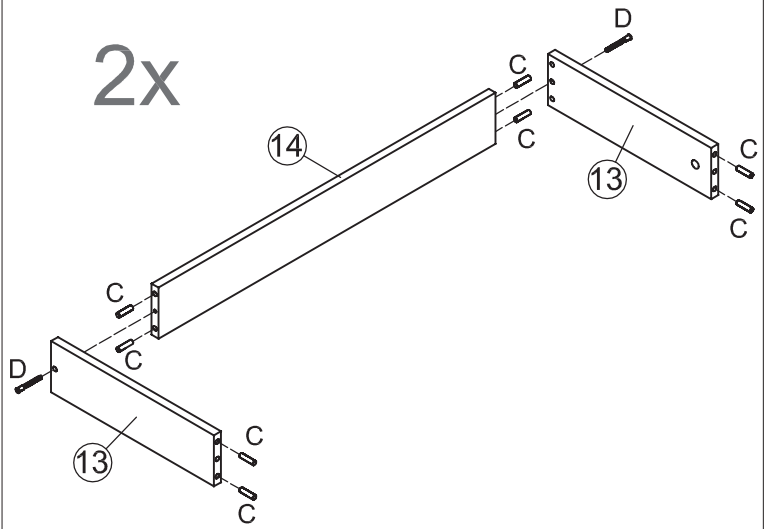
2x



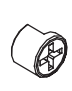

9b

- C  Ø8x30 x16
- D  6,3x50 x4
- E  x1

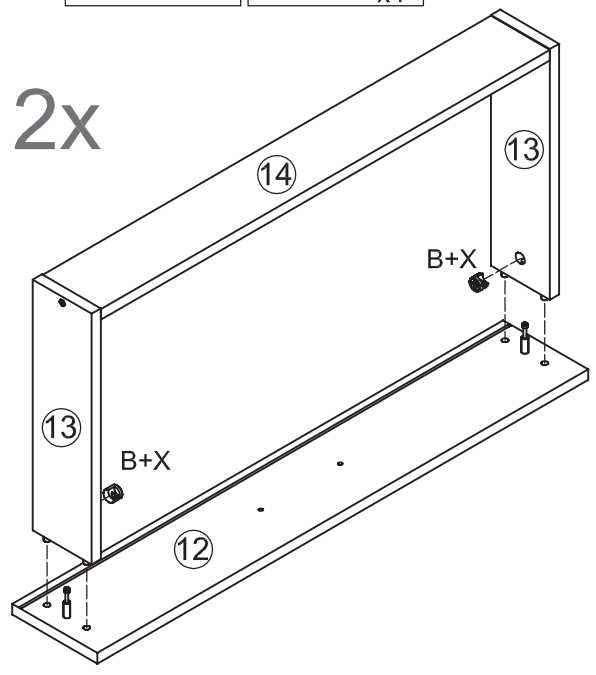
2x




9c

- B  x4
- X  x4

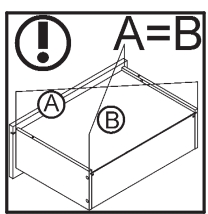
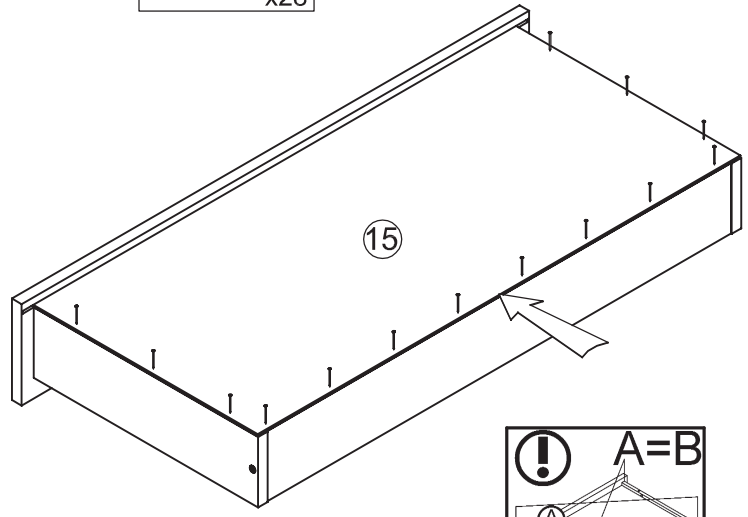
2x



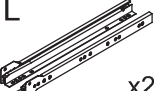

9d

- W  x28

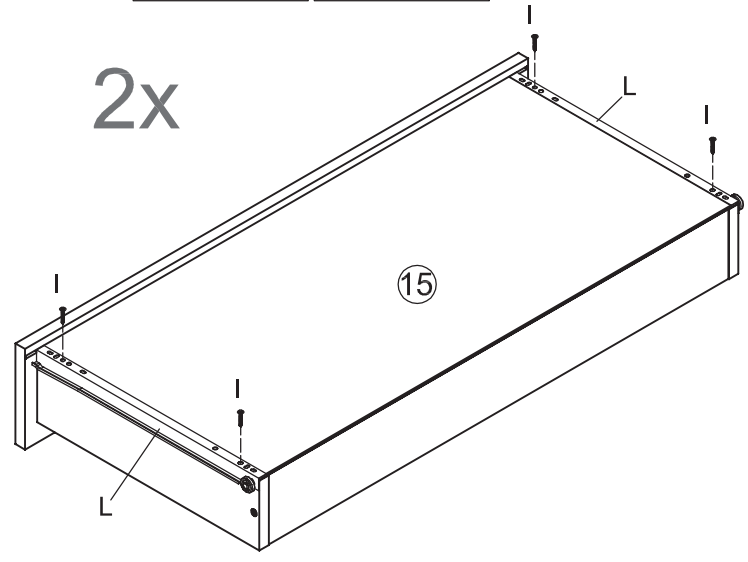
2x



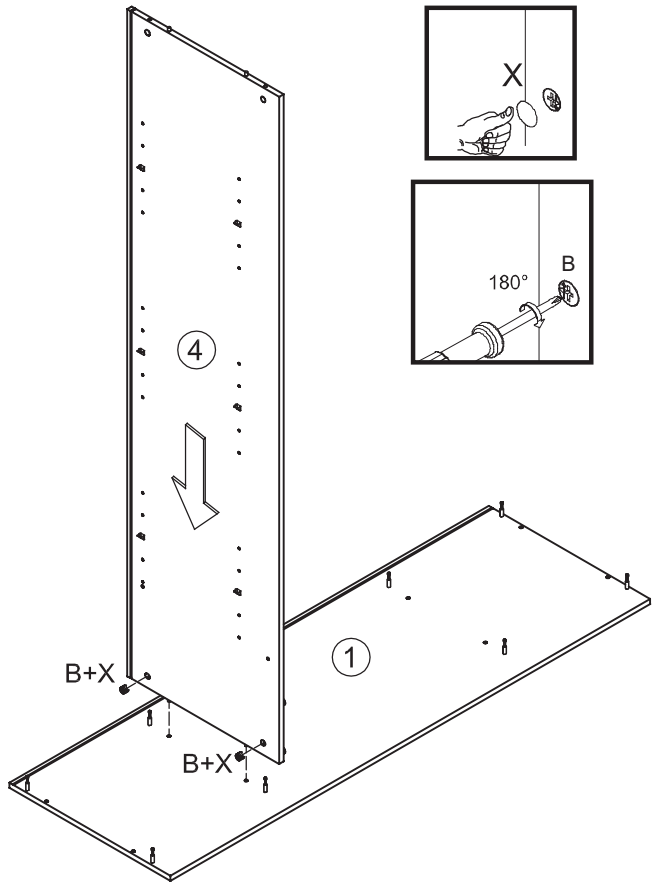
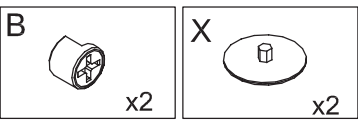
9e

- L  x2
- I  3,5x15 x8

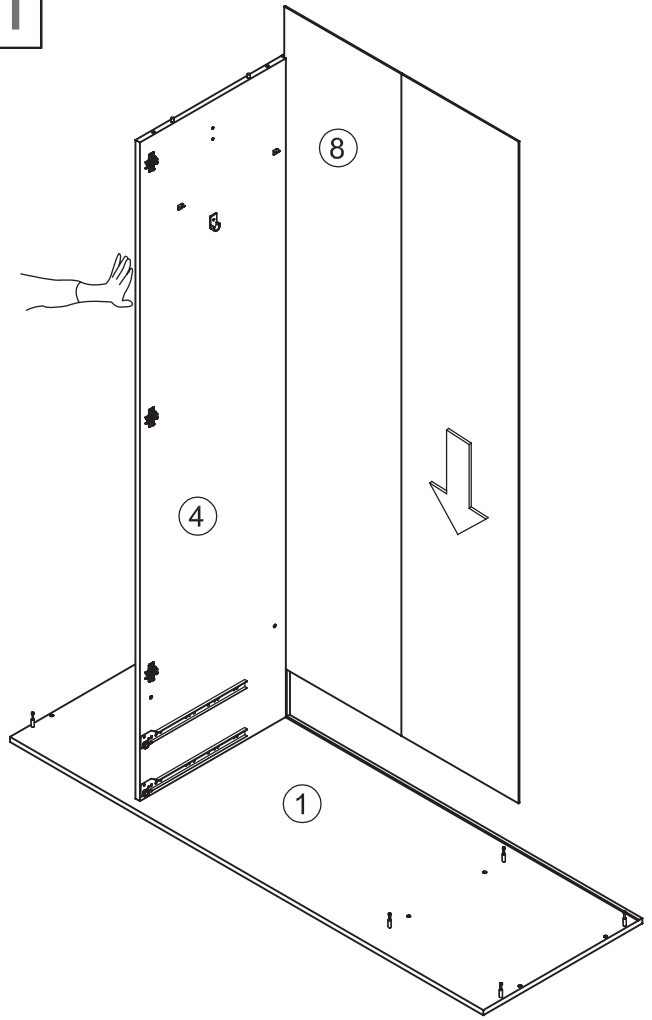
2x



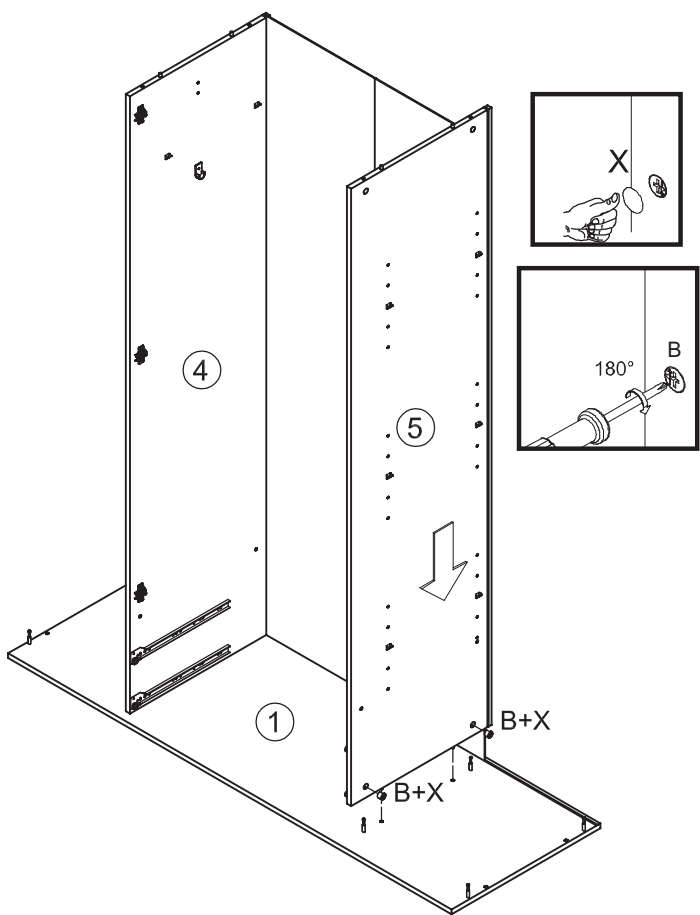
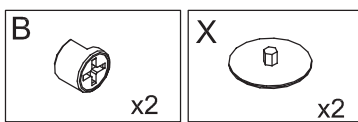
10



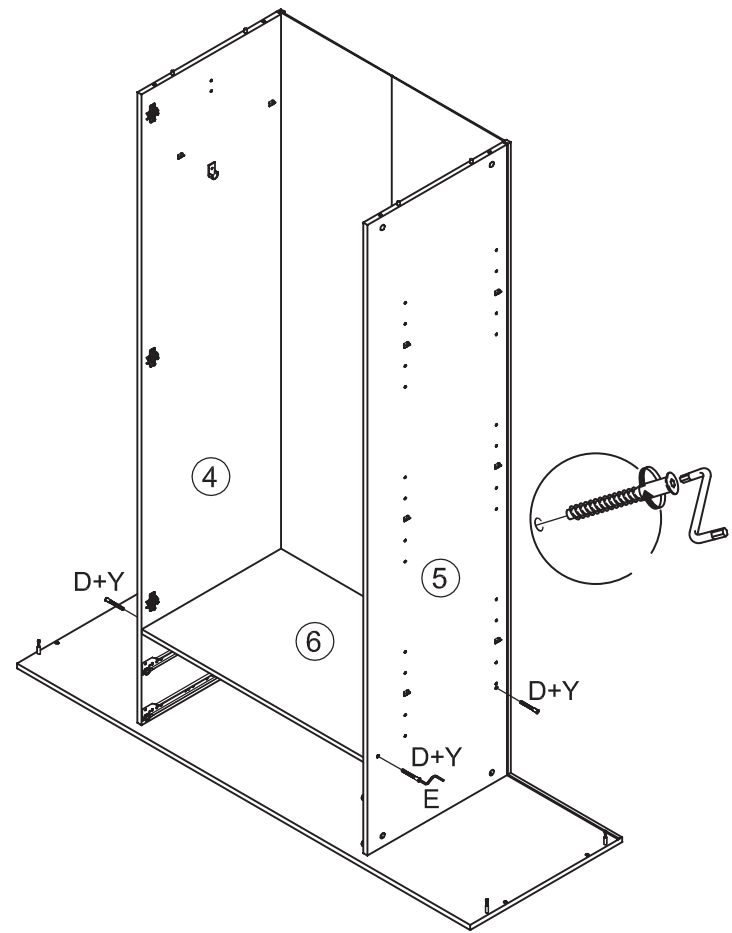
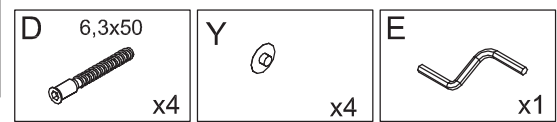
11



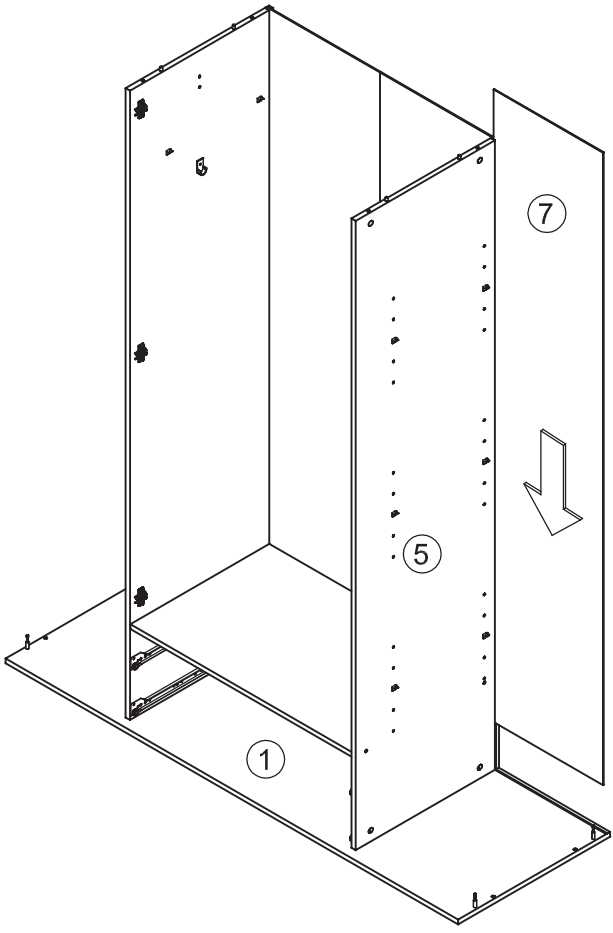
12



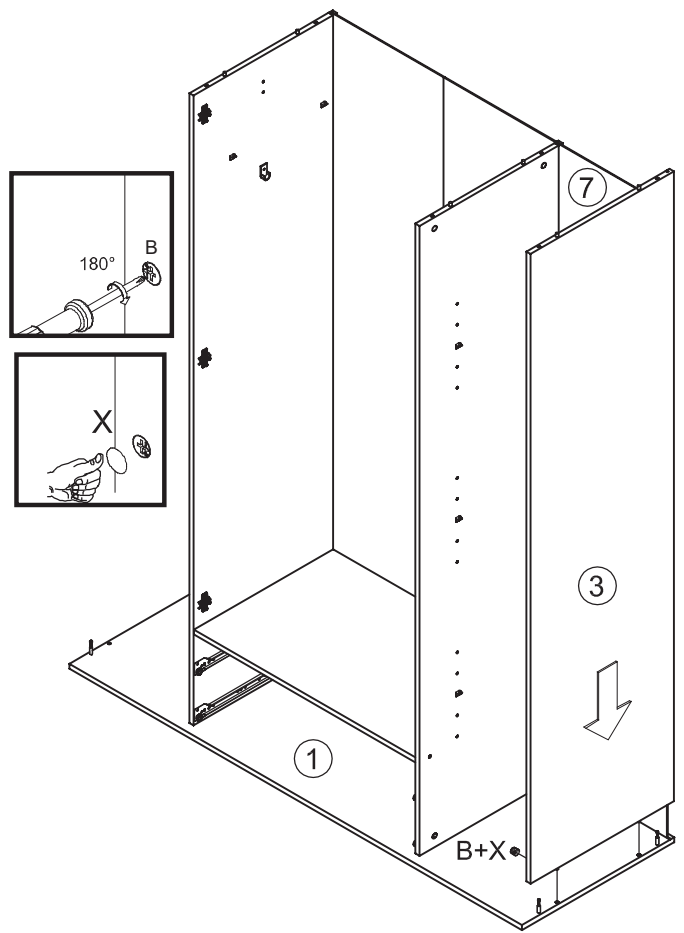
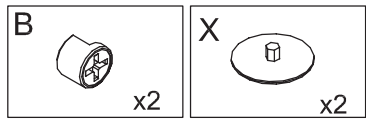
13



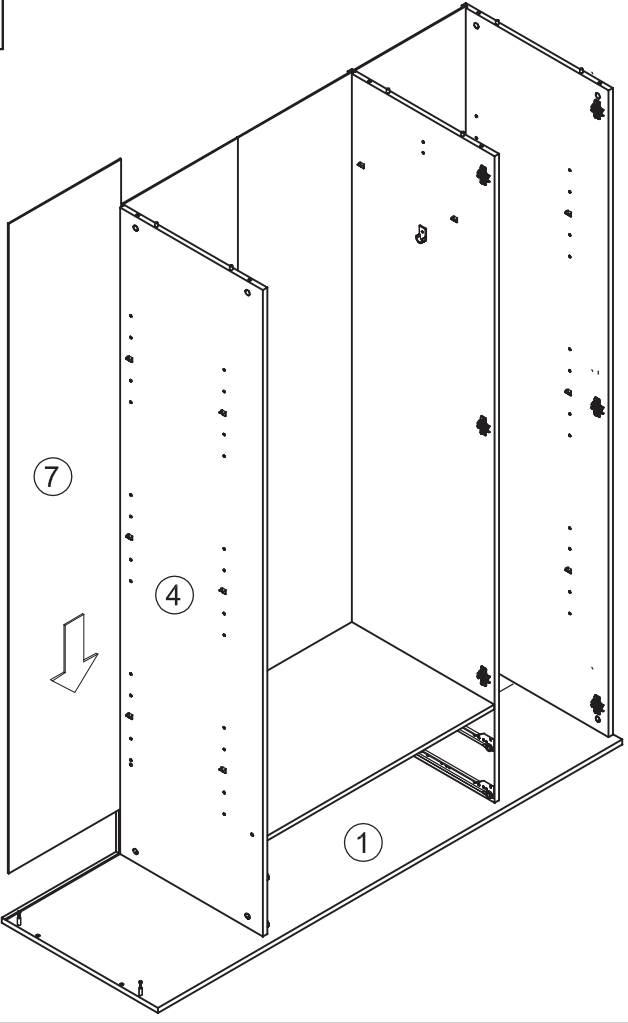
14



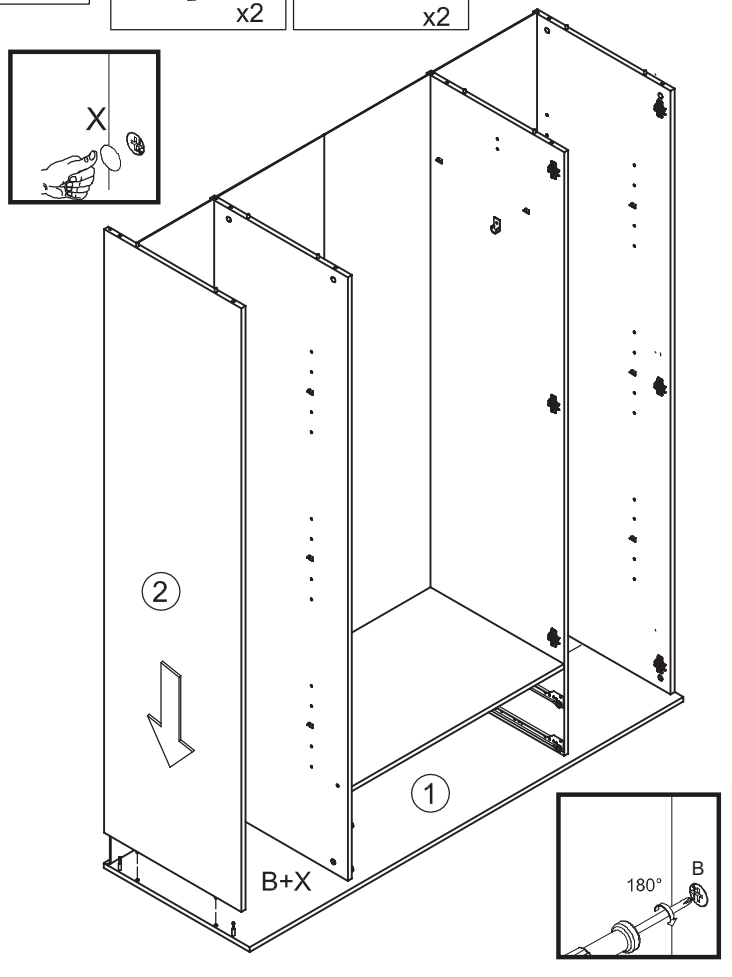
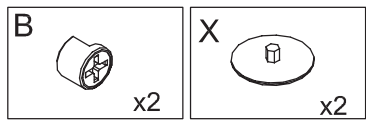
15



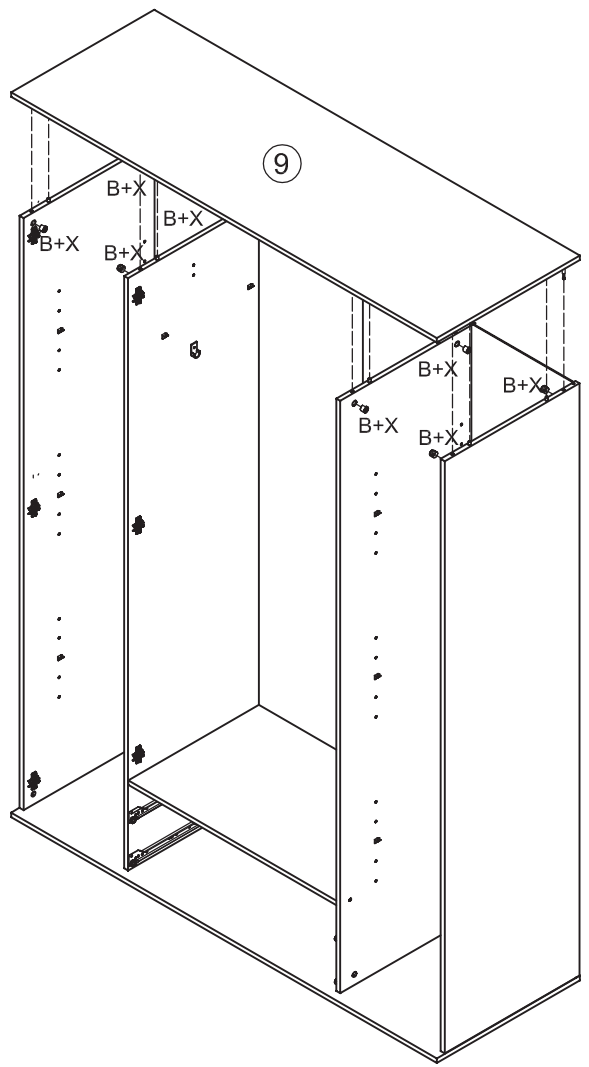
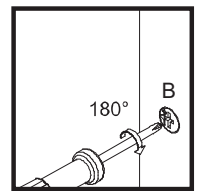
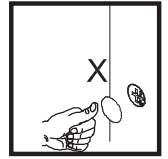
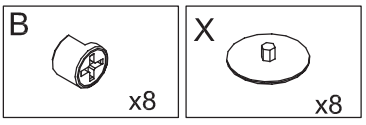
16



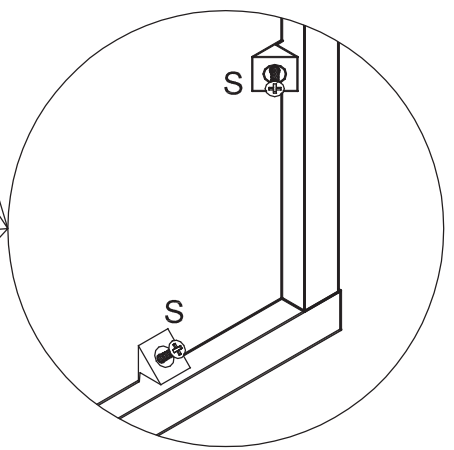
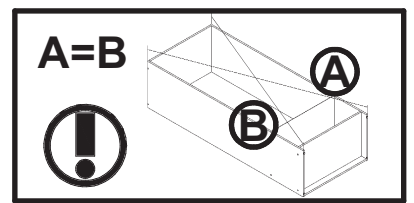
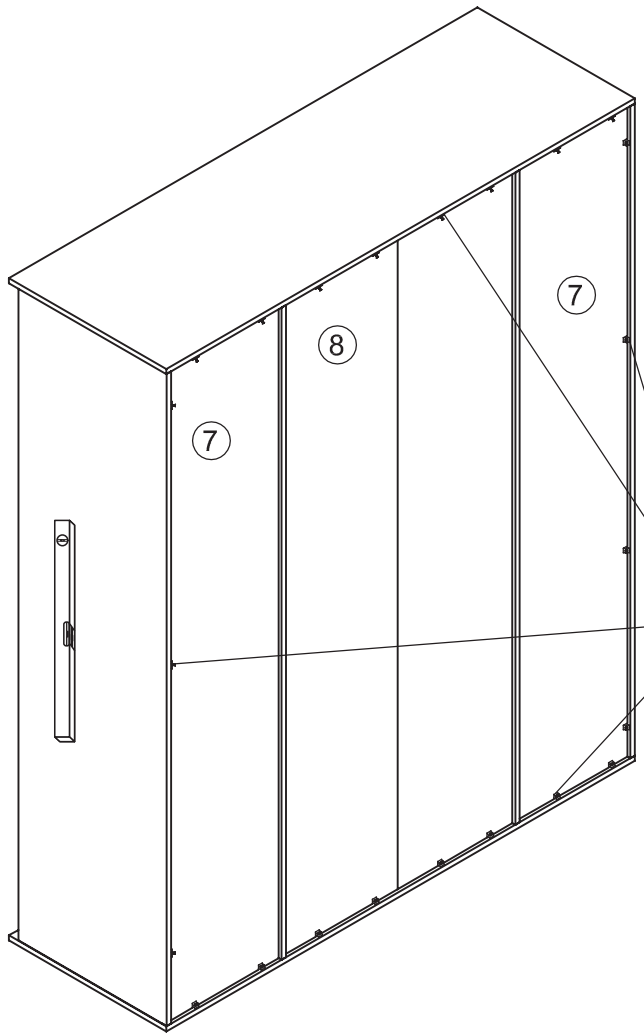
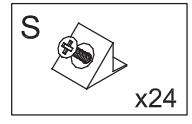
17



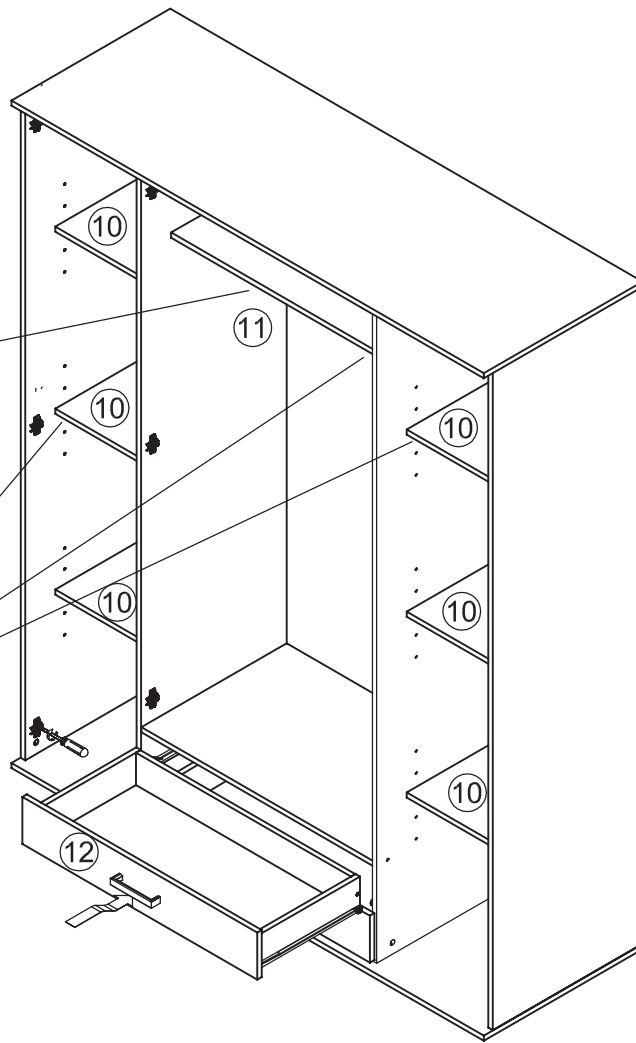
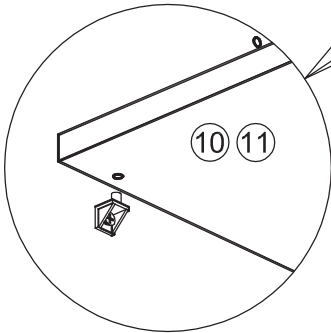
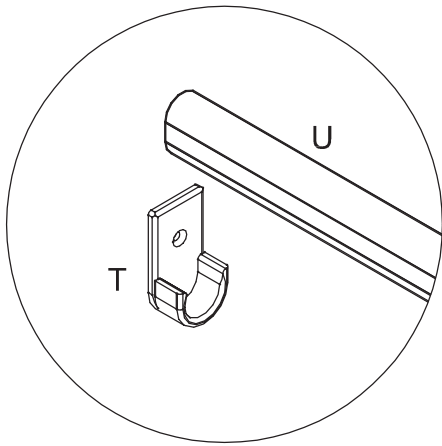
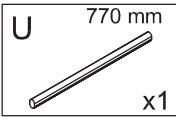
18



19

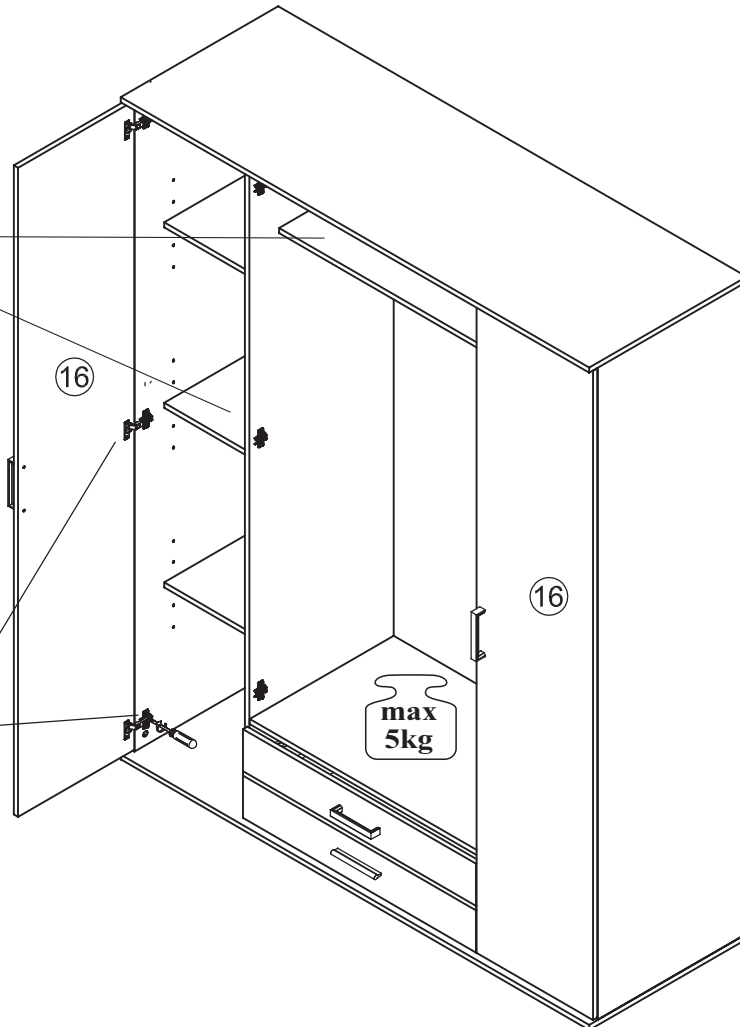
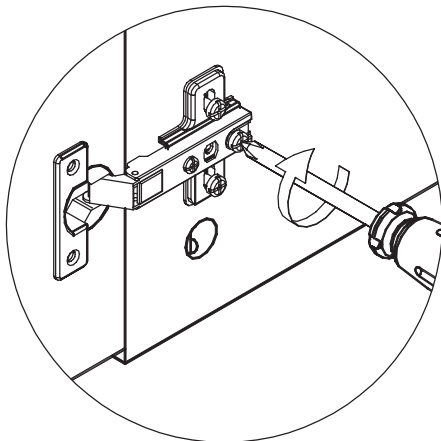


20

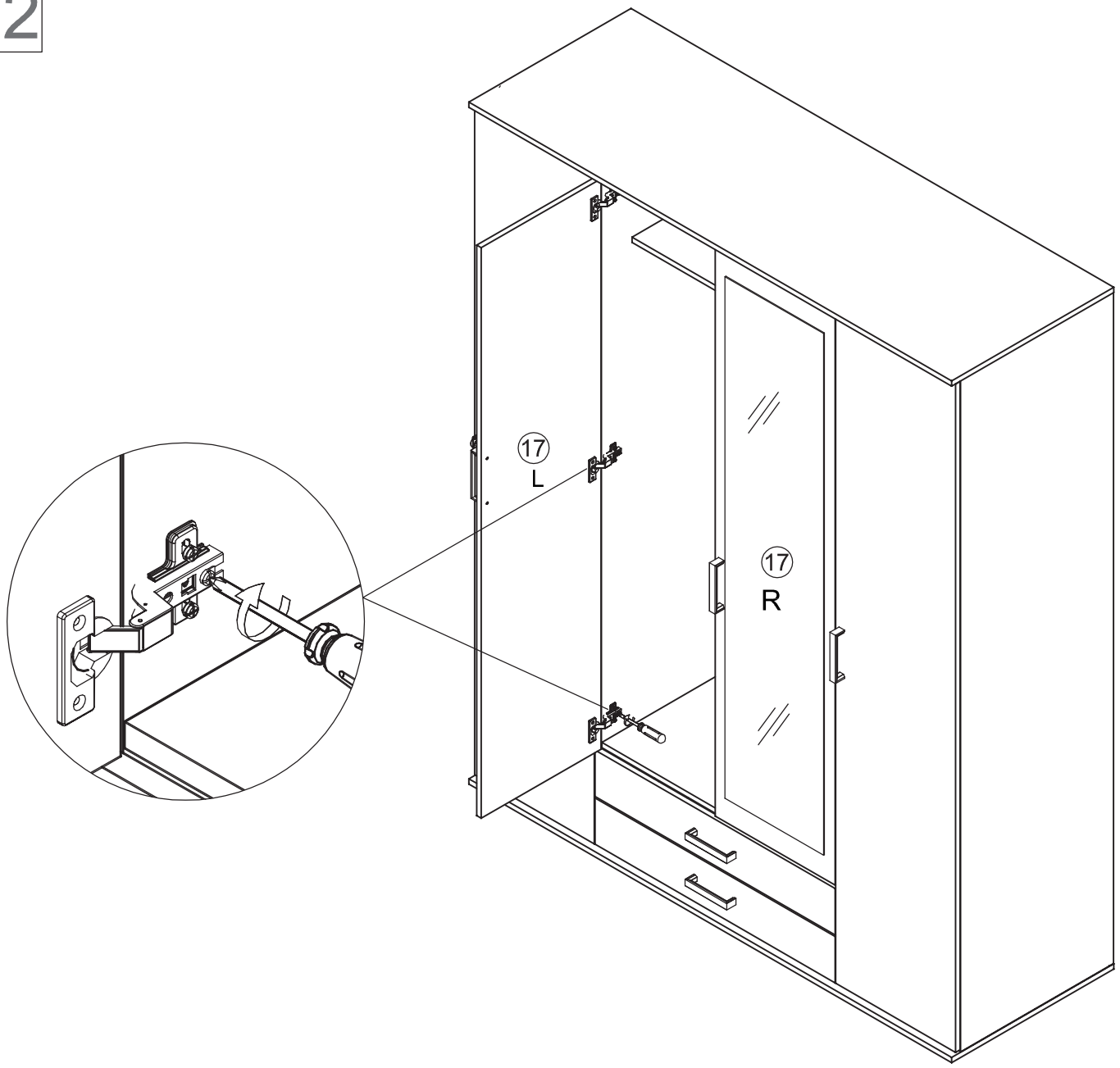


21

max
5kg



22



23

