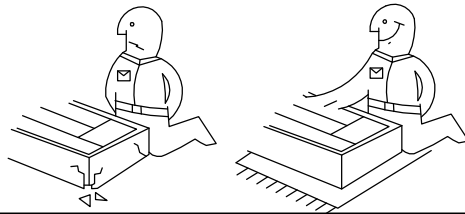
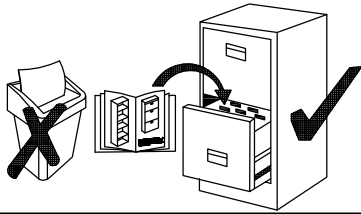
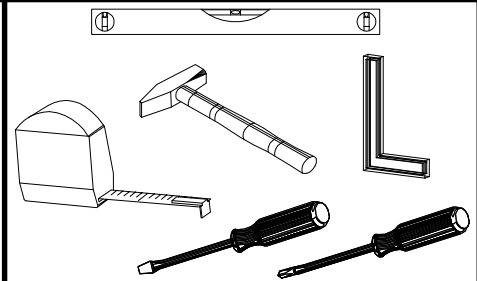
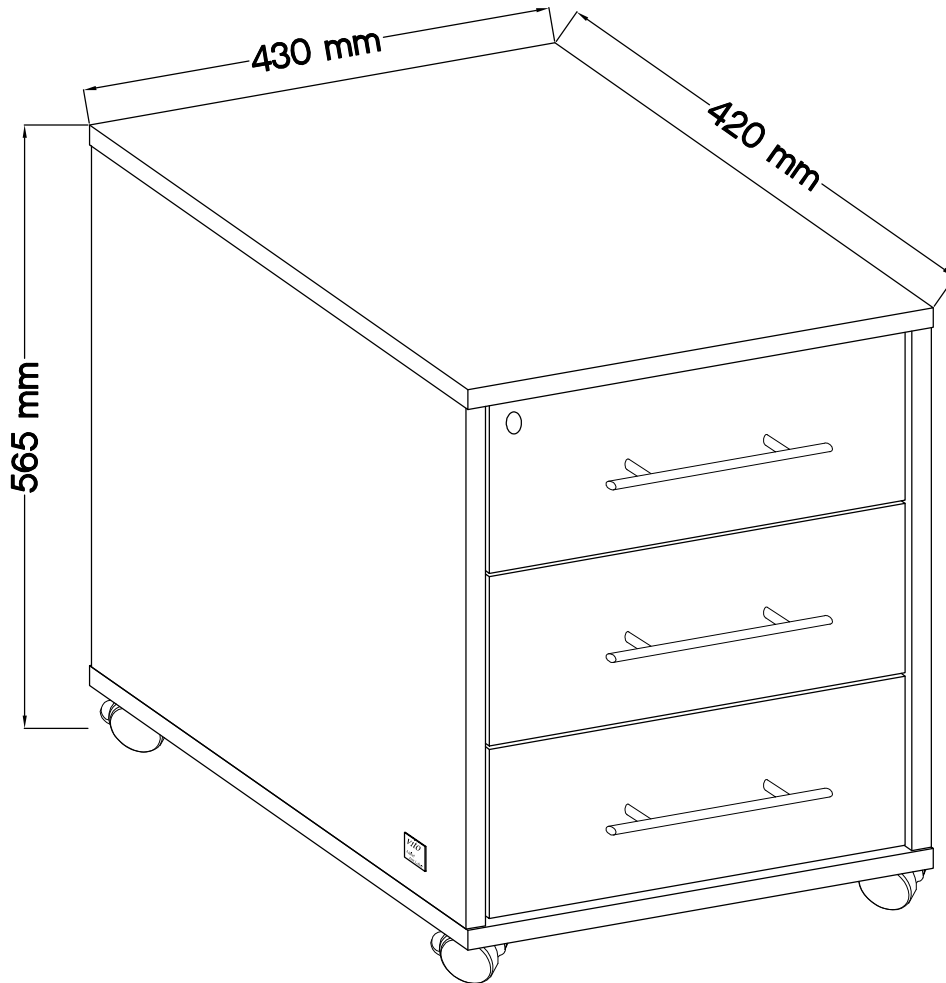


Finito Vito Pronto 34-249



- 34-249-T2
- 34-249-T3
- 34-249-G0

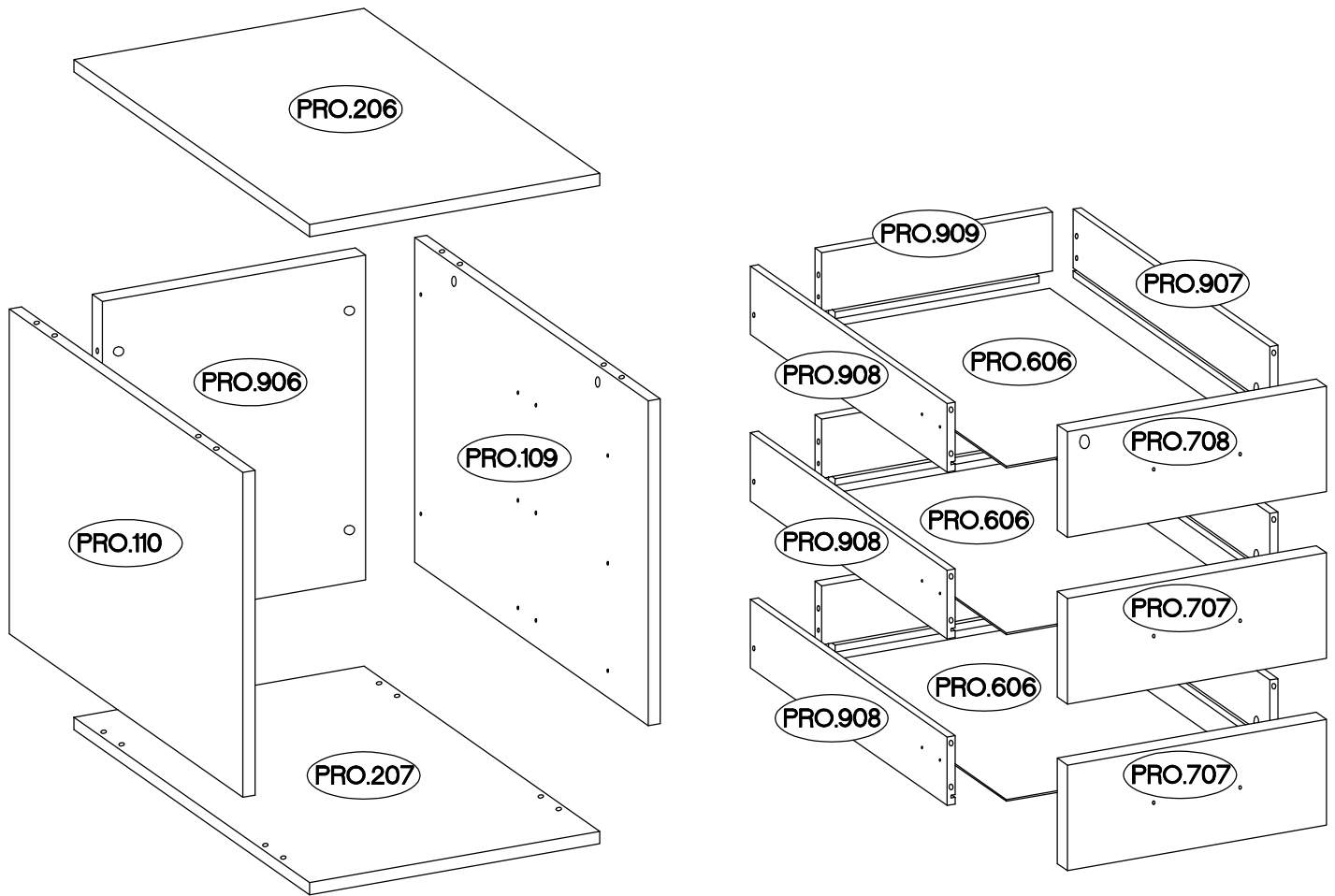


Option



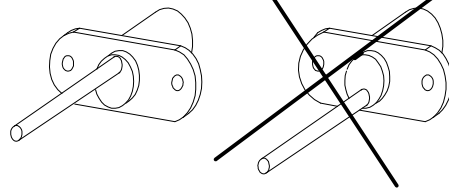
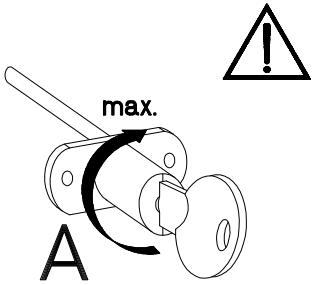
$\pm 6,3 \times 13 \text{ mm}$	$\pm 4,0 \times 16 \text{ mm}$
M2	R11
9	18

$\pm 20/8 \text{ mm}$	$\pm 6,3 \times 20 \text{ mm}$	$L=350 \text{ mm}$					$\pm 3 \times 13 \text{ mm}$	
J14	M3	I8	F19	F20	L	Z4	P22	
9	9	3	4	4	6	1	6	
$\pm 15/12 \text{ mm}$	$L=20 \text{ mm}$	$\pm 8 \times 30 \text{ mm}$	$\pm 3,0 \times 16 \text{ mm}$	$6,4 \times 50 \text{ mm}$		$\pm 4,0 \times 30 \text{ mm}$	$\pm 12/10 \text{ mm}$	$\pm 6 \times 42 \text{ mm}$
C	D2	A	P11	B	O	S23	R12	C5
8	14	20	8	4	1	3	6	6
B2								



Coli	Ersatzteil Nummer	Dimension
1/1	PRO.109	474x416x18
	PRO.110	474x416x18
	PRO.206	430x420x18
	PRO.207	430x420x18
	PRO.606 x3	352x346x2,5
	PRO.707 x2	154x384x18
	PRO.708	154x384x18
	PRO.906	474x390x18
	PRO.907 x3	350x100x12
	PRO.908 x3	350x100x12
	PRO.909 x3	342x100x12

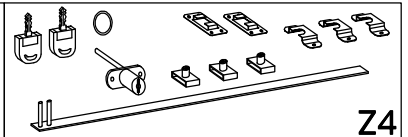
1



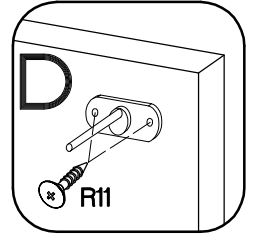
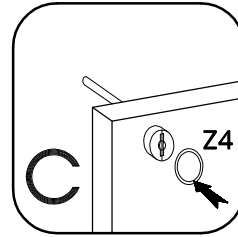
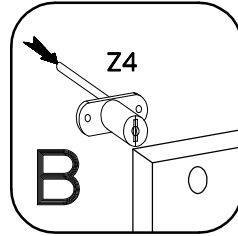
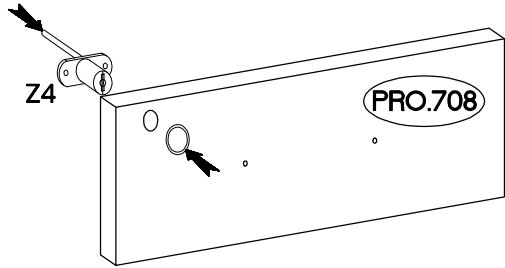
±4.0x16mm



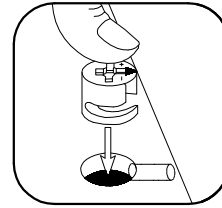
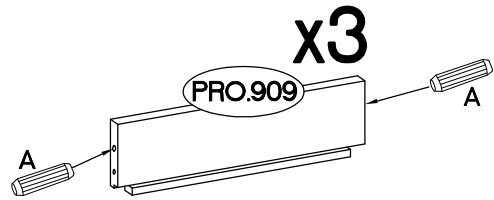
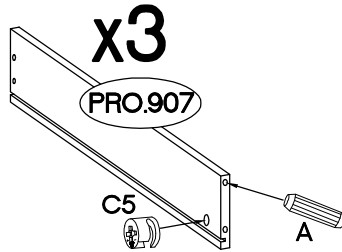
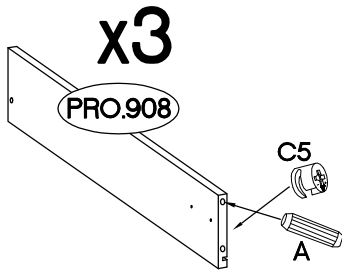
2



1



2



±8x30mm



A

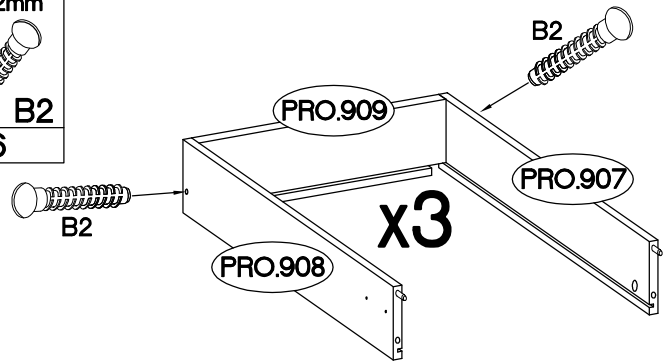
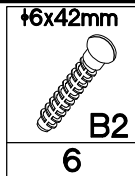
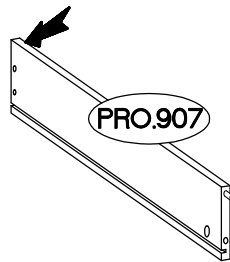
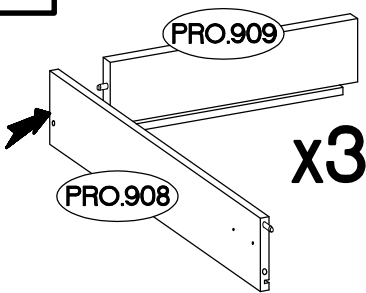
12

±12/10mm

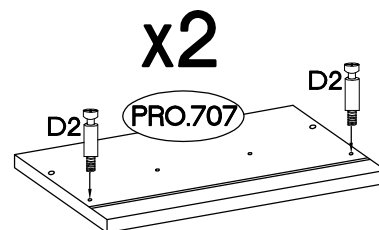
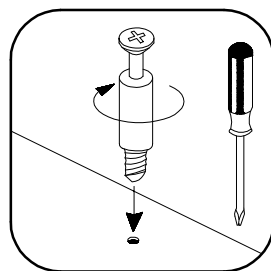
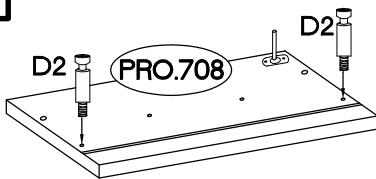


6

3



4

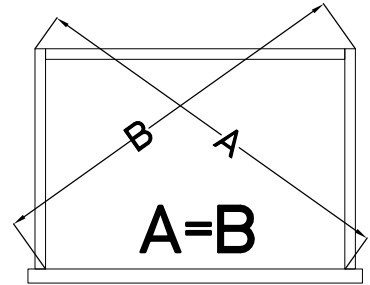
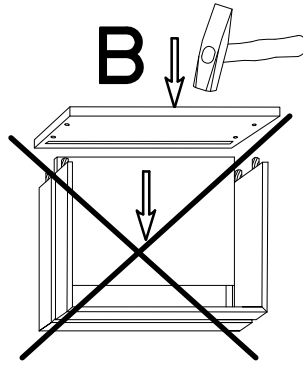
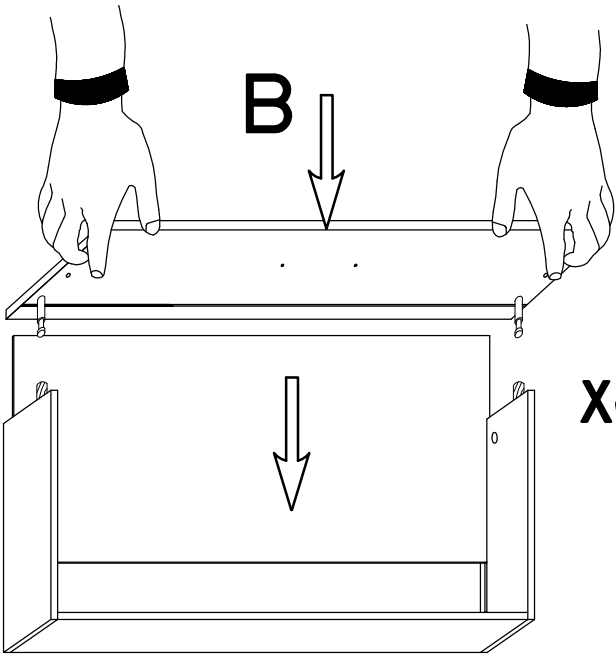
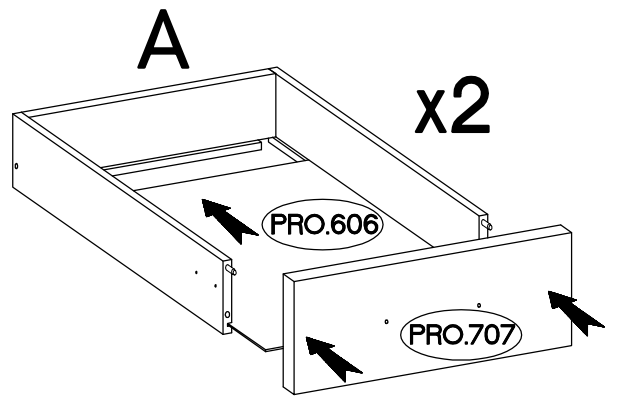
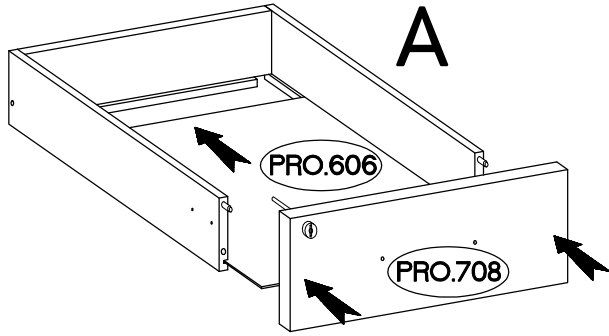


L=20mm

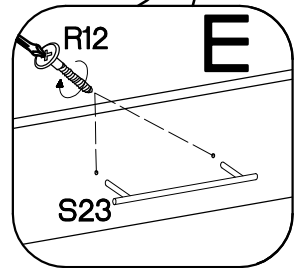
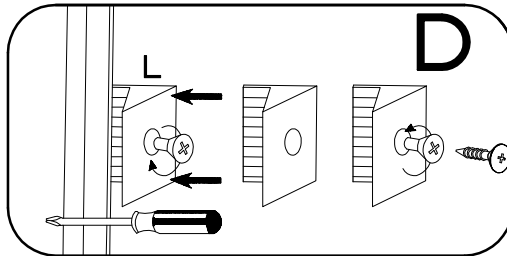
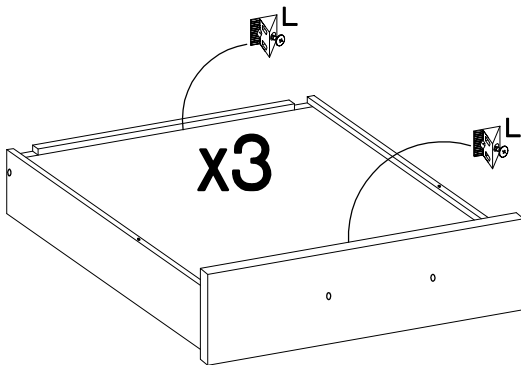
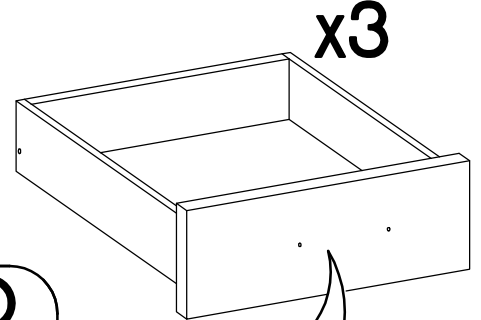
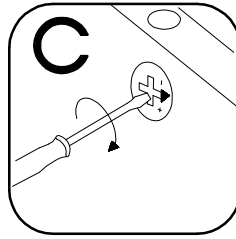


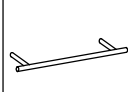

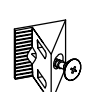
6

5

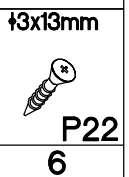
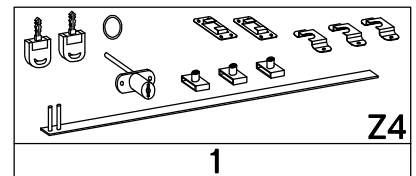
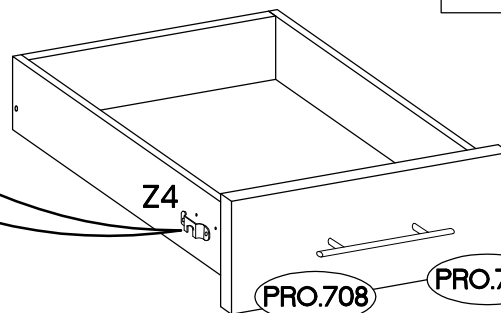
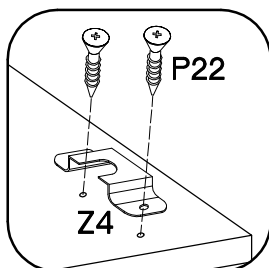


x3



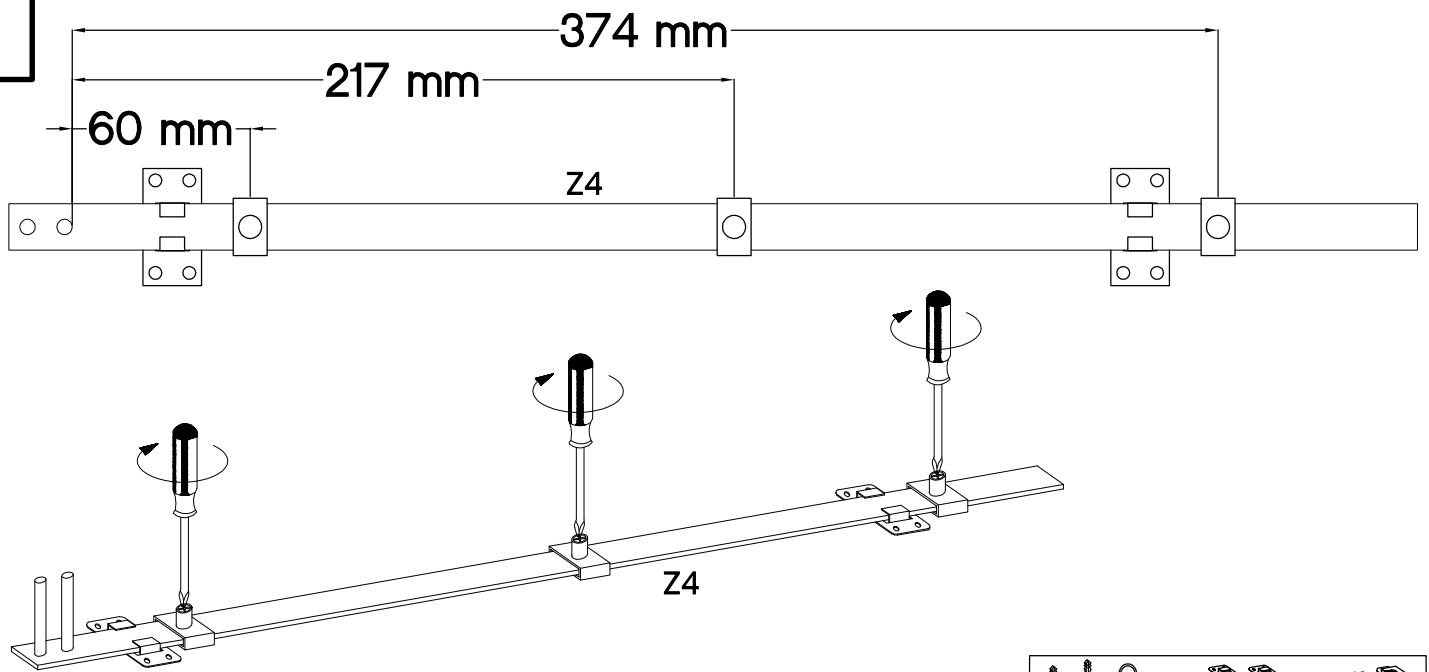
		
S23	R12	L
3	6	6

6

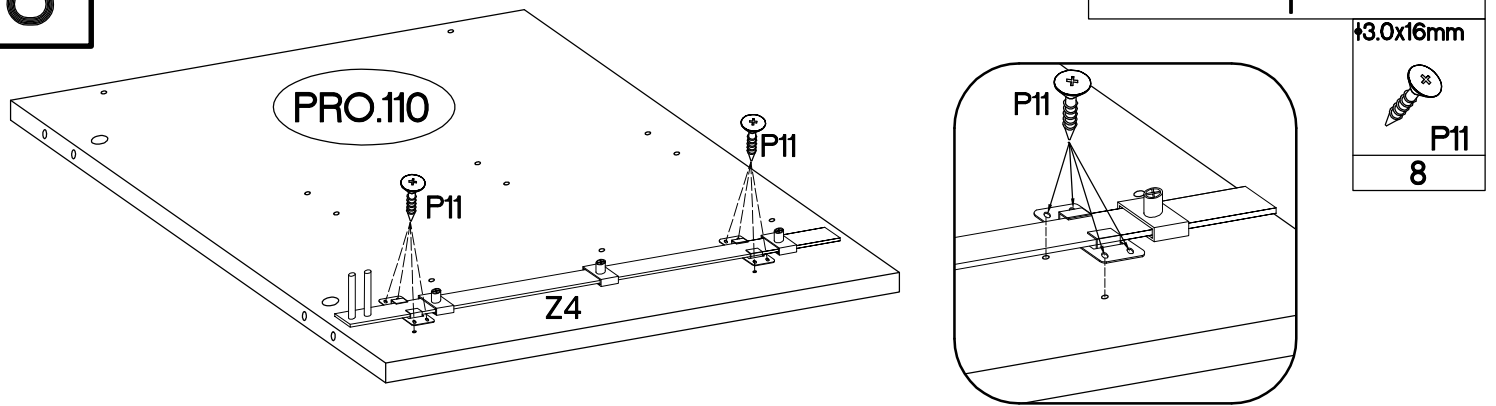


PRO.708 PRO.707 x2

7

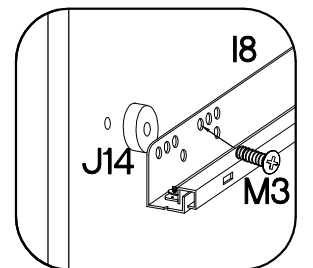
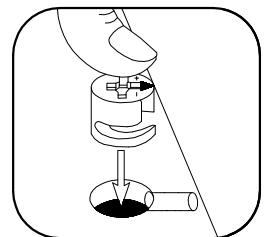
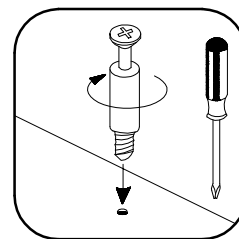
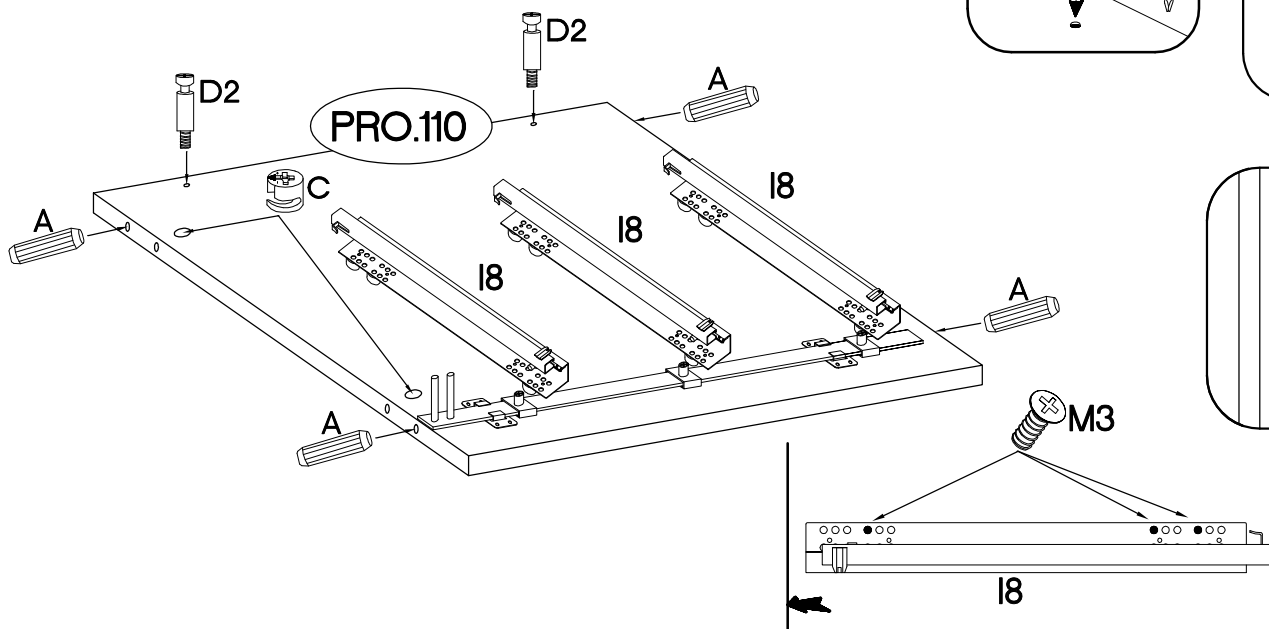





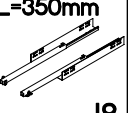

8

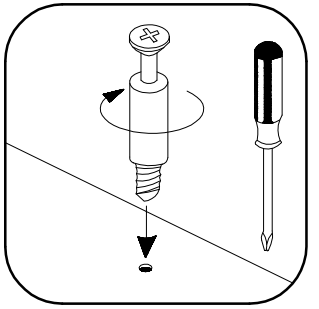
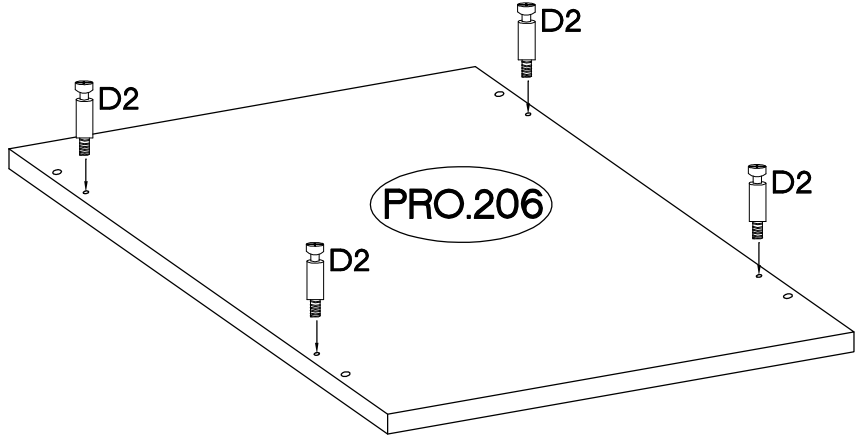
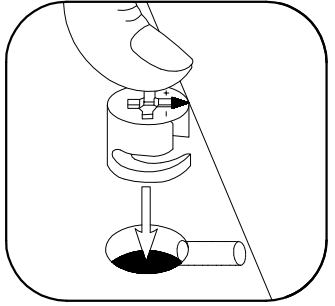
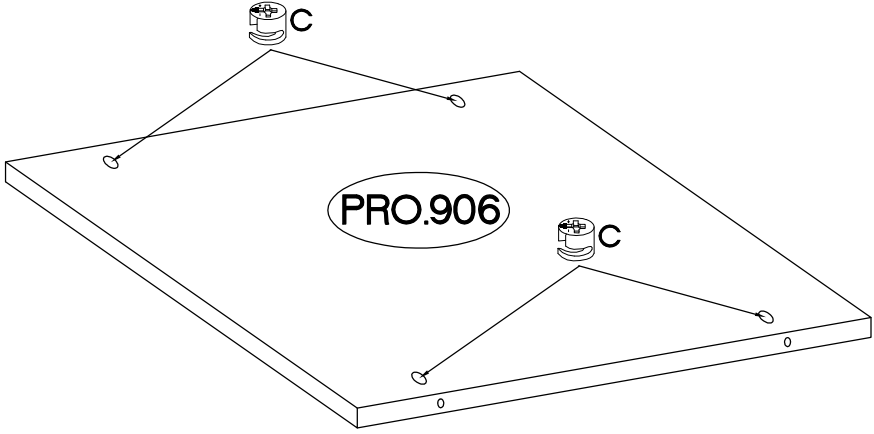
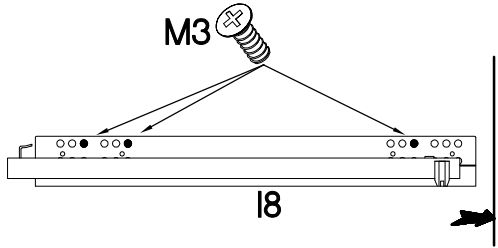
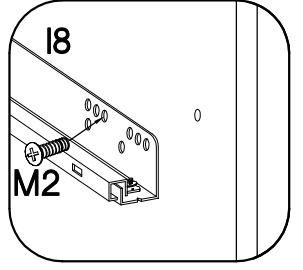
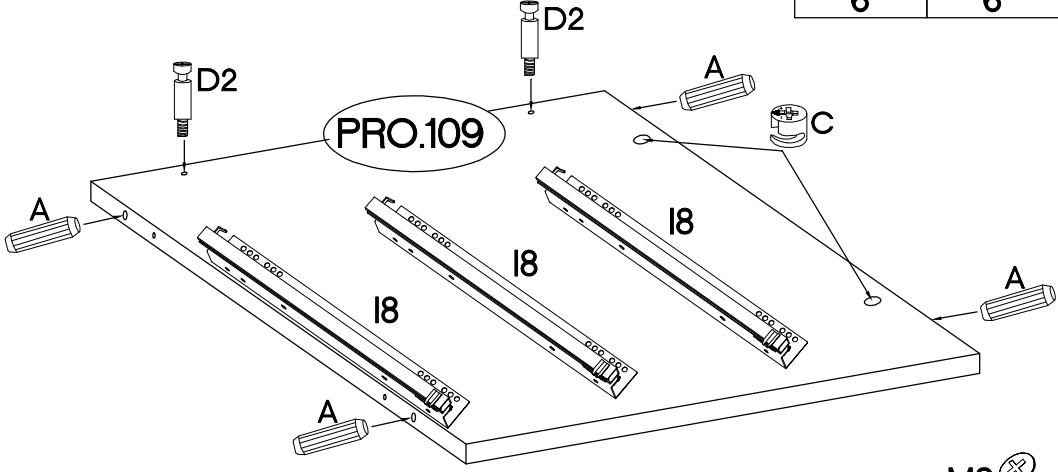


9


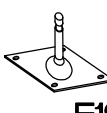
$\pm 15/12 \text{ mm}$ 	L=20mm 	$\pm 8 \times 30 \text{ mm}$ 	L=350mm 	$\pm 20/8 \text{ mm}$ 	$\pm 6,3 \times 20 \text{ mm}$
C	D2	A	I8	J14	M3
2	2	4	3	9	9

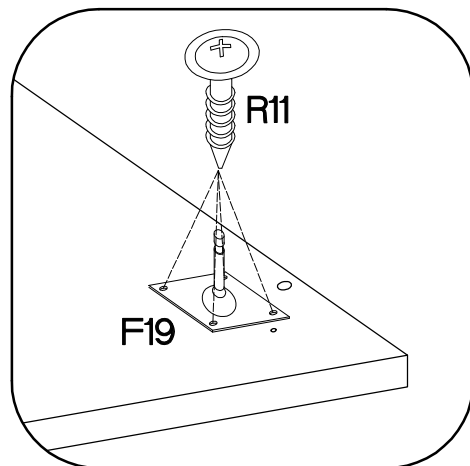
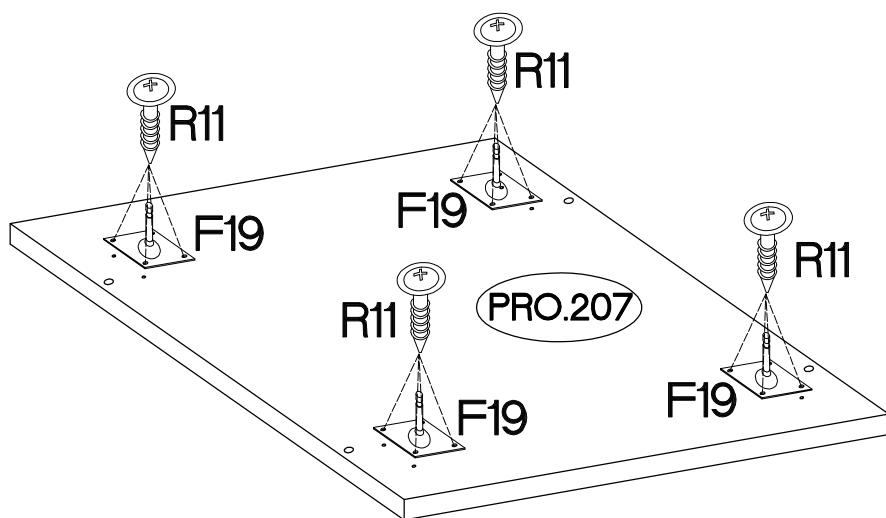


				
#5/12mm	L=20mm	+8x30mm	L=350mm	+6,3x13mm
6	6	4	3	9




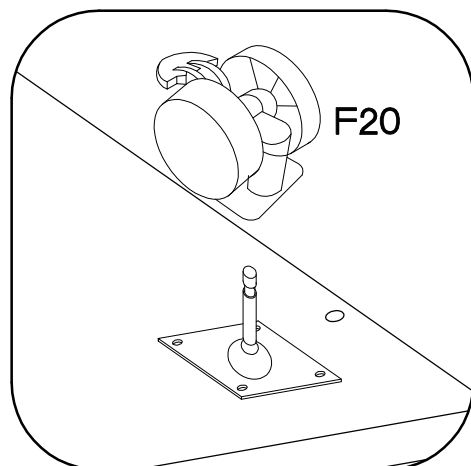
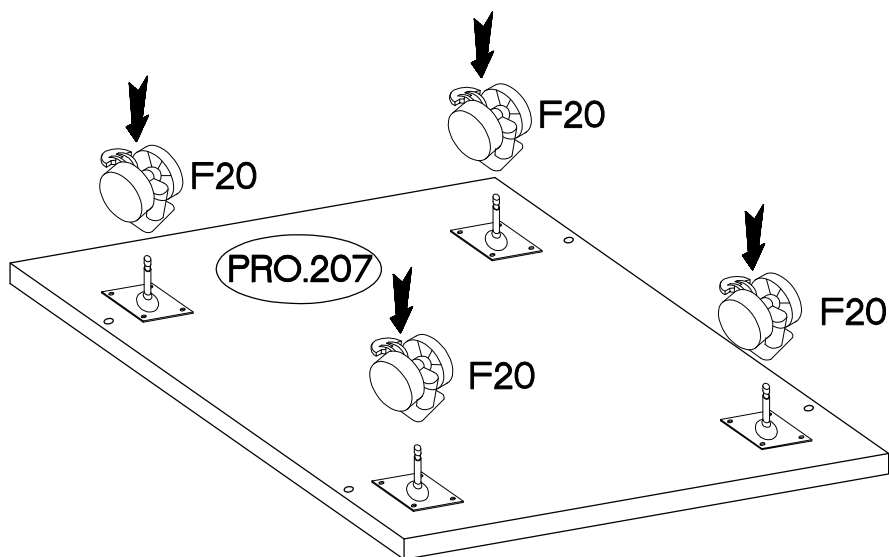
11

 R11	 F19
16	4

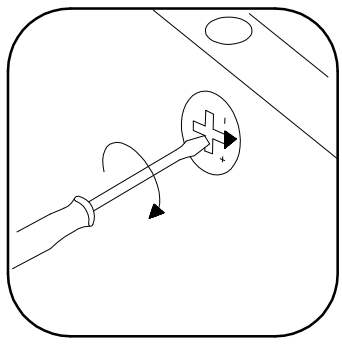
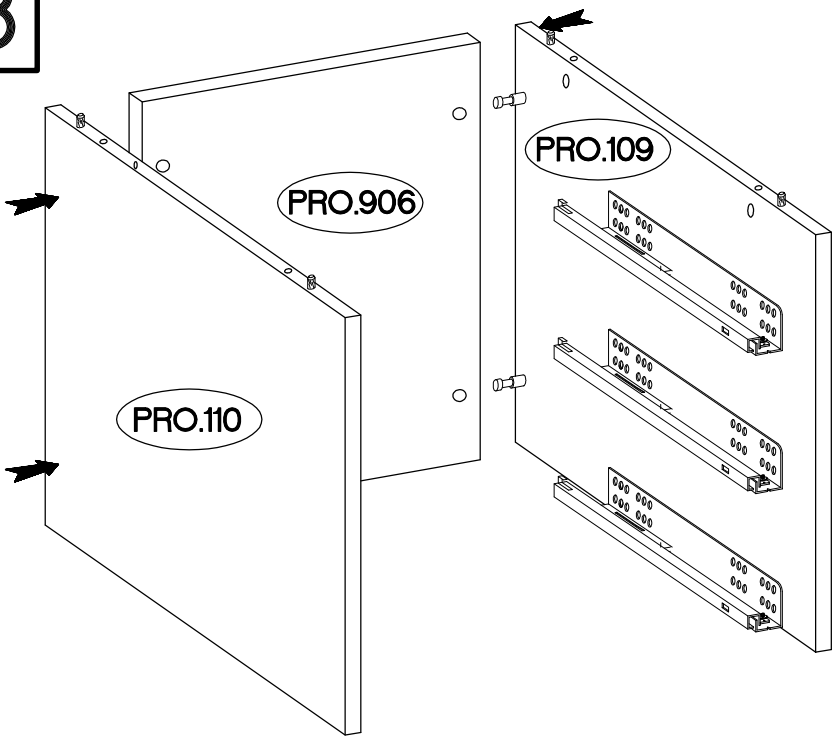


12

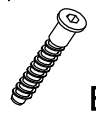

 F20
4

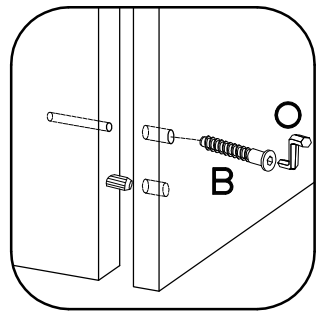
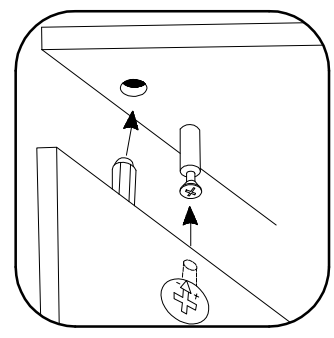
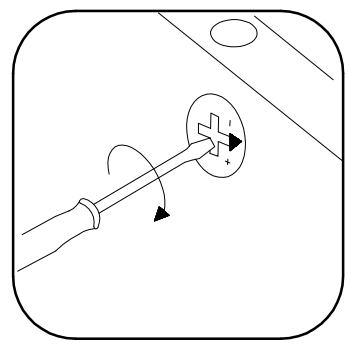
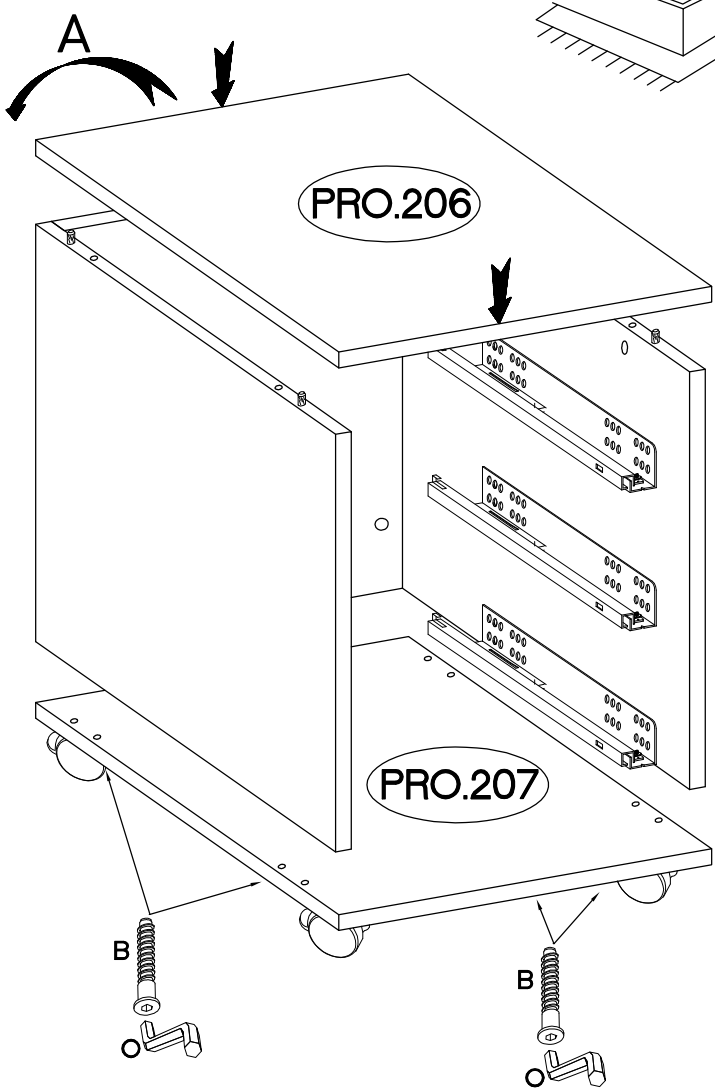
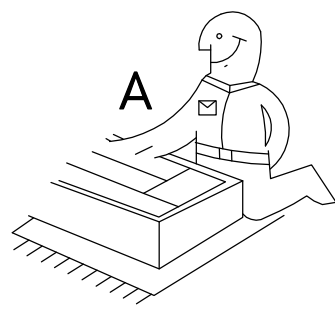


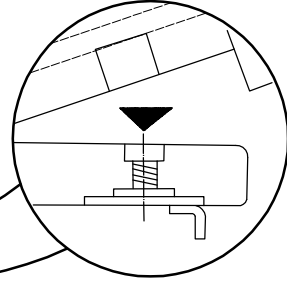
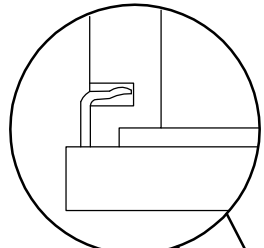
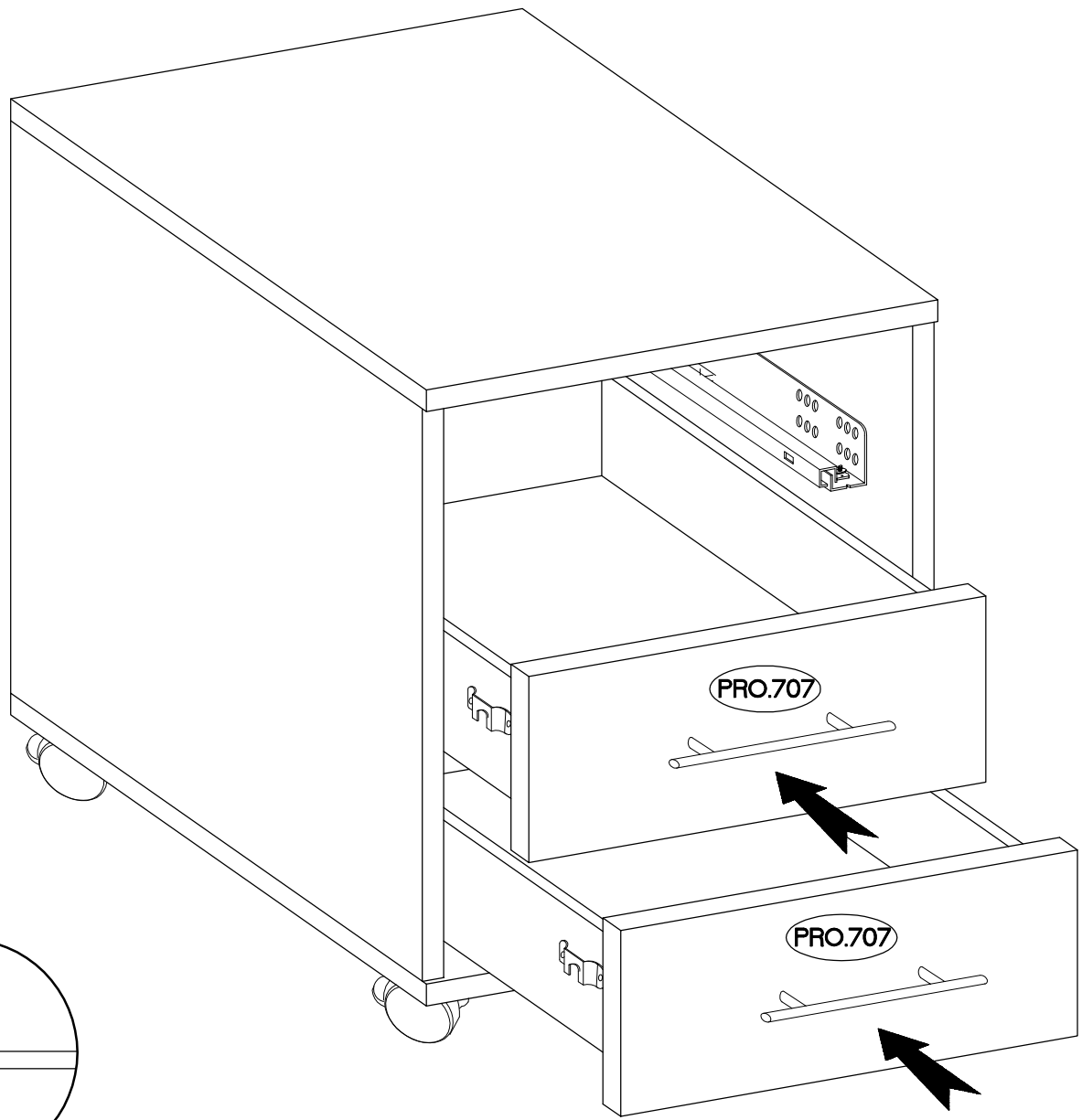
13



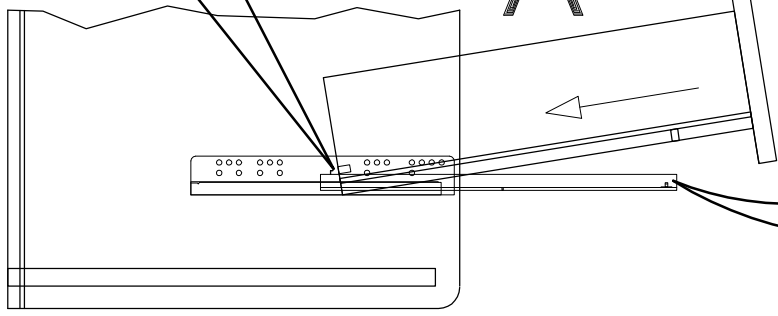
14

6,4 x 50mm	
	
B	O
4	1

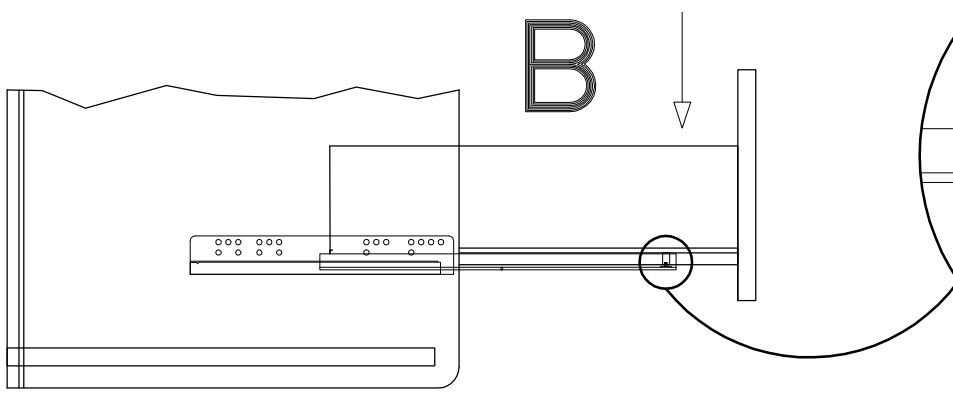
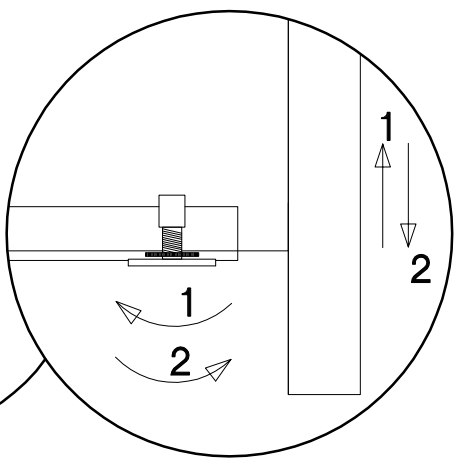


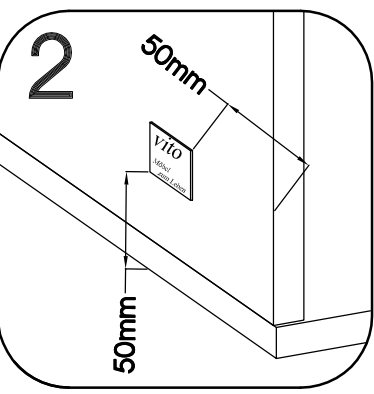
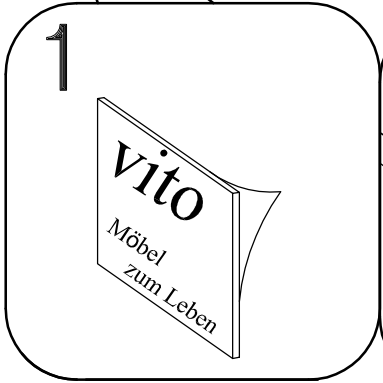
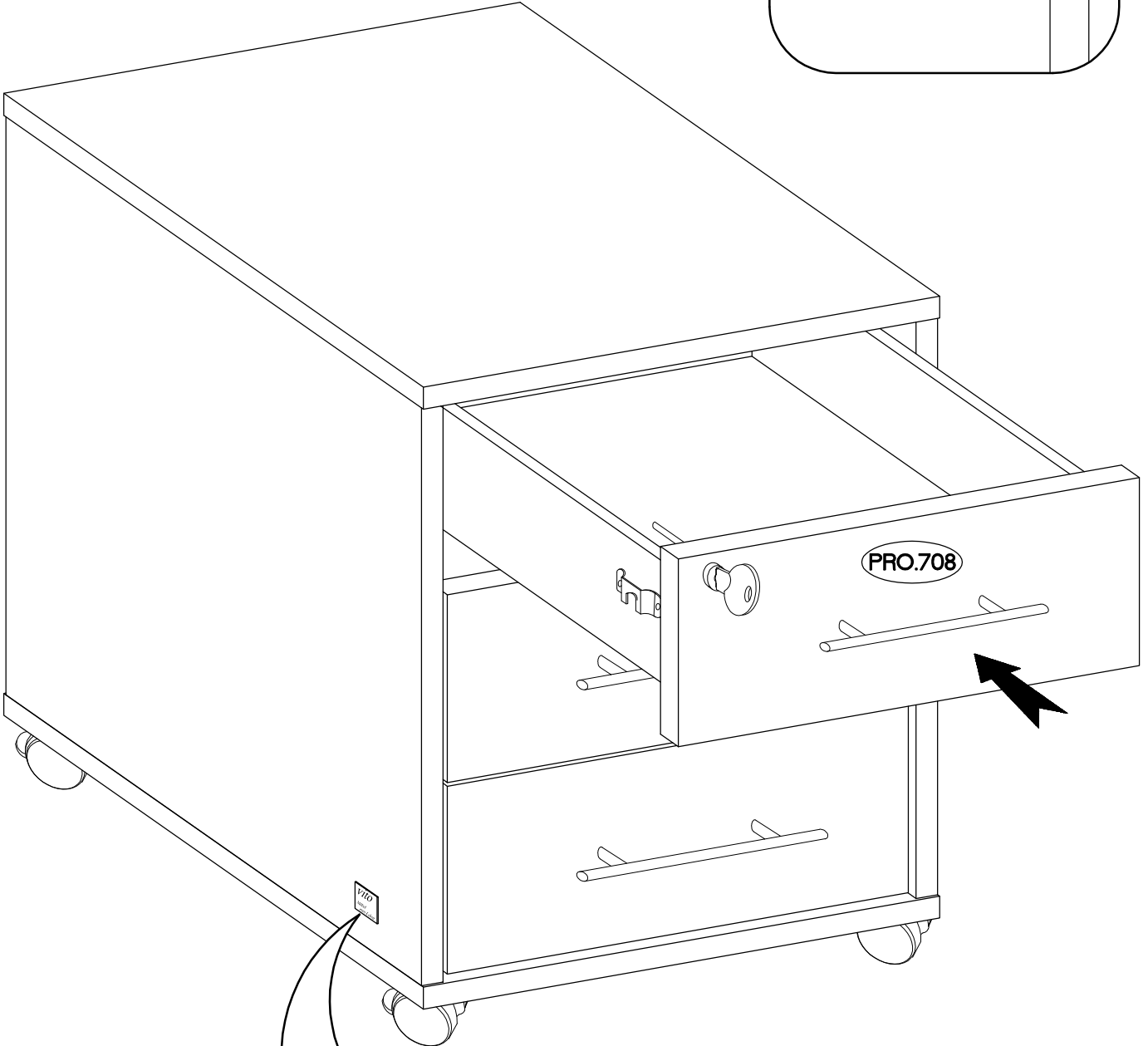
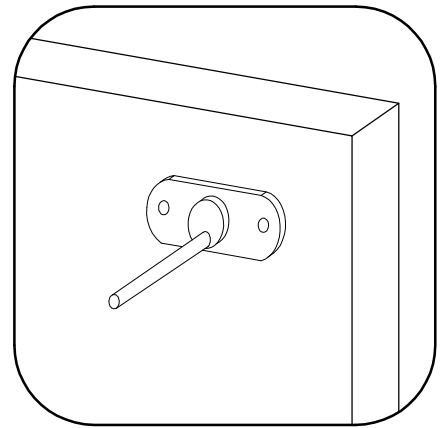
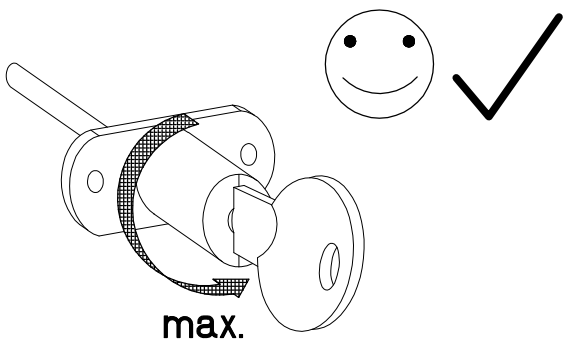


A



B





Option

L30
1