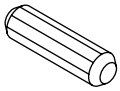
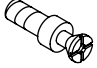


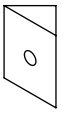
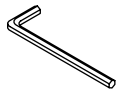
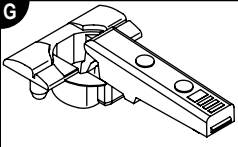

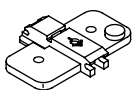
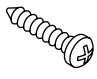
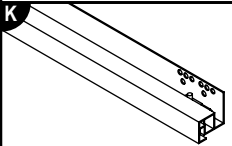


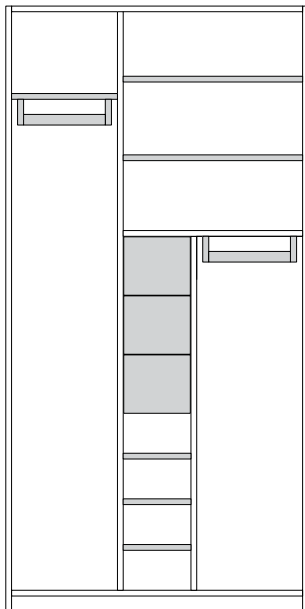
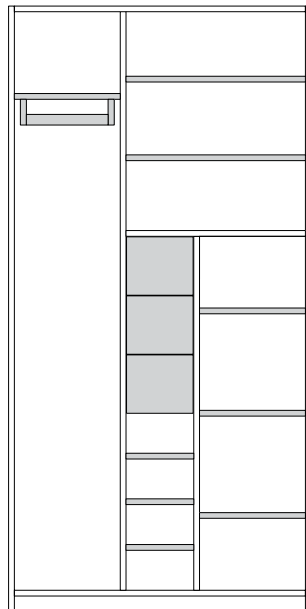


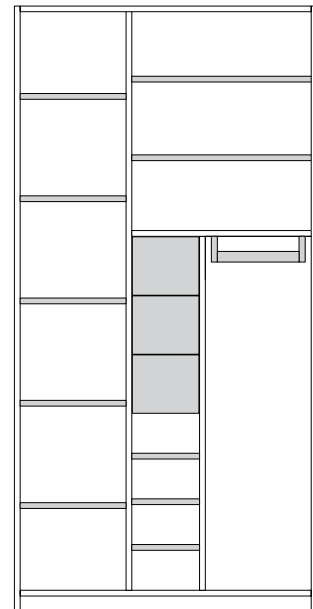
<b>A</b> 8,0 x 30 mm  12x	<b>B</b> 5,0 x 11 mm  20x	<b>C</b> 10 / 15  4x	<b>D</b> 3,0 x 25 mm  8x	<b>E</b>  8x
<b>F</b> SW 4  1x	<b>G</b>  8x	<b>H</b>  4x	<b>I</b>  8x	<b>J</b> 4,0 x 17 mm  16x
<b>K</b>  6x	<b>L</b> 4,2 x 10,5 mm  18x	<b>M</b> 3,0 x 20 mm  3x		



PL 301 B



PL 302 B



PL 303 B

PL 301 B

<b>N</b>  4,0 x 20 mm 4x	<b>O</b>  2x	<b>P</b>  4x	<b>Q</b>  M6 x 25 mm 2x	<b>R</b>  20x
-----------------------------------	--------------------	--------------------	----------------------------------	---------------------

PL 302 B

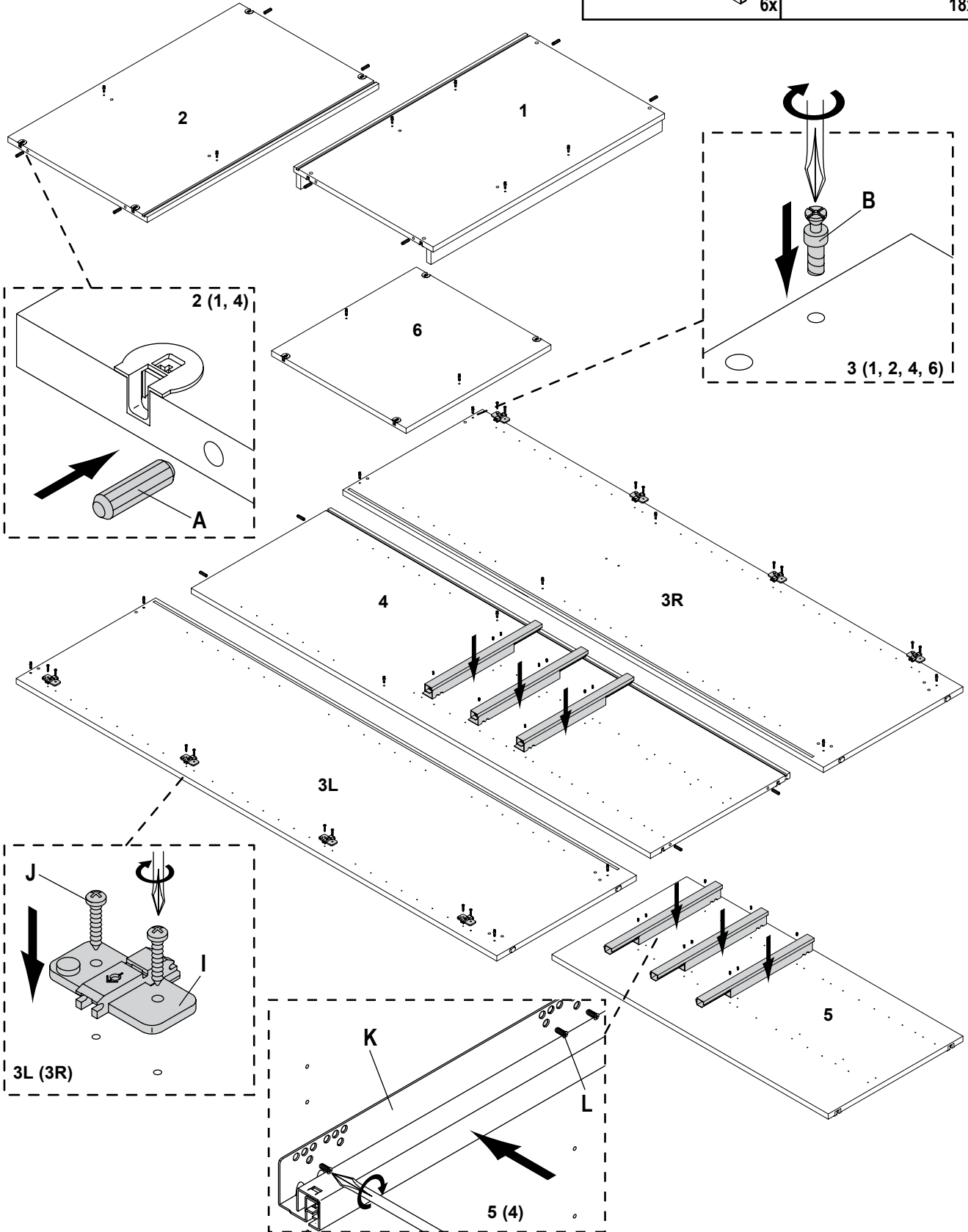
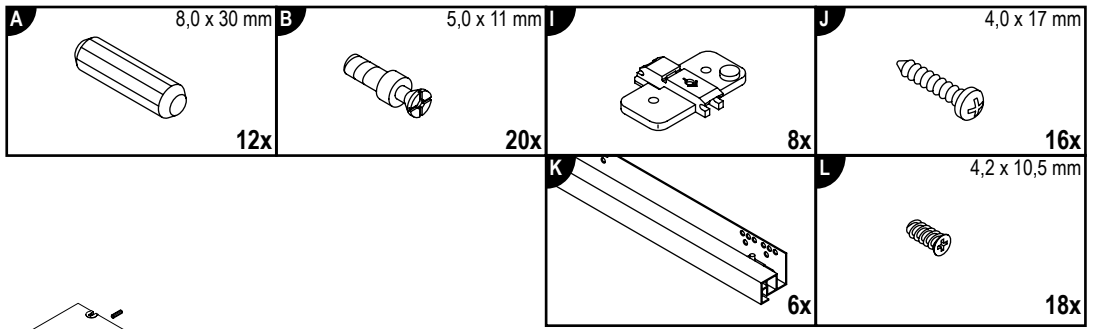
<b>N</b>  4,0 x 20 mm 0x	<b>O</b>  1x	<b>P</b>  2x	<b>Q</b>  M6 x 25 mm 2x	<b>R</b>  32x
-----------------------------------	--------------------	--------------------	----------------------------------	---------------------

PL 303 B

<b>N</b>  4,0 x 20 mm 4x	<b>O</b>  1x	<b>P</b>  2x	<b>Q</b>  M6 x 25 mm 0x	<b>R</b>  62x
-----------------------------------	--------------------	--------------------	----------------------------------	---------------------

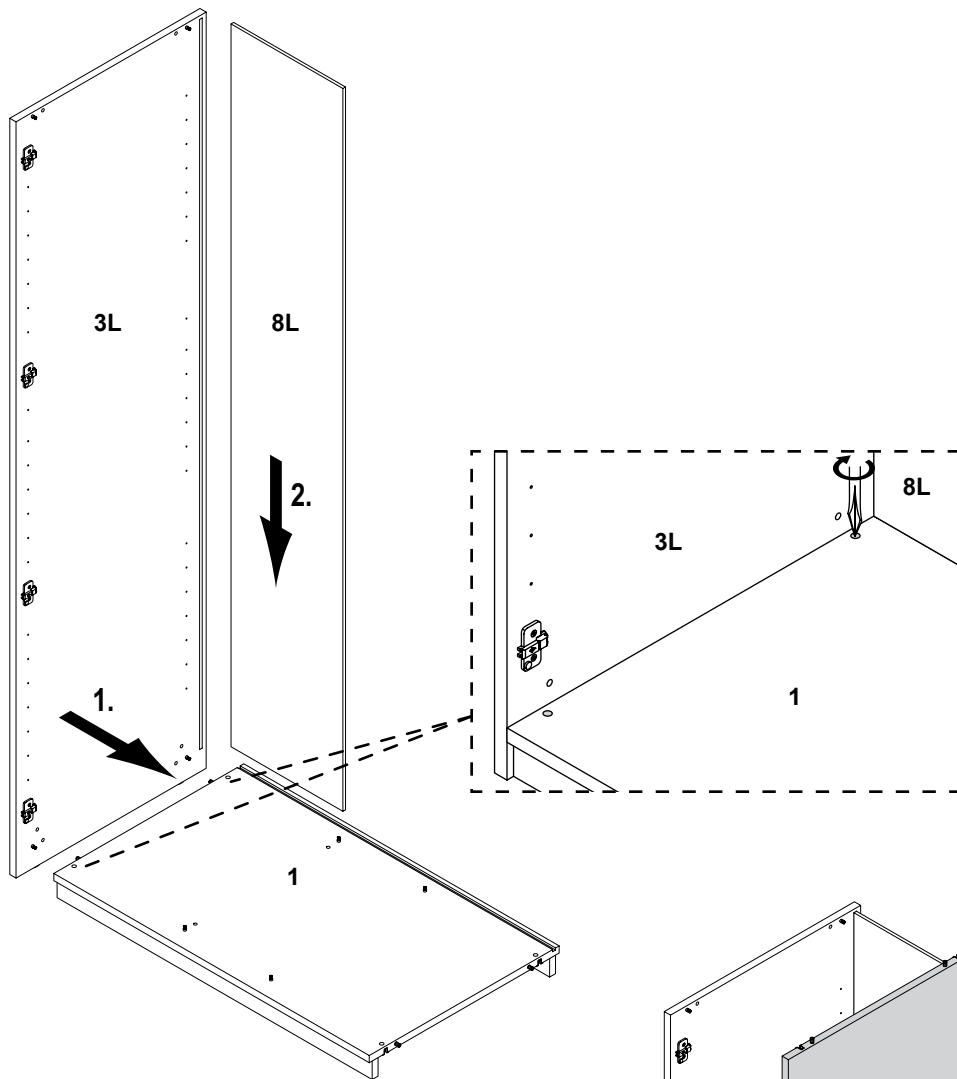


**1**

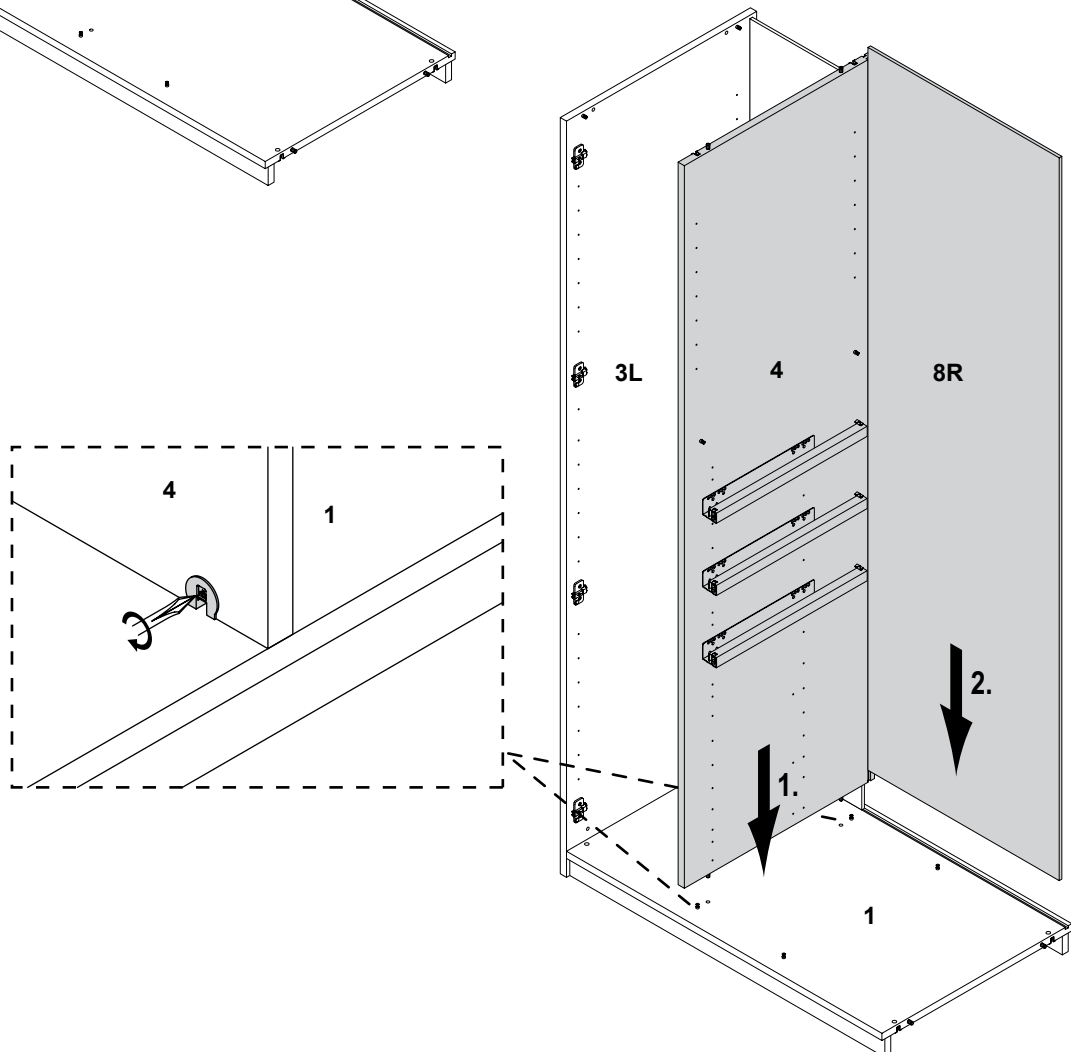




**2**

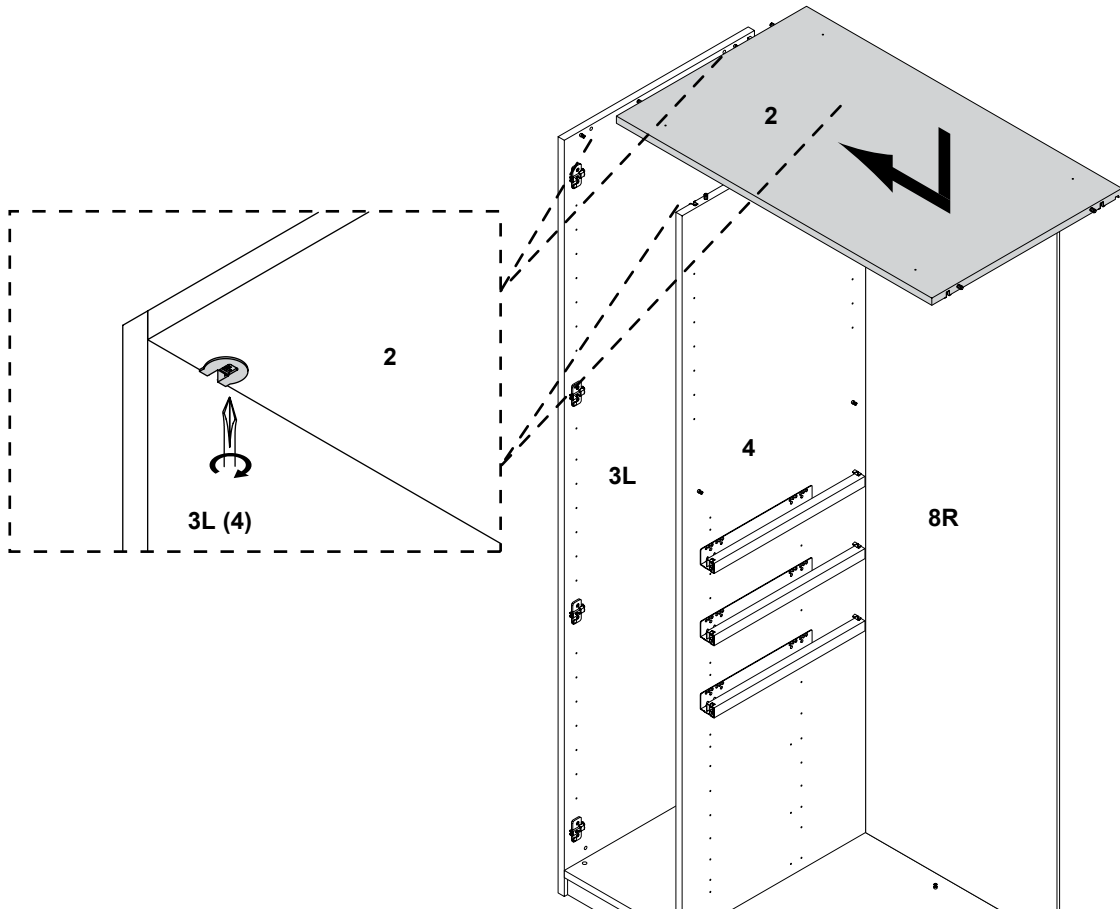


**3**

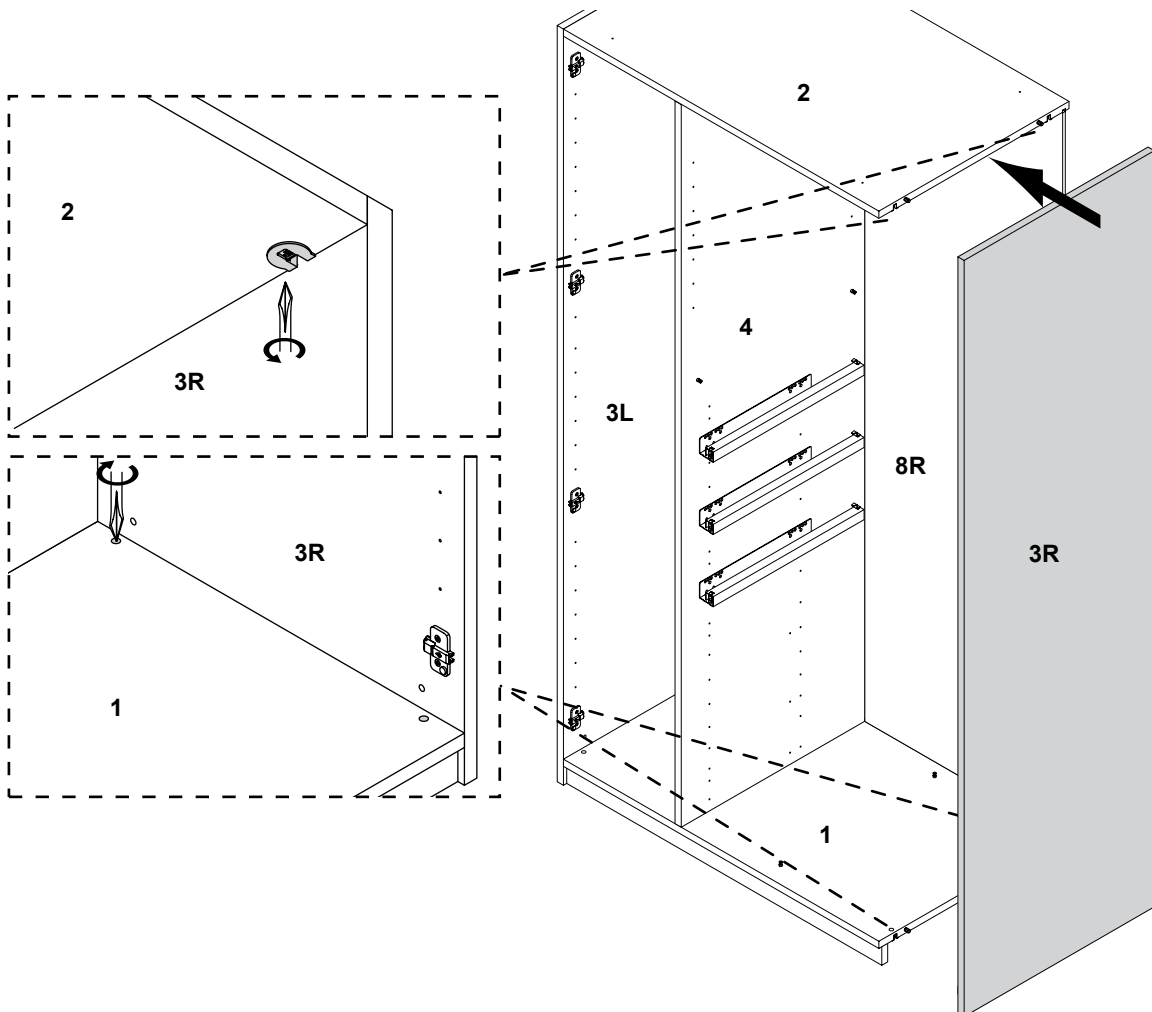




**4**

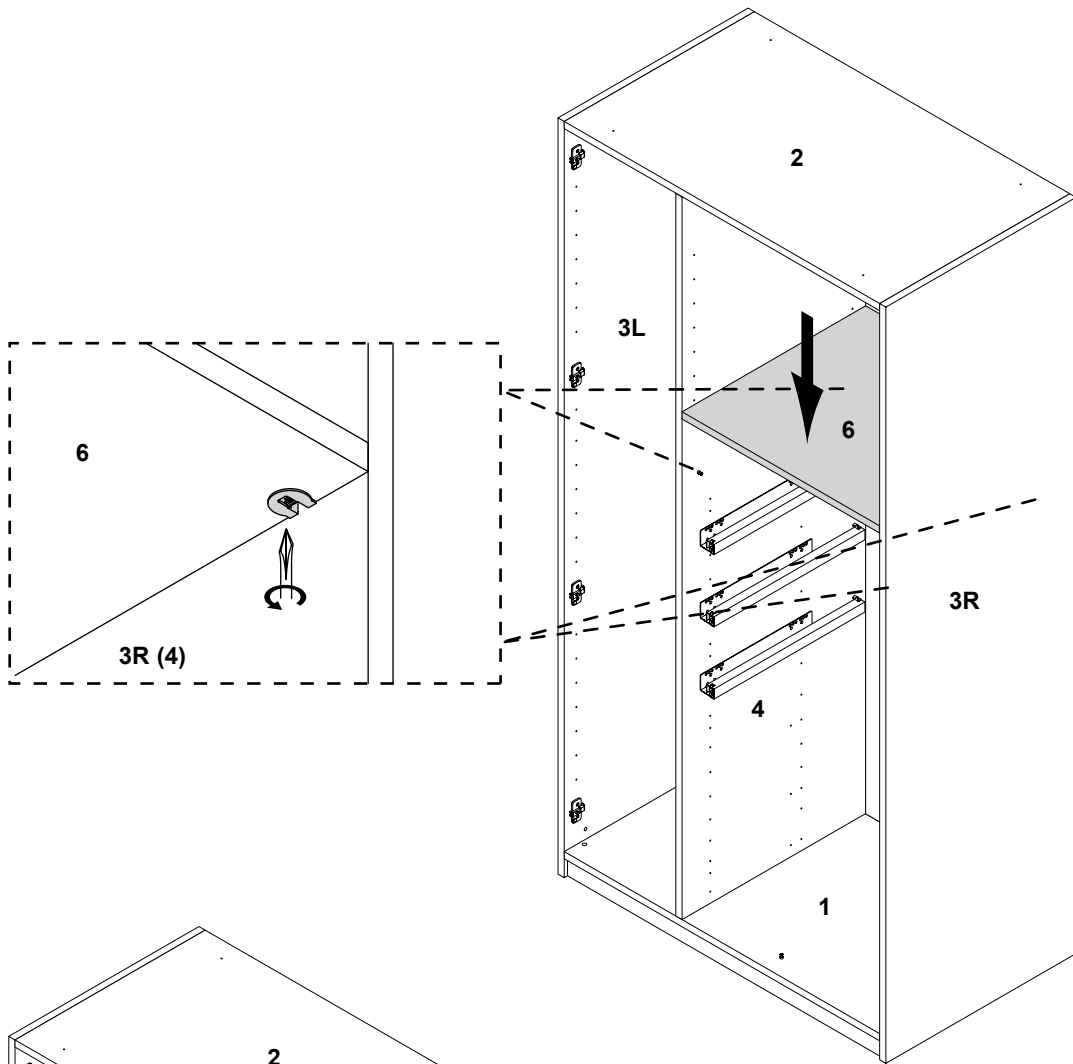


**5**

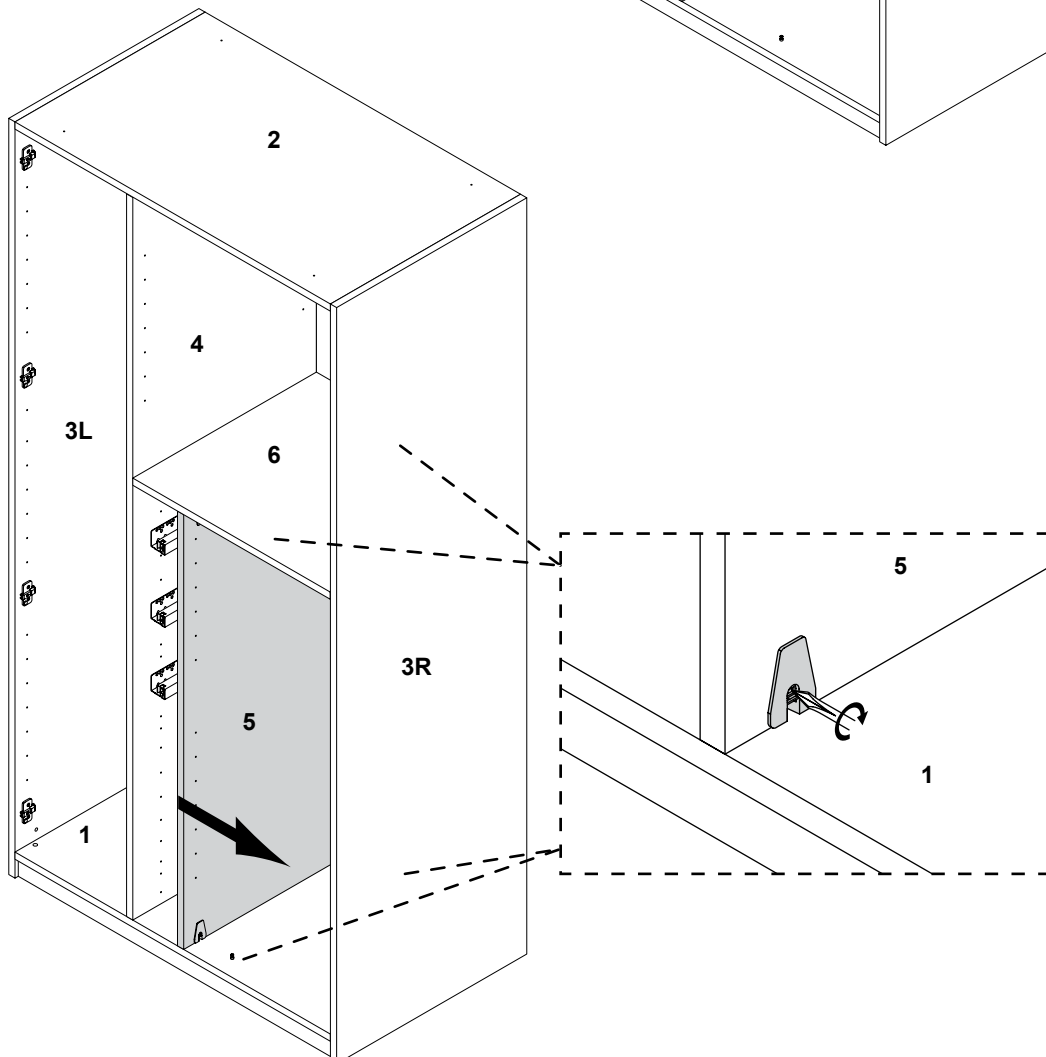




# 6

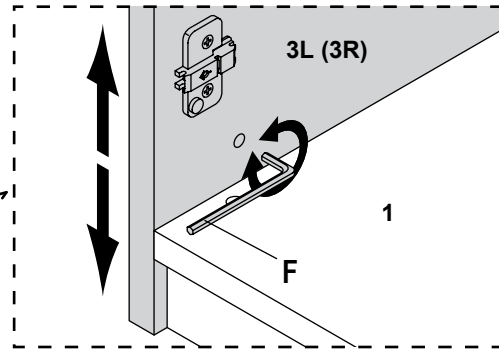
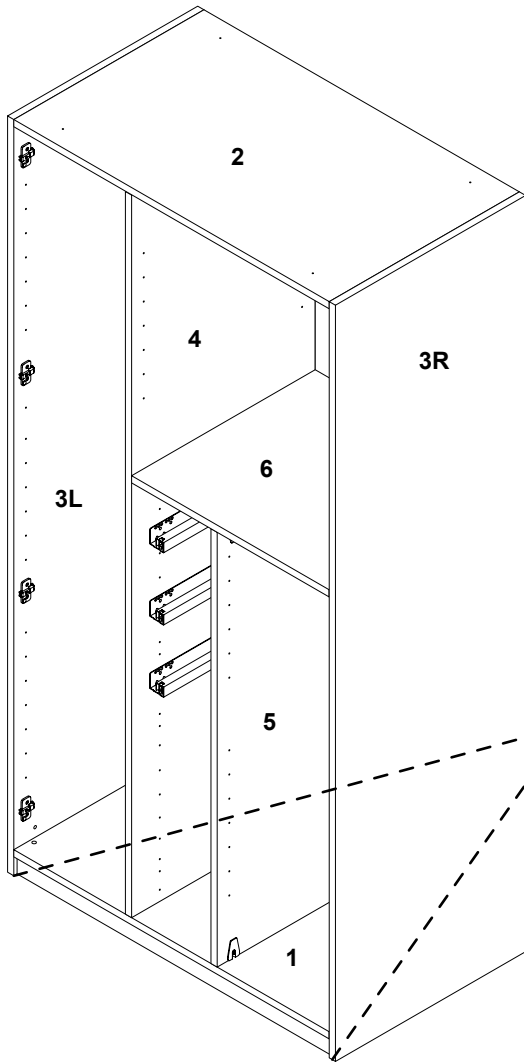
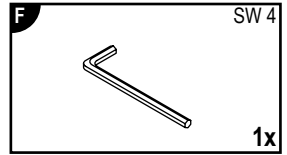


# 7

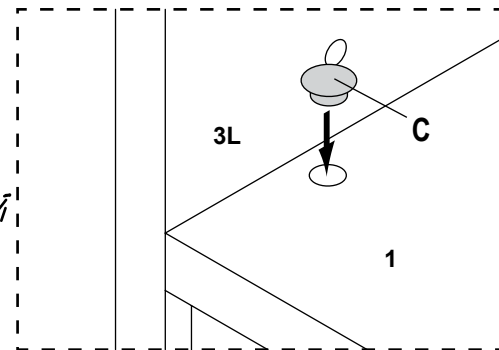
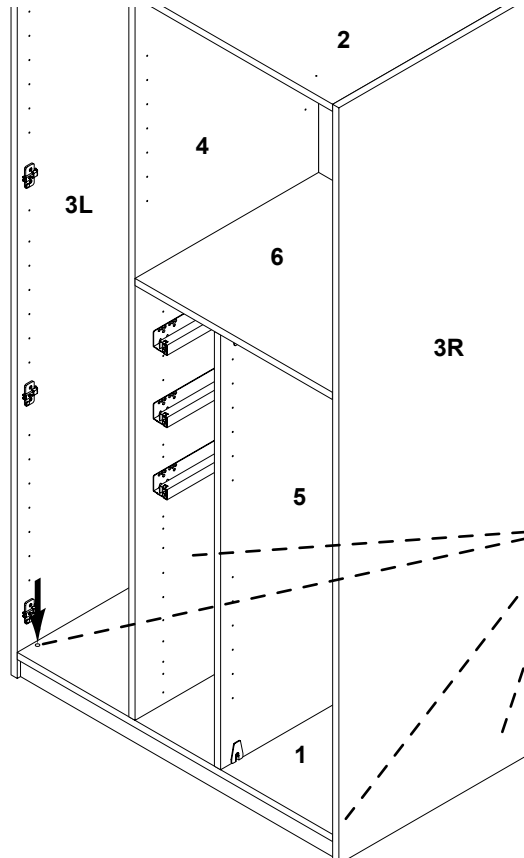
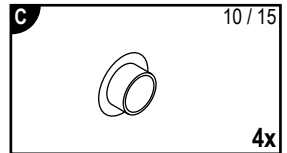




8



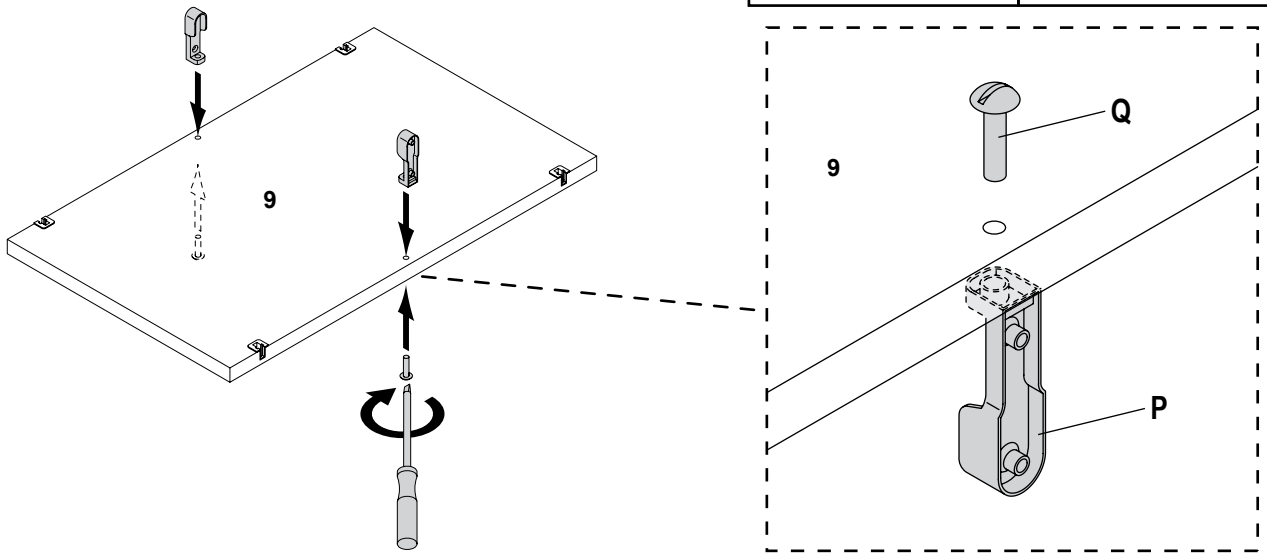
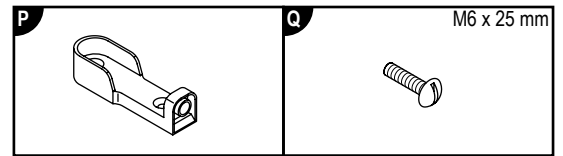
9



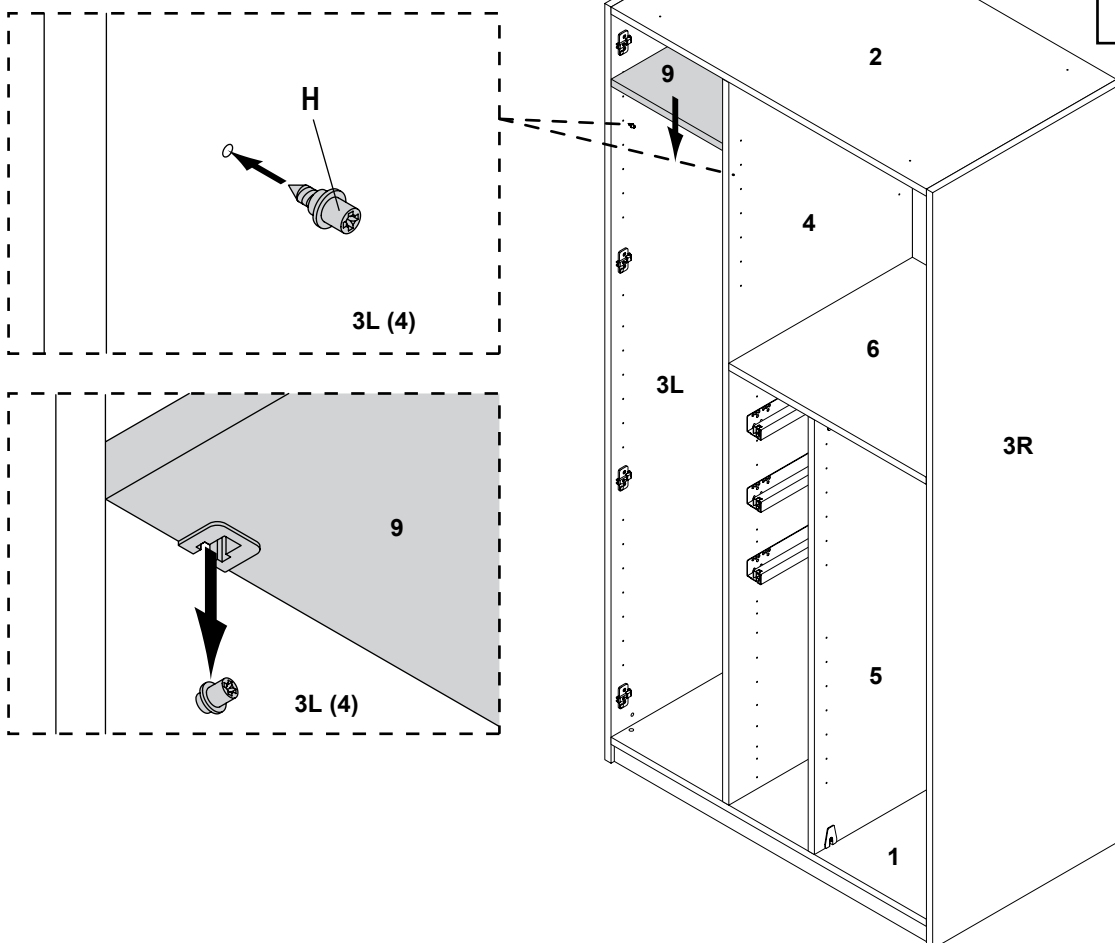
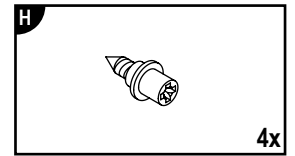




**10** PL 301 B  
PL 302 B



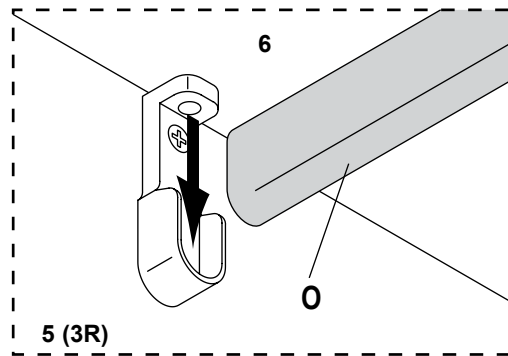
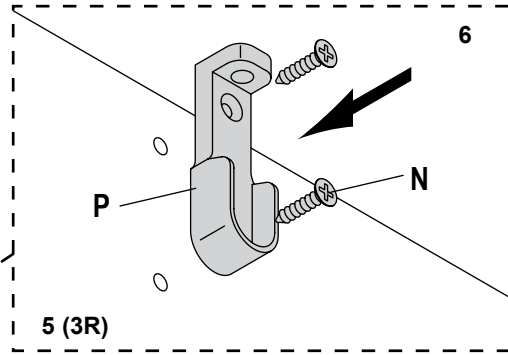
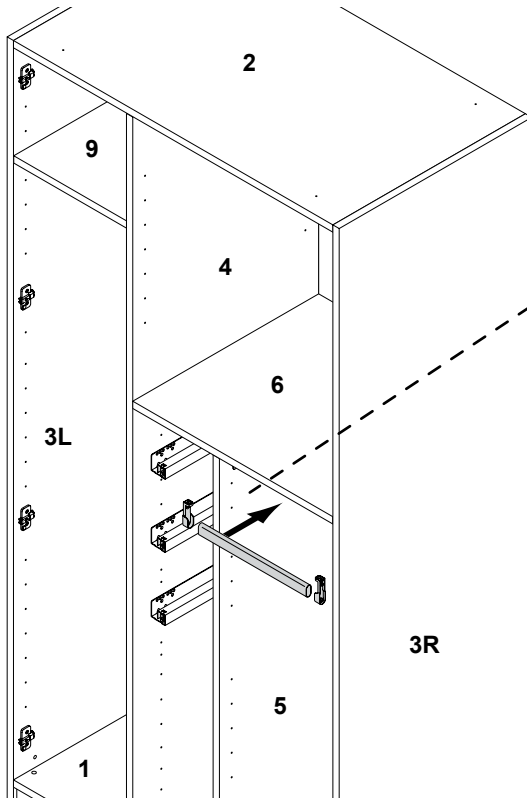
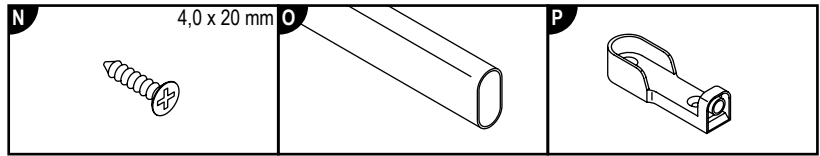
**11**



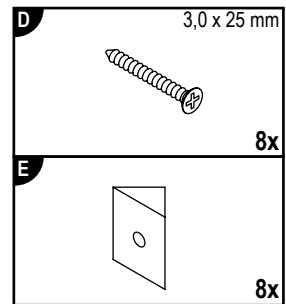
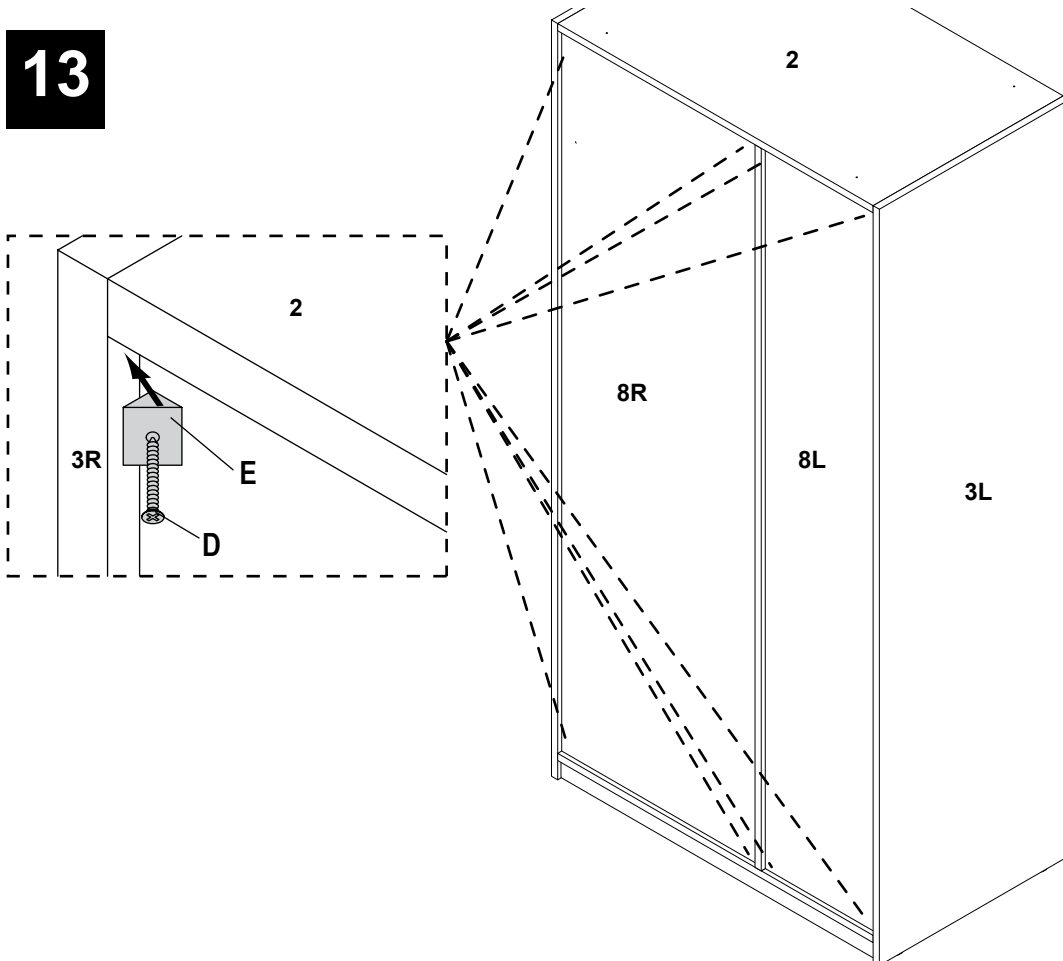


**12**

PL 301 B  
PL 303 B

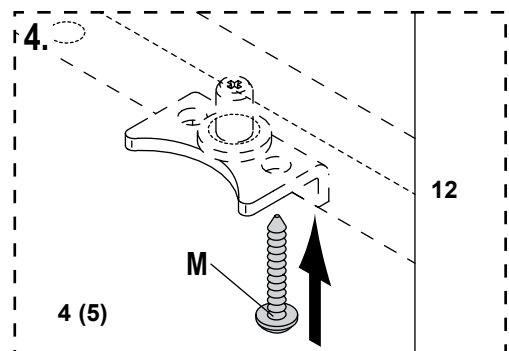
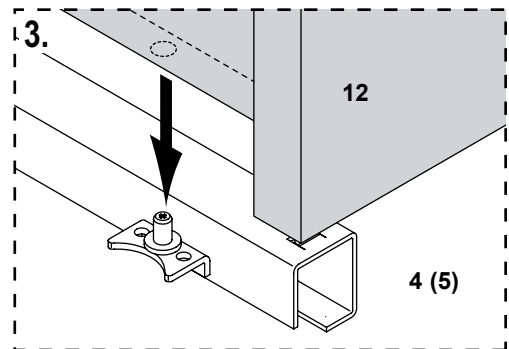
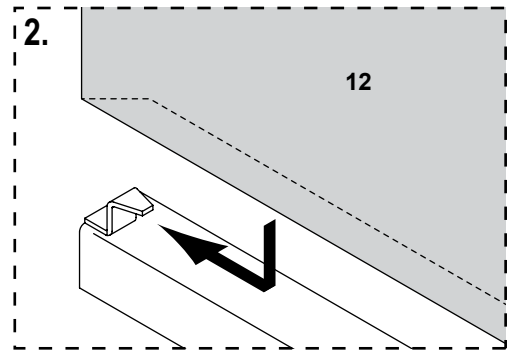
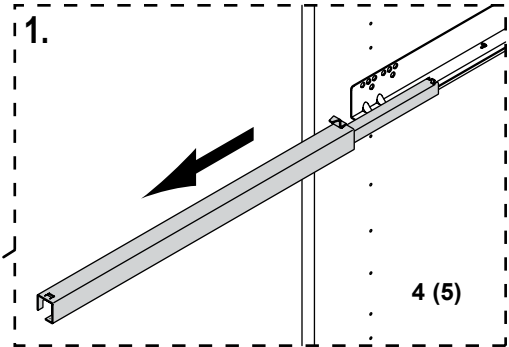
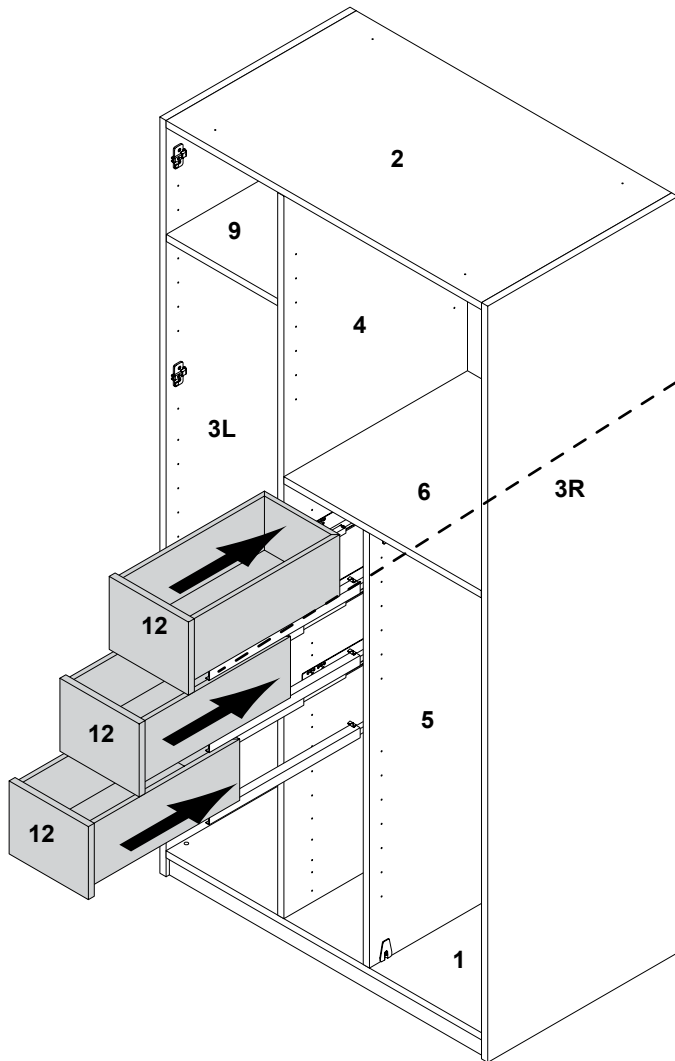
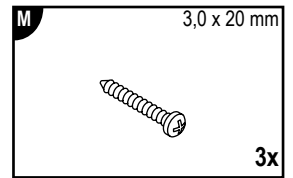


**13**



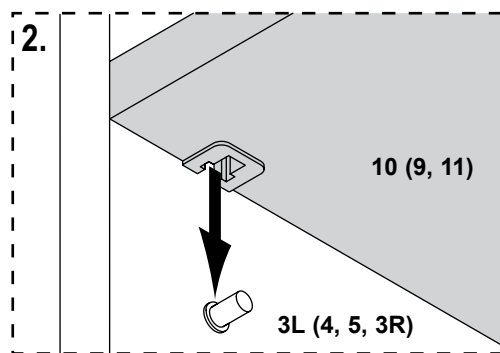
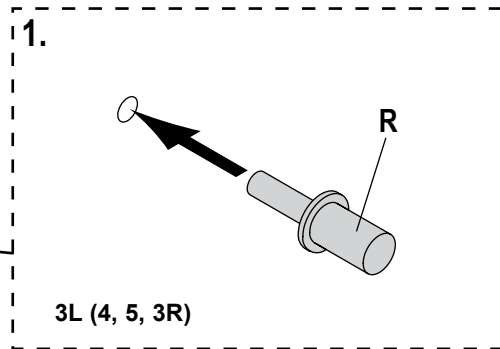
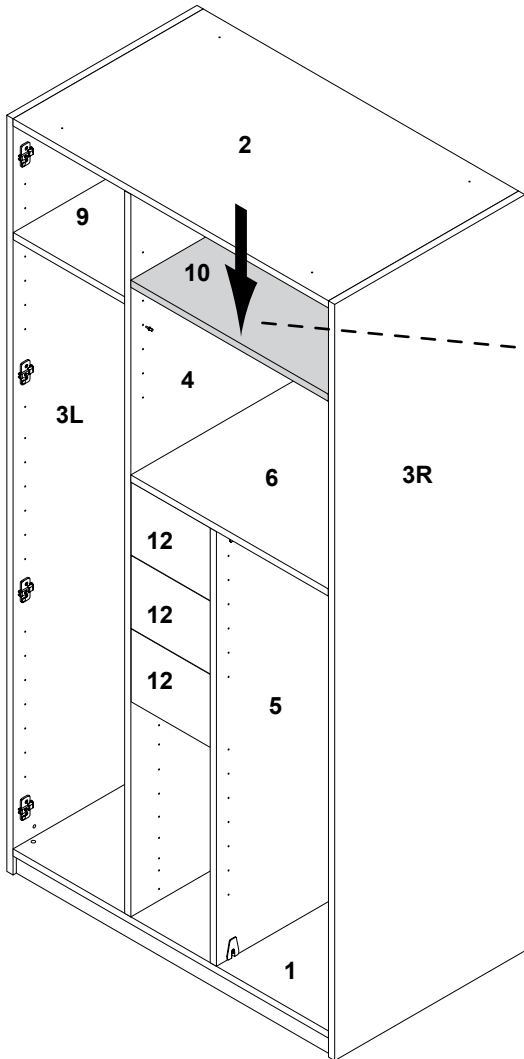
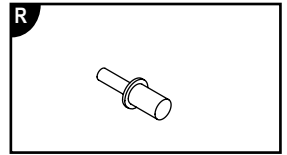


# 14



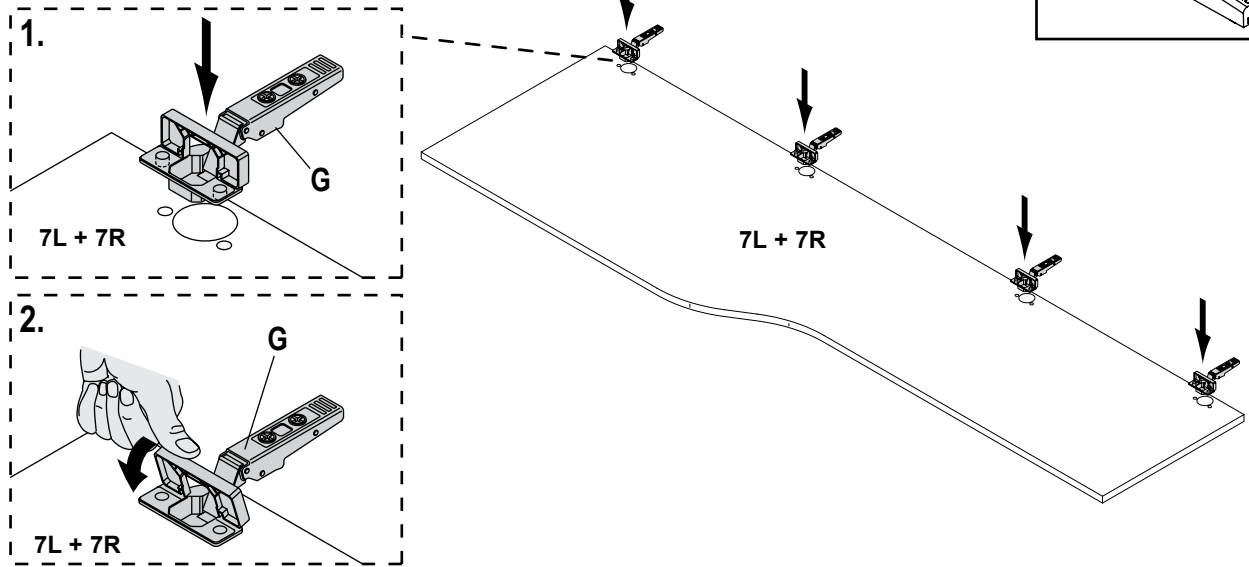
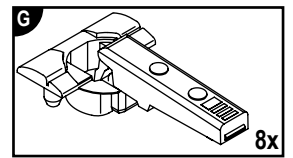


15

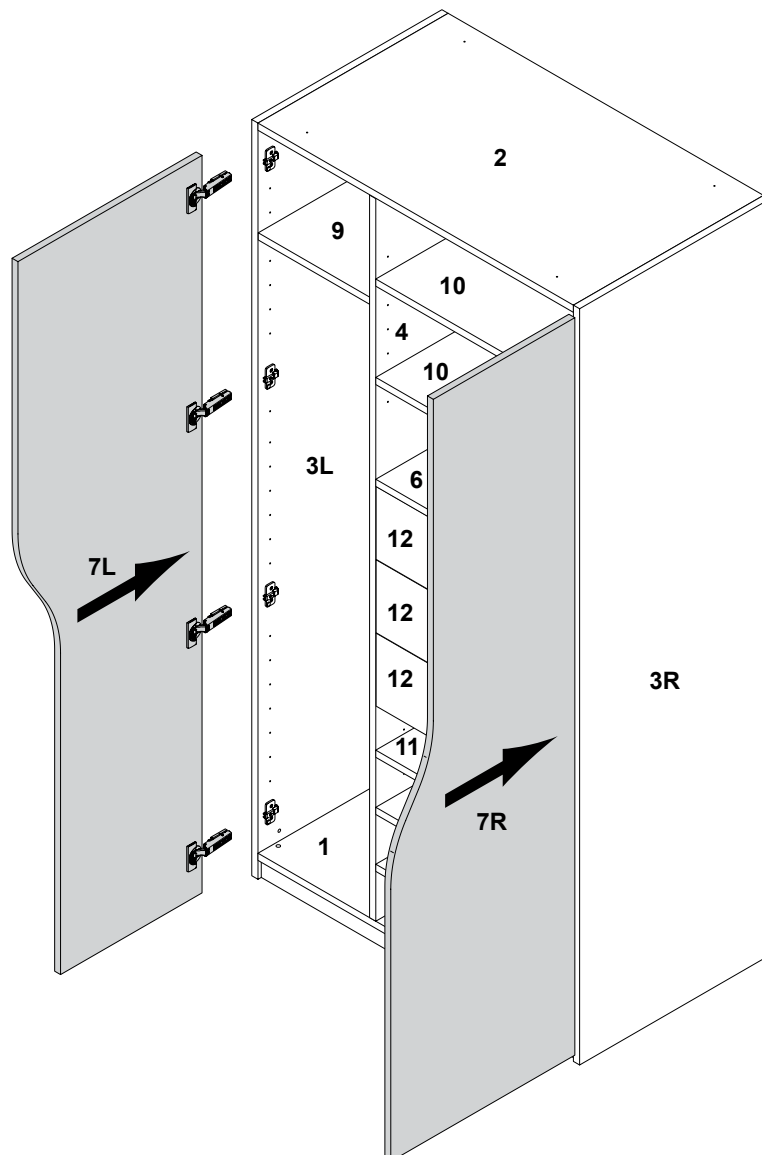


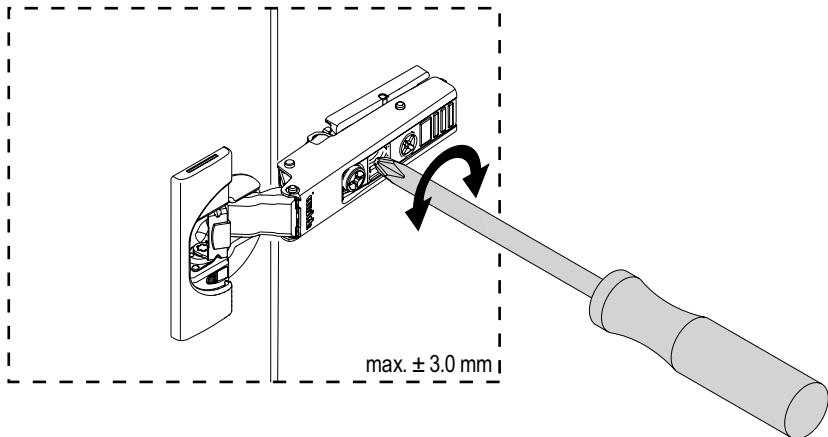
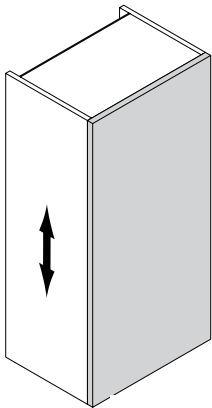
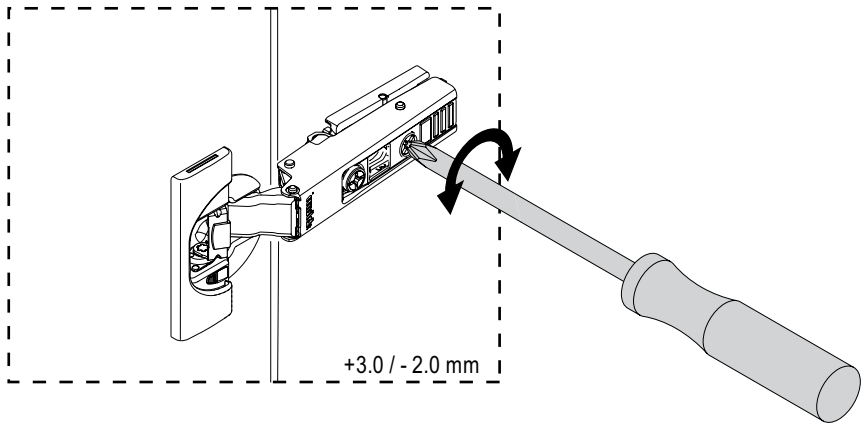
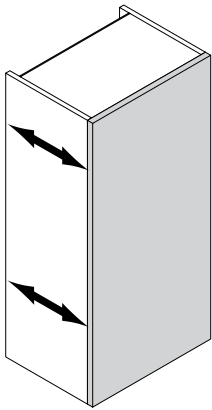
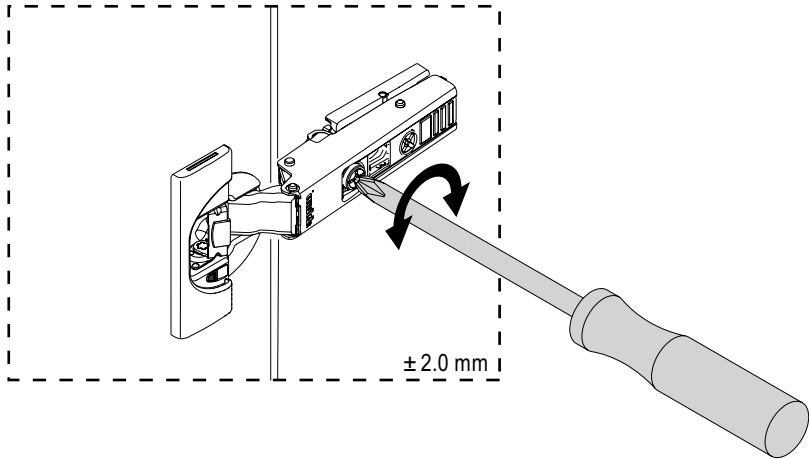
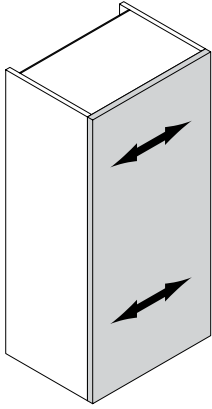


# 16



# 17





**Aktivierung  
Anschlagdämpfung**

