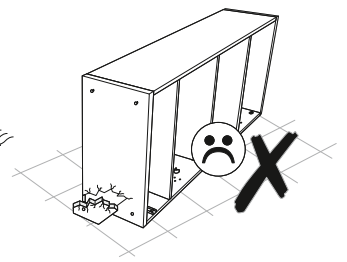
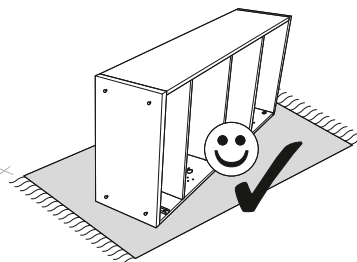
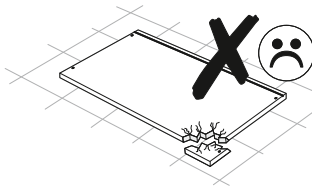
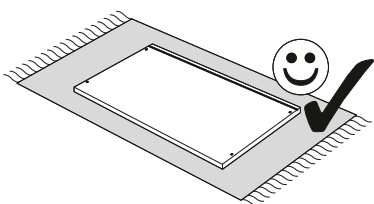
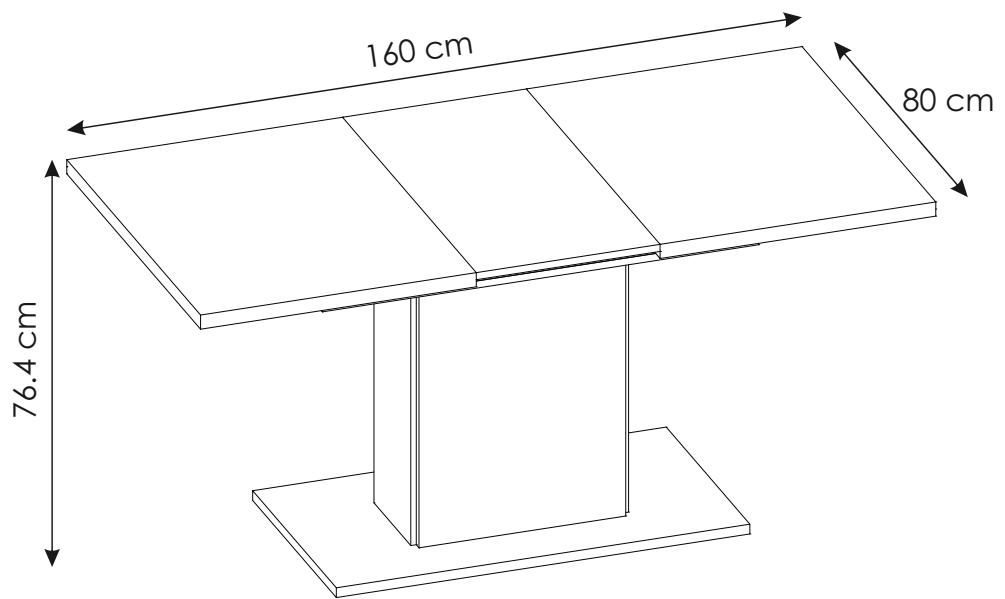
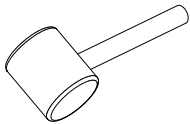
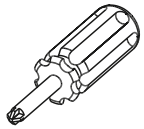
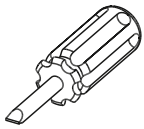
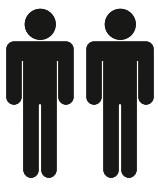
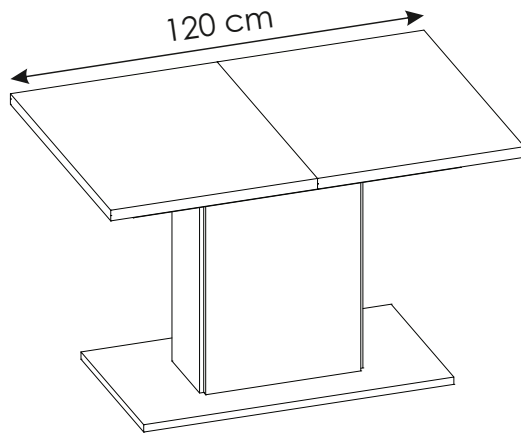
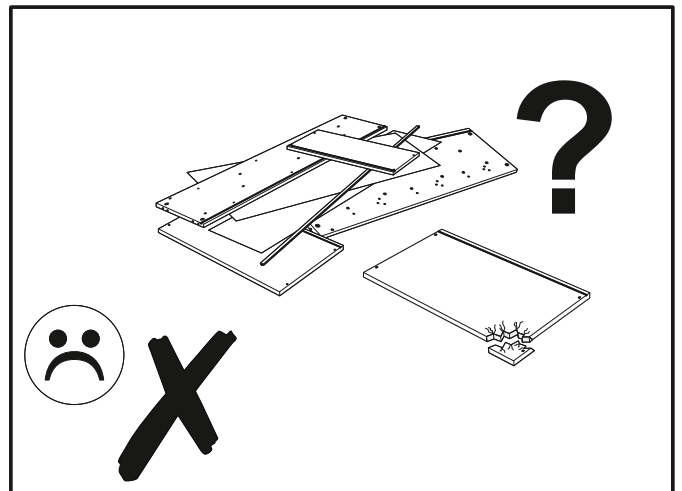
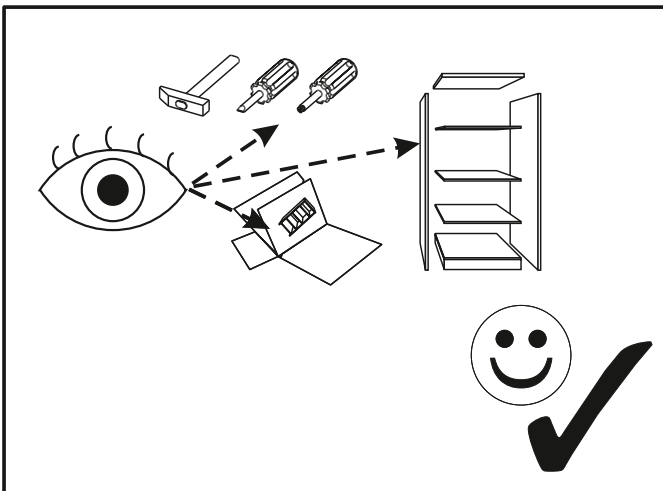
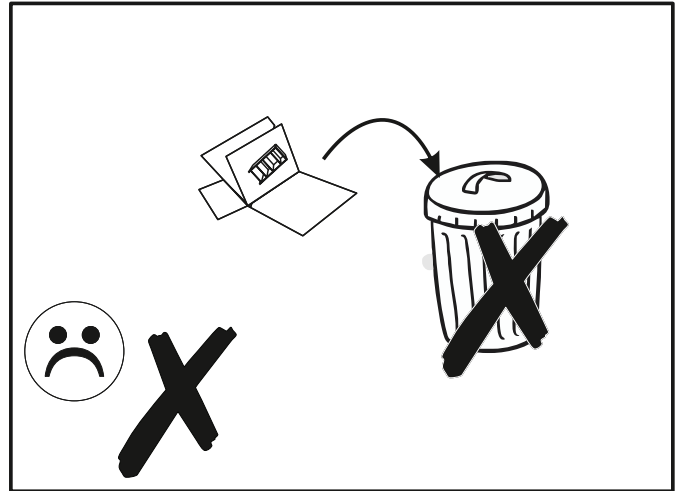
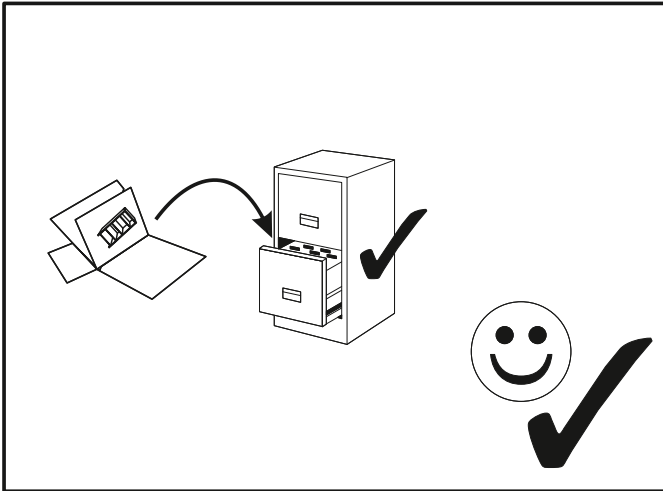
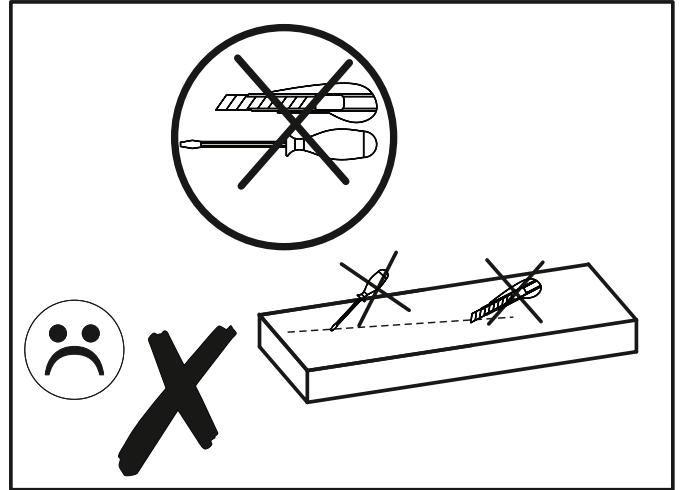
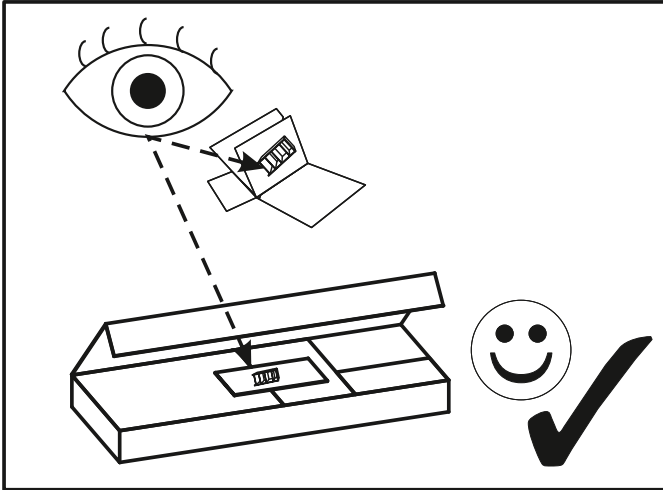


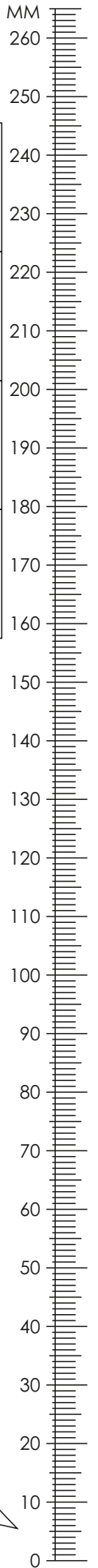
ARIANA xxx-548

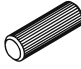
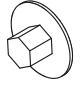



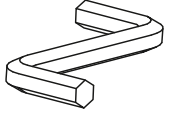

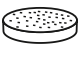

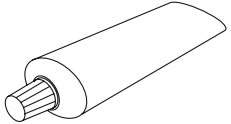


HELA Tische Möbel Vertriebs GmbH
Scheidkamp 14
D – 32584 Löhne

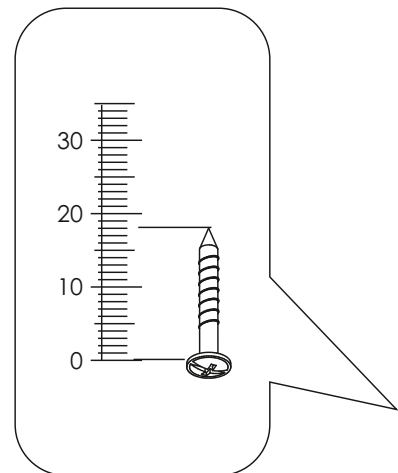




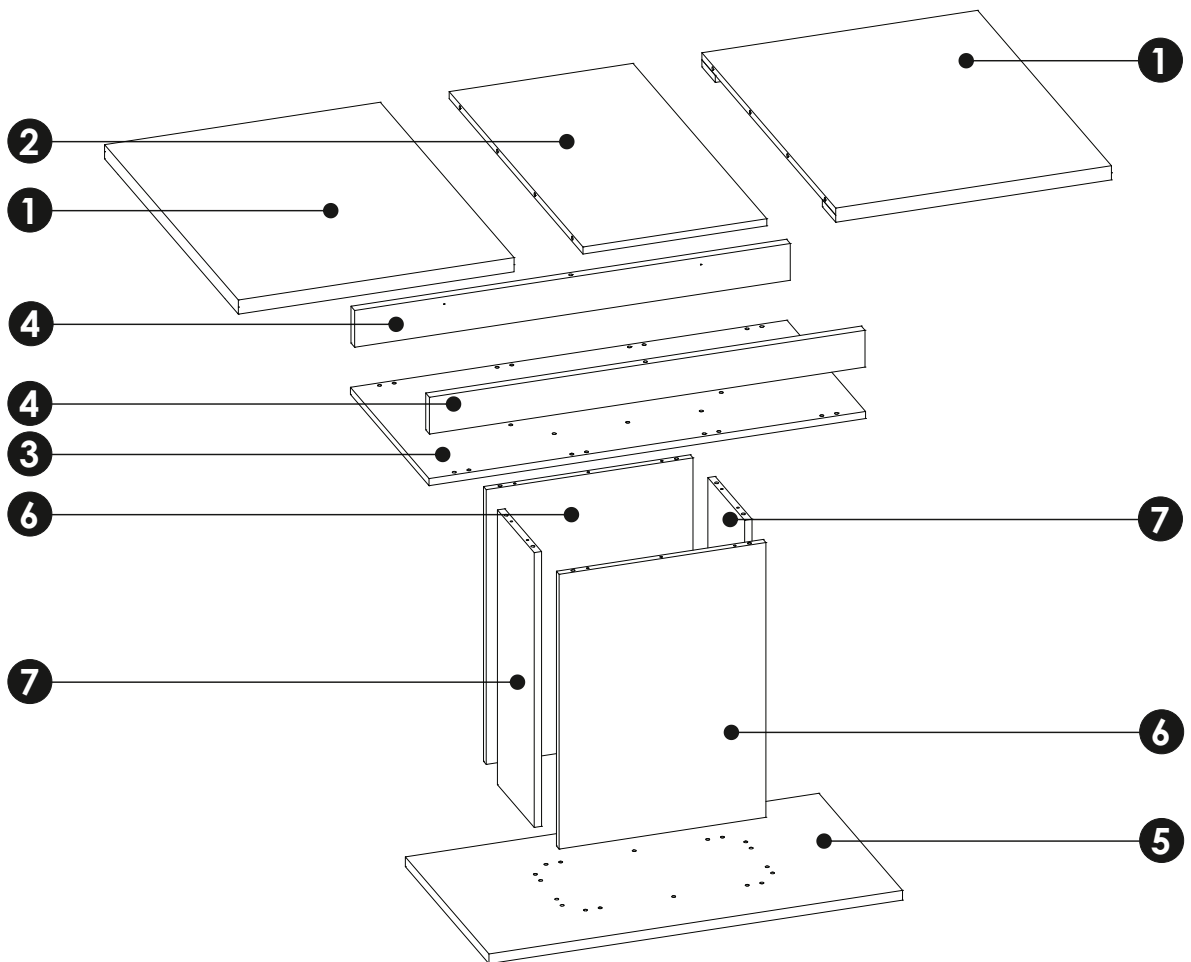
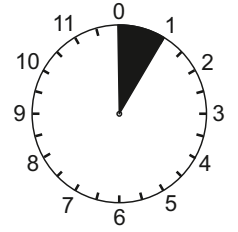
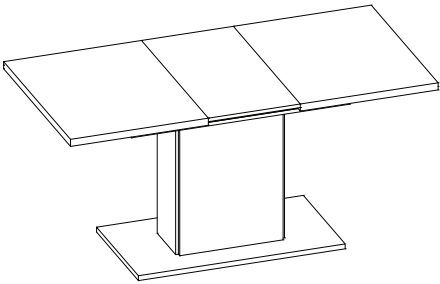
ARIANA xxx-548



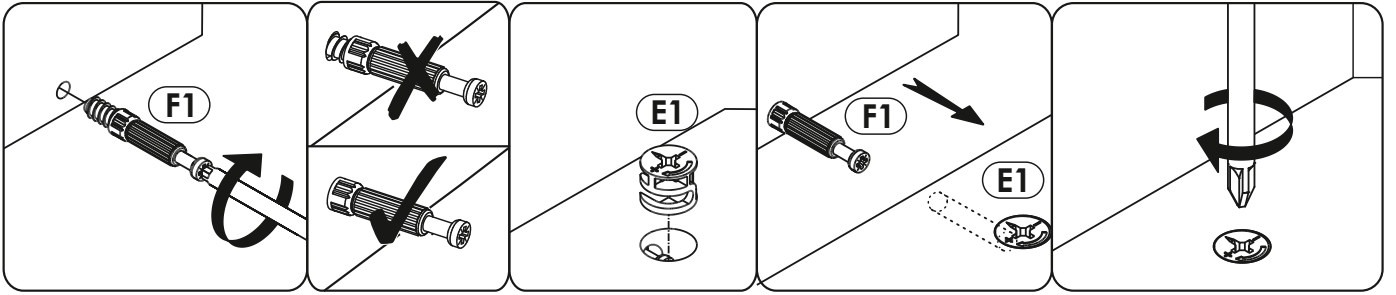
A1 8 x 35 mm x24 	G0 x18 	G2 7 x 60 mm x28 
I3 4 x 20 mm x12 	I4 4 x 12 mm x24 	M x1 
O2 x6 	O2A ø20 x8 	R8 x10 
S x1 	S19 x4 	T12 x2 



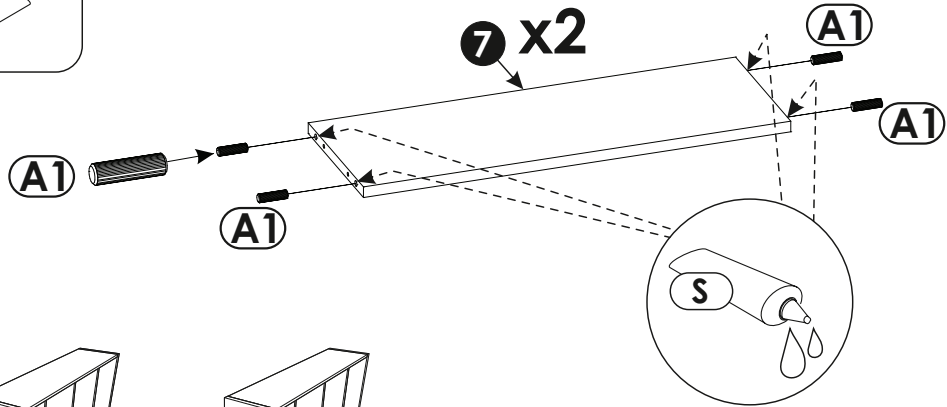
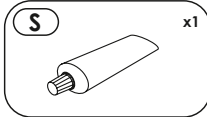
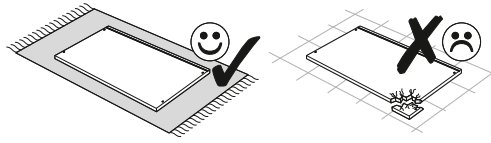
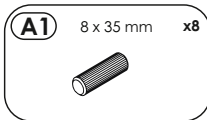
ARIANA xxx-548



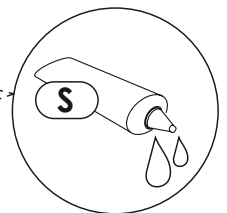
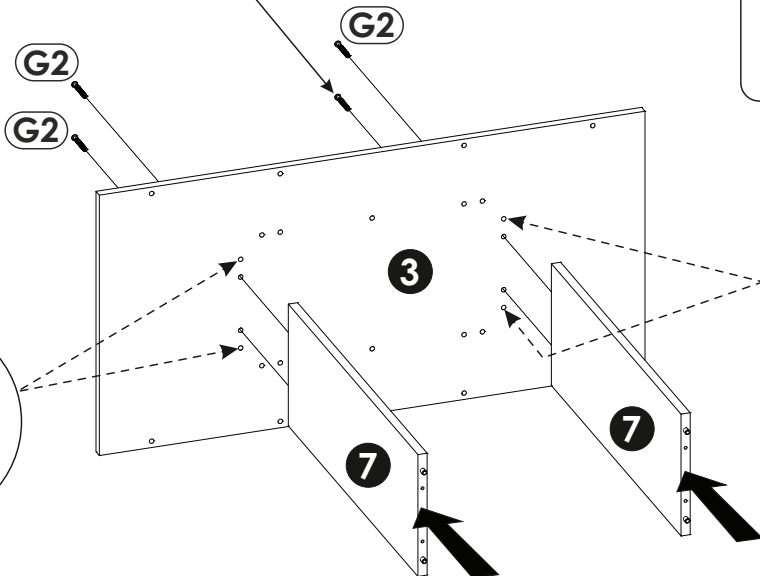
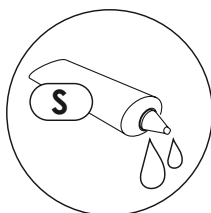
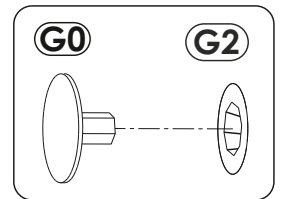
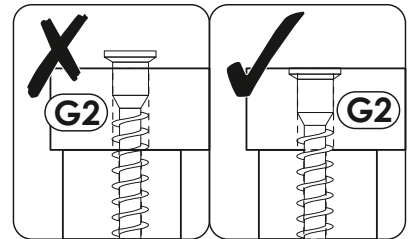
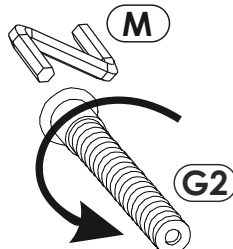
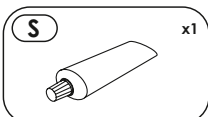
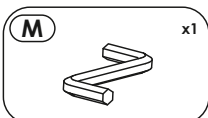
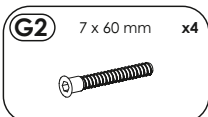
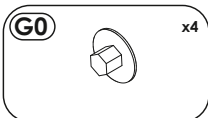
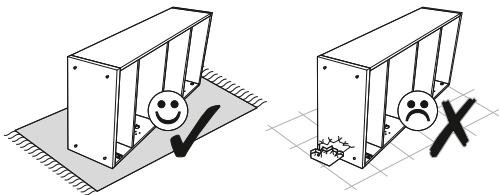
1	800	600	32	x2	2/2
2	800	400	16	x1	2/2
3	470	950	16	x1	1/2
4	83	948	22	x2	1/2
5	900	500	22	x1	1/2
6	620	450	16	x2	1/2
7	620	220	16	x2	1/2



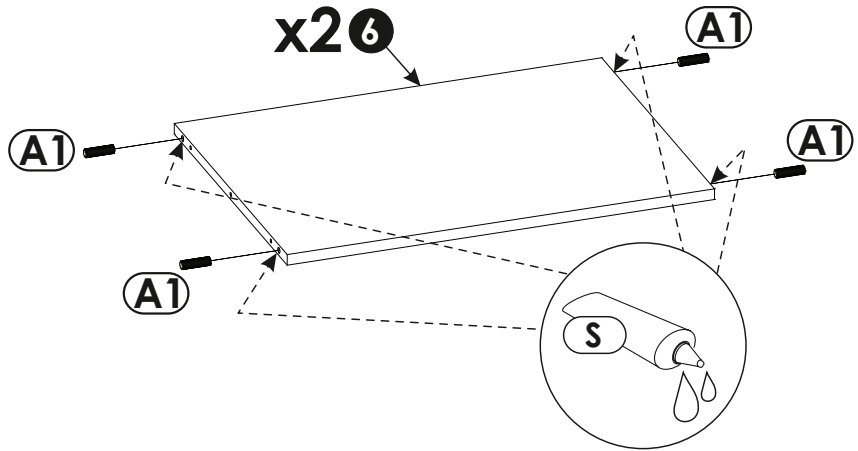
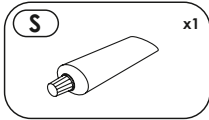
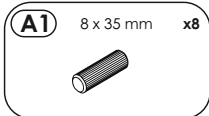
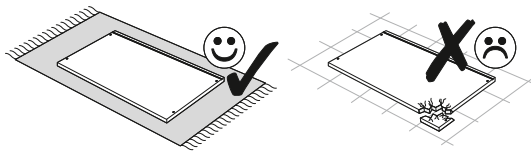
1 ▶



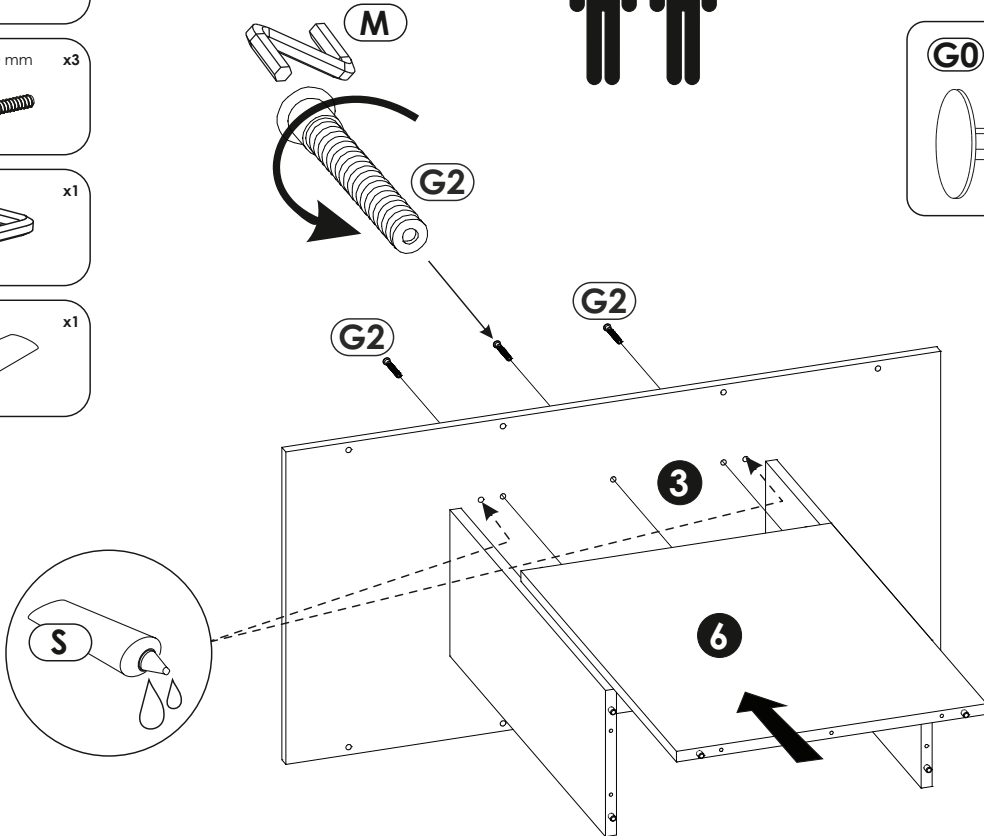
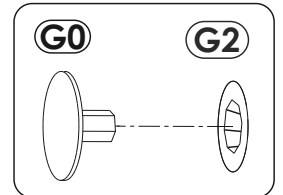
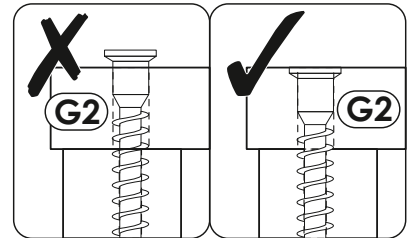
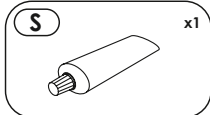
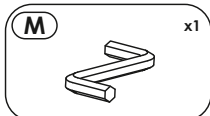
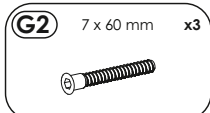
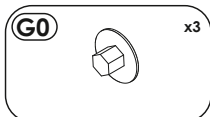
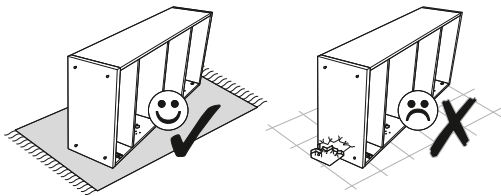
2 ▶



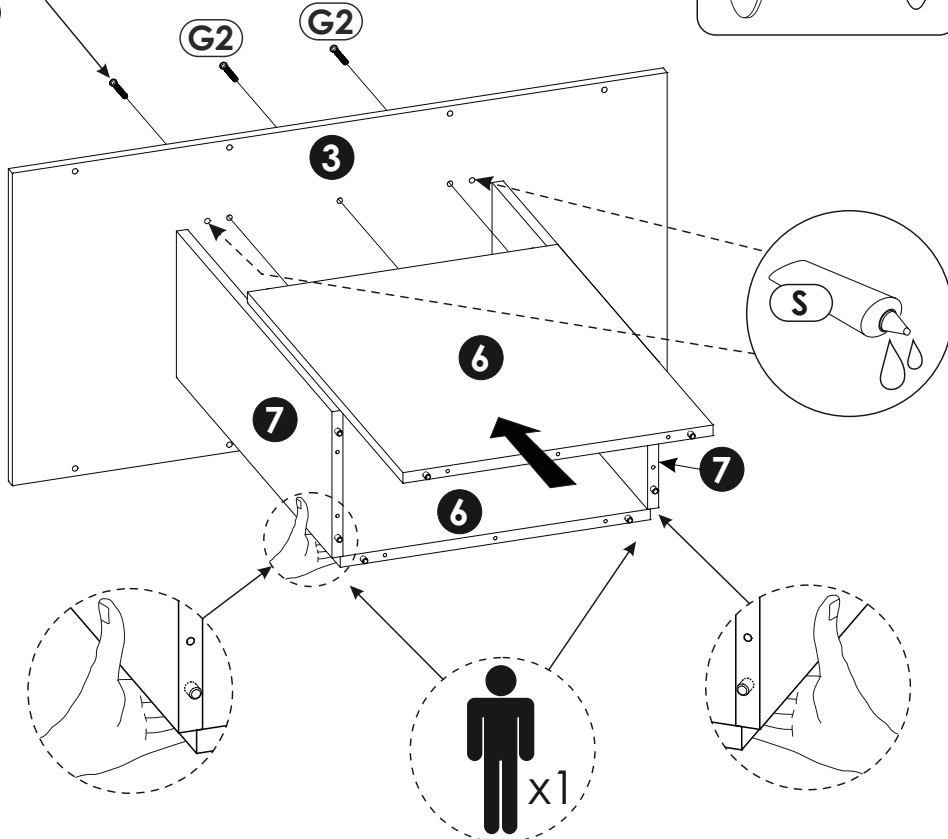
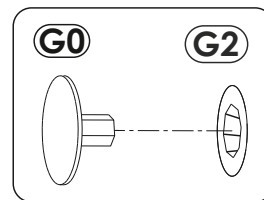
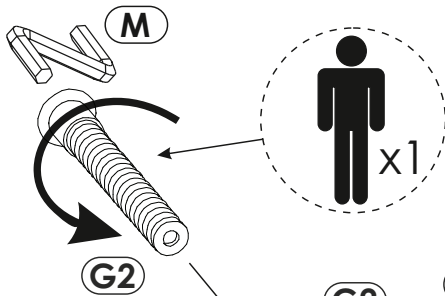
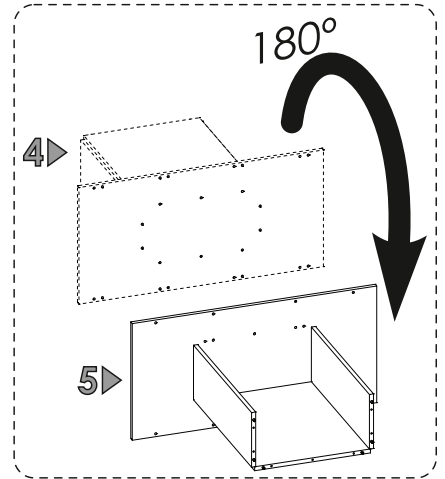
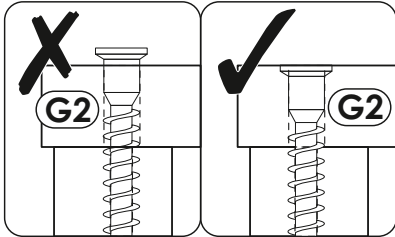
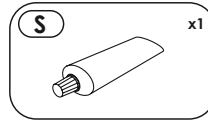
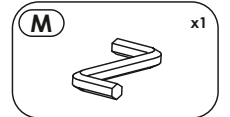
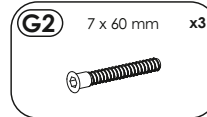
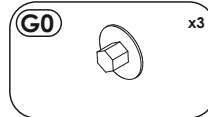
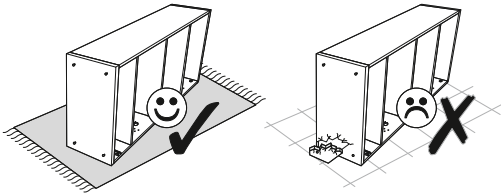
3 ▶



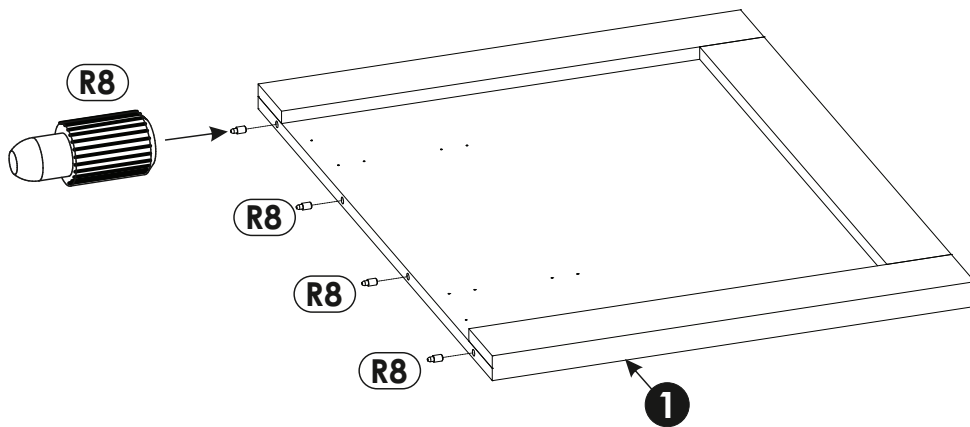
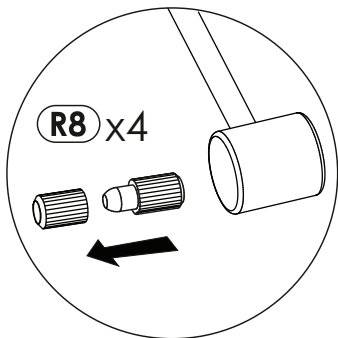
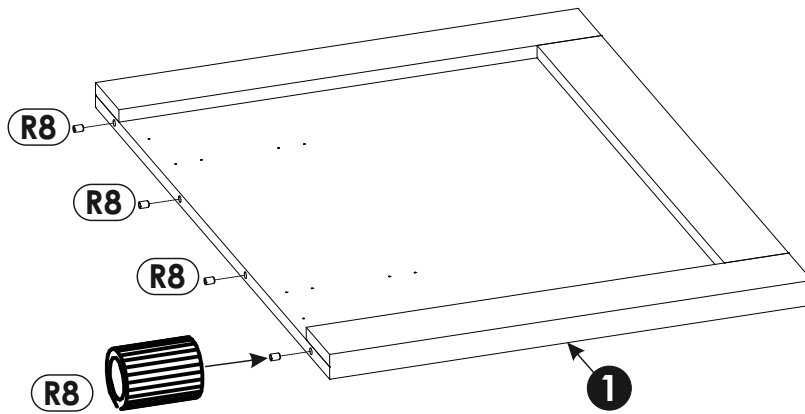
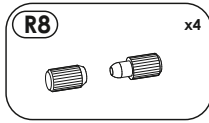
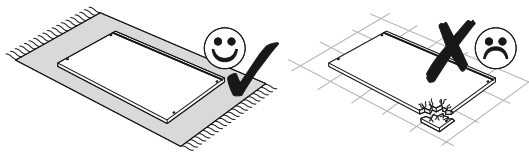
4 ▶



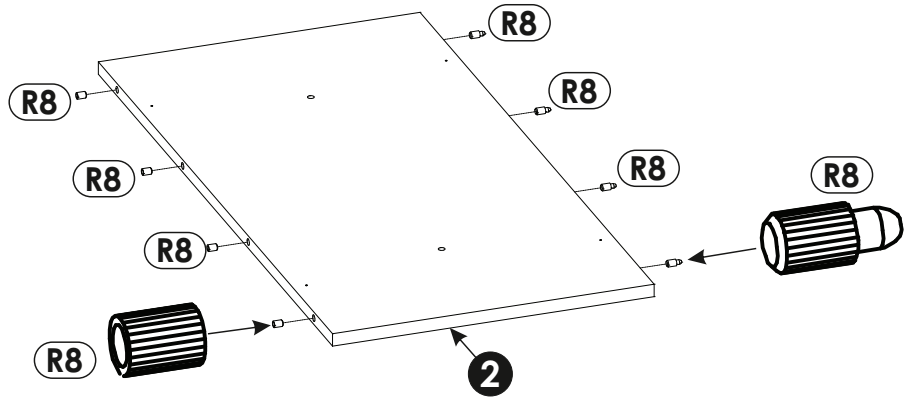
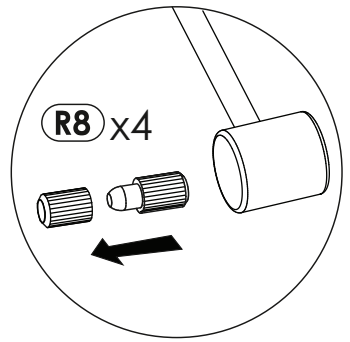
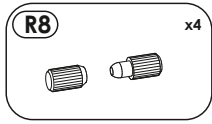
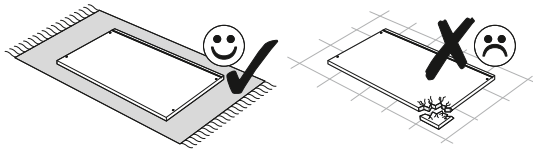
5 ▶



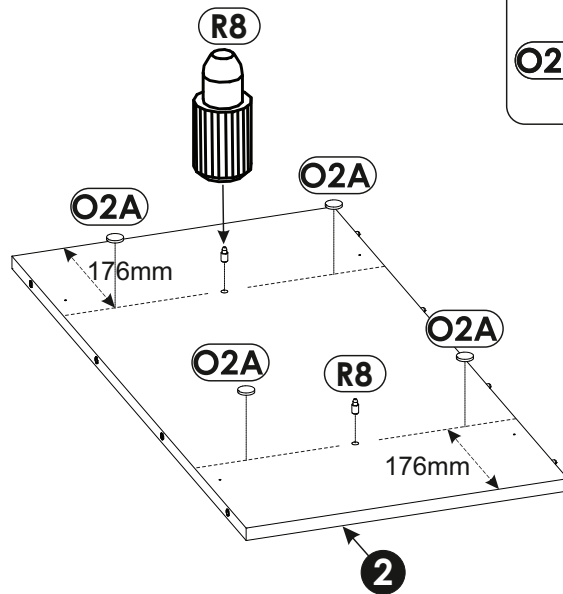
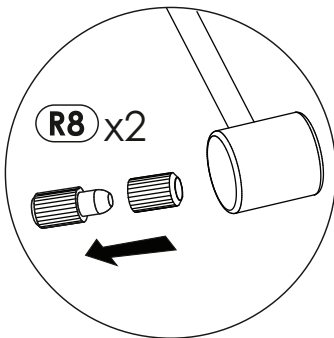
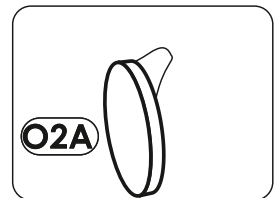
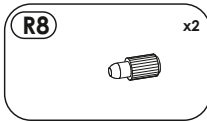
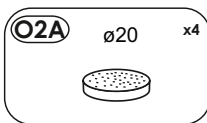
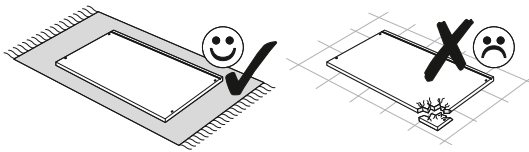
6 ▶



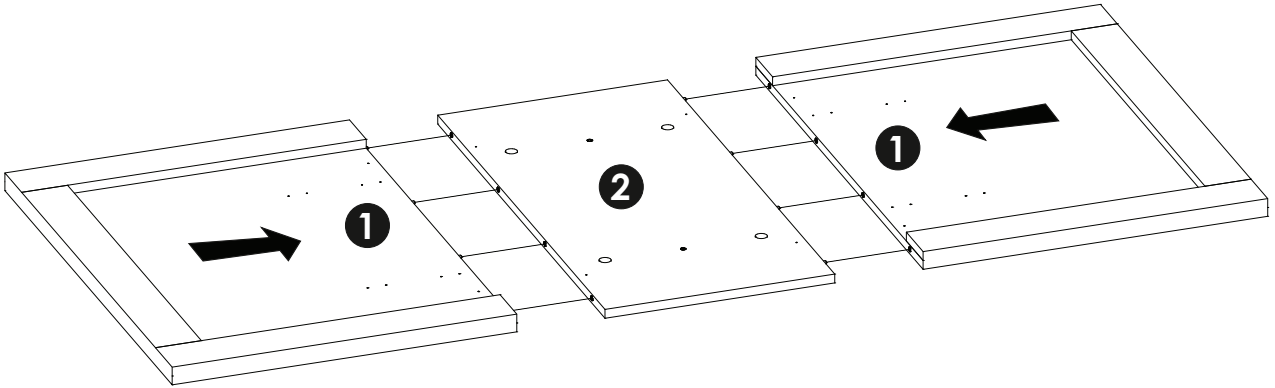
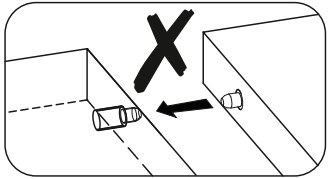
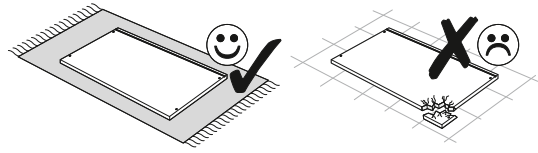
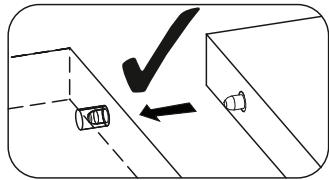
7 ▶



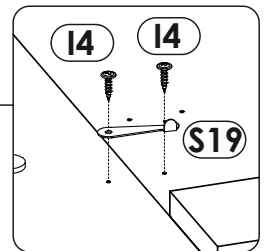
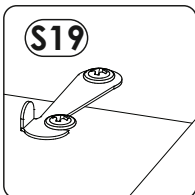
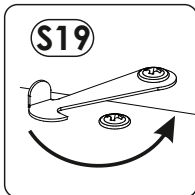
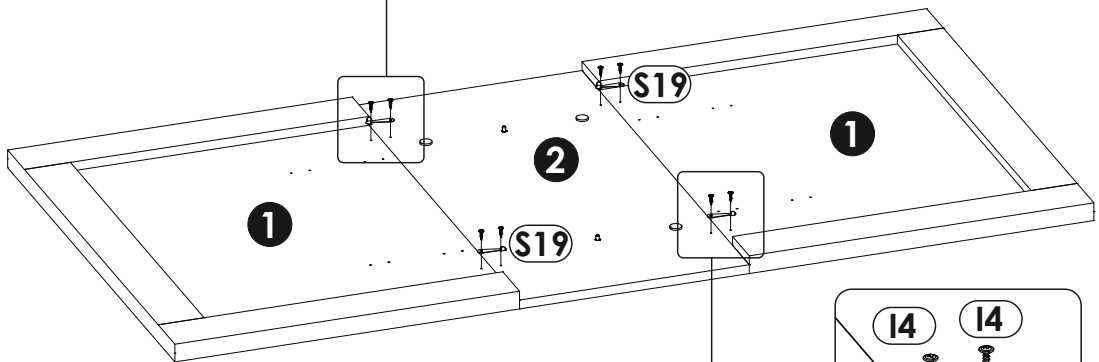
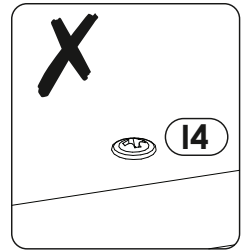
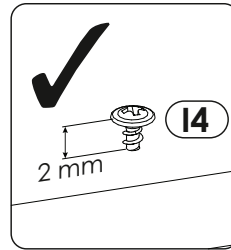
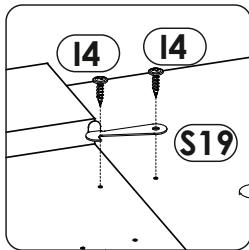
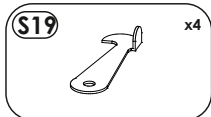
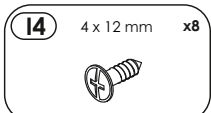
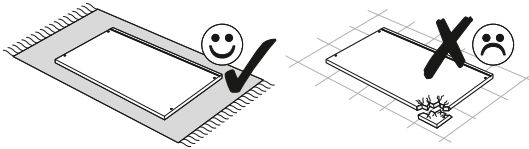
8 ▶



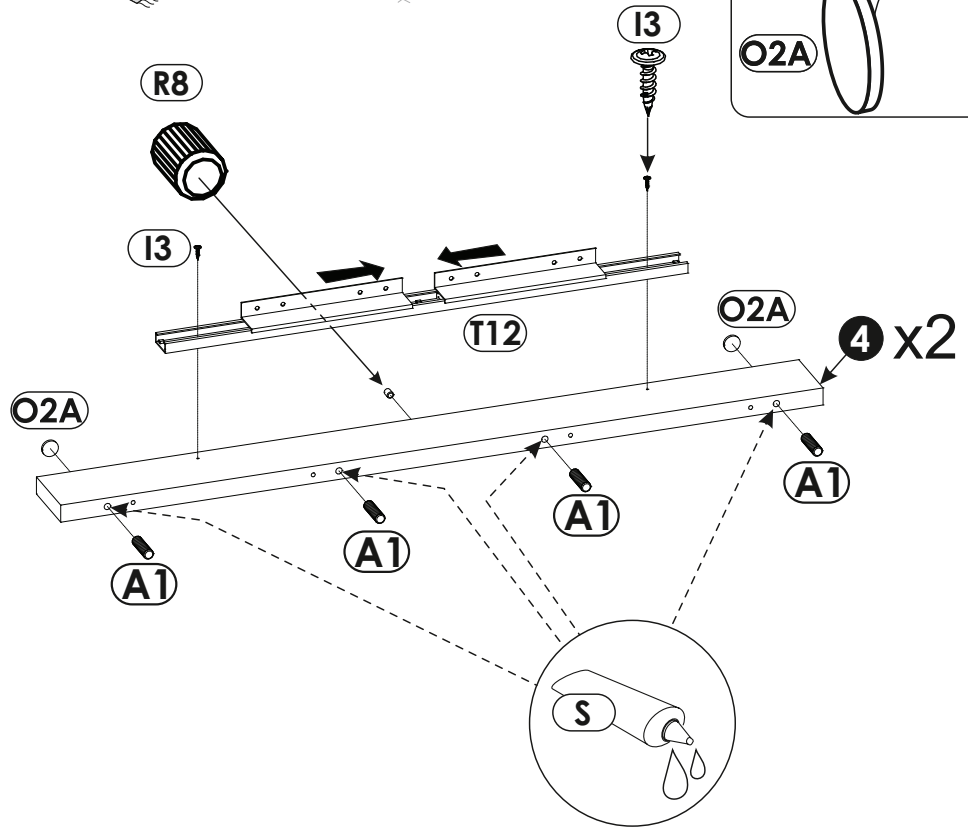
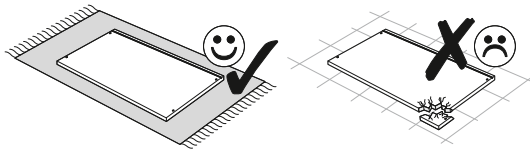
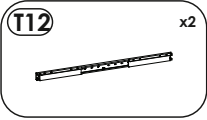
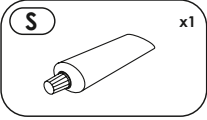
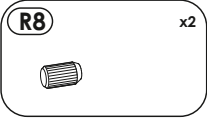
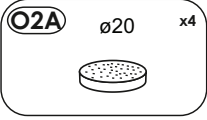
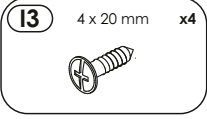
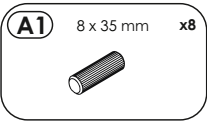
9 ▶



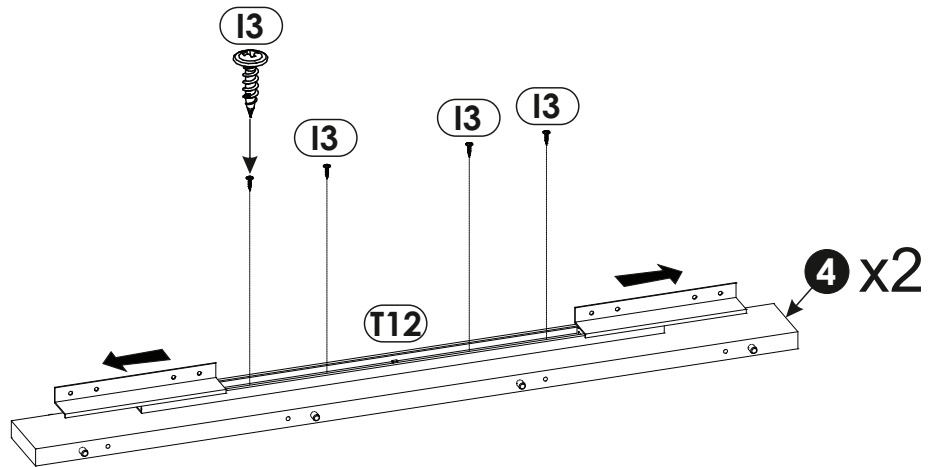
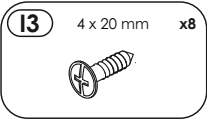
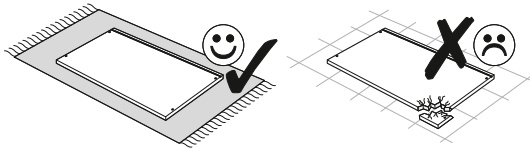
10 ▶



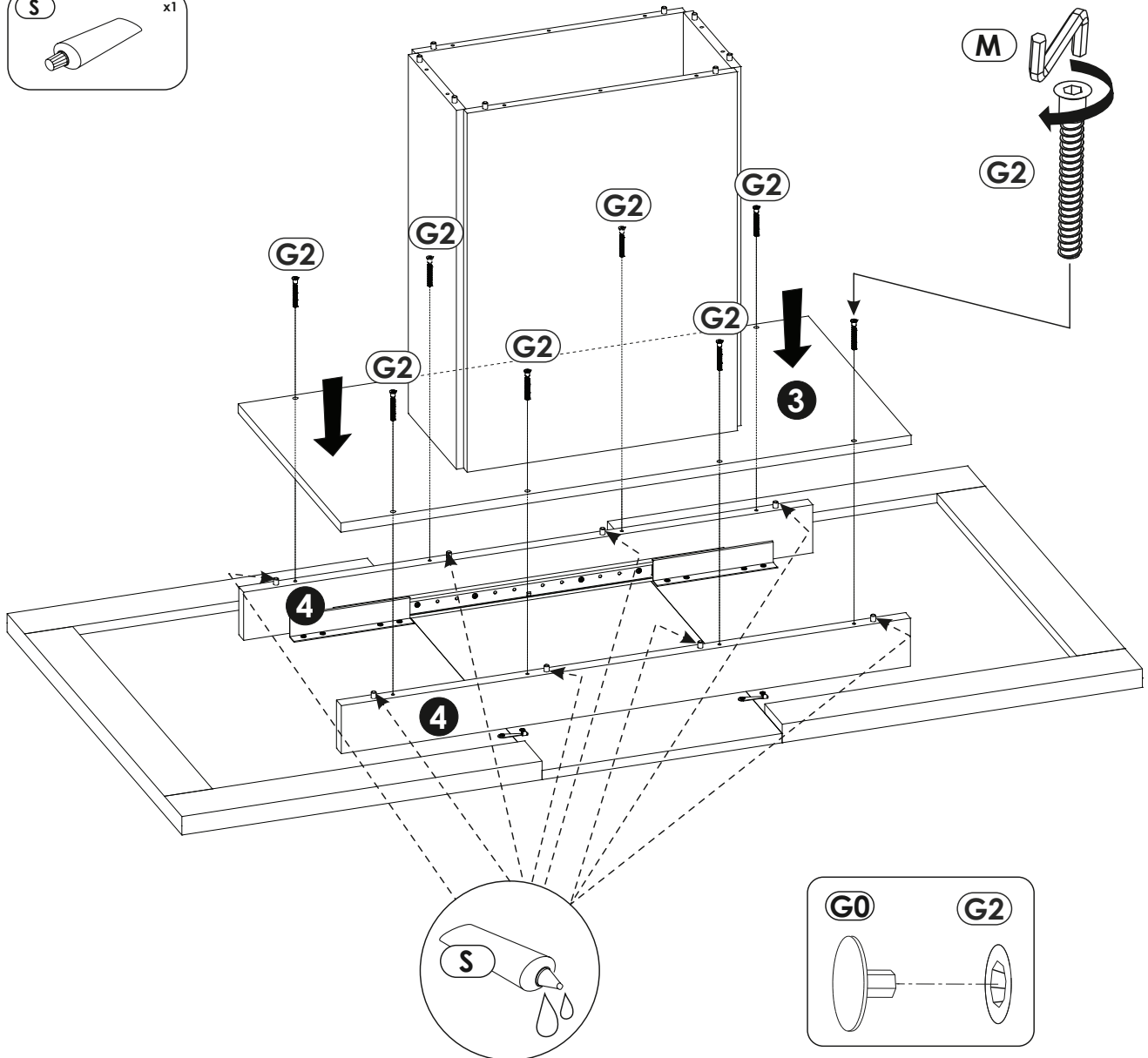
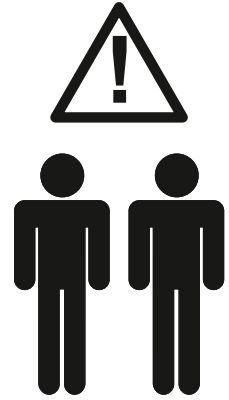
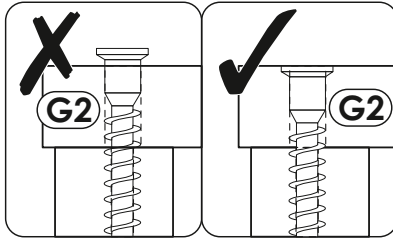
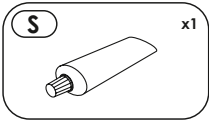
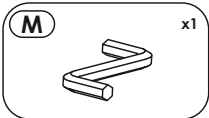
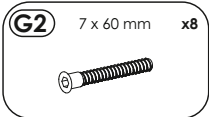
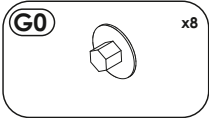
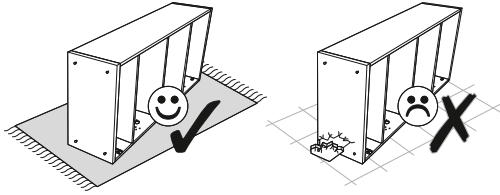
11 ▶



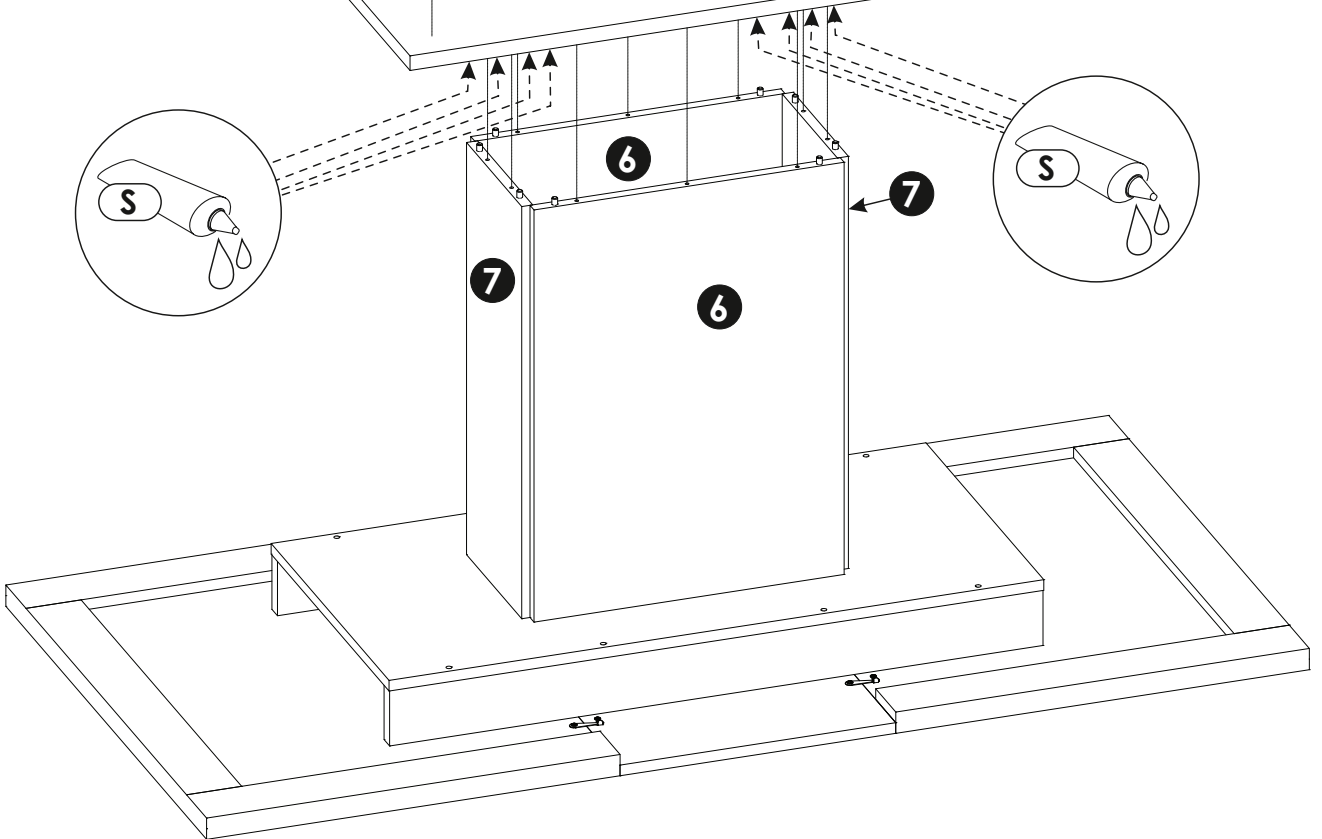
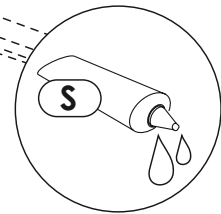
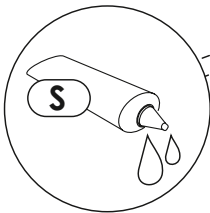
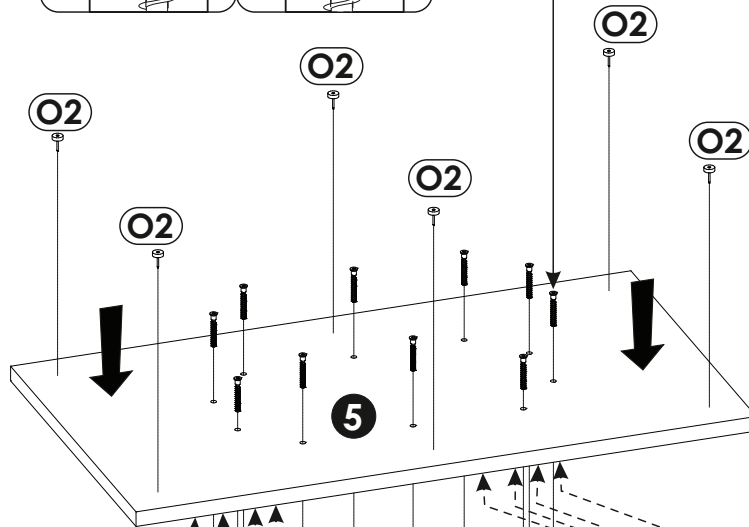
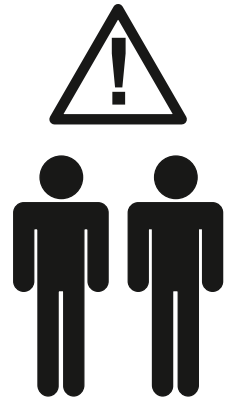
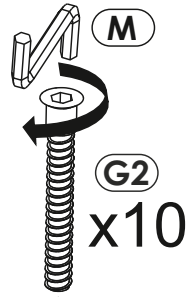
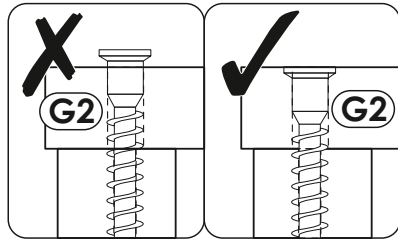
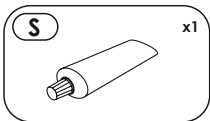
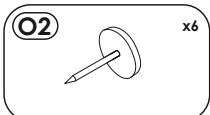
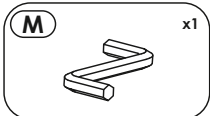
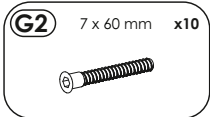
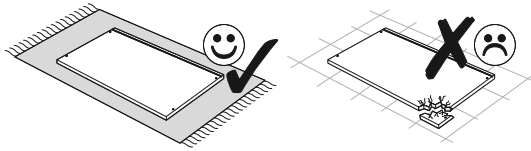
12 ▶



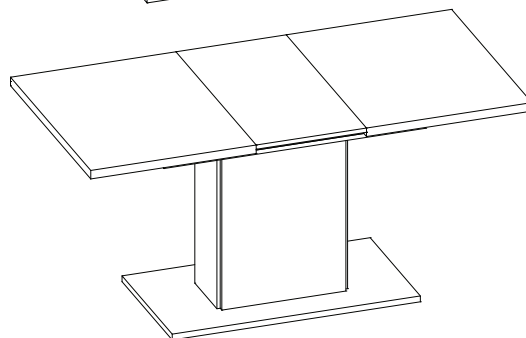
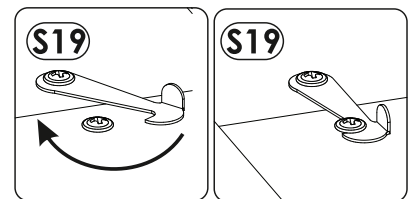
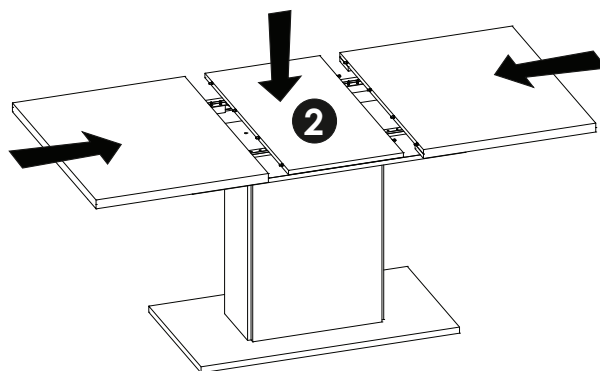
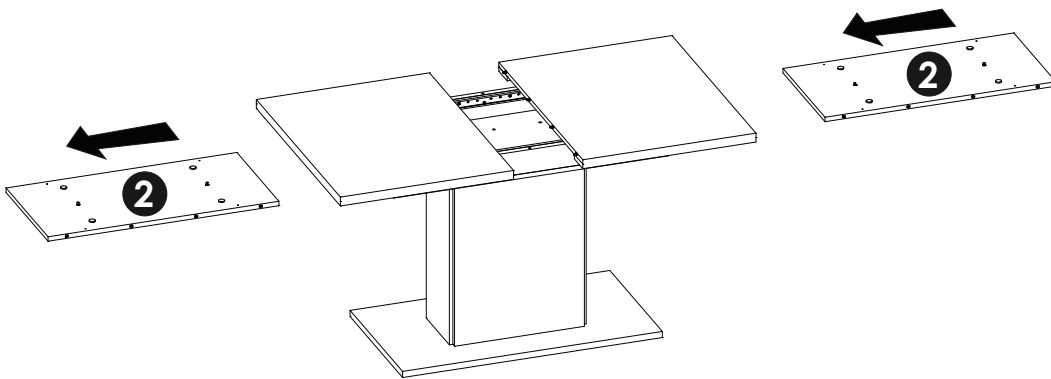
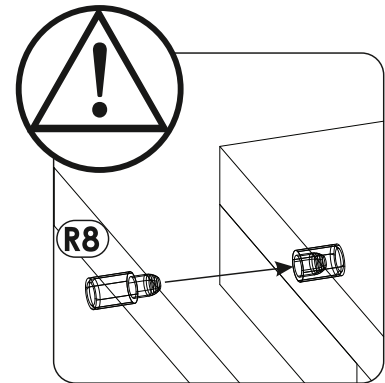
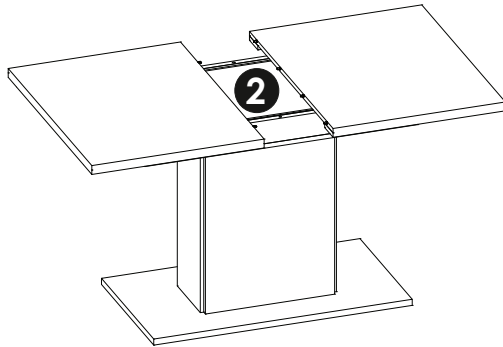
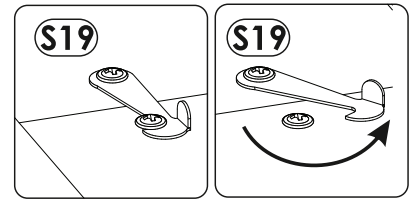
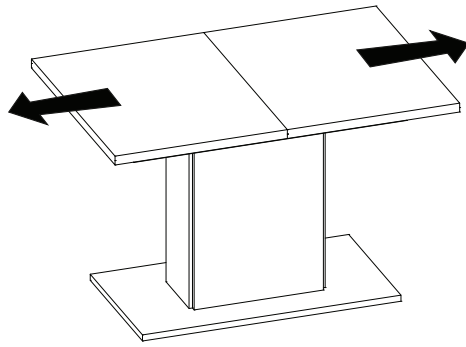
14 ▶



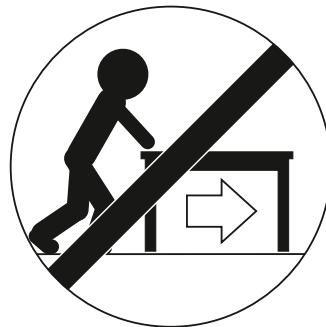
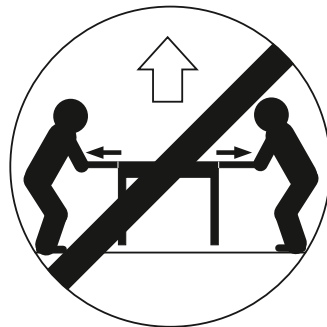
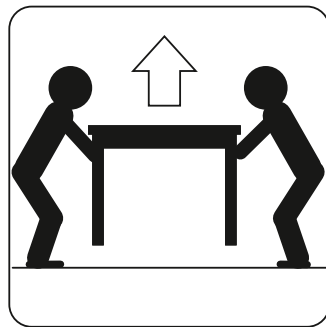
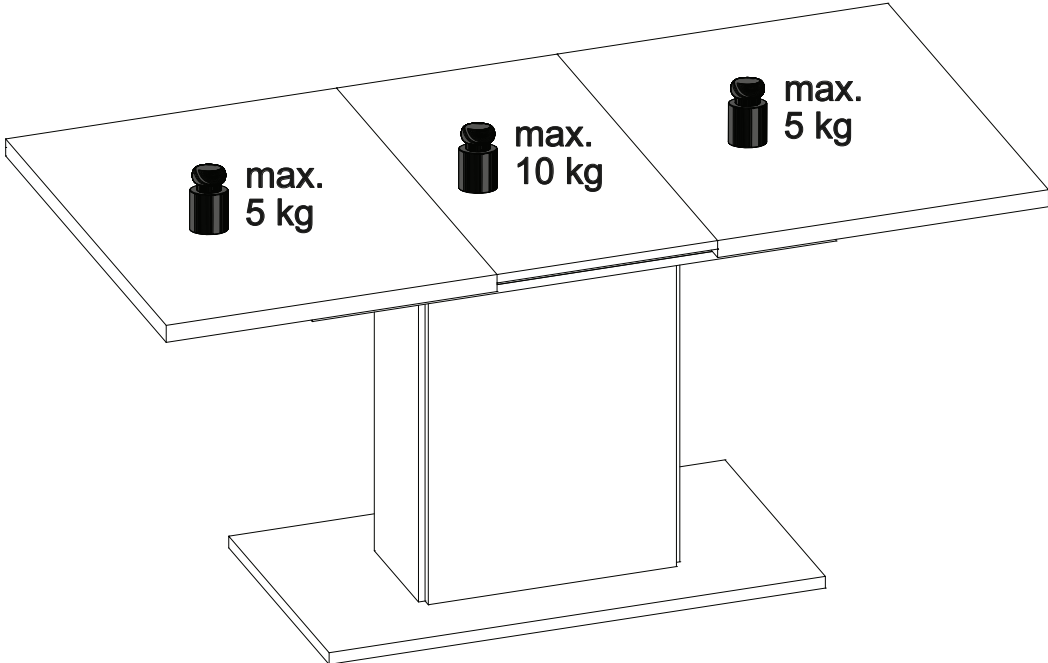
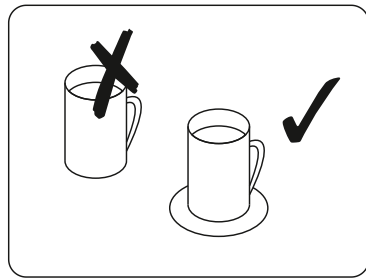
15 ▶

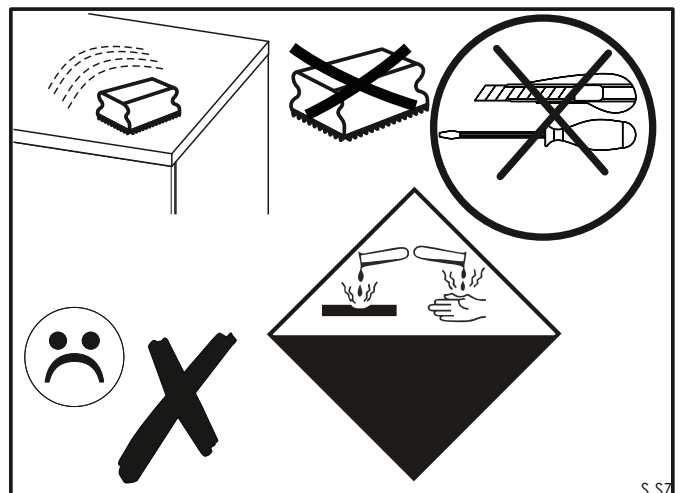
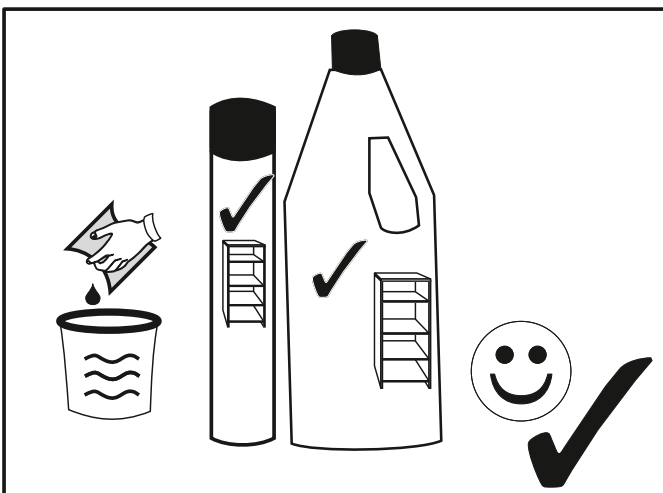
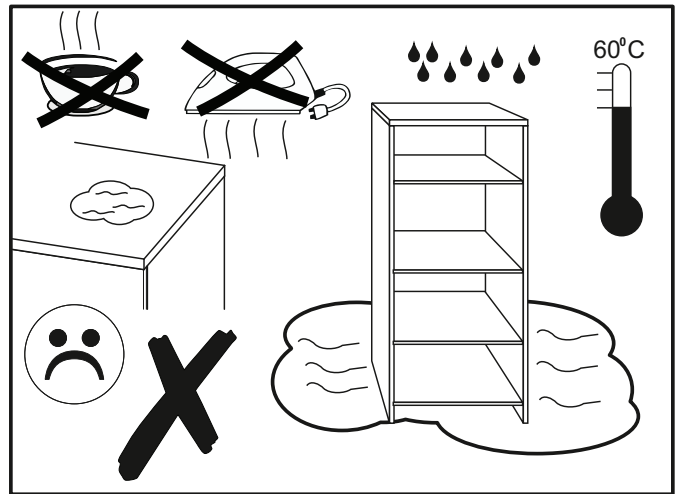
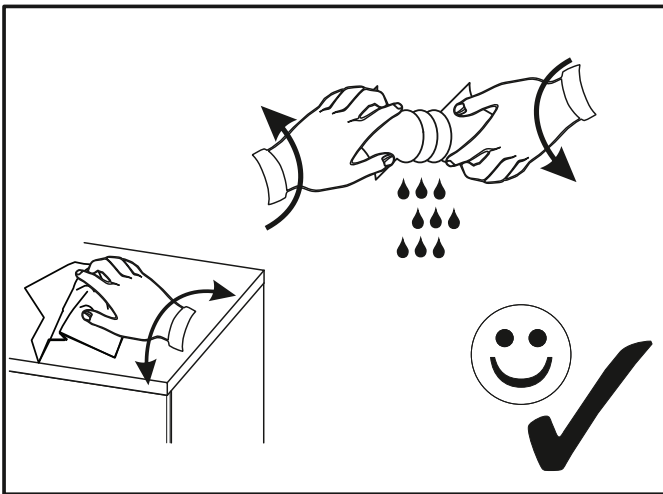
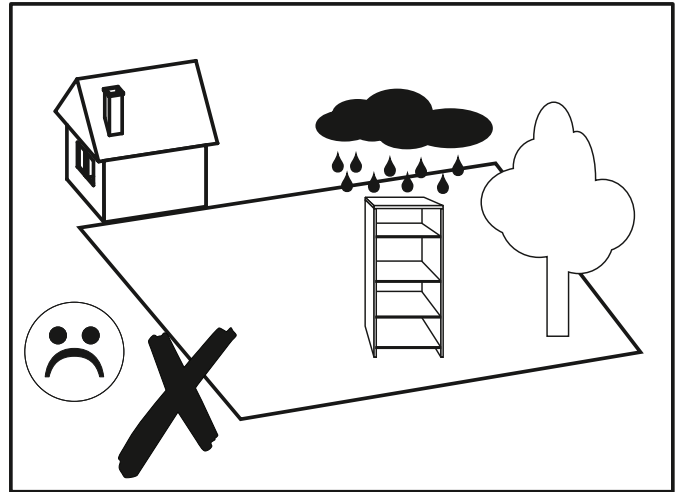
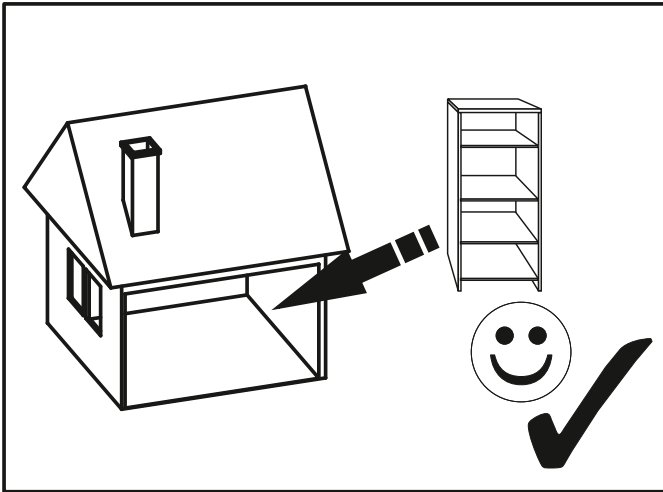


16 ▶

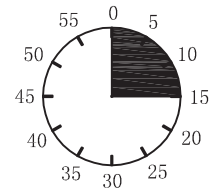
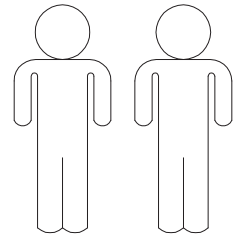
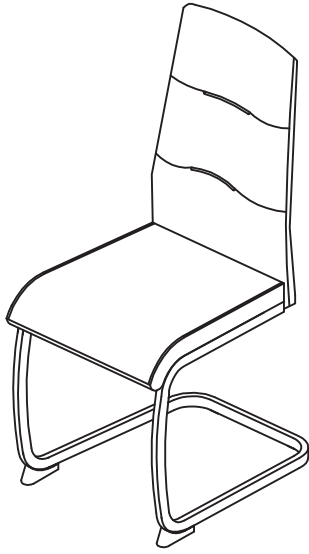


17▶





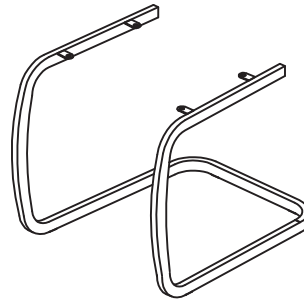
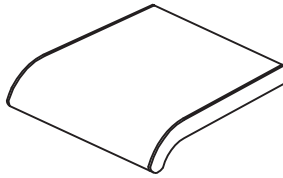
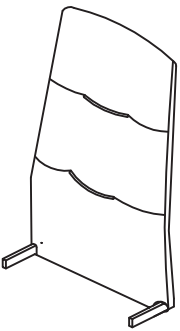
Ria



1

2

3



1	1X
2	1X
3	1X

A

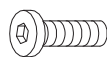
M6*12



4X

B

M6*18



4X

C

Ø18*Ø6.5*1.5



4X

D

M4*20



4X

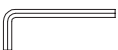
E



2X

F

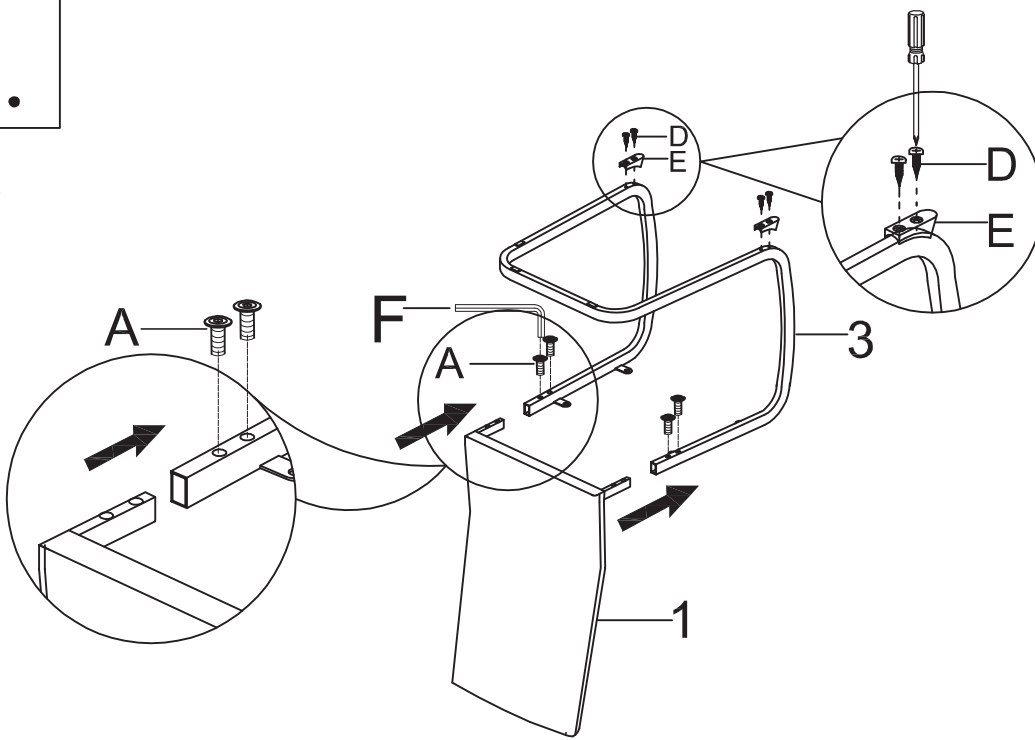
4mm



1X

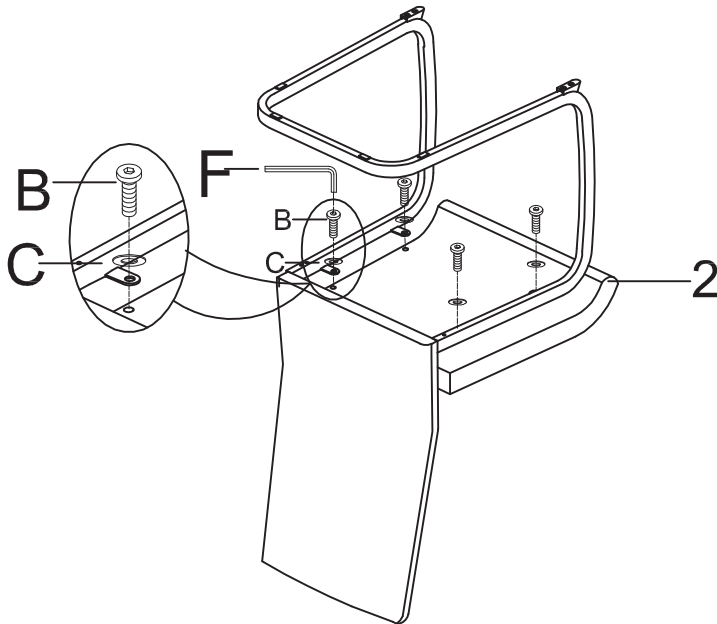
I.

1.



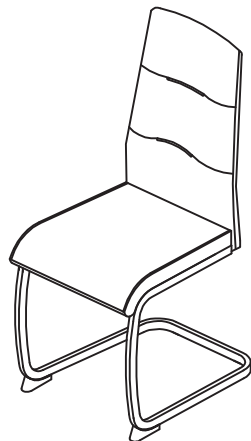
A	M6*12	4X
D	M4*20	4X
E		2X
F	4mm	1X

2.



B	M6*18	4X
C	Ø18*Ø6.5*1.5	4X
F	4mm	1X

3.



F	4mm	1X

